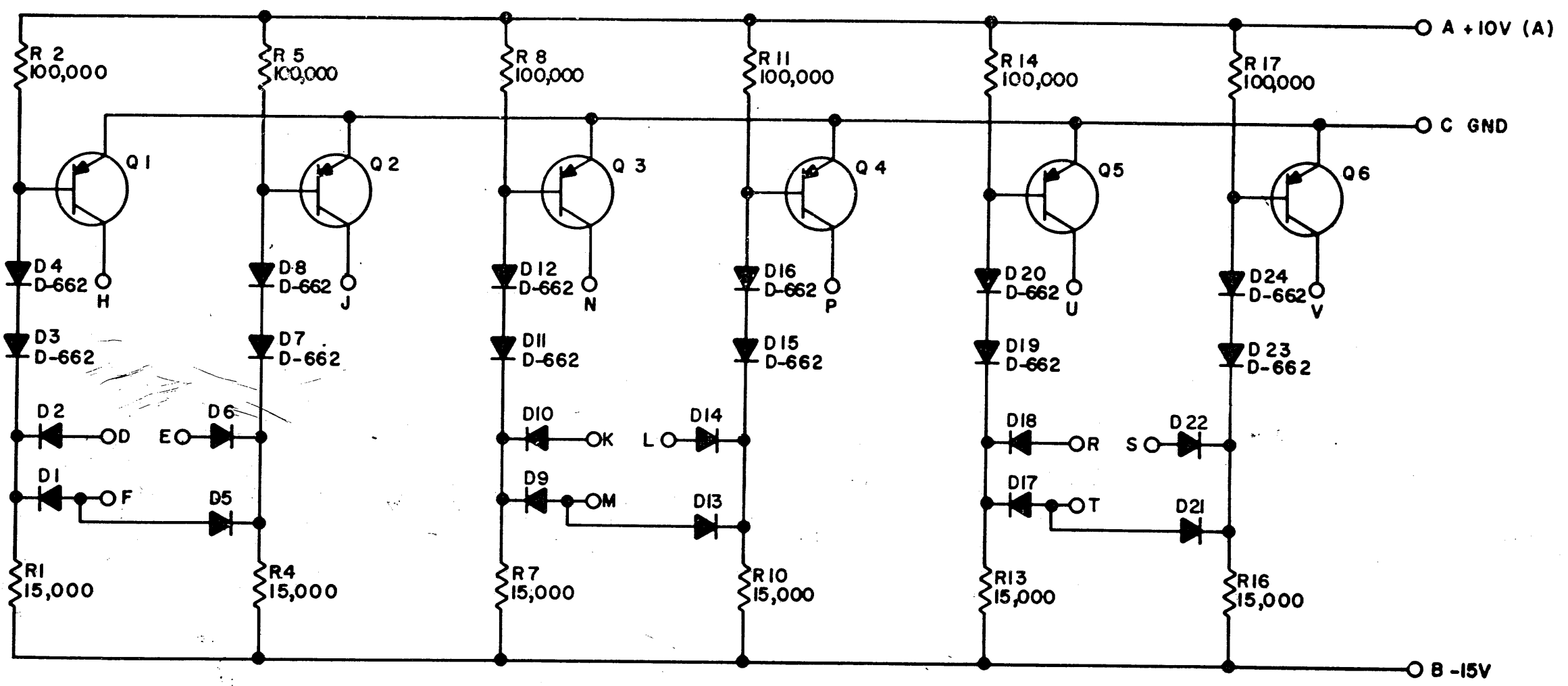


THIS SCHEMATIC IS FURNISHED ONLY FOR TEST AND MAINTENANCE PURPOSES. THE CIRCUITS ARE PROPRIETARY IN NATURE AND SHOULD BE TREATED ACCORDINGLY. COPYRIGHT 1965 BY DIGITAL EQUIPMENT CORPORATION



UNLESS OTHERWISE INDICATED:  
 TRANSISTORS ARE DEC 3639  
 RESISTORS ARE 1/4 W, 5%  
 DIODES ARE D-664

USE THE ETCH BOARD OF W101



REVISIONS CHK CHG NO. REV. DAW 4864 1 REV. B REDR. R123 5644 B R123 5676	DRN. I. HAHN	DATE 4-20-65	TRANSISTOR & DIODE CONVERSION CHART		<b>digital</b> EQUIPMENT CORPORATION MAYNARD, MASSACHUSETTS	TITLE DIODE GATE R123			
	CHK'D R. SILVERMAN	DATE 4-21-65	DEC	EIA		SIZE B	CODE CS	NUMBER R123-0-1	REV. B
	ENG. E. DECASTRO	DATE 4-21-65	DEC 3639	2N3639					
	PROD.	DATE	D662	1N645					
			D664	1N3606					
PRINTED CIRCUIT REV. B									