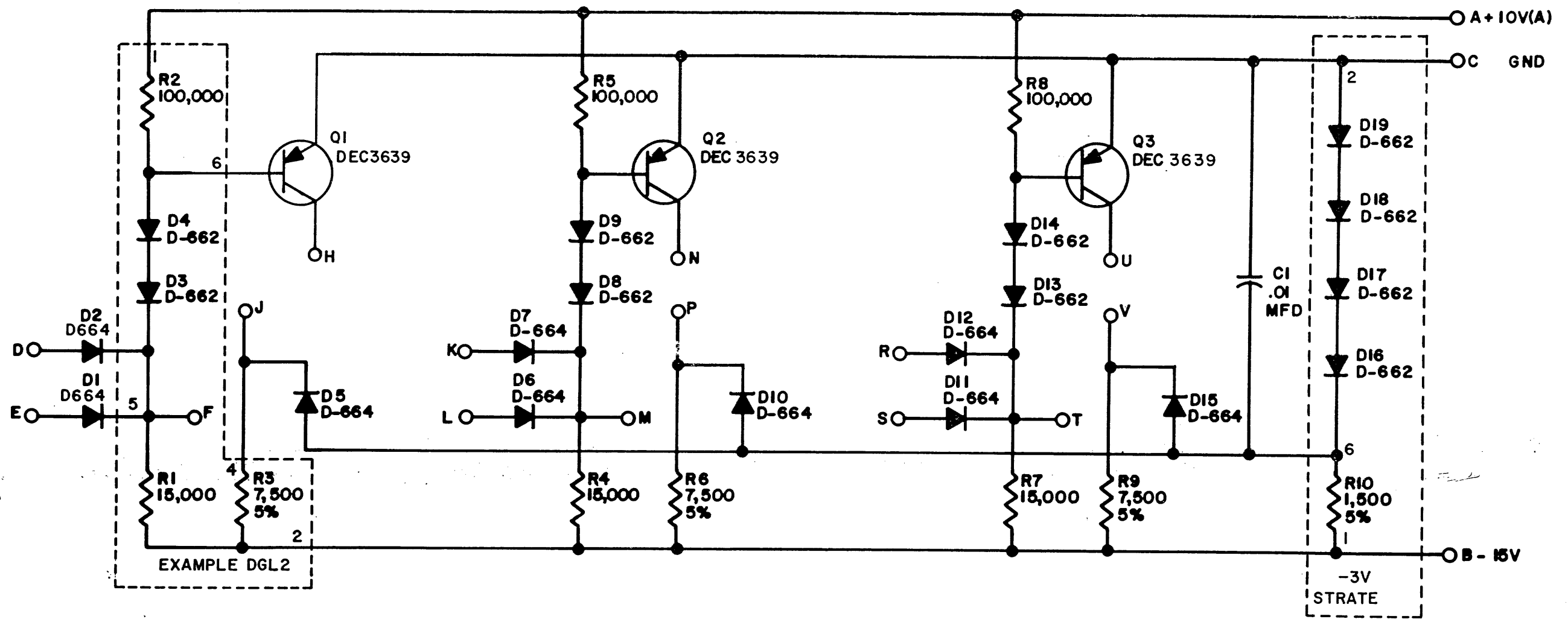
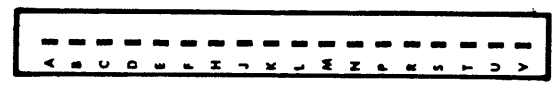


THIS SCHEMATIC IS FURNISHED ONLY FOR TEST AND MAINTENANCE PURPOSES. THE CIRCUITS ARE PROPRIETARY IN NATURE AND SHOULD BE TREATED ACCORDINGLY. COPYRIGHT 1964 BY DIGITAL EQUIPMENT CORPORATION



UNLESS OTHERWISE INDICATED:
RESISTORS ARE 1/4W; 5%
PRINTED CIRCUIT REV. FOR
DGL BOARD IS SIB



REVISIONS	CHK CHG NO. REV.	I	DRN. H PORTER DATE 5-15-64	TRANSISTOR & DIODE CONVERSION CHART				digital EQUIPMENT CORPORATION MAYNARD, MASSACHUSETTS	TITLE DIODE GATE RIII				
	DAW 4756			CHK'D	DEC	EIA	DEC		EIA	SIZE	CODE	NUMBER	REV.
	REV. & REDR.	D		N. PERRYMAN	DEC3639	2N3639				B	CS	RIII-0-1	F
	REV. 5378	D		ENG. R. BANK	D662	IN645							
		PROD.	DATE	D664	IN3606								