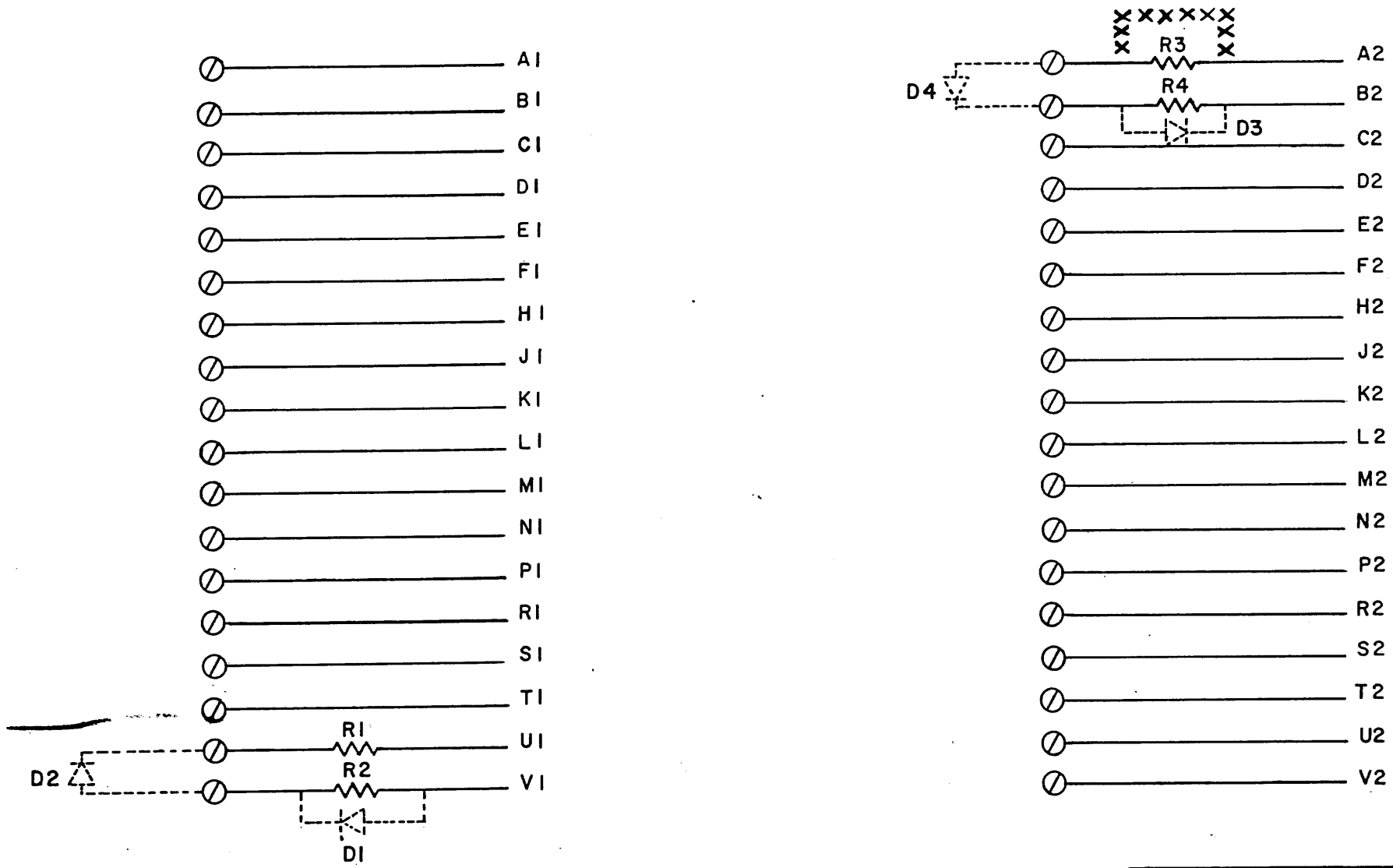


THIS SCHEMATIC IS FURNISHED ONLY FOR TEST AND MAINTENANCE PURPOSES. THE CIRCUITS ARE PROPRIETARY IN NATURE AND SHOULD BE TREATED ACCORDINGLY. COPYRIGHT 1970 BY DIGITAL EQUIPMENT CORPORATION



NOTE:

1. DOTTED LINES INDICATE YA VERSION ONLY. R4 & R2 ARE DELETED IN THE YA VERSION.
2. X LINES INDICATE YB VERSION ONLY. R3 IS REPLACED BY JUMPER.

M957-YB	R3=0 Ω R1=10 Ω 1/4W 5%	10 1/4W 5%
M957-YA	1K 1/8W 1% MF	D664
M957	10 1/4W 5%	10 1/4W 5%
VARIATION	R1 & R3	D1, D2, D3, D4 R2 & R4

REVISIONS CHK CHG NO. REV. 1 00001 A 2 00002 B 3 00003 C B. J. Miller 10-2-72 F. STRAIGHT F. S. Miller 10-2-72 1 00004 D R. CARNEY R. Carney 10-5-72 1 00005 E Beasley 12-8-72 CARNEY [Signature]	DRN [Signature] DATE 10/21/70	TRANSISTOR & DIODE CONVERSION CHART DEC EIA DEC EIA				digital EQUIPMENT CORPORATION MAYNARD, MASSACHUSETTS	TITLE CABLE CONNECTOR M957			
	CHK'D M. Waller DATE 10/27/70	DATE 10/20/70						SIZE B CODE CS NUMRFD M957-0-1	REV. E	
	ENG V. Bontoni DATE 10/20/70	DATE						PRINTED CIRCUIT REV. C		
	PROD.	DATE								

DIS 324,434,435 2 4 PINK -