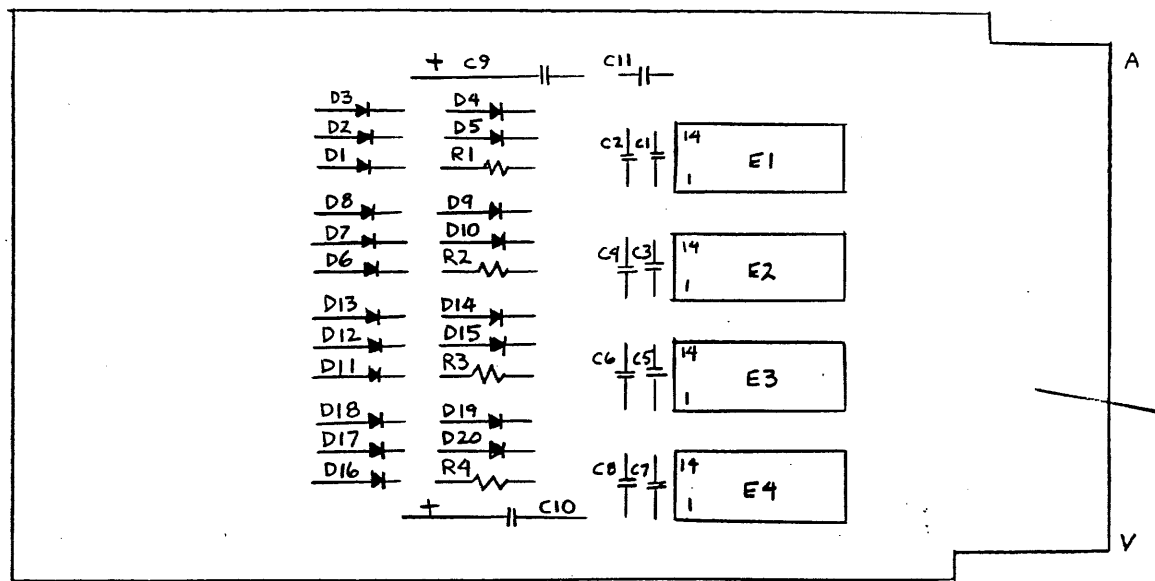
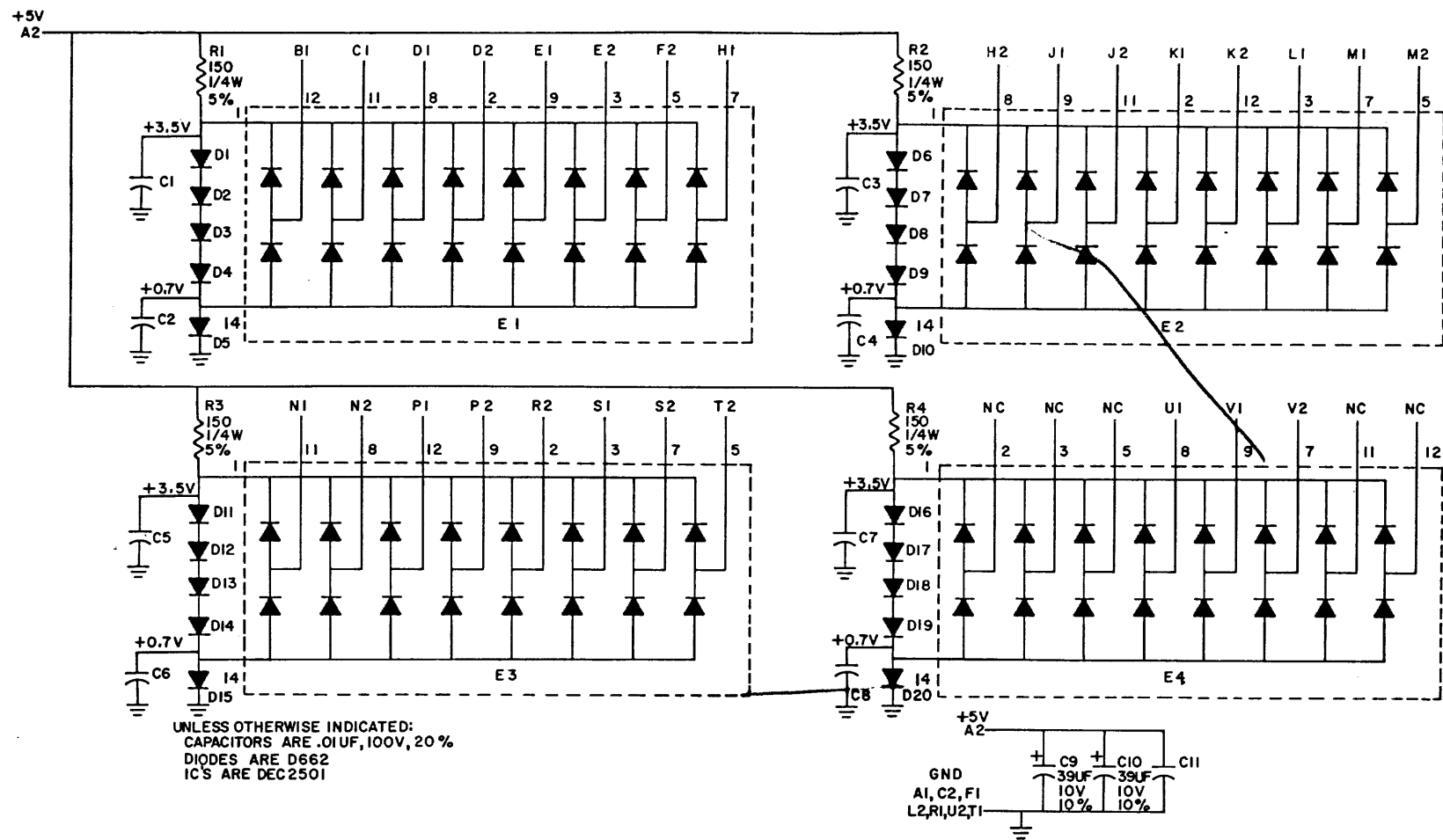


THIS SCHEMATIC IS FURNISHED ONLY FOR TEST AND MAINTENANCE PURPOSES. THE CIRCUITS ARE PROPRIETARY IN NATURE AND SHOULD BE TREATED ACCORDINGLY. COPYRIGHT 1970 BY DIGITAL EQUIPMENT CORPORATION



ITEM NO.	DEC PART NO.	DESCRIPTION	QTY.
11	9008337-06	HANDLE, FLIP CHIP - MAGENTA	1
10	9006732	EYELET #GS 4-7	2
9	1910010	I.C. DEC 2501	4
8	1300250	RES. 150, 1/4W, 5%	4
7	1100113	DIODE D662	20
6	1001610	CAP. .01UF, 100V, 20% DISC	9
5	1000076	CAP. 39UF, 10V, 10% S. TANT	2
4	5009291	ETCHED CIRCUIT BOARD	1
3	B-MH-M952-0-6	MODULE ECO HISTORY	
2	C-AH-M952-0-5	ASSY/DRILLING HOLE LAYOUT	
1	K-CO-M952-0-4	X-Y COORDINATE HOLE LOCATION	
PARTS LIST			

REV.	CHG NO	REV	B

DRN: A. Cooper
DATE: 11/13/70
CHK'D: [Signature]
DATE: 12-28-70
ENG: [Signature]
DATE: 12-28-70
PROC: [Signature]

TRANSISTOR & DIODE CONVERSION CHART			
DEC	EIA	DEC	EIA
D662	IN645		

digital
EQUIPMENT CORPORATION
MAYNARD, MASSACHUSETTS

TITLE: LEVEL TERMINATOR M952
SIZE: C
CODE: CS
NUMBER: M952-0-1
REV. B

115985

REV. B
C CS M952-0-1