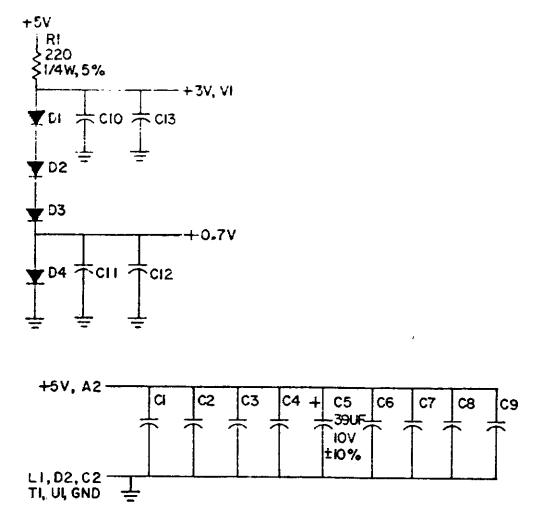
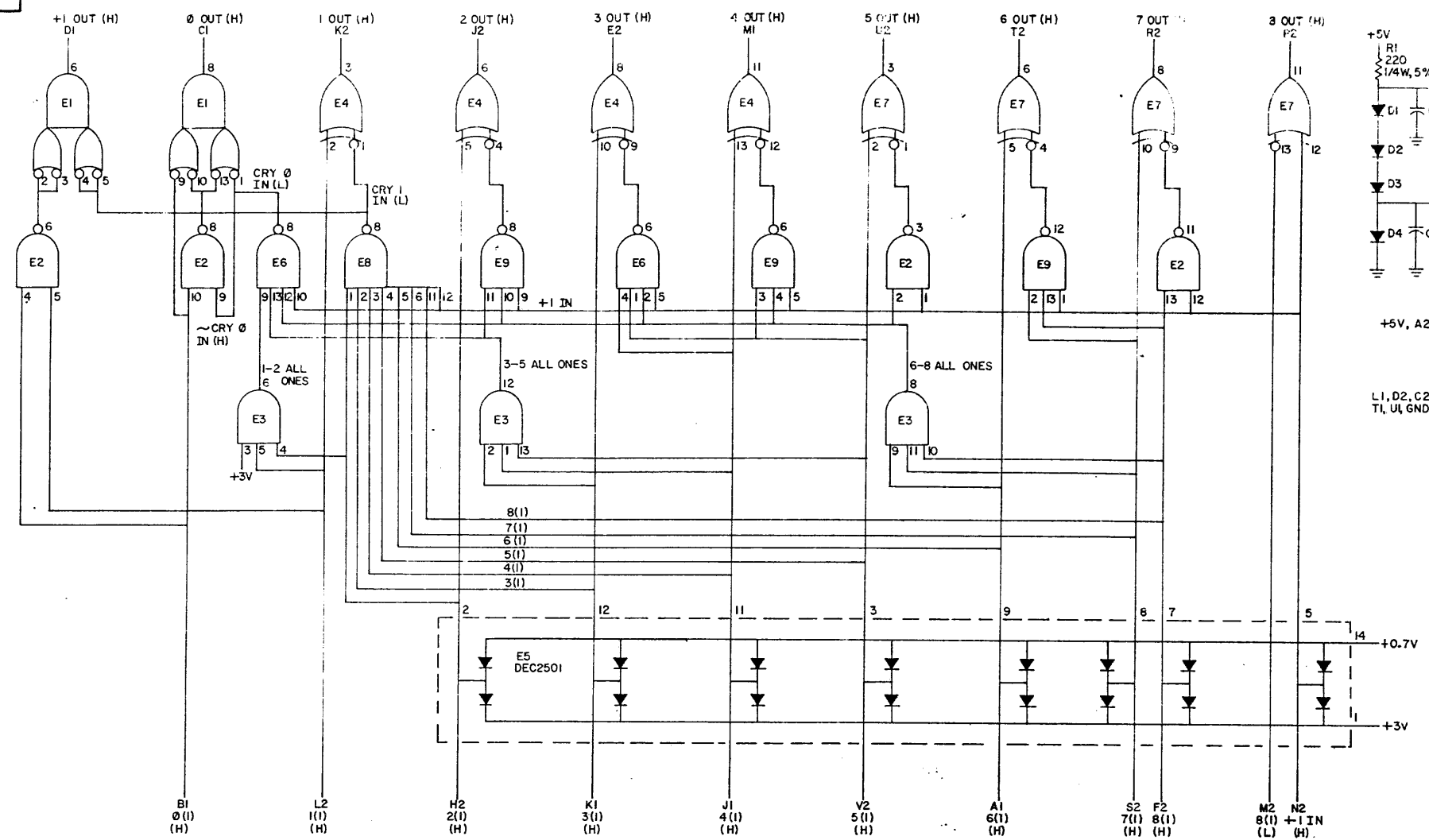
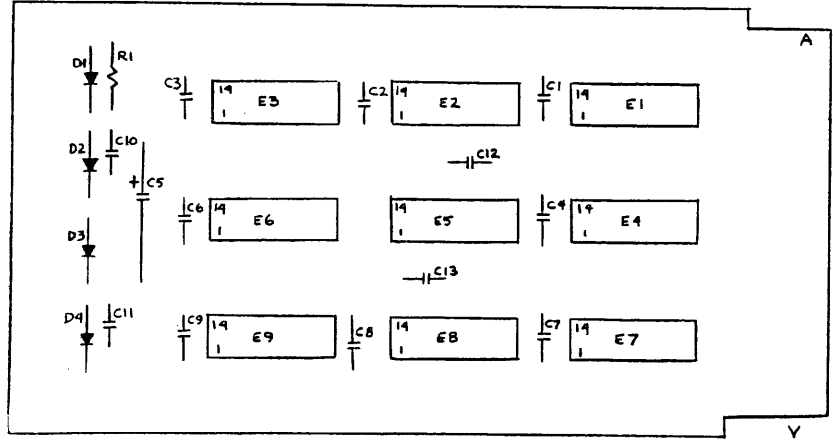


THIS SCHEMATIC IS FURNISHED ONLY FOR TEST AND MAINTENANCE PURPOSES. THE CIRCUITS ARE PROPRIETARY IN NATURE AND SHOULD BE TREATED ACCORDINGLY. COPYRIGHT 1970 BY DIGITAL EQUIPMENT CORPORATION.

3 1-0-991W S3 C
 000 2/15



UNLESS OTHERWISE INDICATED:
 CAPACITORS = .01UF, 100V, 20%
 DIODES = D662
 E1 = DEC1074H50
 E2 = DEC1074H00
 E3 = DEC1074H11
 E4, E7 = DEC3022
 E5 = DEC2501
 E6 = DEC1074H20
 E8 = DEC1074H30
 E9 = DEC1074H10
 PIN 7 GND ON E1-E4, E6-E9
 PIN 14 +5V



QTY.	DESCRIPTION	NUMBER	REV.
16	9008337-06	HANDLE, FLIP CHIP - MAGENTA	1
17	9006732	EYELET #GS 4-7	2
16	1910269	I.C. DEC 3022P	2
15	1910011	I.C. DEC 2501	1
14	1910465	I.C. DEC1074H11	1
13	1910512	I.C. DEC1074H50	1
12	1910468	I.C. DEC1074H30	1
11	1910464	I.C. DEC1074H10	1
10	1910462	I.C. DEC1074H00	1
9	1910466	I.C. DEC1074H20	1
8	1300271	RES. 220, 1/4W, 5%	1
7	1100113	DIODE D662	4
6	1001610	CAP. .01UF, 100V, 20% DISC	12
5	1000074	CAP. .39UF, 10V, 10%	1
4	5009387	ETCHED CIRCUIT BOARD	1
3	166-0-1	MODULE ECO HISTORY	
2	166-0-2	ASSY/DRILLING HOLE LAYOUT	
1	166-0-4	X-Y COORDINATE HOLE LOCATION	
		DESCRIPTION	

REV.	DATE	BY	CHKD	DATE	BY	DATE	DATE	DATE	DATE	DATE
1	7/2/70	MMW	MMW	7/2/70	MMW	7/2/70	7/2/70	7/2/70	7/2/70	7/2/70

TRANSISTOR & DIODE CONVERSION CHART			
DEC	EM	DEC	EM
D662	1N645		

REV.	DATE	BY	CHKD	DATE	BY	DATE	DATE	DATE	DATE
1	7/2/70	MMW	MMW	7/2/70	MMW	7/2/70	7/2/70	7/2/70	7/2/70

REV.	DATE	BY	CHKD	DATE	BY	DATE	DATE	DATE	DATE
1	7/2/70	MMW	MMW	7/2/70	MMW	7/2/70	7/2/70	7/2/70	7/2/70

REV. E
 NUMBER M166-0-1
 DATE 2/15