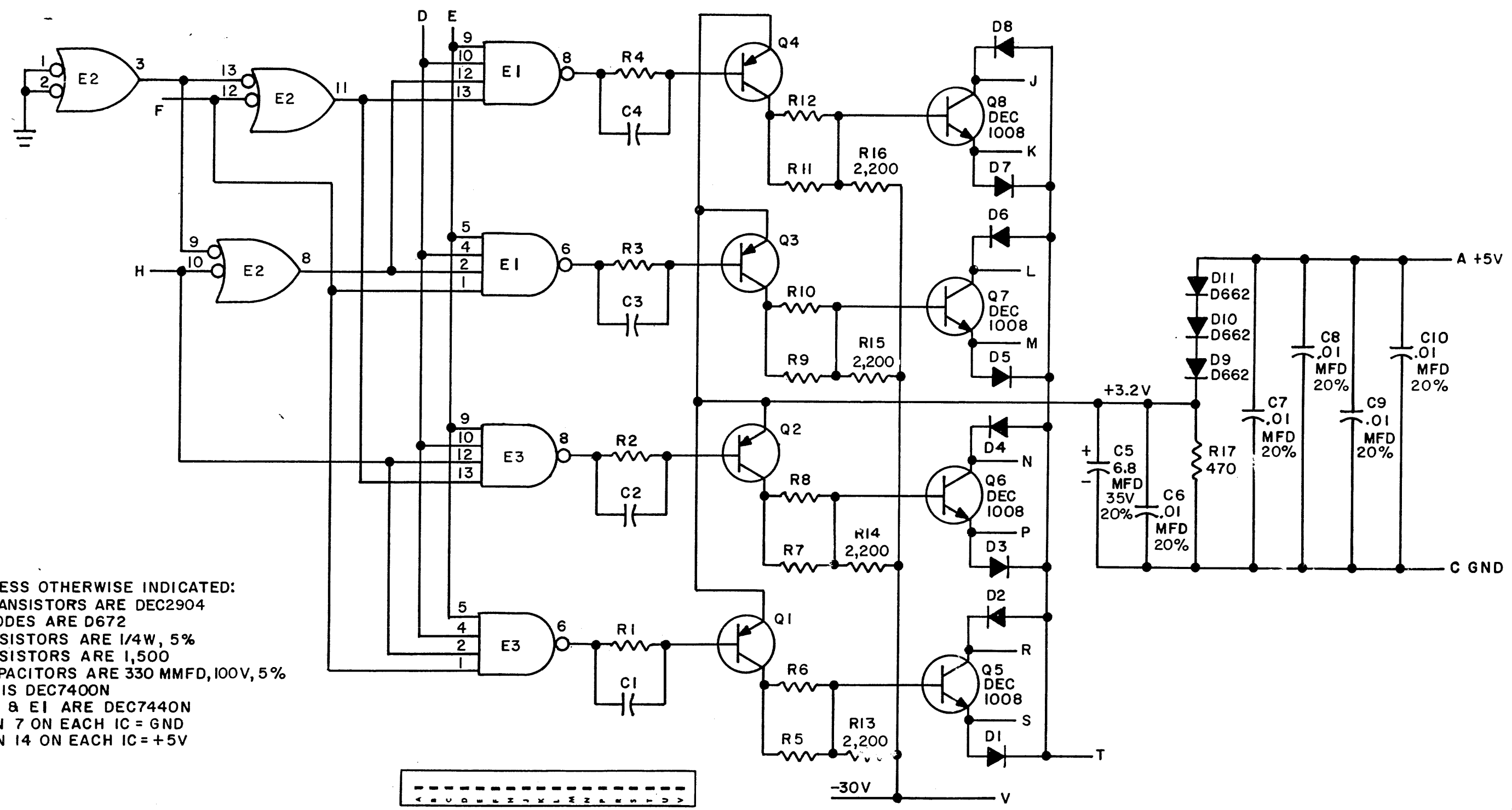


THIS SCHEMATIC IS FURNISHED ONLY FOR TEST AND MAINTENANCE PURPOSES. THE CIRCUITS ARE PROPRIETARY IN NATURE AND SHOULD BE TREATED ACCORDINGLY. COPYRIGHT 1967 BY DIGITAL EQUIPMENT CORPORATION



UNLESS OTHERWISE INDICATED:  
 TRANSISTORS ARE DEC2904  
 DIODES ARE D672  
 RESISTORS ARE 1/4W, 5%  
 RESISTORS ARE 1,500  
 CAPACITORS ARE 330 MMFD, 100V, 5%  
 E2 IS DEC7400N  
 E3 & E1 ARE DEC7440N  
 PIN 7 ON EACH IC = GND  
 PIN 14 ON EACH IC = +5V

PARTS LIST IS A-PL-G221-0-1

REV. NO.	CHK	CHG NO.	REV.
A	6451	6508	B
B		00001	C
C		00004	D

DRN. <i>M. Haller</i>	DATE <i>1-3-67</i>
CHK'D. <i>[Signature]</i>	DATE <i>3-2-67</i>
ENG. <i>V. Sayge</i>	DATE <i>5-15-67</i>
PROD.	DATE

TRANSISTOR & DIODE CONVERSION CHART			
DEC		EIA	
DEC1008		MM1008	
DEC2904		2N2904	
D662		IN645	
D672		IN3653	

**digital**  
 EQUIPMENT CORPORATION  
 MAYNARD, MASSACHUSETTS

TITLE MEMORY SELECTOR G221			
SIZE B	CODE CS	NUMBER G221-0-1	REV. D
PRINTED CIRCUIT REV. <b>B</b>			