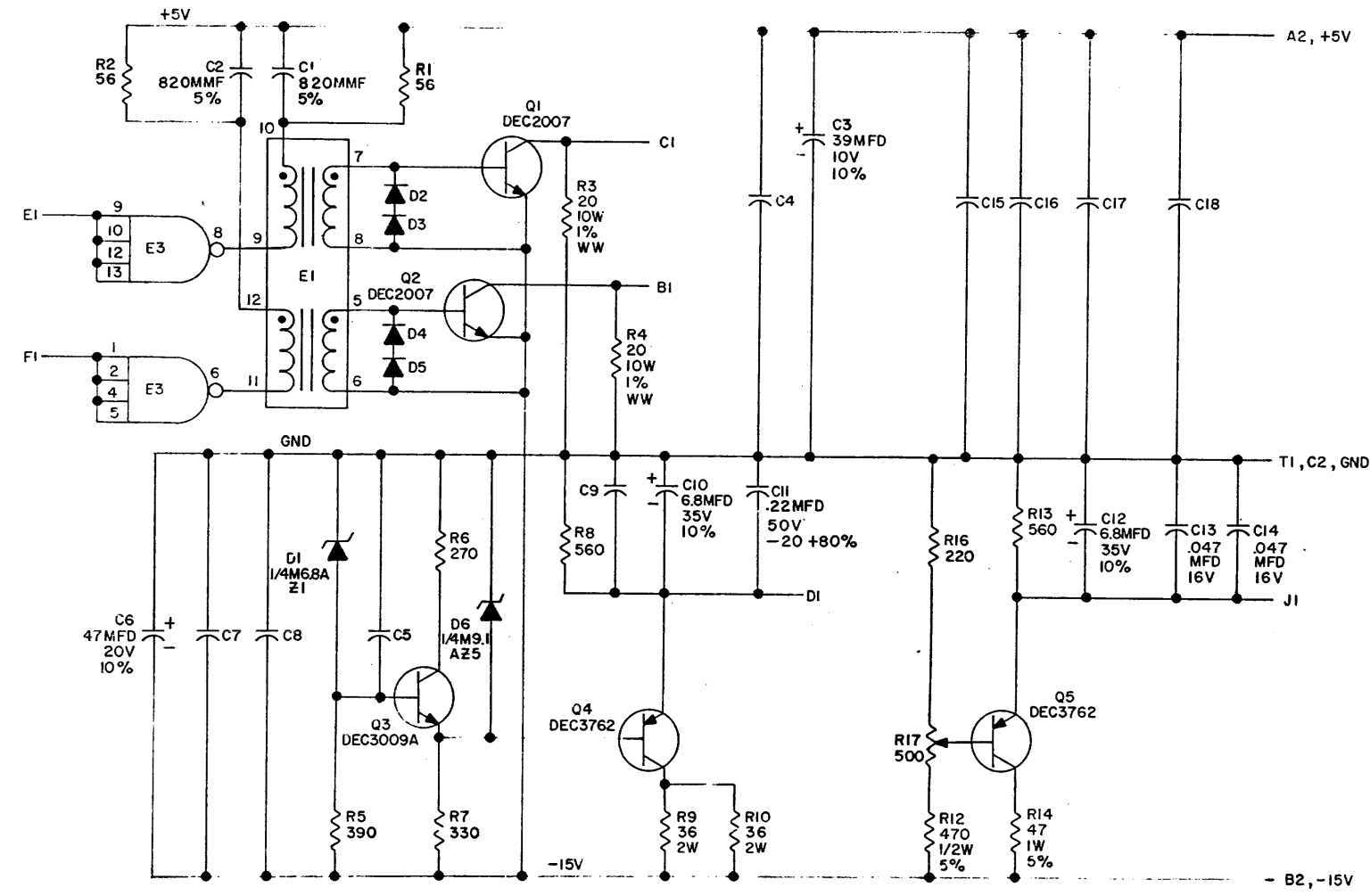
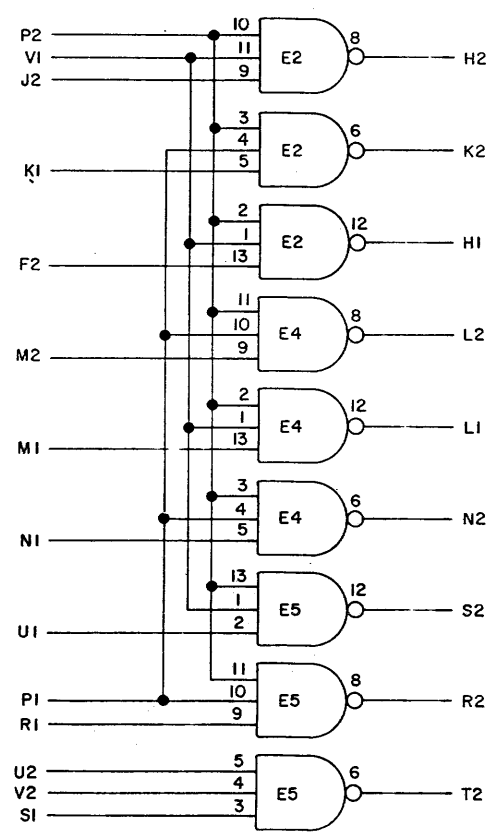


THIS SCHEMATIC IS FURNISHED ONLY FOR TEST AND MAINTENANCE PURPOSES. THE CIRCUITS ARE PROPRIETARY IN NATURE AND SHOULD BE TREATED ACCORDINGLY. COPYRIGHT 1969 BY DIGITAL EQUIPMENT CORPORATION



UNLESS OTHERWISE INDICATED:
 RESISTORS ARE 1/4W, 5%
 CAPACITORS ARE .01 MFD, 100V, 20%
 PIN 7 ON EACH IC = GND
 PIN 14 ON EACH IC = +5V
 E2, E4, E5 ARE DEC74H10
 E3 IS DEC7440
 E1 IS TRANSFORMER DEC PART # 1609996-0
 DIODES ARE D664

REV	CHK	CHK NO.	REV
1	1	00001	A
2	1	00002	B
3	1	00004	C
4	1	00005	D
5	1	00006	E
6	1	00007	F

DRN.	DATE	CHKD.	DATE	ENG.	DATE	PROD.	DATE
Butler	8/26/69		6/27/69		2-2-70		

TRANSISTOR & DIODE CONVERSION CHART			
DEC	EIA	DEC	EIA
D664	IN3506	1/4M9.1A#5	NONE
1/4M6.8A#1	NONE		
DEC2007	NONE		
DEC3762	NONE		
DEC3009A	2N3009A		

digital EQUIPMENT CORPORATION
 MAYNARD, MASSACHUSETTS

TITLE: MEMORY LEVELS & GATES G103
 NUMBER: G103-0-1
 REV: F

SIZE: C CS
 PRINTED CIRCUIT REV: A

REV. F
 NUMBER G103-0-1
 SIZE CODE C CS