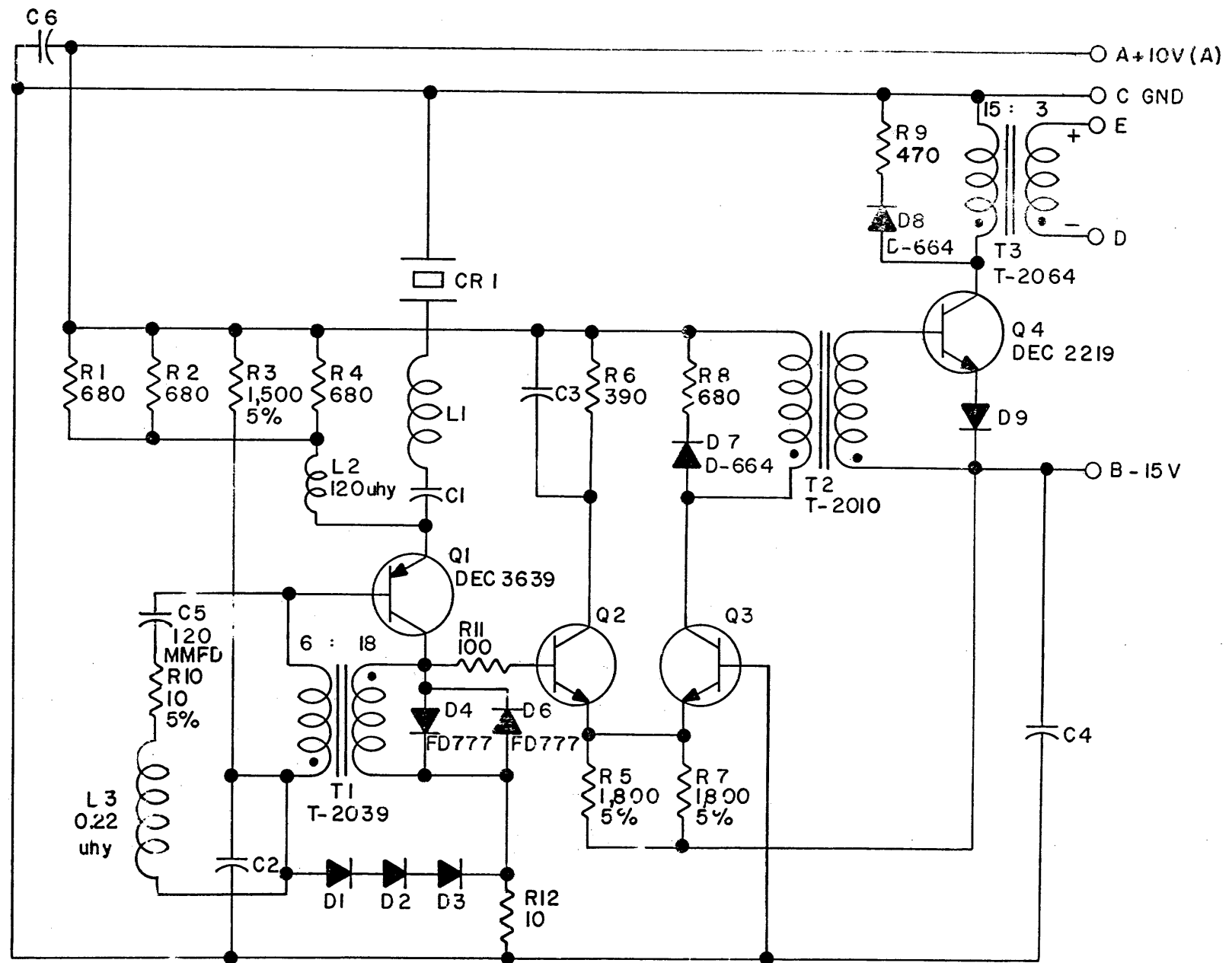


CS-B-B 405-2

FREQUENCY	L I	CI (APPROX)
8.2 - 10 Mc	3.3 uhy ESSEX VIH	56 MMFD
6.7 - 8.2 Mc		120 MMFD
5.5 - 6.7 Mc		220 MMFD
4.5 - 5.5 Mc		270 MMFD
3.7 - 4.5 Mc	10 uhy ESSEX VIH	150 MMFD
3.0 - 3.7 Mc		220 MMFD
2.45 - 3.0 Mc		330 MMFD
2.0 - 2.45 Mc		560 MMFD



UNLESS OTHERWISE INDICATED:
 TRANSISTORS ARE DEC 3009
 CARACITORS ARE .01MFD
 RESISTORS ARE 1/4W, 10%
 DIODES ARE D-662
 CHOKES L1, L2 ARE DECI-DUCTORS



5079-2	4831-1	ECO. NO.	DRAFTSMAN I. HAHN	CHECKER <i>R. Sullivan</i>	digital EQUIPMENT CORPORATION MAYNARD, MASSACHUSETTS	CODE	DWG. NO.	REV. 2
			DATE 7-28-65	DATE <i>8/1/65</i>		CS	B-B 405	
		ENG.	ENGINEER <i>R. Doane 8/5/65</i>	PRODUCTION	TITLE	CRYSTAL CLOCK B405		
			DATE	DATE				