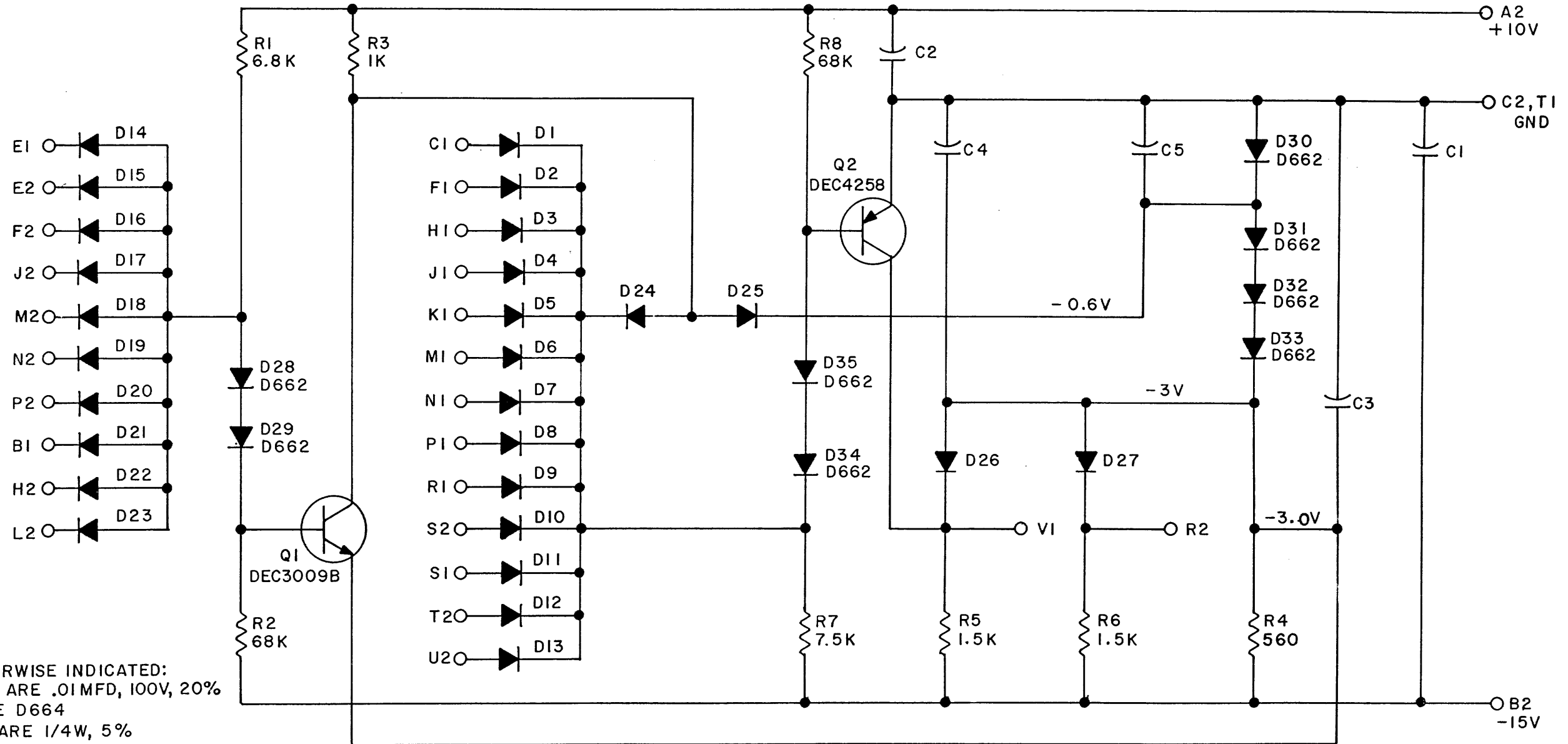


THIS SCHEMATIC IS FURNISHED ONLY FOR TEST AND MAINTENANCE PURPOSES. THE CIRCUITS ARE PROPRIETARY IN NATURE AND SHOULD BE TREATED ACCORDINGLY. COPYRIGHT 1969 BY DIGITAL EQUIPMENT CORPORATION

REV. B
 NUMBER B173-0-1
 SIZE CODE B CS



UNLESS OTHERWISE INDICATED:
 CAPACITORS ARE .01MFD, 100V, 20%
 DIODES ARE D664
 RESISTORS ARE 1/4W, 5%

REVISIONS	CHK	NO.	REV.			DRN.	DATE	TRANSISTOR & DIODE CONVERSION CHART				digital	TITLE			
	00001	A				<i>M. J. Weller</i>	10-21-69	DEC	EIA	DEC	EIA		DIODE GATE B173			
	00002	B				CHK'D	DATE	D662	IN645				SIZE	CODE	NUMBER	REV.
							10/22/69	D664	IN3606				B	CS	B173-0-1	B
						ENG. <i>P. Sullivan</i>	DATE	DEC3009B	2N3009			PRINTED CIRCUIT REV.				
						PROD.	DATE	DEC4258	2N4258							