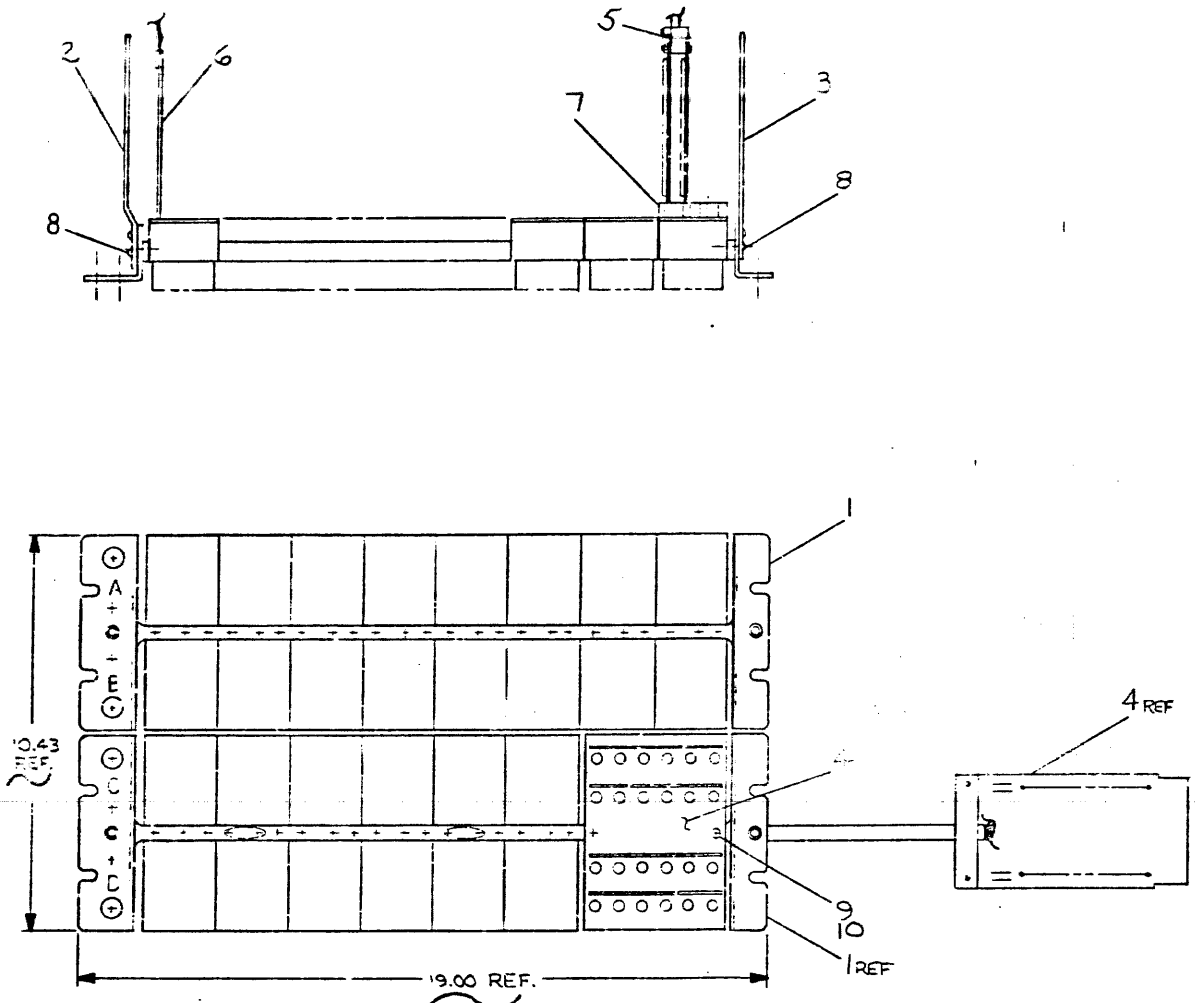




THIS DRAWING AND SPECIFICATIONS HEREIN ARE THE PROPERTY OF DIGITAL EQUIPMENT CORPORATION AND SHALL NOT BE REPRODUCED OR TRANSMITTED IN ANY FORM OR BY ANY MEANS, ELECTRONIC OR MECHANICAL, INCLUDING PHOTOCOPYING, RECORDING, OR BY ANY INFORMATION STORAGE AND RETRIEVAL SYSTEM, WITHOUT PERMISSION IN WRITING FROM DIGITAL EQUIPMENT CORPORATION.



QTY	DESCRIPTION	DWG. PART NO.	ITEM NO.
2	WASHER INT T20*4*8	9006634	10
2	SCREW PHIL 40 PAN 3-32x.62	9006040-1	9
16	POP RILET #3143385 USMC	9006503	8
1	UNIVERSAL I/O BLOCK	209850	7
5	CABLE	5-A-82031-03	6
1	FORMATER CABLE	7012779	5
1	INDICATOR PANEL	7409117	4
2	RIGHT END PANEL ASSY	2-MD-5705630-1	3
2	LEFT END PANEL ASSY	2-MD-5705630-2	2
1	WIRED ASSY	2-MD-5705630-001	1

ANGLES	CLASS OF ACCURACY	SURFACE QUALITY IN MICROINCHES					
0°-30°		12.5	25	50	100	200	400
		12.5	25	50	100	200	400
		12.5	25	50	100	200	400

THIRD ANGLE PROJECTION

REMOVE BURRS AND BREAK SHARP CORNERS

DO NOT SCALE DWG

MATERIAL: ALUMINUM

FINISH: ANODIZED

DRN: T-C

CHK'D: T-C

ENG: T-C

PRCL. ENG: T-C

PRCD: T-C

NEXT HIGHER ASSY:

SIZE: D

CODE: LA

NUMBER: 1

REV: 0

TITLE: PEC FORMATTER INTERFACE

DATE: 11/17/74

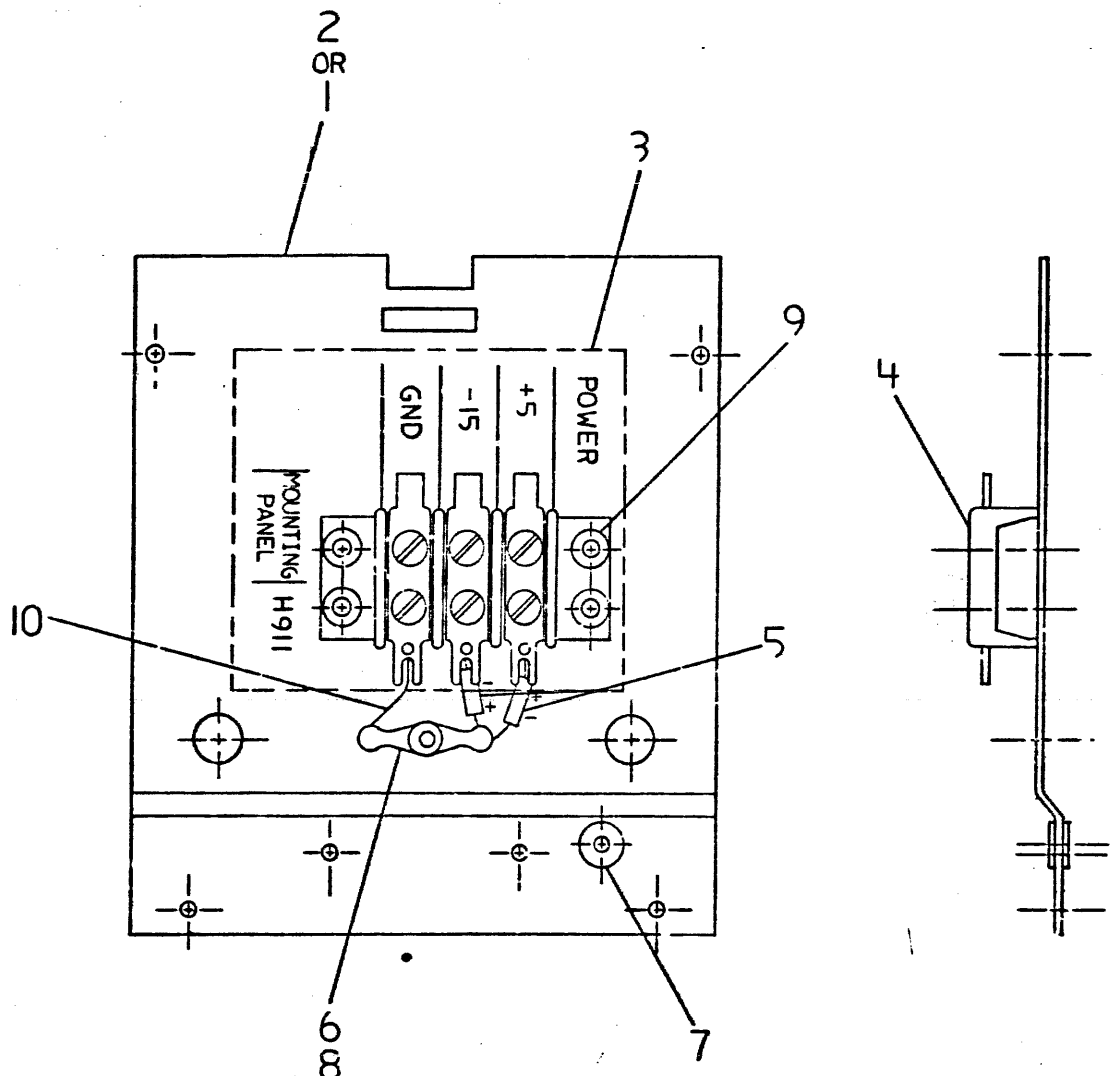
SHEET: 1 OF 1

REVISIONS  
BY: [ ]  
DATE: [ ]  
CHANGE NO: [ ]

REV. 0  
LA 11/17/74

SIZE CODE  
 C I A 5405680-0-0  
 NUMBER  
 A  
 REV.  
 C  
 B  
 A

THIS DRAWING AND SPECIFICATIONS, HEREIN, ARE THE PROPERTY OF DIGITAL EQUIPMENT CORPORATION AND SHALL NOT BE REPRODUCED OR COPIED OR USED IN WHOLE OR IN PART AS THE BASIS FOR THE MANUFACTURE OR SALE OF ITEMS WITHOUT WRITTEN PERMISSION.  
 COPYRIGHT © 1981 DIGITAL EQUIPMENT CORPORATION



CAUTION: OFF SHEET PARTS LIST EXISTS. REFER TO K-PL-5405680-0-0.

REV. A  
 NUMBER  
 C I A 5405680-0-0  
 SIZE

REVISION HISTORY	
DATE	ECO N. MBER
6-81	7008962-MK01A
	S. HARRINGTON
	K. HARRINGTON

DESCRIPTION	DRW'G NO.	PART NO.	ITEM NO.			
UNLESS OTHERWISE SPECIFIED DIMENSIONS ARE IN INCHES AND THE FOLLOWING TOLERANCES APPLY (PER DEC STD 114)						
INCHES TOLERANCES	ANGLES ± 0° 30'	DIMENSIONS RANGE IN INCHES				
		APPLICABLE DIMENSION RANGE (CHECK ONE)	OVER 0 TO 0.2	OVER 0.2 TO 1.2	OVER 1.2 TO 4.0	OVER 4.0 TO 12.0
X ± .1 XX ± .02 XXX ± .005	<input checked="" type="checkbox"/> SURFACE QUALITY <input type="checkbox"/> UNFINISHED	<input type="checkbox"/> 0.2 <input type="checkbox"/> 1.2 <input type="checkbox"/> 4.0	<input type="checkbox"/> ± .02 <input type="checkbox"/> ± .03 <input type="checkbox"/> ± .05	<input type="checkbox"/> ± .04 <input type="checkbox"/> ± .06 <input type="checkbox"/> ± .08	<input type="checkbox"/> ± .04 <input type="checkbox"/> ± .06 <input type="checkbox"/> ± .08	<input type="checkbox"/> ± .04 <input type="checkbox"/> ± .06 <input type="checkbox"/> ± .08
QUANTITY & VARIATION	THIRD ANGLE PROJECTION	DATE 27 Jun 81	TITLE H911 digital			
DO NOT SCALE DRAWING	REMOVE BURRS AND BREAK SHARP CORNERS	DATE 15 Aug 81	LEFT END PANEL ASSY			
MATERIAL		DATE 27 Jun 81	DOCUMENT NUMBER			
FINISH		DATE	C I A 5405680-0-0 A			
			D-AD-7008962-0-0			

AUTOMATED BY PRTLST.3F(44)

PARTS LIST

SHEET A1 OF A1

LINE ITEM	DOCUMENT NUMBER	PART NUMBER	DESCRIPTION	QUANTITY PER VARIATION		
				00	01	
1	1	C-MD-5302485-0-0	5302485-00	1943-2008 PANEL, LEFT END	1	0
2	2	C-MD-5302485-0-0	5302485-01	PANEL LEFT END	0	1
3	3	A-DC-5504487-0-0	5504487-00	LABEL, H911 MOUNTING PANEL	1	1
4	4		1202491-00	TERM BLOCK 3POS 9/16 SPACING	1	1
5	5		1005306-00	6.8MFD 35V 10% S.TANT	2	2
6	6		9006769-00	TERM LUG #6STUD LOCKING 30	1	1
7	7		9007013-00	GROMMET, RUBBER	1	1
8	8		9006733-00	EYELET, FLAT FLANGE .1270DX .195	1	1
9	9		9006736-00	EYELET, FLAT FLANGE .1940DX .575	4	4
10	10		9107560-01	WIRE, BUSS, 22AWG	A/R	A/R

REVISION HISTORY		BASIC PART NO: 5405680		DRN: S ZYLAK	DATE: 29-JUN-81	DBP D I G I T A I L	
ENG	ECO NUMBER	REV	SECTION A OF A	CHK'D: J FALKOWSKI	DATE: 29-JUN-81	TITLE	PARTS LIST
RM	7008962-MK01A	A	SECTION. VARIATION INDEX [A] 00,01	<i>J Falkowski</i> J FALKOWSKI	<i>18 Aug 81</i> DATE: 29-JUN-81	H911 LEFT END PANEL ASSY	
			[B]	<i>Ray Harrington</i> R HARRINGTON	<i>25 Aug 81</i> DATE: 29-JUN-81	DOCUMENT NUMBER	
			[C]	<i>Ray Harrington</i> R HARRINGTON	<i>25 Aug 81</i> DATE: 29-JUN-81	SIZE	CODE
			[D]			NUMBER	REV
			[E]	MFG.ENG.: R O'CONNELL	DATE: 29-JUN-81	K	PL
			[F]	ASSEMBLY NUMBER: IC-IA-5405680-0-0	TOP DOCUMENT NUMBER: D-AD-7008962-0-0	FILE NAME:	EDIT
						MK0466.PLS	4

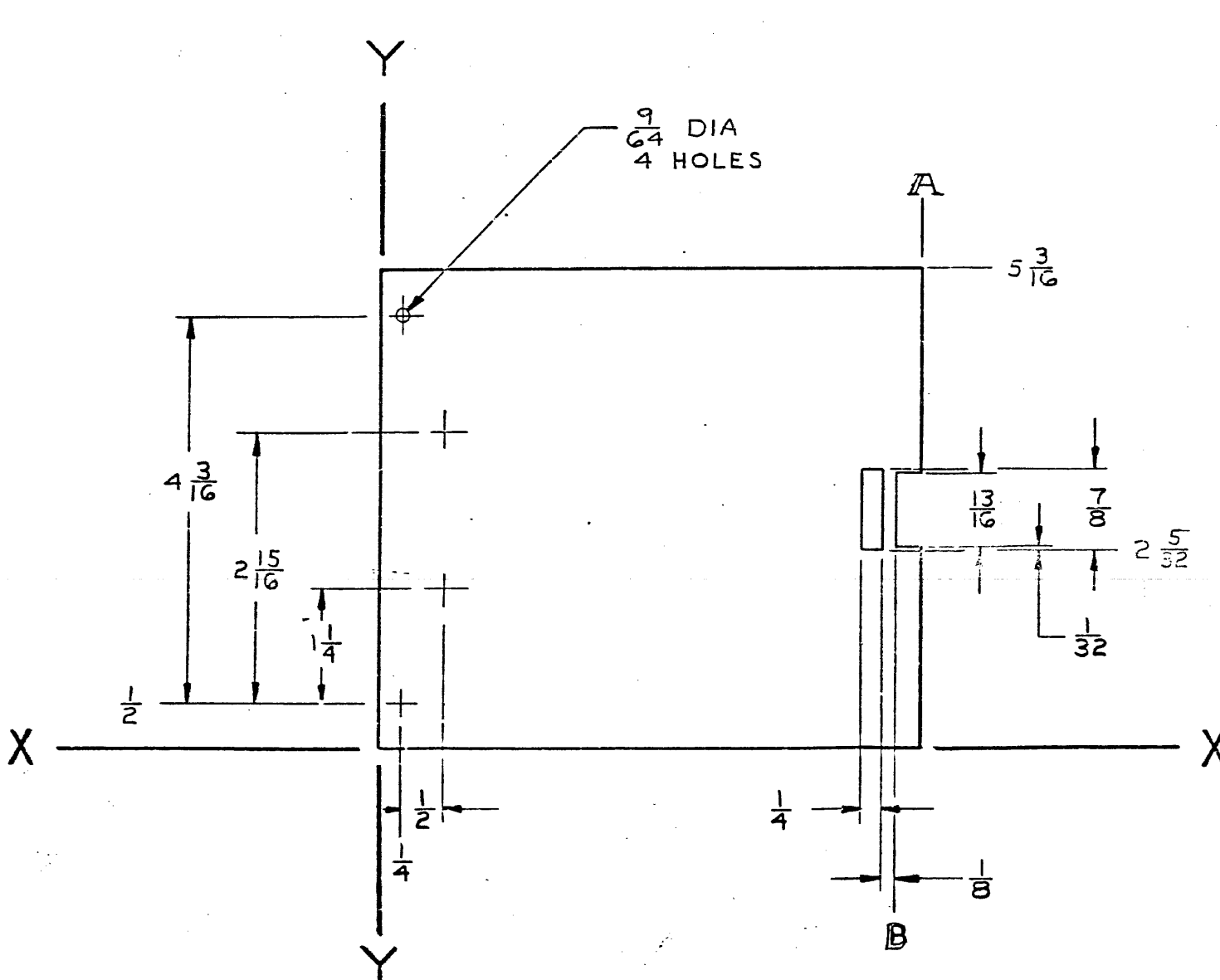
\*THIS DRAWING AND SPECIFICATIONS HEREIN, ARE THE PROPERTY OF DIGITAL EQUIPMENT CORPORATION AND SHALL NOT BE REPRODUCED OR COPIED OR USED IN WHOLE OR IN PART AS THE BASIS FOR THE MANUFACTURE OR SALE OF ITEMS WITHOUT WRITTEN PERMISSION. COPYRIGHT (C) 1981. DIGITAL EQUIPMENT CORPORATION \*

MK

This drawing and specifications herein, are the property of Digital Equipment Corporation and shall not be reproduced or copied or used in whole or in part as the basis for the manufacture or sale of items without written permission.

LEGEND

NUMBER	DIM A	DIM B
5302426-0	6 IN.	5-23/32
5302426-1	9-7/16 IN.	9-5/32



REV.	CHG. NO.	DESCRIPTION
B	3371	ECO # 3371
C	0088	MISC - 0088
D	0000	0000
E	0001	0001
F	0002	0002
G	0003	0003
H	0004	0004
I	0005	0005
J	0006	0006
K	0007	0007
L	0008	0008
M	0009	0009
N	0010	0010
O	0011	0011
P	0012	0012
Q	0013	0013
R	0014	0014
S	0015	0015
T	0016	0016
U	0017	0017
V	0018	0018
W	0019	0019
X	0020	0020
Y	0021	0021
Z	0022	0022

UNLESS OTHERWISE SPECIFIED  
 DIMENSION IN INCHES  
 TOLERANCES  
 DECIMALS ± .005 FRACTIONS ± 1/64 ANGLES ± 0'30"  
 FINAL SURFACE QUALITY REMOVE BURRS AND BREAK SHARP CORNERS

MATERIAL .090 THK #5052-H32 AL MILL FINISH  
 FINISH SPEC #92-00200-00

QTY.	DESCRIPTION	PART NO.	ITEM NO.
PARTS LIST			
DRN.	DATE	DIGITAL EQUIPMENT CORPORATION MAYNARD, MASSACHUSETTS	
CHK'D.	DATE	TITLE	
ENG.	DATE	PANEL, RIGHT END	
PROJ. ENG.	DATE	SIZE CODE	
PROD.	DATE	CMU 5302486-0-0	
FIRST USED ON	DATE	NUMBER	
0-UA-1943-0-0	DATE	REV.	
SCALE	DATE	DIST.	
SHEET	DATE	REV.	

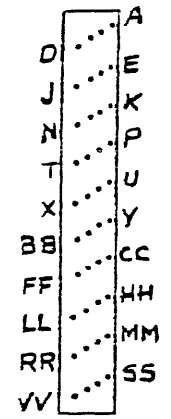
SIZE CODE CMU 5302486-0-0

The ground and identification markings are the property of Digital Equipment Corporation and shall not be reproduced in whole or in part or in any form without the prior written permission of Digital Equipment Corporation.

WIRE TABLE				
ITEM NO	DESCRIPTION	FROM	TO	REMARKS
1	30	GREY	P1 - D	P2 - B1
			P1 - J	P2 - B1
			P1 - F	P2 - D2
			P1 - N	P2 - E1
			P1 - L	P2 - E2
			P1 - T	P2 - H1
			P1 - A	P2 - H2
			P1 - X	P2 - J1
			P1 - V	P2 - K2
			P1 - BB	P2 - L1
			P1 - FF	P2 - M1
			P1 - LL	P2 - M2
			P1 - RR	P2 - P1
			P1 - DD	P2 - P2
			P1 - RR	P2 - S1
			P1 - JJ	P2 - S2
			P1 - NN	P2 - T2
2	30	GREY	P1 - --	P2 - V2

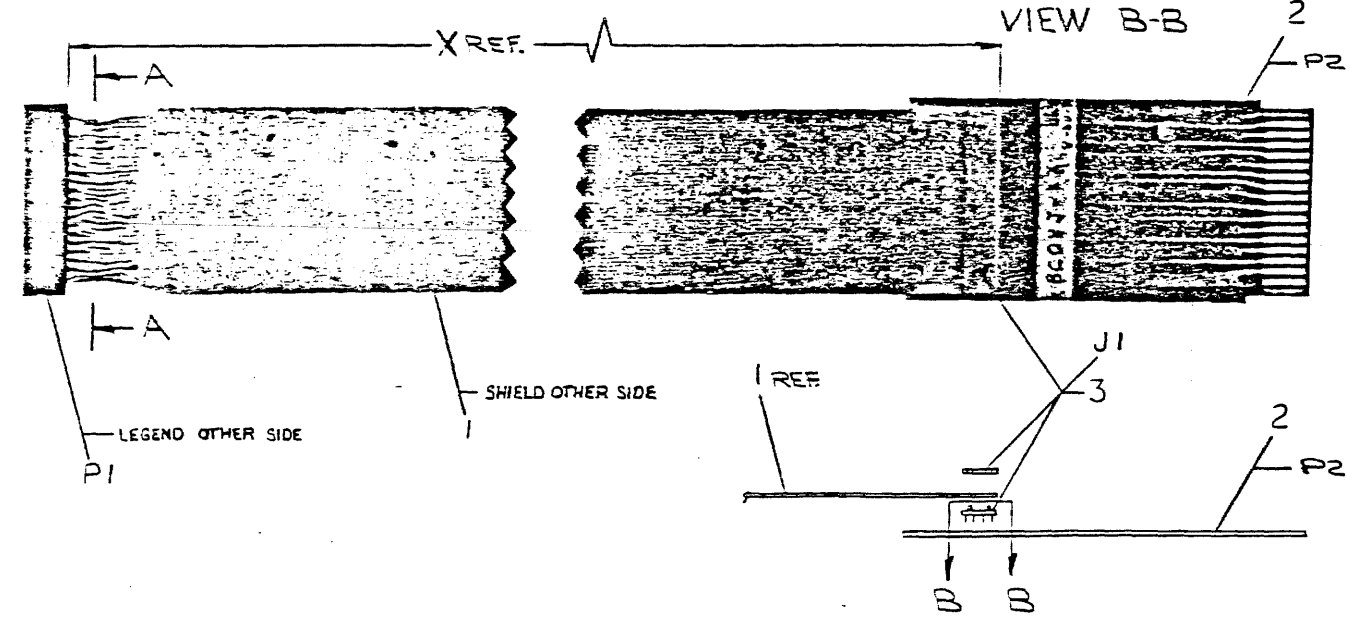
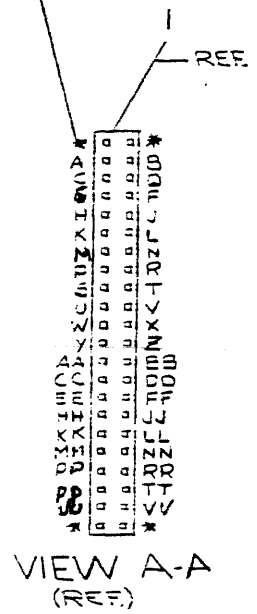
LEGEND		
NUMBER	ITEM NO 1	DIM 'X'
BC08J-0-06	7007036-06	6 FT = 21N
BC08J-0-10	7007036-10	10 FT = 21N
BC08J-0-15	7007036-15	15 FT = 31N
BC08J-0-25	7007036-25	25 FT = 31N
BC08J-0-30	7007036-30	30 FT = 1 FT

- NOTES:
- CONNECTORS P1 AND J1 ARE TO BE WIRED POINT TO POINT P1-A TO J1 -A THRU P1-VV TO J1 -VV.
  - ASTERISKS INDICATE CAVITIES NOT USED OR DESIGNATED BY LETTERS.
  - ALL P1 & P2 CONNECTIONS NOT LISTED ON THE WIRE TABLE ARE GROUNDING



SEE NOTE #2

SEE NOTE #3



REV	DATE	BY	CHKD
A	12-17-70	J. J. ...	J. J. ...
B	1-2-71	J. J. ...	J. J. ...
C	1-2-71	J. J. ...	J. J. ...

FIRST USED ON OPTION / MODEL  
3C08J

DO NOT SCALE DRAWING  
UNLESS OTHERWISE SPECIFIED

TOLERANCES  
DECIMALS FRACTIONS ANGLES  
XXX = ± .005  
XX = ± .02  
X = ± .1

DO NOT SCALE DRAWING  
UNLESS OTHERWISE SPECIFIED

TOLERANCES  
DECIMALS FRACTIONS ANGLES  
XXX = ± .005  
XX = ± .02  
X = ± .1

MATERIAL  
FINISH

1	ETCH BOARD CONNECTOR	1210073-0	3
1	M953 I/O CABLE BD	M953-0-5	2
1	I/O CABLE	SEE LEGEND	1
QTY.	DESCRIPTION	PART NO.	ITEM NO.

PARTS LIST

DATE 12-17-70  
DATE 1-2-71  
DATE 1-2-71  
DATE 1-2-71

digital EQUIPMENT CORPORATION

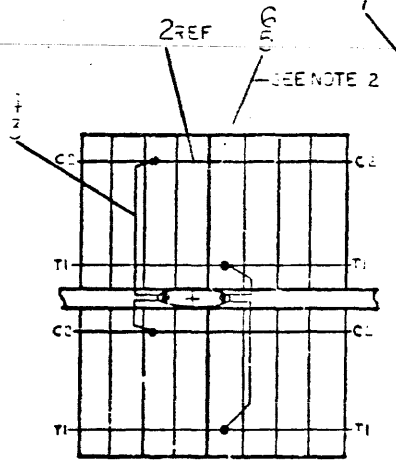
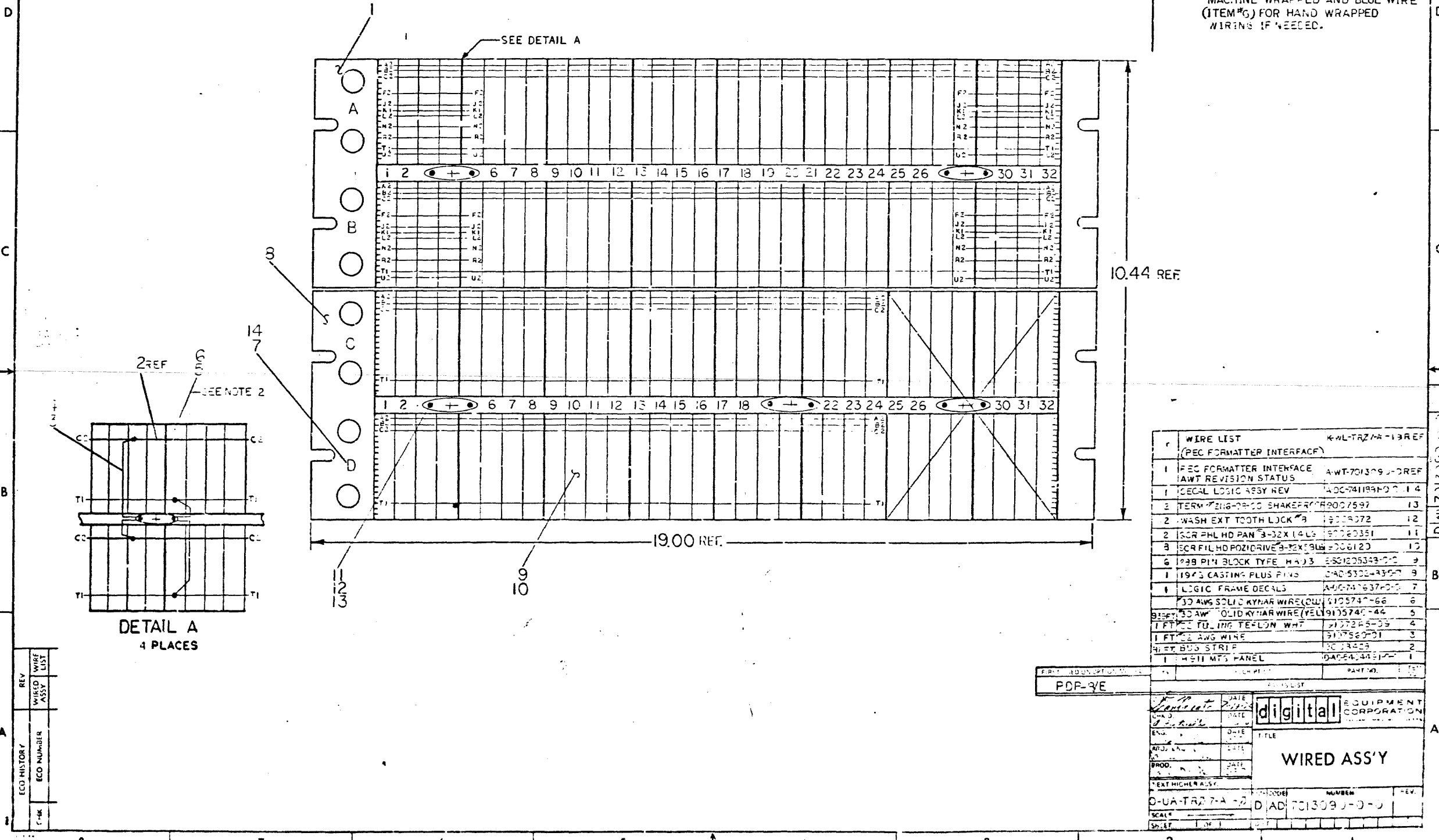
TITLE  
I/O CABLE  
(BC08J)

SCALE NONE  
SHEET 1 OF 1

NUMBER  
DUAL BC08J-0-0  
REV. 5

THIS DRAWING AND SPECIFICATIONS HEREIN ARE THE PROPERTY OF DIGITAL EQUIPMENT CORPORATION AND SHALL NOT BE REPRODUCED OR COPIED OR LENT IN WHOLE OR IN PART AS THE BASIS FOR THE MANUFACTURE OR SALE OF ITEMS WITHOUT WRITTEN PERMISSION FROM DIGITAL EQUIPMENT CORPORATION.

- NOTES:
- CONNECTIONS ON ITEMS 2 & 3 TO BE LOCATED & SOLDERED AT MINIMUM PRACTICAL HEIGHT ABOVE BLOCKS.
  - USE YELLOW WIRE (ITEM #5), FOR MACHINE WRAPPED AND BLUE WIRE (ITEM #6) FOR HAND WRAPPED WIRES IF NEEDED.



DETAIL A  
4 PLACES

WIRE LIST		KWL-TRAZ-A-13 REF
(PEC FORMATTER INTERFACE)		
1	PEC FORMATTER INTERFACE	AWT-701309 J-D REF
1	AWT REVISION STATUS	A-00-741199H-D-14
1	CECAL LOGIC ASSY REV	A-00-741199H-D-14
3	TERM 218-2200 SHAKER	R2007597
2	WASH EXT TOOTH LOCK	19006072
2	SCR PHL HD PAN 3-32X 1/4 L9	190060351
8	SCR FIL HD POZ DRIVE 3-32X 3/8	19006120
6	198 PIN BLOCK TYPE HA J3	ESCI205593-C-2
1	1973 CASTING PLUS PINS	DAD-5302-4350-8
1	LOGIC FRAME DECALS	A-00-741637-D-7
30	AWG SOLID KYMAR WIRE (BL)	5105740-66
30	AWG SOLID KYMAR WIRE (YEL)	9105740-44
1	1/16" TULINE TEFLON WHT	2177245-35
1	1/16" AWG WIRE	3107860-01
1	EXT BUS STRIP	3C-3425
1	1/16" MTS PANEL	DAD-64-4451-1

FRONT BOARD (PANEL) PART NO. 13

PDP-7E

DATE	2/19/73
BY	J. J. ...
CHK	J. J. ...
APP	J. J. ...
PROD	J. J. ...
TEXT HIGH	J. J. ...

**digital** EQUIPMENT CORPORATION

TITLE: WIRED ASS'Y

Q-UA-TRAZ-A-13 DAD-701309 J-D-0

SCALE: 1:1

REV	WIRE ASSY LIST

ECO HISTORY	ECO NUMBER

This drawing and specifications, herein, are the property of Digital Equipment Corporation and shall not be reproduced or copied or used in whole or in part as the basis for the manufacture or sale of items without written permission.

DRAWING NUMBER	INIT REL	AUTOMATIC WIRE TESTER (AWT) REVISION STATUS												REV.
D-AD-7013090-0-0	*													
K-WL-TR07-A -19	*													

REV.  
NUMBER  
7013090-0  
SIZE CODE  
A WT

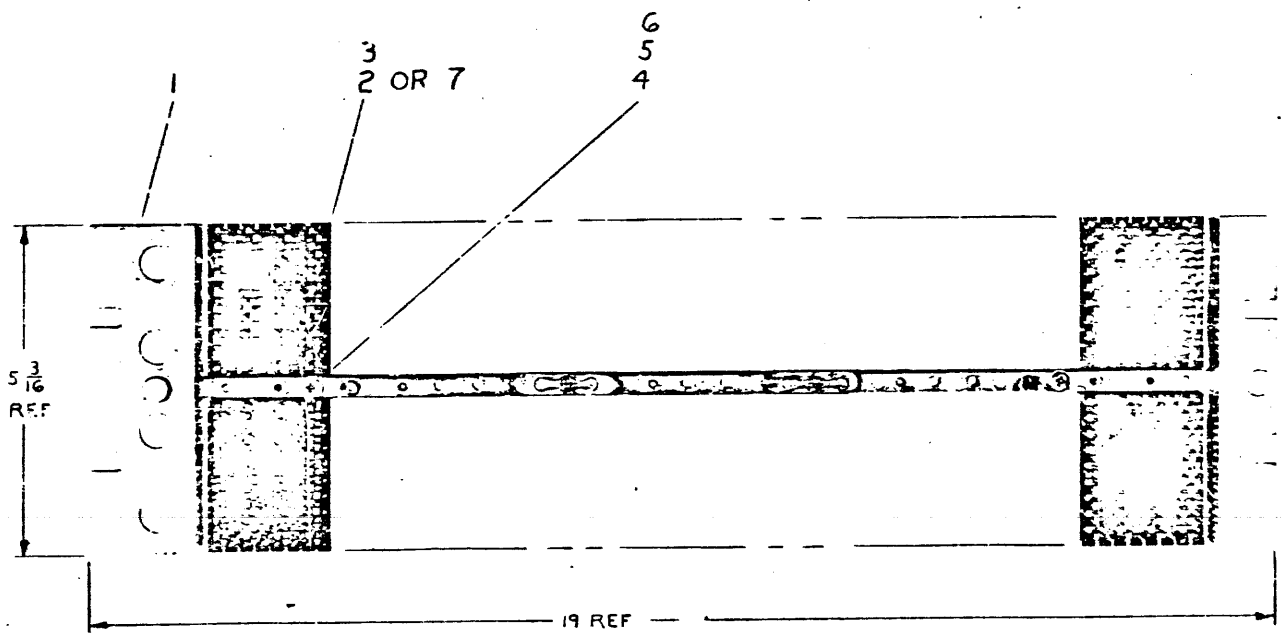
REV.	
CHG. NO.	
CHK	

DRN. <i>W. Anderson</i>	DATE <i>4/1/76</i>		EQUIPMENT CORPORATION MAYNARD MASSACHUSETTS	
CHK'D. <i>A. Zaitsev</i>	DATE <i>7/1/76</i>		TITLE	
ENG. <i>W. Anderson</i>	DATE <i>12-2-75</i>	PEC FORMATTER INTERFACE		
PROJ. ENG. <i>W. Anderson</i>	DATE <i>12-3-75</i>	AWT REVISION STATUS		
PROD. <i>W. Anderson</i>	DATE <i>12-3-75</i>	FIRST USED ON:		
PDP-8/b		SIZE CODE	NUMBER	REV.
SCALE	NONE	A WT	7013090-0	
SHEET	1	OF	1	DIST.



This drawing and specifications, herein, are the property of Digital Equipment Corporation and shall not be produced or copied or used in whole or in part as the basis for the manufacture of any of same without written permission.

LEGEND	
NUMBER	VARIATION
5404491-0	M603 CONN BLOCKS (NO SLOTS)
5404491-1	H863 CONN BLOCKS (SLOTTED)



REV.	DESCRIPTION	DATE
A	REVISED TO REFERENCE TO NEW PARTS LIST	11/18/67
B	REVISED TO REFERENCE TO NEW PARTS LIST	11/18/67
C	REVISED TO REFERENCE TO NEW PARTS LIST	11/18/67

QTY.	DESCRIPTION	PART NO.	ITEM NO.
PARTS LIST			
UNLESS OTHERWISE SPECIFIED		EQUIPMENT CORPORATION	
UNLESS OTHERWISE SPECIFIED		TITLE	
DIMENSIONS IN INCHES		MTG PANEL	
TOLERANCES		TYPE H911	
DECIMAL FRACTIONS		REV. CODE	
IN INCHES		NUMBER	
± 0.005		5404491-0-0	
± 0.010		REV. F	
± 0.015		SCALE	
± 0.030		SHEET 1 OF 1	

PARTS LIST  
5404491-0-0

This drawing and specifications, herein, are the property of Digital Equipment Corporation and shall not be reproduced or copied or used in whole or in part as the basis for the manufacture or sale of items without written permission.

LEGEND	
NUMBER	VARIATION
7406371-0	BLK LETTERS ON CLEAR
7406371-1	WHT LETTERS ON CLEAR


A B C D E F H J  
 K L M N P R S T  
 U V W X Y Z

BLK. LETTERS

CLEAR BACKGROUND

REVISIONS	REV.	A
	CHANGE NO.	7406371-00001
CHK	88	

*Demings 6/24/75*  
*7-21-75*

DRN. <i>D. Watten</i>	DATE <i>10/13/67</i>	 EQUIPMENT CORPORATION MAYNARD, MASSACHUSETTS		
CHK'D. <i>G. N. ...</i>	DATE <i>10/30/67</i>			
ENG. <i>JORDAN</i>	DATE <i>11/1/67</i>	TITLE LOGIC FRAME DECALS (CLEAR)		
PROJ. ENG.	DATE			
PROD.	DATE			
FIRST USED ON				
SCALE <i>1/1</i>	SIZE A	CGCODE DC	NUMBER 7406371-0-0	REV. A
SHEET <i>1 OF 1</i>	D.ST.			

This drawing and specifications, herein, are the property of Digital Equipment Corporation and shall not be reproduced or copied or used in whole or in part as the basis for the manufacture or sale of items without written permission.

COPYRIGHT © 1974  
DIGITAL EQUIP CORP

NOTE:

- 1) MAT'L: WHITE FRASSON "PLI-B PRINT" 60# ACRYLIC LAYTEX IMPREGNATED PAPER STOCK WITH PERMANENT ADHESIVE ON BACKSIDE WITH EASY PEEL OFF COVER.
- 2) BLACK LINES & LETTERS AS SHOWN.
- 3) DECALS TO BE SUPPLIED CUT TO SIZE AS SHOWN.
- 4) INFORMATION TO BE RECORDED ON DECALS USING ONLY DEL P/N 1213959-0-0 (PANQUIT PEN # PX-0) OR BAH POINT PEN.
- 5) SURFACE OF APPLICATION MUST BE FREE OF ANY DIRT OR OILS BEFORE ATTEMPTING TO PUT DOWN DECAL.

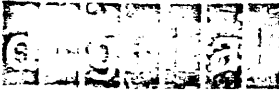
OPTION	WL	BUS	JUMP	ETCH	AWT	AWT
REV.						
PART NO.	DATE					QC

FIRST USED ON OPT/MOD

RPGE

REVISIONS	CHANGE NO.	REV.
	7411881-0001	A
	I DENIERS 8-4-75	
	G. Brown 9-8-75	
	7411881-0003	B
	I DENIERS 17 FEB-77	
	POURCOTTA 25 FEB 77	

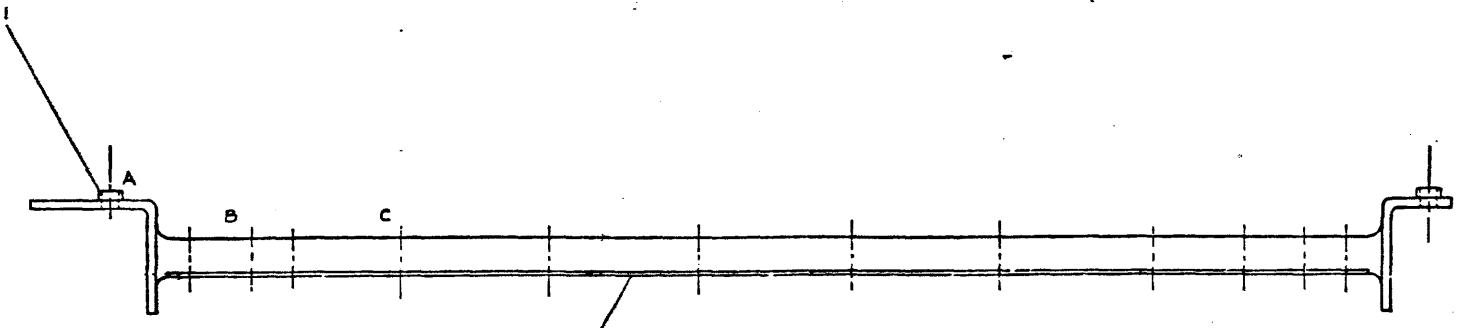
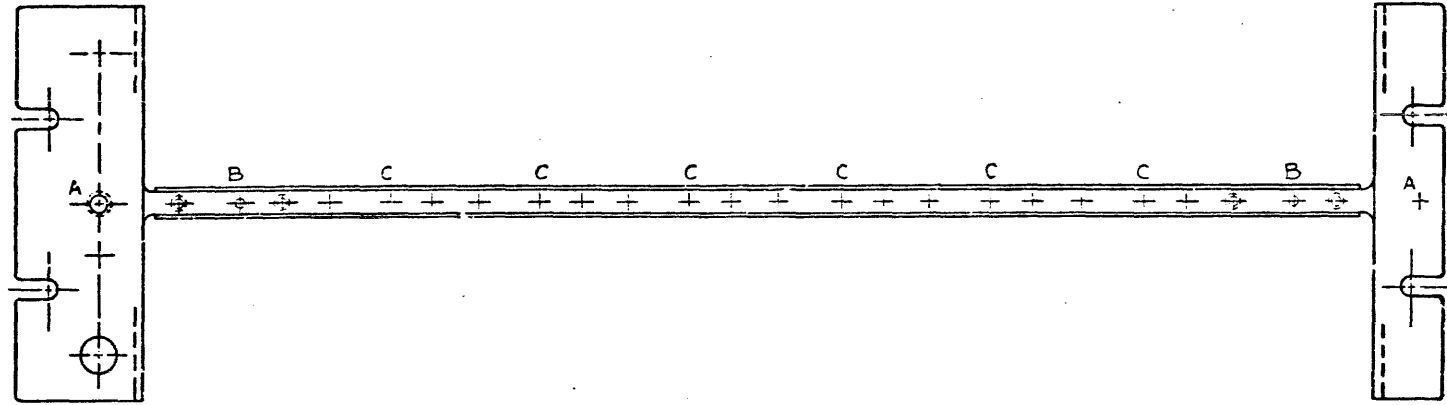
BLACK ON WHITE

DRN. <i>I Deniers</i>	DATE 4-1-74	 <p>EQUIPMENT CORPORATION MAYNARD, MASSACHUSETTS</p>	
CHKD <i>I Deniers</i>	DATE 4-2-74		
ENG <i>I Deniers</i>	DATE 4/3/74		
PROJ ENG <i>I Deniers</i>	DATE 2/8/74		
PROD. <i>A. K. K. K.</i>	DATE 4/3/74		
NEXT HIGHER ASSY E-AD-7009660-0-0		TITLE <b>DECAL LOGIC ASSY REVISION</b>	
SCALE 1/1	SIZE CODE A DC	NUMBER 7411881-0-0	REV. 8
SHEET 1 OF 1	DIST.		

This drawing and its contents are the property of Dr. Equipment Corporation and shall not be reproduced or copied in whole or in part without the written permission of the manufacturer or sale of same without written permission.

5302433-0-2

**NOTES**  
 1. INSTALL PERMA NUT, ITEM #2 IN 2 "A" HOLES AFTER FINISH.



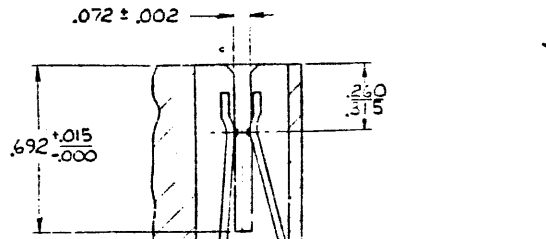
REV.	DESCRIPTION	DATE
1	AS SHOWN	1/21
2	REVISED	1/21
3	REVISED	1/21
4	REVISED	1/21
5	REVISED	1/21
6	REVISED	1/21
7	REVISED	1/21
8	REVISED	1/21

UNLESS OTHERWISE SPECIFIED DIMENSION IN INCHES		DATE	
TOLERANCES		CHK'D.	DATE
DECIMALS	FRACTIONS	ENG'G.	DATE
± .005	± 1/64	DRAWING	DATE
FINISH SURFACE QUALITY		PROD.	DATE
REMOVE BURRS AND BREAK SHARP EDGES		FAST USED ON	
MATERIAL		SIZE/CODE	
FINISH		NUMBER	
ROOZED 00		DAD 5302433-0-2	
		REV	
		3	

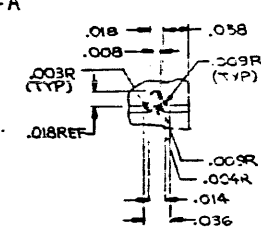
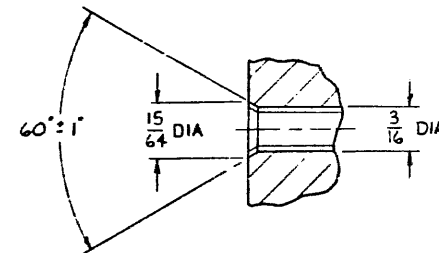
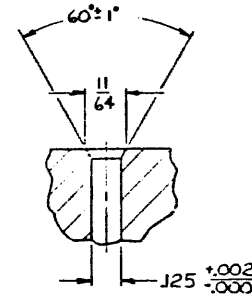
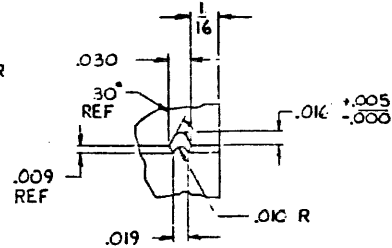
**CASTING ASSY**  
(1943)

DAD 5302433-0-2

\* ASTERISK: INDICATES TOLERANCES ARE NON-ACCUMULATIVE.



SECTION: D-D SCALE: 4/1  
 .020/.035 x 45° CHAMFER (8 PLACES)



MOLDED LETTERS 1/16 HIGH .003 TO .008 ABOVE SURFACE - LOCATED APPROX. AS SHOWN; OR PRINTED ON SIDE ABOVE DIGITAL PART NUMBER

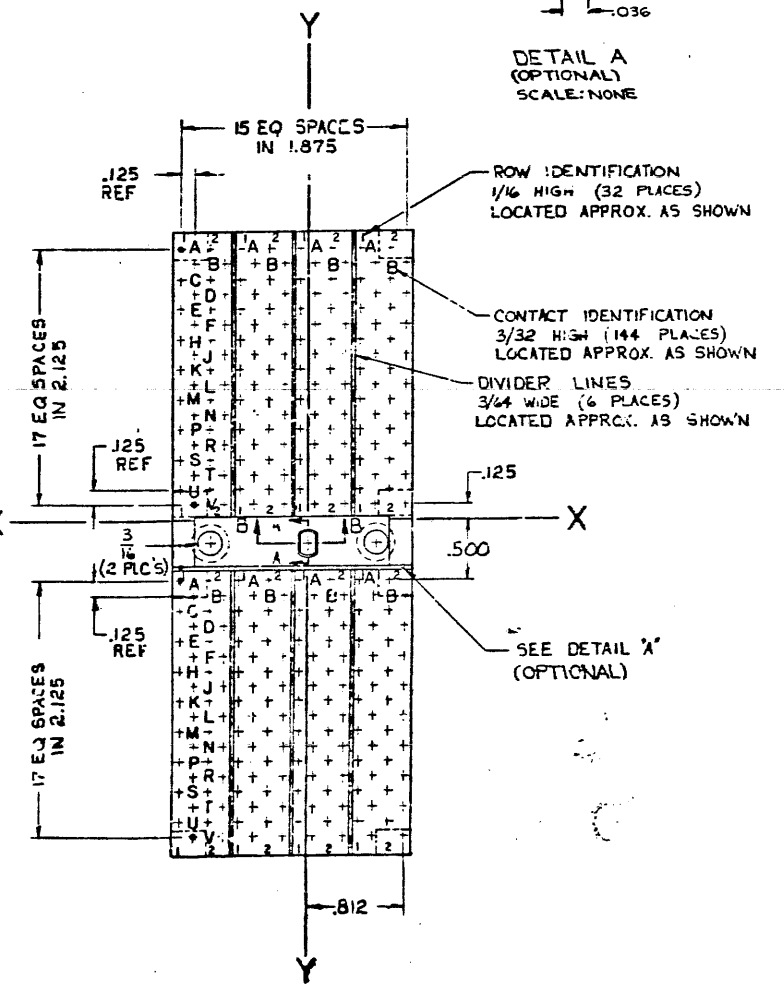
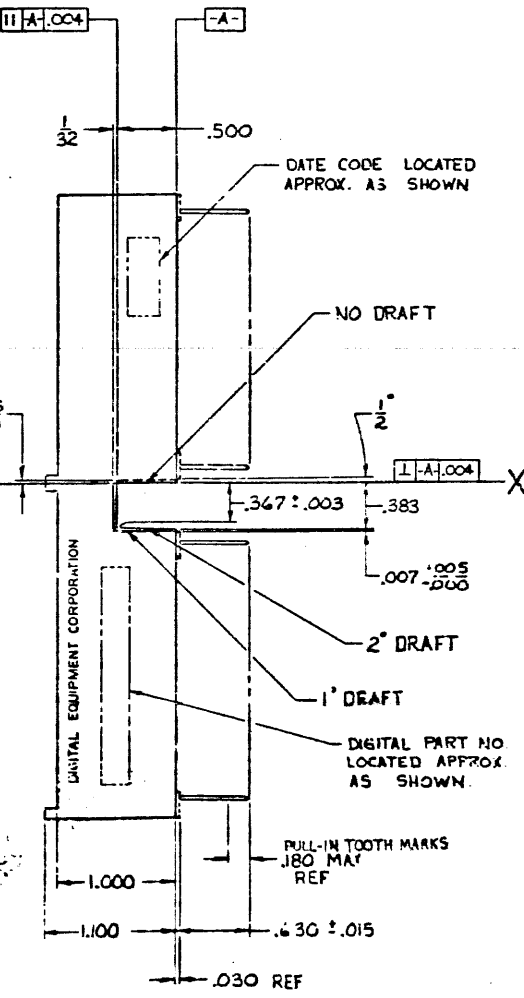
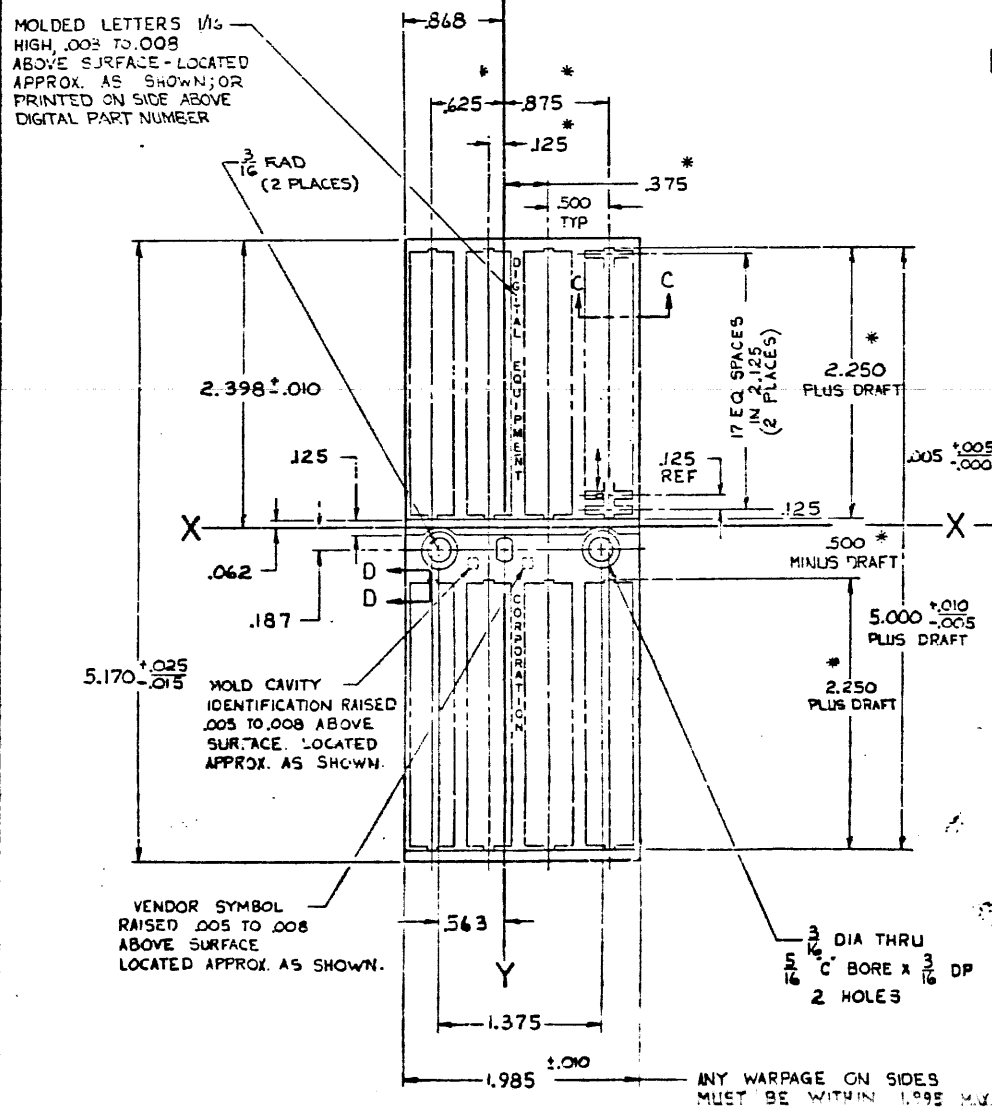
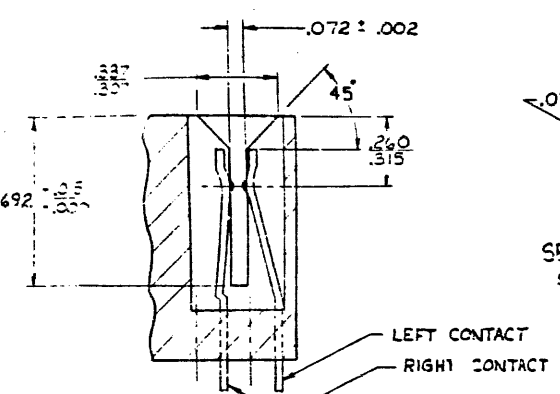


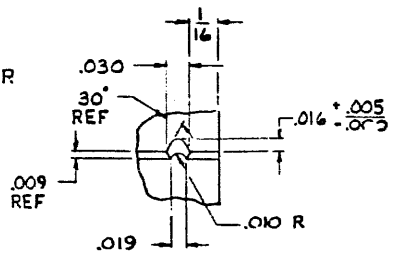
FIGURE 1  
 CONFIGURATION & DIMENSIONS  
 (1205348-00)

DESCRIPTION		CHK PART NO.
CONNECTOR CARD EDGE TO		
DATE	CHKD	FILE
DRG NO.	ENG.	
ISSUE	FRM TOL.	
DATE	CHKD	
TIME	DRG	
	DATE	
	TIME	
	DATE	
	TIME	
	DATE	
	TIME	
	DATE	
	TIME	
	DATE	
	TIME	

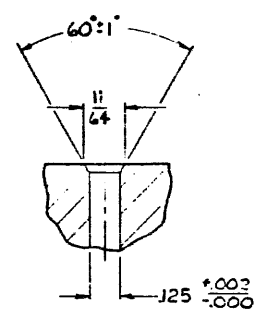
\* ASTERISK: INDICATES TOLERANCES ARE NON-ACCUMULATIVE.



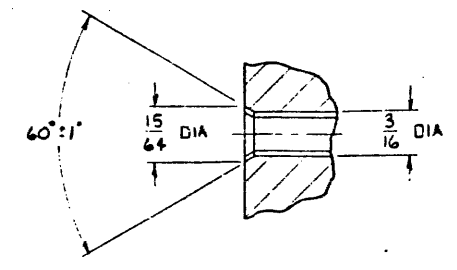
SECTION: D-D  
SCALE: 4/1



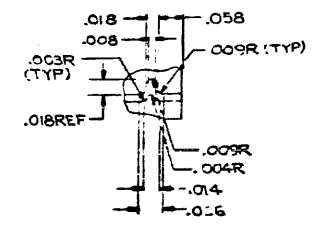
DETAIL: A  
(2 PLACES)  
SCALE: NONE



SECTION: B-B  
SCALE: 4/1



SECTION: A-A  
SCALE: 4/1



DETAIL: A  
(OPTIONAL)  
SCALE: NONE

MOLDED LETTERS  
1/16 HIGH, .033 TO .008  
ABOVE SURFACE - LOCATED  
APPROX. AS SHOWN; OR  
PRINTED ON SIDE ABOVE  
DIGITAL PART NUMBER

3/16 RAD  
(2 PLACES)

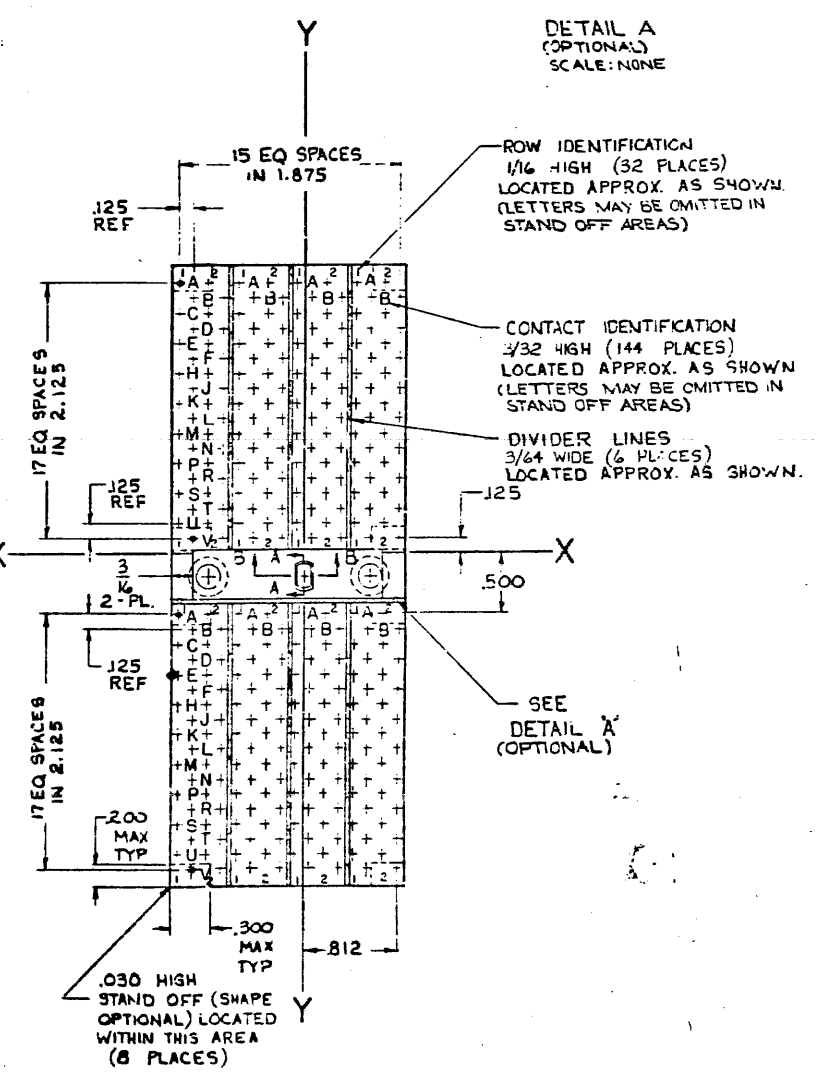
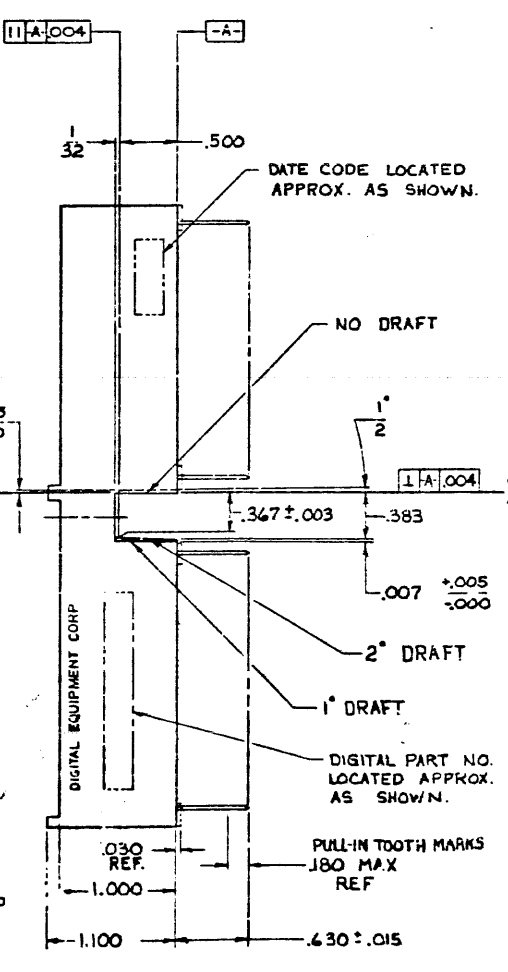
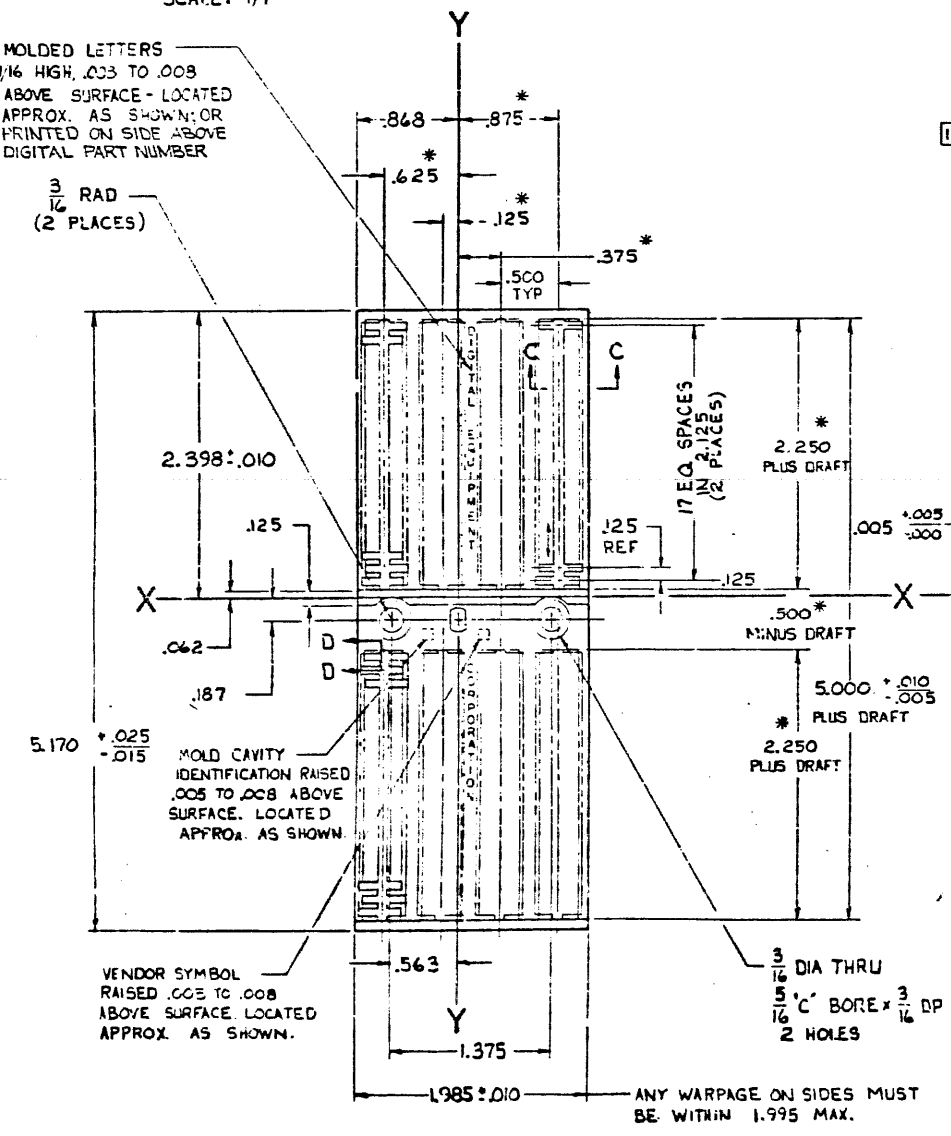
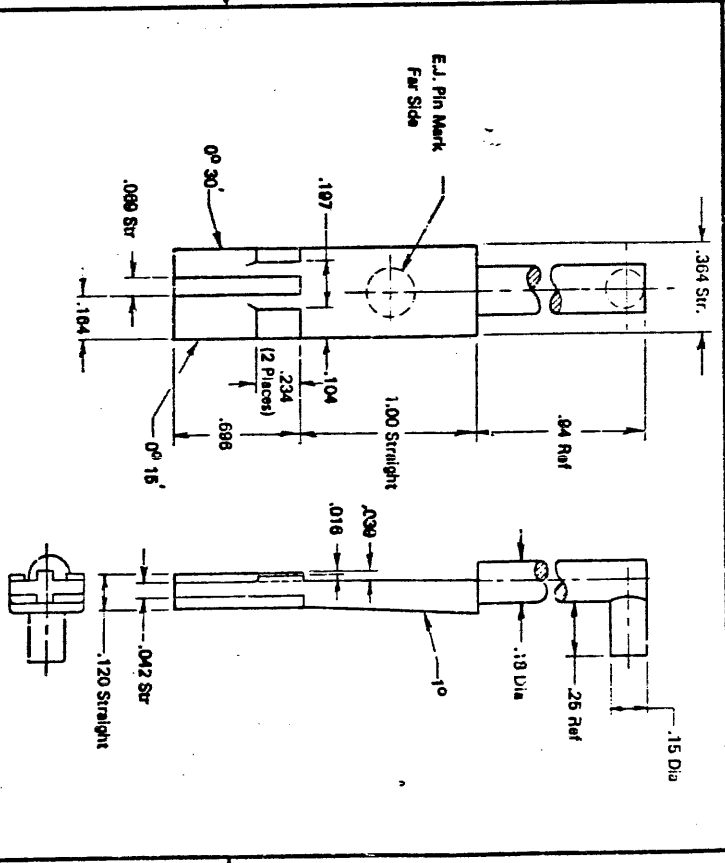
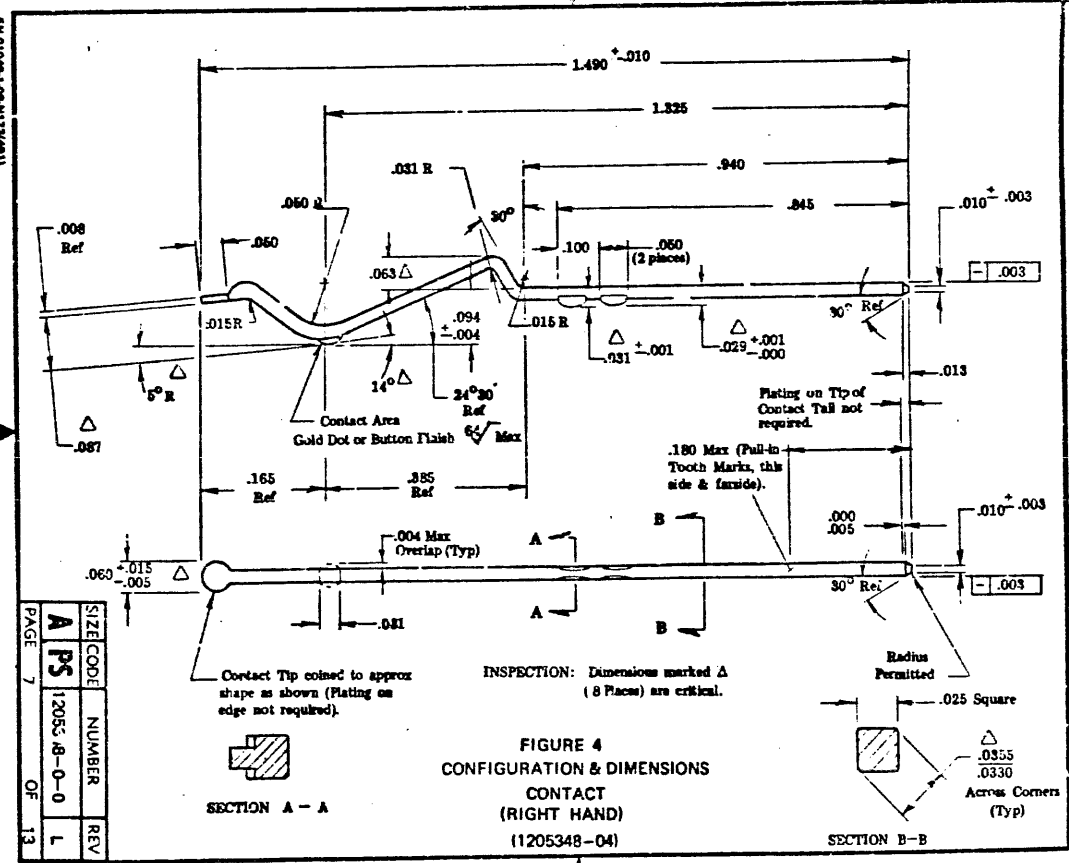
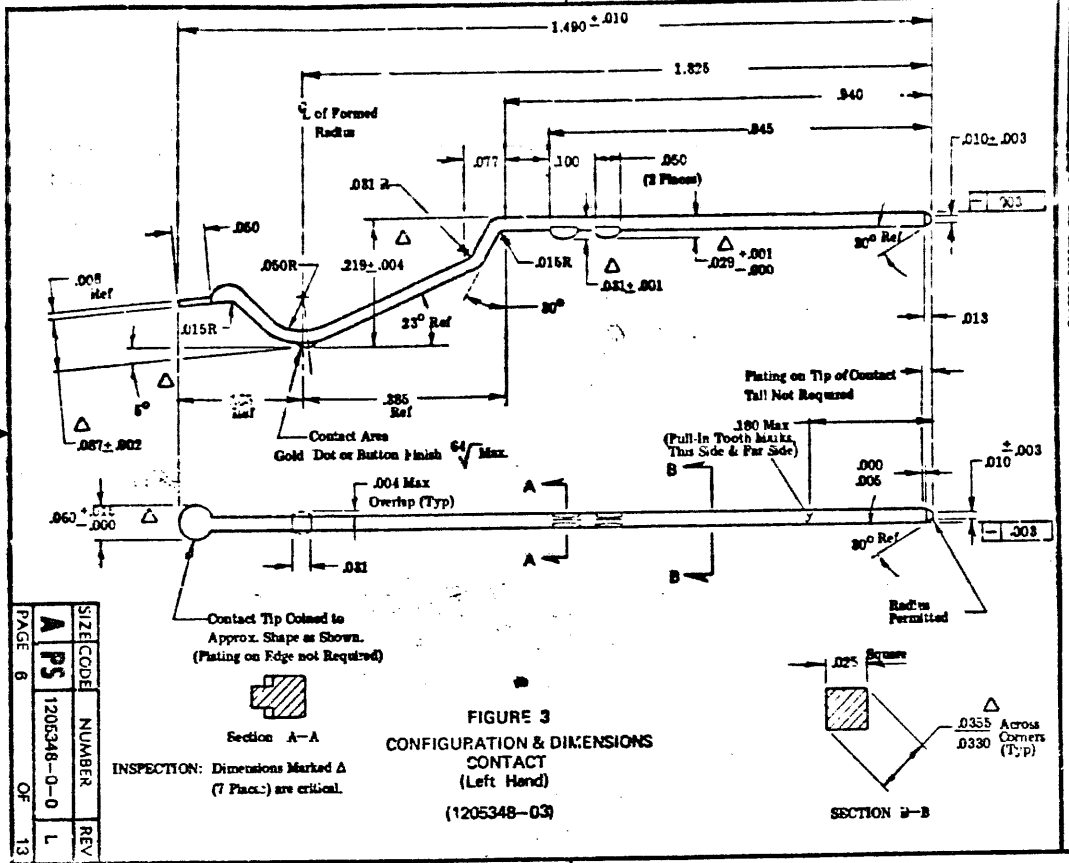
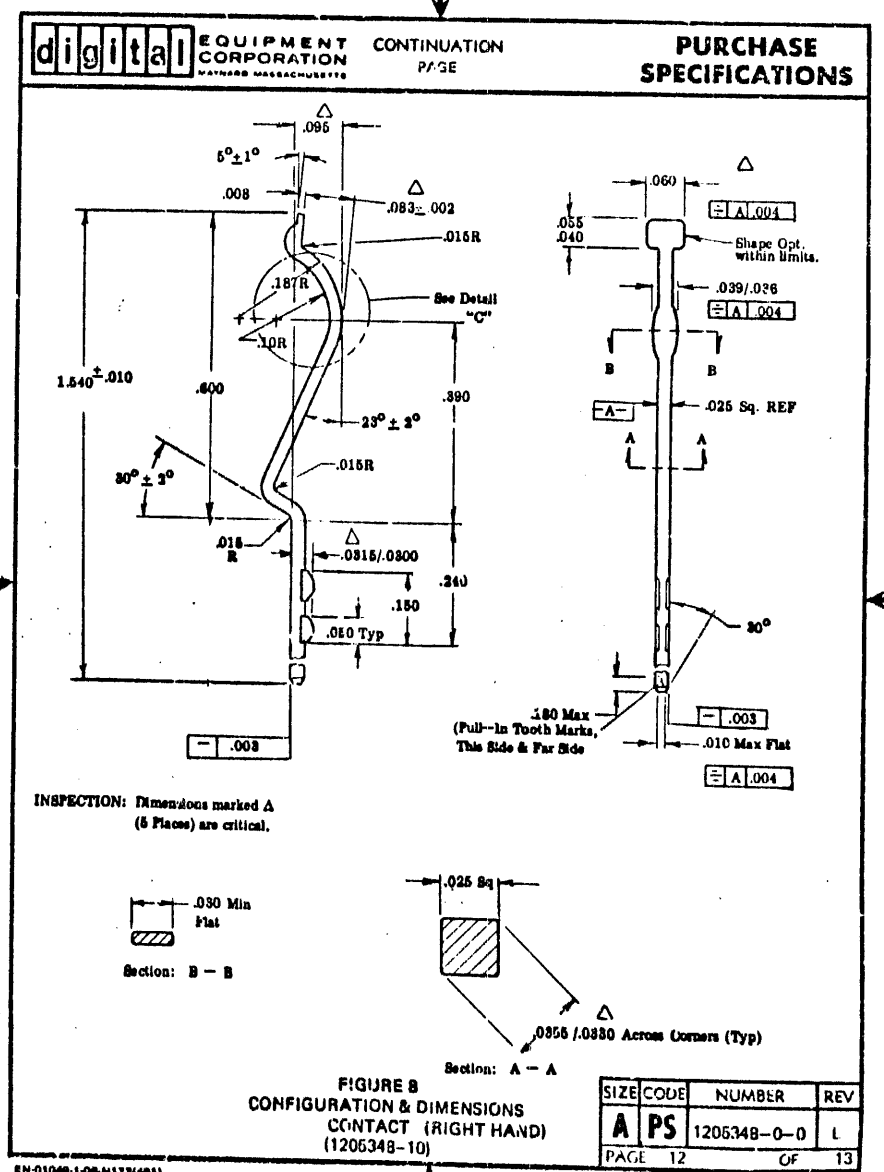
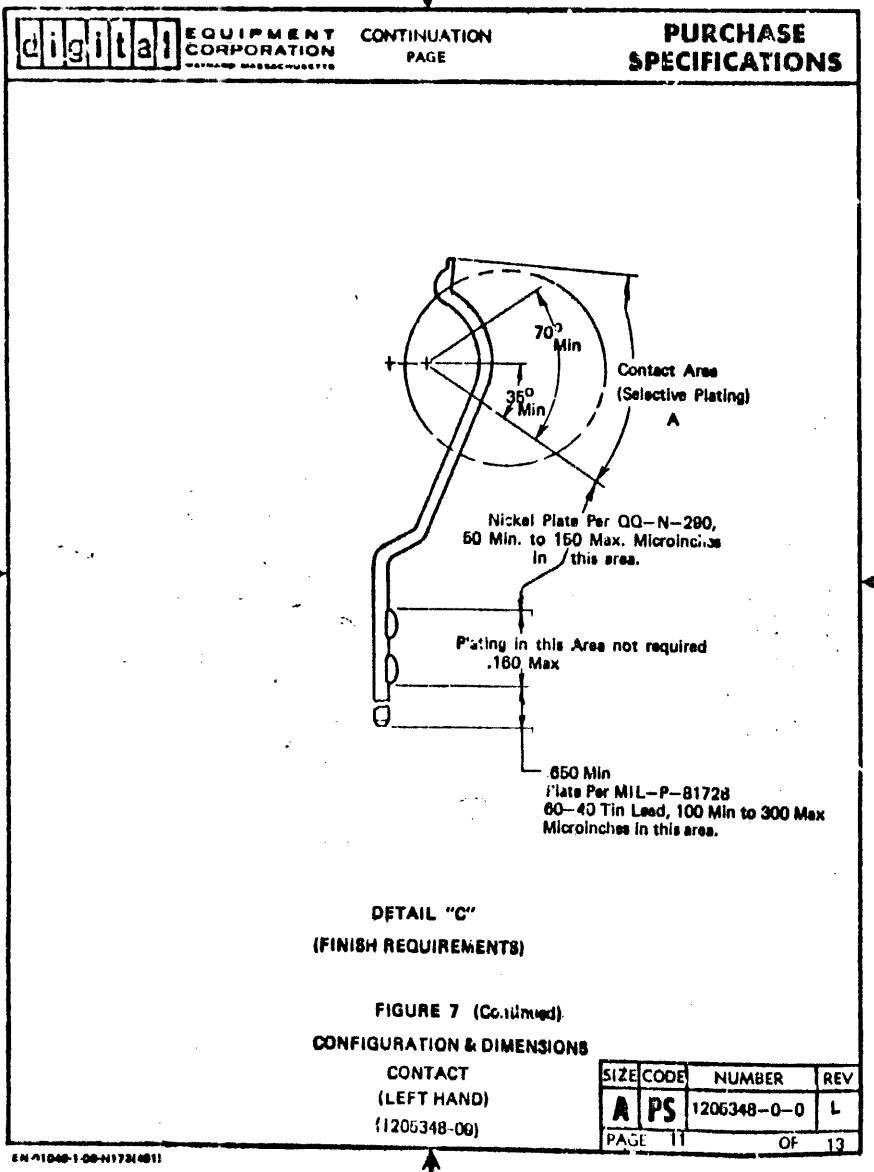
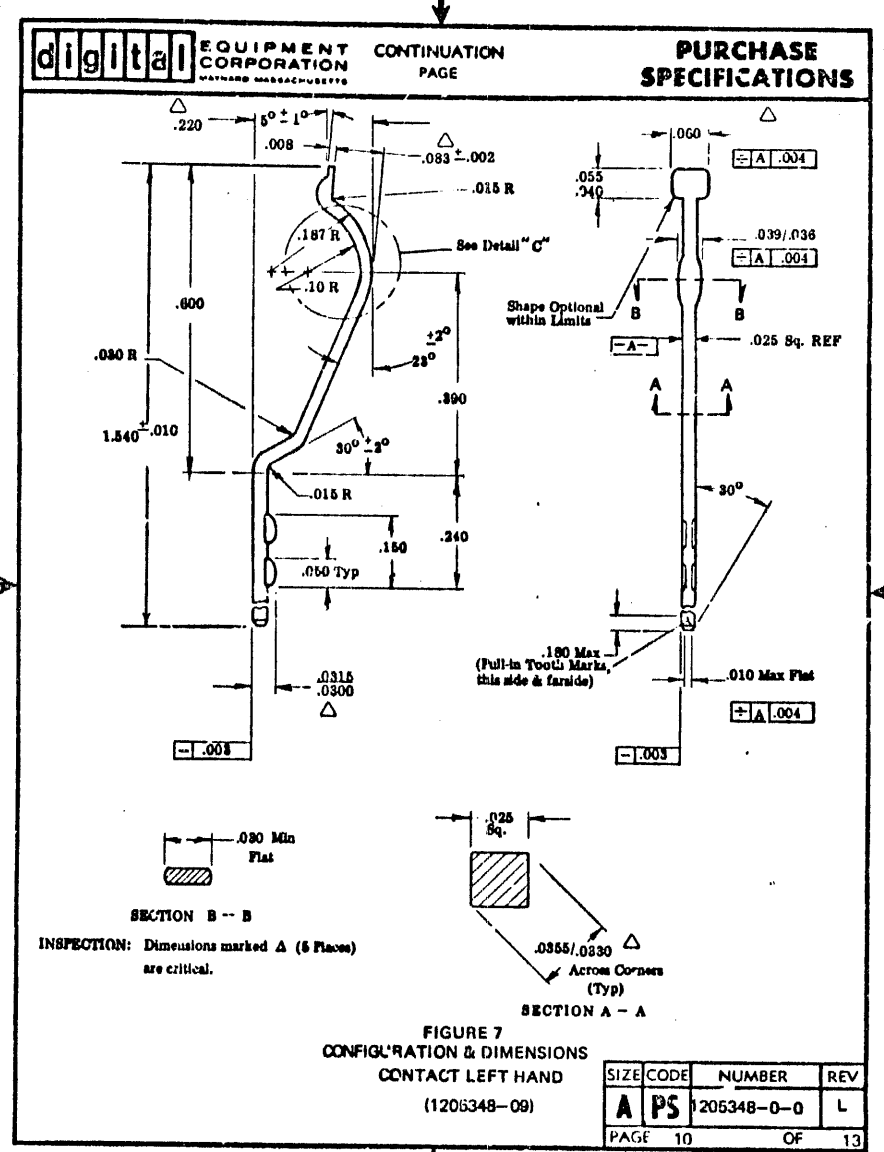
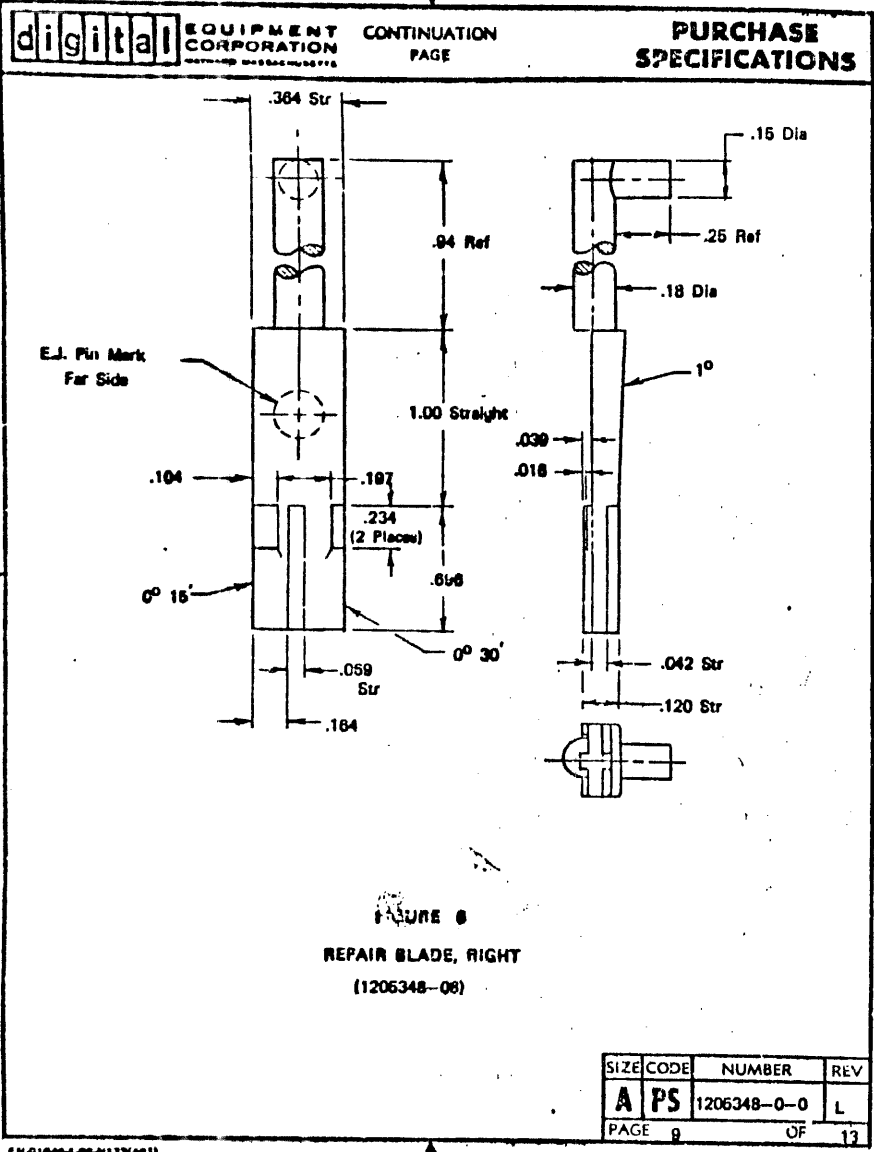


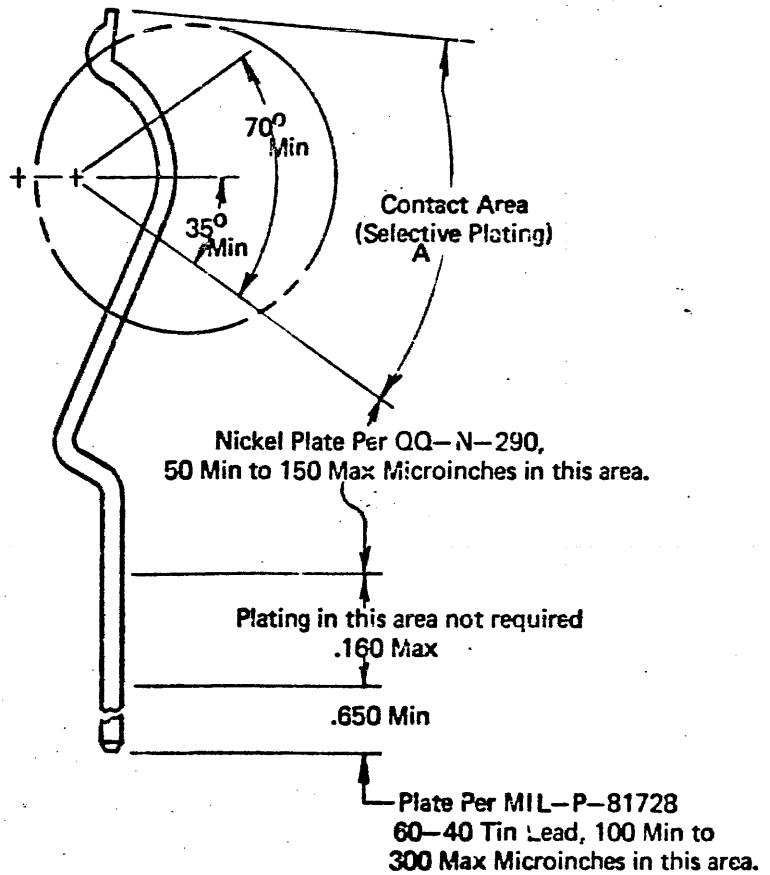
FIGURE 2  
CONFIGURATION & DIMENSIONS  
(1205348-13)

		TITLE: 1205348-13 DATE: 12/15/64 DRAWN: J. J. ... CHECKED: ... APPROVED: ...	
MATERIAL: ... FINISH: ...	QUANTITY: ... UNIT: ...	PART NO.: ... REV: ...	DATE: ... BY: ...









**DETAIL "C"**  
**(FINISH REQUIREMENTS)**

**FIGURE 8 (Continued)**  
**CONFIGURATION & DIMENSIONS**

**CONTACT**  
**(RIGHT HAND)**  
**(1205348-10)**

SIZE	CODE	NUMBER	REV
A	PS	1205348-0-0	L
PAGE 13		OF 13	

4

3

REV.


NUMBER

SIZE CODE

2

1

This drawing and specifications, herein, are the property of Digital Equipment Corporation and shall not be reproduced or copied or used in whole or in part as the basis for the manufacture or sale of items without written permission. 1316

FIRST USED ON OPTION MODEL	QTY.	DESCRIPTION	PART NO.	ITEM NO.
PDP-8/E	•			
PARTS LIST				
DRN. <i>M. Sanderson</i>	DATE 6-21-76	 <b>DIGITAL EQUIPMENT CORPORATION</b> MAYNARD, MASSACHUSETTS TITLE <h2 style="text-align: center;">WIRE LIST</h2> <p style="text-align: center;">(PEC FORMATTER INTERFACE)</p>		
CHK'D. <i>A. Spatelli</i>	DATE 11/9/76			
ENG. <i>John D. ...</i>	DATE 12-3-76			
PROJ. ENG. <i>John D. ...</i>	DATE 12-3-76			
PROD. <i>John D. ...</i>	DATE 12-2-76			
NEXT HIGHER ASSEMBLY				
D-AD-7013090-0-0		SIZE CODE	NUMBER	REV.
SCALE <i>1/1</i>		K WL	TR07-A-19	
SHEET 1 OF 1		DIST.		

REVISIONS	REV.
CHANGE NO.	
CHK	

4

3

↑

2

1

This drawing and specifications, herein, are the property of Digital Equipment Corporation and shall not be reproduced or copied or used in whole or in part as the basis for the manufacture or sale of items without written permission.

NOTES:

- \* PDP8/E BUS
- △ FORMATTER BUS
- INDICATOR CABLE
- DATA ADDRESS JUMPERS
- ◇ DEVICE CODE JUMPERS

	1	2	3	4	5	6	7	8	9	10	11	12	13	14	15	16	17	18	19	20	21	22	23	24	25	26	27	28	29	30	31	32
A	M 9 0 4	M 9 0 4	M 9 0 4			M 9 2 1	M 1 0 3	M 1 0 3	M 1 1 3	M 1 1 5	M 1 1 2	M 6 0 2	M 2 1 6	M 2 1 6	M 2 1 6	M 2 1 6	M 2 1 6	M 6 0 2	M 1 1 5	M 6 0 2	M 3 0 2	M 3 0 2				M 1 1 1	M 1 0 1	M 9 0 6				
B	M 9 0 4	M 9 0 4	M 9 0 4	M 9 0 4	M 9 0 4	M 1 0 1	M 1 0 1	M 1 1 1	M 6 1 1	M 2 1 6	M 2 1 6	M 1 1 3	M 2 1 6	M 2 1 6	M 2 1 6	M 1 1 3	M 2 1 6	M 1 1 2	M 2 0 5	M 1 1 2	M 1 2 1	M 1 2 1	M 2 1 6	M 2 1 6	M 1 1 3	M 6 1 1	M 1 0 1	M 9 0 6	M 9 1 2	M 9 1 2	M 9 1 2	M 9 1 2
C	M 9 0 0	M 6 2 3	M 6 2 3	M 6 2 3	M 6 2 3	M 6 2 3	M 1 1 1					M 2 1 6	M 6 0 2	M 1 1 9	M 1 1 1	M 6 0 2	M 2 0 5	M 2 0 5	M 1 2 1	M 1 2 1	M 6 2 3	M 6 2 3	M 6 2 3									
D																						M 0 5 0	M 0 5 0	M 0 8 0								

FIRST USED ON OPTION MODEL	QTY.	DESCRIPTION	PART NO.	ITEM NO.
PDP-8/E				

REV.	
CHANGE NO.	
CHK	

DRN. <i>Scarboree</i>	DATE 6-15-76
CHK'D. <i>A. Frattolli</i>	DATE 11/9/76
ENG. <i>W. D. ...</i>	DATE 12-3-76
PROJ. ENG. <i>W. D. ...</i>	DATE 12-3-76
PROD. <i>W. D. ...</i>	DATE 12-3-76
NEXT HIGHER ASSEMBLY	
B-00-TR07-A	
SCALE	
SHEET	OF

**DIGITAL EQUIPMENT CORPORATION**  
MAYNARD, MASSACHUSETTS

TITLE  
**MODULE UTILIZATION**

We Have TR07-~~E~~ - LH  
LM

SIZE CODE NUMBER REV.  
B MU TR07-A - 01

DIST.

# DIGITAL EQUIPMENT CORPORATION

MAYNARD, MASSACHUSETTS

## PARTS LIST

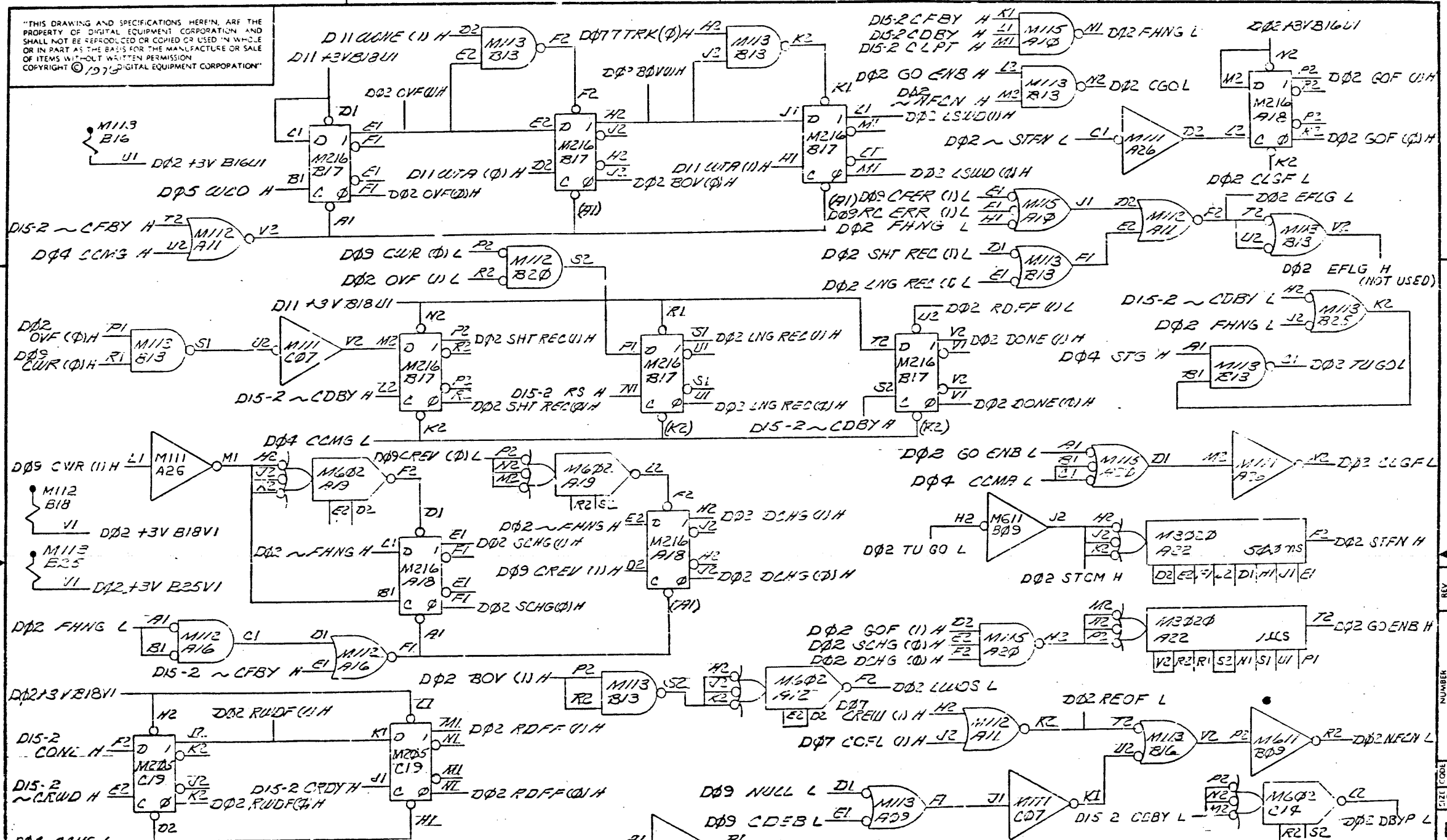
MADE BY <i>Scandwast</i>	CHECKED <i>J. Smith</i>	SECTION 1
DATE <i>6/8/76</i>	DATE <i>6/1/76</i>	ISSUED SECT. 1
ENG <i>W. J. ...</i>	PROD <i>J. ...</i>	
DATE <i>12-3-76</i>	DATE <i>12-3-76</i>	

### QUANTITY / VARIATION

ITEM NO.	DWG NO. / PART NO.	DESCRIPTION	2	3	4	5	6	7	8	9	10	11	12	13	14	15
	M05J	50 MA. INDICATOR DRIVER	2													
	M101	BUS DATA INTERFACE	4													
	M103	DEVICE SELECTOR	2													
	M111	INVERTER	4													
	M112	NOR GATES	4													
	M113	NAND GATES	4													
	M115	NAND GATES	2													
	M119	NAND GATES	1													
	M121	AND/OR GATES	4													
	M161	BINARY-TO-OCTAL/DECIMAL DECODER	1													
	M205	GENERAL PURPOSE FLIP-FLOPS	3													
	M216	SIX FLIP-FLOPS	13													
	M502	PULSE AMPLIFIER	5													
	M611	HIGH-SPEED POWER INVERTER	2													
	M623	BUS DRIVER	8													
	M906	CABLE TERMINATOR	2													
	M908	FLAT RIBBON CABLE CONNECTOR	2													
	M921	DEVICE CODE SELECT JUMPER BOARD	1													
	M3020	DUAL DELAY MULTIVIBRATORS	2													
	M912	CABLE CONNECTOR CARD	2													

TITLE <b>MODULE UTILIZATION</b>	ASSY NO. B-MU-TR07-A -01	SIZE CODE <b>A PL</b>	NUMBER TR07-A -01	REV.	ECO NO.
SHEET 1 OF 1		DIST.			

"THIS DRAWING AND SPECIFICATIONS HEREIN ARE THE PROPERTY OF DIGITAL EQUIPMENT CORPORATION AND SHALL NOT BE REPRODUCED OR COPIED OR USED IN WHOLE OR IN PART AS THE BASIS FOR THE MANUFACTURE OR SALE OF ITEMS WITHOUT WRITTEN PERMISSION  
 COPYRIGHT © 1975 DIGITAL EQUIPMENT CORPORATION"

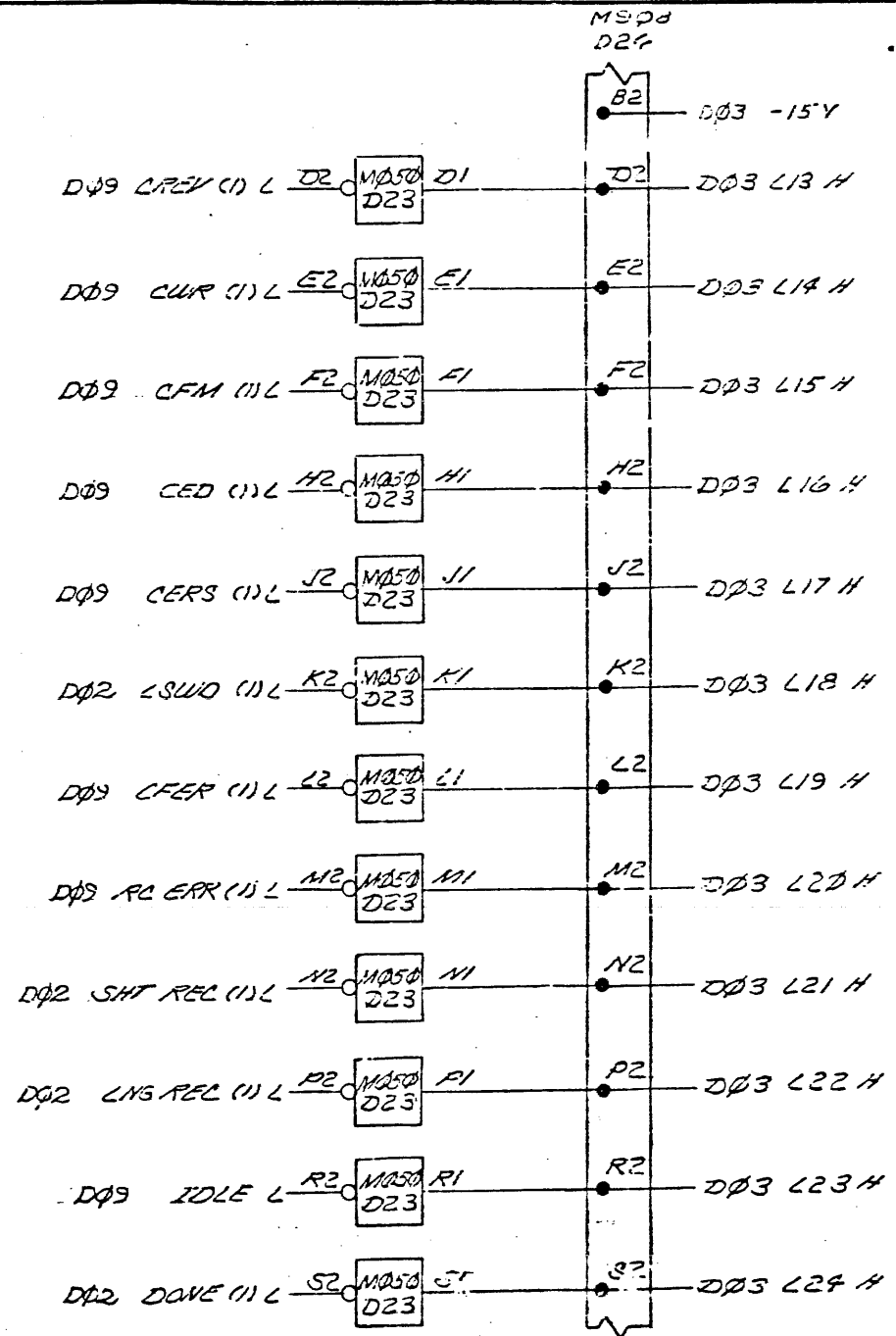
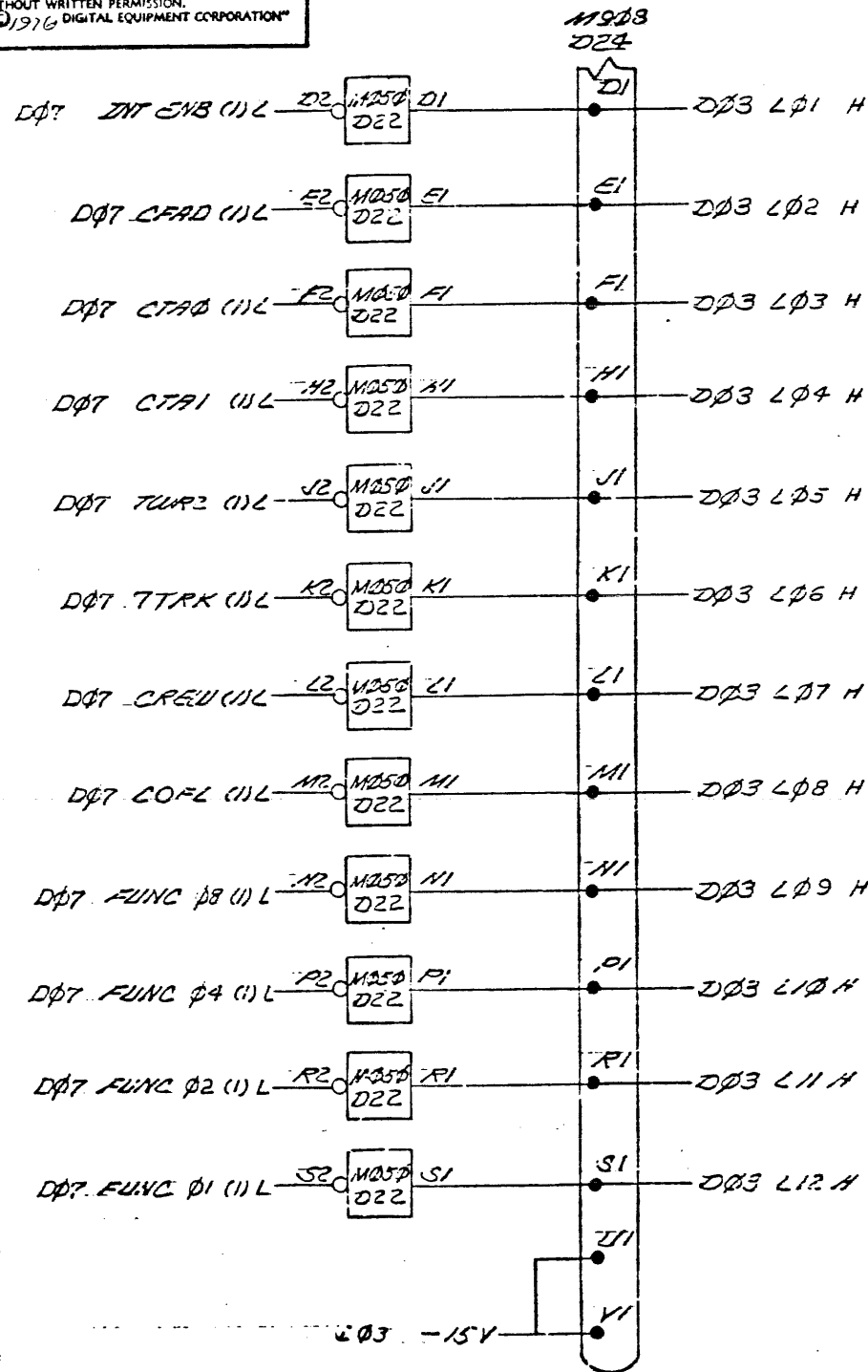


REV.	CHANGE NO.

FIRST USED ON OPTION MODEL	QTY.	DESCRIPTION	PART NO.	ITEM NO.
PDP-8/E				
UNLESS OTHERWISE SPECIFIED DIMENSION IN INCHES				
TOLERANCES				
DECIMALS	ANGLES	DATE		
.xxx = .005	±0° 30'	5/1/75		
.xx = .02		DATE		
.x = .1		2/2/75		
REMOVE BURRS AND BREAK SHARP CORNERS SURFACE QUALITY 1	DATE			
NEXT HIGHER ASSY.				
MATERIAL	B-DDTR07-A			
FINISH	SCALE			
	SHEET			
PARTS LIST		TITLE		
digital		EQUIPMENT CORPORATION MAYNARD MASSACHUSETTS		
FORMAT CONTROL				
SIZE	CODE	NUMBER	REV.	
CBS	TR07-A	-02		

REV. NUMBER  
CBS TR07-A -02

THIS DRAWING AND SPECIFICATIONS, HEREIN, ARE THE PROPERTY OF DIGITAL EQUIPMENT CORPORATION AND SHALL NOT BE REPRODUCED OR COPIED OR USED IN WHOLE OR IN PART AS THE BASIS FOR THE MANUFACTURE OR SALE OF ITEMS WITHOUT WRITTEN PERMISSION. COPYRIGHT © 1976, DIGITAL EQUIPMENT CORPORATION



REV.	
CHANGE NO.	
CHK	

DRN	3-12-76	FIRST USED ON	digital
CHK'D	4/1/76	TITLE	INDICATOR DRIVERS
ENG.			
PROJ. ENG.			
PROD.			
NEXT HIGHER ASSY.			
B-DUTR-7-A		SIZE CODE	C 33
SCALE		NUMBER	IR07-A-03
SHEET	1 OF 1	DIST.	

REV. NUMBER C 33 IR07-A-03

4

3

2

1

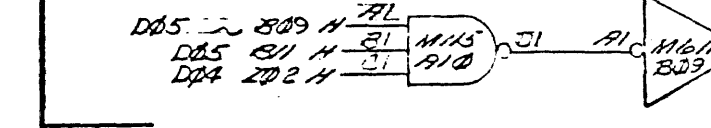
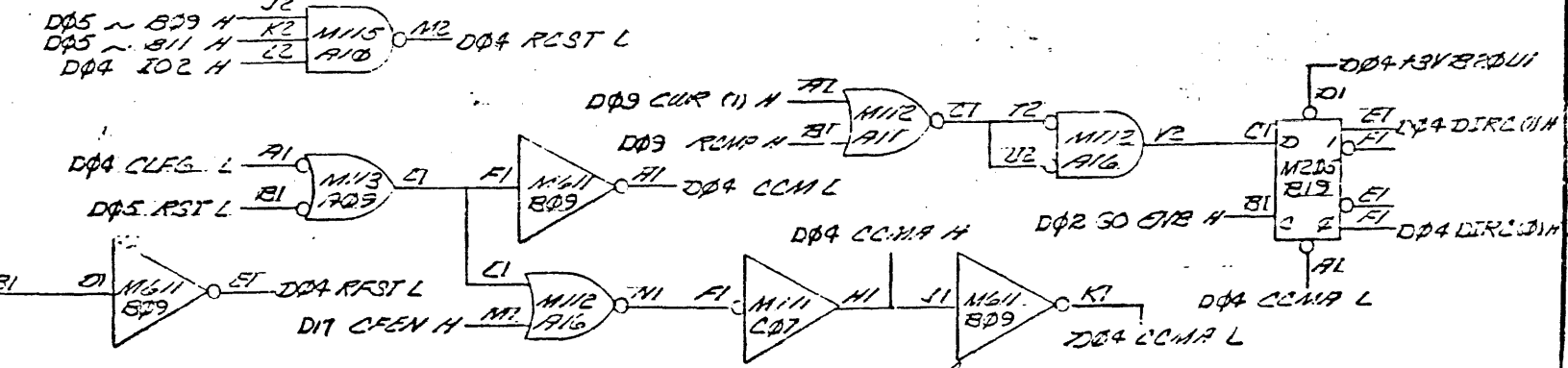
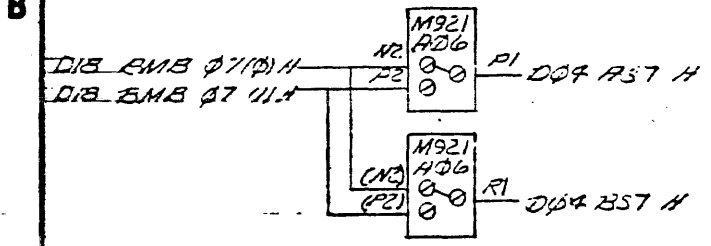
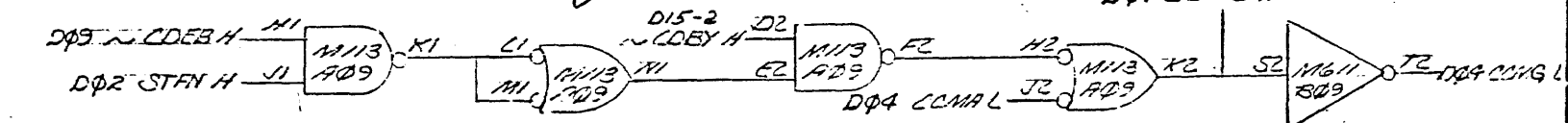
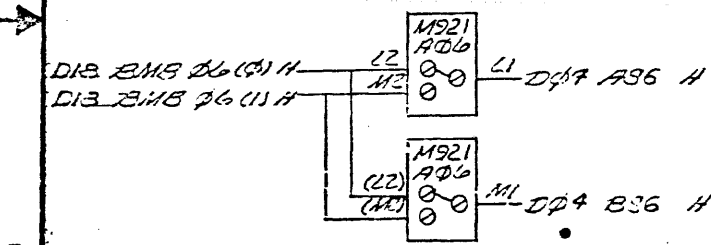
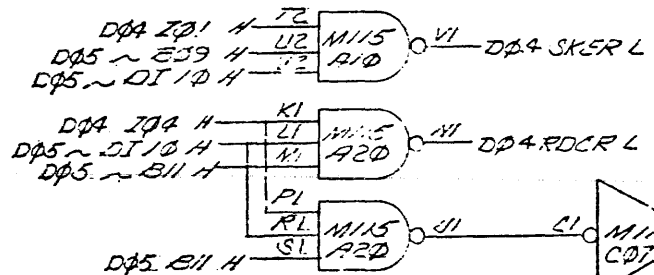
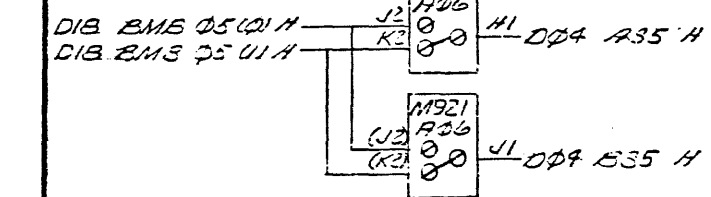
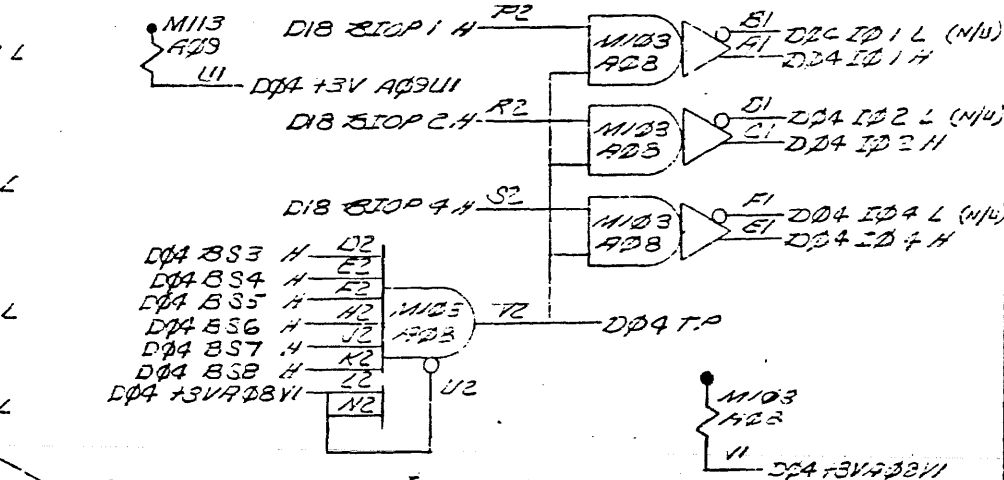
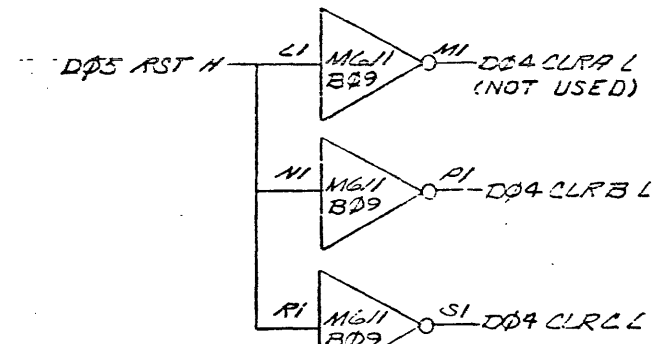
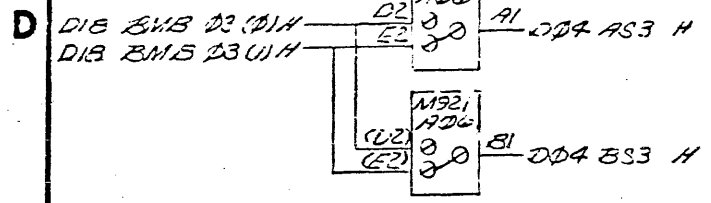
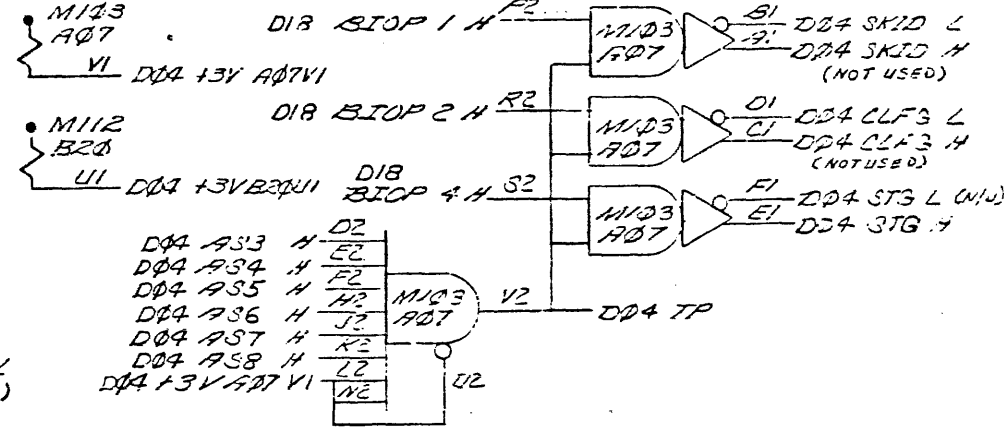
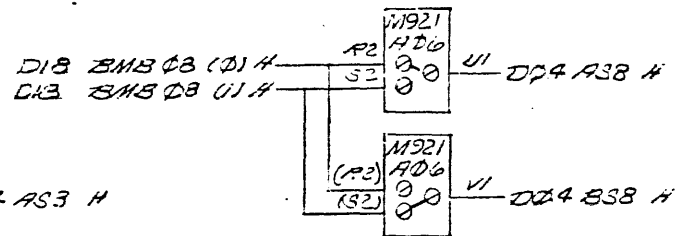
"THIS DRAWING AND SPECIFICATIONS, HEREIN, ARE THE PROPERTY OF DIGITAL EQUIPMENT CORPORATION AND SHALL NOT BE REPRODUCED OR COPIED OR USED IN WHOLE OR IN PART AS THE BASIS FOR THE MANUFACTURE OR SALE OF ITEMS WITHOUT WRITTEN PERMISSION. COPYRIGHT © 1974 DIGITAL EQUIPMENT CORPORATION"

D

C

B

A



NOTE:  
M921 SHOWN JUMPED AS FOLLOWED:  
DEVICE CODE A = 70  
DEVICE CODE B = 71

DRN	5-17-73	FIRST USED ON	digital
CHK'D	11/1/73	PDR/E	
ENG.		TITLE	8 CONTROL
PROJ. ENG.		SIZE	C
PROD.		CODE	ES
NEXT HIGHER ASSY.		NUMBER	TR07-A-04
B-00-TR07-A		REV.	
SCALE		DIST.	
SHEET		OF	

4

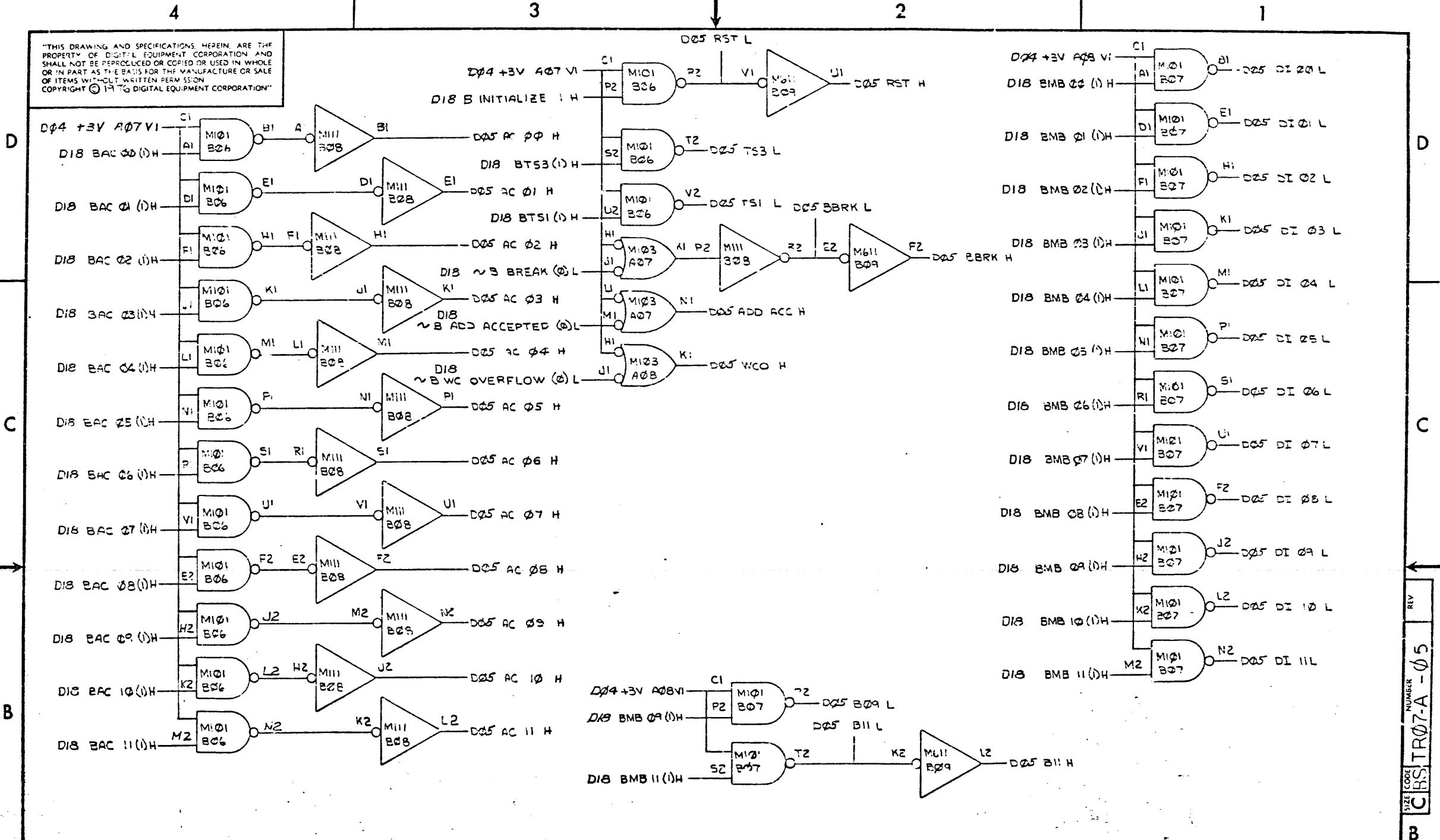
3

2

1

REV. NUMBER  
TR07-A-04

"THIS DRAWING AND SPECIFICATIONS, HEREIN, ARE THE PROPERTY OF DIGITAL EQUIPMENT CORPORATION AND SHALL NOT BE REPRODUCED OR COPIED OR USED IN WHOLE OR IN PART AS THE BASIS FOR THE MANUFACTURE OR SALE OF ITEMS WITHOUT WRITTEN PERMISSION. COPYRIGHT © 1976 DIGITAL EQUIPMENT CORPORATION."



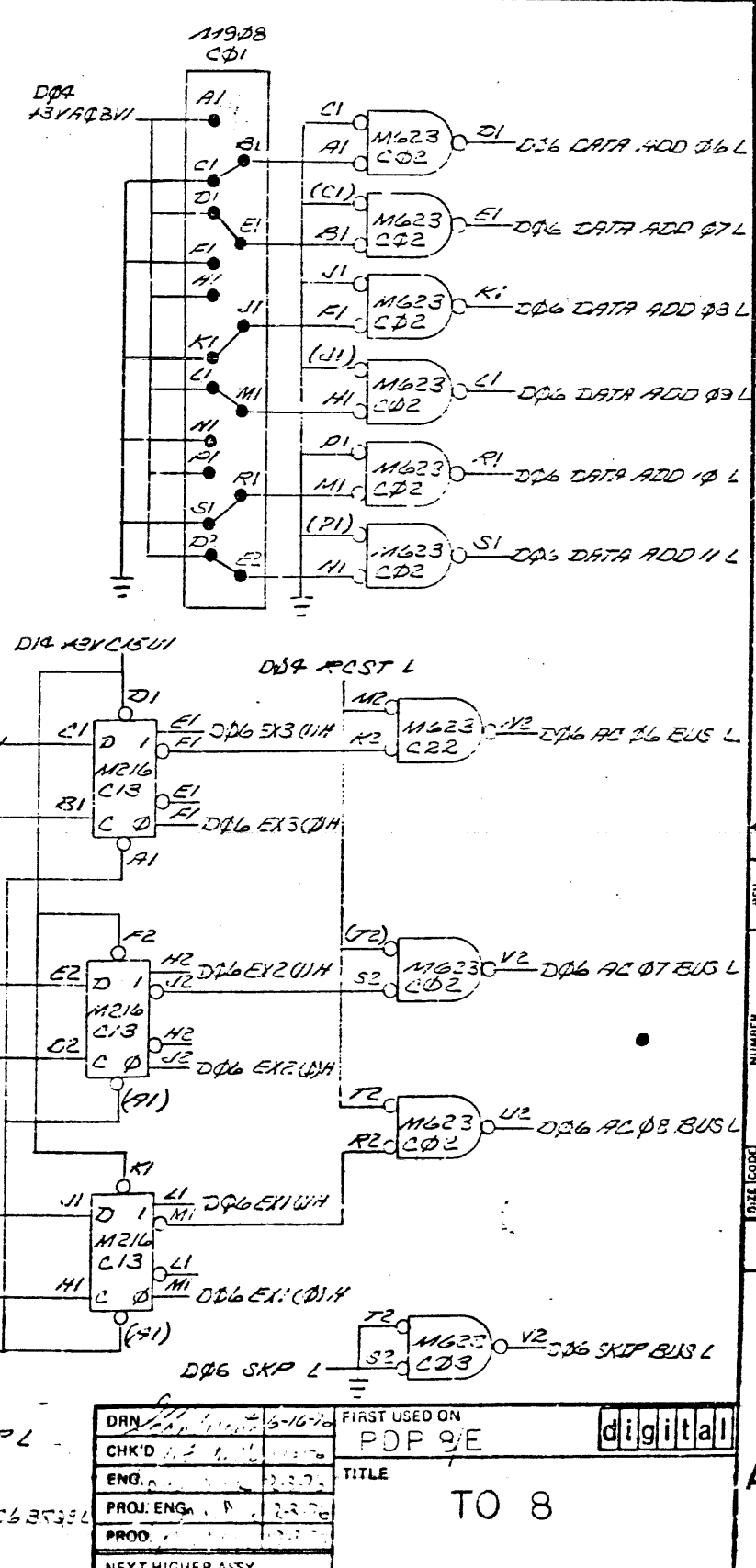
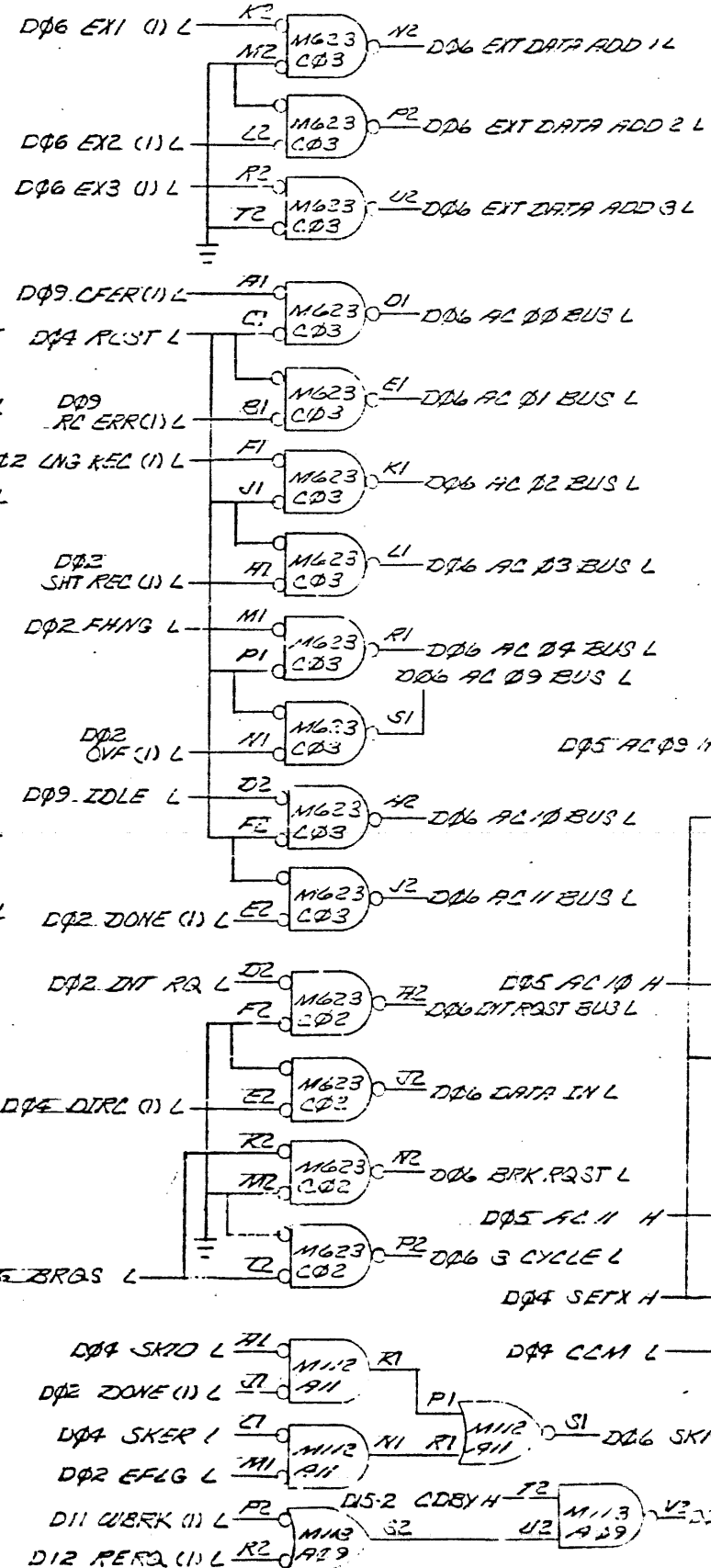
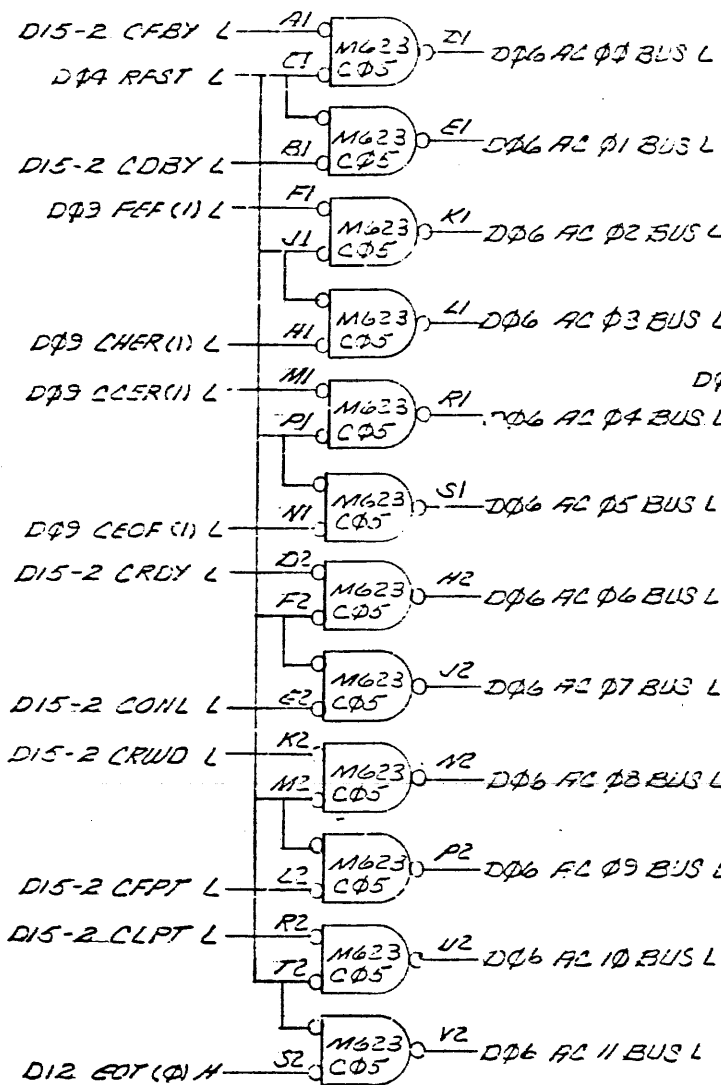
REV.	NO.
CHG.	NO.
CHK.	

FIRST USED ON OPTION/MODEL	QTY.	DESCRIPTION	PART NO.	ITEM NO.
PDP 8/E				
PARTS LIST				
UNLESS OTHERWISE SPECIFIED DIMENSION IN INCHES		DATE	<div style="display: flex; align-items: center;"> <div style="margin-left: 5px;"> <p><b>digital</b> CORPORATION MAYFORD MASSACHUSETTS</p> </div> </div>	
TOLERANCES		DATE		
DECIMALS	ANGLES	DATE		
.xxx = .005	±0° 30'	DATE		
.xx = .02		DATE	<p>TITLE</p> <p style="font-size: 2em;">FROM 8</p>	
.x = .1		DATE		
REMOVE BURRS AND BREAK SHARP CORNERS SURFACE QUALITY V	PROD.	DATE		
MATERIAL	NEXT HIGHER ASSY.			
	B-DD-FR07-A	SIZE CODE	NUMBER	REV.
FINISH	SCALE	C RS TR07-A -05		
	SHEET	DIST		

REV. NO. C RS TR07-A -05



THIS DRAWING AND SPECIFICATIONS, HEREIN, ARE THE PROPERTY OF DIGITAL EQUIPMENT CORPORATION AND SHALL NOT BE REPRODUCED OR COPIED OR USED IN WHOLE OR IN PART AS THE BASIS FOR THE MANUFACTURE OR SALE OF ITEMS WITHOUT WRITTEN PERMISSION.  
 COPYRIGHT © 1973 DIGITAL EQUIPMENT CORPORATION



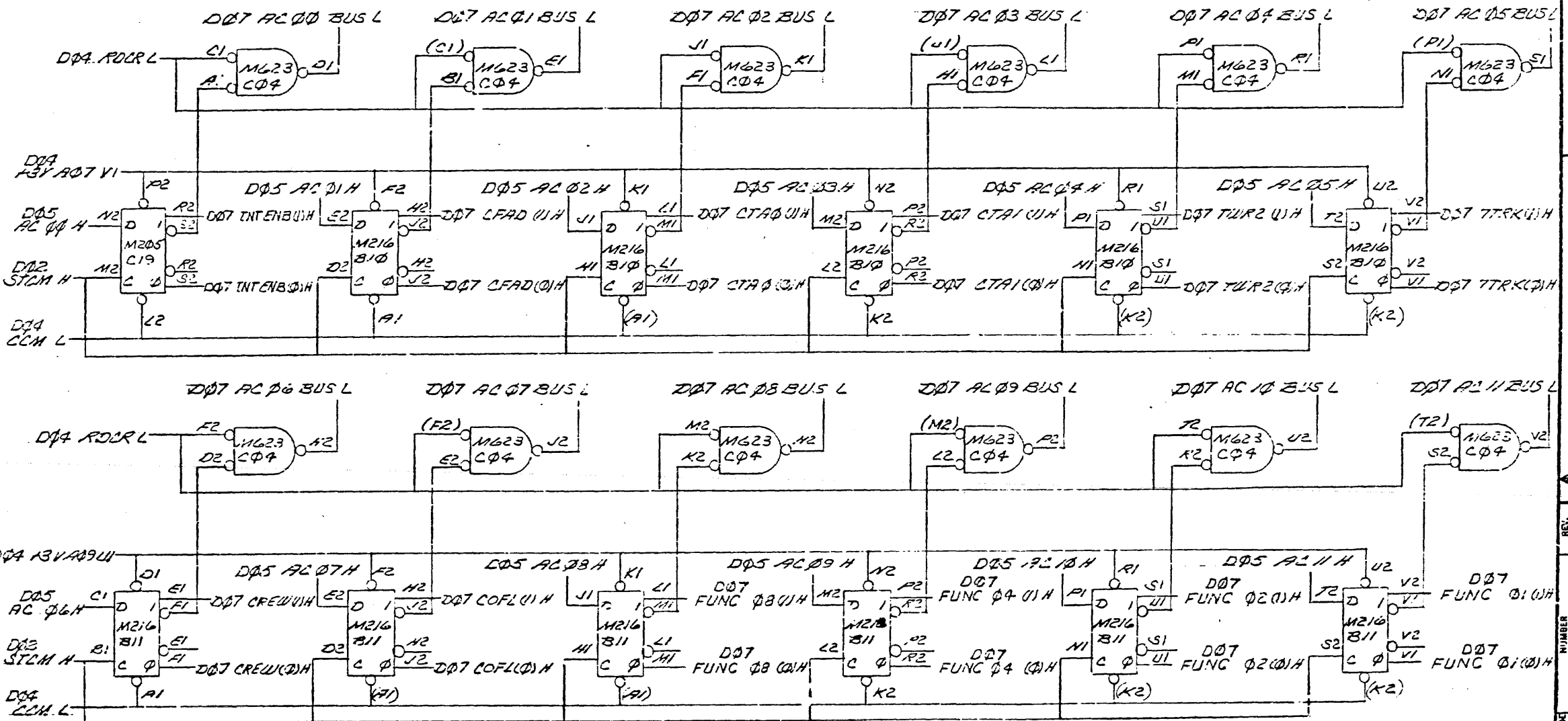
NOTES:  
 THE FOLLOWING POINTS SHOULD BE GROUNDED  
 B04 B1  
 B04 D1  
 B04 E1  
 B04 H1  
 B04 J1  
 B04 L1  
 THIS WILL ALLOW A DATA ADD OF 77 XX  
 WHERE XX IS DETERMINED BY THE JUMPER  
 BOARD IN C01.  
 THE MODULE IN SLOT C01 IS SHOWN JUMPED  
 FOR XX=52

DRN	15-1076	FIRST USED ON	digital
CHK'D		PDP 9/E	
ENG.		TITLE	TO 8
PROJ. ENG.			
PROD.			
NEXT HIGHER ASSY.			
B-00-TR07-A	SIZE CODE	NUMBER	REV.
SCALE	C	BS TR07-A-06	
SHEET	OF	DIST.	

REV.	
CHANGE NO.	
REVISIONS	

REV. NUMBER C BS TR07-A-06

"THIS DRAWING AND SPECIFICATIONS, HEREIN, ARE THE PROPERTY OF DIGITAL EQUIPMENT CORPORATION AND SHALL NOT BE REPRODUCED OR COPIED OR USED IN WHOLE OR IN PART AS THE BASIS FOR THE MANUFACTURE OR SALE OF ITEMS WITHOUT WRITTEN PERMISSION. COPYRIGHT © 1970 DIGITAL EQUIPMENT CORPORATION"

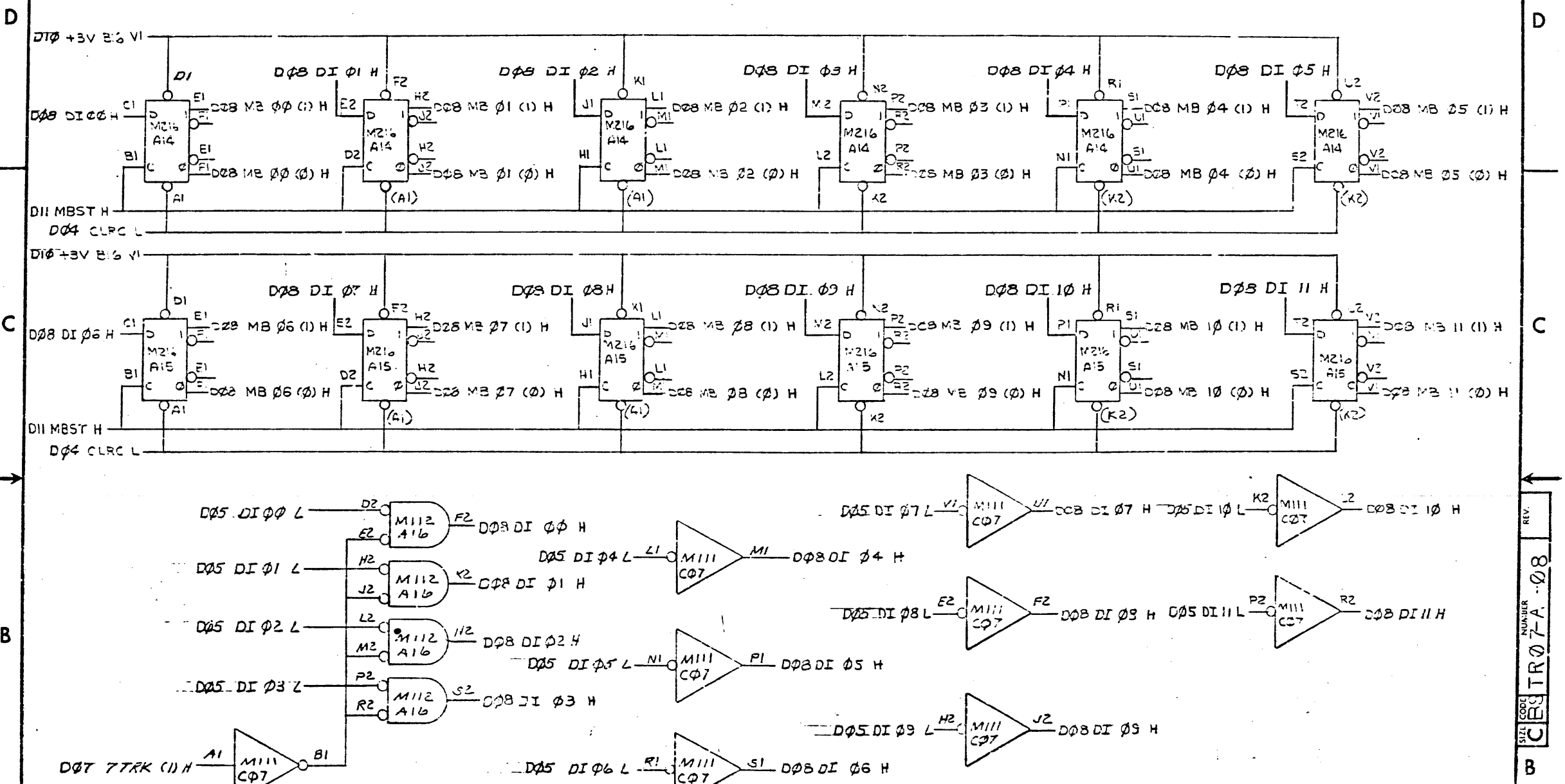


REV.	
CHANGE NO.	
CHK	

DRN	6-18-70	FIRST USED ON	digital
CHK'D		POP-8/E	
ENG		TITLE	COMMAND REG
PROJ. ENG.			
PROD.			
NEXT HIGH LVL ASSY.			
B-DIST TR07-A	SIZE CODE	NUMBER	REV.
SCALE	C	ES TR07-A -07	
SHEET	OF	DIST.	

REV. NUMBER TR07-A-07

"THIS DRAWING AND SPECIFICATIONS HEREIN ARE THE PROPERTY OF DIGITAL EQUIPMENT CORPORATION AND SHALL NOT BE REPRODUCED OR COPIED OR USED IN WHOLE OR IN PART AS THE BASIS FOR THE MANUFACTURE OR SALE OF ITEMS WITHOUT WRITTEN PERMISSION. COPYRIGHT © DIGITAL EQUIPMENT CORPORATION"

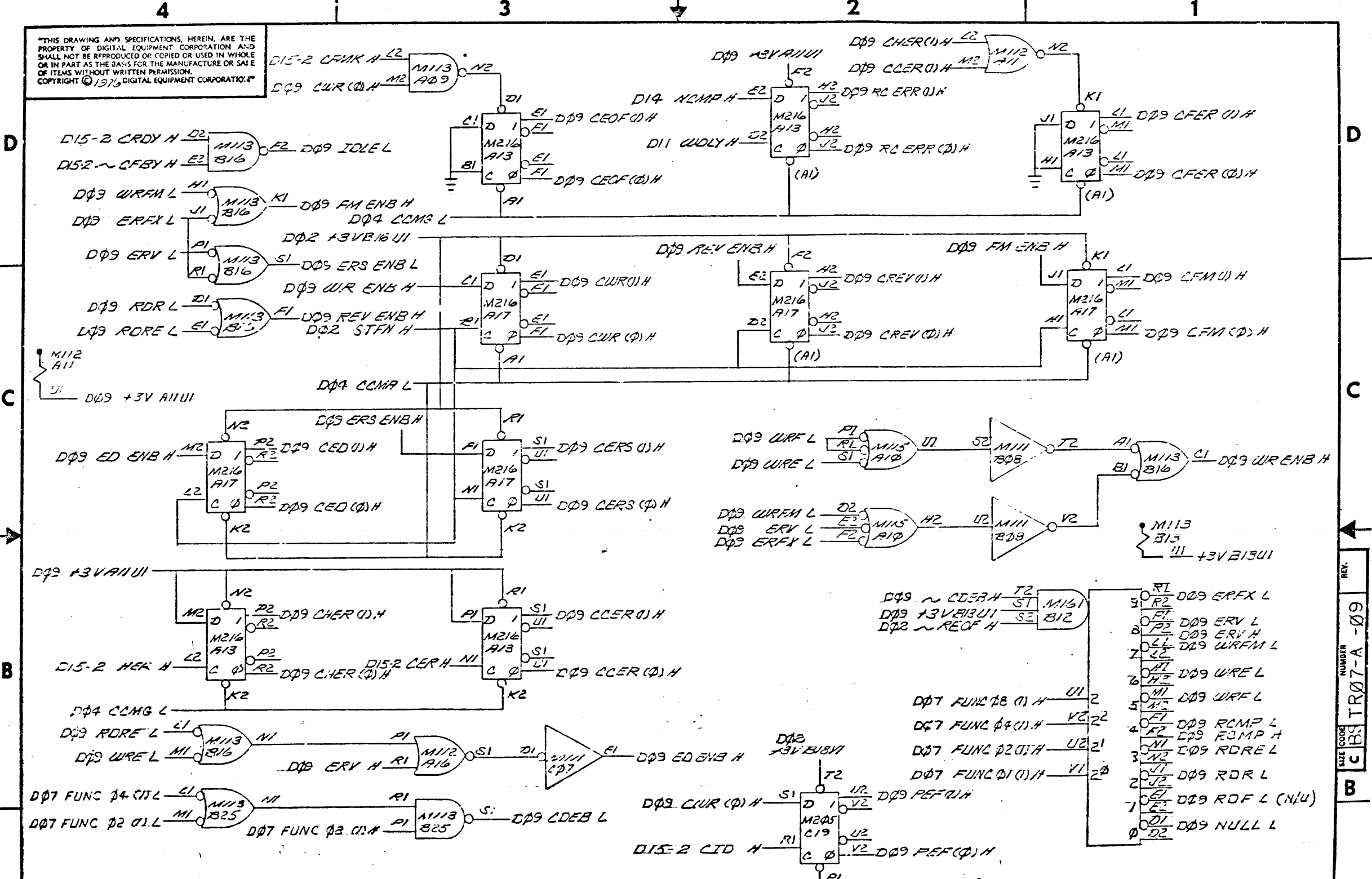


REV	
CHANGE NO.	
CHK	

FIRST USED ON OPTION/MODEL	QTY.	DESCRIPTION	PART NO.	ITEM NO.
PDP-3/E		PARTS LIST		
UNLESS OTHERWISE SPECIFIED DIMENSION IN INCHES	DRN. <i>T. D. Allen</i>	DATE 6-11-76		
TOLERANCES	CHK'D. <i>T. D. Allen</i>	DATE 6/11/76		
DECIMALS .xxx = .005	ENG. <i>T. D. Allen</i>	DATE 2-3-76	<b>MEMORY BUFFER</b>	
ANGLES ±0° 00'	PROJ. ENG. <i>T. D. Allen</i>	DATE 2-3-76		
.xx = .02	PRGD. <i>T. D. Allen</i>	DATE 2-3-76		
.x = .1	REMOVE BURRS AND BREAK SHARP CORNERS SURFACE QUALITY V			
MATERIAL	NEXT HIGHER ASSY.		SIZE	CODE
	B-DD-TR07-A		C	RS TR07-A -08
FINISH	SCALE	SHEET	DIST	REV.

REV. NUMBER  
CERS TR07-A-08

"THIS DRAWING AND SPECIFICATIONS, HEREIN, ARE THE PROPERTY OF DIGITAL EQUIPMENT CORPORATION AND SHALL NOT BE REPRODUCED OR COPIED OR USED IN WHOLE OR IN PART AS THE BASIS FOR THE MANUFACTURE OR SALE OF ITEMS WITHOUT WRITTEN PERMISSION. COPYRIGHT © 1976 DIGITAL EQUIPMENT CORPORATION."

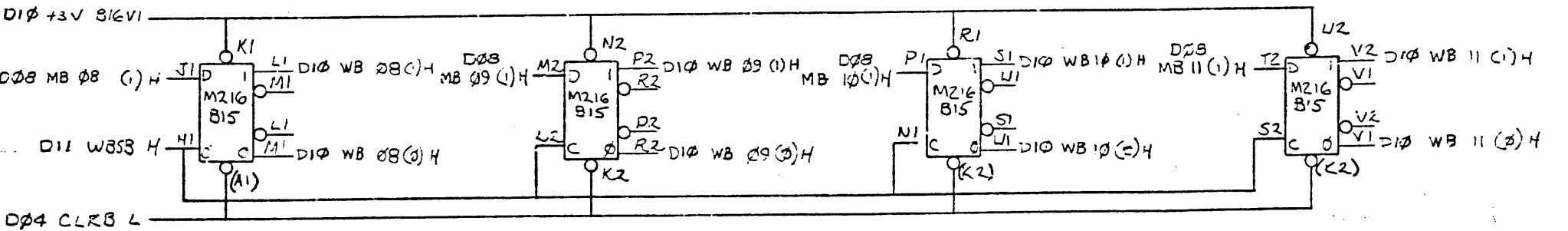
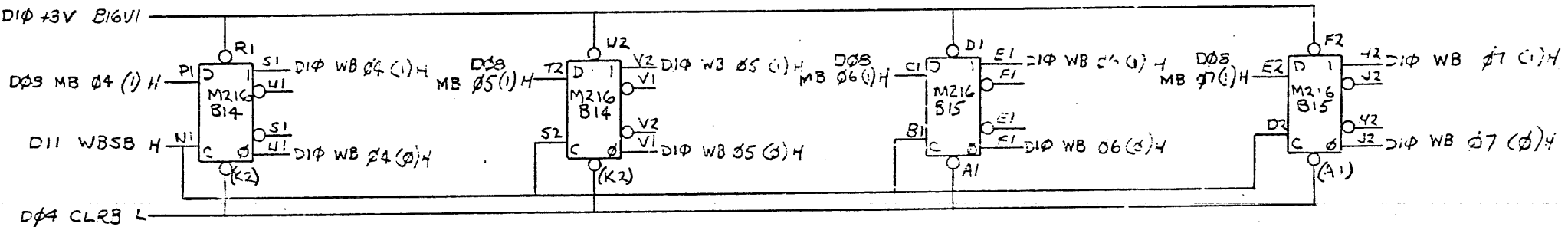
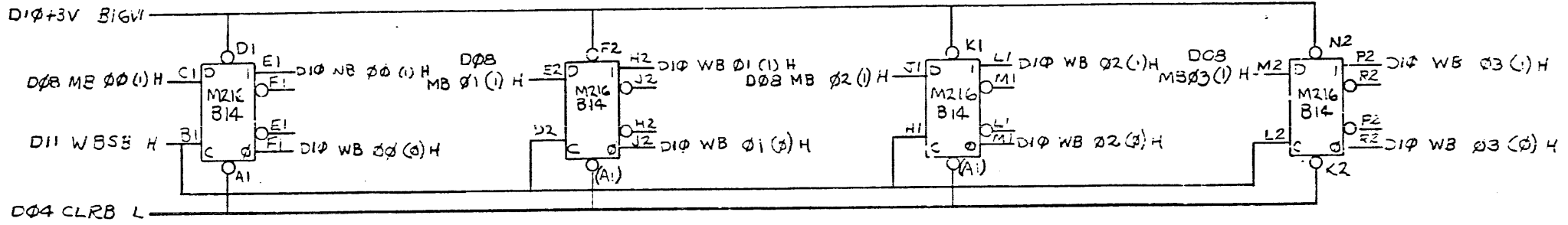


REV.	
REVISIONS	
CHANGE NO.	
DATE	

DHW.	5-8-72	FIRST USED ON	PDP-8/E	digital
CHK'D		TITLE	FORMAT CONTROL	
ENG.				
PROJ. ENG.				
PROD.				
NEXT IN SERIES				
SIZE	C	COCG	BS	NUMBER
SCALE				TR07-A -09
SHEET	1 OF 1	DIST.		REV.

REV. NUMBER C BS TR07-A -09

"THIS DRAWING AND SPECIFICATIONS HEREIN ARE THE PROPERTY OF DIGITAL EQUIPMENT CORPORATION AND SHALL NOT BE REPRODUCED OR COPIED OR USED IN WHOLE OR IN PART AS THE BASIS FOR THE MANUFACTURE OR SALE OF ITEMS WITHOUT WRITTEN PERMISSION. COPYRIGHT © 1976, DIGITAL EQUIPMENT CORPORATION"



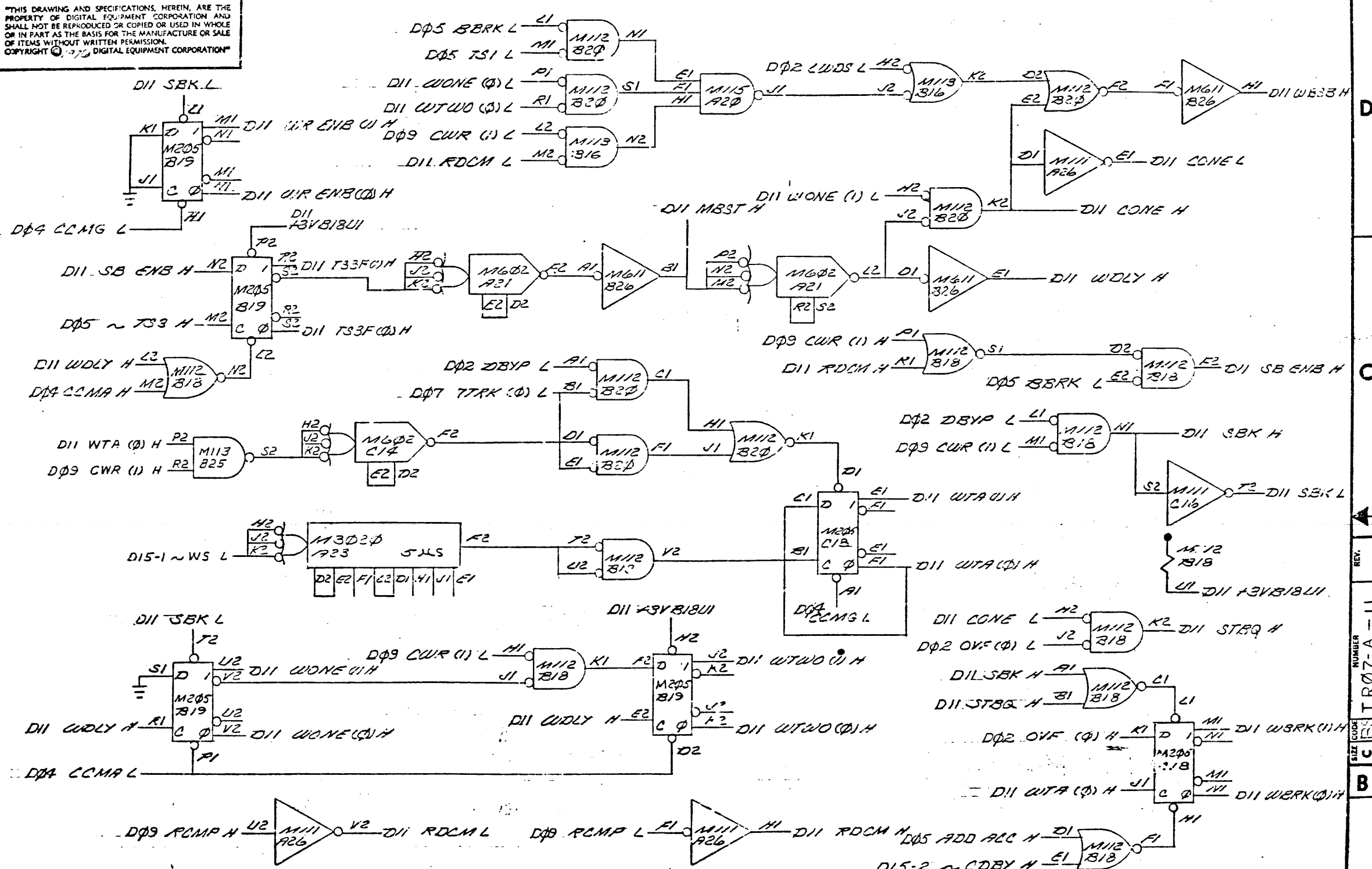
M113  
B16  
V1 D10 +3V B16V1

REV.	CHANGE NO.	REVISIONS

FIRST USED ON OPTION/MODEL PDP-8/E	QTY.	DESCRIPTION	PART NO.	ITEM NO.
PARTS LIST				
UNLESS OTHERWISE SPECIFIED DIMENSION IN INCHES	DRN. 5/11/76	DATE 6-2-76	<b>digital</b> EQUIPMENT CORPORATION MAYNARD MASSACHUSETTS	
TOLERANCES	CHK'D. 7/2/76	DATE 7/2/76	TITLE WRITE BUFFER	
DECIMALS .xxx = .005	ENG. R. H. HARRIS	DATE 7-2-76		
ANGLES .xx = .02	PROJ. ENG.	DATE		
.x = .1	PROD.	DATE		
REMOVE BURRS AND BREAK SHARP CORNERS SURFACE QUALITY $\sqrt{\text{v}}$	NEXT HIGHER ASSY.			
MATERIAL --SS--	B-DD-TR07-A	SIZE CODE CBS	NUMBER TR07-A-10	REV.
FINISH --SS--	SCALE	SHEET	OF 1	DIST.

REV. INQUIRY NUMBER CBS TR07-A-10

THIS DRAWING AND SPECIFICATIONS, HEREIN, ARE THE PROPERTY OF DIGITAL EQUIPMENT CORPORATION AND SHALL NOT BE REPRODUCED OR COPIED OR USED IN WHOLE OR IN PART AS THE BASIS FOR THE MANUFACTURE OR SALE OF ITEMS WITHOUT WRITTEN PERMISSION. COPYRIGHT © 1967 DIGITAL EQUIPMENT CORPORATION

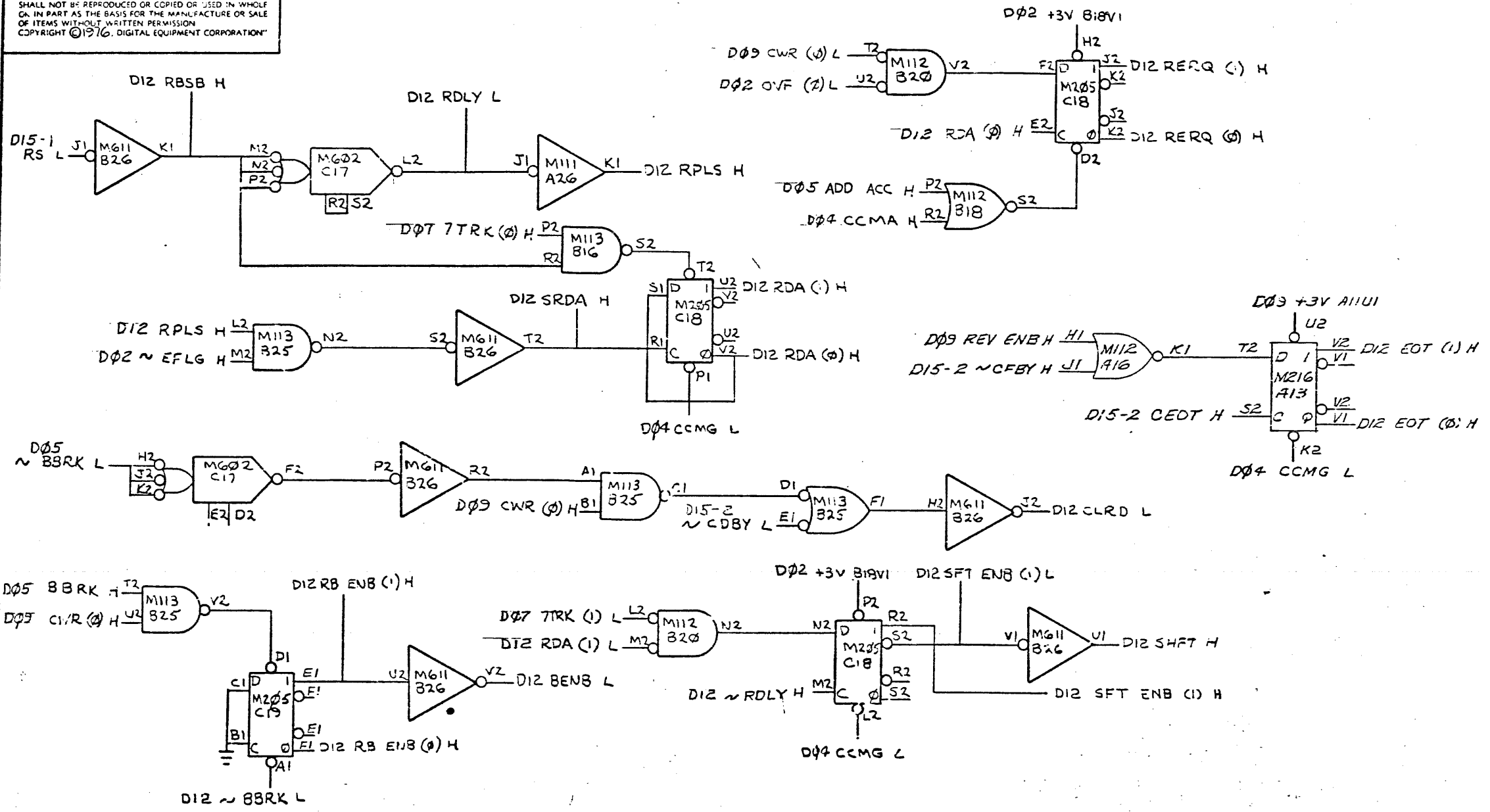


DRN	6-7-71	FIRST USED ON	PDP-3/E	Digital
CHK'D	4-1-71	TITLE	WRITE CONTROL	
ENG.	12-2-71	SIZE	C	CODE
PROJ. ENG.	2-2-71	NUMBER	TR07-A-11	
PROD.	2-2-71	REV.		
NEXT HIGHER ASSY.		SHEET	OF 1	DIST.

REV.	
CHANGE NO.	
CHK	

REV. NUMBER C TR07-A-11

"THIS DRAWING AND SPECIFICATIONS, HEREIN, ARE THE PROPERTY OF DIGITAL EQUIPMENT CORPORATION AND SHALL NOT BE REPRODUCED OR COPIED OR USED IN WHOLE OR IN PART AS THE BASIS FOR THE MANUFACTURE OR SALE OF ITEMS WITHOUT WRITTEN PERMISSION. COPYRIGHT © 1976, DIGITAL EQUIPMENT CORPORATION"

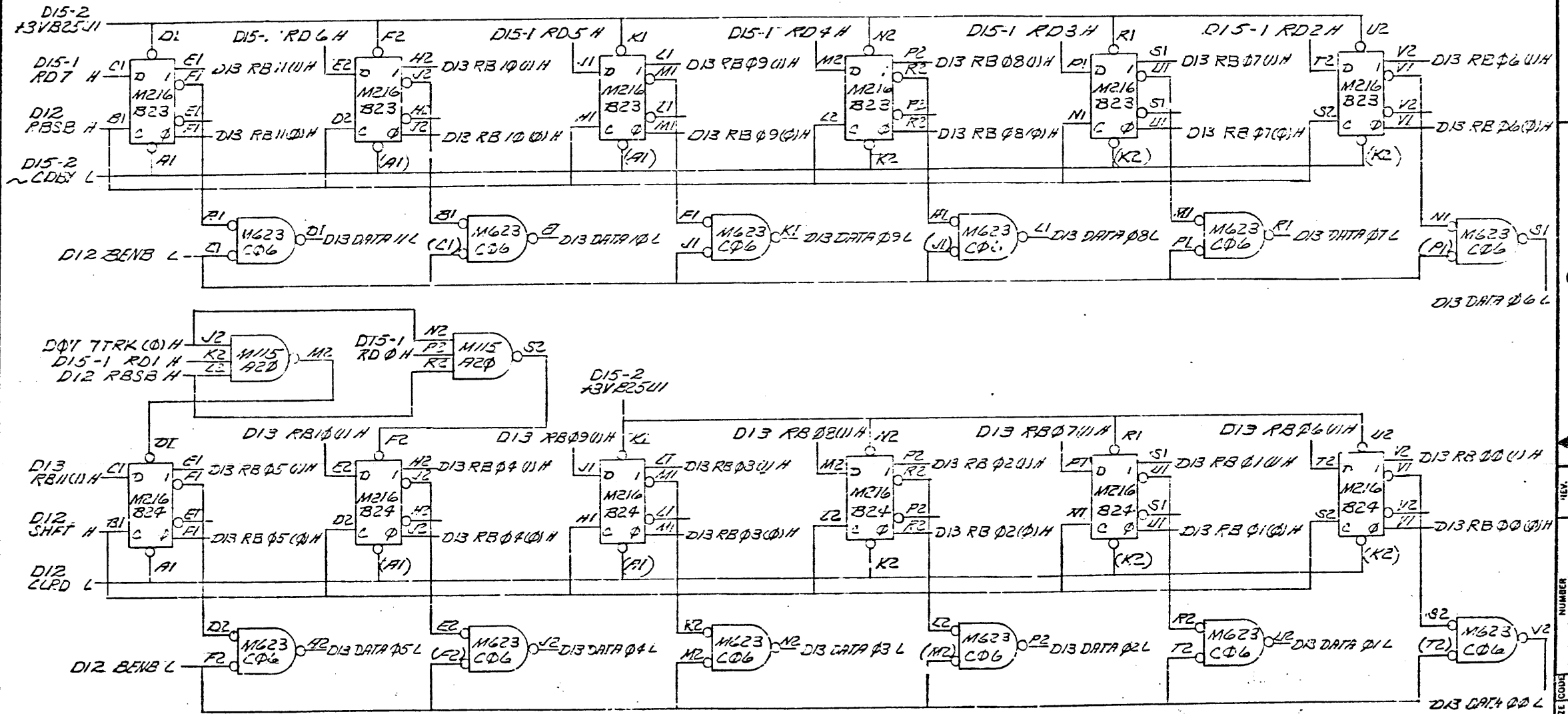


REV.	CHANGE NO.

FIRST USED ON OPTION MODEL		QTY.	DESCRIPTION	PART NO.	ITEM NO.
PDP 8/E			PARTS LIST		
UNLESS OTHERWISE SPECIFIED DIMENSION IN INCHES		ORN. S. Mani...	DATE 3-2-76	<b>digital</b> EQUIPMENT CORPORATION MILFORD MASSACHUSETTS	
TOLERANCES		CHK'D. 1-2-76	DATE 1-1-76		
DECIMALS	ANGLES	ENG. 1-2-76	DATE 12-2-75	TITLE <b>READ CONTROL</b>	
.XXX = .005	:0° 30'	PROJ. ENG. 1-2-76	DATE 12-2-75		
REMOVE BURRS AND BREAK SHARP CORNERS SURFACE QUALITY Y		PPROD.	DATE		
MATERIAL	SS	NEXT HIGHER ASSY.		SIZE CODE	NUMBER
FINISH	SS	B-DD-TR07-A		CBS	TR07-A-12
		SCALE	1 OF 1	DIST.	

REV. NUMBER  
B CBS TR07-A-12

THIS DRAWING AND SPECIFICATIONS, HEREIN, ARE THE PROPERTY OF DIGITAL EQUIPMENT CORPORATION AND SHALL NOT BE REPRODUCED OR COPIED OR USED IN WHOLE OR IN PART AS THE BASIS FOR THE MANUFACTURE OR SALE OF ITEMS WITHOUT WRITTEN PERMISSION.  
 COPYRIGHT © 1976 DIGITAL EQUIPMENT CORPORATION



REV.	
CHANGE NO.	
CHK	

DRW: <i>[Signature]</i>	6-19-76	FIRST USED ON	PDP 8/E	digital
CHK'D: <i>[Signature]</i>		ENG.		TITLE
PROJ. ENG.		PROD.		READ BUFFER
NEXT P. - 1ER ASSY.				
PDD-TR07-A		SIZE	CODE	NUMBER
SCALE		C	ES	TR07-A-13
SHEET	OF 1	DIST.		REV.

SIZE CODE NUMBER  
 C ES TR07-A-13



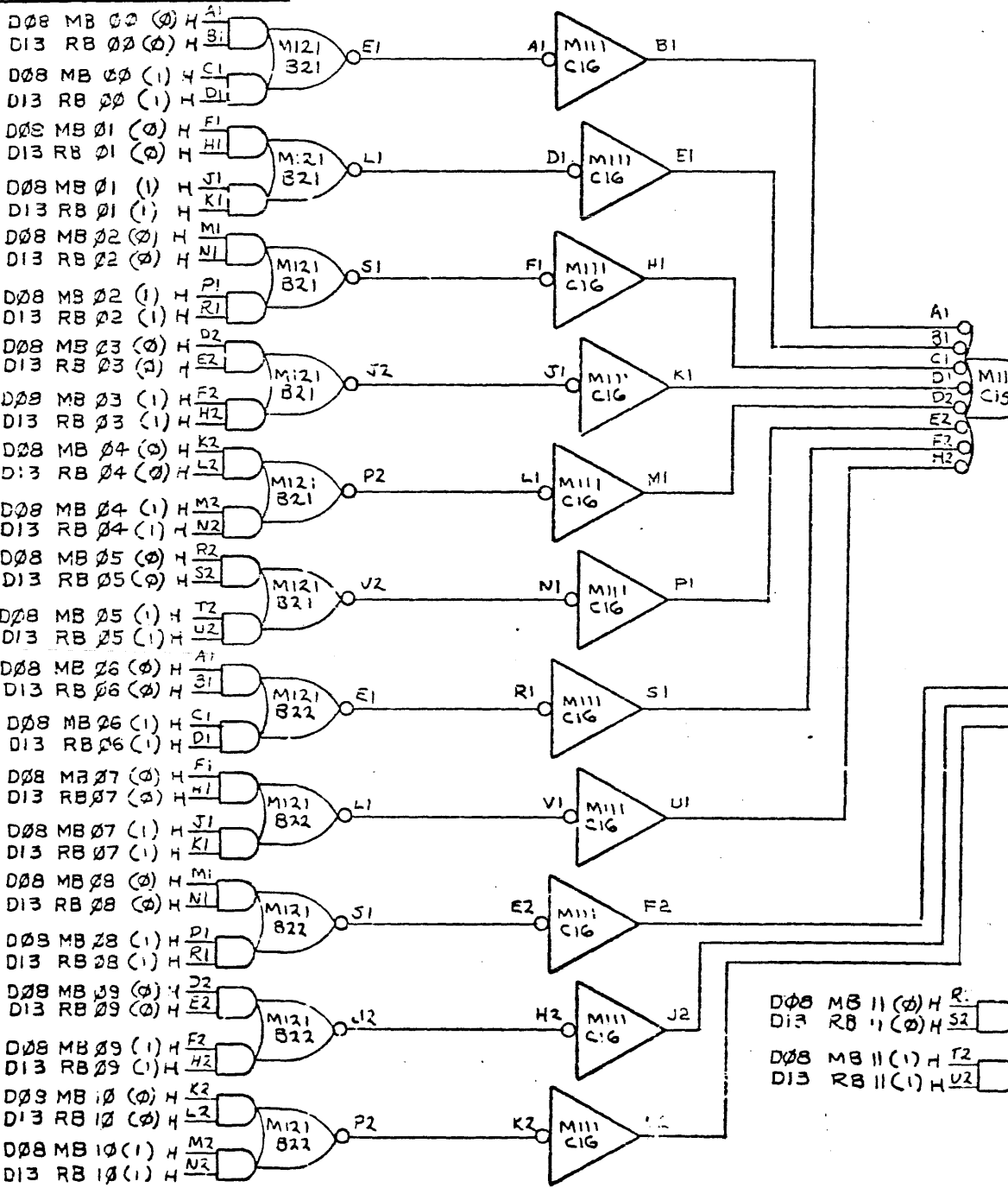
"THIS DRAWING AND SPECIFICATIONS HEREIN ARE THE PROPERTY OF DIGITAL EQUIPMENT CORPORATION AND SHALL NOT BE REPRODUCED OR COPIED OR USED IN WHOLE OR IN PART AS THE BASIS FOR THE MANUFACTURE OR SALE OF ITEMS WITHOUT WRITTEN PERMISSION. COPYRIGHT © 1976, DIGITAL EQUIPMENT CORPORATION"

D

C

B

A



FIRST USED ON OPTION/MODEL	QTY.	DESCRIPTION	PART NO.	ITEM NO.
PDP-8/E				
PARTS LIST				
UNLESS OTHERWISE SPECIFIED DIMENSION IN INCHES		DRN. <i>S. M. Anderson</i>	DATE 6-9-76	 <b>digital</b> EQUIPMENT CORPORATION <small>MAINTON, MASSACHUSETTS</small>
TOLERANCES		CHK'D. <i>S. M. Anderson</i>	DATE 11-17-76	
DECIMALS	ANGLES	ENG. <i>S. M. Anderson</i>	DATE 12-2-76	
.xxx = .005	.0° 30'	PROJ. ENG. <i>S. M. Anderson</i>	DATE 12-2-76	
.xx = .02		PROD. <i>S. M. Anderson</i>	DATE 12-2-76	
REMOVE BURRS AND BREAK SHARP CORNERS SURFACE QUALITY #		TITLE		
MATERIAL		COMPARE		
NEXT HIGHER ASSY.		SIZE CODE NUMBER REV.		
FINISH		B-DD-TR07-A	CBS	TR07-A-14
SCALE		SHEET 1 OF DIST		

REV	CHANGE	BY

REV. TR07-A-14

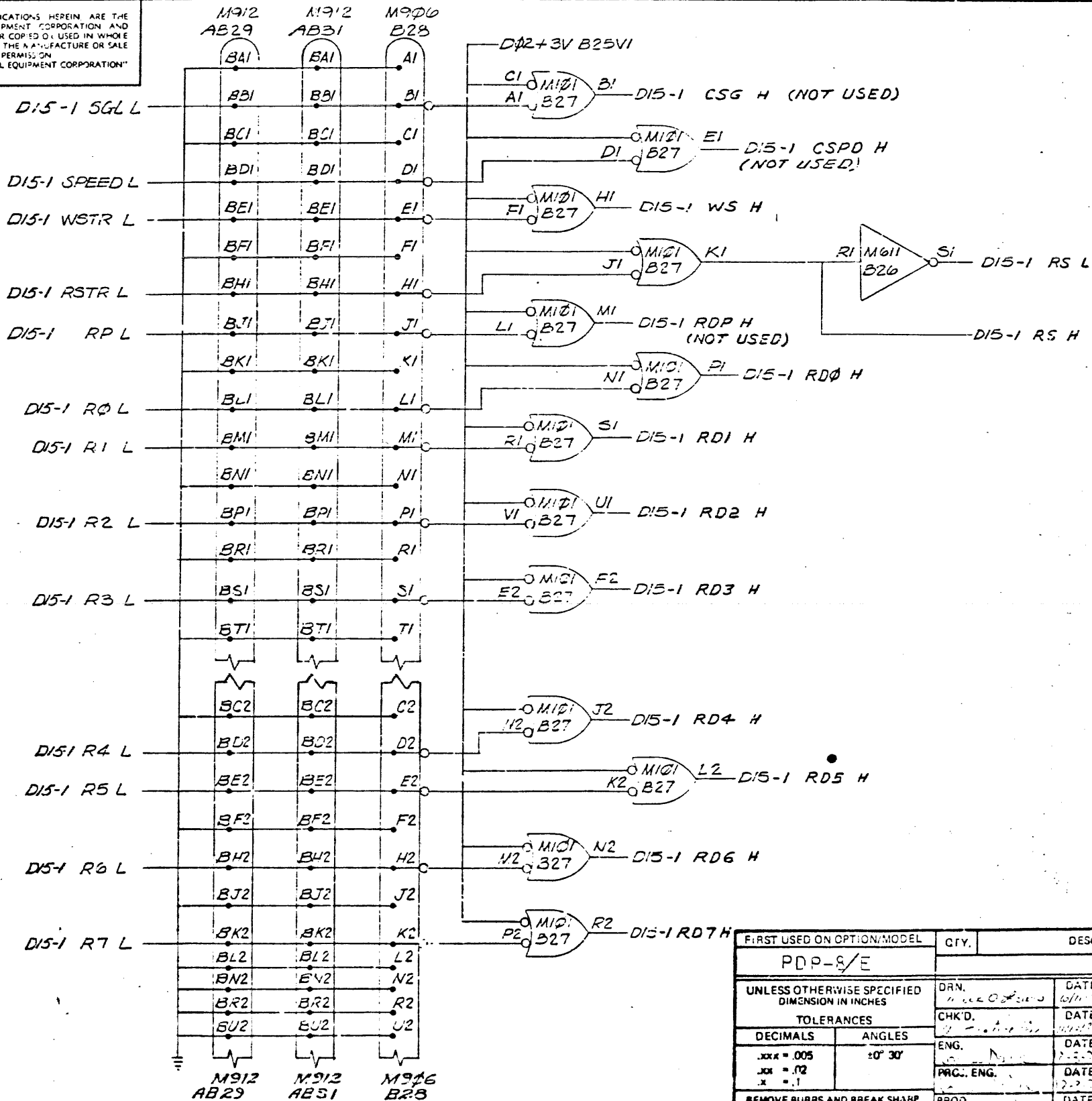
4

3

2

1

"THIS DRAWING AND SPECIFICATIONS HEREIN ARE THE PROPERTY OF DIGITAL EQUIPMENT CORPORATION AND SHALL NOT BE REPRODUCED OR COPIED OR USED IN WHOLE OR IN PART AS THE BASIS FOR THE MANUFACTURE OR SALE OF ITEMS WITHOUT WRITTEN PERMISSION. COPYRIGHT © 1965, DIGITAL EQUIPMENT CORPORATION"



REV.	CHANGE N°	CHK

FIRST USED ON OPTION/MODEL <b>PDP-8/E</b>	QTY.	DESCRIPTION	PART NO.	ITEM NO.
PARTS LIST				
UNLESS OTHERWISE SPECIFIED DIMENSION IN INCHES	DRN. <i>W. C. O. 10/10/70</i>	DATE <i>10/10/70</i>	<b>digital</b> EQUIPMENT CORPORATION WATUARD MASSACHUSETTS	
TOLERANCES	CHK'D. <i>W. C. O. 10/10/70</i>	DATE <i>10/10/70</i>	TITLE	
DECIMALS .005	ENG. <i>W. C. O. 10/10/70</i>	DATE <i>10/10/70</i>	FROM FORM	
ANGLES ±0° 30'	PRG. ENG. <i>W. C. O. 10/10/70</i>	DATE <i>10/10/70</i>		
REMOVE RURRS AND BREAK SHARP CORNERS SURFACE QUALITY 4	PROD. <i>W. C. O. 10/10/70</i>	DATE <i>10/10/70</i>		
MATERIAL	NEXT HIGHER ASSY.	SIZE/CODE	NUMBER	REV.
FINISH	B-DD-TRU-7-A	C	TP/7-A-5	
	SCALE	SHEET	1 OF 2	DIST

REV. NUMBER TP/7-A-15  
SIZE CODE C BC

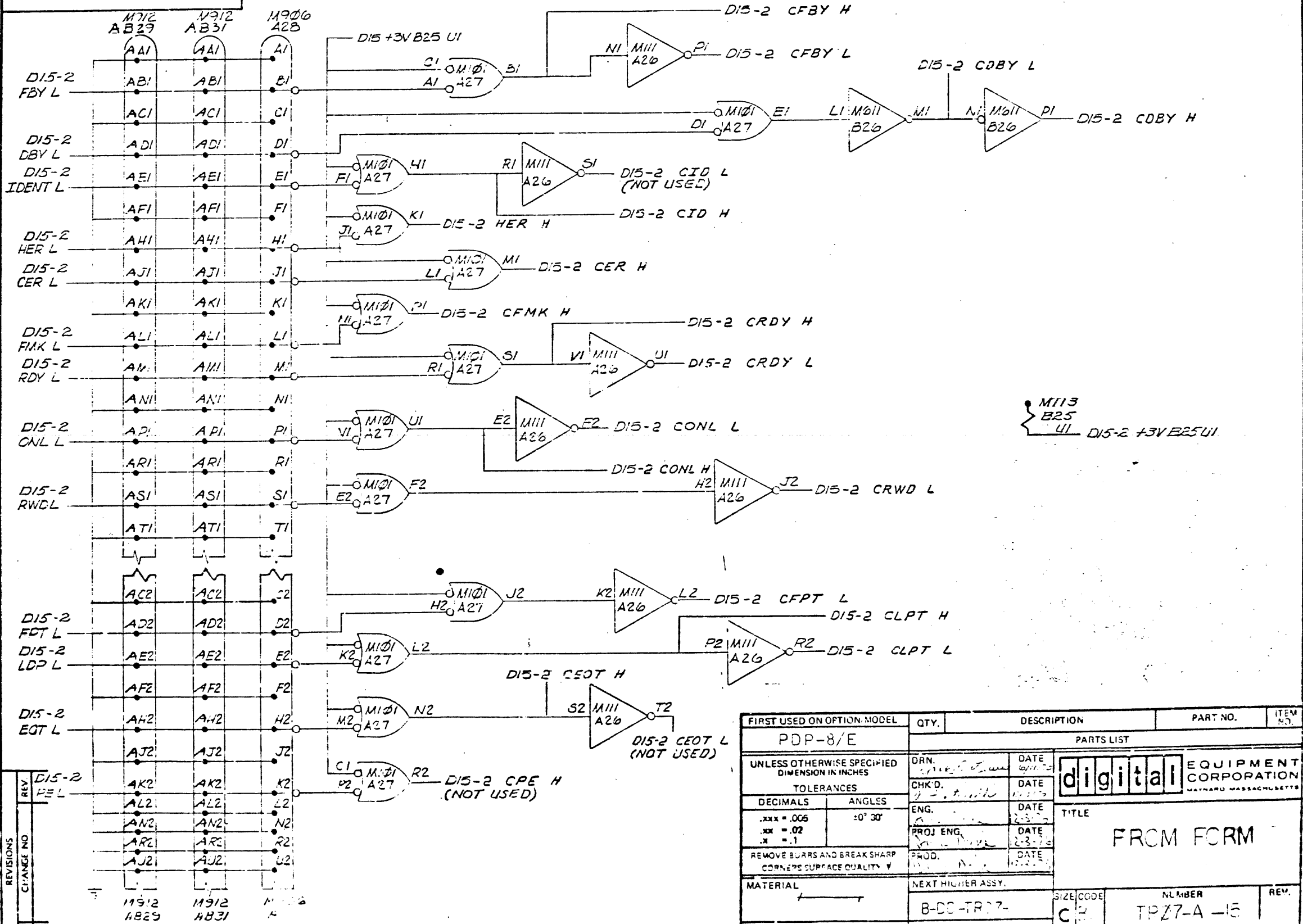
THIS DRAWING AND SPECIFICATIONS HEREIN ARE THE PROPERTY OF DIGITAL EQUIPMENT CORPORATION AND SHALL NOT BE REPRODUCED OR COPIED OR USED IN WHOLE OR IN PART AS THE BASIS FOR THE MANUFACTURE OR SALE OF ITEMS WITHOUT WRITTEN PERMISSION. COPYRIGHT © 1968, DIGITAL EQUIPMENT CORPORATION.

D

C

B

A



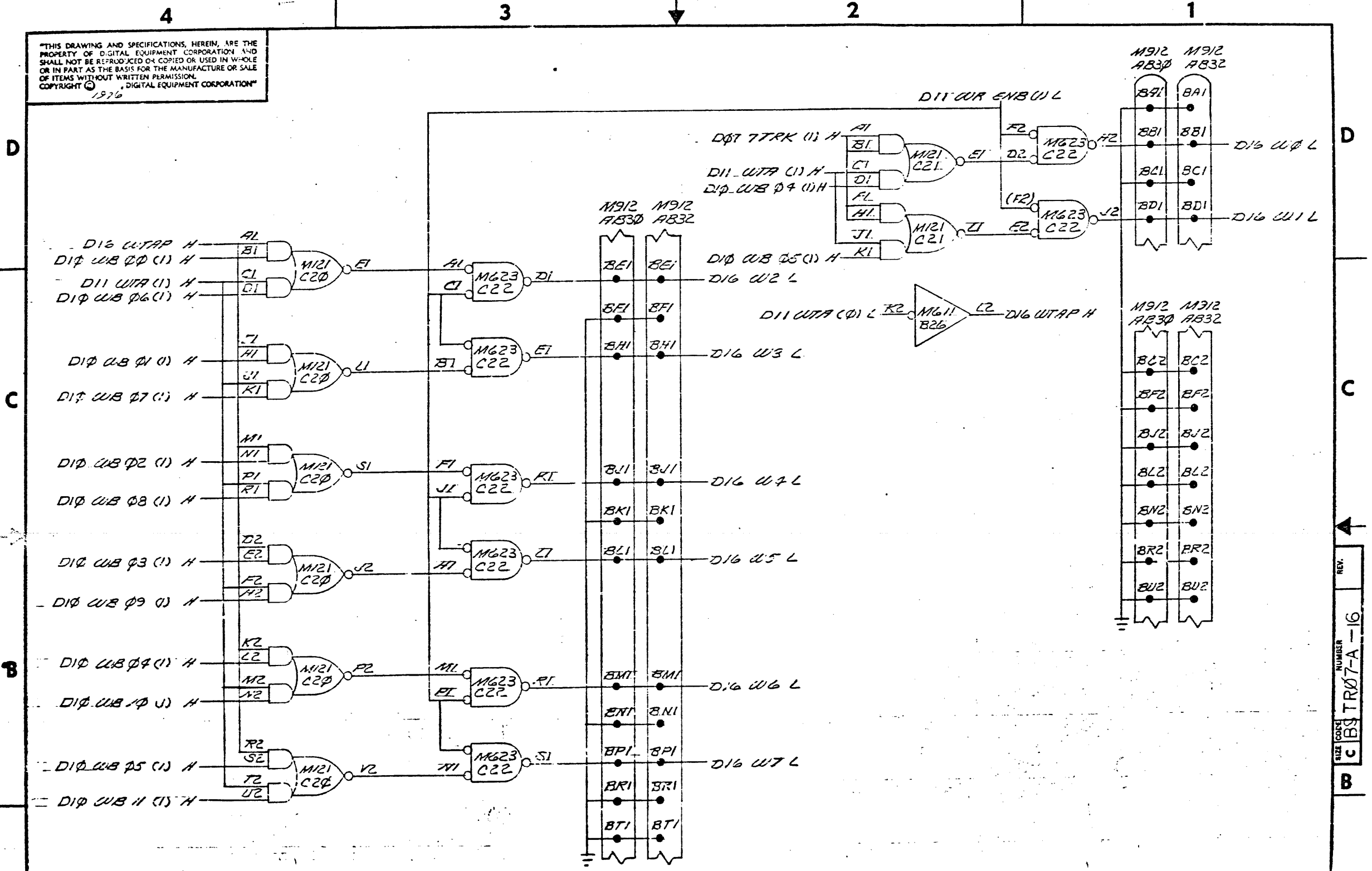
M113 B25 UI DIS-2 +3V B25 UI

REV	CHANGE NO
1	DIS-2 PSL

FIRST USED ON OPTION MODEL PDP-8/E	QTY.	DESCRIPTION	PART NO.	ITEM NO.
UNLESS OTHERWISE SPECIFIED DIMENSION IN INCHES				
TOLERANCES				
DECIMALS	ANGLES	PARTS LIST		
.xxx = .005	±0° 30'	DRN.	DATE	 <b>digital</b> EQUIPMENT CORPORATION MAYNARD MASSACHUSETTS
.xx = .02		CHK'D.	DATE	
.x = .1		ENG.	DATE	
REMOVE BURRS AND BREAK SHARP CORNERS SURFACE QUALITY		PROJ. ENG.	DATE	
		PROD.	DATE	
MATERIAL		NEXT HIGHER ASSY.		TITLE
FINISH		SCALE		FROM FORM
		SHEET 2 OF		SIZE CODE
		DIST		NUMBER
				TPZ7-A-15
				REV.

REV. NUMBER  
CFC TR17-A-15

THIS DRAWING AND SPECIFICATIONS HEREIN ARE THE PROPERTY OF DIGITAL EQUIPMENT CORPORATION AND SHALL NOT BE REPRODUCED OR COPIED OR USED IN WHOLE OR IN PART AS THE BASIS FOR THE MANUFACTURE OR SALE OF ITEMS WITHOUT WRITTEN PERMISSION.  
 COPYRIGHT © 1976 DIGITAL EQUIPMENT CORPORATION



REV.	
CHANGE NO.	
CHK	

DRW	6-756	FIRST USED ON	PDP 3/E	digital
CHK'D	11/2/76	TITLE	WRITE MUX	
ENG.	10/3/76	SCALE		
PROJ. ENG.	10/3/76	SHEET	OF	
PROD.		SIZE	CODE	NUMBER
		B-01-TR07-A	C BS	TR07-A-16
		REV.		
		DIST.		

REV. 1  
 NUMBER TR07-A-16  
 SIZE CODE C BS

"THIS DRAWING AND SPECIFICATIONS, HEREIN, ARE THE PROPERTY OF DIGITAL EQUIPMENT CORPORATION AND SHALL NOT BE REPRODUCED OR COPIED OR USED IN WHOLE OR IN PART AS THE BASIS FOR THE MANUFACTURE OR SALE OF ITEMS WITHOUT WRITTEN PERMISSION. COPYRIGHT © 1975, DIGITAL EQUIPMENT CORPORATION"

4

3

2

1

D

C

B

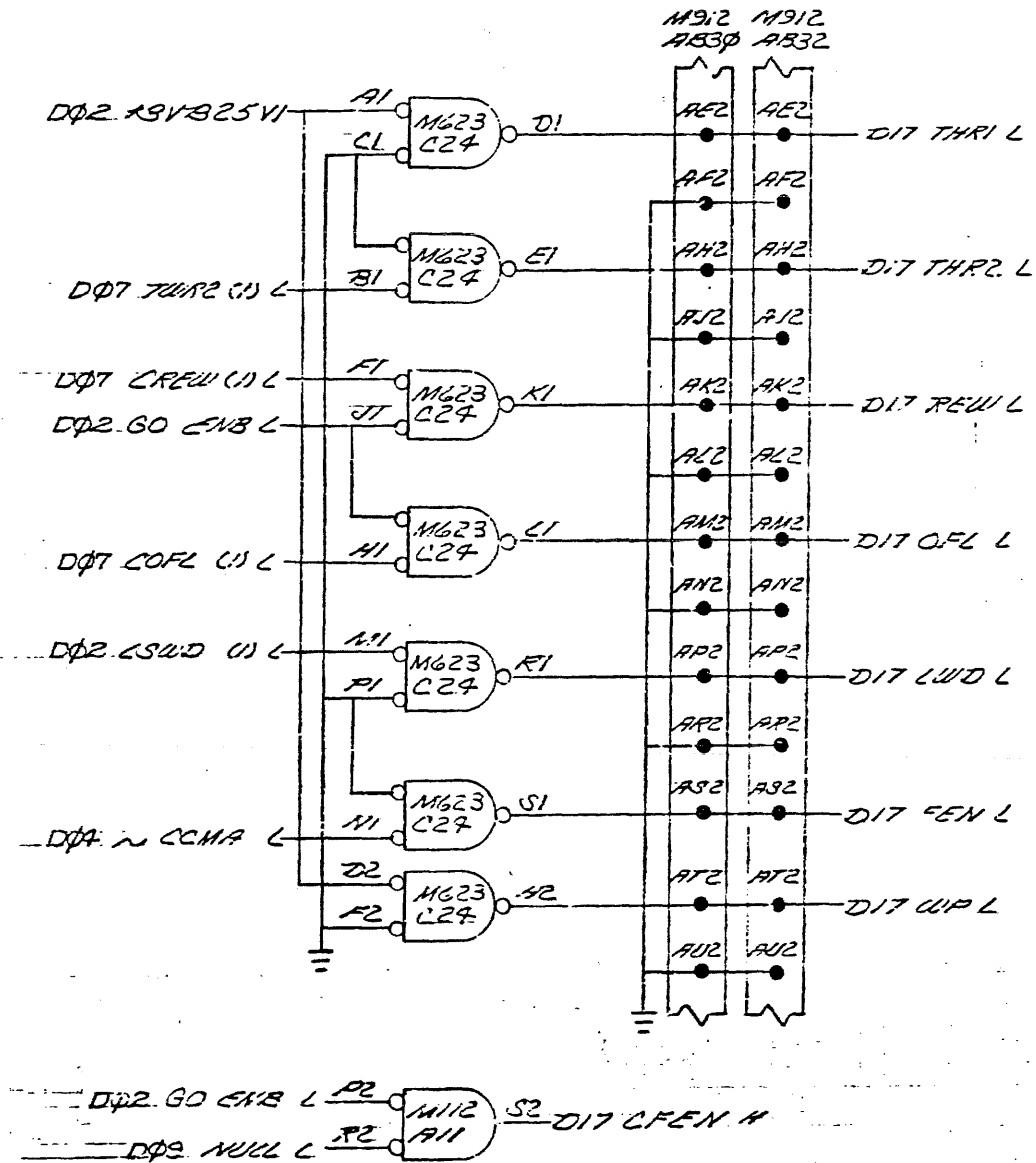
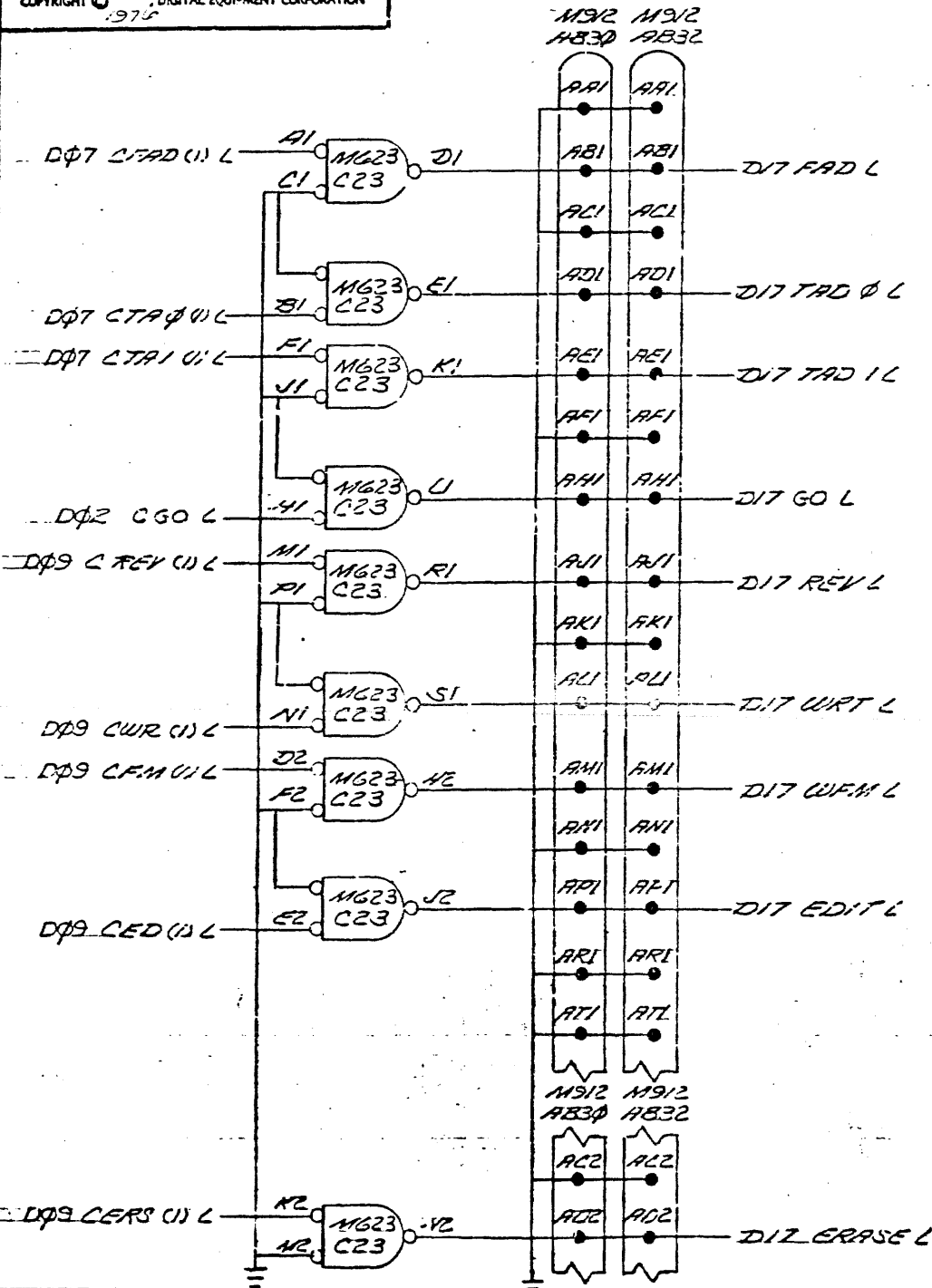
A

D

C

B

A



REV. NO.	REV.
CHANGE NO.	
CHK	

DBN	68-76	FIRST USED ON	PDP 8/E	digital
CHK'D		TITLE	TO FORM	
ENGR				
PRG. ENG.				
PROD.				
NEXT HIGHER ASSY.				
E-DC-T-27-A		SIZE	CODE	NUMBER
SCALE		C	B	TR07-A-17
SHEET	OF	DIST.		REV.

REV. NUMBER TR07-A-17

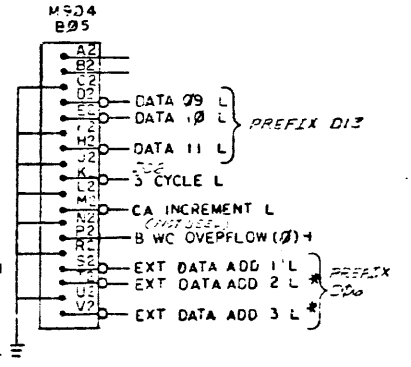
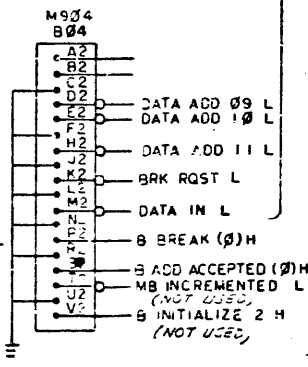
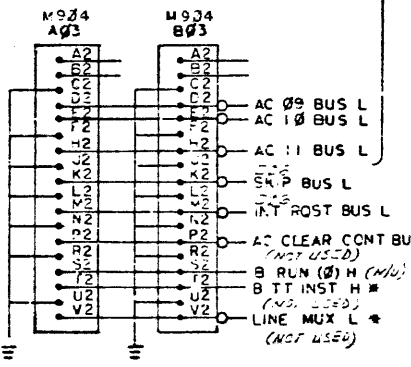
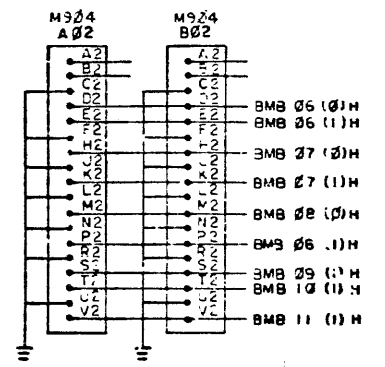
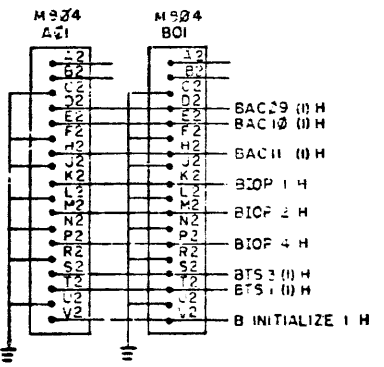
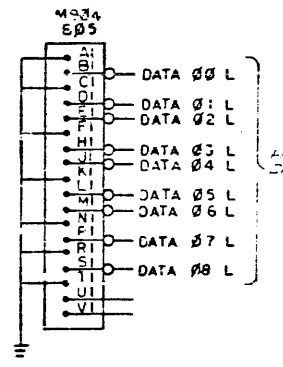
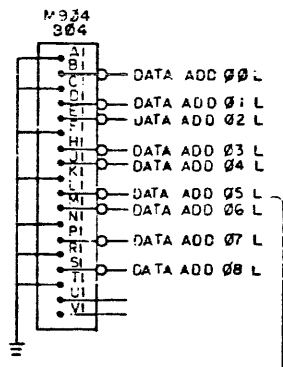
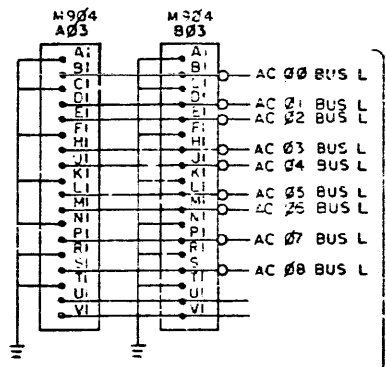
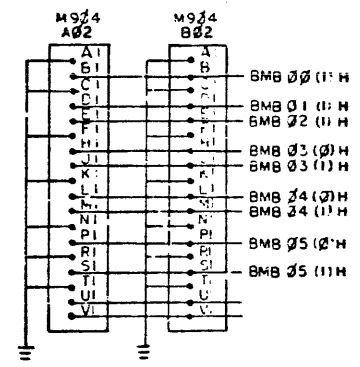
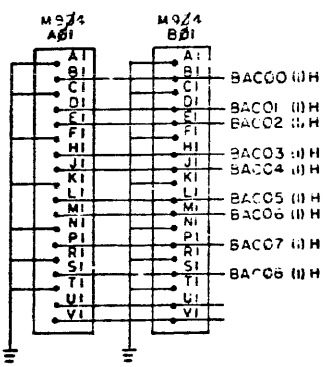
4

3

2

1

This drawing and specifications herein are the property of Digital Equipment Corporation and shall not be reproduced or copied or made in whole or in part as the basis for the manufacture of any item without written permission.



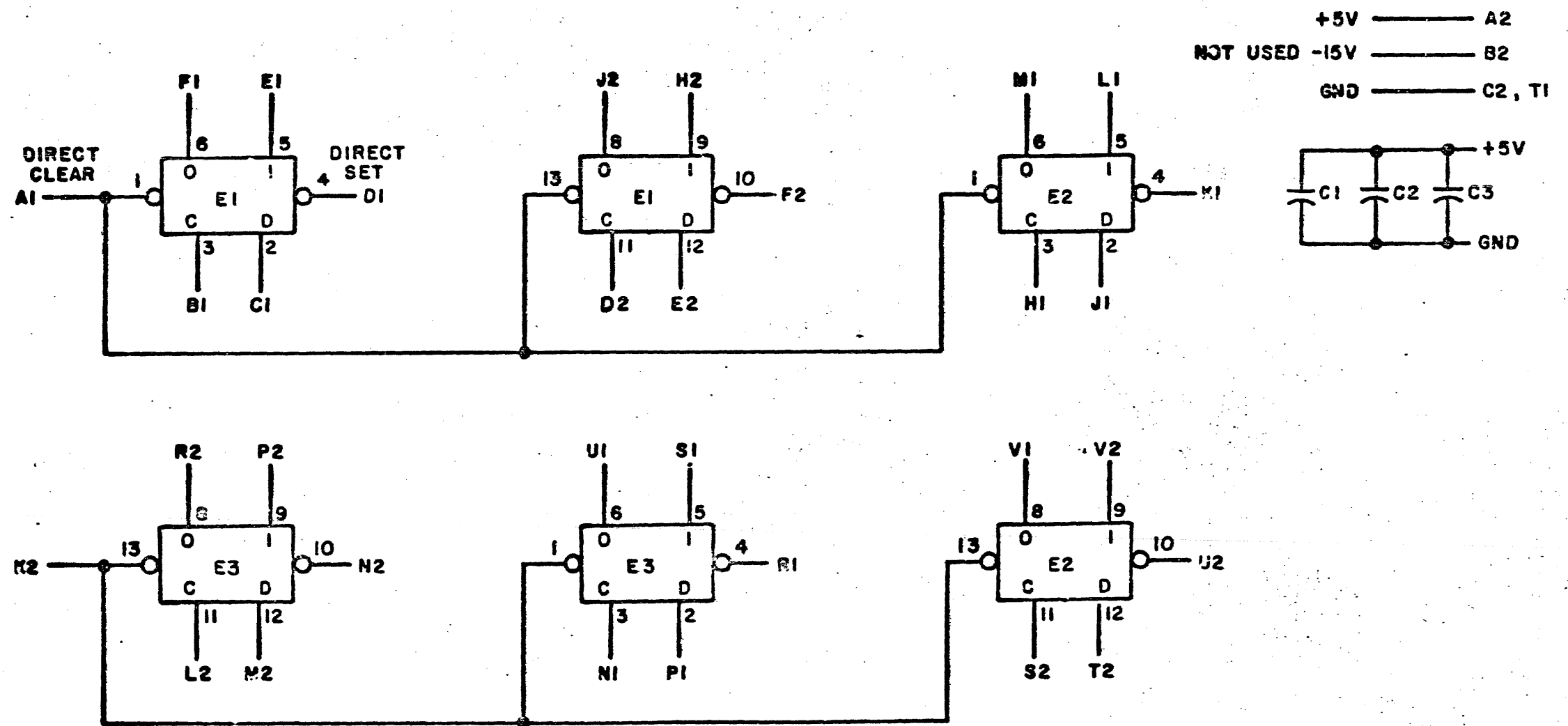
**NOTES:**  
 1. SIGNALS MARKED WITH AN ASTERISK ARE NOT USED IN PDP 8/L BUT RESERVED FOR SPECIFIC USE IN OTHER PDP8 PROCESSORS.  
 3. ALL UNMARKED SIGNAL NAMES PREFIXED WITH D13.

FIRST USED ON OPTION MODEL	QTY	DESCRIPTION	PART NO	ITEM NO
PDP8E				
UNLESS OTHERWISE SPECIFIED DIMENSION IN INCHES TOLERANCES		DATE	PARTS LIST	
DECIMALS	ANGLES	DATE		
XXX - 000	10'	DATE		
REMOVE BURRS AND BREAK SHARP CORNERS SURFACE QUALITY	DATE	DATE	<b>TITLE</b> I/O CONNECTORS POSITIVE BUS	
MATERIAL	DATE	DATE		
FINISH	DATE	DATE	<b>CONTROL NUMBER</b> DICTR07-A-114	

REV  
 CHANGE NO  
 DATE

DICTR07-A-1B

THIS SCHEMATIC IS FURNISHED ONLY FOR TEST AND MAINTENANCE PURPOSES. THE CIRCUITS ARE PROPRIETARY IN NATURE AND SHOULD BE TREATED ACCORDINGLY. COPYRIGHT 1967 BY DIGITAL EQUIPMENT CORPORATION



NOTES:  
 PIN 7 ON EACH IC = GND  
 PIN 14 ON EACH IC = +5V

E1 THRU E3	INTEGRATED CKT. DEC7474N	1905547
C1 THRU C3	CAP. .01MFD 100V 20% DISC	1001610
	PARTS LIST	A-PL-M216-0-0
REFERENCE DESIGNATION	DESCRIPTION	PART NO.
PARTS LIST		

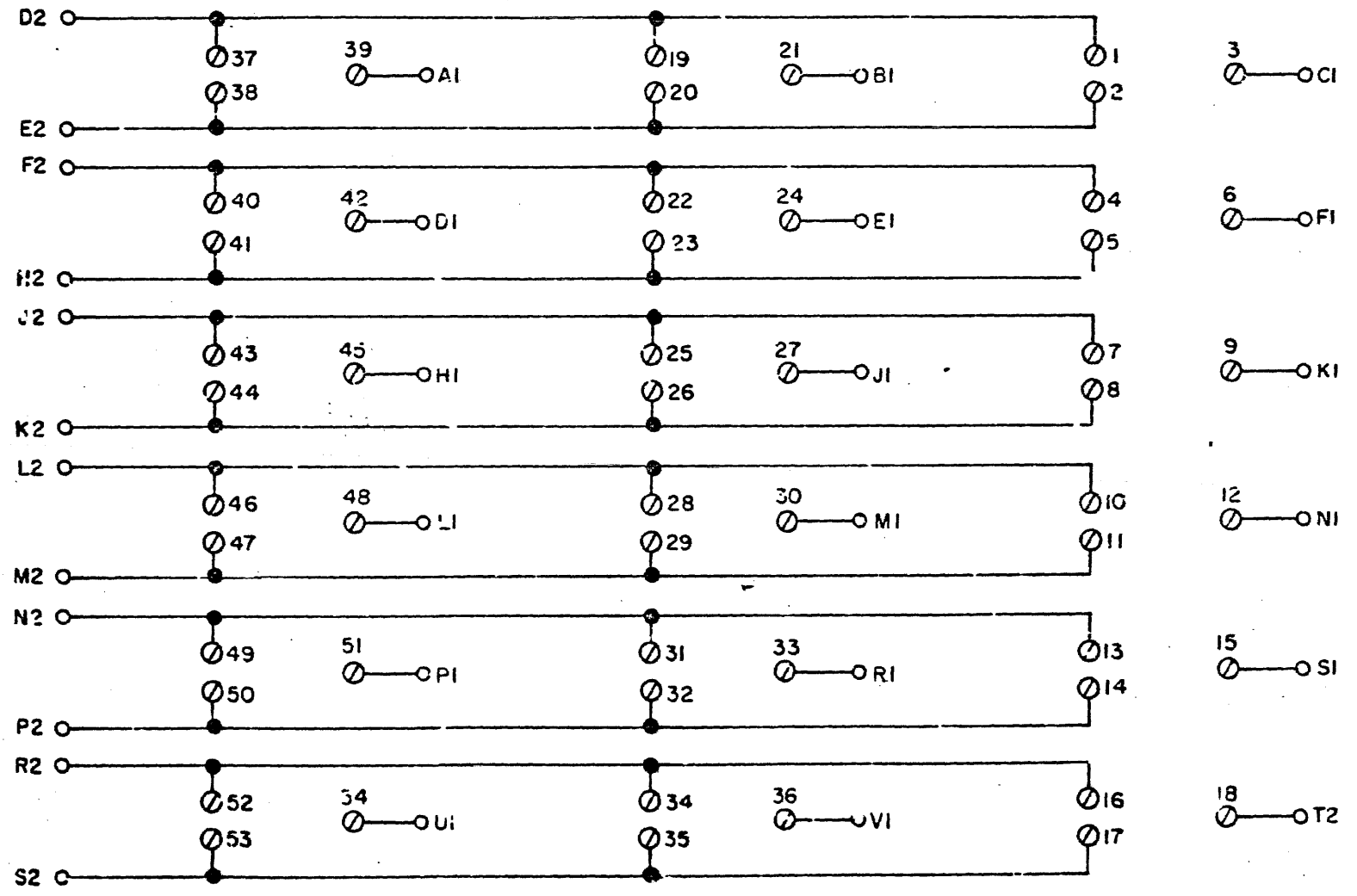
REVISIONS	CHK	CHG NO	REV	DRN.	DATE	TRANSISTOR & DIODE CONVERSION CHART				TITLE					
	MM	00001	B		27. Haller	4-15-67	DEC	EIA	DEC		EIA	SIX FLIP-FLOPS M216			
	MM	00001	B	CHD	DATE					EQUIPMENT CORPORATION	SIZE	CODE	NUMBER	REV.	
				PROD.	DATE					MAYNARD, MASSACHUSETTS	B	CS	M216-0-1	B	
											PRINTED CIRCUIT REV.	C			

THIS SCHEMATIC IS FURNISHED ONLY FOR TEST AND MAINTENANCE PURPOSES. THE CIRCUITS ARE PROPRIETARY IN NATURE AND SHOULD BE TREATED ACCORDINGLY. COPYRIGHT 1969 BY DIGITAL EQUIPMENT CORPORATION

**PIN SIGNAL ASSIGNMENTS**

OUT			
DEVICE A	DEVICE B	DEVICE C	SIGNAL
AI	BI	CI	MB3
DI	EI	FI	MB4
HI	JI	KI	MB5
LI	MI	NI	MB6
PI	RI	SI	MB7
UI	VI	T2	MB8

IN	
D2	MB3(O)
E2	MB3(I)
F2	MB4(O)
H2	MB4(I)
J2	MB5(O)
K2	MB5(I)
L2	MB6(O)
M2	MB6(I)
N2	MB7(O)
P2	MB7(I)
R2	MB8(O)
S2	MB8(I)



UNLESS OTHERWISE INDICATED:  
 ⓪ ARE SPLIT LUGS

REVISIONS CHK CHG NO REV	DRN <i>Butler</i>	DATE <i>11/16/69</i>	TRANSISTOR & DIODE CONVERSION CHART				 EQUIPMENT CORPORATION MAYNARD, MASSACHUSETTS	TITLE DEVICE CODE SELECT JUMPER BOARD			
	CHK'D <i>[Signature]</i>	DATE <i>11/16/69</i>	DEC	EIA	DEC	EIA		SIZE B	CODE CS	NUMBER M921-0-1	REV
	ENG <i>[Signature]</i>	DATE <i>11/16/69</i>									
	PROD.	DATE									
PRINTED CIRCUIT REV							3				



"THE MATERIAL HEREIN IS FOR INFORMATION PURPOSES ONLY AND IS SUBJECT TO CHANGE WITHOUT NOTICE. DIGITAL EQUIPMENT CORPORATION ASSUMES NO RESPONSIBILITY FOR ANY ERRORS WHICH MAY APPEAR HEREIN."

# DRAWING DIRECTORY

"THIS DRAWING AND SPECIFICATIONS, HEREIN, ARE THE PROPERTY OF DIGITAL EQUIPMENT CORPORATION AND SHALL NOT BE REPRODUCED OR COPIED OR USED IN WHOLE OR IN PART AS THE BASIS FOR THE MANUFACTURE OR SALE OF ITEMS WITHOUT WRITTEN PERMISSION. COPYRIGHT © 1976, DIGITAL EQUIPMENT CORPORATION"

UNIT VARIATIONS	
VAR	TITLE
TRØ7-A	PEC FORMATTER INTERFACE

REVISIONS		USED ON OPTION/MODEL		DRN <i>Handwritten</i>	DATE <i>9/15/76</i>	TITLE <i>digital</i> PEC FORMATTER INTERFACE			
DATE	CHG. NO.	PDP-8/E		CHK'D. <i>A. L. ...</i>	DATE <i>9/21/76</i>				
				PROJ ENG.	DATE				
				PROD.	DATE <i>12-3-76</i>				
				FIELD SERV.	DATE	SIZE	CODE	NUMBER	REV
		SHEET 1 OF 2				B	DD	TRØ7-A	
						DIST			

DBP-4208-91-VI-00010-NZ

FIND NO.	DRAWING NO.	DESCRIPTION	TYPE	FIND NO.	DRAWING NO.	DESCRIPTION	TYPE
1	MP00176	FIELD MAINTENANCE PRINT SET (MP)	-				
	B-TC-TR07-A-20	FIELD MAINTENANCE PRINT SET (TC)	-				
2	D-UA-TR07-A-0	PEC FORMATTER INTERFACE	E/M				
	C-IA-5405680-0-0	LEFT END PANEL ASSY	M				
	C-MD-5302536-0-0	RIGHT END PANEL ASSY	M				
	D-UA-BC08J-0-0	ABLE (BC08J)	E/M				
3	D-AD-7013090-0-0	WIRED ASSY	E				
	A-WT-7013090-0	PEC FORMATTER INTERFACE AWT REVISION STATUS	E				
	D-AD-5404491-0-0	H911 MTG PANEL	M				
	A-DC-7406371-0-0	LOGIC FRAME DECALS	E/M				
	A-DC-7411881-3-0	DECAL LOGIC ASSY REV	E/M				
	D-AD-5302483-0-0	1943 CASTING PLUS PINS	M				
	E-SC-1205348-0-0	288 PIN BLOCK TYPE H303	M				
	K-WL-TR07-A-19	WIRE LIST (PEC FORMATTER INTERFACE)	E				
4	B-MU-TR07-A-01	MODULE UTILIZATION	E				
	A-PL-TR07-A-01	MODULE UTILIZATION (PL)	E				
5	C-BS-TR07-A-02	FORMAT CONTROL	E				
	C-BS-TR07-A-03	INDICATOR DRIVERS	E				
	C-BS-TR07-A-04	8 CONTROL	E				
	C-BS-TR07-A-05	FROM 8	E				
	C-BS-TR07-A-06	TO 8	E				
	C-BS-TR07-A-07	COMMAND REG.	E				
	C-BS-TR07-A-08	MEMORY BUFFER	E				
	C-BS-TR07-A-09	FORMAT CONTROL	E				
	C-BS-TR07-A-10	WRITE BUFFER	E				
	C-BS-TR07-A-11	WRITE CONTROL	E				
	C-BS-TR07-A-12	READ CONTROL	E				
	C-BS-TR07-A-13	READ BUFFER	E				
	C-BS-TR07-A-14	COMPARE	E				
	C-BS-TR07-A-15	FROM FORM	E				
	C-BS-TR07-A-16	WRITE MUX	E				
	C-BS-TR07-A-17	TO FORM	E				
	D-IC-TR07-A-18	I/O CONNECTORS POSITIVE BUS	E				
6	B-CS-M216-0-1	SIX FLIP FLOPS	E				
	B-CS-M221-0-1	DEVICE CODE SELECT JUMPER BOARD	E				

TYPE: E ELECTRICAL  
M MECHANICAL  
E/M ELECTRIC/MECHANICAL



TITLE	PEC FORMATTER INTERFACE	SHEET 2 OF 2	SIZE	CODE	NUMBER	REV
			B	DD	TR07-A	