

DRAWING DIRECTORY

"THIS DRAWING AND SPECIFICATIONS, HEREIN, ARE THE PROPERTY OF DIGITAL EQUIPMENT CORPORATION AND SHALL NOT BE REPRODUCED OR COPIED OR USED IN WHOLE OR IN PART AS THE BASIS FOR THE MANUFACTURE OR SALE OF ITEMS WITHOUT WRITTEN PERMISSION. COPYRIGHT © 1974, DIGITAL EQUIPMENT CORPORATION"

CUSTOMER PRINT SET INDEX

THIS IS PRINT SET

SEQUENCE

DRAWING DIRECTORY
 MODULE UTILIZATION
 MODULE UTILIZATION (PL)
 BUS CABLE INTERFACE
 MAG TAPE CABLE PRIOR JMPR MOD
 START TAPE UNIT CONTROL
 CONTROL UNIT READY
 FUNCT DECODE & TAPE UNIT INTER
 TAPE UNIT INTERFACE
 MAG TAPE READ/WRITE LINES
 UNIT SELECT & ADDRESS SELECT
 NPR AND BR INPUTS
 LOW BYTE COMMAND & STATUS REQ
 HIGH BYTE
 DATA BUFFER & READ LINES TO BUS
 CURRENT MEMORY ADDRESS LINES
 DATA BUFFER INPUTS
 MAGNETIC TAPE ERR 1 AND INIT
 MAGNETIC TAPE ERRORS 2
 TMA11 COMBINED PACKAGES
 REGISTER SELCT & DATA BUFFERS
 MAX CONFIGURATION

ACCESSORY LIST

SOFTWARE LIST

WIRED ASSY
 WIRED ASSY (PL)
 WIRE LIST
 ETCH BOARD REGULATOR
 MAG TAPE CONTROL (TMA11)
 MAG TAPE CONTROL (PL)
 CABLE ASSY (BC11A)
 CABLE ASSY (BC11A)
 POWER HARNESS
 PRIORITY JUMPER LEVEL #5

SEQUENCE

B-DD-TMA11-0 (SHEET #1 ONLY)
 D-MU-TMA11-0-2
 A-PL-TMA11-0-2
 D-BB-TMA11-0-3
 D-BB-TMA11-0-4
 D-BB-TMA11-0-5
 D-BB-TMA11-0-6
 D-BB-TMA11-0-7
 D-BB-TMA11-0-8
 D-BB-TMA11-0-9
 D-BB-TMA11-0-10
 D-BB-TMA11-0-11
 D-BB-TMA11-0-12
 D-BB-TMA11-0-13
 D-BB-TMA11-0-14
 D-BB-TMA11-0-15
 D-BB-TMA11-0-16
 D-BB-TMA11-0-17
 D-BB-TMA11-0-18
 D-BB-TMA11-0-19
 D-BB-TMA11-0-20
 D-AR-TMA11-0-22

 A-AL-TMA11-0-24

 A-SL-TMA11-0-26
 C-AD-7010565-0-0
 A-PL-7010565-0-0
 K-WL-TMA11-0-21
 E-IA-5008474-0-0
 D-UA-TMA11-0-0
 A-PL-TMA11-0-0
 D-UA-BC11A-5-0
 D-UA-BC11A-8-0
 D-AD-7009742-0-0
 C-IA-5408778-0-0

LOGIC ASSY(TMA11)

AWT REVISION STATUS

POWER SUPPLY (H720C&D)
 POWER SUPPLY (PL)

POWER REGULATOR BD ASSY
 POWER REGULATOR BD ASSY (PL)

C-IA-7010564-0-0

A-WT-7010565-0-0

E-UA-H720-0-0
 A-PL-H720-0-0

E-AD-5408475-0-0
 A-PL-5408475-0-0

UNIT VARIATIONS		PRINT SET			
VAR	TITLE				
TMA11-A	MAG TAPE CONT (115V)	X			
TMA11-B	MAG TAPE CONT (230V)	X			

2348-01-0001-0001-01 3-08

REV		CHG. NO.		USED ON OPTION/MODEL	DRK.	DATE	TITLE				
A	B	TMA11-1	TMA11-2	PDP11	CHK'D.	1-12-74	MAG TAPE CONT (TMA11)				
12-75	2-76				PROJ ENG.	12-6-74					
					PROC.		SIZE	CODE	NUMBER		REV
					FIELD SERV.		B	DD	TMA11-0		B
				SHEET	1 OF	12-9-74	DIST				

DRB 106

MP-TMA11-00

20-0-TM11-0-02

THIS DRAWING AND SPECIFICATION, HEREIN, ARE THE PROPERTY OF DIGITAL EQUIPMENT CORPORATION AND SHOULD NOT BE REPRODUCED OR COPIED IN WHOLE OR IN PART FOR THE PROMOTION OF ANY OF THEIR PRODUCTS WITHOUT PERMISSION.

COPYRIGHT © 1974
DIGITAL EQUIPMENT CORPORATION

SECTION	8		7		6		5		4		3		2		1								
	M327	M422/M439	M428	M433	M111	M111	M798	M149	M195	M782	M796	M795	M149	M216	M153	M113	M115	M216	M121	M117	M239	M115	
D A	UNIBUS CONNECTOR IN	UNIBUS CONNECTOR OUT	MAG TAPE CABLE CONNECTOR	MAG TAPE CABLE TERMINATOR	CRCS	EOT	WD7	WD6															
B C																							
A B																							
B																							

REV. REVISIONS CHANGE NO.	FIRST USED ON OPTION/MODEL PDP-11		DO NOT SCALE DRAWING UNLESS OTHERWISE SPECIFIED DIMENSIONS IN INCHES		DRN: <i>MM</i>	DATE: 10-2-74	digital EQUIPMENT CORPORATION MAYNARD MASSACHUSETTS
	TOLERANCES: DECIMALS FRACTIONS ANGLES ±.008 ±.004 ±.020		REMOVE BURRS AND BREAK SHARP CORNERS		CHK'D: <i>MM</i>	DATE: 10-31-74	
	FINISH: <i>/ /</i>		MATERIAL: <i>/ /</i>		ENG: <i>MM</i>	DATE: 10-2-74	
					PROJ. ENG: <i>MM</i>	DATE: 10-6-74	
				NEXT HIGHER ASSY: B-DD-TM11-0		TITLE: MODULE UTILIZATION	
				SCALE: NONE		NUMBER: DIMU TM11-0-02	
				SHEET: 1 OF 1		REV.	

20-0-TM11-0-02

A

DIGITAL EQUIPMENT CORPORATION MAYNARD, MASSACHUSETTS					QUANTITY/VARIATION															
PARTS LIST																				
MADE BY J. NESTOR		CHECKED <i>F. Carberry</i>		SECTION 1																
DATE 12-6-74 <i>J.N.</i>		DATE 12-9-74		ISSUED SECT. 1																
ENG H. FINDEISEN		PROD <i>H. Findeisen</i>																		
DATE 12.6.74 <i>H.F.</i>		DATE 12-6-74																		
ITEM NO.	DWG NO./PART NO.	DESCRIPTION																		
	G736	JUMPER MODULE			1															
	M105	ADDRESS SELECTOR MODULE			1															
	M111	INVERTER			5															
	M112	NOR GATE			3															
	M113	TEN 2-INPUT NAND GATES			7															
	M115	EIGHT 3-INPUT NAND GATES			2															
	M117	SIX 4-INPUT NAND GATES			1															
	M121	AND/NOR GATES			2															
	M127	2-2-2-3 NAD/NOR GATE			3															
	M149	9X2 NAND WIRED OR MATRIX			4															
	M163	DUAL BINARY TO DECIMAL DECODER M163			1															
	M203	8 R/S FLIP FLOP			1															
	M205	SET RESET FLIP FLOP			2															
	M216	SIX FLIP FLOPS			5															
	M239	THREE 4-BIT COUNTER REGISTER			1															
	M304	ONE SHOT DELAY			2															
	M307	INTEGRATING ONE SHOT			1															
	M627	NAND POWER AMPLIFIER			3															
	M7821	INTERRUPT CONTROL MODULE			1															
	M784	UNIBUS RECEIVER MODULE			1															
	M785	UNIBUS TRANSCIEVER MODULE			1															
	M795	WORD COUNT & CURRENT MEM ADDR			1															
TITLE MODULE UTILIZATION				ASSY NO. D-MU-TM11-0-02		SIZE CODE A PL		NUMBER TM11-0-2				REV.		ECO NO.						
				SHEET 1 OF 2		DIST.														

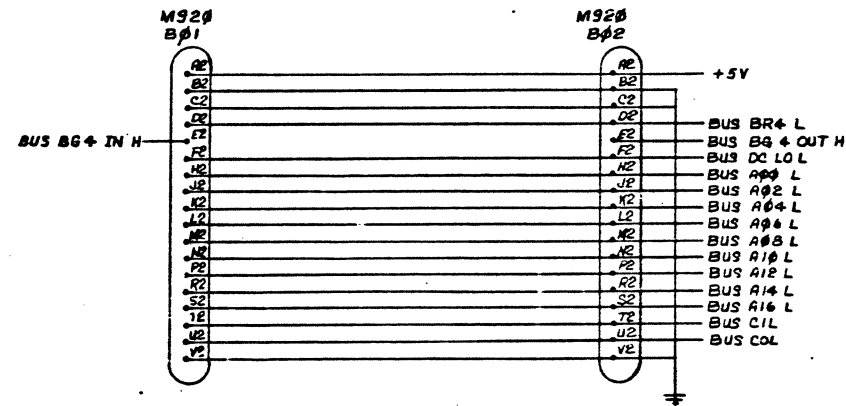
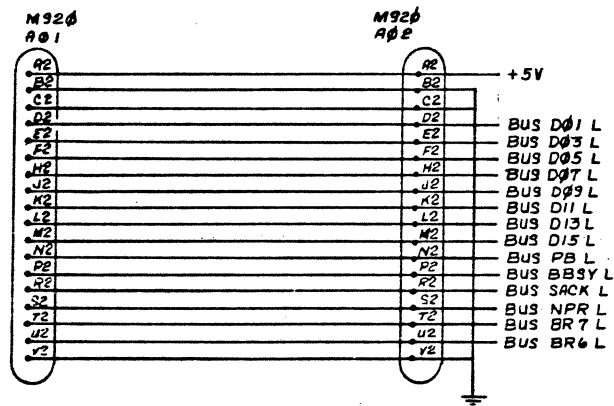
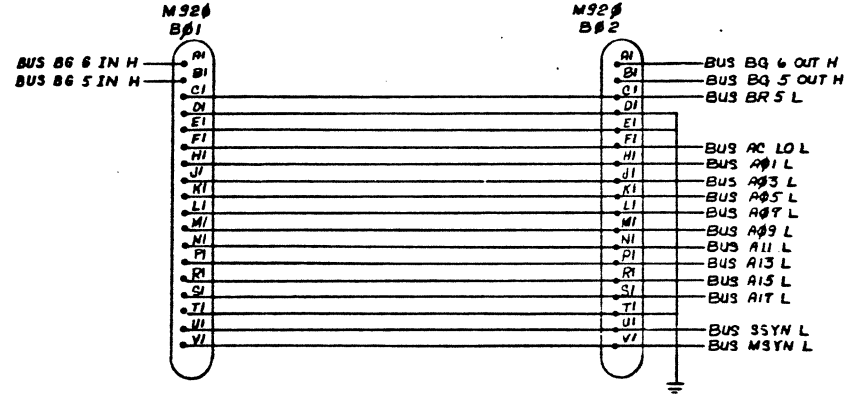
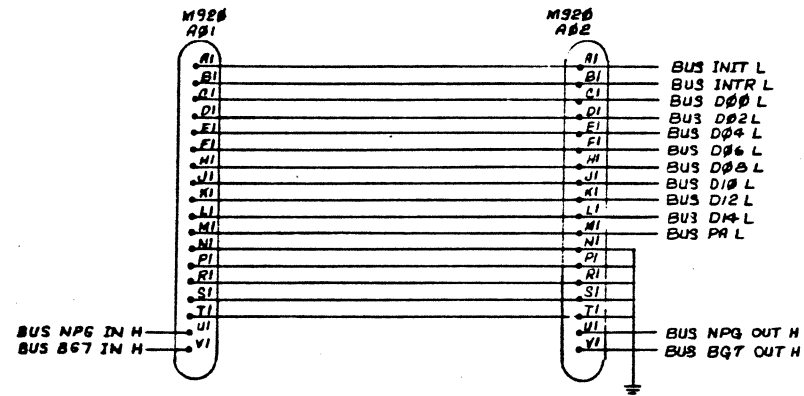
DEC FORM DEC 16-(325)-1031-N870
DRA 110

DIGITAL EQUIPMENT CORPORATION MAYNARD, MASSACHUSETTS					QUANTITY/VARIATION															
PARTS LIST																				
MADE BY J. NESTOR		CHECKED <i>F. Carberry</i>		SECTION 1																
DATE 12-6-74 <i>J.N.</i>		DATE 12-9-74		ISSUED SECT. 1																
ENG H. FINDEISEN		PROD <i>H. Findeisen</i>																		
DATE 12.6.74 <i>H.F.</i>		DATE 12-6-74																		
ITEM NO.	DWG NO./PART NO.	DESCRIPTION																		
	M797	REGISTER SELECT MODULE			1															
	M798	UNIBUS DRIVER			1															
	M796	UNIBUS MASTER CONTROL			1															
	M930	MAG TAPE CABLE TERMINATOR			1															
	M688	UNIBUS POWER FAIL DRIVERS			1															
	M7854	OPT/BTE DETECTOR			1															
TITLE MODULE UTILIZATION				ASSY NO. D-MU-TM11-0-02		SIZE CODE A PL		NUMBER TM11-0-2				REV.		ECO NO.						
				SHEET 2 OF 2		DIST.														

DEC FORM DEC 16-(325)-1031-N870
DRA 110

This drawing and specifications, herein, are the property of Digital Equipment Corporation and shall not be reproduced or copied in whole or in part in any form or by any means without written permission.
 COPYRIGHT © 1974
 DIGITAL EQUIPMENT CORPORATION

20-0-TMA11-03 2

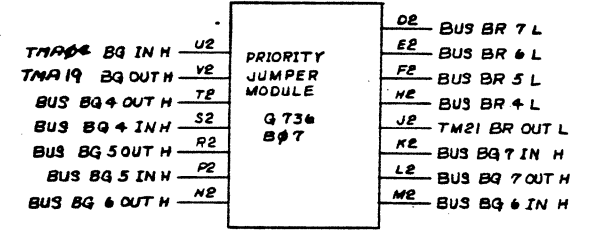
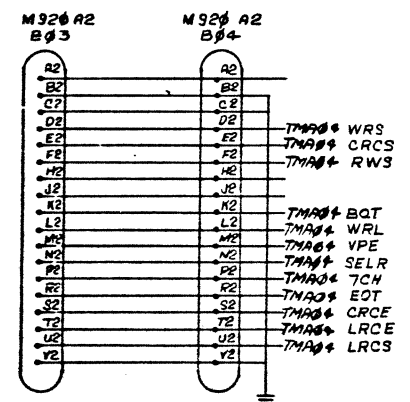
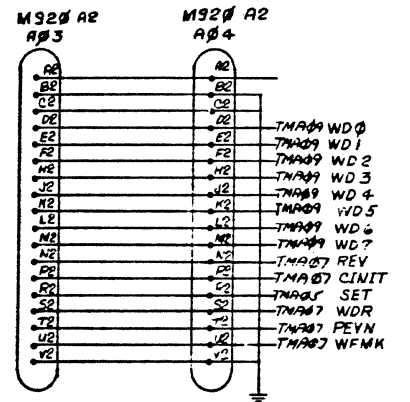
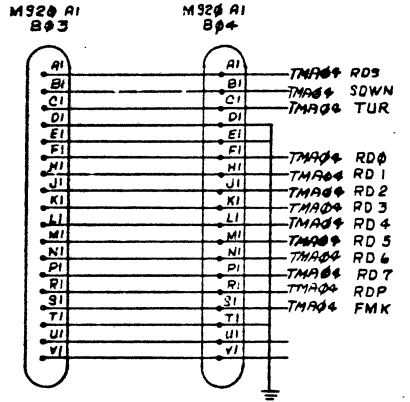
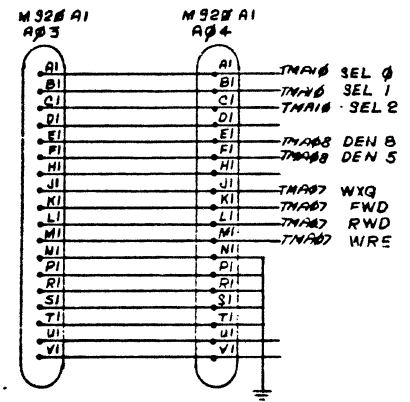


REV.	CHANGE NO.

QTY.	DESCRIPTION	PART NO.	ITEM NO.
PARTS LIST			
FIRST USED ON OPTION/MODEL PDP-11		DO NOT SCALE DRAWING UNLESS OTHERWISE SPECIFIED DIMENSION IN INCHES TOLERANCES DECIMALS FRACTIONS ANGLES ±.005 ±.004 ±.003 FINAL SURFACE QUALITY REMOVE BURRS AND BREAK SHARP CORNERS	
MATERIAL //		FINISH //	
DATE: 10-27-74 CHK'D: [Signature] ENG: [Signature] PROJ. ENG: [Signature] PROB: [Signature]		DATE: 10-31-74 DATE: 12-6-74 DATE: 1-6-75 DATE: 2-6-74	
NEXT HIGHER ASSY B-DD-TMA11-0		TITLE BUS CARLE INTERFACE	
SCALE: 1:1		SIZE CODE: D	
SHEET 1 OF 1		NUMBER: DBS TMA11-0-03	

REV. 1
ITEM NO. DBS TMA11-0-03

This drawing and specifications, herein, are the property of Digital Equipment Corporation and shall not be reproduced or copied or used in whole or in part as the basis for the manufacture or sale of items without written permission.
 COPYRIGHT © 1974
 DIGITAL EQUIPMENT CORPORATION



REV	
CHG	
CHG	
CHG	

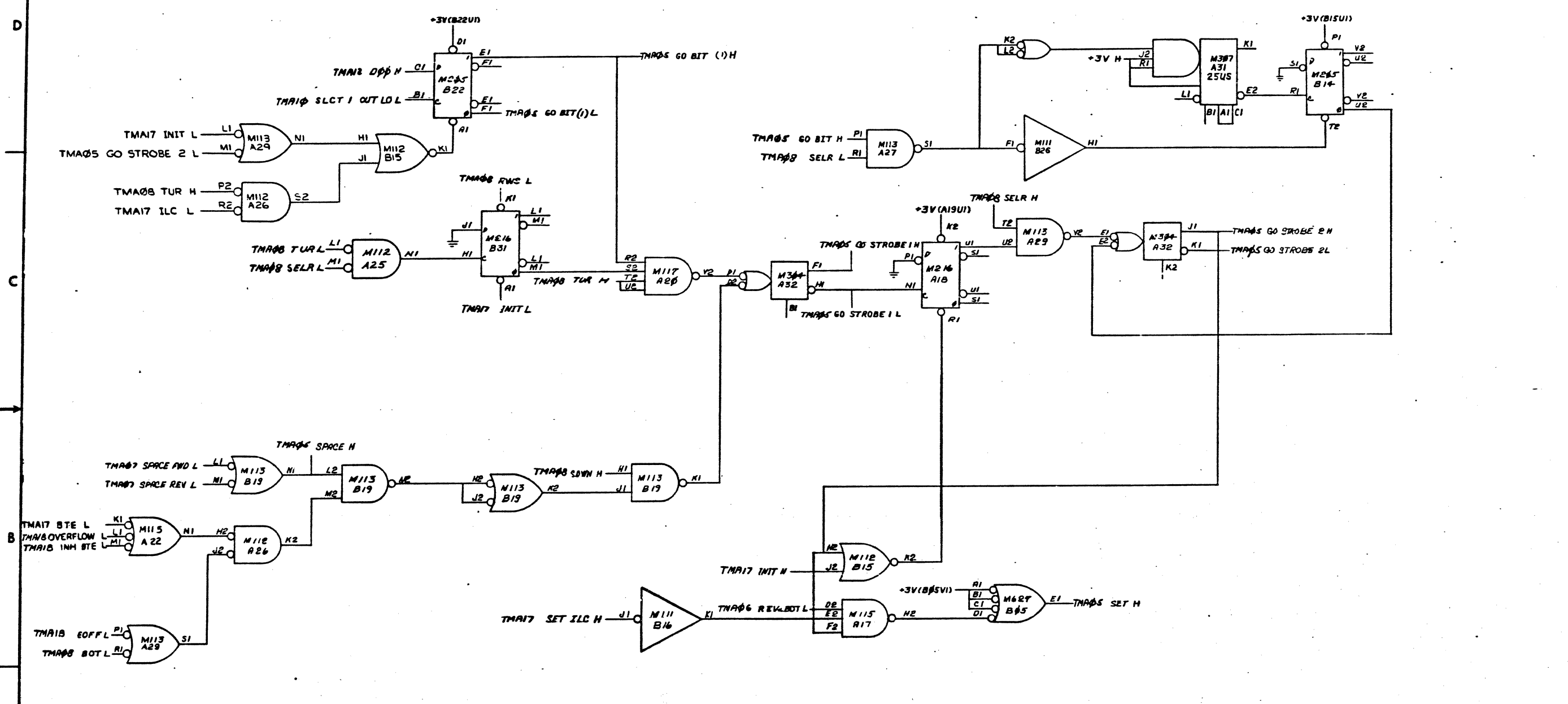
DEC FORM NO. DDD 102-B

FIRST USED ON OPTION/MODEL PDF-11	QTY.	DESCRIPTION	PART NO.	ITEM NO.
PARTS LIST				
UNLESS OTHERWISE SPECIFIED DIMENSION IN INCHES.	DRN. <i>Brown</i>	DATE 10-30-74	digital EQUIPMENT CORPORATION MAYFIELD MASSACHUSETTS	
TOLERANCES	CHK'D. <i>F. Carney</i>	DATE 10-31-74	TITLE	
DECIMALS .XXX = .006 .XX = .02 .X = .1	ENG. <i>F. Carney</i>	DATE 2-6-74	MAG TAPE CABLE PRIOR JMPR MOD	
REMOVE BURRS AND BREAK SHARP CORNERS SURFACE QUALITY	PROJ. ENG. <i>H. Funder</i>	DATE 12-2-74	SIZE CODE NUMBER	
MATERIAL	PRG'D. <i>Chouinard</i>	DATE 2-6-74	REV.	
	NEXT HIGHER ASSY.		B-DD-TMA11-0	
FINISH	SCALE	SHEET 1 OF 1	D B S T M A 1 1 - 0 - 0 4	

REV. DBS TMA11-0-04

This drawing and specifications, herein, are the property of Digital Equipment Corporation and shall not be reproduced or used in whole or in part as the basis for the manufacture of any of these without written permission.
 COPYRIGHT © 1974
 DIGITAL EQUIPMENT CORPORATION.

8 7 6 5 4 3 2 1
 DBS TMA11-0-05

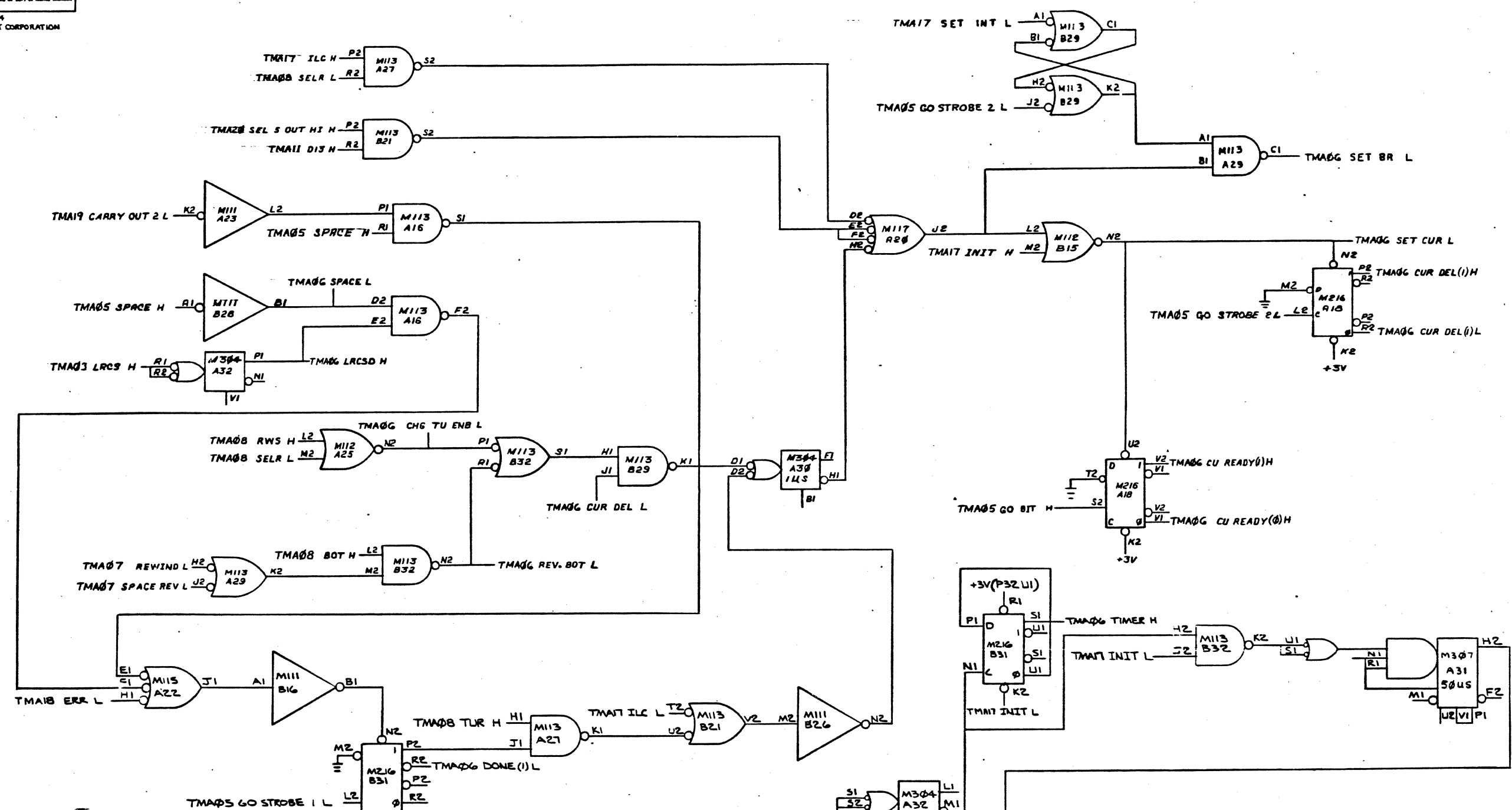


REV	
CHANGE NO	
NO	

REV	
NUMBER	
DBS TMA11-0-05	

FIRST USED ON OPTION/MODEL PDP 11	QTY.	DESCRIPTION	PART NO.	ITEM NO.
UNLESS OTHERWISE SPECIFIED DIMENSION IN INCHES TOLERANCES	DRN <i>J. Reilly</i>	DATE 11-1-74	PARTS LIST	
DECIMALS	CHKD <i>Carberry</i>	DATE 11-1-74	TITLE START TAPE UNIT CONTROL	
ANGLES XXX - .005 XX - .02 X - .1	ENG <i>M. J. ...</i>	DATE 12-7-74	SIZE CODE D	
REMOVE BURRS AND BREAK SHARP CORNERS SURFACE QUALITY	PROG <i>M. J. ...</i>	DATE 12-6-74	NUMBER TMA11-0-05	
MATERIAL	NEXT HIGHER ASSY.	SCALE NONE	REV.	
FINISH		SHEET 1 OF 1	DIST.	

This drawing and specifications, herein, are the property of Digital Equipment Corporation and shall not be reproduced or copied in whole or in part without the express written permission of Digital Equipment Corporation.
 COPYRIGHT © 1974
 DIGITAL EQUIPMENT CORPORATION

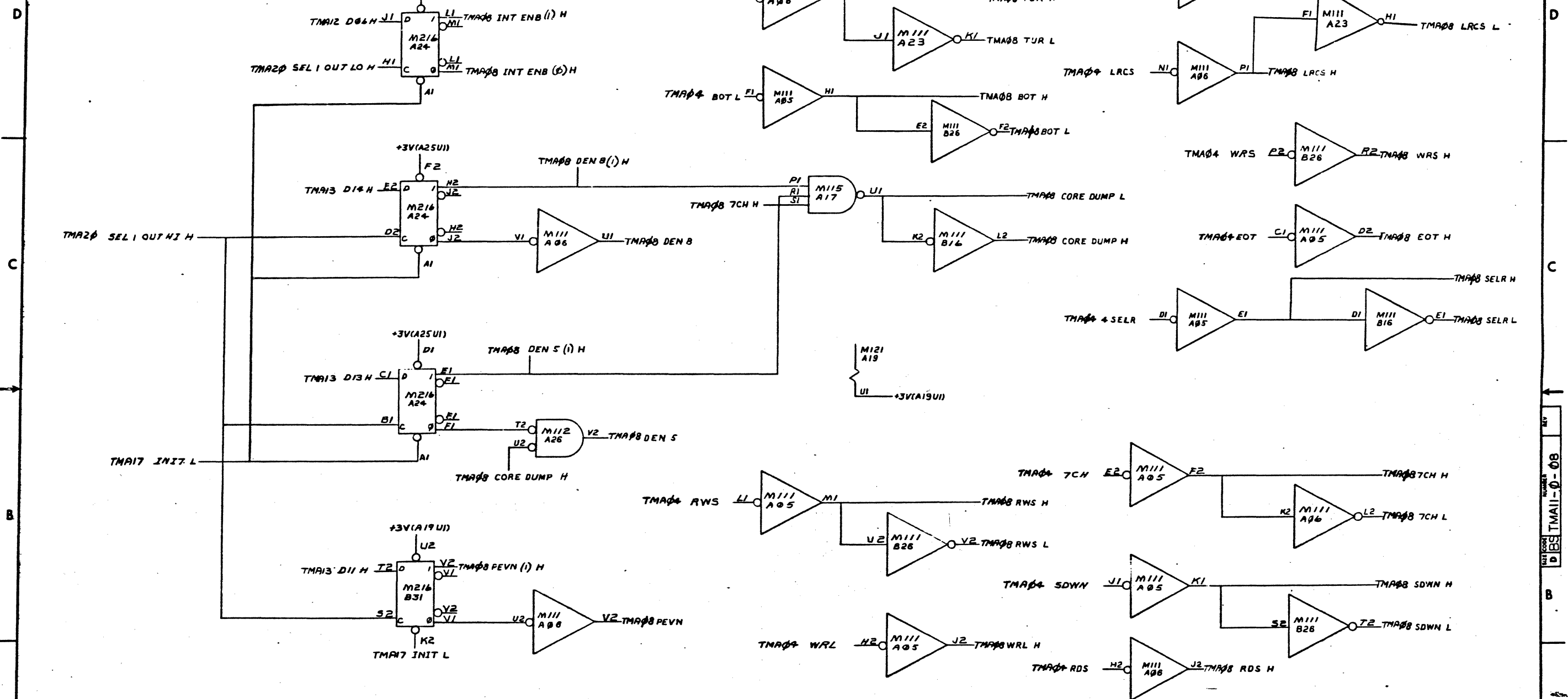


REV	CHANGE NO	REVISIONS

QUANTITY	DESCRIPTION	PART NO.	ITEM NO.
1	PDP-11		
UNLESS OTHERWISE SPECIFIED			
DRN	DATE 10-30-74	PARTS LIST	
CHK'D	DATE 11-1-74	digital EQUIPMENT CORPORATION	
ENG	DATE 12-5-74	MASSACHUSETTS	
PROJ. ENG.	DATE 12-6-74	TITLE	
PROJ. MGR.	DATE 12-6-74	CONTROL UNIT READY & TIMER	
MATERIAL			
NEXT HIGHER ASSY			
B-DD-TMA11-0			
SCALE NONE			
SHEET 1 OF 1			
SIZE CODE		NUMBER	REV
DBS/TMA11-0-06			

This drawing and specifications, herein, are the property of Digital Equipment Corporation and shall not be reproduced or copied in whole or in part or be loaned for the manufacture of parts of items without written permission.

COPYRIGHT © 1974
DIGITAL EQUIPMENT CORPORATION

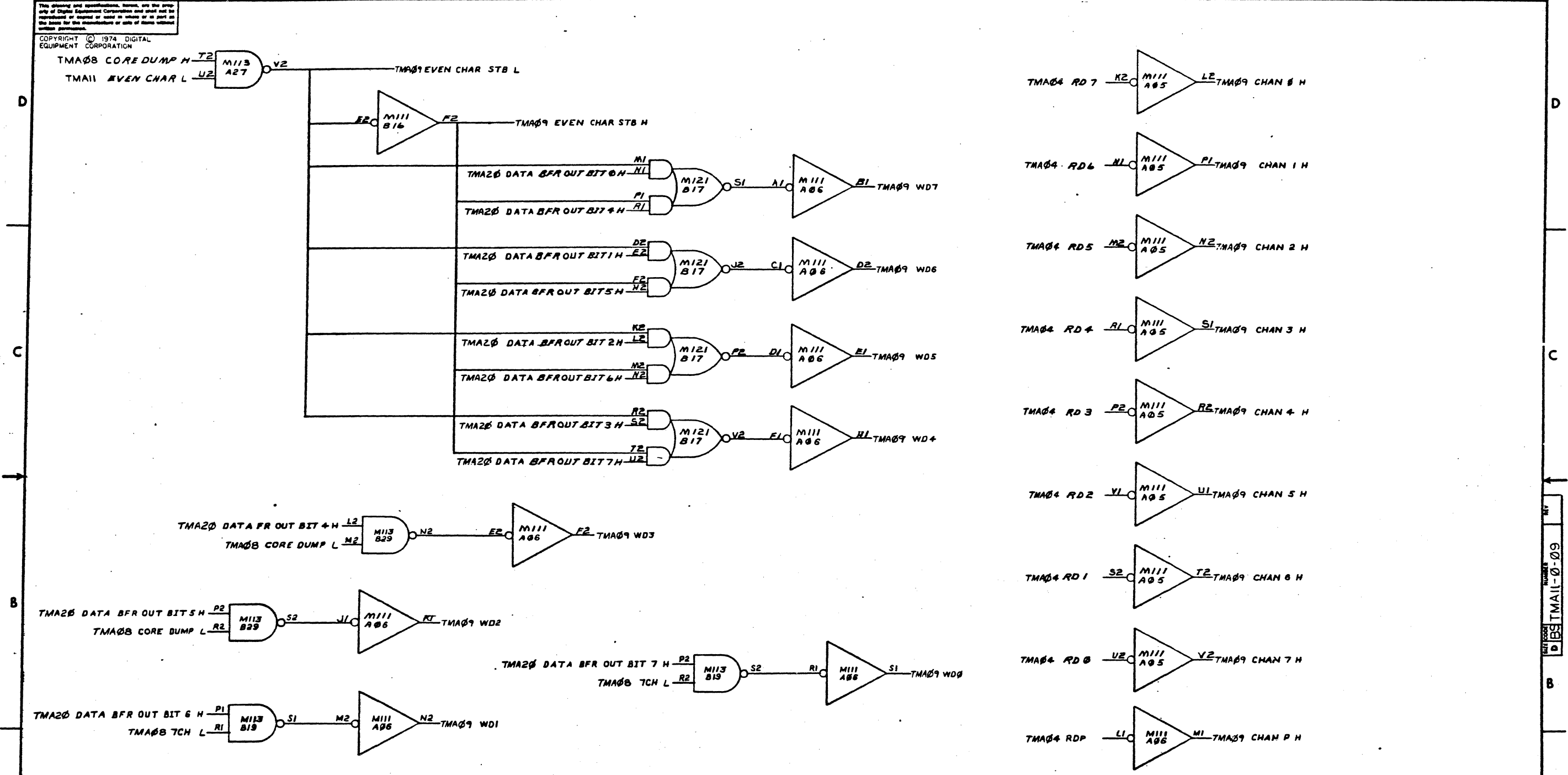


REV	CHANGE NO.	DESCRIPTION

FIRST USED ON OPTION/MOD PDP-11	QTY.	DESCRIPTION	PART NO.	ITEM NO.
PARTS LIST				
UNLESS OTHERWISE SPECIFIED DIMENSION IN INCHES	DRN	DATE	digital EQUIPMENT CORPORATION MAYNARD, MASSACHUSETTS	
TOLERANCES	CHK'D.	DATE	TITLE TAPE UNIT INTERFACE	
DECIMALS FRACTIONS ANGLES	ENG.	DATE		
± .005 ± 1/64 ± 0°30'	PROJ. ENG.	DATE		
FINISH SURFACE QUALITY REMOVE BURRS AND BREAK SHARP CORNERS	PROD.	DATE		
MATERIAL	NEXT HIGHER ASSY	SIZE/CODE NUMBER REV		
FINISH	B-DD-TMA11-0	SCALE NONE	DIBS TMA11-0-08	
SHEET / OF /	DIST.	1		

This drawing and specifications, herein, are the property of Digital Equipment Corporation and shall not be reproduced or copied in whole or in part for the same for the manufacture or sale of items without written permission.

COPYRIGHT © 1974 DIGITAL EQUIPMENT CORPORATION



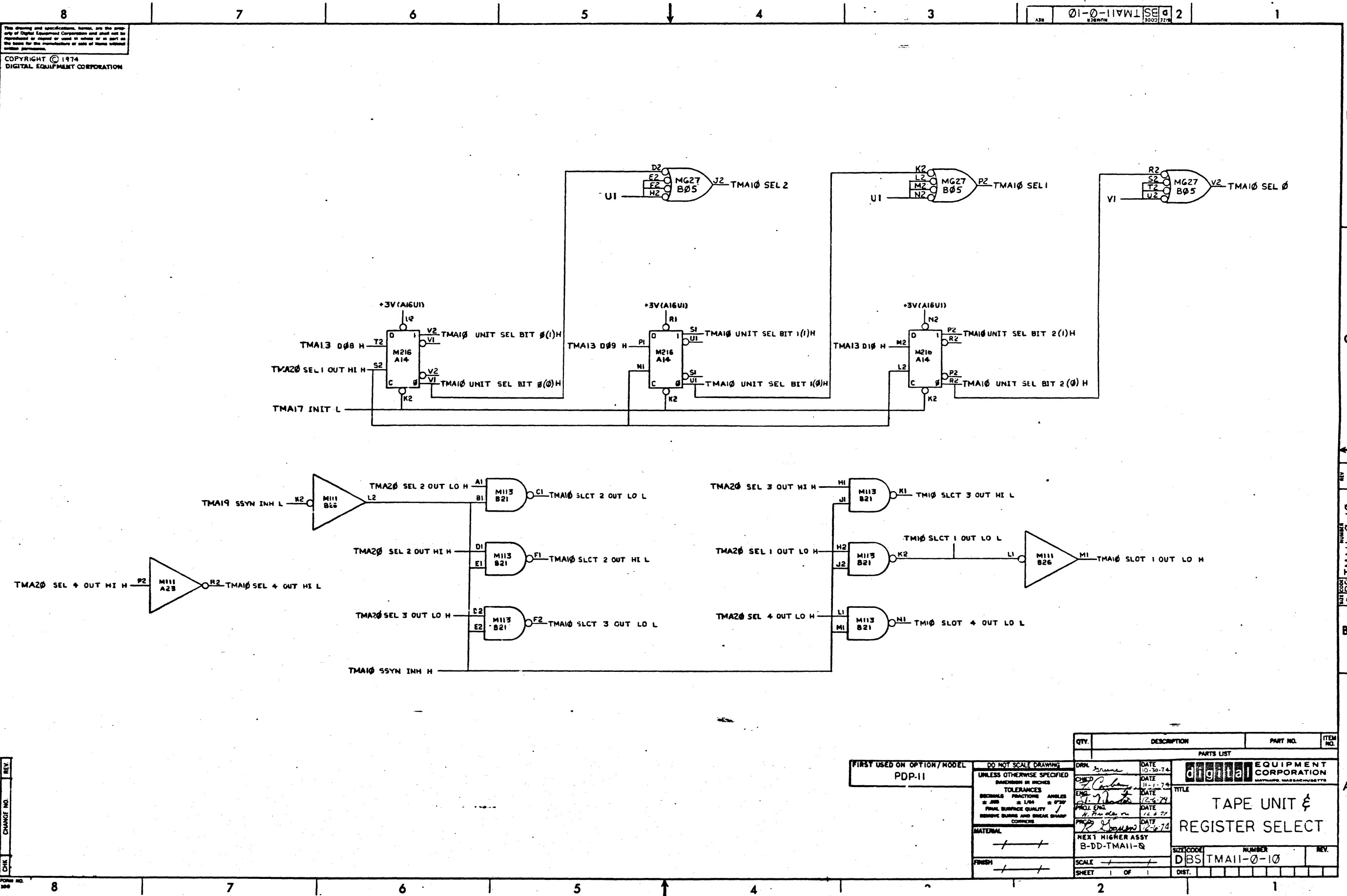
REV.	
CHANGE NO.	
CHK	

FIRST USED ON OPTION/MODEL PDP-11	QTY.	DESCRIPTION	PART NO.	ITEM NO.
UNLESS OTHERWISE SPECIFIED DIMENSIONS IN INCHES TOLERANCES DECIMALS FRACTIONS ANGLES ± .005 ± .002 ± .010 FINAL SURFACE QUALITY REMOVE BURRS AND BREAK SHARP CORNERS	DATE 10-31-74	DATE 12-2-74	DATE 12-2-74	DATE 12-2-74
MATERIAL FINISH	NEXT HIGHER ASSY B-DD-TM11-0	SCALE NONE	SHEET 1 OF 1	DIST.
PARTS LIST		TITLE MAG TAPE READ/WRITE LINES		
UNLESS OTHERWISE SPECIFIED		DIGITAL EQUIPMENT CORPORATION MAYNARD MASSACHUSETTS		
SIZE CODE B-DD-TM11-0		NUMBER DBS TM11-0-09		

60-0-11111-09

This drawing and specifications, herein, are the property of Digital Equipment Corporation and shall not be reproduced or stored in a retrieval system or in any form or by any means, electronic, mechanical, photocopying, recording, or by any information storage and retrieval system, without the prior written permission of Digital Equipment Corporation.

COPYRIGHT © 1974
DIGITAL EQUIPMENT CORPORATION



01-0-114W1 SE 2

REV	CHG	NO

FIRST USED ON OPTION/MODEL
PDP-11

DO NOT SCALE DRAWING
UNLESS OTHERWISE SPECIFIED
DIMENSIONS IN INCHES
TOLERANCES
DECIMALS FRACTIONS ANGLES
± .005 ± 1/64 ± 90°
FINISH SURFACE QUALITY
REMOVE BURRS AND BREAK SHARP CORNERS

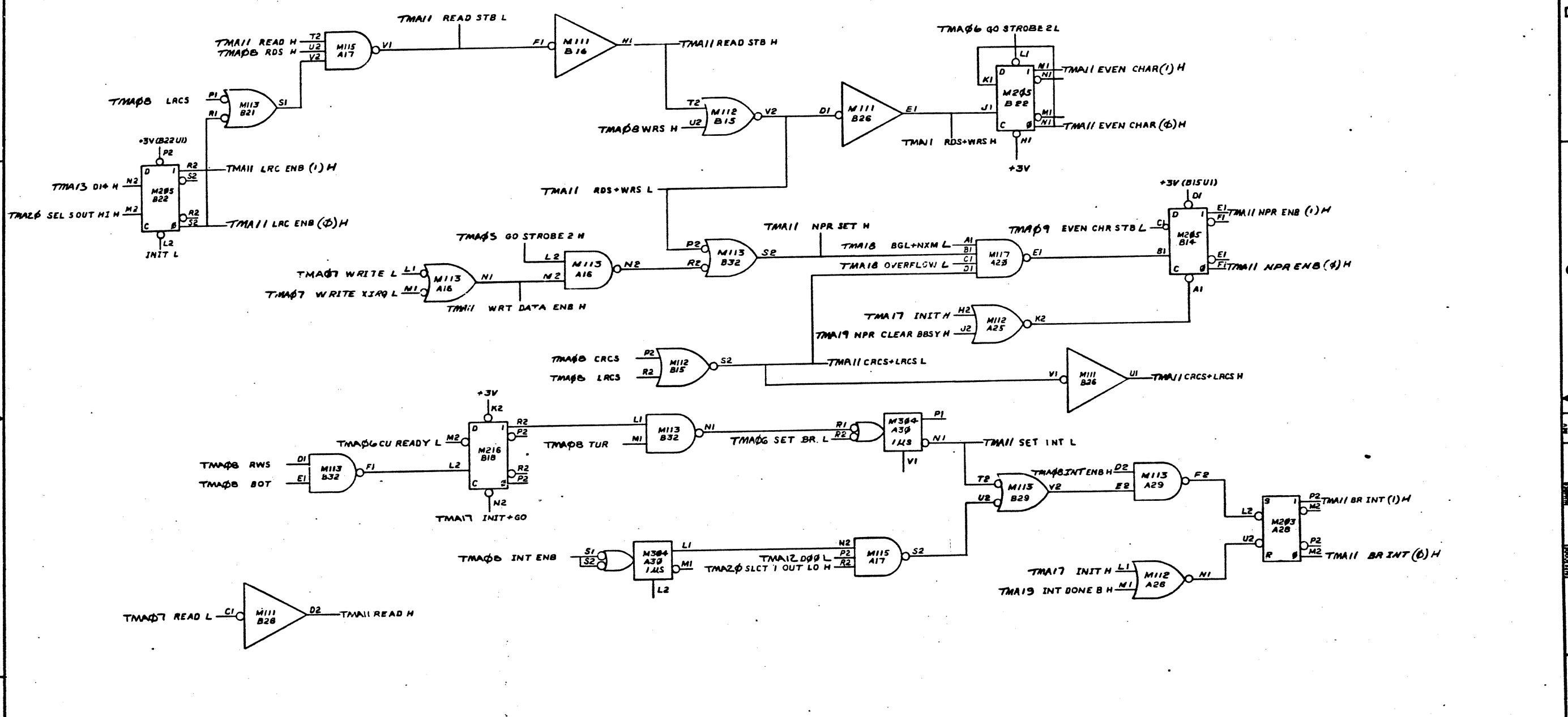
DRN
CHKD
ENG
MFG
PRG
NEXT HIGHER ASSY
SCALE
SHEET

DATE
DATE
DATE
DATE
DATE
DATE
DATE
DATE

QTY	DESCRIPTION	PART NO.	ITEM NO.
PARTS LIST			
digital EQUIPMENT CORPORATION MAYFIELD, MASSACHUSETTS		TITLE	
B-DD-TMA11-Q		TAPES UNIT REGISTER SELECT	
SCALE	NUMBER	REV.	
1 OF 1	DBS TMA11-0-10		
DST.			

REV. NO. 10
DBS TMA11-0-10

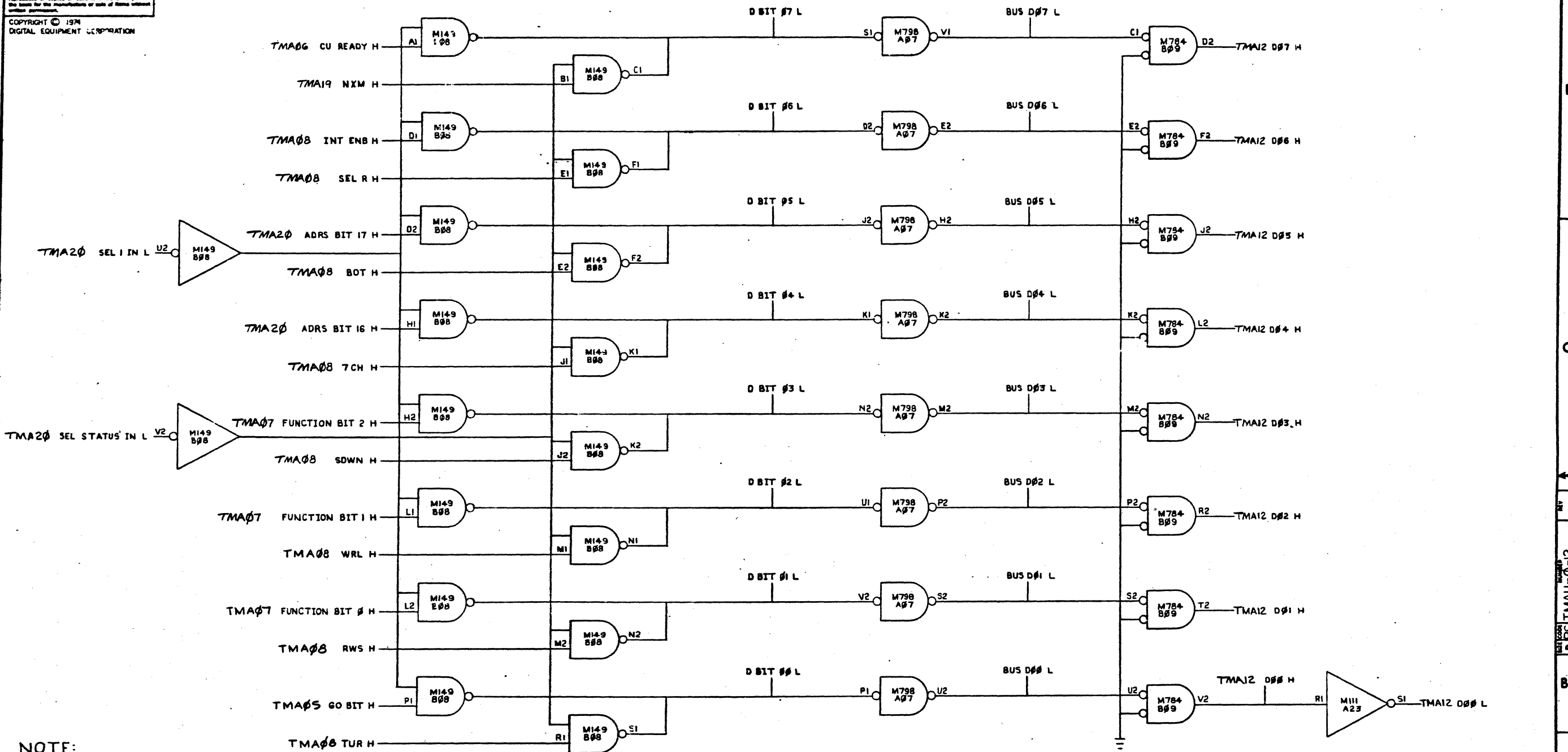
This drawing and specifications, herein, are the property of Digital Equipment Corporation and shall not be reproduced or copied in whole or in part or in any form for the manufacture of any of these without written permission.
 COPYRIGHT © 1974
 DIGITAL EQUIPMENT CORPORATION



FIRST USED ON OPTION MODEL	QTY.	DESCRIPTION	PART NO.	ITEM NO.
PDP-11				
UNLESS OTHERWISE SPECIFIED		DATE	PARTS LIST	
DRN	10-29-74	DATE	digital EQUIPMENT CORPORATION.	
CHKD	10-31-74	DATE	MULTIPLY BY MANUFACTURER'S	
UNLESS OTHERWISE SPECIFIED		DATE	TITLE	
DIMENSIONS IN INCHES		DATE	NPR AND BR ENABLE	
TOLERANCES		DATE	SIZE CODE	
DECIMALS FRACTIONS ANGLES		DATE	NUMBER	
± .008 ± 1/32 ± 0°30'		DATE	REV	
FINISH SURFACE QUALITY		DATE	DIST.	
REMOVE BURRS AND BREAK SHARP CORNERS		DATE	SHEET 1 OF 1	
MATERIAL		DATE	NEXT HIGHER ASST	
FINISH		DATE	B-DD-TMA11-0	
		DATE	SCALE NONE	
		DATE	SHEET 1 OF 1	

RETRIEVE NO. INCL. CHANGE NO. CHK.

This drawing and specifications, herein, and the copy-
 right of Digital Equipment Corporation and shall not be
 reproduced or copied in whole or in part or be used
 in any way for the manufacture or sale of items without
 written permission.
 COPYRIGHT © 1974
 DIGITAL EQUIPMENT CORPORATION



NOTE:
 L SIGNALS D BIT 00-07L ARE
 COLLECTOR ORED INPUT POINTS.

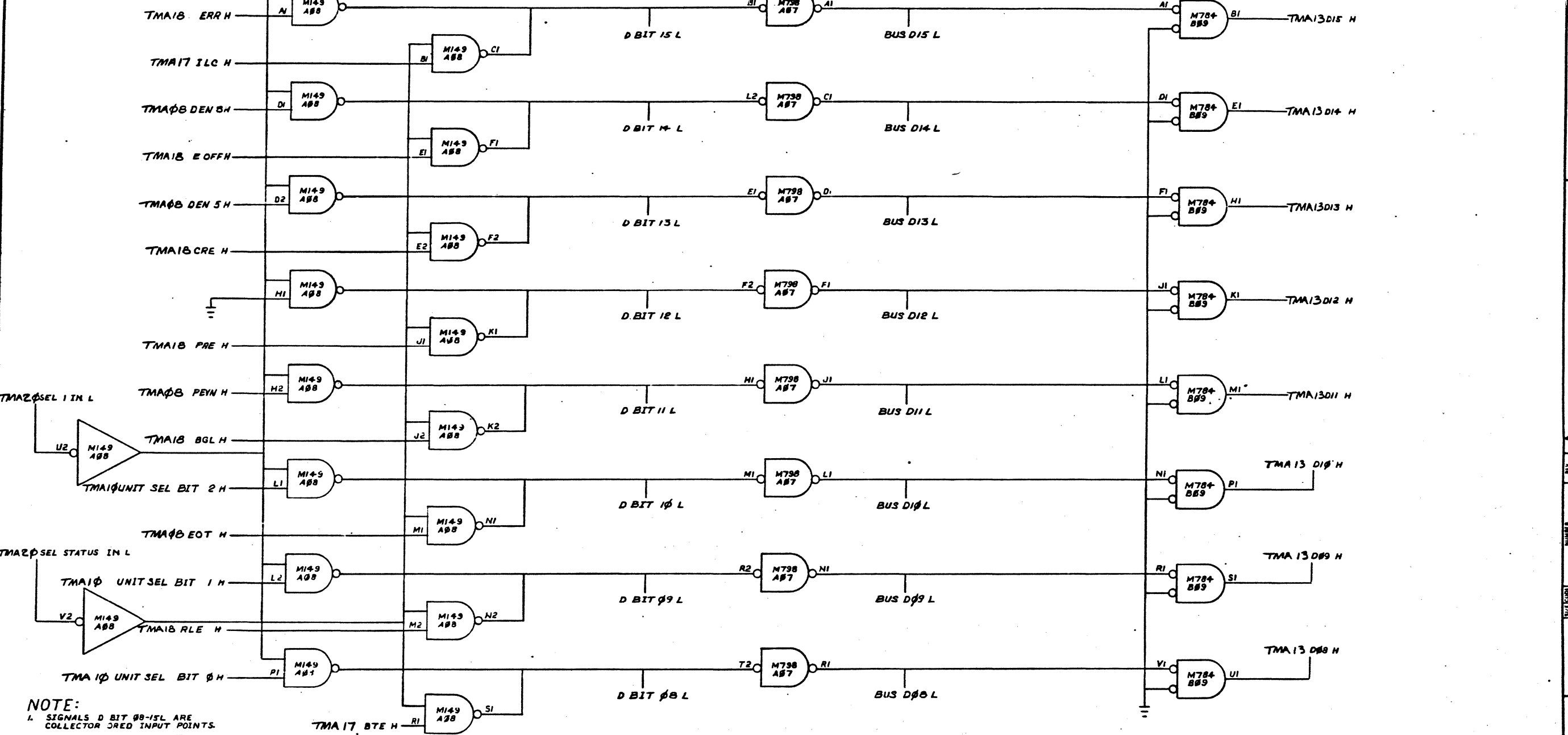
REVISIONS	NO.	DATE
CHK	CHANGE NO.	REV

DEC FORM NO
 DRG 102A

FIRST USED ON OPTION/MODEL PDP-11	QTY.	DESCRIPTION	PART NO.	ITEM NO.
PARTS LIST				
UNLESS OTHERWISE SPECIFIED DIMENSIONS IN INCHES	DATE 10-31-74	digital EQUIPMENT CORPORATION MAYFIELD MASSACHUSETTS		
TOLERANCES	DATE 9-31-74	TITLE LOW BYTE COMMAND & STATUS REG		
DECIMALS FRACTIONS ANGLES	DATE 12-7-74	SIZE CODE NUMBER DBS TMA11-0-12		
± .008 ± 1/64 ± .030	DATE 11-10-74	REV		
FINAL SURFACE QUALITY / REMOVE BURRS AND BREAK SHARP CORNERS	DATE 12-6-74	SCALE NONE		
MATERIAL	NEXT HIGHER ASSY	SHEET OF 1		
FINISH	SCALE NONE	DST.		

This drawing and specifications, herein, are the property of Digital Equipment Corporation and shall not be reproduced or copied in whole or in part, in any form, without the written permission of Digital Equipment Corporation.

COPYRIGHT © 1974
DIGITAL EQUIPMENT CORPORATION



NOTE:
1. SIGNALS D BIT 08-15L ARE COLLECTOR DRED INPUT POINTS.

REV	CHANGE NO.	REVISIONS

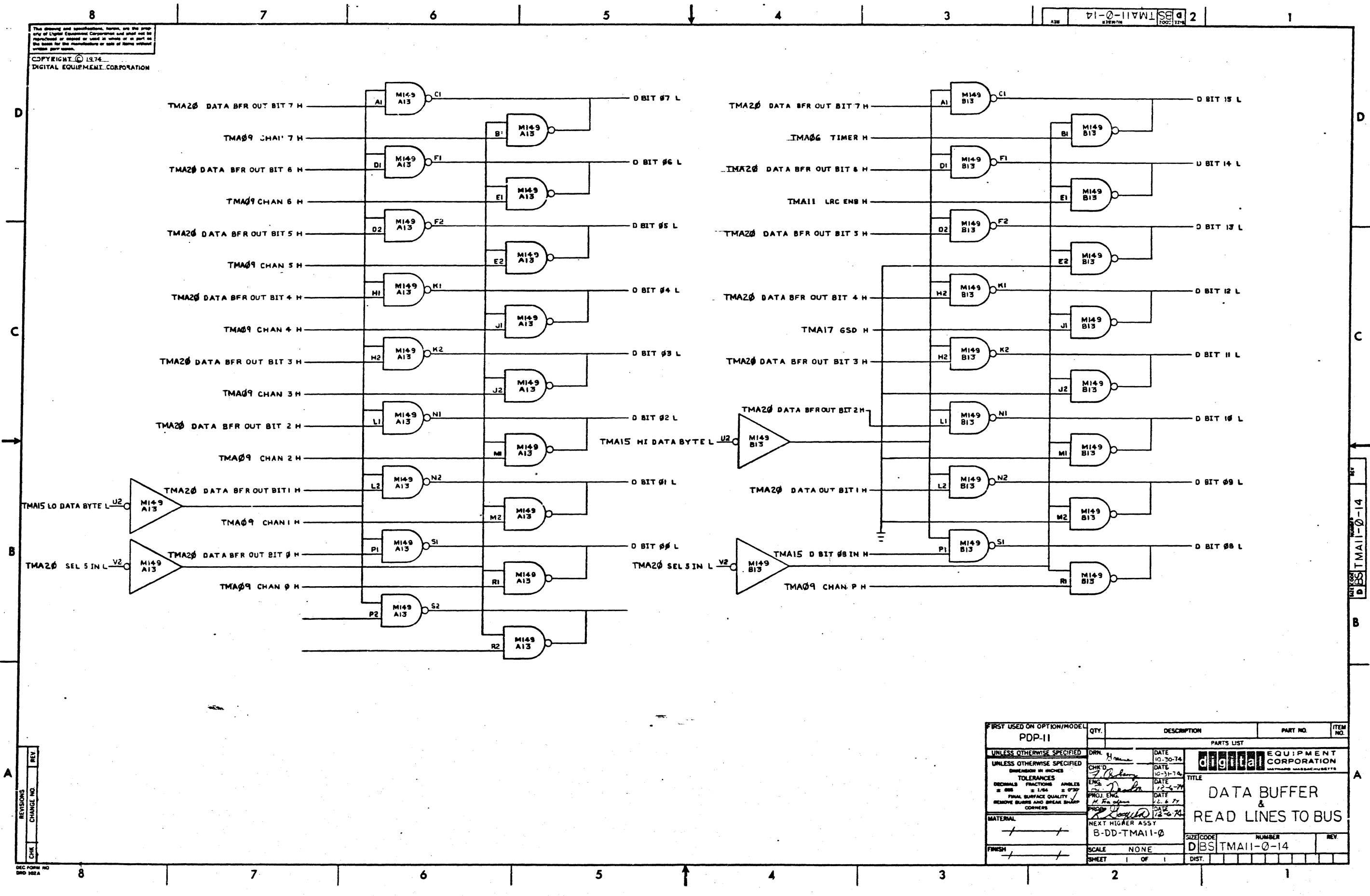
DEC FORM NO 010 102A

FIRST USED ON OPTIMUM MODEL PDP-11	QTY.	DESCRIPTION	PART NO.	ITEM NO.
PARTS LIST				
UNLESS OTHERWISE SPECIFIED	DATE	digital EQUIPMENT CORPORATION MAYNARD MASSACHUSETTS		
UNLESS OTHERWISE SPECIFIED	DATE	TITLE HIGH BYTE COMMAND & STATUS REG		
DIMENSION IN INCHES	DATE			
TOLERANCES	DATE			
DECIMALS FRACTIONS ANGLES	DATE			
± .005 ± .1/64 ± .075	DATE	SIZE CODE NUMBER REV.		
FINAL SURFACE QUALITY	DATE	DBS TMA11-0-13		
REMOVE BURRS AND BREAK SHARP CORNERS	DATE	DST.		
MATERIAL	DATE	SCALE		
FINISH	DATE	SHEET OF		

REV. COR. NO. DBS TMA11-0-13

This drawing and specifications, herein, are the property of Digital Equipment Corporation and shall not be reproduced or copied or used in whole or in part in the design for the manufacture or sale of items without written permission.

COPYRIGHT © 1974
DIGITAL EQUIPMENT CORPORATION

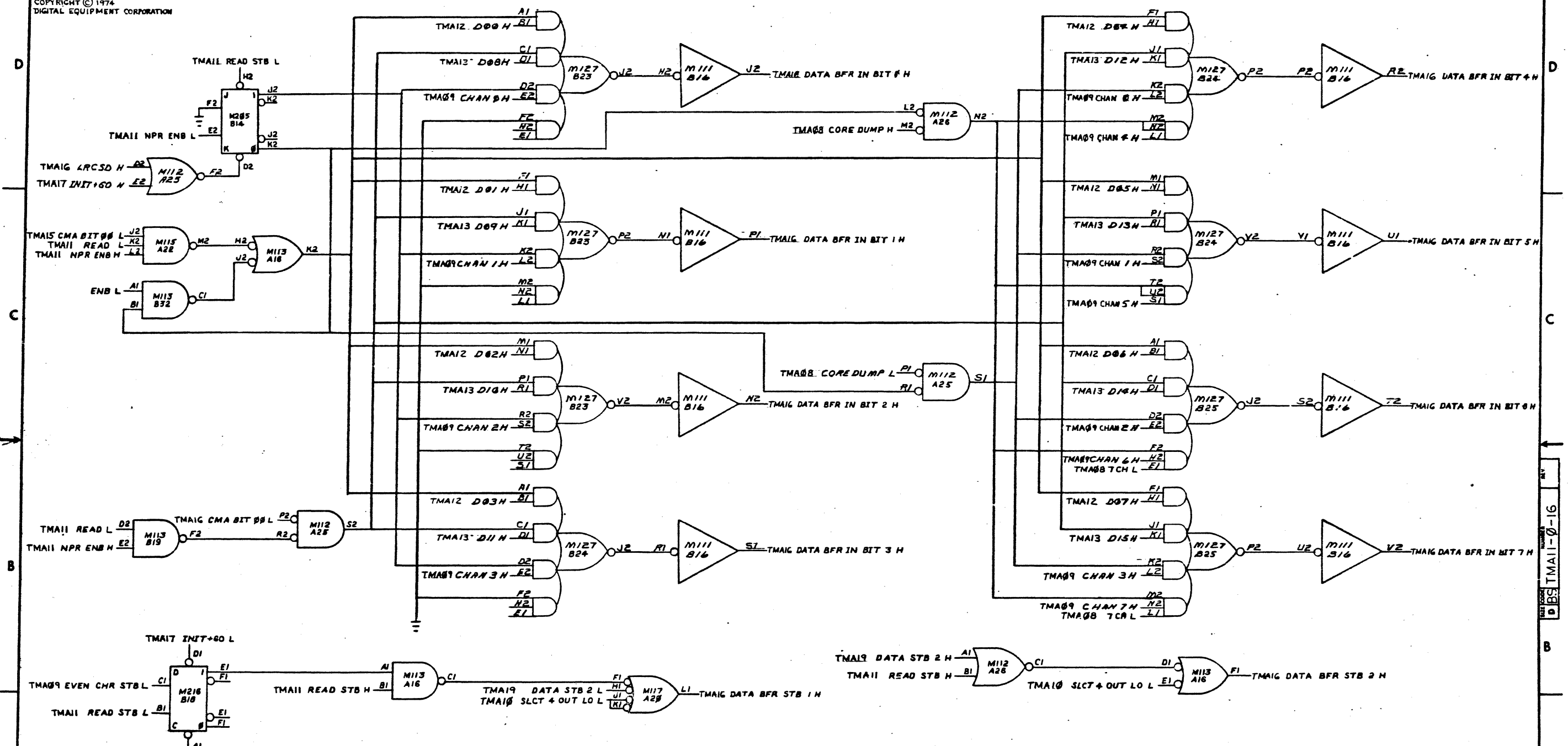


REV	CHG	NO

FIRST USED ON OPTION/MODEL PDP-11		QTY.	DESCRIPTION	PART NO.	ITEM NO.
UNLESS OTHERWISE SPECIFIED DIMENSIONS IN INCHES TOLERANCES DECIMALS FRACTIONS ANGLES ± .005 ± 1/64 ± 0°30' FINAL SURFACE QUALITY REMOVE BURRS AND BREAK SHARP CORNERS		DRN. <i>H. H.</i>	DATE 10-30-74	PARTS LIST	
MATERIAL		CHK'D <i>F. B.</i>	DATE 10-31-74	digital EQUIPMENT CORPORATION MAYFIELD MASSACHUSETTS	
FINISH		ENG. <i>D. B.</i>	DATE 12-4-74	TITLE DATA BUFFER & READ LINES TO BUS	
		PROJ. ENG. <i>H. F.</i>	DATE 12-6-74	NEXT HIGHER ASSY B-DD-TMA11-0	
		DATE 12-6-74	DATE	SIZE CODE D BS TMA11-0-14	
				NUMBER 1	
				REV	
				SHEET 1 OF 1	
				DST.	

D|BS TMA11-0-14

This drawing and specifications, herein, are the property of Digital Equipment Corporation and shall not be reproduced or copied or used in whole or in part as the basis for the manufacture of any of items without written permission.
 COPYRIGHT © 1974
 DIGITAL EQUIPMENT CORPORATION

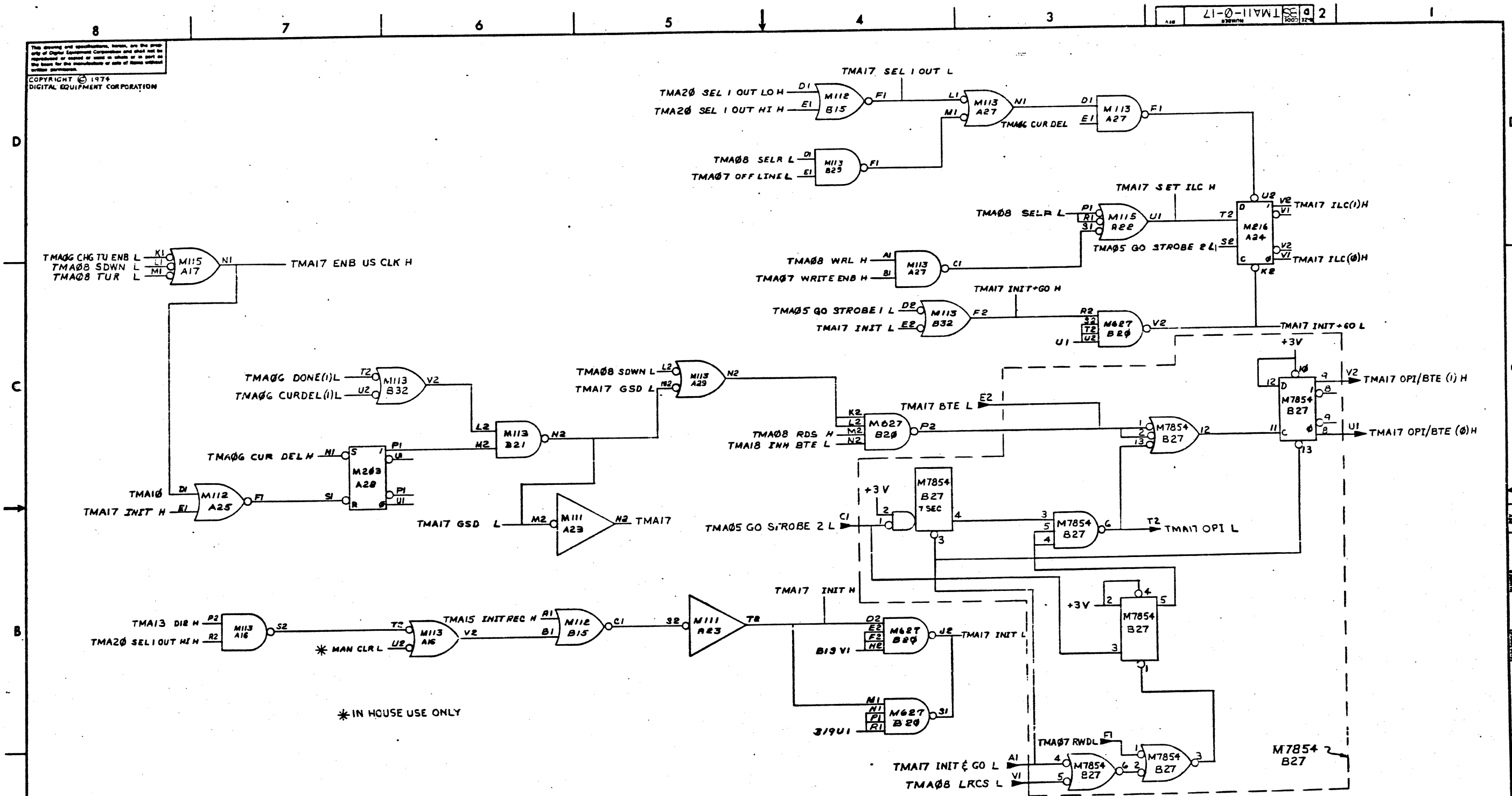


REV	
CHG	
NO	
DATE	

FIRST USED ON OPTION/MODEL	QTY.	DESCRIPTION	PART NO.	ITEM NO.
PDP-11				
UNLESS OTHERWISE SPECIFIED		DATE	PARTS LIST	
UNLESS OTHERWISE SPECIFIED		DATE	digital EQUIPMENT CORPORATION	
DIMENSION IN INCHES		DATE	MAY 1968 MASSACHUSETTS	
TOLERANCES		DATE	TITLE	
DECIMALS FRACTIONS ANGLES		DATE	DATA BUFFER INPUTS	
± .008 ± .004 ± .007		DATE	SIZE CODE NUMBER REV.	
FINAL SURFACE QUALITY		DATE	D B S T M A I I - 0 - 1 6	
REMOVE BURRS AND BREAK SHARP CORNERS		DATE	SCALE NONE	
MATERIAL		DATE	SHEET / OF /	
FINISH		DATE	DIST.	

This drawing and specifications, herein, are the property of Digital Equipment Corporation and shall not be reproduced or copied in whole or in part, or be the basis for the manufacture of any of them without written permission.

COPYRIGHT © 1974
DIGITAL EQUIPMENT CORPORATION



* IN HOUSE USE ONLY

FIRST USED ON OPTION/MODEL	QTY.	DESCRIPTION	PART NO.	ITEM NO.
PDP-11				
UNLESS OTHERWISE SPECIFIED				
DRN. <i>Strane</i>	DATE 10-30-74	digital EQUIPMENT CORPORATION MAYFIELD MASSACHUSETTS		
CHK'D <i>J. Cochran</i>	DATE 10-31-74			
ENG. <i>J. H. L.</i>	DATE 7-6-74			
PROJ. ENG. <i>J. H. L.</i>	DATE 1-2-74			
MATERIAL		TITLE		REV
FINISH		OPI/BTE, ILC INIT		
SCALE NONE		SIZE CODE	NUMBER	REV
SHEET OF		B-DD-TMA11-0	DES TMA11-0-17	

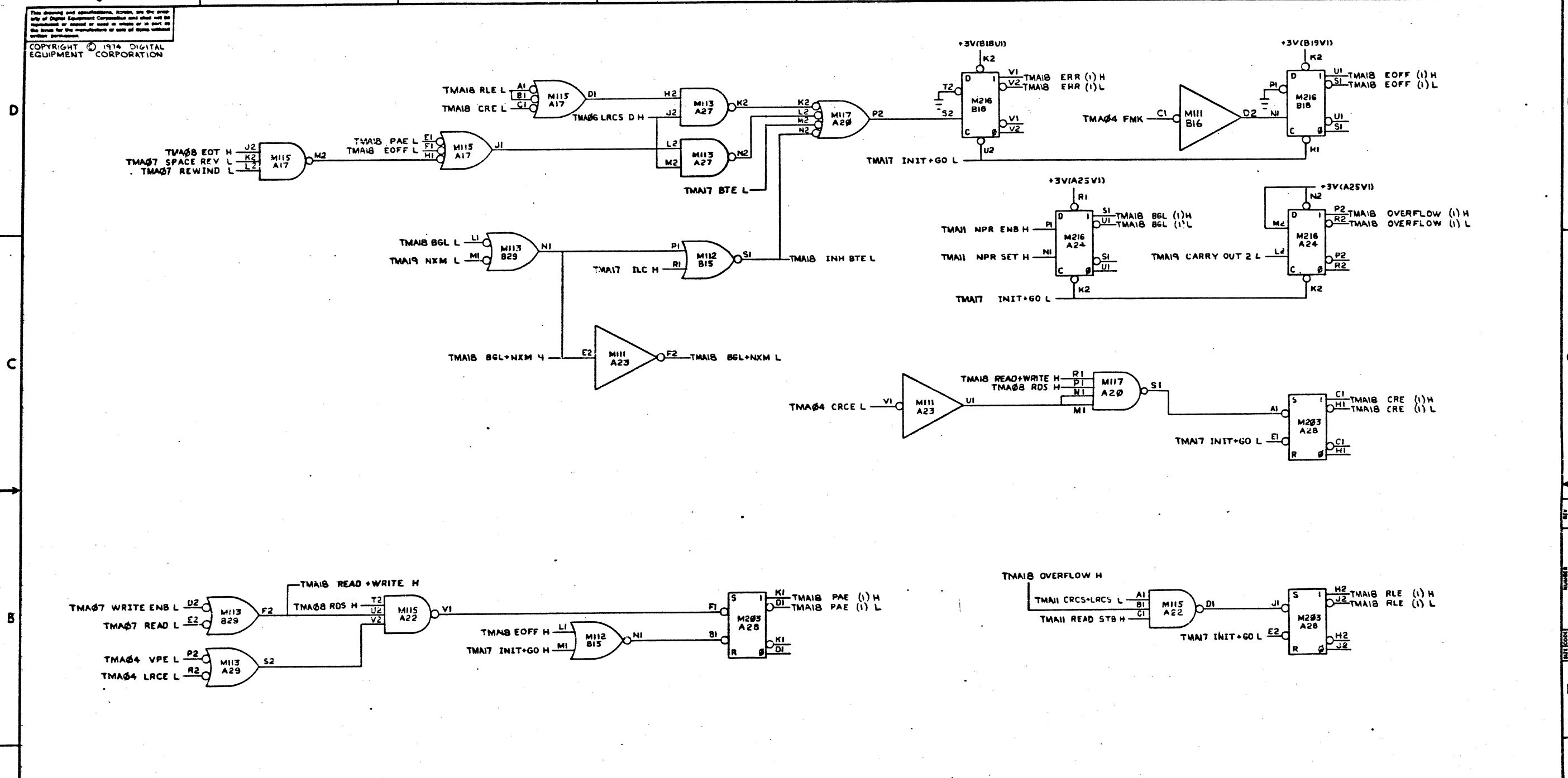
REVISIONS	CHANGE NO.	REV.
CHK		

DEC FORM NO 500 502A

This drawing and specifications, herein, are the property of Digital Equipment Corporation and shall not be reproduced or used in whole or in part on any form for the manufacture or sale of items without written permission.

COPYRIGHT © 1974 DIGITAL EQUIPMENT CORPORATION

DBS TMA11-0-18 2



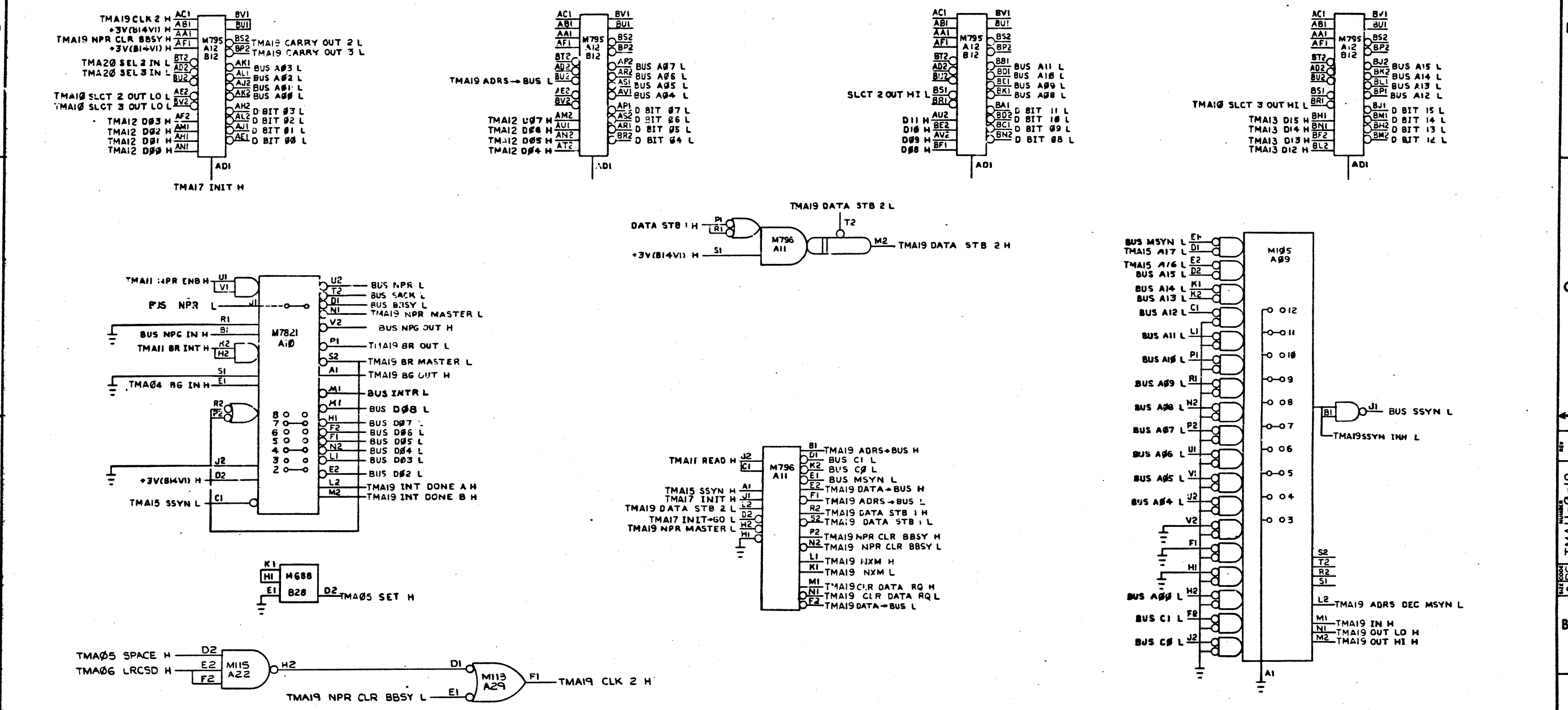
REV	CHG	NO

FIRST USED ON OPTION/MODEL	QTY.	DESCRIPTION	PART NO.	ITEM NO.
PDP-11		PARTS LIST		
UNLESS OTHERWISE SPECIFIED		DRN <i>[Signature]</i>	DATE 01/11/74	digital EQUIPMENT CORPORATION MAYNARD, MASSACHUSETTS
DIMENSION IN INCHES		CHK <i>[Signature]</i>	DATE 11-1-74	
TOLERANCES		ENG <i>[Signature]</i>	DATE 12-6-74	
DECIMALS .008	ANGLES 20° 30'	PROJ. ENG 46.7V	DATE	TITLE MAGNETIC TAPE ERRORS
REMOVE BURRS AND BREAK SHARP CORNERS SURFACE QUALITY		PROD <i>[Signature]</i>	DATE	
MATERIAL		NEXT HIGHER ASSY.		
FINISH		SCALE NONE	SIZE CODE	NUMBER
		SHEET OF	DIST.	REV.

DBS TMA11-0-18

This drawing and specifications herein are the property of Digital Equipment Corporation and shall not be reproduced or used in whole or in part without the written permission of Digital Equipment Corporation.

COPYRIGHT © 1974
DIGITAL EQUIPMENT CORPORATION

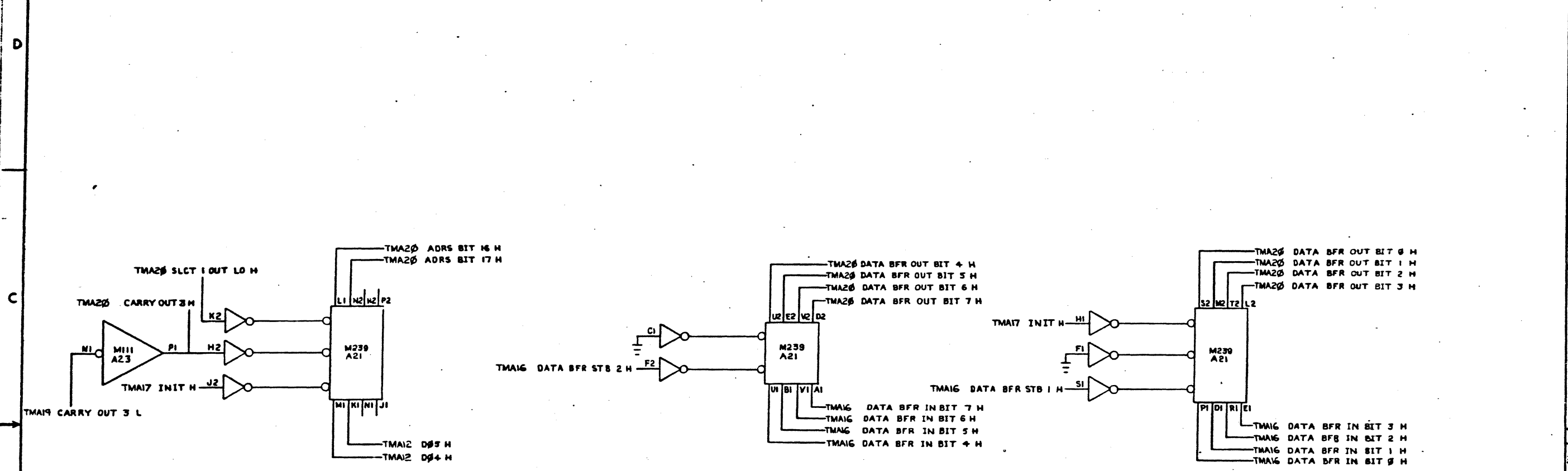


REV.	CHANGE NO.	DATE

FIRST USED ON OPTION / MODEL POP-11	DO NOT SCALE DRAWING UNLESS OTHERWISE SPECIFIED DIMENSION IN INCHES TOLERANCES DECIMALS FRACTIONS ANGLES ± .001 ± 1/64 ± 0.030 FORM SURFACE QUALITY REMOVE CHAMFERS AND BREAK SHARP CORNERS	<table border="1"> <tr> <th>DRW.</th> <th>DATE</th> </tr> <tr> <td> </td> <td>10-29-74</td> </tr> <tr> <th>CHEK.</th> <th>DATE</th> </tr> <tr> <td> </td> <td>11-1-74</td> </tr> <tr> <th>ENG.</th> <th>DATE</th> </tr> <tr> <td> </td> <td>12-6-74</td> </tr> <tr> <th>PROJ. ENGR.</th> <th>DATE</th> </tr> <tr> <td> </td> <td>12-8-74</td> </tr> <tr> <th>PROG.</th> <th>DATE</th> </tr> <tr> <td> </td> <td>12-6-74</td> </tr> </table>	DRW.	DATE		10-29-74	CHEK.	DATE		11-1-74	ENG.	DATE		12-6-74	PROJ. ENGR.	DATE		12-8-74	PROG.	DATE		12-6-74
DRW.	DATE																					
	10-29-74																					
CHEK.	DATE																					
	11-1-74																					
ENG.	DATE																					
	12-6-74																					
PROJ. ENGR.	DATE																					
	12-8-74																					
PROG.	DATE																					
	12-6-74																					
MATERIAL	NEXT HIGHER ASSY. B-DD-TMA11-0	<table border="1"> <tr> <th>SCALE</th> <th>NONE</th> </tr> <tr> <td> </td> <td> </td> </tr> <tr> <th>SHEET</th> <th>OF</th> </tr> <tr> <td> </td> <td> </td> </tr> </table>	SCALE	NONE			SHEET	OF														
SCALE	NONE																					
SHEET	OF																					
<table border="1"> <tr> <th>QTY.</th> <th>DESCRIPTION</th> <th>PART NO.</th> <th>ITEM NO.</th> </tr> <tr> <td> </td> <td> </td> <td> </td> <td> </td> </tr> </table>		QTY.	DESCRIPTION	PART NO.	ITEM NO.					<table border="1"> <tr> <th colspan="2">PARTS LIST</th> </tr> <tr> <td> </td> <td> </td> </tr> <tr> <td> </td> <td> </td> </tr> </table>	PARTS LIST											
QTY.	DESCRIPTION	PART NO.	ITEM NO.																			
PARTS LIST																						
<table border="1"> <tr> <th>DATE CODE</th> <th>NUMBER</th> <th>REV.</th> </tr> <tr> <td>D3S</td> <td>TMA11-0-19</td> <td> </td> </tr> </table>		DATE CODE	NUMBER	REV.	D3S	TMA11-0-19		<table border="1"> <tr> <th colspan="2">digital EQUIPMENT CORPORATION</th> </tr> <tr> <td> </td> <td> </td> </tr> <tr> <td> </td> <td> </td> </tr> </table>	digital EQUIPMENT CORPORATION													
DATE CODE	NUMBER	REV.																				
D3S	TMA11-0-19																					
digital EQUIPMENT CORPORATION																						
<table border="1"> <tr> <th colspan="2">TMA11 COMBINED PACKAGES</th> </tr> <tr> <td> </td> <td> </td> </tr> </table>		TMA11 COMBINED PACKAGES				<table border="1"> <tr> <th>SCALE</th> <th>NONE</th> </tr> <tr> <td> </td> <td> </td> </tr> <tr> <th>SHEET</th> <th>OF</th> </tr> <tr> <td> </td> <td> </td> </tr> </table>	SCALE	NONE			SHEET	OF										
TMA11 COMBINED PACKAGES																						
SCALE	NONE																					
SHEET	OF																					

This drawing and specifications, herein, are the property of Digital Equipment Corporation and shall not be reproduced or copied in whole or in part, in any form, for the manufacture of parts of this product without written permission.

COPYRIGHT © 1974 DIGITAL EQUIPMENT CORPORATION



TMA19 AORS DEC MSYN L	V1	D2
TMA19 OUT LO H	D1	E2
TMA19 SSYN INH L	V2	F2
OUT HI H	AJ	E1
TMA15 A03 H	B2	F1
TMA15 A02 H	B1	K2
TMA15 A01 H	C1	J2
		H2
		L2
		M2
		K1
		J1
		L1
		R2
		N2
		M1
		P2
		N1
		S2
		U2
		O2
		S1
		U1
		R1
		H1

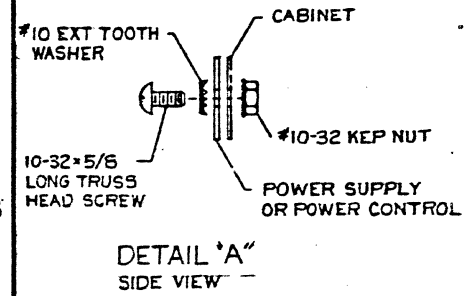
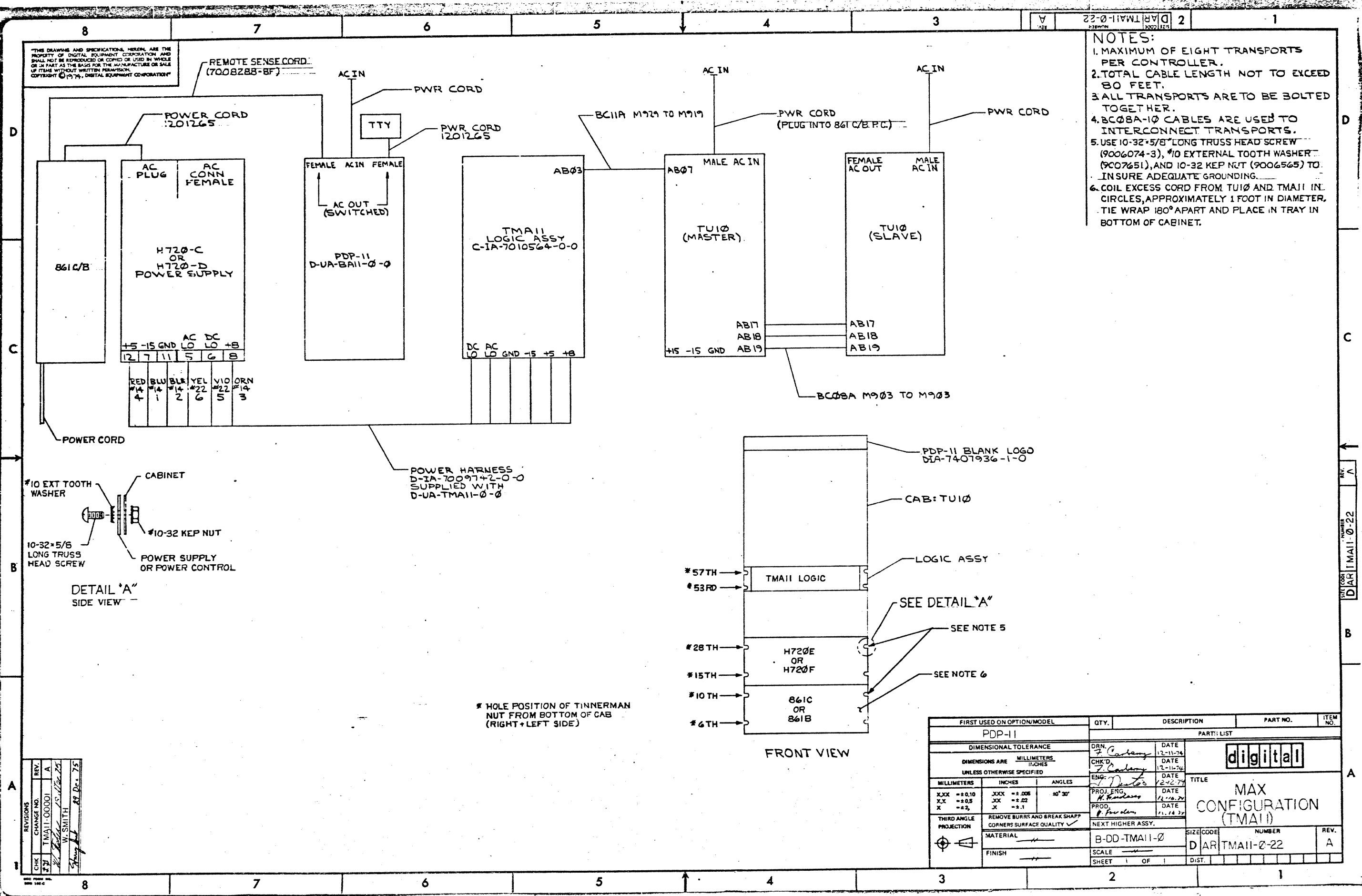
REV	NO

FIRST USED ON OPTION/MODEL	QTY.	DESCRIPTION	PART NO.	ITEM NO.
PDP-11				
UNLESS OTHERWISE SPECIFIED	DATE	PARTS LIST		
UNLESS OTHERWISE SPECIFIED	10-31-74	digital EQUIPMENT CORPORATION		
UNLESS OTHERWISE SPECIFIED	10-31-74	BOSTON MASSACHUSETTS		
TOLERANCES	DATE	TITLE		
DECIMALS FRACTIONS ANGLES	12-2-77	REGISTER SELECT & DATA BUFFER		
± .005 ± 1/64 ± .01	DATE	SIZE CODE NUMBER REV.		
FINAL SURFACE QUALITY	12-2-77	DBS TMA11-0-20		
REMOVE BURRS AND BREAK SHARP CORNERS	DATE	DST.		
MATERIAL	2-2-72	SHEET 4 OF 3		
NEXT HIGHER ASSY				
B-DD-TMA11-0				
SCALE NONE				
FINISH				

DATE QUOTED NUMBER DBS TMA11-0-20

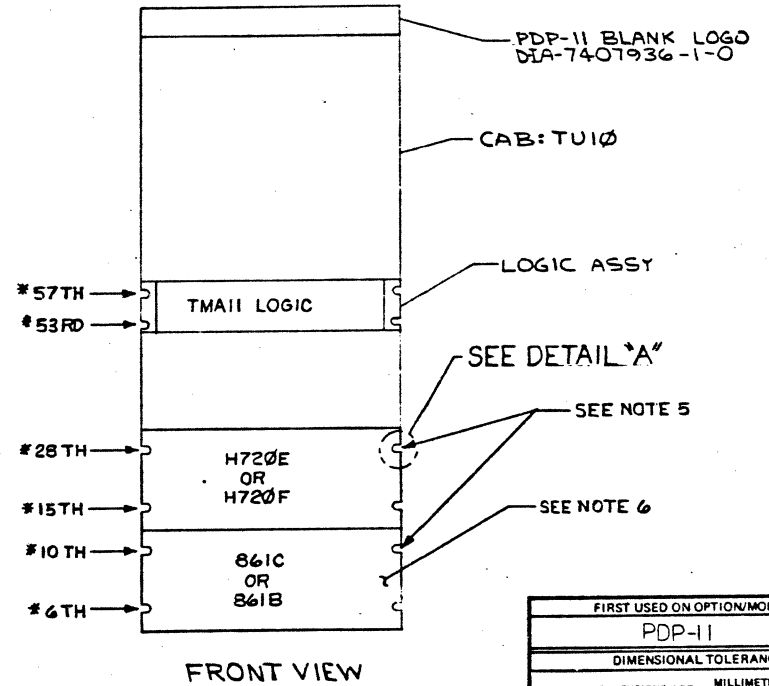
THE DRAWING AND SPECIFICATIONS HEREIN ARE THE PROPERTY OF DIGITAL EQUIPMENT CORPORATION AND SHALL NOT BE REPRODUCED OR COPIED OR USED IN WHOLE OR IN PART AS THE BASIS FOR THE MANUFACTURE OR SALE OF ITEMS WITHOUT WRITTEN PERMISSION. COPYRIGHT © 1974, DIGITAL EQUIPMENT CORPORATION.

- NOTES:**
1. MAXIMUM OF EIGHT TRANSPORTS PER CONTROLLER.
 2. TOTAL CABLE LENGTH NOT TO EXCEED 80 FEET.
 3. ALL TRANSPORTS ARE TO BE BOLTED TOGETHER.
 4. BC08A-10 CABLES ARE USED TO INTERCONNECT TRANSPORTS.
 5. USE 10-32*5/8" LONG TRUSS HEAD SCREW (9006074-3), #10 EXTERNAL TOOTH WASHER (9007651), AND 10-32 KEP NUT (9006565) TO INSURE ADEQUATE GROUNDING.
 6. COIL EXCESS CORD FROM TUI0 AND TMAII IN CIRCLES, APPROXIMATELY 1 FOOT IN DIAMETER, TIE WRAP 180° APART AND PLACE IN TRAY IN BOTTOM OF CABINET.



POWER HARNESS D-1A-700974-2-0-0 SUPPLIED WITH D-UA-TMAII-0-0

* HOLE POSITION OF TINNEMAN NUT FROM BOTTOM OF CAB (RIGHT+LEFT SIDE)



REV.	REV.
1	A
2	A
3	A

W. SMITH
12/18/74

FIRST USED ON OPTION/MODEL	QTY.	DESCRIPTION	PART NO.	ITEM NO.
PDP-11				
PART LIST				
DIMENSIONAL TOLERANCE		DRN. <i>F. Carls</i>	DATE 12-11-74	digital
DIMENSIONS ARE MILLIMETERS UNLESS OTHERWISE SPECIFIED		CHK'D. <i>F. Carls</i>	DATE 12-11-74	
MILLIMETERS	INCHES	ANGLES	DATE 12-12-74	TITLE MAX CONFIGURATION (TMAII)
XXX ±0.10	XXX ±.005	30° 30'	PROJ. ENG. <i>H. Rindley</i>	
XX ±0.5	XX ±.02		DATE 12-18-74	
X ±.2	X ±.1		PROD. <i>H. Rindley</i>	DATE 11-18-74
THIRD ANGLE PROJECTION	REMOVE BURRS AND BREAK SHARP CORNERS SURFACE QUALITY ✓	NEXT HIGHER ASSY.	SIZE CODE	NUMBER
	MATERIAL	B-DD-TMAII-0	D	AR/TMAII-0-22
	FINISH	SCALE	SHEET 1 OF 1	REV. A

DIGITAL EQUIPMENT CORPORATION
MAYNARD, MASSACHUSETTS

ACCESSORY LIST

LEGEND

D DOCUMENT
DN DOCUMENT CHANGE NOTICE
PA PAPER TAPE ASCII
PB PAPER TAPE BINARY
PM PAPER TAPE READ-IN-MODE

QUANTITY / VARIATION

MADE BY J. NESTOR
DATE 12-6-74
ENG H. FINDEISEN
DATE 12.6.74

CHECKED *J. Carberry*
DATE 12-9-74
PROD *H. Findeisen*
DATE 12-4-74

SECTION 1
ISSUED SECT. 1

ITEM NO.	DWG NO. / PART NO.	DESCRIPTION	QUANTITY / VARIATION										KIT CHECK	BY	DATE	INSTALLATION CHECK	BY	DATE	
			TM11-0																
1	TM11-0	COMPLETE PRINT SET (SEE R-DD-TM11-0)	1																
2	DEC 11-HATMA-A-D	MAINTENANCE MANUAL	1																
3		SOFTWARE KIT (A-SL-TM11-0-26)	1																
4	BC11A-8	UNIBUS CABLE 8'	1																
(NOTE: THE FOLLOWING ITEMS ARE REQUIRED FOR FIELD ADD-ONS ONLY)																			
5	DEC-11-HR5A-D	H720 POWER SUPPLY ENGINEERING DRAWINGS	1																
6	DEC-11-HR5B-D	H720 POWER SUPPLY MAINTENANCE MANUAL	1																
7																			
NOTE: THE FOLLOWING ITEMS ARE REQUIRED WHEN UNIT IS NOT CABINET-MOUNTED																			
8	70-8288-8F	REMOTE SENSE CABLE (H720 POWER SUPPLY)	1																
9	70-7006-1	JUMPER PLUG (H720 POWER SUPPLY)	1																
10	70-7006-2	JUMPER PLUG (H720 POWER SUPPLY)	1																
11	BC11A-5	MASTER INTERFACE CABLE 5'	1																
12	90-8851	MOUNTING HARDWARE	1																
13	91-7710/ 90-8849	HOOK UP WIRE	1																

TITLE DEC MAGTAPE CONTROL PDP-11	ASSY. NO. D-UA-TM11-0-0	SIZE A	CODE AL	NUMBER TM11-0-24	REV.	ECO NO
	SHEET / OF /	DIST.				

DIGITAL EQUIPMENT CORPORATION
MAYNARD, MASSACHUSETTS

SOFTWARE LIST

LEGEND

- D DOCUMENT
- DN DOCUMENT CHANGE NOTICE
- PA PAPER TAPE ASCII
- PB PAPER TAPE BINARY
- PM PAPER TAPE READ-IN-MODE

QUANTITY / VARIATION

MADE BY DATE <u>12-6-74</u> <u>JM</u>	CHECKED <u>ME</u> DATE <u>12-9-74</u>	SECTION 1	
ENG DATE <u>12.6.74</u> <u>HF</u>	PROD <u>System Request</u> DATE <u>12/5-74</u>	ISSUED SECT. 1	

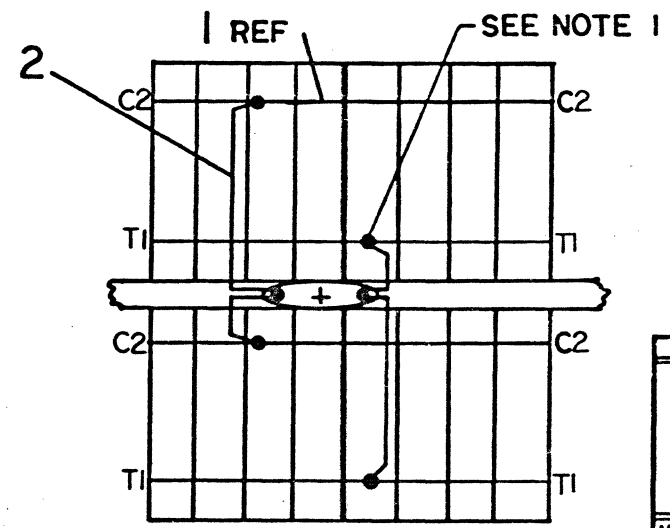
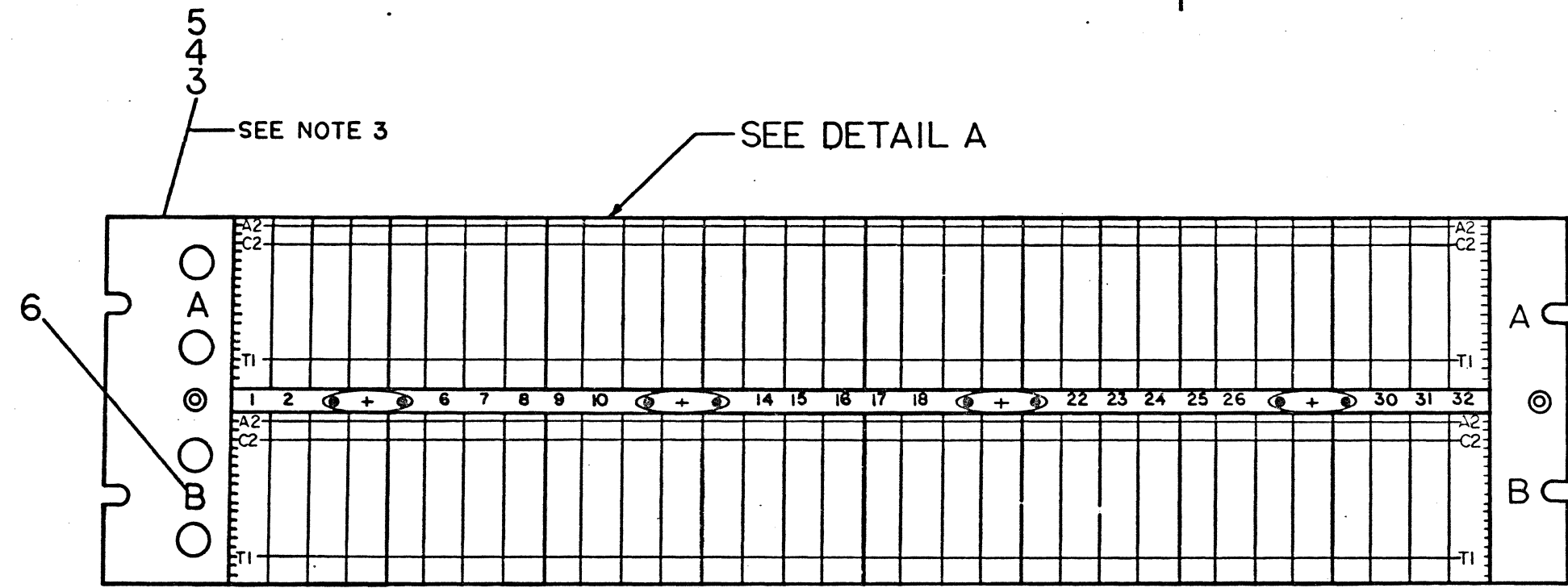
ITEM NO.	DWG NO. / PART NO.	DESCRIPTION	QUANTITY / VARIATION				KIT CHECK		INSTALLATION CHECK	
			W/9 TRACK TULO	W/7 TRACK TULO			BY	DATE	BY	DATE
1	MAINDEC 11-DZTME-A	LRTIVE FUNCTION TIMER	X	X						
2	MAINDEC 11-DZTMF-A	SUPPLEMENTAL INSTRUCTION TEST	X	X						
3	MAINDEC 11-DZTMA-C	INSTRUCTION TEST	X	X						
4	MAINDEC 11-DZTMB-B	DATA RELIABILITY - 9 TRACK	X							
5	MAINDEC 11-DZTMC-A	DATA RELIABILITY - 7 TRACK		X						

TITLE	LIBKIT	ASSY. NO.	SIZE CODE	NUMBER	REV.	ECO NO
			A SL	1M11-0-26		
SHEET 1 OF 1			DIST.			

This drawing and specifications, herein, are the property of Digital Equipment Corporation and shall not be reproduced or copied or used in whole or in part as the basis for the manufacture or sale of items without written permission.

COPYRIGHT © 1974
DIGITAL EQUIPMENT CORPORATION

- NOTES:**
1. CONNECTIONS ON ITEMS *1 & *2 TO BE SOLDERED AND LOCATED AT MINIMUM PRACTICAL HEIGHT ABOVE BOARD.
 2. ALL CONN BLOCKS TO BE GROUNDED TO GND LUGS AS SHOWN.
 3. USE YELLOW WIRE (ITEM *3) FOR MACHINE WRAPPED & BLUE WIRE (ITEM *4) FOR HAND WRAPPED WIRING.



DETAIL A
4 PLACES
SEE NOTE 2

REVISIONS	CHANGE NO.	REV.
1	TMA11-00002	A
J. Carter 29-APR-74		
H. DRAB 27-FEB-74		
G. Hunt		

UNLESS OTHERWISE SPECIFIED

UNLESS OTHERWISE SPECIFIED

DIMENSION IN INCHES

TOLERANCES

DECIMALS	FRACTIONS	ANGLES
± .005	± 1/64	± 0°30'

FINAL SURFACE QUALITY ✓
REMOVE BURRS AND BREAK SHARP CORNERS

MATERIAL: + +

FINISH: + +

QTY.	DESCRIPTION	PART NO.	ITEM NO.
PARTS LIST			
DRN.	DATE	 digital EQUIPMENT CORPORATION MAYNARD, MASSACHUSETTS	
CHK'D.	DATE		
ENG.	DATE		
PROJ. ENG.	DATE		
PROC.	DATE	WIRED ASSY (TMA11)	
FIRST USED ON	DATE		
SCALE NONE		SIZE CODE	NUMBER
SHEET 1 OF 1		CAD	7010565-0-0
DIST.			REV. A

SIZE CODE NUMBER REV.
 CAD 7010565-0-0 A

DIGITAL EQUIPMENT CORPORATION
MAYNARD, MASSACHUSETTS
PARTS LIST

QUANTITY / VARIATION

MADE BY F. Carberry	CHECKED <i>F. Carberry</i>	SECTION 1
DATE 11/1/74	DATE 11-5-74	
ENG	PROD <i>R. Johnson</i>	ISSUED SECT.
DATE <i>H. Findeem 12.9.73</i>	DATE 12-6-74	1


ITEM NO.	DWG NO. / PART NO.	DESCRIPTION
1	9008428	BUS STRIP
2	9107560-01	22 AWG BUS WIRE
3	9107256-09	#22 TUBING, TEFLON, WHITE
4	9105740-44	30 AWG SOLID KYNAR INS WIRE, YELLOW
5	9105740-66	30 AWG SOLID KYNAR INS WIRE, BLUE
6	A-DC-7406371-0-0	LOGIC FRAME DECAL.
7	D-AD-5404491-0-0	H911 MTG PANEL
8	A-DC 7411881-01	DECAL LOGIC ASSY
9	K-WL-TM11-Ø-21	WIRE LIST
10	A-WT-7010565-Ø	AWT REVISION STATUS
11	3700040-0-0	PACKAGING INSTRUCTIONS
12	9905016-4	COMPRESS-O-CARTON

A/R																					
A/R																					
A/R																					
A/R																					
A/R																					
A/R																					
1																					
1																					
REF																					
REF																					
REF																					
A/R																					

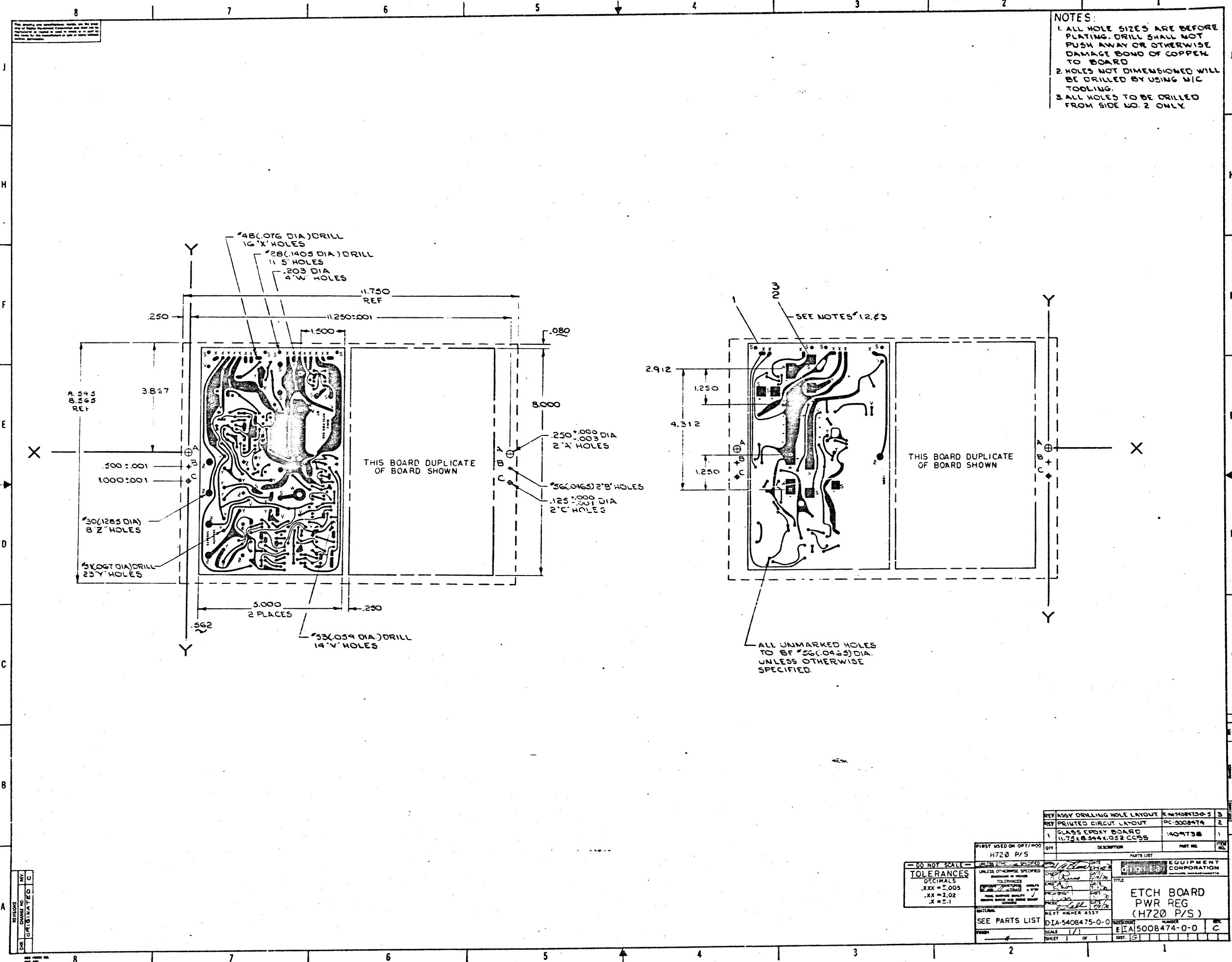
TITLE WIRED ASSY (TM11)	ASSY NO. C-AD-7010565-0-0	SIZE A	CODE PL	NUMBER 7010565-0-0	REV. A	ECO NO. TM11-00002
SHEET 1 OF 1		DIST.				

This drawing and specifications, herein, are the property of Digital Equipment Corporation and shall not be reproduced or copied or used in whole or in part as the basis for the manufacture or sale of items without written permission.

COPYRIGHT © 1974
DIGITAL EQUIPMENT CORPORATION

FIRST USED ON OPTION MODEL	QTY.	DESCRIPTION	PART NO.	ITEM NO.
PDP-11		PARTS LIST		
DRN. F. CARBERRY	DATE 12/9/74	 <p>DIGITAL EQUIPMENT CORPORATION MAYNARD, MASSACHUSETTS</p> <p>TITLE WIRE LIST (TM11)</p>		
CHK'D. <i>F. Carberr</i>	DATE 12/10/74			
ENG. <i>[Signature]</i>	DATE 12-12-74			
PROJ. ENG. <i>H. Friedman</i>	DATE 12.16.74			
PROD. <i>H. Friedman</i>	DATE 12.16.74			
NEXT HIGHER ASSEMBLY				
B-DD-TM11-0		SIZE CODE K WL	NUMBER TM11-0-21	REV.
SCALE				
SHEET 1 OF 1		DIST.		

REVISIONS	REV.
CHANGE NO.	
CHK	



NOTES:
 1. ALL HOLE SIZES ARE BEFORE PLATING. DRILL SHALL NOT PUSH AWAY OR OTHERWISE DAMAGE BOND OF COPPER TO BOARD.
 2. HOLES NOT DIMENSIONED WILL BE DRILLED BY USING MIC TOOLING.
 3. ALL HOLES TO BE DRILLED FROM SIDE NO. 2 ONLY.

REV. 1
 CHANGE NO. 1
 ORIGINATED C

DO NOT SCALE
 TOLERANCES
 DECIMALS
 .XXX = ±.005
 .XX = ±.02
 X = ±.1

FIRST USED ON OPT/NOO
 H720 P/S

REF	ASSY DRILLING HOLE LAYOUT	EIA-5408475-0-5	3
REF	PRINTED CIRCUIT LAYOUT	PC-5008474	2
1	GLASS EPOXY BOARD	11.75 x 8.544 x .052 CCPS	1
		1404738	

UNLESS OTHERWISE SPECIFIED	DATE	BY	CHKD	APP'D
DESIGN	11/20
ENGR
DRFT
CHKD
APP'D

SEE PARTS LIST

SCALE 1/1

SHEET 1 OF 1

DATE 12/1

ETCH BOARD
 PWR REG
 (H720 P/S)

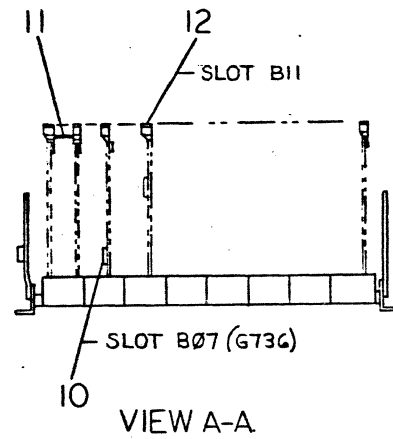
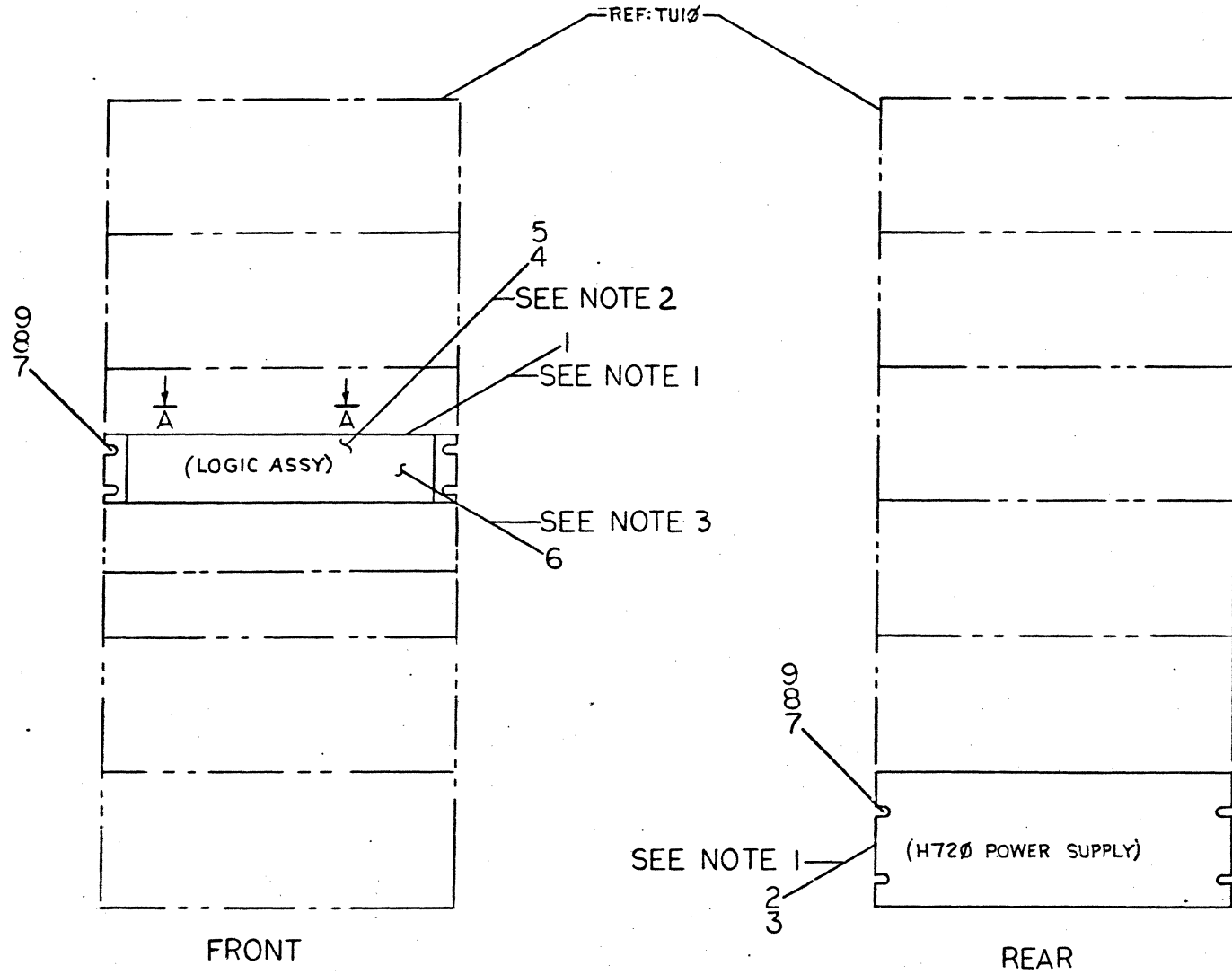
EIA 5008474-0-0

THE DRAWING AND SPECIFICATIONS HEREIN ARE THE PROPERTY OF DIGITAL EQUIPMENT CORPORATION AND SHALL NOT BE REPRODUCED OR COPIED OR USED IN WHOLE OR IN PART AS THE BASIS FOR THE MANUFACTURE OR SALE OF ITEMS WITHOUT WRITTEN PERMISSION. COPYRIGHT © 1974, DIGITAL EQUIPMENT CORPORATION

DO NOT SCALE DRAWING

LEGEND	
NUMBER	VARIATION
TMA11-A	115 V
TMA11-B	230 V

- NOTES:
1. ARRANGEMENT IN CAB TO BE DETERMINED BY SYSTEM REQUIREMENTS.
 2. FOR LOCATION OF CABLES (ITEMS #4 & 5) REFER TO DWG # D-MU-TMA11-0-2.
 3. FOR MAX CONFIGURATION AND WIRING OF POWER HARNESS (ITEM 8) REFER TO DWG # D-AR-TMA11-0-22.



REV.	CHANGE NO.

FIRST USED ON OPTION/MODEL				QTY.	DESCRIPTION	PART NO.	ITEM NO.
PDP-11							
DIMENSIONAL TOLERANCE				PARTS LIST			
DIMENSIONS ARE INCHES UNLESS OTHERWISE SPECIFIED				DRN.	DATE		
MILLIMETERS				CHK'D	DATE		
THIRD ANGLE PROJECTION				ENG.	DATE		
REMOVE BURRS AND BREAK SHARP CORNERS SURFACE QUALITY				PROJ. ENG.	DATE		
FINISH				PROG.	DATE	TITLE	
B-DD-TMA11-0				NEXT HIGHER ASSY.		MAG TAPE CONTROL	
SCALE				SIZE CODE		NUMBER	
SHEET 1 OF 1				DUA		TMA11-0-0	
				REV.			

TEST CASE NUMBER
 DUA/TMA11-0-0

DIGITAL EQUIPMENT CORPORATION MAYNARD, MASSACHUSETTS			QUANTITY/VARIATION													
PARTS LIST			TM11-A	TM11-B												
MADE BY	CHECKED	SECTION														
MADE BY F.Carberry	CHECKED F.Carberry	SECTION														
DATE 12/10/74	DATE 12/10/74	ISSUED SECT.														
ENG J. Hunter	PROD H. Finckler 12.16.74	ISSUED SECT.														
DATE 12-12-74	DATE 12.16.74	ISSUED SECT.														
ITEM NO.	DWG NO. / PART NO.	DESCRIPTION														
1	C-IA-7010564-0-0	LOGIC ASSY (TM11)	1	1												
2	D-UA-H72Ø-C-Ø	H72Ø POWER SUPPLY	1	-												
3	D-UA-H72Ø-D-Ø	H72Ø POWER SUPPLY	-	1												
4	D-UA-BC11A-5-Ø	CABLE ASSY (BC11A)	1	1												
5	D-UA-BC11A-8-Ø	CABLE ASSY (BC11A)	1	1												
6	D-IA-7009742-0-0	POWER HARNESS	1	1												
7	9006073-3	SCR PHL HD TRUSS #10-32 x 1/2 SST	8	8												
8	9007786	SPEED NUT	8	8												
9	9007651	WASHER EXT TOOTH #10 HOLE	8	8												
10	C-IA-5408773-0-0	PRIORITY JUMPER LEVEL #5	1	1												
11	C-CS-1209356-0-01	MODULE HOLDER	8	8												
12	D-SC-1209818-0-0	MODULE EXTENDER H85Ø	1	1												
TITLE MAG TAPE CONTROL		ASSY NO. D-UA-TM11-Ø-Ø	SIZE A	CODE PL	NUMBER TM11-Ø-Ø				REV.	ECO NO.						
SHEET 1 OF 1		DIST.														

This drawing and specifications, herein, are the property of Digital Equipment Corporation and shall not be reproduced or copied or used in whole or in part as the basis for the manufacture of items without written permission.

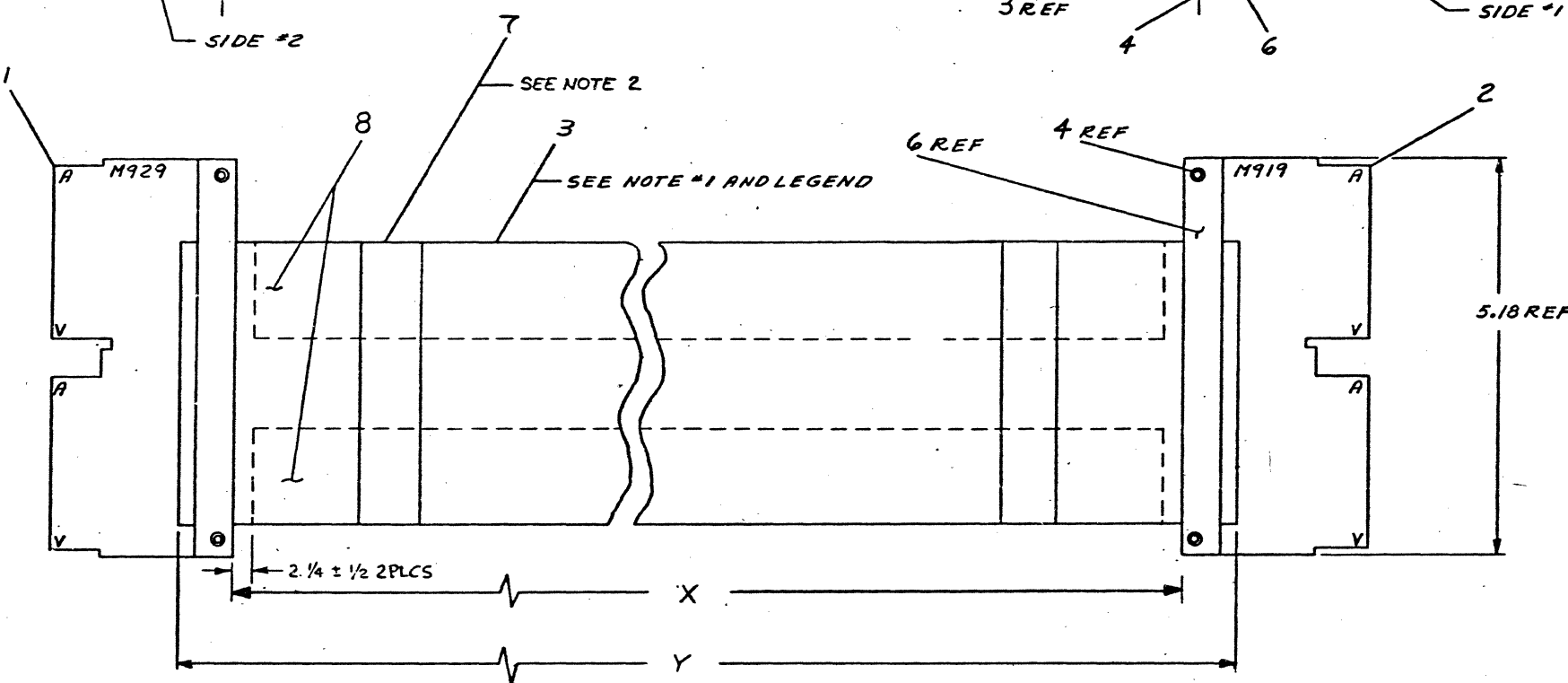
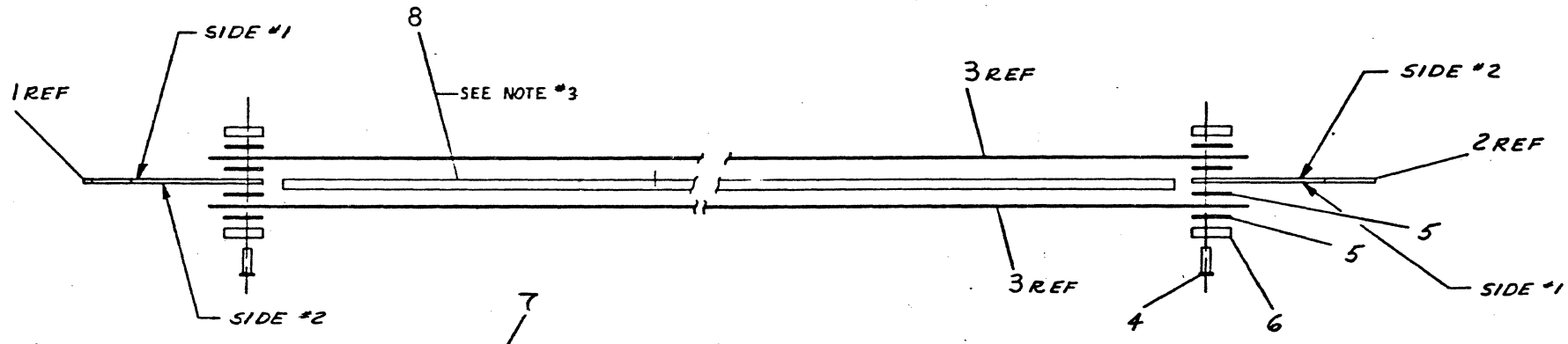
NOTES:

1. VARIATIONS AND LENGTHS SHOWN IN LEGEND ARE STANDARD. OTHER THAN STANDARD VARIATIONS WILL BE SPECIFIED BY ALPHANUMERIC DESIGNATION. FOR LENGTHS OTHER THAN FOOT INCREMENTS FROM ONE (1) FOOT THRU NINE (9) FEET ELEVEN (11) INCHES.
A=1" G=7"
B=2" H=8"
C=3" J=9"
D=4" K=10"
E=5" L=11"
F=6"

EXAMPLE: BC11A - 3D = 3'4".
LENGTHS WILL BE IN FOOT INCREMENTS FROM TEN (10) FEET ON, AND WILL BE SPECIFIED BY THE CORRESPONDING NUMERICAL DESIGNATION.
EXAMPLE: BC11A - 11 = 11 FEET.
THE TOLERANCE ON DIMENSION "X" WILL BE 2% OF THE FOOT INCREMENT.

2. FLEXPRINTS TO BE BOUND TOGETHER BY WRAPPING WITH ELECTRICAL TAPE (ITEM 5) EVERY 18 INCHES.

3. INSTALL 2 PIECES OF FOAM TAPE (ITEM 8) BETWEEN FLEXPRINT CABLES AS SHOWN.



REV.	CHG.	BY	DATE	DESCRIPTION
A				
B				
C				
D				
E				
F				
G				
H				
I				
J				
K				
L				
M				
N				
O				
P				
Q				
R				
S				
T				
U				
V				
W				
X				
Y				
Z				

QTY.	DESCRIPTION	PART NO.	ITEM NO.
1	GRAY FOAM - 3" WIDE	9008991-01	8
1	ELECTRICAL TAPE	9009260	7
4	CLAMP, CABLE	C-SC-120776400	6
4	TAPE #4032 1/4 W X 3 1/16 LG	9007834-01	5
4	EYELET GS-4-11 STIMPSON	9006750	4
2	CABLE "FLEXPRINT"	17C0002-01	3
1	EXT. BUS CONN	A-PL-M919-0-0	2
1	BUS CONN	A-PL-M929-0-0	1

FIRST USED ON OPTION/NO. EL PDP11	DO NOT SCALE DRAWING UNLESS OTHERWISE SPECIFIED DIMENSION IN INCHES TOLERANCES DECIMALS FRACTIONS ANGLES ± .005 ± .005 ± 1/16 ± .015 FINISH SURFACE QUALITY 1 REMOVE DIMENSIONS AND SURFACE FINISH COMPLETES	DATE 11/11/70 DATE 11/11/70 DATE 11/11/70 DATE 11/11/70 DATE 11/11/70	TITLE CABLE ASSY (BCIIA)
MATERIAL + +		NEXT HIGHER ASSY DUA-11/20-00	SIZE CODE DUA-BCIIA-0-0
FINISH + +		SCALE 1/1	NUMBER H
SHEET 1		OF 2	DIST. K

REV. H
DRAWING NUMBER
DUA-BCIIA-0-0

"THIS DRAWING AND SPECIFICATIONS HEREIN ARE THE PROPERTY OF DIGITAL EQUIPMENT CORPORATION AND SHALL NOT BE REPRODUCED OR COPIED OR USED IN WHOLE OR IN PART AS THE BASIS FOR THE MANUFACTURE OR SALE OF ITEMS WITHOUT WRITTEN PERMISSION. COPYRIGHT ©1977 DIGITAL EQUIPMENT CORPORATION"

LEGEND		
NUMBER	DIM X VARIATION	DIM Y (PRE CUT) REF.
BC11A-02	2'0"±0.5"	2'1.5"
BC11A-03	3'0"±1.0"	3'1.5"
BC11A-04	4'0"±1.0"	4'1.5"
BC11A-05	5'0"±1.0"	5'1.5"
BC11A-06	6'0"±1.0"	6'1.5"
BC11A-07	7'0"±2.0"	7'1.5"
BC11A-08	8'0"±2.0"	8'1.5"
BC11A-09	9'0"±2.0"	9'1.5"
BC11A-10	10'0"±2.0"	10'1.5"
BC11A-11	11'0"±3.0"	11'1.5"
BC11A-12	12'0"±3.0"	12'1.5"
BC11A-13	13'0"±3.0"	13'1.5"
BC11A-14	14'0"±3.0"	14'1.5"
BC11A-15	15'0"±4.0"	15'1.5"
BC11A-16	16'0"±4.0"	16'1.5"
BC11A-17	17'0"±4.0"	17'1.5"
BC11A-18	18'0"±4.0"	18'1.5"
BC11A-19	19'0"±5.0"	19'1.5"
BC11A-20	20'0"±5.0"	20'1.5"
BC11A-21	21'0"±5.0"	21'1.5"
BC11A-22	22'0"±5.0"	22'1.5"
BC11A-23	23'0"±6.0"	23'1.5"
BC11A-24	24'0"±6.0"	24'1.5"
BC11A-25	25'0"±6.0"	25'1.5"
BC11A-0F	0'6"±0.5"	0'7.5"
BC11A-0F	8'6"±2.0"	8'7.5"

D

D

C

C

B

B

A

A

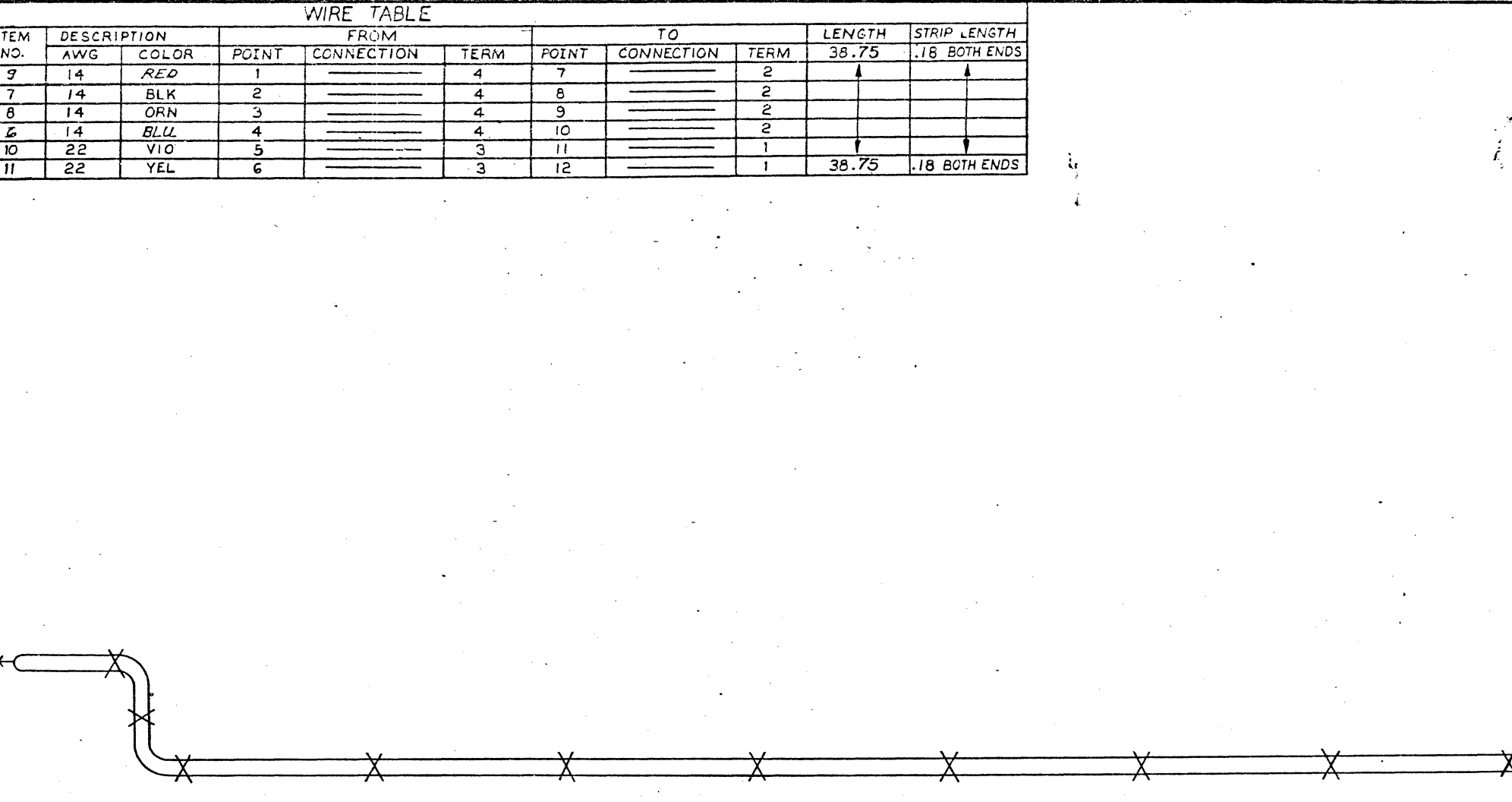
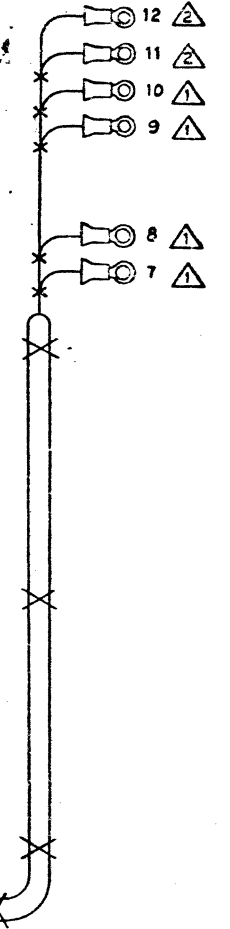
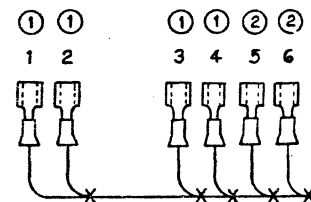
H
 H
 BC11A-0-0
 DUA
 DUA

REVISIONS		
CHK	CHANGE NO.	REV.

TITLE	CABLE ASSY (BC11A)	SIZE CODE	DUA	NUMBER	BC11A-0-0	REV.	H
SCALE	---	SHEET	2	OF	2	DIST.	

WIRE TABLE										
ITEM NO.	DESCRIPTION		FROM			TO			LENGTH	STRIP LENGTH
	AWG	COLOR	POINT	CONNECTION	TERM	POINT	CONNECTION	TERM		
9	14	RED	1		4	7		2	38.75	.18 BOTH ENDS
7	14	BLK	2		4	8		2		
8	14	ORN	3		4	9		2		
6	14	BLU	4		4	10		2		
10	22	VIO	5		3	11		1		
11	22	YEL	6		3	12		1	38.75	.18 BOTH ENDS

THIS DRAWING AND SPECIFICATIONS HEREIN ARE THE PROPERTY OF DIGITAL EQUIPMENT CORPORATION AND SHALL NOT BE REPRODUCED OR COPIED OR USED IN WHOLE OR IN PART AS THE BASIS FOR THE MANUFACTURE OR SALE OF ITEMS WITHOUT WRITTEN PERMISSION. COPYRIGHT © DIGITAL EQUIPMENT CORPORATION



DO NOT REDUCE SCALE 6 IN 12 IN

A/R WIRE #22 STRD IPVC INS YEL	9107350-44	11
A/R WIRE #22 STRD IPVC INS VIO	9107350-77	10
A/R WIRE #14 STRD IPVC INS RED	9107370-22	9
A/R WIRE #14 STRD IPVC INS ORN	9107370-33	8
A/R WIRE #14 STRD IPVC INS BLK	9107370-00	7
A/R WIRE #14 STRD IPVC INS BLU	9107370-66	6
X 23 TIE WRAP PANDUIT SST 1M	9007031	5
① 4 SOLDERLESS CONN	9007969	4
② 2 SOLDERLESS CONN	9007970	3
△ 4 SOLDERLESS CONN	9007927	2
△ 2 SOLDERLESS CONN	9007929	1

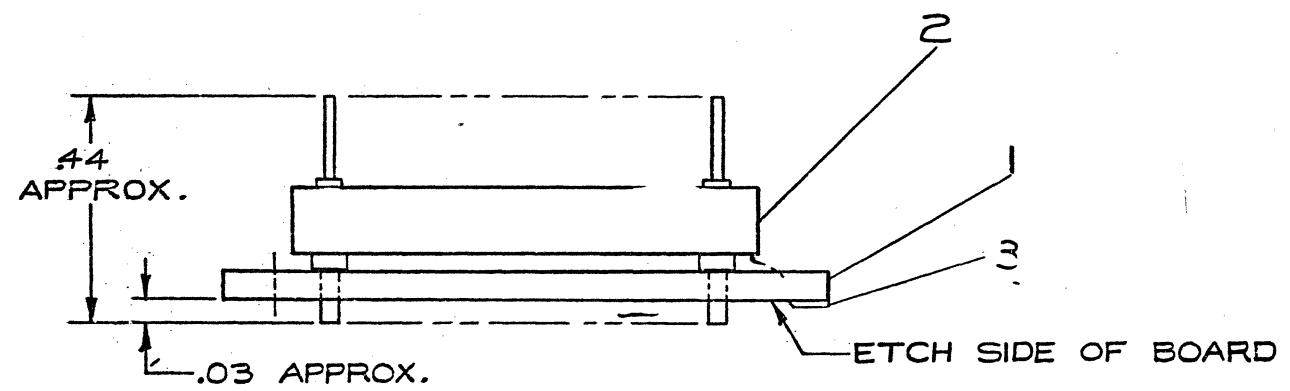
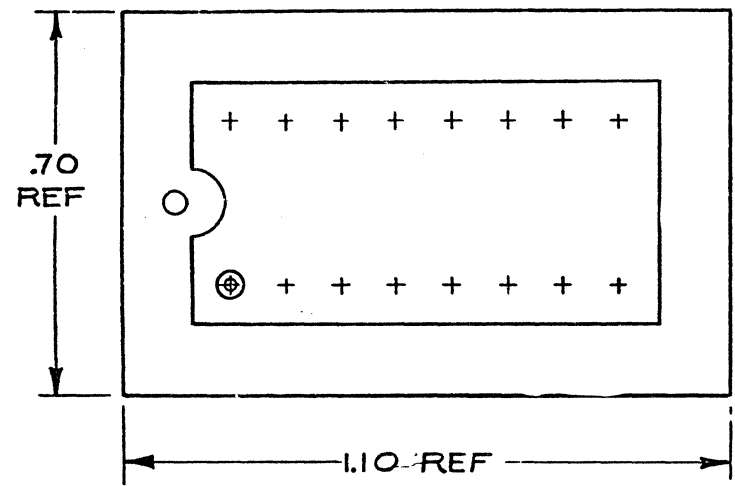
DESCRIPTION		DWG. PART NO.	ITEM NO.
UNLESS OTHERWISE SPECIFIED DIMENSIONS ARE IN INCHES			
ANGLES 90° ±30'	CLASS OF ACCURACY	NOMINAL DIMENSION RANGE INCHES	
SURFACE QUALITY IN	CHECK ONE	OVER 9 TO 0.2	OVER 12 TO 4.0
QUANTITY & VARIATION	MEDIUM	OVER 4.0 TO 12.0	OVER 40.0 TO 80.0
THIRD ANGLE PROJECTION	PREFERRED	0.004	0.008
REMOVE BURRS AND BREAK SHARP CORNERS		0.012	0.016
DO NOT SCALE DWG		0.025	0.04
MATERIAL SEE PARTS LIST		0.083	0.1
FINISH			

DRN. R. F. BEASLEY	1-23-74	FIRST USED ON	digital
CHK'D P. REED	2-28-74	TITLE	HARNESS TMI POWER
ENG. R. LEBLANC	3-6-74	SCALE	D IA 7009742-0-0
PROJ. ENG. L. GONDON	3-6-74	REV.	B
PROD. L. BAPTISTE	3-13-74	SHEET	1 OF 1

REV.	CHANGE NO.	DATE	BY
1	7009742-00001	A	
2	7009742-00002	B	

This drawing and specifications, herein, are the property of Digital Equipment Corporation and shall not be reproduced or copied or used in whole or in part as the basis for the manufacture or sale of items without written permission.

NOTES:
1. CUT OFF EXCESS LENGTH OF PRONGS BEFORE SOLDERING.



TOLERANCE DECIMALS
XXX = ±.005
XX = ±.02
X = ±.1

FIRST USED ON OPTION/MODEL
M780

UNLESS OTHERWISE SPECIFIED
DIMENSION IN INCHES
TOLERANCES
ANGLES ± 0°30'
FINAL SURFACE QUALITY
REMOVE BURRS AND BREAK SHARP CORNERS

MATERIAL
SEE PARTS LIST

QTY.	DESCRIPTION	PART NO.	ITEM NO.
	REF CIRCUIT SCHEMATIC	3-CS-5408778-0-1	
	A/R TAPE VINYL 3M TRANSPARENT .75 X 1.12	9008269	3
1	PLUG, 16 PRONG, AUGAT	1209337	2
1	ETCH BOARD	D-1A-5C08777-0-1	1

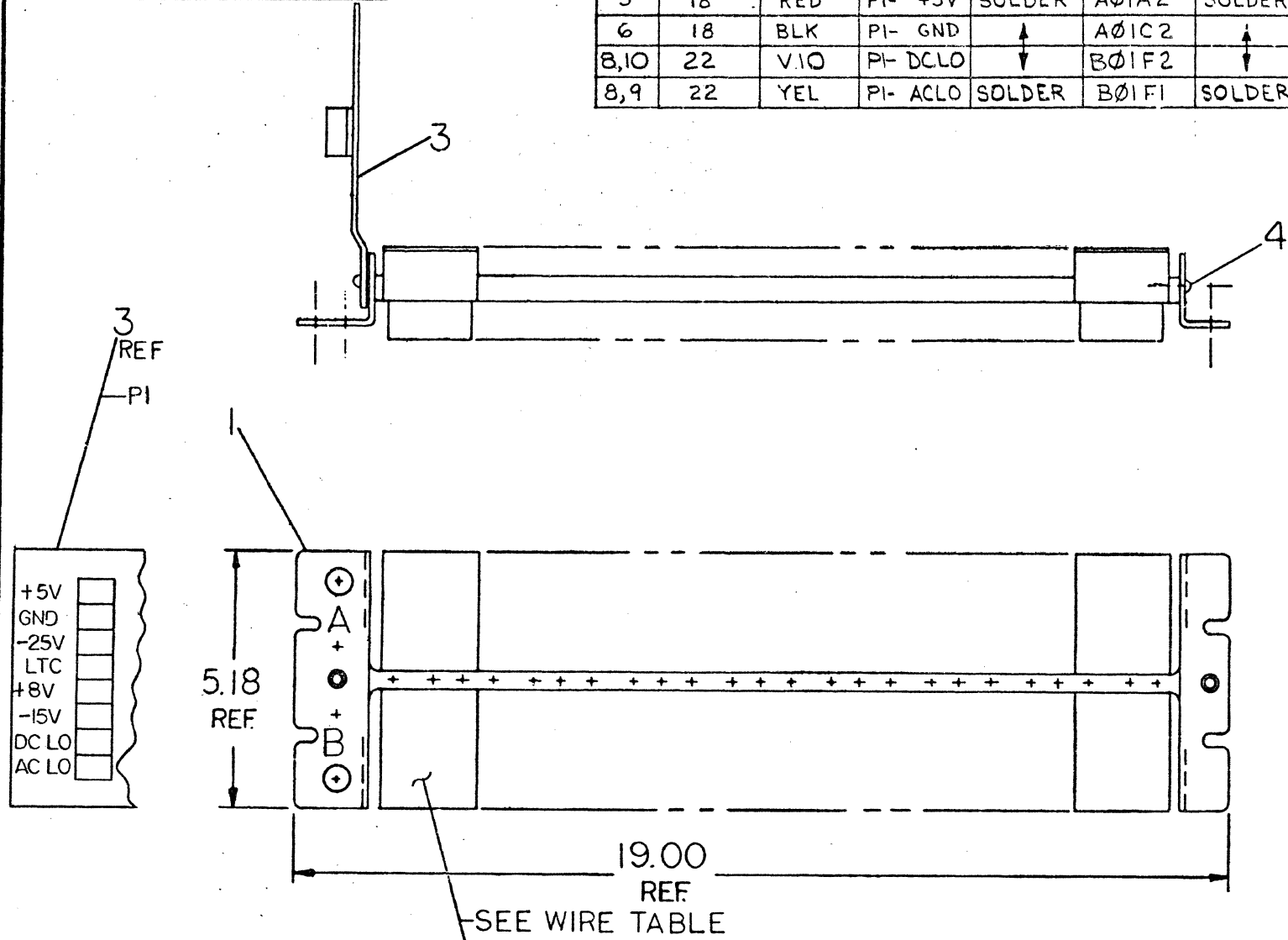
DATE 5-22-70	DATE 5-22-70	DATE 5-22-70	DATE 5-22-70	DATE 5-22-70	DATE 5-22-70	DATE 5-22-70	DATE 5-22-70
EQUIPMENT CORPORATION MAYNARD, MASSACHUSETTS							
TITLE PRIORITY JUMPER LEVEL #5							
PARTS LIST				MATERIAL			
M780				SEE PARTS LIST			
SCALE 3/1				NEXT HIGHER ASSY			
SHEET 1 OF 1				MATERIAL			
CST. G				NUMBER CITA5408778-0-0			
				REV.			

REV.	
CHANGE NO.	
CHK	

REV. CITA5408778-0-0

"THIS DRAWING AND SPECIFICATIONS, HEREIN, ARE THE PROPERTY OF DIGITAL EQUIPMENT CORPORATION AND SHALL NOT BE REPRODUCED OR COPIED OR USED IN WHOLE OR IN PART AS THE BASIS FOR THE MANUFACTURE OR SALE OF ITEMS WITHOUT WRITTEN PERMISSION. COPYRIGHT © 1974, DIGITAL EQUIPMENT CORPORATION"

WIRE TABLE							
ITEM NO	DESCRIPTION		FROM		TO		REMARKS
	AWG	COLOR	CONNECTION	WITH	CONNECTION	WITH	
5	18	RED	PI- +5V	SOLDER	AØ1A2	SOLDER	
6	18	BLK	PI- GND	↑	AØ1C2	↑	
8,10	22	VIO	PI- DCLO	↓	BØ1F2	↓	
8,9	22	YEL	PI- ACLO	SOLDER	BØ1F1	SOLDER	



EXTERNAL COMPONENT TABLE			
ITEM	DESCRIPTION	FROM	TO
7	CAPACITOR	AØ9B1	A11C2

REV.	DESCRIPTION	PART NO.	ITEM NO.
A/R	*22 TEF THIN WALL TUBING VIO	9107256-77	10
A/R	*22 TEF THIN WALL TUBING YEL	9107256-44	9
A/R	*22 AWG BUS WIRE	9107560-01	8
I	CAP, TERMINATOR, 1200P, 5%, 100V	7409005-0-0	7
A/R	*18 AWG SOLID TEFLON INS BLK	9107696-00	6
A/R	*18 AWG SOLID TEFLON INS RED	9107696-22	5
4	POP RIVET *AD44BS USMS	9006507-0-0	4
I	PANEL, POWER END ASSY	C-IA-5409132-0-0	3
REF	(AWT) WIRE REVISION	A-WT-7007261-0	2
I	WIRED ASSY (TMA11)	C-AD-7010565-0-0	1

FIRST USED ON OPTION/MODEL		QTY.	DESCRIPTION	PART NO.	ITEM NO.
TMA11					

PARTS LIST			
DRN. <i>Brene</i>	DATE 10-31-74	 digital EQUIPMENT CORPORATION <small>MAYNARD, MASSACHUSETTS</small>	TITLE LOGIC ASSY (TMA11)
CHK'D <i>F. Carberry</i>	DATE 10-31-74		
ENG. <i>J. Neale</i>	DATE 12-6-74		
PRJ. ENG. <i>H. Friedman</i>	DATE 12-6-74		
PROD. <i>[Signature]</i>	DATE 12-6-74		
NEXT HIGHER ASSY.		D-UA-TMA11-Ø-Ø	
SCALE		SIZE CODE	NUMBER
SHEET 1 OF 1		C IA	7010564-0-0


REV.	CHANGE NO.	CHK

This drawing and specifications, herein, are the property of Digital Equipment Corporation and shall not be reproduced or copied or used in whole or in part as the basis for the manufacture or sale of items without written permission.

DRAWING NUMBER	INIT REL		AUTOMATIC WIRE TESTER (AWT) REVISION STATUS																REV.				
	T	∅	*																				A
K-WL-TM11-∅-21	*	*	*																				
C-AD-7010565-0-0	*	A																					
A-PL-7010565-0-0	*	A																					

REV. A
NUMBER 7010565-0
SIZE CODE WT A

REVISIONS	CHANGE NO.	REV.
	TMA11-00002	A
CHK	S.H.	

DRN F. Carberry	DATE 11-1-74	 EQUIPMENT CORPORATION MAYNARD, MASSACHUSETTS
CHK'D F. Carberry	DATE 11-5-74	
ENG. S. Noto	DATE 12-6-74	
PROJ. ENG. H. F. Anderson	DATE 12-1-74	
PROD. C. Quinn	DATE 12-6-74	TITLE TM11
FIRST USED ON TM11	AWT REVISION STATUS	
SCALE #	SIZE CODE A WT	NUMBER 7010565-0
SHEET 1 OF 1	DIST.	REV. A

DRA 123
DEC 16-(325)-1097-N174

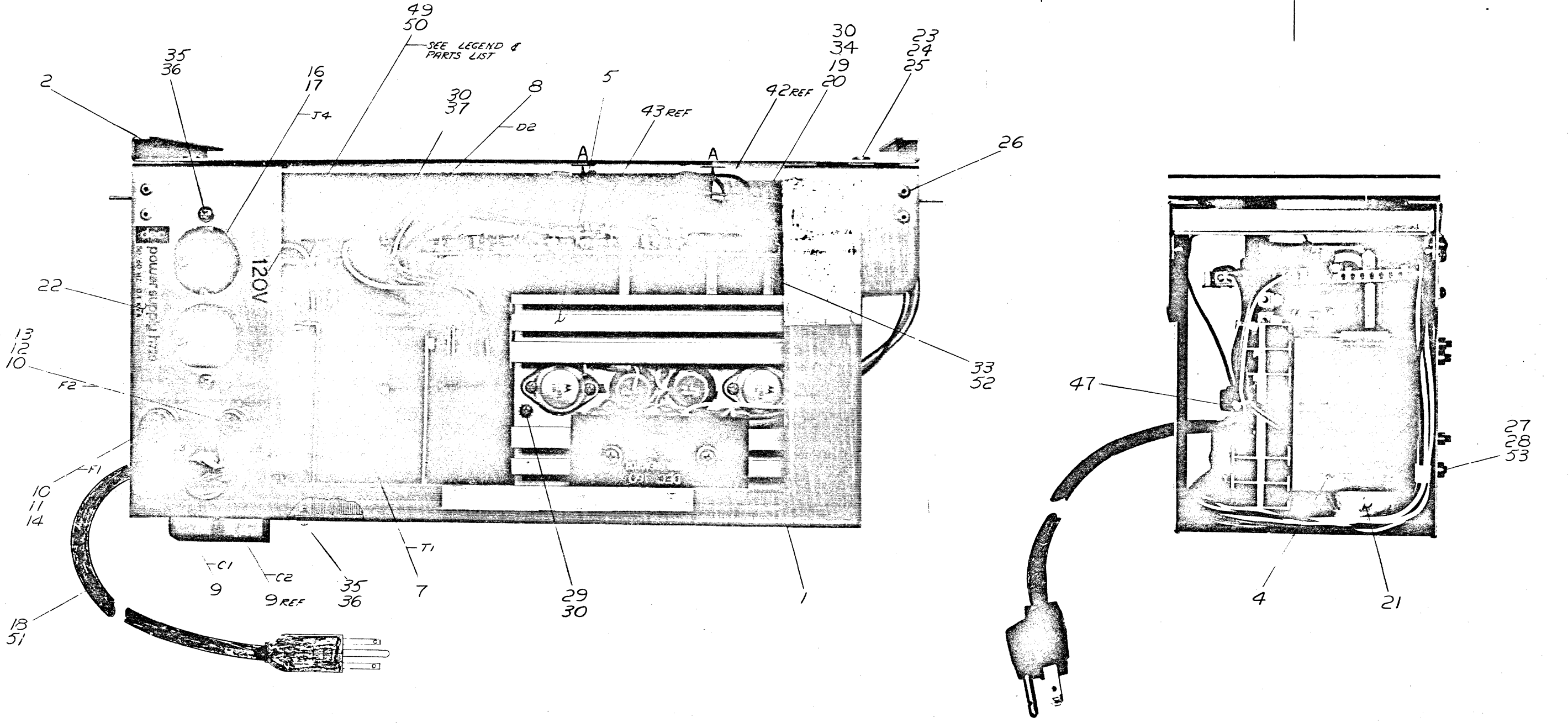
This drawing and specifications, herein, are the property of Digital Equipment Corporation and shall not be reproduced or copied or used in whole or in part as the basis for the manufacture or sale of items without written permission.

LEGEND

PART NUMBER	VARIATION
H720-A	120V 50/60HZ SHOWN
H720-B	240V 50/60 HZ
H720-C	120V SEE SHT
H720-D	240V 4 OF 4

NOTES

1 FOR CIRCUIT SCHEMATIC REFER TO DWG D-CS-H720-0-1



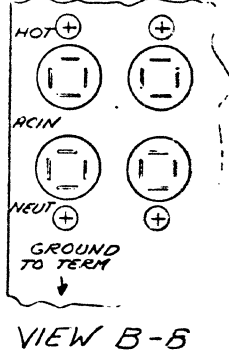
REV	CHG	CHANCE NO.	DATE	BY	REASON
1		H720-00005			
2		H720-00006			
3		H720-00007			
4		H720-00008			
5		H720-00009			
6		H720-00010			
7		H720-00011			
8		H720-00012			
9		H720-00013			
10		H720-00014			
11		H720-00015			
12		H720-00016			
13		H720-00017			
14		H720-00018			
15		H720-00019			
16		H720-00020			
17		H720-00021			
18		H720-00022			
19		H720-00023			
20		H720-00024			
21		H720-00025			
22		H720-00026			
23		H720-00027			
24		H720-00028			
25		H720-00029			
26		H720-00030			
27		H720-00031			
28		H720-00032			
29		H720-00033			
30		H720-00034			
31		H720-00035			
32		H720-00036			
33		H720-00037			
34		H720-00038			
35		H720-00039			
36		H720-00040			
37		H720-00041			
38		H720-00042			
39		H720-00043			
40		H720-00044			
41		H720-00045			
42		H720-00046			
43		H720-00047			
44		H720-00048			
45		H720-00049			
46		H720-00050			
47		H720-00051			
48		H720-00052			
49		H720-00053			
50		H720-00054			
51		H720-00055			
52		H720-00056			
53		H720-00057			

FIRST USED ON OPTION/MODEL
PDP 11/20

DO NOT SCALE DRAWING
UNLESS OTHERWISE SPECIFIED DIMENSION IN INCHES
TOLERANCES
DECIMALS FRACTIONS ANGLES
±.005 ±.1/64 ±.030°
FINAL SURFACE QUALITY
REMOVE BURRS AND BREAK SHARP CORNERS
MATERIAL
FINISH

QTY.	DESCRIPTION	PART NO.	ITEM NO.
PARTS LIST			
DRN	MARCOTTE	DATE	1-28-70
CHK'D	ROSS	DATE	2-3-70
ENG.	BLASI	DATE	1-14-70
PROJ. ENG.	CADY	DATE	2-14-70
PROD.	MARONALD	DATE	1-28-70
NEXT HIGHER ASSY			
D-UR 11/20-0-0			
SCALE	SHEET / OF 4		
TITLE		SIZE CODE	NUMBER
H720 POWER SUPPLY ASSEMBLY		DUA	H720-0-0
REV.		K	
DIST.			

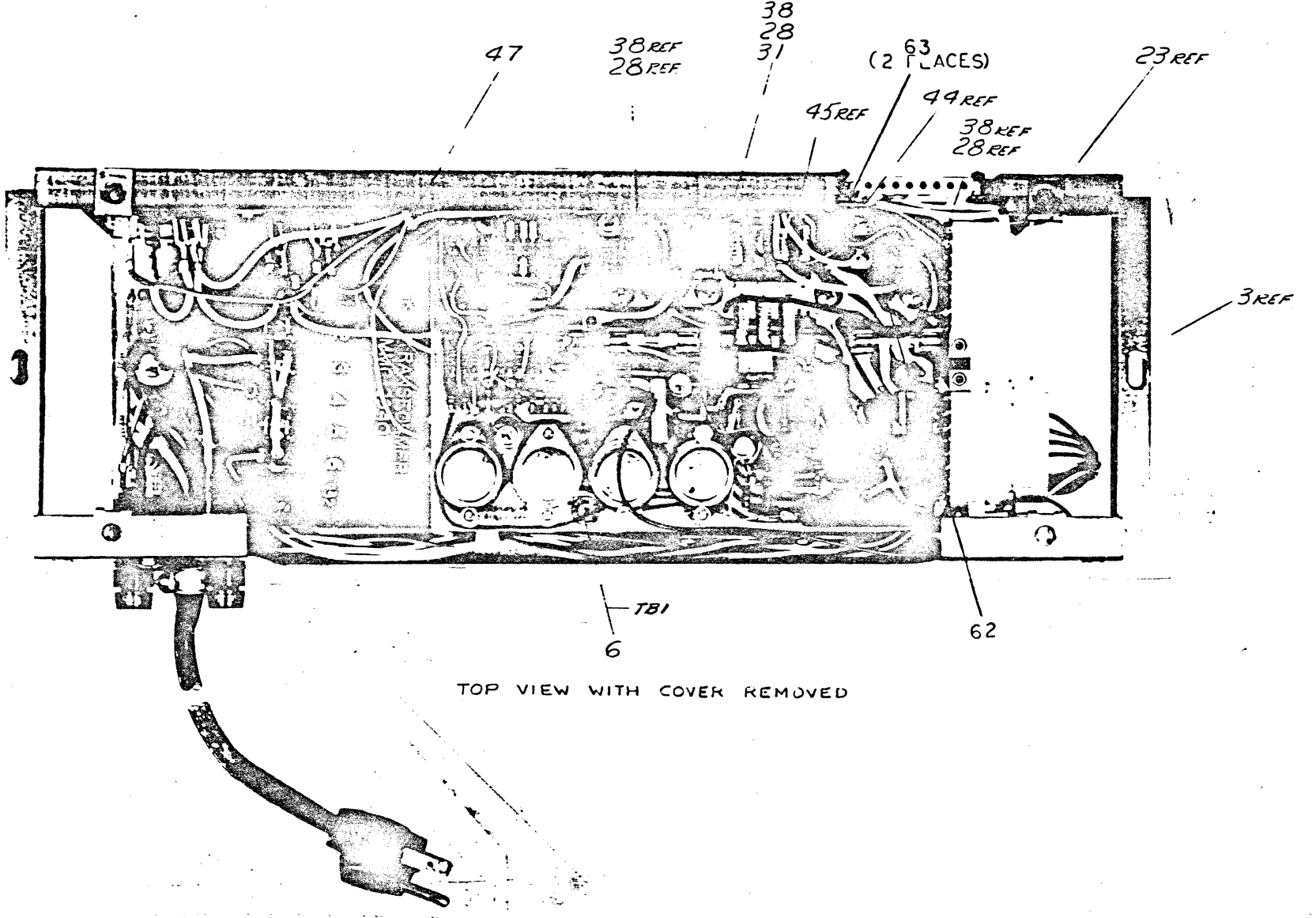
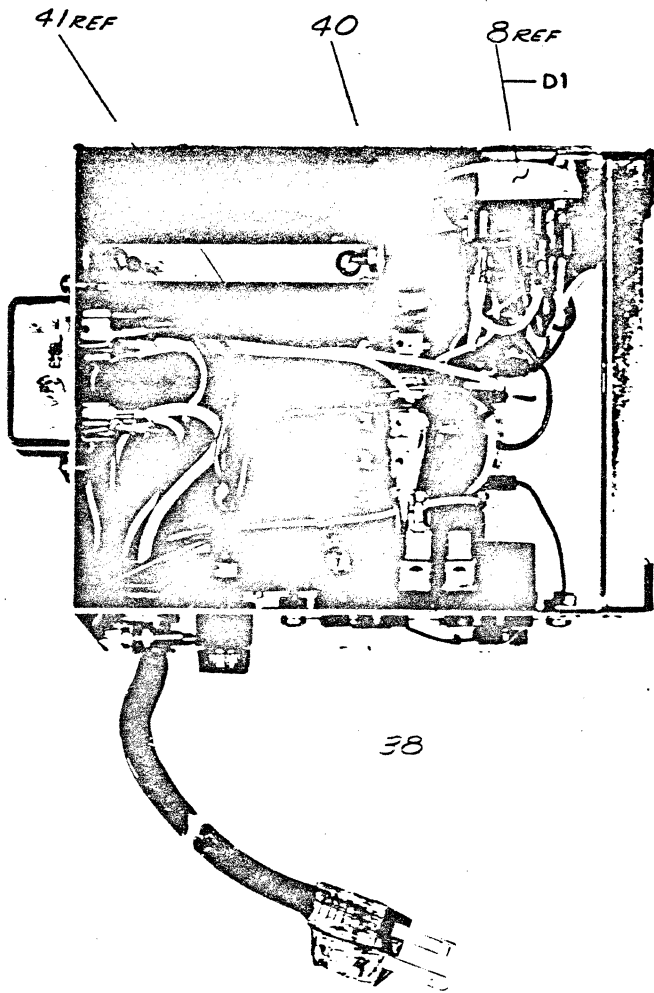
This drawing and specifications, herein, are the property of Digital Equipment Corporation and shall not be reproduced or copied or used in whole or in part as the basis for the manufacture or sale of items without written permission.



CAUTION
 CHECK TRANSFORMER
 TAPS BEFORE USING

INPUT VOLTAGE	JUMPER	LINE
120 10%	3-6, 1-4	3, 4
248 10%	2-5	3, 4
225 10%	2-6	3, 4
233 10%	1-5	3, 4
240 10%	1-6	3, 4

VIEW A-A



TOP VIEW WITH COVER REMOVED

REV.	CHANGE NO.

FIRST USED ON OPTION/MODEL
 PDP 11/20

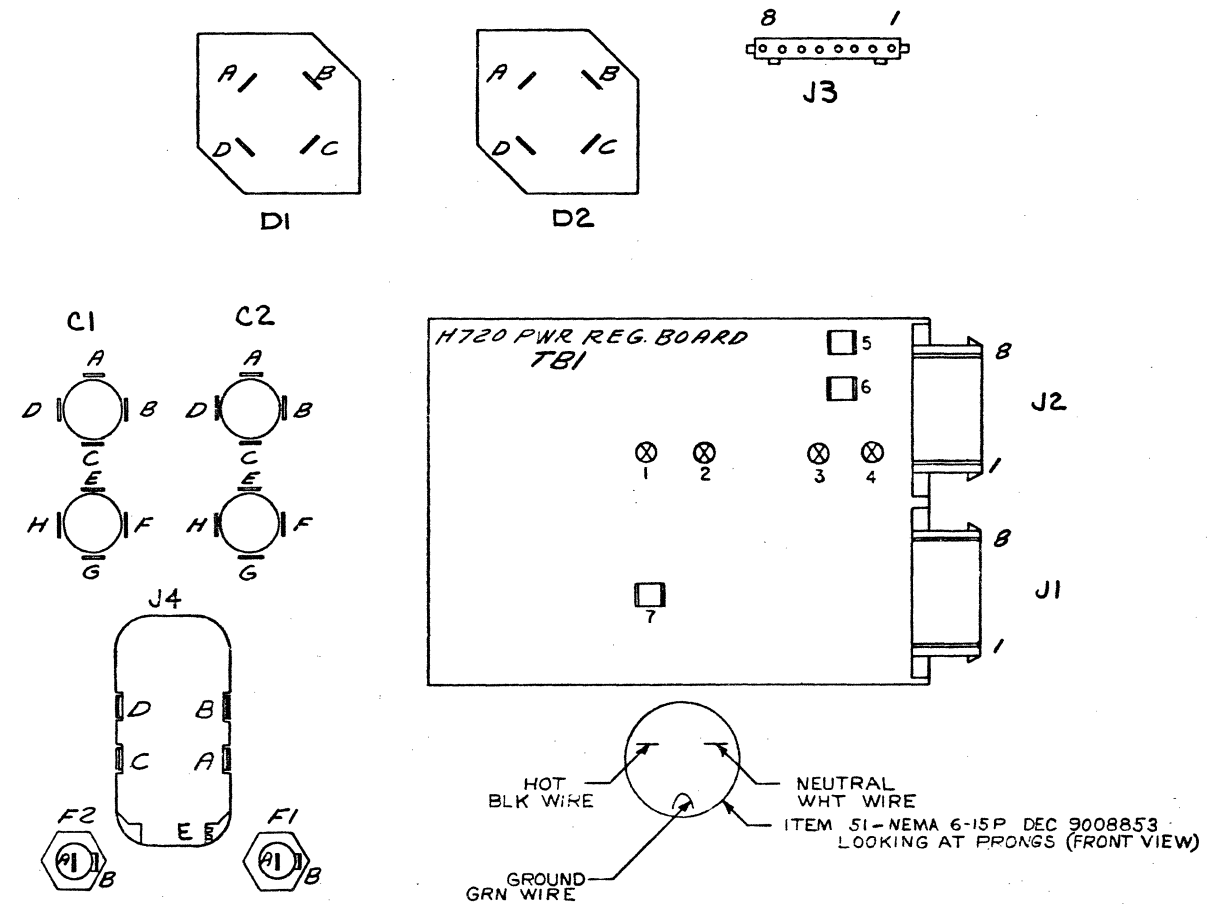
DO NOT SCALE DRAWING	DRN: MERCOTTE	DATE: 2-8-70
UNLESS OTHERWISE SPECIFIED	CHK'D: BLISS	DATE: 2-3-70
TOLERANCES	ENG: BLISS	DATE: 2-4-70
DIMENSION IN INCHES	PROJ. ENG: CLETT	DATE: 2-2-70
DECIMALS FRACTIONS ANGLES	PROD: M. DONALD	DATE: 2-4-70
± .008 ± 1/64 ± 0°30'	MATERIAL:	
FINAL SURFACE QUALITY	FINISH:	
REMOVE BURRS AND BREAK SHARP CORNERS		

QTY.	DESCRIPTION	PART NO.	ITEM NO.
PARTS LIST			
DIGITAL EQUIPMENT CORPORATION MAYNARD, MASSACHUSETTS			
TITLE H720 POWER SUPPLY ASSEMBLY			
SCALE		SIZE CODE	NUMBER
SHEET 2 OF 4		DUA H720 0-0	REV. K

This drawing and specifications, herein, are the property of Digital Equipment Corporation and shall not be reproduced or copied or used in whole or in part as the basis for the manufacture of a/c of items without written permission.

WIRE TABLE						WIRE TABLE						
ITEM NO.	DESCRIPTION	FROM	TO	CONNECTION WITH	CONNECTION WITH	ITEM NO.	DESCRIPTION	FROM	TO	CONNECTION WITH	CONNECTION WITH	
5	22	BRN	---	---	TBI-7	42	14	WHT	T1-3	ITEM 40	T1-6	
5	---	---	---	---	J1	42	14	WHT	T1-3	ITEM 40	C2-B	
18	14	BLK	---	---	C1-A	ITEM 40	42	14	WHT	T1-11	ITEM 40	D2-D
18	14	WHT	---	---	C1-E	ITEM 40	42	14	WHT	C2-C	ITEM 40	J4-A
18	14	GRN	---	---	J4-E	ITEM 38	42	14	WHT	C2-D	ITEM 40	J3-B
*41	14	RED	T1-1	ITEM 40/48	T1-4	ITEM 40	42	14	WHT	C1-F	ITEM 40	J3-2
41	14	RED	T1-7	ITEM 40	D2-B	ITEM 39	42	14	WHT	D1-B	ITEM 39	TBI-4
41	14	RED	C2-E	ITEM 40	J3-7	ITEM 20	42	14	WHT	D1-B	ITEM 40	D1-D
41	14	RED	C2-F	ITEM 40	F2-A	SOLDER	42	14	WHT	D1-C	ITEM 40	D2-D
41	14	RED	C2-H	ITEM 40	J4-C	ITEM 40	43	14	BLK	T1-9	ITEM 40	TBI-2
41	14	RED	C1-B	ITEM 40	F1-A	SOLDER	45	18	WHT	T1-10	ITEM 40	TBI-6
41	14	RED	F1-B	SOLDER	J3-1	ITEM 20	46	18TWP	WHT	T1-6	ITEM 40	J3-6
41	14	RED	T1-A	ITEM 40	F2-B	SOLDER	46	18TWP	BLK	F2-B	SOLDER	J3-5
41	14	RED	D1-A	ITEM 40	D2-B	ITEM 40	46	18TWP	WHT	C2-A	ITEM 40	J3-4
41	14	RED	D2-A	ITEM 39	D2-C	ITEM 40	46	18TWP	BLK	T1-1	ITEM 40	J3-3
41	14	RED	D2-A	ITEM 40	TBI-1	ITEM 40	44	18	RED	T1-8	ITEM 40	TBI-5
63	CAP.	---	---	---	---	---	63	CAP.	TBI-3	ITEM 63	GND	ITEM 63

NOTES:
 1. WIRING IN CHART IS FOR H720-A P/S TO CONVERT TO H720-B P/S. DELETE WIRING FROM T1-3 TO T1-6 & T1-1 TO T1-4, SHOWN BY ASTERISK (*), ADD WIRE FROM T1-1 TO T1-6.
 2. ITEM 51 SHOWN FOR PROPER POWER WIRING OF 240VOLT PLUG



REV.	CHANGE NO.

FIRST USED ON OPTION/MODEL
PDP11/20

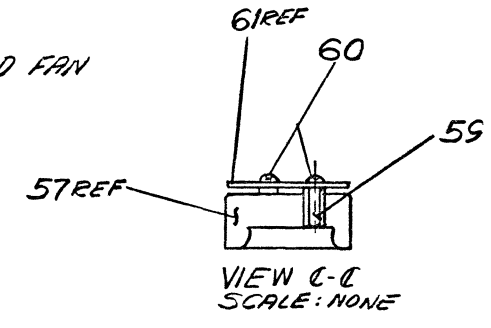
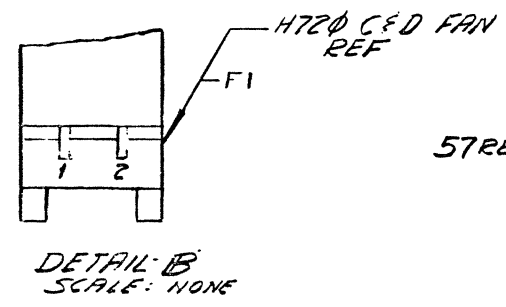
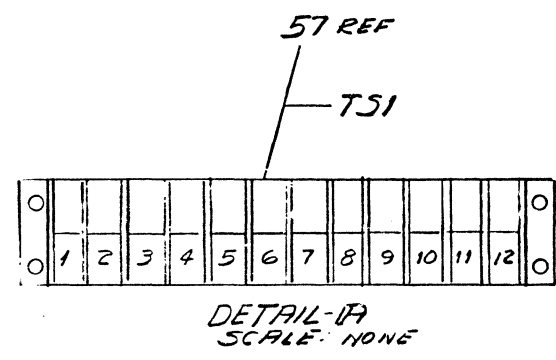
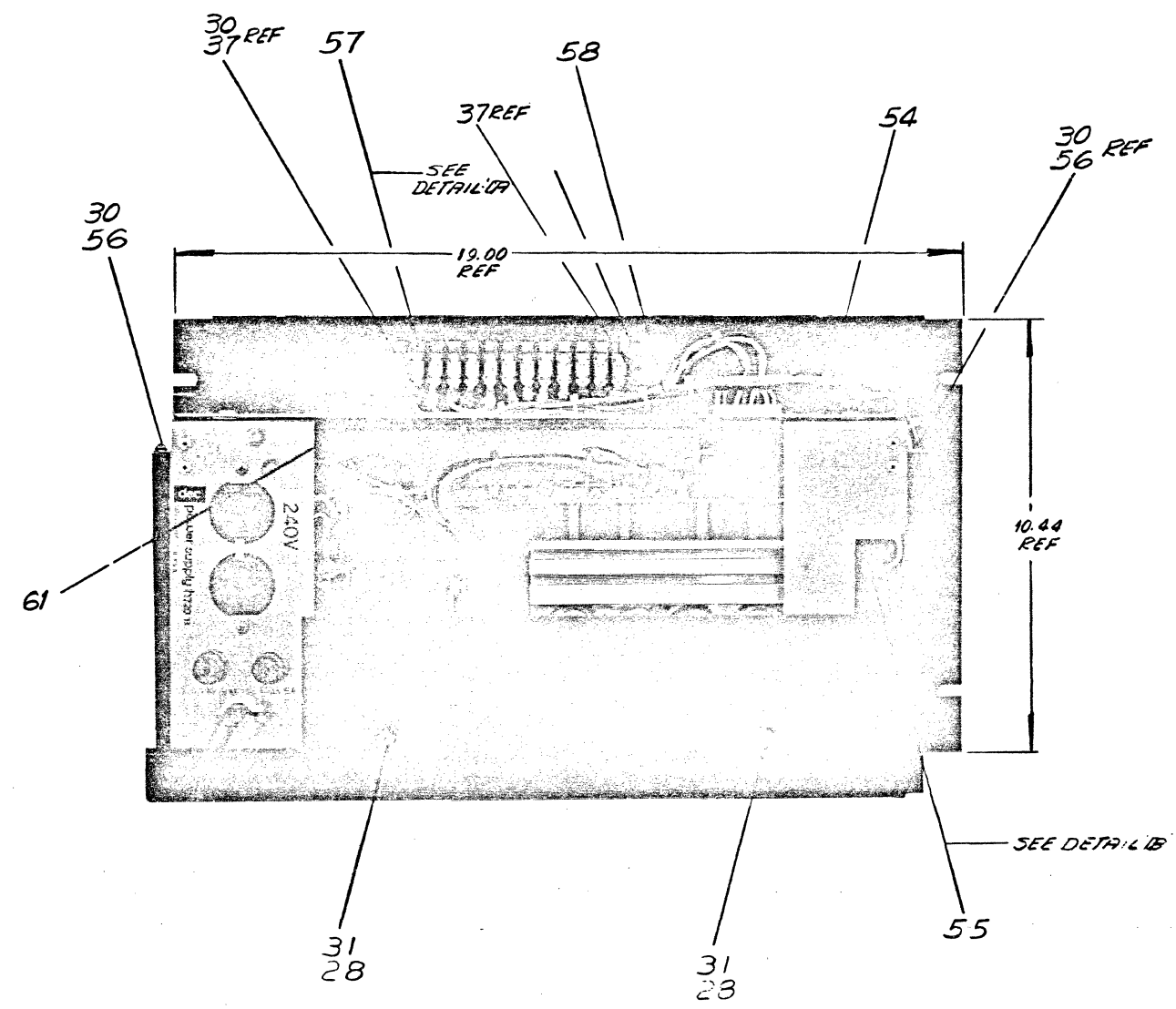
DO NOT SCALE DRAWING	
UNLESS OTHERWISE SPECIFIED	
DIMENSION IN INCHES	
TOLERANCES	
DECIMALS FRACTIONS ANGLES	
±.005 ±.0005 ±.030	
FINAL SURFACE QUALITY	
REMOVE BURRS AND BREAK SHARP CORNERS	
MATERIAL	
FINISH	

QTY.	DESCRIPTION	PART NO.	ITEM NO.
PARTS LIST			
EQUIPMENT CORPORATION MAYHARD, MASSACHUSETTS			
TITLE H720 POWER SUPPLY ASSEMBLY			
NEXT HIGHER ASSY D-UA-11/20-0-0		SIZE CODE DUAH720-0-0	NUMBER
SCALE 		SHEET 3 OF 4	REV.

This drawing and specifications herein are the property of Digital Equipment Corporation and shall not be reproduced or copied or used in whole or in part as the basis for the manufacture or sale of items without written permission.

WIRE TABLE					
ITEM NO.	DESCRIPTION	FROM HARNESS	TO P.S.	REMARKS	
	AWG	COLOR	POINT NO.	LOCATION	
58	14	WHT	1	TS1-1	
	14	RED	2	TS1-2	
	14	WHT	3	TS1-3	
	14	RED	4	TS1-4	
	14	WHT	5	TS1-3	
	14	RED	6	TS1-4	
58	22	YEL	7	TS1-5	

WIRE TABLE					
ITEM NO.	DESCRIPTION	FROM HARNESS	TO P.S.	REMARKS	
	AWG	COLOR	POINT NO.	LOCATION	
58	22	VIO	8	TS1-6	
	14	BLU	9	TS1-7	
	22	ORN	10	TS1-8	
	22	BRN	11	TS1-9	
	22	GRN	12	TS1-10	
	14	BLK	13	TS1-11	
58	14	RED	14	TS1-12	
58	14	RED	15	F1-2	SOLDER-55
58	14	WHT	16	F1-1	SOLDER-55



REV.	CHANGE NO.

FIRST USED ON OPTION / MODEL
PDP 11/20

DO NOT SCALE DRAWING	DRN. <i>[Signature]</i> DATE 10-1-70
UNLESS OTHERWISE SPECIFIED DIMENSION IN INCHES	CHK. <i>[Signature]</i> DATE 10-13-70
TOLERANCES	ENG. <i>[Signature]</i> DATE 10/15/70
DECIMALS FRACTIONS ANGLES	PROJ. ENG. <i>[Signature]</i> DATE 10/15/70
± .005 ± 1/64 ± 0°30'	PROD. <i>[Signature]</i> DATE 10/15/70
FINAL SURFACE QUALITY REMOVE BURRS AND BREAK SHARP CORNERS	
MATERIAL	NEXT HIGHER ASSY
FINISH	D-11A-1120-0-0

QTY.	DESCRIPTION	PART NO.	ITEM NO.
PARTS LIST			
EQUIPMENT CORPORATION WATYARD, MASSACHUSETTS			
TITLE		H720 POWER SUPPLY ASSEMBLY	
SIZE CODE	NUMBER	REV.	
DUA	H720-0-0	K	
SHEET	4 OF 4	DIST.	

REV. K
NUMBER
DUA H720-0-0

DIGITAL EQUIPMENT CORPORATION MAYNARD, MASSACHUSETTS PARTS LIST					QTY/VAR							
MADE BY P. MARCOTTE		CHECKED K. RUSS		SECTION	H720-A	H720-B	H720-C	H720-D				
DATE 1/27/70		DATE 1/29/70		1								
ENG <i>CR Blasi</i>		PROD <i>Thompson</i>		ISSUED SECT.								
DATE 2/4/70		DATE 2/4/70		1								
ITEM NO.	CL	DWG NO./PART NO. BASIC VAR.	DESCRIPTION		H720-A	H720-B	H720-C	H720-D	UNIT COST	UNIT QUANTITY	QUANTITY ISSUED	
45		9107360-99	WIRE #18 AWG STRD TEF INS (WHT)		A/R	A/R	A/R	A/R				
46		9107430-09	WIRE #18 AWG TWP TEF INS (BLK&WHT)		A/R	A/R	A/R	A/R				
47		9007031	TIE WRAP SST-1-B RANDUIT		A/R	A/R	A/R	A/R				
48		9107254	TUBING, SHRINK WHT 3/16 DIA		A/R	A/R	A/R	A/R				
49		A-DC-5308771-0-0	P/S DECALS (120V)		A/R		A/R					
50		A-DC-5308772-0-0	P/S DECALS (240V)			A/R		A/R				
51		9008853	PLUG Male #566 A.H.			1	1					
52		9006314	10-32 x 1/2 LG. Set Scr		4	4	4	4				
53		9007081	CLAMP, 1/4" HOLUB		2	2	2	2				
REF		D-CS-H720-0-1	CIRCUIT SCHEMATIC									
REF		A-SP-H720-0-7	ADJUSTMENT PROCEDURE									
54		D-AD-7007110-0-0	FRAME ASSY				1	1				
55		9107305	TUBING SHRINCABLE 3/16 O.D.				2	2				
56		9006022-1	SCR PHL HD PAN 6-32X 3/8 SST				2	2				
57		9006917	TERMINAL STRIP # 12-541 CINCH JONES				1	1				
58		D-IA-7007115-0-0	WIRE HARNESS H720 C&D				1	1				
59		9006807	SPACER, 1/2 A.F.X 3/4 LG # 6				2	2				
60		9007853-1	SCR, PHL, PAN HD # 6-32X 1-1/8 LG				2	2				
61		B-MD-100156-12	PROTECTION COVER (541 TERMSTRIP)				1	1				
62		10-01610	CAP .01 MFD 100V DISC CERAMIC		1	1	1	1				
63		90-07930	ARKLESS #50360		2	2	2	2				
TITLE H720 POWER SUPPLY					ASSY NO. D-UA-H720-0-0		SIZE CODE A PL		NUMBER H720-0-0		REV. K	ECO NO.
SHEET 3 OF 4					DIST. G							

DEC FORM NO. 16-1027
DRA 123

DIGITAL EQUIPMENT CORPORATION MAYNARD, MASSACHUSETTS PARTS LIST					QTY/VAR							
MADE BY P. MARCOTTE		CHECKED K. RUSS		SECTION	H720-A	H720-B	H720-C	H720-D				
DATE 1/26/70		DATE 1/29/70		1								
ENG <i>CR Blasi</i>		PROD <i>Thompson</i>		ISSUED SECT.								
DATE 2/4/70		DATE 2/4/70		1								
ITEM NO.	CL	DWG NO./PART NO. BASIC VAR.	DESCRIPTION		H720-A	H720-B	H720-C	H720-D	UNIT COST	UNIT QUANTITY	QUANTITY ISSUED	
1		E-IA-5308519-0-0	PWR SUPPLY CHASSIS		1	1	1	1				
2		C-MD-5308518-0-0	PWR SUPPLY COVER		1	1	1	1				
3		C-MD-5308521-0-0	BRKT SUPPORT		2	2	2	2				
4		D-MD-5308520-0-0	CAPACITOR BRKT		1	1	1	1				
5		D-AD-5408525-0-0	HEAT SINK ASSY		1	1	1	1				
6		D-AD-5408475-0-0	PWR REGULATOR BD ASSY		1	1	1	1				
7		1609810	TRANSFORMER MMC 2940		1	1	1	1				
8		1105799	DIODE BRIDGE DM15		2	2	2	2				
9		1002153	CAPACITOR 2 X .1 MFD 1000V		2	2	2	2				
10		9007242	FUSEHOLDER 15 AMP 250 V		2	2	2	2				
11		9007227	FUSE AGC 15 AMP SLO-BLO		1		1					
12		9007222	FUSE AGC 5 AMP-SLO-BLO		1		1					
13		9007220	FUSE AGC 4 AMP SLO-BLO			1		1				
14		9007225	FUSE AGC 10 AMP SLO-BLO			1		1				
15		1809668	ROME X 3/8 CONN		1	1	1	1				
16		1205351	AC DUPLEX OUTLET		1		1					
17		9008856	OUTLET DUPLEX NEMA 6-15R			1		1				
18		9107673-15	#14/3 600V PWR CORD 15 FT LG		1	1	1	1				
19		1209340-00	AMP CONN #1-480459-0		1	1	1	1				
20		1209379-01	CONTACT AMP #60619-4		8	8	8	8				
21		1009189	CAPACITOR 22,000 MFD 50V		2	2	2	2				
22		B-D-5308524-0-0	P/S DECALS		A/R	A/R	A/R	A/R				
TITLE H720 POWER SUPPLY					ASSY NO. D-UA-H720-0-0		SIZE CODE A PL		NUMBER H720-0-0		REV. K	ECO NO. H720-00017
SHEET 1 OF 4					DIST. G							

DEC FORM NO. 16-1027
DRA 123

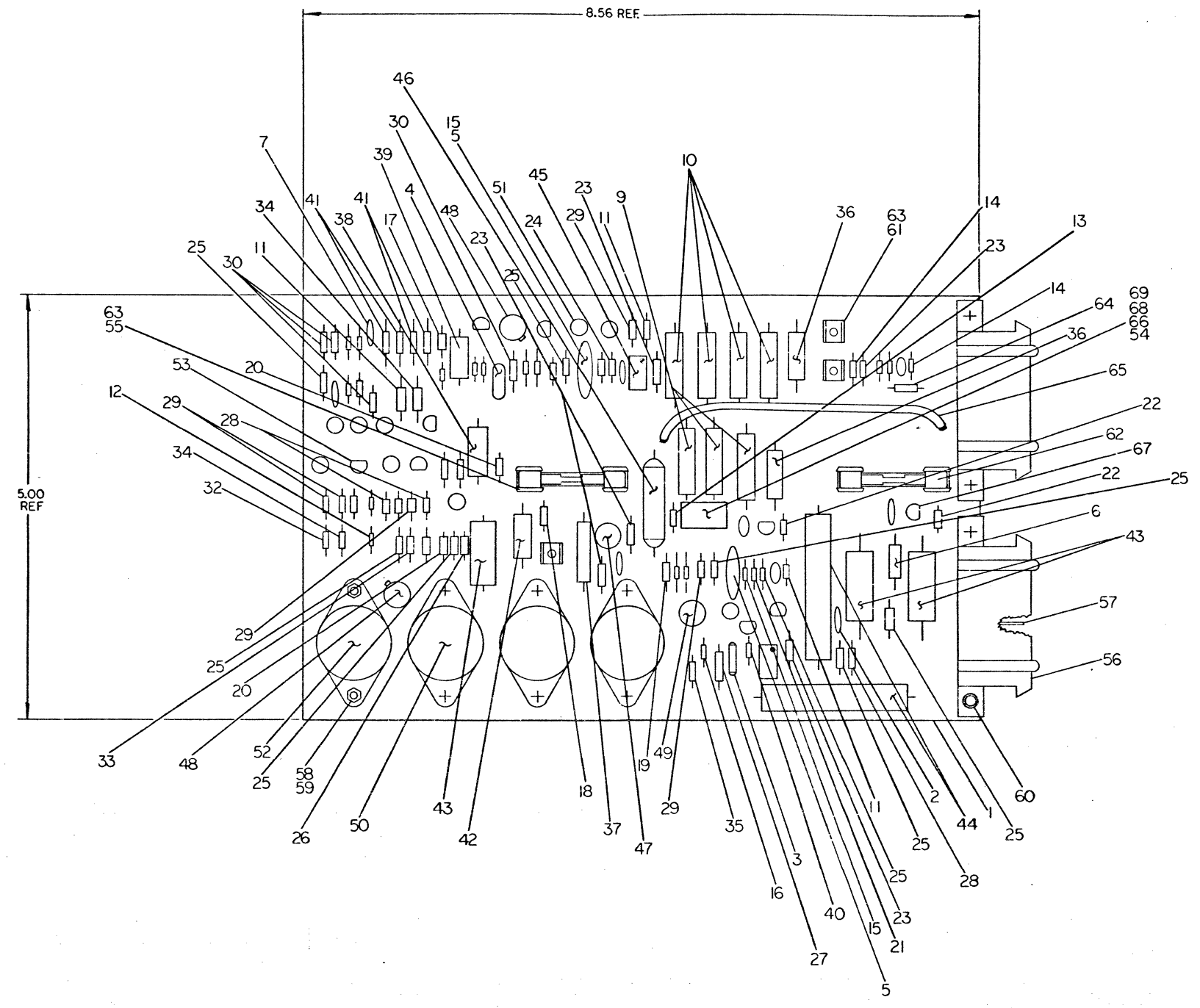
DIGITAL EQUIPMENT CORPORATION MAYNARD, MASSACHUSETTS					QUANTITY/VARIATION							
PARTS LIST					H720-A	H720-B	H720-C	H720-D				
MADE BY P. MARCOTTE		CHECKED K. RUSS		SECTION								
DATE 1/26/70		DATE 1/29/70		1								
ENG C. BLASI		PROD T. MAC DONALD		ISSUED SECT.								
DATE 2/4/70		DATE 2/4/70		1								
ITEM NO.	DWG NO./PART NO.			DESCRIPTION	H720-A	H720-B	H720-C	H720-D				
64	5309685			DECAL	-	-	/	/				
TITLE				ASSY NO.	SIZE	CODE	NUMBER		REV	ECO NO.		
H720 POWER SUPPLY				D-UA-H720-0-0	A	PL	H720-0-0		K			
				SHEET 4 OF 4	DIST.							

DEC FORM DEC 16 (325)-1031-N870
DRA 110

DIGITAL EQUIPMENT CORPORATION MAYNARD, MASSACHUSETTS					QTY/VAR							
PARTS LIST					H720-A	H720-B	H720-C	H720-D	UNIT COST	UNIT QUANTITY	QUANTITY ISSUED	
MADE BY P. MARCOTTE		CHECKED K. RUSS		SECTION								
DATE 1/27/70		DATE 1/29/70		1								
ENG <i>CMB</i>		PROD <i>Thom Donald</i>		ISSUED SECT.								
DATE 2/4/70		DATE 2/4/70		1								
ITEM NO.	CL	BASIC	VAR.	DESCRIPTION	H720-A	H720-B	H720-C	H720-D				
23		9008196		CLIP ON RECEPT #82-47-104-15 SOUTHCO	4	4	4	4				
24		9008198		1/2 TURN FASTENER #82-11-160-16 SOUTHCO	4	4	4	4				
25		9008200		1/2 TURN FAST RET RING #82-32-101-17 SOUTHCO	4	4	4	4				
26		9009054		POP RIVET SD43BS	8	8	8	8				
27		9006072-1		SCR PHL PAN PD #10-32 X 7/16 LG	4	4	4	4				
28		9006635		LOCK WASHER, INT TOOTH #10	10	10	12	12				
29		9006028-1		SCR PHL PAN HD #6-32 X 1" LG	2	2	2	2				
30		9007649		LOCKWASHER EXT TOOTH #6	12	12	16	16				
31		9006071		SCR PHL TRUSS HD #10-32 X 3/8 LG	4	4	2	2				
32		9007596		CONN, ARKLESS #3000-M446	3	3						
33		9007871		SPACER, 3/8 AF X 1" LG #10-32	4	4	6	6				
34		9006021-1		SCR, PHL PAN HD #6-32 X 5/16 LG	6	6	6	6				
35		9006037-1		SCR, PHL PAN HD #8-32 X 3/8 LG	6	6	6	6				
36		9006563		NUT, KEPS #8-32	6	6	6	6				
37		9006026-1		SCR, PHL PAN HD #6-32 X 3/4 LG	4	4	8	8				
38		9007928		CONN, ARKLESS #50364	4	4	4	4				
39		9007925		CONN, ARKLESS #3000-H21A	4	4	4	4				
40		9007917		CONN, ARKLESS #50902	36	36	36	36				
41		9107370-22		WIRE #14 AWG STRD TEF INS (RED)	A/RA	BAR	BAR	A/R				
42		9107370-99		WIRE #14 AWG STRD TEF INS (WHIT)	A/RA	BAR	BAR	A/R				
43		9107370-00		WIRE #14 AWG STRD TEF INS (BLK)	A/RA	BAR	BAR	A/R				
44		9107360-22		WIRE #18 AWG STRD TEF INS (RED)	A/RA	BAR	BAR	A/R				
TITLE				ASSY NO.	SIZE	CODE	NUMBER		REV	ECO NO.		
H720 POWER SUPPLY				D-UA-H720-0-0	A	PL	H720-0-0		K			
				SHEET 2 OF 4	DIST.	G						

DEC FORM NO. 16-1027
DRA 123

ALL DIMENSIONS UNLESS OTHERWISE SPECIFIED ARE IN INCHES. DIMENSIONS OF PARTS IN SQUARES ARE IN MILLIMETERS.



Check for dimensions of parts in square.

FIRST USE OR REV./MOD	QTY.	DESCRIPTION	PART NO.	ITEM NO.
PP-11				
PARTS LIST				
UNLESS OTHERWISE SPECIFIED:	FIN.	DATE		
DRAWN BY: J.C.M.	D.F. ELA/C	5-2-70		
CHECKED BY: J.C.M.	M. R/S	5-2-70		
DATE:				
DESIGNED BY: J.C.M.				
DATE:				
PROJ. ENG.:				
DATE:				
WORK.:				
DATE:				
MATERIAL:	HEAT SINKER ASSY.			
	DU-H720-0-0			
FINISH:	SCALE: NONE			
	SHEET 1 OF 1			
			EQUIPMENT CORPORATION	
			POWER REGULATOR BOARD (H720 PS)	
			E AD 5408475-0-0 H	

E AD 5408475-0-0 H

DIGITAL EQUIPMENT CORPORATION MAYNARD, MASSACHUSETTS PARTS LIST				QUANTITY/VARIATION													
MADE BY P. LEBLANC		CHECKED <i>K. Russ</i>		SECTION													
DATE 8/4/70		DATE 8/10/70		1													
ENG <i>R. LeBlanc</i>		PROD <i>D. Call</i>		ISSUED SECT.													
DATE 8/11/70		DATE 8/11/70		1													
ITEM NO.	DWG NO. / PART NO.	DESCRIPTION															
REF	D-CS-5408475-0-1	CIRCUIT SCHEMATIC															
REF	K-CO-5408475-0-4	X-Y COORDINATE HOLE LOCATION															
REF	D-AH-5408475-0-5	ASSY/DRILLING HOLE LAYOUT															
1	E-AD-5008474-0-0	ETCHED CKT. BD.		1													
2.	1000004	CAP. .02 MFD. 100V. 20%		1 C4													
3	1000023	CAP. 330 MMF, 100V, 5% DM		1 C6													
4	1000021	CAP. 220 MMF, 100V, 5% DM		1 C5													
5	1000030	CAP. .1 MFD, 100V 20% DISC		2 C7 C8													
6	1000076	CAP. 39 MFD, 10V, 10%		1 C2													
7	1001610	CAP. .01 MFD, 100V, 20%		8 C1 C3 C9 C10 C18 C19 C20 C22													
8	1001765	CAP. .005 MFD, 100V, 20%		1 C21													
9	1009808	CAP. 330 MFD, 10V 20%		3 C12 C14 C16													
10	1009809	CAP. 150 MFD. 20V. 20%		4 C11 C13 C15 C17													
11	1100113	DIODE D662		4 D9 D10 D16 D7													
12	1100114	DIODE D664		13 D2 D3 D4 D6 D8 D15 D18 D19 D20 D21 D22 D24													
13	1102808	DIODE 1N752A		1 D11													
14	1102942	DIODE 1N4001		2 D2 D3													
15	1104860	DIODE 1N746A		2 D7 D8													
16	1105275	DIODE D672		1 D5													
17	1105873	DIODE 1N751AZ		1 D1													
18	1300170	RES. 10 OHMS, 1/2W, 10%		1 R22													
TITLE POWER REGULATOR (H720 P/S)				ASSY NO. E-AD-5408475-0-0		SIZE CODE A PL		NUMBER 5408475-0-0				REV. J		ECO NO. 00011			
				SHEET 1 OF 4		DIST. G		324 434 435									

DEC FORM NO. DRA 110

4 PINK

DIGITAL EQUIPMENT CORPORATION MAYNARD, MASSACHUSETTS PARTS LIST				QUANTITY/VARIATION													
MADE BY P. LEBLANC		CHECKED <i>K. Russ</i>		SECTION													
DATE 8-4-70		DATE 8/10/70		1													
ENG <i>R. LeBlanc</i>		PROD <i>D. Call</i>		ISSUED SECT.													
DATE 8/11/70		DATE 8/11/70		1													
ITEM NO.	DWG NO. / PART NO.	DESCRIPTION															
19	1300202	RES. 47 ohms, 1/2W, 5%		1 R43													
20	1300231	RES. 100 ohms, 1/2W, 10%		2 R20 R29													
21	1300250	RES. 150 ohms, 1/2W, 5%		1 R32													
22	1300286	RES. 270 ohms, 1/2W, 10%		2 R4 R8													
23	1300317	RES. 470 ohms, 1/2W, 10%		5 R34 R48 R65 R69 R37													
24	1300357	RES. 820 ohms, 1/2W, 10%		1 R27													
25	1300365	RES. 1K, 5% 1/2W		6 R26 R33 R31 R23 R5 R9													
26	1300391	RES. 1.5K, 1/2W, 5%		1 R24													
27	1300415	RES. 2.2K, 1/2W, 5%		1 R18													
28	1300426	RES. 2.7K, 1/2W, 5%		2 R6 R58													
29	1300439	RES. 3.3K, 1/2W, 5%		5 R25 R47 R59 R62 R36													
30	1300448	RES. 4.7K, 1/2W, 10%		4 R52 R57 R58 R15													
31	1300447	RES. 4.7K, 1/2W, 5%		2 R50 R55													
32	1300481	RES. 10K, 1/2W, 10%		8 R3 R28 R49 R16 R60 R54 R17 R76													
33	1305346	RES. 27K, 1/2W, 5%		1 R51													
34	1301316	RES. 8.2K, 1/2W, 10%		2 R42 R53													
35	1301420	RES. 27 ohms, 1/2W, 10%		1 R14													
36	1301499	RES. 1K, 1W, 10%		2 R1 R2													
37	1301898	RES. 150 ohms, 5W, 5%		1 R13													
38	1302384	RES. 390 ohms, 1W, 5%		1 R19													
39	1302385	RES. 750 ohms, 1W, 5%		1 R12													
40	1300170	RES. 10 OHMS, 1/2W, 10%		1 R22													
TITLE POWER REGULATOR (H720 P/S)				ASSY NO. E-AD-5408475-0-0		SIZE CODE A PL		NUMBER 5408475-0-0				REV. J		ECO NO. 00011			
				SHEET 2 OF 4		DIST. C											

DEC FORM NO. DRA 110

4 PINK

DIGITAL EQUIPMENT CORPORATION MAYNARD, MASSACHUSETTS PARTS LIST				QUANTITY/VARIATION														
MADE BY P. LEBLANC		CHECKED <i>K. Huss</i>		SECTION														
DATE 8/4/70		DATE 8/10/70		1														
ENG <i>Reed</i>		PROD <i>Wall</i>		ISSUED SECT.														
DATE 8/11/70		DATE 8/11/70		1														
ITEM NO.	DWG NO. / PART NO.	DESCRIPTION																
41	1304693	RES. 562 OHMS. 1/8W. 1% MF				4	R39	R40	R41	R45								
42	1305428	RES. 1 OHM. 2W. 5%				1	R21											
43	1305872	RES. .1 OHM. 5W. 5%				3	R6	R7	R30									
44	1309108	RES. .1 OHM. 10W. 1%				2	R10	R11										
45	1309811	RES 500 OHMS, 1/2W, 20% POT				2	R35	R38										
46	1309884	RES. .2 OHMS. 5W. 5%				1	R4											
47	1500581-00	TRANSISTOR 2N1305				1	Q26											
48	1501742	TRANSISTOR 2N2904				2	Q6	Q12										
49	1502155	TRANSISTOR DEC 1008-S				1	Q9											
50	1503068	TRANSISTOR DEC 3715				1	Q7											
51	1503100	TRANSISTOR DEC 3009B-S				9	Q3	Q4	Q19	Q21	Q23	Q22	Q7	Q10	Q25			
52	1503399	TRANSISTOR DEC 3790-S				3	Q5	Q8	Q15									
53	1503409-00	TRANSISTOR DEC 6534D				8	Q3	Q11	Q18	Q2	Q20	Q24	Q16	Q17				
54	1505867	TRANSISTOR 2N4441				1	Q27											
55	9007203	FUSE CLIP				4												
56	1209340-01	PIN. HOUSING #1-480459				2												
57	1209456	PIN. CON. TERM #61320-1 LOOSE				16												
58	9006010-1	SCREW 4-40 X 5/16				8												
59	9006557	4-40 KEP NUTS				8												
60	9006732	EYELETS #GS 4-7 E.B. STIMPSON				4												
61	9007113	FASTON TABS #41290				3												
62	9007226	15 AMP FUSE				2	F1	F2										
TITLE POWER REGULATOR (H720 P/S)				ASSY NO. E-AD-5408475-0-0		SIZE CODE A PL		NUMBER 5408475-0-0				REV. J		ECO NO. 00011				
				SHEET 3 OF 4		DIST. G												

DEC FORM NO.
DRA 110

4 PINK

DIGITAL EQUIPMENT CORPORATION MAYNARD, MASSACHUSETTS PARTS LIST				QUANTITY/VARIATION <i>MS515</i>													
MADE BY P. LEBLANC		CHECKED <i>K. Huss</i>		SECTION													
DATE 8-4-70		DATE 8/10/70		1													
ENG <i>Reed</i>		PROD <i>Wall</i>		ISSUED SECT.													
DATE 8/11/70		DATE 8/11/70		1													
ITEM NO.	DWG NO. / PART NO.	DESCRIPTION															
63	9007827	EYELETS				7											
64	1205747	5 AMP FUSE				1	F3										
65	9107370-00	WIRE JUMPER 14 AWG STRAND/TEF INS (BLK)				A/R											
66	B-MD-5308733-0-0	HEAT SINK				1											
67	1509338	TRANSISTOR 2N6531				1	Q1										
68	9006024-1	SCREW PHIL HD PAN 6-32 X 1/2				1											
69	9006633	L'WASH INT TOOTH #6				1											
70	1100100	DIODE D003 (GERMANIUM)				2	D26	D27									
71	1300479	RES. 10K 1/2W 5%				1	R67										
72	1209336	FUSE HOLDER CAMBION #2394-2-03				2											
TITLE POWER REGULATOR (H720 P/S)				ASSY NO. E-AD-5408475-0-0		SIZE CODE A PL		NUMBER 5408475-0-0				REV. J		ECO NO. 00011			
				SHEET 4 OF 4		DIST. G											

DEC FORM NO.
DRA 110

4