

**digital**

**RS04**

**Engineering Drawings**

Digital Equipment Corporation

The material herein is for information purposes only and is subject to change without notice. Digital Equipment Corporation assumes no responsibility for any errors which may appear herein.

These drawings and specifications herein are the property of Digital Equipment Corporation and shall not be reproduced or copied or used in whole or in part as the basis for the manufacture or sale of items without written permission.

Copyright © 1975, Digital Equipment Corporation

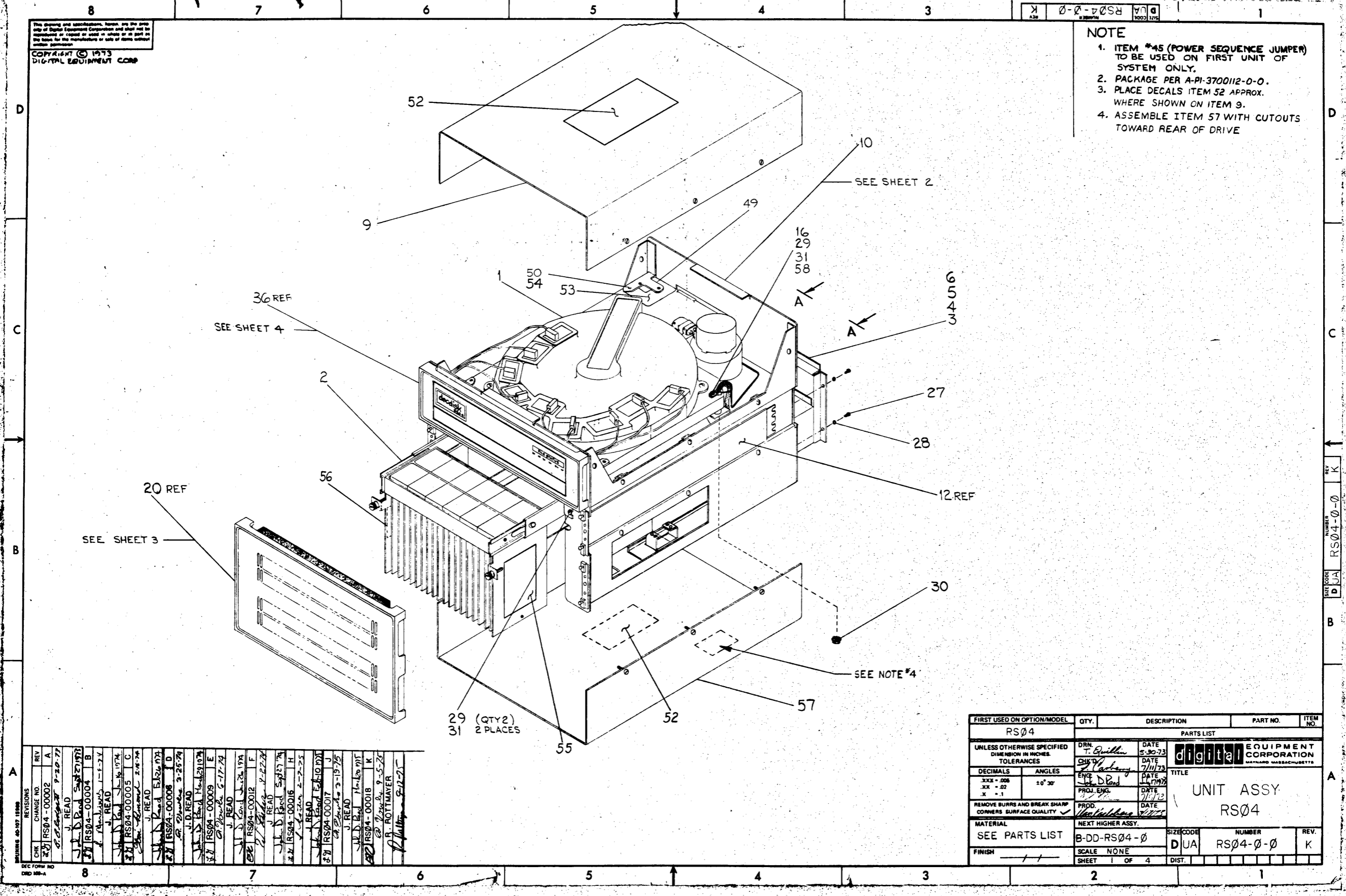


This drawing and specifications, herein, are the property of Digital Equipment Corporation and shall not be reproduced or copied in whole or in part without the written permission of Digital Equipment Corporation.

COPYRIGHT © 1973  
DIGITAL EQUIPMENT CORP

NOTE

1. ITEM \*45 (POWER SEQUENCE JUMPER) TO BE USED ON FIRST UNIT OF SYSTEM ONLY.
2. PACKAGE PER A-PI-3700112-0-0.
3. PLACE DECALS ITEM 52 APPROX. WHERE SHOWN ON ITEM 9.
4. ASSEMBLE ITEM 57 WITH CUTOUTS TOWARD REAR OF DRIVE

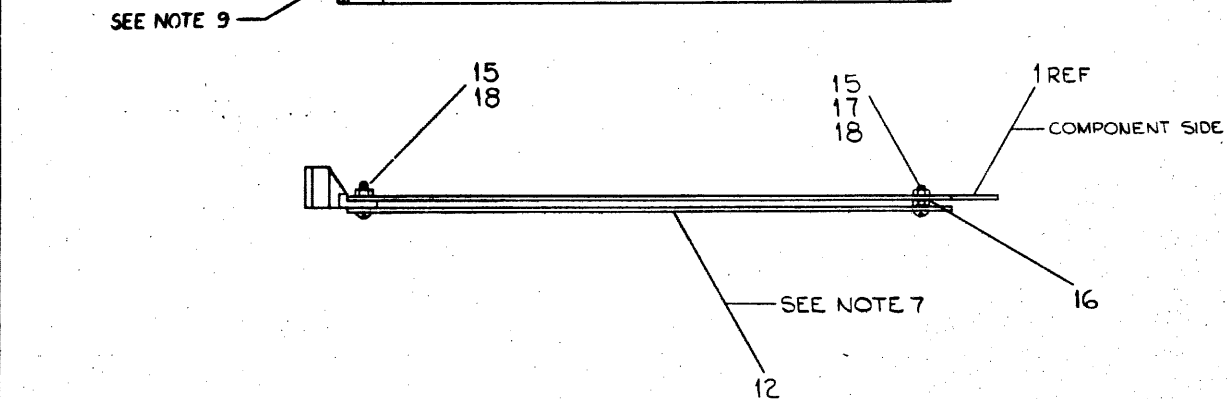
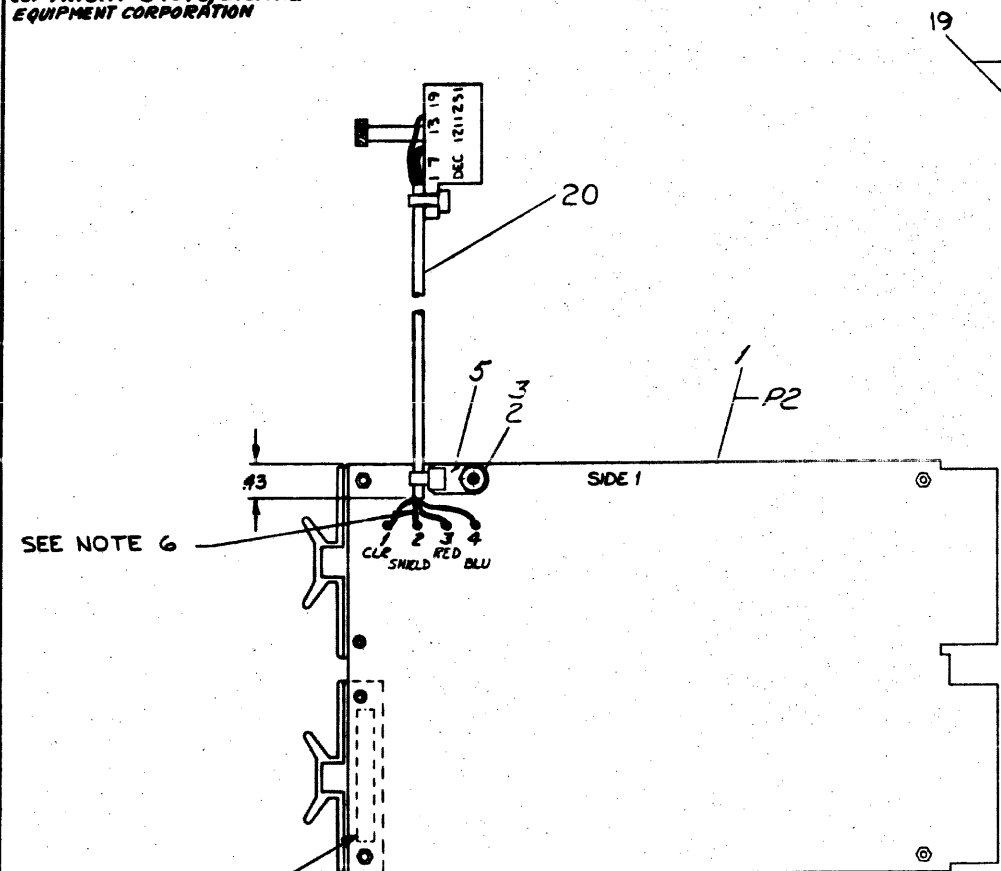


REV	CHANGE NO.	DESCRIPTION	DATE
A	00002	INITIAL RELEASE	9-20-72
B	00004	REVISED TO REFLECT CHANGES TO MECHANICAL DRAWING	5-27-73
C	00005	REVISED TO REFLECT CHANGES TO MECHANICAL DRAWING	1-1-74
D	00008	REVISED TO REFLECT CHANGES TO MECHANICAL DRAWING	1-16-74
E	00009	REVISED TO REFLECT CHANGES TO MECHANICAL DRAWING	1-16-74
F	00012	REVISED TO REFLECT CHANGES TO MECHANICAL DRAWING	6-17-74
G	00018	REVISED TO REFLECT CHANGES TO MECHANICAL DRAWING	1-24-74
H	00016	REVISED TO REFLECT CHANGES TO MECHANICAL DRAWING	2-22-74
J	00017	REVISED TO REFLECT CHANGES TO MECHANICAL DRAWING	2-22-74
K	00018	REVISED TO REFLECT CHANGES TO MECHANICAL DRAWING	3-19-75

FIRST USED ON OPTION/MODEL	QTY.	DESCRIPTION	PART NO.	ITEM NO.
RS04				
PARTS LIST				
UNLESS OTHERWISE SPECIFIED DIMENSION IN INCHES.		DRN. T. Quillen	DATE 5-30-73	<b>digital</b> CORPORATION MAYNARD MASSACHUSETTS
TOLERANCES		CHK'D J. Pacheco	DATE 7/11/73	
DECIMALS	ANGLES	ENG. J. Pacheco	DATE 1-17/73	
.XXX - .008	20° 30'	PROJ. ENG. J. Pacheco	DATE 7/17/73	
.XX - .02		PRD. Van Halbeek	DATE 12/25/75	TITLE
.X - .1				UNIT ASSY
REMOVE BURRS AND BREAK SHARP CORNERS SURFACE QUALITY				RS04
NEXT HIGHER ASSY.				
MATERIAL	SEE PARTS LIST	B-DD-RS04-0	SIZE CODE DUA	NUMBER RS04-0-0
FINISH		SCALE NONE		REV. K
		SHEET 1 OF 4	DIST.	

The drawing and specifications herein are the property of Digital Equipment Corporation and shall not be reproduced or copied in whole or in part in any form for the manufacture or sale of items without written permission.

COPYRIGHT © 1973, DIGITAL EQUIPMENT CORPORATION



- NOTES:**
- ~~STRIP BACK CABLE SHIELD AND SOLDER TO DIMENSION SHOWN, DISCARD SHIELD AT CONNECTOR END ONLY.~~
  - ~~USE CRIMPING TOOL #500-0024-000 (TERMINATOR) FOR ASSEMBLY OF BLADES (#17) TO WIRE. FOR INSERTING & REMOVING BLADES IN CONNECTOR BODY, USE TOOL #500-0027-000 (TERMINATOR).~~
  - ~~AFTER ASSEMBLING CABLE, INSERT TWO KEYS (SUPPLIED WITH ITEM 6) AS SHOWN.~~
  - ~~CRIMP MICRODOT WIRE OVER XXXXX WIRE.~~
  - ~~STRAND TO BE TWISTED AND TINNED AFTER SEPARATION.~~
  - SHIELD TO BE INSTALLED FIRST WITH NO SERVICE LOOP.
  - ITEM #12 TO BE ADDED AFTER CABLE IS MOUNTED AND CLAMPED.
  - CENTER LABEL ON SIDE OF CONNECTOR AS SHOWN IN VIEW B-B.
  - ASSEMBLY NUMBER SHALL BE STAMPED ON HANDLE.

QTY.	DESCRIPTION	PART NO.	ITEM NO.
1	TIMING AMP CABLE	7011000-0-0	20
1	HEAD CONN DECALS	A-PS-3611451-4	19
4	NUT, HEX # 2-56	9006555	18
2	WASHER, INT TOOTH LOCK # 2-56	9006631	17
2	NUT, HEX NYLON # 2-56	9007265	16
4	SCREW, PHL PAN # 2-56 x 5/16 LG	9006002-1	15
<del>2</del>	<del>WASHER, INT TOOTH LOCK # 2-56</del>	<del>9006631</del>	<del>17</del>
<del>2</del>	<del>SCREW, PHL PAN # 2-56 x 5/16 LG</del>	<del>9006002-1</del>	<del>15</del>
1	NOISE SHIELD	5009893	12
<del>1</del>	<del>TIE WRAP</del>	<del>9007880</del>	<del>9</del>
<del>1</del>	<del>SCREW, KNURLED SHOULDER AND WING</del>	<del>9007000</del>	<del>8</del>
<del>3</del>	<del>CONTACT BLADE</del>	<del>9007251-1</del>	<del>7</del>
<del>1</del>	<del>CONNECTOR BODY</del>	<del>9007251</del>	<del>6</del>
1	SCREWDOWN TIE WRAP	8007033	5
<del>1</del>	<del>CABLE, COND, MICRODOT</del>	<del>700014</del>	<del>4</del>
1	NUT, KEP # 6-32	8008105	3
1	SCREW, PHL PAN # 6-32 x 1/2 LG	9006021-1	2
1	RS03 TIMING AMP-LOGIC	0082	1

REVISIONS

REV	CHG	NO	DATE	BY
A	1	00001	11-26-72	J. READ
B	1	00002	11-26-72	J. READ
C	1	00003	11-26-72	J. READ

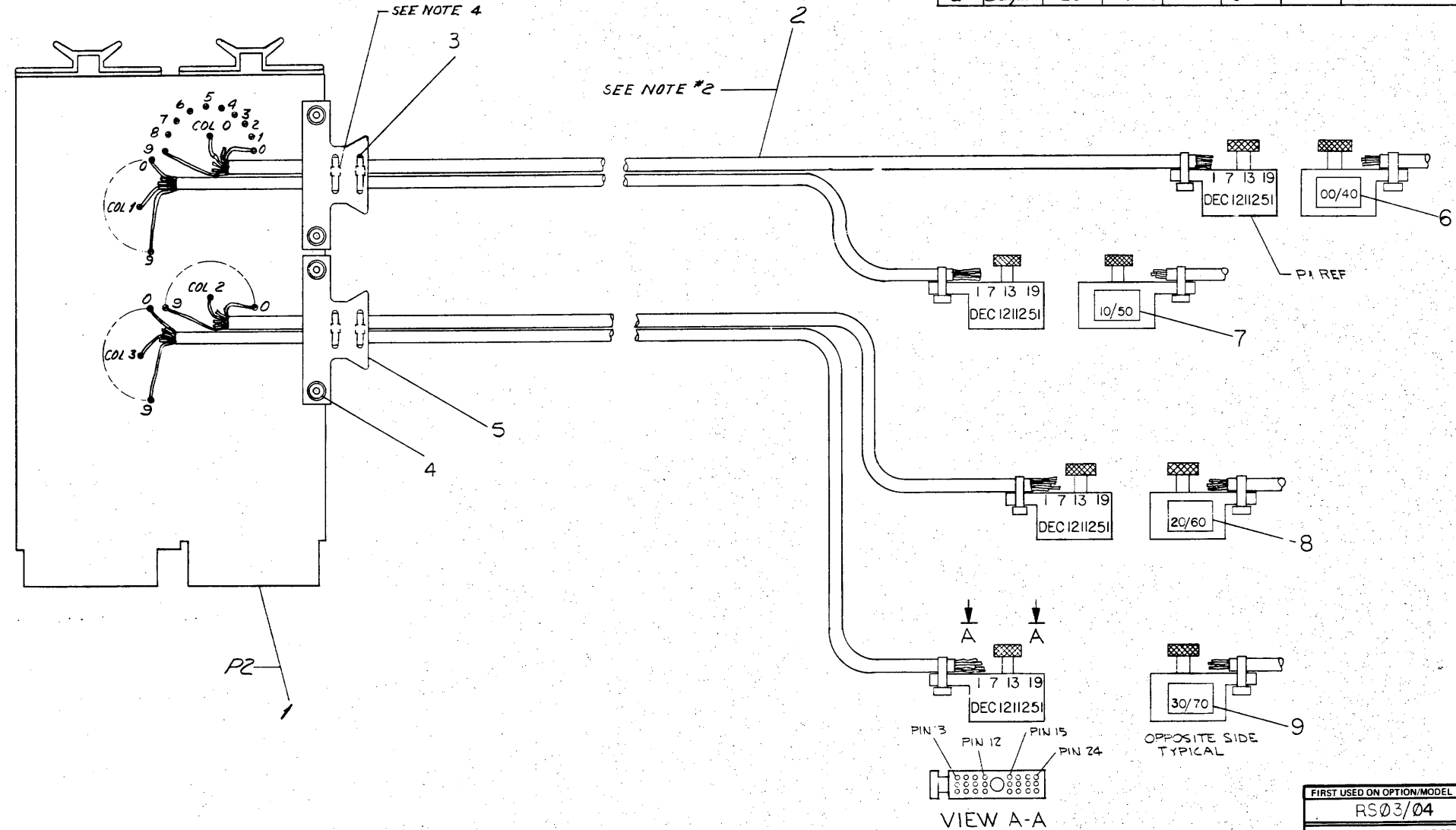
FIRST USED ON OPTION/MODEL <b>RS03/04</b>		DATE <b>11/17/73</b>		PARTS LIST	
UNLESS OTHERWISE SPECIFIED DIMENSIONS IN INCHES		DRN <i>[Signature]</i>	DATE <b>11/17/73</b>	EQUIPMENT CORPORATION	
TOLERANCES		CHK'D <i>[Signature]</i>	DATE <b>11/17/73</b>	TIMING AMP ASSY	
DECIMALS	ANGLES	ENG <i>[Signature]</i>	DATE <b>11/17/73</b>	TITLE	
.XXX - .008	± 0° 20'	PROJ <i>[Signature]</i>	DATE <b>11/17/73</b>	TIMING AMP ASSY	
.XX - .02		PROD <i>[Signature]</i>	DATE <b>11/17/73</b>	TITLE	
.X - .1				TIMING AMP ASSY	
REMOVE BURRS AND BREAK SHARP CORNERS SURFACE QUALITY		NEXT HIGHER ASSY.		SIZE CODE	
SEE PARTS LIST		E-AD-7009236-0-0		NUMBER	
FINISH		SCALE NONE		DIA 7009257-0-0	
SHEET		OF		REV	
				F1	

This drawing and specifications, herein, are the property of Digital Equipment Corporation and shall not be reproduced or copied or used in whole or in part as the basis for the manufacture or sale of items without written permission.

COPYRIGHT © 1973 DIGITAL EQUIPMENT CORPORATION

WIRED TABLE							
ITEM NO.	DESCRIPTION	FROM	TO		REMARKS		
			CONN	WITH			
2	WHT #26	P1-15	---	P2-9	SOLDER		
	GRY	P1-12	↑	P2-8			
	VIO	P1-2	↑	P2-7			
	BLU	P1-5	↑	P2-6			
	GRN	P1-8	↑	P2-5			
	YEL	P1-11	↑	P2-4			
	ORN	P1-14	↑	P2-3			
	RED	P1-17	↑	P2-2			
	BRN	P1-20	↑	P2-1			
	BLK	P1-23	↑	P2-0			
2	BLK/WHT #26	P1-6	---	P2-COL	SOLDER NOTE 1		

- NOTES:
1. CABLE DRAIN WIRE IS ALSO CONNECTED TO 'COL' SPLIT LUG.
  2. WIRE TABLE IS TYPICAL FOR ALL FOUR CABLES.
  3. CENTER LABELS ON SIDE OF CONNECTOR AS SHOWN.
  4. CABLE TIE LATCH IS ON FAR SIDE OF CABLE CLAMP.



QTY.	DESCRIPTION	PART NO.	ITEM NO.
1	HEAD CONN DECALS	A-PS-3611451-3	9
1	HEAD CONN DECALS	A-PS-3611451-2	8
1	HEAD CONN DECALS	A-PS-3611451-1	7
1	HEAD CONN DECALS	A-PS-3611451-0	6
2	CLAMP, CABLE	A-PS-1202790-0-0	5
4	EYELET	A-PS-9006741-0-0	4
4	CABLE TIE	A-PS-9007031-0-0	3
4	HEAD MATRIX CABLE	61A7009255-0-0	2
1	HEAD MATRIX	M7758	1

FIRST USED ON OPTION/MODEL RS03/04		QTY.	DESCRIPTION	PART NO.	ITEM NO.
PARTS LIST					
UNLESS OTHERWISE SPECIFIED DIMENSION IN INCHES. TOLERANCES		DRN. <i>J. D. ...</i>	DATE 1/23/73	digital EQUIPMENT CORPORATION MAYNARD MASSACHUSETTS	
DECIMALS .xxx = .006	ANGLES ±0° 30'	CHK'D <i>[Signature]</i>	DATE 2/1/73	TITLE	
.xx = .02		ENG. <i>[Signature]</i>	DATE 2/1/73	HEAD MATRIX CABLE ASSY	
.x = .1		PROB'G <i>[Signature]</i>	DATE 2/1/73		
REMOVE BURRS AND BREAK SHARP CORNERS SURFACE QUALITY ✓		PROD. <i>[Signature]</i>	DATE 2/1/73		
MATERIAL	NEXT HIGHER ASSY.	SIZE CODE		NUMBER	REV.
SEE PARTS LIST		E-AD-7009236-0-0		D IA 7009256-0-0	A
FINISH	SCALE NONE	SHEET [OF]		DIST.	

REVISIONS	CHG. NO.	REV.
1	7009256	00001 A
2	1-28-72	
3	1-30-72	
4	11-30-75	

This drawing and specifications herein are the property of Digital Equipment Corporation and shall not be reproduced or copied or used in whole or in part as the basis for the manufacture or sale of items without written permission.

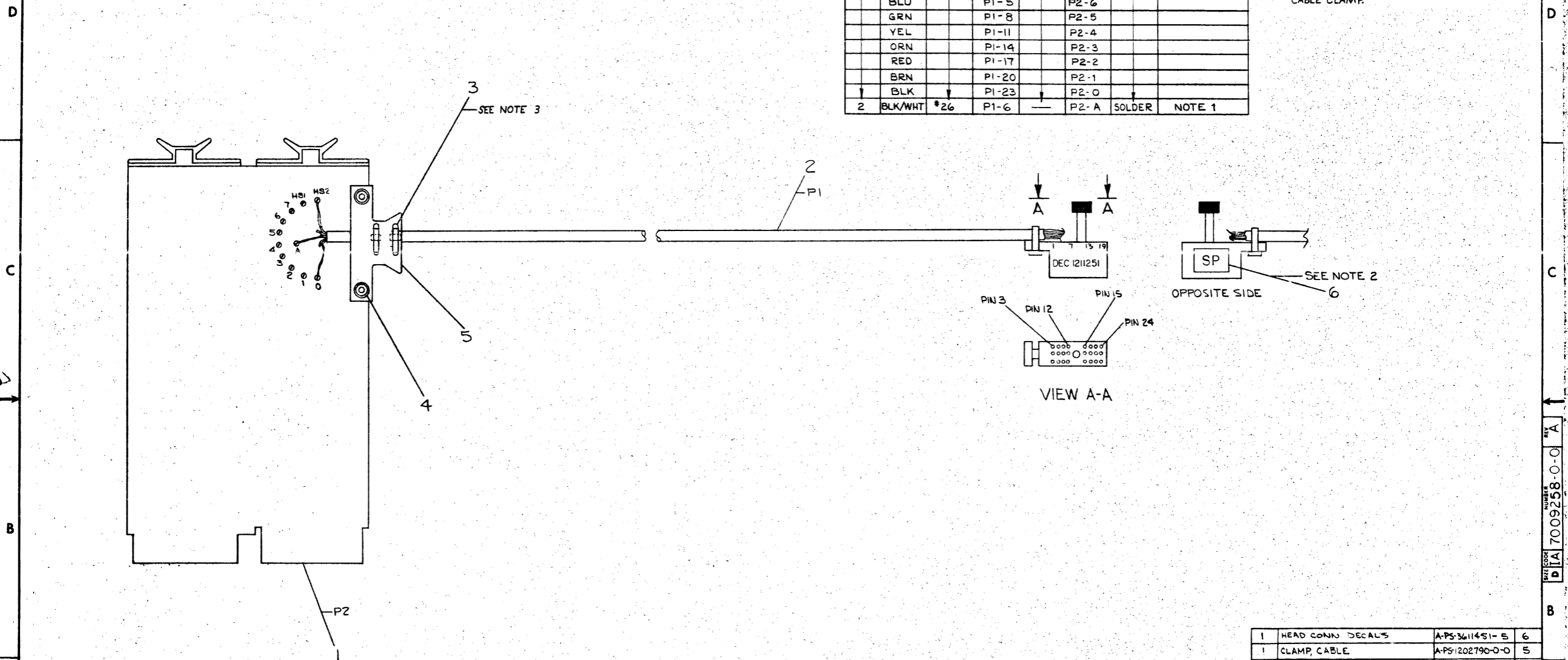
COPYRIGHT ©1973 DIGITAL EQUIPMENT CORPORATION

V 0-0-8626002 VI d 2

WIRE TABLE

ITEM NO.	DESCRIPTION	FROM		TO		REMARKS
		CONN	WITH	CONN	WITH	
2	WHT *26	P1-15	---	P2-HS2	SOLDER	
	GRY	P1-12	↑	P2-HS1	↑	
	VIO	P1-2		P2-7		
	BLU	P1-5		P2-6		
	GRN	P1-8		P2-5		
	YEL	P1-11		P2-4		
	ORN	P1-14		P2-3		
	RED	P1-17		P2-2		
	BRN	P1-20		P2-1		
	BLK	P1-23	↓	P2-0	↓	
2	BLK/WHT *26	P1-6	---	P2-A	SOLDER	NOTE 1

- NOTES:
- CABLE DRAIN WIRE IS ALSO CONNECTED TO 'A' SPLIT LUG.
  - CENTER LABEL ON SIDE OF CONNECTOR AS SHOWN.
  - CABLE TIE LATCH IS ON FAR SIDE OF CABLE CLAMP.



QTY.	DESCRIPTION	PART NO.	ITEM NO.
1	HEAD CONN DECALS	A-PS-3611451-5	6
1	CLAMP CABLE	A-PS-1202790-0-0	5
2	EYELET	A-PS-900w791-0-0	4
2	CABLE TIE 3 3/4 L. X 3/32 W.	AP-9007091-0-0	3
1	HEAD MATRIX CABLE	C-IA-7009255-0-0	2
1	ALTERNATE TRACK OPTION	M7756	1

FIRST USED ON OPTION/MODEL RS03/04		DATE 2-16-73		
UNLESS OTHERWISE SPECIFIED DIMENSION IN INCHES TOLERANCES		DRN B VALENTINE	DATE 7/11/73	
DECIMALS	ANGLES	CHKD <i>[Signature]</i>	DATE 7/11/73	<b>TITLE</b> ALTERNATE TRACK OPTION CABLE ASSY
XXX - .005	±0° 30'	ENG D. Field	DATE 7/11/73	
XX - .02		PREP [Signature]	DATE 7/11/73	REMOVE BURRS AND BREAK SHARP CORNERS SURFACE QUALITY
X - .1		PROD [Signature]	DATE 7/11/73	
MATERIAL	SEE PARTS LIST	NEXT HIGHER ASSY.		SIZE CODE EAD-7009236-0-0
FINISH		SCALE NONE		NUMBER DIA 7009258-C-0
		SHEET 1 OF 1		REV. A

REVISIONS	NO.	DATE	BY	DESCRIPTION
1	1	7/11/73	[Signature]	INITIAL
2	2	7/11/73	[Signature]	FIELD
3	3	7/11/73	[Signature]	REV. 1

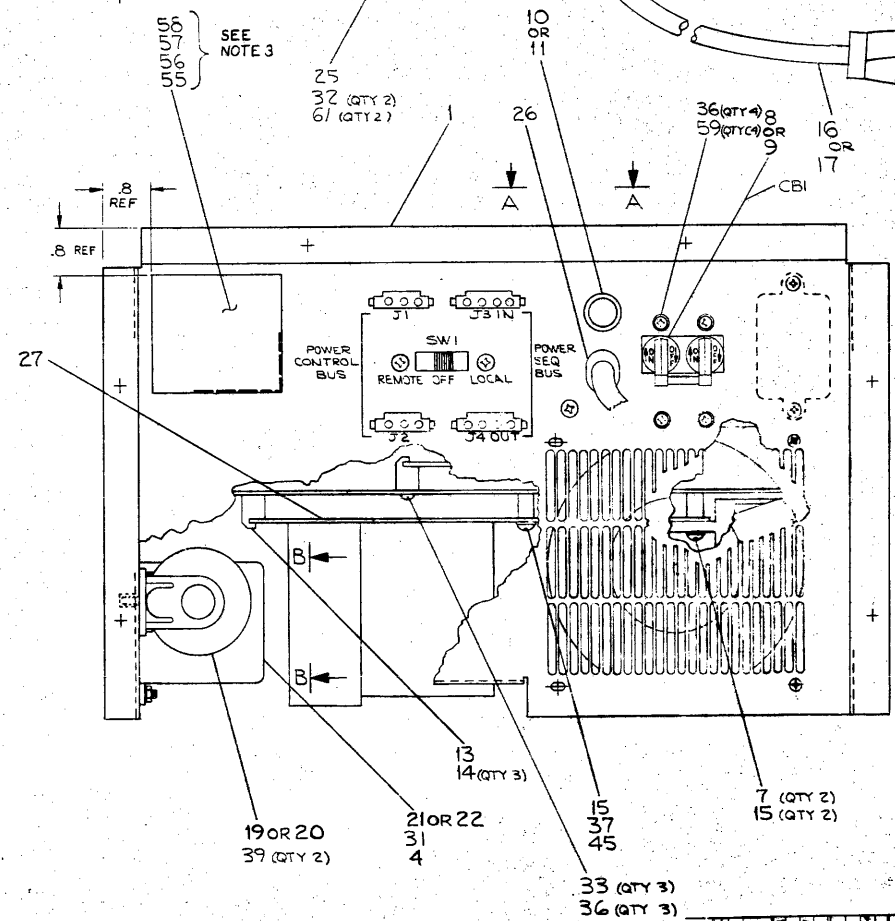
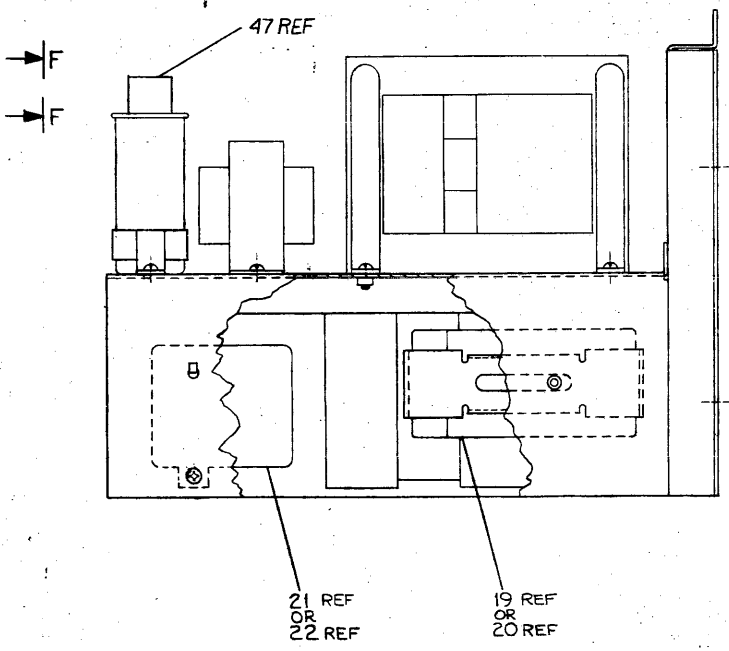
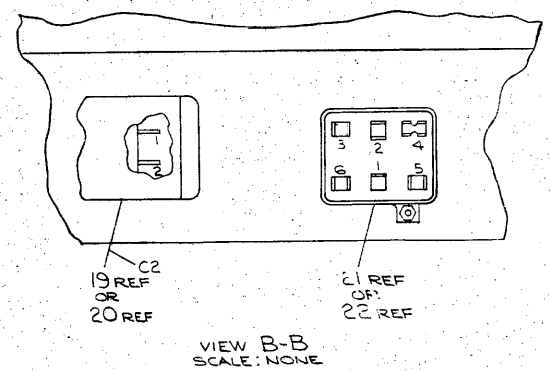
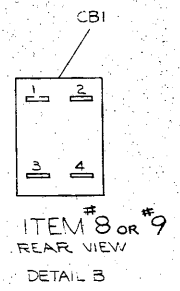
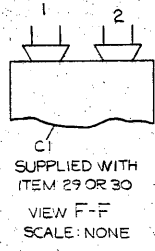
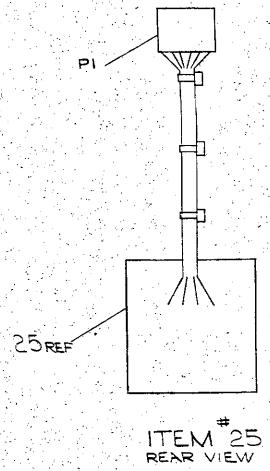
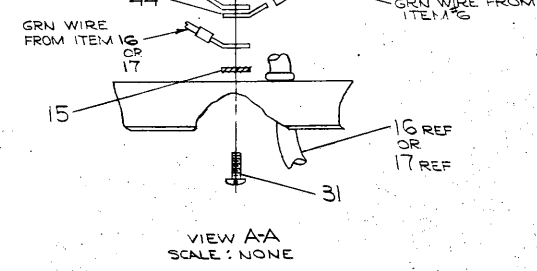
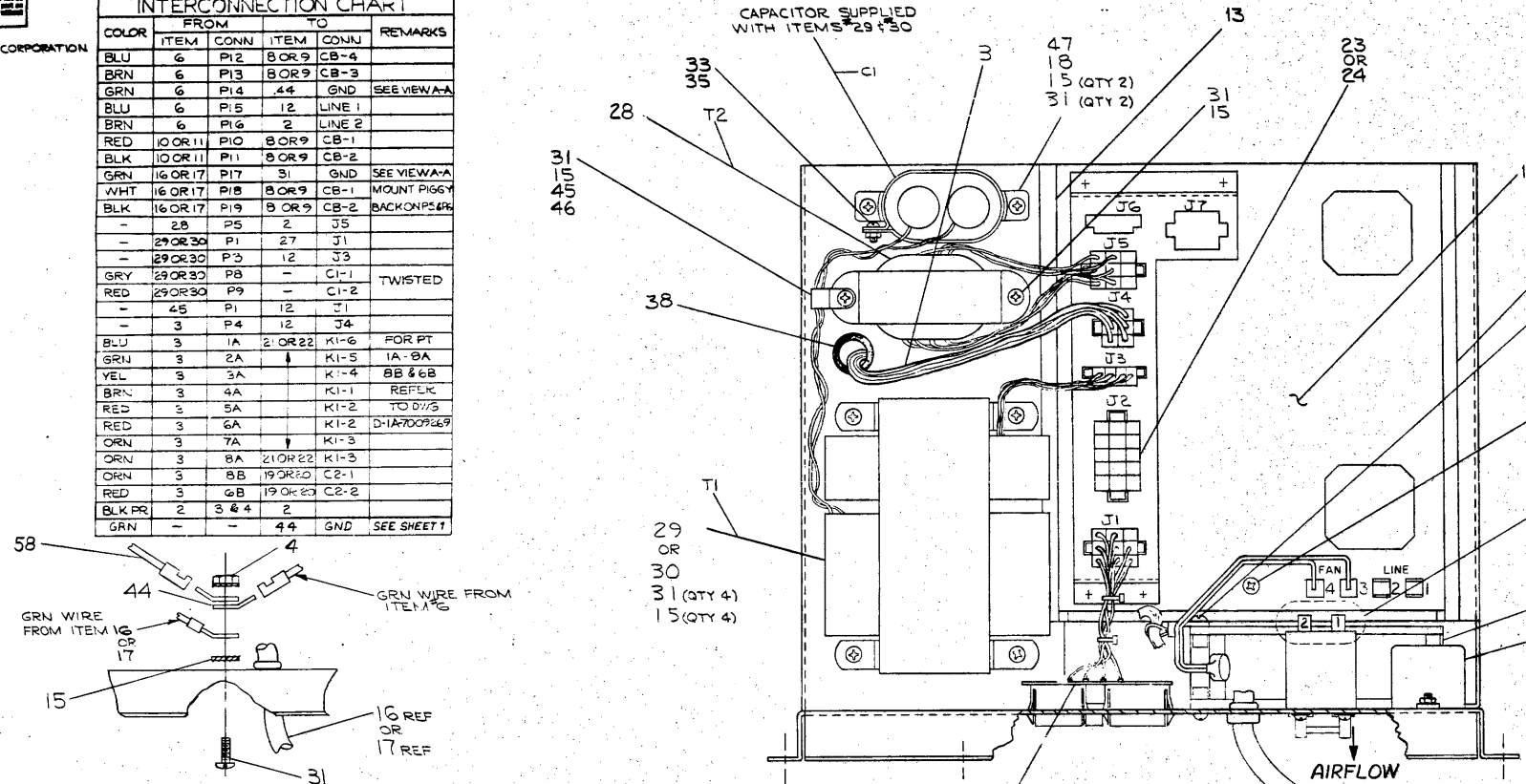
DIA 7009258-0-0 REV. A

COPYRIGHT © 1973  
DIGITAL EQUIPMENT CORPORATION

INTERCONNECTION CHART					
COLOR	FROM		TO		REMARKS
	ITEM	CONN	ITEM	CONN	
BLU	6	P12	8 OR 9	CB-4	
BRN	6	P13	8 OR 9	CB-3	
GRN	6	P14	44	GND	SEE VIEW A-A
BLU	6	P15	12	LINE 1	
BRN	6	P16	2	LINE 2	
RED	10 OR 11	P10	8 OR 9	CB-1	
BLK	10 OR 11	P11	8 OR 9	CB-2	
GRN	16 OR 17	P17	31	GND	SEE VIEW A-A
WHT	16 OR 17	P18	8 OR 9	CB-1	MOUNT PIGGY
BLK	16 OR 17	P19	8 OR 9	CB-2	BACK ON P54
-	28	P5	2	J5	
-	29 OR 30	P1	27	J1	
-	29 OR 30	P3	12	J3	
GRY	29 OR 30	P8	-	C1-1	TWISTED
RED	29 OR 30	P9	-	C1-2	
-	45	P1	12	J1	
-	3	P4	12	J4	
BLU	3	1A	2 OR 22	K1-6	FOR PT
GRN	3	2A	-	K1-5	1A-9A
YEL	3	3A	-	K1-4	8B & 6B
BRN	3	4A	-	K1-1	REFLX
RED	3	5A	-	K1-2	TO D/S
RED	3	6A	-	K1-2	D-1A7009269
ORN	3	7A	-	K1-3	
ORN	3	8A	21 OR 22	K1-3	
ORN	3	8B	19 OR 20	C2-1	
RED	3	6B	19 OR 20	C2-2	
BLK PR	2	3 & 4	2		
GRN	-	-	44	GND	SEE SHEET 1

LEGEND	
VARIATION	NUMBER
115V 60 HZ	7009006-0
230V 60 HZ	7009006-1
115V 50 HZ	7009006-2
230V 50 HZ	7009006-3

NOTE:  
1. TESTER FOR THIS ASSY IS RS04-TD  
2. FOR WIRING CONNECTIONS REFER TO DWG D-CS-7009006-0-1 & INTERCONNECTION CHART  
3. POSITION DECAL OVER ALIGNMENT MARKS.



FIRST USED ON OPTION/MODEL	QTY.	DESCRIPTION	PART NO.	ITEM NO.
RS03/04		POWER SUPPLY/CONTROL ASSY	D-UA-RS04-0-0	1
UNLESS OTHERWISE SPECIFIED DIMENSIONS IN INCHES.				
TOLERANCES				
DECIMALS				
ANGLES				
FINISH				
NEUTRAL SURFACES AND BREAK SHARP CORNERS: SURFACE QUALITY				
MATERIAL				
FINISH				
SCALE				
SHEET				

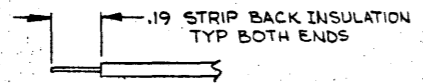
AD 7009006-0-C-1

The drawing and construction herein are the property of Digital Equipment Corporation and shall not be reproduced or copied in whole or in part or in any manner for the manufacture or sale of items without written permission.

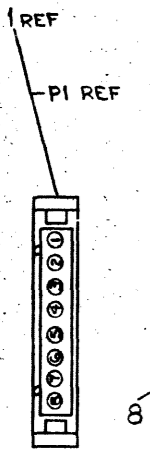
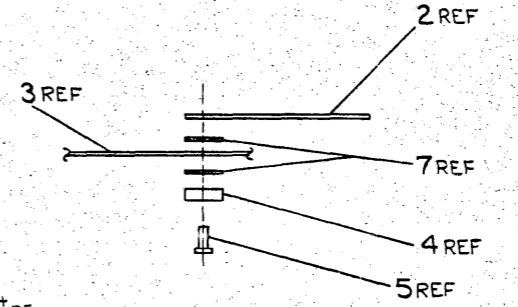
COPYRIGHT © 1973 DIGITAL EQUIPMENT CORPORATION

WIRE TABLE						
ITEM NO	DESCRIPTION		FROM		TO	
	COLOR	AWG	CONN	WITH	CONN	WITH
3	BRN	22	PI-1	ITEM B	P2-1	SOLDER
	RED		PI-2		P2-2	
	ORN		PI-3		P2-3	
	YEL		PI-4		P2-4	
	GRN		PI-5		P2-5	
	BLU		PI-6		P2-6	
	VIO		PI-7		P2-7	
3	GRY	22	PI-8	ITEM B	P2-8	SOLDER

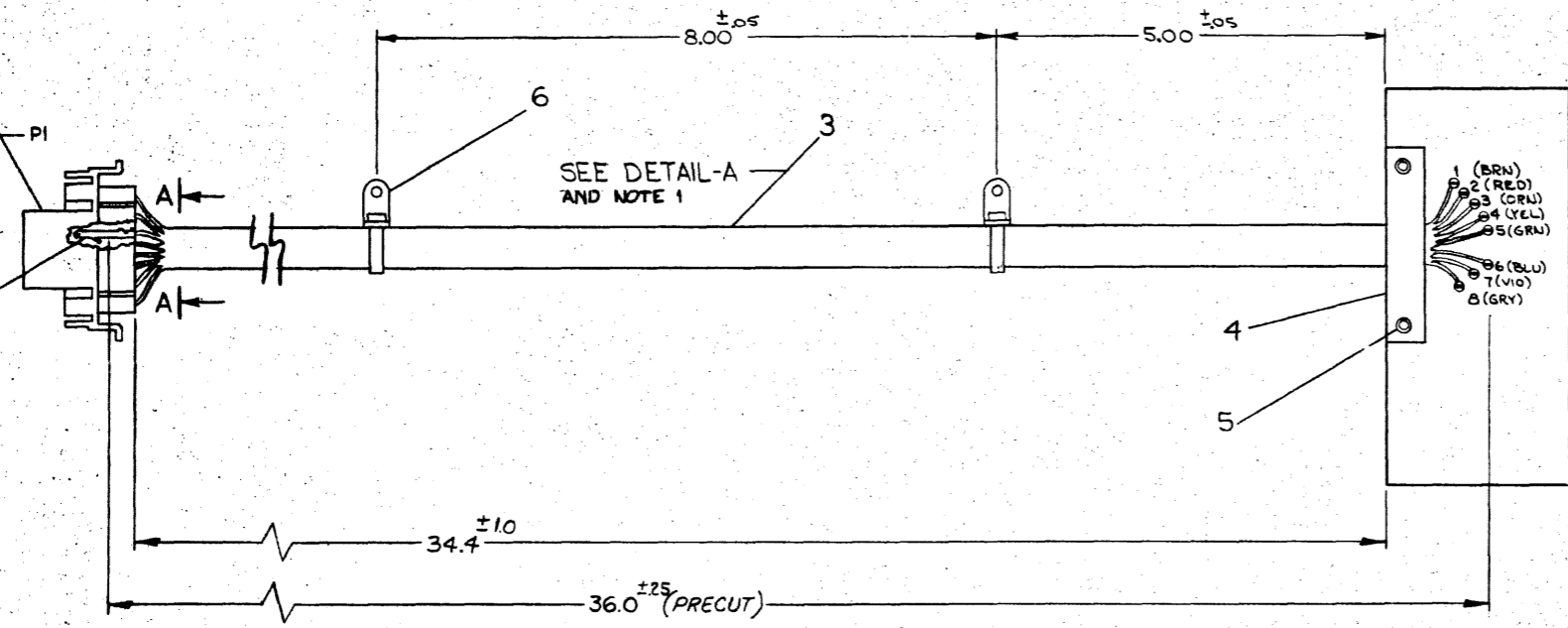
NOTES  
 1. ITEM # 3 (20 CONDUCTORS) IS TO BE SEPARATED INTO TWO (2) B CONDUCTOR CABLES, EACH COLORED AS INDICATED IN WIRE TABLE. THIS WILL SUPPLY CABLE FOR TWO ASSEMBLIES. DISCARD FOUR CONDUCTORS (TWO BLACK, TWO WHITE).



DETAIL-A  
SCALE: NONE



VIEW A-A  
SCALE: NONE



QTY.	DESCRIPTION	PART NO.	ITEM NO.
8	MATE-N-LOCK PIN (MALE)	1209378-03	8
A/R	TAPE, # 4032	9007834	7
2	CABLE TIE SSC2	9007033	6
2	EYELET GS-7	9006732	5
1	CABLE CLAMP	1202704	4
A/R	RIBBON CABLE	9107575	3
1	LIGHT PANEL	DCS-54102920-1	2
1	MATE-N-LOCK 8PIN CDUA	1209340-01	1

FIRST USED ON OPTION/MODEL		PARTS LIST	
RS03/04			
UNLESS OTHERWISE SPECIFIED DIMENSION IN INCHES TOLERANCES	DRN. T. Quillin DATE 7/1/73	digital EQUIPMENT CORPORATION	
DECIMALS .XXX - .006	CHK'D. J. Calvey DATE 7/1/73	TITLE LIGHT PANEL & CABLE ASSY	
ANGLES ±0° 30'	ENG. M. Field DATE 7/1/73	SIZE CODE NUMBER REV	
.XX - .02	PROF. J. Kalsberg DATE 7/1/73	DIA 7009172-0-0 B	
.X - .1	REMOVE BURRS AND BREAK SHARP CORNERS SURFACE QUALITY	SHEET 1 OF 1	
MATERIAL	NEXT HIGHER ASSY.	DIST.	
FINISH	DUA-RS04-0-0		

REV.	CHANGE NO.	REV.	DATE
A	1	A	9/18/74
B	1	B	9/27/74
C	1	C	10/2/74
D	1	D	10/2/74

REVISIONS 48-107 10-68

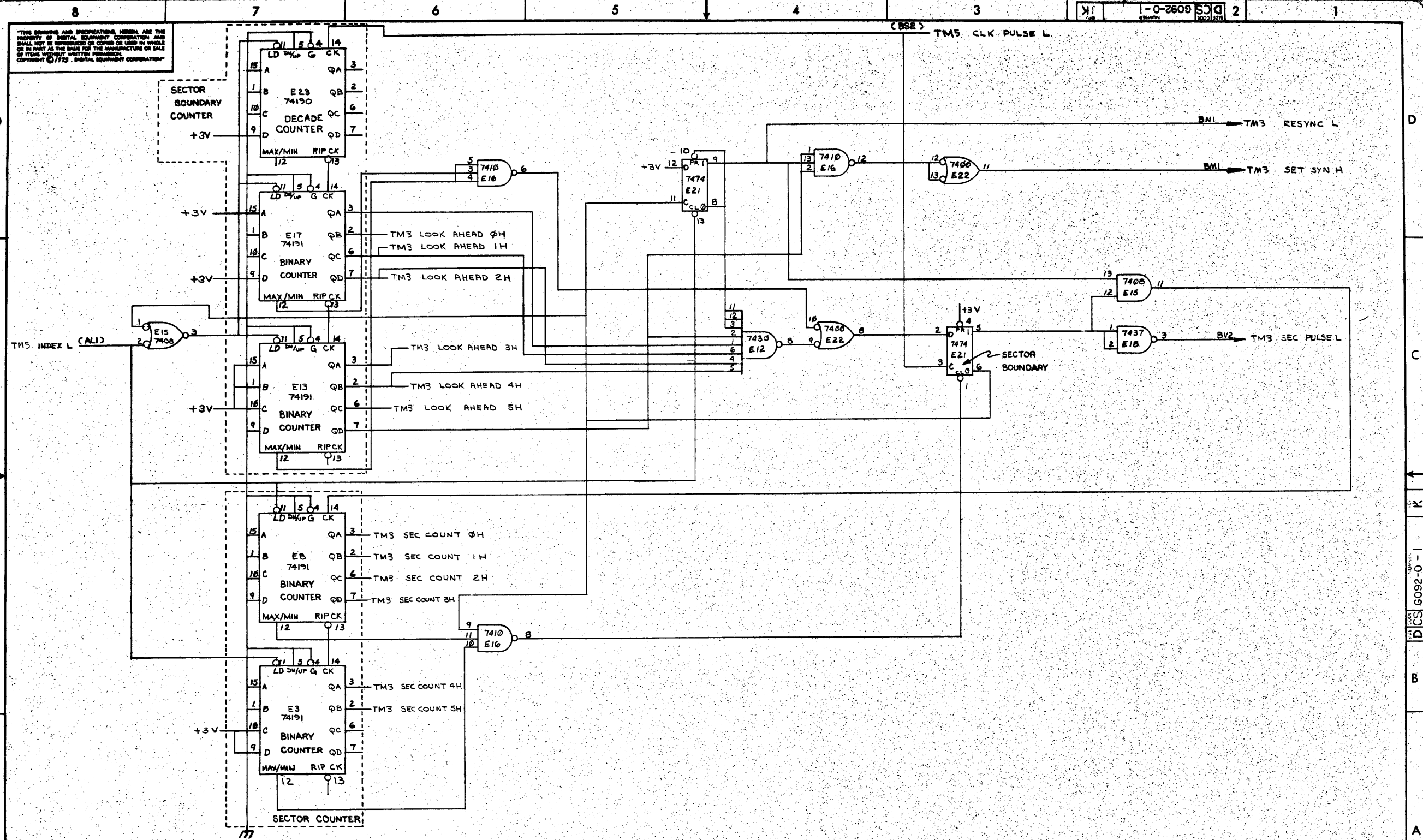
REV B  
NUMBER DIA 7009172-0-0







"THE DESIGN AND SPECIFICATIONS HEREIN ARE THE PROPERTY OF DIGITAL EQUIPMENT CORPORATION AND SHALL NOT BE REPRODUCED OR COPIED OR USED IN WHOLE OR IN PART AS THE BASIS FOR THE MANUFACTURE OR SALE OF ITEMS WITHOUT WRITTEN PERMISSION OF DIGITAL EQUIPMENT CORPORATION." COPYRIGHT © 1973, DIGITAL EQUIPMENT CORPORATION



REVISIONS		
CHK	CHANGE NO.	REV.

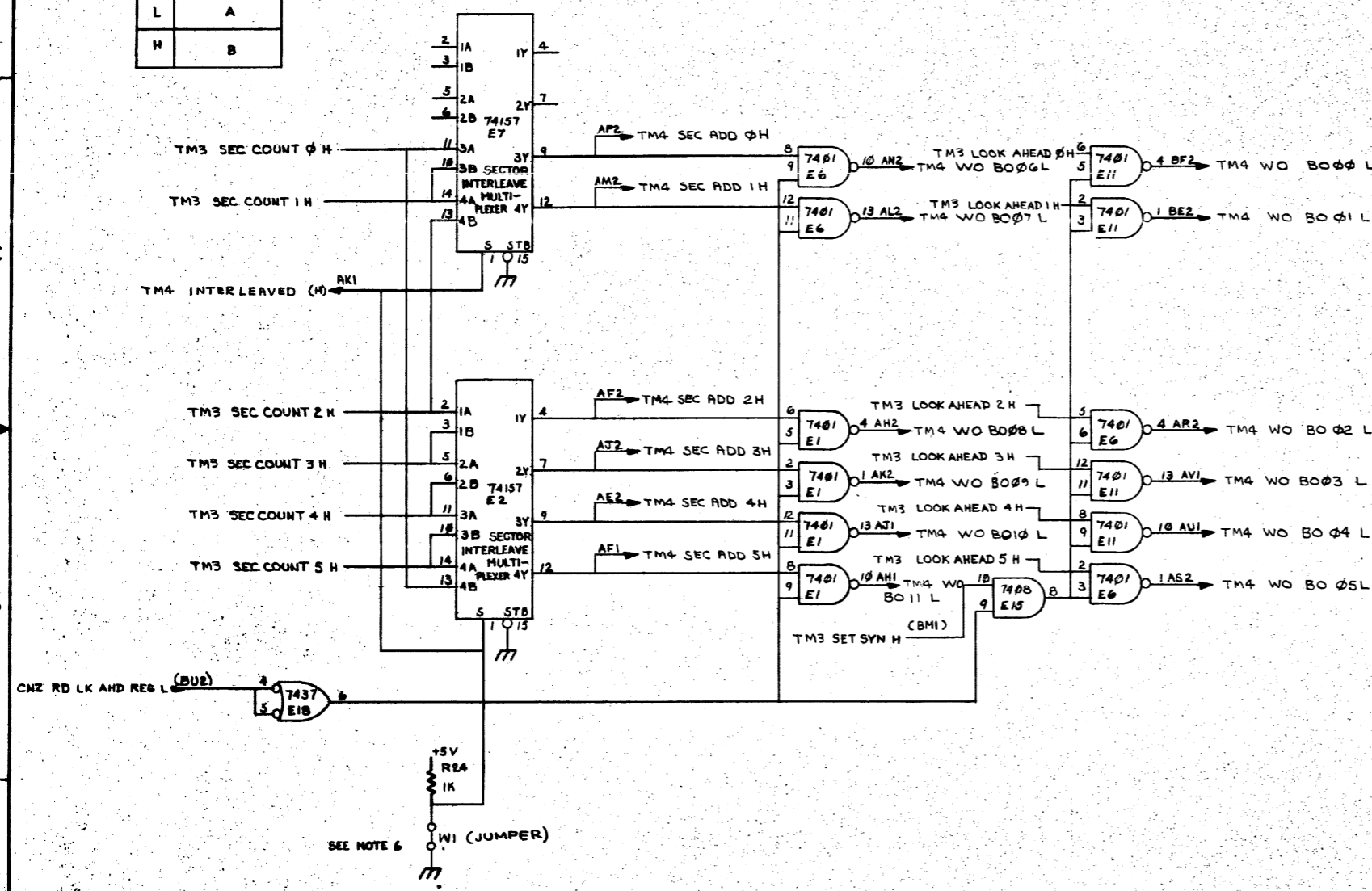
SECTOR BOUNDARY + SECTOR COUNTERS				
TITLE	SIZE CODE	NUMBER	REV.	
TIMING AMP LOGIC (TM3)	D/CS	G092-0-1	K	
SCALE	SHEET 3 OF 5	DIST.		

D/CS G092-0-1 K

"THE DRAWING AND SPECIFICATIONS HEREIN ARE THE PROPERTY OF DIGITAL EQUIPMENT CORPORATION AND SHALL NOT BE REPRODUCED OR COPIED OR USED IN WHOLE OR IN PART AS THE BASIS FOR THE MANUFACTURE OR SALE OF ITEMS WITHOUT WRITTEN PERMISSION OF DIGITAL EQUIPMENT CORPORATION © 1973, DIGITAL EQUIPMENT CORPORATION"

74157 TRUTH TABLE

S	Y
L	A
H	B

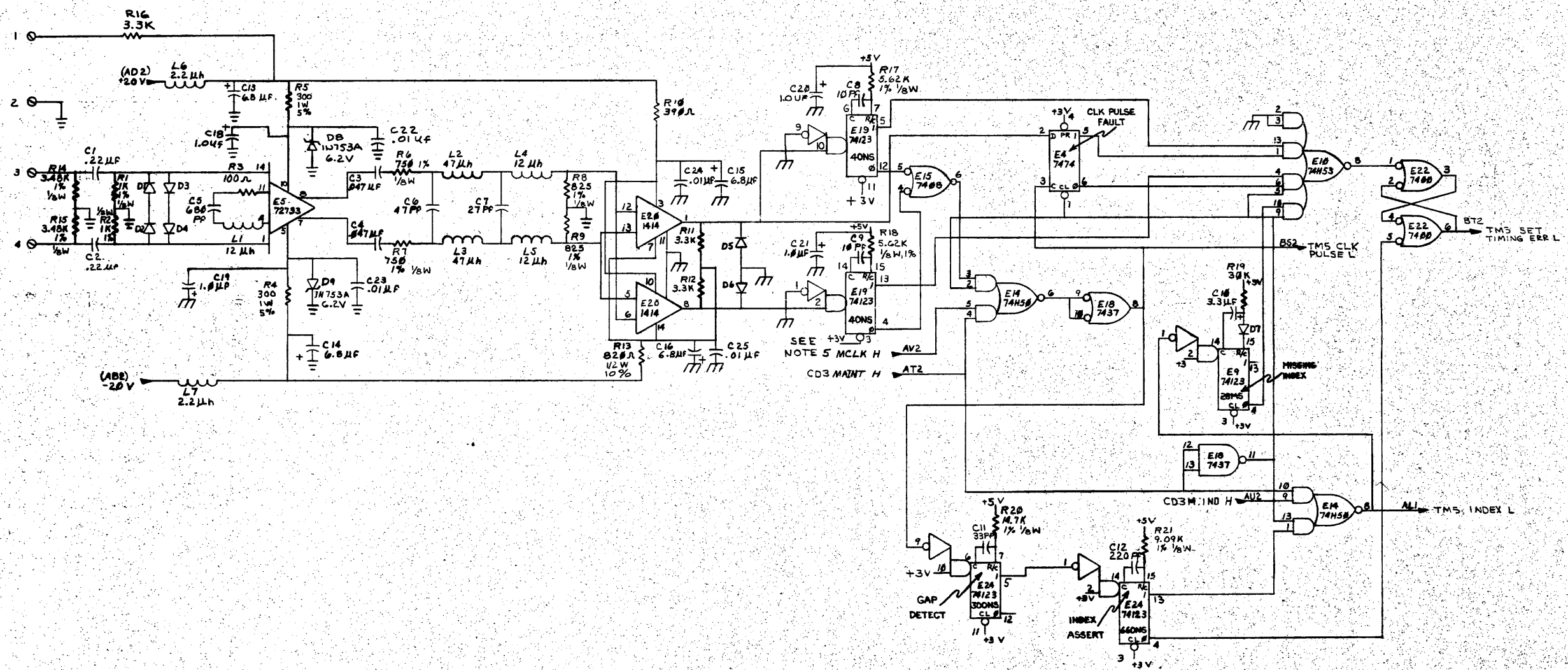


SEE NOTE 6

REVISIONS

CHK	CHANGE NO.	REV.

THE DRAWING AND SPECIFICATIONS HEREIN ARE THE PROPERTY OF DIGITAL EQUIPMENT CORPORATION AND SHALL NOT BE REPRODUCED OR COPIED OR USED IN WHOLE OR IN PART AS THE BASIS FOR THE MANUFACTURE OR SALE OF ITEMS WITHOUT WRITTEN PERMISSION.  
 COPYRIGHT © 1975, DIGITAL EQUIPMENT CORPORATION



REVISIONS		
CHK	CHANGE NO.	REV.

TIMING AMP + TIMING ERROR DETECTION			
TITLE	SIZE CODE	NUMBER	REV.
TIMING AMP LOGIC (TM5)	DCS	G092-0-1	K
SCALE	SHEET	OF	
	1/5	5	

THIS DRAWING AND SPECIFICATIONS, HEREON, ARE THE PROPERTY OF Digital Equipment Corporation and shall not be reproduced or used in whole or in part in any form for the reproduction or sale of other similar equipment.

COPYRIGHT © 1972  
DIGITAL EQUIPMENT CORPORATION

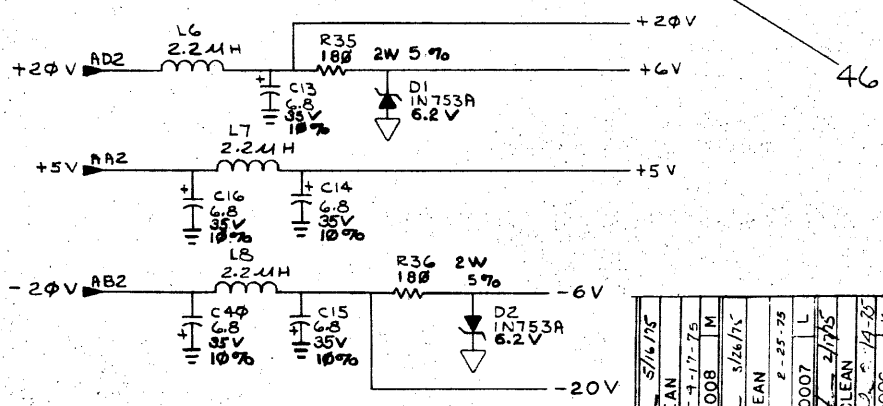
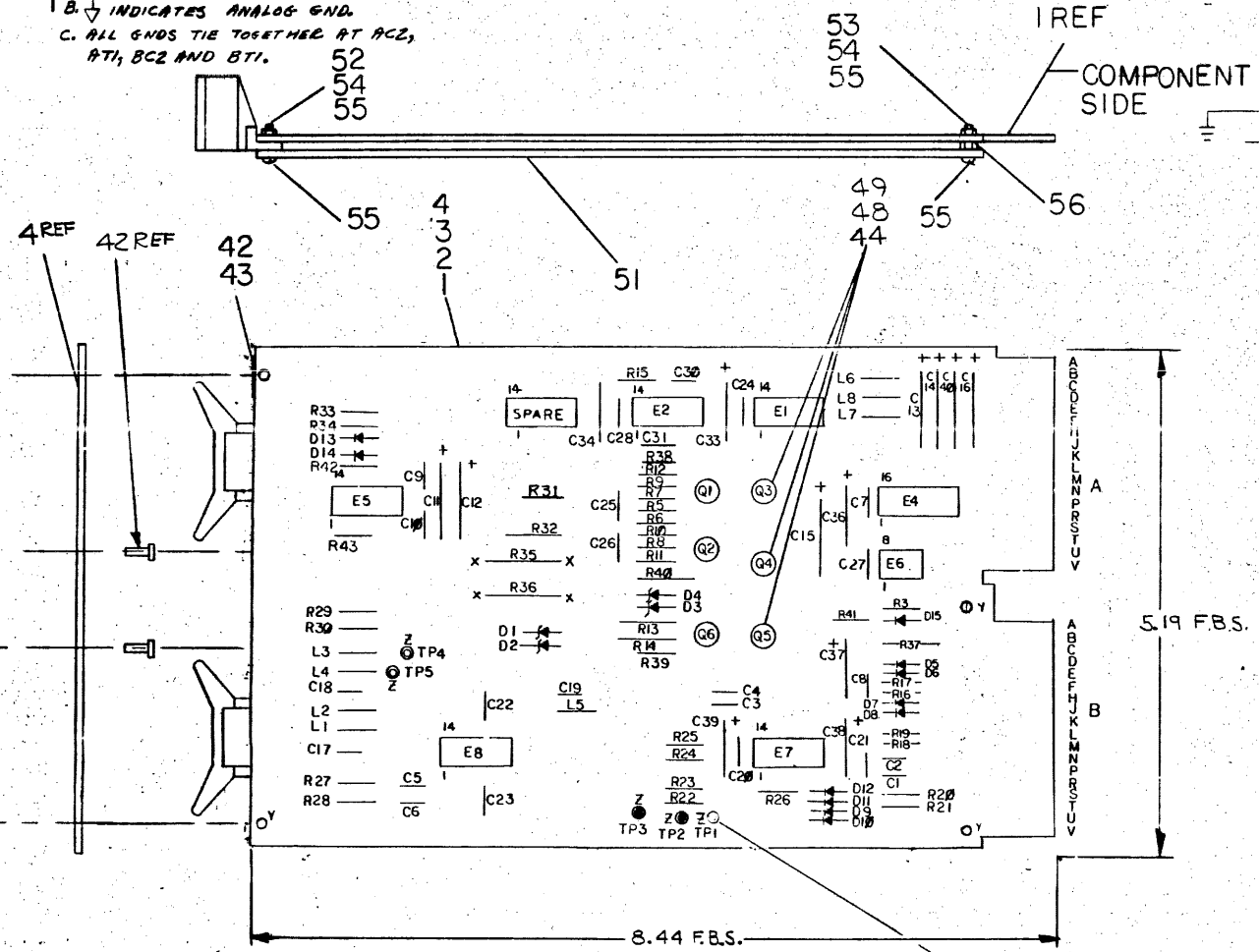
**NOTES:**

UNLESS OTHERWISE NOTED:  
 A. RESISTANCE IS IN OHMS AND RESISTORS ARE  $\pm 1\%$ , MF.  
 B. CAPACITANCE IS IN MICROFARADS.  
 C. DIODES ARE D672

2. A.  $\perp$  INDICATES DIGITAL GND.  
 B.  $\nabla$  INDICATES ANALOG GND.  
 C. ALL GNDS TIE TOGETHER AT PC2,  
 AT1, BC2 AND BT1.

2	NUT, HEX NYLON #2-56	9007263	56
1	D4	DIODE 6.3V 2%	1110986

REF	DESCRIPTION	QTY	REF DESIGNATION	DESCRIPTION	PART NO.	ITEM NO.
REF	X-Y COORDINATE HOLE LOCATION		K-00-0400-B-4			1
REF	ASSY/DRILLING HOLE LAYOUT		D-00-6102-B-5			2
REF	MINOR ECD HISTORY		D-00-6102-B-6			3
1	ETCHED CIRCUIT BOARD		50K2018			4
2	C30, C31		CAP. 220 PF, 100V, 5% DN			5
1	C17		CAP. 47 PF, 100V, 5% DN			6
13	C7-C16, C28-29		CAP. .01 UF, 50V, 20% CER			7
1	C18		CAP. 27 PF, 100V, 5% DN			8
7	C11-C16, C40		CAP. 6.8 UF, 35V, 10% S. TANT			9
1	C19		CAP. 15 PF, 100V, 5% DN			10
1	R13		RESISTOR 22 $\Omega$ 1/2W 10%			11
6	C1-C6		CAP. 1000 PF, 100V 5%			12
2	D1, D2		DIODE IN753A 6.2V ZENER 5%			13
1	D3		DIODE IN748A 3.3V ZENER 5%			14
17	D5-D15		DIODE D672			15
1	R14		RESISTOR 22 $\Omega$ 5%			16
2	R37, R32		RESISTOR 820 $\Omega$ 5%			17
2	R24, R25		RESISTOR 422 $\Omega$ 5%			18
2	R33, R34		RESISTOR 3.3K $\Omega$ 5%			19
2	R3, R39		RESISTOR 1.2K $\Omega$ 5%			20
1	R31		RESISTOR 300 $\Omega$ 5%			21
5	R5, R8, R23		RESISTOR 511, 1/0W, 1% MF			22
4	R9, R10, R20, R21		RESISTOR 1K, 1/0W, 1% MF			23
3	R11, R22, R23		RESISTOR 2.7K, 1/0W, 1% MF			24
2	R15, R30		RESISTOR 100 $\Omega$ 1/4W 5%			25
3	R26, R27, R28		RESISTOR 750 $\Omega$ 1/0W, 1% MF			26
2	R29, R30		RESISTOR 825, 1/0W, 1% MF			27
2	R35, R36		RESISTOR 100 $\Omega$ 5%			28
4	R16, R17, R18, R19		RES 12.1K, 1% 1/0W MF			29
3	Q1, Q2, Q6		TRANSISTOR DEC 8534B			30
3	Q3, Q4, Q5		TRANSISTOR DEC 2218-B			31
2	L1, L2		INDUCTOR 47 $\mu$ H, 210 MA, 10%			32
1	L5		INDUCTOR 100 $\mu$ H, 165 MA, 10%			33
3	L6, L7, L8		INDUCTOR 2.2 $\mu$ H, 760 MA, 10%			34
2	L3, L4		INDUCTOR 12 $\mu$ H, 300 MA, 10%			35
2	R42, R43		RES 21.5K $\Omega$ 1/8W 1%			36
1	E5		IC DEC 1414L			37
1	E6		IC DEC 75451			38
2	E1, E2		IC DEC 74S00			39
1	E4		IC DEC 74S112			40
2	E7, E8		IC DEC 72733			41
4			EYELET			42
2			HANDLE FLIP CHIP GREEN			43
3			TRANS PAD FOR DEC 2218-B			44
1	R40		RESISTOR 1.2K 1/2W, 5%			45
5	TP1-TP6		SOLDER TERMINAL			46
6	C33, C34, C36, C37, C38, C39		CAP 1.0 $\mu$ F, 35V, 10% S. TANT			47
3			TRANSISTOR CAP			48
A/R			PERMA BOND CEMENT			49
1	R41		RES. 10K 1/4W, 5%			50
1			NOISE SHIELD			51
2			SCR. PHL PAN #2-56 X 3/16 LG			52
2			SCR. PHL PAN #2-56 X 3/16 LG			53
4			NUT, HEX #2-56			54
8			WASHER, INT TOOTH LOCK #2-56			55



IC TYPE	QTY	REF	DESCRIPTION
DEC IC 1414L	1	E5	IC DEC 1414L
DEC IC 74S112	1	E4	IC DEC 74S112
DEC IC 75451	1	E6	IC DEC 75451
DEC IC 72733	2	E7, E8	IC DEC 72733

IC PIN LOCATIONS	IC TYPE	GND	+5V	-6V
1	DEC IC 1414L	14	15	16
2	DEC IC 74S112	1	2	3
3	DEC IC 75451	1	2	3
4	DEC IC 72733	1	2	3

FIRST USED ON OPTION MODEL  
RS03/04

PARTS LIST		ETCH BOARD REV		DATE	
DEC NO.	EIA NO.	DEC NO.	EIA NO.	DATE	REV
6672	IN3653			10/19/72	1
SEMICONDUCTOR CONVERSION CHART		SCALE		TITLE	
		1-4		READ WRITE & DETECTION	

**Digital Equipment Corporation**  
 MATHEWASH, MASSACHUSETTS

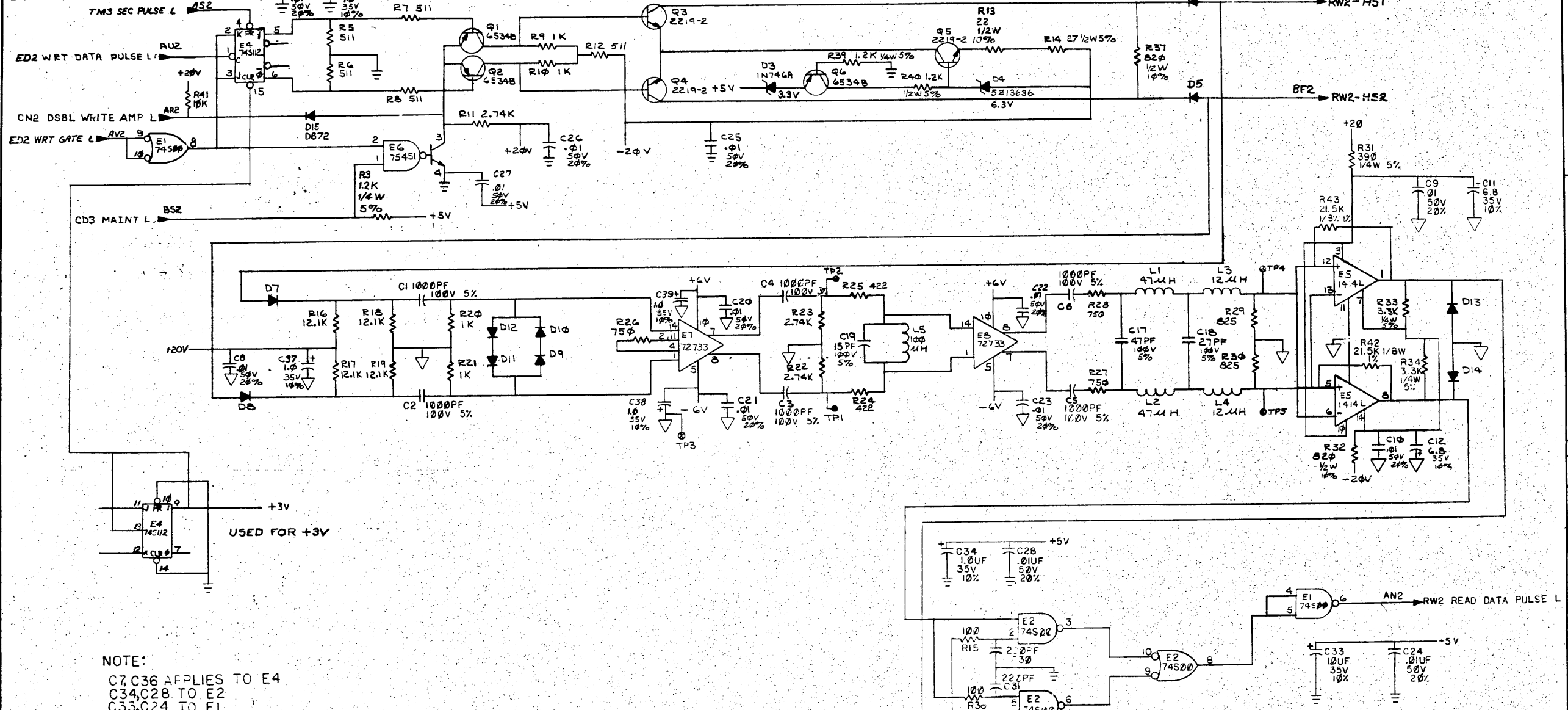
**READ WRITE & DETECTION**

DRM: K. DAVIS  
 DATE: 10/19/72  
 CHW: J. BOGEMAN  
 DATE: 10/20/72  
 E.S. CHI  
 DATE: 11/1/72  
 PRO. ENG.  
 DATE: 11/1/72  
 PROD.  
 DATE: 11/1/72

SIZE CODE: DCS G182-0-1  
 NUMBER: 1  
 REV: M

The drawing and specifications herein are the property of Digital Equipment Corporation and shall not be reproduced or copied in whole or in part or the name for the manufacture or sale of items without written permission.

COPYRIGHT © 1972  
DIGITAL EQUIP CORR.



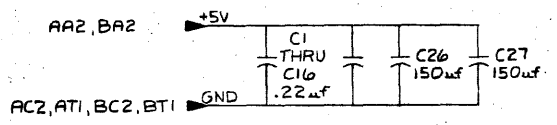
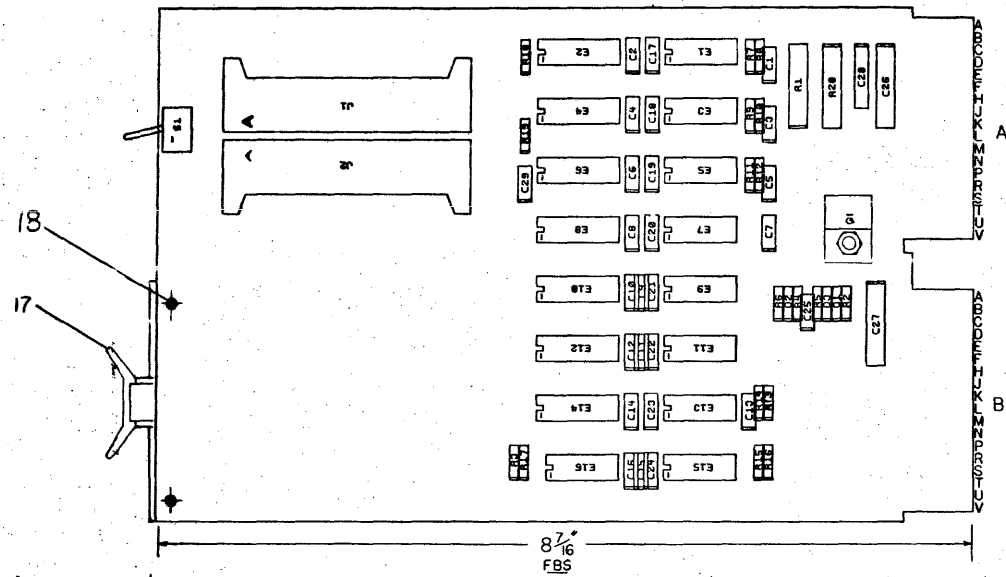
NOTE:  
C7,C36 APPLIES TO E4  
C34,C28 TO E2  
C33,C24 TO E1

REV	NO	DATE
1	1	12/13/72
2	1	12/13/72
3	1	12/13/72

FIRST USED ON OPTION/MODEL RS03/04		QTY.	DESCRIPTION	PART NO.	ITEM NO.
UNLESS OTHERWISE SPECIFIED DIMENSION IN INCHES. TOLERANCES		DRN K. DAVIS	DATE 12/13/72	PARTS LIST	
DECIMALS	ANGLES	CHKD J. Freeman	DATE 12/13/72	digital EQUIPMENT CORPORATION MAYNARD MASSACHUSETTS	
.XXX - .000	±0° 30'	ENG S. Chi	DATE 12/13/72	TITLE READ WRITE & DETECTION (RW2)	
REMOVE BURRS AND BREAK SHARP CORNERS SURFACE QUALITY		PROJ. ENG. S. Chi	DATE 12/13/72	MATERIAL NEXT HIGHER ASSY.	
FINISH		PROD. W. Sullivan	DATE 12/13/72	E-AD-7009236-0-0	
SCALE		SIZE CODE DCS G182-0-1		NUMBER 1	REV. M
SHEET 2 OF 2		DIST.			

Copyright © 1973  
DIGITAL EQUIP. CORP.

**NOTES:**



DEC 75107B	13	7	14
DEC 75108B	13	7	14
DEC 75113	-	8	16
IC TYPE	-5V	GND	+5V
GND AND +5V ARE USUALLY PIN 7 AND 14 RESPECTIVELY EXCEPTS ARE STATED ABOVE			
IC PIN LOCATIONS			

T. SAMBACH  
 3-18-72  
 M5903-00004J  
 D. POTTER  
 4-29-74  
 M5903-00003H  
 D. POTTER  
 M5903-00002F  
 7 JAN 74  
 D. POTTER  
 1/E74  
 M5903-00001E  
 ORIGINATED D  
 CHG CHANGE NO. REV

REF	QTY	REF DESIGNATION	DESCRIPTION	PART NO.	ITEM NO.
			X-Y COORDINATE HOLE LOCATION	D-AM-M5903-0-4	1
			ASSY/DRILLING HOLE LAYOUT	D-AM-M5903-0-5	2
			MODULE ECO HISTORY	B-MM-M5903-0-4	3
			ETCHED CIRCUIT BOARD	5010502	4
26	1	C1 THRU C25, C29	CAP. .22 uF 50V 20%	1010274	5
	1	C28	CAP. 68 uF 35V 10%	1005306	6
	1	D1	DIODE 1N4733A 5.1V	1109943	7
	2	D2, D3	DIODE D672	1105275	8
					9
	2	R4, R18	RES. 330 1/4W 5%	1300295	10
	2	R5, R19	RES. 750 1/4W 5%	1301401	11
	1	R6	RES. 4.7K 1/4W 5%	1300447	12
	2	J1, J2	CONN. SCOTCH FLEX 3432-1002	1209941-02	13
					14
	7	E2, E4, E6, E8, E10, E12, E14	I.C. DEC 75113	1911341	15
	9	E1, 3, 5, 7, 9, 11, 13, 15, 16	I.C. DEC 75108B	1910725	16
	1		HANDLE FLIP CHIP, MAGENTA	9008337-6	17
	2		EYELET	9006732	18
					19
					20
	2	C26, C27	CAP 150 uF 6V 20%	1005572	21
	1	S1	SWITCH	1210209	22
	2	R1, R20	RES 68, 2W, 5%	1302308	23
	1	R2	RES, 470, 1/4 W, 5%	1300316	24
	1	Q1	TRANS 245H8C	1510708-01	25
	1		SCREW PH. #4-40 X 1/4	9008301-01	26
	1		NUT, KEP 4-40	9006557	27
	12	R3, R7 -R17	RES, 33K, 1/4 W, 5%	1300439	28
	4		LEFT LATCH	1209941-03	29
	4		RIGHT LATCH	1209941-04	30
A/R			THERMAL COMPOUND	9008268	31

FIRST USED ON OPTION MODEL: RH11

ETCH BOARD REV: H

SEMICONDUCTOR CONVERSION CHART

DRIVE TRANSCIVER

EQUIPMENT CORPORATION

DATE: 1/13/74

SCALE: NONE

SHEET 3 OF 2

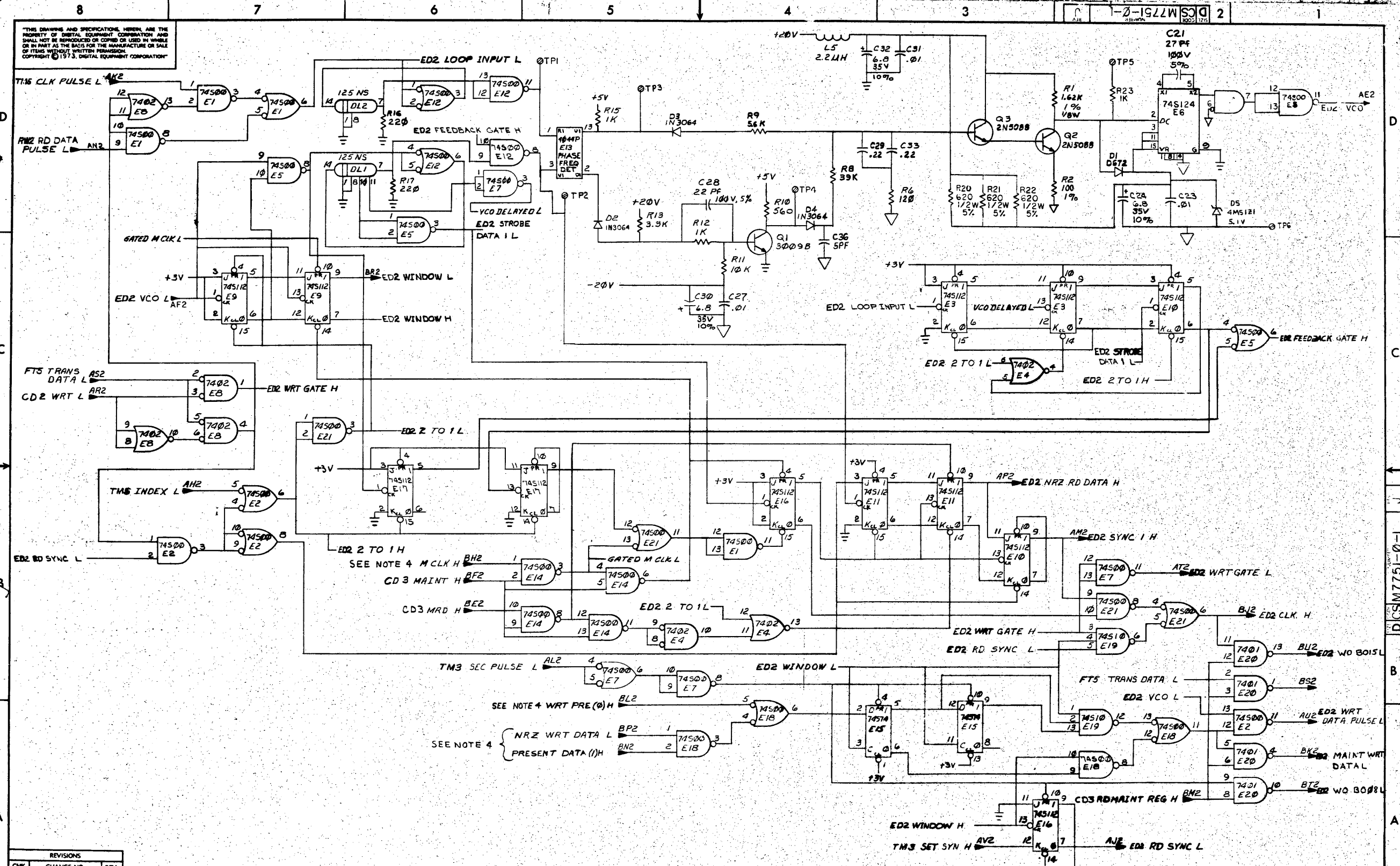
REV: 1







THIS DRAWING AND SPECIFICATIONS HEREIN ARE THE PROPERTY OF DIGITAL EQUIPMENT CORPORATION AND SHALL NOT BE REPRODUCED OR COPIED OR USED IN WHOLE OR IN PART AS THE BASIS FOR THE MANUFACTURE OR SALE OF ITEMS WITHOUT WRITTEN PERMISSION. COPYRIGHT © 1973, DIGITAL EQUIPMENT CORPORATION



REVISIONS		
CHK	CHANGE NO.	REV.

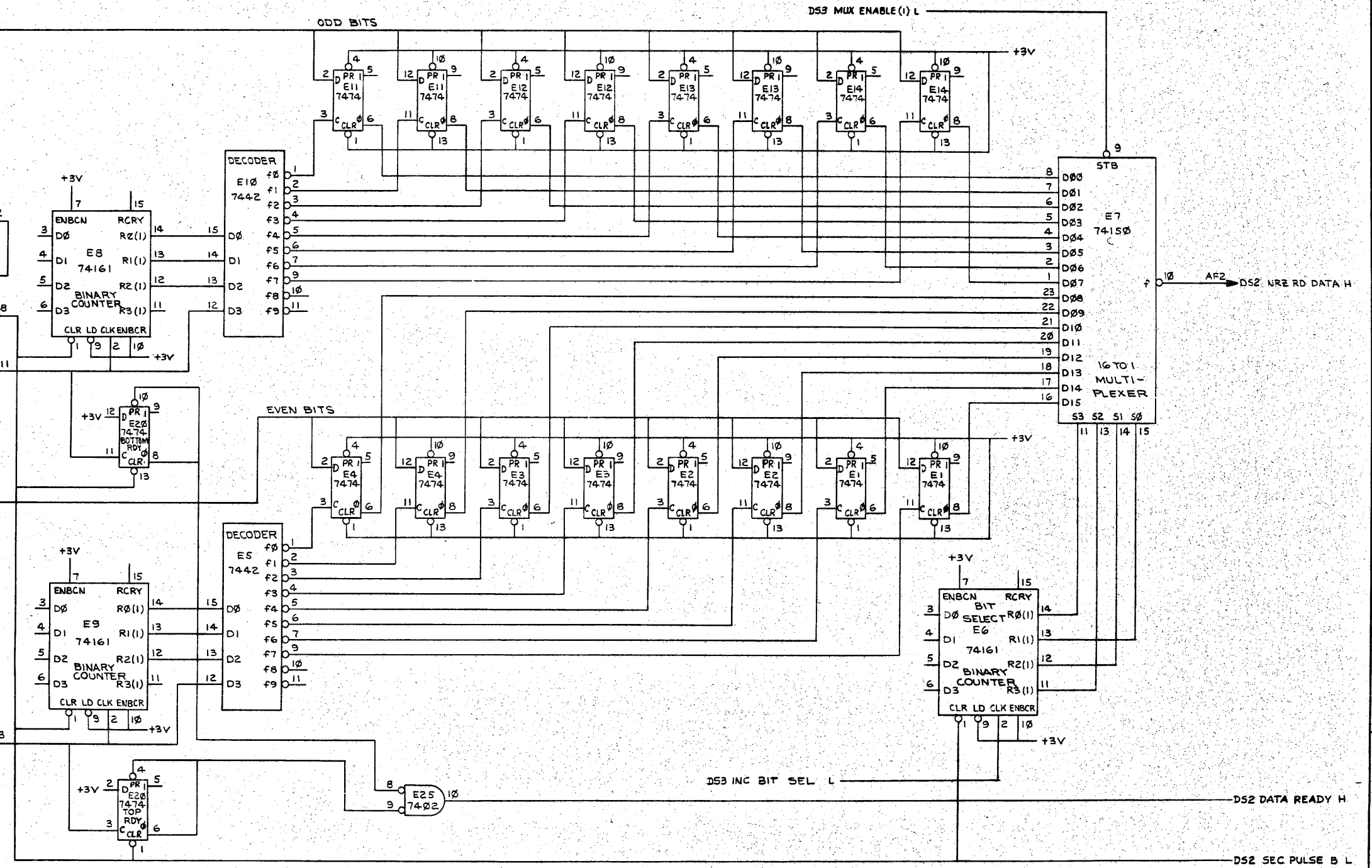


"THIS DRAWING AND SPECIFICATIONS, HEREIN, ARE THE PROPERTY OF DIGITAL EQUIPMENT CORPORATION AND SHALL NOT BE REPRODUCED OR COPIED OR USED IN WHOLE OR IN PART AS THE BASIS FOR THE MANUFACTURE OR SALE OF ITEMS WITHOUT WRITTEN PERMISSION. COPYRIGHT © 1973, DIGITAL EQUIPMENT CORPORATION"

ED2 NR2 RD DATA H AU  
(BOTTOM SURFACE)

ED2 1 NR2 RD DATA H AE2  
(TOP SURFACE)

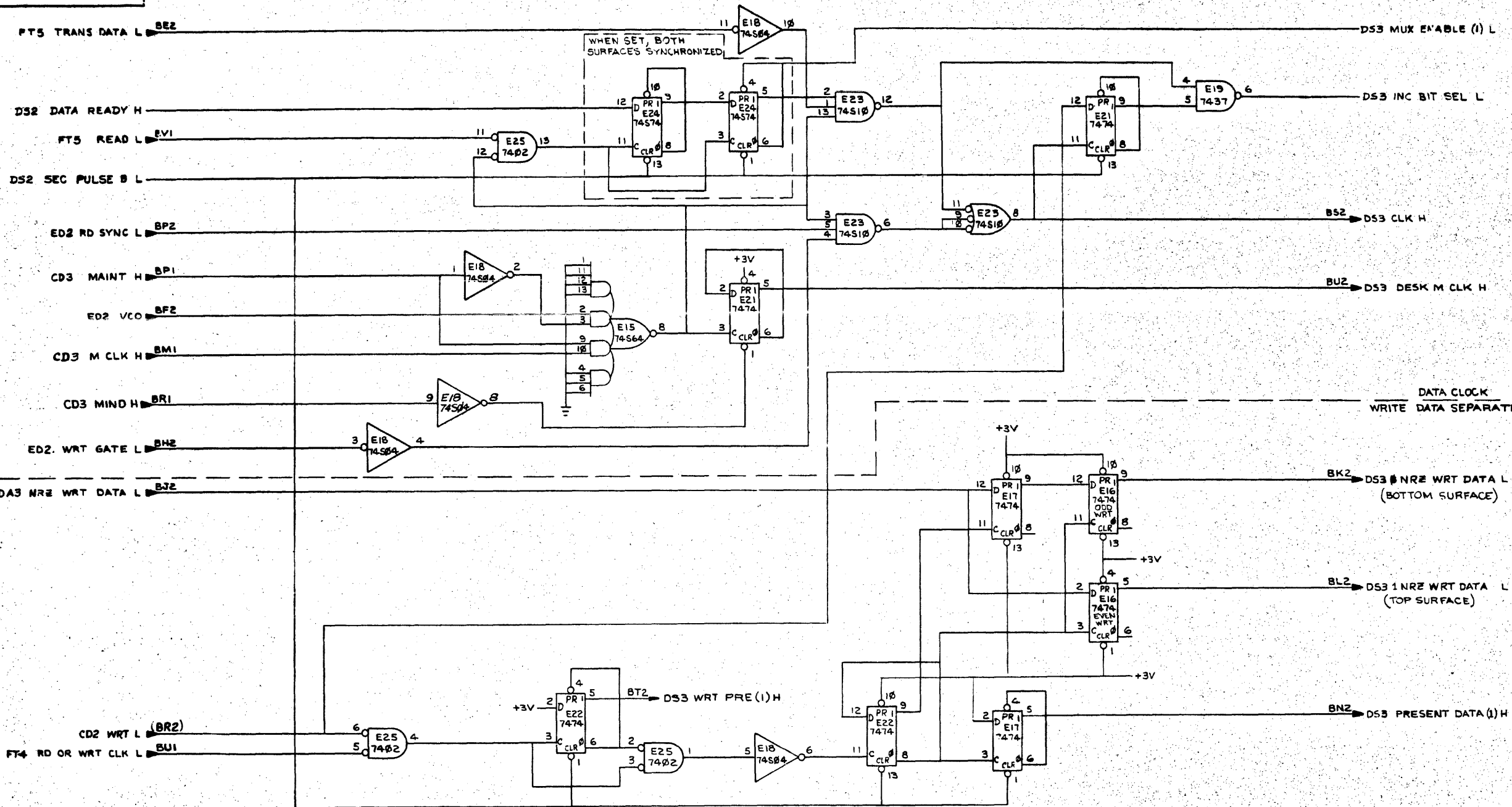
REVISIONS		
CHK	CHANGE NO	REV



TITLE		RS04 DESKEW (DS2)		SIZE CODE	D CS	NUMBER	M7752-0-1	REV.	B
SCALE	+	SHEET	2	OF	3	DIST.			

DCS M7752-0-1 B

THIS DRAWING AND SPECIFICATIONS HEREON ARE THE PROPERTY OF DIGITAL EQUIPMENT CORPORATION AND SHALL NOT BE REPRODUCED OR COPIED OR USED IN WHOLE OR IN PART AS THE BASIS FOR THE MANUFACTURE OR SALE OF ITEMS WITHOUT WRITTEN PERMISSION. COPYRIGHT © 1978, DIGITAL EQUIPMENT CORPORATION.

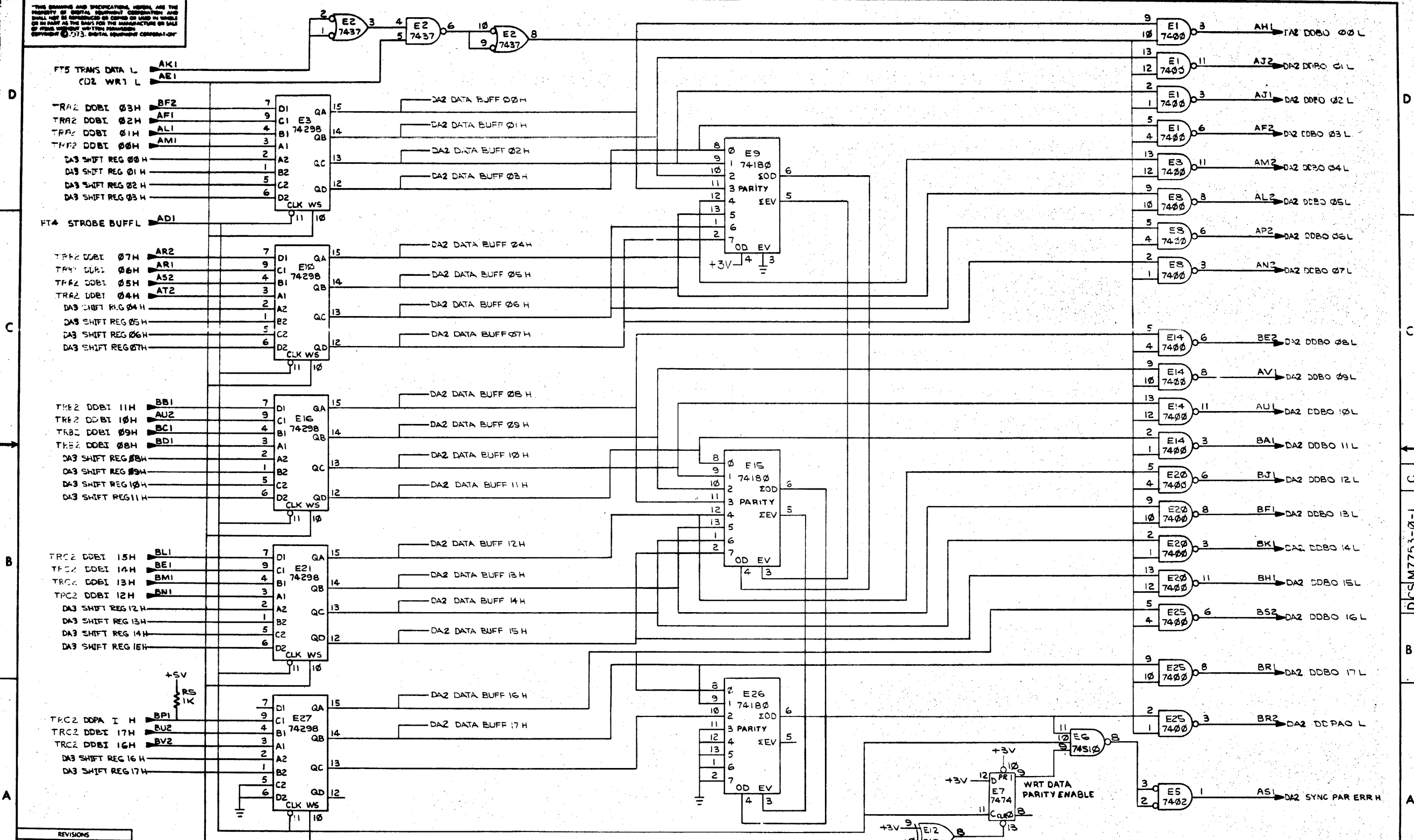


REVISIONS		
CHK	CHANGE NO.	REV.

TITLE		SIZE CODE	NUMBER	REV.
RS04 DESKEW (DS3)		D/CS	M7752-0-1	B
SCALE	SHEET	OF		
	3	3		



THIS DRAWING AND SPECIFICATIONS, HEREIN AND THE PROPERTY OF DIGITAL EQUIPMENT CORPORATION AND SHALL NOT BE REPRODUCED OR COPIED OR USED IN WHOLE OR IN PART AS THE BASIS FOR THE MANUFACTURE OR SALE OF ITEMS UNLESS WRITTEN PERMISSION IS OBTAINED FROM DIGITAL EQUIPMENT CORPORATION.



REVISIONS		
CHK	CHANGE NO.	REV

TITLE		SIZE CODE	NUMBER	REV.
DATA REGISTER (DA2)		D CS	M7753-0-1	C
SCALE	SHEET 2 OF 3	DIST.		



"THE DRAWING AND SPECIFICATIONS HEREIN ARE THE PROPERTY OF DIGITAL EQUIPMENT CORPORATION AND SHALL NOT BE REPRODUCED OR COPIED IN WHOLE OR IN PART AS THE BASIS FOR THE MANUFACTURE OF SALE OF ITEMS WITHOUT WRITTEN PERMISSION. COPYRIGHT © 1972, DIGITAL EQUIPMENT CORPORATION"

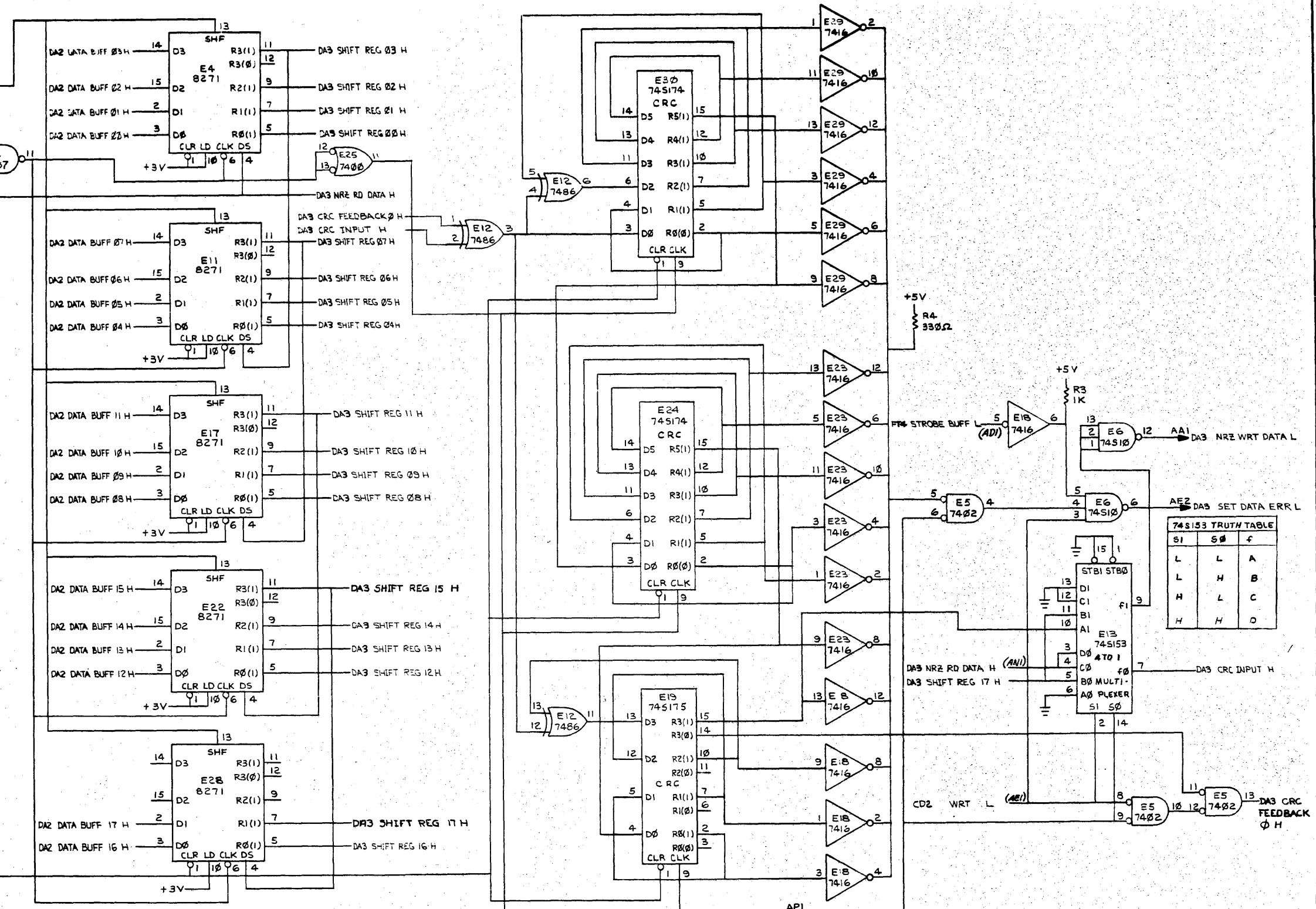
FT4 LOAD SR L AC1  
 FT4 RD OR WRT CLK L AB1  
 SEE NOTE 2 NR2 RD DATA H AN1

**8271 TRUTH TABLE**

CONTROL STATE	SHF
PARALLEL ENTRY	L
SHIFT RIGHT	H

REVISIONS

CHK	CHANGE NO.	REV.



**74S153 TRUTH TABLE**

S1	S0	f
L	L	A
L	H	B
H	L	C
H	H	D

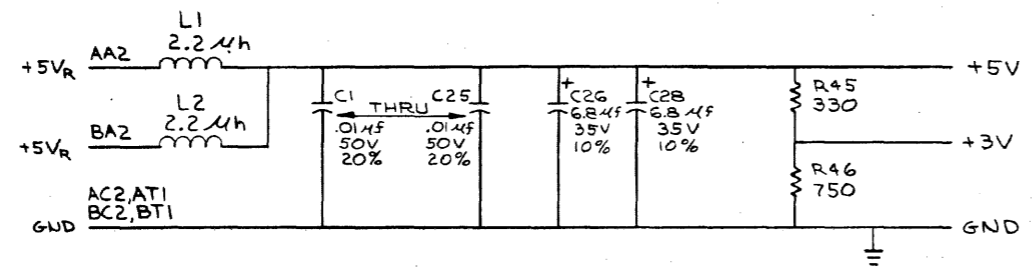
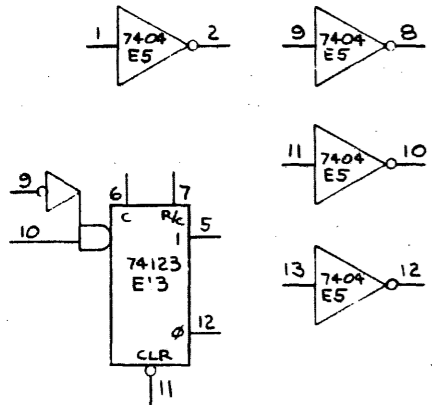
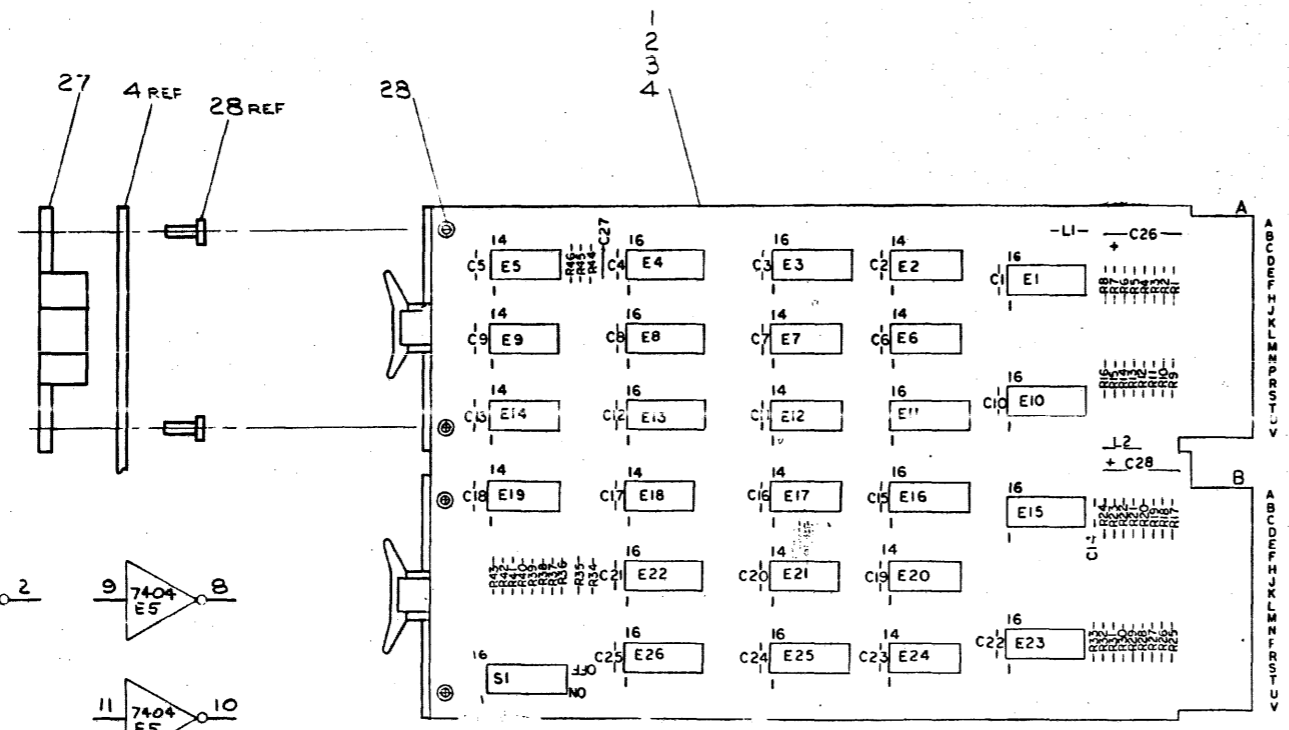
**DATA SHIFT REGISTER AND CRC REGISTER**

TITLE	SIZE/SCALE	NUMBER	REV.
DATA REGISTER (DA3)	DCS	M7753-0-1	C
SCALE	SHEET 3 OF 3	DIST.	

**NOTES:**

UNLESS OTHERWISE SPECIFIED  
 1. ALL RESISTORS ARE IN OHMS = 5% 1/4W

COPYRIGHT © 1973  
 DIGITAL EQUIP CORP



IC TYPE	QTY	REF	DESCRIPTION	PART NO.	ITEM NO.
7485	8	16			
74161	8	16			
74123	8	16			
74173	8	16			
IC TYPE		GND	+5V		

GND AND 5V ARE USUALLY PIN 7 AND 14  
 RESPECTIVELY EXCEPTIONS ARE STATED ABOVE

**IC PIN LOCATIONS**

QTY	REF DESIGNATION	DESCRIPTION	PART NO.	ITEM NO.
4		EYELET	9006732-0-0	28
2		HANDLE, FLIP CHIP, MAGENTA	9008337-0-0	27
1	S1	SWITCH,ROCKER,DUAL INLINE	121164-4-0	26
1	R44	RES, 5.6K 1/4W ±5%	1301874-0-0	25
16	R29THRU R32 R21THRU R24 R13THRU R16			
16	R5THRU R8	RES, 3.3K 1/4W ±5%	1300439-0-0	24
1	R46	RES, 750Ω 1/4W ±5%	1301401-0-0	23
1	R45	RES, 330Ω 1/4W ±5%	1300295-0-0	22
2	R34,R35	RES, 10K 1/4W ±5%	1300479-0-0	21
	R36THRU R43 R25,R26,R27,R28,R33 R12,R17,R18,R19,R20			
25	R1,R2,R3,R4,R9,R10,R11	RES, 1K 1/4W ±5%	1300365-0-0	20
2	L1,L2	INDUCTOR, 2.2UH ±10%	1609756-0-0	19
2	E7,E21	I.C., 74180	1910724-0-0	18
4	E1,E10,E15,E23	I.C., 74173	1911330-0-0	17
1	E13	I.C., 74123	1910436-0-0	16
4	E3,E11,E16,E25	I.C., 74161	1910650-0-0	15
4	E4,E8,E22,E26	I.C., 7485	1910224-0-0	14
2	E12,E17	I.C., 74H52	1909061-0-0	13
1	E9	I.C., 7437	1910091-0-0	12
1	E14	I.C., 7410	1905576-0-0	11
1	E19	I.C., 7408	1910155-0-0	10
2	E5,E18	I.C., 7404	1909686-0-0	9
4	E20,E24,E2,E6	I.C., 7401	1905590-0-0	8
2	C26,C28	CAP, 6.8UF 35V ±10% STANT	1005306-0-0	7
25	C1THRU C25	CAP, .01UF 50V ±20% CER	1001610-0-0	6
1	C27	CAP, 33PF 100V ±5% DM	1000209-0-0	5
1		ETCH CIRCUIT BOARD	5010154	4
REF		MODULE ECO HISTORY	B-MH-M7754-0-6	3
REF		ASSY/DRILLING HOLE LAYOUT	D-AH-M7754-0-5	2
REF		X-Y COORDINATE HOLE LOCATION	K-CO-M7754-0-4	1

FIRST USED ON OPTION MODEL  
 RS03/04

ETCH BOARD REV C

REVISIONS

CHK	CHANGE NO.	REV

DEC NO. EIA NO. DEC NO. EIA NO.

SCALE SHEET 1 OF 3

SEMICONDUCTOR CONVERSION CHART

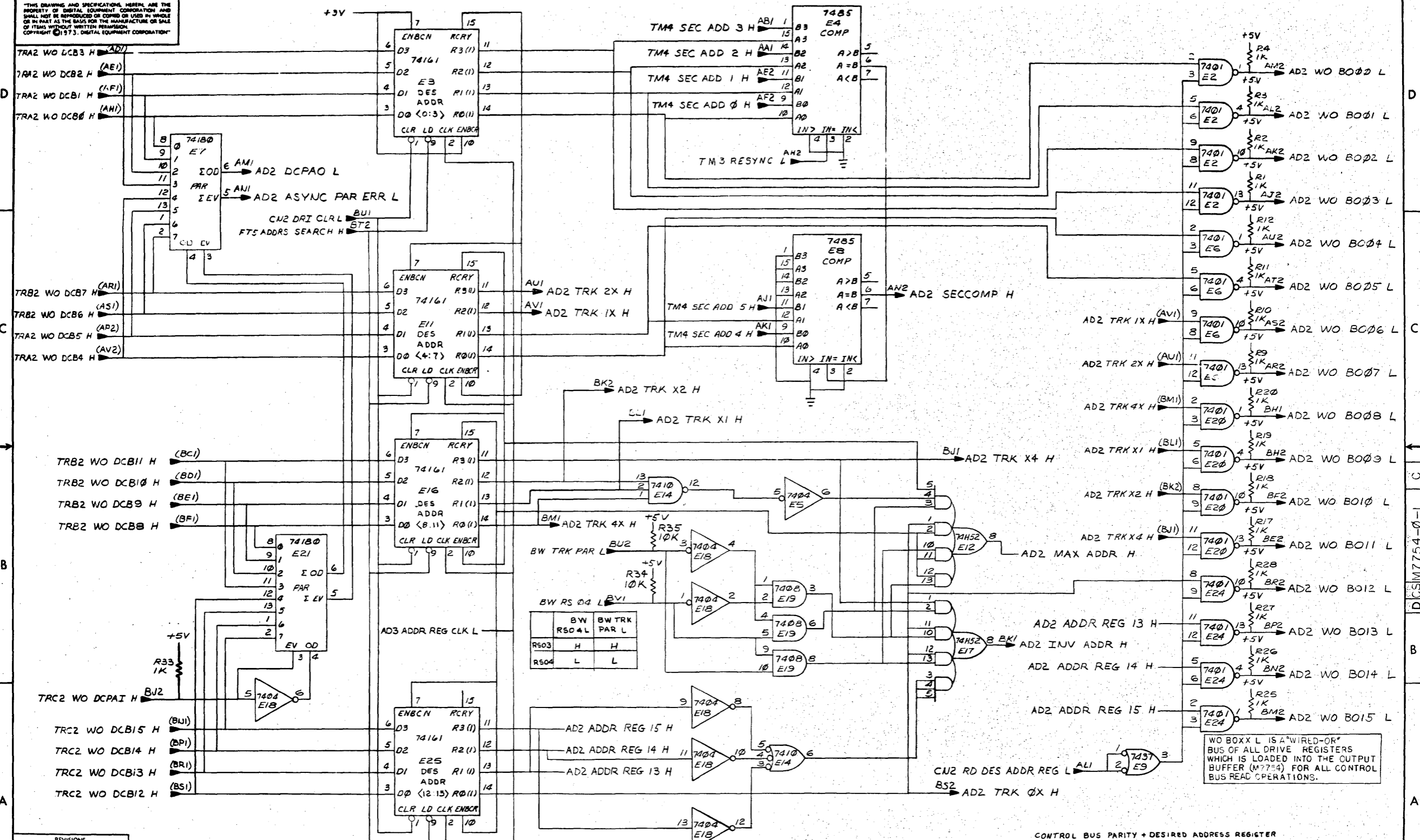
DATE 5-7-73  
 DATE 7-23-73  
 DATE 7/24/73  
 DATE 7/24/73  
 DATE 7/24/73

digital EQUIPMENT CORPORATION  
 BAYBURY, MASSACHUSETTS

TITLE  
**ADDRESS REGISTER**

SIZE CODE NUMBER REV.  
 DCS M7754-0-1 C

THIS DRAWING AND SPECIFICATIONS HEREIN ARE THE PROPERTY OF DIGITAL EQUIPMENT CORPORATION AND SHALL NOT BE REPRODUCED OR COPIED OR USED IN WHOLE OR IN PART AS THE BASIS FOR THE MANUFACTURE OR SALE OF ITEMS WITHOUT WRITTEN PERMISSION. COPYRIGHT © 1973, DIGITAL EQUIPMENT CORPORATION.



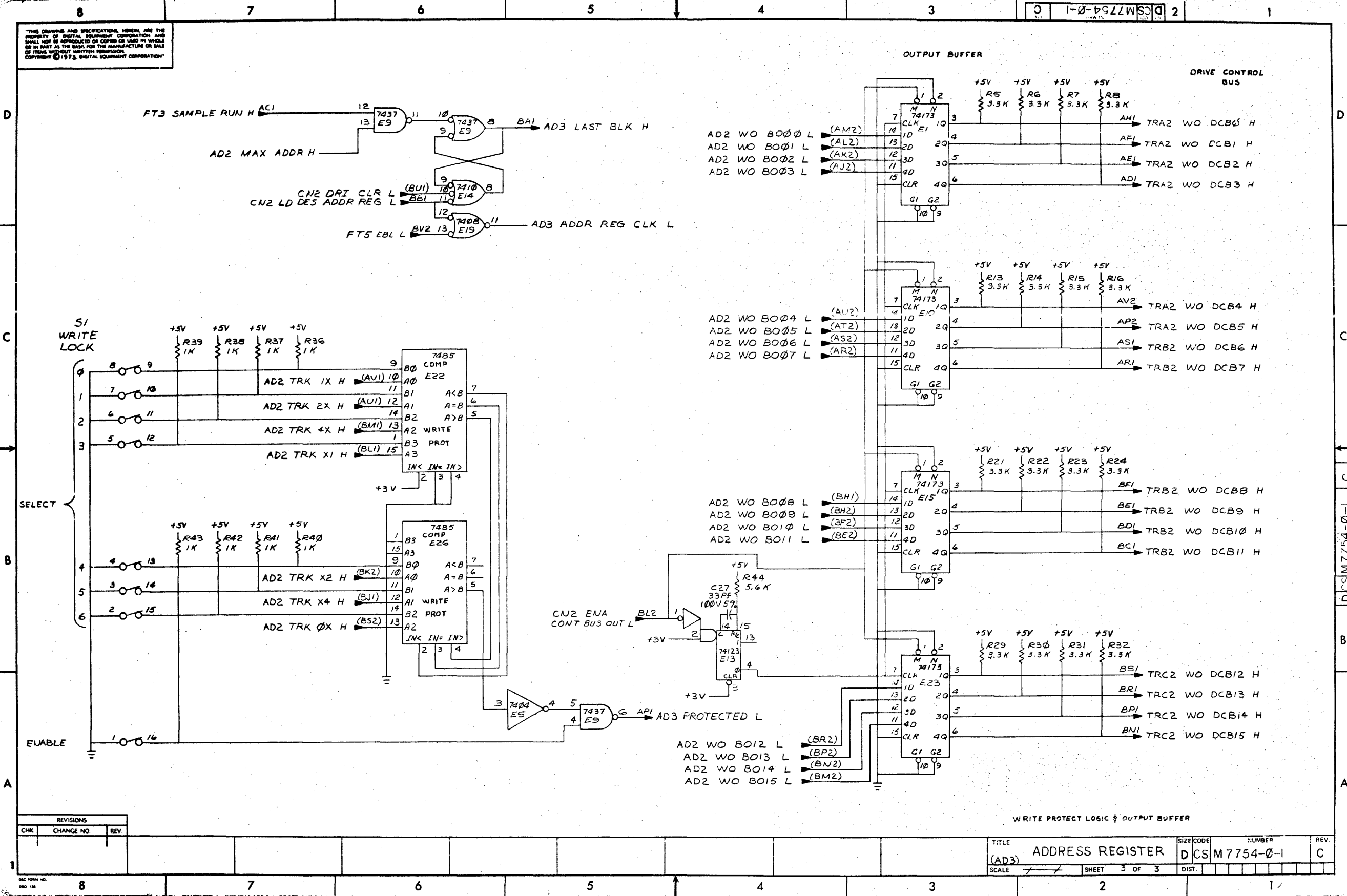
WO BOXX L IS A "WIRED-OR" BUS OF ALL DRIVE REGISTERS WHICH IS LOADED INTO THE OUTPUT BUFFER (M7754) FOR ALL CONTROL BUS READ OPERATIONS.

CONTROL BUS PARITY + DESIRED ADDRESS REGISTER

REVISIONS		
CHK	CHANGE NO	REV.

TITLE	(AD2) ADDRESS REGISTER	SIZE CODE	D	NUMBER	CSM7754-0-1	REV.	C
SCALE	1:1	SHEET	2	OF 3	DIST.		

THIS DRAWING AND SPECIFICATIONS HEREIN ARE THE PROPERTY OF DIGITAL EQUIPMENT CORPORATION AND SHALL NOT BE REPRODUCED OR COPIED OR USED IN WHOLE OR IN PART AS THE BASIS FOR THE MANUFACTURE OR SALE OF ITEMS WITHOUT WRITTEN PERMISSION. COPYRIGHT © 1973, DIGITAL EQUIPMENT CORPORATION.

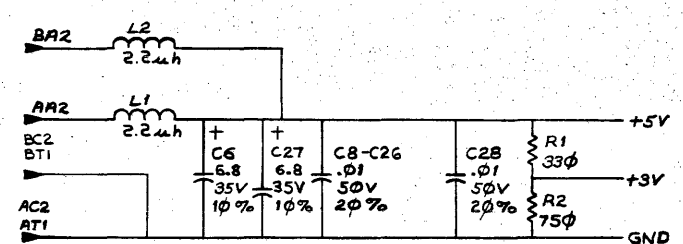
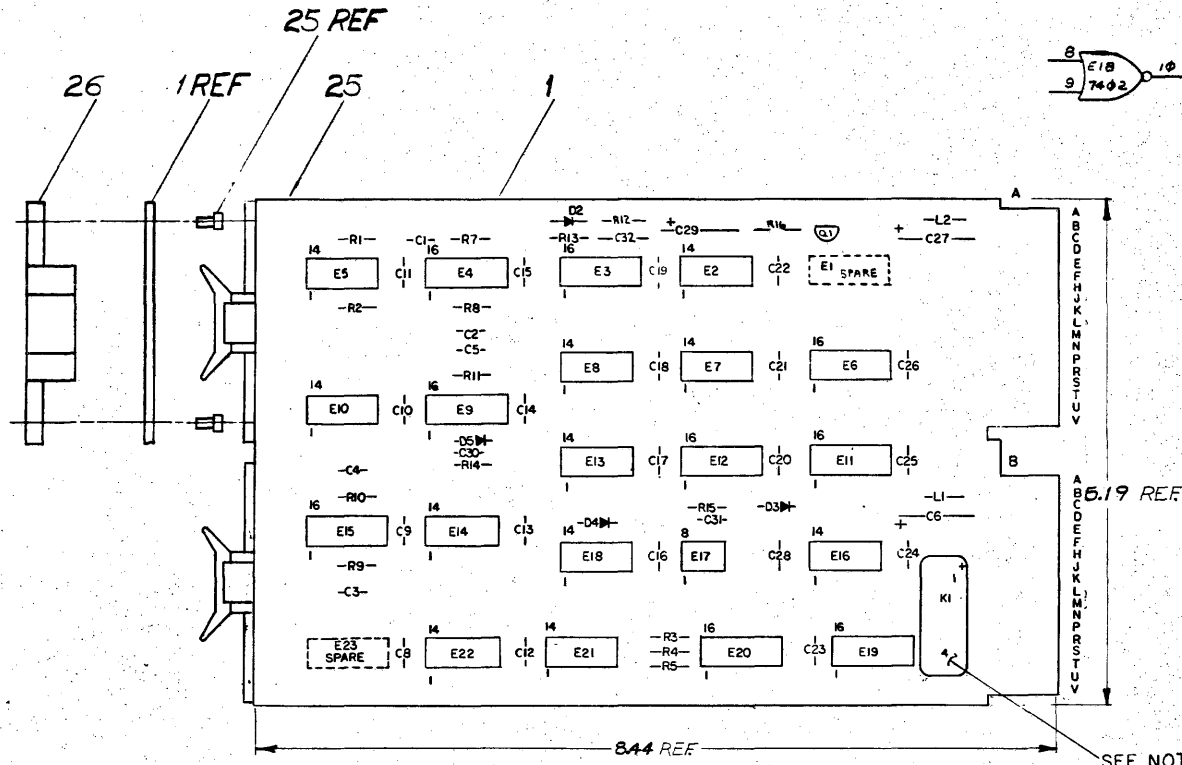


REVISIONS		
CHK	CHANGE NO.	REV.

TITLE	ADDRESS REGISTER	SIZE CODE	DCS M7754-0-1	NUMBER	C	REV.	
SCALE		SHEET	3 OF 3	DIST.			

**NOTES:**

- 1. UNLESS OTHERWISE SPECIFIED:
- A. RESISTANCE IS IN OHMS
- B. RESISTORS ARE 5% 1/4 WATT
- C. CAPACITORS ARE IN  $\mu F$  AND ARE 100V  $\pm 5\%$
- 2. SWITCH (E20 SW1) IS NOT TRI-IMMERSIBLE MUST BE HAND INSERTED AFTER TRI-BATH.
- 3. USING TAPE (ITEM 36) COVER THE TOP OF RELAY (K1).



75453	4	8
7485	8	16
7442	8	16
74123	8	16
IC TYPE	GND	+ 5V
GND AND 5V ARE USUALLY PIN 7 AND 14 RESPECTIVELY. EXCEPTIONS ARE STATED ABOVE.		
IC PIN LOCATIONS		

1	2	3	4	5	6	7	8
P. McLEAN	P. McLEAN	P. McLEAN	P. McLEAN	P. McLEAN	P. McLEAN	P. McLEAN	P. McLEAN
7/11/74	7/11/74	7/11/74	7/11/74	7/11/74	7/11/74	7/11/74	7/11/74
M7755-0000365A	M7755-0000365A	M7755-0000365A	M7755-0000365A	M7755-0000365A	M7755-0000365A	M7755-0000365A	M7755-0000365A
T.F. FAVA	T.F. FAVA	T.F. FAVA	T.F. FAVA	T.F. FAVA	T.F. FAVA	T.F. FAVA	T.F. FAVA
D. MILLEY	D. MILLEY	D. MILLEY	D. MILLEY	D. MILLEY	D. MILLEY	D. MILLEY	D. MILLEY
N. FIELD	N. FIELD	N. FIELD	N. FIELD	N. FIELD	N. FIELD	N. FIELD	N. FIELD
M7755-00002	M7755-00002	M7755-00002	M7755-00002	M7755-00002	M7755-00002	M7755-00002	M7755-00002
T.F. FAVA	T.F. FAVA	T.F. FAVA	T.F. FAVA	T.F. FAVA	T.F. FAVA	T.F. FAVA	T.F. FAVA
M7755-00001	M7755-00001	M7755-00001	M7755-00001	M7755-00001	M7755-00001	M7755-00001	M7755-00001
REVISIONS	REVISIONS	REVISIONS	REVISIONS	REVISIONS	REVISIONS	REVISIONS	REVISIONS
CHG	CHG	CHG	CHG	CHG	CHG	CHG	CHG
NO.	NO.	NO.	NO.	NO.	NO.	NO.	NO.
DATE	DATE	DATE	DATE	DATE	DATE	DATE	DATE
BY	BY	BY	BY	BY	BY	BY	BY
REV	REV	REV	REV	REV	REV	REV	REV
F	F	F	F	F	F	F	F

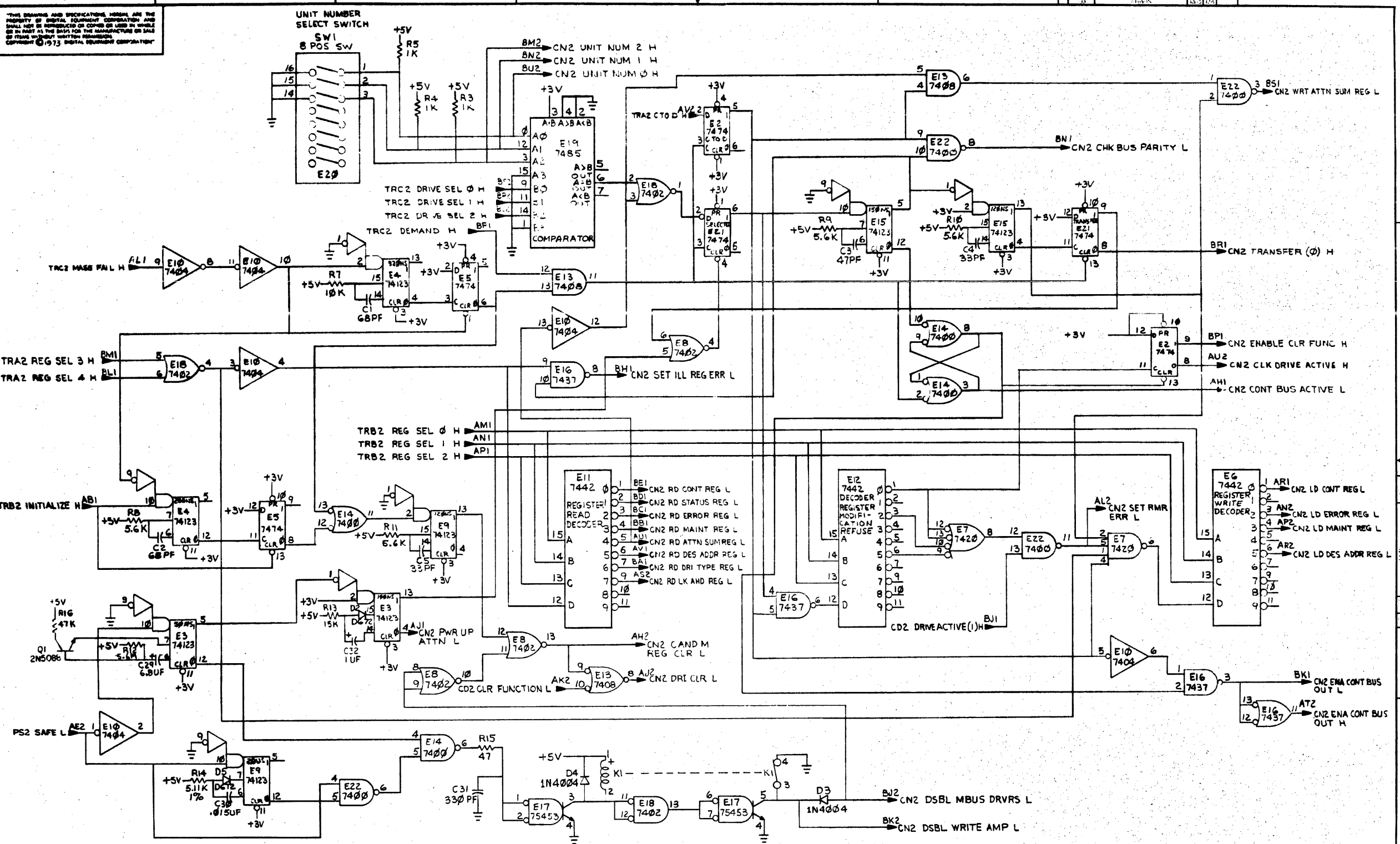
FIRST USED ON OPTION MODEL  
RS03/04

REF	DESIGNATION	DESCRIPTION	PART NO.	ITEM NO.
REF		X-Y COORDINATE HOLE LOCATION	K-CD-M7755-0-4	REF
REF		ASSY. DRILLING HOLE LAYOUT	D-M-M7755-0-5	REF
REF		MODULE ECD HISTORY	B-M-M7755-0-6	REF
1		ETCHED CIRCUIT BOARD	9010190	1
2	C4, C5	CAP 33PF 100V 5% DN	1000000	2
1	C3	CAP 47PF 100V 5%	1000011	3
2	C1, C2	CAP 68 PF 100V 5%	1000014	4
20	C8 - C26, C28	CAP .01UF 50V 20%	1001610	5
3	C6, C27, C29	CAP 6.8UF 35V 10%	1005306	6
2	D2, D5	DIODE 0B72	1105275	7
1	R1	RESISTOR 330 OHM 1/4 5%	1300236	8
3	R3 - R5	RESISTOR 1K 1/4 5%	1300385	9
1	R7	RESISTOR 10K 1/4 5%	1300479	10
1	R2	RESISTOR 750 OHM 1/4 5%	1301401	11
54	R8 - R11, R14	RESISTOR 5.6K 1/4W 5%	1301874	12
2	L1, L2	INDUCTOR 2.2 UH	1609756	13
1	SW1 (E20)	SWITCH 8 POSITION	1211164-04	14
3	E2, E5, E21	IC 7474	1909547	15
2	E14, E22	IC 7400	1905575	16
1	E7	IC 7428	1905777	17
2	E6, E18	IC 7462	1909004	18
1	E10	IC 7484	1909888	19
1	E16	IC 7437	1910091	20
3	E8, E11, E12	IC 7442	1910046	21
1	E13	IC 7468	1910155	22
1	E19	IC 7485	1910224	23
4	E3, E4, E9, E15	IC 74123	1910436	24
4		EYELET	9006732	25
2		HANDLE, MAGENTA	9006337-6	26
1	R16	RESISTOR 47K 1/4W 5%	1302177	27
				28
1	E17	IC 75453	1911036	29
1	R15	RESISTOR 47K 1/4W 5%	1300202	30
2	D3, D4	DIODE 1N4004	1105796	31
1	C31	CAP 330 PF 100V	1000023	32
1	K1	RELAY REED (FORM B)	1210397	33
1	R14	RESISTOR 5.1K 1/4W 1%	1004854	34
1	C30	CAP .015 UF 100V 10%	1302630	35
M/R		TAPE, FIBER GLASS CLOTH	9008880	36
1	R12	RESISTOR, 5.6M, 1/4 W, 10%	1309386	37
1	Q1	TRANSISTOR, SE4020	1509587	38
1	R13	RESISTOR 15K, 1/4W, 5%	1300496	39
1	C32	CAP 1UF, 35V, 10%, S.TANT.	1001776	40

DEC NO.	EIA NO.	DEC NO.	EIA NO.
D672	1N 3653		
SEMICONDUCTOR CONVERSION CHART			

ETCH BOARD REV		L
PARTS LIST		
DRN	C. Nichols	DATE 6-27-73
CHK'D	J. Field	DATE 7-23-73
APP'G	J. Field	DATE 7/25/73
PRG. ENR.	J. Field	DATE 7/27/73
PROD.	G. Larabee	DATE 7/27/73
NEXT HIGHER ASSY		E-AD-7009236-0-0
SCALE	1/1	SIZE CODE DCS
SHEET	OF 2	DIST.
TITLE		CONTROL
NUMBER		M7755-0-1
REV.		L

THIS DRAWING AND SPECIFICATIONS HEREBY ARE THE PROPERTY OF DIGITAL EQUIPMENT CORPORATION AND SHALL NOT BE REPRODUCED OR COPIED IN WHOLE OR IN PART WITHOUT THE WRITTEN PERMISSION OF DIGITAL EQUIPMENT CORPORATION. COPYRIGHT © 1973 DIGITAL EQUIPMENT CORPORATION.

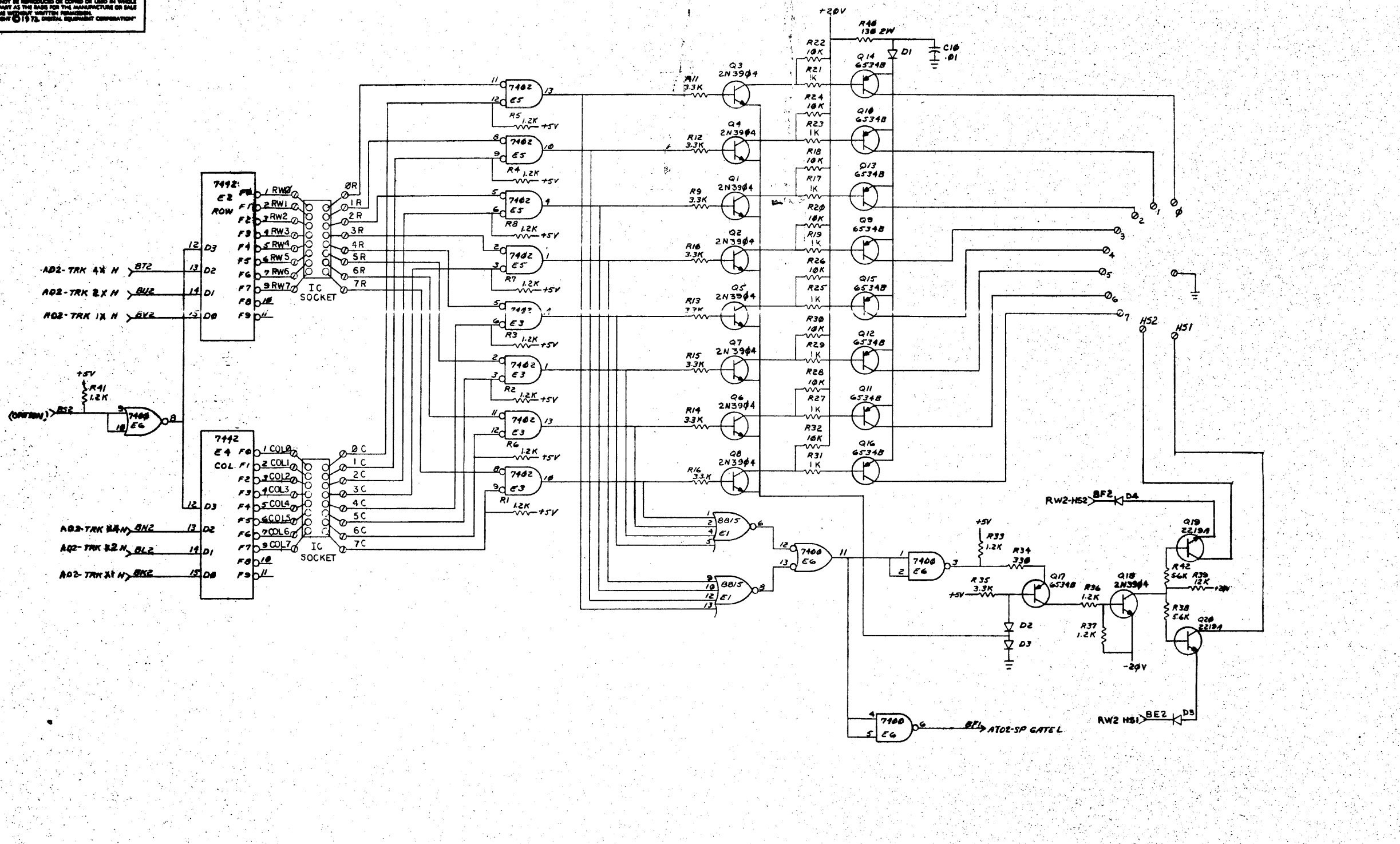


REVISIONS		
CHK	CHANGE NO	REV.

TITLE	CONTROL (CN2)	SIZE CODE	D CS	NUMBER	M7755-0-1	REV.	L
SCALE	1/1	SHEET	2 OF 2	DIST.			



"THIS DRAWING AND SPECIFICATIONS HEREIN ARE THE PROPERTY OF DIGITAL EQUIPMENT CORPORATION AND SHALL NOT BE REPRODUCED OR COPIED OR USED IN WHOLE OR IN PART AS THE BASIS FOR THE MANUFACTURE OR SALE OF ITEMS IDENTICAL HERETO WITHOUT PERMISSION. COPYRIGHT © 1972, DIGITAL EQUIPMENT CORPORATION"



REVISIONS		
CHK	CHANGE NO.	REV.

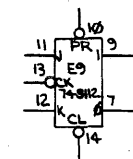
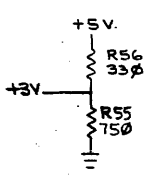
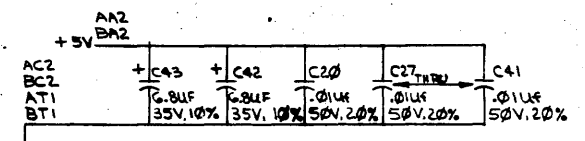
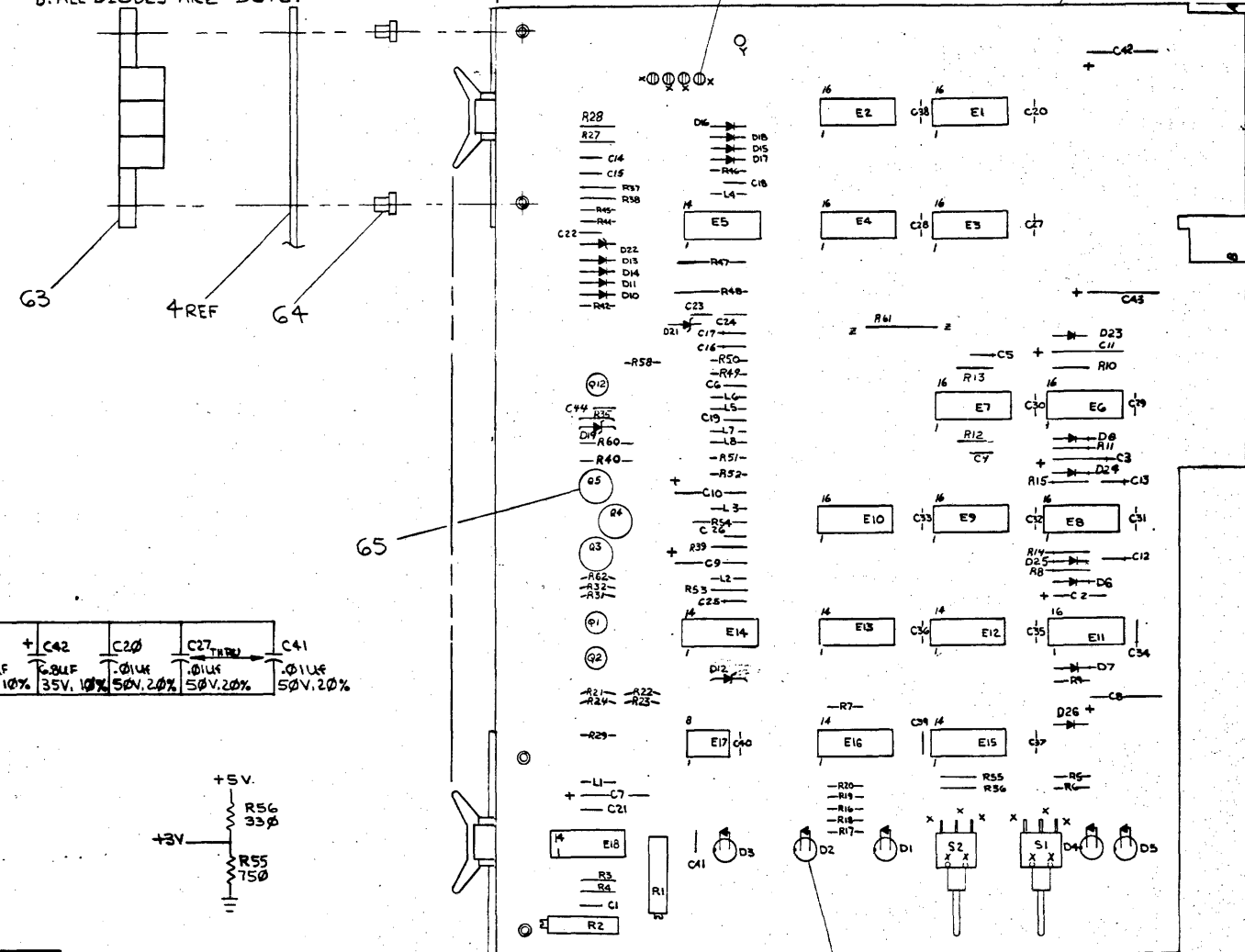


This drawing and specifications, herein, are the property of Digital Equipment Corporation and shall not be reproduced or copied or used in whole or in part in the manufacture of any of items without written permission.

COPYRIGHT © 1973, DIGITAL EQUIPMENT CORP.

**NOTES:**

1. a.  $\frac{1}{2}$  INDICATES DIGITAL GROUND.
- b.  $\nabla$  INDICATES ANALOG GROUND.
- c.  $\nabla$  INDICATES VCO GROUND.
- d. ALL GROUNDS WILL TIE TOGETHER AT AC2, AT1, BC2 AND BT1.
2. UNLESS OTHERWISE SPECIFIED:
  - a. ALL RESISTORS ARE  $V \pm W, \pm 5\%$  AND RESISTANCE IS IN OHMS.
  - b. ALL DIODES ARE DG72.



1414L	11	-	3, 10
74S112	8	16	
MC4024P	9, 7	13, 14	
74191	8	16	
74123	8	16	
75451	4	8	
IC TYPE	GND	+5V	+12V

GND AND 5V ARE USUALLY PIN 7 AND 14 RESPECTIVELY. EXCEPTIONS ARE STATED ABOVE.

IC PIN LOCATIONS

REF	X-Y COORDINATE HOLE LOCATION	K-CO-M7757-B-4	1	
REF	ASSY/DRILLING HOLE LAYOUT	D-M7757-B-5	2	
REF	MODULE ECO HISTORY	B-M7757-B-6	3	
1	ETCHED CIRCUIT BOARD	5010001	4	
1	C1	CAPACITOR 22PF, 100V, 5% OM	1005628	5
1	C2	CAPACITOR 3.9UF, 10V, 10% S. TANT	1000064	6
1	C3	CAPACITOR 11F, 35V, 10% S. TANT	1001278	7
1	C4	CAPACITOR 22PF, 100V, 5% D. M.	1000022	8
7	C7, C8, C9, C10, C42, C43, C11	CAPACITOR 6.8UF, 35V, 10% S. TANT	1005308	9
2	C14, C15	CAPACITOR 22UF, 50V, CER	1010274	10
4	C16, C17, C13, C12	CAPACITOR .047UF, 50V, 10% CER	1010078-32	11
2	C18, C5	CAPACITOR 800PF, 100V, 5% D. M.	1000026	12
1	C19	CAPACITOR 27PF, 100V, 5% OM	1001730	13
23	C20-C41, C44	CAPACITOR .01UF, 50V, 20%	1001618 - 01	14
1	C6	CAPACITOR 47PF, 100V, 5% OM	1000011	15
5	D1-D5	LIGHT EMITTING DIODE	1110274	16
15	D6, D7, D8, D10, D11, D23, D26, D13, D18	DIODE DG72	1105275	17
1	D12	DIODE 3.3V ZENER 1W45A	1104650	18
2	D21, D22, D13	DIODE 6.2V ZENER 1W45A	1102421	19
2	S1, S2	SWITCH, TOGGLE, SPDT	1209484	20
5		SPACER	1210035	21
2	R1, R2	RESISTOR 5K, 1/4W, 5%	1305143-05	22
2	R3, R4	RESISTOR 33K, 1/4W, 1%	1305159	23
3	R5, R6, R7	RESISTOR 1K, 1/4W, 5%	1300365	24
3	R8, R9, R10	RESISTOR 33.2K, 1/4W, 1%	1305420	25
1	R15	RESISTOR 2.49K, 1/8W, 1%	1305405	26
1	R14	RESISTOR 14.7K, 1/4W, 1%	1302941	27
1	R12	RESISTOR 5.62K, 1/4W, 1%	1305128	28
2	R13, R11	RESISTOR 10K, 1/4W, 1%	1305312	29
1	R69	RESISTOR 22, 1/4W, 10%	1300189	30
5	R18-R20	RESISTOR 220, 1/4W, 5%	1300271	31
5	R21-R24, R22	RESISTOR 511, 1/4W, 1%	1302411	32
1	R29	RESISTOR 2.74K, 1/4W, 1%	1304000	33
4	R31, R32, R27, R28	RESISTOR 1K, 1/4W, 5%	1303114	34
4	R37-R39, R58	RESISTOR 3.3K, 1/4W, 5%	1300430	35
1	R40	RESISTOR 27, 1/4W, 5%	1300253	36
1	R42	RESISTOR 820, 1/4W, 5%	1301775	37
3	R44, R45, R46	RESISTOR 1.2K, 1/4W, 5%	1301320	38
1	R48	RESISTOR 100, 1/4W, 5%	1300223	39
2	R47, R49	RESISTOR 300, 1/4W, 5%	1300232	40
2	R40, R50	RESISTOR 750, 1/4W, 1%	1304005	41
2	R51, R52	RESISTOR 825, 1/4W, 1%	1305143	42
1	R53	RESISTOR 300, 1/4W, 5%	1300300	43
1	R54	RESISTOR 820, 1/4W, 10%	1300330	44
1	R56	RESISTOR 330, 1/4W, 5%	1300235	45
1	R55	RESISTOR 750, 1/4W, 5%	1301401	46
1	R61	RESISTOR 150, 1/4W, 5%	1300240	47
3	L1, L2, L3	INDUCTOR 2.2UH	1000730	48
2	L5, L6	INDUCTOR 47UH	1010271	49
3	L7, L8, L4	INDUCTOR 12 UH	1003350	50
3	Q1, Q2, Q12	TRANSISTOR DEC 85340	1503400-01	51
3	Q3, Q4, Q5	TRANSISTOR DEC 2219-2	1501003	52
1	E18	IC MC 4024	1011030	53
4	E1, E2, E3, E4	IC DEC 74101	1010008	54
2	E10, E9	IC DEC 74S112	1010545	55
2	E18, E13	IC DEC 7400	1005575	56
4	E7, E8, E11, E8	IC DEC 74123	1010430	57
2	E15, E12	IC DEC 7474	1005547	58
1	E17	IC DEC 75451	1010400	59
1	E5	IC DEC 72733	1010044	60
1	E14	IC DEC 1414L	1010337	61
4		SPLIT LUGS	0006735	62
4		HANDLE, FLIP CHIP (MAGENTA)	0006337-8	63
8		EYELET	0006732	64
3		TRANSIPAD	0007200	65
1	D19	DIODE ZENER 6.3V 2%	1110986	66

FIRST USED ON OPTION MODEL  
K504/TA

ETCH BOARD REV F

2/18/75	P. MCLEAN
7/1/76	J. B. BROWN
8/1/76	P. MCLEAN
9/1/76	P. MCLEAN
10/1/76	P. MCLEAN
11/1/76	P. MCLEAN
12/1/76	P. MCLEAN
1/1/77	P. MCLEAN
2/1/77	P. MCLEAN
3/1/77	P. MCLEAN
4/1/77	P. MCLEAN
5/1/77	P. MCLEAN
6/1/77	P. MCLEAN
7/1/77	P. MCLEAN
8/1/77	P. MCLEAN
9/1/77	P. MCLEAN
10/1/77	P. MCLEAN
11/1/77	P. MCLEAN
12/1/77	P. MCLEAN

REVISIONS

CHK	CHANGE NO.	REV

SEMICONDUCTOR CONVERSION CHART

DEC NO.	EIA NO.	DEC NO.	EIA NO.
DG72	IN3653		

DATE 5/17/73  
DATE 5/15/73  
DATE 6/12/72  
DATE 6/12/73

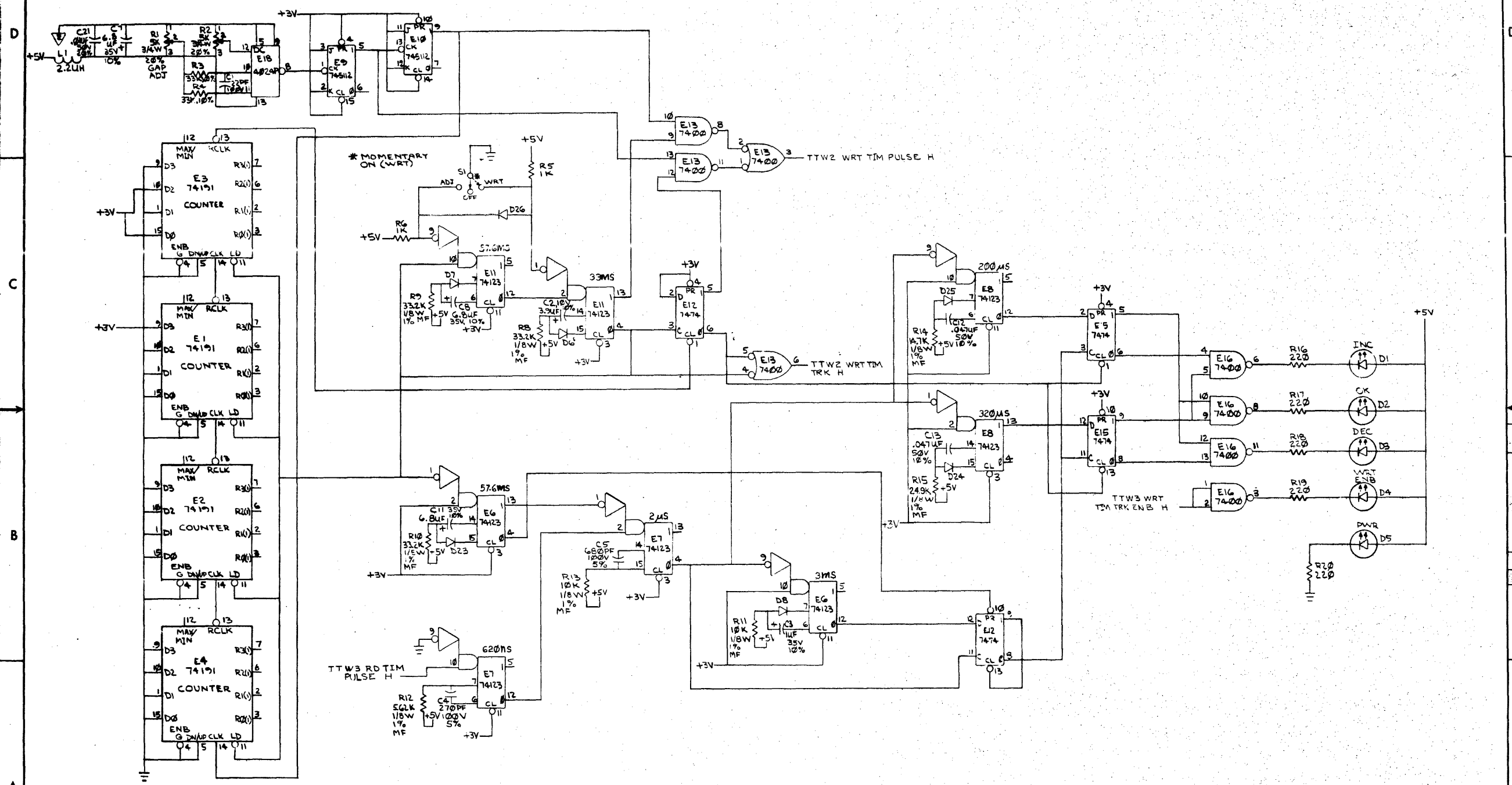
digital EQUIPMENT CORPORATION  
MAYNARD, MASSACHUSETTS

TITLE  
TIMING TRACK WRITER

SIZE CODE NUMBER  
DCS M7757-0-1

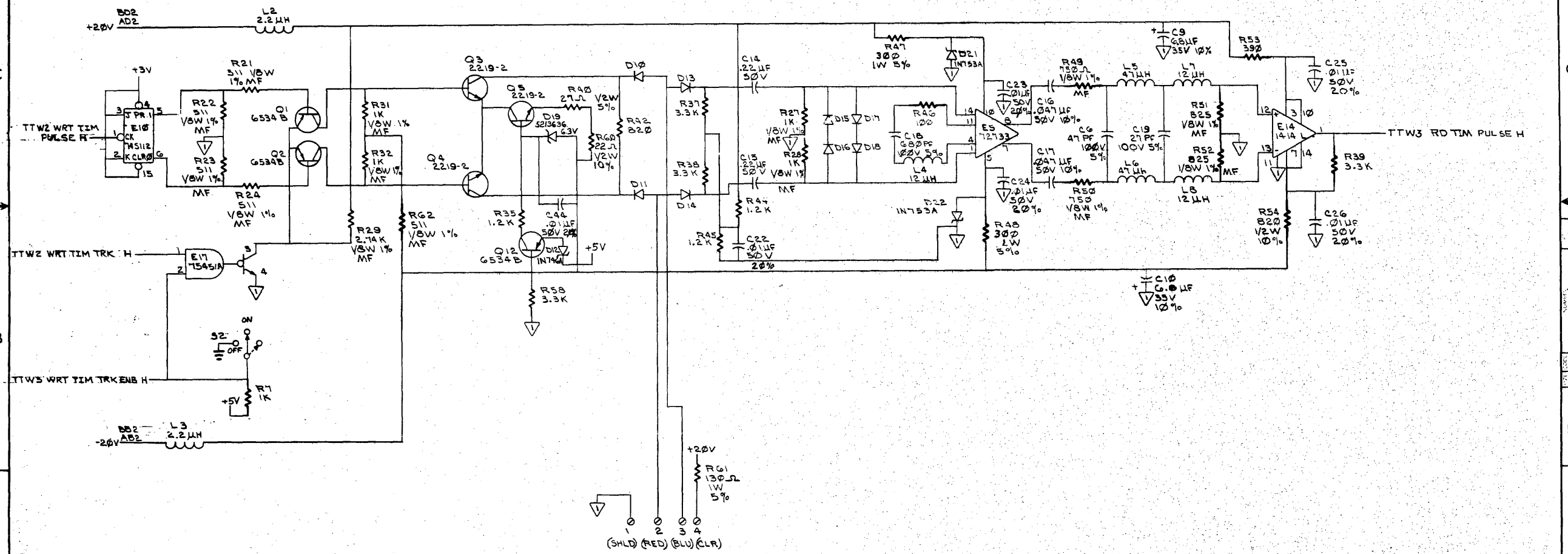
SHEET 1 OF 3

"THE DRAWING AND SPECIFICATIONS HEREIN ARE THE PROPERTY OF DIGITAL EQUIPMENT CORPORATION AND SHALL NOT BE REPRODUCED OR COPIED OR USED IN WHOLE OR IN PART AS THE BASIS FOR THE MANUFACTURE OR SALE OF ITEMS WITHOUT WRITTEN PERMISSION. COPYRIGHT © 1973 DIGITAL EQUIPMENT CORPORATION"



REVISIONS		
CHK	CHANGE NO.	REV

THIS DRAWING AND SPECIFICATIONS HEREIN ARE THE PROPERTY OF DIGITAL EQUIPMENT CORPORATION AND SHALL NOT BE REPRODUCED OR COPIED OR USED IN WHOLE OR IN PART AS THE BASIS FOR THE MANUFACTURE OR SALE OF ITEMS WITHOUT WRITTEN PERMISSION. COPYRIGHT © 1973, DIGITAL EQUIPMENT CORPORATION.



REVISIONS		
CHK	CHANGE NO.	REV.

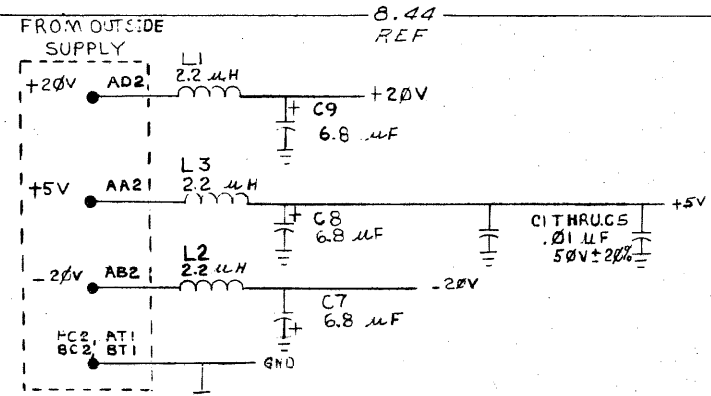
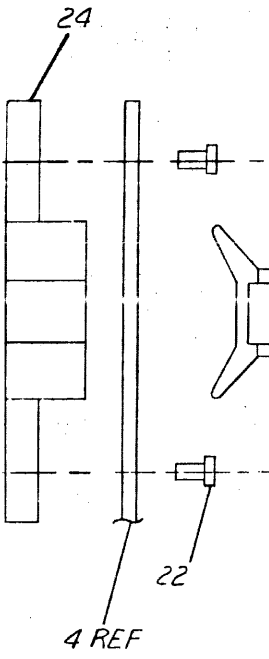
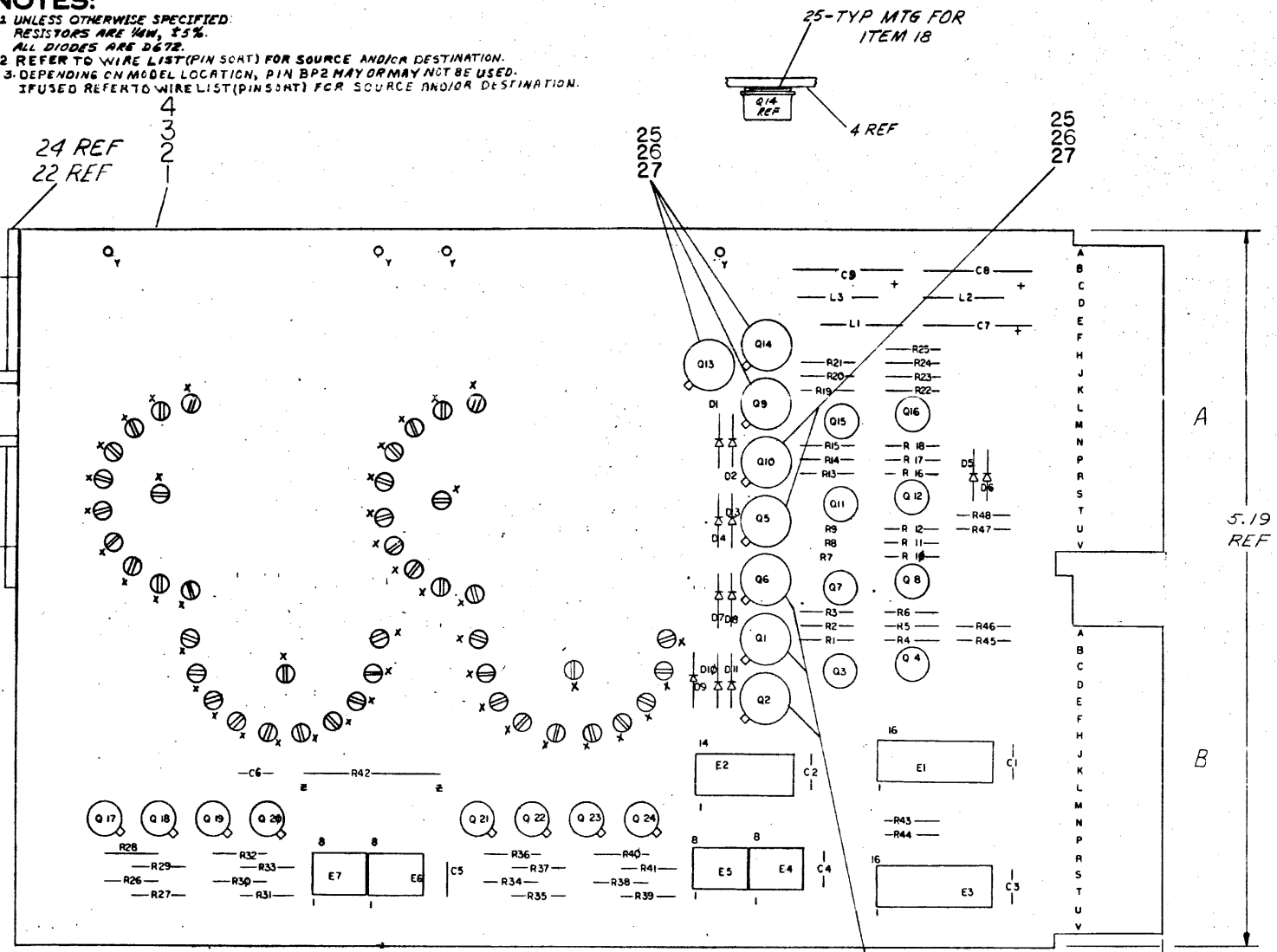
TITLE	TTW3 TIMING TRACK WRITER	SIZE CODE	NUMBER	REV.
SCALE	SHEET 3 OF 3	D	CSM7757-0-1	0

See drawing and specifications, herein, for the proper use of Digital Equipment Corporation and shall not be reproduced or copied or used in whole or in part in any form for the manufacture of any items without written permission.

COPYRIGHT © 1972  
DIGITAL EQUIPMENT CORPORATION

**NOTES:**

- UNLESS OTHERWISE SPECIFIED:  
RESISTORS ARE 1/4W, 5%.  
ALL DIODES ARE D672.
- REFER TO WIRE LIST (PIN SORT) FOR SOURCE AND/OR DESTINATION.
- DEPENDING ON MODEL LOCATION, PIN BP2 MAY OR MAY NOT BE USED.  
IF USED REFER TO WIRE LIST (PINS SORT) FOR SOURCE AND/OR DESTINATION.



QTY	REF DESIGNATION	DESCRIPTION	PART NO.	ITEM NO.
8	R26, 28, 30, 32, 34, 36, 38, 40	RES. 1K, 1/4W 5%	1300365	28
8		PERMA BOND CEMENT	9009157	27
8		TRANSISTOR, CAP	9008351	26
8		TRANSISTOR, FC P DEC 2219-2	9008725	25
2		HANDLE, FLIP CHIP (MAGENTA)	9008337-06	24
44		LUG, SPLIT	9006735	23
4		EYELET, #6S-4-7 STIMPSON	9006732	22
4	E4, E5, E6, E7	IC DEC 75451	1910406	21
2	E1, E3	IC DEC 7442	1910046	20
1	E2	IC DEC 74H00	1908056	19
8	Q1, Q2, Q5, Q6	TRANSISTOR, DEC 2213-2	1501883	18
	Q9, Q10, Q13, Q14			
4	Q3, Q7, Q11, Q15	TRANSISTOR, 2N3904	1509524	17
12	Q4, Q8, Q12	TRANSISTOR, DEC 6534B	1503409-01	16
	Q16 THRU Q24			
1	R42	RES. 130, 2W ± 5%	1314832	15
4	R1, R7, R13, R19	RES. 12K, 1/4W, 5%	1300428	14
8	R2, R3, R8, R9, R14	RES. 5.6K, 1/4W, 5%	1301874	13
	R15, R20, R21			
14	R5, R6, R11, R12, R17	RES. 1.2K, 1/4W, 5%	1301320	12
	R18, R23, R24			
	R43 THRU R48			
8	R27, R29, R31, R33	RES. 10K, 1/4W, 5%	1300470	11
	R35, R37, R39, R41			
1	R25	RES. 3.3K, 1/4W, 5%	1300423	10
4	R4, R10, R16, R22	RES. 300, 1/4W, 5%	1300225	9
3	L1, L2, L3	CHOKE, 2.2 MH	1609255	8
11	D1 THRU D11	DIODE, D672	1105225	7
3	C7, C8, C9	CAP. 6.8UF, 35V, 10%, 5-TANT	1005506	6
6	C1 THRU C6	CAP. 0.1UF, 50V, 20% AX. CER.	101110	5
1		ETCHED CIRCUIT BOARD	510177	4
REF		MODULE ECO HISTORY	F 11 M7758-0-1	3
REF		ASSY/DRILLING HOLE LAYOUT	11H-M7758-0-2	2
REF		X-Y COORDINATE HOLE LOCATION	K25-M7758-0-1	1

IC TYPE	GND	+5V
DEC IC 75451	4	8
DEC IC 7442	8	16

IC PIN LOCATIONS

8V AND 5V ARE USUALLY PIN 7 AND 14 RESPECTIVELY. EXCEPTIONS ARE STATED ABOVE.

REVISIONS

CHK	CHANGE NO.	REV
CHAO CHI	1	H
CHAO CHI	2	H
CHAO CHI	3	H
CHAO CHI	4	H
CHAO CHI	5	H
CHAO CHI	6	H
CHAO CHI	7	H
CHAO CHI	8	H
CHAO CHI	9	H
CHAO CHI	10	H
CHAO CHI	11	H
CHAO CHI	12	H
CHAO CHI	13	H
CHAO CHI	14	H
CHAO CHI	15	H
CHAO CHI	16	H
CHAO CHI	17	H
CHAO CHI	18	H
CHAO CHI	19	H
CHAO CHI	20	H
CHAO CHI	21	H
CHAO CHI	22	H
CHAO CHI	23	H
CHAO CHI	24	H
CHAO CHI	25	H

FIRST USED ON OPTION MODEL  
PS03/R504

ETCH BOARD REV E

DATE 12-17-72  
DATE 12-17-72  
DATE 12-22-72  
DATE 12-22-72  
DATE 12-17-72

DRN: J. Bismonte  
CHK: J. Bismonte  
ENG: J. Bismonte  
PROJ. ENG: J. Bismonte  
PROD: J. Bismonte

digital EQUIPMENT CORPORATION  
MAYNARD, MASSACHUSETTS

TITLE: HEAD MATRIX

SIZE CODE: DCS  
NUMBER: M7758-0-1  
REV: H

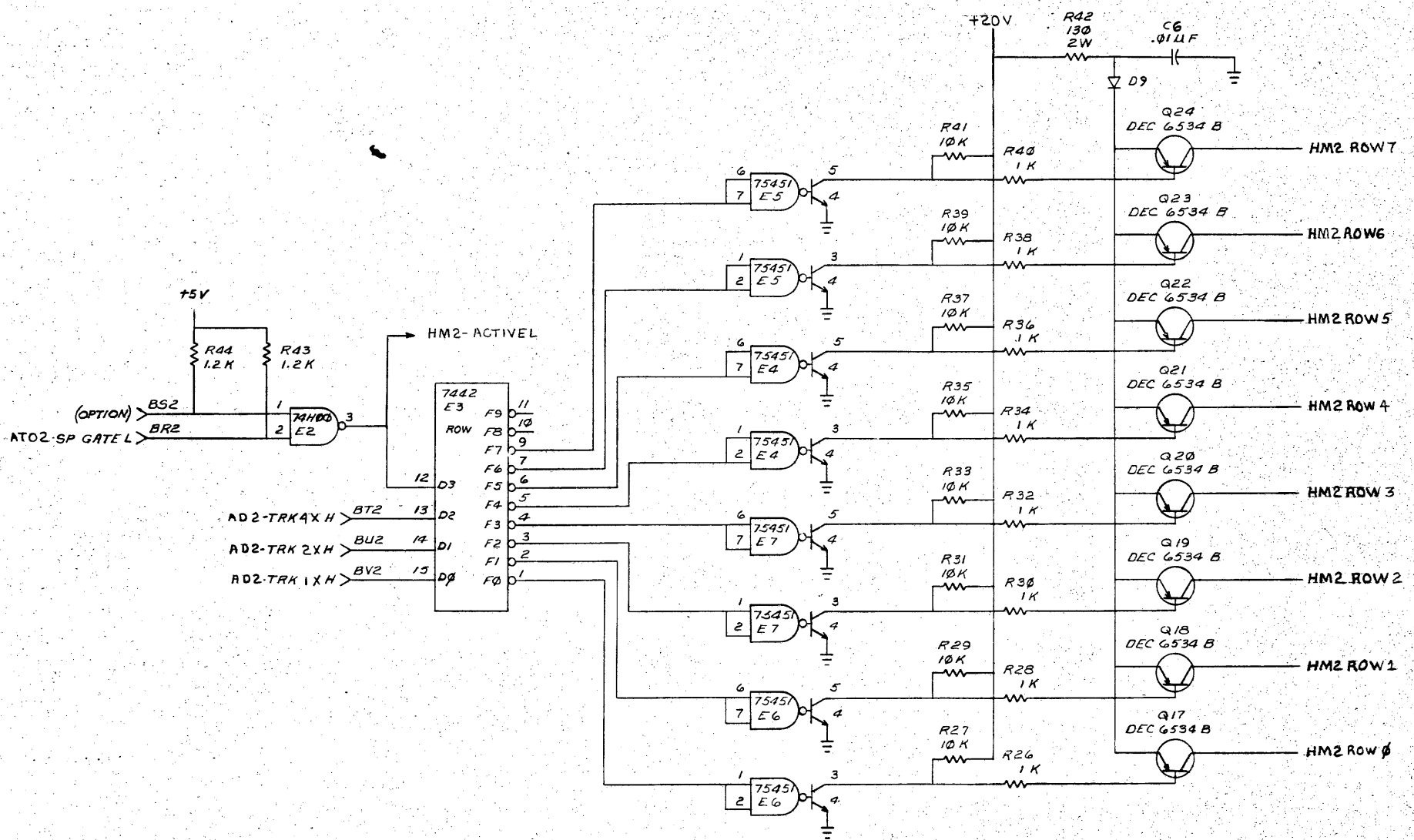
SCALE: 1 OF 3

SHEET 1 OF 3

SEMICONDUCTOR CONVERSION CHART

and specifications herein are the property of Digital Equipment Corporation and shall not be copied or used in whole or in part, or for the manufacture or sale of items without written permission.

COPYRIGHT © 1972  
DIGITAL EQUIPMENT CORPORATION



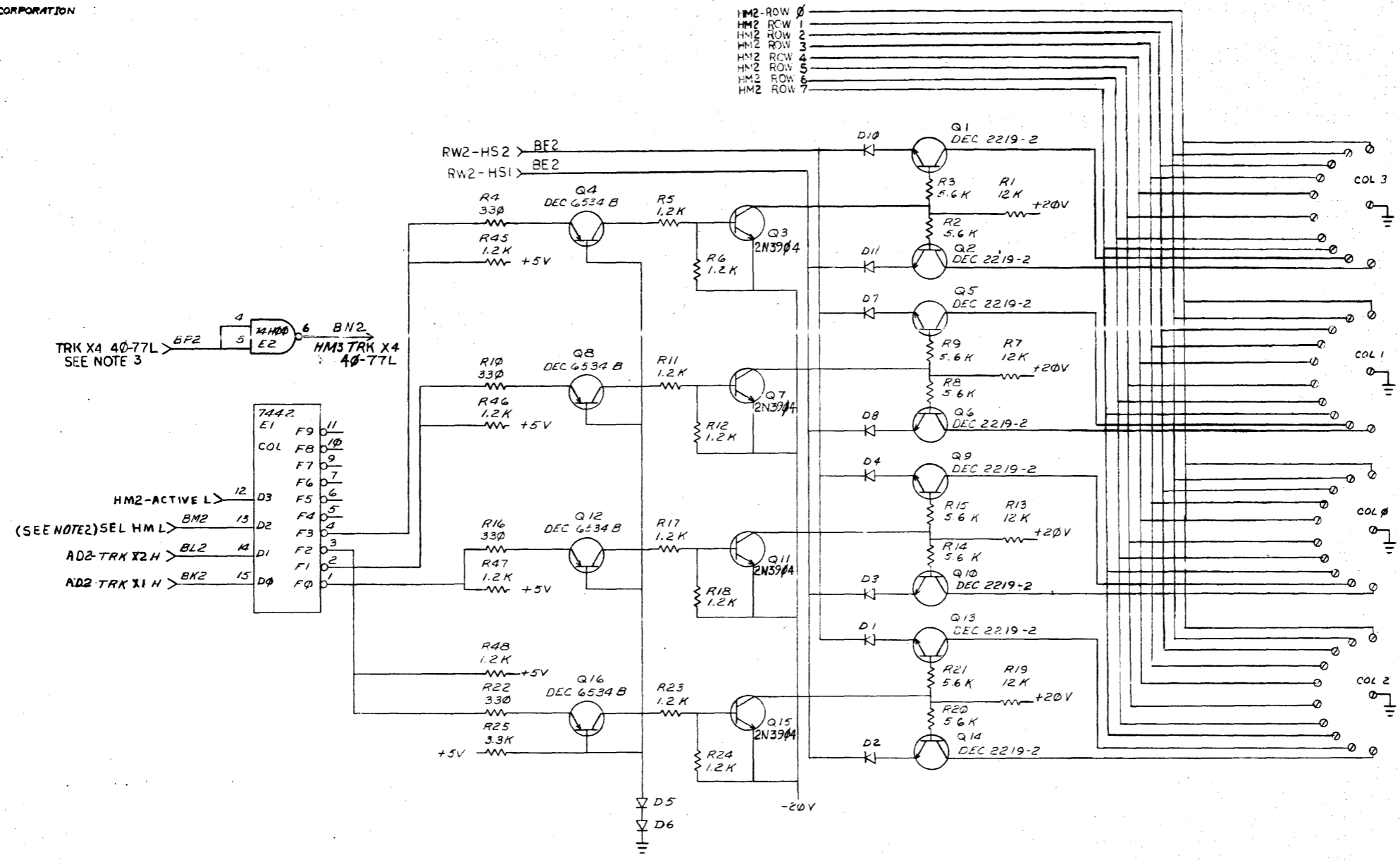
REV. H  
CHANGE NO. 1  
CHK

FIRST USED ON OPTION/MODEL	QTY.	DESCRIPTION	PART NO.	ITEM NO.
RS03/RS04				
PARTS LIST				
UNLESS OTHERWISE SPECIFIED DIMENSION IN INCHES		DRN: <i>U.B. Somerville</i>	DATE: 7-6-72	<b>digital</b> EQUIPMENT CORPORATION MAYNARD MASSACHUSETTS
TOLERANCES		CHK: <i>W. Muschick</i>	DATE: 12-11-72	
DECIMALS	ANGLES	ENG: <i>John S. Chiu</i>	DATE: 3-22-72	TITLE <b>HEAD MATRIX (HM12)</b>
.XXX = .006	±0° 30'	PROJ. ENG: <i>John S. Chiu</i>	DATE: 3-22-72	
.XX = .02		PROD: <i>A. K. Kulkarni</i>	DATE: 3/22/72	
REMOVE BURRS AND BREAK SHARP CORNERS SURFACE QUALITY ✓		NEXT HIGHER ASSY.		
MATERIAL		SCALE	SIZE CODE	NUMBER
FINISH		SHEET 2 OF 3	D	CSM 7758-0-1
			DIST.	REV. H

SIZE CODE NUMBER  
CSM 7758-0-1

The company and its successors, herein, are the property of Digital Equipment Corporation and shall not be reproduced or copied or used in whole or in part in any form without the prior written consent of Digital Equipment Corporation.

COPYRIGHT © 1972  
DIGITAL EQUIPMENT CORPORATION



REV	CHANGE NO	REVISIONS

FIRST USED ON OPTION/MODEL	QTY.	DESCRIPTION	PART NO.	ITEM NO.
RS03/RS04				
PARTS LIST				
UNLESS OTHERWISE SPECIFIED DIMENSION IN INCHES TOLERANCES		DRN. <i>U. Bismuth</i>	DATE 6-30-72	 <b>digital EQUIPMENT CORPORATION</b> <small>MAYNARD, MASSACHUSETTS</small>
DECIMALS ANGLES		CHKD. <i>V. S. Wulfsberg</i>	DATE 12-11-72	
XXX - .005	10° 30'	ENG. <i>Chas. S. Olin</i>	DATE 8-22-72	
.XX - .02		PROJ. ENG. <i>Chas. S. Olin</i>	DATE 3-22-73	
REMOVE BURRS AND BREAK SHARP CORNERS SURFACE QUALITY		PROD. <i>P. Karlberg</i>	DATE 1/22/73	TITLE
MATERIAL		NEXT HIGHER ASSY.		HEAD MATRIX (HM3)
FINISH		SCALE		SIZE CODE
		SHEET 3 OF 3		NUMBER
				DCS M7758-0-1
				REV. H

SIZE CODE: H  
 NUMBER: CSIM 7758-0-1  
 REV: H



THE SHAPING AND SPECIFICATIONS HEREIN ARE THE PROPERTY OF DIGITAL EQUIPMENT CORPORATION AND SHALL NOT BE REPRODUCED OR COPIED OR USED IN WHOLE OR IN PART AS THE BASIS FOR THE MANUFACTURE OF SALE OF ITEMS WITHOUT WRITTEN PERMISSION. COPYRIGHT © 1978 DIGITAL EQUIPMENT CORPORATION.

FRONT PANEL LAMP DRIVERS

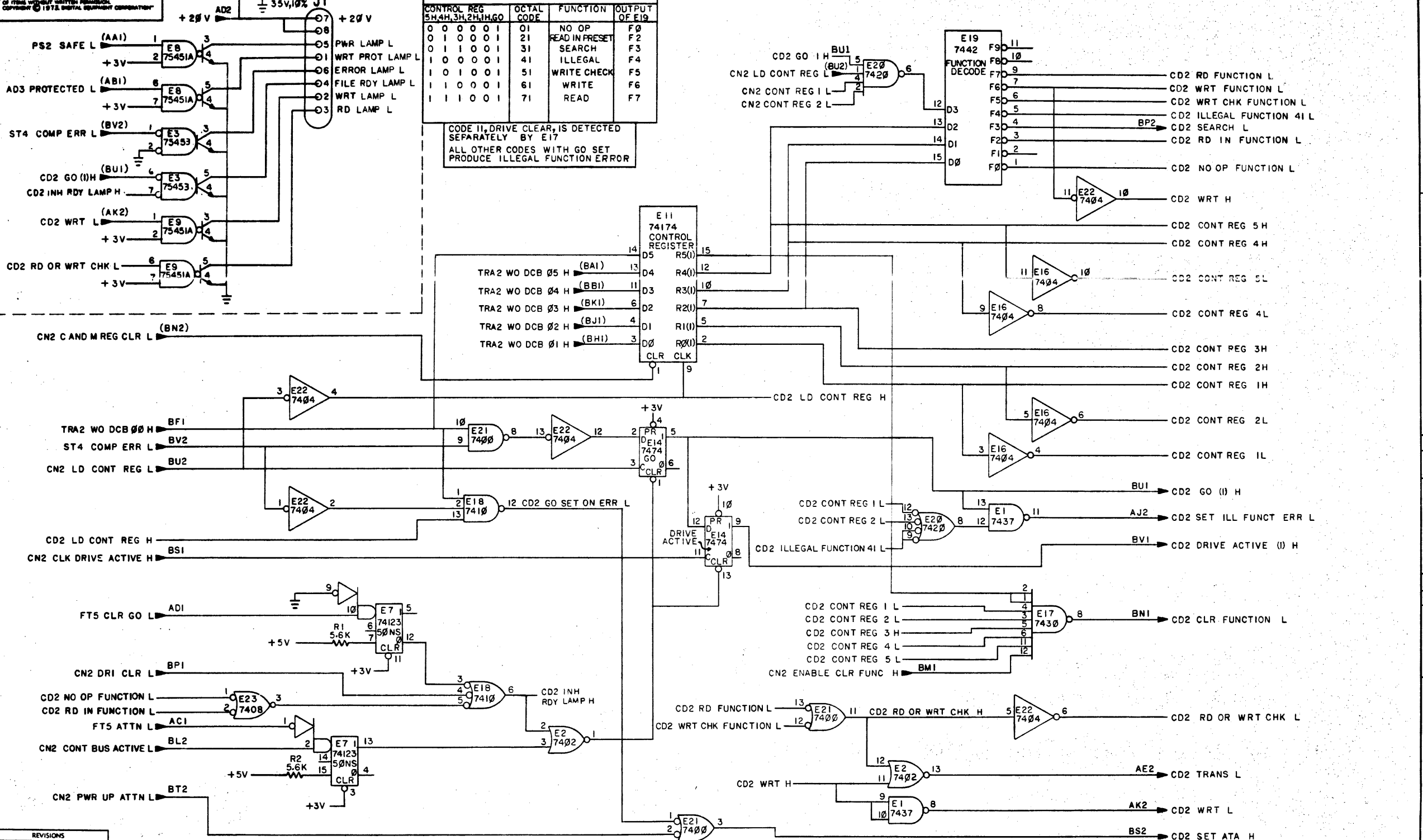
MASSBUS FUNCTION CODES DECODED BY E19

CONTROL REG	OCTAL CODE	FUNCTION	OUTPUT OF E19
5H,4H,3H,2H,1H,GO	01	NO OP	F0
	21	READ IN PRESET	F2
	31	SEARCH	F3
	41	ILLEGAL	F4
	51	WRITE CHECK	F5
	61	WRITE	F6
	71	READ	F7

CODE 11, DRIVE CLEAR, IS DETECTED SEPARATELY BY E17  
ALL OTHER CODES WITH GO SET PRODUCE ILLEGAL FUNCTION ERROR

E11 74174 CONTROL REGISTER

TRA2 WO DCB	BIT	TRA2	REGISTER
05 H	(BA1)	D5	R5(1)
04 H	(BB1)	D4	R4(1)
03 H	(BK1)	D3	R3(1)
02 H	(BJ1)	D2	R2(1)
01 H	(BH1)	D1	R1(1)
		D0	R0(1)



REVISIONS

CHK	CHANGE NO.	REV.

LAMP DRIVERS CONTROL REGISTER AND FUNCTION DECODE

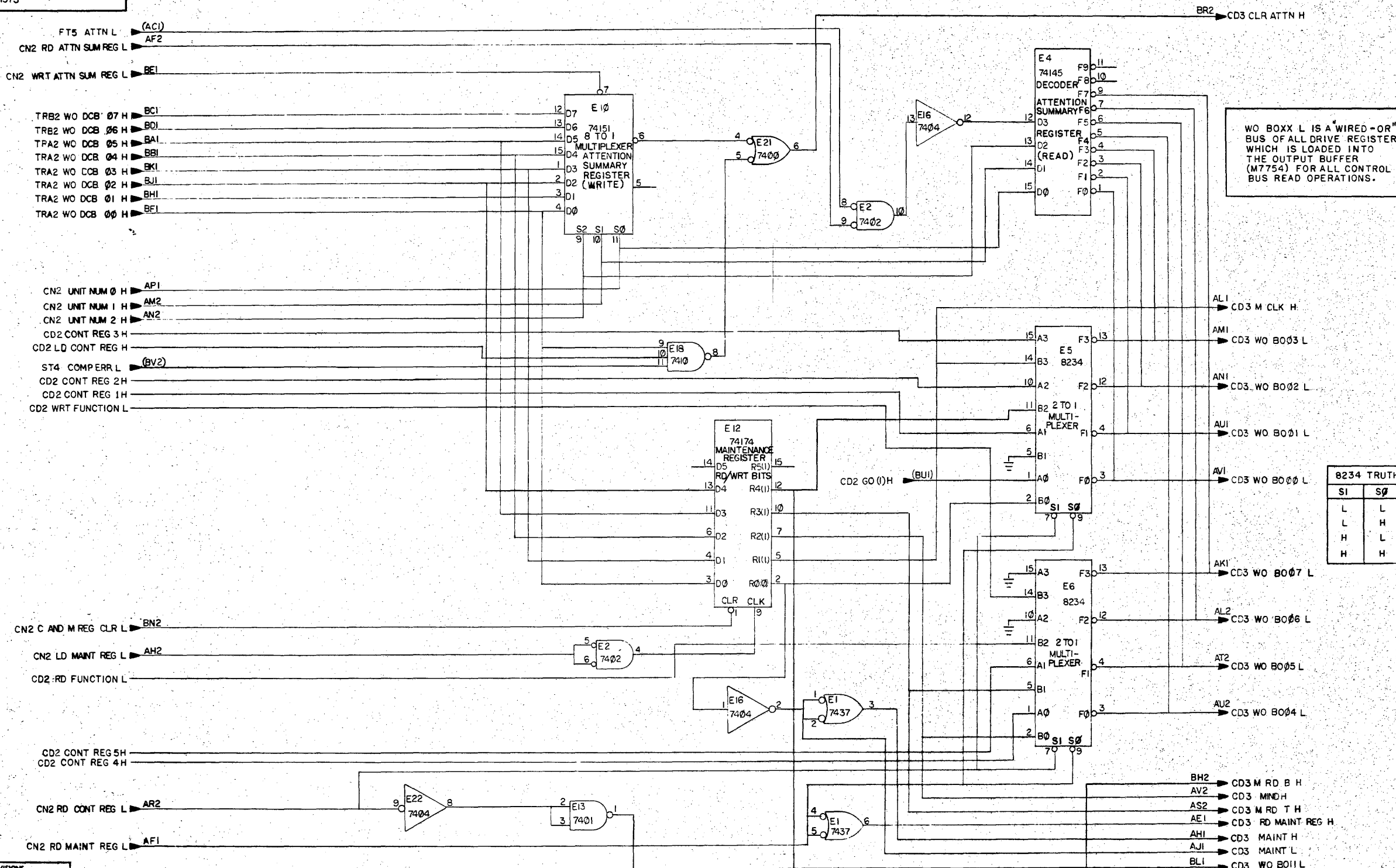
TITLE: COMMAND DECODE (CD2) SIZE CODE: CS M7759-0-1 NUMBER: J

SCALE: SHEET 2 OF 3 DIST.:

DCSM7759-0-1 J



THIS DRAWING AND SPECIFICATIONS HEREAFTER ARE THE PROPERTY OF DIGITAL EQUIPMENT CORPORATION AND SHALL NOT BE REPRODUCED OR COPIED OR USED IN WHOLE OR IN PART AS THE BASIS FOR THE MANUFACTURE OR SALE OF ITEMS WITHOUT WRITTEN PERMISSION. COPYRIGHT © 1973 DIGITAL EQUIPMENT CORPORATION.



WO BOXX L IS A "WIRED-OR" BUS OF ALL DRIVE REGISTERS WHICH IS LOADED INTO THE OUTPUT BUFFER (M7754) FOR ALL CONTROL BUS READ OPERATIONS.

8234 TRUTH TABLE

SI	S0	F
L	L	B
L	H	A
H	L	B
H	H	H

REVISIONS

CHK	CHANGE NO.	REV.

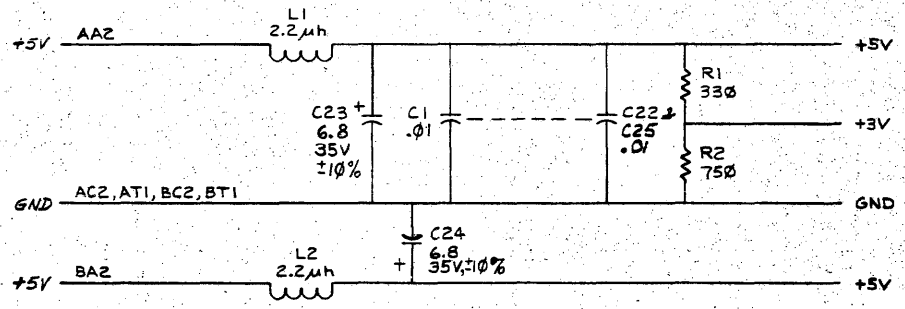
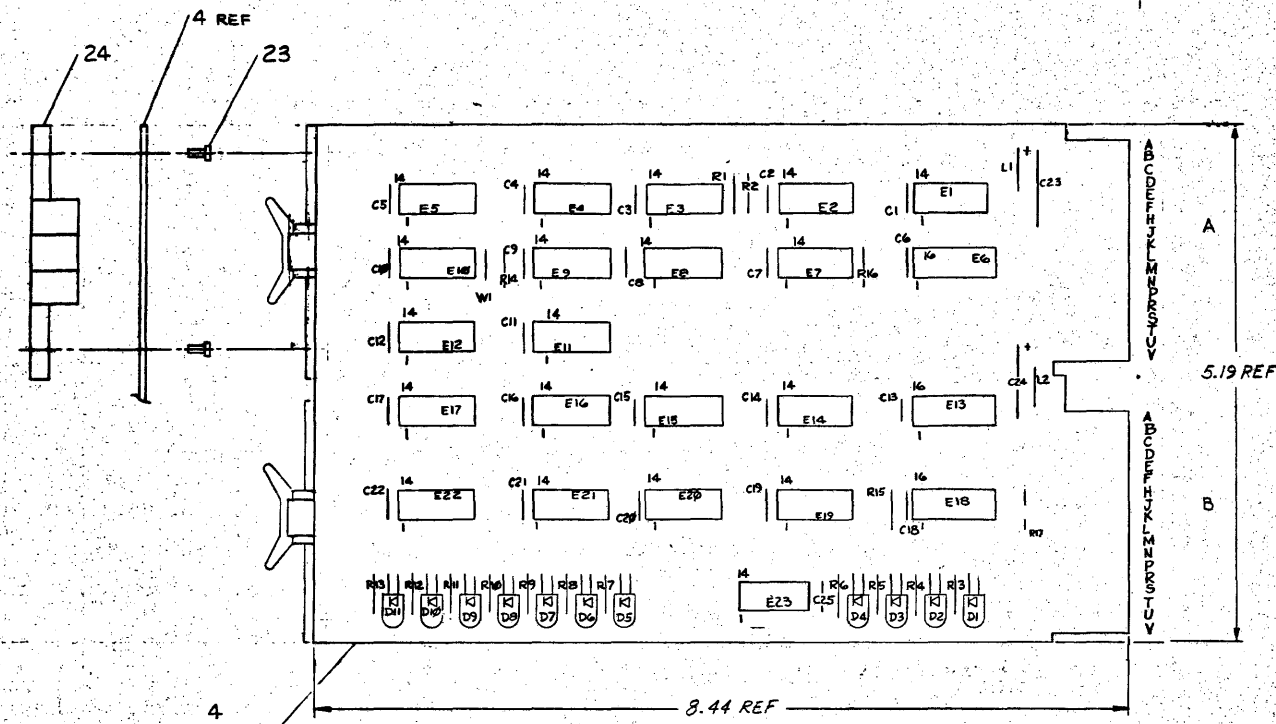
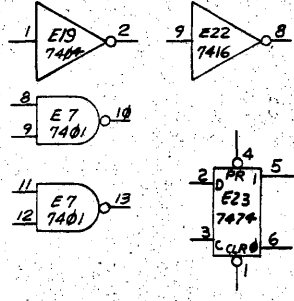


This drawing and specifications, based on the state of the art of digital equipment design, are not to be construed as a contract or used in any way to limit or to extend the time for the completion of any work under these specifications.

COPYRIGHT © 1973  
DIGITAL EQUIPMENT CORPORATION

**NOTES:**

- UNLESS OTHERWISE SPECIFIED:
  - RESISTANCE IS IN OHMS AND ALL RESISTORS ARE 1/4W, ±5%.
  - CAPACITANCE IS IN MICROFARADS AND ALL CAPACITORS ARE 50V, ±20%.
- FOR VARIATION "YA" CUT ETCH FROM E18-10 TO GND AND ADD WIRE FROM E18-10 TO +3V (E13 PIN 1). (SEE SHEET 5) AND STAMP HANDLE "YA".



REF	REF	X-Y COORDINATE HOLE LOCATION	K-CO-M7770-0-4	1	
REF	REF	ASSY/DRILLING HOLE LAYOUT	D-AH-M7770-0-5	2	
REF	REF	MODULE ECO HISTORY	B-MH-M7770-0-6	3	
1	1	ETCHED CIRCUIT BOARD	5010382	4	
23	23	C1-C22, C25	CAPACITOR, .01UF, 100V 20% DISC	1001610-01	5
2	2	C23, C24	CAPACITOR, 6.8UF, 35V, ±10%, STANT	1005306	6
11	11	D1-D11	DIODE, LIGHT-EMITTING	1110324	7
1	1	R1	RESISTOR, 330Ω, 1/4W, ±5%	1300295	8
1	1	R2	RESISTOR, 750Ω, 1/4W, ±5%	1301401	9
11	11	R3-R13	RESISTOR, 180Ω, 1/4W, ±5%	1301322	10
2	2	R14, R16	RESISTOR, 1K, 1/4W, ±5%	1300365	11
2	2	L1-L2	INDUCTOR, 2.2µH, 10%, 760 MA	1609756	12
1	1	E2	IC DEC 7400	1905575	13
1	1	E7	IC DEC 7401	1905590	14
2	2	E4, E14	IC DEC 7402	1909004	15
2	2	E1, E19	IC DEC 7404	1909686	16
2	2	E21, E22	IC DEC 7416	1909928	17
1	1	E5	IC 7427	1910878	18
2	2	E11, E16	IC DEC 7430	1905578	19
1	1	E9	IC DEC 7437	1910091	20
8	8	E3, 8, 10, 12, 15, 17, 20, 23	IC DEC 7474	1905547	21
3	3	E6, E13, E18	IC 8234	1911315	22
4	4		EYELET	9006732	23
2	2		HANDLE, FLIP-CHIP, MAGENTA	9008337-6	24
1	1	W1	WIRE, JUMPER, INS.	9009185	25
2	2	R15, R17	RESISTOR, 10K, 1/4W, ±5%	1300479	26

8234	8	16
IC TYPE	GND	+5V
GND AND 0V ARE USUALLY PIN 7 AND 14 RESPECTIVELY EXCEPTS ARE STATED ABOVE		
IC PIN LOCATIONS		

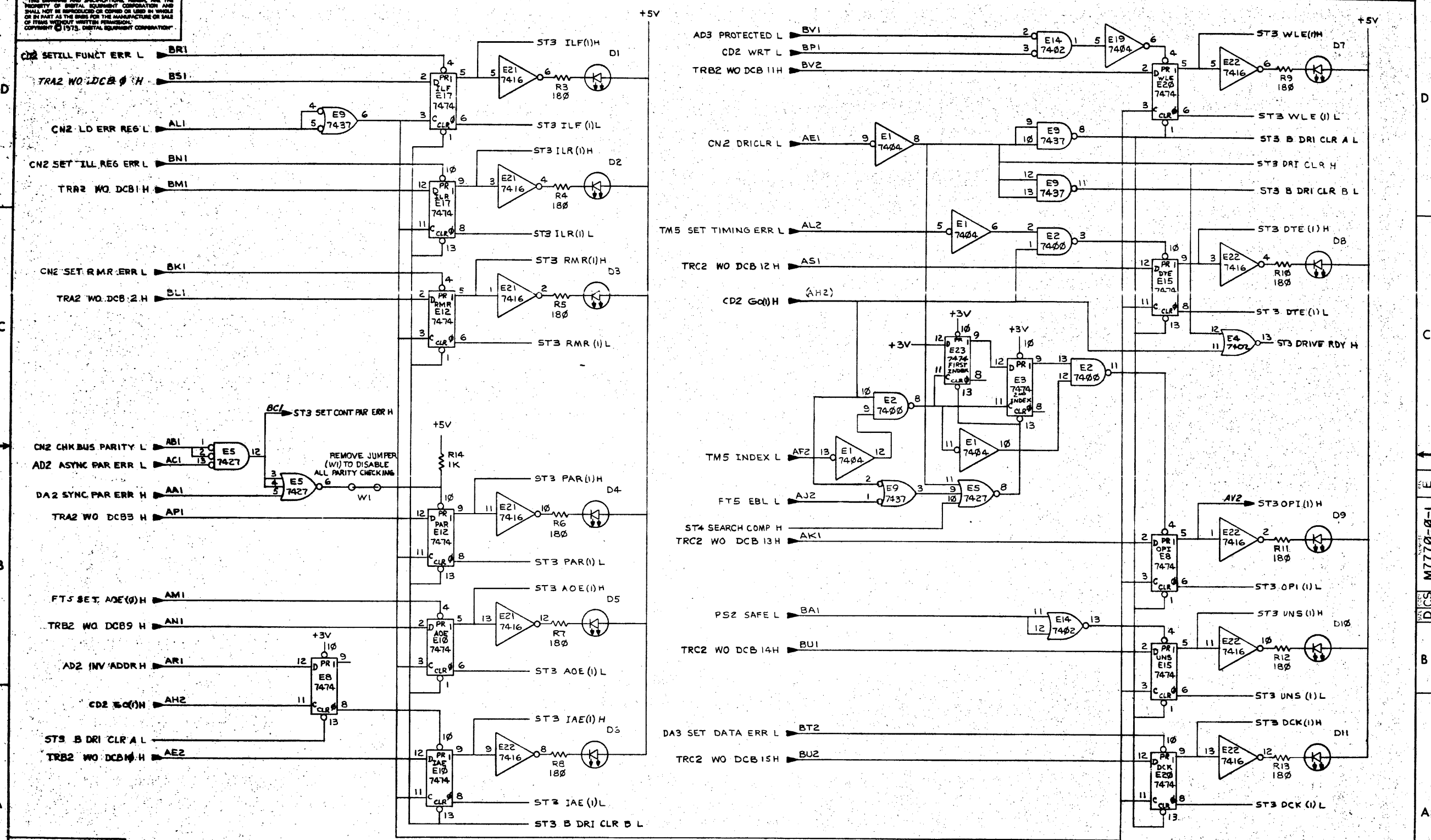
FIRST USED ON OPTION MODEL: RS03/04  
 ETCH BOARD REV: E  
 PARTS LIST  
 QTY REF DESIGNATION DESCRIPTION PART NO. ITEM NO.

DRN	DATE	 <b>STAT'JS (ST)</b>
CHKD	DATE	
ENG	DATE	
PROJ. ENG.	DATE	
PROD. ENGR.	DATE	

E-AD-7009236-0-0  
 SCALE: 1:1  
 SHEET 2 OF 5  
 DIST.

NUMBER  
 M7770-0-1  
 REV E

THIS DRAWING AND SPECIFICATIONS HEREIN ARE THE PROPERTY OF DIGITAL EQUIPMENT CORPORATION AND SHALL NOT BE REPRODUCED OR COPIED IN WHOLE OR IN PART AS THE BASIS FOR THE MANUFACTURE OR SALE OF ITEMS WITHOUT WRITTEN PERMISSION. COPYRIGHT © 1973, DIGITAL EQUIPMENT CORPORATION.



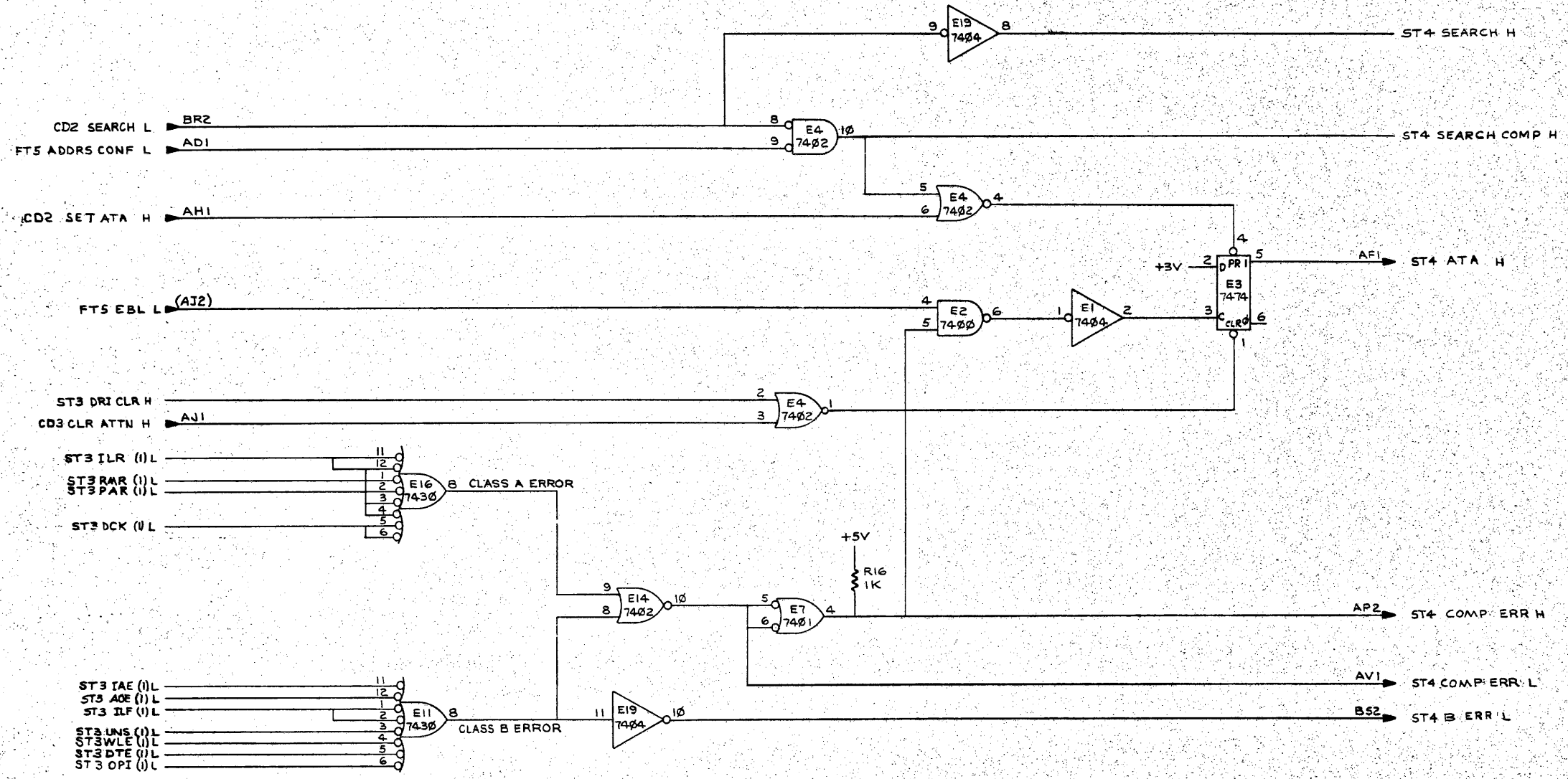
REVISIONS		
CHK	CHANGE NO.	REV.

TITLE		SIZE CODE	NUMBER	REV.
STATUS (ST3)		D CS	M7770-0-1	0
SCALE		SHEET 3	OF 5	DIST.

ERROR REGISTER

D CS M7770-0-1

THIS DRAWING AND SPECIFICATIONS, HEREIN, ARE THE PROPERTY OF DIGITAL EQUIPMENT CORPORATION AND SHALL NOT BE REPRODUCED OR COPIED OR USED IN WHOLE OR IN PART AS THE BASIS FOR THE MANUFACTURE OR SALE OF ITEMS WITHOUT WRITTEN PERMISSION. COPYRIGHT © 1973, DIGITAL EQUIPMENT CORPORATION.

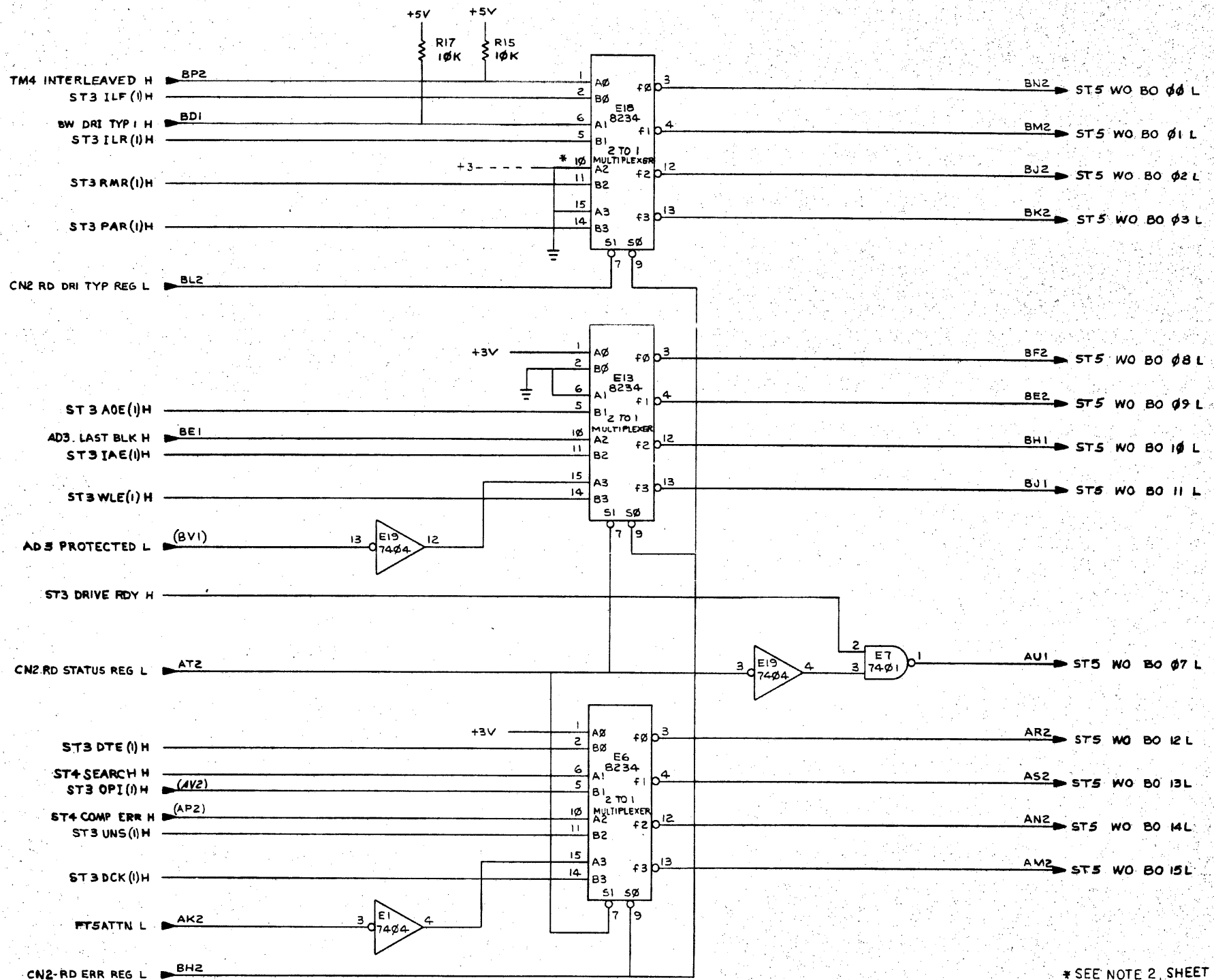


REVISIONS		
CHK	CHANGE NO.	REV.

ERROR SUMMARY

TITLE	STATUS (ST4)	SIZE CODE	D CS	NUMBER	M 7770-0-1	REV.	E
SCALE	1:1	SHEET	4	OF	5	DIST.	

THE DRAWING AND SPECIFICATIONS HEREIN ARE THE PROPERTY OF DIGITAL EQUIPMENT CORPORATION AND SHALL NOT BE REPRODUCED OR COPIED OR USED IN WHOLE OR IN PART AS THE BASIS FOR THE MANUFACTURE OR SALE OF ITEMS WITHOUT WRITTEN PERMISSION. COPYRIGHT © 1973, DIGITAL EQUIPMENT CORPORATION



BU BOX L IS A WIRED-OR BUS OF ALL DRIVE REGISTERS WHICH IS LOADED INTO THE OUTPUT BUFFER (M7754) FOR ALL CONTROL BUS READ OPERATIONS

8234 TRUTH TABLE

S1	S0	F
L	L	$\bar{B}$
L	H	A
H	L	$\bar{B}$
H	H	H

\* SEE NOTE 2, SHEET 2

REVISIONS

CHK	CHANGE NO.	REV.

DRIVETYPE/STATUS/ERROR REGISTER MULTIPLEXER

TITLE	STATUS (ST5)	SIZE CODE	DCS	NUMBER	M7770-0-1	REV.	E
SCALE	---	SHEET	5	OF	5	DIST.	

DCS M7770-0-1 E

# PAGE REVISION CONTROL SHEET

SH NO.	PAGE REVISIONS															REMARKS
1	B	C	D													
2	B	C	D													
3	B	C	D													
4	B	C	D													
5	B	C	D													
ECO NO.																
ETCH REV.	C	D	D													
ENG.		T.F.F.	A.R.													
DATE	7-19-73	12-5-73	3-2-76													
															FIRST USED ON OPTION/MODEL	
															RS03/04	

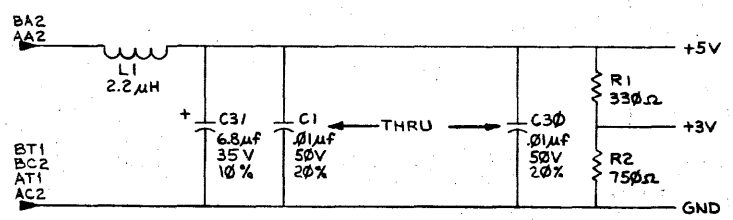
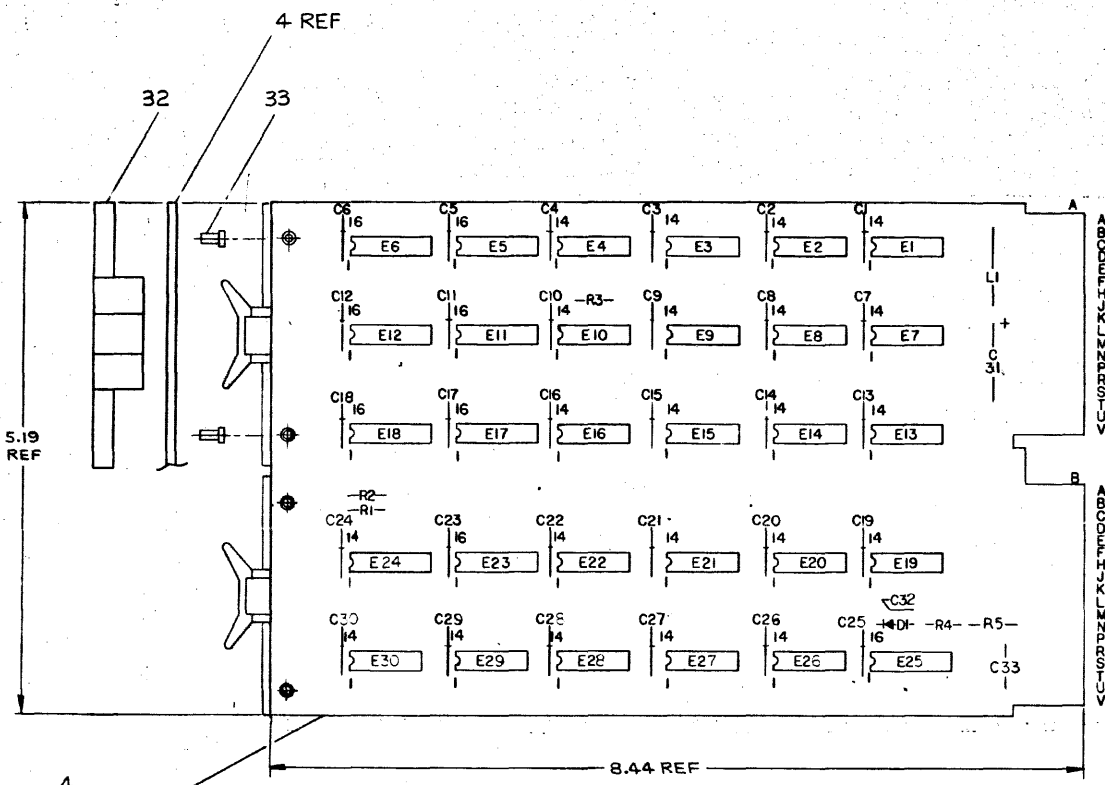
<table border="1" style="width: 100%; border-collapse: collapse;"> <tr> <td style="width: 50%;">DRN</td> <td style="width: 50%;">Z. Carberry</td> <td style="width: 50%;">DATE</td> <td style="width: 50%;">6-28-73</td> </tr> <tr> <td>CHK'D.</td> <td>Z. Carberry</td> <td>DATE</td> <td>6-28-73</td> </tr> <tr> <td>ENG.</td> <td>T.F. FAVA</td> <td>DATE</td> <td>7/24/73</td> </tr> <tr> <td>PROJ. ENG.</td> <td>T.F. FAVA</td> <td>DATE</td> <td>7/24/73</td> </tr> <tr> <td>PROD.</td> <td>A. Karlberg N.F.</td> <td>DATE</td> <td>7-24-73</td> </tr> </table>	DRN	Z. Carberry	DATE	6-28-73	CHK'D.	Z. Carberry	DATE	6-28-73	ENG.	T.F. FAVA	DATE	7/24/73	PROJ. ENG.	T.F. FAVA	DATE	7/24/73	PROD.	A. Karlberg N.F.	DATE	7-24-73	<div style="border: 2px solid black; padding: 5px; display: inline-block; font-weight: bold; font-size: 1.2em;">digital</div> <div style="margin-left: 10px; font-weight: bold;">EQUIPMENT CORPORATION</div> <small>MAYNARD MASSACHUSETTS</small>
DRN	Z. Carberry	DATE	6-28-73																		
CHK'D.	Z. Carberry	DATE	6-28-73																		
ENG.	T.F. FAVA	DATE	7/24/73																		
PROJ. ENG.	T.F. FAVA	DATE	7/24/73																		
PROD.	A. Karlberg N.F.	DATE	7-24-73																		
<div style="font-size: 2em; font-weight: bold; letter-spacing: 0.5em;">FORMAT</div>																					
*THIS DRAWING AND SPECIFICATIONS, HEREIN, ARE THE PROPERTY OF DIGITAL EQUIPMENT CORPORATION AND SHALL NOT BE REPRODUCED OR COPIED OR USED IN WHOLE OR IN PART AS THE BASIS FOR THE MANUFACTURE OR SALE OF ITEMS WITHOUT WRITTEN PERMISSION. COPYRIGHT © 1973 DIGITAL EQUIPMENT CORPORATION																					
NEXT HIGHER ASSY.		E-AD-7009236-0-0	SIZE																		
SCALE <u>1:1</u>		CODE	NUMBER																		
SHEET 1 OF 5		B CS	M7771-0-1																		
DIST.		REV.	D																		

This drawing and specifications, herein, are the property of Digital Equipment Corporation and shall not be reproduced or copied in whole or in part, or the basis for the manufacture of any other similar design without the written permission of Digital Equipment Corporation.

COPYRIGHT © 1973  
DIGITAL EQUIPMENT CORPORATION

**NOTES:**

1. UNLESS OTHERWISE SPECIFIED:
- a. RESISTORS ARE 1/4W, ±5%.
- b. RESISTANCE IS IN OHMS.
2. BW-DENOTES BACKBOARD WIRE
3. P5-DENOTES POWER SUPPLY
4. REFER TO WIRE LIST (PIN SORT) FOR SOURCE AND/OR DESTINATIONS
5. FOR VARIATION CUT ETCH SIDE 1 AT E12-12. ADD WIRE FROM E10-10 TO E12-13 AND STAMP HANDLE "YA".



DEC 74123	.8	16
DEC 7498	10	5
DEC 74161	8	16
IC TYPE	GND	+5V

GND AND 5V ARE USUALLY PIN 7 AND 14 RESPECTIVELY. EXCEPTIONS ARE STATED ABOVE.

IC PIN LOCATIONS

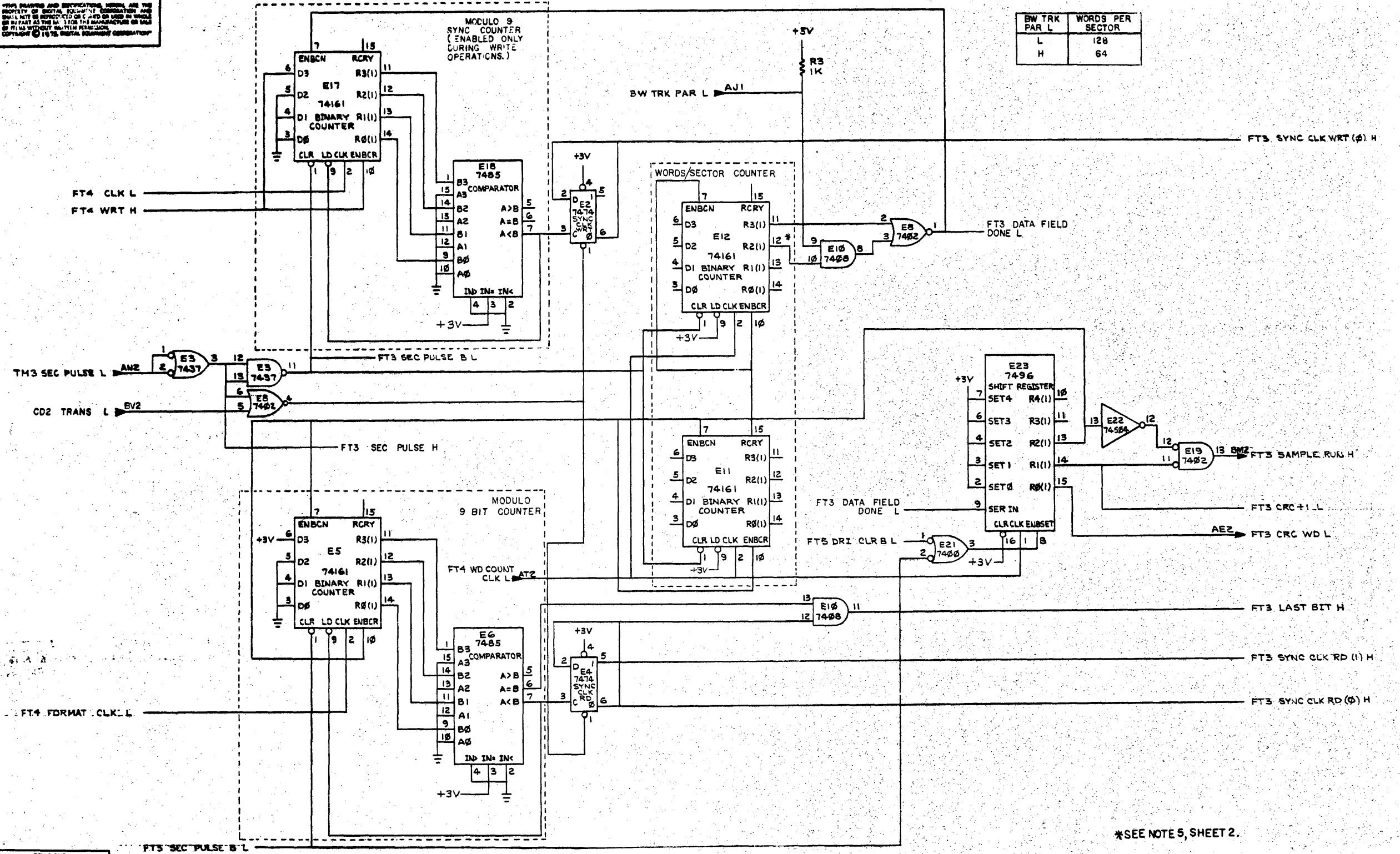
REF	X-Y COORDINATE HOLE LOCATION	K-CO-M771-0-4	1	
REF	ASSY/DRILLING HOLE LAYOUT	O-AH-M771-0-5	2	
REF	MODULE ECO HISTORY	B-MH-M771-0-6	3	
1	ETCHED CIRCUIT BOARD	5010383	4	
1	C32	CAPACITOR, 330PF, 100V, ±5% DM	1000023	5
30	C1-C30	CAPACITOR, .01µF, 50V, ±20% AXCR	11001610	6
1	C31	CAPACITOR, 6.8µF, 35V, ±10% STANT	1005306	7
1	D1	DIODE, D672	1105275	8
1	R1	RESISTOR, 330Ω, 1/4W, ±5%	1300295	9
1	R3	RESISTOR, 1K, 1/4W, ±5%	1300365	10
1	R2	RESISTOR, 750Ω, 1/4W, ±5%	1301401	11
1	R4	RESISTOR, 22KΩ, 1/4W, ±5%	1301808	12
6	E2, E4, E7, E13, E24, E28	I.C. 7474	1905547	13
2	E21, E27	I.C. 7400	1905575	14
1	E14	I.C. 7410	1905576	15
1	E9	I.C. 7420	1905577	16
1	E1	I.C. 7401	1905590	17
2	E8, E19	I.C. 7402	1909004	18
1	E29	I.C. 7490	1909051	19
1	E30	I.C. 74155	1909063	20
1	E20	I.C. 7404	1909686	21
2	E3, E15	I.C. 7497	1910091	22
1	E10	I.C. 7408	1910155	23
2	E6, E18	I.C. 7485	1910224	24
1	E23	I.C. 7496	1910363	25
1	E25	I.C. 74123	1910436	26
1	E16	I.C. 74500	1910532	27
1	E22	I.C. 74504	1910534	28
4	E5, E11, E12, E17	I.C. 74161	1910650	29
1	E26	I.C. 7427	1910878	30
1	L1	INDUCTOR, 2.2µH	1609756	31
2		HANDLE, FLIP CHIP, MAGENTA	9008337-6	32
4		EYELET GS-4-T	9006732	33
1	C33	CAPACITOR, 33 PF, 100V, ±5% DM	1000009	34
1	R5	RESISTOR, 5.6KΩ, 1/4W, ±5% CC	1301874	35

QTY	REF DESIGNATION	DESCRIPTION	PART NO.	ITEM NO.
PARTS LIST				
FIRST USED ON OPTION MODEL RS03/04				
ETCH BOARD REV D				
DRN	DATE	digital EQUIPMENT CORPORATION		
CHK	DATE	MAYARD MASSACHUSETTS		
ENG	DATE	TITLE		
PROJ. ENG.	DATE	FORMAT		
PROD.	DATE	E-AD-7009236-0-0		
NEXT HIGHER ASSY	DATE	SCALE 1:1		
DEC NO.	EIA NO.	DEC NO.	EIA NO.	REV. 0
SEMICONDUCTOR CONVERSION CHART				
SHEET 2 OF 5				
DCS M771-0-1				



THIS DRAWING AND SPECIFICATIONS HEREAFTER ARE THE PROPERTY OF DIGITAL EQUIPMENT CORPORATION AND SHALL NOT BE REPRODUCED OR USED IN WHOLE OR IN PART AS THE BASIS FOR THE MANUFACTURE OR SALE OF ITEMS WITHOUT WRITTEN PERMISSION. COPYRIGHT © 1978, DIGITAL EQUIPMENT CORPORATION.

BW TRK PAR L	WORDS PER SECTOR
L	128
H	64



\*SEE NOTE 5, SHEET 2.

REVISIONS		
CHK	CHANGE NO.	REV.

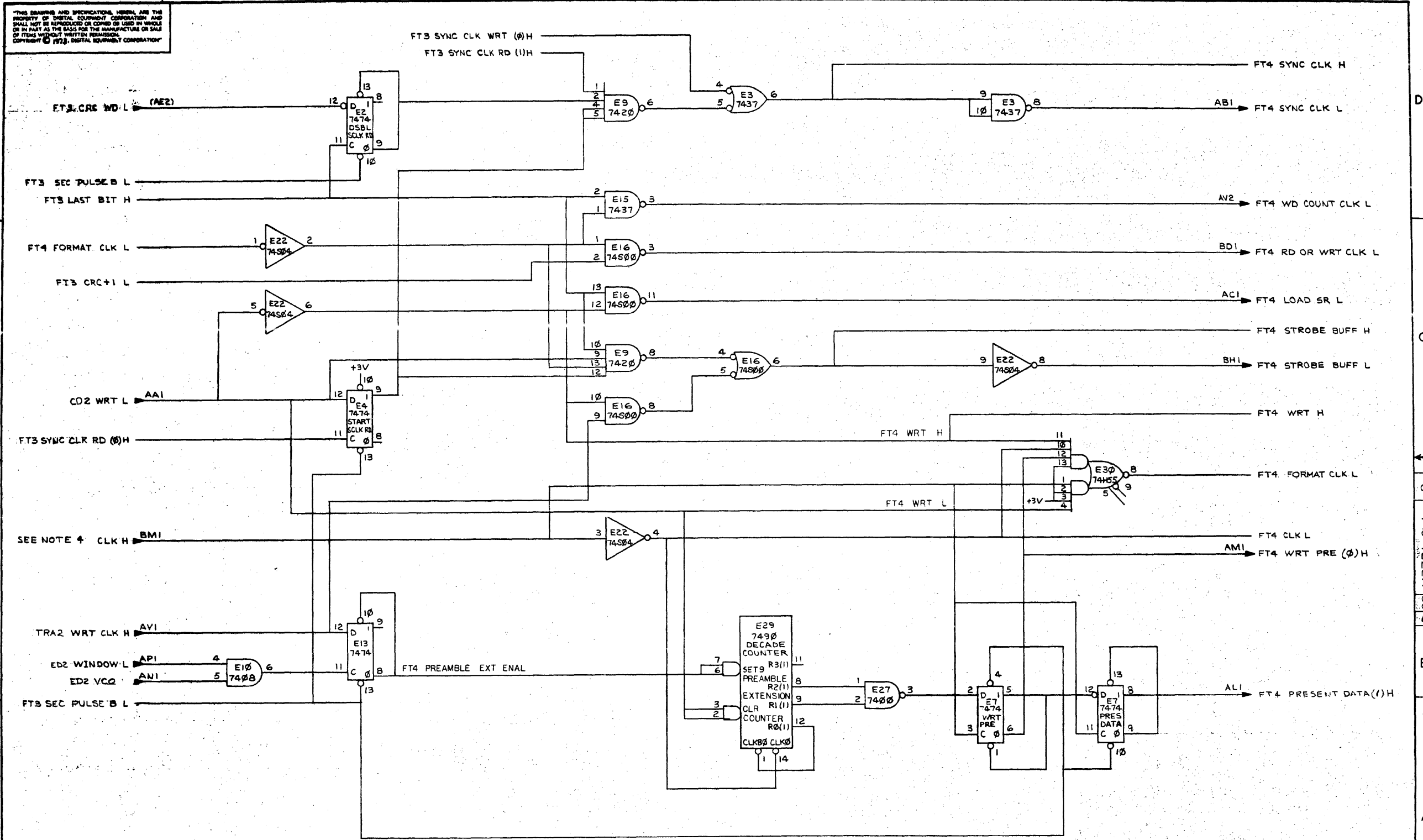
TITLE	SIZE CODE	NUMBER	REV.
FORMAT (FT3)	DCS	M771-0-1	D

SECTOR FORMAT COUNTERS

SCALE: / / / SHEET 3 OF 5 DIST. / / /

DCS M771-0-1

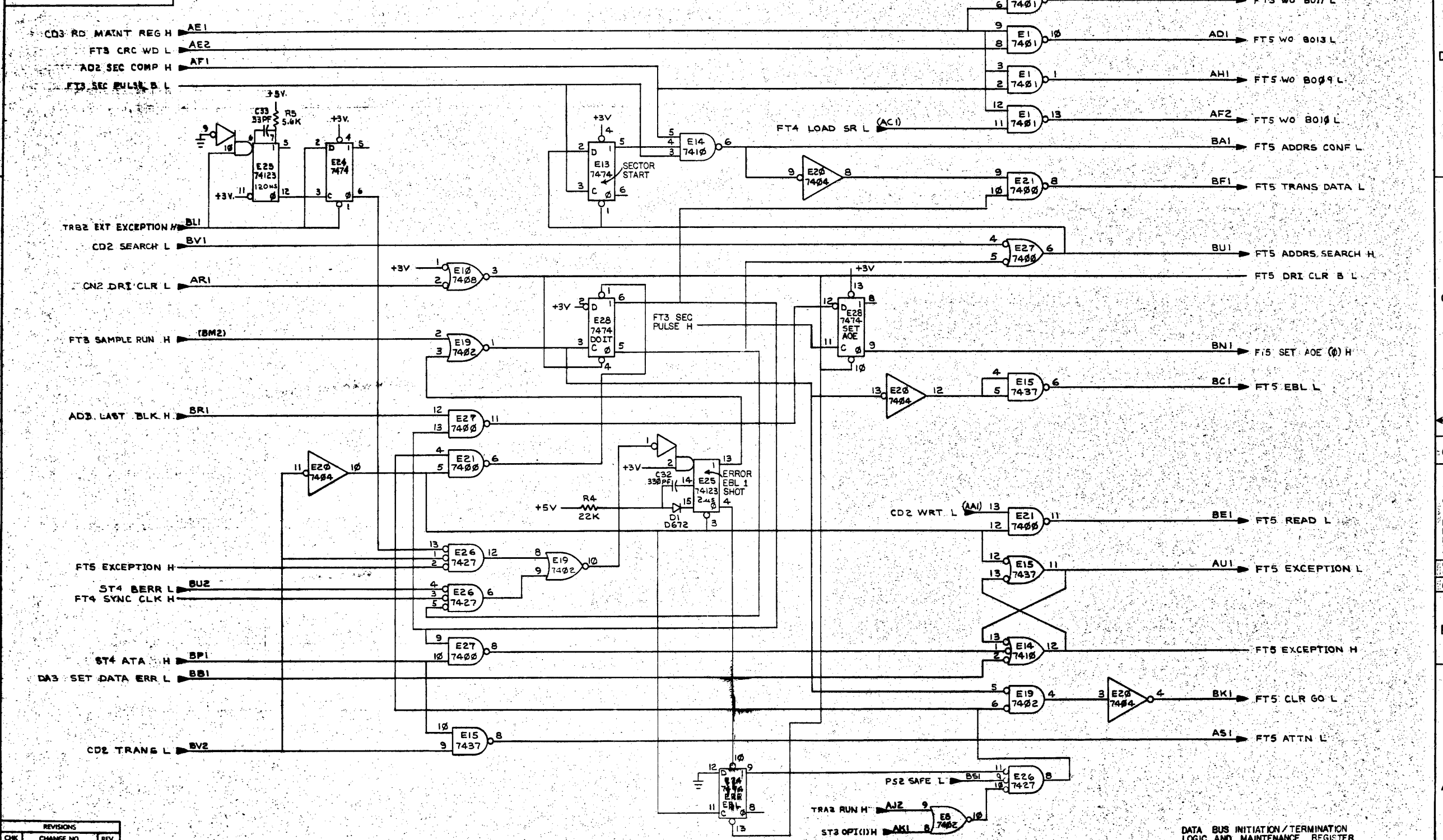
THIS DRAWING AND SPECIFICATIONS HEREIN ARE THE PROPERTY OF DIGITAL EQUIPMENT CORPORATION AND SHALL NOT BE REPRODUCED OR COPIED OR USED IN WHOLE OR IN PART AS THE BASIS FOR THE MANUFACTURE OR SALE OF ITEMS WITHOUT WRITTEN PERMISSION. COPYRIGHT © 1973, DIGITAL EQUIPMENT CORPORATION



REVISIONS		
CHK	CHANGE NO.	REV.

THIS DRAWING AND SPECIFICATIONS HEREAFTER ARE THE PROPERTY OF DIGITAL EQUIPMENT CORPORATION AND SHALL NOT BE REPRODUCED OR COPIED OR USED IN WHOLE OR IN PART AS THE BASIS FOR THE MANUFACTURE OR SALE OF ITEMS WITHOUT WRITTEN PERMISSION.  
 COPYRIGHT © 1979, DIGITAL EQUIPMENT CORPORATION

FT4 STROBE BUFF H



REVISIONS		
CHK	CHANGE NO.	REV.

TITLE		SIZE	CODE	NUMBER	REV.
FORMAT (FT5)		D	C	M7771-0-1	0
SCALE		SHEET 5 OF 5		DIST.	

This drawing and specifications, herein, are the property of Digital Equipment Corporation and shall not be reproduced or copied or used in whole or in part as the basis for the manufacture or sale of items without written permission.

Copyright © 1973  
Digital Equipment Corporation

For information regarding W906 Shield Module,  
See Drawing No. D-CS-W907-0-1


REV.

NUMBER

SIZE CODE  
A CS

W906-0-1


REVISIONS	REV.	
	CHANGE NO.	
CHK		

DO NOT SCALE DRAWING		DRN. F. Carberry	DATE 7/2/73	 <b>digital</b> EQUIPMENT CORPORATION MAYNARD, MASSACHUSETTS		
UNLESS OTHERWISE SPECIFIED DIMENSION IN INCHES		CHK'D.	DATE			
TOLERANCES		ENG.	DATE			
DECIMALS	FRACTIONS	ANGLES				
± .005	± 1/64	± 0°30'				
FINAL SURFACE QUALITY ✓		PROJ. ENG.	DATE			
REMOVE BURRS AND BREAK SHARP CORNERS		PROD.	DATE			
MATERIAL		FIRST USED ON		TITLE  SHIELD MODULE		
_____		RS03/04				
FINISH		SCALE				
_____		_____				
		SHEET	OF 1	SIZE CODE	NUMBER	REV.
		A	CS	W906-0-1		
		DIST.				

This drawing and specifications, herein, are the property of Digital Equipment Corporation and shall not be reproduced or copied or used in whole or in part as the basis for the manufacture or sale of items without written permission.

COPYRIGHT © 1973  
DIGITAL EQUIPMENT CORPORATION

REVISIONS	CHANGE NO.	REV.
JK	RS04-00003	A
S. Gilbert 12-9-73		
T. FAVA		
TF FAVA 12-17-73		
JK	RS04-00007	B
G. Wheeler 4-18-74		
N. FIELD		
N. Field 4/25/74		
JK	RS04-00010	C
S. Chatter 7-18-74		
FAVA		
TF FAVA 7-24-74		
JK	RS04-00011	D
G. Wheeler 8-30-74		
MCLEAN		
9/1/74		
JK	RS04-00014	E

FIRST USED ON OPTION MODEL	QTY.	DESCRIPTION	PART NO.	ITEM NO.
RS04				
PARTS LIST				
DRN.	DATE	<div style="text-align: center;">  <p><b>digital EQUIPMENT CORPORATION</b> MAYNARD, MASSACHUSETTS</p> </div>		
CHK'D.	DATE			
ENG.	DATE			
PROJ. ENG.	DATE			
PROD.	DATE			
NEXT HIGHER ASSEMBLY		TITLE		
D-AD-7002351-0-		WIRE LIST (RS04)		
SCALE		SIZE CODE	NUMBER	REV.
		K WL	RS04-0-WL	E
SHEET	1 OF 1	DIST.		

RS04.F  
RUN NAME

MND288.V23(23) 05/24/74

9-JAN-75

11124

PAGE 1

A/P	PIN NAME	ORDER PIN	BAY - ORDER	Q	DRW	KV	PG	Y	X	Z	REMARKS	LENGTH	EXCEPTIONS	RUN NUMBER
+20V	A06D2		1-01 *	H						1	24 AWG		HAND WIRE	1
+20V	A09D2		1-02 *	H						2	24 AWG		HAND WIRE	1
+20V	A12D2		1-03 *	H						1	24 AWG		HAND WIRE	1
+20V	A14D2		1-04 *	H						2	24 AWG		HAND WIRE	1
+20V	A16A1		1-05 *	H						1	24 AWG		HAND WIRE	1
+20V	A16D2		1-06 *	H						2	24 AWG		HAND WIRE	1
+20V	A17D2		1-07 *	H						1	24 AWG		HAND WIRE	1
+20V	A18D2		1-08 *	H						2	24 AWG		HAND WIRE	1
+20V	A19D2		1-09 *	H						1	24 AWG		HAND WIRE	1
+20V	A20D2		1-10 *	H						2	24 AWG		HAND WIRE	1
+20V	A21D2		1-11 *	H						1	24 AWG		HAND WIRE	1
+20V	A22D2		1-12 *	H						2	24 AWG		HAND WIRE	1
+20V	A23D2		1-13 *	H						1	24 AWG		HAND WIRE	1
+20V	A24D2		1-14 *	H						2	24 AWG		HAND WIRE	1
+20V	B24D2		1-15 *	H						1	24 AWG		HAND WIRE	1
+20V	B23D2		1-16 *	H						2	24 AWG		HAND WIRE	1
+20V	B22D2		1-17 *	H						1	24 AWG		HAND WIRE	1
+20V	B21D2		1-18 *	H						2	24 AWG		HAND WIRE	1
+20V	B20D2		1-19 *	H						1	24 AWG		HAND WIRE	1
+20V	B19D2		1-20 *	H						2	24 AWG		HAND WIRE	1
+20V	B18D2		1-21 *	H						1	24 AWG		HAND WIRE	1
+20V	B17D2		1-22 *	H						2	24 AWG		HAND WIRE	1
+20V	B16D2		1-23 *	H						1	24 AWG		HAND WIRE	1
+20V	B14D2		1-24 *	H						2	24 AWG		HAND WIRE	1
+20V	B12D2		1-25 *	H							24 AWG		H TO WIRE	1
												72-4/8		1
AD2 ASYNC PAR ERR	L	A05C1	1-01 *							1				2
AD2 ASYNC PAR FRR	L	A07N1	1-02 *											2
AD2 ASYNC PAR FRR												4-0/8		2
AD2 DC PAO	L	A07M1	1-01 *							1				3
AD2 DC PAO	L	B03D1	1-02 *											3
AD2 DC PAO												5-0/8		3
AD2 INV ADD	H	A05K1	1-01 *							1				4
AD2 INV ADD	H	B07K1	1-02 *											4
AD2 INV ADD												4-6/8		4
AD2 SEC COMP	H	A07N2	1-01 *							1				5
AD2 SEC COMP	H	A0AF1	1-02 *											5
AD2 SEC COMP												3-2/8		5

RS04.E RUN NAME	A/P	HND288.V23(23) PIN NAME	05/24/74 ORDER PIN	BAY = ORDER	Q	DRAW	RV	PG	Y	X	Z	REMARKS	9-JAN-75 LENGTH	11129 EXCEPTIONS	PAGE 2 RUN NUMBER
AD2 TRK 1X	H	A07V1		1-01 *							1				
AD2 TRK 1X	H	B18V2		1-02 *							2				
AD2 TRK 1X	H	B19V2		1-03 *							1				
AD2 TRK 1X	H	B20V2		1-04 *							2				
AD2 TRK 1X	H	B22V2		1-05 *							1				
AD2 TRK 1X	H	B23V2		1-06 *							2				
AD2 TRK 1X	H	B24V2		1-07 *											
AD2 TRK 1X				1									23=4/8		
AD2 TRK 2X	H	A07U1		1-01 *							1				7
AD2 TRK 2X	H	B18U2		1-02 *							2				7
AD2 TRK 2X	H	B19U2		1-03 *							1				7
AD2 TRK 2X	H	B20U2		1-04 *							2				7
AD2 TRK 2X	H	B22U2		1-05 *							1				7
AD2 TRK 2X	H	B23U2		1-06 *							2				7
AD2 TRK 2X	H	B24U2		1-07 *											7
AD2 TRK 2X				1									23=4/8		
AD2 TRK 4X	H	B07M1		1-01 *							1				8
AD2 TRK 4X	H	B18T2		1-02 *							2				8
AD2 TRK 4X	H	B19T2		1-03 *							1				8
AD2 TRK 4X	H	B20T2		1-04 *							2				8
AD2 TRK 4X	H	B22T2		1-05 *							1				8
AD2 TRK 4X	H	B23T2		1-06 *							2				8
AD2 TRK 4X	H	B24T2		1-07 *											8
AD2 TRK 4X				1									22=6/8		8
AD2 TRK X1	H	B07L1		1-01 *							1				4
AD2 TRK X1	H	B18K2		1-02 *							2				4
AD2 TRK X1	H	B19K2		1-03 *							1				4
AD2 TRK X1	H	B20K2		1-04 *							2				4
AD2 TRK X1	H	B22K2		1-05 *							1				4
AD2 TRK X1	H	B23K2		1-06 *							2				4
AD2 TRK X1	H	B24K2		1-07 *											4
AD2 TRK X1				1									22=2/8		4
AD2 TRK X2	H	B07K2		1-01 *							1				10
AD2 TRK X2	H	B18L2		1-02 *							2				10
AD2 TRK X2	H	B19L2		1-03 *							1				10
AD2 TRK X2	H	B20L2		1-04 *							2				10
AD2 TRK X2	H	B22L2		1-05 *							1				10
AD2 TRK X2	H	B23L2		1-06 *							2				10
AD2 TRK X2	H	B24L2		1-07 *											10
AD2 TRK X2				1									22=2/8		10

RS04.E RUN NAME	A/P	HND288.V23(23) PIN NAME	05/24/74 ORDER PIN	BAY = ORDER	Q	DRAW	RV	PG	Y	X	Z	REMARKS	9-JAN-75 LENGTH	11129 EXCEPTIONS	PAGE 3 RUN NUMBER
AD2 TRK X4	H	B07J1		1-01 *							1				11
AD2 TRK X4	H	B18M2		1-02 *							2				11
AD2 TRK X4	H	B19P2		1-03 *							1	TRKX4 40=77 H			11
AD2 TRK X4	H	B20N2		1-04 *							2				11
AD2 TRK X4	H	B22M2		1-05 *							1				11
AD2 TRK X4	H	B23P2		1-06 *							2	TRKX4 40=77 H			11
AD2 TRK X4	H	B24N2		1-07 *											11
AD2 TRK X4				1									23=4/8		11
AD2 W0 B000	L	A07M2		1-01 *							1				12
AD2 W0 B000	L	A06V1		1-02 *							2	CD3 W0 B000 L			12
AD2 W0 B000	L	B03N2		1-03 *							1	ST5 W0 B000 L			12
AD2 W0 B000	L	B18F2		1-04 *								TM4 W0 B000 L			12
AD2 W0 B000				1									16=2/8		12
AD2 W0 B001	L	A07L2		1-01 *							1				13
AD2 W0 B001	L	A06U1		1-02 *							2	CD3 W0 B001 L			13
AD2 W0 B001	L	B05M2		1-03 *							1	ST5 W0 B001 L			13
AD2 W0 B001	L	B18E2		1-04 *								TM4 W0 B001 L			13
AD2 W0 B001				1									16=2/8		13
AD3 LAST BLK	H	B05E1		1-01 *							2				14
AD3 LAST BLK	H	B07A1		1-02 *							1				14
AD3 LAST BLK	H	B08A1		1-03 *											14
AD3 LAST BLK				1									7=6/8		14
AD3 PROTECTED	L	A06B1		1-01 *							2				15
AD3 PROTECTED	L	A07P1		1-02 *							1				15
AD3 PROTECTED	L	B05V1		1-03 *											15
AD3 PROTECTED				1									10=0/8		15
AT02 SP GATE (0)	H	B18R2		1-01 *							2				16
AT02 SP GATE (0)	H	B19R2		1-02 *							1				16
AT02 SP GATE (0)	H	B20F1		1-03 *											16
AT02 SP GATE (0)				1									6=2/8		16
AT02 SP GATE (1)	H	B22R2		1-01 *							2				17
AT02 SP GATE (1)	H	B23K2		1-02 *							1				17
AT02 SP GATE (1)	H	B24F1		1-03 *											17
AT02 SP GATE (1)				1									6=2/8		17
BW RS04	L	B07T1		1-01 *							1				18
BW RS04	L	B07V1		1-02 *											18
BW RS04				1									2=4/8		18

RSD4.E RUN NAME	A/P	HND288.V23(23) 05/24/74			Q	DRAW	RV	PG	Y	X	Z	REMARKS	9-JAN-75	11129	PAGE 4
		PIN	ORDER	BAY #									LENGTH	EXCEPTIONS	RUN NUMBER
BW TRK PAR	L	A08C2		1-01 *							2				19
BW TRK PAR	L	A08J1		1-02 *							1				19
BW TRK PAR	L	B07U2		1-03 *								9-4/8			19
BW TRK PAR	L			1											19
CD2 CLR FUNCTION	L	A04K2		1-01 *							1				20
CD2 CLR FUNCTION	L	B06N1		1-02 *								5-6/8			20
CD2 CLR FUNCTION	L			1											20
CD2 DRIVE ACTIVE (1)	H	B04J1		1-01 *							1				21
CD2 DRIVE ACTIVE (1)	H	B06V1	80772	1-02 *							2				21
CD2 DRIVE ACTIVE (1)	H	B0772		1-03 *								7-2/8			21
CD2 DRIVE ACTIVE (1)	H			1											21
CD2 GO (1)	H	A05H2		1-01 *							1				22
CD2 GO (1)	H	B06U1		1-02 *								6-4/8			22
CD2 GO (1)	H			1											22
CD2 SEARCH	L	B05R2		1-01 *							1				23
CD2 SEARCH	L	B06P2		1-02 *							2				23
CD2 SEARCH	L	B08V1		1-03 *								6-2/8			23
CD2 SEARCH	L			1											23
CD2 SET ATA	H	A05H1		1-01 *							1				24
CD2 SET ATA	H	B06S2		1-02 *								6-4/8			24
CD2 SET ATA	H			1											24
CD2 SET ILL FUNCT ERR	L	A06J2		1-01 *							1				25
CD2 SET ILL FUNCT ERR	L	B05R1		1-02 *								6-2/8			25
CD2 SET ILL FUNCT ERR	L			1											25
CD2 TRANS	L	A06E2		1-01 *							1				26
CD2 TRANS	L	B03P2		1-02 *							2				26
CD2 TRANS	L	B08V2		1-03 *								12-0/8			26
CD2 TRANS	L			1											26
CD2 WRT	L	A14R2		1-01 *							2				27
CD2 WRT	L	A12R2		1-02 *							1				27
CD2 WRT	L	A09E1		1-03 *							2				27
CD2 WRT	L	A0AA1		1-04 *							1				27
CD2 WRT	L	A06K2		1-05 *							2				27
CD2 WRT	L	B05P1		1-06 *							1				27
CD2 WRT	L	B10R2		1-07 *								26-0/8			27
CD2 WRT	L			1											27

RSD4.E RUN NAME	A/P	HND288.V23(23) 05/24/74			Q	DRAW	RV	PG	Y	X	Z	REMARKS	9-JAN-75	11129	PAGE 5
		PIN	ORDER	BAY #									LENGTH	EXCEPTIONS	RUN NUMBER
CD3 CLR ATTN	H	A05J1		1-01 *							1				28
CD3 CLR ATTN	H	B06R2		1-02 *								6-2/8			28
CD3 CLR ATTN	H			1											28
CD3 M RD B	H	B06H2		1-01 *	1						1				29
CD3 M RD B	H	B12E2		1-02 *								5-4/8			29
CD3 M RD B	H			1											29
CD3 M RD T	H	A06S2		1-01 *	1						1				30
CD3 M RD T	H	B14E2		1-02 *								7-0/8			30
CD3 M RD T	H			1											30
CD3 MAINT	H	A06H1		1-01 *							1				31
CD3 MAINT	H	B10P1		1-02 *							2				31
CD3 MAINT	H	B12P2		1-03 *							1				31
CD3 MAINT	H	B14P2		1-04 *							1				31
CD3 MAINT	H	A16T2		1-05 *								18-2/8			31
CD3 MAINT	H			1											31
CD3 MAINT	L	A06J1		1-01 *							1				32
CD3 MAINT	L	B17S2		1-02 *							2				32
CD3 MAINT	L	B21S2		1-03 *								13-6/8			32
CD3 MAINT	L			1											32
CD3 MCLK	H	A06L1		1-01 *							1				33
CD3 MCLK	H	B10M1		1-02 *								6-0/8			33
CD3 MCLK	H			1											33
CD3 MIND	H	A06V2		1-01 *							2				34
CD3 MIND	H	B10R1		1-02 *							1				34
CD3 MIND	H	A16U2		1-03 *								11-6/8			34
CD3 MIND	H			1											34
CD3 RD MAINT REG	H	A06E1		1-01 *							2				35
CD3 RD MAINT REG	H	A08E1		1-02 *							1				35
CD3 RD MAINT REG	H	B14M2		1-03 *							2				35
CD3 RD MAINT REG	H	B12M2		1-04 *								13-6/8			35
CD3 RD MAINT REG	H			1											35
CD3 W0 B005	L	A06T2		1-01 *							2				36
CD3 W0 B005	L	A07T2		1-02 *							1				36
CD3 W0 B005	L	A16S2		1-03 *								AD2 TM4			36
CD3 W0 B005	L			1									9-4/8		36



RS04.E RUN NAME	A/P	HND288.V23(23) PIN NAME	05/24/74 ORDER PIN	BAY * ORDER	Q	DRAW	RV	PG	Y	X	Z	REMARKS	9-JAN-75 LENGTH	11129 EXCEPTIONS	PAGE 6 RUN NUMBER
C03 WO 8006	L	A06L2		1-01 *							2				37
C03 WO 8006	L	A07S2		1-02 *							1	WO 8006 L			37
C03 WO 8006	L	A16N2		1-03 *								AD2 TH4			37
C03 WO 8006				1									10-4/8		37
CN2 C+M REG CLR	L	A04H2		1-01 *							1				38
CN2 C+M REG CLR	L	806N2		1-02 *											38
CN2 C+M REG CLR				1									6-2/8		38
CN2 CHK BUS PAR	L	A0501		1-01 *							1				39
CN2 CHK BUS PAR	L	804N1		1-02 *											39
CN2 CHK BUS PAR				1									6-4/8		39
CN2 CLK DRIVE ACTIVE	H	A04U2		1-01 *							1				40
CN2 CLK DRIVE ACTIVE	H	806S1		1-02 *											40
CN2 CLK DRIVE ACTIVE				1									5-2/8		40
CN2 CONT BUS ACTIVE	L	A04H1		1-01 *							1				41
CN2 CONT BUS ACTIVE	L	806L2		1-02 *											41
CN2 CONT BUS ACTIVE				1									6-0/8		41
CN2 DRI CLR	L	A04J2		1-01 *							1				42
CN2 DRI CLR	L	A05E1		1-02 *							2				42
CN2 DRI CLR	L	A06R1		1-03 *							1				42
CN2 DRI CLR	L	807U1		1-04 *							2				42
CN2 DRI CLR	L	806P1		1-05 *											42
CN2 DRI CLR				1									16-0/8		42

RS04.E RUN NAME	A/P	HND288.V23(23) PIN NAME	05/24/74 ORDER PIN	BAY * ORDER	Q	DRAW	RV	PG	Y	X	Z	REMARKS	9-JAN-75 LENGTH	11129 EXCEPTIONS	PAGE 7 RUN NUMBER
CN2 DSBL MBUS DRVRS	L	A03B1		1-01 *							1				43
CN2 DSBL MBUS DRVRS	L	A02B1		1-02 *							2				43
CN2 DSBL MBUS DRVRS	L	A01B1		1-03 *							1				43
CN2 DSBL MBUS DRVRS	L	A01J1		1-04 *							2				43
CN2 DSBL MBUS DRVRS	L	A02J1		1-05 *							1				43
CN2 DSBL MBUS DRVRS	L	A03J1		1-06 *							2				43
CN2 DSBL MBUS DRVRS	L	A03R1		1-07 *							1				43
CN2 DSBL MBUS DRVRS	L	A03U2		1-08 *							2				43
CN2 DSBL MBUS DRVRS	L	803J1		1-09 *							1				43
CN2 DSBL MBUS DRVRS	L	803M1		1-10 *							2				43
CN2 DSBL MBUS DRVRS	L	802J1		1-11 *							1				43
CN2 DSBL MBUS DRVRS	L	802M1		1-12 *							2				43
CN2 DSBL MBUS DRVRS	L	802K1		1-13 *							1				43
CN2 DSBL MBUS DRVRS	L	802N1		1-14 *							2				43
CN2 DSBL MBUS DRVRS	L	802M1		1-15 *							1				43
CN2 DSBL MBUS DRVRS	L	803M1		1-16 *							2				43
CN2 DSBL MBUS DRVRS	L	803J1		1-17 *							1				43
CN2 DSBL MBUS DRVRS	L	802S1		1-18 *							2				43
CN2 DSBL MBUS DRVRS	L	801R2		1-19 *							1				43
CN2 DSBL MBUS DRVRS	L	801S1		1-20 *							2				43
CN2 DSBL MBUS DRVRS	L	801N1		1-21 *							1				43
CN2 DSBL MBUS DRVRS	L	801M1	802R2	1-22 *							2				43
CN2 DSBL MBUS DRVRS	L	802R2	803S1	1-23 *							1				43
CN2 DSBL MBUS DRVRS	L	803S1	803R2	1-24 *							2				43
CN2 DSBL MBUS DRVRS	L	803R2		1-25 *							1				43
CN2 DSBL MBUS DRVRS	L	801M1		1-26 *							2				43
CN2 DSBL MBUS DRVRS	L	804J2		1-27 *											43
CN2 DSBL MBUS DRVRS				1									75-0/8		43
CN2 DSBL WRITE AMP	L	804K2		1-01 *							1				44
CN2 DSBL WRITE AMP	L	A17R2		1-02 *							2				44
CN2 DSBL WRITE AMP	L	A21R2		1-03 *											44
CN2 DSBL WRITE AMP				1									14-2/8		44
CN2 ENA CONT BUS OUT	H	A04T2		1-01 *							1				45
CN2 ENA CONT BUS OUT	H	A02U2		1-02 *							2				45
CN2 ENA CONT BUS OUT	H	A01U2		1-03 *							1				45
CN2 ENA CONT BUS OUT	H	801S2		1-04 *							2				45
CN2 ENA CONT BUS OUT	H	802S2		1-05 *							1				45
CN2 ENA CONT BUS OUT	H	803S2		1-06 *							2				45
CN2 ENA CONT BUS OUT	H	801F2		1-07 *							1				45
CN2 ENA CONT BUS OUT	H	802F2		1-08 *							2				45
CN2 ENA CONT BUS OUT	H	803F2		1-09 *											45
CN2 ENA CONT BUS OUT				1									25-6/8		45

RS04.E RUN NAME	A/P	HND288.V23(23) PIN NAME	05/24/74 ORDER PIN	BAY - ORDER	Q	DRAW	RV	PG	Y	X	Z	REMARKS	9-JAN-75 LENGTH	11129 EXCEPTIONS	PAGE 8 RUN NUMBER
CN2 ENA CONT BUS OUT	L	A01P1		1-01 *	1						1				46
CN2 ENA CONT BUS OUT	L	A01R1		1-02 *							2				46
CN2 ENA CONT BUS OUT	L	A02P1		1-03 *							1				46
CN2 ENA CONT BUS OUT	L	A02R1		1-04 *							2				46
CN2 ENA CONT BUS OUT	L	A03P1		1-05 *							1				46
CN2 ENA CONT BUS OUT	L	B04K1		1-06 *							2				46
CN2 ENA CONT BUS OUT	L	B07L2		1-07 *											46
CN2 ENA CONT BUS OUT				1									1904/8		46
CN2 ENABLE CLR FUNC	H	B04P1		1-01 *	1						1				47
CN2 ENABLE CLR FUNC	H	B06M1		1-02 *											47
CN2 ENABLE CLR FUNC				1									304/8		47
CN2 LD CONT REG	L	A04R1		1-01 *							1				48
CN2 LD CONT REG	L	B06U2		1-02 *											48
CN2 LD CONT REG				1									600/8		48
CN2 LD DES ADDR REG	L	A04R2		1-01 *							1				49
CN2 LD DES ADDR REG	L	B07B1		1-02 *											49
CN2 LD DES ADDR REG				1									402/8		49
CN2 LD ERR REG	L	A04N2		1-01 *							1				50
CN2 LD ERR REG	L	A05L1		1-02 *											50
CN2 LD ERR REG				1									206/8		50
CN2 LD MAINT REG	L	A04P2		1-01 *							1				51
CN2 LD MAINT REG	L	A06M2		1-02 *											51
CN2 LD MAINT REG				1									306/8		51
CN2 PWR UP ATTN	L	B01J1		1-01 *	2						2				52
CN2 PWR UP ATTN	L	A04J1		1-02 *							1				52
CN2 PWR UP ATTN	L	B06T2		1-03 *											52
CN2 PWR UP ATTN				1									1204/8		52
CN2 RD ATTN SUM REG	L	A04U1		1-01 *							1				53
CN2 RD ATTN SUM REG	L	A06P2		1-02 *											53
CN2 RD ATTN SUM REG				1									402/8		53
CN2 RD CONT REG	L	A06R2		1-01 *							1				54
CN2 RD CONT REG	L	B04E1		1-02 *											54
CN2 RD CONT REG				1									404/8		54
CN2 RD DES ADDR REG	L	A04V1		1-01 *							1				55
CN2 RD DES ADDR REG	L	A07L1		1-02 *											55
CN2 RD DES ADDR REG				1									402/8		55

RS04.E RUN NAME	A/P	HND288.V23(23) PIN NAME	05/24/74 ORDER PIN	BAY - ORDER	Q	DRAW	RV	PG	Y	X	Z	REMARKS	9-JAN-75 LENGTH	11129 EXCEPTIONS	PAGE 9 RUN NUMBER
CN2 RD DRI TYP REG	L	B04A1		1-01 *							1				56
CN2 RD DRI TYP REG	L	B05L2		1-02 *											56
CN2 RD DRI TYP REG				1									306/8		56
CN2 RD ERR REG	L	B04C1		1-01 *							1				57
CN2 RD ERR REG	L	B05M2		1-02 *											57
CN2 RD ERR REG				1									302/8		57
CN2 RD LK AMD REG	L	A04S2		1-01 *							1				58
CN2 RD LK AMD REG	L	B16U2		1-02 *											58
CN2 RD LK AMD REG				1									904/8		58
CN2 RD MAINT REG	L	A06P1		1-01 *							1				59
CN2 RD MAINT REG	L	B04B1		1-02 *											59
CN2 RD MAINT REG				1									500/8		59
CN2 RD STATUS REG	L	A05T2		1-01 *							1				60
CN2 RD STATUS REG	L	B04D1		1-02 *											60
CN2 RD STATUS REG				1									400/8		60
CN2 SET ILL REG ERR	L	B04M1		1-01 *							1				61
CN2 SET ILL REG ERR	L	B05N1		1-02 *											61
CN2 SET ILL REG ERR				1									302/8		61
CN2 SET RMR ERR	L	A04L2		1-01 *							1				62
CN2 SET RMR ERR	L	B05K1		1-02 *											62
CN2 SET RMR ERR				1									500/8		62
CN2 TRANSFER (0)	H	B03L2		1-01 *							1				63
CN2 TRANSFER (0)	H	B04R1		1-02 *											63
CN2 TRANSFER (0)				1									300/8		63
CN2 UNIT NUM 0	H	A06P1		1-01 *							1				64
CN2 UNIT NUM 0	H	B04U2		1-02 *											64
CN2 UNIT NUM 0				1									600/8		64
CN2 UNIT NUM 1	H	A06M2		1-01 *							1				65
CN2 UNIT NUM 1	H	B04N2		1-02 *											65
CN2 UNIT NUM 1				1									504/8		65
CN2 UNIT NUM 2	H	A06N2		1-01 *							1				66
CN2 UNIT NUM 2	H	B04M2		1-02 *											66
CN2 UNIT NUM 2				1									504/8		66
CN2 WRT ATTN SUM REG	L	B04S1		1-01 *							1				67
CN2 WRT ATTN SUM REG	L	B06E1		1-02 *											67
CN2 WRT ATTN SUM REG				1									400/8		67

RS04.E RUN NAME	A/P	HND288.V23(23) PIN NAME	05/24/74 ORDER PIN	BAY - ORDER	Q	DRAW	RV	PG	Y	X	Z	REMARKS	9-JAN-75 LENGTH	1129 EXCEPTIONS	PAGE 10 RUN NUMBER
DA2 DD 8000	L	A01E1		1-01 *							1				68
DA2 DD 8000	L	A07H1		1-02 *											68
DA2 DD 8000				1									6-4/8		68
DA2 DD 8001	L	A01C1		1-01 *							1				69
DA2 DD 8001	L	A09J2		1-02 *											69
DA2 DD 8001				1									7-0/8		69
DA2 DD 8002	L	A01M2		1-01 *							1				70
DA2 DD 8002	L	A09J1		1-02 *											70
DA2 DD 8002				1									6-4/8		70
DA2 DD 8003	L	A01L2		1-01 *							1				71
DA2 DD 8003	L	A09F2		1-02 *											71
DA2 DD 8003				1									6-4/8		71
DA2 DD 8004	L	A01P2		1-01 *							1				72
DA2 DD 8004	L	A09M2		1-02 *											72
DA2 DD 8004				1									6-4/8		72
DA2 DD 8005	L	A01N2		1-01 *							1				73
DA2 DD 8005	L	A09L2		1-02 *											73
DA2 DD 8005				1									6-4/8		73
DA2 DD 8006	L	A02E1		1-01 *							1				74
DA2 DD 8006	L	A09P2		1-02 *											74
DA2 DD 8006				1									6-4/8		74
DA2 DD 8007	L	A02C1		1-01 *							1				75
DA2 DD 8007	L	A09N2		1-02 *											75
DA2 DD 8007				1									6-6/8		75
DA2 DD 8008	L	A02M2		1-01 *							1				76
DA2 DD 8008	L	B09E2		1-02 *											76
DA2 DD 8008				1									6-6/8		76
DA2 DD 8009	L	A02L2		1-01 *							1				77
DA2 DD 8009	L	A09V1		1-02 *											77
DA2 DD 8009				1									6-0/8		77
DA2 DD 8010	L	A02P2		1-01 *							1				78
DA2 DD 8010	L	A09U1		1-02 *											78
DA2 DD 8010				1									5-6/8		78
DA2 DD 8011	L	A02N2		1-01 *							1				79
DA2 DD 8011	L	B09A1		1-02 *											79
DA2 DD 8011				1									6-0/8		79

RS04.E RUN NAME	A/P	HND288.V23(23) PIN NAME	05/24/74 ORDER PIN	BAY - ORDER	Q	DRAW	RV	PG	Y	X	Z	REMARKS	9-JAN-75 LENGTH	1129 EXCEPTIONS	PAGE 11 RUN NUMBER
DA2 DD 8012	L	A03E1		1-01 *							1				80
DA2 DD 8012	L	B09J1		1-02 *											80
DA2 DD 8012				1									6-6/8		80
DA2 DD 8013	L	A03C1		1-01 *							1				81
DA2 DD 8013	L	B09F1		1-02 *											81
DA2 DD 8013				1									6-6/8		81
DA2 DD 8014	L	A03M2		1-01 *							1				82
DA2 DD 8014	L	B09K1		1-02 *											82
DA2 DD 8014				1									6-2/8		82
DA2 DD 8015	L	A03L2		1-01 *							1				83
DA2 DD 8015	L	B09H1		1-02 *											83
DA2 DD 8015				1									6-0/8		83
DA2 DD 8016	L	A03P2		1-01 *							1				84
DA2 DD 8016	L	B09S2		1-02 *											84
DA2 DD 8016				1									6-4/8		84
DA2 DD 8017	L	A03N2		1-01 *							1				85
DA2 DD 8017	L	B09R1		1-02 *											85
DA2 DD 8017				1									6-4/8		85
DA2 DD PA0	L	A03U1		1-01 *							1				86
DA2 DD PA0	L	B09R2		1-02 *											86
DA2 DD PA0				1									6-6/8		86
DA2 NRZ RD DATA	H	A09N1		1-01 *							1				87
DA2 NRZ RD DATA	H	A10F2		1-02 *											87
DA2 NRZ RD DATA				1									3-4/8		87
DA2 SYNC PAR ERR	H	A05A1		1-01 *							1				88
DA2 SYNC PAR ERR	H	A04S1		1-02 *											88
DA2 SYNC PAR ERR				1									5-0/8		88
DA3 NRZ WRT DATA	L	A09A1		1-01 *							1				89
DA3 NRZ WRT DATA	L	B10J2		1-02 *											89
DA3 NRZ WRT DATA				1									6-2/8		89
DA3 SET DATA ERR	L	A09E2		1-01 *							1				90
DA3 SET DATA ERR	L	B08B1		1-02 *							2				90
DA3 SET DATA ERR	L	B05T2		1-03 *											90
DA3 SET DATA ERR				1									9-6/8		90

RSQ4.E RUN NAME	A/P	HND288.V23(23) PIN NAME	05/24/74 ORDER PIN	BAY = ORDER	Q	DRAW	KV	PG	Y	X	Z	REMARKS	9-JAN-75 LENGTH	11129 EXCEPTIONS	PAGE 12 RUN NUMBER
DS3 0 NRZ WRT DATA	H	810K2		1-01 *							1				91
DS3 0 NRZ WRT DATA	H	812P2		1-02 *											91
DS3 0 NRZ WRT DATA				1									3-4/8		91
DS3 1 NRZ WRT DATA	H	810L2		1-01 *							1				92
DS3 1 NRZ WRT DATA	H	814P2		1-02 *											92
DS3 1 NRZ WRT DATA				1									4-4/8		92
DS3 CLK	H	808M1		1-01 *							1				93
DS3 CLK	H	810S2		1-02 *											93
DS3 CLK				1									3-6/8		93
DS3 DESK MCLK		A16V2		1-01 *							1	MCLK H			94
DS3 DESK MCLK		814W2		1-02 *							2	MCLK H			94
DS3 DESK MCLK		812W2		1-03 *							1	MCLK H			94
DS3 DESK MCLK		810U2		1-04 *											94
DS3 DESK MCLK				1									11-4/8		94
DS3 PRESENT DATA	H	810N2		1-01 *							2				95
DS3 PRESENT DATA	H	812N2		1-02 *							1				95
DS3 PRESENT DATA	H	814N2		1-03 *											95
DS3 PRESENT DATA				1									6-4/8		95
DS3 WRT PRE (1)	H	810T2		1-01 *	1						1				96
DS3 WRT PRE (1)	H	812L2		1-02 *							2	WRT PRE (0) H			96
DS3 WRT PRE (1)	H	814L2		1-03 *								WRT PRE (0) H			96
DS3 WRT PRE (1)				1									7-0/8		96
ED2 CLK (0)	H	A10V1		1-01 *							1				97
ED2 CLK (0)	H	812J2		1-02 *											97
ED2 CLK (0)				1									4-4/8		97
ED2 CLK (1)	H	810M2		1-01 *							1				98
ED2 CLK (1)	H	814J2		1-02 *											98
ED2 CLK (1)				1									4-6/8		98
ED2 LOOP FDBK		A14F2		1-01 *							1				99
ED2 LOOP FDBK		A14E2		1-02 *											99
ED2 LOOP FDBK				1									2-4/8		99
ED2 NRZ0 RD DATA	H	A10U1		1-01 *							1				100
ED2 NRZ0 RD DATA	H	A12P2		1-02 *											100
ED2 NRZ0 RD DATA				1									3-6/8		100
ED2 NRZ1 RD DATA	H	A10L2		1-01 *							1				101
ED2 NRZ1 RD DATA	H	A14P2		1-02 *											101
ED2 NRZ1 RD DATA				1									4-6/8		101

RSQ4.E RUN NAME	A/P	HND288.V23(23) PIN NAME	05/24/74 ORDER PIN	BAY = ORDER	Q	DRAW	KV	PG	Y	X	Z	REMARKS	9-JAN-75 LENGTH	11129 EXCEPTIONS	PAGE 13 RUN NUMBER
ED2 RD SYNC	L	A12J2		1-01 *							1				102
ED2 RD SYNC	L	810P2		1-02 *											102
ED2 RD SYNC				1									6-2/8		102
ED2 VCO		A12E2		1-01 *	1						1				103
ED2 VCO		A12F2		1-02 *							2				103
ED2 VCO		A08N1		1-03 *							1				103
ED2 VCO		810F2		1-04 *											103
ED2 VCO				1									12-4/8		103
ED2 WINDOW	L	A08P1		1-01 *							1				104
ED2 WINDOW	L	812R2		1-02 *											104
ED2 WINDOW				1									6-2/8		104
ED2 WRT DATA PUL (0)	H	A12U2		1-01 *							1				105
ED2 WRT DATA PUL (0)	H	A17U2		1-02 *											105
ED2 WRT DATA PUL (0)				1									4-6/8		105
ED2 WRT DATA PUL (1)	H	A14U2		1-01 *							1				106
ED2 WRT DATA PUL (1)	H	A21U2		1-02 *											106
ED2 WRT DATA PUL (1)				1									5-6/8		106
ED2 WRT GATE (0)	H	A17V2		1-01 *							1				107
ED2 WRT GATE (0)	H	A12T2		1-02 *							2				107
ED2 WRT GATE (0)	H	810W2		1-03 *											107
ED2 WRT GATE (0)				1									9-4/8		107
ED2 WRT GATE (1)	H	A14T2		1-01 *							1				108
ED2 WRT GATE (1)	H	A21V2		1-02 *											108
ED2 WRT GATE (1)				1									6-0/8		108
FT3 CRC WD	L	A08E2		1-01 *							1				109
FT3 CRC WD	L	A09P1		1-02 *											109
FT3 CRC WD				1									3-4/8		109
FT3 SAMPLE RUN	H	A07C1		1-01 *							1				110
FT3 SAMPLE RUN	H	808M2		1-02 *											110
FT3 SAMPLE RUN				1									6-4/8		110
FT4 LOAD SR	L	A08C1		1-01 *							1				111
FT4 LOAD SR	L	A09C1		1-02 *											111
FT4 LOAD SR				1									2-6/8		111
FT4 RD OR WRT CLK	L	A09B1		1-01 *							1				112
FT4 RD OR WRT CLK	L	808D1		1-02 *							2				112
FT4 RD OR WRT CLK	L	810U1		1-03 *											112
FT4 RD OR WRT CLK				1									9-6/8		112

RS04.E RUN NAME	A/P	MND288,023(23) PIN NAME	05/24/74 ORDER PIN	DAY - ORDER	Q	DRAW	KV	PG	Y	X	Z	REMARKS	9-JAN-75 LENGTH	11124 EXCEPTIONS	PAGE 14 RUN NUMBER
FTU STROBE BUFF	L	A09D1		1-01 *							1				113
FTU STROBE BUFF	L	B08M1		1-02 *											113
FTU STROBE BUFF				1									5-6/8		113
FTU SYNC CLK	L	A08B1		1-01 *							1				114
FTU SYNC CLK	L	B01P2		1-02 *											114
FTU SYNC CLK				1									8-0/8		114
FTU WD COUNT CLK	L	A08T2		1-01 *							1				115
FTU WD COUNT CLK	L	A08V2		1-02 *											115
FTU WD COUNT CLK				1									2-4/8		115
FTS ADDR5 CONF	L	A05D1		1-01 *							1				116
FTS ADDR5 CONF	L	B08A1		1-02 *											116
FTS ADDR5 CONF				1									5-2/8		116
FTS ATTN	L	A06C1		1-01 *							1				117
FTS ATTN	L	A05K2		1-02 *							2				117
FTS ATTN	L	A08S1		1-03 *							1				117
FTS ATTN	L	B01L2		1-04 *											117
FTS ATTN				1									13-6/8		117
FTS CLR GO	L	A06D1		1-01 *							1				118
FTS CLR GO	L	B08K1		1-02 *											118
FTS CLR GO				1									6-0/8		118
FTS EBL	L	A05J2		1-01 *							1				119
FTS EBL	L	B08C1		1-02 *							2				119
FTS EBL	L	B07V2		1-03 *							1				119
FTS EBL	L	B02L2		1-04 *											119
FTS EBL				1									14-4/8		119
FTS EXCEPTION	L	A08U1		1-01 *							1				120
FTS EXCEPTION	L	B02P2		1-02 *											120
FTS EXCEPTION				1									6-0/8		120
FTS READ	L	B08E1		1-01 *							1				121
FTS READ	L	B10V1		1-02 *											121
FTS READ				1									4-4/8		121
FTS SET AOE (0)	M	A05M1		1-01 *							1				122
FTS SET AOE (0)	M	B08N1		1-02 *											122
FTS SET AOE (0)				1									6-0/8		122

RS04.E RUN NAME	A/P	MND288,023(23) PIN NAME	05/24/74 ORDER PIN	DAY - ORDER	Q	DRAW	KV	PG	Y	X	Z	REMARKS	9-JAN-75 LENGTH	11124 EXCEPTIONS	PAGE 15 RUN NUMBER
FTS TRANS DATA	L	A07K1		1-01 *							1				123
FTS TRANS DATA	L	B08F1		1-02 *							2				123
FTS TRANS DATA	L	B10L2		1-03 *							1				123
FTS TRANS DATA	L	A12S2		1-04 *							2				123
FTS TRANS DATA	L	A14S2		1-05 *											123
FTS TRANS DATA				1									16-0/8		123
FTS W0 B013	L	A07D1		1-01 *							2				124
FTS W0 B013	L	A05S2		1-02 *							1	W0 B013 L			124
FTS W0 B013	L	B07P2		1-03 *								W0 B013 L			124
FTS W0 B013				1									7-4/8		124
GND		H01K1		1-01 *							2				125
GND		B03K1		1-02 *							1				125
GND		B03T1		1-03 *											125
GND				1									6-4/8		125
HM3 0 TRK X4 40-77	L	B19N2		1-01 *							1	SEL MM L			126
HM3 0 TRK X4 40-77	L	B19N2		1-02 *											126
HM3 0 TRK X4 40-77				1									2-4/8		126
HM3 1 TRK X4 40-77	L	B23M2		1-01 *							1	SEL MM L			127
HM3 1 TRK X4 40-77	L	B23M2		1-02 *											127
HM3 1 TRK X4 40-77				1									2-4/8		127
PS2 SAFE	L	A15A1		1-01 *							1				128
PS2 SAFE	L	A06A1		1-02 *							2				128
PS2 SAFE	L	A04E2		1-03 *							1				128
PS2 SAFE	L	B05A1		1-04 *							2				128
PS2 SAFE	L	B08S1		1-05 *											128
PS2 SAFE				1									17-4/8		128
R42 MS 01 (0)		B17E2		1-01 *							2				129
R42 MS 01 (0)		B18E2		1-02 *							1				129
R42 MS 01 (0)		B19E2		1-03 *							2				129
R42 MS 01 (0)		B20E2		1-04 *											129
R42 MS 01 (0)				1									8-2/8		129
R42 MS 01 (1)		B21E2		1-01 *							2				130
R42 MS 01 (1)		B22E2		1-02 *							1				130
R42 MS 01 (1)		B23E2		1-03 *							2				130
R42 MS 01 (1)		B24E2		1-04 *											130
R42 MS 01 (1)				1									8-2/8		130

RS04.E RUN NAME	A/P	HND288.V23(23) PIN NAME	05/24/74 ORDER PIN	BAY - ORDER	Q	DRAW	RV	PG	Y	X	Z	REMARKS	4-JAN-75 LENGTH	11129 EXCEPTIONS	PAGE 16 RUN NUMBER
RW2 HS 02 (0)		B17F2		1-01 *							2				131
RW2 HS 02 (0)		B18F2		1-02 *							1				131
RW2 HS 02 (0)		B19F2		1-03 *							2				131
RW2 HS 02 (0)		B20F2		1-04 *											131
RW2 HS 02 (0)				1									8-2/8		131
RW2 HS 02 (1)		B21F2		1-01 *							2				132
RW2 HS 02 (1)		B22F2		1-02 *							1				132
RW2 HS 02 (1)		B23F2		1-03 *							2				132
RW2 HS 02 (1)		B24F2		1-04 *											132
RW2 HS 02 (1)				1									8-2/8		132
RW2 RD DATA PUL (0)	H	A12N2		1-01 *							1				133
RW2 RD DATA PUL (0)	H	A17N2		1-02 *											133
RW2 RD DATA PUL (0)				1									4-6/8		133
RW2 RD DATA PUL (1)	H	A14N2		1-01 *							1				134
RW2 RD DATA PUL (1)	H	A21N2		1-02 *											134
RW2 RD DATA PUL (1)				1									5-6/8		134
ST3 OPI (1)	H	A05V2		1-01 *							1				135
ST3 OPI (1)	H	A08K1		1-02 *											135
ST3 OPI (1)				1									4-0/8		135
ST3 SET CONT PAR ERR	H	A04K1		1-01 *							1				136
ST3 SET CONT PAR ERR	H	B05C1		1-02 *											136
ST3 SET CONT PAR ERR				1									4-4/8		136
ST4 ATA	H	A05F1		1-01 *							1				137
ST4 ATA	H	B08P1		1-02 *											137
ST4 ATA				1									6-4/8		137
ST4 BERR	L	B05S2		1-01 *							1				138
ST4 BERR	L	B08U2		1-02 *											138
ST4 BERR				1									4-0/8		138
ST4 COMP ERR	L	A05V1		1-01 *							1				139
ST4 COMP ERR	L	B06V2		1-02 *											139
ST4 COMP ERR				1									5-4/8		139
ST5 WO B012	L	A05R2		1-01 *							1				140
ST5 WO B012	L	B07R2		1-02 *	AD2						2	WO B012 L			140
ST5 WO B012	L	B12K2		1-03 *	ED2							MAINT WRT DATA L			140
ST5 WO B012				1									10-4/8		140

RS04.E RUN NAME	A/P	HND288.V23(23) PIN NAME	05/24/74 ORDER PIN	BAY - ORDER	Q	DRAW	RV	PG	Y	X	Z	REMARKS	4-JAN-75 LENGTH	11129 EXCEPTIONS	PAGE 17 RUN NUMBER
ST5 WO B014	L	A05N2		1-01 *							2				141
ST5 WO B014	L	B07N2		1-02 *	AD2						1	WO B014 L			141
ST5 WO B014	L	B14K2		1-03 *	ED2							MAINT WRT DATA L			141
ST5 WO B014				1									11-4/8		141
ST5 WO B015	L	A05M2		1-01 *							2				142
ST5 WO B015	L	B07M2		1-02 *	AD2						1	WO B015 L			142
ST5 WO B015	L	B17U2		1-03 *	ED2						2	WO B015 L			142
ST5 WO B015	L	B14U2		1-04 *	ED2							WO B015 L			142
ST5 WO B015				1									14-0/8		142
TM3 RESYNC	L	A07W2		1-01 *							1				143
TM3 RESYNC	L	B16N1		1-02 *											143
TM3 RESYNC				1									8-2/8		143
TM3 SEC PULSE	L	A21S2		1-01 *							1				144
TM3 SEC PULSE	L	A17S2		1-02 *							2				144
TM3 SEC PULSE	L	A14L2		1-03 *							1				144
TM3 SEC PULSE	L	A12L2		1-04 *							2				144
TM3 SEC PULSE	L	A08N2		1-05 *							1				144
TM3 SEC PULSE	L	B10E1		1-06 *							2				144
TM3 SEC PULSE	L	B09V1		1-07 *							1				144
TM3 SEC PULSE	L	B16V2		1-08 *											144
TM3 SEC PULSE				1									30-6/8		144
TM3 SET SYN	H	A12V2		1-01 *							2				145
TM3 SET SYN	H	A14V2		1-02 *							1				145
TM3 SET SYN	H	B16M1		1-03 *											145
TM3 SET SYN				1									7-6/8		145
TM4 INTERLEAVED	H	A16K1		1-01 *							1				146
TM4 INTERLEAVED	H	B05P2		1-02 *											146
TM4 INTERLEAVED				1									4-0/8		146
TM4 SEC ADD 00	H	A07F2		1-01 *							1				147
TM4 SEC ADD 00	H	A16P2		1-02 *											147
TM4 SEC ADD 00				1									7-0/8		147
TM4 SEC ADD 01	H	A07L2		1-01 *							1				148
TM4 SEC ADD 01	H	A16M2		1-02 *											148
TM4 SEC ADD 01				1									7-2/8		148
TM4 SEC ADD 02	H	A07A1		1-01 *							1				149
TM4 SEC ADD 02	H	A16F2		1-02 *											149
TM4 SEC ADD 02				1									7-4/8		149

RS04.E RUN NAME	A/P	HND288.V23(23) PIN NAME	05/24/74 ORDER PIN	BAY * ORDER	Q	DRAW	RV	PG	Y	X	Z	REMARKS	9-JAN-75 LENGTH	11129 EXCEPTIONS	PAGE 18 RUN NUMBER
TM4 SEC ADD 03	H	A0781		1-01 *							1				150
TM4 SEC ADD 03	H	A16J2		1-02 *											150
TM4 SEC ADD 03				1									7-4/8		150
TM4 SEC ADD 04	H	A07K1		1-01 *							1				151
TM4 SEC ADD 04	H	A16E2		1-02 *											151
TM4 SEC ADD 04				1									7-2/8		151
TM4 SEC ADD 05	H	A07J1		1-01 *							1				152
TM4 SEC ADD 05	H	A16F1		1-02 *											152
TM4 SEC ADD 05				1									7-0/8		152
TM4 W0 B002	L	A16R2		1-01 *							1				153
TM4 W0 B002	L	A07K2		1-02 *		AD2					2	W0 B002 L			153
TM4 W0 B002	L	A06N1		1-03 *		CD3					1	W0 B002 L			153
TM4 W0 B002	L	B05J2		1-04 *		ST5					1	W0 B002 L			153
TM4 W0 B002				1									15-2/8		153
TM4 W0 B003	L	A16V1		1-01 *							1				154
TM4 W0 B003	L	A07J2		1-02 *		AD2					2	W0 B003 L			154
TM4 W0 B003	L	A06M1		1-03 *		CD3					1	W0 B003 L			154
TM4 W0 B003	L	B05K2		1-04 *		ST5					1	W0 B003 L			154
TM4 W0 B003				1									15-6/8		154
TM4 W0 B004	L	A06U2		1-01 *		CD3					2	W0 B004 L			155
TM4 W0 B004	L	A07U2		1-02 *		AD2					1	W0 B004 L			155
TM4 W0 B004	L	A16U1		1-03 *											155
TM4 W0 B004				1									9-2/8		155
TM4 W0 B007	L	A05U1		1-01 *		ST5					1	W0 B007 L			156
TM4 W0 B007	L	A06K1		1-02 *		CD3					2	W0 B007 L			156
TM4 W0 B007	L	A07K2		1-03 *		AD2					1	W0 B007 L			156
TM4 W0 B007	L	A16L2		1-04 *											156
TM4 W0 B007				1									14-0/8		156
TM4 W0 B008	L	A16H2		1-01 *							1				157
TM4 W0 B008	L	B14T2		1-02 *		ED2					2	W0 B008 L			157
TM4 W0 B008	L	B12T2		1-03 *		ED2					1	W0 B008 L			157
TM4 W0 B008	L	B07H1		1-04 *		AD2					2	W0 B008 L			157
TM4 W0 B008	L	B05F2		1-05 *		ST5					1	W0 B008 L			157
TM4 W0 B008				1									18-4/8		157
TM4 W0 B009	L	A16K2		1-01 *							2				158
TM4 W0 B009	L	A08H1		1-02 *		FT5					1	W0 B009 L			158
TM4 W0 B009	L	B07H2		1-03 *		AD2					2	W0 B009 L			158
TM4 W0 B009	L	B05E2		1-04 *		ST5					1	W0 B009 L			158
TM4 W0 B009				1									15-4/8		158

RS04.E RUN NAME	A/P	HND288.V23(23) PIN NAME	05/24/74 ORDER PIN	BAY * ORDER	Q	DRAW	RV	PG	Y	X	Z	REMARKS	9-JAN-75 LENGTH	11129 EXCEPTIONS	PAGE 19 RUN NUMBER
TM4 W0 B010	L	A16J1		1-01 *							2				159
TM4 W0 B010	L	A08F2		1-02 *		FT5					1	W0 B010 L			159
TM4 W0 B010	L	B07F2		1-03 *		AD2					2	W0 B010 L			159
TM4 W0 B010	L	B05H1		1-04 *		ST5					1	W0 B010 L			159
TM4 W0 B010				1									15-2/8		159
TM4 W0 B011	L	A16M1		1-01 *							1				160
TM4 W0 B011	L	A08H2		1-02 *		FT5					2	W0 B011 L			160
TM4 W0 B011	L	B07E2		1-03 *		AD2					1	W0 B011 L			160
TM4 W0 B011	L	B06L1		1-04 *		CD3					2	W0 B011 L			160
TM4 W0 B011	L	B05J1		1-05 *		ST5					1	W0 B011 L			160
TM4 W0 B011				1									17-2/8		160
TMS CLK PULS	L	A12K2		1-01 *							2				161
TMS CLK PULS	L	A14K2		1-02 *							1				161
TMS CLK PULS	L	B16S2		1-03 *											161
TMS CLK PULS				1									9-4/8		161
TMS INDEX	L	A05F2		1-01 *							1				162
TMS INDEX	L	A12H2		1-02 *							2				162
TMS INDEX	L	A14H2		1-03 *							1				162
TMS INDEX	L	A16L1		1-04 *											162
TMS INDEX				1									12-4/8		162
TMS SET TIMING ERR	L	A05L2		1-01 *							1				163
TMS SET TIMING ERR	L	B16T2		1-02 *											163
TMS SET TIMING ERR				1									9-2/8		163
TRAE C TO D	H	A04V2		1-01 *							1				164
TRAE C TO D	H	B01V2		1-02 *											164
TRAE C TO D				1									5-6/8		164
TRAE DD B100	H	A01D1		1-01 *							1				165
TRAE DD B100	H	A09M1		1-02 *											165
TRAE DD B100				1									6-4/8		165
TRAE DD B101	H	A01A1		1-01 *							1				166
TRAE DD B101	H	A09L1		1-02 *											166
TRAE DD B101				1									7-0/8		166
TRAE DD B102	H	A01K1		1-01 *							1				167
TRAE DD B102	H	A09F1		1-02 *											167
TRAE DD B102				1									6-6/8		167
TRAE DD B103	H	A01P1		1-01 *							1				168
TRAE DD B103	H	B09F2		1-02 *											168
TRAE DD B103				1									7-6/8		168

RS04.E RUN NAME	A/P	HND288.V23(23) PIN NAME	05/24/74 ORDER PIN	BAY = ORDER	Q	DRAW	RV	PG	Y	X	Z	REMARKS	9-JAN-75 LENGTH	11129 EXCEPTIONS	PAGE 20 RUN NUMBER
TRAZ DD B104	H	A01M1		1-01 *							1				169
TRAZ DD B104	H	A01T2		1-02 *											169
TRAZ DD B104				1									7-0/8		169
TRAZ DD B105	H	A01L1		1-01 *							1				170
TRAZ DD B105	H	A01S2		1-02 *											170
TRAZ DD B105				1									6-6/8		170
TRAZ REG SEL 03	H	B01F1		1-01 *							1				171
TRAZ REG SEL 03	H	B04M1		1-02 *											171
TRAZ REG SEL 03				1									4-0/8		171
TRAZ REG SEL 04	H	B01U1		1-01 *							1				172
TRAZ REG SEL 04	H	B04L1		1-02 *											172
TRAZ REG SEL 04				1									4-2/8		172
TRAZ RUN	H	A08J2		1-01 *							1				173
TRAZ RUN	H	B01P1		1-02 *											173
TRAZ RUN				1									7-6/8		173
TRAZ W0 DC 800	H	A01S1		1-01 *							1				174
TRAZ W0 DC 800	H	A01U1		1-02 *							2				174
TRAZ W0 DC 800	H	B05S1		1-03 *							1				174
TRAZ W0 DC 800	H	B06F1		1-04 *							2				174
TRAZ W0 DC 800	H	A07H1		1-05 *											174
TRAZ W0 DC 800				1									17-2/8		174
TRAZ W0 DC 801	H	A01N1		1-01 *							2				175
TRAZ W0 DC 801	H	A01T2		1-02 *							1				175
TRAZ W0 DC 801	H	B05M1		1-03 *							2				175
TRAZ W0 DC 801	H	B06H1		1-04 *							1				175
TRAZ W0 DC 801	H	A07F1		1-05 *											175
TRAZ W0 DC 801				1									16-6/8		175
TRAZ W0 DC 802	H	A07E1		1-01 *							2				176
TRAZ W0 DC 802	H	B06J1		1-02 *							1				176
TRAZ W0 DC 802	H	B05L1		1-03 *							2				176
TRAZ W0 DC 802	H	B0181		1-04 *							1				176
TRAZ W0 DC 802	H	B01A1		1-05 *											176
TRAZ W0 DC 802				1									16-0/8		176
TRAZ W0 DC 803	H	A07D1		1-01 *							1				177
TRAZ W0 DC 803	H	A05P1		1-02 *							2				177
TRAZ W0 DC 803	H	A01V1		1-03 *							1				177
TRAZ W0 DC 803	H	A01V2		1-04 *							2				177
TRAZ W0 DC 803	H	B06K1		1-05 *											177
TRAZ W0 DC 803				1									16-2/8		177

RS04.E RUN NAME	A/P	HND288.V23(23) PIN NAME	05/24/74 ORDER PIN	BAY = ORDER	Q	DRAW	RV	PG	Y	X	Z	REMARKS	9-JAN-75 LENGTH	11129 EXCEPTIONS	PAGE 21 RUN NUMBER
TRAZ W0 DC 804	H	A07V2		1-01 *							1				178
TRAZ W0 DC 804	H	B06H1		1-02 *							2				178
TRAZ W0 DC 804	H	B01J2		1-03 *							1				178
TRAZ W0 DC 804	H	B01E1		1-04 *											178
TRAZ W0 DC 804				1									11-4/8		178
TRAZ W0 DC 805	H	A07P2		1-01 *							1				179
TRAZ W0 DC 805	H	B06A1		1-02 *							2				179
TRAZ W0 DC 805	H	B01D1		1-03 *							1				179
TRAZ W0 DC 805	H	B01C1		1-04 *											179
TRAZ W0 DC 805				1									11-4/8		179
TRAZ WRT CLK	H	A08V1		1-01 *							1				180
TRAZ WRT CLK	H	B01R1		1-02 *											180
TRAZ WRT CLK				1									6-6/8		180
TRB2 DD B106	H	A02D1		1-01 *							1				181
TRB2 DD B106	H	A09R1		1-02 *											181
TRB2 DD B106				1									6-4/8		181
TRB2 DD B107	H	A02A1		1-01 *							1				182
TRB2 DD B107	H	A07R2		1-02 *											182
TRB2 DD B107				1									7-0/8		182
TRB2 DD B108	H	A02K1		1-01 *							1				183
TRB2 DD B108	H	B09D1		1-02 *											183
TRB2 DD B108				1									7-0/8		183
TRB2 DD B109	H	A02F1		1-01 *							1				184
TRB2 DD B109	H	B09C1		1-02 *											184
TRB2 DD B109				1									6-6/8		184
TRB2 DD B110	H	A02M1		1-01 *							1				185
TRB2 DD B110	H	A09U2		1-02 *											185
TRB2 DD B110				1									6-4/8		185
TRB2 DD B111	H	A02L1		1-01 *							1				186
TRB2 DD B111	H	B09B1		1-02 *											186
TRB2 DD B111				1									6-4/8		186
TRB2 EXCEPTION (EXT)	H	B02L1		1-01 *							1				187
TRB2 EXCEPTION (EXT)	H	B08L1		1-02 *											187
TRB2 EXCEPTION (EXT)				1									5-2/8		187
TRB2 INITILIZE	H	A04B1		1-01 *							1				188
TRB2 INITILIZE	H	B02R1		1-02 *											188
TRB2 INITILIZE				1									7-0/8		188



RSDM.E RUN NAME	A/P	HND288.V23(23) PIN NAME	05/24/74 ORDER PIN	BAY = ORDER	Q	DRAW	RV	PG	Y	X	Z	REMARKS	9-JAN-75 LENGTH	1129 EXCEPTIONS	PAGE 22 RUN NUMBER
TRB2 REG SEL 00	H	A04M1		1-01 *							1				189
TRB2 REG SEL 00	H	B02F1		1-02 *											189
TRB2 REG SEL 00				1									4-6/8		189
TRB2 REG SEL 01	H	A04N1		1-01 *							1				190
TRB2 REG SEL 01	H	B02U1		1-02 *											190
TRB2 REG SEL 01				1									6-2/8		190
TRB2 REG SEL 02	H	A04P1		1-01 *							1				191
TRB2 REG SEL 02	H	B02V2		1-02 *											191
TRB2 REG SEL 02				1									6-0/8		191
TRB2 W0 DC 806	H	A02U1		1-01 *							1				192
TRB2 W0 DC 806	H	A02S1		1-02 *							2				192
TRB2 W0 DC 806	H	A07S1		1-03 *							1				192
TRB2 W0 DC 806	H	B06D1		1-04 *											192
TRB2 W0 DC 806				1									11-2/8		192
TRB2 W0 DC 807	H	A02N1		1-01 *							2				193
TRB2 W0 DC 807	H	A02T2		1-02 *							1				193
TRB2 W0 DC 807	H	B06C1		1-03 *							2				193
TRB2 W0 DC 807	H	A07R1		1-04 *											193
TRB2 W0 DC 807				1									11-4/8		193
TRB2 W0 DC 808	H	B02A1		1-01 *							1				194
TRB2 W0 DC 808	H	B02B1		1-02 *							2				194
TRB2 W0 DC 808	H	B07F1		1-03 *											194
TRB2 W0 DC 808				1									7-4/8		194
TRB2 W0 DC 809	H	A02V1		1-01 *							1				195
TRB2 W0 DC 809	H	A02V2		1-02 *							2				195
TRB2 W0 DC 809	H	A03N1		1-03 *							1				195
TRB2 W0 DC 809	H	B07E1		1-04 *											195
TRB2 W0 DC 809				1									11-0/8		195
TRB2 W0 DC 810	H	A05L2		1-01 *							1				196
TRB2 W0 DC 810	H	B07D1		1-02 *							2				196
TRB2 W0 DC 810	H	B02J2		1-03 *							1				196
TRB2 W0 DC 810	H	B02E1		1-04 *											196
TRB2 W0 DC 810				1									13-0/8		196
TRB2 W0 DC 811	H	B02C1		1-01 *							1				197
TRB2 W0 DC 811	H	B02D1		1-02 *							2				197
TRB2 W0 DC 811	H	B07C1		1-03 *							1				197
TRB2 W0 DC 811	H	B05V2		1-04 *											197
TRB2 W0 DC 811				1									11-6/8		197

RSDM.E RUN NAME	A/P	HND288.V23(23) PIN NAME	05/24/74 ORDER PIN	BAY = ORDER	Q	DRAW	RV	PG	Y	X	Z	REMARKS	9-JAN-75 LENGTH	1129 EXCEPTIONS	PAGE 23 RUN NUMBER
TRC2 DC PAI	H	B03C1		1-01 *							1				198
TRC2 DC PAI	H	B07J2		1-02 *											198
TRC2 DC PAI				1									5-0/8		198
TRC2 DD 8112	H	A03D1		1-01 *							1				199
TRC2 DD 8112	H	B09N1		1-02 *											199
TRC2 DD 8112				1									7-2/8		199
TRC2 DD 8113	H	A03A1		1-01 *							1				200
TRC2 DD 8113	H	B09M1		1-02 *											200
TRC2 DD 8113				1									7-4/8		200
TRC2 DD 8114	H	A03K1		1-01 *							1				201
TRC2 DD 8114	H	B09L1		1-02 *											201
TRC2 DD 8114				1									6-2/8		201
TRC2 DD 8115	H	A03F1		1-01 *							1				202
TRC2 DD 8115	H	B09L1		1-02 *											202
TRC2 DD 8115				1									6-6/8		202
TRC2 DD 8116	H	A03M1		1-01 *							1				203
TRC2 DD 8116	H	B09V2		1-02 *											203
TRC2 DD 8116				1									7-4/8		203
TRC2 DD 8117	H	A03L1		1-01 *							1				204
TRC2 DD 8117	H	B09U2		1-02 *											204
TRC2 DD 8117				1									7-2/8		204
TRC2 DD PAI	H	A03S1		1-01 *							1				205
TRC2 DD PAI	H	B09P1		1-02 *											205
TRC2 DD PAI				1									6-4/8		205
TRC2 DEMAND	H	B03R1		1-01 *							1				206
TRC2 DEMAND	H	B04F1		1-02 *											206
TRC2 DEMAND				1									3-4/8		206
TRC2 DRIVE SEL 00	H	B03F1		1-01 *							1				207
TRC2 DRIVE SEL 00	H	B04S2		1-02 *											207
TRC2 DRIVE SEL 00				1									3-6/8		207
TRC2 DRIVE SEL 01	H	B03U1		1-01 *							1				208
TRC2 DRIVE SEL 01	H	B04P2		1-02 *											208
TRC2 DRIVE SEL 01				1									3-2/8		208
TRC2 DRIVE SEL 02	H	B03V2		1-01 *							1				209
TRC2 DRIVE SEL 02	H	B04L2		1-02 *											209
TRC2 DRIVE SEL 02				1									3-4/8		209

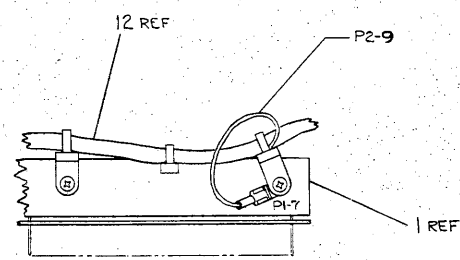
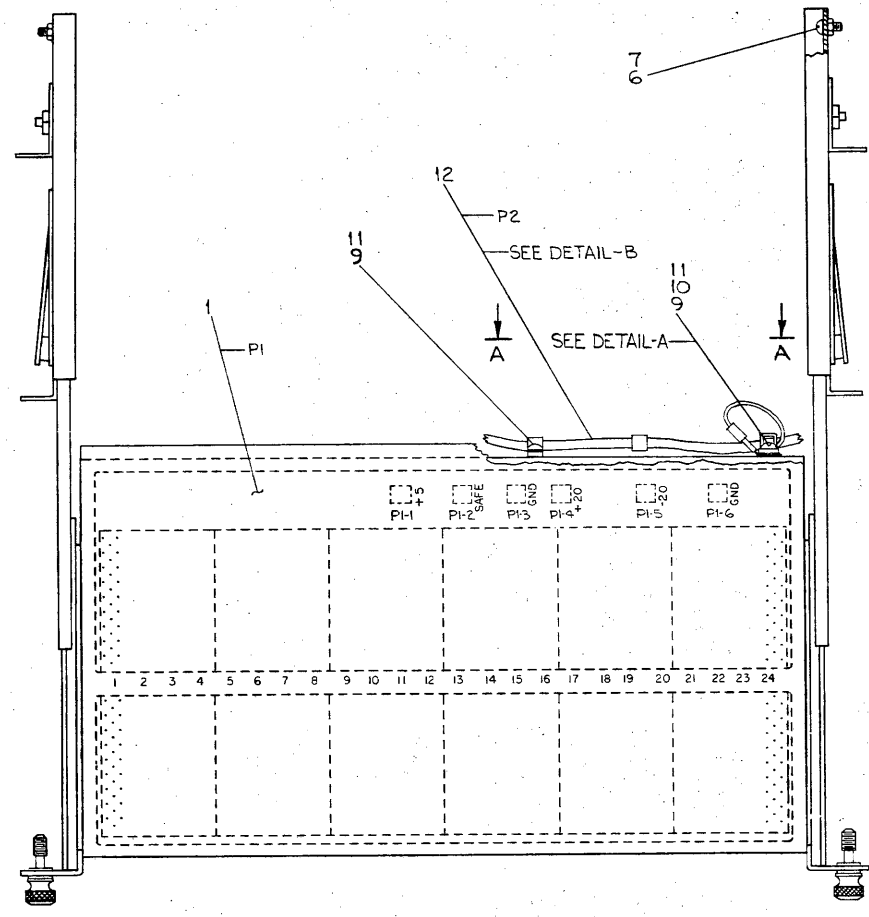
RS04.E  
RUN NAME

HND28A.V23(23) 05/24/74				Q	DRAW	RV	PG	Y	X	Z	REMARKS	4-JAN-75	1129	PAGE 24
A/P	PIN	ORDER	BAY									LENGTH	EXCEPTIONS	RUN
	NAME	PIN	ORDER											NUMBER
TRC2	MASS FAIL			1-01	*					1				210
TRC2	MASS FAIL			1-02	*									210
TRC2	MASS FAIL			1								6-07/8		210
TRC2	HO DC 812			1-01	*					1				211
TRC2	HO DC 812			1-02	*					2				211
TRC2	HO DC 812			1-03	*					1				211
TRC2	HO DC 812			1-04	*									211
TRC2	HO DC 812			1								11-47/8		211
TRC2	HO DC 813			1-01	*					2				212
TRC2	HO DC 813			1-02	*					2				212
TRC2	HO DC 813			1-03	*									212
TRC2	HO DC 813			1-04	*									212
TRC2	HO DC 813			1								12-07/8		212
TRC2	HO DC 814			1-01	*					4				213
TRC2	HO DC 814			1-02	*					2				213
TRC2	HO DC 814			1-03	*					4				213
TRC2	HO DC 814			1-04	*									213
TRC2	HO DC 814			1								11-27/8		213
TRC2	HO DC 815			1-01	*					2				214
TRC2	HO DC 815			1-02	*					2				214
TRC2	HO DC 815			1-03	*					1				214
TRC2	HO DC 815			1-04	*									214
TRC2	HO DC 815			1								10-27/8		214

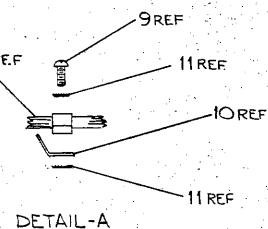
THIS DRAWING AND SPECIFICATIONS, HERE AND THE PROPERTY OF DIGITAL EQUIPMENT CORPORATION AND SHALL NOT BE REPRODUCED OR COPIED IN WHOLE OR IN PART AS THE BASIS FOR THE MANUFACTURE OR SALE OF THIS WITHOUT WRITTEN PERMISSION. DIGITAL EQUIPMENT CORPORATION © 1973

CONNECTION CHART					
COLOR	ITEM	CONN	TO	CONN	REMARKS
RED	12	P2-1	1	PI-1	
RED		P2-2		PI-1	
GRY		P2-3		PI-2	
BLK		P2-4		PI-3	
BLK		P2-5		PI-3	
ORN		P2-6		PI-4	
BLU		P2-7		PI-5	
BLK		P2-8		PI-6	
BLK	12	P2-9	1	PI-7	

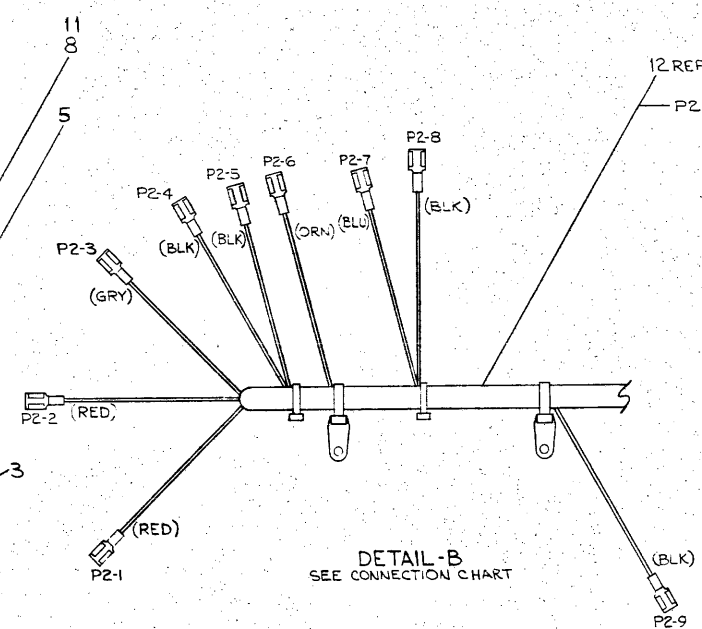
NOTES:  
 1. ITEM #13 (DRIVE TRANSCEIVER) TO BE REPLACED BY M5903-YA (MASS BUS TERMINATOR) WHEN DRIVE IS THE END DRIVE ON A MASSBUS CABLE SYSTEM.



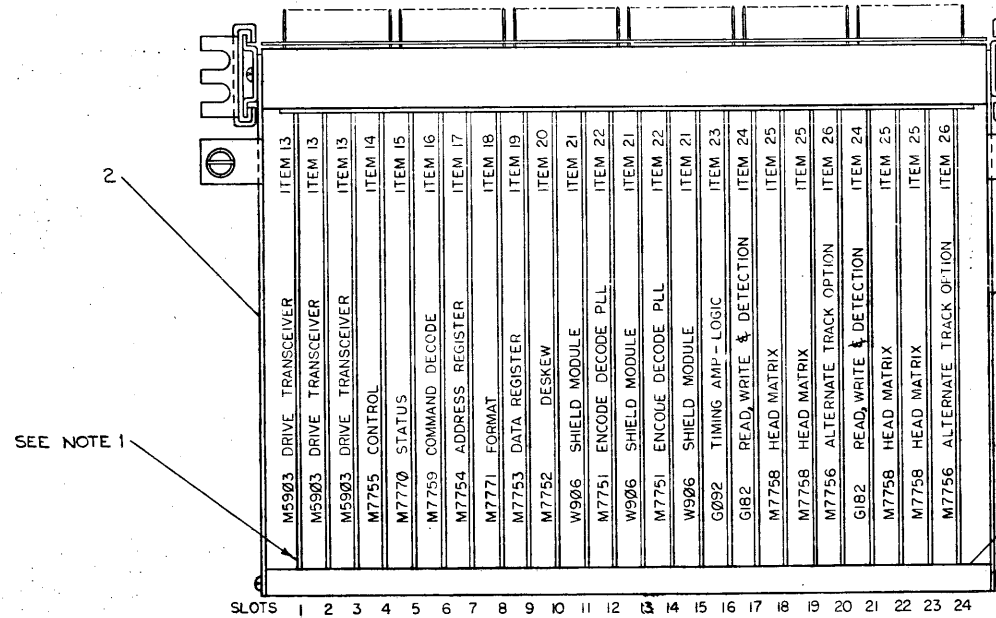
VIEW A-A



DETAIL-A



DETAIL-B  
SEE CONNECTION CHART



SEE NOTE 1

QTY.	DESCRIPTION	PART NO.	ITEM NO.
2	SCR, PPH SELF TAP 6-32 x 3/8	90C9525-1	27
2	ALT TRACK OPTION CABLE ASSY	D-3A-7009236-0-0	26
4	HEAD MATRIX CABLE ASSY	D-3A-7009236-0-0	25
2	READ, WRITE & DETECTION	G182	24
1	TIMING AMP CABLE ASSY	D-3A-7009257-0-0	23
2	ENCODE DECODE PLL	M7751	22
3	SHIELD MODULE	W906	21
1	DESKEW	M7752	20
1	DATA REGISTER	M7753	19
1	FORMAT	M7771	18
1	ADDRESS REGISTER	M7754	17
1	COMMAND DECODE	M7759	16
1	STATUS	M7770	15
1	CONTROL	M7755	14
3	DRIVE TRANSCEIVER	M5903	13
1	LOGIC HARNESS	D-3A-7009236-0-0	12
8	LOCK WASHER 1/2 EXT TOOTH	9007649	11
1	GROUND LUG	9007253	10
2	SCR, PHL PAN HD #6-32 x 3/8	9006022-1	9
4	SCR, PHL PAN HD #6-32 x 5/16 LG	9006021-1	8
2	KEP NUT #10	9006565	7
2	SCR, PHL PAN HD #10-32 x 3/8	9006071-1	6
1	LOGIC SLIDE (PAIR)	D-PS1212-0-0	5
1	BAR CARD RETAINER	CMDP425811-0-0	4
1	PLATE, LOGIC SIDE R.H.	1A740983-2	3
1	PLATE, LOGIC SIDE L.H.	1A740983-1	2
1	WIRED ASSY	DAD-7009236-0	1

FIRST USED ON OPTION MODEL: RS04		QTY.	DESCRIPTION	PART NO.	ITEM NO.
PARTS LIST					
UNLESS OTHERWISE SPECIFIED DIMENSION IN INCHES					
TOLERANCES					
DECIMALS	ANGLES	HOLE POSITION			
±.008	±.01	±.015			
±.01	±.02	±.03			
±.02	±.04	±.05			
±.04	±.06	±.08			
±.06	±.08	±.10			
MATERIAL					
NEXT HIGHER ASSY.					
D-U-RS04-0-0					
EAD7009236-0-0					
SCALE 1/1					
SHEET 1 OF 1					

DATE: 8/1/73  
 DRAWN BY: [Signature]  
 CHECKED BY: [Signature]  
 DESIGNED BY: [Signature]  
 APPROVED BY: [Signature]

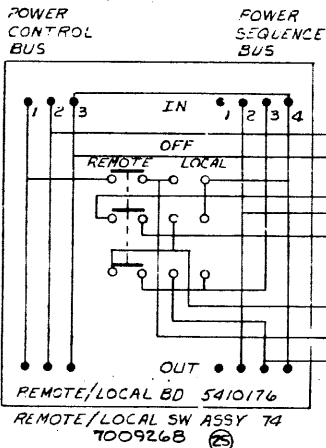
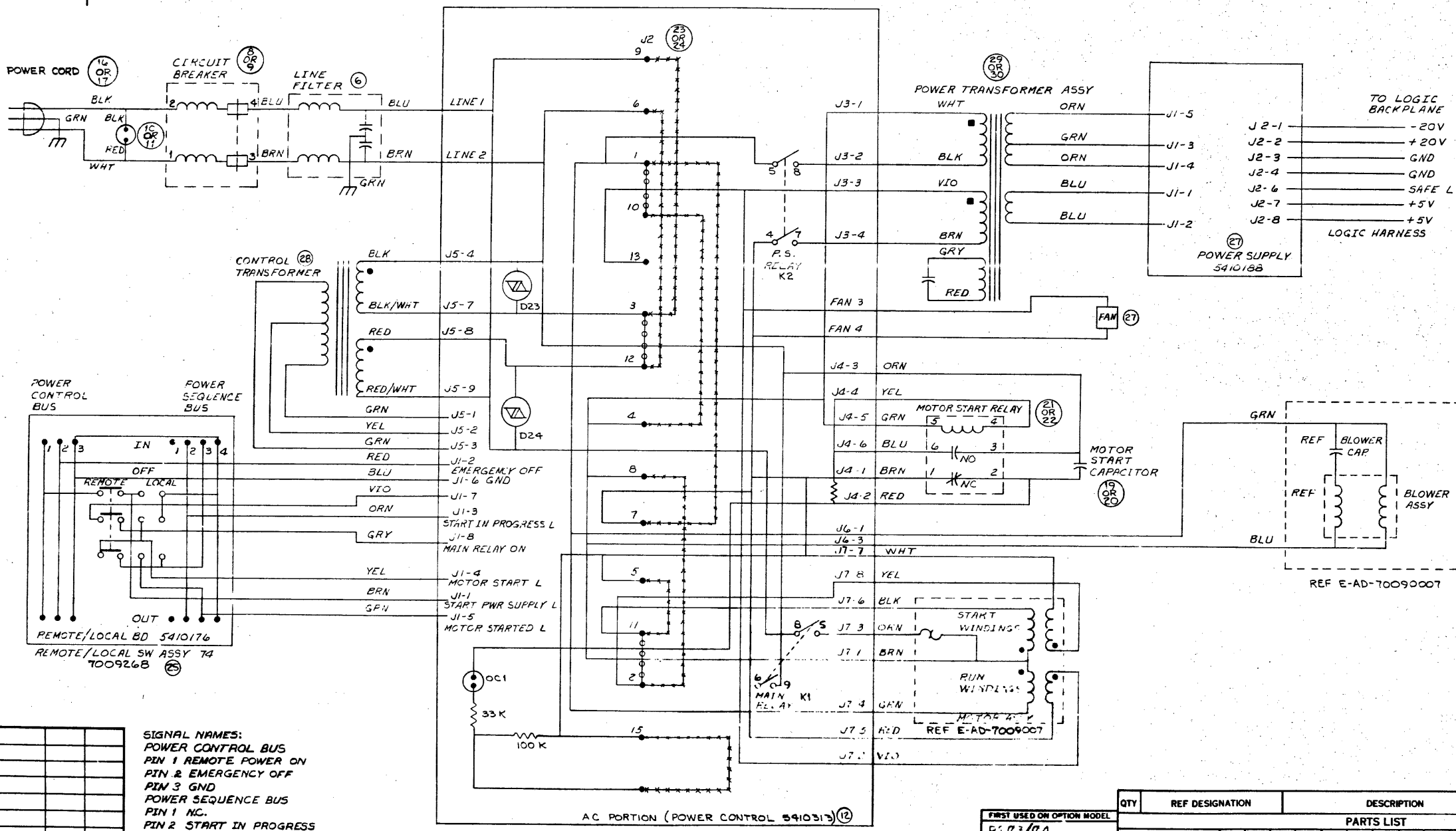
digital EQUIPMENT CORPORATION  
 LOGIC ASSY

This drawing and specifications, herein, are the property of Digital Equipment Corporation and shall not be reproduced or used in whole or in part as the basis for the manufacture or sale of items without written permission.

COPYRIGHT © 1973  
DIGITAL EQUIPMENT CORP

**NOTES:**

1. TESTER FOR THIS ASSY JS AS04-TD
2. ~~WHT~~ P2-115V OPERATION  
0000 P2-230V OPERATION
3. NUMBERS IN CIRCLES ARE REFERENCES TO PARTS LIST ITEM NUMBERS



**SIGNAL NAMES:**  
**POWER CONTROL BUS**  
 PIN 1 REMOTE POWER ON  
 PIN 2 EMERGENCY OFF  
 PIN 3 GND  
**POWER SEQUENCE BUS**  
 PIN 1 NC.  
 PIN 2 START IN PROGRESS  
 PIN 3 BUS GRANT  
 PIN 4 GND

IC TYPE	GND	+5V
GND AND 5V ARE USUALLY PIN 7 AND 14 RESPECTIVELY. EXCEPTIONS ARE STATED ABOVE		
IC PIN LOCATIONS		

FIRST USED ON OPTION MODEL		QTY	REF DESIGNATION	DESCRIPTION	PART NO.	ITEM NO.
P2/04						
PARTS LIST						
ETCH BOARD REV						
DRN	J. Sullivan	DATE	4-18-73	DIGITAL EQUIPMENT CORPORATION MAYNARD MASSACHUSETTS		
CHKD	C. C. Long	DATE	7/11/77	TITLE		
ENGR	J. Field	DATE	7/17/73	POWER SUPPLY CONTROL SCHEMATIC		
PROJ ENG		DATE	7/11/73	NEXT HIGHER ASSY		
PROB		DATE	7/11/73	E-AD-7009006-0-0		
SEMICONDUCTOR CONVERSION CHART						
DEC NO.	EIA NO.	DEC NO.	EIA NO.	SCALE	SHEET	OF
				SIZE CODE	NUMBER	REV.
				DIC	7009006-0-1	

REV. 1-0-900600-0-1

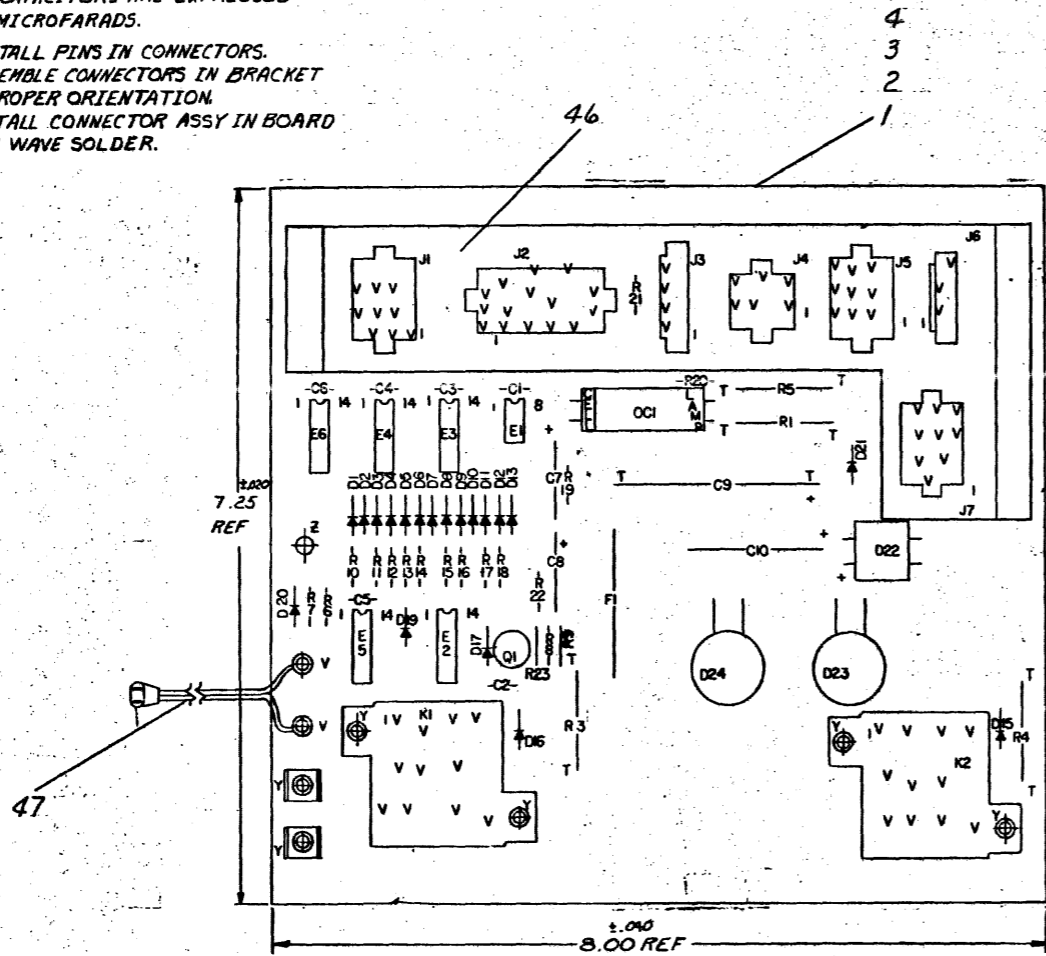


**NOTES:**

1. UNLESS OTHERWISE SPECIFIED:
  - ALL RESISTORS ARE 1/4 W ± 5%.
  - ALL DIODES ARE IN4004.
  - ALL CAPACITORS ARE EXPRESSED IN MICROFARADS.
2. A. INSTALL PINS IN CONNECTORS.  
 B. ASSEMBLE CONNECTORS IN BRACKET IN PROPER ORIENTATION.  
 C. INSTALL CONNECTOR ASSY IN BOARD FOR WAVE SOLDER.
3. CUT CORD (ITEM #47) TO 6 INCHES AND INSTALL AFTER WAVE SOLDER.
4. ■ INDICATES FASTON TABS.

This drawing and specifications, herein, are the property of Digital Equipment Corporation and shall not be reproduced in any form or by any means, electronic or mechanical, including photocopying, recording, or by any information storage and retrieval system, without the prior written permission of Digital Equipment Corporation.

COPYRIGHT © 1973 DIGITAL EQUIPMENT CORPORATION



REF	DESCRIPTION	PART NO.	ITEM NO.
REF	X-Y COORDINATE HOLE LOCATION	K-CO-5410313-0-4	1
REF	ASSY/DRILLING HOLE LAYOUT	D-AH-5410313-0-5	2
REF	MODULE ECO HISTORY	B-MH-5410313-0-6	3
1	ETCHED CIRCUIT BOARD	5010312	4
1	C9	CAP 1000UF, 15V, ±10% AL EL	1000090
1	C1 THRU C6	CAP 0.1UF, 50V, ±20% AX CER	1001610
1	C10	CAP 100UF, 25V, ±75-10% AL EL	1002781
2	C7, C8	CAP 6.8UF, 35V, ±10% S TANT	1005306
1	D17	DIODE, ZENER, INT50A (4.7V)	1100124
15	D1 THRU D13, D15, D16	DIODE IN4004	1105796
1	D21	DIODE, ZENER IN4733A (5.1V)	1109949
1	R8	RES 100, 1/4W, 5%	1300229
2	D19, D20	DIODE, ZENER IN970B (24V)	1110856
1	D22	BRIDGE RECTIFIER MDA942-1FW	1103016
2	D23, D24	VARIATOR, METAL OXIDE 10V	1110997
1	OC1	ISOLATOR C'LL CLM 3120 A	1205264
1	J6	CONN MATE-N-LOCK 3 SOCKET	1209350-03
1	J3	CONN MATE-N-LOCK 4 SOCKET	1209350-04
1	J4	CONN MATE-N-LOCK 6 SOCKET	1209350-06
3	J1, J5, J7	CONN MATE-N-LOCK 9 SOCKET	1209350-09
1	J2	CONN MATE-N-LOCK 13 SOCKET	1209350-15
55	PIN SOCKET (MATE-N-LOCK)	1209456	23
2	K1, K2	RELAY, 3POLE, 12V (10A)	1210683
2		RELAY SOCKET-PC CONN	1210684
1	R6	RES 330, 1/4W, ±5%	1300295
4	R11, R14, R16, R18	RES 1.2K 1/4W ±5%	1301320
1	R22	RES 15K 1/4W ±5%	1300496
1	R7	RES 750, 1/4W ±5%	1301401
2	R9, R19	RES 4.7K 1/4W ±5%	1300447
1	R12	RES 5.6K 1/4W ±5%	1301874
1	R21	RES 100K 1/4W ±5%	1302466
5	R3 THRU R5	RES 75, 2W ±5%	1303039
4	R10, R13, R15, R17	RES 8.2K 1/4W ±5%	1303179
2	R20, R23	RES 33K 1/4W ±10%	1300510
1	R1	RES 27, 2W ±10%	1305624
1	Q1	TRANSISTOR DEC 2219-3	1501881
1	E4	I.C. DEC 7400	1905575
1	E2	I.C. DEC 7402	1909004
2	E3, E6	I.C. DEC 380A	1909485
1	E1	I.C. DEC 75453	1911036
1	E5	I.C. DEC 75450	1911242
4		EYELET GS-4-9 (RELAY SOCKET)	9006746
4		CONN 1 DUAL UPRIGHT	9007113-0
2		EYELET GS-4-5 (FASTON LUG)	9009000
1	F1	FUSE 2A (PIGTAIL)	9009505-00
1		CONN. MTG. BRACKET	D-MD5510204-0046
1		PLUG CORD ASSY 6' ROTRON 14415	1210283

IC TYPE	GND	+5V
380A	1	8
75453	4	8

GND AND 5V ARE USUALLY PIN 7 AND 14 RESPECTIVELY. EXCEPTIONS ARE STATED ABOVE.

IC PIN LOCATIONS

FIRST USED ON OPTION MODEL: RS03/04

ETCH BOARD REV: E

DATE: 5-20-73  
 DATE: 4/6/72

DRN: U. Diemattle  
 CLK: J. Xeady  
 E: J. Field  
 D: J. Field  
 N: J. Field

REVISIONS

DEC NO. EIA NO. DEC NO. EIA NO.

SCALE: 1/4"

SHEET 1 OF 2

SEMICONDUCTOR CONVERSION CHART

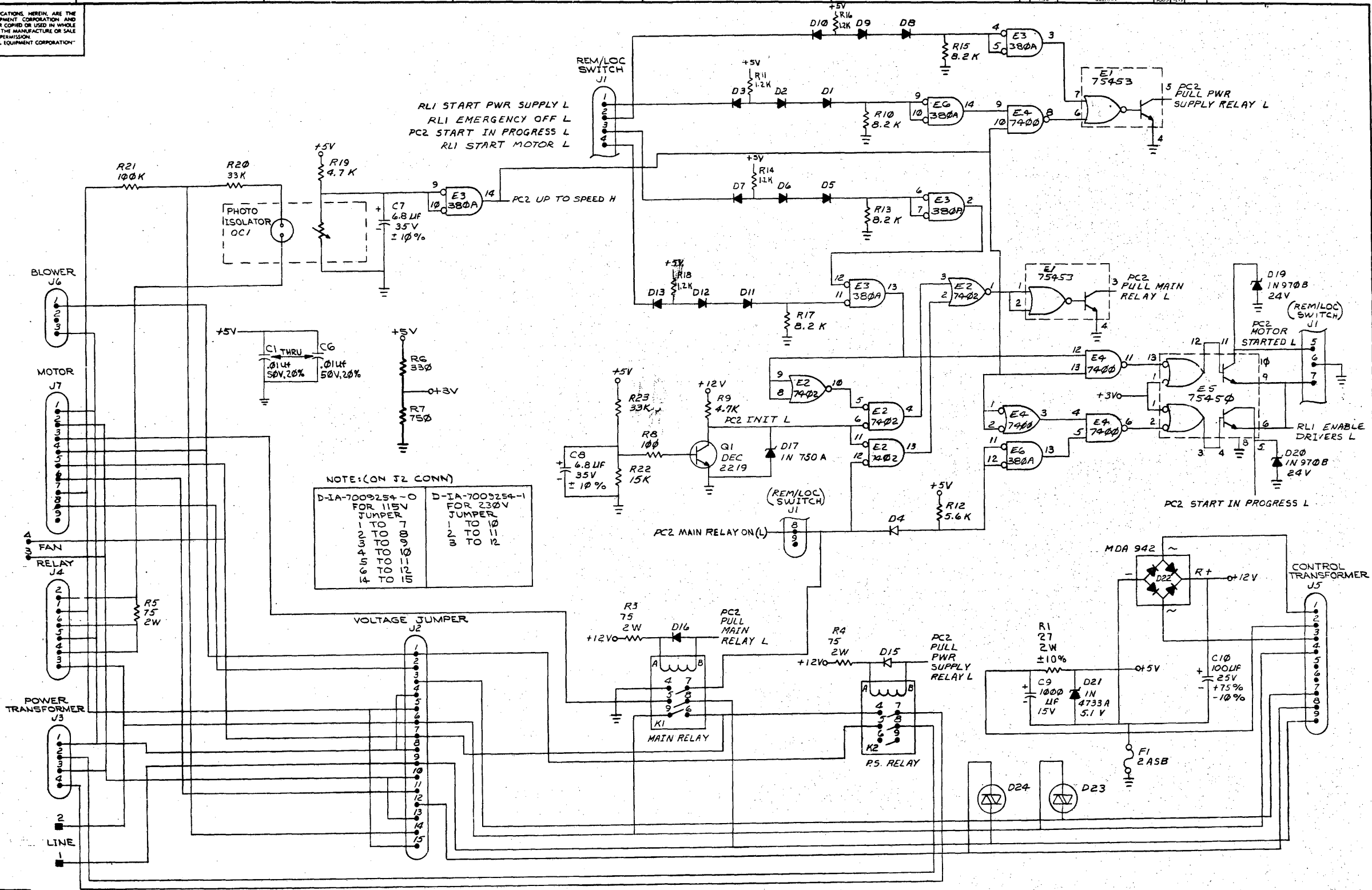
DATE: 5-20-73  
 DATE: 4/6/72

TITLE: POWER CONTROL (PCI)

SIZE CODE: DCS5410313-0-1  
 NUMBER: 1  
 REV: E

PART NO. DCS5410313-0-1

THIS DRAWING AND SPECIFICATIONS HEREIN ARE THE PROPERTY OF DIGITAL EQUIPMENT CORPORATION AND SHALL NOT BE REPRODUCED OR COPIED OR USED IN WHOLE OR IN PART AS THE BASIS FOR THE MANUFACTURE OR SALE OF ITEMS WITHOUT WRITTEN PERMISSION. COPYRIGHT © 1973, DIGITAL EQUIPMENT CORPORATION



NOTE: (ON J2 CONN)

D-1A-7009254-0 FOR 115V JUMPER	D-1A-7009254-1 FOR 230V JUMPER
1 TO 7	1 TO 10
2 TO 7	2 TO 11
3 TO 8	3 TO 12
4 TO 10	
5 TO 11	
6 TO 12	

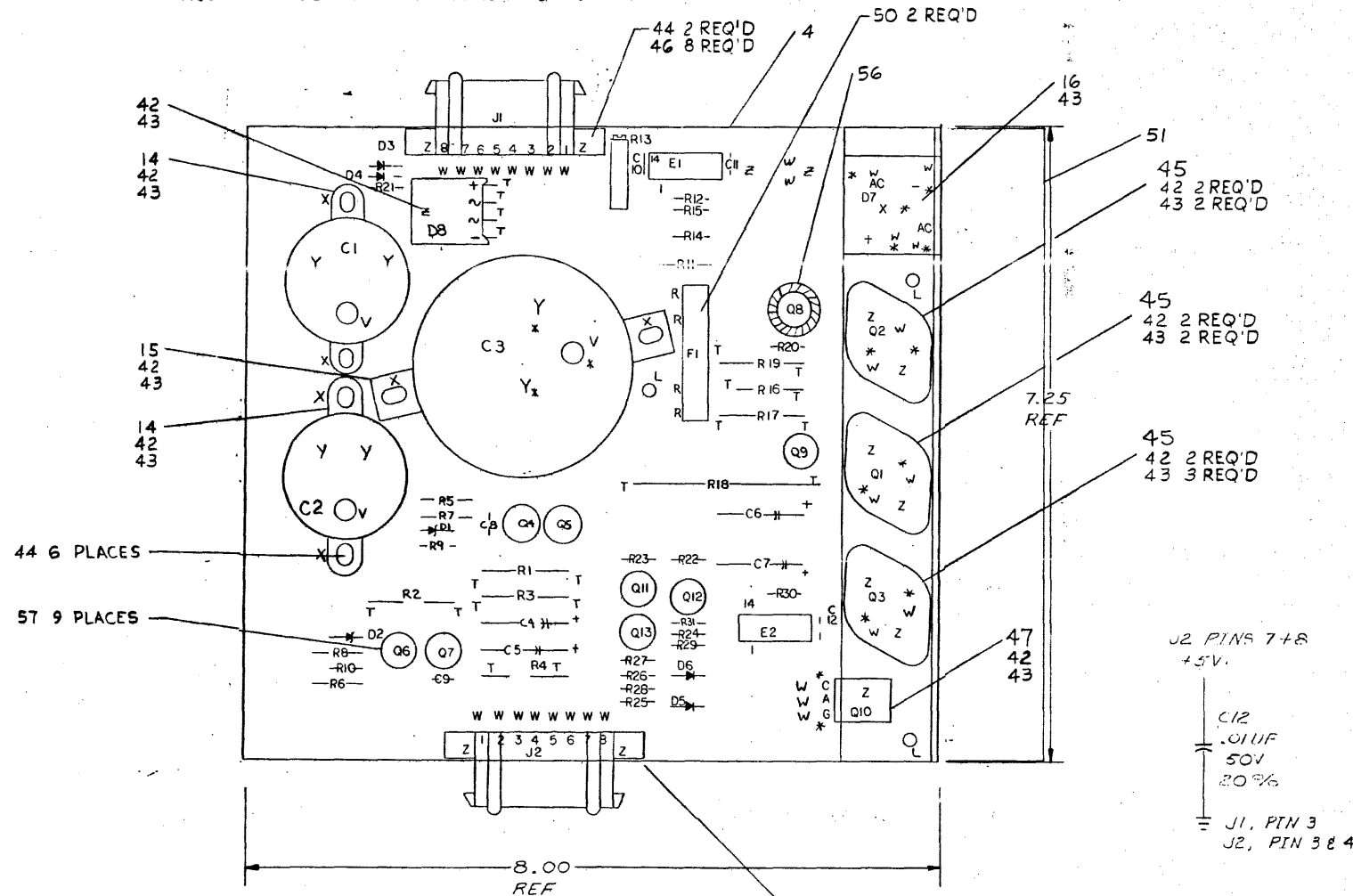
CHK	CHANGE NO.	REV.

The drawing and specifications herein are the property of Digital Equipment Corporation and shall not be reproduced or copied in whole or in part in any form for the manufacture or sale of items without written permission.

COPYRIGHT © 1973 DIGITAL EQUIPMENT CORPORATION.

**NOTES:**

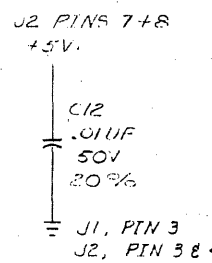
- UNLESS OTHERWISE SPECIFIED RESISTORS ARE  $\pm 5\%$  1/4W.
- D7, Q1, Q2, Q3, Q10 ARE MOUNTED ON HEAT SINK.
- THIS REGULATOR PROVIDES +5V (9.0 AMPS), +20V (1 AMP), -20V (1.5 AMPS) AND HAS OVERVOLTAGE PROTECTION ON +5V, SHORT CIRCUIT PROTECTION ON ALL THREE OUTPUT DC.
- "L" HOLES ON HEAT SINK AND BOARD TO BE ALIGNED THEN HARDWARE TO BE TIGHTENED BEFORE SOLDERING.
- THERMAL COMPOUND (ITEM 58) TO BE APPLIED TO BOTH SIDES OF PLASTIC FILM (ITEM 58 + 47) AND HEAVILY ON D7 CONTACT FACE BEFORE ASSEMBLY.



44 6 PLACES

57 9 PLACES

44 2 REQ'D  
46 8 REQ'D



A/R	THERMAL COMPOUND	QTY	ITEM NO.	
9	TRANSIPAD	9007200	37	
1	HEAT SINK	1210001	53	
1	RES. 3.9K 1/4W 5%	1300244	55	
1	TRANSISTOR 2N5302	1510196	54	
1	DIODE 1N748A 3.9V 5%	1100122	53	
1	RES 2.7 1W 5%	1310382	52	
1	HEAT SINK	1211214	57	
2	CLIP FUSE	9009513-1	51	
2	RES 2.7K 1/4W 5%	1300426	19	
7	RES 390 2W 5%	1310868	15	
1	PLASTIC FILM (INSULATOR)	9009597	47	
10	PINS, CONN MATE-N-LOCK	1200456	46	
3	PLASTIC FILM (INSULATOR)	9008419	45	
10	EYELET M1090	9006733	44	
12	4-40 KEPNUT 4-40X1/2X1/16	9006557	43	
11	SCREW, PH 4-40 X 9/16	9008033-1	42	
1	FUSE 10AMP SLOW BLOW	9007225	41	
1	DEC 723 VOLT REG.	1910415	40	
1	IC DEC 7402	1309004	39	
1	TRANSISTOR 2N344	1509447	38	
1	TRANSISTOR MJ900, FNP 90W	1310712	37	
1	TRANSISTOR 2N4111	1503867	36	
1	TRANSISTOR DEC 315, NPN, 170W	1303028	35	
4	Q4, Q5, Q11, Q12	TRANSISTOR DEC 2219-3	1501881	34
4	Q6, Q7, Q9, Q13	TRANSISTOR DEC 2904	1501743	33
1	RES. 270R 1/2W 5%	1300285	32	
1	RES 1.0 2W 5%	1305428	31	
1	RES. 2K POT 76PR 3/4W 10%	1309143-B	30	
1	RES. 1 10 W 1% WW	1309108	29	
1	RES 36 2W 5%	1309994	28	
1	RES. 147 2W 5%	1305258	27	
2	RES 750 1/8W 1%	1302955	26	
1	RES 36 1/4W 5%	1302602	25	
2	RES 330 2W 10%	1301961	24	
2	RES 1.62K 1/8W 1%	1304862	23	
1	RES 180 1/4W 5%	1301322	22	
1	RES 7.5K 1/4W 5%	1301432	21	
1	RES 10K 1/4W 5%	1300479	20	
1	RES 4.7K 1/4W 5%	1300317	19	
1	RES 3.9K 1/4W 5%	1300439	18	
8	RES 1.5K 1/4W 5%	1300391	17	
1	SCREW, PH #4-40 X 7/8	9006016-1	16	
1	BRACKET FOR CAP C3 2-9/16IN	1210429	15	
2	BRACKET FOR CAP C1, C2, F1/16IN	1210428	14	
2	J1, J2	CONN. MATE-N-LOCK 8 SKT	1209340	13
2	D1, D2	DIODE 1N964 B 13V 5%	1109988	12
3	D3, D4, D6	DIODE 1N4004 .400V	1105796	11
1	D5	RECTIFIER BRIDGE MD-A910-3	1110208	10
1	D7	RECTIFIER BRIDGE NS5 3514	1110714	9
1	C3	CAP 36000MF 15V +75%-10%	1010995	8
2	C1, C2	CAP 3800MF 40V +75%-10%	1010560	7
4	C4 THRU C7	CAP 22MF 35V 20% STANT	1007433	6
5	C8 THRU C12	CAP .01MF 50V 20% AXIAL CER	1507619	5
1	E1	ETCHED CIRCUIT BOARD	5310187	4
REF	E2	ECO MODULE HISTORY	B-MH 5410188-3	3
REF		ASSY/DRILLING HOLE LAYOUT	D-MH 5410188-2	2
REF		XYCOORDINATE HOLE LOCATION	K-CO 5410188-1	1

7402	E2	7	-
IC TYPE		GND	+5V
GND AND 5V ARE USUALLY PIN 7 AND 14 RESPECTIVELY EXCEPTIONS ARE STATED ABOVE			
IC PIN LOCATIONS			

5410188-00005	K	6/24/74	P. McLEAN
5410188-00004	J	8-15-74	McLean, Herbert
5410188-00003	I	7-12-74	McLean, Herbert
5410188-00002	F	6-24-74	McLean, Herbert
5410188-00001	E	11/20/73	Chao, Chi
5410188-00000	D	11/20/73	Chao, Chi
5410188-00000	C	11/20/73	Chao, Chi
5410188-00000	B	11/20/73	Chao, Chi
5410188-00000	A	11/20/73	Chao, Chi

FIRST USED ON OPTION MODEL

ETCH BOARD REV H

REVISIONS

DEC NO. EIA NO. DEC NO. EIA NO.

SEMICONDUCTOR CONVERSION CHART

SCALE 1 OF 2 SHEET

DATE 2-3-72

DATE 3-6-73

DATE 3-6-73

DATE 3-6-73

DATE 1/9/73

DRN B. Swartz

CHKD. S. S. Chao

ENG. S. S. Chao

PROJ. ENG. S. S. Chao

PROD. S. S. Chao

NEXT HIGHER ASSY

digital EQUIPMENT CORPORATION

WATYARD, MASSACHUSETTS

TITLE POWER SUPPLY REGULATOR

SIZE CODE NUMBER REV. DIST.

DCS 5410188-0-1 K

DEC FORM NO. DED-135A

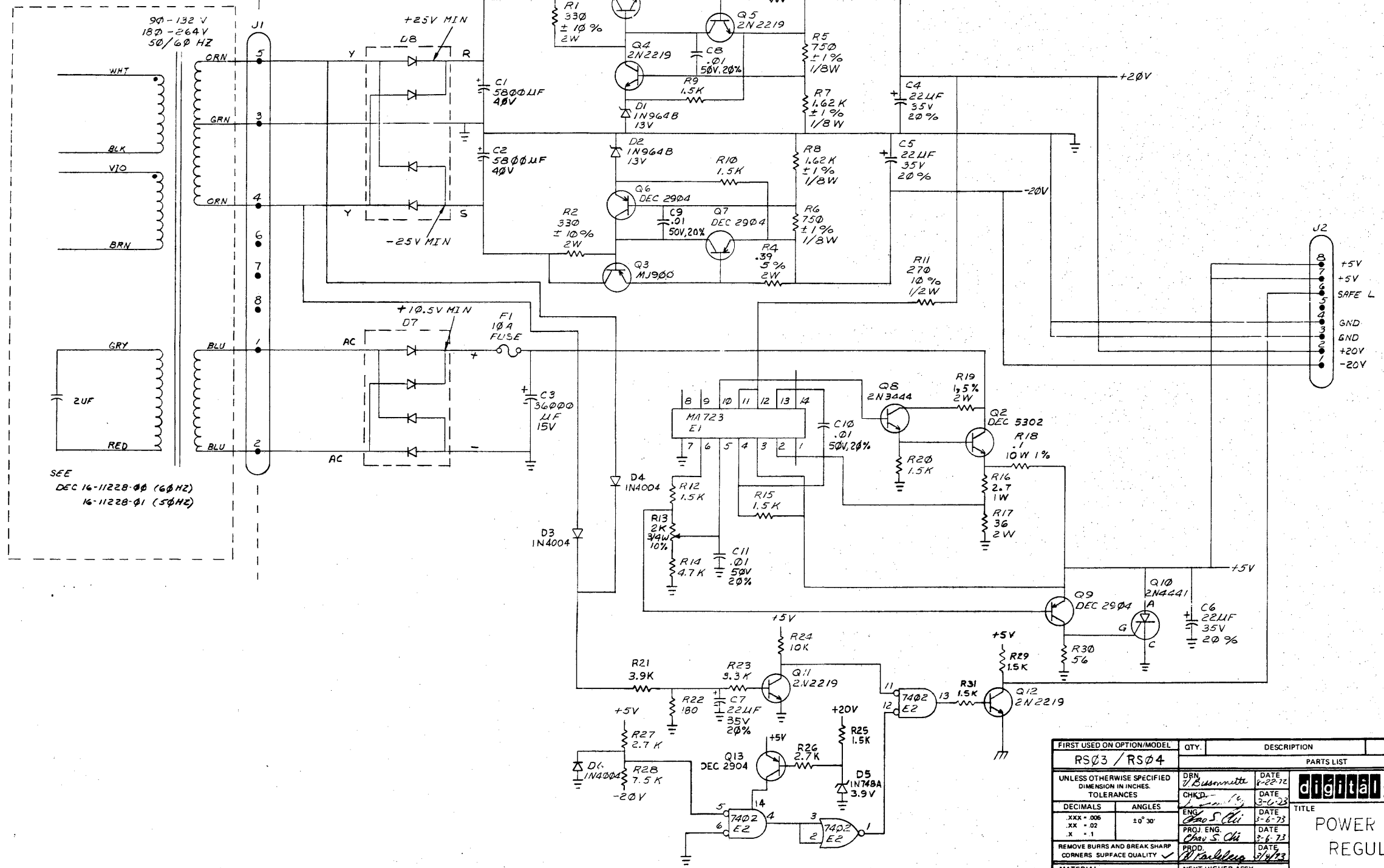


This drawing and specifications herein are the property of Digital Equipment Corporation and shall not be reproduced or copied or used in whole or in part as the basis for the manufacture or sale of items without written permission.

COPYRIGHT © 1973 DIGITAL EQUIPMENT CORPORATION

POWER CONTROL ASS'Y

POWER SUPPLY REGULATOR



SEE  
DEC 16-11228-00 (60HZ)  
16-11228-01 (50HZ)

FIRST USED ON OPTION/MODEL		QTY.	DESCRIPTION	PART NO.	ITEM NO.
RS03 / RS04					
PARTS LIST					
UNLESS OTHERWISE SPECIFIED DIMENSION IN INCHES TOLERANCES		DRN V. Busonette	DATE 8-22-72	digital EQUIPMENT CORPORATION MAYNARD, MASSACHUSETTS	
DECIMALS		CHKD. J. S. C. / J. S. C.	DATE 3-6-73	TITLE POWER SUPPLY REGULATOR	
ANGLES		ENG J. S. C. / J. S. C.	DATE 3-6-73	REV. K	
.XXX ± .006		PROJ. ENG. J. S. C. / J. S. C.	DATE 3-6-73	NUMBER D CS 5410188-0-1	
.XX ± .02		PRD. J. S. C. / J. S. C.	DATE 3-6-73	SCALE 2 OF 2	
.X ± .1		REMOVE BURRS AND BREAK SHARP CORNERS SURFACE QUALITY			
MATERIAL		NEXT HIGHER ASSY		SIZE CODE	
FINISH		SCALE		DIST.	
		SHEET			

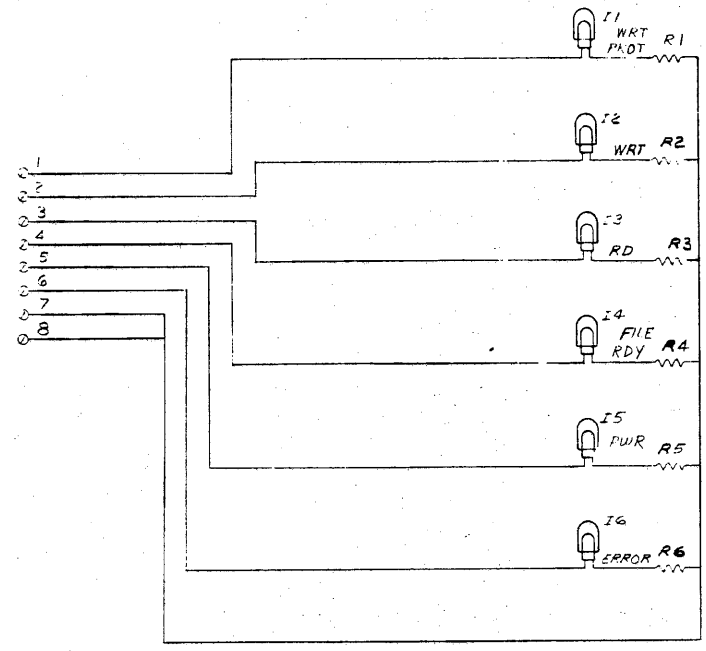
BRUNING 40 322 151640  
REVISIONS  
CHK  
CHNGT NO.  
REV

SIZE CODE  
D CS 5410188-0-1



This drawing and specifications, herein, are the property of Digital Equipment Corporation and shall not be reproduced or copied in whole or in part as the basis for the manufacture or sale of items without written permission.

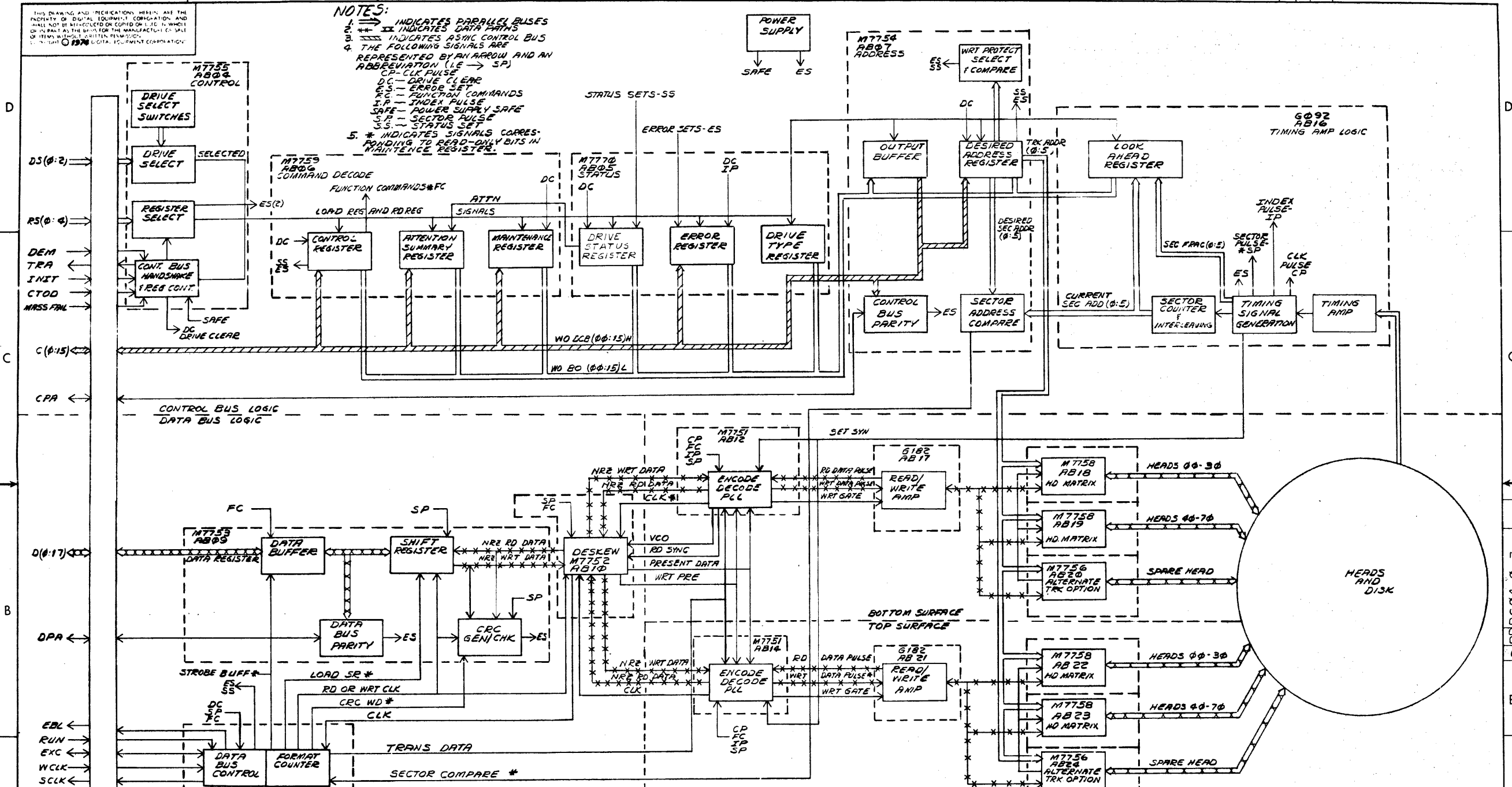
COPYRIGHT © 1972  
DIGITAL EQUIP CORP



FIRST USED ON OPTION/MODEL	QTY.	DESCRIPTION	PART NO.	ITEM NO.
RS03/04				
PARTS LIST				
UNLESS OTHERWISE SPECIFIED DIMENSION IN INCHES. TOLERANCES		DRN <i>G. MacArthur</i>	DATE 10-16-72	<b>digital</b> EQUIPMENT CORPORATION MAYNARD, MASSACHUSETTS
		CHKD <i>D. S.</i>	DATE 10-20-72	
DECIMALS	ANGLES	ENG <i>M. Field</i>	DATE 6/7/73	TITLE
.xxx = .005	±0° 30'	PROJ. ENG <i>M. Field</i>	DATE 6/7/73	LIGHT PANEL
.xx = .02		PROD. <i>D. MacArthur</i>	DATE 6/7/73	
REMOVE BURRS AND BREAK SHARP CORNERS SURFACE QUALITY ✓				
MATERIAL	NEXT HIGHER ASSY.		SIZE CODE	NUMBER
FINISH			DCS	5410292-0-1
		SCALE	REV.	
		SHEET 2 OF 2	C	

REV	CHANGE NO.

**NOTES:**  
 1. → INDICATES PARALLEL BUSES  
 2. \*\* INDICATES DATA PATHS  
 3. ~~~~ INDICATES ASYNC CONTROL BUS  
 4. THE FOLLOWING SIGNALS ARE REPRESENTED BY AN ARROW AND AN ABBREVIATION (I.E. → SP)  
 CP - CLK PULSE  
 DC - DRIVE CLEAR  
 ES - ERROR SET  
 FC - FUNCTION COMMANDS  
 IP - INDEX PULSE  
 SAFE - POWER SUPPLY SAFE  
 SP - SECTOR PULSE  
 SS - STATUS SET  
 5. \* INDICATES SIGNALS CORRESPONDING TO READ-ONLY BITS IN MAINTENANCE REGISTER.

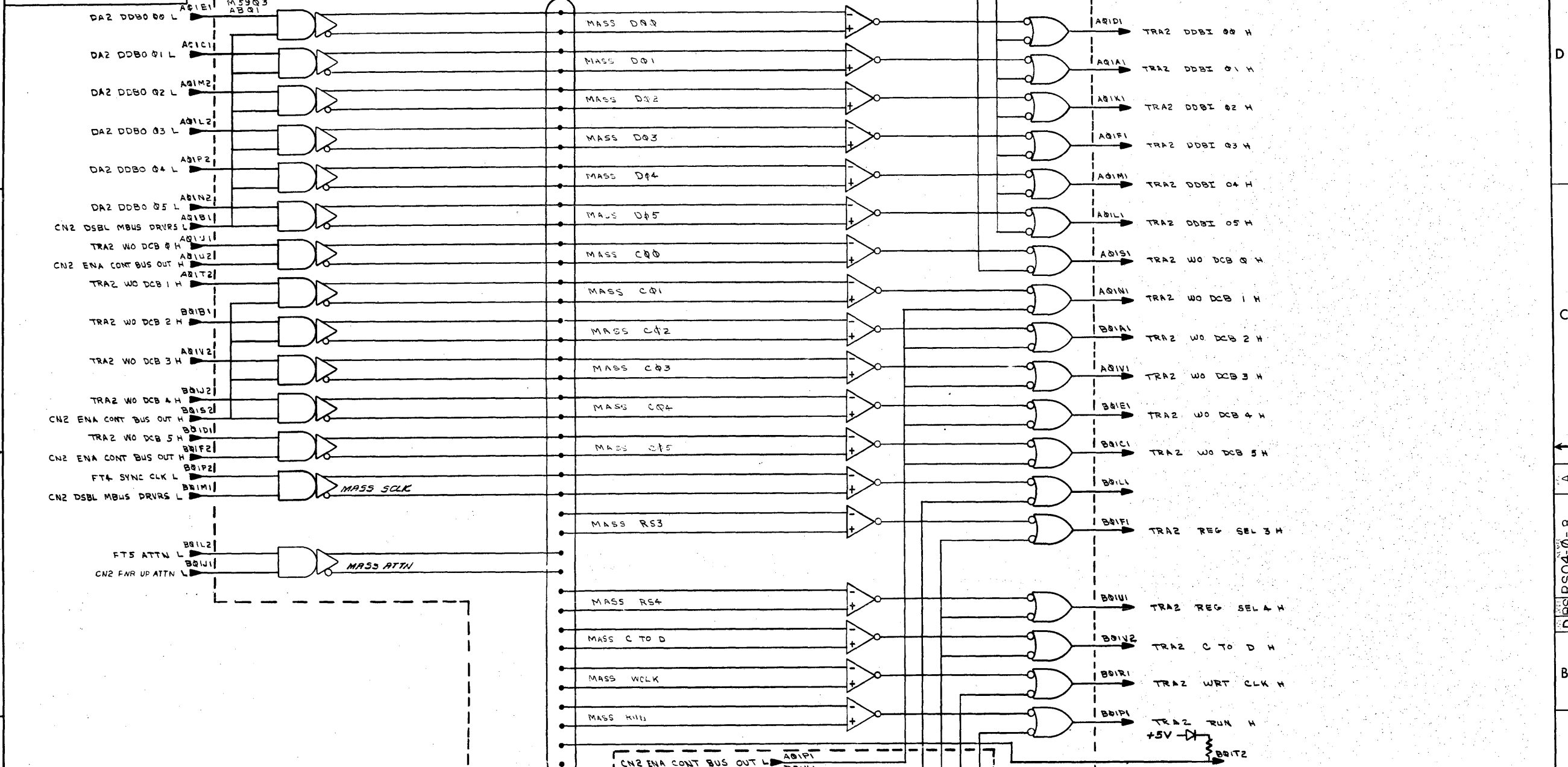


M5903  
 AB 01, 02, 03  
 MASS BUS  
 TRANSCIEVERS  
 (SEE INDIVIDUAL RS04  
 BLOCK SCHEMATICS  
 FOR SIGNAL PIN LOCATIONS)

CHK	CHANGE NO	REV	FIRST USED ON OPTION MODEL		QTY	DESCRIPTION	PART NO.	ITEM NO.
			RS04					
			UNLESS OTHERWISE SPECIFIED		PARTS LIST			
			DIMENSION IN INCHES		digital EQUIPMENT CORPORATION			
			TOLERANCES		DATE			
			DECIMALS	ANGLES	4-1-74			
			.xxx = .005	.0 30'	DATE			
			.xx = .02		4-1-74			
			.x = .1		DATE			
			REMOVE BURRS AND BREAK SHARP CORNERS SURFACE QUALITY 1		DATE			
			NEXT HIGHER ASSY.		DATE			
			MATERIAL		B-DD-RS04-0			
			FINISH		SCALE			
					SHEET 1 OF 1			

**RS04 LOGIC BLOCK DIAGRAM**

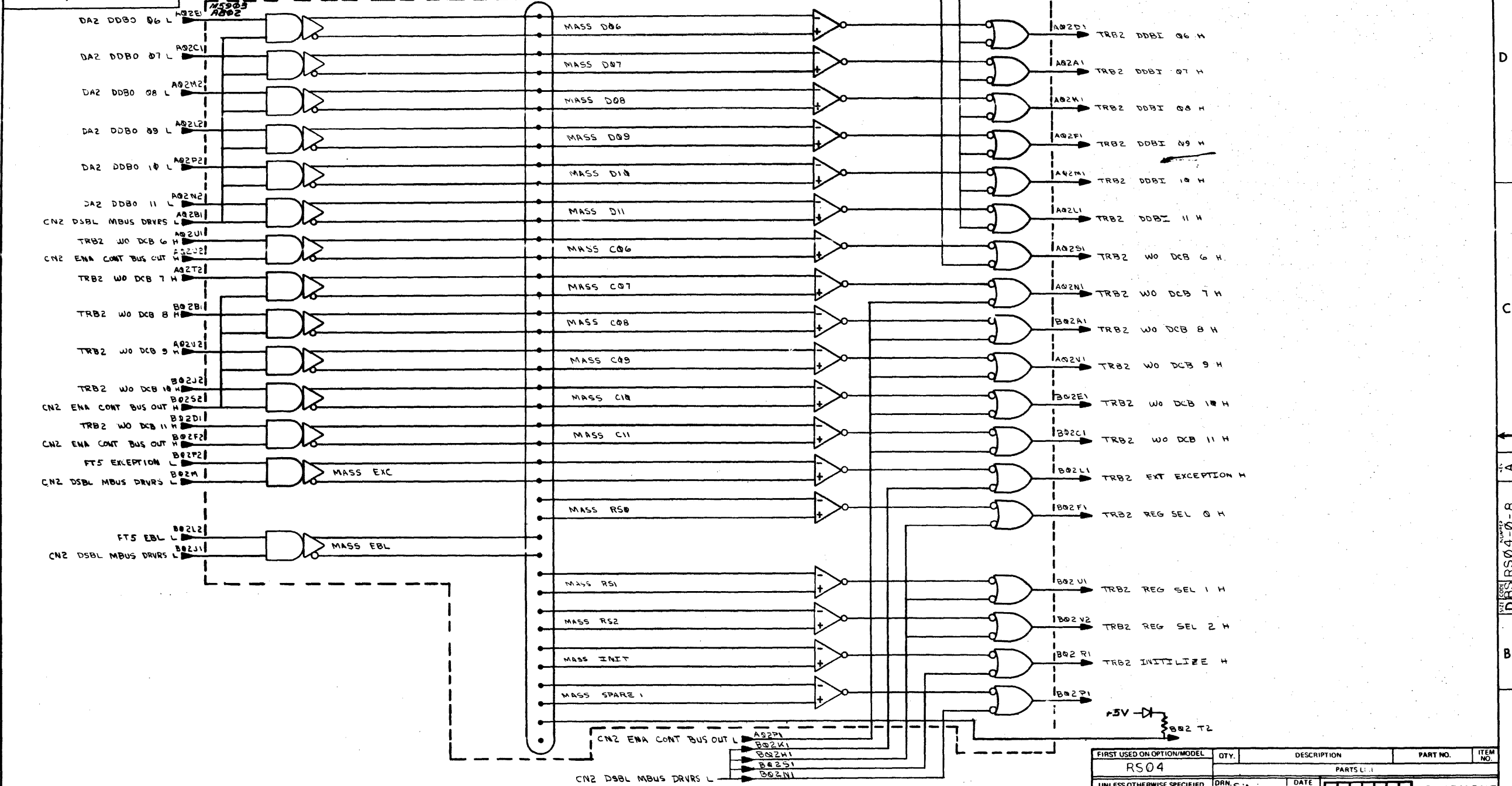
THIS DRAWING AND SPECIFICATIONS HEREIN ARE THE PROPERTY OF DIGITAL EQUIPMENT CORPORATION AND SHALL NOT BE REPRODUCED OR COPIED OR USED IN WHOLE OR IN PART AS THE BASIS FOR THE MANUFACTURE OR SALE OF ITEMS WITHOUT WRITTEN PERMISSION OF DIGITAL EQUIPMENT CORPORATION.



REV	DATE	BY	CHK
1	5/12/74	MCLEAN	
2	5/12/74		

FIRST USED ON OPTION/MODEL <b>RS04</b>	QTY.	DESCRIPTION	PART NO.	ITEM NO.
UNLESS OTHERWISE SPECIFIED DIMENSION IN INCHES	ORN. <i>Silvia</i>	DATE <i>2-26-74</i>	<b>digital</b> EQUIPMENT CORPORATION MAYNARD, MASSACHUSETTS	
TOLERANCES	CHKD. <i>John</i>	DATE <i>3-5-74</i>		
DECIMALS .xxx = .005	ENG. <i>J.F. FAVA</i>	DATE <i>4-1-74</i>	TITLE <b>MASSBUS TRANSCEIVER (TRA)</b>	
ANGLES '0 30'	PROJ. ENG. <i>J.F. FAVA</i>	DATE <i>4-1-74</i>		
REMOVE BURRS AND BREAK SHARP CORNERS SURFACE QUALITY V	PROD. <i>J. Halligan</i>	DATE <i>4/1/74</i>	MATERIAL	NEXT HIGHER ASSY.
FINISH	SCALE	SHEET 1 OF 3	<b>B-DD-RS04-0</b>	SIZE CODE <b>D</b>
			NUMBER <b>RS04-0-8</b>	REV. <b>A</b>

THIS DRAWING AND SPECIFICATIONS HEREIN ARE THE PROPERTY OF DIGITAL EQUIPMENT CORPORATION AND SHALL NOT BE REPRODUCED OR COPIED IN WHOLE OR IN PART AS THE BASIS FOR THE MANUFACTURE OR SALE OF ITEMS WITHOUT WRITTEN PERMISSION. COPYRIGHT © 1974 DIGITAL EQUIPMENT CORPORATION.

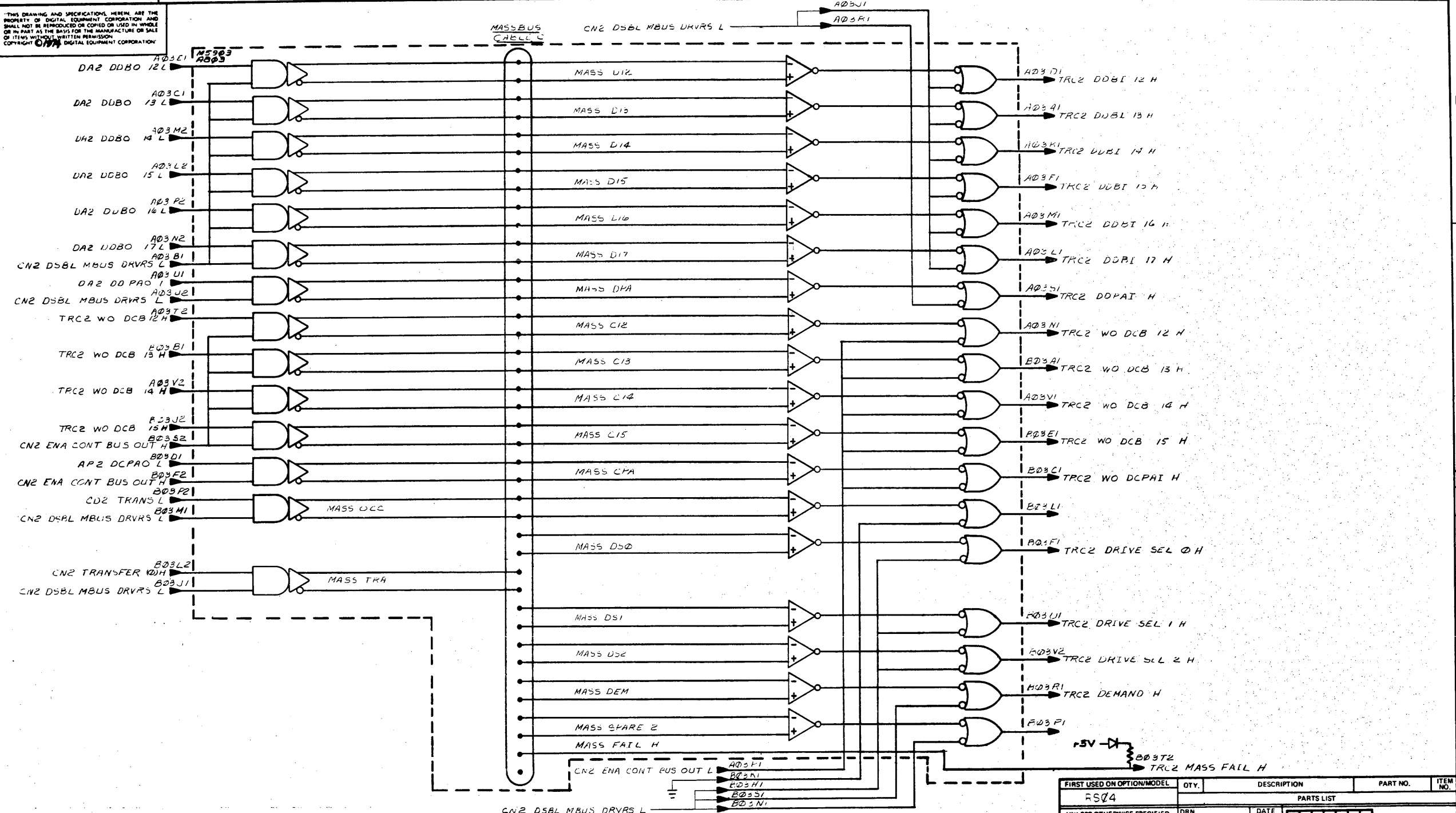


REV	CHG	NO	DATE

FIRST USED ON OPTION/MODEL	QTY.	DESCRIPTION	PART NO.	ITEM NO.
RS04				
UNLESS OTHERWISE SPECIFIED DIMENSION IN INCHES		DRN. Silvia	DATE 2-26-74	
TOLERANCES		CHKD. J. Quinn	DATE 3-2-74	
DECIMALS	ANGLES	ENG. J.F. FAVA	DATE 4-1-74	<b>MASSBUS TRANSCEIVER (TRB)</b>
.XX ± .005	± 0° 30'	PROJ. ENG. J.F. FAVA	DATE 4-1-74	
.X ± .01		PROD. J. Kachler	DATE 4-1-74	MATERIAL: S-S FINISH: S-S
REMOVE BURRS AND BREAK SHARP CORNERS SURFACE QUALITY V		NEXT HIGHER ASSY.		SIZE CODE: D BS NUMBER: RS04-0-8 REV: A
SCALE		SHEET 2 OF 3		DIST.

BS RS04-0-8  
 PARTS LIST

THIS DRAWING AND SPECIFICATIONS HEREIN ARE THE PROPERTY OF DIGITAL EQUIPMENT CORPORATION AND SHALL NOT BE REPRODUCED OR COPIED OR USED IN WHOLE OR IN PART AS THE BASIS FOR THE MANUFACTURE OR SALE OF ITEMS WITHOUT WRITTEN PERMISSION. COPYRIGHT © 1977 DIGITAL EQUIPMENT CORPORATION.

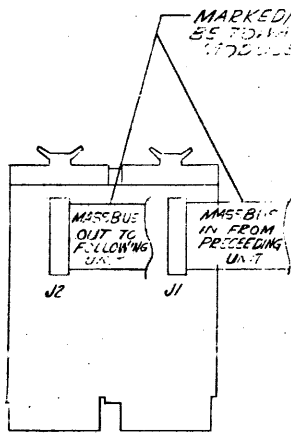


REV	
CHANGE NO	
CHK	

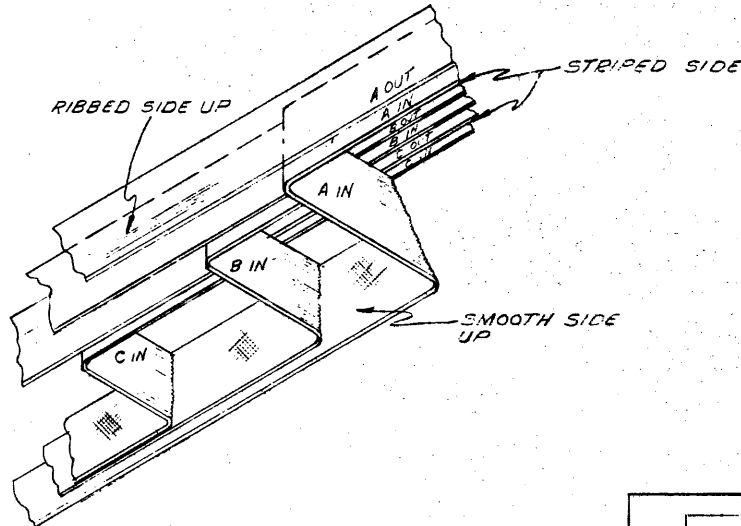
FIRST USED ON OPTION/MODEL	QTY.	DESCRIPTION	PART NO.	ITEM NO.														
RS04																		
UNLESS OTHERWISE SPECIFIED DIMENSION IN INCHES																		
TOLERANCES																		
DECIMALS	ANGLES	DATE																
.XXX = .005	±0° 30'	3-3-74																
.XX = .02		DATE																
.X = .1		4-1-74																
REMOVE BURRS AND BREAK SHARP CORNERS SURFACE QUALITY V																		
NEXT HIGHER ASSY.																		
MATERIAL		SIZE CODE		NUMBER														
		B-DD-RS04-0		REV.														
FINISH		SCALE																
		SHEET 3 OF 3																
PARTS LIST																		
<table border="1"> <tr> <td>DRN.</td> <td>DATE</td> <td rowspan="2"> </td> </tr> <tr> <td>CHKD.</td> <td>DATE</td> </tr> <tr> <td>ENG.</td> <td>DATE</td> <td>TITLE</td> </tr> <tr> <td>PROJ. ENG.</td> <td>DATE</td> <td>MASSBUS</td> </tr> <tr> <td>PROD.</td> <td>DATE</td> <td>TRANSCIVER (TRC)</td> </tr> </table>					DRN.	DATE		CHKD.	DATE	ENG.	DATE	TITLE	PROJ. ENG.	DATE	MASSBUS	PROD.	DATE	TRANSCIVER (TRC)
DRN.	DATE																	
CHKD.	DATE																	
ENG.	DATE	TITLE																
PROJ. ENG.	DATE	MASSBUS																
PROD.	DATE	TRANSCIVER (TRC)																
D B S		R S 0 4 - 0 - 8		A														

This drawing and specifications, herein, are the property of Digital Equipment Corporation and shall not be reproduced or copied or used in whole or in part as the basis for the manufacture or sale of items without written permission.

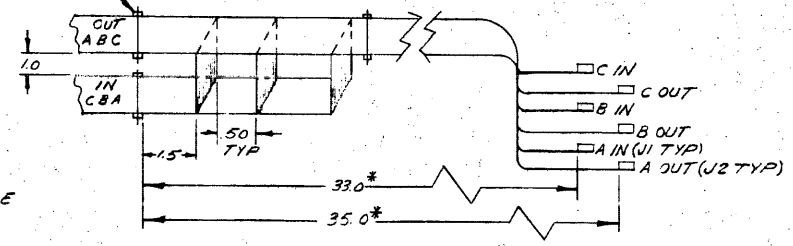
COPYRIGHT © 1974 DIGITAL EQUIP CORP.



MARKED/COLORED EDGE MUST BE POINTED TOWARD THE FOLLOWING UNIT



2 TY-RAPS (9007032)  
TYP 3 PLCS  
(SEE NOTE 5)

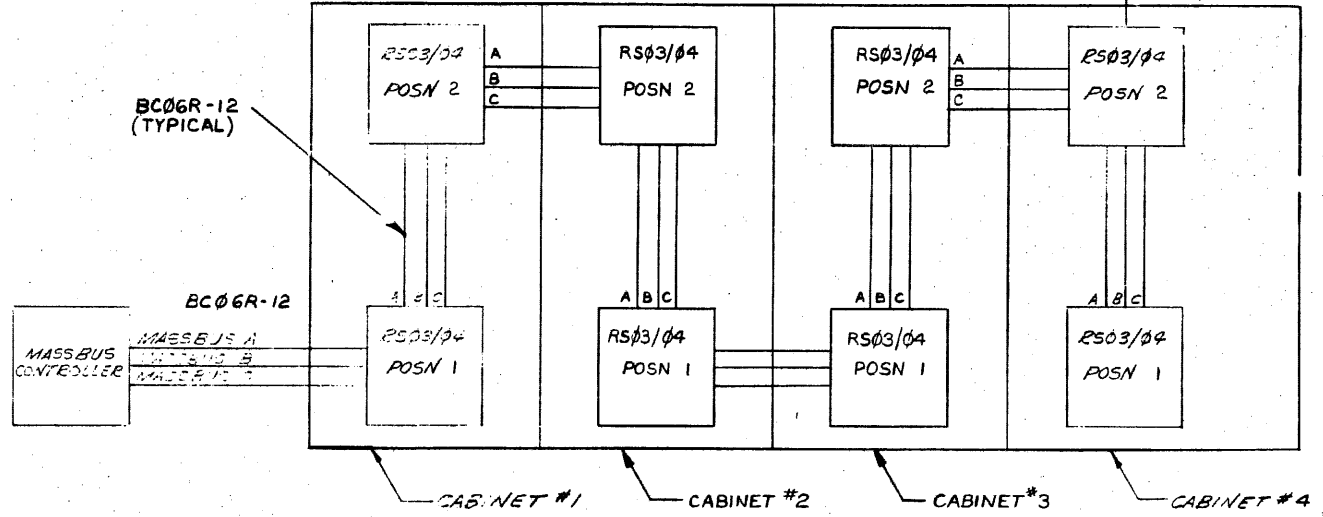


\* MEASUREMENTS MADE WITH CABLE STRAIGHT

UNIT	MASSBUS	MODULE	SLOT
R503/04 1	A	M5903	AB1
1	B		AB2
1	C		AB3
2	A		AB1
2	B		AB2
2	C		AB3
3	A		AB1
3	B		AB2
3	C		AB3
4	A		AB1
4	B		AB2
4	C		AB3
5	A		AB1
5	B		AB2
5	C		AB3
6	A		AB1
6	B		AB2
6	C		AB3
7	A		AB1
7	B		AB2
7	C	M5903	AB3
BLAST	A	M5903	AB1
BLAST	B	M5903	AB2
BLAST	C	M5903	AB3

NOTES:

- ANY NUMBER OF RS03/04'S FROM 1 TO 4 MAY BE CONNECTED TO A MASSBUS CONTROLLER. ANY PARTICULAR SYSTEM MAY BE CONFIGURED IN A VARIETY OF WAYS AS LONG AS THE FOLLOWING GUIDELINES ARE MET.
    - VERTICALLY ADJACENT (IN THE SAME CABINET) DRIVES ARE CONNECTED BY 12 FT CABLES (TO ALLOW DRIVES TO BE SLID OUT FOR SERVICING).
    - HORIZONTALLY ADJACENT (IN IMMEDIATELY ADJACENT CABS) ARE CONNECTED BY 12 FOOT CABLES (TO ALLOW DRIVES TO BE SLID OUT FOR SERVICING).
    - THE TOTAL SYSTEM LENGTH OF MASSBUS CABLE DOES NOT EXCEED 120 FT.
 SHOWN IS AN EXAMPLE OF AN 8 DRIVE SYSTEM.
  - LAST UNIT EQUIPPED WITH M5903 PLUS H070° TERMINATOR. CONTROLLERS USE M5904.
  - MAX BUS LENGTH 120 FT.
  - CABLE LENGTHS MUST ENABLE FULL EXTENSION FOR SERVICING.
- \* MAY BE M5903A OTHER SYSTEMS
- LOCATE TY-RAPS AGAINST CABLE CLAMPS ON REAR OF DRIVE.



SEE NOTE 1

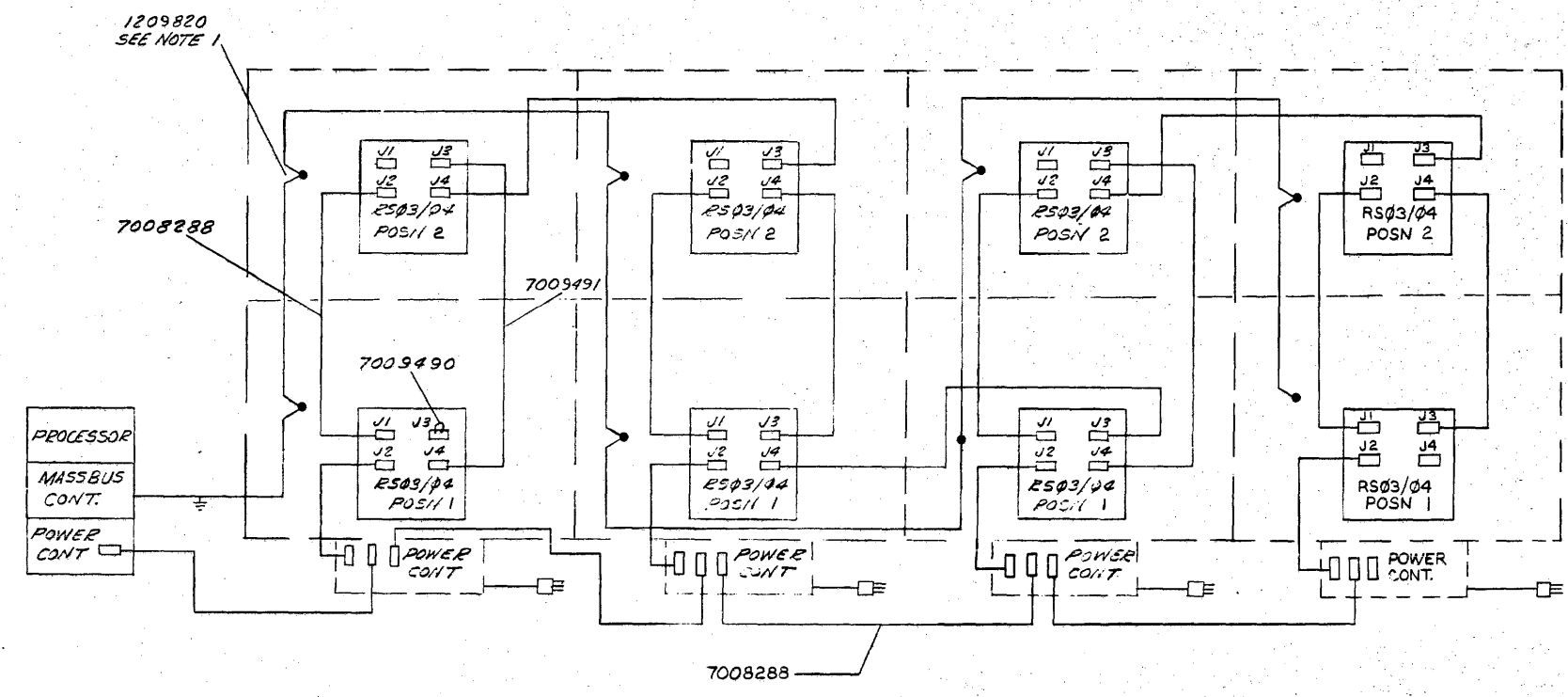
REV	DATE	BY	CHK
1	1-27-75	J. READ	J. READ

FIRST USED ON OPTION/MODEL	QTY.	DESCRIPTION	PART NO.	ITEM NO.	
RS03/04					
PARTS LIST					
UNLESS OTHERWISE SPECIFIED DIMENSION IN INCHES. TOLERANCES		DBN: <i>W. K...</i> DATE: <i>12/10/75</i> CHKD: <i>D.J.</i> DATE: <i>12/17/75</i> ENG: <i>...</i> DATE: <i>...</i> PROJ. ENG: <i>...</i> DATE: <i>...</i> PROD: <i>...</i> DATE: <i>...</i>	digital EQUIPMENT CORPORATION MAYNARD MASSACHUSETTS		
DECIMALS: .XXX = .005 .XX = .02 X = .1	ANGLES: ± 0° 30'	TITLE: MASSEBUS CABLE CONFIGURATION			
REMOVE BURRS AND BREAK SHARP CORNERS SURFACE QUALITY		NEXT HIGHER ASSY.			
MATERIAL: <i>...</i>	FINISH: <i>...</i>	SIZE CODE: RS04/03	NUMBER: DSD RS04-0-6	REV: A	
SCALE: SHEET 1 OF 1		DIST.			



"THIS DRAWING AND SPECIFICATIONS HEREIN ARE THE PROPERTY OF DIGITAL EQUIPMENT CORPORATION AND SHALL NOT BE REPRODUCED OR COPIED OR USED IN WHOLE OR IN PART AS THE BASIS FOR THE MANUFACTURE OR SALE OF ITEMS WITHOUT WRITTEN PERMISSION. COPYRIGHT © 1974, DIGITAL EQUIPMENT CORPORATION."

NOTE:  
 1. GROUND STRAP SECURED TO DRIVE UNDER L.H. LOCKING PLATE SCREW.



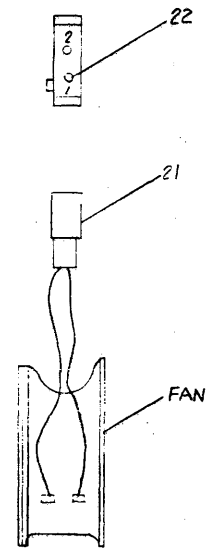
REV.	CHANGE NO.	DATE
A	1	1-27-75
B	2	1-27-75
C	3	1-27-75
D	4	1-27-75

FIRST USED ON OPTION/MODEL	QTY.	DESCRIPTION	PART NO.	ITEM NO.
RS03/04				
PARTS LIST				
UNLESS OTHERWISE SPECIFIED DIMENSION IN INCHES	DRN. <i>F.H. Kojima</i>	DATE <i>26 Nov 75</i>		
TOLERANCES	CHK'D. <i>D.P.</i>	DATE <i>14 Nov 75</i>		
DECIMALS .xxx = .005	ENG. <i>J.L.</i>	DATE <i>11-1-75</i>	TITLE REMOTE POWER & SEQUENCE CONFIGURATION	
ANGLES ±0° 30'	PROJ. ENG. <i>J.L.</i>	DATE <i>11-2-75</i>		
REMOVE BURRS AND BREAK SHARP CORNERS SURFACE QUALITY √	PROD. <i>J.L.</i>	DATE <i>11-2-75</i>	SIZE CODE DED	
MATERIAL <i>TK</i>	NEXT HIGHER ASSY.		NUMBER	REV.
FINISH <i>TK</i>	SCALE <i>TK</i>	SHEET 1 OF 1	RS04-0-5	A

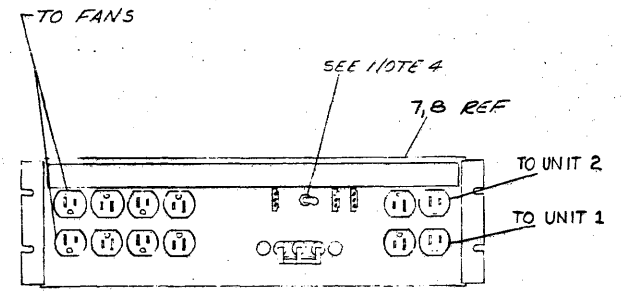
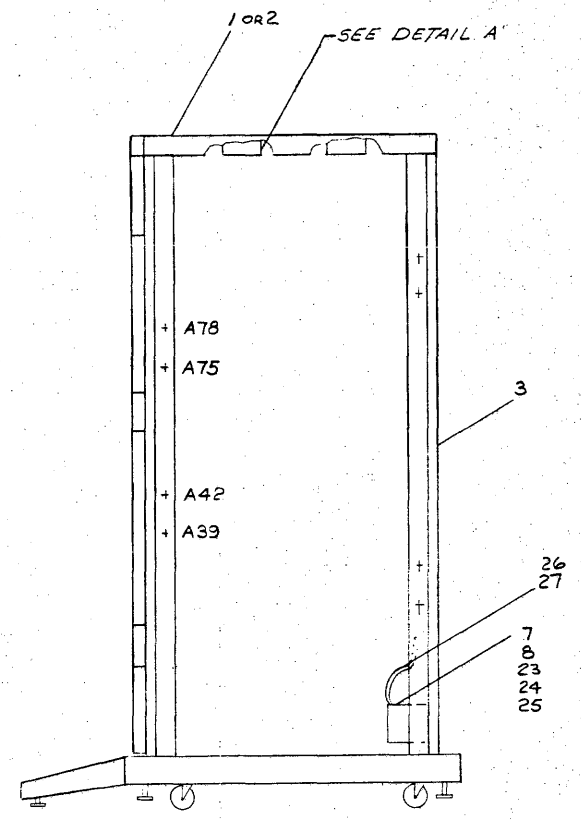
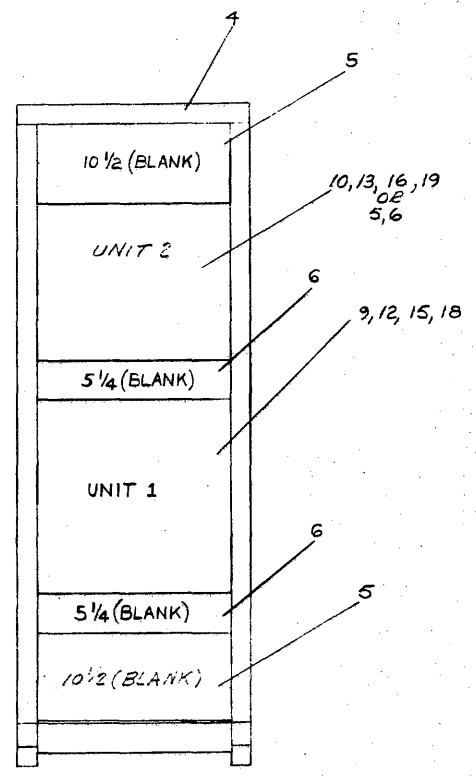


This drawing and specifications, herein, are the property of Digital Equipment Corporation and shall not be reproduced or copied or used in whole or in part as the basis for the manufacture or sale of items without written permission.

COPYRIGHT © 1974  
DIGITAL EQUIP CORP



DETAIL A  
SEE NOTE 3



POWER CONNECTIONS

NOTES:  
 1. FOR VARIATIONS RS04-BA, BC, BE, BD, UNIT 2 IS REPLACED BY ITEMS 5 & 6.  
 2. FOR VARIATIONS ~~RS04-BA, BC, BE, BD, UNIT 2 IS REPLACED BY~~ ~~ITEMS 5 & 6.~~  
 3. ITEM 21 & 22 TO BE ATTACHED TO EXISTING FAN WIRES IN ITEMS 1 & 2.  
 4. OPERATE POWER CONTROL WITH SWITCH IN "LOCAL ON" POSITION.

VARIATION	DISK	POWER
RS04-BA	(1) RS04-AA	115V 60Hz
RS04-BE	(1) RS04-AB	230V 60Hz
RS04-BC	(1) RS04-AC	115V 50Hz
RS04-BD	(1) RS04-AD	230V 50Hz
RS04-CA	(2) RS04-AA	115V 60Hz
RS04-CB	(2) RS04-AB	230V 60Hz
RS04-CC	(2) RS04-AC	115V 50Hz
RS04-CD	(2) RS04-AD	230V 50Hz

FIRST USED ON OPTION/MODEL	QTY.	DESCRIPTION	PART NO.	ITEM NO.
RS04		PARTS LIST		
UNLESS OTHERWISE SPECIFIED DIMENSION IN INCHES TOLERANCES		DRN: <i>E. H. King</i>	DATE: <i>10/10/73</i>	 TITLE: RS04 OPTION CONFIGURATION
DECIMALS	ANGLES	CHKD: <i>[Signature]</i>	DATE: <i>[Blank]</i>	
.xxx = .005 .xx = .02 .x = .1	±0° 30'	ENG: <i>[Blank]</i>	DATE: <i>[Blank]</i>	
REMOVE BURRS AND BREAK SHARP CORNERS SURFACE QUALITY ✓		PROJ. ENG: <i>[Blank]</i>	DATE: <i>[Blank]</i>	
MATERIAL: <i>NL</i>	NEXT HIGHER ASSY.	PROD: <i>[Blank]</i>	DATE: <i>[Blank]</i>	SIZE CODE: <b>DOC</b> NUMBER: <b>RS04-0-4</b> REV: <b>A</b>
FINISH: <i>NL</i>	SCALE: <i>NL</i>	SHEET 1 OF 1		

REV	CHG	NO	DATE	BY
A	1	1	1-21-73	J. READ

BRUNING 40-107 15848

DIGITAL EQUIPMENT CORPORATION

MAYNARD, MASSACHUSETTS

PARTS LIST

MADE BY John D. Read	CHECKED J. Read	SECTION
DATE March 6, 1974	DATE March 8, 1974	
ENG John D. Read	PROD Jan Lovelace	ISSUED SECT.
DATE March 5, 1974	DATE 3/11/74	

QUANTITY / VARIATION

ITEM NO.	DWG NO. / PART NO.	DESCRIPTION	RS04-BA-4	RS04-BB-4	RS04-BC-4	RS04-BD-4	RS04-CA-4	RS04-CB-4	RS04-CC-4	RS04-CD-4	<del>RS04-DA-4</del>	<del>RS04-DB-4</del>	<del>RS04-DC-4</del>	<del>RS04-DD-4</del>
			1	7006501-33-0	19" Cab Assy. w. Casters & Levelers 115V	1		1	1		1			±
2	7006501-34-0	19" Cab Assy. w. Casters & Levelers 230V		1		1		1		1		±		±
3	H950 DA	Mounting Panel Door R.H.	1	1	1	1	1	1	1	1	±	±	±	±
4	H950 LB	Logo Frame Panel	1	1	1	1	1	1	1	1	±	±	±	±
5	H950 QA	10-1/2" Bezel Cover Panel	3	3	3	3	2	2	2	2	±	±	±	±
6	H950 PA	5-1/4" Bezel Cover Panel	3	3	3	3	2	2	2	2	±	±	±	±
7	861-C	Power Control (115V)	1		1			1			±		±	
8	861-B	Power Control (230V)		1		1		1		1		±		±
9	RS04-AA	DEC Disk (115V 60 Hz)	1				1				±			
10	RS04-AA	DEC Disk (115V 60 Hz)					1				±			
<del>11</del>	<del>RS04-AA</del>	<del>DEC Disk (115V 60 Hz)</del>									±			
12	RS04-AB	DEC Disk (230V 60 Hz)		1				1				±		
13	RS04-AB	DEC Disk (230V 60 Hz)						1				±		
<del>14</del>	<del>RS04-AB</del>	<del>DEC Disk (230V 60 Hz)</del>										±		
15	RS04-AC	DEC Disk (115V 50 Hz)			1				1				±	
16	RS04-AC	DEC Disk (115V 50 Hz)							1				±	
<del>17</del>	<del>RS04-AC</del>	<del>DEC Disk (115V 50 Hz)</del>											±	
18	RS04-AD	DEC Disk (230V 50 Hz)				1				1				1
19	RS04-AD	DEC Disk (230V 50 Hz)								1				1
<del>20</del>	<del>RS04-AD</del>	<del>DEC Disk (230V 50 Hz)</del>												±
21	1210821-02	Conn	2	2	2	2	2	2	2	2	±	±	±	±
22	1209379-01	Pin	4	4	4	4	4	4	4	4	±	±	±	±

TITLE RS04 OPTION CONFIGURATION	ASSY NO.	SIZE CODE A PL	NUMBER RS04-0-4	REV A	ECO NO. RS04-00015
SHEET	OF 2	DIST.			

DEC FORM NO. 16-1031  
DRA 110

DIGITAL EQUIPMENT CORPORATION

MAYNARD, MASSACHUSETTS

PARTS LIST

MADE BY	CHECKED	SECTION
DATE	DATE	
ENG	PROD	ISSUED SECT.
DATE	DATE	

QUANTITY / VARIATION

ITEM NO.	DWG NO. / PART NO.	DESCRIPTION	RS04-BA-4	RS04-BB-4	RS04-BC-4	RS04-BD-4	RS04-CA-4	RS04-CB-4	RS04-CC-4	RS04-CD-4	<del>RS04-DA-4</del>	<del>RS04-DB-4</del>	<del>RS04-DC-4</del>	<del>RS04-DD-4</del>
			23	9007786	Tinnerman Nut 10-32	12	12	12	12	20	20	20	20	28
24	9006071-3	Screw Truss HD 10-32 x 3/8	12	12	12	12	20	20	20	20	28	28	28	28
25	9007651	Washer Ext Tooth	12	12	12	12	20	20	20	20	28	28	28	28
26	7009485-3	Fan Cable (115V)	1		1		1		1					
27	7009485-4	Fan Cable (230V)		1		1		1		1				

TITLE	ASSY NO.	SIZE CODE A PL	NUMBER RS04-0-4	REV A	ECO NO.
SHEET 2	OF 2	DIST.			

DEC FORM NO. 16-1031  
DRA 110