

DEC-11-HTCA-D

**TC11
DECtape system
engineering drawings**

Copyright © 1971 by Digital Equipment Corporation

The material in this manual is for informational purposes and is subject to change without notice.

The following are trademarks of Digital Equipment Corporation, Maynard, Massachusetts:

DEC	PDP
FLIP CHIP	FOCAL
DIGITAL	COMPUTER LAB

TC11 ENGINEERING DRAWINGS

Drawing	Sheets	Description	Drawing	Sheets	Description
A-ML-TC11-0	2	DEctape Control Master List	D-BS-TC11-0-18	1	Output Gating 2
D-UA-TC11-0-0	3	DEctape Control	D-BS-TC11-0-19	1	Address Selection & Interrupt Control
A-PL-TC11-0-0	1	DEctape Control (Parts List)	D-IC-TC11-0-20	1	Bus Connectors
D-DI-TC11-0-32	2	Drawing Index List	D-BS-TC11-0-21	1	Bus Address Register (TCBA)
D-AD-7007048-0-0	1	Wired Assembly	D-BS-TC11-0-22	1	Word Count Register (TCWC)
A-PL-7007408-0-0	1	Wired Assembly (Parts List)	D-BS-TC11-0-23	1	TC11 Control Panel
D-MU-TC11-0-0	2	Module Utilization	D-BS-TC11-0-24	1	DEctape Timing
A-PL-TC11-0-01	2	Module Utilization (Parts List)	D-BS-TC11-0-25	1	TC11 Slave Response
			D-BS-TC11-0-26	1	Ready and Error Sequence
D-BS-TC11-0-02	1	DEctape Control Control	D-BS-TC11-0-27	1	NPR Transfer – DATI
D-BS-TC11-0-03	1	DEctape Control Errors	D-TD-TC11-0-28	1	NPR Transfer – DATO
D-BS-TC11-0-04	1	DEctape Control TP, UPS, Motion Control	K-WL-TC11-0-30 (complete)	1	Wire List
D-BS-TC11-0-05	1	DEctape Control			
D-BS-TC11-0-06	1	RWB and LPB	C-CS-M105-0-1	1	Address Selector
D-BS-TC11-0-07	1	Mark Track Decoder	D-CS-M228-0-1	1	Mark Track Decoder
D-BS-TC11-0-08	1	NPR Control	D-CS-M239-0-1	1	Three 4-Bit Counter/Registers
D-BS-TC11-0-09	1	Register Control	D-CS-M7820-0-1	1	Interrupt Control Module
D-BS-TC11-0-10	1	Slave Response & Maintenance Bits	B-CS-M783-0-1	1	Unibus Transmitter
D-BS-TC11-0-11	1	Command Register	D-CS-M795-0-1	1	Word Count & Bus Address Register
D-BS-TC11-0-12	1	TU56 Connections	D-CS-M796-0-1	1	Unibus Master Control
D-BS-TC11-0-13	1	Unibus Drivers and Receivers	C-CS-M798-0-1	1	Unibus Drivers
D-BS-TC11-0-14	1	Data Register 1	B-CS-G879-0-1	1	Transport Detector
D-BS-TC11-0-15	1	Data Register 2	B-CS-G888-0-1	1	Manchester Read/Write Amplifier
D-BS-TC11-0-16	1	Data Register 3	B-CS-854-0-1	1	Power Control
D-BS-TC11-0-17	1	Output Gating 1			

This drawing and specifications, herein, are the property of Digital Equipment Corporation and shall not be reproduced or copied or used in whole or in part as the basis for the manufacture or sale of items without written permission.

MASTER DRAWING LIST

DWG. NO.	REV. LET.	NO. OF SHEETS	TITLE
D-UA-TC11-0-0	C	3	DEC TAPE CONTROL
A-PL-TC11-0-0	C	1	DEC TAPE CONTROL
D-DI-TC11-0-32	D	2	DRAWING INDEX LIST (TC11)
D-AD-7007048-0-0	A	1	WIRED ASSY
A-PL-7007048-0-0	A	1	WIRED ASSY
D-MU-TC11-0-01	E	2	MODULE UTILIZATION
A-PL-TC11-0-01	E	2	MODULE UTILIZATION
D-BS-TC11-0-02	C	1	DECTAPE CONTROL CONTROL
D-BS-TC11-0-03	B	1	DECTAPE CONTROL ERRORS
D-BS-TC11-0-04	A	1	DECTAPE CONT TP, UPS, MOTION CONT
D-BS-TC11-0-05	A	1	DECTAPE CONTROL
D-BS-TC11-0-06	A	1	RWB AND LPB
D-BS-TC11-0-07		1	MARK TRACK DECODER
D-BS-TC11-0-08	C	1	NPR CONTROL
D-BS-TC11-0-09		1	REGISTER CONTROL
D-BS-TC11-0-10	B	1	SLAVE RESP AND MAINT BITS
D-BS-TC11-0-11	A	1	COMMAND REGISTER
D-BS-TC11-0-12	C	1	TU56 CONNECTIONS
D-BS-TC11-0-13		1	INIBUS DRIVER AND RECEIVERS
D-BS-TC11-0-14		1	DATA REGISTER 1
D-BS-TC11-0-15		1	DATA REGISTER 2
D-BS-TC11-0-16		1	DATA REGISTER 3
D-BS-TC11-0-17	A	1	OUTPUT GATING 1
D-BS-TC11-0-18		1	OUTPUT GATING 2
D-BS-TC11-0-19	C	1	ADDR SEL AND INT CONT
D-IC-TC11-0-20		1	BUS CONNECTORS
D-BS-TC11-0-21	A	1	BUS ADDRESS REGISTER (TCBA)
D-BS-TC11-0-22	A	1	WORD COUNT REGISTER (TCWC)
D-BS-TC11-0-23		1	TC11 CONTROL PANEL
D-TD-TC11-0-24		1	DECTAPE TIMING
D-TD-TC11-0-25		1	TC11 SLAVE RESPONSE
D-TD-TC11-0-26		1	READY AND ERROR SEQUENCE

REVISIONS				DRN. MACKENZIE	DATE 10/24/70	digital	EQUIPMENT CORPORATION	MAYNARD, MASSACHUSETTS			
REV.	DATE	CHG. NO.	APP'D.	CHK'D.	DATE						
A	1/5/71	00002	P. J.	MACKENZIE	10/29/70	TITLE DECTAPE CONTROL					
B	2/7/71	00003	P. J.								
C	2/7/71	00004	P. J.								
D	5/7/71	00006	P. J.								
E	9/7/71	00007	A. V.								
F	11/7/71	00009	P. J.								
H	11/7/71	00008	P. J.								
J	4/72	00010	P. J.								
K	5/72	00011	P. J.								
L	5/72	00012	P. J.								
FIRST USED ON				DATE 11/3/70							
PDP-11				SIZE	CODE				NUMBER	REV.	
SCALE				A	ML	TC11-0					
SHEET 1 OF 3				DIST.							

MASTER DRAWING LIST

DWG. NO.	REV. LET.	NO. OF SHEETS	TITLE
D-TD-TC11-0-27		1	NPR TRANSFER DATA
D-TD-TC11-0-28		1	NPR TRANSFER DATA
D-AD-TC11-0-29	A	2	MAX CONNECTION (TC11)
K-WL-TC11-0-30 *	F	1	WIRE LIST
A-SP-TC11-0-33		20	ENGINEERING SPECIFICATION
A-SP-TC11-0-34	REF	4	TC11 TEST PROCEDURE
A-SP-TC11-0-35	REF	3	TC11/TU56 IN HOUSE ACCEPTANCE TEST
A-AL-TC11-0-36		1	TC11 ACCESSORY LIST
A-SL-TC11-0-37		1	TC11 SOFTWARE LIST
* PRINT THE COMPLETE WIRELIST			

REVISIONS				DRN. MACKENZIE	DATE 10/29/70	digital	EQUIPMENT CORPORATION	MAYNARD, MASSACHUSETTS
REV.	DATE	CHG. NO.	APP'D.	CHK'D.	DATE			
				MACKENZIE	10/29/70	TITLE DECTAPE CONTROL		
				ENG.				
				PROJ. ENG.				
				PROD.				
				FIRST USED ON				
				PDP-11				
SCALE				A	ML	TC11-0	REV.	
SHEET 2 OF 3				DIST.				

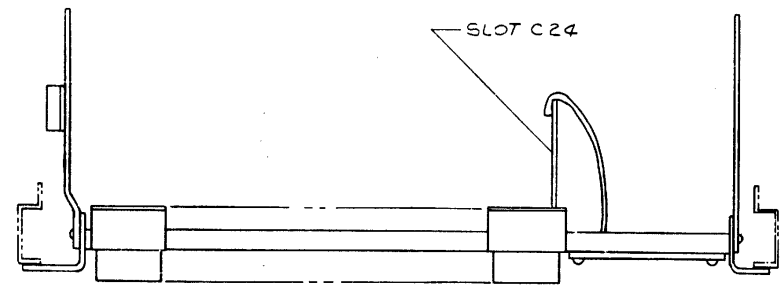
ADDITIONAL CUSTOMER PRINTS

Drawing Number	Rev. Let	Title
D-CS-M796-0-1	A	UNIBUS MASTER CONTROL
D-CS-M795-0-1	A	WC AND CMA MODULE
C-CS-M798-0-1		UNIBUS DRIVERS
B-CS-M783-0-1		UNIBUS DRIVERS
D-CS-M228-0-1		MARK TRACK DECODER
D-CS-M239-0-1		THREE "4" BIT CONVERTER REGISTER
B-CS-854-0-1	A	POWER CONTROL
B-CS-G879-0-1		TRANSPORT DETECTOR
D-CS-M7821-0-1		INTERRUPT CONTROL

Rev.	Date	Change Number		
L	5-31-72	TC11-00012	<i>Paul E. Janson</i> 11-25-70 Requested by Date	
			<i>Paul E. Janson</i> 11-25-70 Authorized by Date	
			3 of 3 A-ML-TC11-0 Rev. <input type="checkbox"/>	

This drawing and specifications herein are the property of Digital Equipment Corporation and shall not be reproduced or copied or used in whole or in part as the basis for the manufacture or sale of items without written permission.

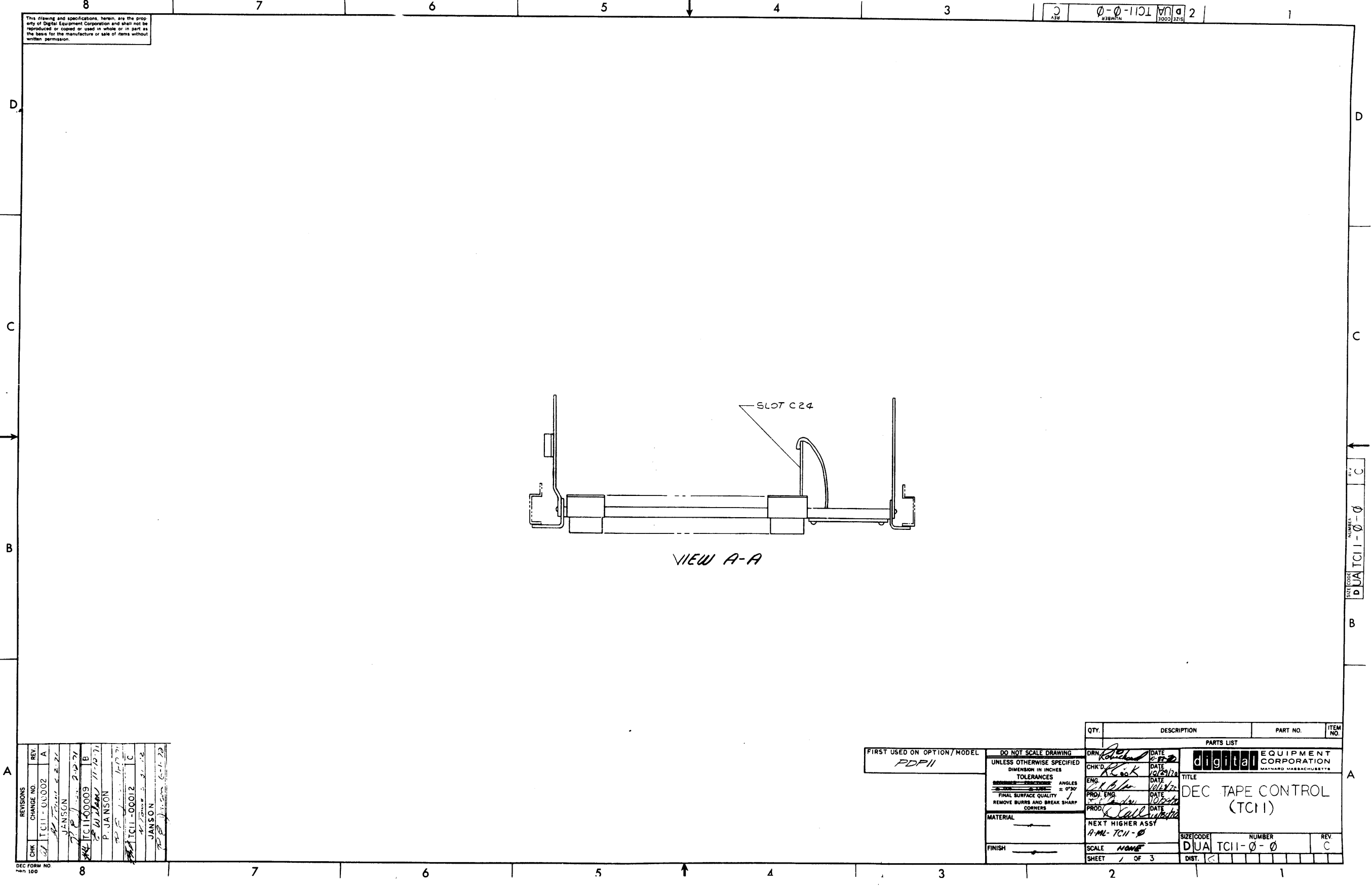
0-0-1101 2
 13200 3215



VIEW A-A

REV.	CHANGE NO.	DESCRIPTION
A	00002	Tape Control (TC11)
B	00009	Revised drawing
C	00012	Revised drawing

FIRST USED ON OPTION/MODEL PDP11		DO NOT SCALE DRAWING		DRN: [Signature] DATE: 12/29/70	
UNLESS OTHERWISE SPECIFIED DIMENSION IN INCHES		TOLERANCES		CHK'D: [Signature] DATE: 1/29/71	
ANGLES ± 0°30'		FINAL SURFACE QUALITY REMOVE BURRS AND BREAK SHARP CORNERS		ENG: [Signature] DATE: 1/14/71	
MATERIAL		FINISH		PROJ. ENG: [Signature] DATE: 1/29/71	
NEXT HIGHER ASST A-M-T-11-0		SCALE: NAME		PROD: [Signature] DATE: 1/29/71	
SHEET 1 OF 3		TITLE: DEC TAPE CONTROL (TC11)		DATE: 1/29/71	
PARTS LIST		QTY.		DESCRIPTION	
PART NO.		ITEM NO.		REV.	
digital EQUIPMENT CORPORATION		DUA		TC11-0-0	
MAYNARD MASSACHUSETTS		1		C	

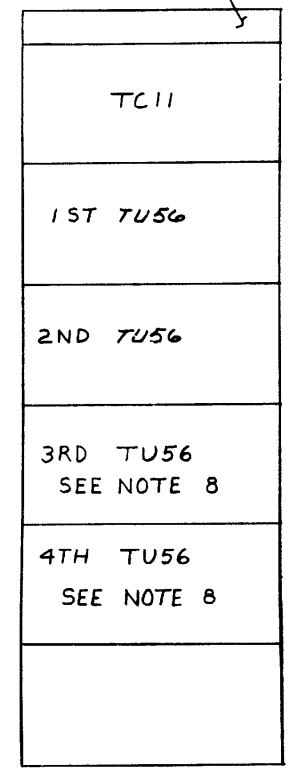


8 7 6 5 4 3 2 1

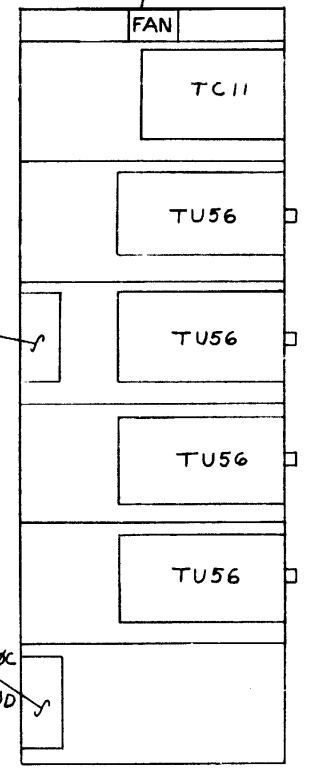
This drawing and specifications, herein, are the property of Digital Equipment Corporation and shall not be reproduced or copied or used in whole or in part as the basis for the manufacture or sale of items without written permission.

PDP-11 BLANK LOGO
D-IR-7407936-1

SEE NOTE 6



H950 CAB
FRONT



H950 CAB
(SIDE)

NOTES:

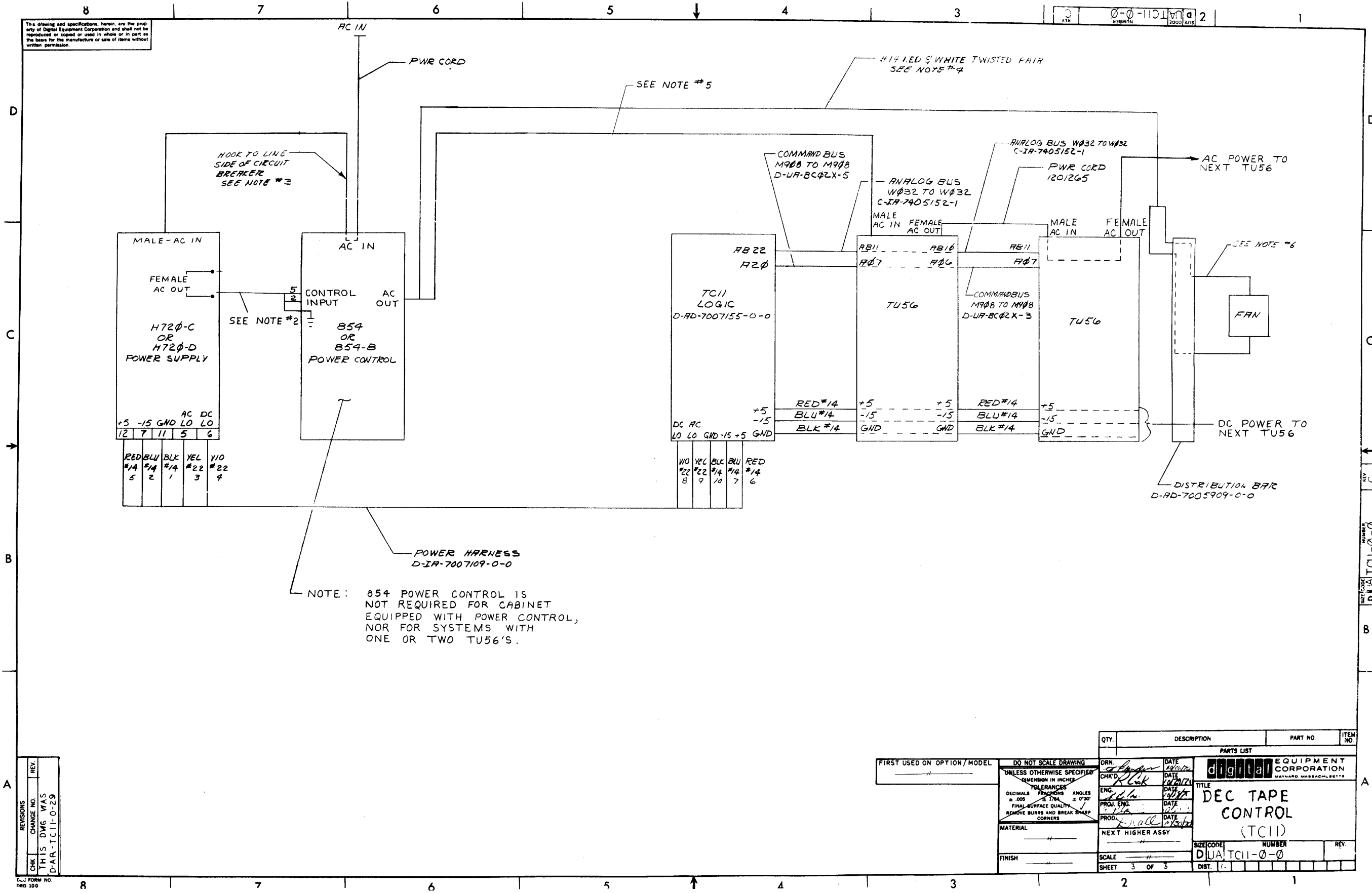
1. FOR SYSTEM WIRING INFORMATION SEE SHEET # 3
2. REMOVE FEMALE PLUG FROM POWER CORD (#1201265) & ATTACH (2) SOLDERLESS CONN #50364 ARKLESS (9007928) & (1) SOLDERLESS CONN #50325 ARKLESS (9007927) TO GND WIRE. GND WIRE IS ATTACHED TO TERMINAL STRIP MOUNTING SCREW.
3. REMOVE MALE PLUG FROM POWER CORD (1201265) & ATTACH (3) SOLDERLESS CONN #50368 ARKLESS (9007926).
4. ATTACH 4 #50906 ARKLESS (9007919) TO RED & WHITE TWISTED PAIR, ONE END IS ATTACHED TO B54 OUTPUT & THE OTHER END TO THE DISTRIBUTION BAR.
5. REMOVE MALE PLUG FROM POWER CORD (1201265) & ATTACH (2) SOLDERLESS CONN #50906 ARKLESS (9007919), 1 SOLDERLESS CONN #56325 ARKLESS (9007927) TO GND WIRE WHICH IS ATTACHED UNDERNEATH NEAREST SCREW HEAD.
6. USE ONE FAN FOR 110V SYSTEMS, CONNECT TWO FANS IN SERIES FOR 240V SYSTEMS.
7. H720 AND 854 ARE BACK-DOOR MOUNTED.
8. OPTIONALLY CAN BE "SELF-CONTAINED UNITS" SUCH AS BA11 OR RC11. INSTALL FIRST IN LOWEST POSITION AND EXPAND UP. TU56'S EXPAND DOWN.

REV.	CHG. NO.	DESCRIPTION
		THIS DWG WAS D-AR-TC11-0-29

FIRST USED ON OPTION / MODEL —	DO NOT SCALE DRAWING UNLESS OTHERWISE SPECIFIED DIMENSION IN INCHES TOLERANCES DECIMALS ± .005 FRACTIONS ± 1/16 ANGLES ± 0°30' FINAL SURFACE QUALITY REMOVE BURRS AND BREAK SHARP CORNERS	DRN. G. London	DATE 1/27/70	DIGITAL EQUIPMENT CORPORATION MAYNARD, MASSACHUSETTS
		CHK'D. R. Cook	DATE 2/3/70	
		ENG. J. Allen	DATE 2/13/70	TITLE DEC TAPE CONTROL (TC11)
		PROV. G. London	DATE 2/3/70	
		PROV. K. Call	DATE 2/3/70	SIZE CODE NUMBER DUA TC11-0-0
MATERIAL	FINISH	NEXT HIGHER ASSY	SCALE	REV. C
—	—	—	SHEET 2 OF 3	DIST. G

8 7 6 5 4 3 2 1

This drawing and specifications herein are the property of Digital Equipment Corporation and shall not be reproduced or copied in whole or in part as the basis for the manufacture or sale of items without written permission.



NOTE: 854 POWER CONTROL IS NOT REQUIRED FOR CABINET EQUIPPED WITH POWER CONTROL, NOR FOR SYSTEMS WITH ONE OR TWO TU56'S.

REVISIONS	REV.
CHANGE NO.	
CHK	DWG WAS
	DAR-TCII-0-29

FIRST USED ON OPTION / MODEL

DO NOT SCALE DRAWING
UNLESS OTHERWISE SPECIFIED
DIMENSION IN INCHES
TOLERANCES
DECIMALS FRACTIONS ANGLES
±.008 ±.004 ±.020
FINAL SURFACE QUALITY
REMOVE BURRS AND BREAK SHARP CORNERS
MATERIAL
FINISH

QTY.	DESCRIPTION	PART NO.	ITEM NO.
PARTS LIST			
DRN.	DATE	digital EQUIPMENT CORPORATION MAYNARD, MASSACHUSETTS	
CHK'D.	DATE	TITLE DEC TAPE CONTROL (TCII)	
ENG.	DATE	SIZE CODE NUMBER REV.	
PROJ. ENG.	DATE	DUA/TCII-0-0	
PROD.	DATE	DISTR. ()	
NEXT HIGHER ASSY		SCALE	
		SHEET 3 OF 3	

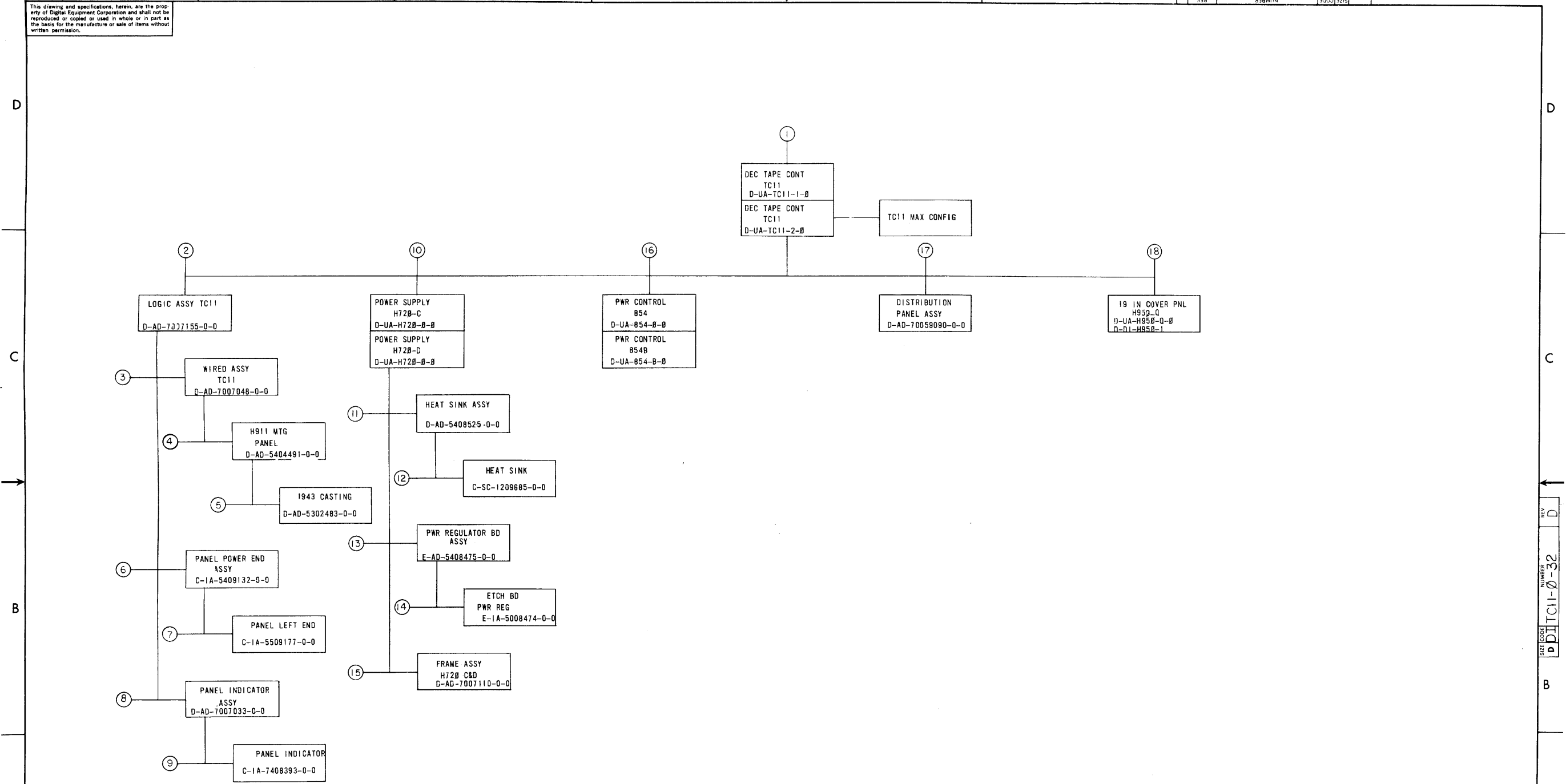
FORM NO. 100

DIGITAL EQUIPMENT CORPORATION
MAYNARD, MASSACHUSETTS
PARTS LIST

DIGITAL EQUIPMENT CORPORATION MAYNARD, MASSACHUSETTS PARTS LIST			QUANTITY / VARIATION																				
MADE BY R. ROBICHAUD		CHECKED J. FLEMING	SECTION		TC11-1	TC11-2																	
DATE 10-22-70		DATE 10-26-70	1																				
ENG <i>P. Gordon</i>		PROD <i>W. Hall</i>	ISSUED SECT.																				
DATE 10/29/70		DATE 10/30/70	1																				
ITEM NO.	DWG NO. / PART NO.	DESCRIPTION																					
1	D-AD-7007155-0-0	LOGIC ASSY (TC11)		1	1																		
2	9006073-1	SCR PHL HD PAN #10-32 X 1/2 SST		20	20																		
3	9007786	SPEED NUT #C31758-032-27 TINN.		20	20																		
4	9007651	WASH EXT TOOTH #10		20	20																		
5	D-IA-7007109-0-0	POWER HARNESS		1	1																		
6	D-UA-854-Ø-Ø	POWER CONTROL 854 (120V) *		A/R	0																		
7	D-UA-854-B-Ø	POWER CONTROL 854 B (240V) *		0	A/R																		
8	D-UA-H72Ø-C-Ø	POWER SUPPLY H720-C (120V)		1	0																		
9	D-UA-H72Ø-D-Ø	POWER SUPPLY H720-D (240V)		0	1																		
10	D-AD-7005909-0-0	DISTRIBUTION PANEL ASSY		1	1																		
11	D-UA-H95Ø-Q-Ø	19 IN COVER PANEL (10 1/2)		1	1																		
12	D-UA-BC11A-8-Ø	CABLE BC11A		1	1																		
13	D-MAD-1945-19-1	1945 HOLD DOWN BAR		1	1																		
14	C-SC1209856-Ø-Ø	MODULE HOLDER		6	6																		
15	H-850	EXT HANDLE		1	1																		
16	C-PL-7006501-23-0	BASIC CAB ASSY - 19"		1	1																		
17	A-PL-H752-C-Ø	FAN		0	1																		
*	854 IS NOT REQUIRED FOR SYSTEMS WITH 1 OR 2 TU56'S, NOR FOR CABINETS EQUIPPED WITH POWER CONTROLS.																						
TITLE DECTAPE CONTROL (TC11)				ASSY NO. D-UA-TC11-Ø-Ø		SIZE CODE A PL		NUMBER TC11-Ø-Ø				REV. C		ECO NO. TC11-00012									
				SHEET 1 OF 1		DIST. G																	

This drawing and specifications, herein, are the property of Digital Equipment Corporation and shall not be reproduced or copied or used in whole or in part as the basis for the manufacture or sale of items without written permission.

29-0-1101 IC 2



REV	CHG	NO	DATE	BY	REASON
1					
2					
3					
4					
5					
6					
7					
8					
9					
10					
11					
12					
13					
14					
15					
16					
17					
18					

FIRST USED ON OPTION / MODEL
TC11

DO NOT SCALE DRAWING
UNLESS OTHERWISE SPECIFIED
DIMENSION IN INCHES
TOLERANCES
DECIMALS FRACTIONS ANGLES
± .005 ± 1/64 ± 9'30"
FINAL SURFACE QUALITY
REMOVE BURRS AND BREAK SHARP CORNERS
MATERIAL
FINISH

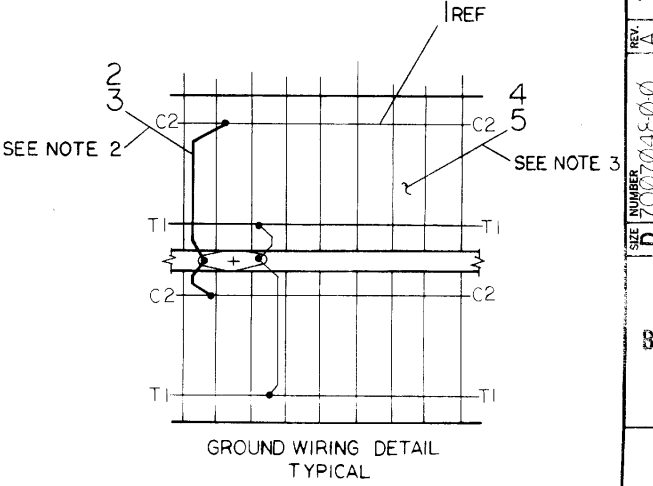
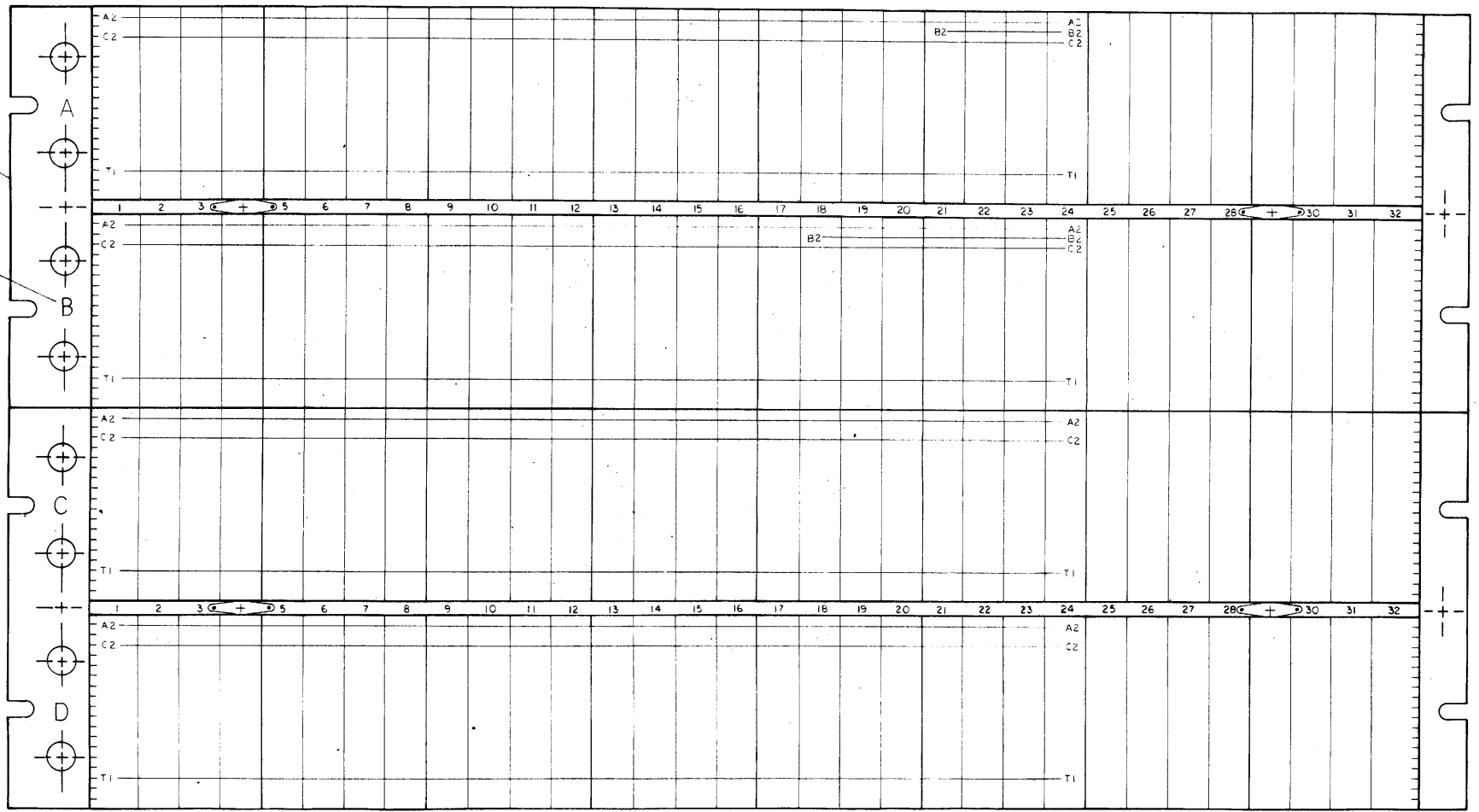
QTY.	DESCRIPTION	PART NO.	ITEM NO.
PARTS LIST			
ORN.	DATE	digital EQUIPMENT CORPORATION MAYNARD, MASSACHUSETTS	
CHKD.	DATE		
ENG.	DATE	DRAWING INDEX LIST (TC11)	
PROJ. ENG.	DATE		
PROD.	DATE	DRAWING INDEX LIST (TC11)	
NEXT HIGHER ASSY	DATE		
SCALE		SIZE CODE	NUMBER
SHEET 1 OF 2		DITTC11-0-32	REV. D

REV. D
DITTC11-0-32

This drawing and specifications, herein, are the property of Digital Equipment Corporation and shall not be reproduced or copied or used in whole or in part as the basis for the manufacture or sale of items without written permission.

WIRE TABLE				
ITEM NO	AWG	COLOR	FROM CONNECTION	TO CONNECTION
5	24	BLUE	A21B2	B21B2
5	24	BLUE	B24B2	C24V2
8	24	RED	A01A2	B01A2
8	24	RED	C01A2	D01A2
8	24	RED	B01A2	C01A2
8	24	RED	A A2	B24A2
8	24	RED	C24A2	D24A2
8	24	RED	B24A2	C24A2

- NOTES:
- CONNECTIONS ON ITEM NUMBER 1 & 2 TO BE LOCATED AND SOLDERED AT MINIMUM PRACTICAL HEIGHT ABOVE BLOCKS.
 - ALL CONNECTOR BLOCKS TO BE GROUNDED TO GROUND LUGS AS SHOWN, 4 PLACES
 - USE YELLOW WIRE (ITEM#4) FOR MACHINE WRAPPED AND BLUE WIRE (ITEM#5) FOR HAND WRAPPED WIRING.



REV.	CHANGE NO.	DATE
A	1	11/13/70

CHK: J. J. J. DATE: 11/13/70

DESIGNED BY: J. J. J. DATE: 11/13/70

DRAWN BY: J. J. J. DATE: 11/13/70

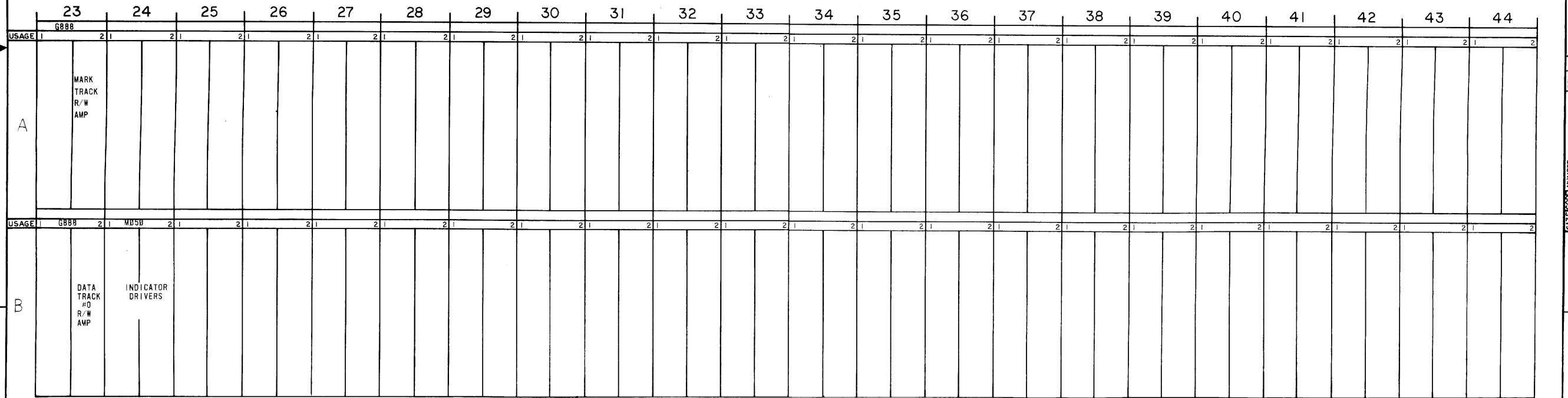
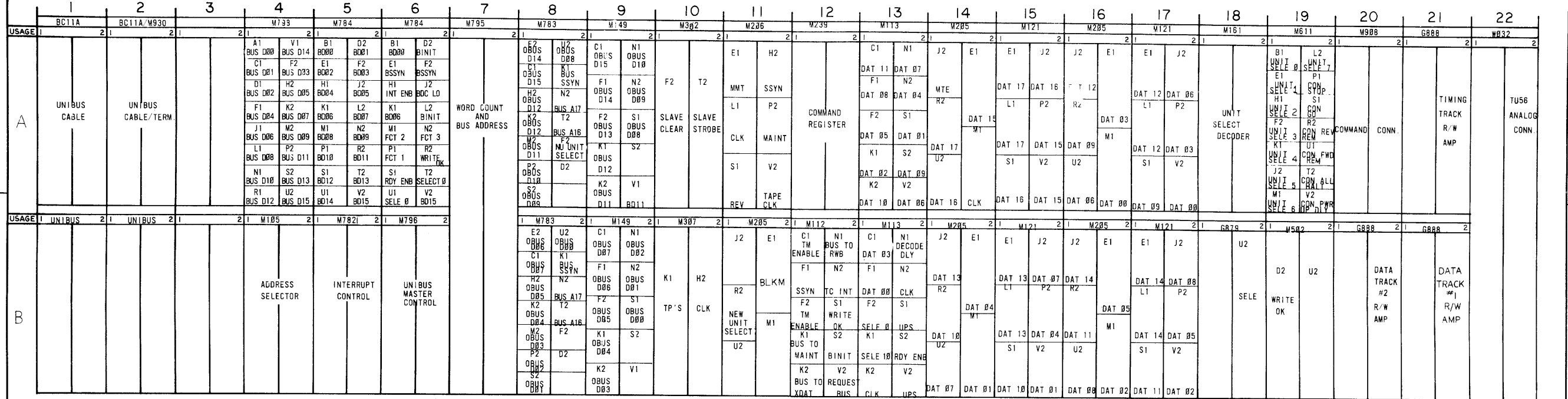
FIRST USED ON OPTION/MODEL	QTY.	DESCRIPTION	PART NO.	ITEM NO.
PDP-11				
PARTS LIST				
DO NOT SCALE DRAWING	DRN: J. J. J.	DATE: 11/13/70	digital EQUIPMENT CORPORATION MAYNARD, MASSACHUSETTS	
UNLESS OTHERWISE SPECIFIED DIMENSION IN INCHES	CHK'D: J. J. J.	DATE: 11/13/70		
TOLERANCES	ENG: J. J. J.	DATE: 11/13/70	TITLE	
DECIMALS FRACTIONS ANGLES	PROJ. ENG: J. J. J.	DATE: 11/13/70	WIRED ASS'Y	
± .005 ± 1/64 ± 0°30'	PROD: J. J. J.	DATE: 11/13/70	TC11	
FINAL SURFACE QUALITY: REMOVE BURRS AND BREAK SHARP CORNERS	MATERIAL	NEXT HIGHER ASSY	SIZE CODE	NUMBER
			D AD	70074-00
FINISH	SCALE NONE	SHEET	DIST.	REV. A

DIGITAL EQUIPMENT CORPORATION
MAYNARD, MASSACHUSETTS
PARTS LIST

DIGITAL EQUIPMENT CORPORATION MAYNARD, MASSACHUSETTS PARTS LIST			QUANTITY / VARIATION																
MADE BY KAREN KRYSIAK		CHECKED M. MACKENZIE		SECTION															
DATE 9-9-70		DATE 10-29-70		1															
ENG [Signature]		PROD <i>D. Call</i>		ISSUED SECT.															
DATE [Signature]		DATE 11/3/70		1															
ITEM NO.	DWG NO. / PART NO.	DESCRIPTION																	
1	1205541	BUS STRIP		A/R															
2	9107560-01	22 AWG BUS WIRE		A/R															
3	9107265-09	#22 TUBING, TEFLON, WHITE		A/R															
4	9105740-44	30 AWG SOLID TEF INS. WIRE, YELLOW		A/R															
5	9107470-66	24 AWG SOLID TEF INS. WIRE, BLUE		A/R															
6	A-DC-7406371-0-0	LOGIC FRAME DECALS		A/R															
7	D-AD-5404491-0-0	H911 MTG PANEL		2															
8	9107470-22	24 AWG SOLID TEF INS. WIRE, RED		A/R															
REF	K-WL-TC11-0-30	WIRE LIST		1															
TITLE		ASSY NO.	SIZE	CODE	NUMBER				REV.	ECO NO.									
WIRED ASSY		D-AD-7007048-0-3	A	PL	7007048-0-0				A	TC11-00002									
SHEET 1 OF 1			DIST.																

This drawing and specifications, herein, are the property of Digital Equipment Corporation and shall not be reproduced or copied or used in whole or in part as the basis for the manufacture or sale of items without written permission.

10-0-1101



REV	CHANGE NO.	BY	DATE
A	00002	JANSON	12-17-71
B	00003	JANSON	1-1-72
C	00004	JANSON	1-1-72
D	00005	JANSON	1-1-72
E	00006	JANSON	1-1-72
F	00007	JANSON	1-1-72
G	00008	JANSON	1-1-72
H	00009	JANSON	1-1-72
I	00010	JANSON	1-1-72
J	00011	JANSON	1-1-72
K	00012	JANSON	1-1-72
L	00013	JANSON	1-1-72
M	00014	JANSON	1-1-72
N	00015	JANSON	1-1-72
O	00016	JANSON	1-1-72
P	00017	JANSON	1-1-72
Q	00018	JANSON	1-1-72
R	00019	JANSON	1-1-72
S	00020	JANSON	1-1-72
T	00021	JANSON	1-1-72
U	00022	JANSON	1-1-72
V	00023	JANSON	1-1-72
W	00024	JANSON	1-1-72
X	00025	JANSON	1-1-72
Y	00026	JANSON	1-1-72
Z	00027	JANSON	1-1-72
AA	00028	JANSON	1-1-72
AB	00029	JANSON	1-1-72
AC	00030	JANSON	1-1-72
AD	00031	JANSON	1-1-72
AE	00032	JANSON	1-1-72
AF	00033	JANSON	1-1-72
AG	00034	JANSON	1-1-72
AH	00035	JANSON	1-1-72
AI	00036	JANSON	1-1-72
AJ	00037	JANSON	1-1-72
AK	00038	JANSON	1-1-72
AL	00039	JANSON	1-1-72
AM	00040	JANSON	1-1-72
AN	00041	JANSON	1-1-72
AO	00042	JANSON	1-1-72
AP	00043	JANSON	1-1-72
AQ	00044	JANSON	1-1-72
AR	00045	JANSON	1-1-72
AS	00046	JANSON	1-1-72
AT	00047	JANSON	1-1-72
AU	00048	JANSON	1-1-72
AV	00049	JANSON	1-1-72
AW	00050	JANSON	1-1-72
AX	00051	JANSON	1-1-72
AY	00052	JANSON	1-1-72
AZ	00053	JANSON	1-1-72
BA	00054	JANSON	1-1-72
BB	00055	JANSON	1-1-72
BC	00056	JANSON	1-1-72
BD	00057	JANSON	1-1-72
BE	00058	JANSON	1-1-72
BF	00059	JANSON	1-1-72
BG	00060	JANSON	1-1-72
BH	00061	JANSON	1-1-72
BI	00062	JANSON	1-1-72
BJ	00063	JANSON	1-1-72
BK	00064	JANSON	1-1-72
BL	00065	JANSON	1-1-72
BM	00066	JANSON	1-1-72
BN	00067	JANSON	1-1-72
BO	00068	JANSON	1-1-72
BP	00069	JANSON	1-1-72
BQ	00070	JANSON	1-1-72
BR	00071	JANSON	1-1-72
BS	00072	JANSON	1-1-72
BT	00073	JANSON	1-1-72
BU	00074	JANSON	1-1-72
BV	00075	JANSON	1-1-72
BW	00076	JANSON	1-1-72
BX	00077	JANSON	1-1-72
BY	00078	JANSON	1-1-72
BZ	00079	JANSON	1-1-72
CA	00080	JANSON	1-1-72
CB	00081	JANSON	1-1-72
CC	00082	JANSON	1-1-72
CD	00083	JANSON	1-1-72
CE	00084	JANSON	1-1-72
CF	00085	JANSON	1-1-72
CG	00086	JANSON	1-1-72
CH	00087	JANSON	1-1-72
CI	00088	JANSON	1-1-72
CJ	00089	JANSON	1-1-72
CK	00090	JANSON	1-1-72
CL	00091	JANSON	1-1-72
CM	00092	JANSON	1-1-72
CN	00093	JANSON	1-1-72
CO	00094	JANSON	1-1-72
CP	00095	JANSON	1-1-72
CQ	00096	JANSON	1-1-72
CR	00097	JANSON	1-1-72
CS	00098	JANSON	1-1-72
CT	00099	JANSON	1-1-72
CU	00100	JANSON	1-1-72
CV	00101	JANSON	1-1-72
CW	00102	JANSON	1-1-72
CX	00103	JANSON	1-1-72
CY	00104	JANSON	1-1-72
CA	00105	JANSON	1-1-72
CB	00106	JANSON	1-1-72
CC	00107	JANSON	1-1-72
CD	00108	JANSON	1-1-72
CE	00109	JANSON	1-1-72
CF	00110	JANSON	1-1-72
CG	00111	JANSON	1-1-72
CH	00112	JANSON	1-1-72
CI	00113	JANSON	1-1-72
CJ	00114	JANSON	1-1-72
CK	00115	JANSON	1-1-72
CL	00116	JANSON	1-1-72
CM	00117	JANSON	1-1-72
CN	00118	JANSON	1-1-72
CO	00119	JANSON	1-1-72
CP	00120	JANSON	1-1-72
CQ	00121	JANSON	1-1-72
CR	00122	JANSON	1-1-72
CS	00123	JANSON	1-1-72
CT	00124	JANSON	1-1-72
CU	00125	JANSON	1-1-72
CV	00126	JANSON	1-1-72
CW	00127	JANSON	1-1-72
CX	00128	JANSON	1-1-72
CY	00129	JANSON	1-1-72
CA	00130	JANSON	1-1-72
CB	00131	JANSON	1-1-72
CC	00132	JANSON	1-1-72
CD	00133	JANSON	1-1-72
CE	00134	JANSON	1-1-72
CF	00135	JANSON	1-1-72
CG	00136	JANSON	1-1-72
CH	00137	JANSON	1-1-72
CI	00138	JANSON	1-1-72
CJ	00139	JANSON	1-1-72
CK	00140	JANSON	1-1-72
CL	00141	JANSON	1-1-72
CM	00142	JANSON	1-1-72
CN	00143	JANSON	1-1-72
CO	00144	JANSON	1-1-72
CP	00145	JANSON	1-1-72
CQ	00146	JANSON	1-1-72
CR	00147	JANSON	1-1-72
CS	00148	JANSON	1-1-72
CT	00149	JANSON	1-1-72
CU	00150	JANSON	1-1-72
CV	00151	JANSON	1-1-72
CW	00152	JANSON	1-1-72
CX	00153	JANSON	1-1-72
CY	00154	JANSON	1-1-72
CA	00155	JANSON	1-1-72
CB	00156	JANSON	1-1-72
CC	00157	JANSON	1-1-72
CD	00158	JANSON	1-1-72
CE	00159	JANSON	1-1-72
CF	00160	JANSON	1-1-72
CG	00161	JANSON	1-1-72
CH	00162	JANSON	1-1-72
CI	00163	JANSON	1-1-72
CJ	00164	JANSON	1-1-72
CK	00165	JANSON	1-1-72
CL	00166	JANSON	1-1-72
CM	00167	JANSON	1-1-72
CN	00168	JANSON	1-1-72
CO	00169	JANSON	1-1-72
CP	00170	JANSON	1-1-72
CQ	00171	JANSON	1-1-72
CR	00172	JANSON	1-1-72
CS	00173	JANSON	1-1-72
CT	00174	JANSON	1-1-72
CU	00175	JANSON	1-1-72
CV	00176	JANSON	1-1-72
CW	00177	JANSON	1-1-72
CX	00178	JANSON	1-1-72
CY	00179	JANSON	1-1-72
CA	00180	JANSON	1-1-72
CB	00181	JANSON	1-1-72
CC	00182	JANSON	1-1-72
CD	00183	JANSON	1-1-72
CE	00184	JANSON	1-1-72
CF	00185	JANSON	1-1-72
CG	00186	JANSON	1-1-72
CH	00187	JANSON	1-1-72
CI	00188	JANSON	1-1-72
CJ	00189	JANSON	1-1-72
CK	00190	JANSON	1-1-72
CL	00191	JANSON	1-1-72
CM	00192	JANSON	1-1-72
CN	00193	JANSON	1-1-72
CO	00194	JANSON	1-1-72
CP	00195	JANSON	1-1-72
CQ	00196	JANSON	1-1-72
CR	00197	JANSON	1-1-72
CS	00198	JANSON	1-1-72
CT	00199	JANSON	1-1-72
CU	00200	JANSON	1-1-72

FIRST USED ON OPTION / MODEL
PDP-11

DO NOT SCALE DRAWING
UNLESS OTHERWISE SPECIFIED DIMENSION IN INCHES
TOLERANCES
DECIMALS FRACTIONS ANGLES
± .005 ± .002 ± 0°30'
FINAL SURFACE QUALITY
REMOVE BURRS AND BREAK SHARP CORNERS

DRN: K. MITCHELL
CHK'D: [Signature]
ENG: [Signature]
PROJ. ENG: [Signature]
PROD: [Signature]
NEXT HIGHER ASSY
A - ML-T11-0

DATE: 12-15-71
DATE: 12-15-71
DATE: 12-15-71
DATE: 12-15-71
DATE: 12-15-71

digital EQUIPMENT CORPORATION
MAINTENANCE MASSACHUSETTS

TITLE
MODULE UTILIZATION

SIZE CODE NUMBER REV
DMU TC11-0-01 C

SCALE SHEET 1 OF 2
DIST.

SIZE CODE NUMBER REV
DMU TC11-0-01 E

This drawing and specifications, herein, are the property of Digital Equipment Corporation and shall not be reproduced or copied or used in whole or in part as the basis for the manufacture or sale of items without written permission.

8		7		6		5		4		3		2		1					
1		2		3		4		5		6		7		8					
M307		6736		M111		M113		M115		M627		M611		M161					
USAGE 1		2		2		2		2		2		2		2					
D	KI		H2		CLEAR XDAT		READY		BUS TO		DAT		BUS TO		BUS TO				
	DELAYED TPI		PRIORITY PLUG		TCST TO BUS		TC INT		BUS TO		DAT		BUS TO		BUS TO				
					F1		N2		J1		M2		J1		M2				
C					F2		S1		N1		S2		N1		S2				
					K1		S1		U1		V1		U1		V1				
					M1		V2		M1		V2		M1		V2				
USAGE 1		2		2		2		2		2		2		2		2			
M141		M307		M113		M203		M113		M602		M302		M307		M111			
D	A1		H2		C1		N1		F2		R2		C1		N1				
	NEW UNIT SELECT		UNIT 1		F1		N2		ENDZ		DATM		TP'S		STP				
	B1		F2		ILO		DATM		F2		S1		TP'S		STOP				
C	K1		T2		ILO		RWDAT		C1		V1		TP'S		STOP				
	NEW UNIT SELECT		B0B0		K1		S2		MISS		WCO		TP1		CONTROL				
	NEW UNIT SELECT		UNIT 1		K2		V2		RESET		ENB		K2		V2				
USAGE 1		2		2		2		2		2		2		2		2			
M117		M084																	
D	E1		J2																
	UPS		WREN																
	L1		P2																
C	WREN		S1																
	L1		P2																
	WREN		S1																
USAGE 1		2		2		2		2		2		2		2		2		2	
M086																			
D	D2		L2																
	SYNC FOR		M1SS																
	F2		N2																
C	READY		SET REG																
	J2		R2																
	LPB TP		TC INT																

REV. 11-0-01
 SIZE CODE NUMBER 5 MJU
 TCII-0-01

REV.	
CHG.	
NO.	

FIRST USED ON OPTION/MODEL
 PDP-11

DO NOT SCALE DRAWING
 UNLESS OTHERWISE SPECIFIED
 DIMENSION IN INCHES
 TOLERANCES
 DECIMALS FRACTIONS ANGLES
 .005 = 1/64 = 0°30'
 FINAL SURFACE QUALITY
 REMOVE BURRS AND BREAK SHARP CORNERS

DRN.	DATE
CHK'D.	DATE
ENG.	DATE
PROJ. ENG.	DATE
PROD.	DATE

digital EQUIPMENT CORPORATION
 MAYNARD, MASSACHUSETTS

TITLE
 MODULE UTILIZATION

SIZE CODE	NUMBER	REV.
DMU	TCII-0-01	E

DIGITAL EQUIPMENT CORPORATION
MAYNARD, MASSACHUSETTS

PARTS LIST

MADE BY KAREN KRYSIAK
 DATE 9-17-70
 ENG *R.P. Gordon*
 DATE 11/3/70

CHECKED M. MACKENZIE
 DATE 10-19-70
 PROD *D. Call*
 DATE 11/3/70

SECTION 1
 ISSUED SECT. 1

ITEM NO.	DWG NO. / PART NO.	DESCRIPTION	QUANTITY / VARIATION
	G736	JUMPER MODULE	1
	G879	TRANSPORT DETECTOR	1
	G888	MANCHESTER READER/WRIITER	5
	M050	50MA INDICATOR DRIVER	1
	M105	ADDRESS SELECTOR MODULE (REV "C"BEYOND)	1
	M111	INVERTER	3
	M112	NOR GATE	3
	M113	TEN 2-INPUT NAND GATES	8
	M115	EIGHT 3-INPUT NAND GATES	5
	M117	SIX 4-INPUT NAND GATES	3
	M119	THREE 8-INPUT NAND GATES	1
	M121	AND/NOR GATE	5
	M127	2-2-2-3 AND/NOR GATE	1
	M149	9 x 2 NAND WIRED OR MATRIX	2
	M161	BINARY TO OCTAL/DECIMAL DECODER	2
	M202	J-K FLIP-FLOP	1
	M203	8 R/S FLIP-FLOP	1
	M205	5 "D" FLIP-FLOP	6
	M206	GENERAL PURPOSE FLIP-FLOP	2
	M207	GENERAL PURPOSE FLIP-FLOP	1
	M228	MARK TRACK DECODER	1
	M239	THREE 4-BIT COUNTER/REGISTER	1

TITLE MODULE UTILIZATION

ASSY NO. D-MU-TC11-0-01
 SIZE CODE A PL
 NUMBER TC11-0-01
 REV. ECO NO. E 00011

SHEET 1 OF 2

DIGITAL EQUIPMENT CORPORATION
MAYNARD, MASSACHUSETTS

PARTS LIST

MADE BY KAREN KRYSIAK
 DATE 9-17-70
 ENG *R.P. Gordon*
 DATE 11/3/70

CHECKED M. MACKENZIE
 DATE 10-19-70
 PROD *D. Call*
 DATE 11/3/70

SECTION 1
 ISSUED SECT. 1

ITEM NO.	DWG NO. / PART NO.	DESCRIPTION	QUANTITY / VARIATION
	M302	DUAL DELAY MULTIVIBRATOR	2
	M307	INTERGRATING ONE SHOT	4
	M502	NEGATIVE INPUT CONVERTER	1
	M602	PULSE AMPLIFIER	1
	M606	PULSE GENERATOR	1
	M611	HIGH - SPEED POWER INVERTER	2
	M627	NAND POWER AMPLIFIER	1
	M796	UNIBUS MASTER CONTROL	1
	M798	UNIBUS DRIVER	1
	M7821	INTERRUPT CONTROL MODULE	1
	M783	UNIBUS TRANSMITTER MODULE	2
	M784	UNIBUS RECEIVER MODULE	2
	M795	WC & BA MODULE	1
	M141	AND/NOR GATES	1
	5408780	PRIORITY JUMPER LEVEL # 6	1

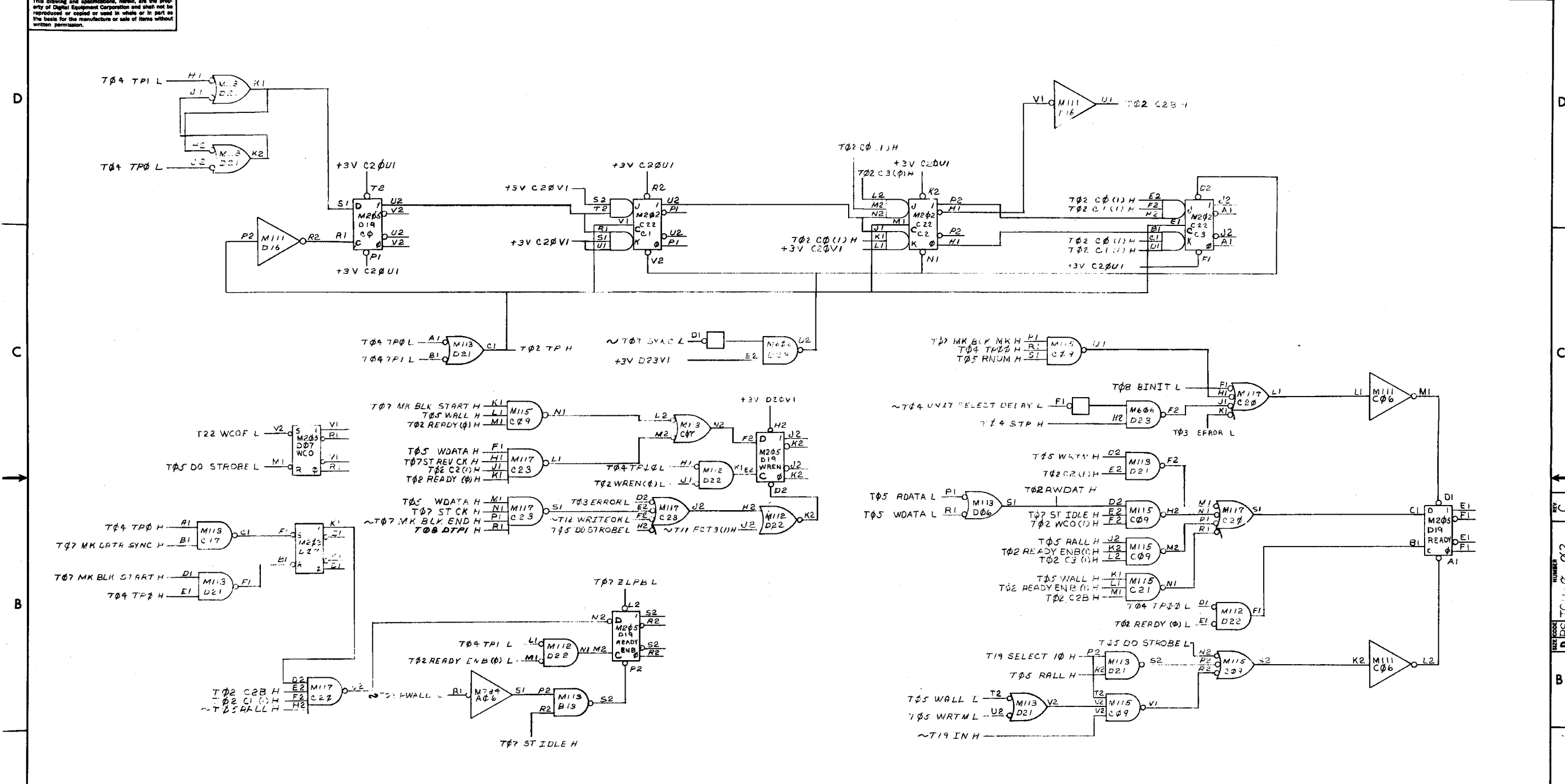
TITLE MODULE UTILIZATION

ASSY NO. D-MU-TC11-0-01
 SIZE CODE A PL
 NUMBER TC11-0-01
 REV. ECO NO. E

SHEET 2 OF 2

This drawing and specifications, herein, are the property of Digital Equipment Corporation and shall not be reproduced or copied or used in whole or in part as the basis for the manufacture or sale of items without written permission.

20-7-1-1 2



REV.	NO.	DATE	BY	CHKD.
A	00002	11/1/71	JANSON	
B	00003	11/1/71	JANSON	
C	00006	11/1/71	JANSON	
D	00007	11/1/71	JANSON	
E	00008	11/1/71	JANSON	

REV.	NO.	DATE	BY	CHKD.
A	002	11/1/71	JANSON	

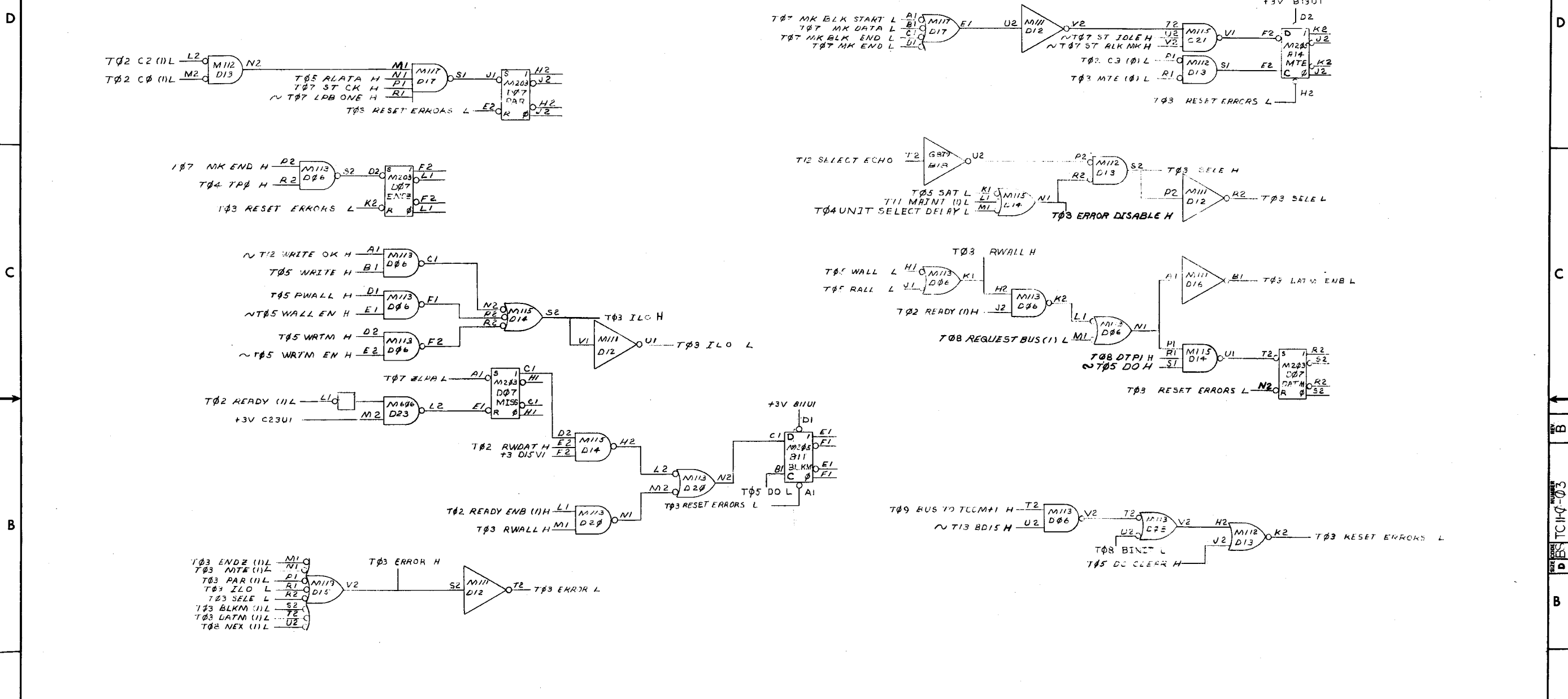
FIRST USED ON OPTION/MODEL	QTY.	DESCRIPTION	PART NO.	ITEM NO.
PDP-11				

UNLESS OTHERWISE SPECIFIED	DATE	TITLE
DRN	11/1/71	DECTAPE CONTROL CONTROL
CHKD.	11/1/71	
ENG.	11/1/71	
PROJ. ENG.	11/1/71	
PROD.	11/1/71	

MATERIAL	NEXT HIGHEN	SCALE	SHEET	OF
			1	1

SIZE CODE	NUMBER	REV
D	TC11-0-02	C

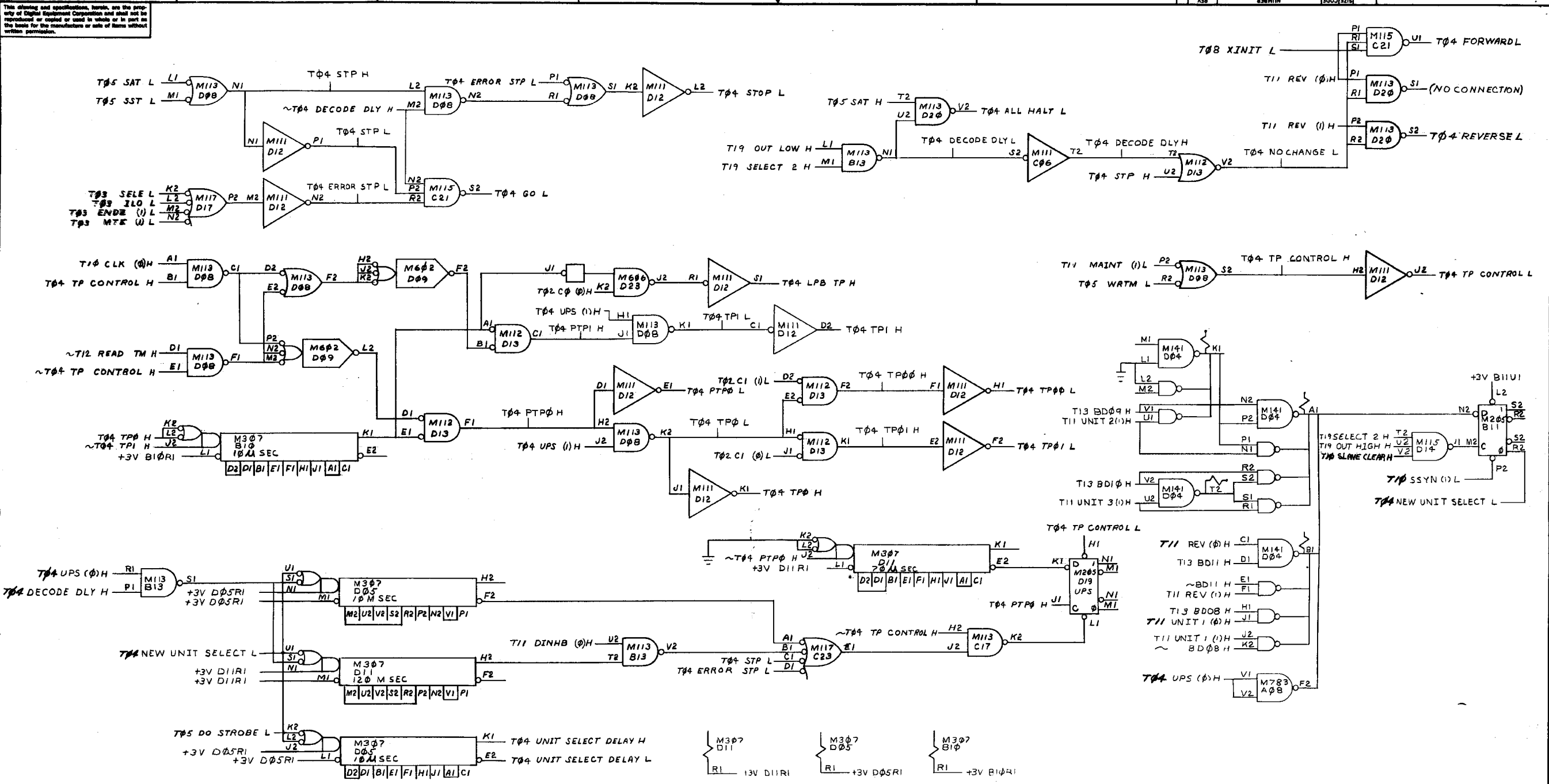
This drawing and specifications, herein, are the property of Digital Equipment Corporation and shall not be reproduced or copied or used in whole or in part as the basis for the manufacture or sale of items without written permission.



REV.	CHANGE NO.	DATE	BY	CHK
A	0002	11-2-71	JANSON	W. J. Janson
B	0003	11-12-71	JANSON	W. J. Janson
C	0004	11-26-71	JANSON	W. J. Janson

FIRST USED ON	QTY.	DESCRIPTION	PART NO.	ITEM NO.
PDP-11				
PARTS LIST				
UNLESS OTHERWISE SPECIFIED				
DIMENSION IN INCHES				
TOLERANCES				
DECIMALS FRACTIONS ANGLES				
± .005 ± 1/64 ± 0°30'				
FINAL SURFACE QUALITY				
REMOVE BURRS AND BREAK SHARP CORNERS				
MATERIAL				
NEXT HIGHER ASSY				
FINISH				
SCALE				
SHEET 1 OF 1				
TITLE				
LECTURE CONTROL ERRORS				
DATE 11/13/70				
DRAWN BY [Signature]				
CHECKED BY [Signature]				
ENGR BY [Signature]				
PROJ. ENG. BY [Signature]				
PROD. BY [Signature]				
SIZE CODE				
NUMBER				
REV. B				
DIST.				

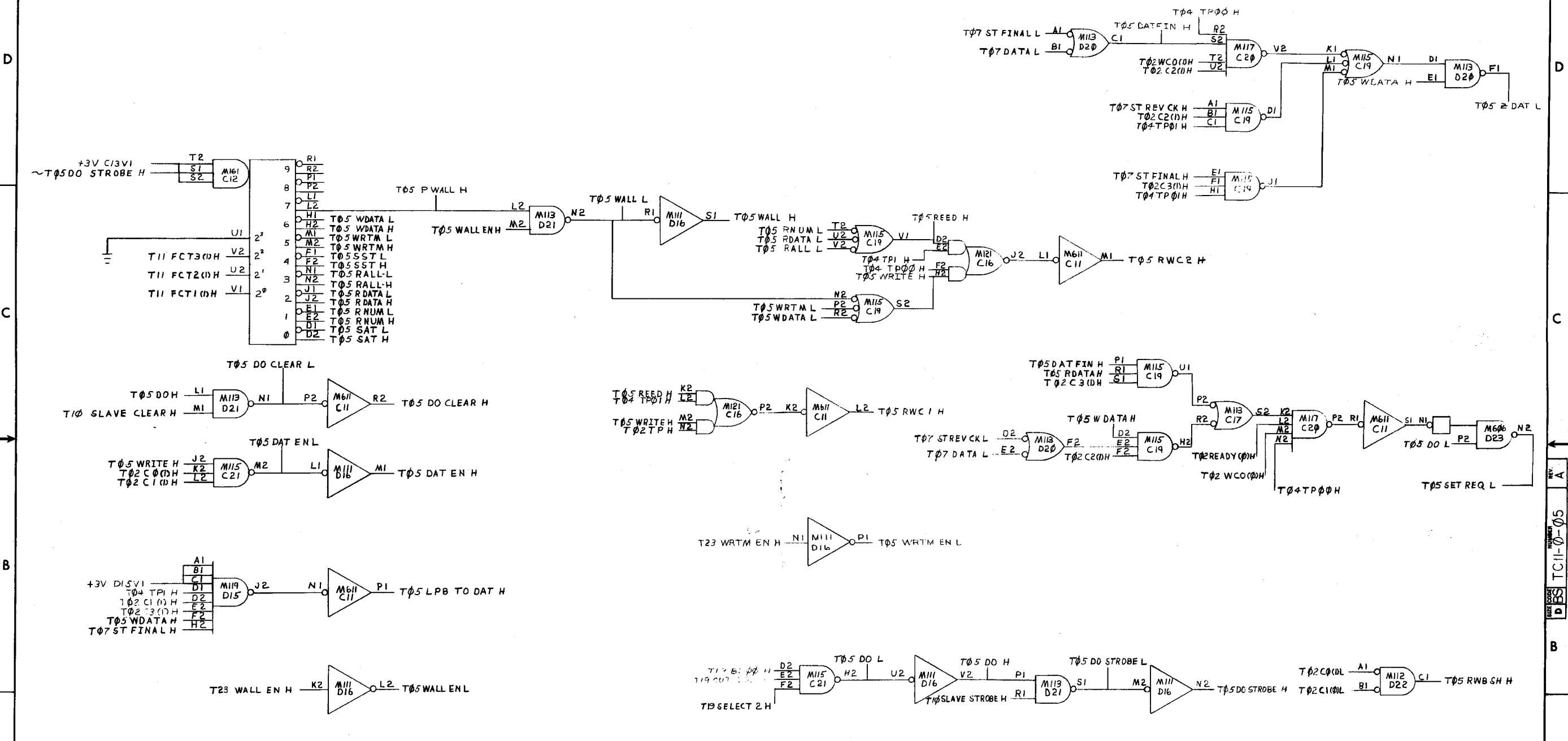
TC11-0-04 SB 2



REV.	NO.	DATE	BY	CHKD.
A	00008	12-1-71	R. J. JANSON	P. J. JANSON

FIRST USED ON OPTION	MODEL	QTY.	DESCRIPTION	PART NO.	ITEM NO.
PDP-11					
PARTS LIST					
UNLESS OTHERWISE SPECIFIED	DRN	DATE	digital EQUIPMENT CORPORATION		
		9-11-70	MAYNARD, MASSACHUSETTS		
UNLESS OTHERWISE SPECIFIED	DATE	TITLE			
DIMENSION IN INCHES	11/8/70	DEC TAPE CONT			
TOLERANCES		TP, UPS, MOTION CONT			
DECIMALS ± .005		SIZE CODE DBS TC11-0-04			
FRACTIONS ± 1/64		NUMBER 1			
ANGLES ± 0°30'		REV. A			
FINAL SURFACE QUALITY		SCALE			
REMOVE BURRS AND BREAK SHARP CORNERS		SHEET 1 OF 1			
MATERIAL	NEXT HIGHER ASSY	DIST.			
FINISH	A-ML-TC11-0				

This drawing and specifications, herein, are the property of Digital Equipment Corporation and shall not be reproduced or copied or used in whole or in part as the basis for the manufacture or sale of items without written permission.



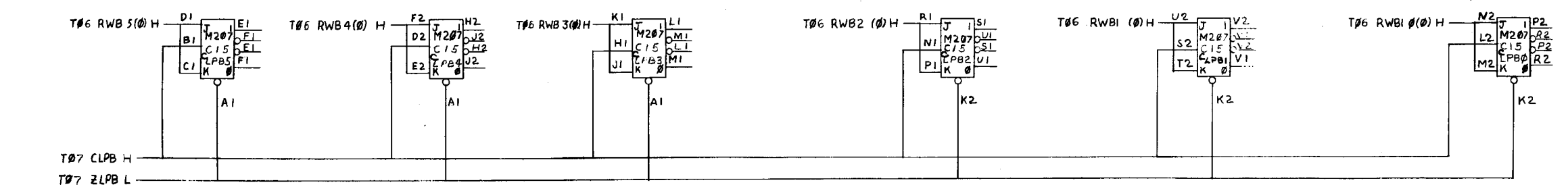
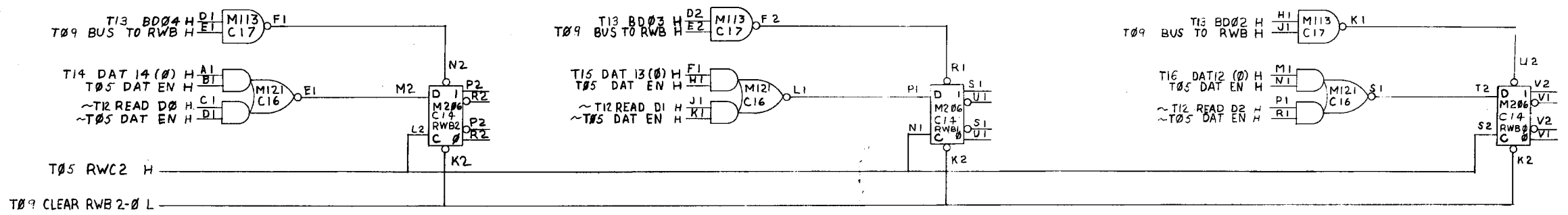
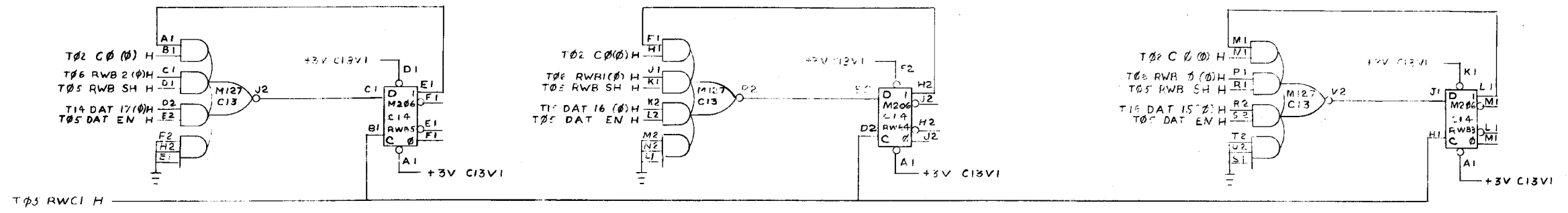
REV.	DATE	BY	CHK
1	11/13/70	JANSON	
2	11/13/70	JANSON	

FIRST USED ON OF TYPIC/MODEL	QTY.	DESCRIPTION	PART NO.	ITEM NO.
PDP-II				
UNLESS OTHERWISE SPECIFIED				
DIMENSION IN INCHES				
TOLERANCES				
DECIMALS FRACTIONS ANGLES				
± .005 ± .004 ± .002				
FINAL SURFACE QUALITY				
REMOVE BURRS AND BREAK SHARP CORNERS				
MATERIAL				
NEXT HIGHER ASSY				
FINISH				
SCALE				
SHEET 1 OF 1				

DATE CHECKED	NUMBER	TITLE	SIZE CODE	NUMBER	REV
DBS	TC11-0-05	DEC TAPE CONTROL	D	BS	A

This drawing and specifications, herein, are the property of Digital Equipment Corporation and shall not be reproduced or copied in whole or in part as the basis for the manufacture or sale of items without written permission.

90-01101 S3 2

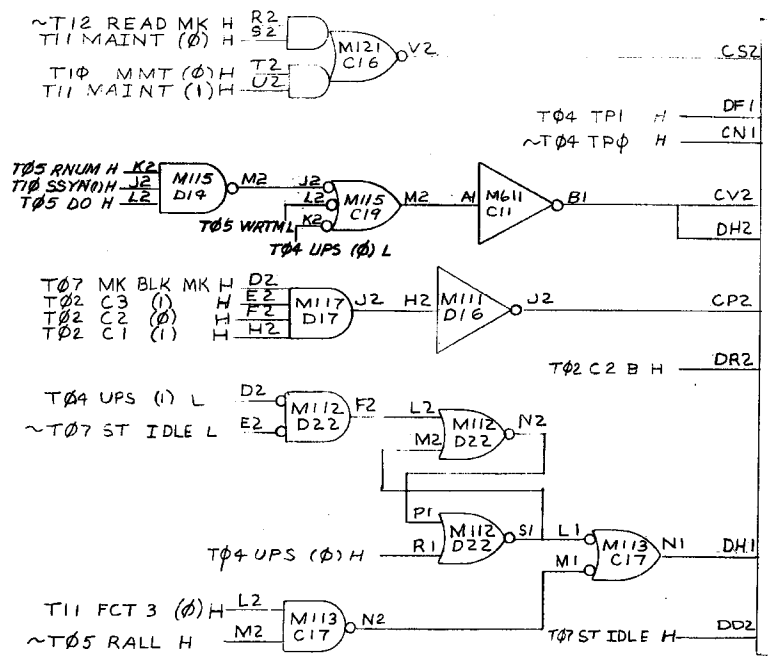


REV.	A
CHANGE NO.	0002
CHK	JANSON
DATE	2-2-77

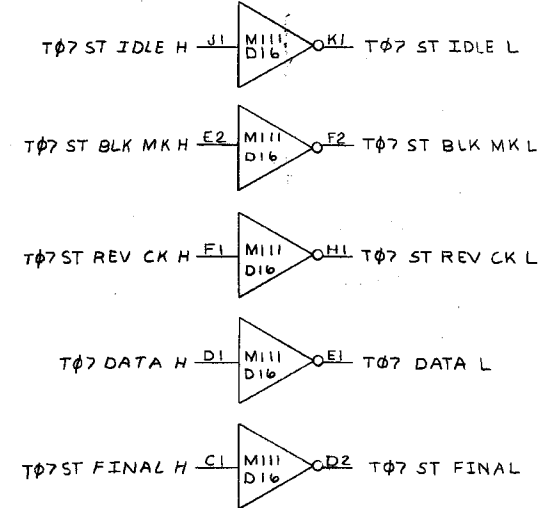
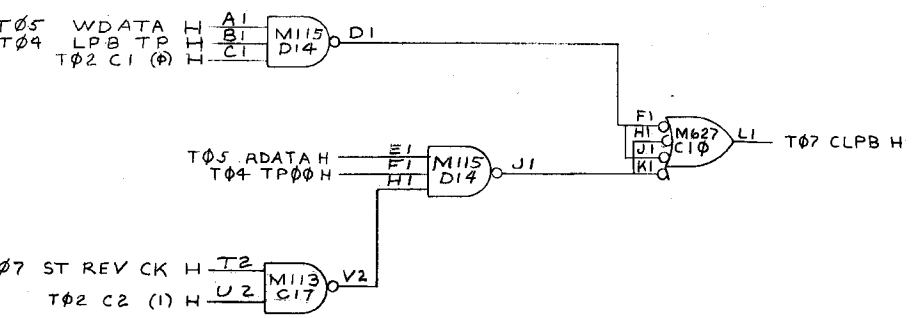
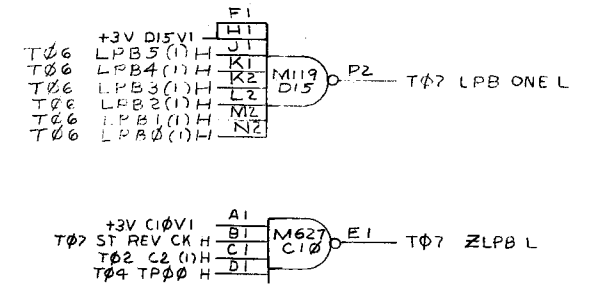
FIRST USED ON OPTION/CELL	PDF - 11	QTY.		DESCRIPTION	PART NO.	ITEM NO.
UNLESS OTHERWISE SPECIFIED	DRN	DATE	9-8-70	PARTS LIST		
UNLESS OTHERWISE SPECIFIED	CHND	DATE	1/17/70	digital EQUIPMENT CORPORATION MAYNARD, MASSACHUSETTS		
DIMENSION IN INCHES	ENG	DATE	1/17/70	TITLE		
DECIMALS FRACTIONS ANGLES	PROJ. ENG.	DATE		RWB AND LPB		
= .005 = 1/64 = 0°30'	PROD.	DATE	1/17/70	SIZE/CODE		
FINAL SURFACE QUALITY	NEXT HIGHER ASSY			NUMBER		
REMOVE BURRS AND BREAK SHARP CORNERS	A-ML-IC 11-0			REV.		
	SCALE			A		
	SHEET	OF		DIST.		

DEC FORM NO. DRG 102A

This drawing and specifications herein, are the property of Digital Equipment Corporation and shall not be reproduced or copied or used in whole or in part as the basis for the manufacture or sale of items without written permission.



- M228
CD18
MARK TRACK
DECODER
- CN2 T07 ST IDLE H
 - CR2 T07 ST BLK MK H
 - DS1 T07 ST REV CK H
 - DK2 T07 DATA H
 - DL2 T07 ST FINAL H
 - DR1 T07 ST CK H
 - DN2 T07 SYNC H
 - DM2 T07 SYNC L
 - CE2 T07 MK BLK MK H
 - CD2 T07 MK BLK MK L
 - CH1 T07 MK DATA SYNC H
 - CJ1 T07 MK DATA SYNC L
 - CJ2 T07 MK BLK START H
 - CF1 T07 MK BLK START L
 - DP2 T07 MK DATA H
 - CU2 T07 MK DATA L
 - DV1 T07 MK BLK END H
 - DV2 T07 MK BLK END L
 - CF2 T07 MK END H
 - CH2 T07 MK END L
 - DS2 T07 MK BLK SYNC H
 - DT2 T07 MK BLK SYNC L
 - CM1 T07 SH ST H
 - DC1



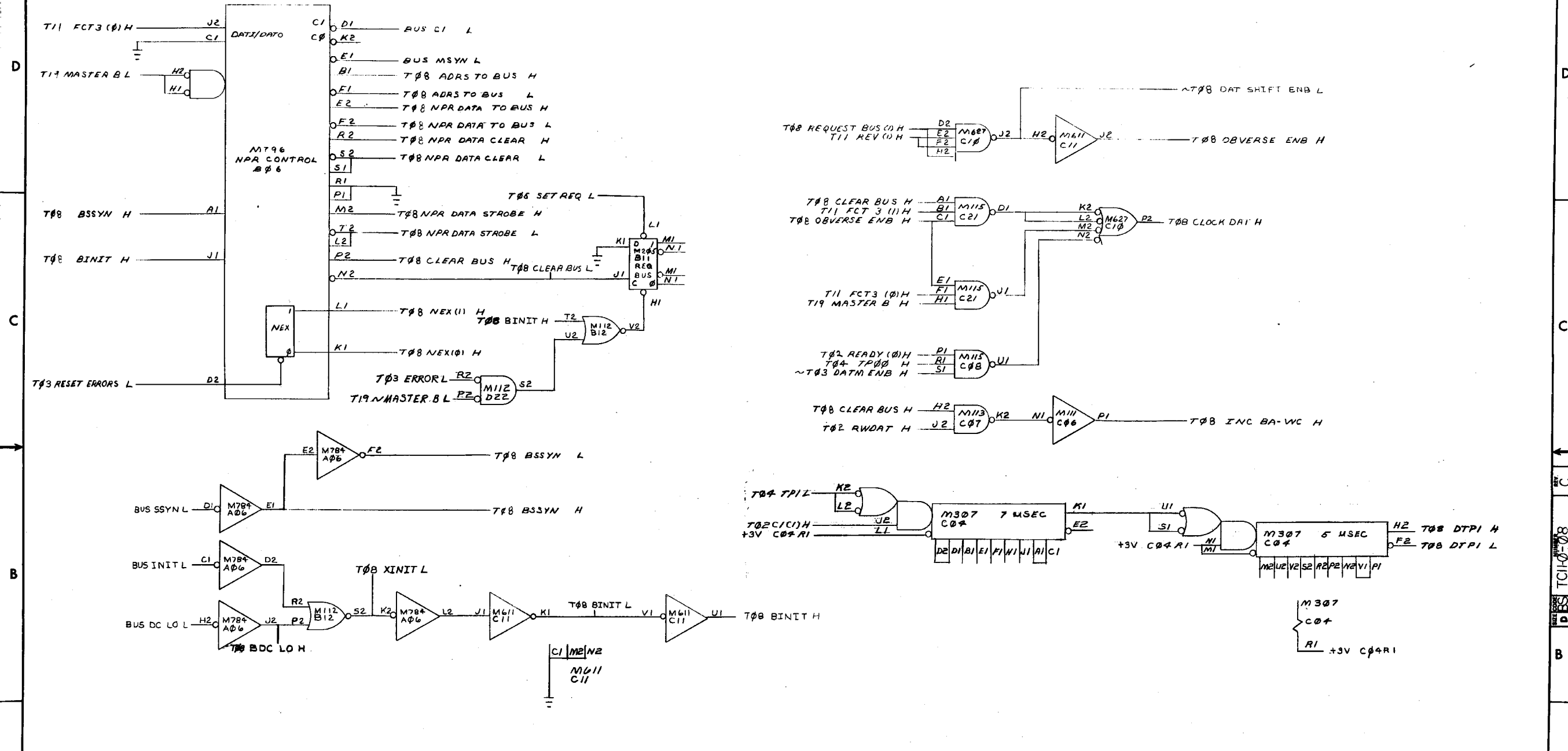
M119
D15
VI +3VDI5VI

M627
C10
VI +3VC10VI

REV.	CHANGE NO.	DATE
A	100011	11/27/72
JANSON		

FIRST USED ON OPTION MODEL PDP 11	QTY.	DESCRIPTION	PART NO.	ITEM NO.
PARTS LIST				
UNLESS OTHERWISE SPECIFIED				
DRN. E. Wilson	DATE 8/10/71	digital EQUIPMENT CORPORATION MAYHARD, MASSACHUSETTS		
CHKD. S. Vachon	DATE 11/3/72	TITLE		
ENG. R. J. Gordon	DATE 11/23/72	MARK TRACK DECODER		
PROJ. ENG. R. J. Gordon	DATE 11/23/72	SIZE CODE	NUMBER	REV
PROD. K. Wall	DATE 11/3/72	DBS	TC11-0-07	A
NEXT HIGHEST ACCESSIBLY A-ML-TC11-0		SCALE	SHEET 1 OF 1	

This drawing and specifications, herein, are the property of Digital Equipment Corporation and shall not be reproduced or copied or used in whole or in part as the basis for the manufacture or sale of items without written permission.



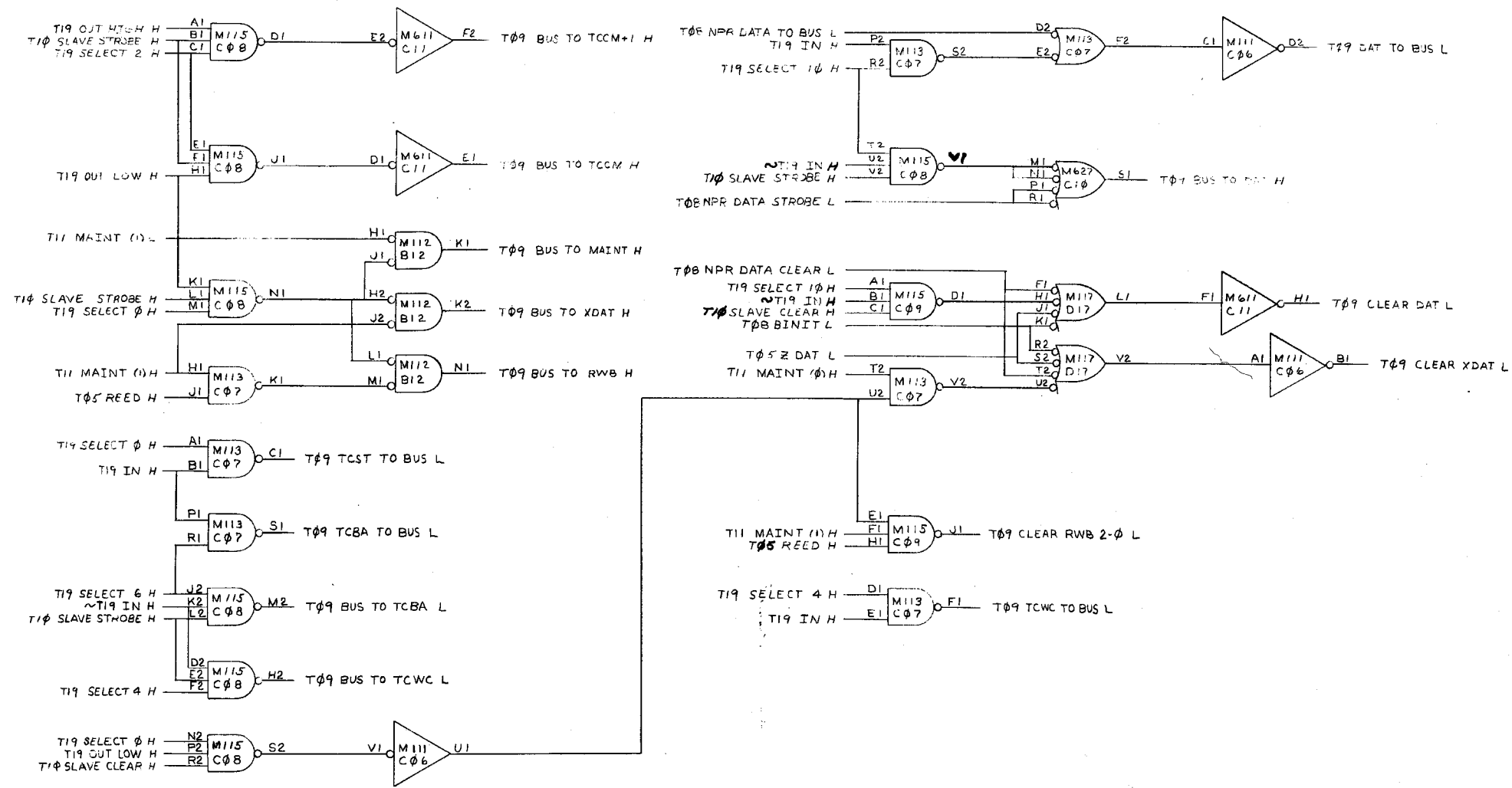
REV.	CHANGE NO.	DATE	BY
A	00003	12-1-71	JANSON
B	00006	2-26-71	JANSON
C	00008	12-1-71	JANSON
D	00010	12-1-71	JANSON

FIRST USED ON OPTION/ MODEL	QTY.	DESCRIPTION	PART NO.	ITEM NO.
PDR11				
PARTS LIST				
UNLESS OTHERWISE SPECIFIED				
MATERIAL				
FINISH				
DATE 7-3-70				
DRAWN BY [Signature]				
CHECKED BY [Signature]				
DATE 11/1/70				
ENGR BY [Signature]				
DATE 11/3/70				
PROJ. ENG. BY [Signature]				
DATE 11/3/70				
PROD. BY [Signature]				
DATE 11/3/70				
TITLE				
NPR CONTROL				
SIZE CODE				
D B S TC110-08				
NUMBER				
REV. C				

REV. C
REV. B
REV. A

This drawing and specifications, herein, are the property of Digital Equipment Corporation and shall not be reproduced or copied or used in whole or in part as the basis for the manufacture or sale of items without written permission.

62-01101 S8 2



REV	
CHANGE NO.	
CHK	

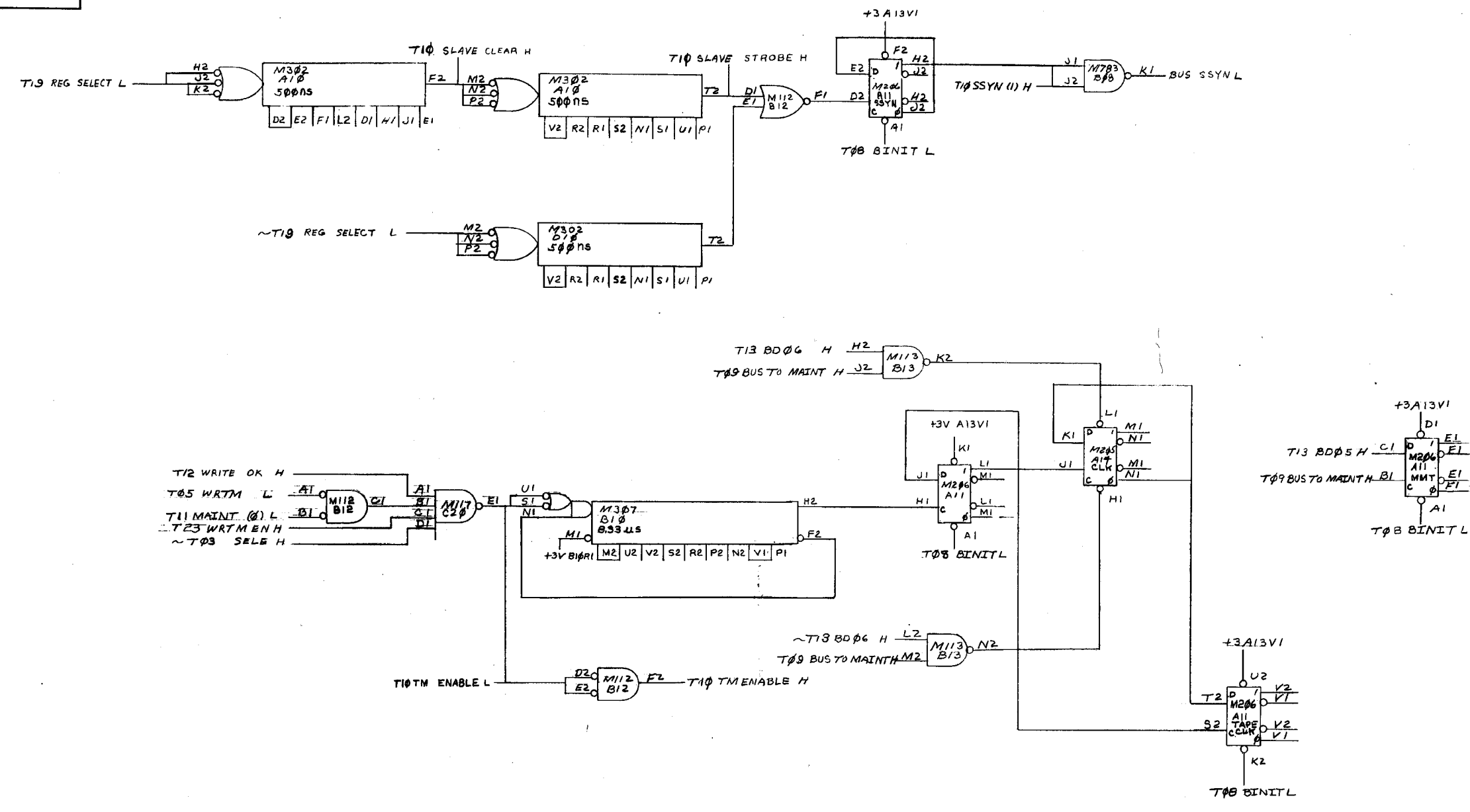
FIRST USED ON OPTION/MODEL PDP-11	QTY.	DESCRIPTION	PART NO.	ITEM NO.
PARTS LIST				
UNLESS OTHERWISE SPECIFIED	DRN.	DATE	digital EQUIPMENT CORPORATION MAYNARD, MASSACHUSETTS	
UNLESS OTHERWISE SPECIFIED	CHFD.	DATE	TITLE	
TOLERANCES	ENG.	DATE	REGISTER CONTROL	
DECIMALS FRACTIONS ANGLES	PROJ. ENG.	DATE	SIZE CODE NUMBER	
± .005 ± .002 ± .001	PROD.	DATE	D BS TC11-0-09	
FINAL SURFACE QUALITY			REV.	
REMOVE BURRS AND BREAK SHARP CORNERS			DST.	
MATERIAL	NEXT HIGHER ASSY			
FINISH	A-ML-TC11-0			
SCALE	SHEET	OF		

REV. NO. TC11-0-09

DEC FORM NO. DRD 102A

This drawing and specifications, herein, are the property of Digital Equipment Corporation and shall not be reproduced, or copied or used in whole or in part as the basis for the manufacture or sale of items without written permission.

REV. 2
 NUMBER DBS TC11-0-10



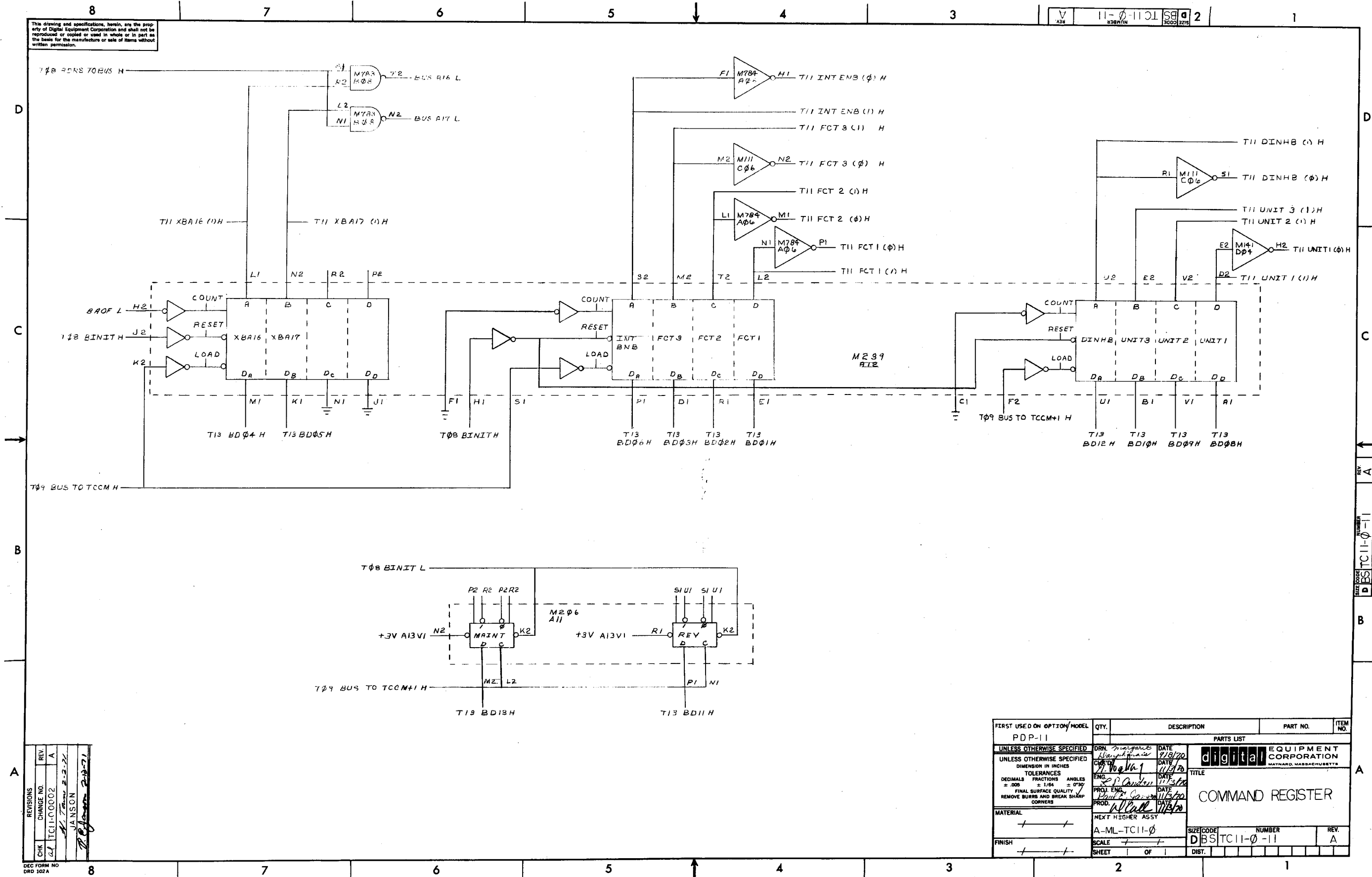
REV.	CHG. NO.	DATE	BY
A	00006	11/17/70	W. Wilson
B	00011	11/17/70	R. P. ...
C	00011	11/17/70	R. P. ...
D	00011	11/17/70	R. P. ...

FIRST USED ON OPTION/MODEL	QTY.	DESCRIPTION	PART NO.	ITEM NO.
PDP11				
UNLESS OTHERWISE SPECIFIED				
DIMENSION IN INCHES				
TOLERANCES				
DECIMALS	FRACTIONS	ANGLES		
± .005	± 1/64	± 0°30'		
FINAL SURFACE QUALITY				
REMOVE BURRS AND BREAK SHARP CORNERS				
MATERIAL	NEXT HIGHER ASSY			
FINISH	SCALE 1 OF 1			
SHEET 1 OF 1		DISTRIBUTION		

REV. B
 NUMBER DBS TC11-0-10

This drawing and specifications, herein, are the property of Digital Equipment Corporation and shall not be reproduced or copied or used in whole or in part as the basis for the manufacture or sale of items without written permission.

V 11-0-1101 S2 2

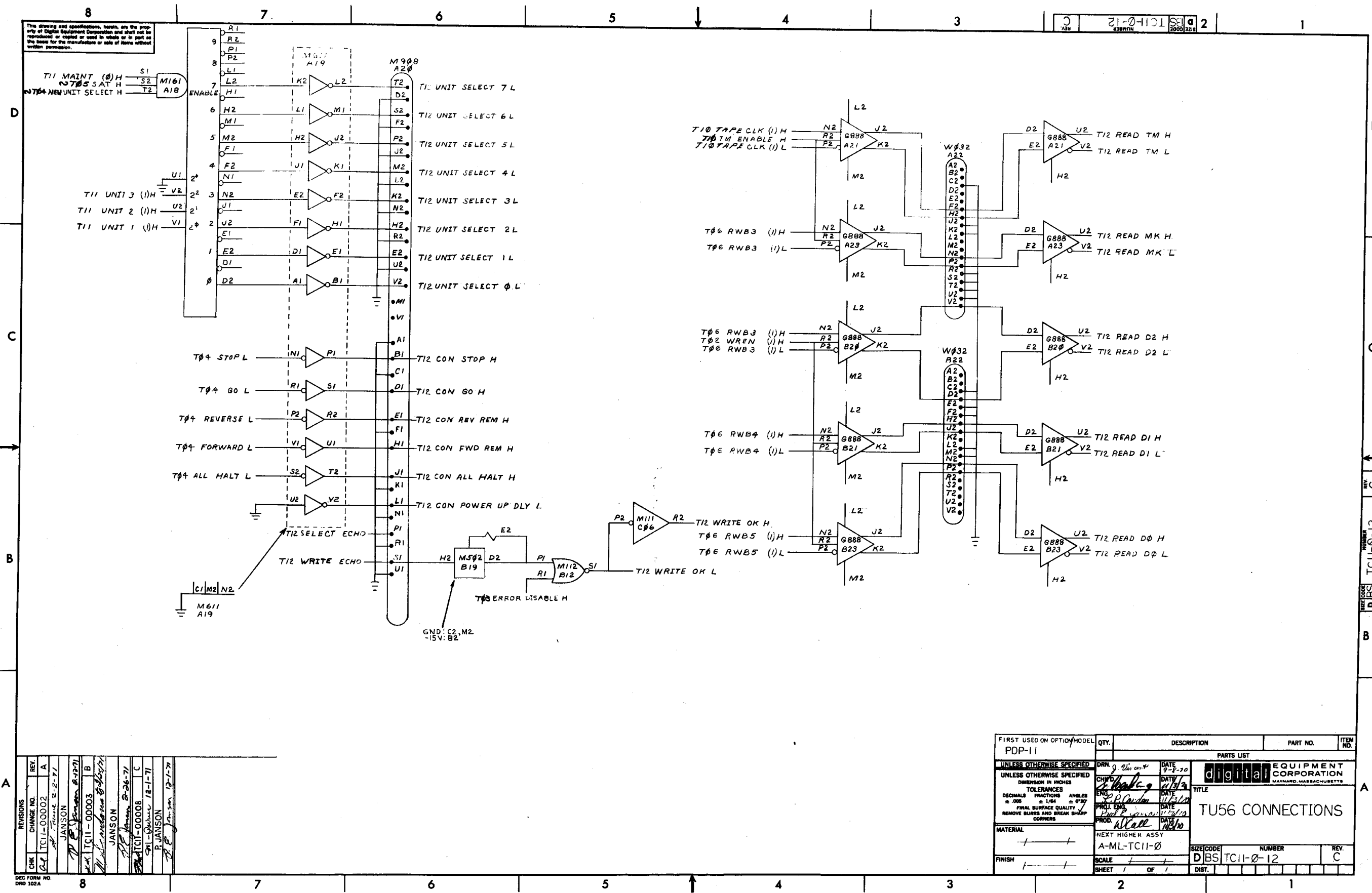


REV.	A
CHANGE NO.	1
CHK	1
REVISIONS	
M. T. J. 2-3-71	
JANSON	
2-10-71	

FIRST USED ON OPTION/MODEL PDP-11	QTY.	DESCRIPTION	PART NO.	ITEM NO.
PARTS LIST				
UNLESS OTHERWISE SPECIFIED	DRN. <i>Margaret</i>	DATE <i>11/9/70</i>	digital CORPORATION MAYNARD, MASSACHUSETTS	
UNLESS OTHERWISE SPECIFIED	CLERK <i>W. G. M. 1</i>	DATE <i>11/9/70</i>	TITLE COMMAND REGISTER	
TOLERANCES	ENG. <i>P. Gaudin</i>	DATE <i>11/3/70</i>	SIZE CODE A-ML-TC11-0	
DECIMALS = .005	PROJ. ENG. <i>Paul J. Gaudin</i>	DATE <i>11/3/70</i>	NUMBER DBS/TC11-0-11	
FRACTIONS = 1/64	PROD. <i>W. Call</i>	DATE <i>11/3/70</i>	REV. A	
ANGLES = 0°30'			SCALE SHEET OF 1	
FINAL SURFACE QUALITY REMOVE BURRS AND BREAK SHARP CORNERS			DIST.	
MATERIAL + + +	NEXT HIGHER ASSY			
FINISH + + +				

This drawing and specifications, herein, are the property of Digital Equipment Corporation and shall not be reproduced or copied or used in whole or in part as the basis for the manufacture or sale of items without written permission.

21-0-1101 2



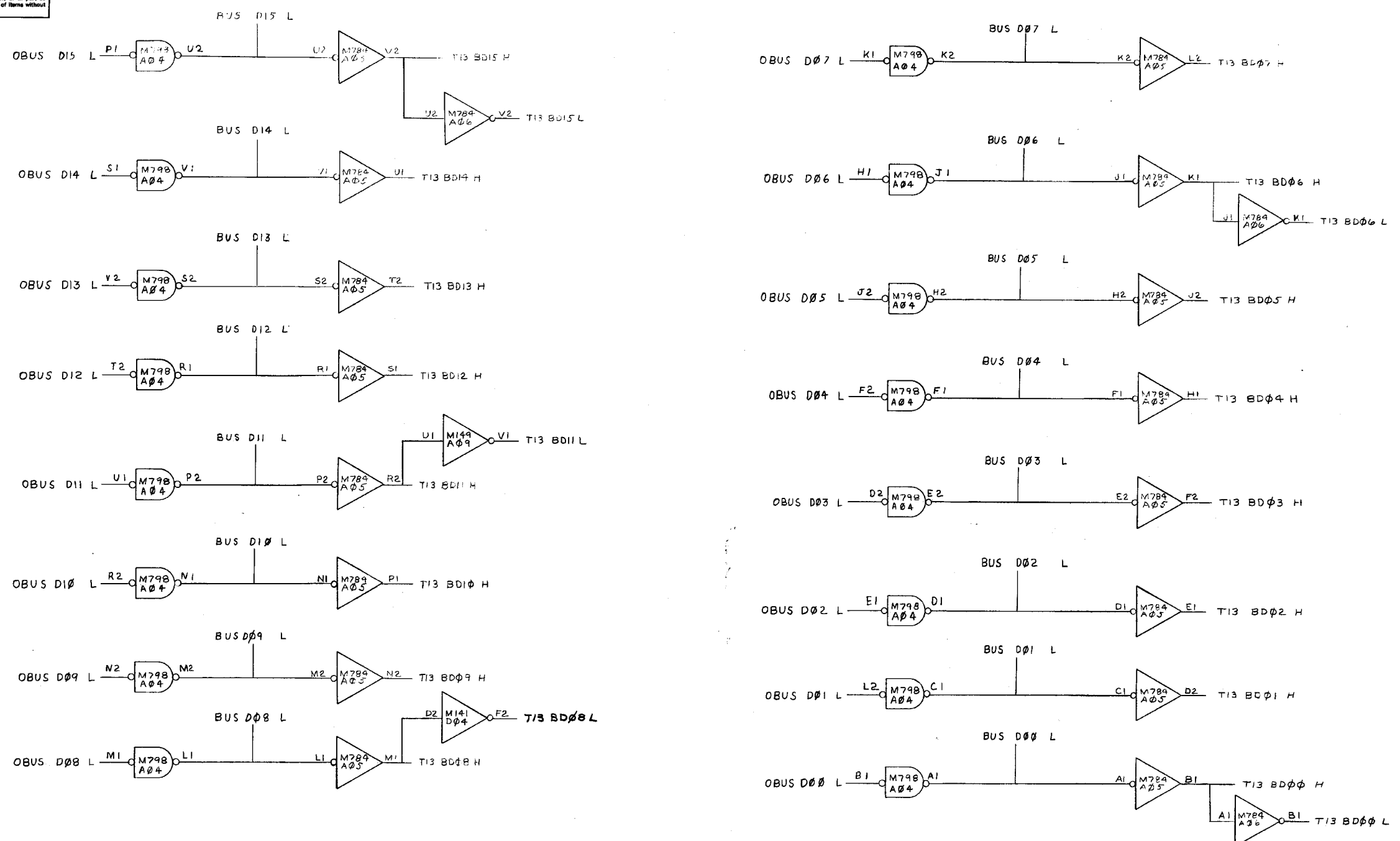
REV.	DATE	BY	CHK
A	2-2-71	JANSON	
B	2-26-71	JANSON	
C	12-1-71	JANSON	
	12-1-71	JANSON	

FIRST USED ON OPTION/MODEL	QTY.	DESCRIPTION	PART NO.	ITEM NO.
PDP-11				
PARTS LIST				
digital EQUIPMENT CORPORATION MAYNARD, MASSACHUSETTS				
TITLE TU56 CONNECTIONS				
MATERIAL		NEXT HIGHER ASSY		
FINISH		A-ML-TC11-0		
SCALE		SIZE CODE		
SHEET		D/BS/TC11-0-12		
		NUMBER		
		REV.		
		C		

DEC FORM NO. DRD 102A

This drawing and specifications, herein, are the property of Digital Equipment Corporation and shall not be reproduced or copied in whole or in part as the basis for the manufacture or sale of items without written permission.

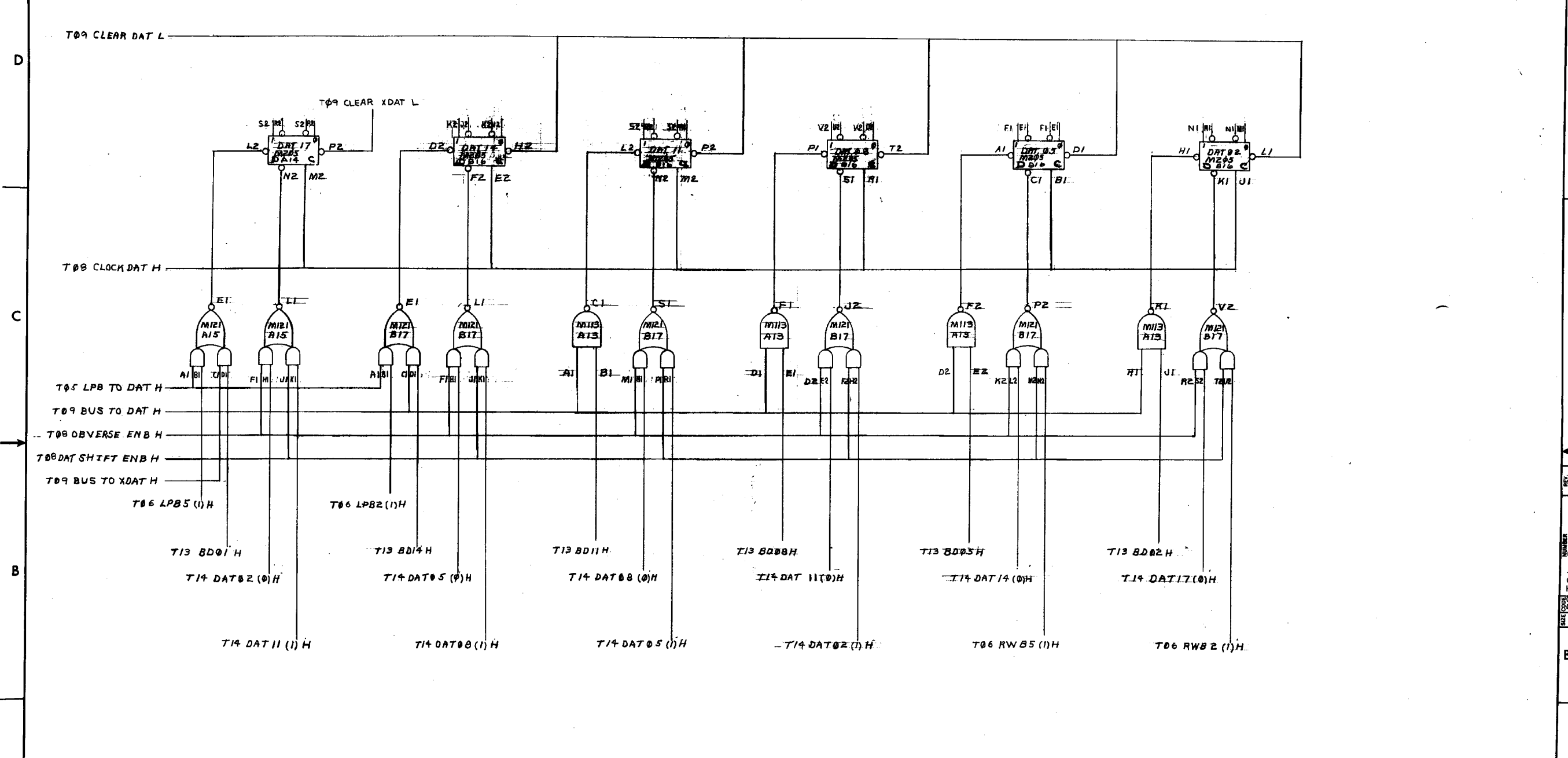
REV. 2



REV.	CHANGE NO.

FIRST USED ON OPTION/MODEL PDP-11	QTY.	DESCRIPTION	PART NO.	ITEM NO.
UNLESS OTHERWISE SPECIFIED DIMENSION IN INCHES	PARTS LIST			
UNLESS OTHERWISE SPECIFIED DIMENSION IN INCHES	digital EQUIPMENT CORPORATION MAYNARD, MASSACHUSETTS			
TOLERANCES DECIMALS FRACTIONS ANGLES ± .005 ± 1/64 ± 0°30'	TITLE UNIBUS DRIVERS AND RECEIVERS			
FINAL SURFACE QUALITY REMOVE BURRS AND BREAK SHARP CORNERS	SIZE/CODE NUMBER REV. D/BS TC11-0-13			
MATERIAL + / + /	NEXT HIGHER ASSY A-ML TC11-0			
FINISH + / + /	SCALE SHEET 1 OF 1			

REV. 2
D/BS TC11-0-13



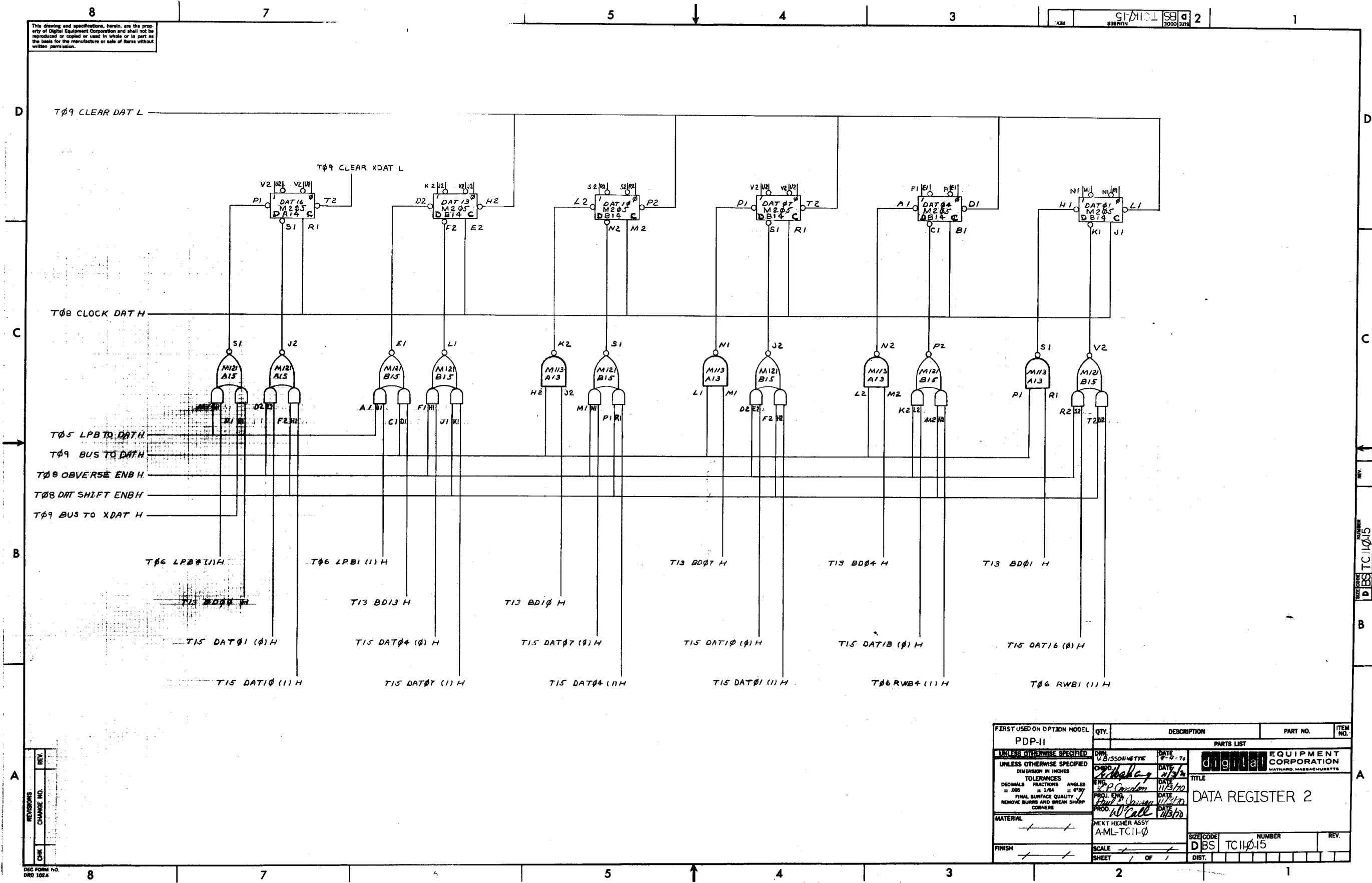
REV	
CHG	
CHK	
REVISIONS	
CHANGE NO.	

FIRST USED ON OPTION/MODEL PDP-11	QTY.	DESCRIPTION	PART NO.	ITEM NO.
UNLESS OTHERWISE SPECIFIED	PARTS LIST			
UNLESS OTHERWISE SPECIFIED	digital EQUIPMENT CORPORATION MAYNARD, MASSACHUSETTS			
UNLESS OTHERWISE SPECIFIED	TITLE DATA REGISTER I			
UNLESS OTHERWISE SPECIFIED	SIZE CODE NUMBER DBS TC11-0-14			
UNLESS OTHERWISE SPECIFIED	SCALE OF			
UNLESS OTHERWISE SPECIFIED	SHEET OF			

REV. 1
DBS TC11-0-14

This drawing and specifications, herein, are the property of Digital Equipment Corporation and shall not be reproduced or copied or used in whole or in part as the basis for the manufacture or sale of items without written permission.

REV. 2
 SIZE CODE D BS TC11-015

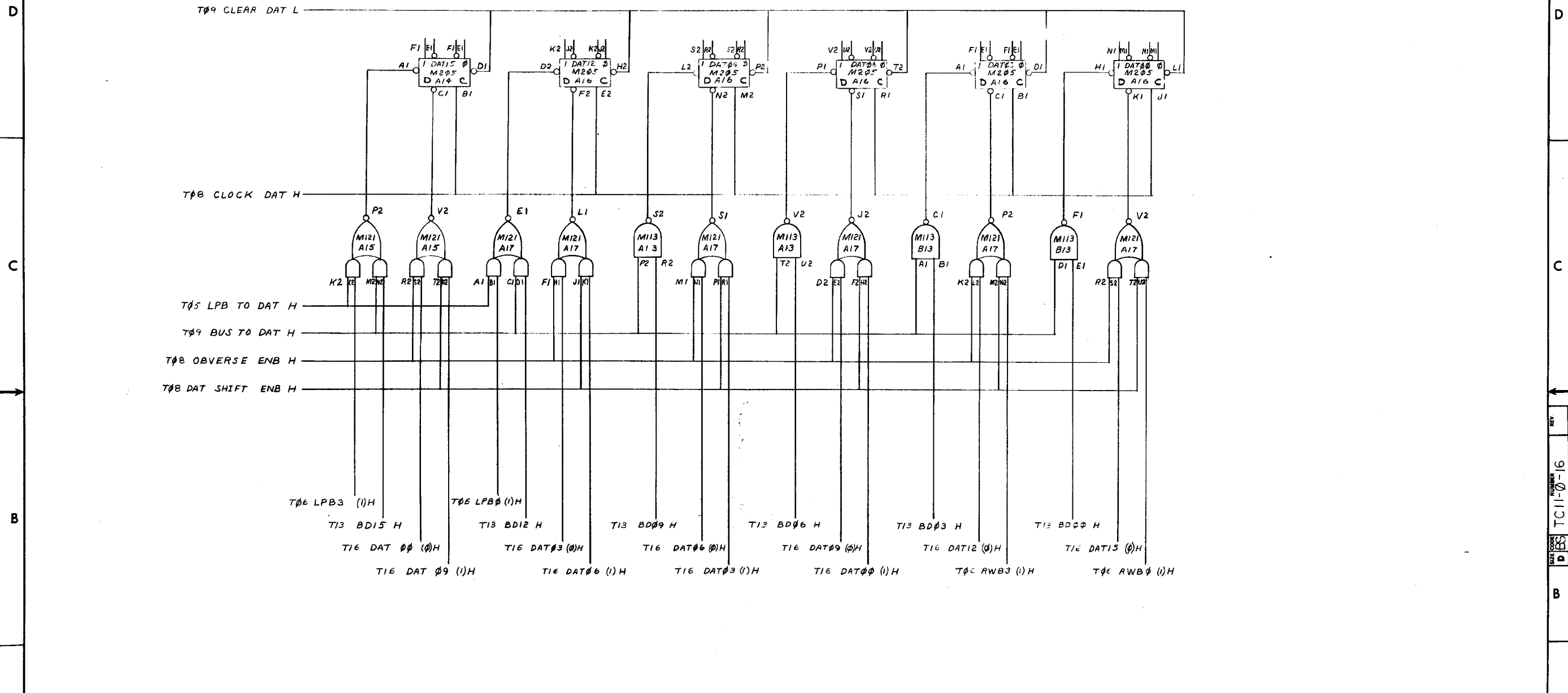


REV.	
CHG.	
NO.	

FIRST USED ON OPTION MODEL PDP-11	QTY.	DESCRIPTION	PART NO.	ITEM NO.
PARTS LIST				
UNLESS OTHERWISE SPECIFIED				
DRAWN BY: V. BISSONNETTE DATE: 7-15-70				
UNLESS OTHERWISE SPECIFIED				
DIMENSION IN INCHES				
TOLERANCES				
DECIMALS FRACTIONS ANGLES				
± .005 ± 1/64 ± 0°30'				
FINAL SURFACE QUALITY				
REMOVE BURRS AND BREAK SHARP CORNERS				
MATERIAL				
NEXT HIGHER ASSY				
FINISH				
SCALE				
SHEET OF				
TITLE			REV.	
DATA REGISTER 2			1	
SIZE CODE: D BS TC11-015			NUMBER	
DIST.			REV.	

DES FORM NO. DRO 100A

This drawing and specifications, herein, are the property of Digital Equipment Corporation and shall not be reproduced or copied or used in whole or in part as the basis for the manufacture or sale of items without written permission.



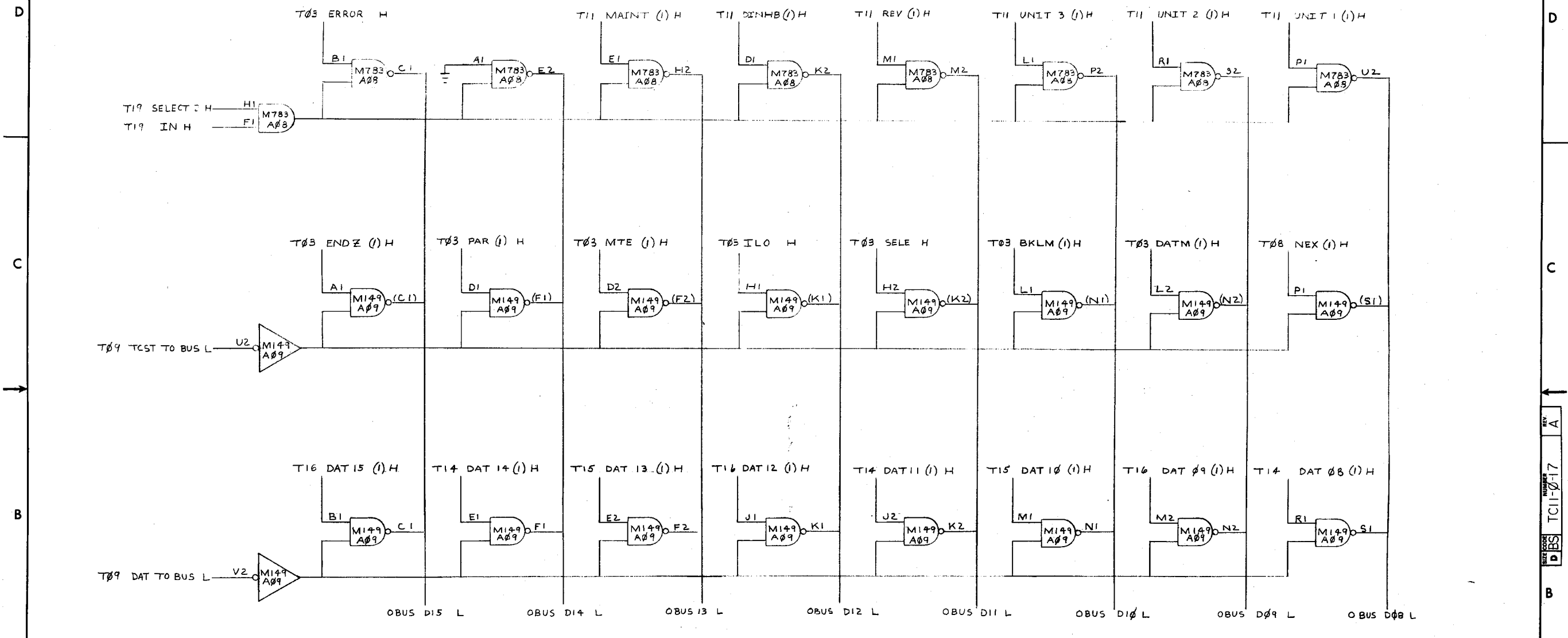
REV.	
CHG.	
CHG.	
CHG.	
CHG.	

FIRST USED ON OPTION MODEL	QTY.	DESCRIPTION	PART NO.	ITEM NO.
PDP-11				
PARTS LIST				
UNLESS OTHERWISE SPECIFIED	DRN. <i>J. V. Vincent</i>	DATE 9-9-70	digital CORPORATION MAYNARD, MASSACHUSETTS	
UNLESS OTHERWISE SPECIFIED	CHKD. <i>K. H. Kelly</i>	DATE 11/3/70	TITLE	
DIMENSION IN INCHES	ENG. <i>J. P. Conroy</i>	DATE 11/2/70	DATA REGISTER 3	
TOLERANCES	PROJ. ENG. <i>W. J. Call</i>	DATE 11/5/70	SIZE CODE NUMBER REV.	
DECIMALS FRACTIONS ANGLES	PROD. <i>W. J. Call</i>	DATE 11/5/70	DIRS TC11-0-16	
± .005 ± 1/64 ± 0°30'	MATERIAL	NEXT HIGH ANALYST	SHEET 1 OF 1	
FINAL SURFACE QUALITY / REMOVE BLURS AND BREAK SHARP CORNERS	FINISH	A-ML-TC11-0	DIST.	

REV. NUMBER TC11-0-16

This drawing and specifications, herein, are the property of Digital Equipment Corporation and shall not be reproduced or copied or used in whole or in part as the basis for the manufacture or sale of items without written permission.

21-0-1101 2



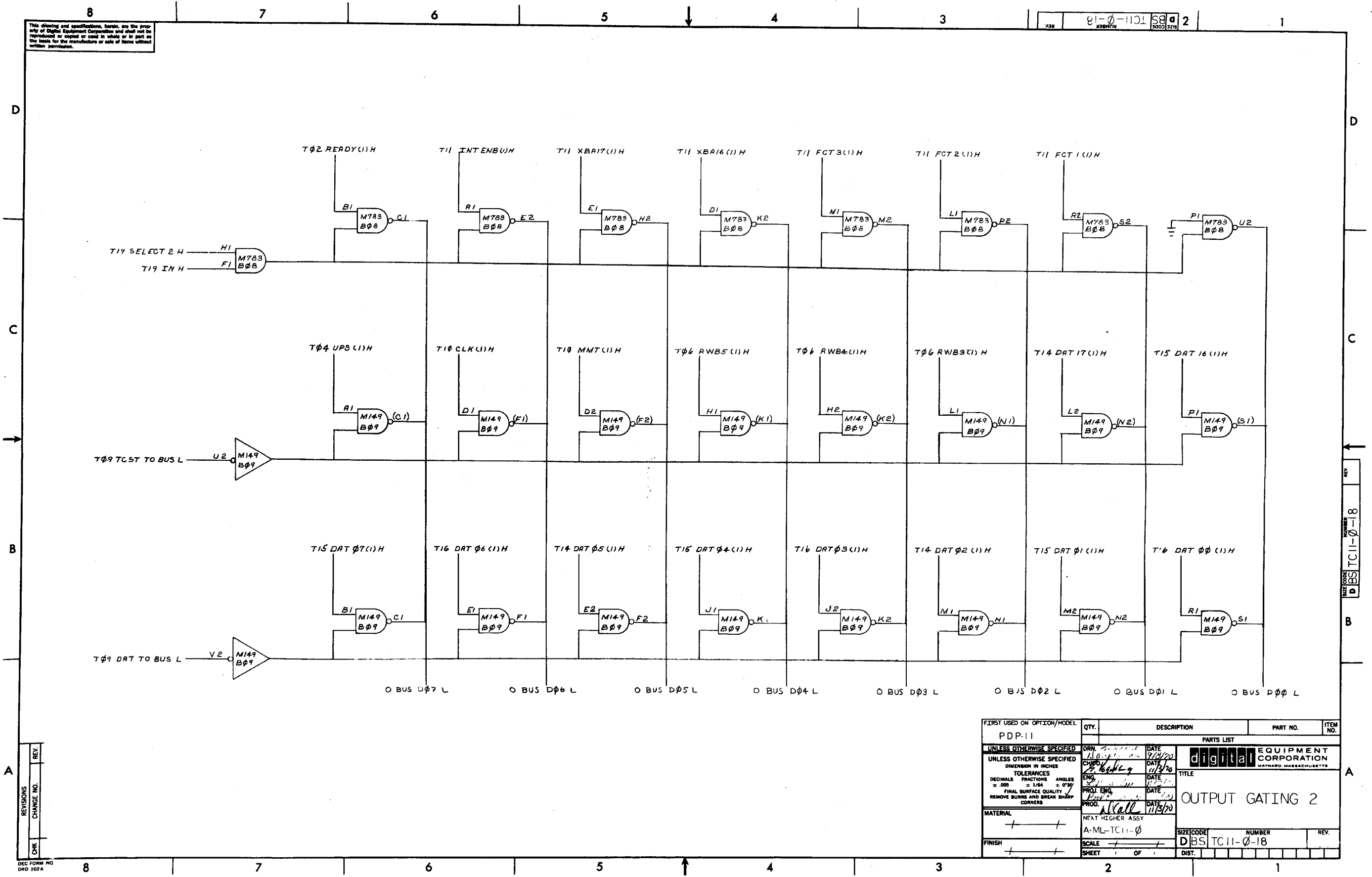
REV. A
TC11-017

REV.	CHANGE NO.	DATE	BY
A	0002	8-8-71	JANSON
			8-17-71

FIRST USED ON OPTION/MODEL	QTY.	DESCRIPTION	PART NO.	ITEM NO.
PDP-11				
UNLESS OTHERWISE SPECIFIED				
DIMENSION IN INCHES				
TOLERANCES				
DECIMALS	FRACTIONS	ANGLES		
± .005	± 1/64	± 0°30'		
FINISH				
REMOVE BURRS AND BREAK SHARP CORNERS				
MATERIAL				
NEXT HIGHEST ASSY				
A-ML-TC11-0				
SCALE				
SHEET 1 OF 1				
TITLE			NUMBER	REV.
OUTPUT GATING I			D BS TC11-017	A
DIST.				

This drawing and specifications, herein, are the property of Digital Equipment Corporation and shall not be reproduced or copied or used in whole or in part as the basis for the manufacture or sale of items without written permission.

81-0-1101 SB 2

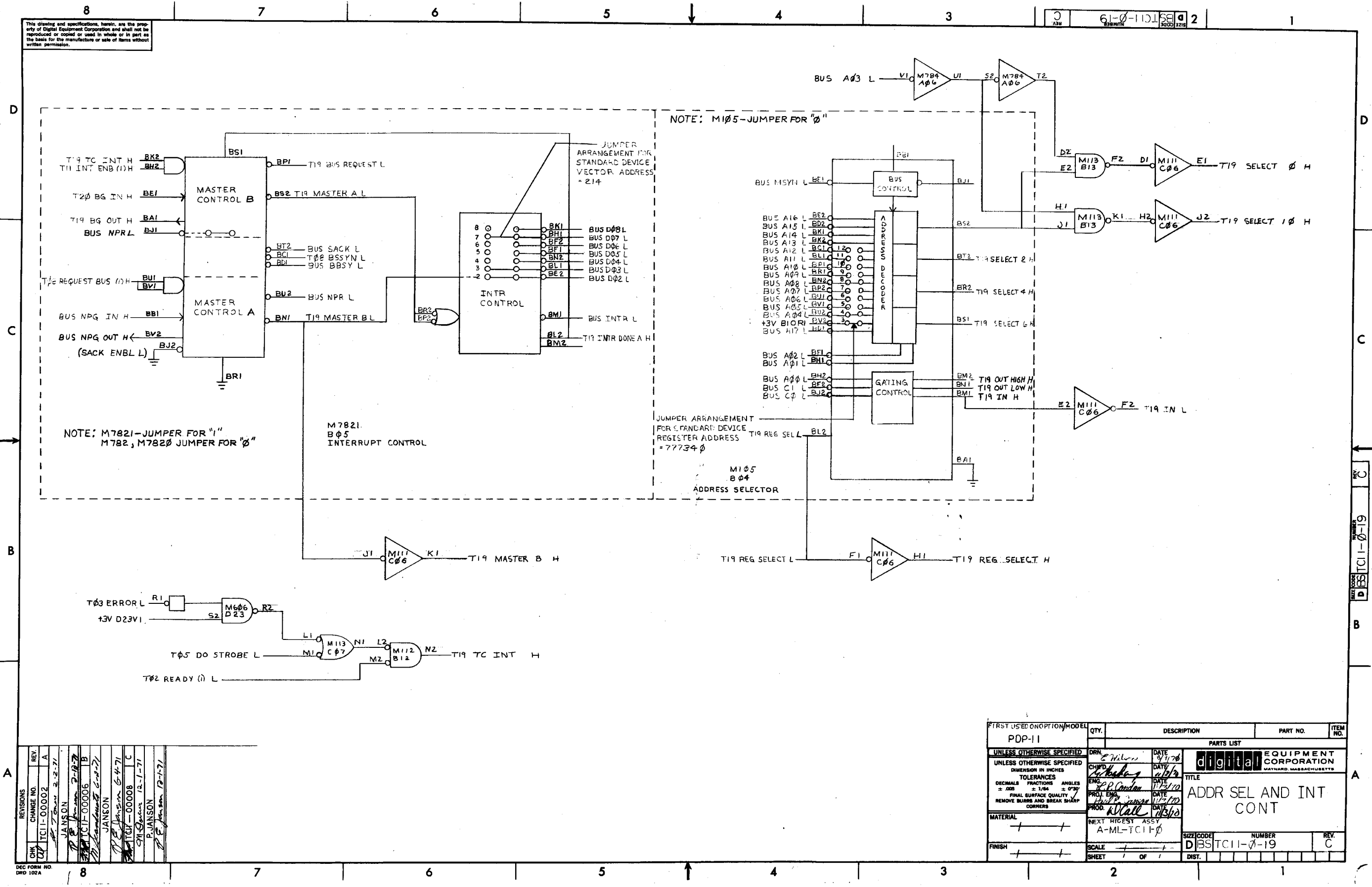


REVISIONS	CHK	CHANGE NO.	REV.

FIRST USED ON OPTION/MODEL PDP-11	QTY.	DESCRIPTION	PART NO.	ITEM NO.
PARTS LIST				
UNLESS OTHERWISE SPECIFIED	DRAWN	DATE	digital EQUIPMENT CORPORATION MAYNARD, MASSACHUSETTS	
UNLESS OTHERWISE SPECIFIED	CHKD.	DATE	TITLE	
DIMENSION IN INCHES	ENG.	DATE	OUTPUT GATING 2	
TOLERANCES	PROJ. ENG.	DATE	SIZE CODE	
DECIMALS FRACTIONS ANGLES	PROD.	DATE	NUMBER	
± .005 ± 1/64 ± 0°30'			D BS TC11-0-18	
FINAL SURFACE QUALITY / REMOVE BURRS AND BREAK SHARP CORNERS	NEXT HIGHER ASSY		REV.	
MATERIAL	A-ML-TC11-0			
FINISH	SCALE			
	SHEET	OF		

DEC FORM NO. DRD 102A

This drawing and specifications, herein, are the property of Digital Equipment Corporation and shall not be reproduced or copied or used in whole or in part as the basis for the manufacture or sale of items without written permission.

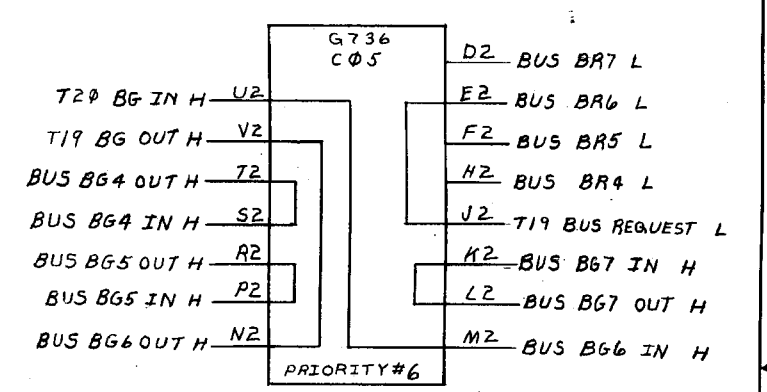
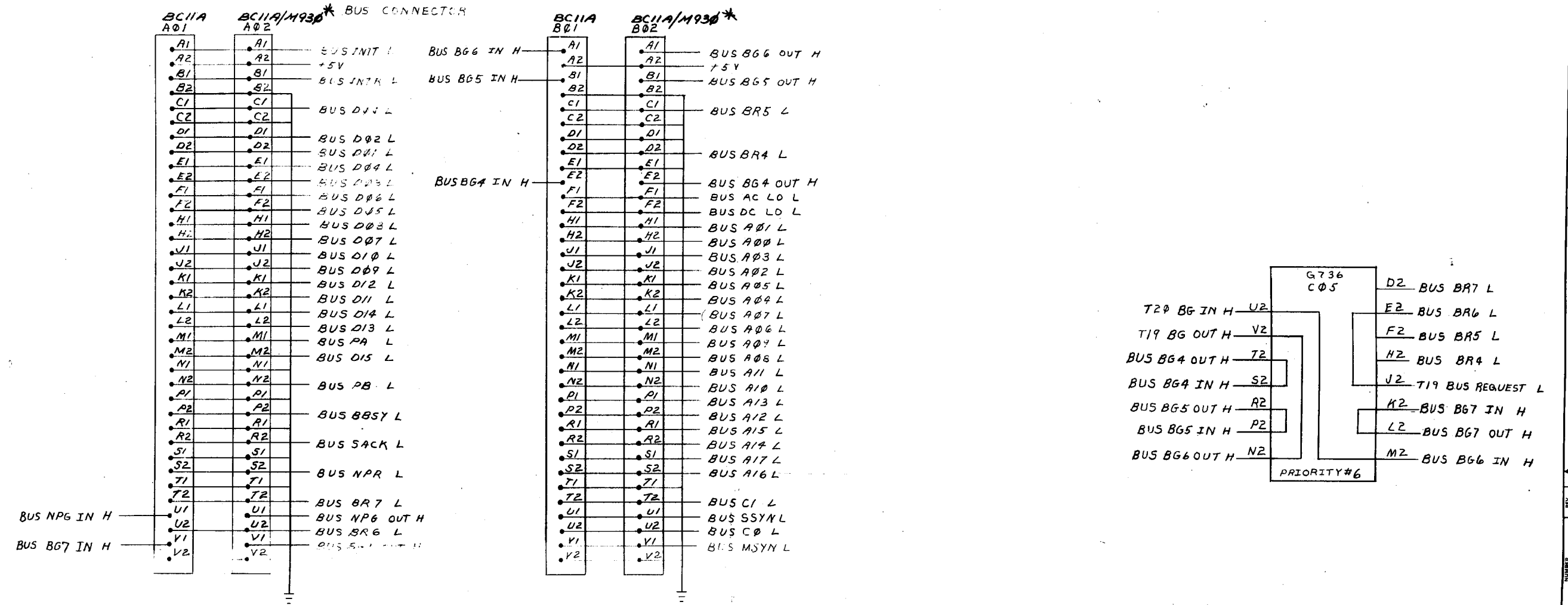


REV.	CHG. NO.	DATE	BY	CHK.
A	0002	3-2-71	JANSON	
B	0006	3-18-71	JANSON	
C	0008	6-4-71	JANSON	
D	0010	12-1-71	P. JANSON	
E	0011	12-1-71	P. JANSON	

QTY.	DESCRIPTION	PART NO.	ITEM NO.
	POP-11		
PARTS LIST			
DRN.	DATE	digital EQUIPMENT CORPORATION	
ENG.	DATE	MAYNARD, MASSACHUSETTS	
PROJ. ENG.	DATE	TITLE	
PROD.	DATE	ADDR SEL AND INT CONT	
NEXT HIGHEST ASSY		SIZE CODE	NUMBER
A-ML-TC11-0		D	61-0-1101-19
SCALE		DIST.	REV. C
SHEET OF 1			

This drawing and specifications, herein, are the property of Digital Equipment Corporation and shall not be reproduced or copied or used in whole or in part as the basis for the manufacture or sale of items without written permission.

8 7 6 5 4 3 2 1



*** NOTE:**
 1. FOR A02/B02 IF TC11 IS THE LAST DEVICE ON THE BUS SLOT A02/B02 HAS IN IT A M930, OTHERWISE IT HAS A BC11A.

REV.	
CHANGE NO.	
CHK	

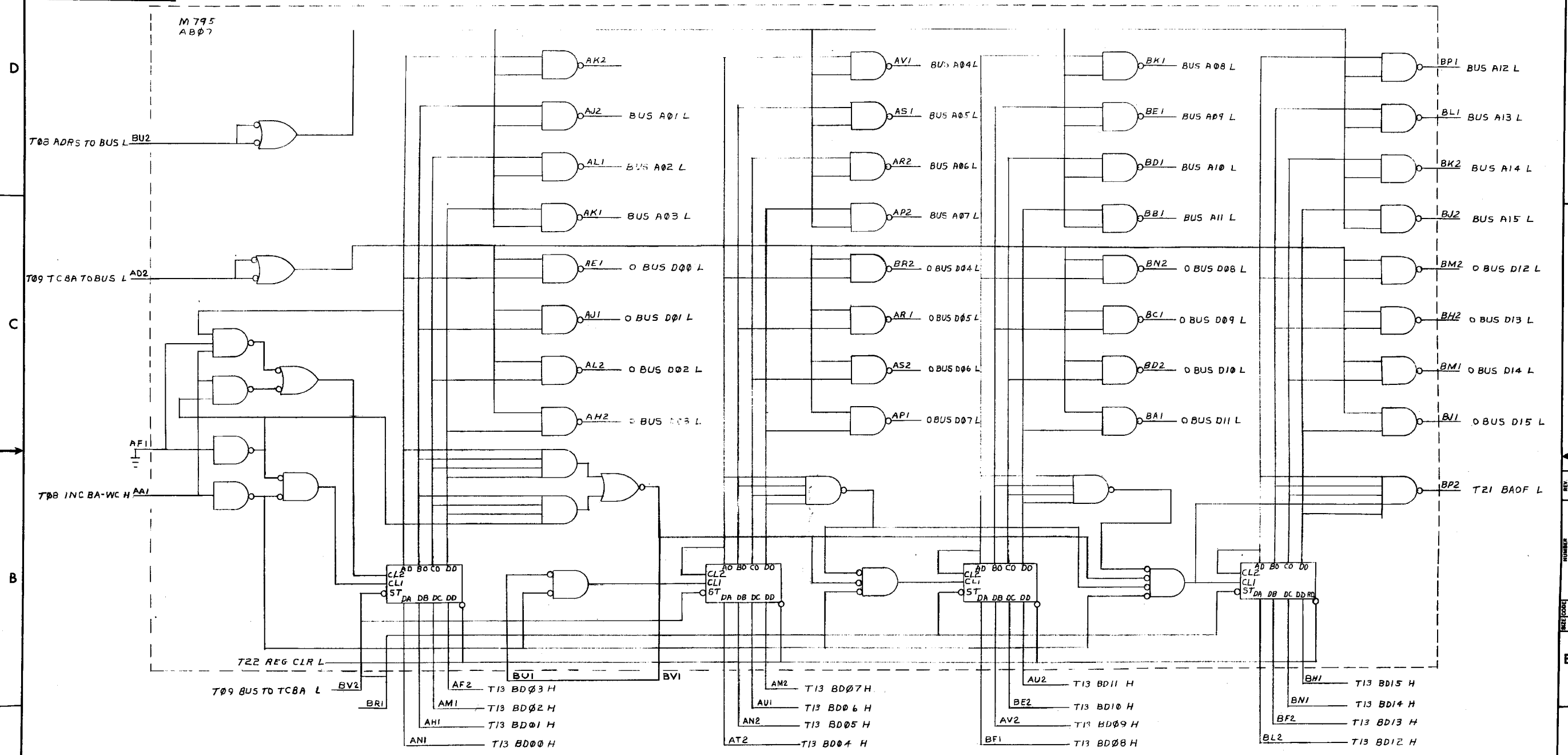
FIRST USED ON OPTION/MODEL
PDP-11

DO NOT SCALE DRAWING
 UNLESS OTHERWISE SPECIFIED
 DIMENSION IN INCHES
 TOLERANCES
 DECIMALS FRACTIONS ANGLES
 ± .008 ± 1/64 ± 0°30'
 FINAL SURFACE QUALITY
 REMOVE BURRS AND BREAK SHARP CORNERS

QTY.	DESCRIPTION	PART NO.	ITEM NO.
PARTS LIST			
digital EQUIPMENT CORPORATION MAYHARD, MASSACHUSETTS			
TITLE BUS CONNECTOR			
NEXT HIGHER ASSY P.L.C. 11		SIZE CODE DIC	NUMBER TC 11-0-20
SCALE		DIST.	REV.
SHEET OF			

REV. 11-0-20

This drawing and specifications, herein, are the property of Digital Equipment Corporation and shall not be reproduced or copied or used in whole or in part as the basis for the manufacture or sale of items without written permission.



REV.	CHG. NO.	DATE	BY
A	0006	11/15/70	JANSON
			JANSON

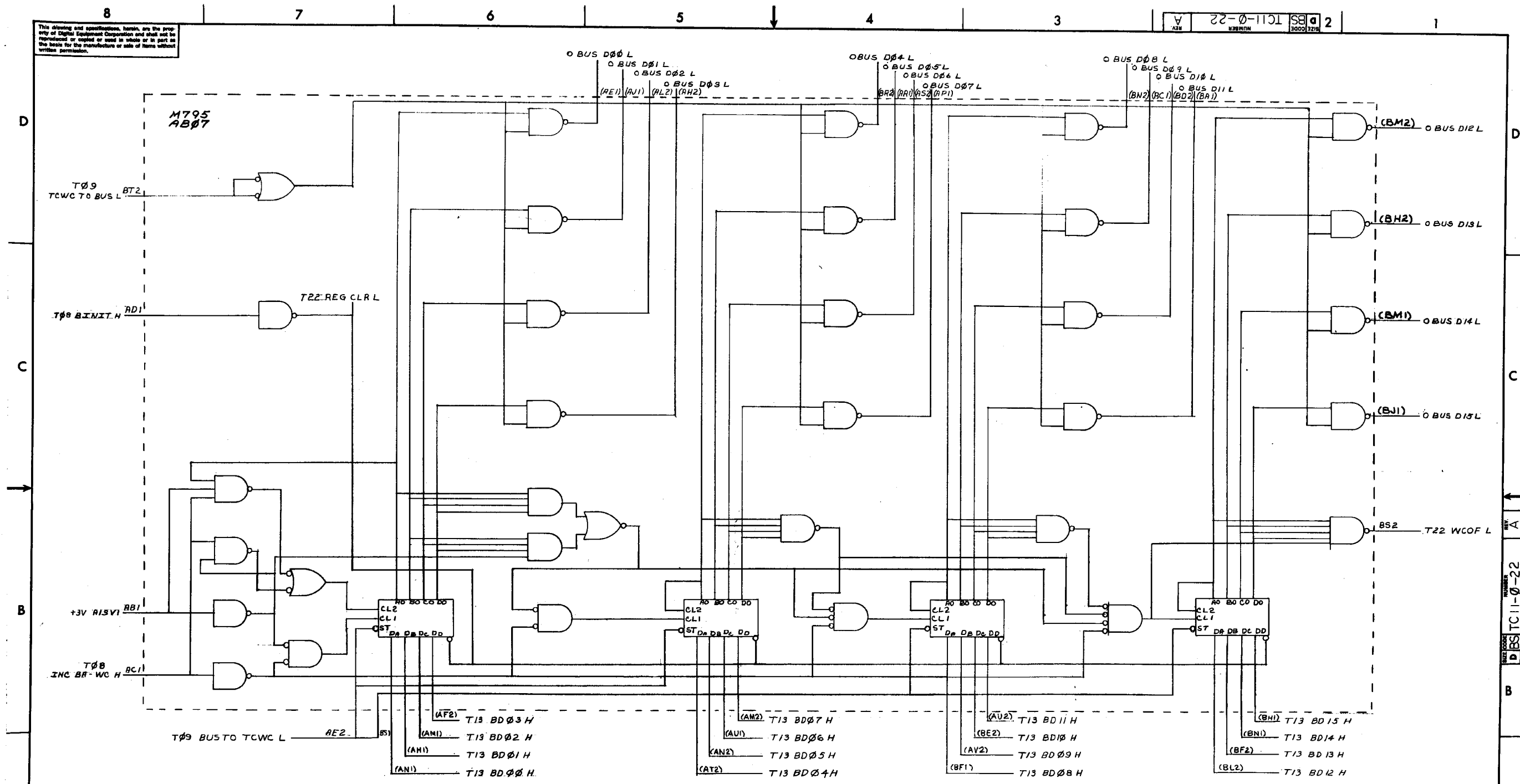
FIRST USED ON OPTION/MODEL	QTY.	DESCRIPTION	PART NO.	ITEM NO.
PDP-11				
UNLESS OTHERWISE SPECIFIED				
DIMENSION IN INCHES				
TOLERANCES				
DECIMALS FRACTIONS ANGLES				
± .005 ± 1/64 ± 0°30'				
FINAL SURFACE QUALITY				
REMOVE BURRS AND BREAK SHARP CORNERS				
MATERIAL				
NEXT HIGHER ASSY				
A-MLTCH-0				
SCALE				
SHEET 1 OF 1				

DATE	DATE	DATE	DATE
9-16-70	11/15/70	11/15/70	11/15/70

digital EQUIPMENT CORPORATION	
MAYNARD, MASSACHUSETTS	
TITLE	
BUS ADDRESS REGISTER (TCBA)	
SIZE CODE	NUMBER
DBS TC11-0-21	
REV.	A

This drawing and specifications, herein, are the property of Digital Equipment Corporation and shall not be reproduced or copied or used in whole or in part as the basis for the manufacture or sale of items without written permission.

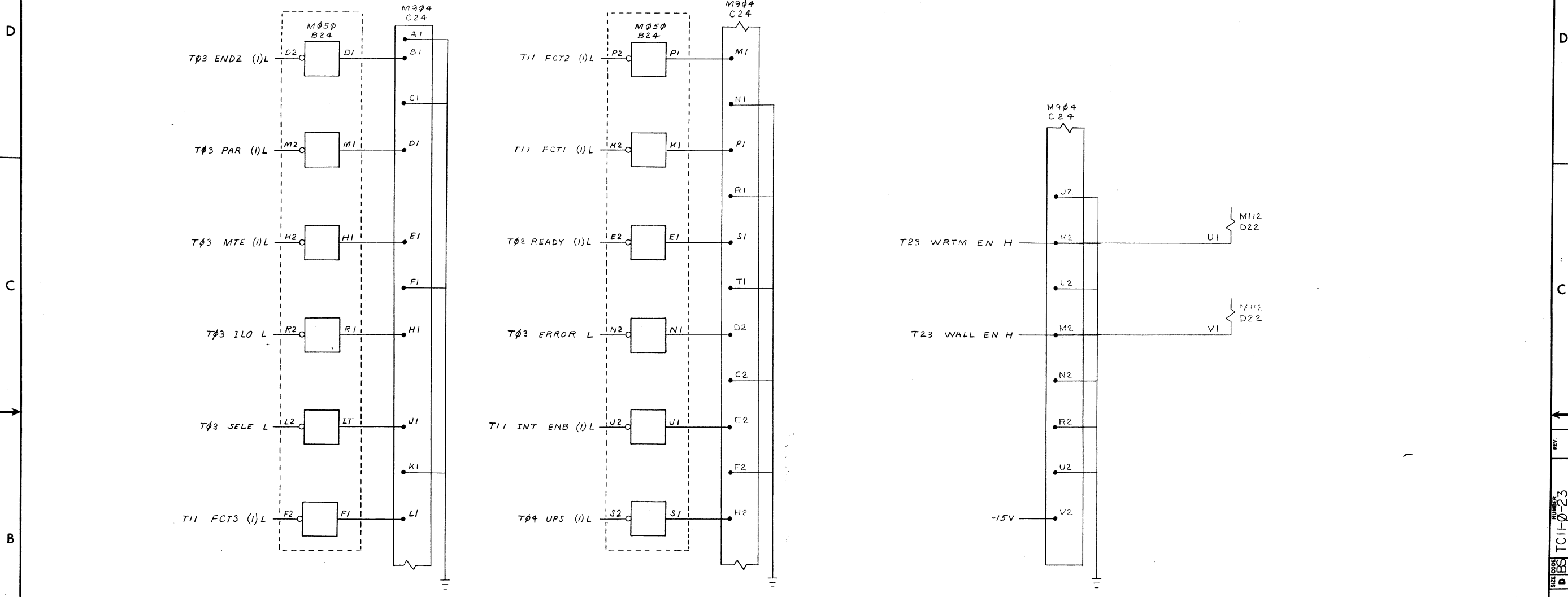
22-0-1101 2



REV.	A
CHANGE NO.	1
CHK	JANSON
REVISIONS	6-2-77
	6-4-77

FIRST USED ON OPTION/MODEL PDP 11	QTY.	DESCRIPTION	PART NO.	ITEM NO.
UNLESS OTHERWISE SPECIFIED	PARTS LIST			
UNLESS OTHERWISE SPECIFIED	digital EQUIPMENT CORPORATION MAYNARD, MASSACHUSETTS			
UNLESS OTHERWISE SPECIFIED	TITLE WORD COUNT REGISTER (TCWC)			
UNLESS OTHERWISE SPECIFIED	SIZE CODE NUMBER REV. DBS TC 11-0-22 A			
UNLESS OTHERWISE SPECIFIED	SCALE 1 OF 1			
UNLESS OTHERWISE SPECIFIED	SHEET 1 OF 1			

This drawing and specifications herein, are the property of Digital Equipment Corporation and shall not be reproduced or copied or used in whole or in part as the basis for the manufacture or sale of items without written permission.



REVISIONS	REV.
CHANGE NO.	
CHK	

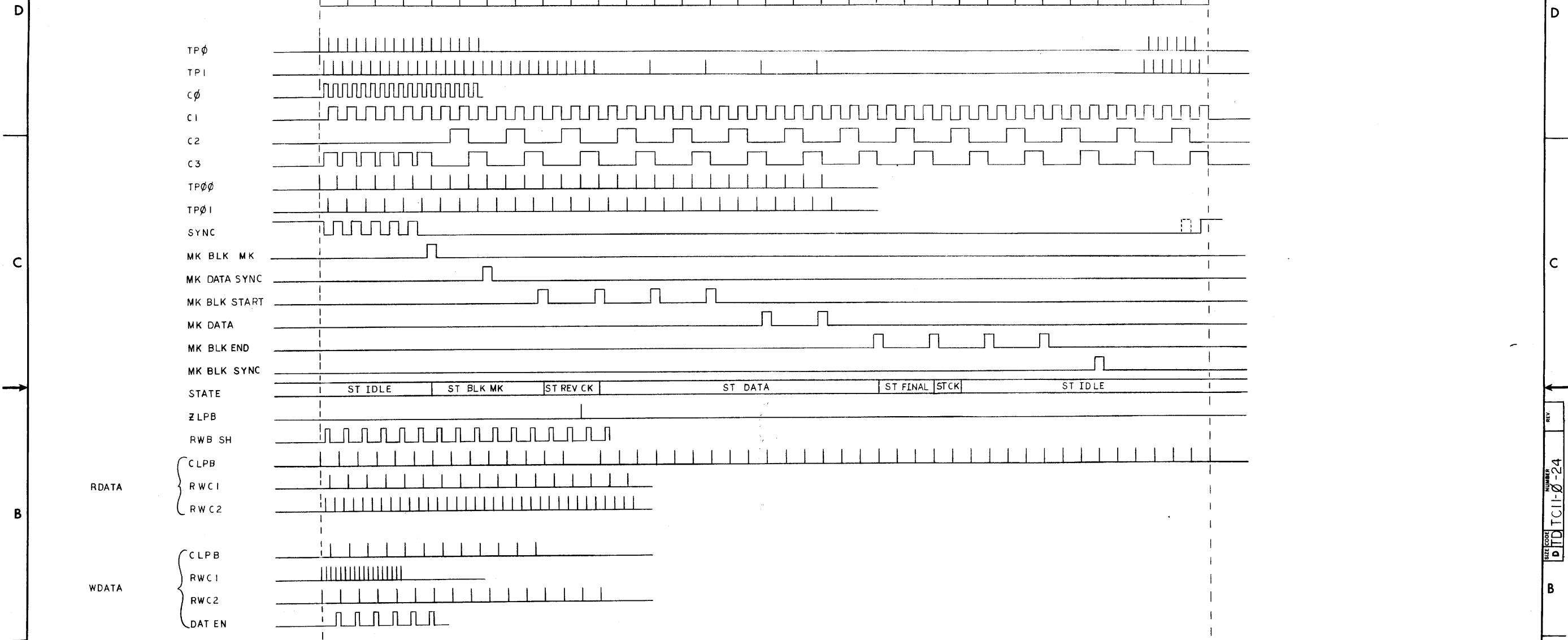
REV.	
NUMBER	TC11-0-23

FIRST USED ON OPTION/MODEL PDP-11	QTY.	DESCRIPTION	PART NO.	ITEM NO.
PARTS LIST				
UNLESS OTHERWISE SPECIFIED	DRN. <i>J. Winsor</i>	DATE 9-9-70	digital EQUIPMENT CORPORATION MAYNARD, MASSACHUSETTS	
UNLESS OTHERWISE SPECIFIED	CHKD. <i>H. H. H.</i>	DATE 11/8/70	TITLE TC11 CONTROL PANEL	
TOLERANCES	ENG. <i>R. P. Carston</i>	DATE 11/21/70	SIZE/CODE NUMBER D/BS TC11-0-23	
DECIMALS = .005	PROJ. ENG. <i>Paul J. Carston</i>	DATE 11/21/70	REV.	
FRACTIONS = 1/64	PROD. <i>W. G. G.</i>	DATE 11/21/70	SHEET 1 OF 1	
ANGLES = 0°30'	MATERIAL	SCALE	DIST.	
FINAL SURFACE QUALITY	FINISH	SHEET	REV.	
REMOVE BURRS AND BREAK SHARP CORNERS				

This drawing and specifications, herein, are the property of Digital Equipment Corporation and shall not be reproduced or copied or used in whole or in part as the basis for the manufacture or sale of items without written permission.

REV 2
 SIZE CODE
 NUMBER
 DTD TC11-Ø-24

EXT	FOR BLK NUM	REV GUARD	REV LOCK	REV CHECK	1ST DATA	2ND DATA	3RD DATA	4TH DATA	LAST-1 DATA	LAST DATA	FOR CHECK	FOR LOCK	FOR GUARD	REV BLK NUM	EXT																
2	5	2	6	3	2	1	0	1	0	1	0	1	0	7	C	7	C	7	3	7	3	7	3	7	3	5	1	4	5	2	5



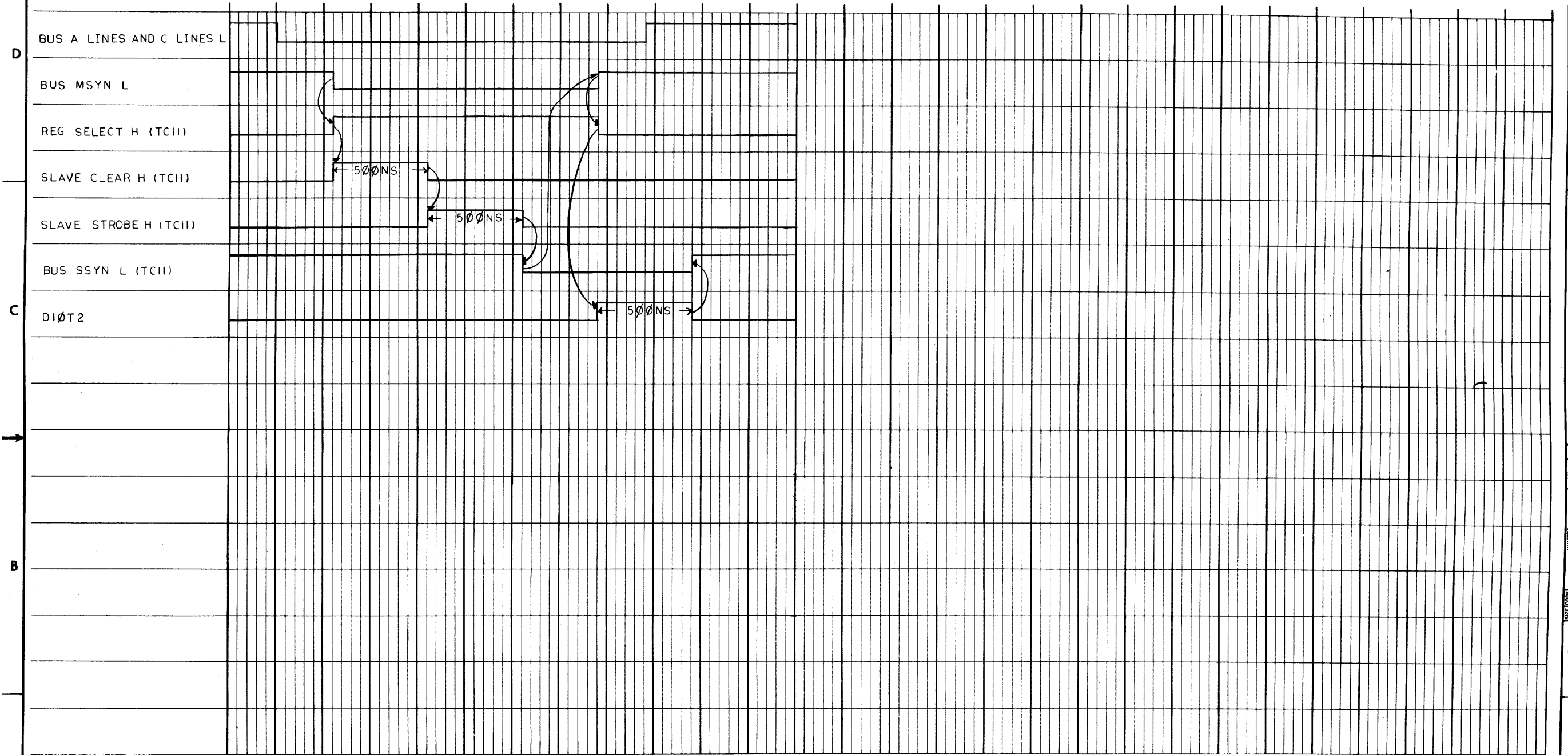
REV	CHANGE NO.	REVISIONS

FIRST USED ON OPTION/MODEL PDP-11	QTY.	DESCRIPTION	PART NO.	ITEM NO.
PARTS LIST				
UNLESS OTHERWISE SPECIFIED	DRN.	DATE	digital EQUIPMENT CORPORATION MAYNARD, MASSACHUSETTS	
UNLESS OTHERWISE SPECIFIED	CHK'D	DATE	TITLE	
DIMENSION IN INCHES	<i>H. Babay</i>	1/15/70	DECTAPE TIMING	
TOLERANCES	ENG.	DATE	NEXT HIGHER ASSY	
DECIMALS FRACTIONS ANGLES	PROJ. ENG.	DATE	A-ML-TC11-Ø	
± .005 ± .1/64 ± 0°30'	PROD.	DATE	SIZE CODE	NUMBER
FINAL SURFACE QUALITY REMOVE BURRS AND BREAK SHARP CORNERS	<i>Call</i>	1/16/70	DTD	TC11-Ø-24
MATERIAL	FINISH	SCALE	SHEET	OF
+	+	+	2	1

This drawing and specifications, herein, are the property of Digital Equipment Corporation and shall not be reproduced or copied or used in whole or in part as the basis for the manufacture or sale of items without written permission.

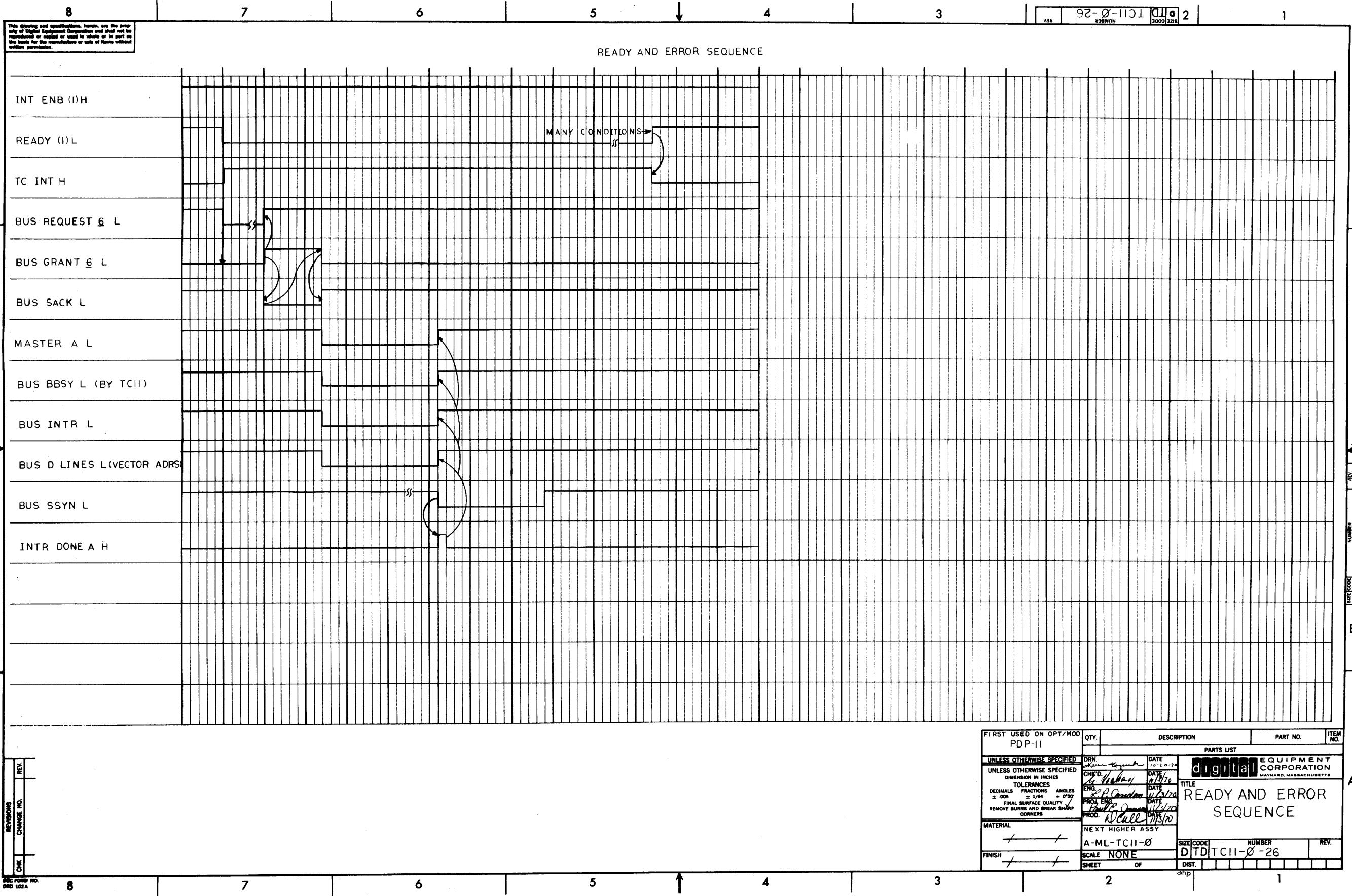
REV. 52-0-1101 2

TCII SLAVE RESPONSE



REV. 1	DATE
CHK	CHANGE NO.
CHK	

FIRST USED ON OPT/MOD PDP-11	QTY.	DESCRIPTION	PART NO.	ITEM NO.
PARTS LIST				
UNLESS OTHERWISE SPECIFIED	DRN.	DATE	digital EQUIPMENT CORPORATION MAYNARD, MASSACHUSETTS	
DIMENSION IN INCHES	CHK'D.	DATE	TITLE	
TOLERANCES	DATE	DATE	TCII SLAVE RESPONSE	
DECIMALS FRACTIONS ANGLES	ENG.	DATE	SIZE CODE NUMBER REV.	
± .005 ± 1/64 ± 0°30'	DATE	DATE	D TD TCII-0-25	
FINAL SURFACE QUALITY	PROJ. ENG.	DATE	SHEET OF	
REMOVE BURRS AND BREAK SHARP CORNERS	DATE	DATE	DST.	
MATERIAL	PROD.	DATE	shp	
FINISH	NEXT HIGHER ASSY	DATE		
	A-ML-TCII-0	DATE		



This drawing and specifications, herein, are the property of Digital Equipment Corporation and shall not be reproduced or copied or used in whole or in part as the basis for the manufacture or sale of items without written permission.

REV. NUMBER 92-0-1101 2

REV. NUMBER DTD TCII-0-26

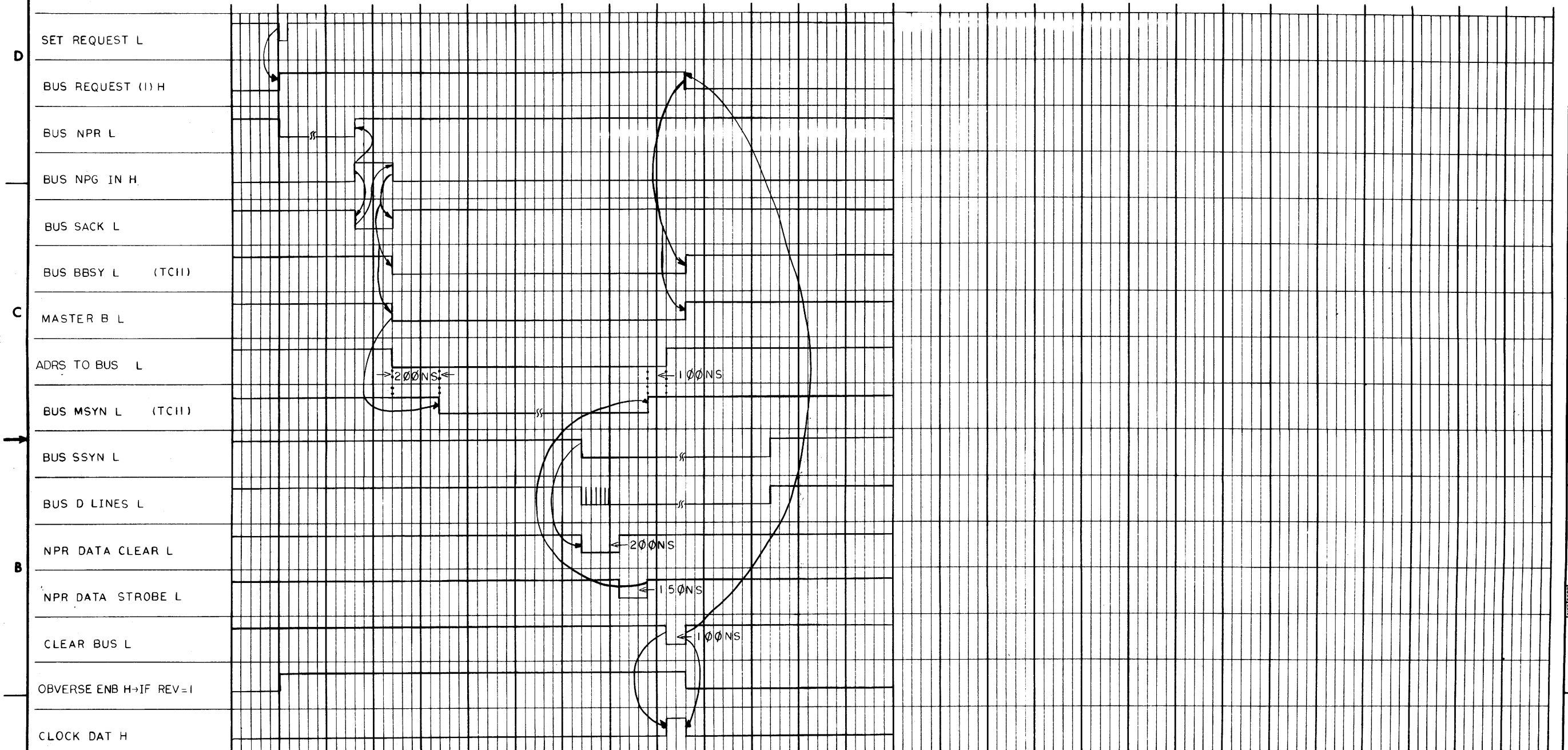
REV. CHANGE NO. CHK

FIRST USED ON OPT/MOD PDP-11	QTY.	DESCRIPTION	PART NO.	ITEM NO.
UNLESS OTHERWISE SPECIFIED		PARTS LIST		
UNLESS OTHERWISE SPECIFIED		digital EQUIPMENT CORPORATION MAYNARD, MASSACHUSETTS		
DIMENSION IN INCHES		TITLE READY AND ERROR SEQUENCE		
TOLERANCES		DATE 10-20-74		
DECIMALS ± .005	FRACTIONS ± 1/64	ANGLES ± 0°30'	DATE 11/17/70	DATE 11/17/70
FINAL SURFACE QUALITY		DATE 11/17/70		
REMOVE BURRS AND BREAK SHARP CORNERS		DATE 11/17/70		
MATERIAL	NEXT HIGHER ASSY			
FINISH	A-ML-TCII-0			
SCALE NONE		SIZE/CODE DTD TCII-0-26		
SHEET OF		REV.		

DEC FORM NO. DRD 102A

This drawing and specifications, herein, are the property of Digital Equipment Corporation and shall not be reproduced or copied or used in whole or in part as the basis for the manufacture or sale of items without written permission.

NPR TRANSFER-DATI



REV.	
CHANGE NO.	
DATE	

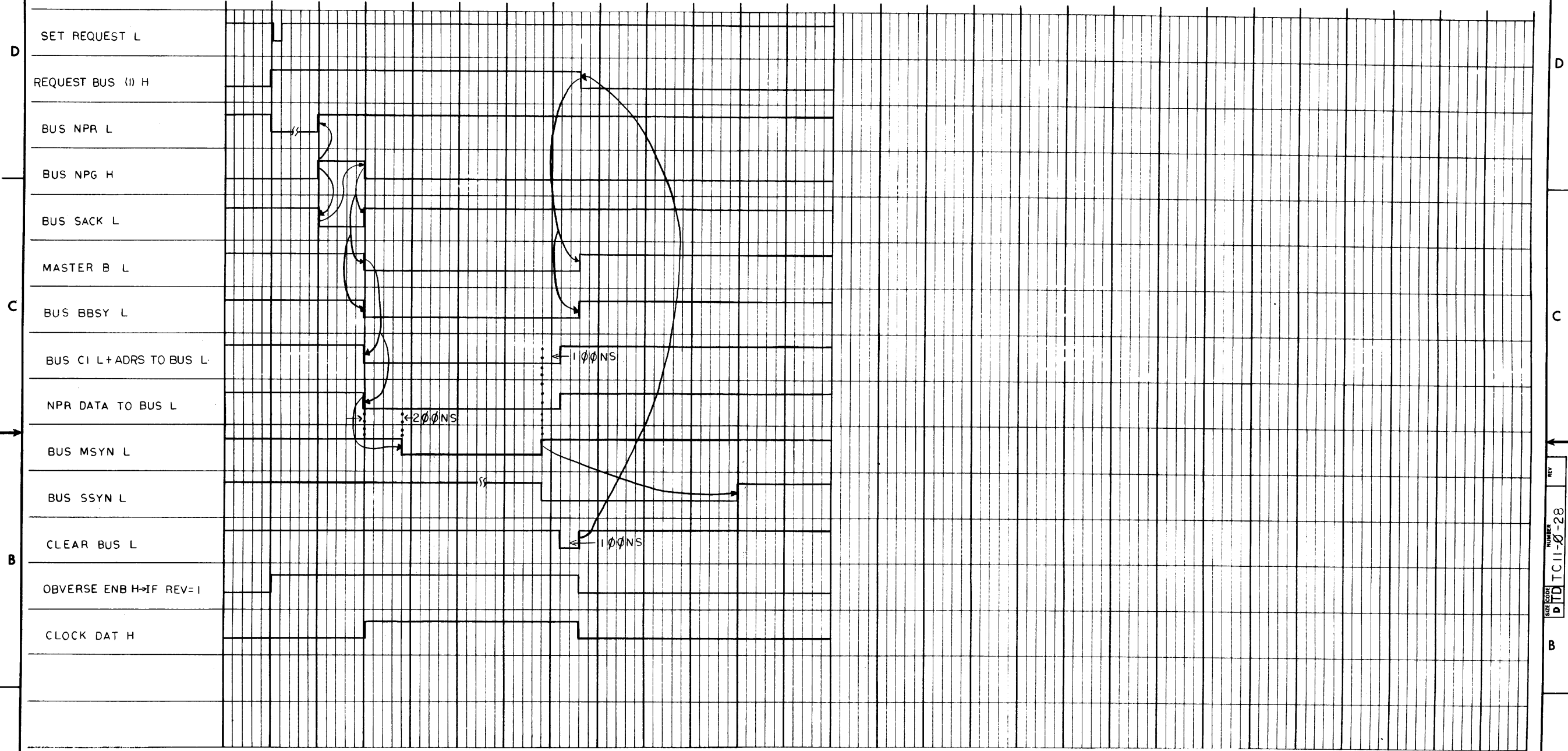
FIRST USED ON OPT/MOD PDP-11	QTY.	DESCRIPTION	PART NO.	ITEM NO.
PARTS LIST				
UNLESS OTHERWISE SPECIFIED DIMENSION IN INCHES	DRN. <i>K. H. ...</i>	DATE 70-20-70	digital EQUIPMENT CORPORATION MAYNARD, MASSACHUSETTS	
TOLERANCES	CHK'D <i>K. H. ...</i>	DATE 11/3/70	TITLE NPR TRANSFER-DATI	
DECIMALS ± .005	ENG. <i>P. ...</i>	DATE 11/5/70	NEXT HIGHER ASSY A-ML-TC11-0	
FRACTIONS ± 1/64	PROJ. ENG. <i>Paul ...</i>	DATE 11/3/70	SCALE NONE	
ANGLES ± 0°30'	PROD. <i>W. Call</i>	DATE 11/5/70	SHEET OF	
FINAL SURFACE QUALITY / REMOVE BURRS AND BREAK SHARP CORNERS			SIZE/CODE NUMBER REV. DITD TC11-0-27	

REV. 2 11-01-72

This drawing and specifications, herein, are the property of Digital Equipment Corporation and shall not be reproduced or copied or used in whole or in part as the basis for the manufacture or sale of items without written permission.

DATE CODE: 2-0-1101
 NUMBER: 2

NPR TRANSFER → DATO




REV.	
CHANGE NO.	
CHK	

FIRST USED ON OPT/MOD PDP-11	QTY.	DESCRIPTION	PART NO.	ITEM NO.
PARTS LIST				
UNLESS OTHERWISE SPECIFIED	DRN.	DATE	digital EQUIPMENT CORPORATION MAYNARD, MASSACHUSETTS	
UNLESS OTHERWISE SPECIFIED	CHKD.	DATE	TITLE	
DIMENSION IN INCHES	ENG.	DATE	NPR TRANSFER → DATO	
TOLERANCES	PROL. ENG.	DATE	SIZE CODE NUMBER REV.	
DECIMALS FRACTIONS ANGLES	PROD.	DATE	DITD TC11-0-28	
± .005 ± .004 ± .030			SCALE NONE	
FINAL SURFACE QUALITY			SHEET OF	
REMOVE BURRS AND BREAK SHARP CORNERS			DIST.	
MATERIAL	NEXT HIGHER ASSY	A-ML-TC11-0		
FINISH	SCALE	NONE		

DEC FORM NO. 102A

DRWG NO	REV LTR
K-WL-TCII-Ø-3Ø	F

REVISIONS			
REV LTR	ECO NO	DATE	ENG
A	TCII-00002	2-2-71	<i>[Signature]</i>
B	TCII-00003	2-25-71	<i>[Signature]</i>
C	TCII-00006	6-2-71	<i>[Signature]</i>
D	TCII-00008	12-1-71	<i>[Signature]</i>
E	TCII-00010	4-13-72	<i>[Signature]</i>
F	TCII-00011	5-15-72	<i>[Signature]</i>

DRAWN <i>T. Chutanda</i> DATE 10/20/70	 digital EQUIPMENT CORPORATION MAYNARD, MASSACHUSETTS	TITLE DECTAPE CONTROL TCII		
CHECKED <i>M. Nozhang</i> DATE 11/3/70		FOR TAPE # FILE *		
ENG <i>Larry P. Condon</i> DATE 11/3/70		ASSY NO	SIZE K	CODE WL
PROJ ENG <i>P. E. Johnson</i> DATE 11/3/70		SCALE	DWG. NO. TCII-Ø-3Ø	REV LTR F
PROP <i>W. Call</i> DATE 11/3/70		SHEET OF	DIST.	

TC11,F RUN NAME	A/P PIN NAME	HND288.V19(16) 03/31/72 ORDER PIN	Q DRAW RV PG Y	X	Z	REMARKS	24-MAY-72 LENGTH	21112 EXCEPTIONS	PAGE 3 RUN NUMBER
*3 D23V1	D23V1	1-01 *	T018		1				15
*3 D23V1	D23S2	1-02 *	T19		2				15
*3 D23V1	D23E2	1-03 *	T02				6-2/8		15
*3 D23V1		1							15
A06D2	A06D2	1-01 *	T00S		1				16
A06D2	B12R2	1-02 *	T00				7-4/8		16
A06D2		1							16
A06L2	A06L2	1-01 *	T00S		1				17
A06L2	C11J1	1-02 *	T00				8-2/8		17
A06L2		1							17
A06S1	A06S1	1-01 *	T02S		1				18
A06S1	B13P2	1-02 *	T02				7-2/8		18
A06S1		1							18
A06T2	A06T2	1-01 *	T19S		1				19
A06T2	B13D2	1-02 *	T19				6-4/8		19
A06T2		1							19
A06U1	A06S2	1-01 *	T19		1				20
A06U1	A06U1	1-02 *	T19S		2				20
A06U1	B13H1	1-03 *	T19				9-2/8		20
A06U1		1							20
A10D2	A10D2	1-01 *	T10S		1				21
A10D2	A10E2	1-02 *	T10				2-4/8		21
A10D2		1							21
A10V2	A10R2	1-01 *	T10		1				22
A10V2	A10V2	1-02 *	T10S				2-6/8		22
A10V2		1							22
A11L1	A11L1	1-01 *	T10S		1				23
A11L1	A11J1	1-02 *	T10				4-0/8		23
A11L1		1							23
A11M1	A11J1	1-01 *	T10		1				24
A11M1	A11M1	1-02 *	T10S		2				24
A11M1	A11S2	1-03 *	T10				5-6/8		24
A11M1		1							24
A13C1	A13C1	1-01 *	T14S		1				25
A13C1	B10L2	1-02 *	T14				6-6/8		25
A13C1		1							25

TC11,F RUN NAME	A/P PIN NAME	HND288.V19(16) 03/31/72 ORDER PIN	Q DRAW RV PG Y	X	Z	REMARKS	24-MAY-72 LENGTH	21112 EXCEPTIONS	PAGE 4 RUN NUMBER
A13F1	A13F1	1-01 *	T14S		1				26
A13F1	B10P1	1-02 *	T14				6-4/8		26
A13F1		1							26
A13F2	A13F2	1-01 *	T14S		1				27
A13F2	B10A1	1-02 *	T14				5-0/8		27
A13F2		1							27
A13K1	A13K1	1-01 *	T14S		1				28
A13K1	B10H1	1-02 *	T14				5-4/8		28
A13K1		1							28
A13K2	A13K2	1-01 *	T15S		1				29
A13K2	B14L2	1-02 *	T15				5-4/8		29
A13K2		1							29
A13N1	A13N1	1-01 *	T15S		1				30
A13N1	B14P1	1-02 *	T15				5-4/8		30
A13N1		1							30
A13N2	A13N2	1-01 *	T15S		1				31
A13N2	B14A1	1-02 *	T15				3-6/8		31
A13N2		1							31
A13S1	A13S1	1-01 *	T15S		1				32
A13S1	B14H1	1-02 *	T15				4-2/8		32
A13S1		1							32
A13S2	A13S2	1-01 *	T16S		1				33
A13S2	A10L2	1-02 *	T16				4-2/8		33
A13S2		1							33
A13V2	A13V2	1-01 *	T16S		1				34
A13V2	A10P1	1-02 *	T16				3-6/8		34
A13V2		1							34
A15E1	A14L2	1-01 *	T14		1				35
A15E1	A15E1	1-02 *	T14S				3-0/8		35
A15E1		1							35
A15J2	A15J1	1-01 *	T15		1				36
A15J2	A15J2	1-02 *	T15S				3-4/8		36
A15J2		1							36
A15L1	A15N2	1-01 *	T14		1				37
A15L1	A15L1	1-02 *	T14S				2-6/8		37
A15L1		1							37

TC11.F RUN NAME	A/P PIN	HND288.V16(16) ORDER NAME	03/31/72 BAY ORDER	0 DRAW	RV	PG	Y	X	Z	REMARKS	24-MAY-72 LENGTH	21112 EXCEPTIONS	PAGE 5 RUN NUMBER
A15P2	A15P2	A14A1	1-01 *	T16					1		4-2/8		38
A15P2	A15P2	A15P2	1-02 *	T16S					1				38
A15S1	A15S1	A14P1	1-01 *	T15					1		3-0/8		39
A15S1	A15S1	A15S1	1-02 *	T15S					1				39
A15V2	A15V2	A14C1	1-01 *	T16					1		4-4/8		40
A15V2	A15V2	A15V2	1-02 *	T16S					1				40
A17E1	A17E1	A16D2	1-01 *	T16					1		2-4/8		41
A17E1	A17E1	A17E1	1-02 *	T16S					1				41
A17J2	A17J2	A16S1	1-01 *	T16					1		3-4/8		42
A17J2	A17J2	A17J2	1-02 *	T16S					1				42
A17L1	A17L1	A16F2	1-01 *	T16					1		3-0/8		43
A17L1	A17L1	A17L1	1-02 *	T16S					1				43
A17P2	A17P2	A16C1	1-01 *	T16					1		4-0/8		44
A17P2	A17P2	A17P2	1-02 *	T16S					1				44
A17S1	A17S1	A16N2	1-01 *	T16					1		2-6/8		45
A17S1	A17S1	A17S1	1-02 *	T16S					1				45
A17V2	A17V2	A16K1	1-01 *	T16					1		3-6/8		46
A17V2	A17V2	A17V2	1-02 *	T16S					1				46
A18D2	A18D2	A18D2	1-01 *	T12S					1		2-6/8		47
A18D2	A18D2	A19A1	1-02 *	T12					1				47
A18E2	A18E2	A18E2	1-01 *	T12S					1		2-6/8		48
A18E2	A18E2	A19D1	1-02 *	T12					1				48
A18F2	A18F2	A18F2	1-01 *	T12S					1		2-6/8		49
A18F2	A18F2	A19J1	1-02 *	T12					1				49

TC11.F RUN NAME	A/P PIN	HND288.V16(16) ORDER NAME	03/31/72 BAY ORDER	0 DRAW	RV	PG	Y	X	Z	REMARKS	24-MAY-72 LENGTH	21112 EXCEPTIONS	PAGE 6 RUN NUMBER
A18H2	A18H2	A18H2	1-01 *	T12S					1		3-0/8		50
A18H2	A18H2	A19L1	1-02 *	T12					1				50
A18J2	A18J2	A18J2	1-01 *	T12S					1		2-6/8		51
A18J2	A18J2	A19F1	1-02 *	T12					1				51
A18L2	A18L2	A18L2	1-01 *	T12S					1		2-6/8		52
A18L2	A18L2	A19K2	1-02 *	T12					1				52
A18M2	A18M2	A18M2	1-01 *	T12S					1		3-0/8		53
A18M2	A18M2	A19H2	1-02 *	T12					1				53
A18N2	A18N2	A18N2	1-01 *	T12S					1		3-4/8		54
A18N2	A18N2	A19E2	1-02 *	T12					1				54
A21J2	A21J2	A21D2	1-01 *	T12					2		5-6/8		55
A21J2	A21J2	A21J2	1-02 *	T12S					2				55
A21J2	A21J2	A22F2	1-03 *	T12					1		5-6/8		55
A21K2	A21K2	A21E2	1-01 *	T12					2		5-6/8		56
A21K2	A21K2	A21K2	1-02 *	T12S					2				56
A21K2	A21K2	A22H2	1-03 *	T12					1		5-6/8		56
A23J2	A23J2	A23D2	1-01 *	T12					2		5-6/8		57
A23J2	A23J2	A23J2	1-02 *	T12S					2				57
A23J2	A23J2	A22N2	1-03 *	T12					1		5-6/8		57
A23K2	A23K2	A23E2	1-01 *	T12					2		5-6/8		58
A23K2	A23K2	A23K2	1-02 *	T12S					2				58
A23K2	A23K2	A22P2	1-03 *	T12					1		5-6/8		58
ADRS TO BUS	ADRS TO BUS	B08S1	1-01 *	T11					2		6-6/8		59
ADRS TO BUS	ADRS TO BUS	B08N1	1-02 *	T11					2				59
ADRS TO BUS	ADRS TO BUS	B08B1	1-03 *	T08S					1				59

TC11.F RUN NAME	A/P PIN	HND289.V16(16) NAME	03/31/72 ORDER	BAY ORDER	Q DRAW	RV PG	Y Y	X X	Z Z	REMARKS	24-MAY-72 LENGTH	21112 EXCEPTIONS	PAGE 9 RUN NUMBER
B13V2		B13V2		1-01 *		T04S			1				82
B13V2		C29B1		1-02 *							7-2/8		82
B15E1		B14D2		1-01 *		T15			1				83
B15E1		B15E1		1-02 *		T15S					2-4/8		83
B15J2		B14S1		1-01 *		T15			1				84
B15J2		B15J2		1-02 *		T15S					3-4/8		84
B15L1		B14F2		1-01 *		T15			1				85
B15L1		B15L1		1-02 *		T15S					3-0/8		85
B15P2		B14C1		1-01 *		T15			1				86
B15P2		B15P2		1-02 *		T15					4-0/8		86
B15S1		B14N2		1-01 *		T15S			1				87
B15S1		B15S1		1-02 *		T15S					2-6/8		87
B15V2		B14K1		1-01 *		T15			1				88
B15V2		B15V2		1-02 *		T15S					3-6/8		88
B17E1		B16D2		1-01 *		T14			1				89
B17E1		B17E1		1-02 *		T14S					2-4/8		89
B17J2		B16S1		1-01 *		T14			1				90
B17J2		B17J2		1-02 *		T14S					3-4/8		90
B17L1		B16F2		1-01 *		T14			1				91
B17L1		B17L1		1-02 *		T14S					3-0/8		91
B17P2		B16C1		1-01 *		T14			1				92
B17P2		B17P2		1-02 *		T14S					4-0/8		92
B17S1		B16N2		1-01 *		T14			1				93
B17S1		B17S1		1-02 *		T14S					2-6/8		93

TC11.F RUN NAME	A/P PIN	HND289.V16(16) NAME	03/31/72 ORDER	BAY ORDER	Q DRAW	RV PG	Y Y	X X	Z Z	REMARKS	24-MAY-72 LENGTH	21112 EXCEPTIONS	PAGE 10 RUN NUMBER
B17V2		B16K1		1-01 *		T14			1				94
B17V2		B17V2		1-02 *		T14S					3-6/8		94
B18U2		B18U2		1-01 *		T03S			1				95
B18U2		D13P2		1-02 *							8-2/8		95
B19D2		B19D2		1-01 *		T12S			1				96
B19D2		B19E2		1-02 *		T12							96
B19D2		B12P1		1-03 *		T12					9-0/8		96
B20J2		A22V2		1-01 *		T12			1				97
B20J2		B20D2		1-02 *		T12							97
B20J2		B20J2		1-03 *		T12S			2		6-4/8		97
B20K2		B20K2		1-01 *		T12S			2				98
B20K2		B20E2		1-02 *		T12			1				98
B20K2		B22D2		1-03 *		T12					6-2/8		98
B21J2		B21D2		1-01 *		T12			2				99
B21J2		B21J2		1-02 *		T12S			1				99
B21J2		B22H2		1-03 *		T12					5-4/8		99
B21K2		B21E2		1-01 *		T12			2				100
B21K2		B21K2		1-02 *		T12S			1				100
B21K2		B22J2		1-03 *		T12					5-6/8		100
B23J2		B23D2		1-01 *		T12			2				101
B23J2		B23J2		1-02 *		T12S			1				101
B23J2		B22N2		1-03 *		T12					5-6/8		101
B23K2		B23E2		1-01 *		T12			2				102
B23K2		B23K2		1-02 *		T12S			1				102
B23K2		B22P2		1-03 *		T12					5-6/8		102
B24D1		B24D1		1-01 *		T24S			1				103
B24D1		C24B1		1-02 *		T24					4-4/8		103

TC11.F RUN NAME	A/P PIN	HND288.V15(16) NAME	03/31/72 ORDER	0 DRAW	RV	PG	Y	X	Z	REMARKS	24-MAY-72 LENGTH	21112 EXCEPTIONS	PAGE 13 RUN NUMBER
B006	H	A05K1	1-01 *	T135					1				123
B006	H	A06J1	1-02 *	T13					2				123
B006	H	A07U1	1-03 *	T21S/T22S					1				123
B006	H	A12P1	1-04 *	T14					2				123
B006	H	A13U2	1-05 *	T16					1				123
B006	H	B13M2	1-06 *	T10					1		18-6/8		123
B006	L	A06K1	1-01 *	T138					1				124
B006	L	B13L2	1-02 *	T10					1		7-4/8		124
B007	H	A05L2	1-01 *	T135					2				125
B007	H	A07M2	1-02 *	T21S/T22S					1				125
B007	H	A13M1	1-03 *	T13					1		8-2/8		125
B008	H	A12A1	1-01 *	T14					1				126
B008	H	A13E1	1-02 *	T14					2				126
B008	H	A05M1	1-03 *	T135					1				126
B008	H	B07F1	1-04 *	T21S/T22S					2				126
B008	H	D04D1	1-05 *	T13					1				126
B008	H	D04H1	1-06 *	T04					1		25-6/8		126
B008	L	D04F2	1-01 *	T135					1				127
B008	L	D04K2	1-02 *	T04					1		2-6/8		127
B009	H	A13R2	1-01 *	T16					2				128
B009	H	A12V1	1-02 *	T11					1				128
B009	H	A07V2	1-03 *	T21S/T22S					2				128
B009	H	A05N2	1-04 *	T135					1				128
B009	H	D04N2	1-05 *	T04					2				128
B009	H	D04V1	1-06 *	T04					1		25-2/8		128
B010	H	A12B1	1-01 *	T11					2				129
B010	H	A13J2	1-02 *	T15					1				129
B010	H	A05P1	1-03 *	T135					2				129
B010	H	B07E2	1-04 *	T21S/T22S					1				129
B010	H	D04R2	1-05 *	T04					2				129
B010	H	D04V2	1-06 *	T04					1		27-2/8		129

TC11.F RUN NAME	A/P PIN	HND288.V15(16) NAME	03/31/72 ORDER	0 DRAW	RV	PG	Y	X	Z	REMARKS	24-MAY-72 LENGTH	21112 EXCEPTIONS	PAGE 14 RUN NUMBER
B011	H	A13B1	1-01 *	T14					1				130
B011	H	A11P1	1-02 *	T11					2				130
B011	H	A07U1	1-03 *	T13					1				130
B011	H	A07J2	1-04 *	T21S/T22S					2				130
B011	H	A05R2	1-05 *	T135					1				130
B011	H	D04D1	1-06 *	T04					1		23-6/8		130
B011	L	A05V1	1-01 *	T135					1				131
B011	L	D04E1	1-02 *	T04					1		9-6/8		131
B012	H	A17D1	1-01 *	T16					1				132
B012	H	A12U1	1-02 *	T11					2				132
B012	H	A05S1	1-03 *	T135					1				132
B012	H	B07L2	1-04 *	T21S/T22S					1		16-6/8		132
B013	H	B07F2	1-01 *	T21S/T22S					2				133
B013	H	A05T2	1-02 *	T135					1				133
B013	H	A14M2	1-03 *	T11					2				133
B013	H	B15D1	1-04 *	T13					2		14-6/8		133
B014	H	A05U1	1-01 *	T135					2				134
B014	H	B07N1	1-02 *	T21S/T22S					1		12-6/8		134
B014	H	B17O1	1-03 *	T14					1				134
B015	H	A13N2	1-01 *	T16					2				135
B015	H	A05V2	1-02 *	T135					1				135
B015	H	A06U2	1-03 *	T13					2				135
B015	H	B07M1	1-04 *	T21S/T22S					1		14-4/8		135
B015	L	A05V2	1-01 *	T135					1				136
B015	L	D05U2	1-02 *	T03					1		10-2/8		136
B0C LO	H	B12P2	1-01 *	T08					1				137
B0C LO	H	A06J2	1-02 *	T08S					1		7-0/8		137
B0C LO	H	B05E1	1-01 *	T20S					1				138
B0C IN	H	C05U2	1-02 *						1		6-4/8		138

TC11.F
RUN NAME

HND288.V15(16) 03/31/72
A/P PIN NAME ORDER BAY PIN

Q DRAW RV PG Y X Z REMARKS

24-MAY-72 LENGTH EXCEPTIONS

2112 PAGE 19
RUN NUMBER

BUS BR4	L	B01D2	1-01 *	T20S	2						174
BUS BR4	L	B02D2	1-02 *	T20S	1						174
BUS BR4	L	C04H2	1-03 *	T20			8-4/8				174
BUS BR5	L	B01C1	1-01 *	T20S	2						175
BUS BR5	L	B02C1	1-02 *	T20S	1						175
BUS BR5	L	C05F2	1-03 *	T20			8-6/8				175
BUS BR6	L	A01U2	1-01 *	T20S	2						176
BUS BR6	L	A02U2	1-02 *	T20S	1						176
BUS BR6	L	C05E2	1-03 *	T20S			9-4/8				176
BUS BR7	L	A01T2	1-01 *	T20S	2						177
BUS BR7	L	A02T2	1-02 *	T20S	1						177
BUS BR7	L	C05D2	1-03 *	T20			9-4/8				177
BUS BR7	L	C05D2	1-03 *	T20							177
BUS C0	L	B01U2	1-01 *	T20S	2						178
BUS C0	L	B02U2	1-02 *	T20S	1						178
BUS C0	L	B05J2	1-03 *	T19			6-6/8				178
BUS C1	L	B01T2	1-01 *	T20S	2						179
BUS C1	L	B02T2	1-02 *	T20S	1						179
BUS C1	L	B05P2	1-03 *	T19							179
BUS C1	L	B05D1	1-04 *	T06S	2		10-0/8				179
BUS D00	L	A01C1	1-01 *	T20S	2						180
BUS D00	L	A02C1	1-02 *	T20S	1						180
BUS D00	L	A04A1	1-03 *	T13S	2						180
BUS D00	L	A05A1	1-04 *	T13			9-0/8				180
BUS D01	L	A01D2	1-01 *	T20S	2						181
BUS D01	L	A02D2	1-02 *	T20S	1						181
BUS D01	L	A04C1	1-03 *	T13S	2						181
BUS D01	L	A05C1	1-04 *	T13			8-4/8				181

TC11.F
RUN NAME

HND288.V15(16) 03/31/72
A/P PIN NAME ORDER BAY PIN

Q DRAW RV PG Y X Z REMARKS

24-MAY-72 LENGTH EXCEPTIONS

2112 PAGE 20
RUN NUMBER

BUS D02	L	A01D1	1-01 *	T20S	2						182
BUS D02	L	A02D1	1-02 *	T20S	1						182
BUS D02	L	A04D1	1-03 *	T13S	2						182
BUS D02	L	A05D1	1-04 *	T13							182
BUS D02	L	B05E2	1-05 *	T19S	1		14-0/8				182
BUS D03	L	A01E2	1-01 *	T20S	2						183
BUS D03	L	A02E2	1-02 *	T20S	1						183
BUS D03	L	A04E2	1-03 *	T13S	2						183
BUS D03	L	A05E2	1-04 *	T13							183
BUS D03	L	B05L1	1-05 *	T19S	1		14-4/8				183
BUS D04	L	A01E1	1-01 *	T20S	2						184
BUS D04	L	A02E1	1-02 *	T20S	1						184
BUS D04	L	A04F1	1-03 *	T13S	2						184
BUS D04	L	A05F1	1-04 *	T13							184
BUS D04	L	B05N2	1-05 *	T19S	1		15-0/8				184
BUS D05	L	A01F2	1-01 *	T20S	2						185
BUS D05	L	A02F2	1-02 *	T20S	1						185
BUS D05	L	A04H2	1-03 *	T13S	2						185
BUS D05	L	A05H2	1-04 *	T13							185
BUS D05	L	B05F1	1-05 *	T19S	1		13-6/8				185
BUS D06	L	A01F1	1-01 *	T20S	2						186
BUS D06	L	A02F1	1-02 *	T20S	1						186
BUS D06	L	A04J1	1-03 *	T13S	2						186
BUS D06	L	A05J1	1-04 *	T13							186
BUS D06	L	B05P2	1-05 *	T19S	1		14-0/8				186
BUS D07	L	A01H2	1-01 *	T20S	2						187
BUS D07	L	A02H2	1-02 *	T20S	1						187
BUS D07	L	A04K2	1-03 *	T13S	2						187
BUS D07	L	A05K2	1-04 *	T13							187
BUS D07	L	B05M1	1-05 *	T19S	1		14-0/8				187

TC11.F RUN NAME	HND288.V16(16) 03/31/72 A/P PIN NAME	ORDER PIN	BAY ORDER	Q	DRAM RV PG Y	X	Z	REMARKS	24-MAY-72 LENGTH	21112 EXCEPTIONS	PAGE 23 RUN NUMBER
BUS PB	A01N2		1-01 *		T20S		1				204
BUS PB	A02N2		1-02 *		T20S		1				204
BUS PB			1						2-6/8		204
BUS REQUEST	B05P1		1-01 *		T20		1				205
BUS REQUEST	C05J2		1-02 *				1		4-4/8		205
BUS REQUEST			1								205
BUS SACK	A01R2		1-01 *		T20S		2				206
BUS SACK	A02R2		1-02 *		T20S		1				206
BUS SACK	B05T2		1-03 *		T19S		1				206
BUS SACK			1						8-6/8		206
BUS SSSYN	A06D1		1-01 *		T08		2				207
BUS SSSYN	B09K1		1-02 *		T08S		1				207
BUS SSSYN	B02U1		1-03 *		T20S		2				207
BUS SSSYN	B01U1		1-04 *		T20S		2				207
BUS SSSYN			1						14-4/8		207
BUS TO DAT	B17C1		1-01 *		T14		1				208
BUS TO DAT	B15C1		1-02 *		T15		1				208
BUS TO DAT	A15M2		1-03 *		T16		1				208
BUS TO DAT	A17C1		1-04 *		T16		1				208
BUS TO DAT	A15C2		1-05 *		T14		1				208
BUS TO DAT	A15D2		1-06 *		T14		1				208
BUS TO DAT	A15AD1		1-07 *		T14		1				208
BUS TO DAT	A15AH2		1-08 *		T15		1				208
BUS TO DAT	A15AH1		1-09 *		T14		1				208
BUS TO DAT	A15J1		1-10 *		T15		1				208
BUS TO DAT	A15J2		1-11 *		T15		1				208
BUS TO DAT	A15B1		1-12 *		T15		1				208
BUS TO DAT	A15B2		1-13 *		T15		1				208
BUS TO DAT	A15T2		1-14 *		T16		1				208
BUS TO DAT	B15A1		1-15 *		T16		1				208
BUS TO DAT	B15D1		1-16 *		T16		1				208
BUS TO DAT	C15S1		1-17 *		T09S		1				208
BUS TO DAT			1						53-0/8		208
BUS TO MAINT	A11B1		1-01 *		T10		1				209
BUS TO MAINT	B12K1		1-02 *		T09S		1				209
BUS TO MAINT	B13M2		1-03 *		T10		1				209
BUS TO MAINT	B13J2		1-04 *		T10		1				209
BUS TO MAINT			1						12-2/8		209

TC11.F RUN NAME	HND288.V16(16) 03/31/72 A/P PIN NAME	ORDER PIN	BAY ORDER	Q	DRAM RV PG Y	X	Z	REMARKS	24-MAY-72 LENGTH	21112 EXCEPTIONS	PAGE 24 RUN NUMBER
BUS TO RWB	B12N1		1-01 *		T09S		2				210
BUS TO RWB	C17E1		1-02 *		T06		1				210
BUS TO RWB	C17J1		1-03 *		T06		2				210
BUS TO RWB	C17E2		1-04 *		T06		1				210
BUS TO RWB			1						11-0/8		210
BUS TO TCBA	B07R1		1-01 *		T21		2				211
BUS TO TCBA	B07V2		1-02 *		T21		1				211
BUS TO TCBA	C06M2		1-03 *		T09S		1				211
BUS TO TCBA			1						7-2/8		211
BUS TO TCCM	A12K2		1-01 *		T11		2				212
BUS TO TCCM	A12S1		1-02 *		T11		1				212
BUS TO TCCM	C11E1		1-03 *		T09S		1				212
BUS TO TCCM			1						9-6/8		212
BUS TO TCCM+1	A12F2		1-01 *		T11		2				213
BUS TO TCCM+1	A11L2		1-02 *		T11		1				213
BUS TO TCCM+1	A11N1		1-03 *		T11		2				213
BUS TO TCCM+1	C11F2		1-04 *		T09S		1				213
BUS TO TCCM+1	D06T2		1-05 *		T03		1				213
BUS TO TCCM+1			1						20-2/8		213
BUS TO TCWC	A07E2		1-01 *		T22		1				214
BUS TO TCWC	B07S1		1-02 *		T22		2				214
BUS TO TCWC	C06H2		1-03 *		T09S		1				214
BUS TO TCWC			1						10-6/8		214
BUS TO XDAT	A15C1		1-01 *		T14		2				215
BUS TO XDAT	A15P1		1-02 *		T15		1				215
BUS TO XDAT	B12K2		1-03 *		T09S		1				215
BUS TO XDAT			1						8-6/8		215
C0(0)	C13B1		1-01 *		T06		1				216
C0(0)	C13H1		1-02 *		T06		2				216
C0(0)	C13N1		1-03 *		T06		1				216
C0(0)	D19M2		1-04 *		T03		1				216
C0(0)	D19V2		1-05 *		T028		1				216
C0(0)	D29K2		1-06 *		T04		1				216
C0(0)	D22A1		1-07 *		T05		1				216
C0(0)			1						25-2/8		216

TC11.F R0N NAME	A/P PIN	HND288.V16(16) ORDER PIN	03/31/72 BAY ORDER	Q DRAW RV	PG Y	X	Z	REMARKS	24-MAY-72 LENGTH	21112 EXCEPTIONS	PAGE 25 RUN NUMBER
C0(1)	H	C22C1	1-01 *	T02			1		22-4/8		217
C0(1)	H	C22E2	1-02 *	T02			2				217
C0(1)	H	C23K2	1-03 *	T03			1				217
C0(1)	H	C24K1	1-04 *	T02			2				217
C0(1)	H	C25M2	1-05 *	T02			1				217
C0(1)	H	C26R1	1-06 *	T02			1				217
C0(1)	H	C27T2	1-07 *	T02			1				217
C0(1)	H	D19U2	1-08 *	T02S			1				217
C04A1		C04A1	1-01 *	T09			1				218
C04A1		C04C1	1-02 *	T08			1		2-4/8		218
C04A1			1								219
C04D2		C04D2	1-01 *				1				219
C04D2		C04D1	1-02 *						2-4/8		219
C04D2			1								219
C04K1		C04K1	1-01 *	T08S			2				220
C04K1		C07S1	1-02 *	T08			1				220
C04K1		C04U1	1-03 *	T08					5-4/8		220
C04K1			1								220
C04V1		C04P1	1-01 *				1				221
C04V1		C04V1	1-02 *						3-0/8		221
C04V1			1								221
C06L2		C06L2	1-01 *	T02S			1				222
C06L2		D19A1	1-02 *	T02					9-2/8		222
C06L2			1								222
C06M1		C06M1	1-01 *	T02S			1				223
C06M1		D19D1	1-02 *	T02					9-6/8		223
C06M1			1								223
C06U1		C07U2	1-01 *	T09			2				224
C06U1		C06U1	1-02 *	T09S			1				224
C06U1		C09E1	1-03 *	T09					7-4/8		224
C06U1			1								224
C07F2		C06C1	1-01 *	T09			1				225
C07F2		C07F2	1-02 *	T09S					3-4/8		225
C07F2			1								225
C07K1		B12M1	1-01 *	T09			1				226
C07K1		C07K1	1-02 *	T09S					5-6/8		226
C07K1			1								226

TC11.F R0N NAME	A/P PIN	HND288.V16(16) ORDER PIN	03/31/72 BAY ORDER	Q DRAW RV	PG Y	X	Z	REMARKS	24-MAY-72 LENGTH	21112 EXCEPTIONS	PAGE 26 RUN NUMBER
C07K2		C08N1	1-01 *	T08			1				227
C07K2		C07K2	1-02 *	T08S					3-2/8		227
C07K2			1								227
C07N1		B12L2	1-01 *	T19			1				228
C07N1		C07N1	1-02 *	T19S					6-2/8		228
C07N1			1								228
C07N2		C07N2	1-01 *	T02S			1				229
C07N2		D19F2	1-02 *	T02					9-2/8		229
C07N2			1								229
C07S2		C07E2	1-01 *	T09			1				230
C07S2		C07S2	1-02 *	T09S					3-4/8		230
C07S2			1								230
C07V2		C07V2	1-01 *	T09S			1				231
C07V2		D17U2	1-02 *	T09					8-2/8		231
C07V2			1								231
C08D1		C08D1	1-01 *	T09S			1				232
C08D1		C11E2	1-02 *	T09					4-0/8		232
C08D1			1								232
C08J1		C08J1	1-01 *	T09S			1				233
C08J1		C11D1	1-02 *	T09					4-0/8		233
C08J1			1								233
C08N1		B12H2	1-01 *	T09			2				234
C08N1		B12J1	1-02 *	T09			1				234
C08N1		B12L1	1-03 *	T09			2				234
C08N1		C08N1	1-04 *	T09S					11-0/8		234
C08N1			1								234
C08S2		C08V1	1-01 *	T09			1				235
C08S2		C08S2	1-02 *	T09S					3-6/8		235
C08S2			1								235
C08U1		C08U1	1-01 *	T08S			1				236
C08U1		C10N2	1-02 *	T08					4-0/8		236
C08U1			1								236
C08V1		C10N1	1-01 *	T09			1				237
C08V1		C10M1	1-02 *	T09							237
C08V1		C08V1	1-03 *	T09S			2				237
C08V1			1						6-0/8		237

TC11.F RUN NAME	HND288-V16(16) 03/31/72 A/P PIN ORDER NAME	Q	DRAM RV PG Y	X	Z	REMARKS	24-MAY-72 LENGTH	2112 EXCEPTIONS	PAGE 31 RUN NUMBER
C28V2	C19K1 C28V2	1-01 *	T05		1				279
C28V2	C28V2	1-02 *	T05S				3-6/8		279
C28V2		1							
C21D1	C10K2 C10L2 C21D1	1-01 *	T08		1				280
C21D1		1-02 *	T08		2				280
C21D1		1-03 *	T08S				10-4/8		280
C21D1		1							280
C21J1	C10M2 C21J1	1-01 *	T08		1				281
C21J1		1-02 *	T08S				8-0/8		281
C21J1		1							281
C21N1	C20R1 C21N1	1-01 *	T02		1				282
C21N1		1-02 *	T02S				3-0/8		282
C21N1		1							282
C21V1	A14F2 C21V1	1-01 *	T03		1				283
C21V1		1-02 *	T03S				10-4/8		283
C21V1		1							283
C23E1	C17J2 C23E1	1-01 *	T04		1				284
C23E1		1-02 *	T04S				5-2/8		284
C23E1		1							284
C23J2	C23J2 D22H2	1-01 *	T02S		1				285
C23J2		1-02 *	T02				5-2/8		285
C23J2		1							285
C23L1	C07M2 C23L1	1-01 *	T02		1				286
C23L1		1-02 *	T02S				10-2/8		286
C23L1		1							286
C23S1	C23E2 C23S1	1-01 *	T02		1				287
C23S1		1-02 *	T02S				3-6/8		287
C23S1		1							287
C28	C20E2 C21M1	1-01 *	T02		2				288
C28		1-02 *	T02		1				288
C28	D10R2	1-03 *	T07		2				288
C28	D10U1	1-04 *	T02S						288
C28		1					13-2/8		288
C3(0)	C22A1 C22L2	1-01 *	T02S		1				289
C3(0)		1-02 *	T02				3-6/8		289
C3(0)		1							289

TC11.F RUN NAME	HND288-V16(16) 03/31/72 A/P PIN ORDER NAME	Q	DRAM RV PG Y	X	Z	REMARKS	24-MAY-72 LENGTH	2112 EXCEPTIONS	PAGE 32 RUN NUMBER
C3(1)	C23J2	1-01 *	T02S		2				290
C3(1)	C19P1	1-02 *	T05		1				290
C3(1)	C19S	1-03 *	T05		1				290
C3(1)	D17E2	1-04 *	T07		2				290
C3(1)	D15E2	1-05 *	T05		1				290
C3(1)	D18P1	1-06 *	T03						290
C3(1)	C09L2	1-07 *	T02				25-4/8		290
C3(1)		1							290
CLEAR BUS	B06P2	1-01 *	T08S		2				291
CLEAR BUS	C07M2	1-02 *	T08		1				291
CLEAR BUS	C21A1	1-03 *	T08				13-6/8		291
CLEAR BUS		1							291
CLEAR BUS	B06N2 B11J1	1-01 *	T08S		1				292
CLEAR BUS		1-02 *	T08				4-6/8		292
CLEAR BUS		1							292
CLEAR DAT	A10D1	1-01 *	T16		2				293
CLEAR DAT	A10D1	1-02 *	T16		1				293
CLEAR DAT	A10M2	1-03 *	T16		2				293
CLEAR DAT	A10L1	1-04 *	T16		1				293
CLEAR DAT	A10P2	1-05 *	T16		2				293
CLEAR DAT	A10T2	1-06 *	T16		1				293
CLEAR DAT	B10D1	1-07 *	T14		2				293
CLEAR DAT	B10M2	1-08 *	T14		1				293
CLEAR DAT	B10L1	1-09 *	T14		2				293
CLEAR DAT	B10P2	1-10 *	T14		1				293
CLEAR DAT	B10T2	1-11 *	T14		2				293
CLEAR DAT	B10M2	1-12 *	T15		1				293
CLEAR DAT	B10P2	1-13 *	T15		2				293
CLEAR DAT	B10D1	1-14 *	T15		1				293
CLEAR DAT	B10L1	1-15 *	T15		2				293
CLEAR DAT	B10T1	1-16 *	T15		1				293
CLEAR DAT	C11H1	1-17 *	T09S				49-0/8		293
CLEAR DAT		1							293
CLEAR RWB2=0	C09J1	1-01 *	T09S		1				294
CLEAR RWB2=0	C10K2	1-02 *	T06				5-0/8		294
CLEAR RWB2=0		1							294
CLEAR XDAT	A10P2	1-01 *	T14		1				295
CLEAR XDAT	A10T2	1-02 *	T15		2				295
CLEAR XDAT	C09S1	1-03 *	T09S				10-6/8		295
CLEAR XDAT		1							295

TC11.F RUN NAME	HND288.V16(16) A/P PIN NAME	03/31/72 ORDER PIN	BAY - ORDER	0 DRAW RV PG Y	X	Z	REMARKS	24-MAY-72 LENGTH	21112 EXCEPTIONS	PAGE 34 RUN NUMBER
CLK(0)	A14N1		1-01 *	T105						296
CLK(0)	A14K1		1-02 *	T10						296
CLK(0)	A15T2		1-03 *							296
CLK(0)	D05A1		1-04 *							296
CLK(1)	A14M1		1-01 *	T108				5-4/8		297
CLK(1)	B09D1		1-02 *	T18						297
CLOCK DAT	B16R1		1-01 *	T14						298
CLOCK DAT	B16M2		1-02 *	T14						298
CLOCK DAT	B16J1		1-03 *	T14						298
CLOCK DAT	B14E2		1-04 *	T14						298
CLOCK DAT	B14B1		1-05 *	T14						298
CLOCK DAT	A15R1		1-06 *	T16						298
CLOCK DAT	A15M2		1-07 *	T16						298
CLOCK DAT	A15J1		1-08 *	T16						298
CLOCK DAT	A15E2		1-09 *	T16						298
CLOCK DAT	A15B1		1-10 *	T16						298
CLOCK DAT	A14R1		1-11 *	T16						298
CLOCK DAT	A14M2		1-12 *	T16						298
CLOCK DAT	A14J1		1-13 *	T15						298
CLOCK DAT	B17B1		1-14 *	T15						298
CLOCK DAT	B14E2		1-15 *	T15						298
CLOCK DAT	B14J1		1-16 *	T15						298
CLOCK DAT	B14M2		1-17 *	T15						298
CLOCK DAT	B14R1		1-18 *	T15						298
CLOCK DAT	B15R1		1-19 *	T08						298
CLOCK DAT	C15P2		1-07 *	T07				5-5/8		299
CLPB	C15B1		1-01 *	T06						299
CLPB	C15D2		1-02 *	T06						299
CLPB	C15H1		1-03 *	T06						299
CLPB	C15N1		1-04 *	T06						299
CLPB	C15S2		1-05 *	T06						299
CLPB	C15L2		1-06 *	T06						299
CLPB	C15L1		1-07 *	T07				19-4/8		299
CON ALL HALT	A19T2		1-01 *	T12						300
CON ALL HALT	A20J1		1-02 *	T12				3-4/8		300
CON FWD REM	A19U1		1-01 *	T12						301
CON FWD REM	A20M1		1-02 *	T12				3-6/8		301
CON GO	A19S1		1-01 *	T12						302
CON GO	A20D1		1-02 *	T12				4-0/8		302
CON POWER UP DLY	A19V2		1-01 *	T12						303
CON POWER UP DLY	A20L1		1-02 *	T12				3-4/8		303
CON REV REM	A19R2		1-01 *	T12						304
CON REV REM	A20E1		1-02 *	T12				3-4/8		304
CON STOP	A19P1		1-01 *	T12						305
CON STOP	A20B1		1-02 *	T12				4-0/8		305
D04A1	A08F2		1-01 *	T04						306
D04A1	B11N2		1-02 *	T04						306
D04A1	D04B1		1-03 *	T04						306
D04A1	D07A1		1-04 *	T04				17-0/8		306
D04K1	D04P2		1-01 *	T04						307
D04K1	D04P1		1-02 *	T04						307
D04K1	D07K1		1-03 *	T04				5-2/8		307
D04T2	D04S1		1-01 *	T04						308
D04T2	D04S2		1-02 *	T04						308
D04T2	D07T2		1-03 *	T04				5-0/8		308
D05A1	D05A1		1-01 *	T04						309
D05A1	D05C1		1-02 *	T04				2-4/8		309
D05D1	D05D1		1-01 *	T04						310
D05D1	D05D2		1-02 *	T04				2-4/8		310
D05F2	C23A1		1-01 *	T04						311
D05F2	D05F2		1-02 *	T04				12-4/8		311
D05M2	D05M2		1-01 *	T04						312
D05M2	D05R2		1-02 *	T04				2-6/8		312

TC11.F RUN NAME	A/P PIN NAME	HND288.V16(16) ORDER PIN	03/31/72 BAY ORDER	0 DRAW RV PG Y	X	Z	REMARKS	24-MAY-72 LENGTH	21112 EXCEPTIONS	PAGE 37 RUN NUMBER
D14H2	B49T2		1-01 *	T04		1		7-0/8		335
D14H2	D14H2		1-02 *	T04S						335
D14H2			1							335
D14M2	D14M2		1-01 *	T04S		1		2-4/8		336
D14M2	D14M2		1-02 *	T04						336
D14M2			1							336
D14P1	D14P1		1-01 *	T04S		1		3-0/8		337
D14P1	D14P1		1-02 *	T04						337
D14P1			1							337
D12V2	C21T2		1-01 *	T03		1		8-0/8		338
D12V2	D12V2		1-02 *	T03S						338
D12V2			1							338
D13N1	D13N1									339
D13N2	D13N2		1-01 *	T03S		1		4-0/8		340
D13N2	D13N2		1-02 *	T03						340
D13N2			1							340
D13S1	A14E2		1-01 *	T03		1		12-0/8		341
D13S1	D13S1		1-02 *	T03S						341
D13S1			1							341
D14D1	C10P1		1-01 *	T07		1		8-0/8		342
D14D1	C10J1		1-02 *	T07						342
D14D1	D14D1		1-03 *	T07S		2				342
D14D1			1							342
D14M2	D14M2		1-01 *	T03S		1		5-6/8		343
D14M2	D14M2		1-02 *	T03						343
D14M2			1							343
D14J1	C10K1		1-01 *	T07		1		8-4/8		344
D14J1	C10K1		1-02 *	T07						344
D14J1	D14J1		1-03 *	T07S		2				344
D14J1			1							344
D14M2	D14M2		1-01 *	T07S		1		6-4/8		345
D14M2	C19J2		1-02 *	T07						345
D14M2			1							345
D14U1	D07T2		1-01 *	T03		1		5-4/8		346
D14U1	D14U1		1-02 *	T03S						346
D14U1			1							346

TC11.F RUN NAME	A/P PIN NAME	HND288.V16(16) ORDER PIN	03/31/72 BAY ORDER	0 DRAW RV PG Y	X	Z	REMARKS	24-MAY-72 LENGTH	21112 EXCEPTIONS	PAGE 38 RUN NUMBER
D14V1	B14M2		1-01 *	T04		1		9-0/8		347
D14V1	D14V1		1-02 *	T04S						347
D14V1			1							347
D15J2	C11N1		1-01 *	T05		1		5-4/8		348
D15J2	D15J2		1-02 *	T05S						348
D15J2			1							348
D16J2	C10P2		1-01 *	T07		1		4-6/8		349
D16J2	D16J2		1-02 *	T07S						349
D16J2			1							349
D16R2	D16R2		1-01 *	T02S		1		3-4/8		350
D16R2	D16R2		1-02 *	T02						350
D16R2			1							350
D17E1	D12U2		1-01 *	T03		1		5-2/8		351
D17E1	D17E1		1-02 *	T03S						351
D17E1			1							351
D17J2	D10H2		1-01 *	T07		1		3-0/8		352
D17J2	D17J2		1-02 *	T07S						352
D17J2			1							352
D17L1	C11F1		1-01 *	T09		1		6-6/8		353
D17L1	D17L1		1-02 *	T09S						353
D17L1			1							353
D17P2	D12M2		1-01 *	T04		1		5-0/8		354
D17P2	D17P2		1-02 *	T04S						354
D17P2			1							354
D17S1	D07J1		1-01 *	T03		1		7-4/8		355
D17S1	D17S1		1-02 *	T03S						355
D17S1			1							355
D17V2	C06A1		1-01 *	T09		1		10-2/8		356
D17V2	D17V2		1-02 *	T09S						356
D17V2			1							356
D20F2	C19E2		1-01 *	T05		1		5-4/8		357
D20F2	D20F2		1-02 *	T05S						357
D20F2			1							357
D20N1	D20N2		1-01 *	T03		1		2-4/8		358
D20N1	D20N1		1-02 *	T03S						358
D20N1			1							358

TC11, F RUN NAME	A/P PIN NAME	HND288.V15(116) 03/31/72 ORDER PIN	BAY - ORDER	Q	DRAM	RV	PG	Y	X	Z	REMARKS	24-MAY-72 LENGTH	21112 EXCEPTIONS	PAGE 39 RUN NUMBER
D20N2	B11C1		1-01 *		T03					1				359
D20N2	D20N2		1-02 *		T03B							10-6/8		359
D21F1	D07B1		1-01 *		T02					1				360
D21F1	D21F1		1-02 *		T02S							9-4/8		360
D21F2	C20M1		1-01 *		T02					1				361
D21F2	D21F2		1-02 *		T02S							4-6/8		361
D21J1	D21J1		1-01 *		T02					1				362
D21J1	D21K2		1-02 *		T02S							2-4/8		362
D21K1	D21H2		1-01 *		T02					1				363
D21K1	D21K1		1-02 *		T02S					2				363
D21K1	D19S1		1-03 *		T02							6-4/8		363
D21S2	C09P2		1-01 *		T02					1				364
D21S2	D21S2		1-02 *		T02S							9-4/8		364
D21V2	C09U2		1-01 *		T02					1				365
D21V2	D21V2		1-02 *		T02S							9-6/8		365
D22F1	D19B1		1-01 *		T02					1				366
D22F1	D22F1		1-02 *		T02S							4-0/8		366
D22F2	D22F2		1-01 *		T07S					1				367
D22F2	D22L2		1-02 *		T07							2-6/8		367
D22K1	D19E2		1-01 *		T02					1				368
D22K1	D22K1		1-02 *		T02S							3-6/8		368
D22K2	D19D2		1-01 *		T02					1				369
D22K2	D22K2		1-02 *		T02S							4-0/8		369

TC11, F RUN NAME	A/P PIN NAME	HND288.V15(116) 03/31/72 ORDER PIN	BAY - ORDER	Q	DRAM	RV	PG	Y	X	Z	REMARKS	24-MAY-72 LENGTH	21112 EXCEPTIONS	PAGE 40 RUN NUMBER
D22N1	D19M2		1-01 *		T02					1				370
D22N1	D22N1		1-02 *		T02S							3-6/8		370
D22N2	D22N2		1-01 *		T07S					1				371
D22N2	D22P1		1-02 *		T07							2-6/8		371
D22S1	C17L1		1-01 *		T07					1				372
D22S1	D22M2		1-02 *		T07					2				372
D22S1	D22S1		1-03 *		T07S							9-2/8		372
D22S2	D22S2		1-01 *							1				373
D22S2	B12U2		1-02 *									9-4/8		373
D23D2	C22D2		1-01 *		T02					1				374
D23D2	C22N1		1-02 *		T02					2				374
D23D2	C22V2		1-03 *		T02					1				374
D23D2	D23D2		1-04 *		T02S							10-2/8		374
D23F2	C20J1		1-01 *		T02					1				375
D23F2	D23F2		1-02 *		T02S							5-4/8		375
D23J2	D12R1		1-01 *		T04					1				376
D23J2	D23J2		1-02 *		T04S							8-4/8		376
D23L2	D07E1		1-01 *		T03					1				377
D23L2	D23L2		1-02 *		T03S							11-0/8		377
D23R2	C07L1		1-01 *		T19					1				378
D23R2	D23R2		1-02 *		T19S							12-0/8		378
DAT EN	C13B2		1-01 *		T06					2				379
DAT EN	C13L2		1-02 *		T06					2				379
DAT EN	C13E2		1-03 *		T06					1				379
DAT EN	C10B1		1-04 *		T06					1				379
DAT EN	C10H1		1-05 *		T06					1				379
DAT EN	C10M1		1-06 *		T06					1				379
DAT EN	D10M1		1-07 *		T05							21-0/8		379

TC11.F RUN NAME	HN0289.V16(16) 03/31/72 A/P PIN NAME ORDER PIN	BAY ORDER	Q DRAW RV PG Y	X	Z	REMARKS	24-MAY-72 LENGTH	21112 EXCEPTIONS	PAGE 41 RUN NUMBER
DAT EN	C21M2	1-01 *	T15S		1		15-6/8		380
DAT EN	C16D1	1-02 *	T06		1				380
DAT EN	C16K1	1-03 *	T06		1				380
DAT EN	C16R1	1-04 *	T06		1				380
DAT EN	D12LL1	1-05 *	T05		1				380
DAT SHIF ENB	A19F2	1-01 *	T15		1				381
DAT SHIF ENB	A19U1	1-02 *	T14		1				381
DAT SHIF ENB	A19T2	1-03 *	T16		1				381
DAT SHIF ENB	A17P1	1-04 *	T16		1				381
DAT SHIF ENB	A17U1	1-05 *	T16		1				381
DAT SHIF ENB	A17F2	1-06 *	T16		1				381
DAT SHIF ENB	A17M2	1-07 *	T16		1				381
DAT SHIF ENB	A17T2	1-08 *	T16		1				381
DAT SHIF ENB	B17U1	1-09 *	T14		1				381
DAT SHIF ENB	B17M2	1-10 *	T14		1				381
DAT SHIF ENB	B17P1	1-11 *	T14		1				381
DAT SHIF ENB	B17T2	1-12 *	T14		1				381
DAT SHIF ENB	B19M2	1-13 *	T15		1				381
DAT SHIF ENB	B19T2	1-14 *	T15		1				381
DAT SHIF ENB	B19U1	1-15 *	T15		1				381
DAT SHIF ENB	B19V1	1-16 *	T15		1				381
DAT SHIF ENB	C19H2	1-17 *	T15		1				381
DAT SHIF ENB	C19J2	1-18 *	T08		1				381
DAT SHIF ENB	C19K2	1-19 *	T08		1				381
DAT SHIF ENB	C19L2	1-20 *	T08		1				381
DAT TO BUS	A09V2	1-01 *	T17		1		58-6/8		382
DAT TO BUS	B09V2	1-02 *	T18		1				382
DAT TO BUS	C09D2	1-03 *	T09S		1				382
DAT00(0)	A19S2	1-01 *	T16		1		9-2/8		383
DAT00(0)	A19M1	1-02 *	T16S		1				383
DAT00(1)	A17H2	1-01 *	T16		2		3-0/8		383
DAT00(1)	A16N1	1-02 *	T16S		1				384
DAT00(1)	B09R1	1-03 *	T18		1		10-2/8		384
DAT01(0)	A19E2	1-01 *	T15		1		6-2/8		385
DAT01(0)	B16M1	1-02 *	T15S		1				385
DAT01(1)	B15H2	1-01 *	T15		2				386
DAT01(1)	B14N1	1-02 *	T15S		1				386
DAT01(1)	B09M2	1-03 *	T18		1		8-0/8		386
DAT02(0)	A19H1	1-01 *	T14		1		5-6/8		387
DAT02(0)	B16M1	1-02 *	T14S		1				387
DAT02(1)	B17H2	1-01 *	T14		2		9-2/8		388
DAT02(1)	B16N1	1-02 *	T14S		1				388
DAT02(1)	B09M1	1-03 *	T18		1		3-0/8		389
DAT03(1)	A19F1	1-01 *	T16S		2		10-4/8		390
DAT03(1)	A17R1	1-02 *	T16		1				390
DAT03(1)	B09U2	1-03 *	T18		1		3-0/8		391
DAT04(0)	B19E1	1-01 *	T15S		1		3-0/8		391
DAT04(0)	B19H1	1-02 *	T15		1				391
DAT04(1)	B19R1	1-01 *	T15		2		8-4/8		392
DAT04(1)	B14F1	1-02 *	T15S		1				392
DAT04(1)	B09U1	1-03 *	T18		1		3-0/8		393
DAT05(0)	B19E1	1-01 *	T14S		1		3-0/8		393
DAT05(0)	B17H1	1-02 *	T14		1				393
DAT05(1)	B17R1	1-01 *	T14		2		9-2/8		394
DAT05(1)	B16F1	1-02 *	T14S		1				394
DAT05(1)	B09E2	1-03 *	T18		1		3-2/8		394
DAT06(0)	A19U2	1-01 *	T16S		1		3-2/8		395
DAT06(0)	A17N1	1-02 *	T16		1				395

TC11 F RUN NAME	A/P	HND288.V16(16) 03/31/72 PIN ORDER BAY - NAME ORDER	Q	DRAM	RV	PG	Y	X	Z	REMARKS	24-MAY-72 LENGTH	21112 EXCEPTIONS	PAGE 43 RUN NUMBER
DAT06(1)	H	A17K1	1-01 *	T16					2				396
DAT06(1)	H	A15V2	1-02 *	T16S					1				396
DAT06(1)	H	B09E1	1-03 *	T16							10-2/8		396
DAT06(1)	H	B09E1	1										396
DAT07(0)	H	B14U2	1-01 *	T15S					1				397
DAT07(0)	H	B15N1	1-02 *	T15							3-2/8		397
DAT07(0)	H	B15N1	1										397
DAT07(1)	H	B14V2	1-01 *	T15S					2				398
DAT07(1)	H	B15K1	1-02 *	T15					1				398
DAT07(1)	H	B09E1	1-03 *	T16									398
DAT07(1)	H	B09E1	1								9-0/8		398
DAT08(0)	H	B16U2	1-01 *	T14S					1				399
DAT08(0)	H	B17N1	1-02 *	T14									399
DAT08(0)	H	B17N1	1								3-2/8		399
DAT08(1)	H	A09R1	1-01 *	T17					1				400
DAT08(1)	H	B17K1	1-02 *	T14					2				400
DAT08(1)	H	B16V2	1-03 *	T14S					1				400
DAT08(1)	H	B16V2	1								10-6/8		400
DAT09(0)	H	A16R2	1-01 *	T16S					1				401
DAT09(0)	H	A17E2	1-02 *	T16									401
DAT09(0)	H	A17E2	1								3-6/8		401
DAT09(1)	H	A16S2	1-01 *	T16S					2				402
DAT09(1)	H	A15U2	1-02 *	T16					1				402
DAT09(1)	H	A09M2	1-03 *	T17									402
DAT09(1)	H	A09M2	1								8-6/8		402
DAT10(0)	H	B14R2	1-01 *	T15S					1				403
DAT10(0)	H	B15E2	1-02 *	T15									403
DAT10(0)	H	B15E2	1								3-6/8		403
DAT10(1)	H	A09M1	1-01 *	T17					2				404
DAT10(1)	H	A15H2	1-02 *	T15					1				404
DAT10(1)	H	B14S2	1-03 *	T15S									404
DAT10(1)	H	B14S2	1								12-0/8		404
DAT11(0)	H	B16R2	1-01 *	T14S					1				405
DAT11(0)	H	B17E2	1-02 *	T14									405
DAT11(0)	H	B17E2	1								3-6/8		405

TC11 F RUN NAME	A/P	HND288.V16(16) 03/31/72 PIN ORDER BAY - NAME ORDER	Q	DRAM	RV	PG	Y	X	Z	REMARKS	24-MAY-72 LENGTH	21112 EXCEPTIONS	PAGE 44 RUN NUMBER
DAT11(1)	H	A09J2	1-01 *	T17					2				406
DAT11(1)	H	A15K1	1-02 *	T14					1				406
DAT11(1)	H	B16S2	1-03 *	T14S							11-2/8		406
DAT11(1)	H	B16S2	1										406
DAT12(0)	H	A17L2	1-01 *	T16					2				407
DAT12(0)	H	A16J2	1-02 *	T16S					1				407
DAT12(0)	H	C16M1	1-03 *	T06									407
DAT12(0)	H	C16M1	1								11-2/8		407
DAT12(1)	H	A09J1	1-01 *	T17					1				408
DAT12(1)	H	A16K2	1-02 *	T16S									408
DAT12(1)	H	A16K2	1								6-0/8		408
DAT13(0)	H	B14J2	1-01 *	T15					2				409
DAT13(0)	H	B15L2	1-02 *	T15					1				409
DAT13(0)	H	C16F1	1-03 *	T06									409
DAT13(0)	H	C16F1	1								7-4/8		409
DAT13(1)	H	A09E2	1-01 *	T17					1				410
DAT13(1)	H	B14K2	1-02 *	T15									410
DAT13(1)	H	B14K2	1								6-6/8		410
DAT14(0)	H	B17L2	1-01 *	T14					2				411
DAT14(0)	H	B16J2	1-02 *	T14S					1				411
DAT14(0)	H	C16A1	1-03 *	T06									411
DAT14(0)	H	C16A1	1								7-2/8		411
DAT14(1)	H	A09E1	1-01 *	T17					1				412
DAT14(1)	H	B16K2	1-02 *	T14S									412
DAT14(1)	H	B16K2	1								7-4/8		412
DAT15(0)	H	A17S2	1-01 *	T16					2				413
DAT15(0)	H	A14E1	1-02 *	T16S					1				413
DAT15(0)	H	C13R2	1-03 *	T06									413
DAT15(0)	H	C13R2	1								13-4/8		413
DAT15(1)	H	A09B1	1-01 *	T17					1				414
DAT15(1)	H	A16F1	1-02 *	T16S									414
DAT15(1)	H	A16F1	1								5-0/8		414
DAT16(0)	H	A14U2	1-01 *	T15S					1				415
DAT16(0)	H	B15S2	1-02 *	T15					2				415
DAT16(0)	H	C13K2	1-03 *	T06									415
DAT16(0)	H	C13K2	1								9-4/8		415

TC11.F RUN NAME	A/P PIN	HND288.V16(16) NAME	03/31/72 ORDER	03/31/72 BAY	0 DRAW	RV	PG	Y	X	Z	REMARKS	24-MAY-72 LENGTH	21112 EXCEPTIONS	PAGE 45 RUN NUMBER
DATA	H	A14V2	1-01	*	T04S					1		6-2/8		416
DATA	H	B09P1	1-02	*	T04S					1				416
DATA	H	A14R2	1-04	*	T14S					2		10-4/8		417
DATA	H	B17S2	1-02	*	T14					2				417
DATA	H	C19D2	1-03	*	T06					1				417
DATA	H	A14S2	1-01	*	T14S					1		5-6/8		418
DATA	H	B09L2	1-02	*	T08					1				418
DATA	H	D16K2	1-04	*	T07S					1		3-6/8		419
DATA	L	D20B1	1-02	*	T05					2				420
DATA	L	D20E2	1-02	*	T05					2				420
DATA	L	D16E1	1-03	*	T07S					1		7-2/8		420
DATA	H	C19P1	1-01	*	T05					2				421
DATA	H	C20S2	1-02	*	T05					2				421
DATA	H	D20C1	1-03	*	T05S					1		7-0/8		421
DATA	L	C08S1	1-01	*	T08					1				422
DATA	L	D16B1	1-02	*	T03S					1		7-0/8		422
DATA	H	D07S2	1-01	*	T03S					1		6-4/8		423
DATA	H	D19T2	1-02	*	T03					1				423
DATA	H	A09L2	1-04	*	T17					1		11-2/8		424
DATA	H	D07R2	1-02	*	T03S					1				424
DATA	H	C08T2	1-01	*	T04S					2				425
DATA	H	B19P1	1-02	*	T04					2				425
DATA	H	D19T2	1-03	*	T04					1		15-0/8		425

TC11.F RUN NAME	A/P PIN	HND288.V16(16) NAME	03/31/72 ORDER	03/31/72 BAY	0 DRAW	RV	PG	Y	X	Z	REMARKS	24-MAY-72 LENGTH	21112 EXCEPTIONS	PAGE 46 RUN NUMBER
DECODE DLY	L	B13N1	1-01	*	T04S					1				426
DECODE DLY	L	C06S2	1-02	*	T04					2				426
DECODE DLY	L	D08M2	1-03	*	T04					2				426
DECODE DLY	L	D20U2	1-04	*	T04					2				426
DECODE DLY	L	C21N2	1-05	*	T04					1		26-6/8		426
DECODE DLY	H	B13U2	1-01	*	T04					1				427
DECODE DLY	H	C06S1	1-02	*	T11S					1		7-0/8		427
DECODE DLY	H	A12U2	1-01	*	T11S					2				428
DECODE DLY	H	A08D1	1-02	*	T17					2				428
DECODE DLY	H	C06R1	1-03	*	T11					1		14-4/8		428
DECODE DLY	H	D21L1	1-01	*	T05					1				429
DECODE DLY	H	D21P1	1-02	*	T05					2				429
DECODE DLY	H	D16V2	1-03	*	T05S					1		11-2/8		429
DECODE DLY	H	D14L2	1-04	*	T07					1				429
DECODE DLY	L	B11B1	1-01	*	T03					1		25-6/8		430
DECODE DLY	L	D14S1	1-02	*	T03					2				430
DECODE DLY	L	D16U2	1-03	*	T05					1				430
DECODE DLY	L	D23P2	1-04	*	T05					2				430
DECODE DLY	L	C21M2	1-05	*	T05S					1				430
DECODE DLY	H	C11R2	1-01	*	T05S					1				431
DECODE DLY	H	D13V2	1-02	*	T03					1		4-6/8		431
DECODE DLY	L	C11P2	1-01	*	T05					1				432
DECODE DLY	L	D21N1	1-02	*	T05S					1		8-2/8		432
DECODE DLY	H	D16N2	1-01	*	T05S					1				433

1-PIN RUN

TC11.F RUN NAME	HND288.V16(16) A/P PIN ORDER	03/31/72 BAY ORDER	Q DRAW RV PG Y	X Z	REMARKS	24-MAY-72 LENGTH	21112 EXCEPTIONS	PAGE 49 RUN NUMBER
GND 01	A04B2	1-01	T20					449
GND 01	A01C2	1-02	T20					449
GND 01	A04N1	1-03	T20					449
GND 01	A04R1	1-04	T20					449
GND 01	A04P1	1-05	T20					449
GND 01	A04S1	1-06	T20					449
GND 01	A01V1	1-07	T20					449
GND 01	A01V2	1-08	T20					449
GND 01	B01B2	1-09	T20					449
GND 01	B01C2	1-10	T20					449
GND 01	B01E1	1-11	T20					449
GND 01	B01V1	1-12	T20					449
GND 01	B01V2	1-13	T20					449
GND 01	C01C2	1-14	T20					449
GND 01	C01T1	1-15	T20					449
GND 01	D01C2	1-16	T20					449
GND 01	D01T1	1-17	T20					449
GND 02	A02B2	1-01	T20					450
GND 02	A02C2	1-02	T20					450
GND 02	A02N1	1-03	T20					450
GND 02	A02R1	1-04	T20					450
GND 02	A02P1	1-05	T20					450
GND 02	A02S1	1-06	T20					450
GND 02	A02V1	1-07	T20					450
GND 02	A02V2	1-08	T20					450
GND 02	B02B2	1-09	T20					450
GND 02	B02D1	1-10	T20					450
GND 02	B02C2	1-11	T20					450
GND 02	B02E1	1-12	T20					450
GND 02	B02V1	1-13	T20					450
GND 02	B02V2	1-14	T20					450
GND 02	C02C2	1-15	T20					450
GND 02	C02T1	1-16	T20					450
GND 02	D02C2	1-17	T20					450

TC11.F
RUN NAME

HND288.V16(16)
A/P PIN ORDER

03/31/72
BAY ORDER

Q
DRAW RV PG Y

X
Z

REMARKS

24-MAY-72
LENGTH

21112
EXCEPTIONS

PAGE 50
RUN NUMBER

GND 03	A03C2	1-01						451
GND 03	A03T1	1-02						451
GND 03	B03C2	1-03						451
GND 03	B03T1	1-04						451
GND 03	C03C2	1-05						451
GND 03	C03T1	1-06						451
GND 03	D03C2	1-07						451
GND 03	D03T1	1-08						451
GND 04	A04C2	1-01						452
GND 04	A04T1	1-02						452
GND 04	B04C2	1-03	T19					452
GND 04	B04T1	1-04						452
GND 04	B04E1	1-05						452
GND 04	C04C2	1-06						452
GND 04	C04T1	1-07						452
GND 04	D04C2	1-08	T04					452
GND 04	D04L1	1-09						452
GND 04	D04T1	1-10						452
GND 05	A05C2	1-01						453
GND 05	A05T1	1-02						453
GND 05	B05C2	1-03						453
GND 05	B05J2	1-04	T19					453
GND 05	B05R1	1-05						453
GND 05	B05T1	1-06						453
GND 05	C05C2	1-07						453
GND 05	C05T1	1-08						453
GND 05	D05C2	1-09						453
GND 05	D05T1	1-10						453
GND 06	A06C2	1-01						454
GND 06	A06T1	1-02						454
GND 06	B06C2	1-03						454
GND 06	B06C1	1-04	T08					454
GND 06	B06P1	1-05	T08					454
GND 06	B06R1	1-06	T08					454
GND 06	B06T1	1-07						454
GND 06	C06C2	1-08						454
GND 06	C06T1	1-09						454
GND 06	D06C2	1-10						454
GND 06	D06T1	1-11						454

33-2/8

TC11.F RUN NAME	A/P	HND288.V16(16) 03/31/72 PIN - ORDER NAME PIN ORDER	Q	DRAW RV PG Y X Z	REMARKS	24-MAY-72 LENGTH	21112 EXCEPTIONS	PAGE 47 RUN NUMBER
DO STROBE	L	C03H2			T02			434
DO STROBE	L	D11S1			T05S			434
DO STROBE	L	D16M2			T05			434
DO STROBE	L	C12S1			T05			434
DO STROBE	L	C06N2			T02			434
DO STROBE	L	C07M1			T19			434
DO STROBE	L	D07M1			T02			434
DO STROBE	L	D05K2			T04			434
DTP1	H	C23R1			T02	32-6/8		435
DTP1	H	D11R1			T03			435
DTP1	H	C04H2			T00S	16-6/8		435
ENDZ(0)	H	B24D2			T24			436
ENDZ(0)	H	D17M2			T04			436
ENDZ(0)	H	D15M1			T03			436
ENDZ(0)	H	D07L1			T03S			436
ENDZ(1)	H	A09A1			T17	19-6/8		436
ENDZ(1)	H	D07F2			T03			437
ERROR	H	A08B1				11-2/8		437
ERROR	H	D12S2		R1				438
ERROR	H	D15V2		R1				438
ERROR	L	D22R2				17-2/8		438
ERROR	L	D23R1						439
ERROR	L	C23D2						439
ERROR	L	B24N2						439
ERROR	L	C20K1						439
ERROR	L	D12T2						439
ERROR	L					26-2/8		439
ERROR DISABLE	H	B12R1			T12			440
ERROR DISABLE	H	D14N1			T03S			440
ERROR DISABLE	H	D13R2			T03			440
ERROR DISABLE	L					10-4/8		440

TC11.F RUN NAME	A/P	HND288.V16(16) 03/31/72 PIN - ORDER NAME PIN ORDER	Q	DRAW RV PG Y X Z	REMARKS	24-MAY-72 LENGTH	21112 EXCEPTIONS	PAGE 48 RUN NUMBER
ERROR STP	L	C23D1			T04			441
ERROR STP	L	C21R2			T04			441
ERROR STP	L	D12N2			T04S			441
ERROR STP	L	D08P1			T04	16-6/8		441
FCT1(0)	H	A08P1			T11S			442
FCT1(0)	H	B24K2			T24			442
FCT1(0)	H					12-4/8		442
FCT1(1)	H	A12L2			T11S			443
FCT1(1)	H	A06N1			T11			443
FCT1(1)	H	B08R1			T10			443
FCT1(1)	H	C12V1			T05			443
FCT1(1)	H					17-6/8		443
FCT2(0)	H	A06M1			T11S			444
FCT2(0)	H	B24P2			T24			444
FCT2(0)	H					12-6/8		444
FCT2(1)	H	B08L1			T10			445
FCT2(1)	H	A06L1			T11			445
FCT2(1)	H	A12T2			T11S			445
FCT2(1)	H	C12U2			T05			445
FCT2(1)	H					19-2/8		445
FCT3(0)	H	B06J2			T00			446
FCT3(0)	H	C06N2			T11S			446
FCT3(0)	H	C17L2			T07			446
FCT3(0)	H	C21F1			T00			446
FCT3(0)	H	C22J2			T02			446
FCT3(0)	H	B24F2			T24			446
FCT3(0)	H					31-4/8		446
FCT3(1)	H	A12M2			T11S			447
FCT3(1)	H	B06M1			T10			447
FCT3(1)	H	C06M2			T11			447
FCT3(1)	H	C12V2			T05			447
FCT3(1)	H	C21B1			T00			447
FCT3(1)	H					24-4/8		447
FORWARD	L	A19V1			T12			448
FORWARD	L	C21U1						448
FORWARD	L					7-6/8		448

TC11.F RDN NAME	HND288.V16(16) A/P PIN NAME	03/31/72 ORDER	Q DRAW	RV RV	PG PG	Y Y	X X	Z Z	REMARKS	24-MAY-72 LENGTH	21112 EXCEPTIONS	PAGE 53 RUN NUMBER
GND 13	A49C2	1-01	*									461
GND 13	A19T1	1-02	*									461
GND 13	B19C2	1-03	*									461
GND 13	B19T1	1-04	*									461
GND 13	C19C2	1-05	*									461
GND 13	C19F2	1-06	*									461
GND 13	C19E1	1-07	*									461
GND 13	C19H2	1-08	*									461
GND 13	C19L1	1-09	*									461
GND 13	C19M2	1-10	*									461
GND 13	C19N2	1-11	*									461
GND 13	C19T1	1-12	*									461
GND 13	C19S1	1-13	*									461
GND 13	C19U2	1-14	*									461
GND 13	C19V2	1-15	*									461
GND 13	D19C2	1-16	*									461
GND 13	D19U2	1-17	*									461
GND 13	D19T1	1-18	*									461
GND 14	A49C2	1-01	*									462
GND 14	A19T1	1-02	*									462
GND 14	B19C2	1-03	*									462
GND 14	B19T1	1-04	*									462
GND 14	C19C2	1-05	*									462
GND 14	C19T1	1-06	*									462
GND 14	D19C2	1-07	*									462
GND 14	D19T1	1-08	*									462
GND 15	A19C2	1-01	*									463
GND 15	A19T1	1-02	*									463
GND 15	B19C2	1-03	*									463
GND 15	B19T1	1-04	*									463
GND 15	C19C2	1-05	*									463
GND 15	C19T1	1-06	*									463
GND 15	D19C2	1-07	*									463
GND 15	D19T1	1-08	*									463

TC11.F RDN NAME	HND288.V16(16) A/P PIN NAME	03/31/72 ORDER	Q DRAW	RV RV	PG PG	Y Y	X X	Z Z	REMARKS	24-MAY-72 LENGTH	21112 EXCEPTIONS	PAGE 54 RUN NUMBER
GND 16	A19C2	1-01	*									464
GND 16	A19T1	1-02	*									464
GND 16	B19C2	1-03	*									464
GND 16	B19T1	1-04	*									464
GND 16	C19C2	1-05	*									464
GND 16	C19T1	1-06	*									464
GND 16	D19C2	1-07	*									464
GND 16	D19T1	1-08	*									464
GND 17	A17C2	1-01	*									465
GND 17	A17T1	1-02	*									465
GND 17	B17C2	1-03	*									465
GND 17	B17T1	1-04	*									465
GND 17	C17C2	1-05	*									465
GND 17	C17T1	1-06	*									465
GND 17	D17C2	1-07	*									465
GND 17	D17T1	1-08	*									465
GND 18	A18C2	1-01	*									466
GND 18	A18T1	1-02	*									466
GND 18	B18C2	1-03	*									466
GND 18	B18T1	1-04	*									466
GND 18	C18C2	1-05	*									466
GND 18	C18T1	1-06	*									466
GND 18	D18C2	1-07	*									466
GND 18	D18T1	1-08	*									466
GND 19	A19C2	1-01	*									467
GND 19	A19T1	1-02	*									467
GND 19	A19M2	1-03	*									467
GND 19	A19N2	1-04	*									467
GND 19	A19T1	1-05	*									467
GND 19	A19U2	1-06	*									467
GND 19	B19C2	1-07	*									467
GND 19	B19M2	1-08	*									467
GND 19	B19T1	1-09	*									467
GND 19	C19C2	1-10	*									467
GND 19	C19T1	1-11	*									467
GND 19	D19C2	1-12	*									467
GND 19	D19T1	1-13	*									467

38-0/8

TC11.F
RUN NAME

A/P PIN NAME
HND289.V19(16) 03/31/72
ORDER PIN ORDER

24-MAY-72 LENGTH EXCEPTIONS
PAGE 55
RUN NUMBER

Q DRAW RV PG Y X Z REMARKS

GND 20	A2002	1-01 *	T12		2				468
GND 20	A2001	1-02 *	T12		1				468
GND 20	A20A1	1-03 *	T12		2				468
GND 20	A20C2	1-04 *	T12		2				468
GND 20	A20F2	1-05 *	T12		2				468
GND 20	A20F1	1-06 *	T12		2				468
GND 20	A20G2	1-07 *	T12		2				468
GND 20	A20M2	1-08 *	T12		2				468
GND 20	A20M1	1-09 *	T12		2				468
GND 20	A20L2	1-10 *	T12		2				468
GND 20	A20L1	1-11 *	T12		2				468
GND 20	A20N1	1-12 *	T12		2				468
GND 20	A20R2	1-13 *	T12		2				468
GND 20	A20T1	1-14 *	T12		2				468
GND 20	A20U1	1-15 *	T12		2				468
GND 20	A20U2	1-16 *	T12		2				468
GND 20	B20C2	1-17 *	T12		2				468
GND 20	B20T1	1-18 *	T12		2				468
GND 20	C20C2	1-19 *	T12		2				468
GND 20	C20T1	1-20 *	T12		2				468
GND 20	D20C2	1-21 *	T12		2				468
GND 20	D20T1	1-22 *	T12		2				468
GND 21	A21C2	1-01 *	T12		2				469
GND 21	A21T1	1-02 *	T12		2				469
GND 21	B21C2	1-03 *	T12		2				469
GND 21	B21T1	1-04 *	T12		2				469
GND 21	C21C2	1-05 *	T12		2				469
GND 21	C21T1	1-06 *	T12		2				469
GND 21	D21C2	1-07 *	T12		2				469
GND 21	D21T1	1-08 *	T12		2				469

62-4/8

26-2/8

TC11.F
RUN NAME

A/P PIN NAME
HND289.V19(16) 03/31/72
ORDER PIN ORDER

24-MAY-72 LENGTH EXCEPTIONS
PAGE 56
RUN NUMBER

Q DRAW RV PG Y X Z REMARKS

GND 22	A22C2	1-01 *	T12		2				470
GND 22	A22J2	1-02 *	T12		1				470
GND 22	A22K2	1-03 *	T12		2				470
GND 22	A22R2	1-04 *	T12		2				470
GND 22	A22T1	1-05 *	T12		2				470
GND 22	A22T2	1-06 *	T12		2				470
GND 22	A22S2	1-07 *	T12		2				470
GND 22	A22U2	1-08 *	T12		2				470
GND 22	B22C2	1-09 *	T12		2				470
GND 22	B22F2	1-10 *	T12		2				470
GND 22	B22L2	1-11 *	T12		2				470
GND 22	B22L1	1-12 *	T12		2				470
GND 22	B22M2	1-13 *	T12		2				470
GND 22	B22T1	1-14 *	T12		2				470
GND 22	C22C2	1-15 *	T12		2				470
GND 22	C22T1	1-16 *	T12		2				470
GND 22	D22C2	1-17 *	T12		2				470
GND 22	D22T1	1-18 *	T12		2				470
GND 23	A23C2	1-01 *	T12		2				471
GND 23	A23T1	1-02 *	T12		2				471
GND 23	B23C2	1-03 *	T12		2				471
GND 23	B23T1	1-04 *	T12		2				471
GND 23	C23C2	1-05 *	T12		2				471
GND 23	C23T1	1-06 *	T12		2				471
GND 23	D23C2	1-07 *	T12		2				471
GND 23	D23T1	1-08 *	T12		2				471
GND 24	A24C2	1-01 *	T12		2				472
GND 24	A24T1	1-02 *	T12		2				472
GND 24	B24C2	1-03 *	T12		2				472
GND 24	B24T1	1-04 *	T12		2				472
GND 24	C24C2	1-05 *	T12		2				472
GND 24	C24T1	1-06 *	T12		2				472
GND 24	D24C2	1-07 *	T12		2				472
GND 24	D24T1	1-08 *	T12		2				472
GO	A19T1	1-01 *	T12		1				473
GO	C21S2	1-02 *	T04S		1				473

50-4/8

26-2/8

26-2/8

8-2/8

TC11.F RUN NAME	HND288.V16(16) 03/31/72 A/P PIN ORDER NAME	HND288.V16(16) 03/31/72 Q DRAW RV PG Y X Z	REMARKS	24-MAY-72 LENGTH	2112 EXCEPTIONS	PAGE 63 RUN NUMBER
OBUS 003	A04D2	1-01 *	T13			536
OBUS 003	A07H2	1-02 *	T21S/T22S			536
OBUS 003	B05H2	1-03 *	T18S			536
OBUS 003	B09K2	1-04 *	T18S			536
OBUS 003		1		12-6/8		
OBUS 004	A04F2	1-01 *	T13			537
OBUS 004	B05K2	1-02 *	T18S			537
OBUS 004	B09K1	1-03 *	T18S			537
OBUS 004	B07R2	1-04 *	T21S/T22S			537
OBUS 004		1		12-0/8		
OBUS 005	A04J2	1-01 *	T13			538
OBUS 005	A07R1	1-02 *	T21S/T22S			538
OBUS 005	B05H2	1-03 *	T18S			538
OBUS 005	B09F2	1-04 *	T18S			538
OBUS 005		1		11-4/8		
OBUS 006	A04H1	1-01 *	T13			539
OBUS 006	A07S2	1-02 *	T21S/T22S			539
OBUS 006	B05E2	1-03 *	T18S			539
OBUS 006	B07F1	1-04 *	T18S			539
OBUS 006		1		11-2/8		
OBUS 007	A04K1	1-01 *	T13			540
OBUS 007	A07P1	1-02 *	T21S/T22S			540
OBUS 007	B05C1	1-03 *	T18S			540
OBUS 007	B09C1	1-04 *	T18S			540
OBUS 007		1		10-6/8		
OBUS 008	A04M1	1-01 *	T13			541
OBUS 008	A05S1	1-02 *	T17S			541
OBUS 008	A08U2	1-03 *	T17S			541
OBUS 008	B07N2	1-04 *	T21S/T22S			541
OBUS 008		1		12-4/8		
OBUS 009	A04N2	1-01 *	T13			542
OBUS 009	A09N2	1-02 *	T17S			542
OBUS 009	A05S2	1-03 *	T17S			542
OBUS 009	B07C1	1-04 *	T21S/T22S			542
OBUS 009		1		12-0/8		
OBUS 010	A04R2	1-01 *	T13			543
OBUS 010	A05N1	1-02 *	T17S			543
OBUS 010	A08P2	1-03 *	T17S			543
OBUS 010	B07D2	1-04 *	T21S/T22S			543
OBUS 010		1		11-6/8		

TC11.F RUN NAME	HND288.V16(16) 03/31/72 A/P PIN ORDER NAME	HND288.V16(16) 03/31/72 Q DRAW RV PG Y X Z	REMARKS	24-MAY-72 LENGTH	2112 EXCEPTIONS	PAGE 64 RUN NUMBER
OBUS 011	A04U1	1-01 *	T13			544
OBUS 011	B07A1	1-02 *	T21S/T22S			544
OBUS 011	A05M2	1-03 *	T17S			544
OBUS 011	A09K2	1-04 *	T17S			544
OBUS 011		1		11-4/8		
OBUS 012	A09K1	1-01 *	T17S			545
OBUS 012	A05K2	1-02 *	T17S			545
OBUS 012	A04T2	1-03 *	T13			545
OBUS 012	B07M2	1-04 *	T21S/T22S			545
OBUS 012		1		12-0/8		
OBUS 013	A09F2	1-01 *	T17S			546
OBUS 013	A05H2	1-02 *	T17S			546
OBUS 013	A04V2	1-03 *	T13			546
OBUS 013	B07H2	1-04 *	T21S/T22S			546
OBUS 013		1		12-0/8		
OBUS 014	A09F1	1-01 *	T17S			547
OBUS 014	A05E2	1-02 *	T17S			547
OBUS 014	A04S1	1-03 *	T13			547
OBUS 014	B07M1	1-04 *	T21S/T22S			547
OBUS 014		1		13-2/8		
OBUS 015	A09C1	1-01 *	T17S			548
OBUS 015	A05C1	1-02 *	T17S			548
OBUS 015	B07J1	1-03 *	T21S/T22S			548
OBUS 015	A04P1	1-04 *	T13			548
OBUS 015		1		14-0/8		

TC11.F RUN NAME	HND288, V46(16) 05/31/72 A/P PIN NAME ORDER PIN	BAY ORDER	Q DRAW RV PG Y	X	Z	REMARKS	24-MAY-72 LENGTH	21112 EXCEPTIONS	PAGE 65 RUN NUMBER
OBVERSE ENB	H	A13D2	1-01	*	T15	1			549
OBVERSE ENB	H	A13F1	1-02	*	T14	1			549
OBVERSE ENB	H	A13R2	1-03	*	T16	1			549
OBVERSE ENB	H	A17M1	1-04	*	T16	1			549
OBVERSE ENB	H	A17F1	1-05	*	T16	1			549
OBVERSE ENB	H	A17D2	1-06	*	T16	1			549
OBVERSE ENB	H	A17K2	1-07	*	T16	1			549
OBVERSE ENB	H	A17R2	1-08	*	T16	1			549
OBVERSE ENB	H	B17D2	1-09	*	T14	1			549
OBVERSE ENB	H	B15D2	1-10	*	T15	1			549
OBVERSE ENB	H	B19F1	1-11	*	T15	1			549
OBVERSE ENB	H	B19K1	1-12	*	T15	1			549
OBVERSE ENB	H	B19M1	1-13	*	T15	1			549
OBVERSE ENB	H	B19R2	1-14	*	T15	1			549
OBVERSE ENB	H	B17M1	1-15	*	T14	1			549
OBVERSE ENB	H	B17K2	1-16	*	T14	1			549
OBVERSE ENB	H	B17R2	1-17	*	T14	1			549
OBVERSE ENB	H	C21C1	1-18	*	T14	1			549
OBVERSE ENB	H	C21C4	1-19	*	T14	1			549
OBVERSE ENB	H	C21C1	1-20	*	T08	1			549
OBVERSE ENB	H	C11J2	1-21	*	T08	1			549
OUT HIGH	H	B04M2	1-01	*	T19	2	65-4/8		550
OUT HIGH	H	C08A1	1-02	*	T09	1			550
OUT HIGH	H	D19J2	1-03	*	T04	1			550
OUT LOW	H	C08R2	1-01	*	T09	2	13-2/8		550
OUT LOW	H	C08K1	1-02	*	T09	2			551
OUT LOW	H	C08M1	1-03	*	T09	2			551
OUT LOW	H	B15N1	1-04	*	T19S	1			551
OUT LOW	H	B19L1	1-05	*	T04	1			551
OUT LOW	H	C21ER2	1-06	*	T05	1			551
PAR(0)	H	B24M2	1-01	*	T24	1	24-6/8		551
PAR(0)	H	D15R1	1-02	*	T03	1			552
PAR(0)	H	D07J2	1-03	*	T03S	1	16-0/8		552
PAR(1)	H	A09D1	1-01	*	T17	1	11-0/8		553
PAR(1)	H	D07H2	1-02	*	T03S	1			553

TC11.F RUN NAME	HND288, V46(16) 05/31/72 A/P PIN NAME ORDER PIN	BAY ORDER	Q DRAW RV PG Y	X	Z	REMARKS	24-MAY-72 LENGTH	21112 EXCEPTIONS	PAGE 66 RUN NUMBER
PTP0	H	D08H2	1-01	*	T04	1			554
PTP0	H	D12D1	1-02	*	T04	2			554
PTP0	H	D13F1	1-03	*	T04S	1			554
PTP0	H	D19J1	1-04	*	T04	1	13-0/8		554
PTP0	L	D11J2	1-01	*	T04	1			555
PTP0	L	D12E1	1-02	*	T04S	1	2-6/8		555
PTP1	H	D08J1	1-01	*	T04	1			556
PTP1	H	D15C1	1-02	*	T04S	1	5-0/8		556
PWALL	H	D06D1	1-01	*	T03	2	14-4/8		557
PWALL	H	C12L2	1-02	*	T05S	1			557
PWALL	H	D21L2	1-03	*	T05	1			557
RALL	H	C09J2	1-01	*	T02	2			558
RALL	H	C12N2	1-02	*	T05S	2			558
RALL	H	D21R2	1-03	*	T02	1	12-0/8		558
RALL	L	C19V2	1-01	*	T05	2			559
RALL	L	C20H2	1-02	*	T02	1			559
RALL	L	C17H2	1-03	*	T07	1			559
RALL	L	C12N1	1-04	*	T05S	1			559
RALL	L	D06J1	1-05	*	T03	1	19-2/8		559
RDATA	H	C19R1	1-01	*	T05	1			560
RDATA	H	D17N1	1-02	*	T03	1			560
RDATA	H	D14E1	1-03	*	T07	1			560
RDATA	H	C12J2	1-04	*	T05S	1	14-4/8		560
RDATA	L	C19U2	1-01	*	T05	1			561
RDATA	L	C12J1	1-02	*	T05S	1			561
RDATA	L	D06P1	1-03	*	T02	1	13-4/8		561
READ D0	H	B23U2			T12S			1-PIN RUN	562
READ D0	L	B23V2	1-01	*	T12S	1			563
READ D0	L	C19C1	1-02	*	T06	1	6-4/8		563
READ D0	L	C19C1	1			1			563

TC11.F
RUN NAME

HND288.V16(16) 03/31/72
A/P PIN ORDER BAY ORDER
NAME PIN ORDER

Q DRAW RV PG Y X Z REMARKS

24-MAY-72 LENGTH EXCEPTIONS 21112
PAGE 67 RUN NUMBER

TC11.F RUN NAME	HND288.V16(16) 03/31/72 A/P PIN ORDER BAY ORDER NAME PIN ORDER	Q DRAW RV PG Y X Z REMARKS	24-MAY-72 LENGTH EXCEPTIONS	21112 PAGE 67 RUN NUMBER
READ D1	H B21U2	T12S	1-PIN RUN	564
READ D1	L B21V2	T12S		565
READ D1	L C15J1	T06	5-6/8	565
READ D1	L C15J1			565
READ D2	H B20U2	T12S	1-PIN RUN	566
READ D2	L B20V2	T12S		567
READ D2	L C15P1	T06	5-4/8	567
READ D2	L C15P1			567
READ MK	H A23U2	T12S	1-PIN RUN	568
READ MK	L A23V2	T12S		569
READ MK	L C15R2	T07	8-4/8	569
READ MK	L C15R2			569
READ TM	H A21U2	T12S	1-PIN RUN	570
READ TM	L A21V2	T12S		571
READ TM	L D08D1	T04	11-6/8	571
READ TM	L D08D1			571
READY ENB(0)	H D19R2	T02S	1-PIN RUN	572
READY ENB(1)	H C09K2	T02		573
READY ENB(1)	H C21L1	T02		573
READY ENB(1)	H D22M1	T02		573
READY ENB(1)	H D22L1	T03		573
READY ENB(1)	H D19S2	T02S		573
READY ENB(1)	H D19S2		20-2/8	573
READY(0)	H C08P1	T08		574
READY(0)	H C08M1	T02		574
READY(0)	H B12M2	T19		574
READY(0)	H B24E2	T24		574
READY(0)	H C23K1	T02		574
READY(0)	H C20L2	T05		574
READY(0)	H D19F1	T02S		574
READY(0)	H D23L1	T03		574
READY(0)	H D23L1		36-0/8	574
READY(0)	H D23L1			574

TC11.F
RUN NAME

HND288.V16(16) 03/31/72
A/P PIN ORDER BAY ORDER
NAME PIN ORDER

Q DRAW RV PG Y X Z REMARKS

24-MAY-72 LENGTH EXCEPTIONS 21112
PAGE 68 RUN NUMBER

TC11.F RUN NAME	HND288.V16(16) 03/31/72 A/P PIN ORDER BAY ORDER NAME PIN ORDER	Q DRAW RV PG Y X Z REMARKS	24-MAY-72 LENGTH EXCEPTIONS	21112 PAGE 68 RUN NUMBER
READY(1)	H B08B1	T18		575
READY(1)	H D08D2	T03		575
READY(1)	H D19E1	T02S		575
READY(1)	H D22E1	T02	21-2/8	575
READY(1)	H D22E1			575
REED	H C07J1	T09		576
REED	H C09H1	T09		576
REED	H C15D2	T05		576
REED	H C15K2	T05		576
REED	H C15V1	T05S		576
REED	H C15V1		17-0/8	576
REG SELECT	H C06H1	T19		577
REG SELECT	H D10M2	T10		577
REG SELECT	H D10N2	T20		577
REG SELECT	H D15P2	T10		577
REG SELECT	H D15P2		11-4/8	577
REG SELECT	L A10H2	T10		578
REG SELECT	L A10J2	T10		578
REG SELECT	L A10K2	T10		578
REG SELECT	L B04L2	T19S		578
REG SELECT	L C05P1	T19		578
REG SELECT	L C05P1		16-2/8	578
REG SELECT	L C05P1			578
REQUEST BUS(0)	H B11N1	T08S		579
REQUEST BUS(0)	H D06M1	T03		579
REQUEST BUS(0)	H D06M1		8-4/8	579
REQUEST BUS(0)	H D06M1			579
REQUEST BUS(1)	H B05V1	T08S		580
REQUEST BUS(1)	H B05U1	T08		580
REQUEST BUS(1)	H B11M1	T08		580
REQUEST BUS(1)	H C10D2	T08		580
REQUEST BUS(1)	H C10H2	T08		580
REQUEST BUS(1)	H C10H2		15-0/8	580
REQUEST BUS(1)	H C10H2			580
RESET ERRORS	L A14H2	T03		581
RESET ERRORS	L B11A1	T03		581
RESET ERRORS	L B09D2	T08		581
RESET ERRORS	L D07E2	T03		581
RESET ERRORS	L D07K2	T03		581
RESET ERRORS	L D07N2	T03		581
RESET ERRORS	L D10K2	T03S		581
RESET ERRORS	L D10K2		28-6/8	581
RESET ERRORS	L D10K2			581

TC11.F RUN NAME	HND288.V16(16) 03/31/72 A/P PIN ORDER BAY	0 DRAW RV PG Y	X	Z	REMARKS	24-MAY-72 LENGTH	21112 EXCEPTIONS	PAGE 69 RUN NUMBER
REV(0)	H A11U1	0		2		26-2/8		582
REV(0)	H D04C1	0		1				582
REV(0)	H D20P1	0		2				582
REV(0)	H C21P1	0		1				582
REV(1)	H A08M1	0		1				583
REV(1)	H A11S1	0		2				583
REV(1)	H C10E2	0		1				583
REV(1)	H C10F2	0		1				583
REV(1)	H D04F1	0		1				583
REV(1)	H D20P2	0		1				583
REVERSE	L A19P2	0		1		30-4/8		584
REVERSE	L D20S2	0		1				584
RNUM	H C09S1	0		1		10-6/8		584
RNUM	H C12E2	0		2				585
RNUM	H D14K2	0		1				585
RNUM	L C12E1	0		1		10-6/8		585
RNUM	L C19T2	0		1				586
RHALL	H A08R1	0		1		6-6/8		586
RHALL	H D06H2	0		2				587
RHALL	H D06K1	0		2				587
RHALL	H D20H1	0		2				587
RHALL	H D20H1	0		1		21-6/8		587
RH SH	H C13D1	0		1				588
RH SH	H C13K1	0		2				588
RH SH	H C13R1	0		1				588
RH SH	H D22C1	0		1				588
RH0(0)	H C13M2	0		1		13-2/8		588
RH0(0)	H C13N2	0		1				589
RH0(0)	H C14V1	0		2				589
RH0(0)	H C13P1	0		1				589
RH0(0)	H C13P1	0		1		9-2/8		589

TC11.F RUN NAME	HND288.V16(16) 03/31/72 A/P PIN ORDER BAY	0 DRAW RV PG Y	X	Z	REMARKS	24-MAY-72 LENGTH	21112 EXCEPTIONS	PAGE 70 RUN NUMBER
RH0(1)	H A17U2	0		1		8-2/8		590
RH0(1)	H C14V2	0		1				590
RH0(1)	H C14V2	0		1				590
RH1(0)	H C13T2	0		1				591
RH1(0)	H C13U2	0		2				591
RH1(0)	H C14U1	0		1				591
RH1(0)	H C13U1	0		1		9-2/8		591
RH1(1)	H B13U2	0		1				592
RH1(1)	H C14S1	0		1		5-0/8		592
RH1(1)	H C14S1	0		1				592
RH2(0)	H C13R1	0		2				593
RH2(0)	H C14R2	0		1				593
RH2(0)	H C13P1	0		2				593
RH2(0)	H C13C1	0		1		9-0/8		593
RH2(1)	H B17U2	0		1				594
RH2(1)	H C14P2	0		1		5-0/8		594
RH2(1)	H C14P2	0		1				594
RH3(0)	H A23P2	0		1				595
RH3(0)	H B25P2	0		2				595
RH3(0)	H C13J1	0		2				595
RH3(0)	H C13K1	0		2				595
RH3(0)	H C13M1	0		2				595
RH3(0)	H C14M1	0		1		17-0/8		595
RH3(1)	H A17N2	0		1				596
RH3(1)	H A23N2	0		2				596
RH3(1)	H B20N2	0		2				596
RH3(1)	H C14L1	0		1				596
RH3(1)	H C13M1	0		2				596
RH3(1)	H B07L1	0		1		26-2/8		596
RH4(0)	H B21P2	0		2				597
RH4(0)	H C13F2	0		1				597
RH4(0)	H C13E2	0		2				597
RH4(0)	H C14J2	0		1		11-4/8		597
RH4(0)	H C14J2	0		1				597

TC11.F RUN NAME	A/P	PIN	NAME	ORDER	PIN	BAY	ORDER	Q	DRAW	RV	PG	Y	X	Z	REMARKS	24-MAY-72 LENGTH	2112 EXCEPTIONS	2112 EXCEPTIONS	PAGE 71 RUN NUMBER
RMB4(1)	H	B09H2		1-01	*				T10										598
RMB4(1)	H	C13F1		1-02	*				T06										598
RMB4(1)	H	C14H2		1-03	*				T06S										598
RMB4(1)	H	B15N2		1-04	*				T15										598
RMB4(1)	H	B21N2		1-05	*				T12										598
RMB5(0)	H	B23P2		1-01	*				T12							18-2/8			599
RMB5(0)	H	C15D1		1-02	*				T06										599
RMB5(0)	H	C15C1		1-03	*				T06										599
RMB5(0)	H	C14F1		1-04	*				T06S										599
RMB5(1)	H	B09H1		1-01	*				T10										600
RMB5(1)	H	C13A1		1-02	*				T06										600
RMB5(1)	H	C14E1		1-03	*				T06S										600
RMB5(1)	H	B17N2		1-04	*				T14										600
RMB5(1)	H	B25N2		1-05	*				T12										600
RMC1	H	C14B1		1-01	*				T06							18-2/8			601
RMC1	H	C14D1		1-02	*				T06										601
RMC1	H	C14M1		1-03	*				T06										601
RMC1	H	C14L2		1-04	*				T05S										601
RMC2	H	C14L2		1-01	*				T06							9-4/8			602
RMC2	H	C14B2		1-02	*				T06										602
RMC2	H	C14N1		1-03	*				T06										602
RMC2	H	C14M1		1-04	*				T05S										602
RMDAT	H	D14E2		1-01	*				T03							9-6/8			603
RMDAT	H	C09D2		1-02	*				T02										603
RMDAT	H	C09J2		1-03	*				T08										603
RMDAT	H	D09S1		1-04	*				T02S										603
SAT	H	C12D2		1-01	*				T05S							16-0/8			604
SAT	H	D21T2		1-02	*				T04										604
SAT	L	A15S2		1-01	*				T12							8-2/8			605
SAT	L	C12D1		1-02	*				T05S										605
SAT	L	D14X1		1-03	*				T03										605
SAT	L	D09L1		1-04	*				T04										605
SAT	L				*											18-6/8			605

TC11.F RUN NAME	A/P	PIN	NAME	ORDER	PIN	BAY	ORDER	Q	DRAW	RV	PG	Y	X	Z	REMARKS	24-MAY-72 LENGTH	2112 EXCEPTIONS	2112 EXCEPTIONS	PAGE 72 RUN NUMBER
SELE	H	A09H2		1-01	*				T17										606
SELE	H	D12P2		1-02	*				T03										606
SELE	H	D15S2		1-03	*				T03S							14-6/8			606
SELE	L	B24L2		1-01	*				T23										607
SELE	L	C20D1		1-02	*				T10										607
SELE	L	D17K2		1-03	*				T04										607
SELE	L	D14R2		1-04	*				T03										607
SELE	L	D12R2		1-05	*				T03S										607
SELECT 0	H	C06E1		1-01	*				T19S							18-6/8			608
SELECT 0	H	C07A1		1-02	*				T09										608
SELECT 0	H	C06H1		1-03	*				T09										608
SELECT 0	H	C06N2		1-04	*				T09										608
SELECT 10	H	C09A1		1-01	*				T09							9-4/8			609
SELECT 10	H	C09J2		1-02	*				T19S										609
SELECT 10	H	C07R2		1-03	*				T09										609
SELECT 10	H	C06T2		1-04	*				T09										609
SELECT 10	H	C09T2		1-05	*				T02										609
SELECT 10	H	D21P2		1-06	*				T02							22-0/8			609
SELECT 2	H	A09H1		1-01	*				T17										610
SELECT 2	H	B09H1		1-02	*				T10										610
SELECT 2	H	C06C1		1-03	*				T09										610
SELECT 2	H	C06E1		1-04	*				T09										610
SELECT 2	H	B04T2		1-05	*				T19S										610
SELECT 2	H	B13M1		1-06	*				T04										610
SELECT 2	H	C21P2		1-07	*				T05										610
SELECT 2	H	D14T2		1-08	*				T04										610
SELECT 4	H	B04R2		1-01	*				T19S							38-2/8			611
SELECT 4	H	C07D1		1-02	*				T09										611
SELECT 4	H	C06F2		1-03	*				T09										611
SELECT 6	H	B04S1		1-01	*				T19S							7-4/8			612
SELECT 6	H	C09J2		1-02	*				T09										612
SELECT 6	H	C07R1		1-03	*				T09										612
SELECT 6	H				*											9-0/8			612

TC11.F RUN NAME	HND288.V16(16) 03/31/72 A/P PIN ORDER BAY ORDER NAME PIN	Q	DRAW RV PG Y	X	Z	REMARKS	24-MAY-72 LENGTH	21112 EXCEPTIONS	PAGE 75 RUN NUMBER
STOP	L A19N1	1-01 *	T12		1		11-4/8		630
STOP	L D12L2	1-02 *	T04S						630
STOP		1							630
STP	H D08L2	1-01 *	T04		1				631
STP	H D08N1	1-02 *	T04S		2				631
STP	H D12N1	1-03 *	T04		1				631
STP	H D13U2	1-04 *	T04		2				631
STP	H D13M2	1-05 *	T02						631
STP		1							631
STP	L C23C1	1-01 *	T04		2				632
STP	L C21P2	1-02 *	T04		1				632
STP	L D14P1	1-03 *	T04S						632
STP		1							632
SYNC	H D19N2	1-01 *	T07S		1				633
SYNC	H D17D1	1-02 *	T02						633
SYNC		1							633
SYNC	L D19M2		T07S			1-PIN RUN			634
TAPE CLK (0)	H A11V1	1-01 *	T10S		1				635
TAPE CLK (0)	H A21P2	1-02 *	T12						635
TAPE CLK (0)		1							635
TAPE CLK (1)	H A11V2	1-01 *	T10S		1				636
TAPE CLK (1)	H A21N2	1-02 *	T12						636
TAPE CLK (1)		1							636
TC INT	H B05K2	1-01 *	T19S		1				637
TC INT	H B12N2	1-02 *							637
TC INT		1							637
TCBA TO BUS	L A07D2	1-01 *	T21		1				638
TCBA TO BUS	L C07S1	1-02 *	T09S						638
TCBA TO BUS		1							638
TCST TO BUS	L A09U2	1-01 *	T17		1				639
TCST TO BUS	L B09U2	1-02 *	T18		2				639
TCST TO BUS	L C07C1	1-03 *	T09S						639
TCST TO BUS		1							639
TCMC TO BUS	L B07T2	1-01 *	T22		1				640
TCMC TO BUS	L C07F1	1-02 *	T09S						640
TCMC TO BUS		1							640

TC11.F RUN NAME	HND288.V16(16) 03/31/72 A/P PIN ORDER BAY ORDER NAME PIN	Q	DRAW RV PG Y	X	Z	REMARKS	24-MAY-72 LENGTH	21112 EXCEPTIONS	PAGE 76 RUN NUMBER
TM ENABLE	H A23R2	1-01 *	T12		2				641
TM ENABLE	H A21R2	1-02 *	T12		1				641
TM ENABLE	H B12F2	1-03 *	T10S				10-6/8		641
TM ENABLE		1							641
TM ENABLE	L B12D2	1-01 *	T10		1				642
TM ENABLE	L B12E2	1-02 *	T10		2				642
TM ENABLE	L B10S1	1-03 *	T10		1				642
TM ENABLE	L B10U1	1-04 *	T10		2				642
TM ENABLE	L C20E1	1-05 *	T10S				17-0/8		642
TM ENABLE		1							642
TP	H D21C1	1-01 *	T02S		2				643
TP	H C22V1	1-02 *	T02		1				643
TP	H C22E1	1-03 *	T02		2				643
TP	H C22M1	1-04 *	T02		1				643
TP	H C10N2	1-05 *	T05		2				643
TP	H D10P2	1-06 *	T02				20-6/8		643
TP		1							643
TP CONTROL	H D08S2	1-01 *	T04S		2				644
TP CONTROL	H D08B1	1-02 *	T04		1				644
TP CONTROL	H D12H2	1-03 *	T04						644
TP CONTROL		1							644
TP CONTROL	L C17H2	1-01 *	T04		2				645
TP CONTROL	L D19M1	1-02 *	T04		1				645
TP CONTROL	L D12J2	1-03 *	T04S		2				645
TP CONTROL	L D08E1	1-04 *	T04		1				645
TP CONTROL		1							645
TP0	H B10K2	1-01 *	T04		1				646
TP0	H B10L2	1-02 *	T04		2				646
TP0	H C17A1	1-03 *	T02		1				646
TP0	H D21E1	1-04 *	T02		2				646
TP0	H D12K1	1-05 *	T04S		1				646
TP0	H D08R2	1-06 *	T03				16-0/8		646
TP0		1							646
TP0	L D08K2	1-01 *	T04S		1				647
TP0	L D12J1	1-02 *	T04		2				647
TP0	L D13M1	1-03 *	T04		1				647
TP0	L D13E2	1-04 *	T04		2				647
TP0	L C10M1	1-05 *	T07		1				647
TP0	L D21A1	1-06 *	T02						647
TP0	L D21J2	1-07 *	T02				23-0/8		647
TP0		1							647

TC11.F RUN NAME	HND288 , V16(16) PIN NAME	03/31/72 ORDER PIN	BAY - ORDER	Q DRAW	RV	PG	Y	X	Z	REMARKS	24-MAY-72 LENGTH	21112 EXCEPTIONS	PAGE 77 RUN NUMBER
TP000	C20R2		1-01 *	T05					2				648
TP000	C20N2		1-02 *	T05					1				648
TP000	C16F2		1-03 *	T05					2				648
TP000	C40D1		1-04 *	T07					1				648
TP000	C08R1		1-05 *	T00					2				648
TP000	C08R1		1-06 *	T00					1				648
TP000	C12R1		1-07 *	T02					2				648
TP000	D12F2		1-08 *	T04					1				648
TP000	D12F1		1-09 *	T07									648
TP000	D22D1		1-01 *	T02					1				649
TP000	D22H1		1-02 *	T02					2				649
TP000	D12H1		1-03 *	T04S									649
TP000	D12H1		1-04 *	T04S									649
TP01	D12F2			T04S									651
TP1	C10E2		1-01 *	T05					1				652
TP1	D19F1		1-02 *	T07					2				652
TP1	D15D1		1-03 *	T05					1				652
TP1	D12D2		1-04 *	T04S									652
TP1	B10J2		1-01 *	T04					2				653
TP1	C04K2		1-02 *	T00					1				653
TP1	C04L2		1-03 *	T08					2				653
TP1	D08K1		1-04 *	T04S					1				653
TP1	D12C1		1-05 *	T04					2				653
TP1	D21B1		1-06 *	T02					1				653
TP1	D21H1		1-07 *	T02					2				653
TP1	D22L1		1-08 *	T02									653
UNIT SELECT 0	A19B1		1-01 *	T12S					1				654
UNIT SELECT 0	A20V2		1-02 *	T12									654

TC11.F RUN NAME	HND288 , V16(16) PIN NAME	03/31/72 ORDER PIN	BAY - ORDER	Q DRAW	RV	PG	Y	X	Z	REMARKS	24-MAY-72 LENGTH	21112 EXCEPTIONS	PAGE 78 RUN NUMBER
UNIT SELECT 1	A19E1		1-01 *	T12S					1				655
UNIT SELECT 1	A20E2		1-02 *	T12									655
UNIT SELECT 2	A19H1		1-01 *	T12S					1				656
UNIT SELECT 2	A20H2		1-02 *	T12									656
UNIT SELECT 3	A19F2		1-01 *	T12S					1				657
UNIT SELECT 3	A20K2		1-02 *	T12									657
UNIT SELECT 4	A19K1		1-01 *	T12S					1				658
UNIT SELECT 4	A20H2		1-02 *	T12									658
UNIT SELECT 5	A19J2		1-01 *	T12S					1				659
UNIT SELECT 5	A20P2		1-02 *	T12									659
UNIT SELECT 6	A19M1		1-01 *	T12S					1				660
UNIT SELECT 6	A20S2		1-02 *	T12									660
UNIT SELECT 7	A19L2		1-01 *	T12S					1				661
UNIT SELECT 7	A20T2		1-02 *	T12									661
UNIT SELECT DELAY	D09K1		1-01 *	T04S					1				662
UNIT SELECT DELAY	D23F1		1-02 *	T02									662
UNIT SELECT DELAY	D09E2		1-01 *	T04S					1				663
UNIT SELECT DELAY	D14M1		1-02 *	T03									663
UNIT11(0)	D04H2		1-01 *	T11S					1				664
UNIT11(0)	D09J1		1-02 *	T04									664
UNIT11(1)	A18V1		1-01 *	T12					2				665
UNIT11(1)	A12D2		1-02 *	T11S					1				665
UNIT11(1)	A08P1		1-03 *	T17					2				665
UNIT11(1)	D04E2		1-04 *	T11									665
UNIT11(1)	D04J2		1-05 *	T04									665

23-6/8

TC11.F
RUN NAME

A/P PIN NAME
HND288.V16(16) 03/31/72

Q DRAW RV PG Y X Z REMARKS

24-MAY-72 LENGTH EXCEPTIONS

PAGE 79
RUN NUMBER

UNIT NAME	UNIT	RV	PG	Y	X	Z	REMARKS	LENGTH	EXCEPTIONS	PAGE	RUN
UNIT2(1)	1-01						T12			666	666
UNIT2(1)	1-02						T11S			666	666
UNIT2(1)	1-03						T17			666	666
UNIT2(1)	1-04						T04			666	666
UNIT2(1)	1-05						T04			666	666
UNIT3(1)	1-01						T12	24-0/8		667	667
UNIT3(1)	1-02						T11S			667	667
UNIT3(1)	1-03						T17			667	667
UNIT3(1)	1-04						T04			667	667
UNIT3(1)	1-05						T04			667	667
UPS(0(1))	1-01						T04	25-4/8		668	668
UPS(0(1))	1-02						T04			668	668
UPS(0(1))	1-03						T04			668	668
UPS(0(1))	1-04						T24			668	668
UPS(0(1))	1-05						T07			668	668
UPS(0(1))	1-06						T07			668	668
UPS(0(1))	1-07						T04B			668	668
UPS(1(1))	1-01						T18	30-4/8		669	669
UPS(1(1))	1-02						T04			669	669
UPS(1(1))	1-03						T04			669	669
UPS(1(1))	1-04						T04S			669	669
UPS(1(1))	1-05						T07	25-0/8		669	669
WALL	1-01						T02			670	670
WALL	1-02						T02			670	670
WALL	1-03						T05S			670	670
WALL	1-01						T05	15-2/8		671	671
WALL	1-02						T05S			671	671
WALL	1-03						T02			671	671
WALL	1-04						T05			671	671
WALL	1-05						T03			671	671
WALL	1-01						T24S	21-2/8		672	672
WALL	1-02						T24			672	672
WALL	1-03						T05			672	672
WALL	1-04						T05			672	672

TC11.F
RUN NAME

A/P PIN NAME
HND288.V16(16) 03/31/72

Q DRAW RV PG Y X Z REMARKS

24-MAY-72 LENGTH EXCEPTIONS

PAGE 80
RUN NUMBER

UNIT NAME	UNIT	RV	PG	Y	X	Z	REMARKS	LENGTH	EXCEPTIONS	PAGE	RUN
WALL	1-01						T03			673	673
WALL	1-02						T05S	8-0/8		673	673
WCO(0)	1-01						T05			674	674
WCO(0)	1-02						T02S	10-2/8		674	674
WCO(1)	1-01						T05			675	675
WCO(1)	1-02						T02			675	675
WCO(1)	1-03						T02S	15-6/8		675	675
WCOF	1-01						T22S			676	676
WCOF	1-02						T02	8-0/8		676	676
WDATA	1-01						T05S			677	677
WDATA	1-02						T07			677	677
WDATA	1-03						T05			677	677
WDATA	1-04						T05			677	677
WDATA	1-05						T05			677	677
WDATA	1-06						T02			677	677
WDATA	1-07						T02			677	677
WDATA	1-01						T05	25-2/8		678	678
WDATA	1-02						T05S			678	678
WDATA	1-03						T02			678	678
WREN(0)							T02S	13-6/8		678	678
WREN(1)										679	679
WREN(1)	1-01						T12			680	680
WREN(1)	1-02						T12			680	680
WREN(1)	1-03						T02			680	680
WREN(1)	1-04						T02S			680	680
WREN(1)	1-05									680	680
WRITE	1-01						T05	17-0/8		681	681
WRITE	1-02						T05S			681	681
WRITE	1-03						T05			681	681
WRITE	1-04						T05			681	681
WRITE	1-05						T03			681	681

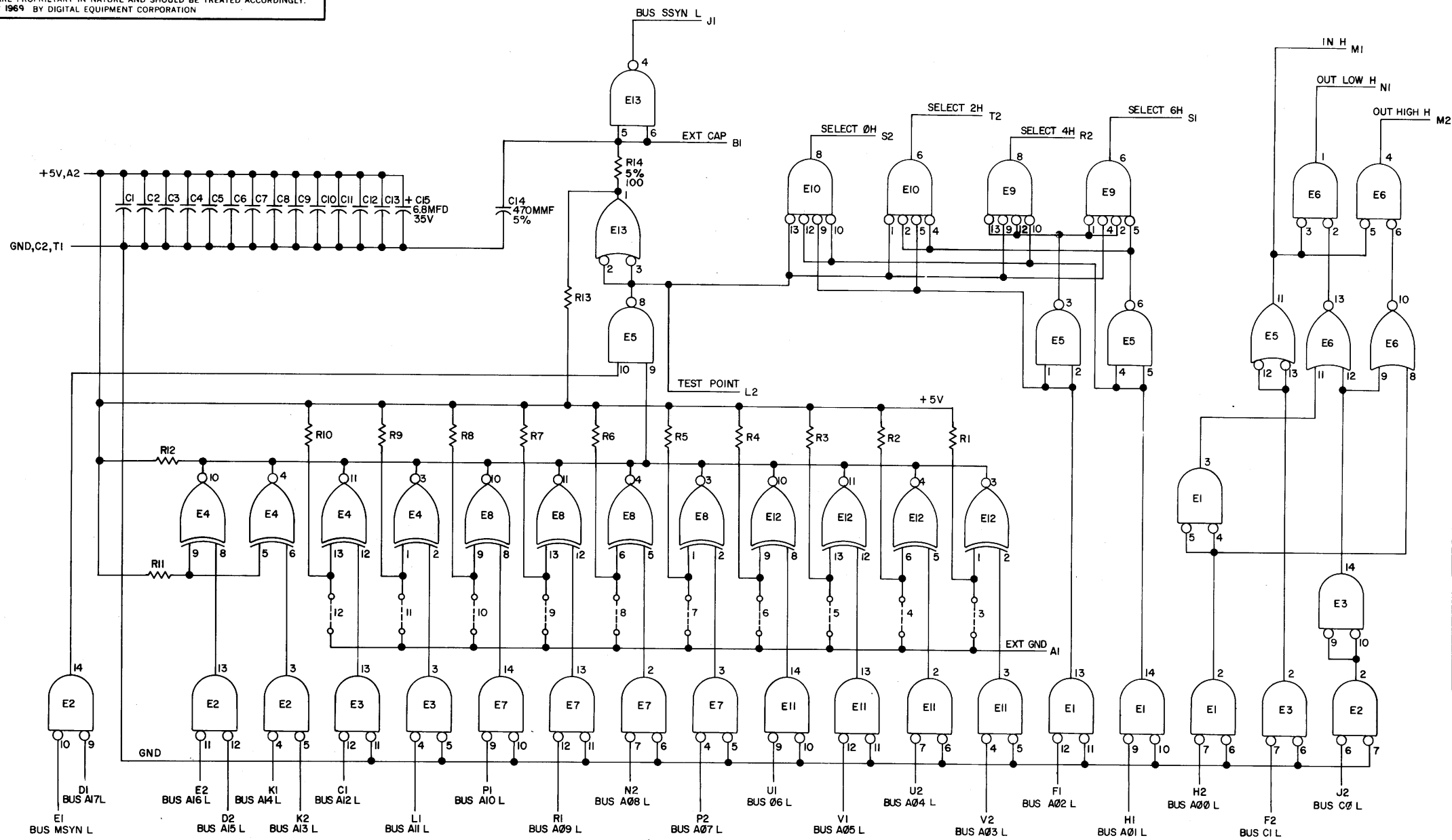
TC11.F RUN NAME	HND288.V49(16) A/P PIN NAME	03/31/72 ORDER PIN	BAY ORDER	0 DRAW RV PG Y	X	Z	REMARKS	24-MAY-72 LENGTH	21112 EXCEPTIONS	PAGE 81 RUN NUMBER
WRITE ECHO	A20S1	819H2	1-01 *	T12S		1		4-2/8		682
WRITE ECHO			1-02 *	T12						682
WRITE OK	CQ3F2		1-01 *	T02		2				683
WRITE OK	Q00A1		1-02 *	T10		1				683
WRITE OK	Q00R2		1-03 *	T12S				14-2/8		683
WRITE OK			1-01 *	T12S		1				684
WRITE OK	C06P2		1-02 *	T12						684
WRITE OK	D06A1		1-03 *	T05				9-6/8		684
WRITE OK			1-01 *	T03		2				685
WRITE OK	D09D2		1-02 *	T05S						685
WRITE OK	C12M2		1-03 *	T02				13-6/8		685
WRITE OK	D21D2		1-01 *	T10		1				686
WRITE OK	B12A1		1-02 *	T05S						686
WRITE OK	C12M1		1-03 *	T05		1				686
WRITE OK	C19L2		1-04 *	T05		1				686
WRITE OK	C19D2		1-05 *	T02		1				686
WRITE OK	D21J2		1-06 *	T04				30-0/8		686
WRITE OK	D09R2		1-01 *	T10		2				687
WRITE OK			1-02 *	T24S		1				687
WRITE OK	C24K2		1-03 *	T24		2				687
WRITE OK	D25U1		1-04 *	T05				17-2/8		687
WRITE OK	D16N1		1-01 *	T03		1				687
WRITE OK			1-02 *	T05S				7-4/8		688
WRITE OK	D09E2		1-01 *	T03		1				688
WRITE OK	D16P1		1-02 *	T05S						688
WRITE OK			1-01 *	T11S		1				689
WRITE OK	A12L1		1-02 *	T10		2		9-0/8		689
WRITE OK	B08D1		1-03 *	T11						689
WRITE OK	B08R2		1-01 *	T11S		1				689
WRITE OK			1-02 *	T10						690
WRITE OK	A12N2		1-03 *	T11S		1		8-6/8		690
WRITE OK	B08E1		1-01 *	T10						690
WRITE OK	B08L2		1-02 *	T11						690
WRITE OK			1-03 *	T11						690

TC11.F RUN NAME	HND288.V49(16) A/P PIN NAME	03/31/72 ORDER PIN	BAY ORDER	0 DRAW RV PG Y	X	Z	REMARKS	24-MAY-72 LENGTH	21112 EXCEPTIONS	PAGE 82 RUN NUMBER
XINIT	A08K2		1-01 *			2		14-6/8		691
XINIT	B12S2		1-02 *							691
XINIT	C21S1		1-03 *							691
XINIT			1-01 *							692
ZDAT	D17J1		1-02 *	T09		2		7-4/8		692
ZDAT	D17S2		1-03 *	T09						692
ZDAT	D20R1		1-01 *	T05S						692
ZLPB	D07A1		1-02 *	T03		2				693
ZLPB	S10E1		1-03 *	T07S		1				693
ZLPB	C15A1		1-04 *	T06						693
ZLPB	C13K2		1-05 *	T06		1				693
ZLPB	D19L2		1-01 *	T02				20-0/8		693

ERROR LISTING

WIRE WRAP RUN NAME	A/P	NAME	ORDER	DAY	Q	DRAM	RV	PG	Y	X	Z	REMARKS	LENGTH	EXCEPTIONS	PAGE 1 RUN NUMBER
8088	L	AG8B1		83/31/72		T138								1-PIN RUN	117
D13N1	H	D13N1				T058								1-PIN RUN	339
DO STROBE	H	D13R2				T066								1-PIN RUN	433
LP80(0)	H	C13V1				T068								1-PIN RUN	485
LP81(0)	H	C13U1				T068								1-PIN RUN	489
LP82(0)	H	C13M1				T068								1-PIN RUN	491
LP84(0)	H	C13J1				T068								1-PIN RUN	495
LP85(0)	H	D07M1				T038								1-PIN RUN	502
MK BLK END	H	D13U1				T078								1-PIN RUN	504
MK BLK MK	H	C13D2				T078								1-PIN RUN	507
MK BLK SYNC	L	C13S2				T078								1-PIN RUN	510
MK BLK SYNC	L	D13T2				T078								1-PIN RUN	511
MK DATA	L	D13P2				T078								1-PIN RUN	512
MK DATA SYNC	L	C13J1				T078								1-PIN RUN	515
NEW UNIT SELECT	L	B132				T048								1-PIN RUN	522
NPR DATA CLEAR	H	B13R2				T085								1-PIN RUN	527
NPR DATA STROBE	H	B13M2				T085								1-PIN RUN	529
NPR DATA TO BUS	H	B13E2				T085								1-PIN RUN	531
READ D0	H	B13U2				T128								1-PIN RUN	562
READ D1	H	B13U2				T128								1-PIN RUN	564
READ D2	H	B13U2				T128								1-PIN RUN	566
READ MK	H	A13U2				T128								1-PIN RUN	568
READY TH	H	A13U2				T128								1-PIN RUN	570
READY ENB(0)	H	D13R2				T075								1-PIN RUN	572
SYNC	L	D13F2				T075								1-PIN RUN	634
TP01	L	D13K2				T048								1-PIN RUN	651
WREN(0)	H	D13K2				T025								1-PIN RUN	679

THIS SCHEMATIC IS FURNISHED ONLY FOR TEST AND MAINTENANCE PURPOSES. THE CIRCUITS ARE PROPRIETARY IN NATURE AND SHOULD BE TREATED ACCORDINGLY. COPYRIGHT 1969 BY DIGITAL EQUIPMENT CORPORATION.



UNLESS OTHERWISE INDICATED:
 ○---○ INDICATES JUMPERS
 RESISTORS ARE 1K, 1/4W, 5%
 CAPACITORS ARE 0.1MFD, 100V, 20%
 E1, E2, E3, E7, E11 ARE DEC380
 E4, E8, E12 ARE DEC8242
 E9, E10 ARE DEC8815
 E5 IS DEC7400
 E6 IS DEC7402
 E13 IS DEC8881
 PIN 1 ON E1, E2, E3, E7, E11 = GND
 PIN 8 ON E1, E2, E3, E7, E11 = +5V
 PIN 7 ON E4, E5, E6, E8, E9, E10, E12, E13 = GND
 PIN 14 ON E4, E5, E6, E8, E9, E10, E12, E13 = +5V

REV.	BY	DATE
1	LR	11-26-69
2	LR	1-9-70
3	LR	1-9-70
4	LR	1-9-70

REV.	BY	DATE
1	LR	11-26-69
2	LR	1-9-70
3	LR	1-9-70
4	LR	1-9-70

REV.	BY	DATE
1	LR	11-26-69
2	LR	1-9-70
3	LR	1-9-70
4	LR	1-9-70

REV.	BY	DATE
1	LR	11-26-69
2	LR	1-9-70
3	LR	1-9-70
4	LR	1-9-70

REV.	BY	DATE
1	LR	11-26-69
2	LR	1-9-70
3	LR	1-9-70
4	LR	1-9-70

REV.	BY	DATE
1	LR	11-26-69
2	LR	1-9-70
3	LR	1-9-70
4	LR	1-9-70

REV.	BY	DATE
1	LR	11-26-69
2	LR	1-9-70
3	LR	1-9-70
4	LR	1-9-70

REV.	BY	DATE
1	LR	11-26-69
2	LR	1-9-70
3	LR	1-9-70
4	LR	1-9-70

DEC FORM NO. DRC 102

15 449-P6

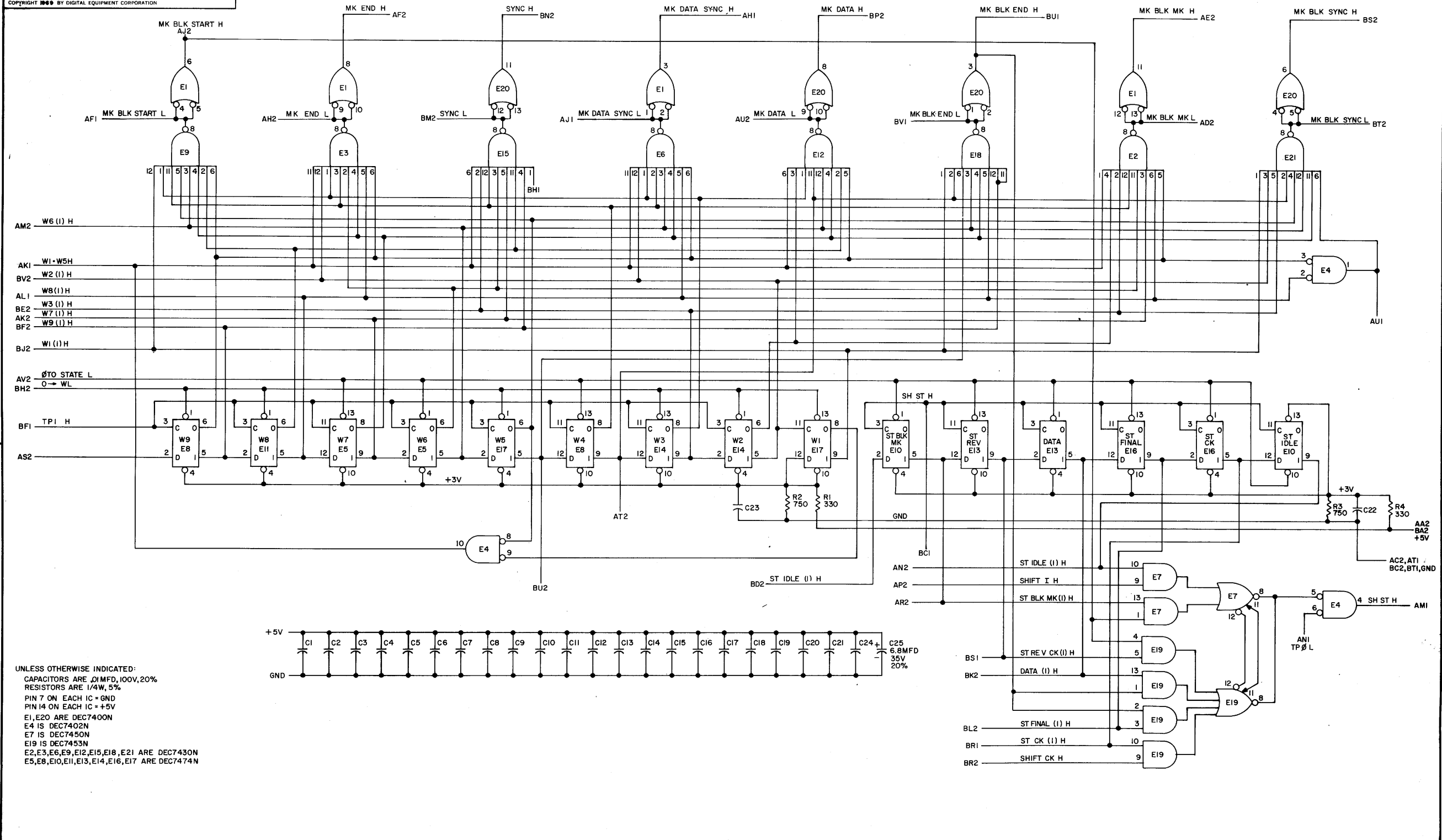
Dist. 3-1-70

5

20

REV. B
 NUMBER MI05-0-1
 C CS

THIS SCHEMATIC IS FURNISHED ONLY FOR TEST AND MAINTENANCE PURPOSES. THE CIRCUITS ARE PROPRIETARY IN NATURE AND SHOULD BE TREATED ACCORDINGLY. COPYRIGHT © BY DIGITAL EQUIPMENT CORPORATION

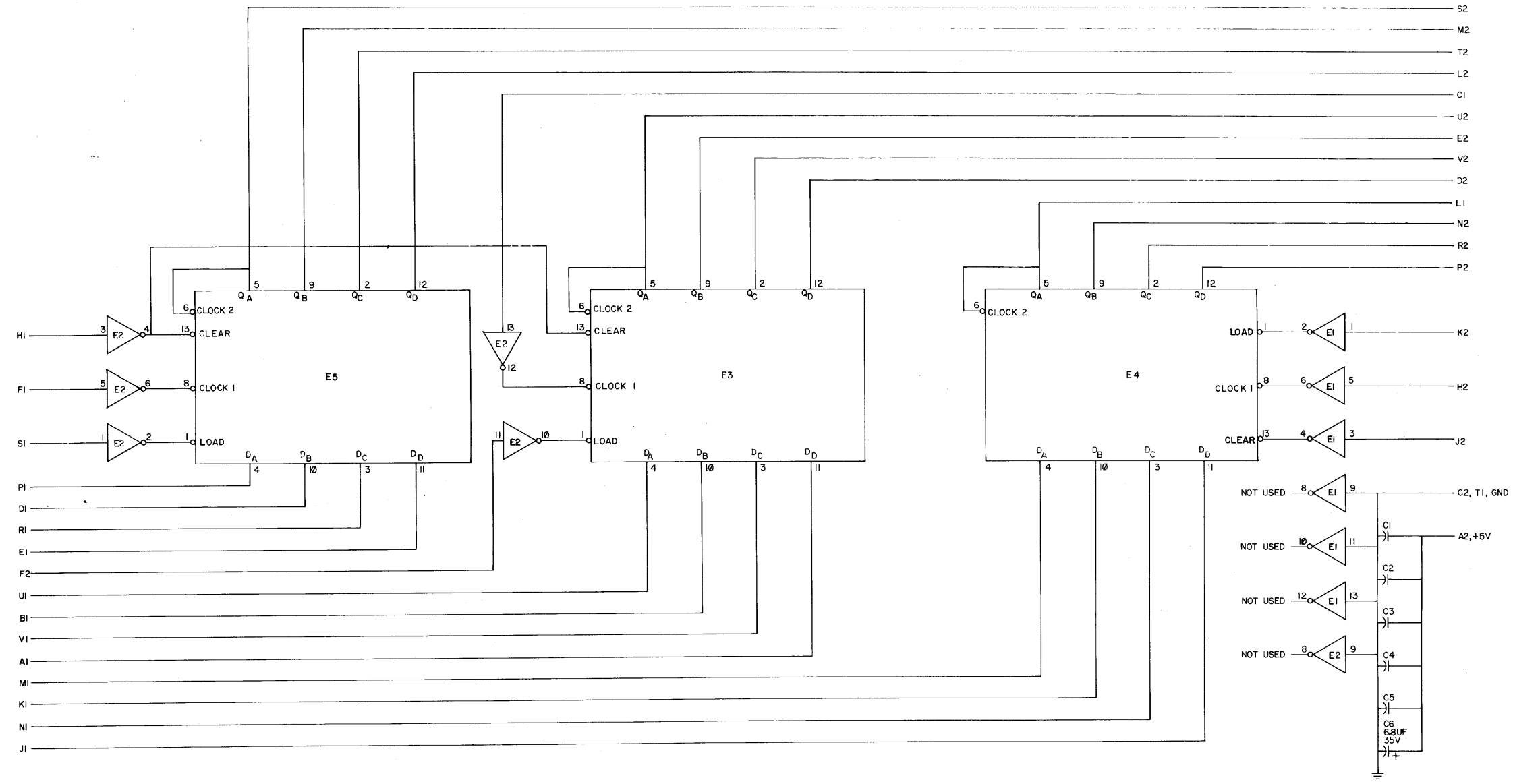


UNLESS OTHERWISE INDICATED:
CAPACITORS ARE .01MFD, 100V, 20%
RESISTORS ARE 1/4W, 5%
PIN 7 ON EACH IC = GND
PIN 14 ON EACH IC = +5V
E1, E20 ARE DEC7400N
E4 IS DEC7402N
E7 IS DEC7450N
E19 IS DEC7453N
E2, E3, E6, E9, E12, E15, E18, E21 ARE DEC7430N
E5, E8, E10, E11, E13, E14, E16, E17 ARE DEC7474N

REVISIONS DATE BY	DRN	DATE	TRANSISTOR & DIODE CONVERSION CHART				TITLE MARK TRACK DECODER M228	SIZE D	CODE CS	NUMBER M228-0-1	REV. A
	DATE	DATE	DEC	EIA	DEC	EIA					
	BUTLER	8.8.69									
	DATE	DATE									
	DATE	DATE									
	DATE	DATE									

REV. 1
MARK TRACK
DECODER M228-0-1

THIS SCHEMATIC IS FURNISHED ONLY FOR TEST AND MAINTENANCE PURPOSES. THE CIRCUITS ARE PROPRIETARY IN NATURE AND SHOULD BE TREATED ACCORDINGLY. COPYRIGHT 1968 BY DIGITAL EQUIPMENT CORPORATION



UNLESS OTHERWISE INDICATED:
 CAPACITORS ARE .01UF, 100V, 20%
 E3, E4, E5 ARE DEC74197
 E1, E2 ARE DEC74H04
 ON ALL IC'S PIN 14 = +5V, PIN 7 = GND

REV. A
 NUMBER
 D CS M239-0-1

REV.	CHG.	NO.	REV.
1	1	1	A

DESIGNER	DATE
Jeanne french	8/25/70

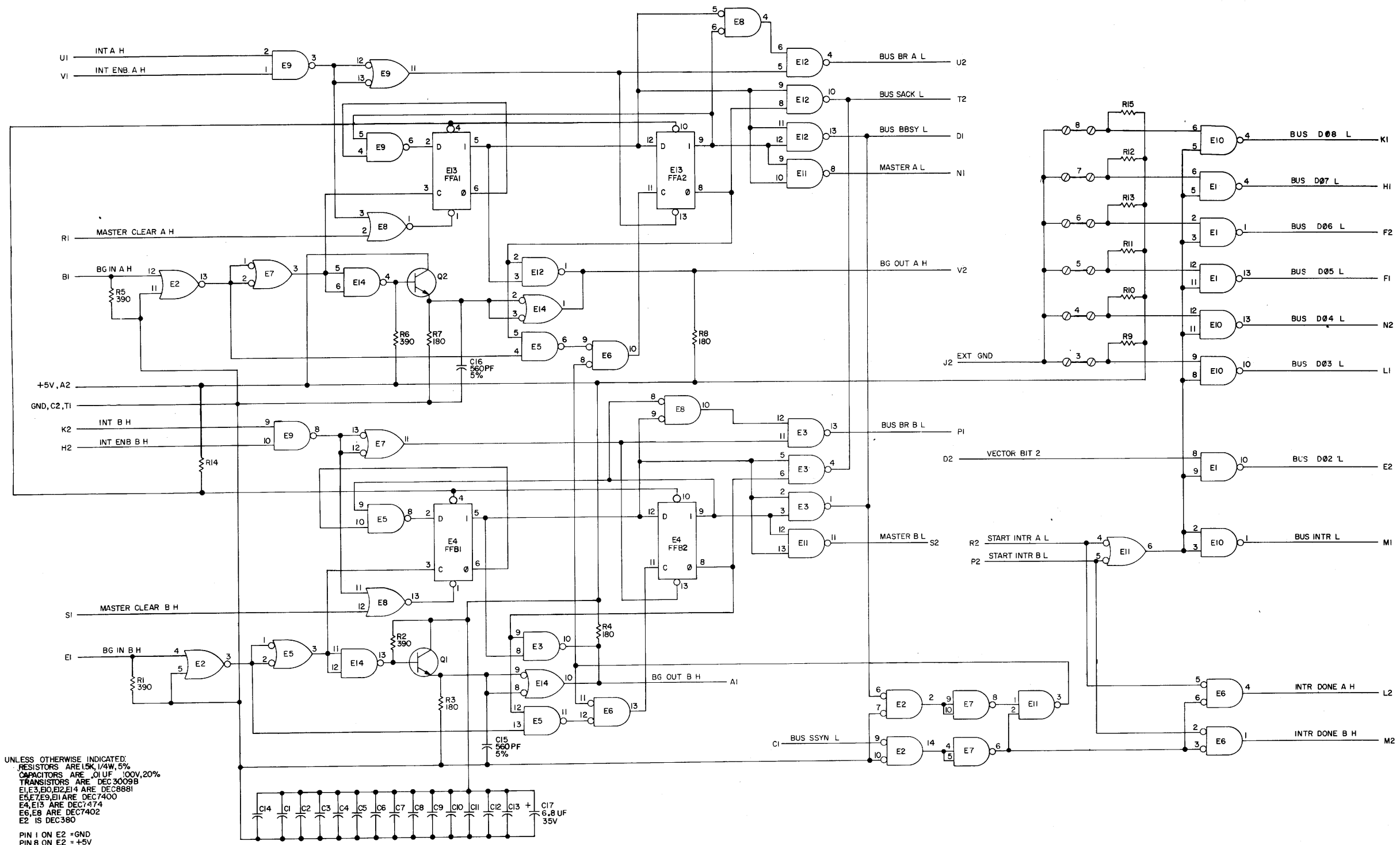
TRANSISTOR & DIODE CONVERSION CHART			
DEC	EIA	DEC	EIA

digital
 EQUIPMENT CORPORATION
 MAYFORD, MASSACHUSETTS

TITLE		NUMBER		REV.
THREE 4-BIT COUNTER/REGISTER		M239-0-1		A
SIZE	CODE	PRINTED CIRCUIT REV.		
D	CS	A		

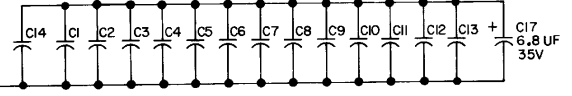
Pink

THIS SCHEMATIC IS FURNISHED ONLY FOR TEST AND MAINTENANCE PURPOSES. THE CIRCUITS ARE PROPRIETARY IN NATURE AND SHOULD BE TREATED ACCORDINGLY. COPYRIGHT 1970 BY DIGITAL EQUIPMENT CORPORATION.



UNLESS OTHERWISE INDICATED:
RESISTORS ARE 1/4W, 5%
CAPACITORS ARE .01 UF 50V, 20%
TRANSISTORS ARE DEC 3009B
E1, E3, E10, E12, E14 ARE DEC 8881
E5, E7, E9, E11 ARE DEC 7400
E4, E13 ARE DEC 7474
E6, E8 ARE DEC 7402
E2 IS DEC 380

PIN 1 ON E2 = GND
PIN 8 ON E2 = +5V
PIN 7 ON E1, E3 - E14 = GND
PIN 14 ON E1, E3 - E14 = +5V
⊗ = SPLIT LUGS
— = JUMPERS



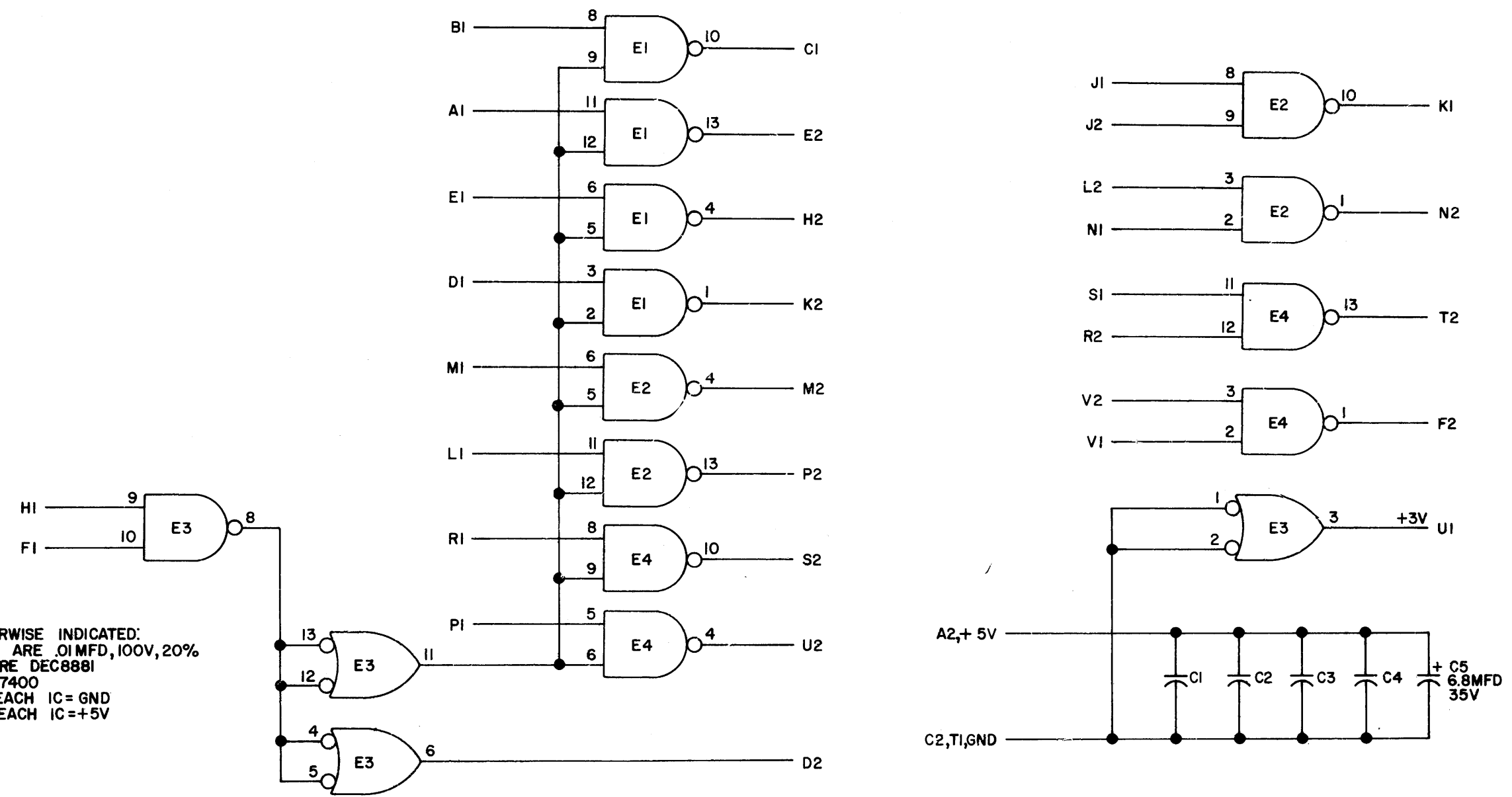
REV	DATE	BY	CHKD
1	12/18/70	S. COOPER	
2	1/11/71	W. B. WOOD	
3	7-2-71		

TRANSISTOR & DIODE CONVERSION CHART			
DATE	DEC	EIA	DATE
DEC 30 1969		2N3009B	

digital		EQUIPMENT CORPORATION		MAYFORD, MASSACHUSETTS	
M7820-0-1		M7820-0-1		M7820-0-1	
REV B		REV B		REV B	

REV B
M7820-0-1

THIS SCHEMATIC IS FURNISHED ONLY FOR TEST AND MAINTENANCE PURPOSES. THE CIRCUITS ARE PROPRIETARY IN NATURE AND SHOULD BE TREATED ACCORDINGLY. COPYRIGHT 1969 BY DIGITAL EQUIPMENT CORPORATION

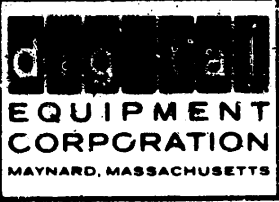


UNLESS OTHERWISE INDICATED:
CAPACITORS ARE .01 MFD, 100V, 20%
E1, E2, E4 ARE DEC8881
E3 IS DEC7400
PIN 7 ON EACH IC = GND
PIN 14 ON EACH IC = +5V

REVISIONS	CHK	CHG NO.	REV.

DRN.	<i>D. Patey</i>	DATE	11-21-69
CHK'D	<i>T. M. ...</i>	DATE	1-7-70
ENG.	<i>V. E. ...</i>	DATE	2/25/70
PROD.		DATE	

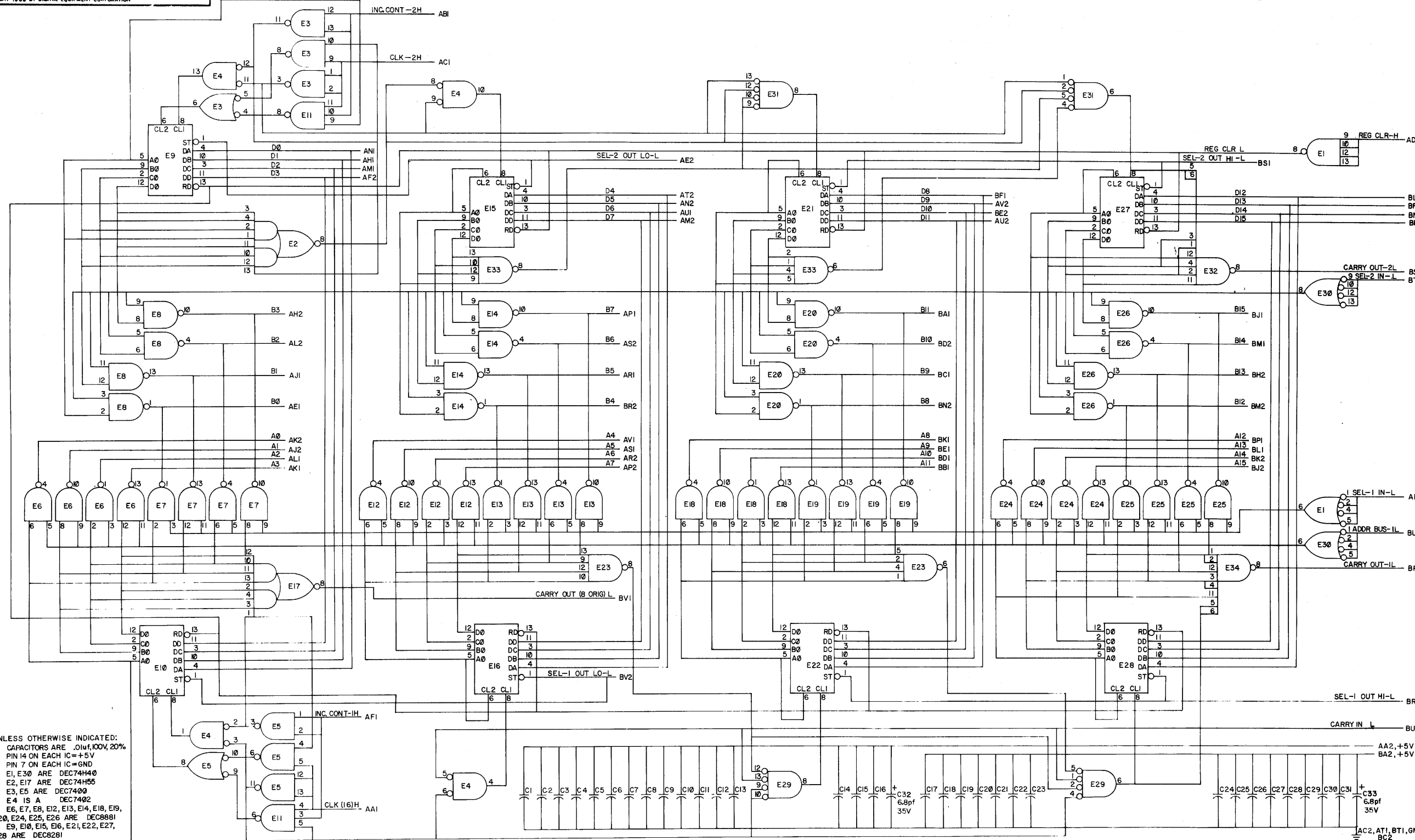
TRANSISTOR & DIODE CONVERSION CHART			
DEC	EIA	DEC	EIA



TITLE			
UNIBUS DRIVERS M783			
SIZE	CODE	NUMBER	REV.
B	CS	M783-0-1	
PRINTED CIRCUIT REV.			A B

THIS SCHEMATIC IS FURNISHED ONLY FOR TEST AND MAINTENANCE PURPOSES. THE CIRCUITS ARE PROPRIETARY IN NATURE AND SHOULD BE TREATED ACCORDINGLY. COPYRIGHT 1969 BY DIGITAL EQUIPMENT CORPORATION.

9
A28
1-0-96LW
SC
D
32021 32025



UNLESS OTHERWISE INDICATED:
CAPACITORS ARE .01uF, 100V, 20%
PIN 14 ON EACH IC = +5V
PIN 7 ON EACH IC = GND
E1, E30 ARE DEC74H40
E2, E17 ARE DEC74H55
E3, E5 ARE DEC7400
E4 IS A DEC7402
E6, E7, E8, E12, E13, E14, E18, E19,
E20, E24, E25, E26 ARE DEC8881
E9, E10, E15, E16, E21, E22, E27,
E28 ARE DEC8281
E11 IS A DEC7410
E33, E23 ARE DEC7420
E29, E31 ARE DEC8815
E32, E34 ARE DEC7430

REV	DATE	BY	CHKD
1	7-8-70	jeanne french	
2			
3			
4			

DATE	BY	DATE	BY
7-8-70	jeanne french		

TRANSISTOR & DIODE CONVERSION CHART			
DEC	EIA	DEC	EIA

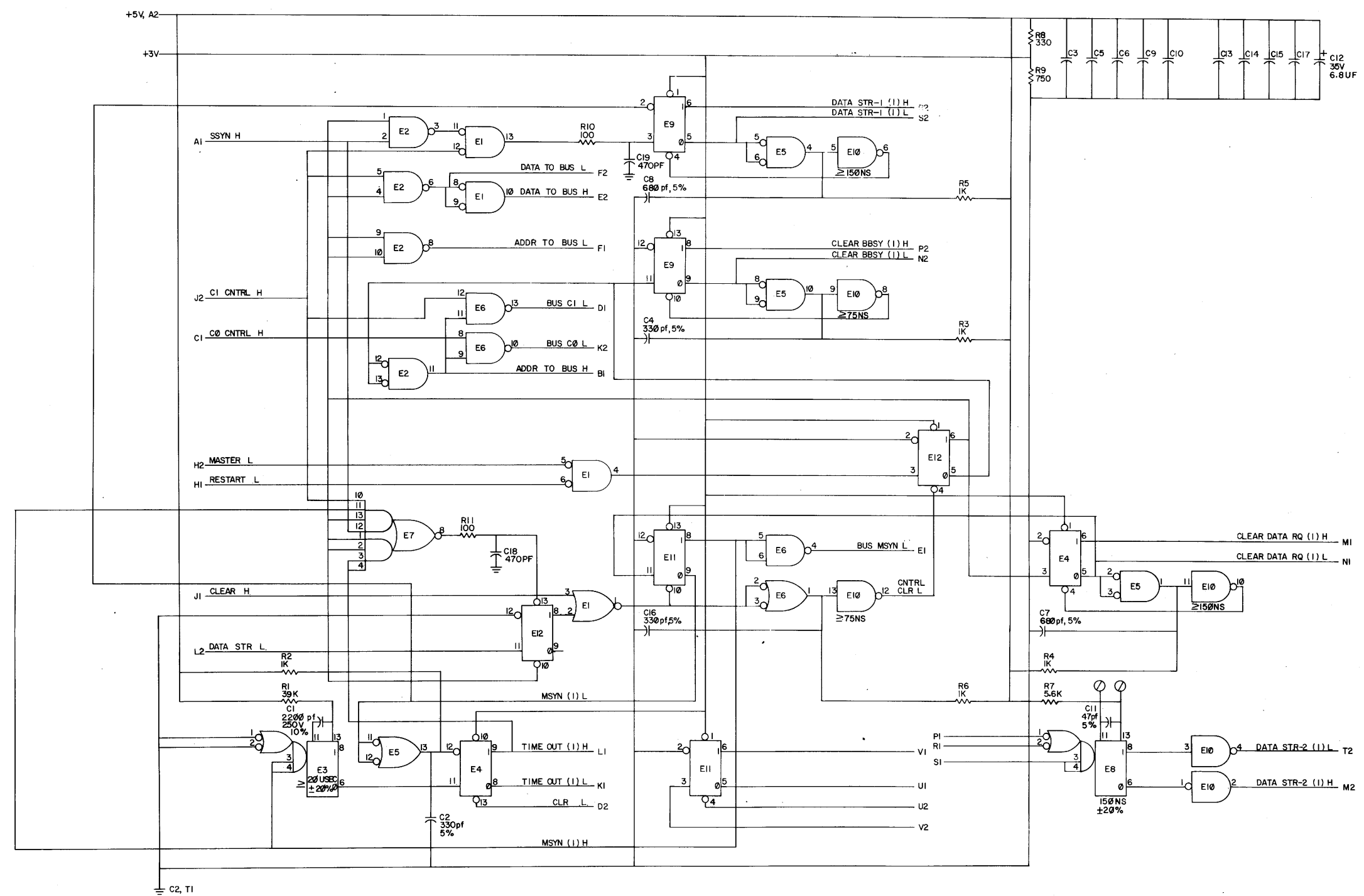
digital EQUIPMENT CORPORATION
MAYNARD, MASSACHUSETTS

TITLE: WC AND CMA MODULE M795
NUMBER: M795-0-1
PRINTED CIRCUIT REV: A|B|C

SIZE: D CS
REV: B

FILE CODE D CS
 NUMBER M795-0-1
 REV B

THIS SCHEMATIC IS FURNISHED ONLY FOR TEST AND MAINTENANCE PURPOSES. THE CIRCUITS ARE PROPRIETARY IN NATURE AND SHOULD BE TREATED ACCORDINGLY. COPYRIGHT 1970 BY DIGITAL EQUIPMENT CORPORATION



UNLESS OTHERWISE INDICATED:
 RESISTORS ARE 1/4W, 5%
 CAPACITORS ARE .01uF, 100V, 20%
 E1 IS DEC7402
 E2 IS DEC7400
 E3, E8 ARE DEC9601
 E4, E9, E11, E12 ARE DEC7474
 E5 IS DEC7401
 E6 IS DEC8881
 E7 IS DEC74H55
 E10 IS DE7404
 ⊕ = SPLIT LUGS

REV	NO	REV	DATE
1	00001	4	
2	00001	8	
3	00001	C	
4	00001	1	

DATE 10/29/70
 DATE 12/22/70
 DATE 2/21/73

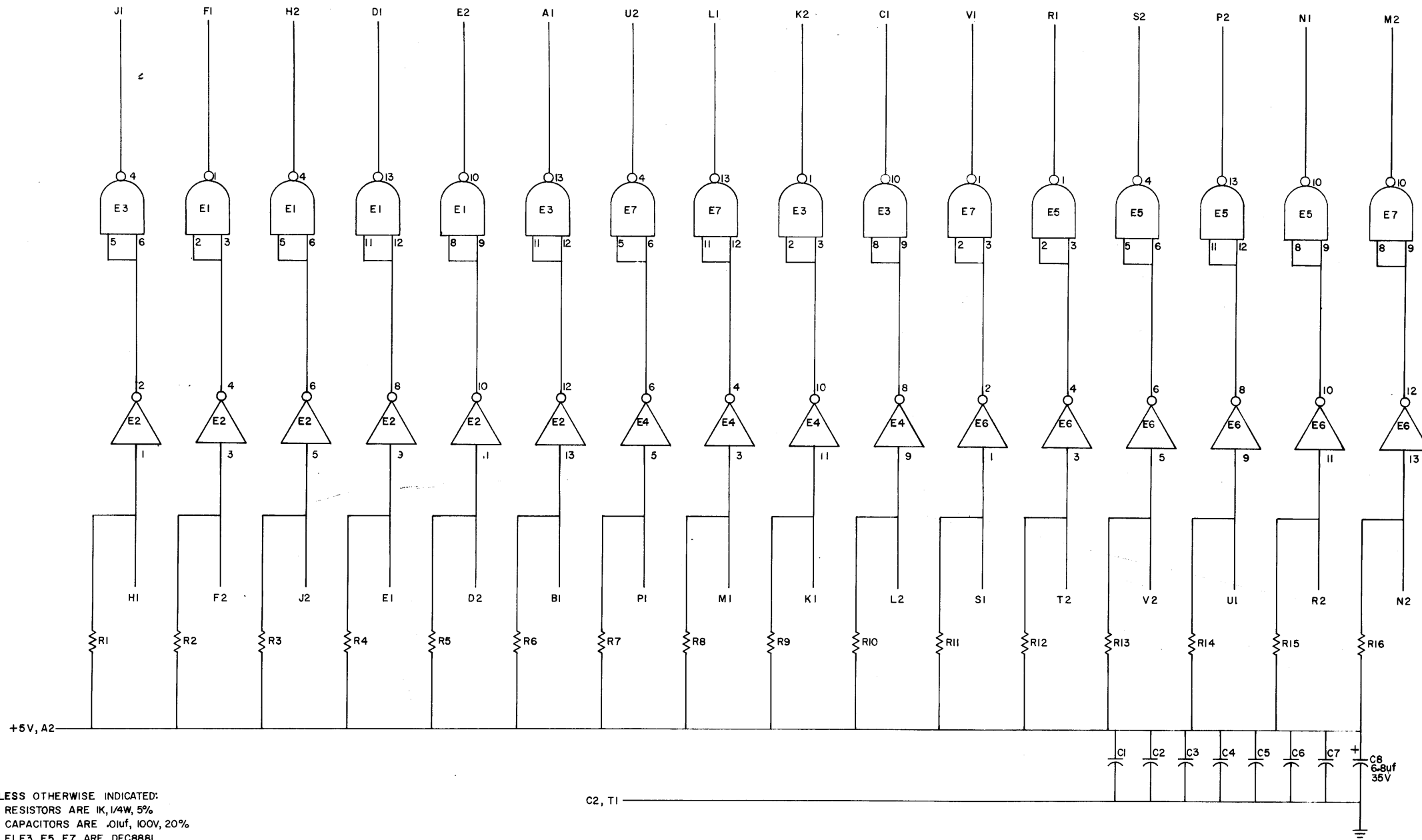
TRANSISTOR & DIODE CONVERSION CHART			
DEC	EIA	DEC	EIA

digital
EQUIPMENT CORPORATION
 MATHEW, MASSACHUSETTS

TITLE: UNIBUS MASTER CONTROL M7.96
 NUMBER: M796-0-1
 PRINTED CIRCUIT REV: C

REV C
 NUMBER M796-0-1
 CS D

THIS SCHEMATIC IS FURNISHED ONLY FOR TEST AND MAINTENANCE PURPOSES. THE CIRCUITS ARE PROPRIETARY IN NATURE AND SHOULD BE TREATED ACCORDINGLY. COPYRIGHT 1970 BY DIGITAL EQUIPMENT CORPORATION



UNLESS OTHERWISE INDICATED:
 RESISTORS ARE 1K, 1/4W, 5%
 CAPACITORS ARE .01uF, 100V, 20%
 E1, E3, E5, E7 ARE DEC8881
 E2, E4, E6 ARE DEC7404

REV. A
 NUMBER M798-0-1
 SIZE CODE C CS

REVISIONS	CHK	CHG	NO.	REV.
			00001	A

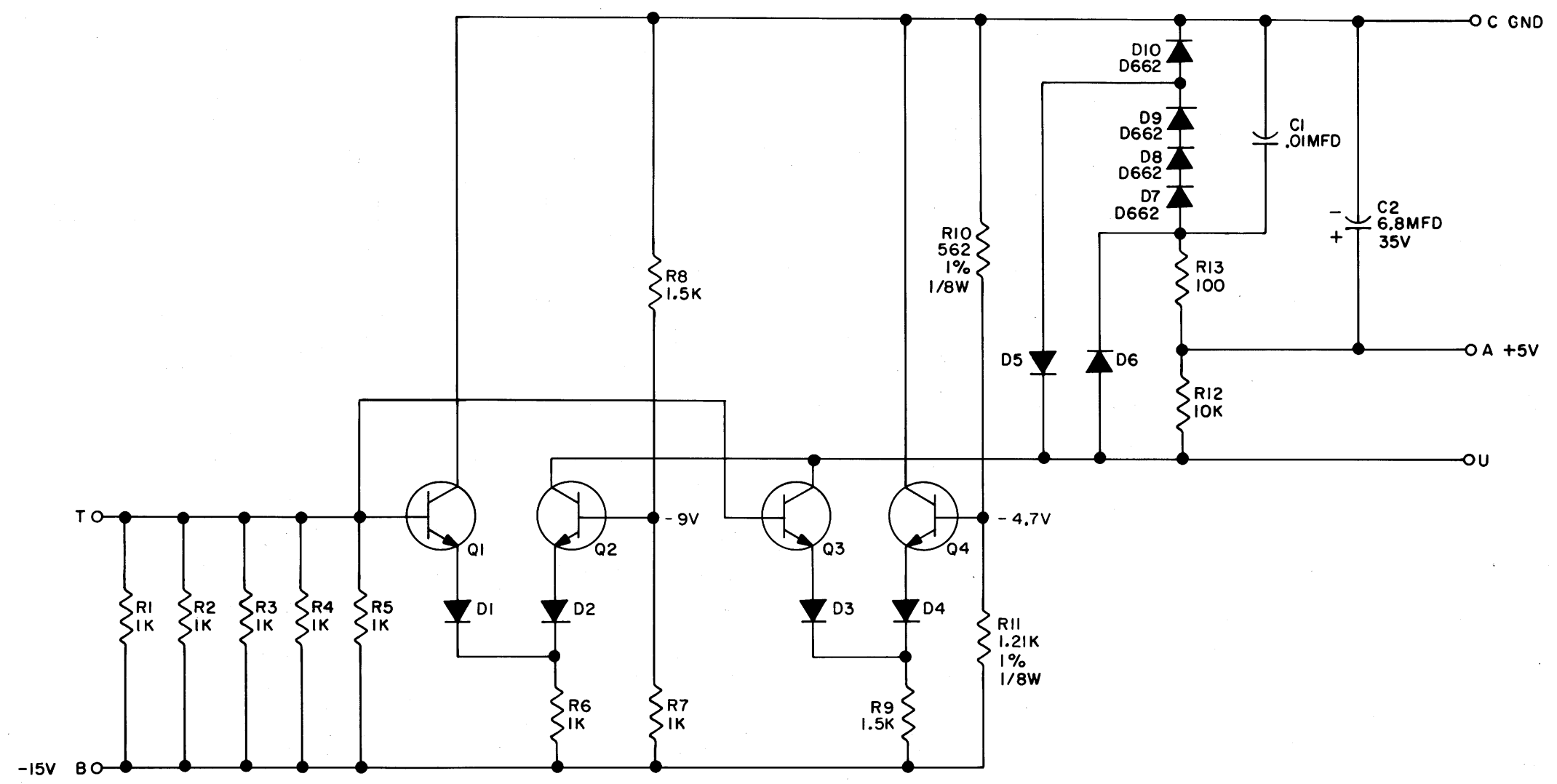
DRN. <i>James French</i>	DATE 7/1/70
CHK'D <i>J. P. M...</i>	DATE 7-28-70
ENG. <i>G. E...</i>	DATE 8/1/70
PROD.	DATE

TRANSISTOR & DIODE CONVERSION CHART			
DEC	EIA	DEC	EIA

digital EQUIPMENT CORPORATION
 MAYNARD, MASSACHUSETTS

TITLE UNIBUS DRIVER M798
 NUMBER M798-0-1
 REV. A
 PRINTED CIRCUIT REV. B

THIS SCHEMATIC IS FURNISHED ONLY FOR TEST AND MAINTENANCE PURPOSES. THE CIRCUITS ARE PROPRIETARY IN NATURE AND SHOULD BE TREATED ACCORDINGLY. COPYRIGHT 1969 BY DIGITAL EQUIPMENT CORPORATION



UNLESS OTHERWISE INDICATED:
 RESISTORS ARE 1/4W, 5%
 DIODES ARE D664
 TRANSISTORS ARE DEC3009B

REVISIONS	CHK	CHG NO.	REV.

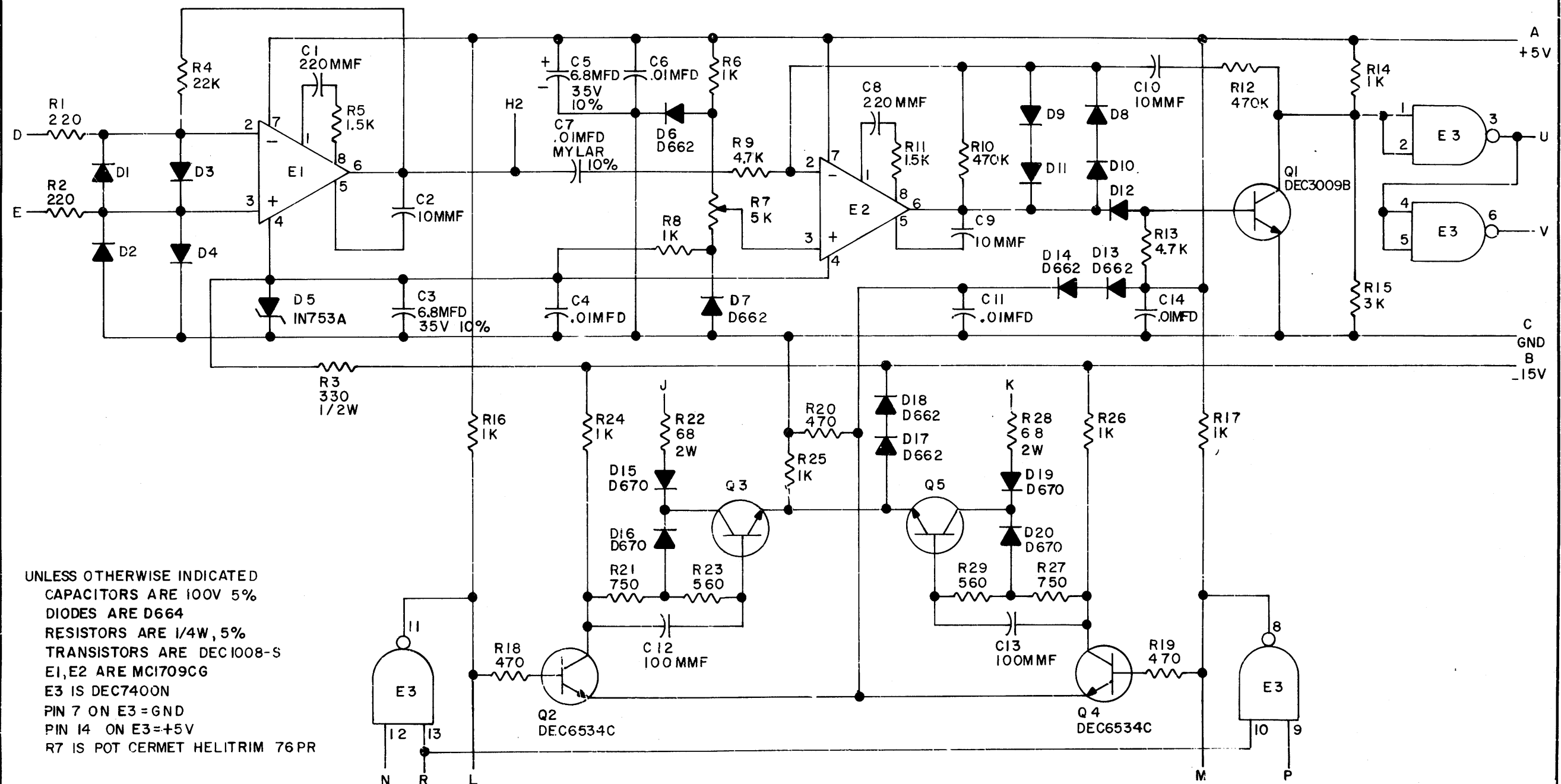
DRN.	DATE
BUTLER	7/2/69
CHK'D	DATE
Q. Yang	7/7/69
ENGR.	DATE
D. Zuber	8/13/69
PROD.	DATE

TRANSISTOR & DIODE CONVERSION CHART			
DEC	EIA	DEC	EIA
D664	IN3606		
D662	IN645		
DEC3009B	2N3009		

digital
 EQUIPMENT CORPORATION
 MAYNARD, MASSACHUSETTS

TITLE			
TRANSPORT DETECTOR G879			
SIZE	CODE	NUMBER	REV.
B	CS	G879-0-1	
PRINTED CIRCUIT REV.			A

THIS SCHEMATIC IS FURNISHED ONLY FOR TEST AND MAINTENANCE PURPOSES. THE CIRCUITS ARE PROPRIETARY IN NATURE AND SHOULD BE TREATED ACCORDINGLY. COPYRIGHT 1969 BY DIGITAL EQUIPMENT CORPORATION



UNLESS OTHERWISE INDICATED
 CAPACITORS ARE 100V 5%
 DIODES ARE D664
 RESISTORS ARE 1/4W, 5%
 TRANSISTORS ARE DEC1008-S
 E1, E2 ARE MC1709CG
 E3 IS DEC7400N
 PIN 7 ON E3 = GND
 PIN 14 ON E3 = +5V
 R7 IS POT CERMET HELITRIM 76 PR

REVISIONS	CHK	CHG	NO	REV

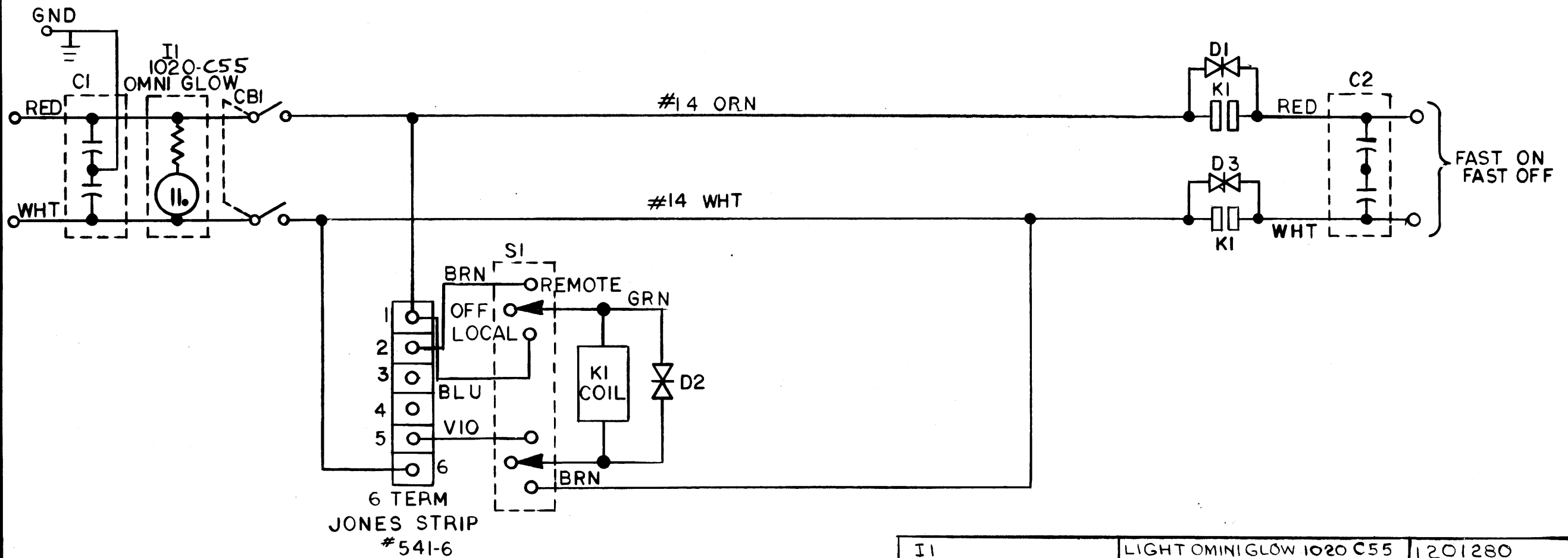
DRN. <i>A. Clemens</i>	DATE 8-29-69
CHK'D <i>J. P. Hallett</i>	DATE 9/3/69
ENG. <i>J. Calver</i>	DATE 9/25/69
PROD.	DATE

TRANSISTOR & DIODE CONVERSION CHART			
DEC		EIA	
D664	IN3606	DEC1008-S	MM1008
D662	IN645		
D670	SAME		
DEC3009B	2N3009B		
DEC6534C	MPS6534		

digital
 EQUIPMENT CORPORATION
 MAYNARD, MASSACHUSETTS

TITLE MANCHESTER READER/WRITER G888			
SIZE B	CODE CS	NUMBER G888-0-1	REV.
PRINTED CIRCUIT REV. A			

THIS SCHEMATIC IS FURNISHED ONLY FOR TEST AND MAINTENANCE PURPOSES. THE CIRCUITS ARE PROPRIETARY IN NATURE AND SHOULD BE TREATED ACCORDINGLY. COPYRIGHT 1968 BY DIGITAL EQUIPMENT CORPORATION



I1	LIGHT OMNI GLOW 1020 C55	1201280
D1, D2, D3	DIODE THY 6RS20SP4B4	1100106
CBI	CIR BREAKER*190-220-104	1201218
K1	RELAY EM-4, 115V	1205768
SI	TOGGLE SW CH 7563K6	1205964
C1 & C2	CAP. 2X .1MFD 1KVDC	1000034
	PARTS LIST	A-PL-854-0-0
REF DESIGNATION	DESCRIPTION	PART NO

PARTS LIST

REVISIONS CHG NO. REV. 00002 A LEB [Signature]	DRN. P. LeBlanc DATE 10-21-68	TRANSISTOR & DIODE CONVERSION CHART DEC EIA DEC EIA		TITLE POWER CONTROL 854	
	ENG. G. GERELDS DATE 11/13/68			PROD. G. GERELDS DATE 11/15/68	SIZE B CODE CS NUMBER 854-0-1 REV. A