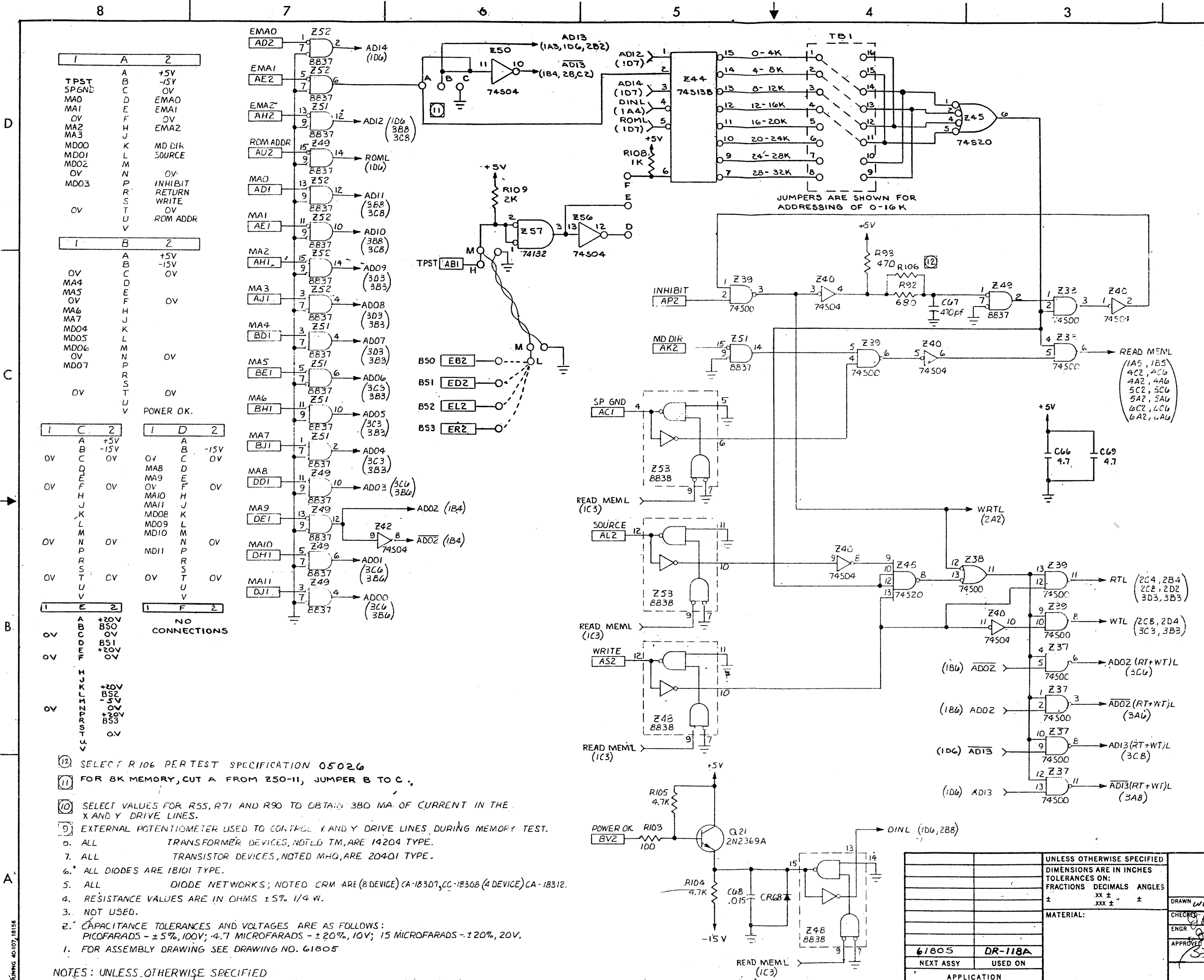


REVISIONS				
ZONE	LTR	DESCRIPTION	DATE	APPROVED
A		RELEASED TO DRC PRODUCTION	3/31/76	[Signature]
B		ECN 898	9/21/76	[Signature]
C		ECN 1540	30/JAN/79	RK
D		ECN 1614	27/MAR/79	RK



INITIAL ADDRESS	TBI (PIN NUMBERS)							
	1	2	3	4	5	6	7	8
0	0	0	0	0	0	0	0	0
4K	0	0	0	0	0	0	0	0
8K	0	0	0	0	0	0	0	0
12K	0	0	0	0	0	0	0	0
16K	0	0	0	0	0	0	0	0
20K	0	0	0	0	0	0	0	0
24K	0	0	0	0	0	0	0	0

8K MEMORY NOTED "O"  
16K MEMORY NOTED "X"

- 12. SELECT R106 PER TEST SPECIFICATION 05026
- 11. FOR 8K MEMORY, CUT A FROM Z50-11, JUMPER B TO C.
- 10. SELECT VALUES FOR R55, R71 AND R90 TO OBTAIN 380 MA OF CURRENT IN THE X AND Y DRIVE LINES.
- 9. EXTERNAL POTENTIOMETER USED TO CONTROL X AND Y DRIVE LINES DURING MEMORY TEST.
  - 5. ALL TRANSFORMER DEVICES, NOTED TM, ARE 14204 TYPE.
  - 7. ALL TRANSISTOR DEVICES, NOTED MHQ, ARE 20401 TYPE.
  - 6. ALL DIODES ARE 1B101 TYPE.
  - 5. ALL DIODE NETWORKS; NOTED CRM ARE (8 DEVICE) CA-1B307, CC-1B308 (4 DEVICE) CA-1B312.
  - 4. RESISTANCE VALUES ARE IN OHMS ±5% 1/4 W.
  - 3. NOT USED.
- 2. CAPACITANCE TOLERANCES AND VOLTAGES ARE AS FOLLOWS:
  - PICOFARADS - ±5%, 100V; 4.7 MICROFARADS - ±20%, 10V; 15 MICROFARADS - ±20%, 20V.
- 1. FOR ASSEMBLY DRAWING SEE DRAWING NO. 61805

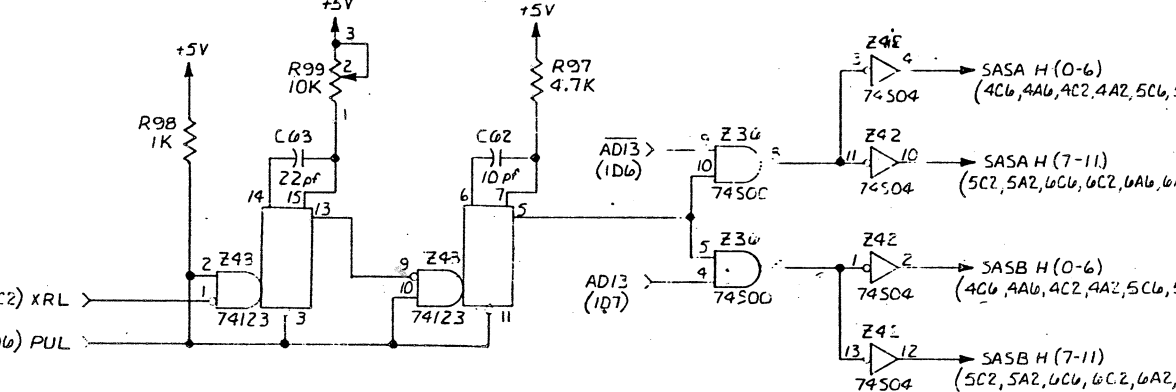
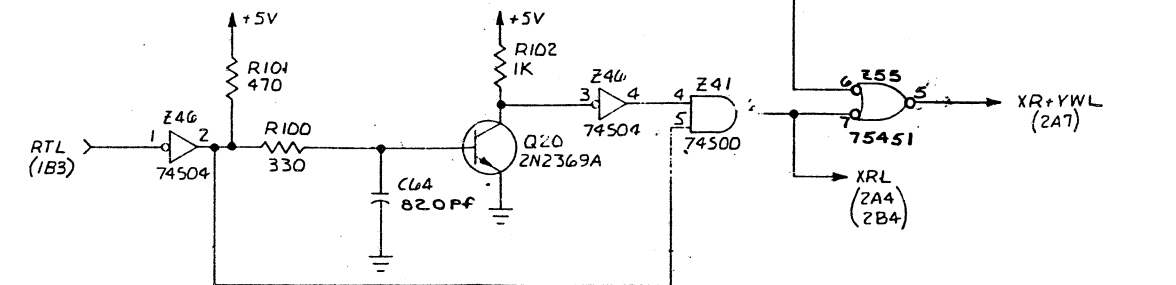
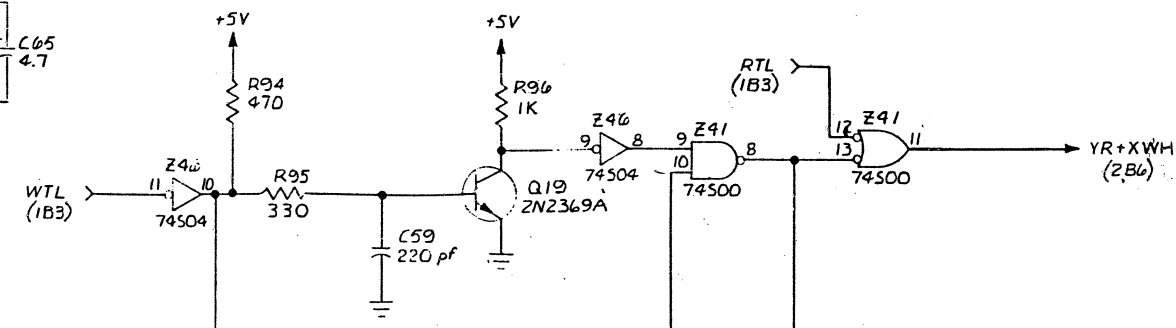
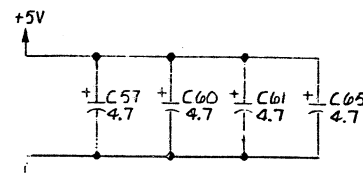
NOTES: UNLESS OTHERWISE SPECIFIED

UNLESS OTHERWISE SPECIFIED DIMENSIONS ARE IN INCHES TOLERANCES ON: FRACTIONS DECIMALS ANGLES ± .xx ± .xxx ± ±		<b>DATARAM CORPORATION</b> CRANBURY NEW JERSEY	
MATERIAL:		SCHEMATIC DIAGRAM <b>DR-118A MEMORY SYSTEM</b> 16K X 12 BITS*	
DRAWN: WJSTW CHECKED: [Signature] ENGR: [Signature] APPROVED: [Signature]	DATE: 12-23-75 3-31-76 3-31-76	SIZE: D CODE IDENT. NO.: 50473 DRAWING NO.: 03079	REV.: D SHEET 1 OF 6
APPLICATION: 61805 DR-118A NEXT ASSY USED ON		SCALE: NONE	

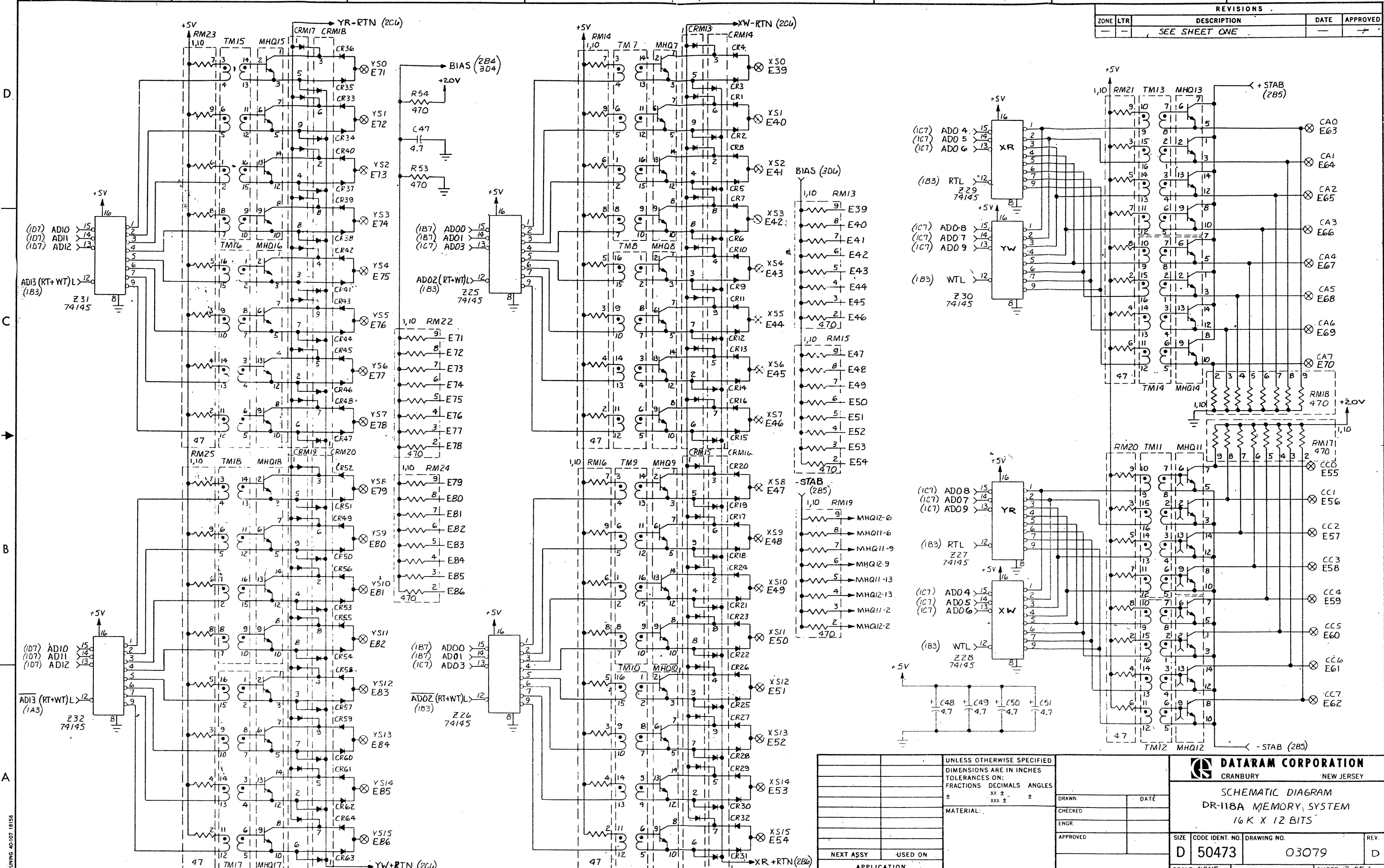
REVISIONS				
ZONE	LTR	DESCRIPTION	DATE	APPROVED
-	-	SEE SHEET ONE	-	-

LAST DESIGNATION USED	
RESISTOR	R109
RESISTOR MODULE	RM25
TRANSISTOR	Q21
TRANSISTOR MODULE	MHQ19
DIODE	CR69
DIODE MODULE	CRM20
CAPACITOR	C71
INTEGRATED CIRCUIT	Z57
TRANSFORMER MODULE	TM20
THERMISTOR	RT1

REF DESIG	GATES USED PER TOTAL	PART NUMBER
Z38	3/4	74500
Z40	5/6	74504
Z50	1/6	74504
Z56	1/6	74504
Z57	1/4	8837



REVISIONS				
ZONE	LTR	DESCRIPTION	DATE	APPROVED
-	-	SEE SHEET ONE	-	-

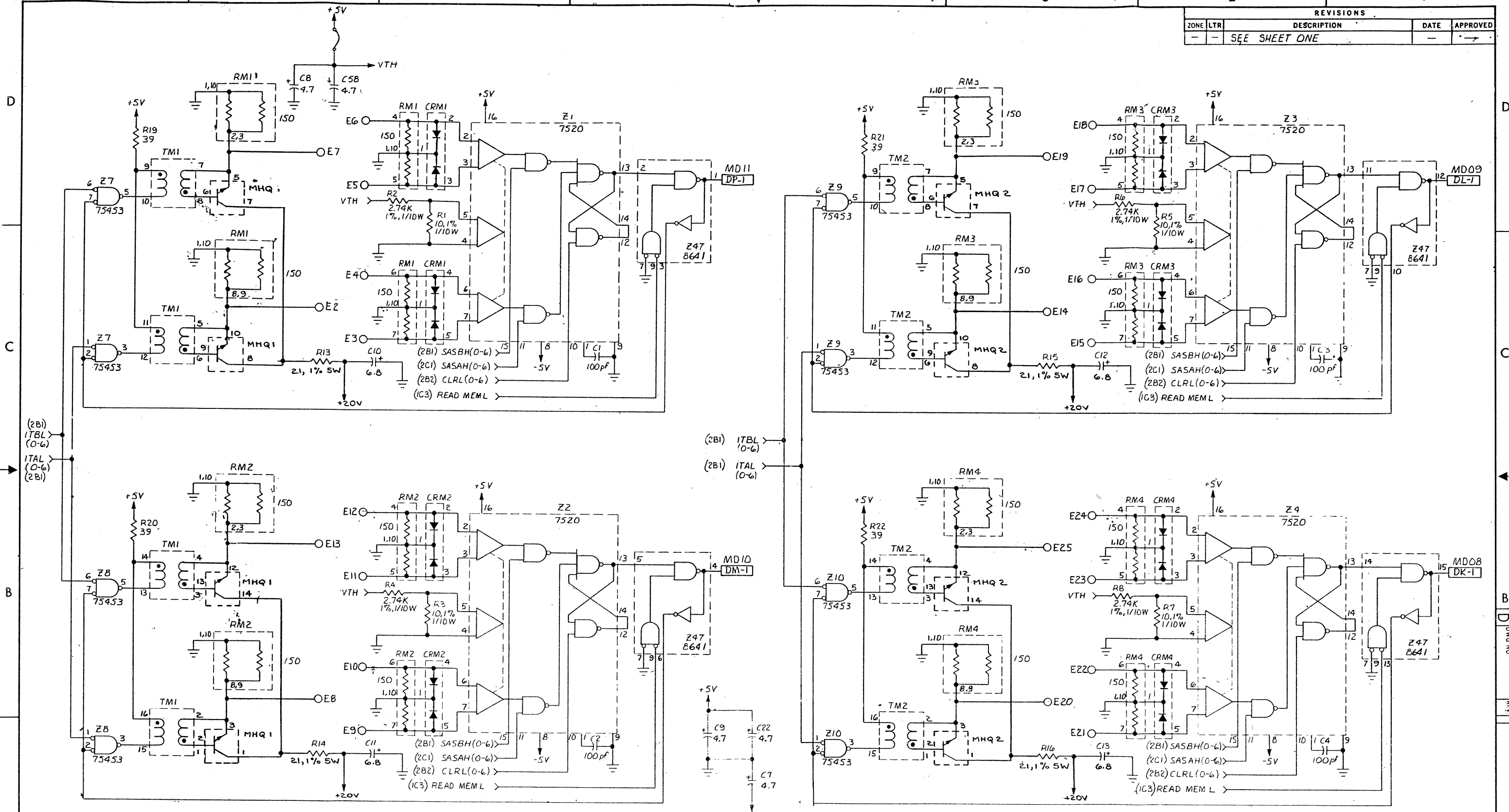


UNLESS OTHERWISE SPECIFIED DIMENSIONS ARE IN INCHES TOLERANCES ON: FRACTIONS DECIMALS ANGLES ± .010 ± .005 ± .002		DRAWN _____ DATE _____	
MATERIAL:		CHECKED _____	ENGR. _____
NEXT ASSY _____ USED ON _____		APPROVED _____	
APPLICATION _____		SCALE NONE	

<b>DATARAM CORPORATION</b> CRANBURY NEW JERSEY			
SCHEMATIC DIAGRAM DR-118A MEMORY SYSTEM 16 K X 12 BITS			
SIZE	CODE IDENT. NO.	DRAWING NO.	REV.
D	50473	03079	D
SCALE NONE		SHEET 3 OF 6	

DRAWING 40-107-18156

REVISIONS				
ZONE	LTR	DESCRIPTION	DATE	APPROVED
-	-	SEE SHEET ONE	-	-

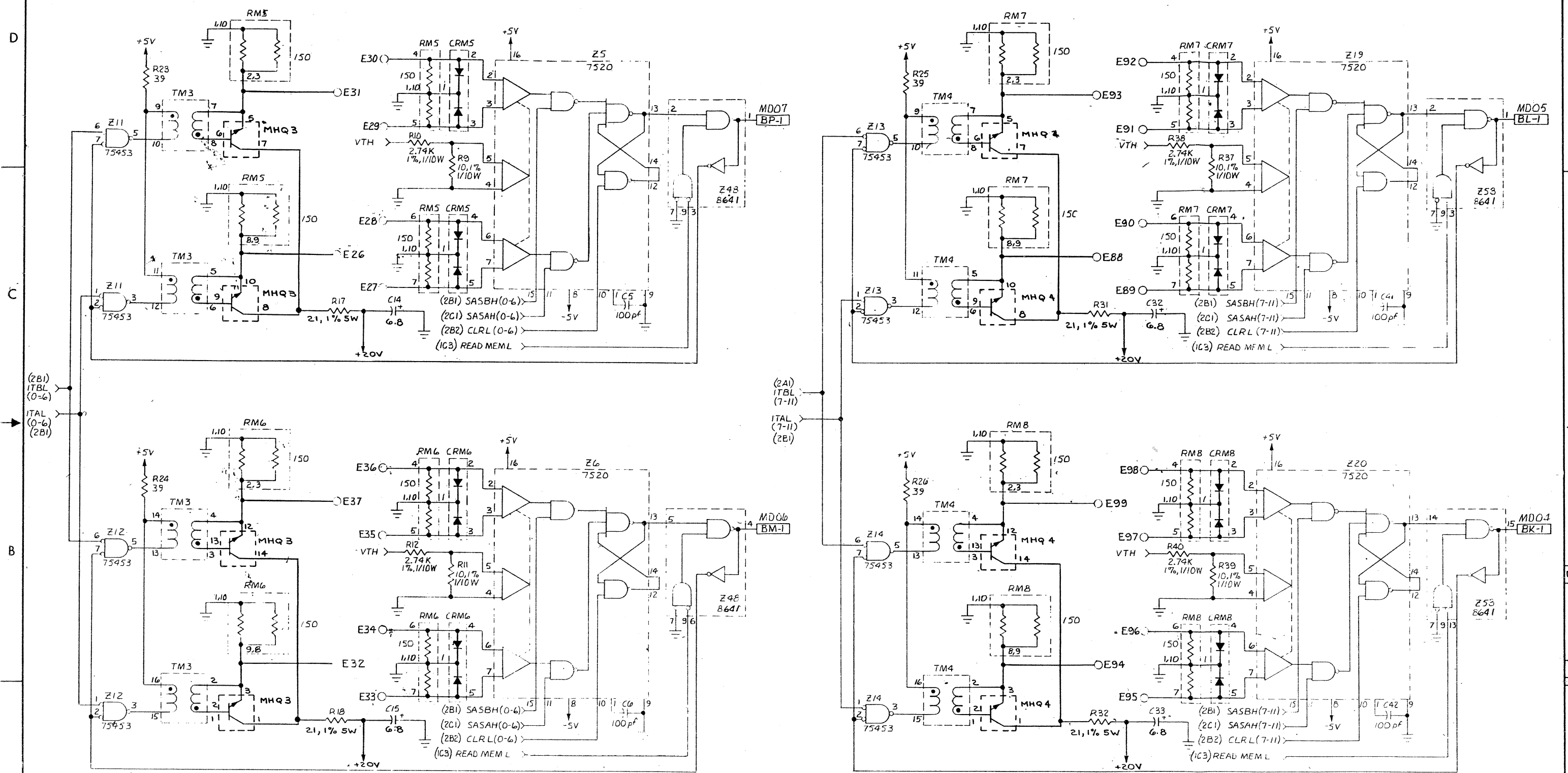


A

BRUNING 40-107 18156

UNLESS OTHERWISE SPECIFIED DIMENSIONS ARE IN INCHES TOLERANCES ON: FRACTIONS DECIMALS ANGLES ± .xx ± .xxx ± ° ±		DRAWN: _____ DATE: _____		<b>DATARAM CORPORATION</b> CRANBURY NEW JERSEY SCHEMATIC DIAGRAM DR-118A MEMORY SYSTEM 16K X 12 BITS
MATERIAL: _____		CHECKED: _____	ENGR: _____	
NEXT ASSY: _____ USED ON: _____		APPROVED: _____		SIZE: D CODE IDENT. NO.: 50473 DRAWING NO.: 03079 REV.: D SCALE: NONE SHEET 4 OF 6

REVISIONS				
ZONE	LTR	DESCRIPTION	DATE	APPROVED
SEE SHEET ONE				



UNLESS OTHERWISE SPECIFIED DIMENSIONS ARE IN INCHES TOLERANCES ON: FRACTIONS DECIMALS ANGLES ± .xx ± .xxx ± ±		DRAWN: _____ DATE: _____	
MATERIAL: _____		CHECKED: _____ ENGR: _____	
APPROVED: _____		DATE: _____	
NEXT ASSY: _____ USED ON: _____		SCALE: NONE	
APPLICATION: _____		SHEET 5 OF 6	

**DATARAM CORPORATION**  
CRANBURY NEW JERSEY

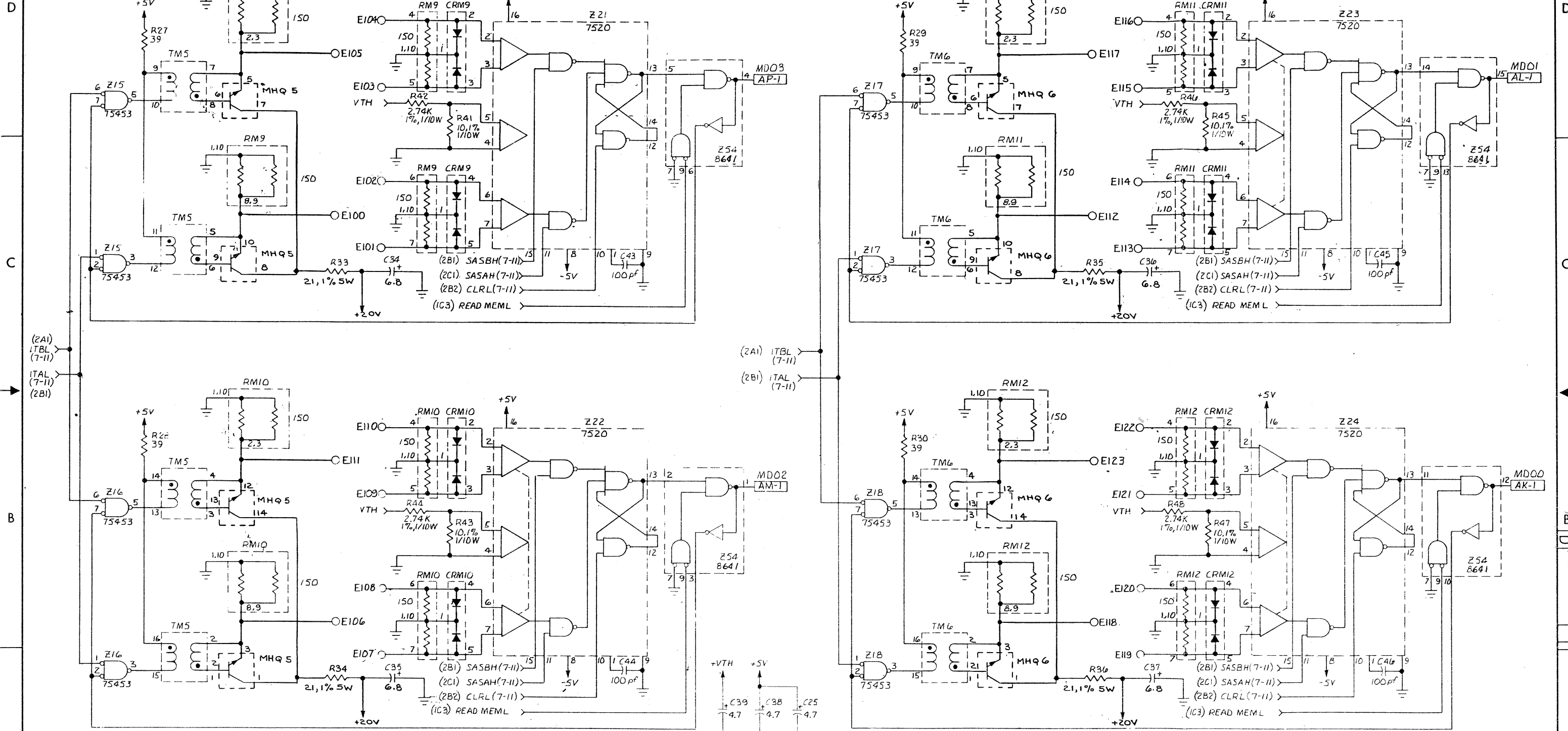
**SCHMATIC DIAGRAM**  
DR118A MEMORY SYSTEM  
16 K X 12 BITS

SIZE	CODE IDENT. NO.	DRAWING NO.	REV.
D	50473	03079	D

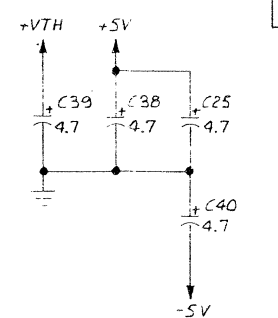
BRUNING 40-107 1B156

WHEN REFERRING TO THIS DRAWING STATE DRAWING NO., APPLICABLE REVISION LETTER IF ANY, AND DATE

REVISIONS				
ZONE	LTR	DESCRIPTION	DATE	APPROVED
-	-	SEE SHEET ONE	-	-



(2A1) ITBL (7-11)  
 (2B1) ITAL (7-11)



UNLESS OTHERWISE SPECIFIED DIMENSIONS ARE IN INCHES TOLERANCES ON: FRACTIONS DECIMALS ANGLES ± .xx ± .xxx ± .		DRAWN _____ DATE _____	
MATERIAL:		CHECKED _____	ENGR. _____
NEXT ASSY _____ USED ON _____		APPROVED _____	DATE _____
APPLICATION _____		SCALE NONE	

DATARAM CORPORATION CRANBURY NEW JERSEY			
SCHEMATIC DIAGRAM DR-118A MEMORY SYSTEM 16K X 12BITS			
SIZE D	CODE IDENT. NO. 50473	DRAWING NO. 03079	REV. D
SCALE NONE		SHEET 6 OF 6	