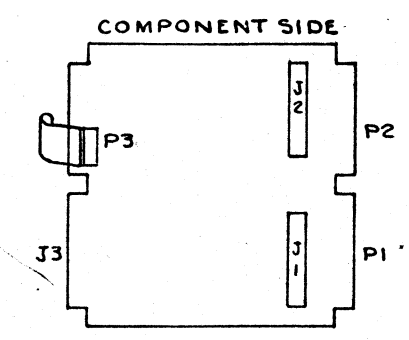


REVISIONS					
REV	DESCRIPTION	DR	CH	DATE	APPROVAL
H0	PRODUCTION RELEASE ENCLAVE	DF	BP	10/20/73	[Signature]
H1	INCORP PER EN 8385H	KF	R2	10/20/73	[Signature]
H2	INCORP PER EN 9220H	KF	R2		
H3	INCORP PER EN 9479D	KF	R2		
H4	INCORP PER EN 9610D	KF	R2		
H5	INCORP PER EN 9714H	KF	R2		

J3	SIGNAL	DIRECTION	LOC.
PIN B01	SPARE		
B02			
B03			
B04			
B06			
B07			
B08			
B09			
B10			
B11			
B12			
B13			
B14			
B15			
B16			
B17			
B18			
B19			
B20			
B21			
B22			
B23			
B24			
B25			
B26			
B27			
B28			
B29			
B30			
B31			
B32			
B33			
B34			
B35			
B36			
B37			
B38			
B39			
B40			
B41			
B42			
B43			
B44			
B45			
B46			
B47			
B48			
B49			
B50	SPARE		
A01	TRP	(TP) →	C89
A02	OPFD	(TP) →	C126
A03	FULL	(TP) →	
A04	CIE-	(TP) →	C90
A05	CUSQ-	(TP) →	A123
A06	PFE	(TP) →	A89
A07	SPARE		
A08	MIN	(TP) →	C78
A09	SPARE		
A10			
A11			
A12			
A13			
A14			
A15			
A16			
A17	SPARE		
A18	SNCZ	(TP) →	A97
A19	SPARE		

J3 CONT	SIGNAL	DIRECTION	LOC.
PIN A20	SPARE		
A21			
A22			
A23			
A24			
A25			
A26			
A27			
A28			
A29			
A30			
A31			
A32			
A33			
A34	SPARE		
A35	STRTI	(TP) →	C76
A36	SPARE		
A37			
A38			
A39			
A40			
A41			
A42			
A43			
A44			
A45			
A46			
A47			
A48			
A49	SPARE		
PIN A50	M BYT-	(TP)	C50

UNUSED GATES / IC			
I/C DESIG.	I/C TYPE	UNUSED PIN	
		IN	OUT
87	7432	9, 10	8



TABULATION BLOCK	
DASH NO.	DESCRIPTION
- 00	WITH POWER FAIL
- 01	W/OUT PWR FAIL
- 02	WITH RESTART
10 - 03	ACTIVE DMA

- ⑩ DASH 03 IS IDENTICAL TO DASH 00.
- ⑨ THIS SIGNAL CONNECTED THRU MOTHERBOARD ONLY.
8. BIDIRECTION SIGNAL DENOTED BY \rightleftarrows
7. OUTPUT SIGNAL DENOTED BY \rightarrow
6. INPUT SIGNAL DENOTED BY \leftarrow
5. RESISTOR PACKS ARE 1KOHMS, $\pm 5\%$, $\frac{1}{4}$ W.
4. 2.2 MICROFARAD CAPACITORS ARE $\pm 10\%$, 35V.
3. .022 MICROFARAD CAPACITORS ARE -80% - 20% , 25V.
2. RESISTORS ARE IN OHMS, $\pm 5\%$, $\frac{1}{4}$ W.
1. SEE DRAWING NUMBER 73-53506-XX FOR ASSEMBLY DRAWING.

NOTES: UNLESS OTHERWISE SPECIFIED

PROPRIETARY RIGHTS NOTICE
 THIS DOCUMENT AND INFORMATION THAT IT CONTAINS ARE THE PROPERTY OF COMPUTER AUTOMATION, INC. RIGHTS TO DUPLICATE OR OTHERWISE COPY THIS DOCUMENT AND RIGHTS TO DISCLOSE AND THE RIGHT TO USE THE INFORMATION CONTAINED THEREIN, MAY BE ACQUIRED ONLY BY WRITTEN PERMISSION SIGNED BY A DULY AUTHORIZED OFFICER OF COMPUTER AUTOMATION, INC.

NOTES UNLESS SPECIFIED		DR.	DATE
1. TOLERANCES	XX $\pm .03$	G. FONTAN	10/17/73
	XXX $\pm .010$		
	ANGULAR $\pm \frac{1}{2}^\circ$		
2. BREAK ALL SHARP EDGES .010 APPROX.			
3. ALL DIM. IN INCHES			
DASH NO.	NEXT ASSEMBLYS		

Computer Automation
 18651 Von Karman Irvine, Calif. 92664

TITLE: **LOGIC DIAGRAM - PROCESSOR FULL/CARD**

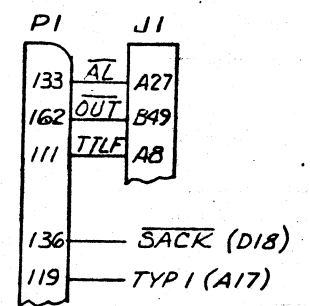
SIZE: D DWG. NO.: 75-53506-XX REV: H5

DO NOT SCALE DRAWING SCALE = NONE SHT. 1 OF 18

CONNECTOR SIGNALS

REVISIONS table with columns: SYM, DESCRIPTION, DATE, APPROVAL

Main connector signal table with columns: P1, SIGNAL, DIRECTION, LOC., P2, SIGNAL, DIRECTION, LOC., P3, SIGNAL, DIRECTION, LOC., J1-CONT, SIGNAL, DIRECTION, LOC., J2, SIGNAL, DIRECTION, LOC., J2-CONT, SIGNAL, DIRECTION, LOC.

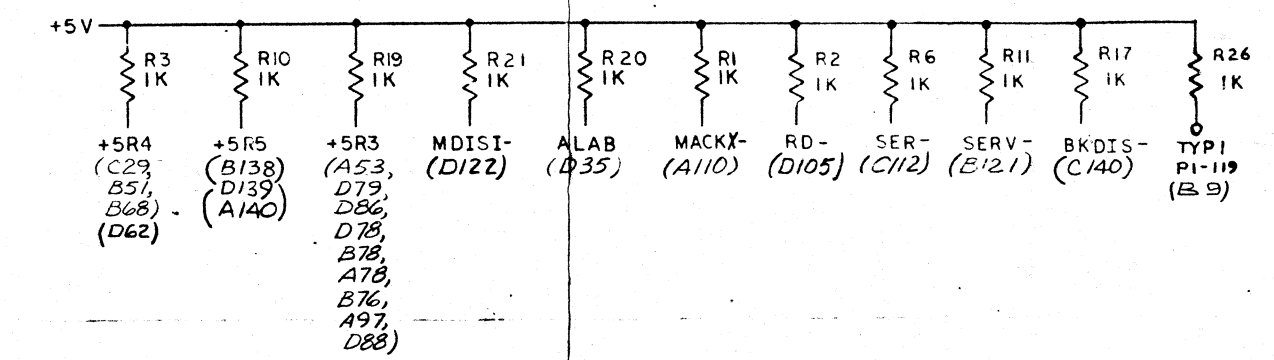


PROPRIETARY RIGHTS NOTICE
THIS DOCUMENT AND INFORMATION THAT IT CONTAINS ARE THE PROPERTY OF COMPUTER AUTOMATION, INC.

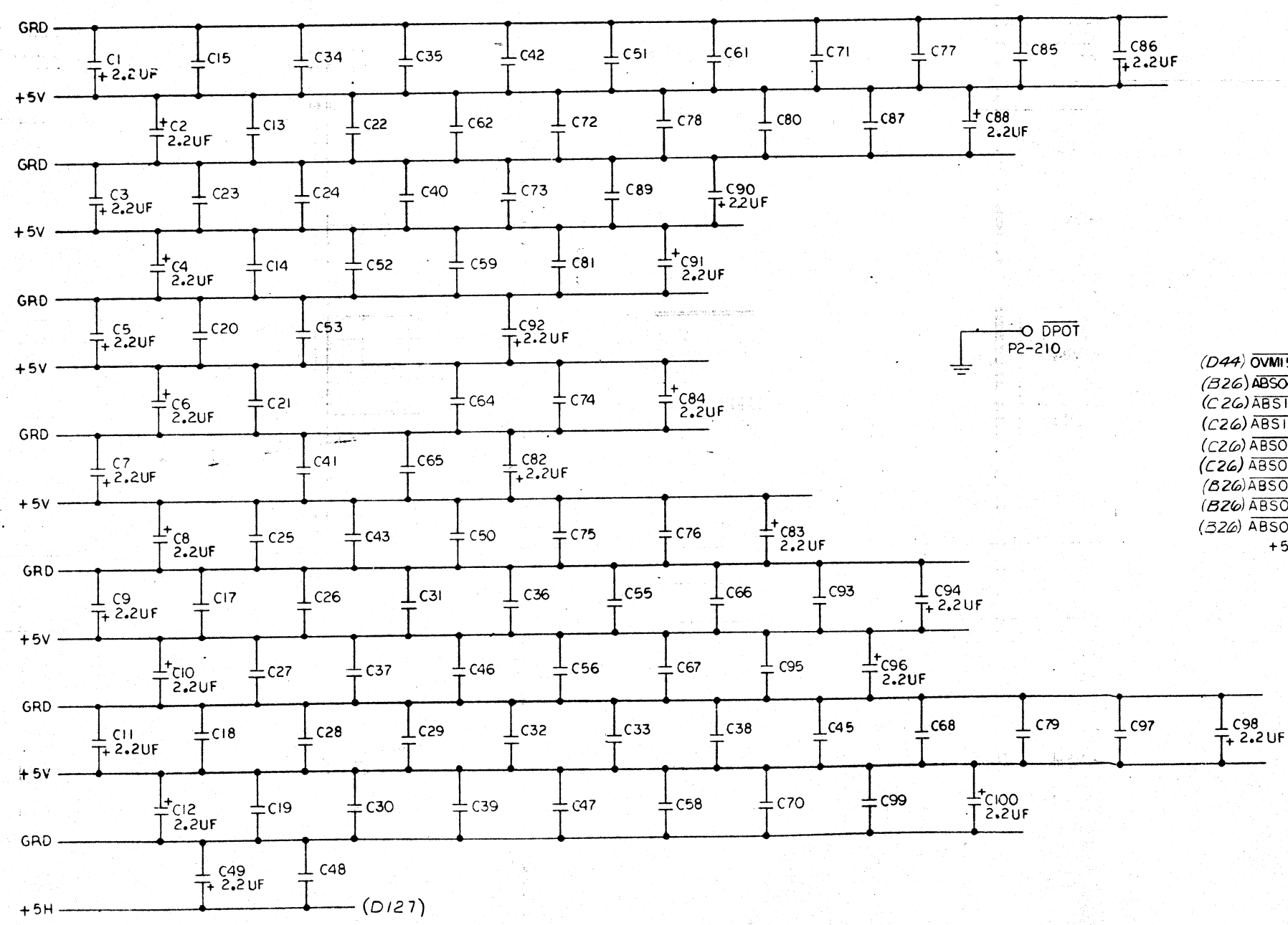
Table with columns: SIZE, REV, SCALE, INT. 2 OF

REVISIONS		
SYM	DESCRIPTION	DATE/APPVAL

(D42) BBS12	2	RP5	2	OPT (B104)
(C42) BBS08	7		4	BBS00 (A42)
(D42) BBS15	4		5	BBS01 (B42)
(D42) BBS14	6		10	BBS07 (B42)
(D42) BBS13	5		8	BBS06 (B42)
(D44) TWT5	3		9	BBS05 (B42)
(C42) BBS11	10		7	BBS04 (B42)
(C42) BBS10	9		3	BBS03 (B42)
(C42) BBS09	8		6	BBS02 (B42)
+5V	1		1	+5



PULLUPS



(C70) DB13	9	RP7	9	
(C70) DB15	3		2	AB03 (A65)
(B70) DB11	4		4	AB01 (A65)
(C70) DB12	8		6	AB00 (A65)
(C70) DB10	6		9	DB02 (D89)
(C70) DB08	5		10	DB03 (B70)
(C70) DB09	7		7	DB07 (B70)
N/C	10		8	DB05 (B70)
(C70) DB14	2		3	AB04 (B67)
+5V	1		5	DB07 (B70)
			1	+5V

(D44) OVMI5	10	RP9	10	
(B26) ABS04	3		3	OVMI5 (D44) (C100) R0T
(C26) ABS11	8		10	ABS15 (D26) (B114) EXEC
(C26) ABS10	6		2	ABS14 (D26) (A114) IN
(C26) ABS09	9		9	ABS03 (D26) (B114) IAR
(C26) ABS08	7		8	ABS02 (D26) (A114) OUT
(B26) ABS07	4		6	ABS01 (D26) (B114) EXC
(B26) ABS06	5		7	ABS00 (D26) (C114) ECHD
(B26) ABS05	2		5	ABS12 (D26) (B114) STEND
+5V	1		4	ABST3 (D26) (B114) FLSE
			1	+5V

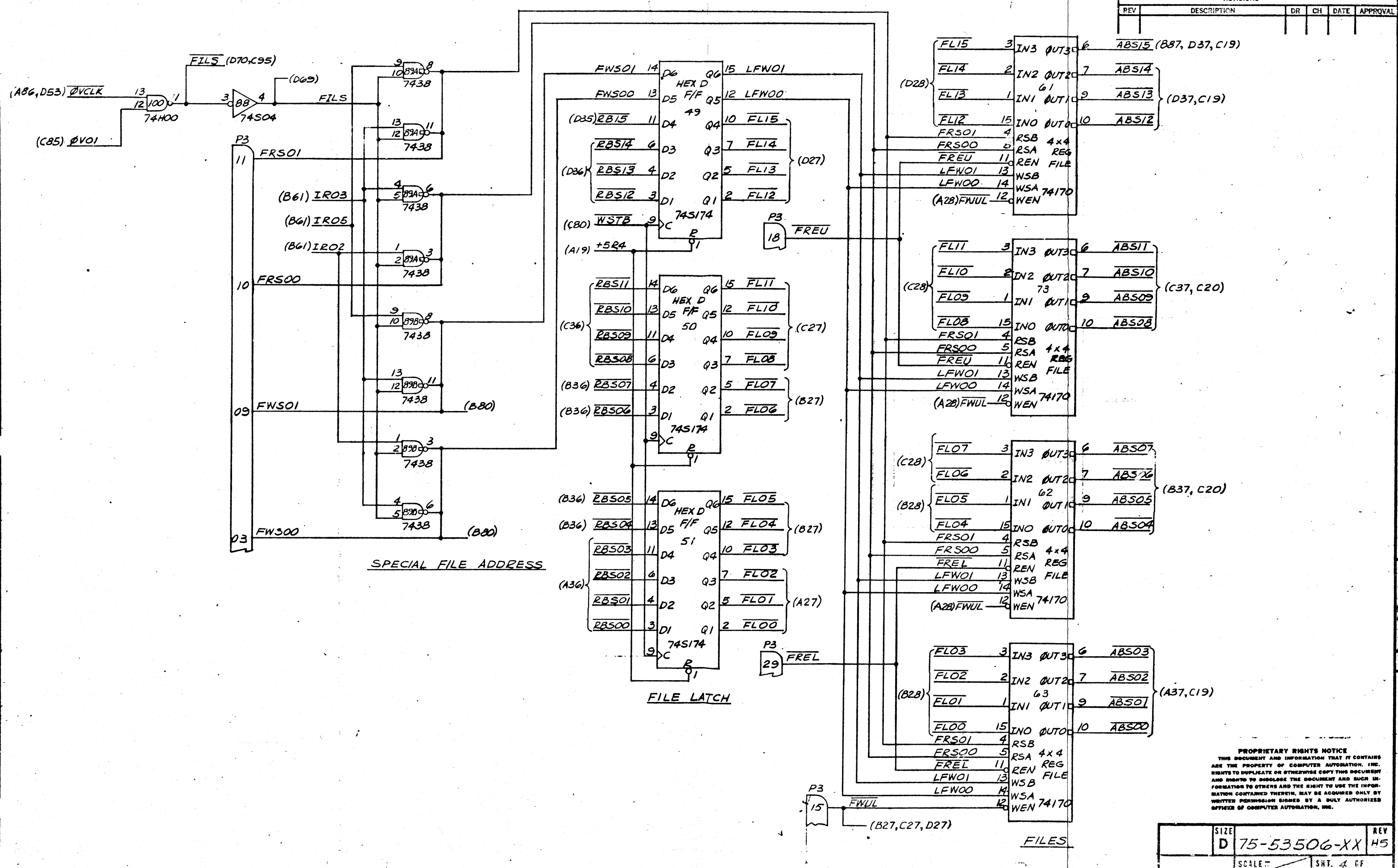
(A67) AB07	3	RP1	3	
(A112) MPCR	5		2	START (B122)
N/C	8		5	IUR (C104)
(C104) OFST	7		3	AB02 (A67)
(B67) AB06	4		7	AB04 (B62)
(C113) MST	6		4	AB05 (B67)
(C115) STQP	2		6	IUA (D13)
(C103) PR0T	9		8	SACK (B9)
(C49) SLB	10		10	DB00 (D89)
+5V	1		9	DB01 (D89)
			1	+5V

(D91, C90, D64, D77, B102, A109)	10	RP11	10	
PST (C122)	9		9	+5R1 (D91, C90, D64, D77, B102, A109)
IL2 (C104)	8		8	PST (C122)
MRST (C63)	7		7	IL2 (C104)
CUS0 (A123)	6		6	MRST (C63)
ILI (D104)	5		5	CUS0 (A123)
IOCL (A111)	4		4	ILI (D104)
+5R2 (B101, A100, B99, B110, B111, B102)	3		3	IOCL (A111)
+5R6 (D24, B128)	2		2	+5R2 (B101, A100, B99, B110, B111, B102)
+5V	1		1	+5R6 (D24, B128)

PROPRIETARY RIGHTS NOTICE
 THIS DOCUMENT AND INFORMATION THAT IT CONTAINS ARE THE PROPERTY OF COMPUTER AUTOMATION, INC. RIGHTS TO DUPLICATE OR OTHERWISE COPY THIS DOCUMENT AND RIGHTS TO DISCLOSE THE DOCUMENT AND SUCH INFORMATION TO OTHERS AND THE RIGHT TO USE THE INFORMATION CONTAINED THEREIN MAY BE ACQUIRED ONLY BY WRITTEN PERMISSION GRANTED BY A DULY AUTHORIZED OFFICER OF COMPUTER AUTOMATION, INC.

SIZE	D	75-53506-XX	REV	H5
SCALE			SHT.	5 OF

REVISIONS					
REV	DESCRIPTION	DR	CH	DATE	APPROVAL

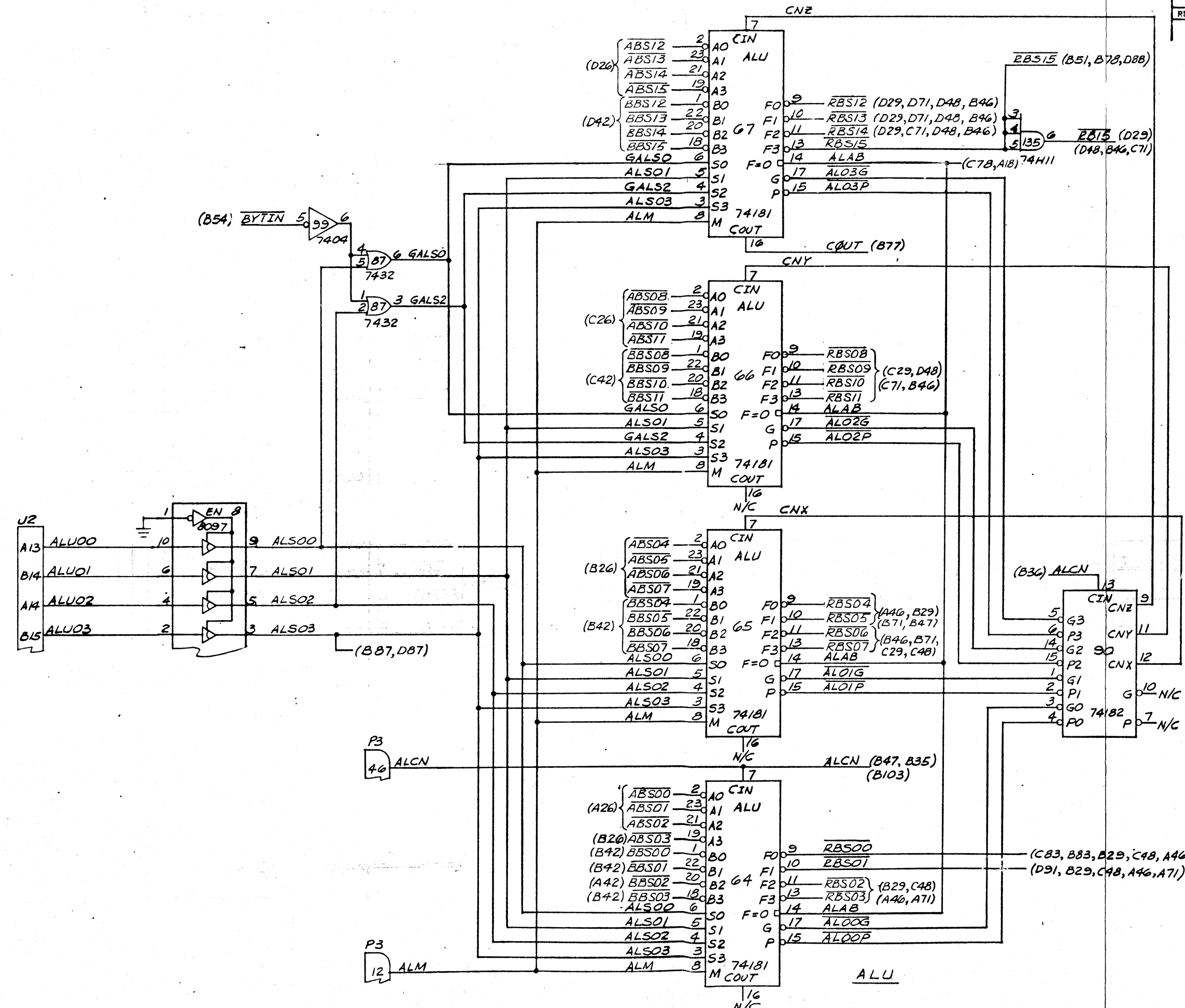


PROPRIETARY RIGHTS NOTICE
 THIS DOCUMENT AND INFORMATION THAT IT CONTAINS ARE THE PROPERTY OF COMPUTER AUTOMATION, INC. RIGHTS TO DUPLICATE OR OTHERWISE COPY THIS DOCUMENT AND RIGHTS TO DISCLOSE THE DOCUMENT AND SUCH INFORMATION TO OTHERS AND THE RIGHT TO USE THE INFORMATION CONTAINED THEREIN, MAY BE ACQUIRED ONLY BY WRITTEN PERMISSION SIGNED BY A DULY AUTHORIZED OFFICER OF COMPUTER AUTOMATION, INC.

SIZE	D	75-53506-XX	REV	H5
SCALE	SHT. 4 OF			

75-53506-XX

REVISIONS					
REV	DESCRIPTION	DR	CH	DATE	APPROVAL

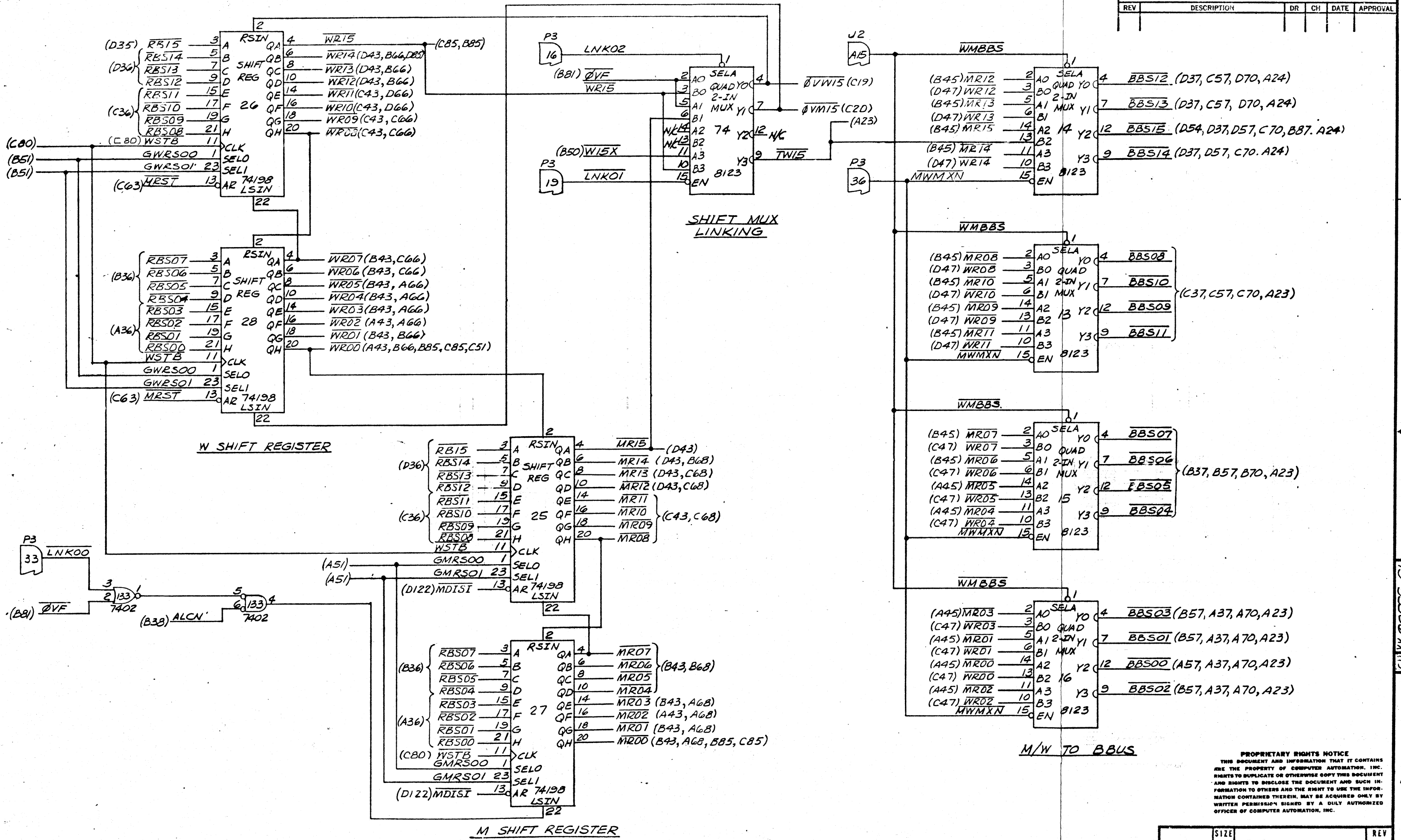


PROPRIETARY RIGHTS NOTICE
 THIS DOCUMENT AND INFORMATION THAT IT CONTAINS ARE THE PROPERTY OF COMPUTER AUTOMATION, INC. RIGHTS TO DUPLICATE OR OTHERWISE COPY THIS DOCUMENT AND RIGHTS TO DISCLOSE THE DOCUMENT AND SUCH INFORMATION TO OTHERS AND THE RIGHT TO USE THE INFORMATION CONTAINED THEREIN, MAY BE ACQUIRED ONLY BY WRITTEN PERMISSION ISSUED BY A DULY AUTHORIZED OFFICER OF COMPUTER AUTOMATION, INC.

SIZE	D	REV	45
SCALE	Shi. 5 OF		

DRAWING NO. 75-53506-XX 45

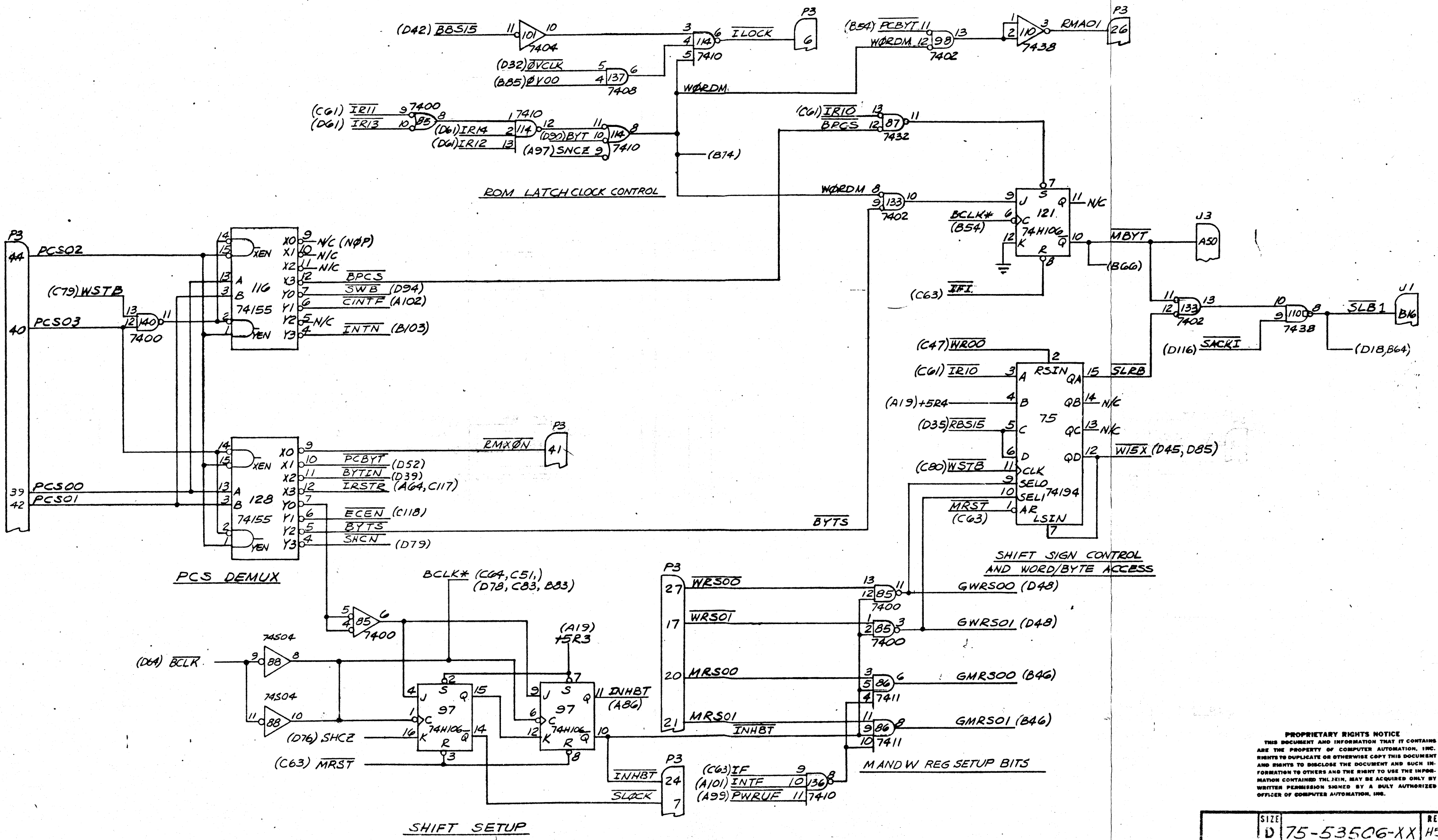
REVISIONS					
REV	DESCRIPTION	DR	CH	DATE	APPROVAL



PROPRIETARY RIGHTS NOTICE
 THIS DOCUMENT AND INFORMATION THAT IT CONTAINS ARE THE PROPERTY OF COMPUTER AUTOMATION, INC. RIGHTS TO DUPLICATE OR OTHERWISE COPY THIS DOCUMENT AND RIGHTS TO DISCLOSE THE DOCUMENT AND SUCH INFORMATION TO OTHERS AND THE RIGHT TO USE THE INFORMATION CONTAINED THEREIN, MAY BE ACQUIRED ONLY BY WRITTEN PERMISSION SIGNED BY A DULY AUTHORIZED OFFICER OF COMPUTER AUTOMATION, INC.

SIZE	D	75-53506-XX	REV	H5
SCALE	1/8" = 1"		SHEET 6 OF 6	

REVISIONS					
REV	DESCRIPTION	DR	CH	DATE	APPROVAL

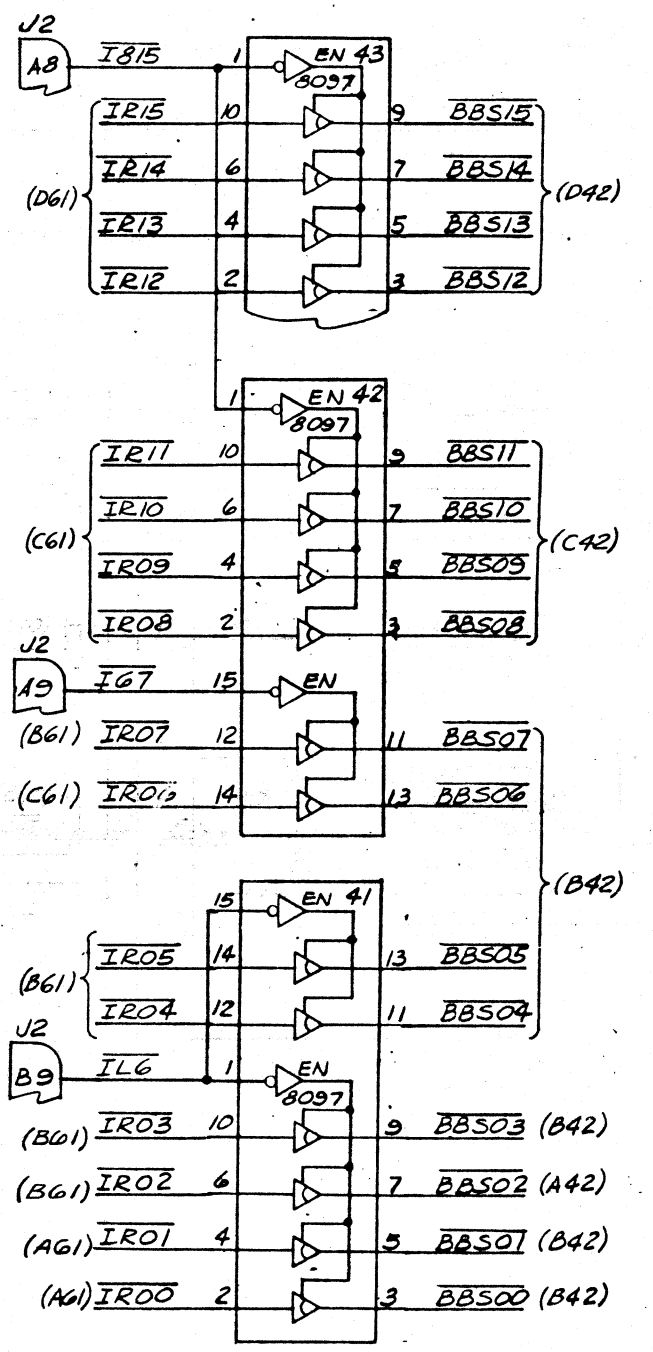
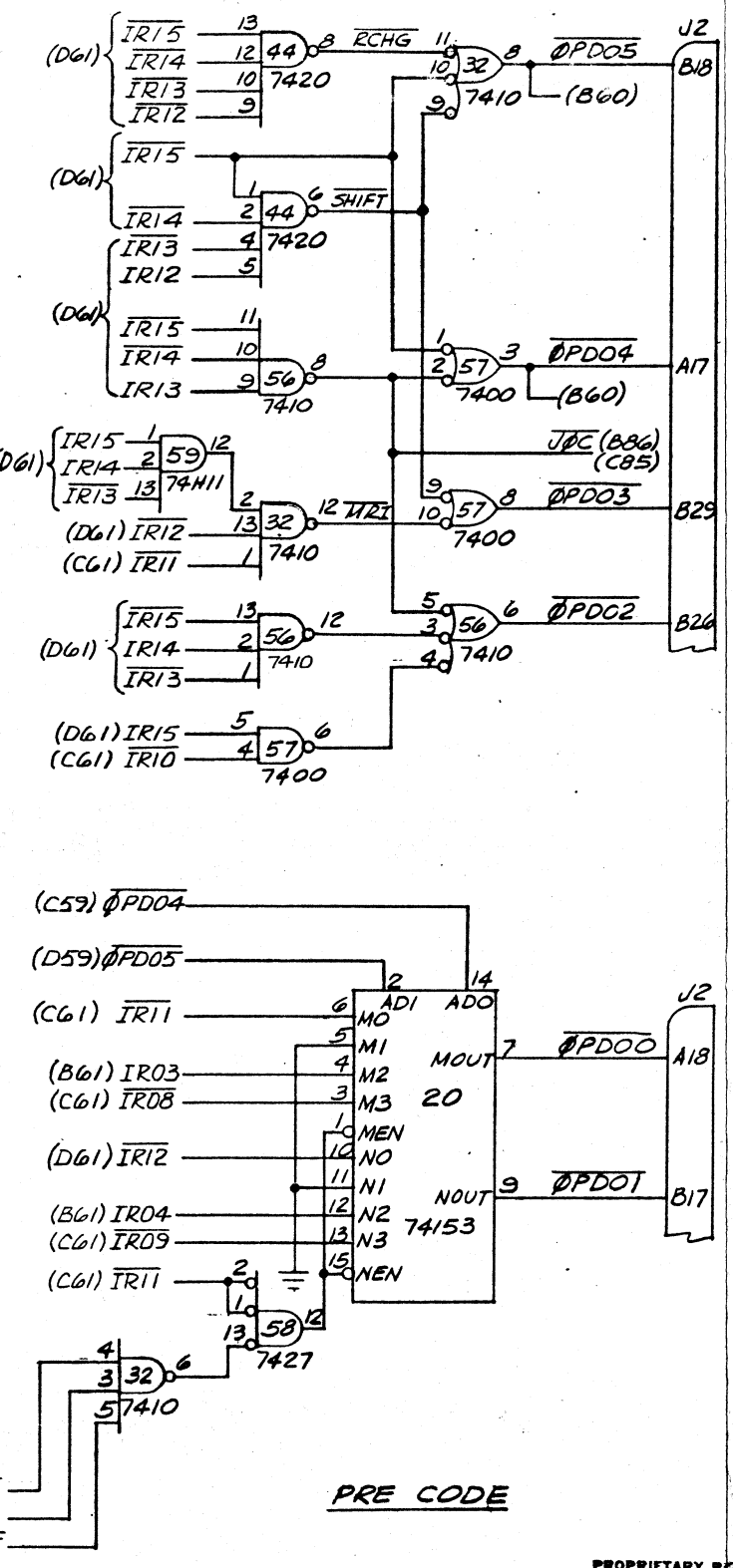
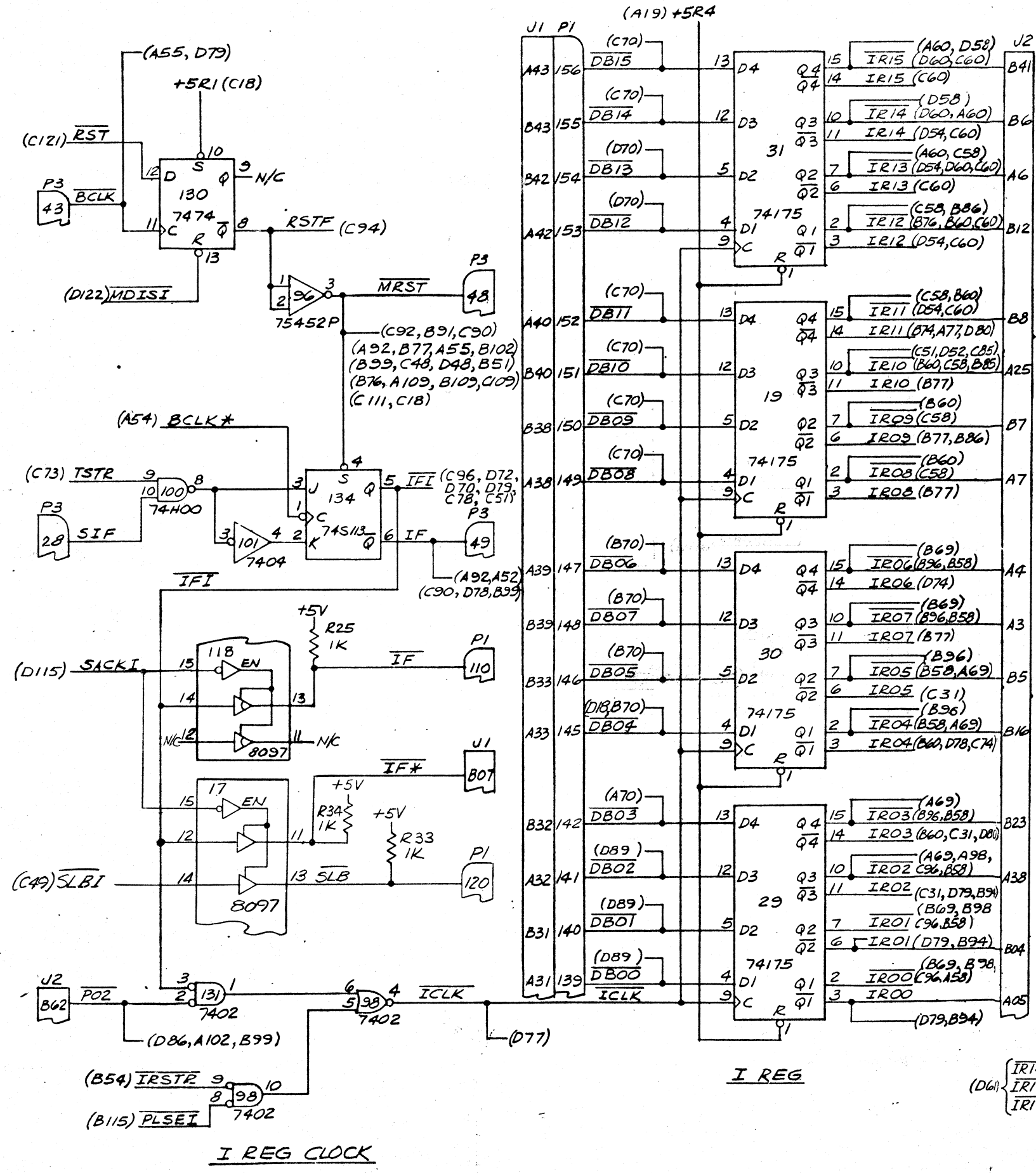


PROPRIETARY RIGHTS NOTICE
 THIS DOCUMENT AND INFORMATION THAT IT CONTAINS ARE THE PROPERTY OF COMPUTER AUTOMATION, INC. RIGHTS TO DUPLICATE OR OTHERWISE COPY THIS DOCUMENT AND RIGHTS TO DISCLOSE THE DOCUMENT AND SUCH INFORMATION TO OTHERS AND THE RIGHT TO USE THE INFORMATION CONTAINED THEREIN, MAY BE ACQUIRED ONLY BY WRITTEN PERMISSION SIGNED BY A DULY AUTHORIZED OFFICER OF COMPUTER AUTOMATION, INC.

SIZE	D	75-53506-XX	REV	H5
SCALE	=		SHT.	7 OF

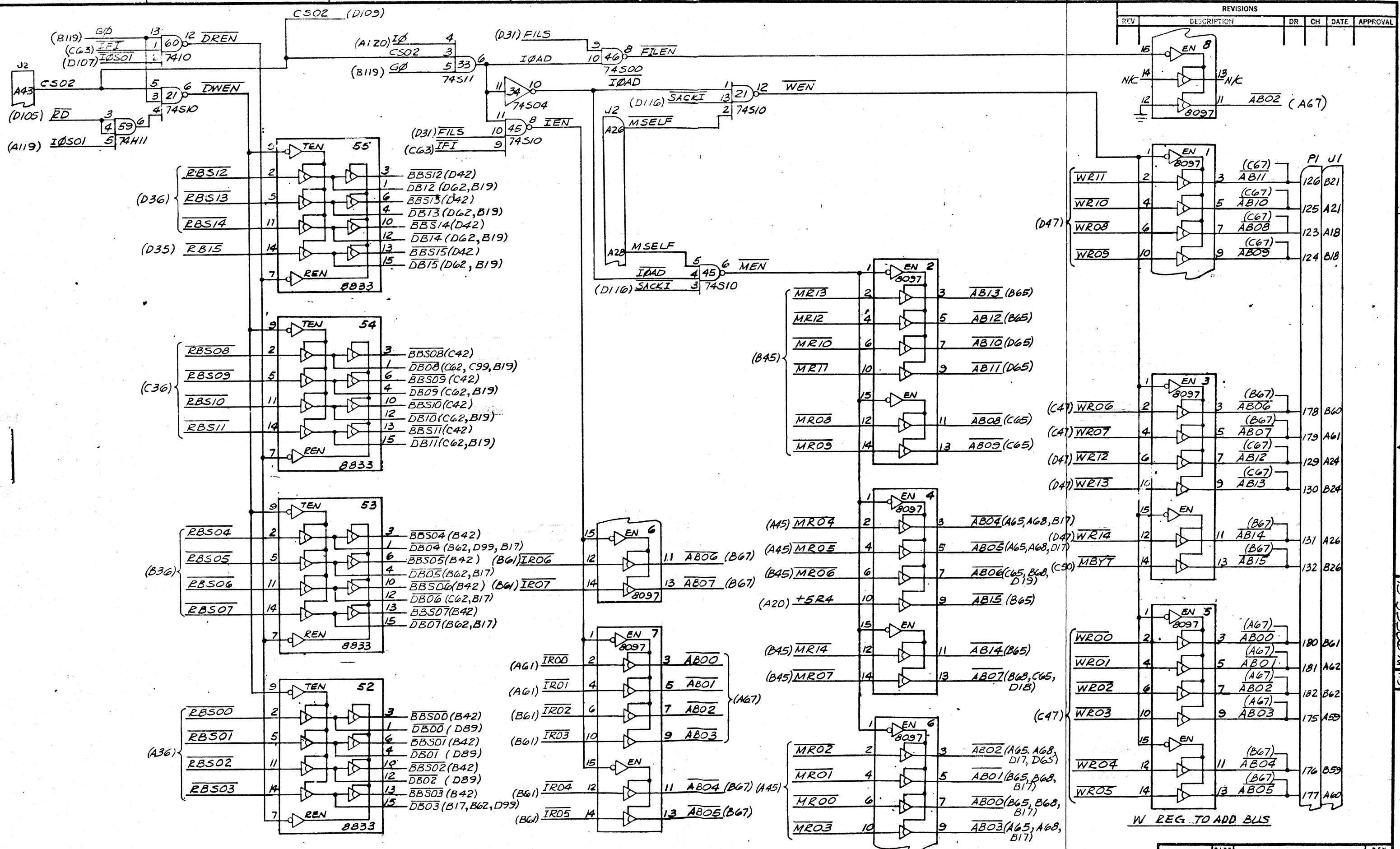
D
 C
 B
 A
 75-53506-XX H5

REVISIONS					
REV	DESCRIPTION	DR	CH	DATE	APPROVAL



PROPRIETARY RIGHTS NOTICE
 THIS DOCUMENT AND INFORMATION THAT IT CONTAINS ARE THE PROPERTY OF COMPUTER AUTOMATION, INC. RIGHTS TO DUPLICATE OR OTHERWISE COPY THIS DOCUMENT AND RIGHTS TO DISCLOSE THE DOCUMENT AND SUCH INFORMATION TO OTHERS AND THE RIGHT TO USE THE INFORMATION CONTAINED THEREIN, MAY BE ACQUIRED ONLY BY WRITTEN PERMISSION GRANTED BY A DULY AUTHORIZED OFFICER OF COMPUTER AUTOMATION, INC.

SIZE	D	75-53506-XX	REV	H5
SCALE			SHT.	8 OF



REVISIONS					
REV	DESCRIPTION	DR	CH	DATE	APPROVAL

DATA BUS TRANSCEIVERS

I REG TO ADD BUS

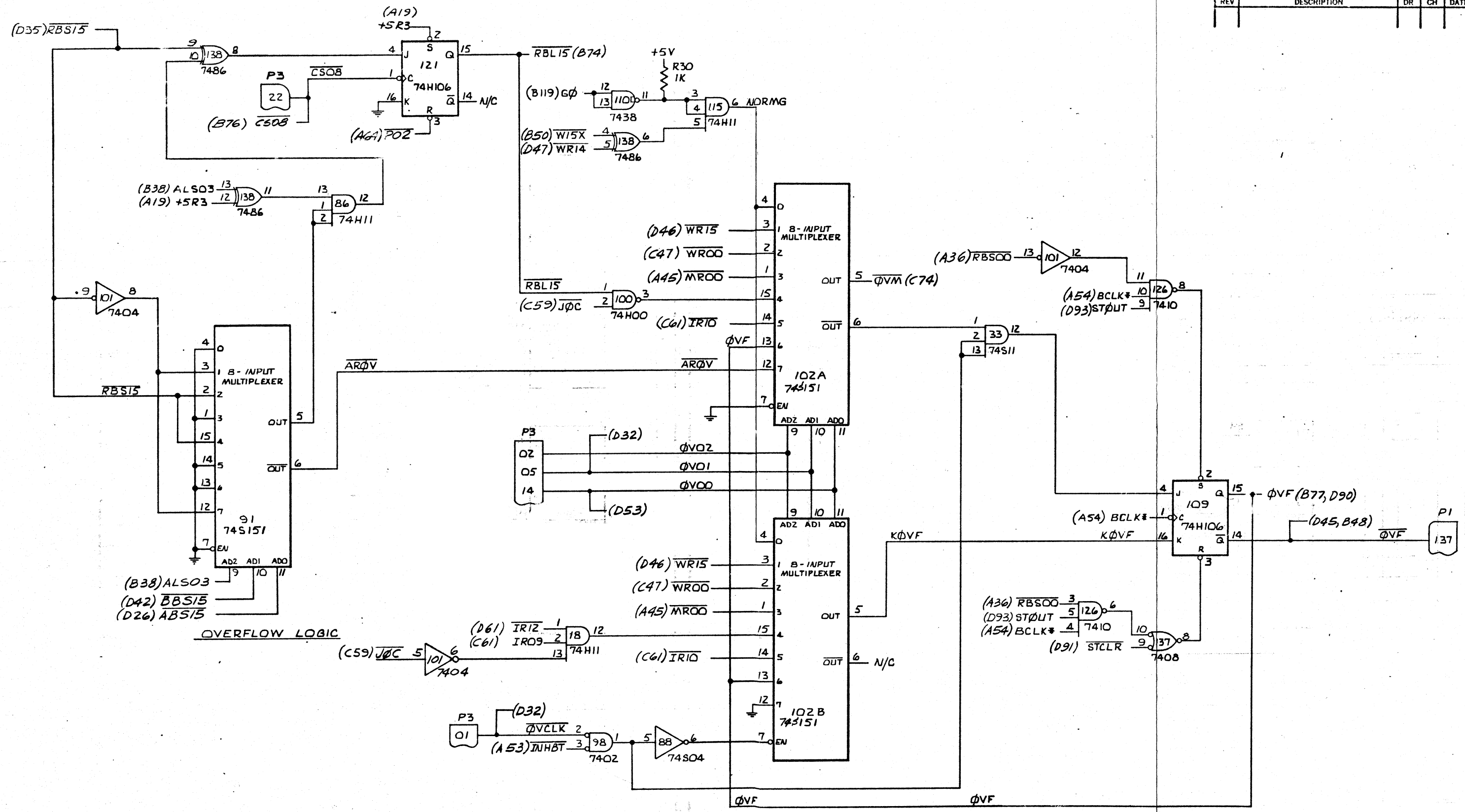
M REG TO ADD BUS

W REG TO ADD BUS

SIZE	D 75-53506-XX	REV	H5
SCALE		SHT.	9 OF

75-53506-X H5

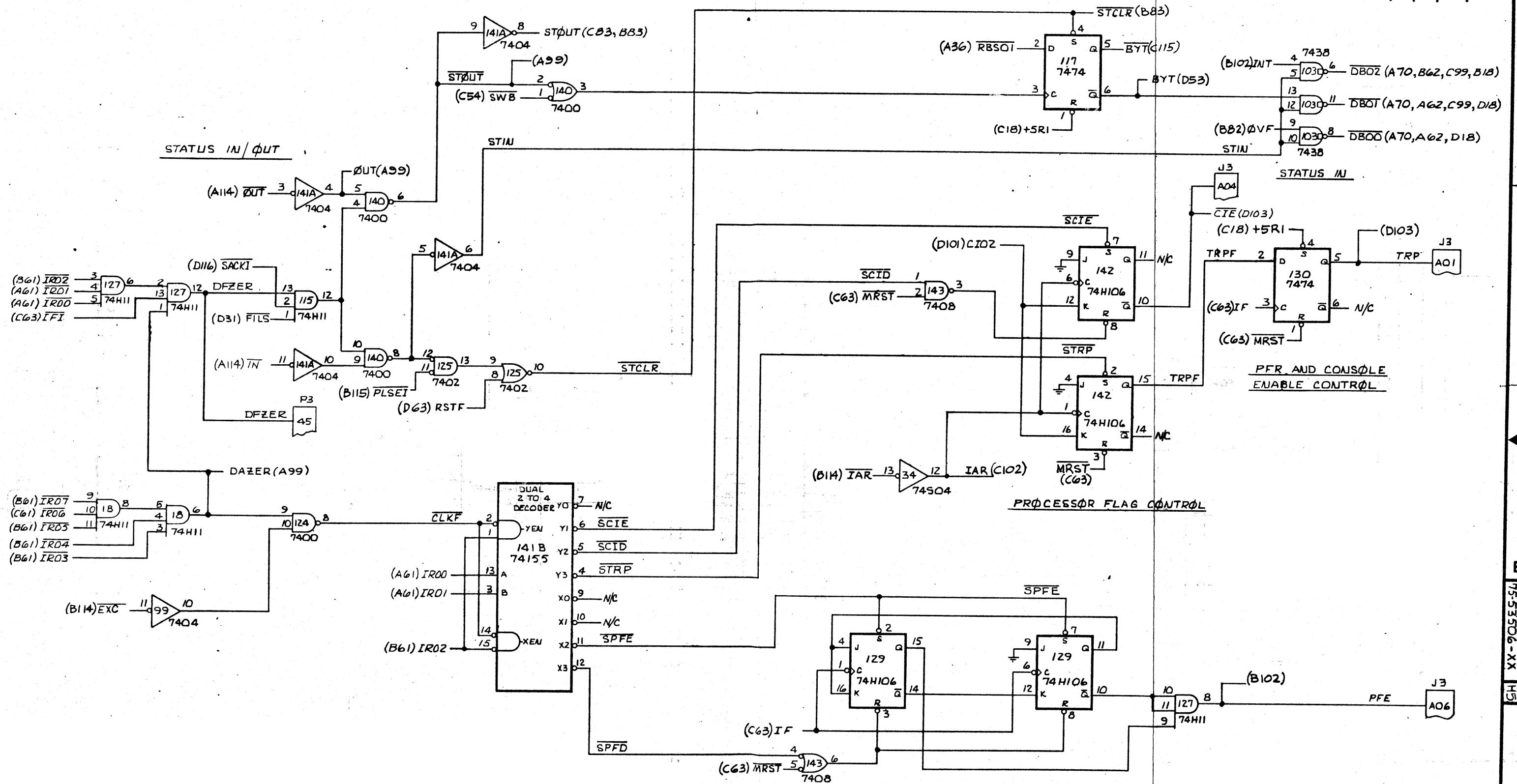
REVISIONS					
REV	DESCRIPTION	DR	CH	DATE	APPROVAL



PROPRIETARY RIGHTS NOTICE
 THIS DOCUMENT AND INFORMATION THAT IT CONTAINS ARE THE PROPERTY OF COMPUTER AUTOMATION, INC. RIGHTS TO DUPLICATE OR OTHERWISE COPY THIS DOCUMENT AND RIGHTS TO DISCLOSE THE DOCUMENT AND SUCH INFORMATION TO OTHERS AND THE RIGHT TO USE THE INFORMATION CONTAINED THEREIN, MAY BE ACQUIRED ONLY BY WRITTEN PERMISSION SIGNED BY A DULY AUTHORIZED OFFICER OF COMPUTER AUTOMATION, INC.

SIZE	D	75-53506-XX	REV	H5
SCALE			SHT.	11 OF

REVISIONS					
REV	DESCRIPTION	DR	CH	DATE	APPROVAL



PFR AND CONSOLE
ENABLE CONTROL

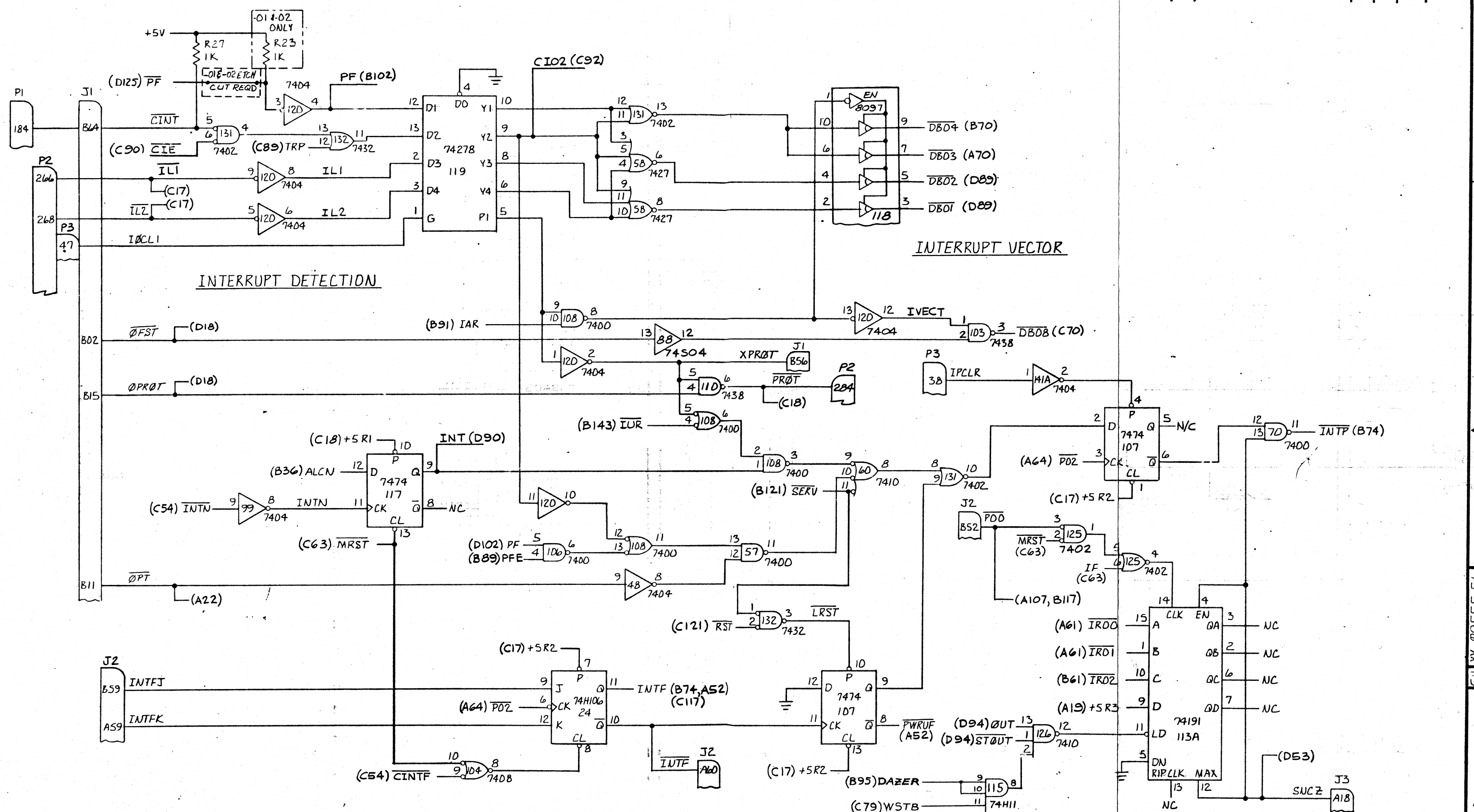
PROCESSOR FLAG CONTROL

PROPRIETARY RIGHTS NOTICE
THIS DOCUMENT AND INFORMATION THAT IT CONTAINS
ARE THE PROPERTY OF COMPUTER AUTOMATION, INC.
RIGHTS TO DUPLICATE OR OTHERWISE COPY THIS DOCUMENT
AND RIGHTS TO DISCLOSE THE DOCUMENT AND SUCH IN-
FORMATION TO OTHERS AND THE RIGHT TO USE THE INFOR-
MATION CONTAINED THEREIN, MAY BE ACQUIRED ONLY BY
WRITTEN PERMISSION SIGNED BY A DULY AUTHORIZED
OFFICER OF COMPUTER AUTOMATION, INC.

SITE	REV
D 75-53506-XX	H5
SCALE =	SHT. 12 OF

DRAWING NO. 75-53506-XX

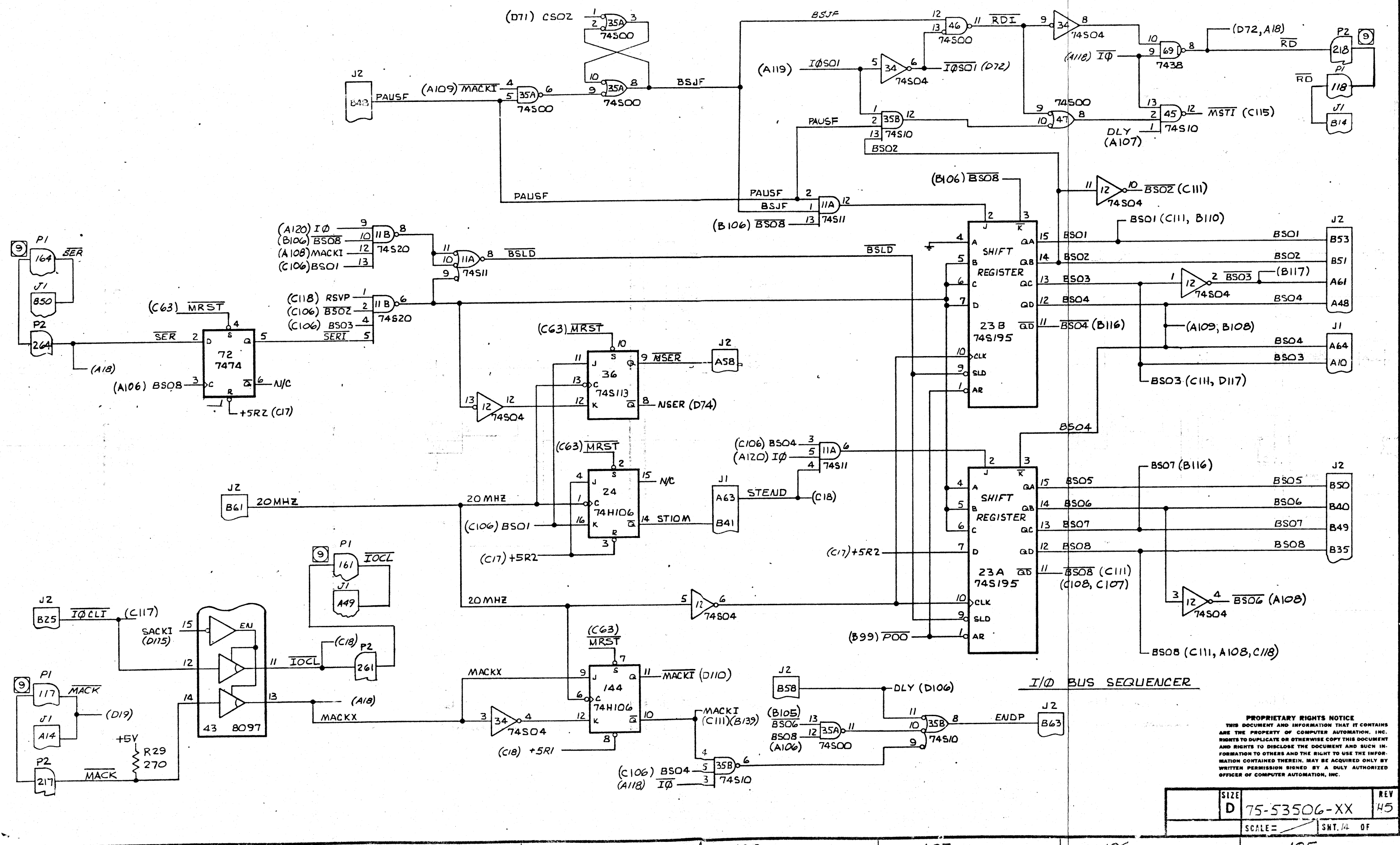
REVISIONS					
REV	DESCRIPTION	DR	CH	DATE	APPROVAL



PROPRIETARY RIGHTS NOTICE
 THIS DOCUMENT AND INFORMATION THAT IT CONTAINS ARE THE PROPERTY OF COMPUTER AUTOMATION, INC. RIGHTS TO DUPLICATE OR OTHERWISE COPY THIS DOCUMENT AND RIGHTS TO DISCLOSE THE DOCUMENT AND SUCH INFORMATION TO OTHERS AND THE RIGHT TO USE THE INFORMATION CONTAINED THEREIN, MAY BE ACQUIRED ONLY BY WRITTEN PERMISSION GRANTED BY A DULY AUTHORIZED OFFICER OF COMPUTER AUTOMATION, INC.

SIZE	D	75-53506-XX	REV	H5
SCALE			SHT. 13 OF	

REVISIONS					
REV	DESCRIPTION	DR	CH	DATE	APPROVAL

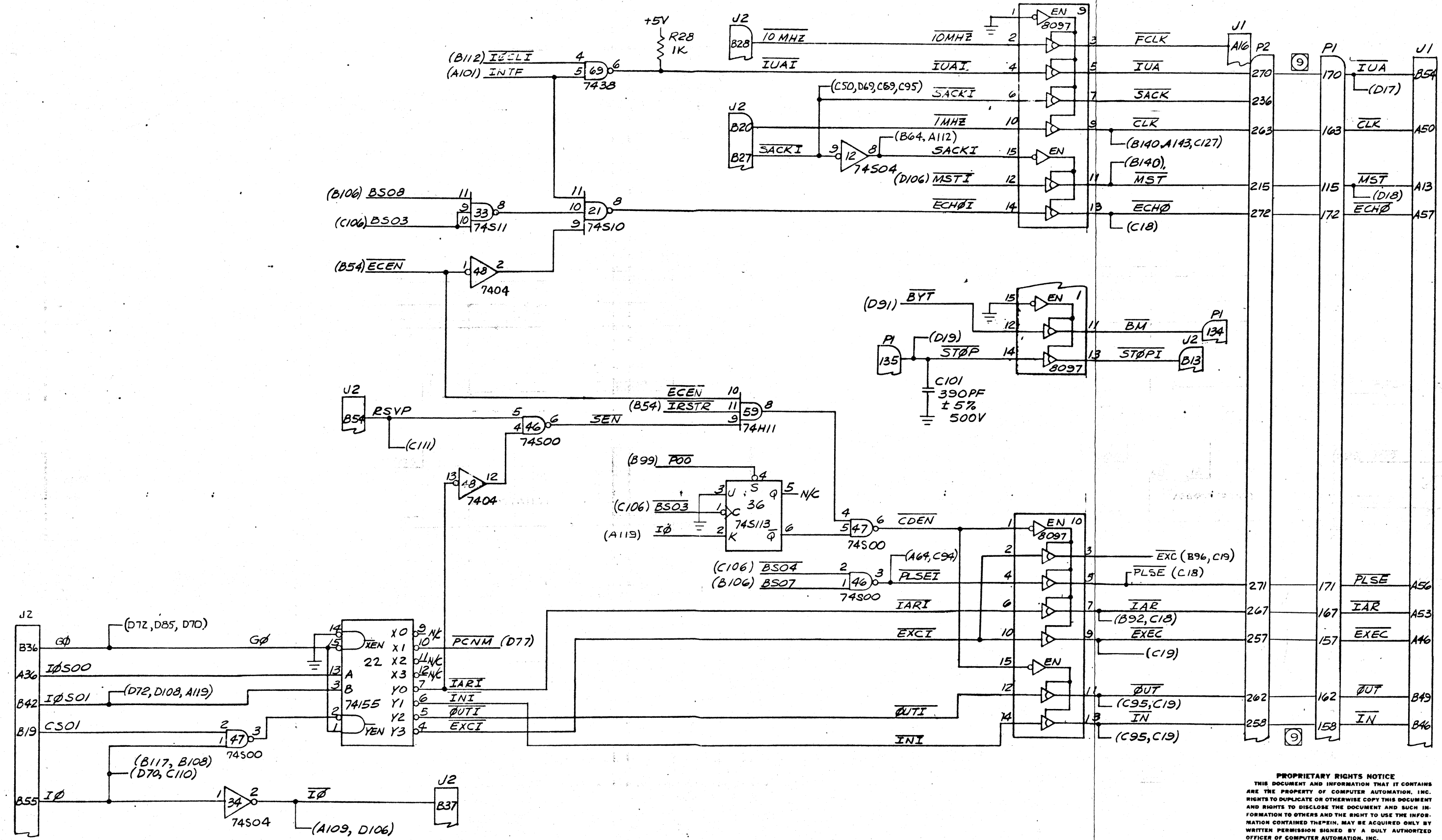


PROPRIETARY RIGHTS NOTICE
 THIS DOCUMENT AND INFORMATION THAT IT CONTAINS ARE THE PROPERTY OF COMPUTER AUTOMATION, INC. RIGHTS TO DUPLICATE OR OTHERWISE COPY THIS DOCUMENT AND RIGHTS TO DISCLOSE THE DOCUMENT AND SUCH INFORMATION TO OTHERS AND THE RIGHT TO USE THE INFORMATION CONTAINED THEREIN, MAY BE ACQUIRED ONLY BY WRITTEN PERMISSION SIGNED BY A DULY AUTHORIZED OFFICER OF COMPUTER AUTOMATION, INC.

SIZE	D	REV	45
SCALE =	SMT 14 OF		

75-53506-XX

REVISIONS					
REV	DESCRIPTION	DR	CH	DATE	APPROVAL

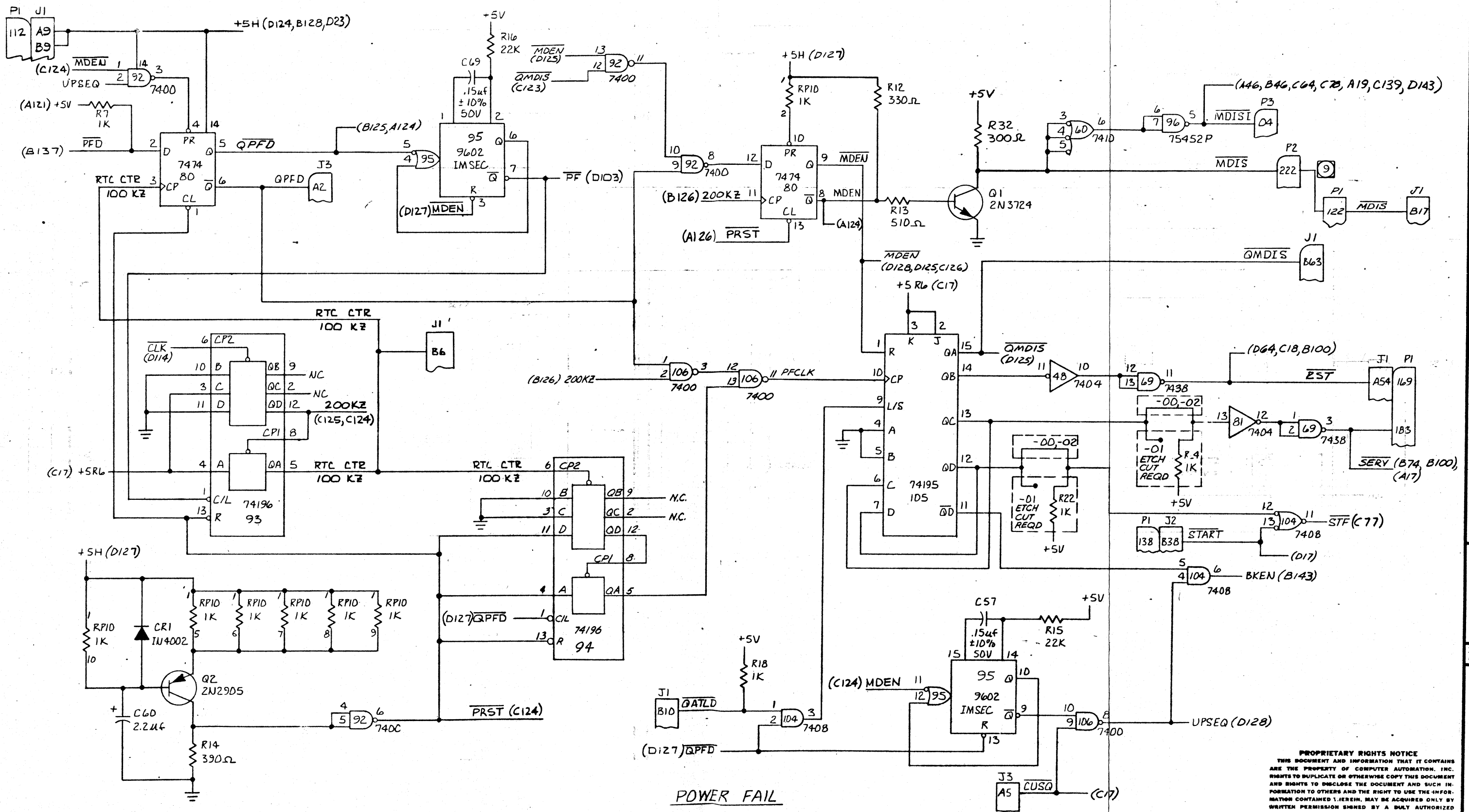


PROPRIETARY RIGHTS NOTICE
 THIS DOCUMENT AND INFORMATION THAT IT CONTAINS ARE THE PROPERTY OF COMPUTER AUTOMATION, INC. RIGHTS TO DUPLICATE OR OTHERWISE COPY THIS DOCUMENT AND RIGHTS TO DISCLOSE THE DOCUMENT AND SUCH INFORMATION TO OTHERS AND THE RIGHT TO USE THE INFORMATION CONTAINED THEREIN, MAY BE ACQUIRED ONLY BY WRITTEN PERMISSION SIGNED BY A DULY AUTHORIZED OFFICER OF COMPUTER AUTOMATION, INC.

SIZE	D	75-53506-XX	REV	H5
SCALE	=		SHT.	15 OF

D
C
B
A
 DRAWING NO. 75-53506-X115

REVISIONS					
REV	DESCRIPTION	DR	CH	DATE	APPROVAL



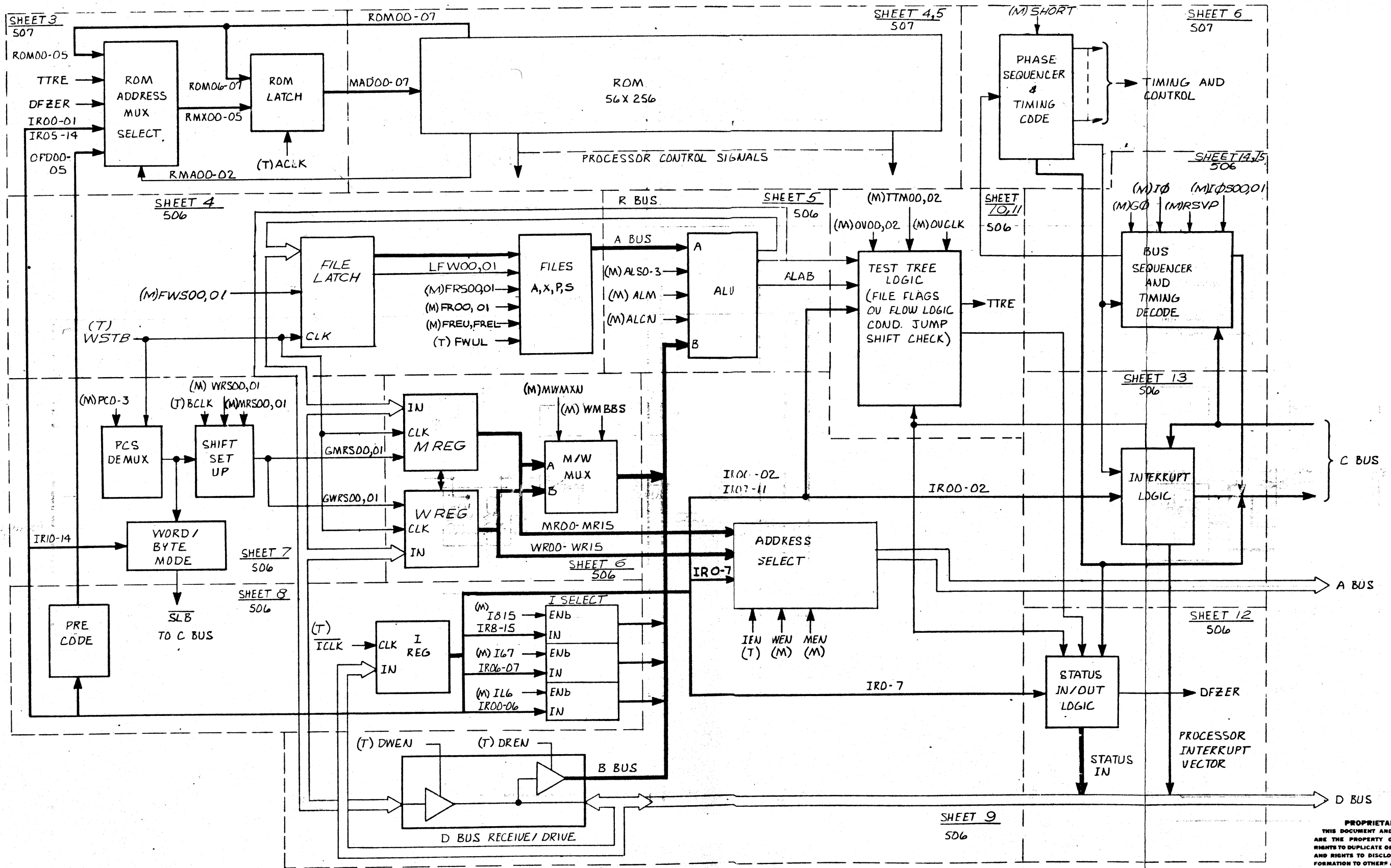
POWER FAIL

PROPRIETARY RIGHTS NOTICE
 THIS DOCUMENT AND INFORMATION THAT IT CONTAINS ARE THE PROPERTY OF COMPUTER AUTOMATION, INC. RIGHTS TO DUPLICATE OR OTHERWISE COPY THIS DOCUMENT AND RIGHTS TO INCLUDE THE DOCUMENT AND SUCH INFORMATION CONTAINED HEREIN, MAY BE ACQUIRED ONLY BY WRITTEN PERMISSION SIGNED BY A DULY AUTHORIZED OFFICER OF COMPUTER AUTOMATION, INC.

SIZE	D	75-53506-XX	REV	H5
SCALE	=		SHT.	16 OF

D
C
B
A
DRAWING NO. 75-53506-XX
CH

REVISIONS					
REV	DESCRIPTION	DR	CH	DATE	APPROVAL



LSI-2 BLOCK DIAGRAM

2. (T) DESIGNATES TIMING AND CONTROL SIGNALS.
 1. (M) DESIGNATES PROCESSOR (ROM) CONTROL SIGNALS.
 NOTES-UNLESS OTHERWISE SPECIFIED

PROPRIETARY RIGHTS NOTICE
 THIS DOCUMENT AND INFORMATION THAT IT CONTAINS ARE THE PROPERTY OF COMPUTER AUTOMATION, INC. RIGHTS TO DUPLICATE OR OTHERWISE COPY THIS DOCUMENT AND RIGHTS TO DISCLOSE THE DOCUMENT AND SUCH INFORMATION TO OTHERS AND THE RIGHT TO USE THE INFORMATION CONTAINED THEREIN, MAY BE ACQUIRED ONLY BY WRITTEN PERMISSION SIGNED BY A DULY AUTHORIZED OFFICER OF COMPUTER AUTOMATION, INC.

SIZE D	75-53506-XX	REV H5
SCALE =	SHT. 17 OF	

REVISIONS					
REV	DESCRIPTION	DR	CH	DATE	APPROVAL

THIS SHEET CONTAINS PROPRIETARY INFORMATION.
WHICH MAY NOT BE REPRODUCED

PROPRIETARY RIGHTS NOTICE
THIS DOCUMENT AND INFORMATION THAT IT CONTAINS ARE THE PROPERTY OF COMPUTER AUTOMATION, INC. RIGHTS TO DUPLICATE OR OTHERWISE COPY THIS DOCUMENT AND RIGHTS TO DISCLOSE THE DOCUMENT AND SUCH INFORMATION TO OTHERS AND THE RIGHT TO USE THE INFORMATION CONTAINED THEREIN, MAY BE ACQUIRED ONLY BY WRITTEN PERMISSION SIGNED BY A DULY AUTHORIZED OFFICER OF COMPUTER AUTOMATION, INC.

SIZE D	75-53506-XX	REV H5
SCALE =		SHT. 15 OF 15

D
C
B
A

XX-70506-XX
GH