

REVISIONS					
REV	DESCRIPTION	DR	CH	DATE	APPROVAL
1	13539	EJ	1/11/61		
B1	CHANGED PER EN 3872	BC	1/15/61		
B2	CHANGED PER EN 3900	BC	1/15/61		
B3	REDUCTION REL. PER EN 4099	BC	2/1/61		
B4	INCORPORATE EN 4078				
B5	INCORPORATE EN 4270				
B6	INCORPORATE EN 4329				
B7	INCORPORATE EN 4537				
B8	INCORPORATE EN 4645	RG	4/17/61		
B9	INCORPORATE EN 5143	RG			
B10	INCORPORATE EN 5245	RG	4/17/61		
B11	INCORPORATE EN 6258 H	CA	AD	5/1/61	
B12	INCORPORATE EN 6294 H	CA	AD		
B13	INCORPORATE EN 6466 H	CA	AD	5/1/61	

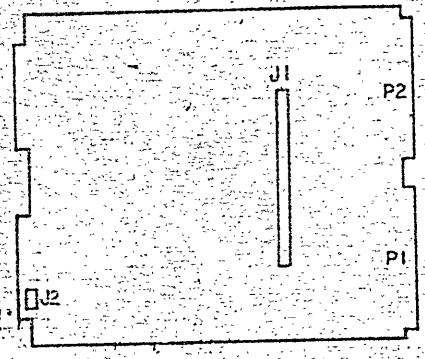
P1	SIGNAL	DIRECTION	LOCATION
PIN 101	GND	←	C15
102	GND	←	C15
103	+12V	←	C14
104	+12V	←	C14
105	+12V	←	C14
106	+12V	←	C14
107	-12V	←	C14
108	-12V	←	C14
109		NU	
110		↑	
111			
112		NU	
113	+5V	←	C15
114	+5V	←	C15
115	MST	←	A19
P16		NU	
117	MACR	←	A19
118	RD	←	D40
119	YPI	←	NU
120	SLB	←	A38
121	PFD	←	NU
122	MDIS	←	B19
123	AB08	←	C38
124	AB09	←	C38
125	AB10	←	A24
126	AB11	←	A24
127	GND	←	C15
128	GND	←	C15
129	AB12	←	B24
130	AB13	←	B24
131	AB14	←	A24
132	AB15	←	A38
133		NU	
134		NU	
135	STOP	←	NU
136	SACK	←	A82
137		NU	
138		NU	
139	DB00	←	D79
140	DB01	←	D79
141	DB02	←	C79
142	DB03	←	C79
PIN 143	+5V	←	C15

P1	SIGNAL	DIRECTION	LOCATION
PIN 144	+5V	←	C15
145	DB04	←	D76
146	DB05	←	D76
147	DB06	←	C76
148	DB07	←	C76
149	DB08	←	C76
150	DB09	←	NU
151	DB10	←	
152	DB11	←	
153	DB12	←	
154	DB13	←	
155	DB14	←	
156	DB15	←	
157	EXEC	←	
158	IN	←	NU
159	GND	←	C15
160	GND	←	C15
161	IOCL	←	NU
162	OUT	←	NU
163	CLK	←	C22
164	SER	←	NU
165	TUR	←	C19
166	ILI	←	B82
167	IAR	←	NU
168	IT2	←	NU
169	RST	←	A85
170	TUA	←	NU
171	PLSE	←	B85
172	ECHO	←	NU
173	+5V	←	C15
174	+5V	←	C15
175	AB03	←	A40
176	AB04	←	A40
177	AB05	←	B40
178	AB06	←	B40
179	AB07	←	B40
180	AB08	←	D20
181	AB01	←	C40
182	AB02	←	C40
183	PRIN	←	D22
184	PR0T	←	D22
185	GND	←	C15
PIN 186	GND	←	C15

P2	SIGNAL	DIRECTION	LOCATION
PIN 201	GND	←	B15
202	GND	←	B15
203	+12V	←	NU
204	+12V	←	
205	+12V	←	
206	+12V	←	
207	+12V	←	B15
208	+12V	←	B15
209	DPIN	←	D22
210	DP0T	←	D22
211	EBSEL	←	A22
212		NU	
213	+5V	←	B15
214	+5V	←	B15
215	MST	←	NU
216		NU	
217	MACR	←	B27
218	RD	←	NU
219	FCLK	←	
220	SLB	←	
221	PFD	←	NU
222	MDIS	←	B35
223	AB08	←	NU
224	AB09	←	
225	AB10	←	
226	AB11	←	NU
227	GND	←	B15
228	GND	←	B15
229	AB12	←	NU
230	AB15	←	
231	AB14	←	
232	AB15	←	NU
233	AB16	←	B86
234	AB17	←	B86
235	STOP	←	NU
236	SACK	←	NU
237	MBIN	←	C18
238	MB0T	←	C19
239	DB00	←	C79
240	DB01	←	C79
241	DB02	←	B79
242	DB03	←	B79
PIN 243	+5V	←	B15

P2	SIGNAL	DIRECTION	LOCATION
PIN 244	+5V	←	B15
245	DB04	←	C77
246	DB05	←	C77
247	DB06	←	C77
248	DB07	←	B77
249	DB08	←	B79
250	DB09	←	B79
251	DB10	←	B79
252	DB11	←	A79
253	DB12	←	B76
254	DB13	←	B76
255	DB14	←	B76
256	DB15	←	A76
257	EXEC	←	NU
258	IN	←	NU
259	GND	←	B15
260	GND	←	B15
261	IOCL	←	NU
262	OUT	←	
263	CLK	←	
264	SER	←	
265	IUR	←	
266	ILI	←	NU
267	IAR	←	A85
268	IT2	←	NU
269	RST	←	
270	IUA	←	
271	PLSE	←	
272	ECHO	←	NU
273	+5V	←	B15
274	+5V	←	B15
275	AB03	←	NU
276	AB04	←	NU
277	AB05	←	NU
278	AB06	←	C56
279	AB07	←	B56
280	AB08	←	NU
281	AB01	←	C48
282	AB02	←	C48
283	PRIN	←	D22
284	PR0T	←	D22
285	GND	←	B15
PIN 286	GND	←	B15

J2	SIGNAL	DIRECTION	LOCATION
PIN 1	NU		
2	NU		
3	LO	←	A36
4	HI	←	A36
5	INTER	←	C24
6	ADD	←	C24
7	E.LOW	←	B24
8	E.HIGH	←	B24
9	GND	←	C23
10	GND	←	B23
11	GND	←	B23
12	GND	←	C23
13	NU		
14			
15			
PIN 16	NU		



TABULATION BLOCK	
DASH NO.	DESCRIPTION
-04	4K X 16
-14	4K X 16 PARITY
-05	8K X 16
-15	8K X 16 PARITY
-24	4K + DMA PARITY
-25	8K + DMA PARITY

UNUSED GATES/IC			
REF DEG.	IC TYPE	UNUSED PINS	
		IN	OUT
90	74H20	1,2,4,5	6
20	7404	5	6
6	74500	1,2	3
108	849	9,10	8
108	849	12,13	11
42	74504	1	2
17	7438	9,10	8

NOTED UNLESS SPECIFIED  
 1. TOLERANCES  
 .05 ± .03 ANGULAR  
 .005 ± .010  
 2. BREAK ALL SHARP EDGES  
 .010 APPROX.  
 3. ALL DIM. IN INCHES  
 NEXT ASSEMBLYS

COMPUTER AUTOMATION, INC.

LOGIC DIAGRAM, MEMORY

SIZE DWG. INC. D 75-53641-XX

SCALE NONE

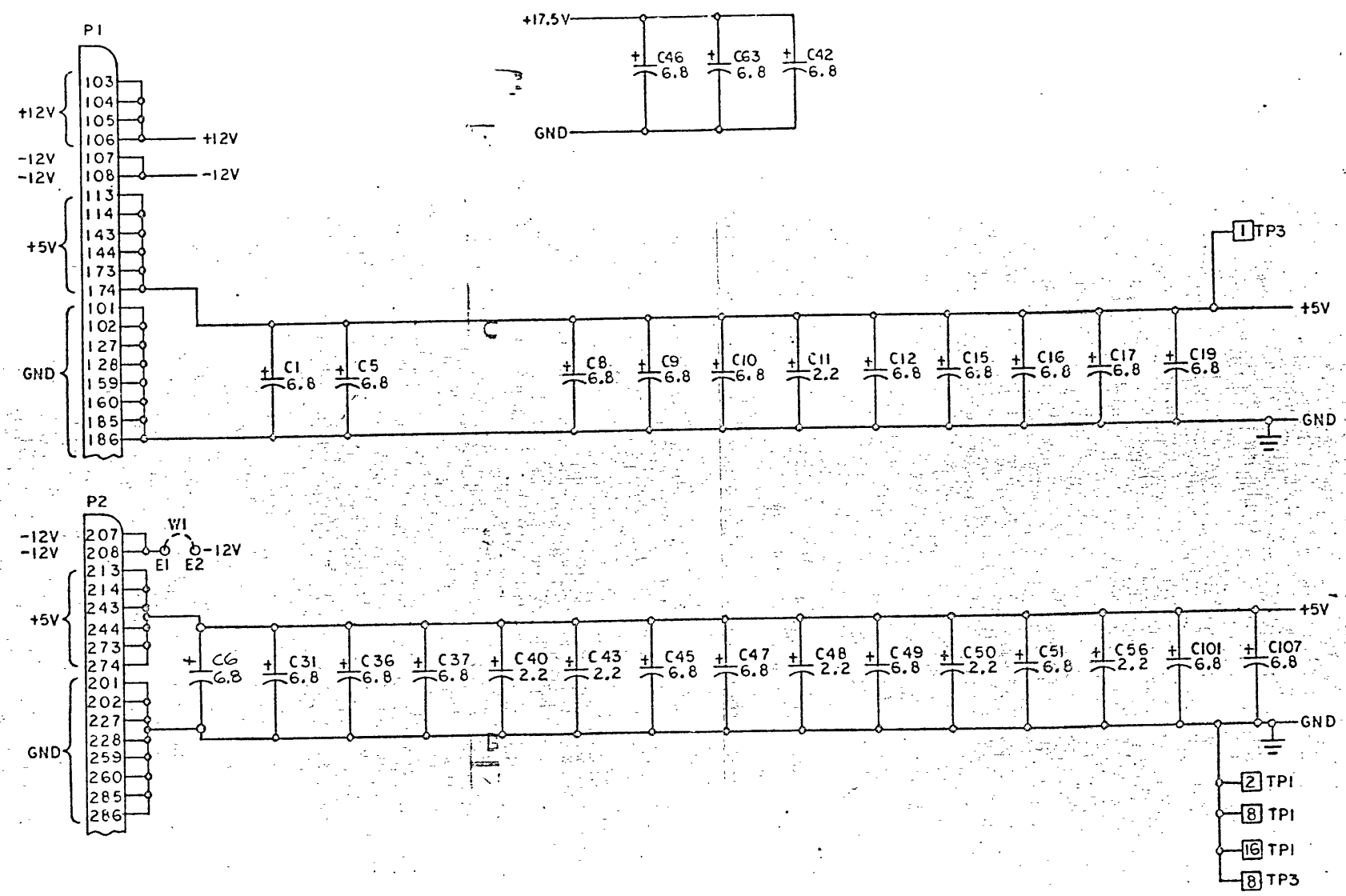
REV. 1 OF 1

- (12) -04, -14, -24, C64-B1 NOT USED R40-57, 12Ω.  
 -05, -15, -25, C64-B1, 2700PF, 10%, 200V, L40-57, 10Ω.
11. EP11-16, 19, ARE 75 ± 2%, 1/8W
  12. ALL RESISTOR PACKS ARE ± 5%, 1/8W
  13. ALL 0.8UF CAPACITORS ARE ± 20%, 20V
  14. ALL 2.2UF CAPACITORS ARE ± 10%, 20V
  15. ALL .022UF CAPACITORS ARE ± 20% - 20V, 20V
  16. ALL CAPACITOR VALUES ARE IN UF
  17. ALL DIODES ARE IN 999B
  18. ALL RESISTOR VALUES ARE IN OHMS, ± 5%, 1/8W
  19. SIGNALS MARKED ← ARE OUTGOING
  20. SIGNALS MARKED → ARE INCOMING
  21. FOR LOGIC DRAWING NO. SEE TABULATION BLOCK.

NOTES: UNLESS OTHERWISE SPECIFIED

**PROPRIETARY RIGHTS NOTICE**  
 THIS DOCUMENT AND INFORMATION THAT IT CONTAINS ARE THE PROPERTY OF COMPUTER AUTOMATION, INC. RIGHTS TO DUPLICATE OR OTHERWISE COPY THIS DOCUMENT AND RIGHTS TO DISCLOSE THE DOCUMENT AND SUCH INFORMATION TO OTHERS AND THE RIGHT TO USE THE INFORMATION CONTAINED THEREIN, MAY BE ACQUIRED ONLY BY WRITTEN PERMISSION SIGNED BY A DULY AUTHORIZED OFFICER OF COMPUTER AUTOMATION, INC.

REVISIONS					
REV	DESCRIPTION	CR	CH	DATE	APPROVAL



**PROPRIETARY RIGHTS NOTICE**  
 THIS DOCUMENT AND INFORMATION THAT IT CONTAINS ARE THE PROPERTY OF COMPUTER AUTOMATION, INC. RIGHTS TO DUPLICATE OR OTHERWISE COPY THIS DOCUMENT AND RIGHTS TO DISCLOSE THE DOCUMENT AND SUCH INFORMATION TO OTHERS AND THE RIGHT TO USE THE INFORMATION CONTAINED THEREIN, MAY BE ACQUIRED ONLY BY WRITTEN PERMISSION SIGNED BY A DULY AUTHORIZED OFFICER OF COMPUTER AUTOMATION, INC.

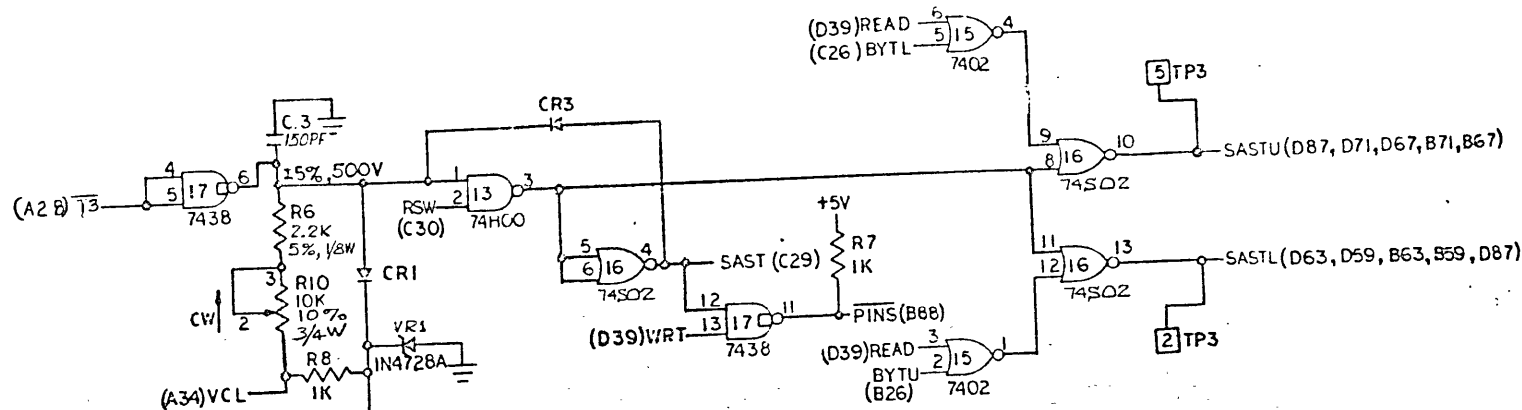
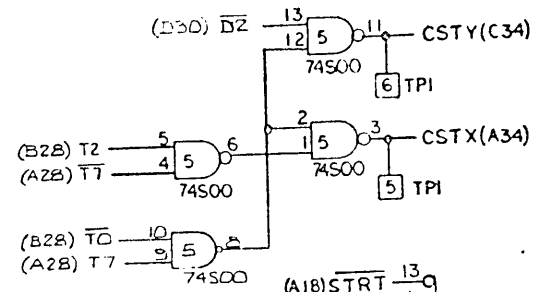
SIZE	D	75-1041-XX	REV	B1
SCALE			SHT.	2 OF 11



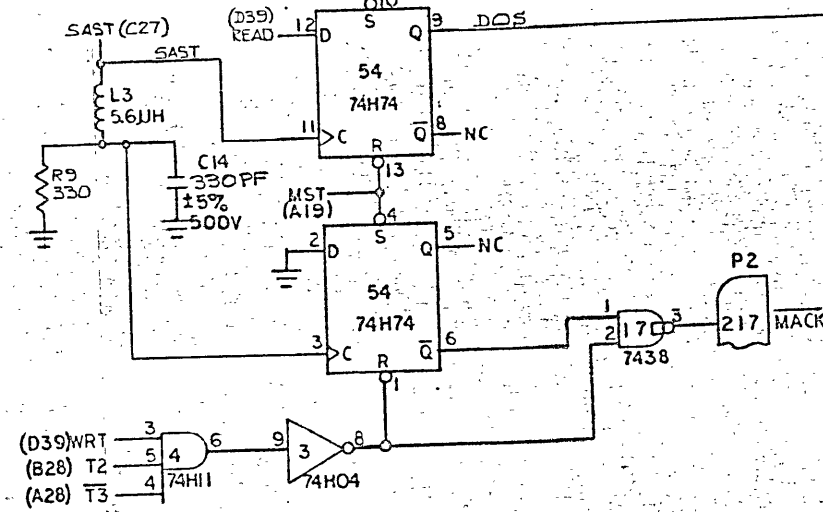
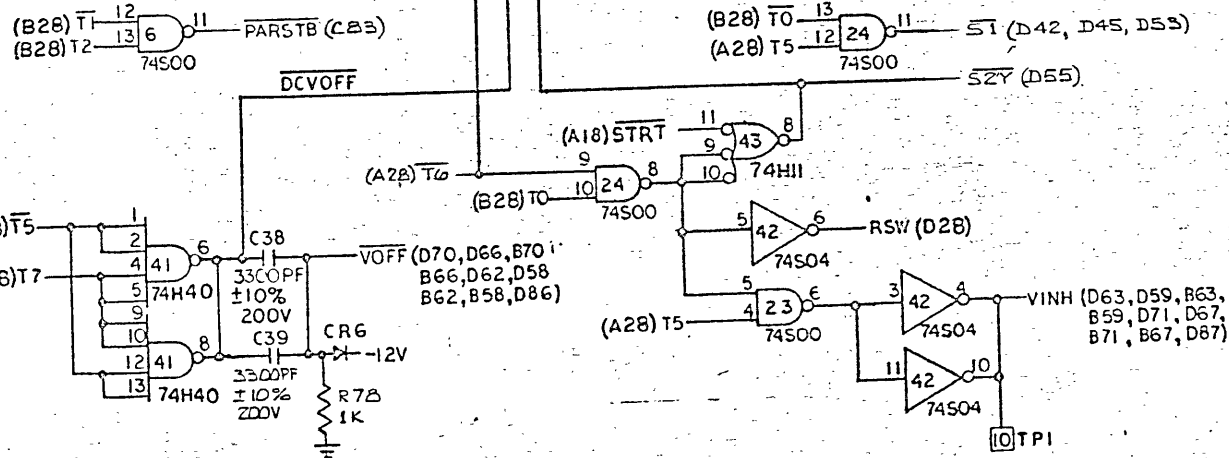
PROPRIETARY RIGHTS NOTICE  
 THIS DOCUMENT AND INFORMATION THAT IT CONTAINS ARE THE PROPERTY OF COMPUTER AUTOMATION, INC. RIGHTS TO DUPLICATE OR OTHERWISE COPY THIS DOCUMENT AND RIGHTS TO DISCLOSE THE DOCUMENT AND SUCH INFORMATION TO OTHERS AND THE RIGHT TO USE THE INFORMATION CONTAINED THEREIN, MAY BE ACQUIRED ONLY BY WRITTEN PERMISSION SIGNED BY A DULY AUTHORIZED OFFICER OF COMPUTER AUTOMATION, INC.

REVISIONS				
REV	DESCRIPTION	DR	CH	DATE

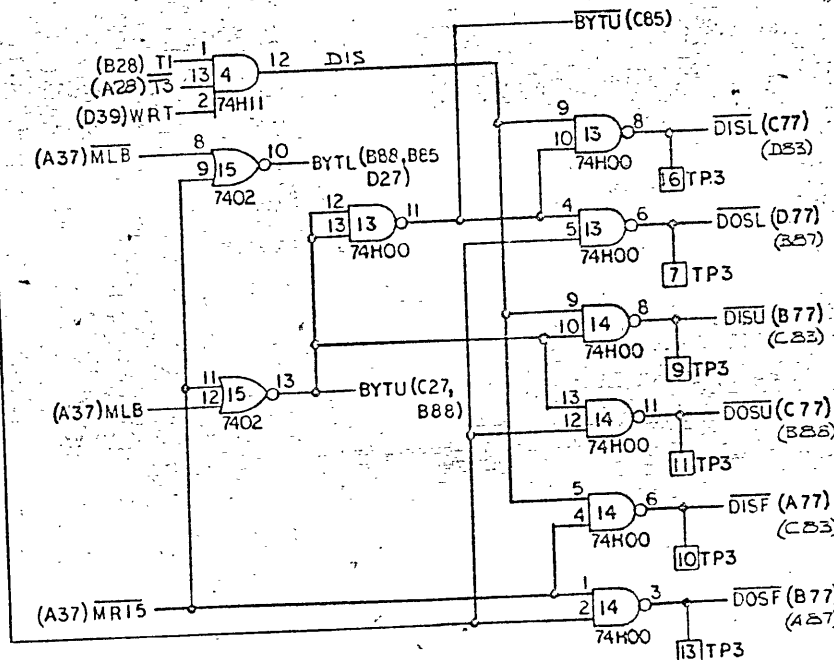
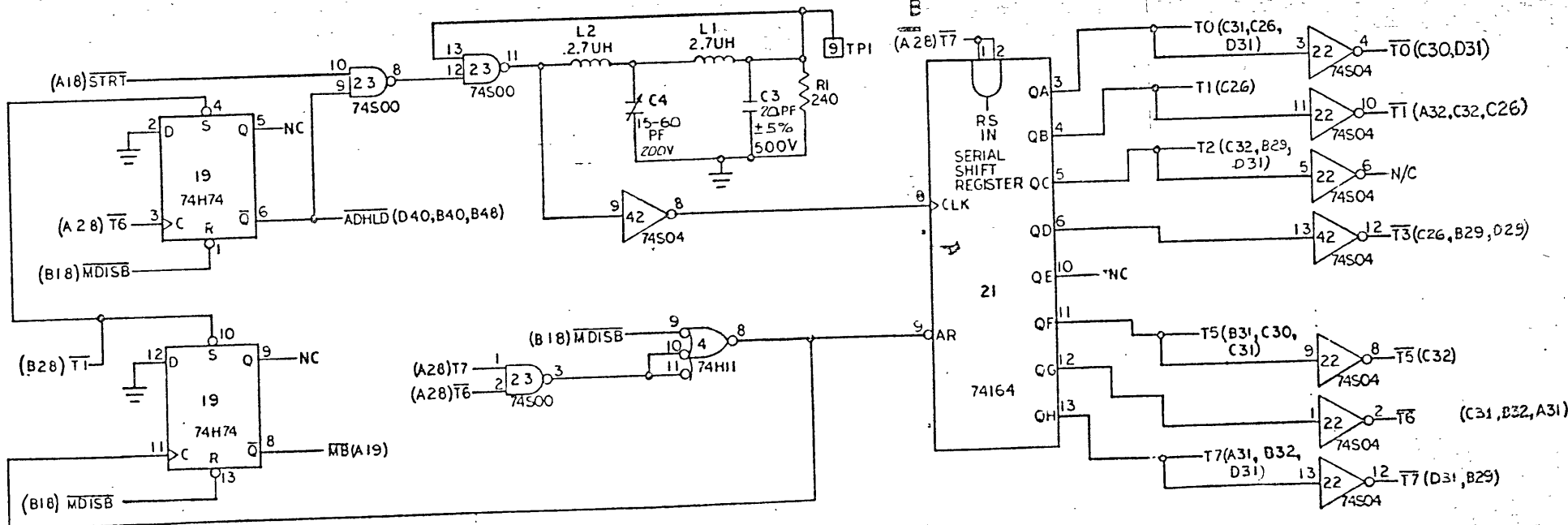
D



C



B



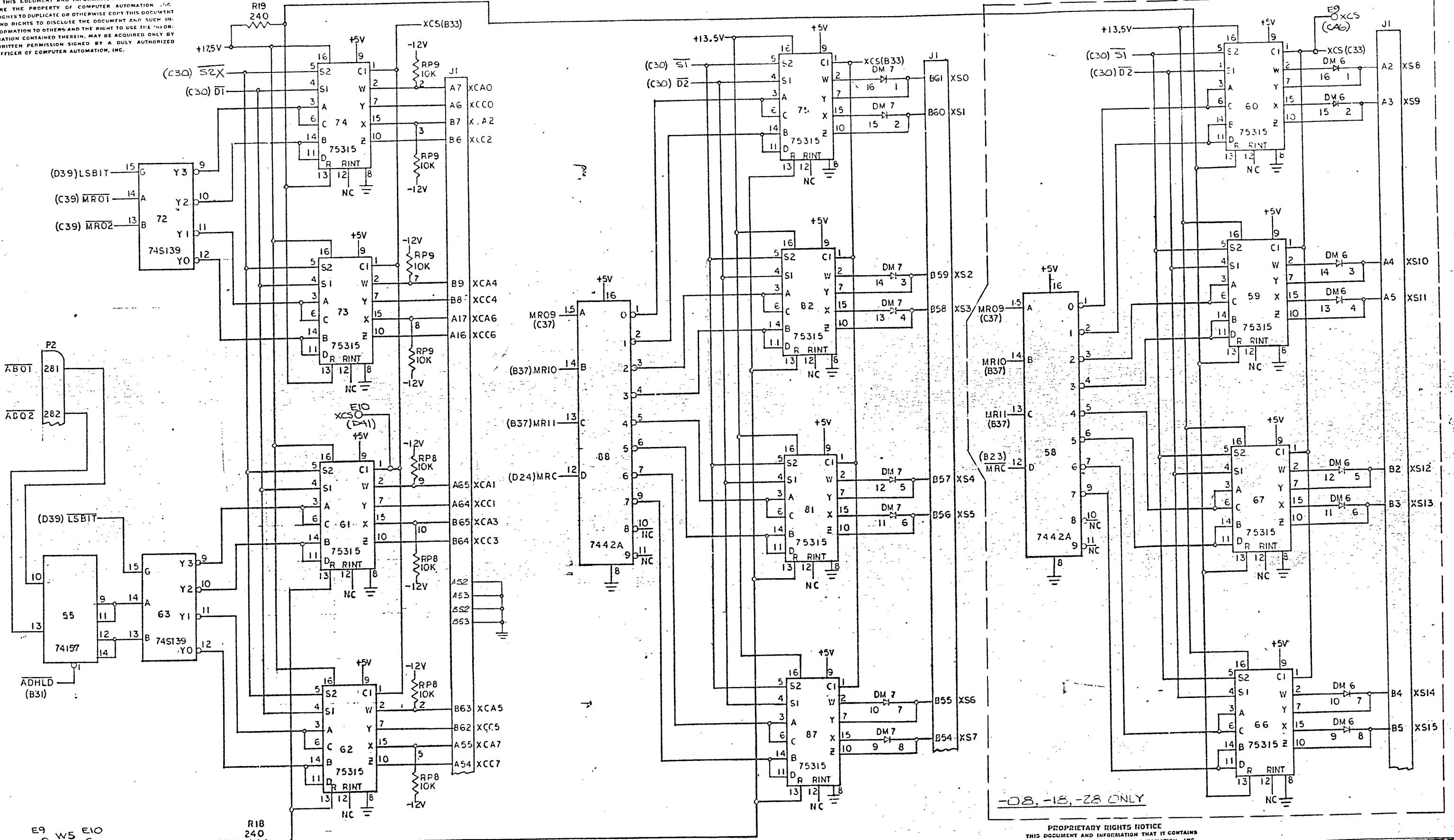
A

PROPRIETARY RIGHTS NOTICE  
 THIS DOCUMENT AND INFORMATION THAT IT CONTAINS ARE THE PROPERTY OF COMPUTER AUTOMATION, INC. RIGHTS TO DUPLICATE OR OTHERWISE COPY THIS DOCUMENT AND RIGHTS TO DISCLOSE THE DOCUMENT AND SUCH INFORMATION TO OTHERS AND THE RIGHT TO USE THE INFORMATION CONTAINED THEREIN, MAY BE ACQUIRED ONLY BY WRITTEN PERMISSION SIGNED BY A DULY AUTHORIZED OFFICER OF COMPUTER AUTOMATION, INC.

SIZE	D	75-53641-XX	RE	B1
SCALE			SHT.	4 OF 11

**PROPRIETARY RIGHTS NOTICE**  
 THIS DOCUMENT AND INFORMATION THAT IT CONTAINS ARE THE PROPERTY OF COMPUTER AUTOMATION, INC. RIGHTS TO DUPLICATE OR OTHERWISE COPY THIS DOCUMENT AND RIGHTS TO DISCLOSE THE DOCUMENT AND SUCH INFORMATION TO OTHERS AND THE RIGHT TO USE THE INFORMATION CONTAINED THEREIN, MAY BE ACQUIRED ONLY BY WRITTEN PERMISSION SIGNED BY A DULY AUTHORIZED OFFICER OF COMPUTER AUTOMATION, INC.

REVISIONS					
REV	DESCRIPTION	DR	CH	DATE	APPROVAL



-08, -18, -28 ONLY

**PROPRIETARY RIGHTS NOTICE**  
 THIS DOCUMENT AND INFORMATION THAT IT CONTAINS ARE THE PROPERTY OF COMPUTER AUTOMATION, INC. RIGHTS TO DUPLICATE OR OTHERWISE COPY THIS DOCUMENT AND RIGHTS TO DISCLOSE THE DOCUMENT AND SUCH INFORMATION TO OTHERS AND THE RIGHT TO USE THE INFORMATION CONTAINED THEREIN, MAY BE ACQUIRED ONLY BY WRITTEN PERMISSION SIGNED BY A DULY AUTHORIZED OFFICER OF COMPUTER AUTOMATION, INC.

SIZE	D	75-53641-XX	REV	B13
SCALE			SHT.	6 OF 11

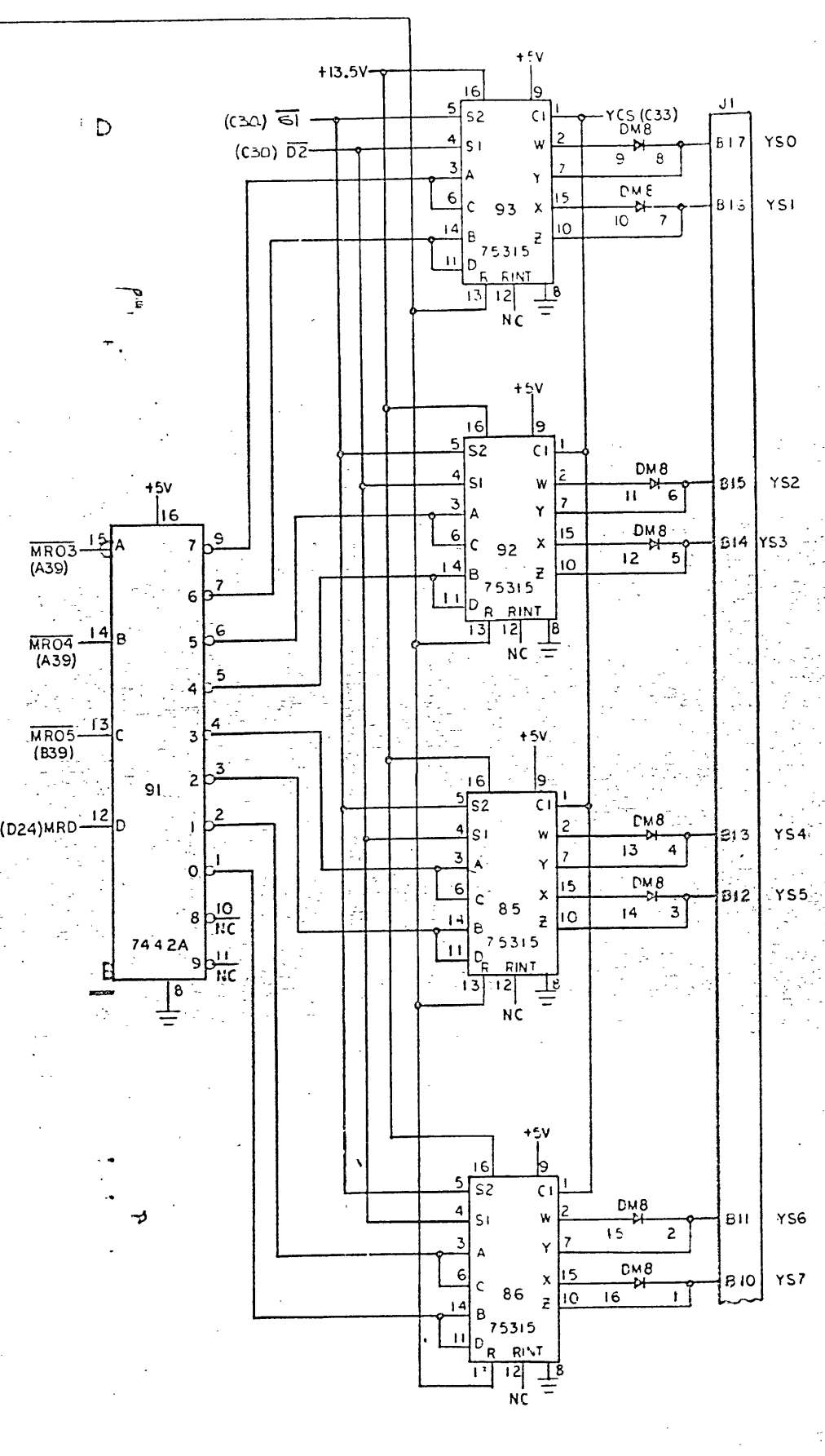
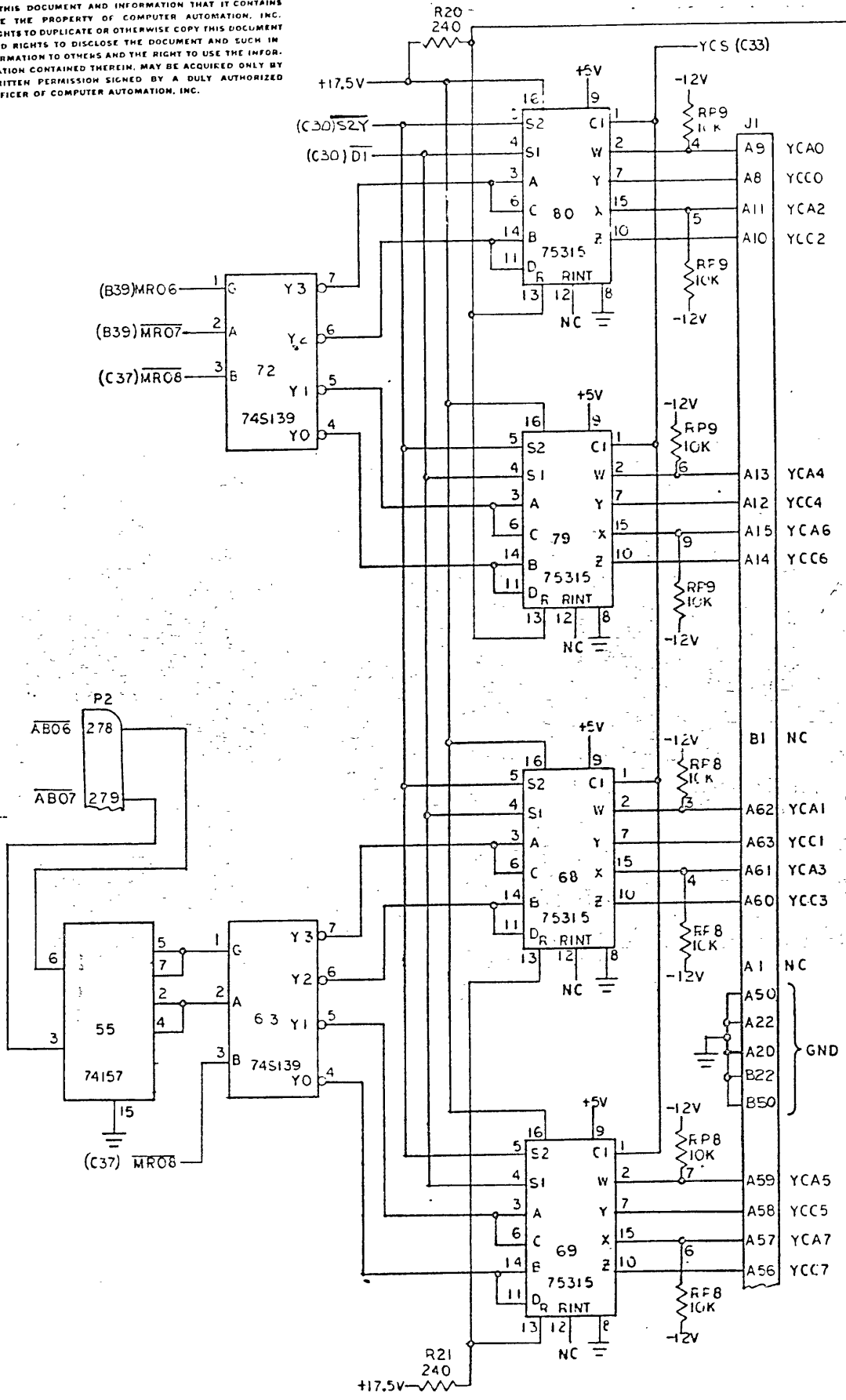
E9 W5 E10  
 XCS XCS  
 (D41) (C46)





**PROPRIETARY RIGHTS NOTICE**  
 THIS DOCUMENT AND INFORMATION THAT IT CONTAINS ARE THE PROPERTY OF COMPUTER AUTOMATION, INC. RIGHTS TO DUPLICATE OR OTHERWISE COPY THIS DOCUMENT AND RIGHTS TO DISCLOSE THE DOCUMENT AND SUCH INFORMATION TO OTHERS AND THE RIGHT TO USE THE INFORMATION CONTAINED THEREIN, MAY BE ACQUIRED ONLY BY WRITTEN PERMISSION SIGNED BY A DULY AUTHORIZED OFFICER OF COMPUTER AUTOMATION, INC.

REVISIONS					
REV	DESCRIPTION	DR	CH	DATE	APPROVAL

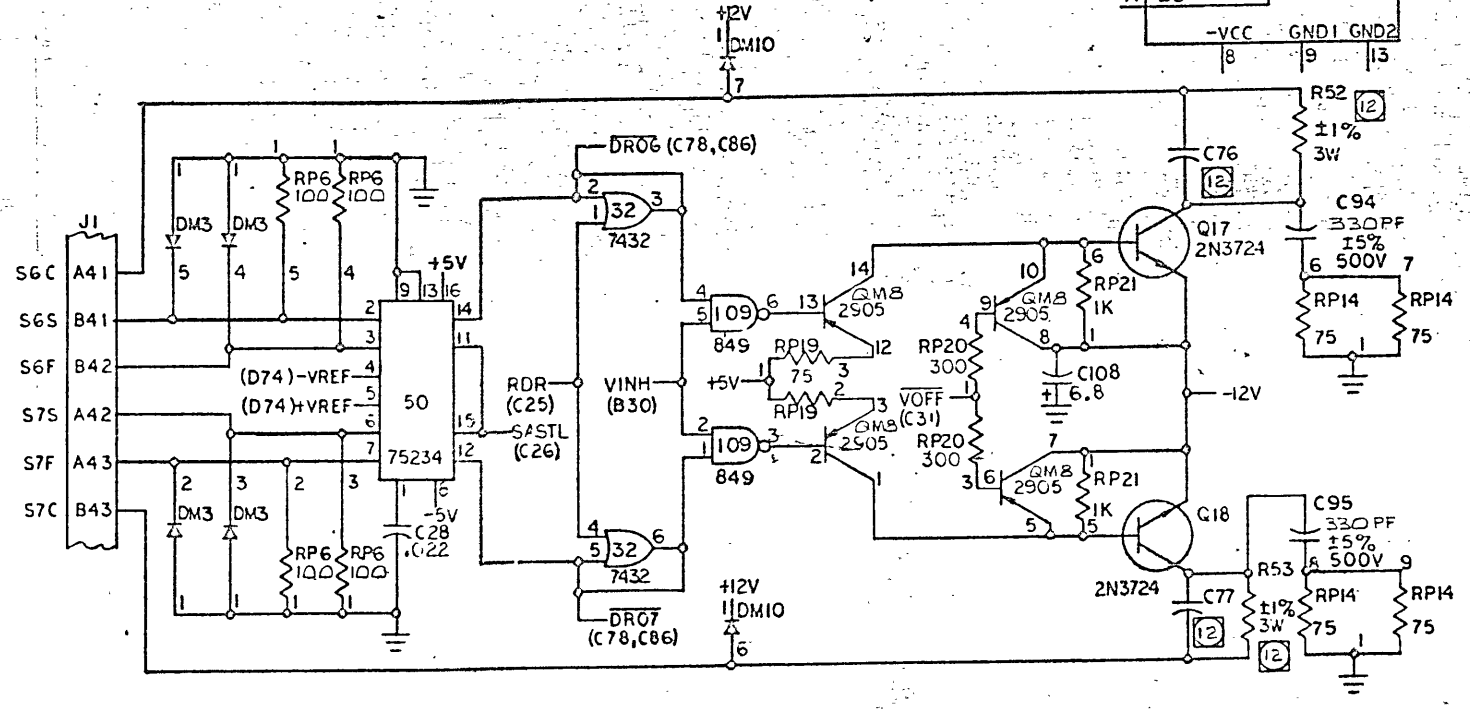
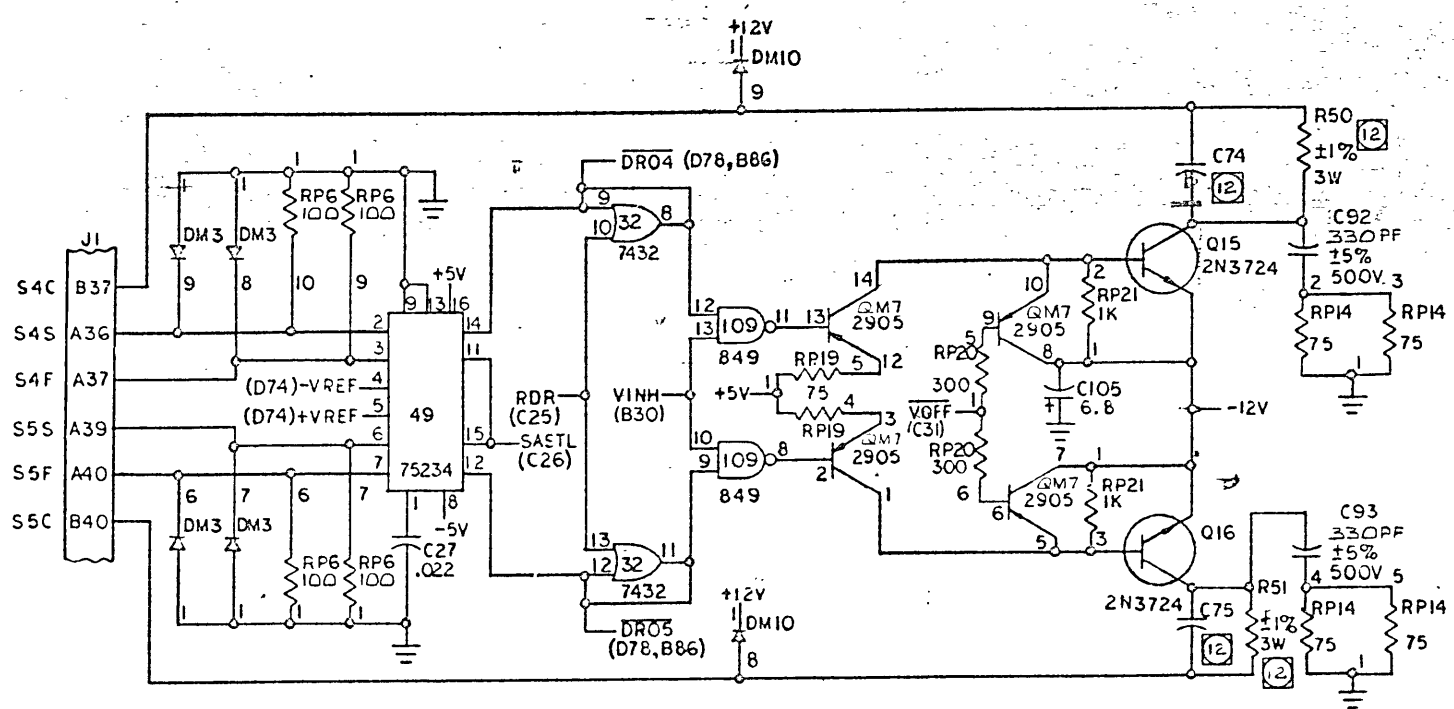
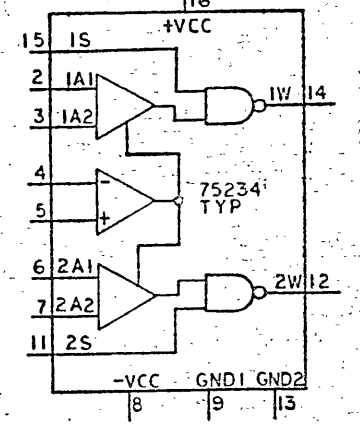
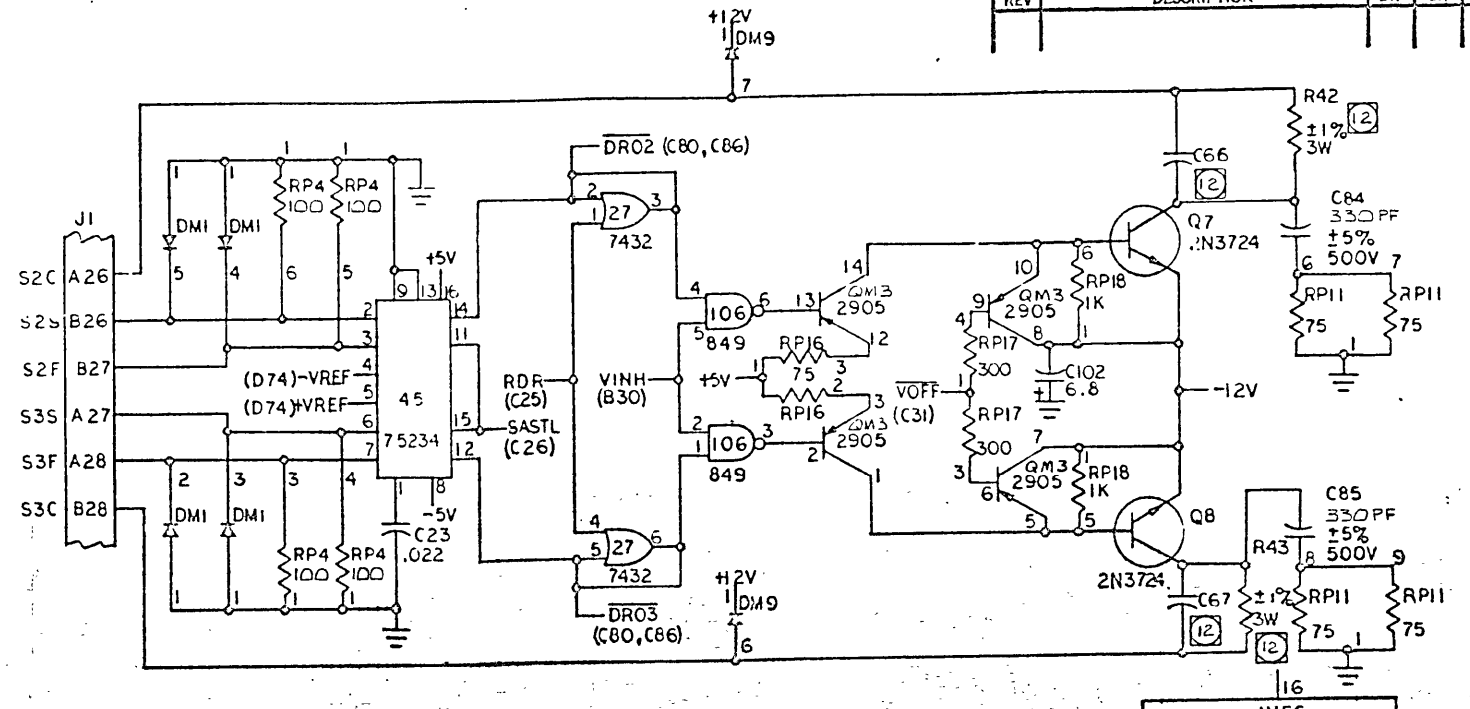
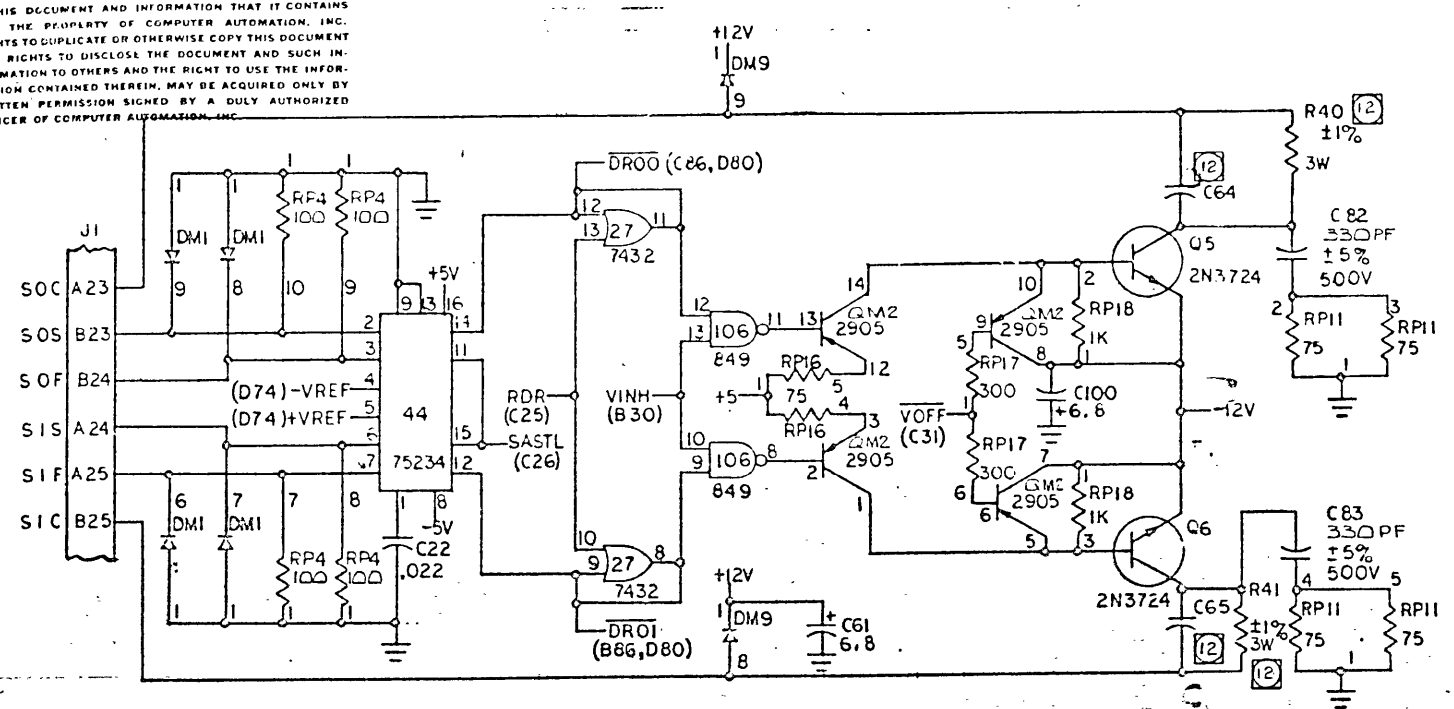


**PROPRIETARY RIGHTS NOTICE**  
 THIS DOCUMENT AND INFORMATION THAT IT CONTAINS ARE THE PROPERTY OF COMPUTER AUTOMATION, INC. RIGHTS TO DUPLICATE OR OTHERWISE COPY THIS DOCUMENT AND RIGHTS TO DISCLOSE THE DOCUMENT AND SUCH INFORMATION TO OTHERS AND THE RIGHT TO USE THE INFORMATION CONTAINED THEREIN, MAY BE ACQUIRED ONLY BY WRITTEN PERMISSION SIGNED BY A DULY AUTHORIZED OFFICER OF COMPUTER AUTOMATION, INC.

SIZE	D	75-53041-XX	REV	B13
SCALE	=		SHT.	7 OF 11

REVISIONS					
REV	DESCRIPTION	DR	CH	DATE	APPROVAL

PROPRIETARY RIGHTS NOTICE  
 THIS DOCUMENT AND INFORMATION THAT IT CONTAINS ARE THE PROPERTY OF COMPUTER AUTOMATION, INC. RIGHTS TO DUPLICATE OR OTHERWISE COPY THIS DOCUMENT AND RIGHTS TO DISCLOSE THE DOCUMENT AND SUCH INFORMATION TO OTHERS AND THE RIGHT TO USE THE INFORMATION CONTAINED THEREIN, MAY BE ACQUIRED ONLY BY WRITTEN PERMISSION SIGNED BY A DULY AUTHORIZED OFFICER OF COMPUTER AUTOMATION, INC.



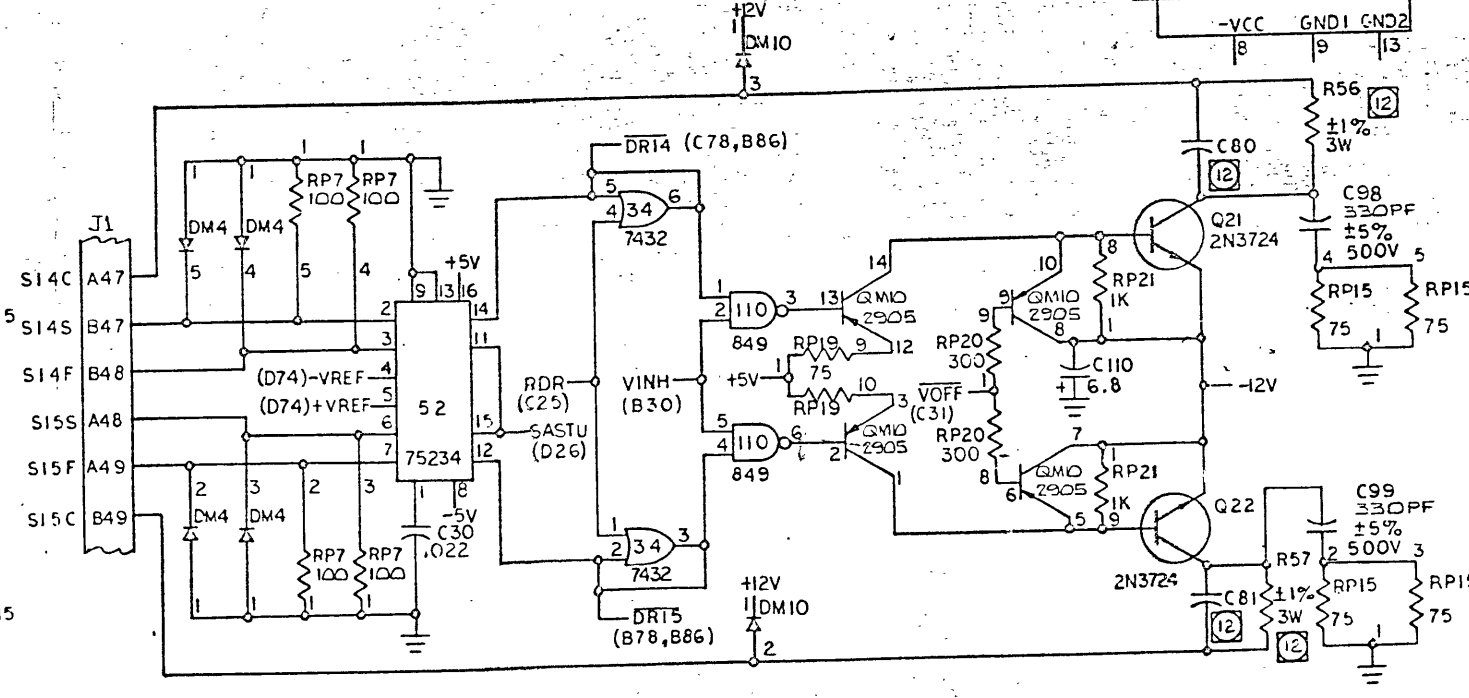
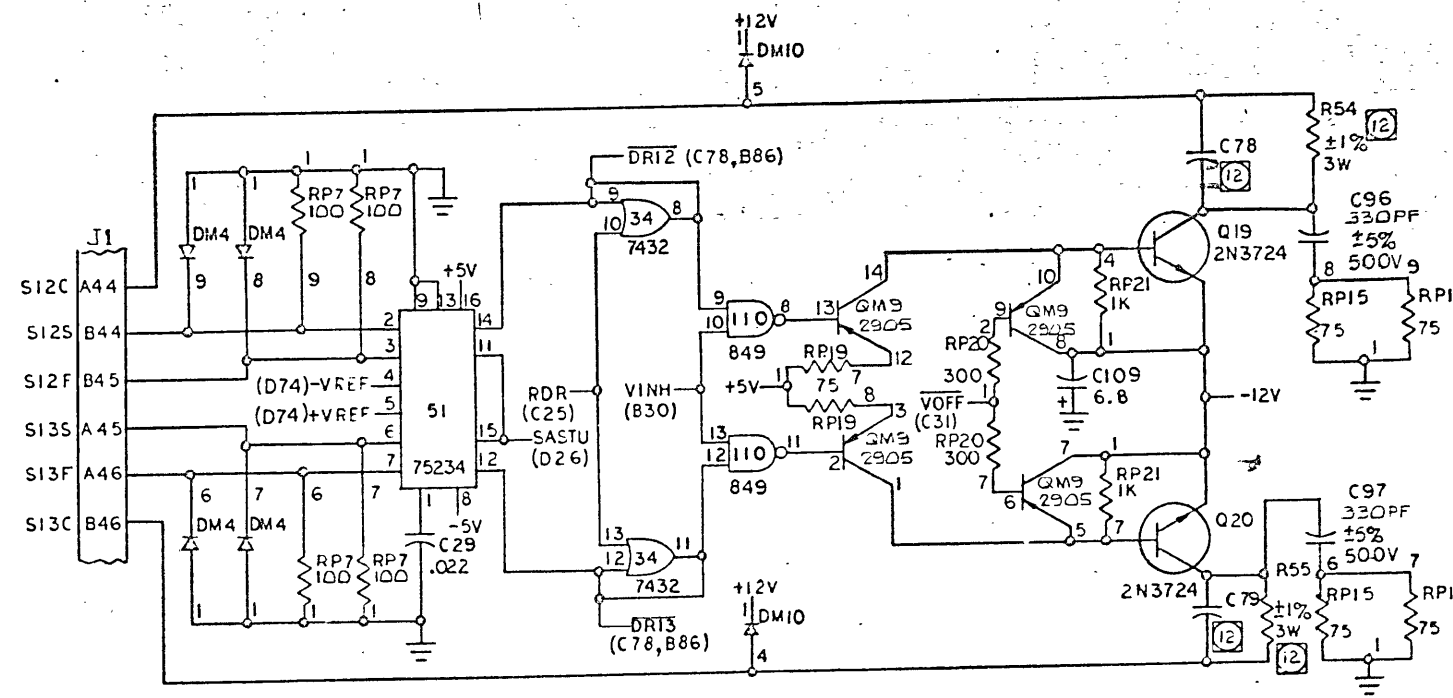
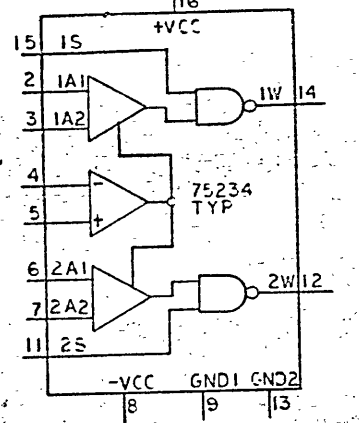
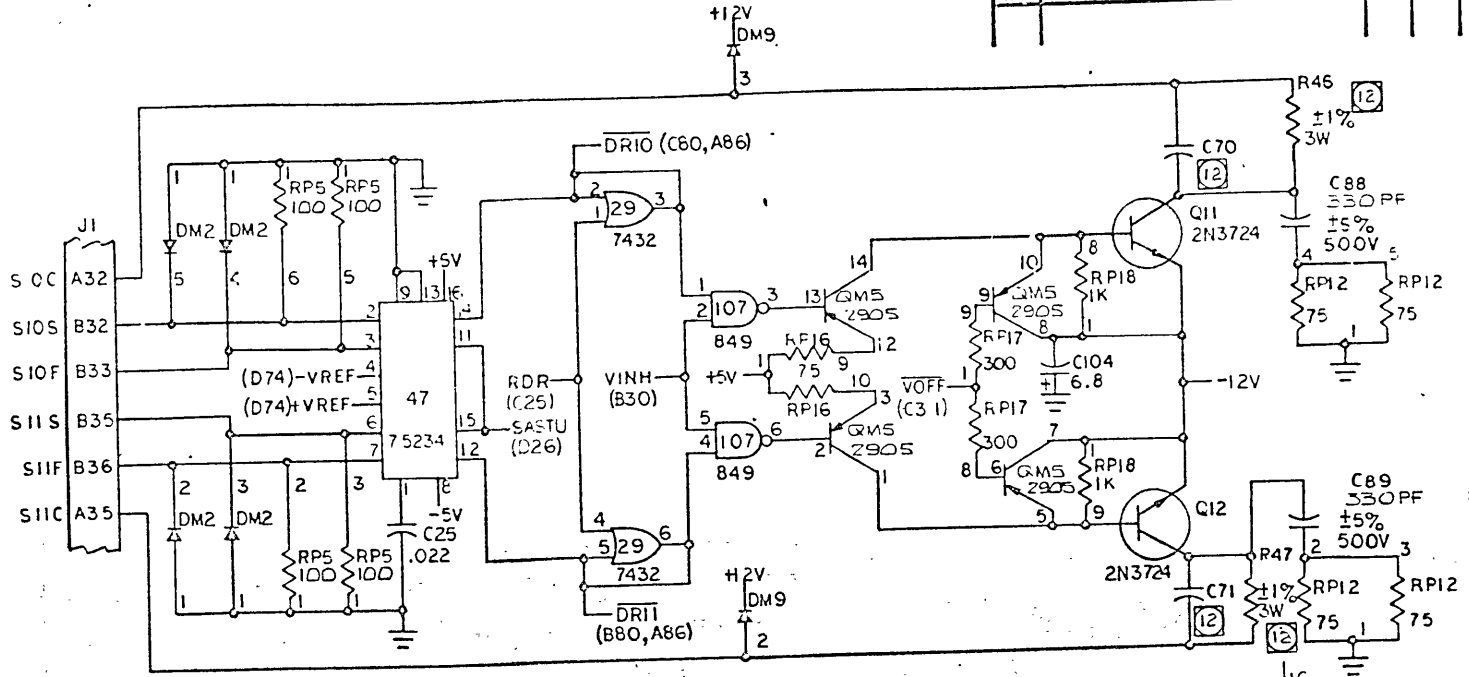
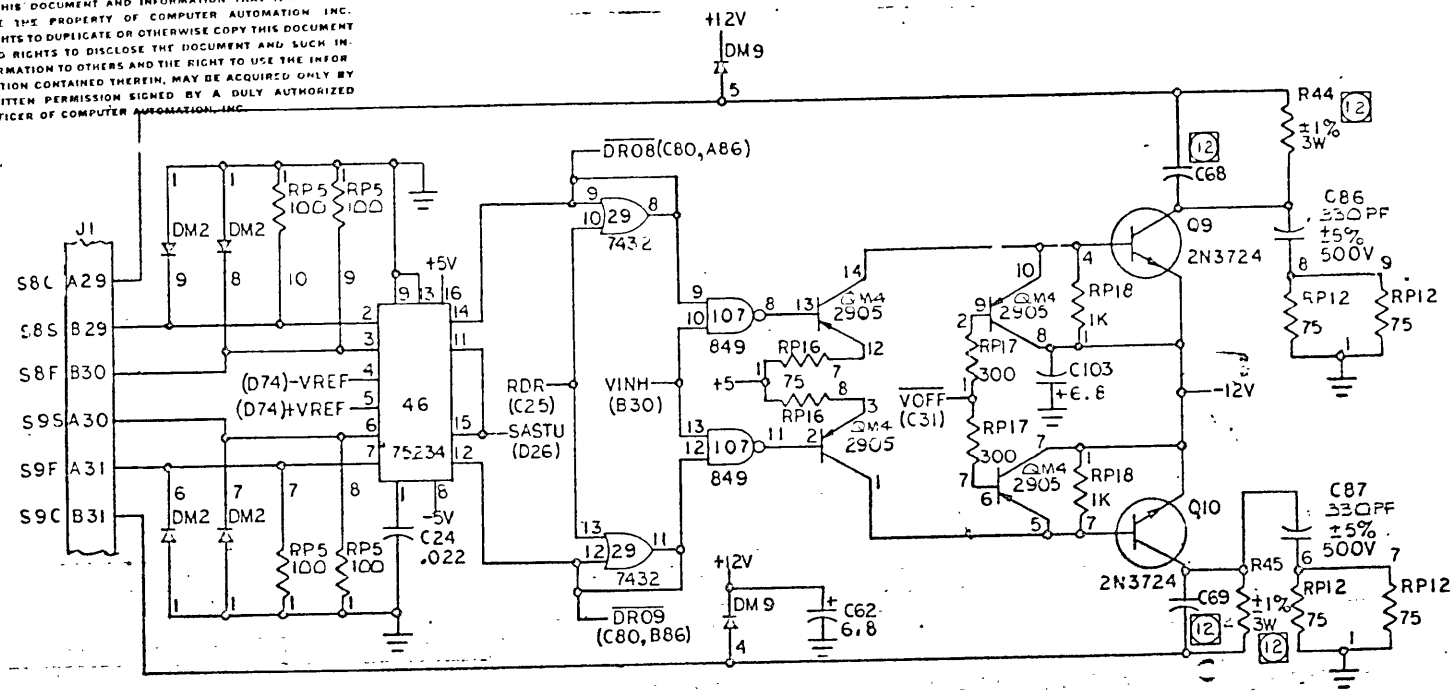
PROPRIETARY RIGHTS NOTICE  
 THIS DOCUMENT AND INFORMATION THAT IT CONTAINS ARE THE PROPERTY OF COMPUTER AUTOMATION, INC. RIGHTS TO DUPLICATE OR OTHERWISE COPY THIS DOCUMENT AND RIGHTS TO DISCLOSE THE DOCUMENT AND SUCH INFORMATION TO OTHERS AND THE RIGHT TO USE THE INFORMATION CONTAINED THEREIN, MAY BE ACQUIRED ONLY BY WRITTEN PERMISSION SIGNED BY A DULY AUTHORIZED OFFICER OF COMPUTER AUTOMATION, INC.

SIZE	D	75-53641-XX	REV	B13
SCALE			SHT.	8 OF 11



REVISIONS					
REV	DESCRIPTION	DR	CH	DATE	APPROVAL

**PROPRIETARY RIGHTS NOTICE**  
 THIS DOCUMENT AND INFORMATION THAT IT CONTAINS ARE THE PROPERTY OF COMPUTER AUTOMATION, INC. RIGHTS TO DUPLICATE OR OTHERWISE COPY THIS DOCUMENT AND RIGHTS TO DISCLOSE THE DOCUMENT AND SUCH INFORMATION TO OTHERS AND THE RIGHT TO USE THE INFORMATION CONTAINED THEREIN, MAY BE ACQUIRED ONLY BY WRITTEN PERMISSION SIGNED BY A DULY AUTHORIZED OFFICER OF COMPUTER AUTOMATION, INC.

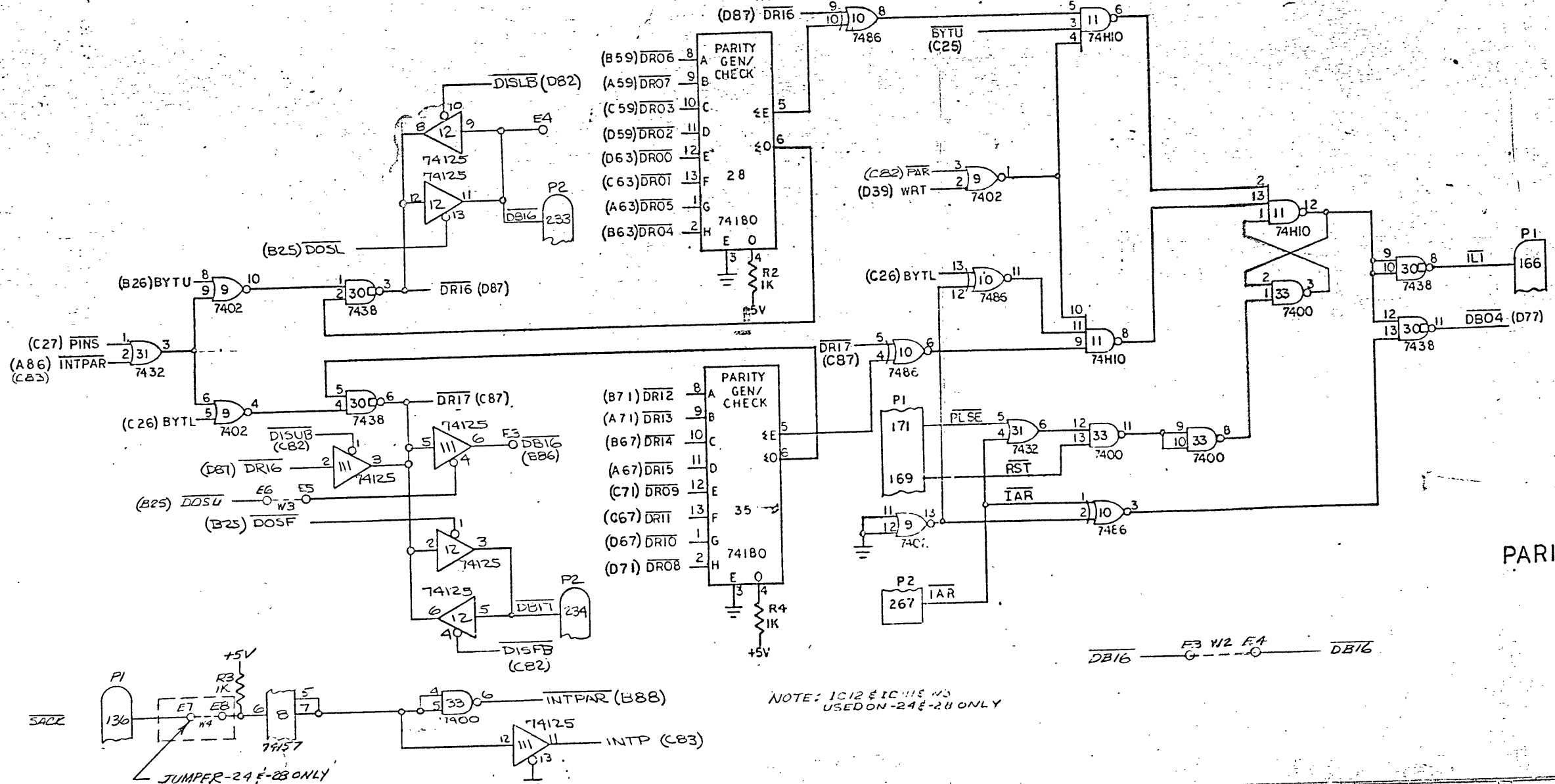
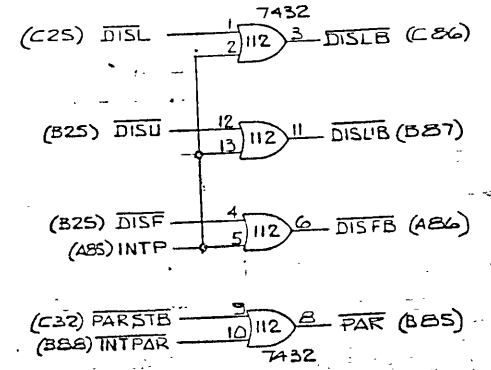
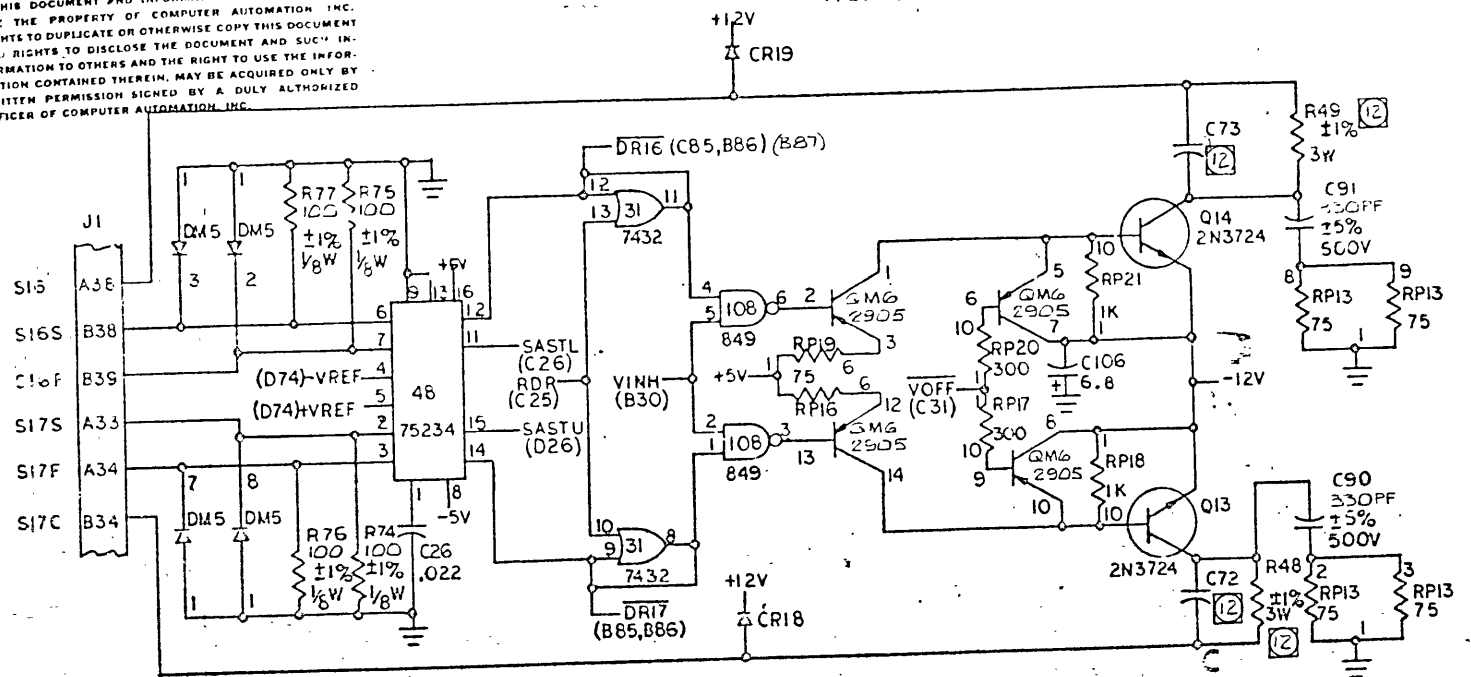


**PROPRIETARY RIGHTS NOTICE**  
 THIS DOCUMENT AND INFORMATION THAT IT CONTAINS ARE THE PROPERTY OF COMPUTER AUTOMATION, INC. RIGHTS TO DUPLICATE OR OTHERWISE COPY THIS DOCUMENT AND RIGHTS TO DISCLOSE THE DOCUMENT AND SUCH INFORMATION TO OTHERS AND THE RIGHT TO USE THE INFORMATION CONTAINED THEREIN, MAY BE ACQUIRED ONLY BY WRITTEN PERMISSION SIGNED BY A DULY AUTHORIZED OFFICER OF COMPUTER AUTOMATION, INC.

SIZE	D	75-53641-XX	REV	613
SCALE			SHT. 9 OF 11	

REVISIONS					
REV	DESCRIPTION	DR	CI	DATE	APPROVAL

**PROPRIETARY RIGHTS NOTICE**  
 THIS DOCUMENT AND INFORMATION THAT IT CONTAINS ARE THE PROPERTY OF COMPUTER AUTOMATION, INC. RIGHTS TO DUPLICATE OR OTHERWISE COPY THIS DOCUMENT OR RIGHTS TO DISCLOSE THE DOCUMENT AND SUCH INFORMATION TO OTHERS AND THE RIGHT TO USE THE INFORMATION CONTAINED THEREIN, MAY BE ACQUIRED ONLY BY WRITTEN PERMISSION SIGNED BY A DULY AUTHORIZED OFFICER OF COMPUTER AUTOMATION, INC.



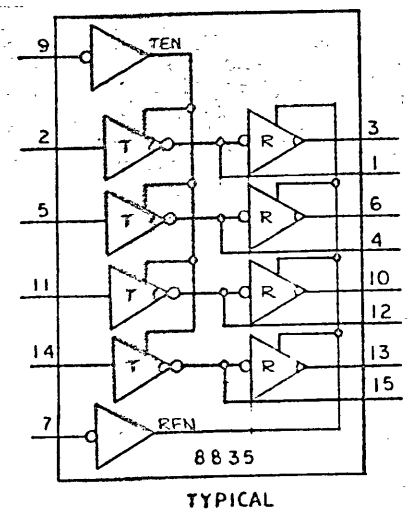
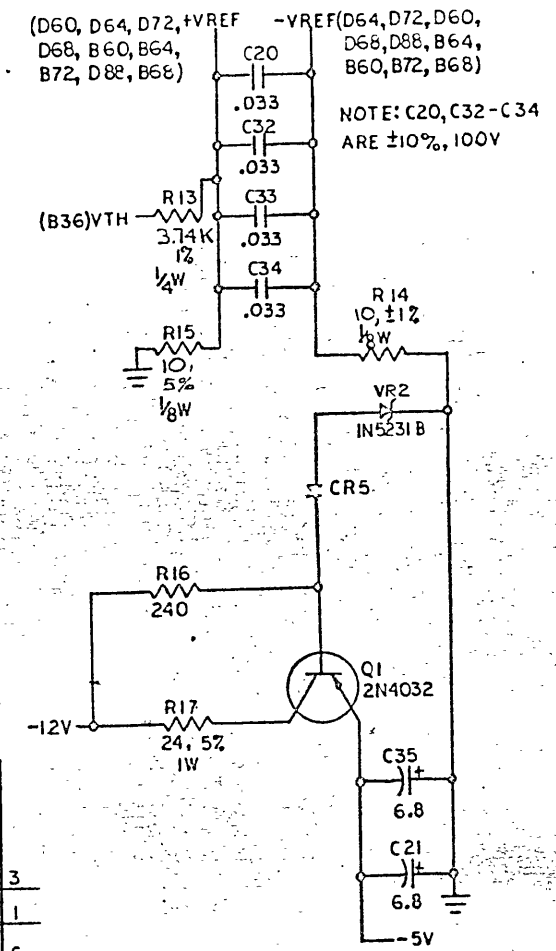
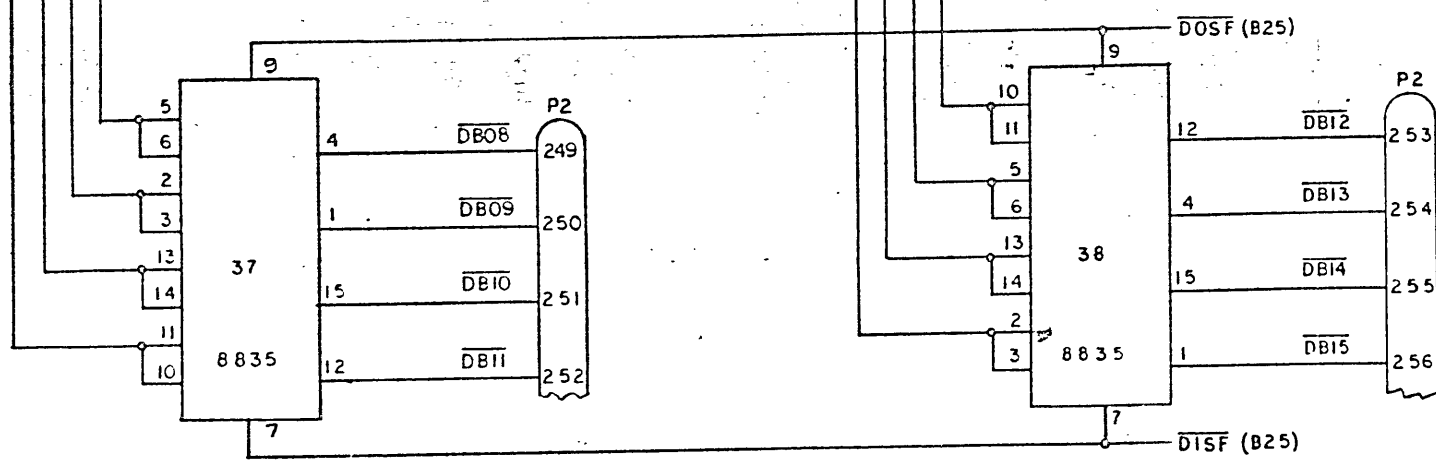
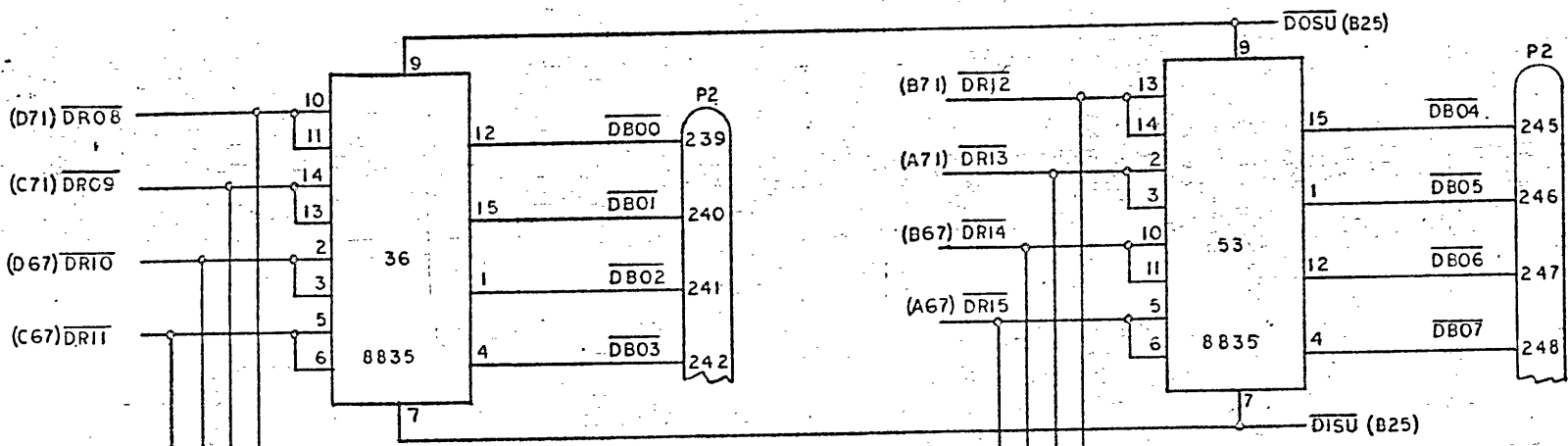
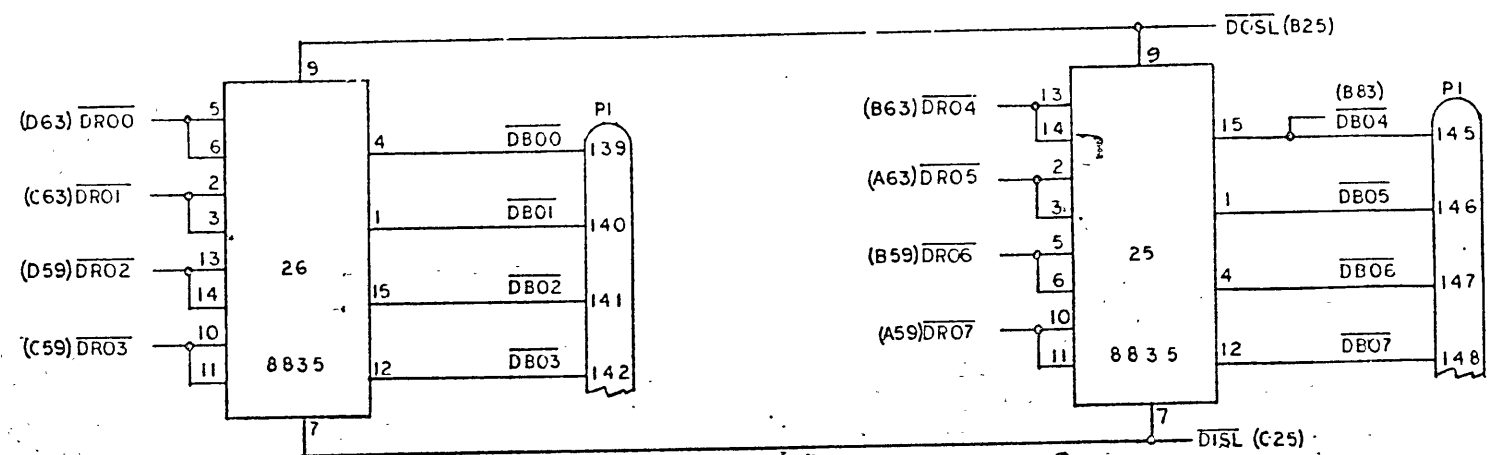
PARITY OPTION

**PROPRIETARY RIGHTS NOTICE**  
 THIS DOCUMENT AND INFORMATION THAT IT CONTAINS ARE THE PROPERTY OF COMPUTER AUTOMATION, INC. RIGHTS TO DUPLICATE OR OTHERWISE COPY THIS DOCUMENT OR RIGHTS TO DISCLOSE THE DOCUMENT AND SUCH INFORMATION TO OTHERS AND THE RIGHT TO USE THE INFORMATION CONTAINED THEREIN, MAY BE ACQUIRED ONLY BY WRITTEN PERMISSION SIGNED BY A DULY AUTHORIZED OFFICER OF COMPUTER AUTOMATION, INC.

SIZE	D	REV	B13
SCALE	SHT. 1 OF 1		

**PROPRIETARY RIGHTS NOTICE**  
 THIS DOCUMENT AND INFORMATION THAT IT CONTAINS ARE THE PROPERTY OF COMPUTER AUTOMATION, INC. RIGHTS TO DUPLICATE OR OTHERWISE COPY THIS DOCUMENT AND RIGHTS TO DISCLOSE THE DOCUMENT AND SUCH INFORMATION TO OTHERS AND THE RIGHT TO USE THE INFORMATION CONTAINED THEREIN, MAY BE ACQUIRED ONLY BY WRITTEN PERMISSION SIGNED BY A DULY AUTHORIZED OFFICER OF COMPUTER AUTOMATION, INC.

REVISIONS					
REV	DESCRIPTION	DR	CH	DATE	APPROVAL



**PROPRIETARY RIGHTS NOTICE**  
 THIS DOCUMENT AND INFORMATION THAT IT CONTAINS ARE THE PROPERTY OF COMPUTER AUTOMATION, INC. RIGHTS TO DUPLICATE OR OTHERWISE COPY THIS DOCUMENT AND RIGHTS TO DISCLOSE THE DOCUMENT AND SUCH INFORMATION TO OTHERS AND THE RIGHT TO USE THE INFORMATION CONTAINED THEREIN, MAY BE ACQUIRED ONLY BY WRITTEN PERMISSION SIGNED BY A DULY AUTHORIZED OFFICER OF COMPUTER AUTOMATION, INC.

SIZE	75-53641-XX	REV	B13
SCALE	1:1	SHT.	10 OF 11