

REVISIONS			
SYM	DESCRIPTION	DATE	APPROVAL
D0	INITIAL RELEASE	2-6-68	DA
D1	SEE EN 1114	1-20-73	DA
D2	CHANGED PER EN 1742	4/10/74	WOL
D3	CHANGED PER EN 2024	4/17/74	WOL

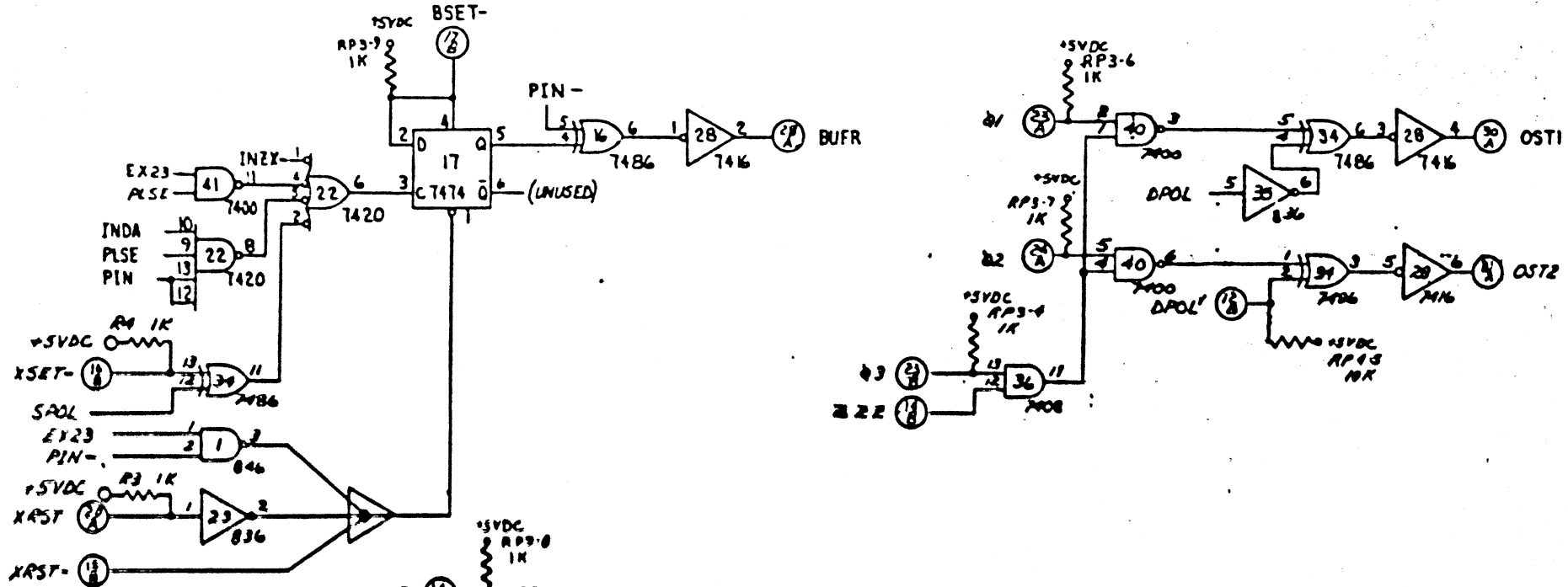
3. ALL .02μF CAPACITORS ARE 25V.
 ALL 2.2μF CAPACITORS ARE 20V.
 2. ALL RESISTORS ARE 5% 1/4W.
 1. SEE DWG DO-53223-00 FOR ASSY DWG.
 NOTES: UNLESS OTHERWISE SPECIFIED.

REV	SYM	PART NO.	DESCRIPTION	MAT'L.	VENDOR
LIST OF MATERIAL					
COMPUTER AUTOMATION INC.					
LOGIC - UTILITY CONTROLLER					
				SIZE	REV
				D	D 3
				SCALE =	SHT. 1 OF 4

REVISIONS		
SYM	DESCRIPTION	DATE/APPVAL

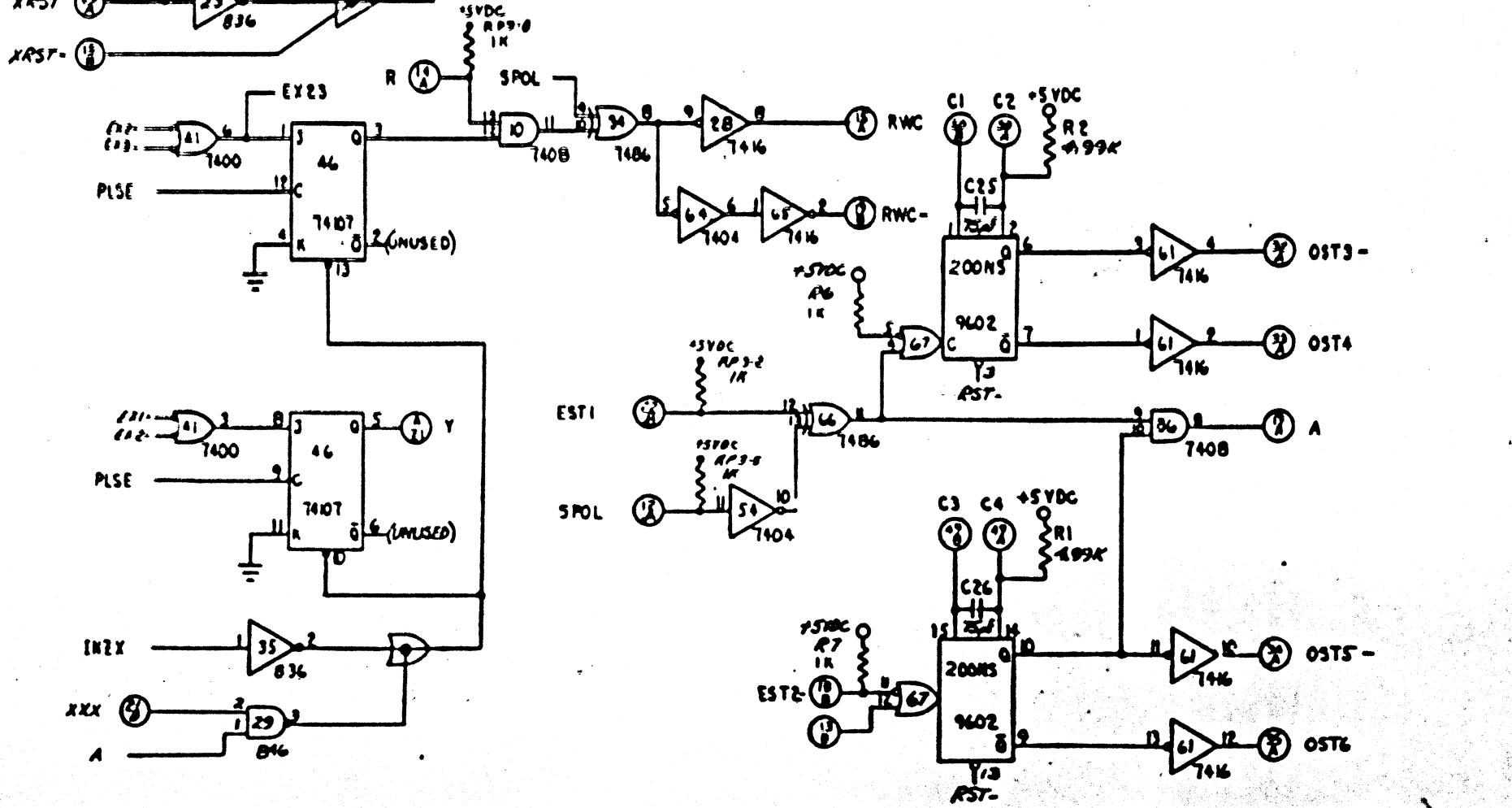
A

A



B

B



C

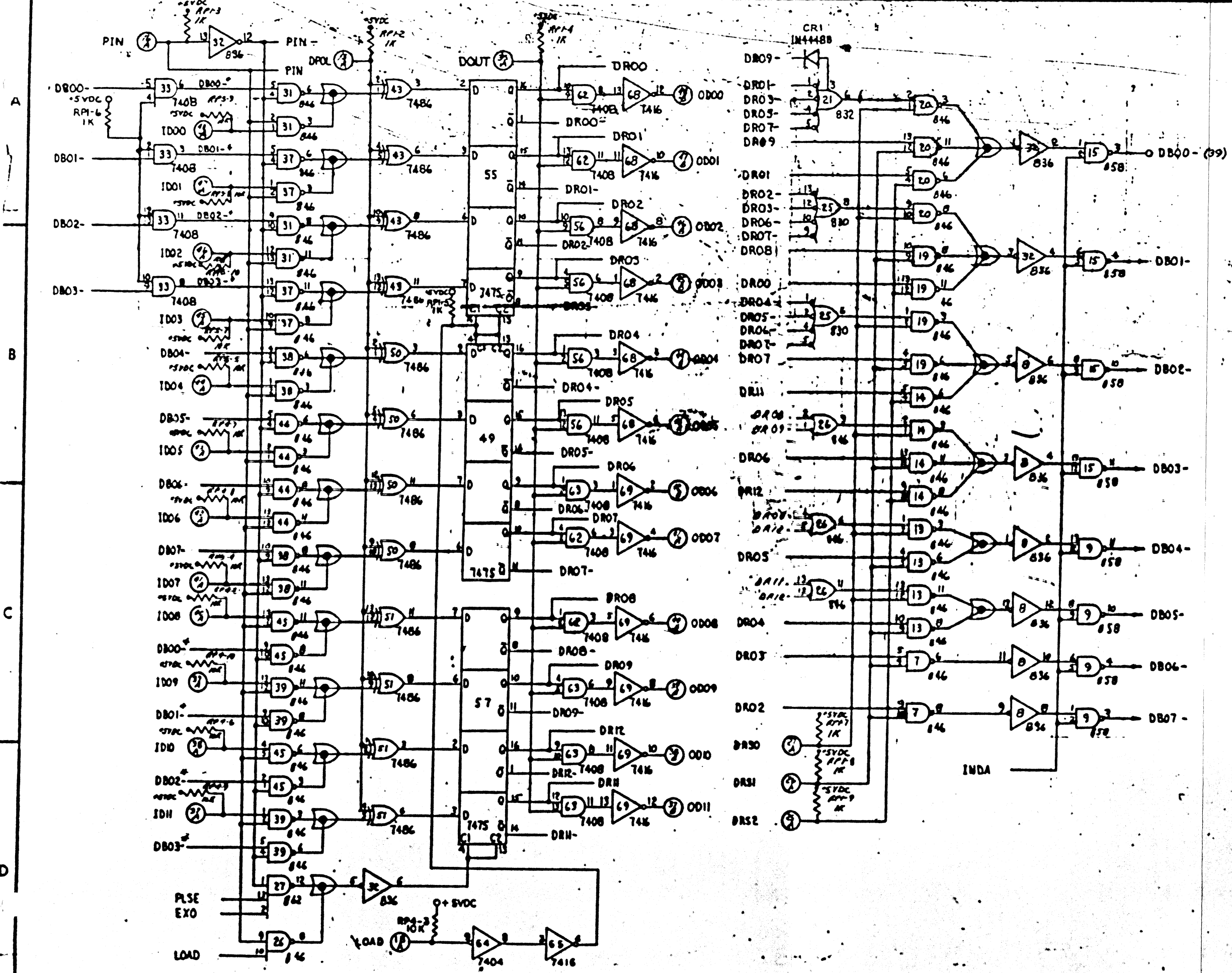
C

D

D

SIZE	00-52223-00	REV	03
SCALE		SHEET	3 OF 4

REVISIONS		
SYM	DESCRIPTION	DATE/APPVAL



SIZE	D 00-52223-00	REV	D3
SCALE		SHEET	4 OF 4