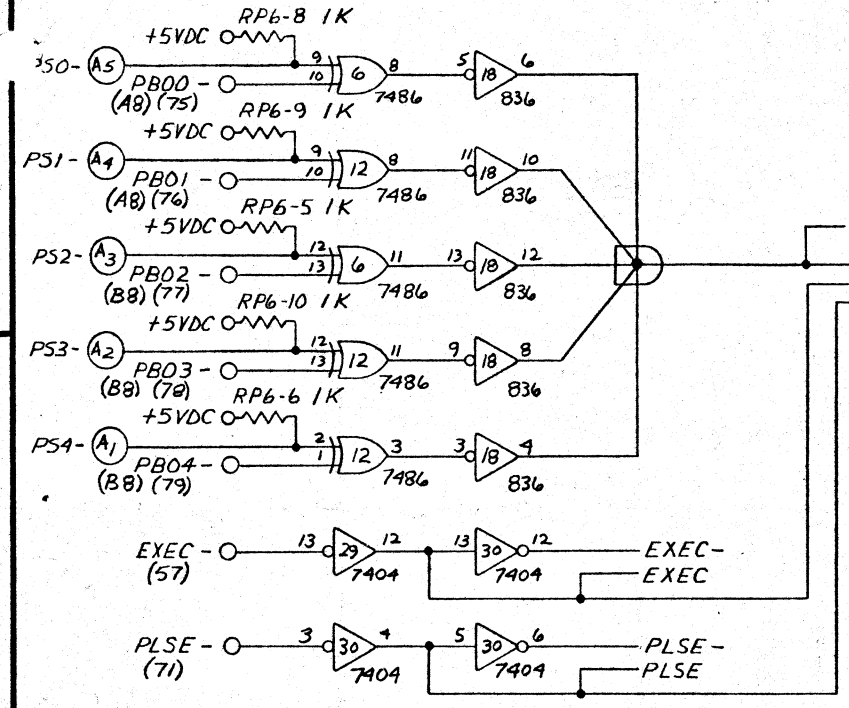
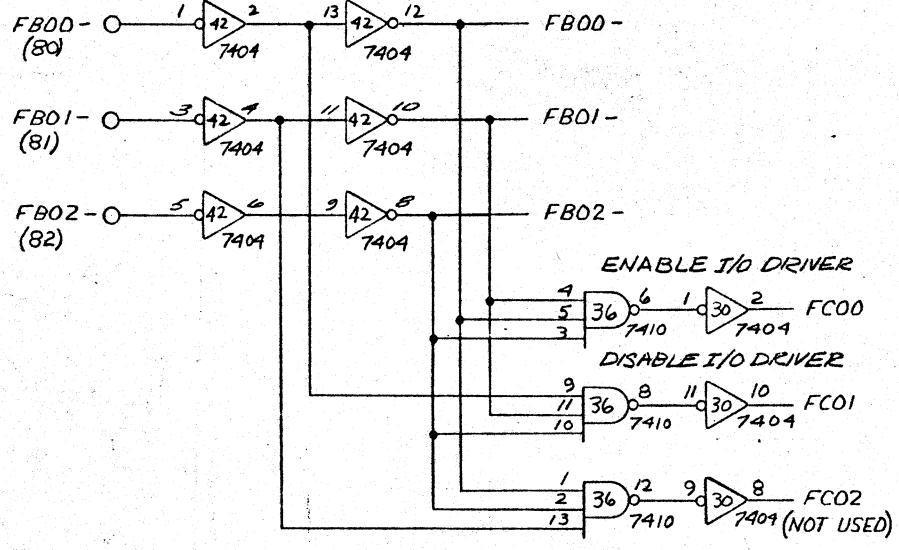


REVISIONS			
SYM	DESCRIPTION	DATE	APPROVAL
C1	DRAWINGS NOT AFFECTED	4/20/72	FS
C2	SEE EN53222-00-C2	7-7-72	
DO	INITIAL RELEASE	9-21-72	

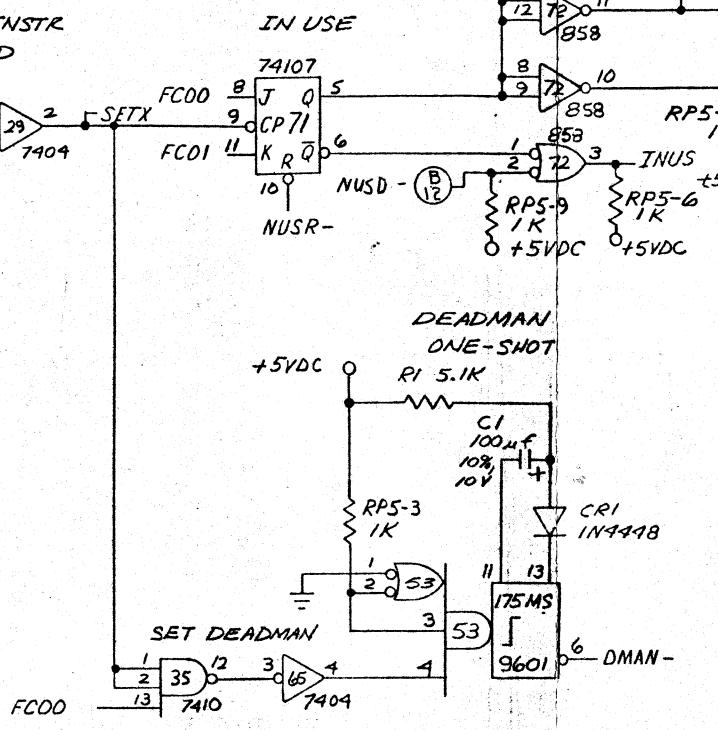
ADDRESS DECODER



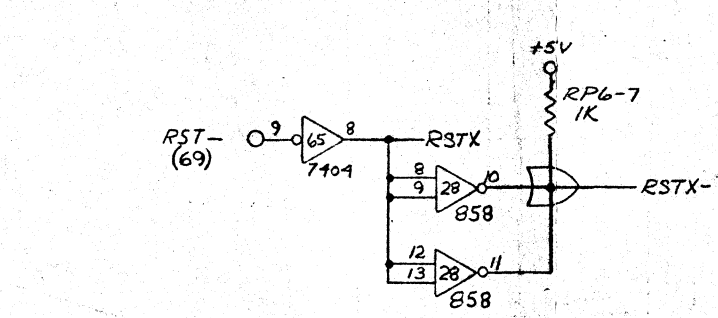
FUNCTION CODE DECODER



SELECT INSTR REC'D



DEADMAN ONE-SHOT



INPUT CONTROL BUS

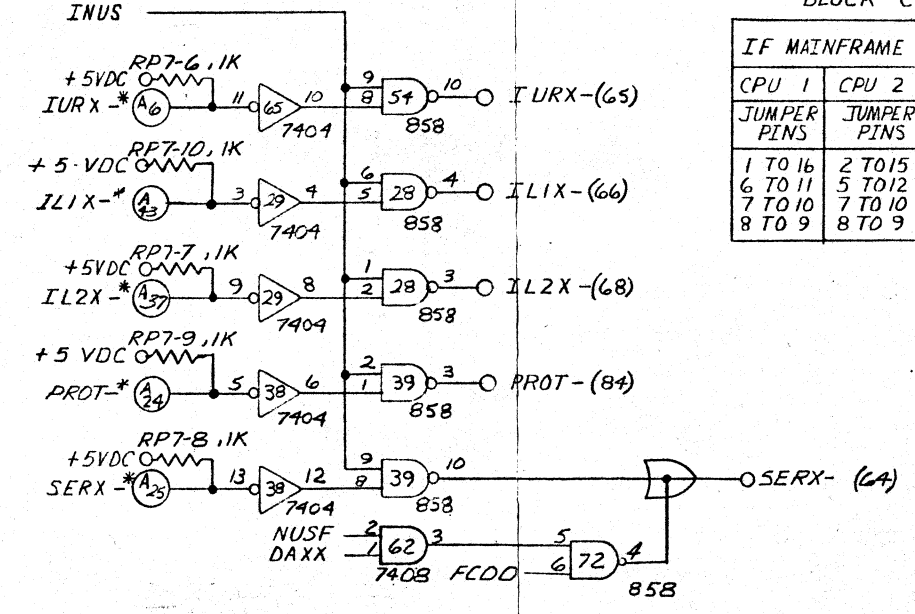
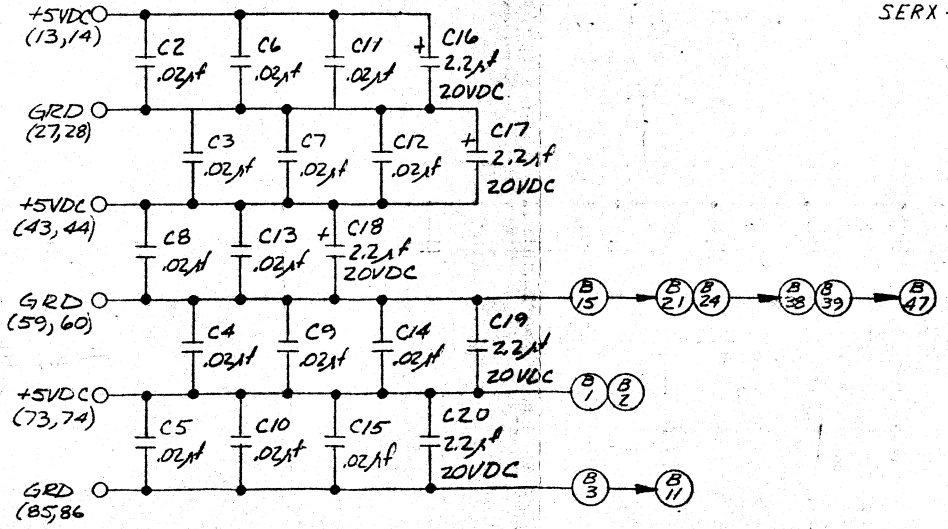


TABLE I. PERIPHERAL SHARING JUMPER BLOCK CONNECTIONS

IF MAINFRAME UNIT DESIG. IS:				
CPU 1	CPU 2	CPU 3	CPU 4	
JUMPER PINS	JUMPER PINS	JUMPER PINS	JUMPER PINS	
1 TO 16	2 TO 15	3 TO 14	4 TO 13	
6 TO 11	5 TO 12	5 TO 12	5 TO 12	
7 TO 10	7 TO 10	6 TO 11	6 TO 11	
8 TO 9	8 TO 9	8 TO 9	7 TO 10	



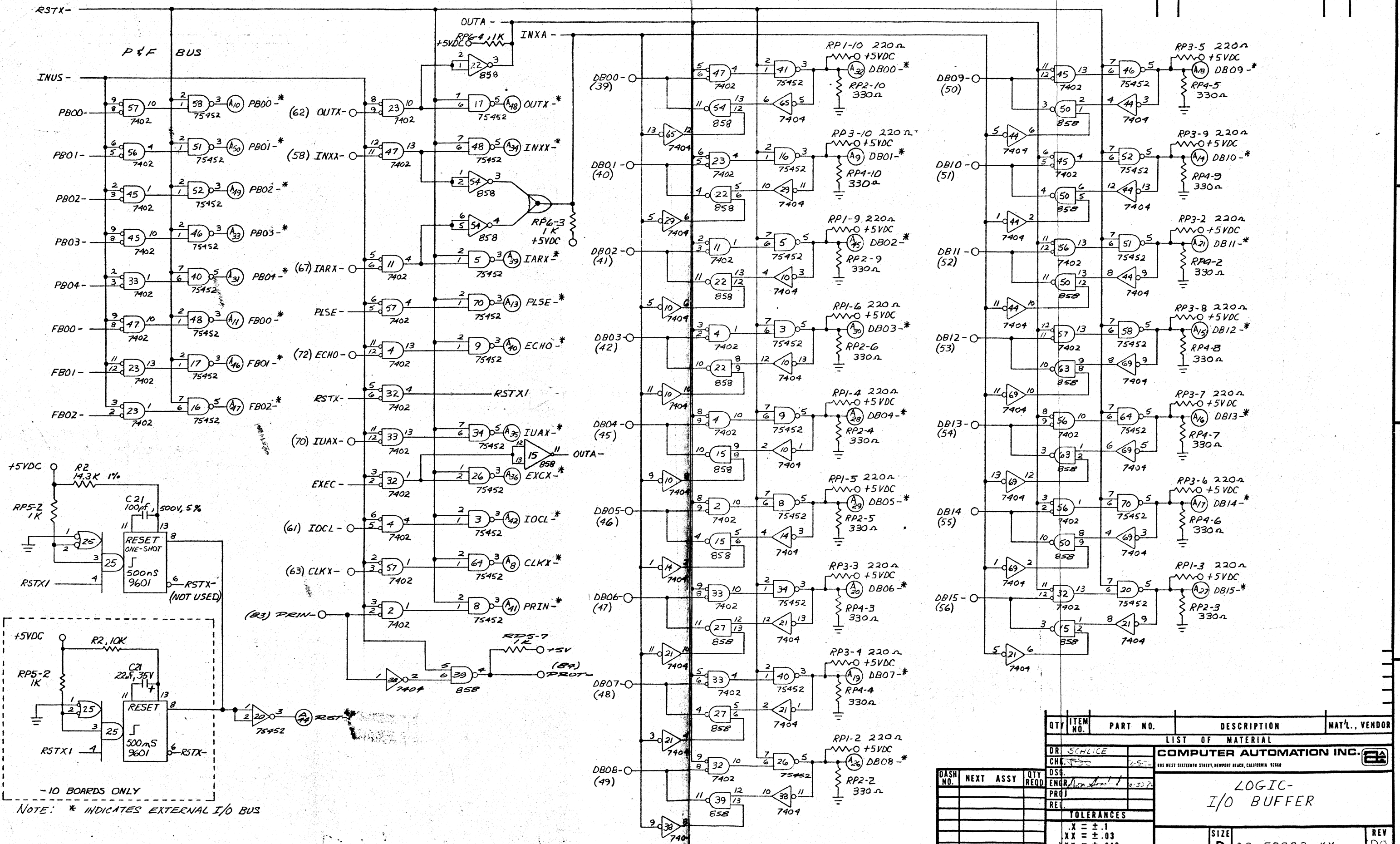
1. CAPACITORS: C2-C15 ARE .02µF @ 25V.
 2. ALL RESISTORS ARE 1/4W, 5%
 3. SEE DWG 00-53222-XX FOR ASSY DRAWING.
 NOTES: UNLESS OTHERWISE SPECIFIED.

QTY	ITEM NO.	PART NO.	DESCRIPTION	MAT'L. VENDOR
LIST OF MATERIAL				
COMPUTER AUTOMATION INC.				
LOGIC-I/O BUFFER				
TOLERANCES				REV
.X = ±.1				DO
.XX = ±.03				
.XXX = ±.010				
ALL HOLE DIAMETERS ARE AFTER PLATING				
SCALE =				SHT. 1 OF 2

OUTPUT CONTROL BUS

BI-DIRECTIONAL DATA BUS

REVISIONS			
SYM	DESCRIPTION	DATE	APPROVAL



QTY	ITEM NO.	PART NO.	DESCRIPTION	MAT'L. VENDOR
LIST OF MATERIAL				
DR. SCHLICE			COMPUTER AUTOMATION INC.	
CH. 150			805 WEST SIXTEENTH STREET, NEWPORT BEACH, CALIFORNIA 92660	
DSG. ENGR. / L. J. ...			LOGIC-I/O BUFFER	
PROJ. ...			TOLERANCES	
REV.X = ±.1 .XX = ±.03 .XXX = ±.010	
DASH NO.			ALL HOLE DIAMETERS ARE AFTER PLATING	
NEXT ASSY			SIZE D 00-52222-XX	
QTY REQD			SCALE = SHT. 2 OF 2	
REV			REV DO	

- 10 BOARDS ONLY
NOTE: * INDICATES EXTERNAL I/O BUS