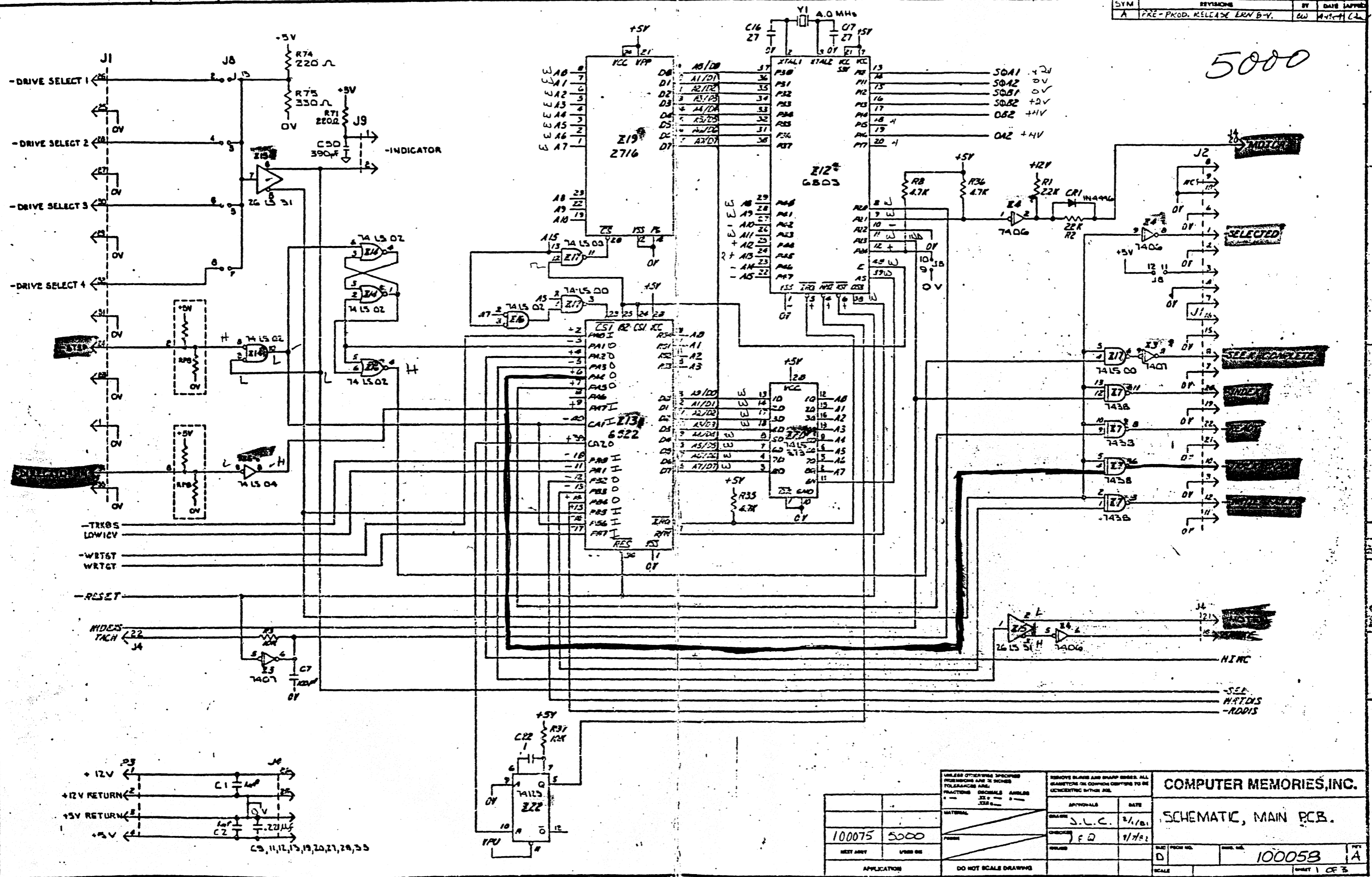


SYM	REVISIONS	BY	DATE APPROV
A	PRE-PROD. RELEASE ERN B-V.	EW	1/15/61

5000



UNLESS OTHERWISE SPECIFIED, DIMENSIONS ARE IN INCHES. TOLERANCES ARE: FRACTIONS DECIMALS ANGLES		REMOVE BURRS AND SHARP EDGES. ALL DIMENSIONS ON COMMON CENTER TO BE UNLESS OTHERWISE SPECIFIED.		COMPUTER MEMORIES, INC.	
MATERIAL		APPROVALS	DATE	SCHEMATIC, MAIN PCB.	
100075 5000		DRG	J.L.C. 2/1/61	PART NO. 100058	
NEXT REV. / REV. NO.		CHKD	F.D. 1/1/61	REV. A	
APPLICATION		DO NOT SCALE DRAWING		SCALE	
				PAGE 1 OF 3	

100058 A1

