
**CONTROL DATA®
94200
CORE MEMORY**

**GENERAL DESCRIPTION
APPLICATION SPECIFICATIONS
THEORY OF OPERATION
MAINTENANCE
DIAGRAMS
PARTS DATA**

CONTENTS

| | | |
|--|--|--|
| <p>1. GENERAL DESCRIPTION 1-1</p> <p>Introduction 1-1</p> <p>Functional Description 1-1</p> <p>Physical Description 1-1</p> <p>2. APPLICATION SPECIFICATIONS 2-1</p> <p>Power Requirements 2-1</p> <p>Cooling and Environmental Requirements 2-1</p> <p>Dimensions 2-1</p> <p>Interface Description 2-1</p> <p style="padding-left: 20px;">Logic Levels 2-1</p> <p style="padding-left: 20px;">Definitions 2-1</p> <p style="padding-left: 20px;">Input Signals 2-1</p> <p style="padding-left: 20px;">Output Signals 2-3</p> <p style="padding-left: 20px;">Options 2-4</p> <p style="padding-left: 20px;">Connector 2-4</p> <p style="padding-left: 20px;">Termination Requirements 2-4</p> <p style="padding-left: 20px;">Bidirectional Data Lines 2-4</p> <p style="padding-left: 20px;">Timing Diagrams 2-5</p> <p>3. THEORY OF OPERATION 3-1</p> <p>Introduction 3-1</p> <p>Module Select 3-1</p> <p>Address Register 3-1</p> <p>Timing and Byte Register 3-1</p> <p>Byte Control 3-1</p> <p style="padding-left: 20px;">Byte Transfers, 16K x 36-Bit Configuration 3-5</p> <p style="padding-left: 20px;">Full-Word Transfers, 16K x 18-Bit Configuration 3-5</p> <p style="padding-left: 20px;">Byte Transfer, 32K x 18-Bit Configuration 3-5</p> <p style="padding-left: 20px;">Full-Word Transfer, 32K x 18-Bit Configuration 3-5</p> | | <p>Data Buffer 3-5</p> <p>Current Regulator 3-5</p> <p>Current Source 3-5</p> <p>Bridge Switch 3-5</p> <p>X Read Switches and X Write Drivers, Y Read Drivers and Y Write Switches 3-5</p> <p>X Read Driver, X Write Switch, Y Write Driver, Y Read Switch 3-6</p> <p>Inhibit 3-6</p> <p>Sink Discharge 3-6</p> <p>Core Array 3-6</p> <p>Sense Amplifier and Data Register 3-8</p> <p>One-Bit Data Path 3-8</p> <p>4. MAINTENANCE 4-1</p> <p>Introduction 4-1</p> <p>Recommended Test Equipment 4-1</p> <p>Memory Tests 4-1</p> <p style="padding-left: 20px;">All Ones 4-1</p> <p style="padding-left: 20px;">All Zeros 4-1</p> <p style="padding-left: 20px;">Worst Pattern and Worst Pattern Complement 4-1</p> <p>Errors 4-1</p> <p style="padding-left: 20px;">Control Errors 4-1</p> <p style="padding-left: 20px;">Address Errors 4-1</p> <p style="padding-left: 20px;">Data Errors 4-2</p> <p>5. LOGIC AND COMPONENT LOCATION DIAGRAMS 5-1</p> <p>Memory Electronics Logic Diagrams 5-1</p> <p>Memory Electronics Component Locations 5-54</p> <p>Core Array Logic Diagrams 5-55</p> <p>Core Array Component Locations 5-69</p> <p>6. PARTS LIST 6-1</p> |
|--|--|--|

APPENDIXES

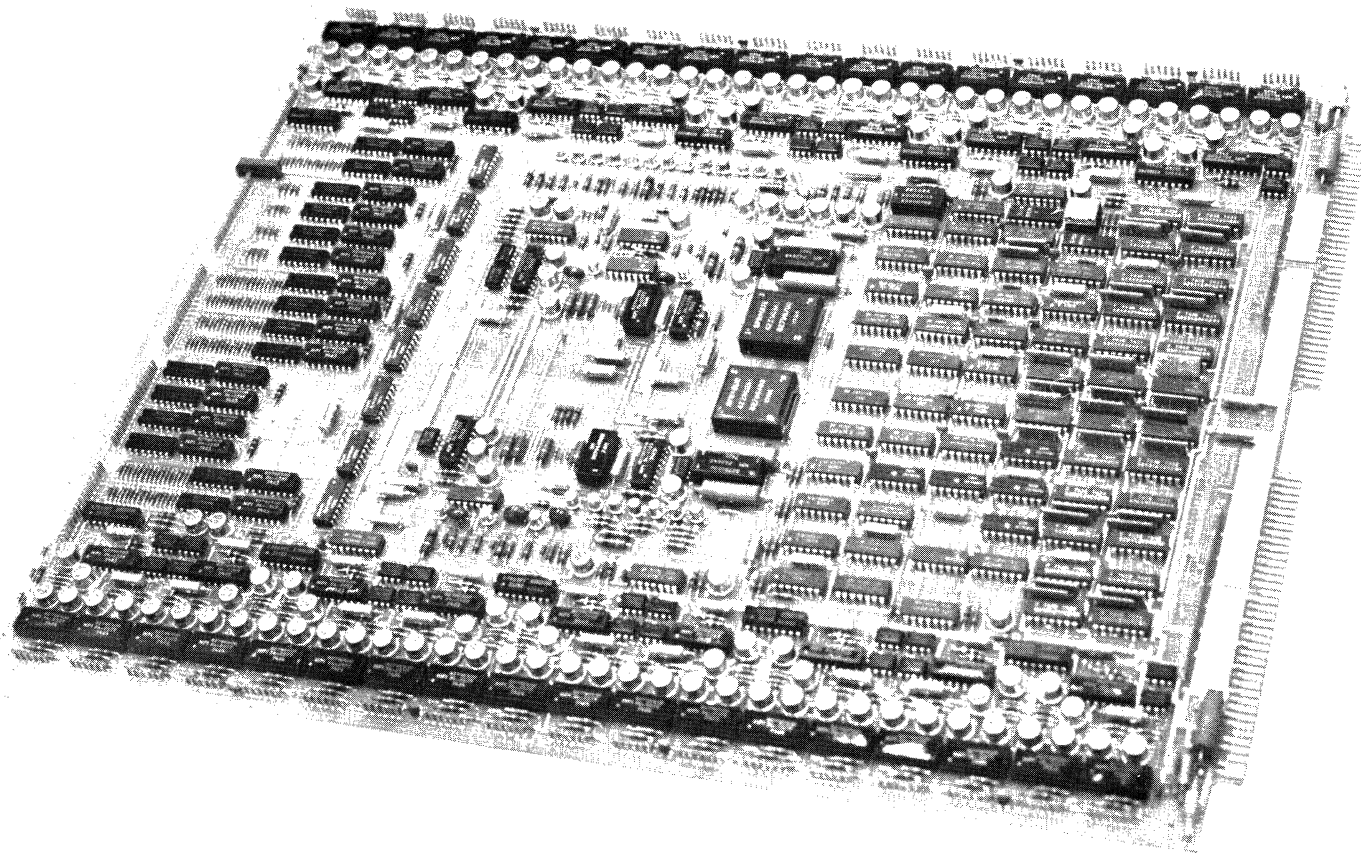
| | |
|--|--|
| <p>A. ALPHABETICAL LISTING OF MEMORY MODULE MNEMONICS</p> | <p>B. INTERFACE CONNECTOR CHART</p> |
|--|--|

FIGURES

| | | |
|---|--|---|
| <p>2-1 Module Dimensions 2-2</p> <p>2-2 Connection of Modules for External Current Control 2-4</p> <p>2-3 Current Regulator Circuit 2-5</p> <p>2-4 94200 Line Terminations 2-6</p> <p>2-5 Read Restore Timing 2-7</p> <p>2-6 Read Modify Write Timing 2-7</p> <p>2-7 Clear Write Timing (Word) 2-8</p> <p>2-8 Byte Write Timing 2-8</p> <p>3-1 Module Block Diagram 3-2</p> | | <p>3-2 Memory Cycle Timing, Read Portion 3-3</p> <p>3-3 Memory Cycle Timing, Write Portion 3-4</p> <p>3-4 Core Drive Circuits 3-7</p> <p>3-5 X and Y Line Selection Example 3-8</p> <p>3-6 Bit 2 Data Path 3-9</p> <p>4-1 Control Errors 4-2</p> <p>4-2 Address Errors 4-3</p> <p>4-3 Data Errors 4-5</p> |
|---|--|---|

TABLES

| | | |
|---|--|--|
| <p>3-1 Address and Drive Current Relationship 3-6</p> | | <p>4-1 Relationship of Address Bits, Circuits, and Logic Diagram 4-4</p> |
|---|--|--|



THE 94200 CORE MEMORY MODULE

INTRODUCTION

The CONTROL DATA® 94200 Core Memory Module is a coincident current, magnetic core memory intended for use by original equipment manufacturers.

FUNCTIONAL DESCRIPTION

The 94200 memory module as shipped has a capacity of 16,384 36-bit words. However, the configuration can be changed to 32,768 18-bit words by external wiring changes. Minimum core cycle time is 850 nanoseconds. Up to eight modules may be used in one system.

The 94200 memory module has two basic operating modes called full cycle and split cycle. The module performs three operations in the full cycle mode. These operations are read restore, clear write, and byte control. During a read restore operation, data words are read out of the memory and restored back into memory without modification. A clear write operation writes data words into memory replacing any information in the memory. Nine bits of data can also read out or write into memory. The remaining bytes in the location recirculate during a byte write operation.

In the split cycle mode, the memory does a read-modify-write operation. This means that data is read from memory during the read portion of a

cycle, and new data is written into memory during the write portion of a cycle. The write portion of the cycle does not occur until an external signal starts it.

The system with which the 94200 memory module is used must supply data, addresses, and control signals.

PHYSICAL DESCRIPTION

The 94200 memory module consists of two 17-3/4 inch by 13-7/8 inch (45 by 35.2 centimeters) fiberglass printed circuit (PC) cards held together by screws and spacers. The module is 1 inch (2.54 centimeters) thick. The core memory occupies the area between the PC cards, and semiconductor and passive components fasten to the outside of the PC cards. Connectors molded into the PC cards provide circuit continuity between the cards. An 80-pin connector provides data, address, and control signals and power to the module. Maximum weight of the module is 6 pounds.

The logic is TTL in dual in-line packages. Voltages required are +5 volts, +15 volts, and -15 volts. Nominal power consumption is 120 watts operating and 35 watts standby. Forced-air cooling is required.

POWER REQUIREMENTS

| Voltages: | Standby current: | Operating current: |
|--------------------|-------------------------------|-------------------------------|
| +15 volts | 0.12 ampere | 0.75 ampere |
| +5 volts | 4.5 amperes (5.1 amperes)† | 6.4 amperes (7.0 amperes)† |
| -15 volts | 0.55 ampere | 6.5 amperes |
| Voltage regulation | ± 2 percent | |
| Voltage margins | ± 5 percent of nominal | |

COOLING AND ENVIRONMENTAL REQUIREMENTS**Cooling:**

Forced air at a minimum of 40 cubic feet/minute

Operating temperature range:

0° C to 55° C

Nonoperating temperature range:

-40° C to 80° C

Operating humidity:

10 percent to 90 percent without condensation

DIMENSIONS

Figure 2-1 illustrates the module dimensions.

INTERFACE DESCRIPTION**LOGIC LEVELS****Logic 1 (high) in/out of memory:**

+2.4 vdc to +5.5 vdc

Logic 0 (low) into memory:

0 vdc to 0.8 vdc

Logic 0 (low) out of memory:

0 vdc to 0.5 vdc

†Includes terminating resistor.

DEFINITIONS**Access Time:**

The time between the appearance of the cycle initiate signal at the input terminals of the memory and the data signals being available at the output terminals of the memory. Maximum access time is 350 nanoseconds.

Byte:

A group of 9 data bits.

Cycle Time:

The time between memory request signals.

Full Cycle Clear Write:

The clear-write operation clears data at a specified address and writes new data present on the data in lines into the address.

Full Cycle Read-Restore:

The read-restore operation reads data from a specified address, puts the data on the data out lines, and restores the data into the same address.

Full Cycle Time:

The maximum time required to do a clear-write or read-restore into memory. Minimum full cycle time is 850 nanoseconds.

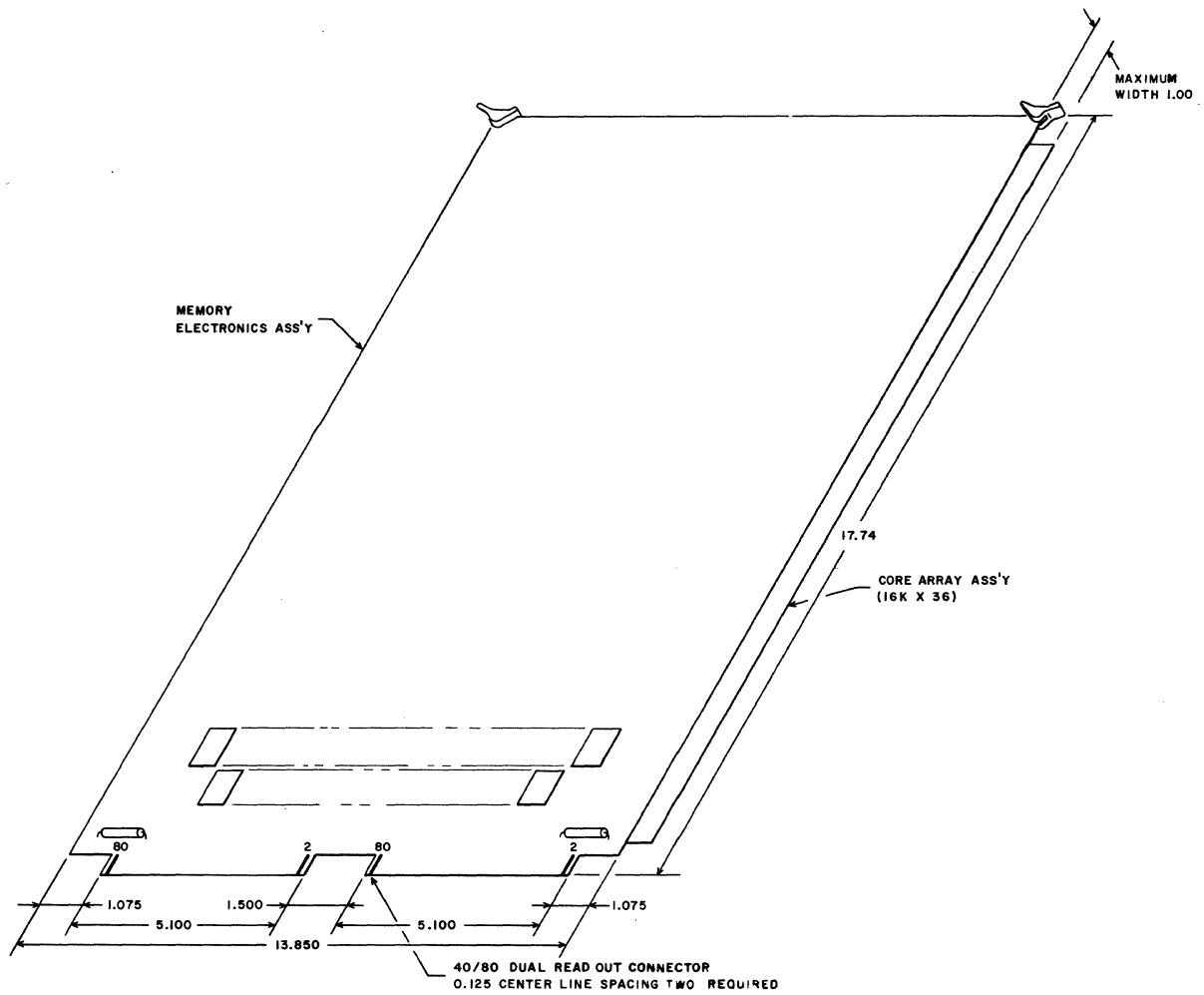
Read-Modify-Write:

The read-modify-write operation provides modify time after the read portion of the memory cycle completes. The read portion of the memory cycle reads data from a specified address and puts the data on the data out lines. The module then remains quiescent until a write initiate input signal starts the write portion of the memory cycle. New data or the data read from memory is written into the specified address depending on the byte control inputs. Minimum split cycle time is 900 nanoseconds.

INPUT SIGNALS

The leading edge of the cycle initiate signal is defined as being t_0 in the following input signal description. All timing measurements are made at the 1.5-volt level of the signal transition.

The load driving requirements indicated below are standard TTL loads and do not include termination load.



- NOTES:
1. DIGITAL STACK MODULE MOUNTS ON 1.125 CENTERS.
 2. ALL DIMENSIONS IN INCHES.

Figure 2-1. Module Dimensions

Address Lines (AD00 through AD13):

These lines select one of 16,384 36-bit word locations in memory. The leading edge of the address signal must be stable for a minimum of 100 nanoseconds after the leading edge of the \overline{CI} signal. There are 14 address lines. Each address line drives one load.

Byte Control ($\overline{B0}$ through $\overline{B3}$):

These lines make possible transfers of 9-bit bytes of data. One or more of these lines being low causes corresponding bytes of data to write into memory upon receiving the cycle initiate (\overline{CI}) signal. If one or more of these lines is high, 9-bit bytes of data read out of memory upon receiving the \overline{CI} signal. If full word transfers are desired, these inputs should be left open and the word write (\overline{WW}) input used. The byte control signals each drive one load. Refer to the byte timing description in the options subsection.

Cycle Initiate (\overline{CI}):

This signal going low initiates a memory cycle. The leading edge of this signal is defined as t_0 . The signal must remain low for 100 nanoseconds and may remain low to a maximum of t_0 to 750 nanoseconds. The cycle initiate signal drives one load.

Data In (DI00 through DI35):

These lines transmit data into memory. Data must be stable to t_0 plus 150 nanoseconds during clear write cycles. During split cycles, data must be stable at the leading edge of write initiate (\overline{WI}) and remain for 150 nanoseconds. Each data in line drives one load when the memory is wired for 36-bit words and 16,384 locations. If the memory is wired for 18-bit words and 32,768 locations, each data in line drives two loads.

Data Save (DS):

This line must be high for the memory to operate. Data save should be low during power up and power down to retain data. A memory cycle will not start if the data save signal goes low before \overline{CI} . If data save goes low during a memory cycle, that cycle completes, and the next cycle does not occur. The data save signal drives three loads.

Module Select (AD14 through AD16):

These inputs provide addressing which allows a system to reference up to eight memory modules. Each module has a manual switch in a dual in-line package. This switch is set to decode an address assigned to the module. Each line drives one load. In single module applications, the switch must be closed and inputs AD14, AD15, and AD16 left open.

Reset:

This signal being negative for 100 nanoseconds resets the memory logic if it is not cycling. This signal is only used if an illegal signal condition has caused the memory logic to hang up. Reset drives three loads.

Word Write (\overline{WW}):

This signal allows full word data transfers. A read restore operation occurs when word write is high. If word write is low, a clear write operation occurs. If data transfer in 9-bit bytes is desired, the word write input should be left open and the byte control inputs used. Word write drives one load.

Write Initiate (\overline{WI}):

This signal initiates the write portion of a read modify write operation. Write initiate may go negative at t_0 plus 450 nanoseconds or later, and remain for a minimum of 100 nanoseconds and maximum of 400 nanoseconds. The read portion of the cycle is complete at t_0 plus 450 nanoseconds. The write portion of memory requires 450 nanoseconds to complete. A read-modify-write operation requires a minimum of 900 nanoseconds when write initiate occurs at 450 nanoseconds. Write initiate drives one load.

OUTPUT SIGNALS

The leading edge of the cycle initiate signal (an input signal) is defined as being t_0 in the output signal descriptions that follow. All timing measurements are made at the 1.5 volts level of the signal transition.

Data Available (\overline{DA}):

This signal going low indicates that data from memory is available when any one byte is in a read restore or read modify write cycle. This signal occurs at t_0 plus 350 nanoseconds and remains until t_0 plus 450 nanoseconds.

Data Out (D000 Through D035):

Data read from memory is available at the data out pins of the interface connector 350 nanoseconds after t_0 and remains until t_0 plus 800 nanoseconds for full cycle operation. For a read-modify-write, data is available 350 nanoseconds after t_0 and remains until approximately 30 nanoseconds after write initiate. There are 36 data out pins.

End of Cycle (\overline{EC}):

This going low signal indicates the memory cycle is complete. This signal occurs at t_0 plus 800 nanoseconds and remains until t_0 plus 880 nanoseconds.

End of Read (\overline{ER}):

This signal going low indicates the read portion of the memory cycle is complete. This signal occurs at t_0 plus 450 nanoseconds and remains until t_0 plus 500 nanoseconds.

Memory Busy (\overline{MB}):

This signal being low indicates that a memory cycle is occurring. This signal occurs at t_0 plus 90 nanoseconds and remains until t_0 plus 800 nanoseconds.

OPTIONS

Byte Control Timing (BCT):

Grounding or leaving this input open allows adjustment of the timing of the byte control signals for read modify write operations. If J46-77 is grounded, the byte write control signal must occur at t_0 and remain stable for 100 nanoseconds. If J46-77 is open, the byte control signal must occur at write initiate time in the write portion of the cycle and remain stable for 100 nanoseconds. Refer to the byte control description in the input signals subsection.

Clear Data Out ($\overline{\text{CDO}}$):

This input allows an external signal to clear the data out lines. The signal should occur between t_0 plus 450 (data out lines active for 100 nanoseconds) and t_0 plus 800 nanoseconds. If this input is open, the data out signals operate as described in the output signals subsection.

External Current Control (ECC):

An external current regulator can provide bias current for a multimodule system. To operate the modules this way, remove jumper -1 and jumper -2 (shown on logic sheet 22) from each module. Connector pins J46-11 and J46-12 must then supply the bias current. Figure 2-2 shows how to connect the modules. Figure 2-3 shows a circuit for a regulator which can be used as an external current supply.

Late Data Timing (LDT):

Grounding this input allows the data in signals to be delayed. If J46-6 is grounded, data in must be present from t_0 plus 200 nanoseconds to t_0 plus 350 nanoseconds. If J46-6 is open, data in must be present from t_0 to t_0 plus 150 nanoseconds.

16K to 32K Capacity Option:

The memory configuration can be changed to 32,768 18-bit words by the following modifications.

- Grounding input J47-58.
- Providing address bit AD17 which is address 14. Module select addresses move to AD15-16-17. Refer to logic sheet 18.
- Connect the data inputs as indicated on page 5-1 of the logic diagrams. That is, connect J47-21 to J47-29, J47-23 to J47-49, and so forth.

CONNECTOR

The module plugs into dual edgeboard wire wrap connectors of 80 pins each. The pins are on 0.125 inch centers. The CDC part number is VPB01C40B00A1. A vendor part number is Amphenol 67878-7.

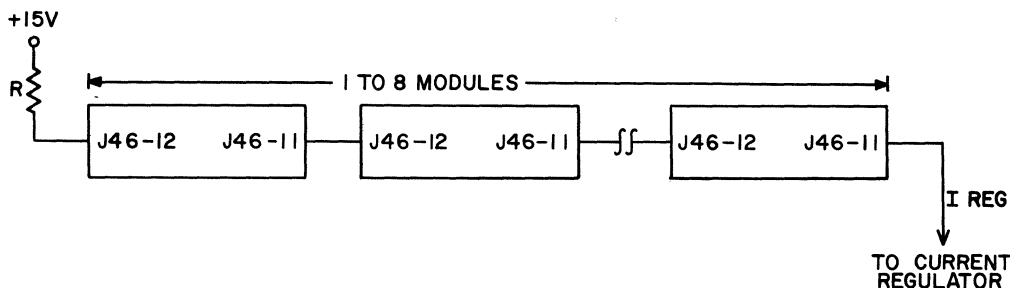
TERMINATION REQUIREMENTS

The inputs to the 94200 memory must have the proper termination resistors. Similarly, the inputs to the external equipment must be properly terminated. Refer to figure 2-4. The 94200 memory is available with or without terminators. Modules without terminators can be connected in parallel, and terminated using terminators located on the backpanel.

BIDIRECTIONAL DATA LINES

Tying the interface connector inputs and outputs together allows the use of one data input/output line per bit. To do this, the output drivers must be able to drive two termination networks (refer to figure 2-4). The 94200 output drivers can drive two termination networks.

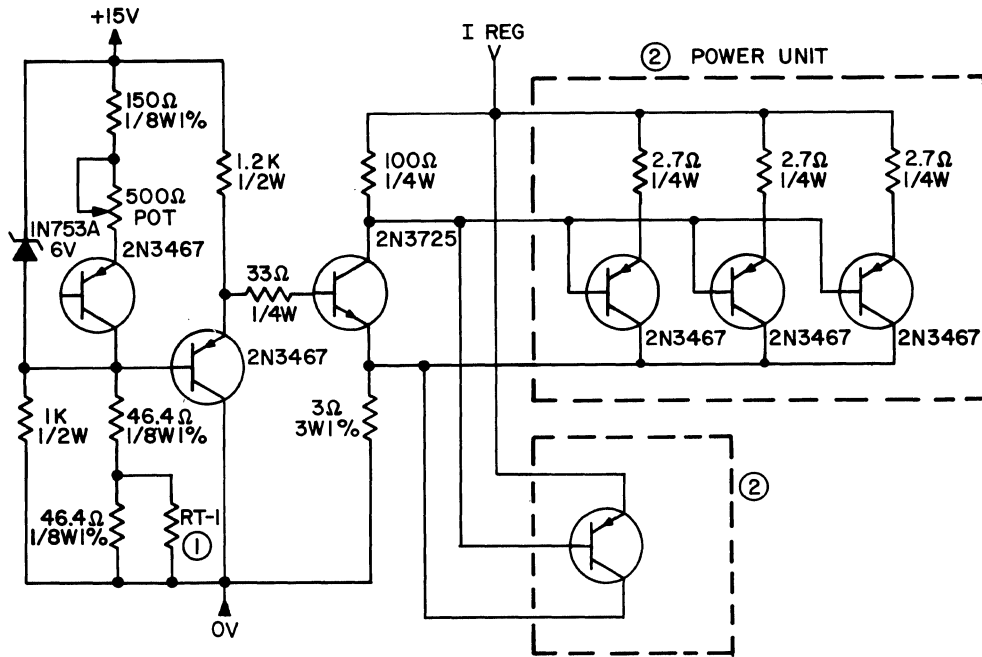
Operation with bidirectional data lines in read modify write mode can cause reflections to occur on the data lines. This happens if the 94200 output drive and the external input drive are on simultaneously (beginning of write initiate). When the memory driver turns off,



NOTE:

FOR 1 TO 2 MODULES R MUST BE 24.0Ω, 6 WATTS.
FOR 3 TO 4 MODULES R MUST BE 18.0Ω, 5 WATTS.
FOR 5 TO 6 MODULES R MUST BE 12.0Ω, 4 WATTS.
FOR 7 TO 8 MODULES R MUST BE 6.0Ω, 3 WATTS.

Figure 2-2. Connection of Modules for External Current Control



NOTES:

- ① RT-1 IS A THERMISTOR WHICH IS 100Ω AT 25°C. POSSIBLE THERMISTOR VENDORS ARE NATIONAL LEAD INC. 2D204 OR RODAN 2BD100.
- ② THE POWER UNIT CAN CONSIST OF A NUMBER OF TRANSISTORS OR ONE POWER TRANSISTOR. THE POWER REQUIRED IS 2.5 WATTS MAXIMUM.

Figure 2-3. Current Regulator Circuit

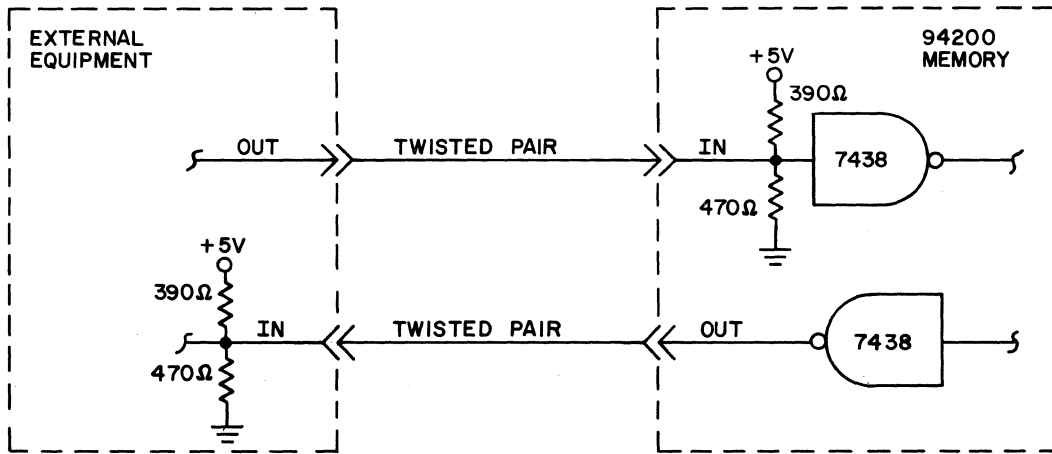
a positive reflection occurs which could cause the memory to malfunction. The amplitude and duration of the reflection depend on the length of the data line.

There are two ways to eliminate the reflections. One way is to apply a negative pulse to the clear data out input 50 nanoseconds before write initiate. This clears the memory drivers before new data appears on the lines. Another way to eliminate the

reflections is to connect the end of read output signal to the clear data out input. This causes data to be on the line from t_0 plus 350 nanoseconds to t_0 plus 500 nanoseconds.

TIMING DIAGRAMS

Timing diagrams for read restore, read-modify-write, clear write, and byte write operations are at the end of this section.



Notes:

1. The 94200-00 does not have input termination resistors.
2. The 94200-01 has input termination resistors.
3. The twisted pair lines should be a maximum of 10 feet long.
4. Control Data can supply plug-in terminator resistors.
5. The 7438 drivers can sink 48 ma.

Figure 2-4. 94200 Line Terminations

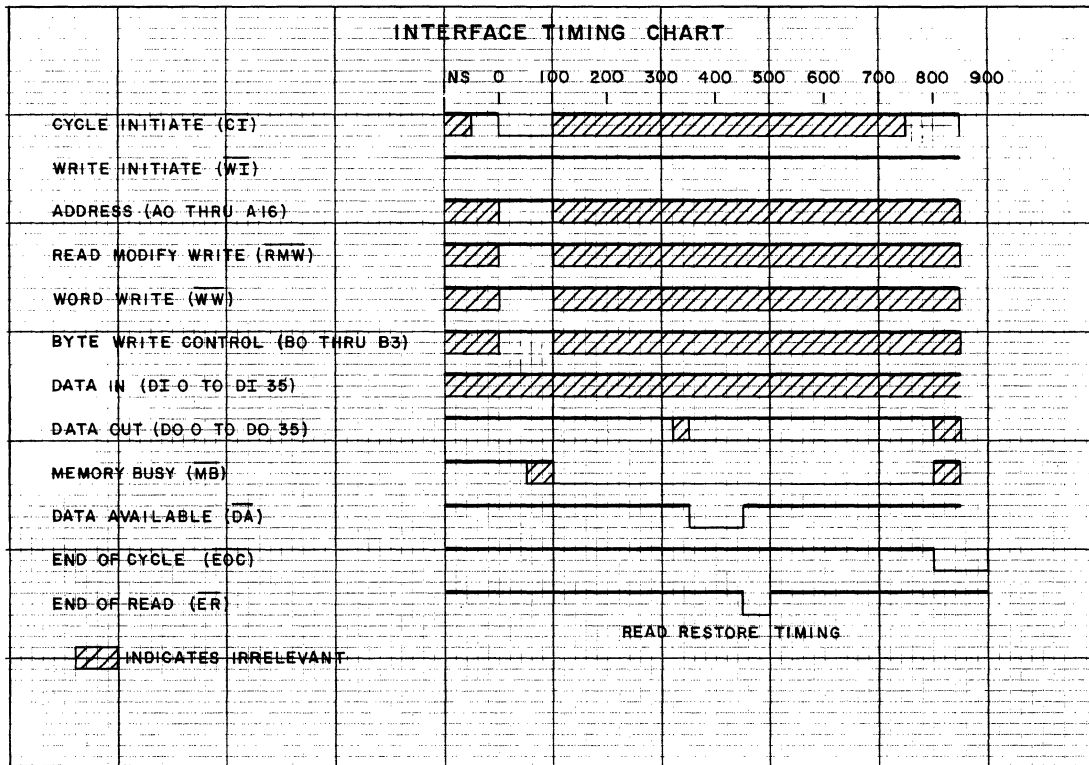


Figure 2-5. Read Restore Timing

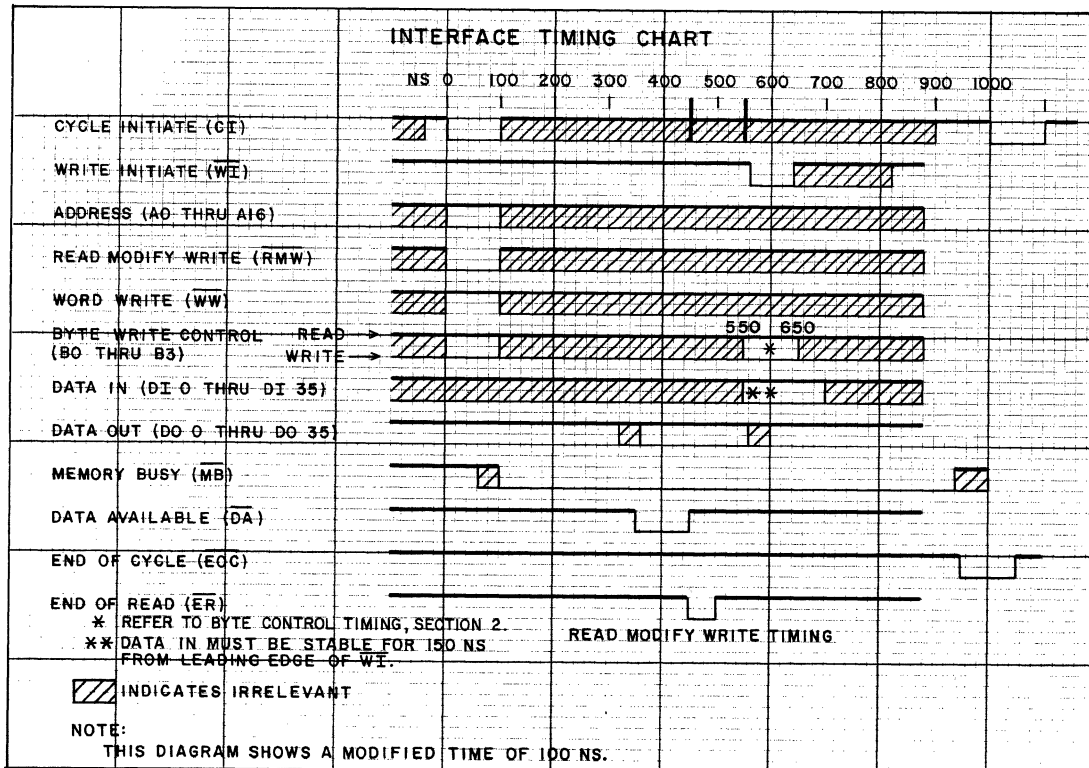


Figure 2-6. Read Modify Write Timing

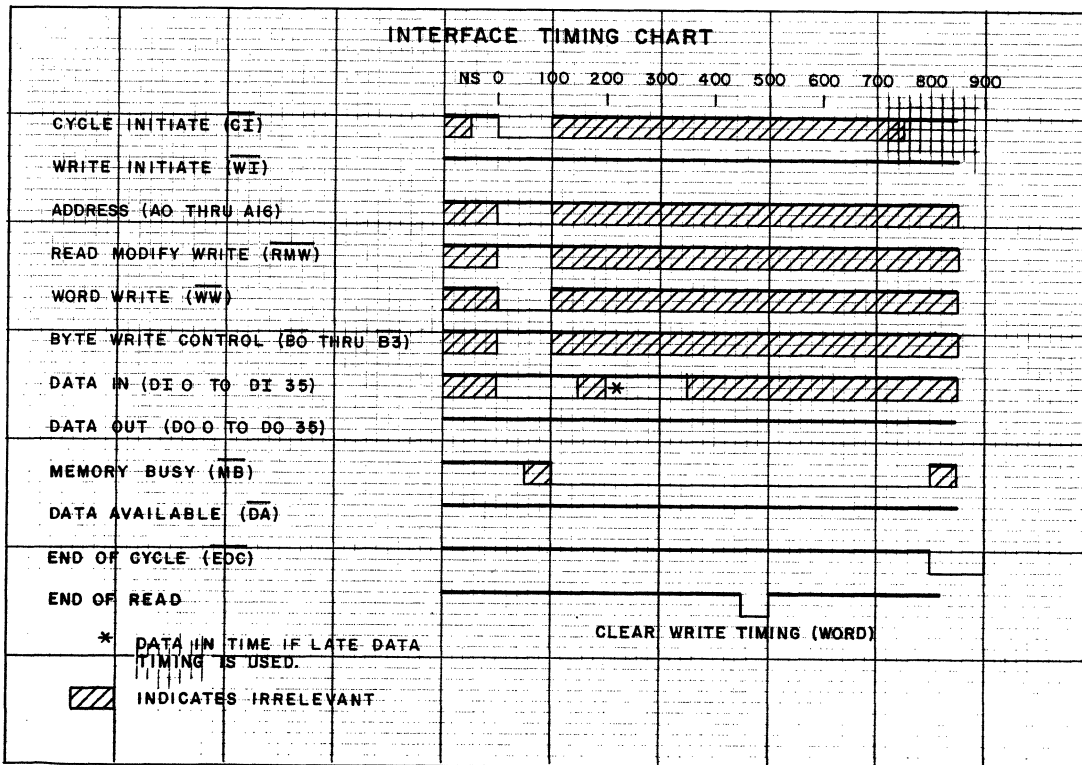


Figure 2-7. Clear Write Timing (Word)

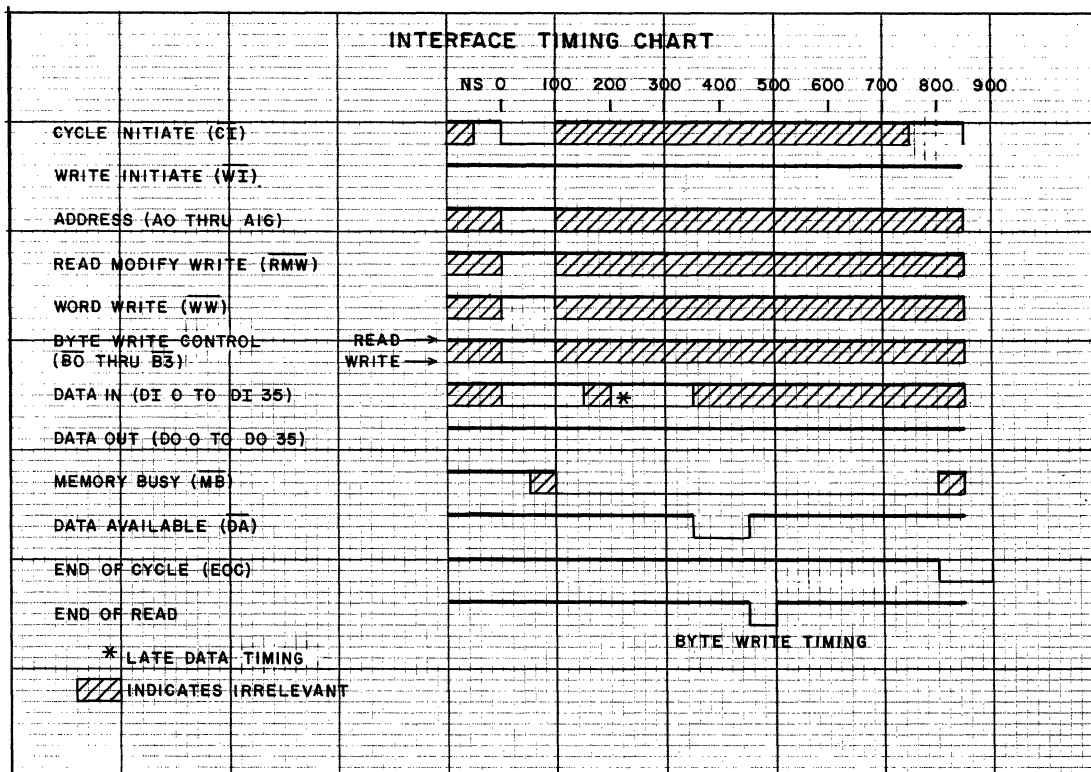


Figure 2-8. Byte Write Timing

INTRODUCTION

The 94200 memory module is a 3-D, 3-wire, random access core memory module with a common sense/inhibit line. The module contains timing, control, inhibit, and core drive circuits as well as data and address registers. Figure 3-1 shows a block diagram of the module.

MODULE SELECT

Module select decodes an address from the external equipment which specifies one module in a system that contains more than one module. A manual switch in a dual in-line package on each module must be set to decode the module address. In a single module application, the switch must be set closed and address inputs AD14, AD15, and AD16 left open. Logic page 5-21 shows the module select circuit.

ADDRESS REGISTER

The external equipment supplies information that determines at which location within the module an operation will take place. The address register stores this information and distributes it to the module select, core driver, byte control, and timing circuits. Address registers are shown on logic pages 5-18 through 5-20. The 74S157 chips compose the address register. When the hold input signal is low, the register gate is open. When hold goes high, the register latches.

TIMING AND BYTE REGISTER

The external equipment supplies control information that determines which operation the module performs. The cycle initiate input signal starts a read sequencer circuit. This circuit generates a sequence of signals that times the read portion of the memory cycle. When the read sequencer stops, a write sequencer starts to generate timing signals for the write portion of the memory cycle for a full cycle operation. During split cycle operations, the read sequencer completes the read portion of memory cycle and waits for a write initiate input signal to start the write sequencer. Both the read and write portion of a memory cycle occur during full and split cycle operations.

The timing diagrams (figures 3-2 and 3-3) show the read and write sequencer signals for one memory cycle. Other signals derive from the read and write sequencer signals through logical AND and OR functions. These signals cause the current source, sink discharge, core drive, and inhibit drive circuits to function at the proper times during a memory cycle. An explanation of the timing control logic on page 5-3 follows.

Output 8 of the gate at location Z106 and the delay line form a clock circuit. A factory-installed jumper from one of the delay line taps to input 13 of the gate completes the feedback loop. The clock period is 30 nanoseconds on and 30 nanoseconds off.

During a full cycle operation, inputs \overline{WI} (write initiate) and \overline{MRMW} (read modify write) are high. Input \overline{clear} only goes low during power up or if the +15 volt and -15 volt power supplies malfunction. Input \overline{DS} (data save) is high except at power up and power down. Inputs QT-12 and QT-24 are low at the start of a memory cycle while inputs QT-13 and HOLD are high.

Input \overline{CI} (cycle initiate) going low starts a memory cycle. Input MS (module select) goes high after the module select addressing is stable. Output \overline{RCLR} then goes low setting the RST flip-flop and RST (Z95-8) output high which enables the read sequencer logic on page 5-4. Output \overline{RCLR} going low causes output 6 of the gate at location Z106 to go high. The clock begins to oscillate and drives the sequencer logic.

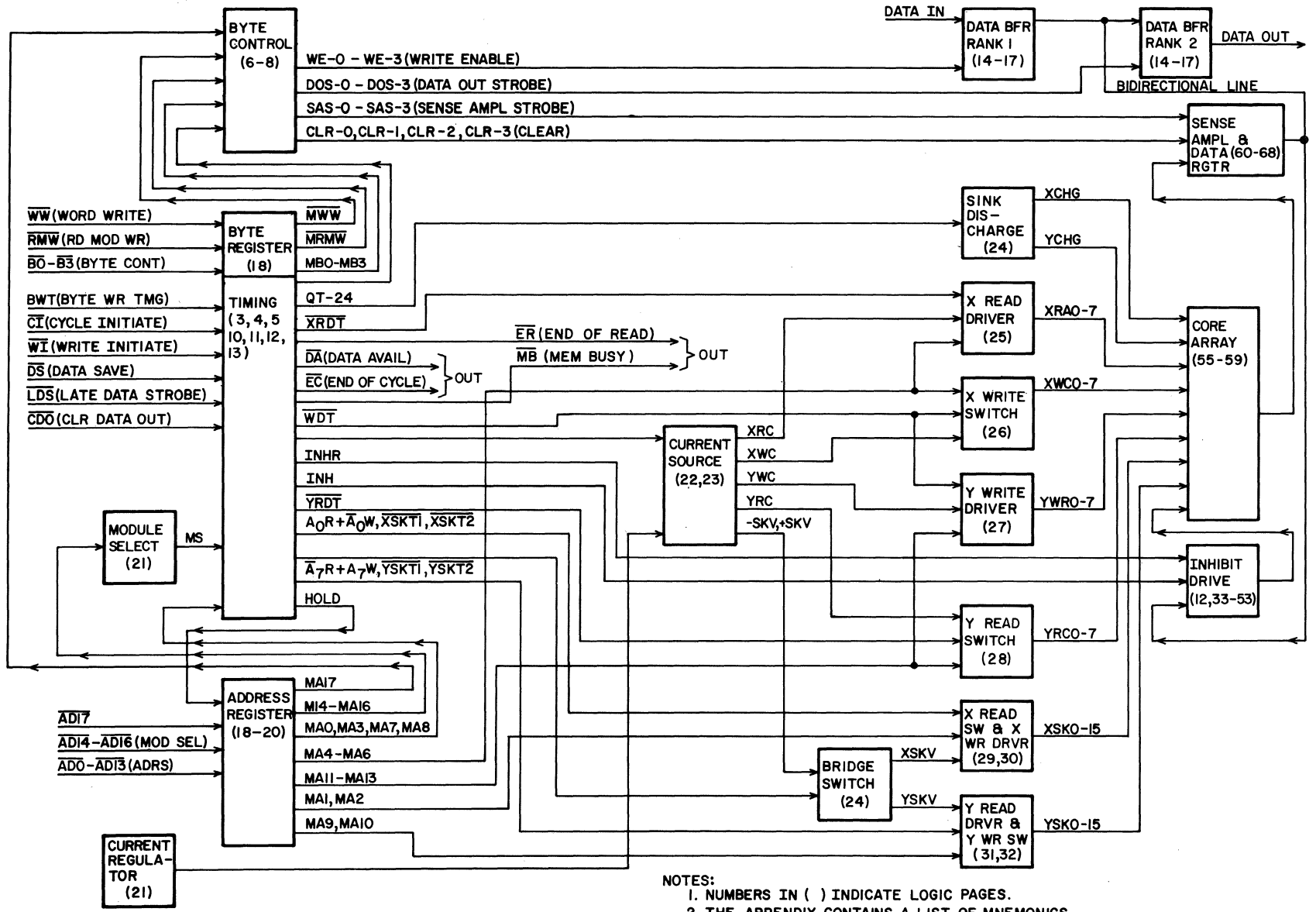
The RST flip-flop being set causes pin 2 of Z106 to go low. This holds inputs 9, 10, and 12 of the gate at location Z106 high enabling the clock (CPM) to operate. \overline{HOLD} then goes low driving input 9 of the gate at location Z96 low for the duration of the memory cycle. This prevents any change at the \overline{CI} input from affecting the cycle.

At the end of the read portion of the cycle, input QT-12 goes high causing output 8 of the flip-flop at location Z89 to go low. This resets the flip-flop which generates output RST, and the read sequencer inhibits. Z89-9 going high causes outputs WST-1 and WST-2 to go high and output \overline{ER} (end of read) to go low. WST-2 going high enables the write sequencer logic. At the end of the write portion of the cycle, input QT24 goes high and Z89-6 goes low resetting WST-1 and WST-2. This stops the clock. QT-24 resets the hold flip-flop allowing another \overline{CI} input signal to start a new memory cycle.

During a split cycle operation, input \overline{MRMW} is low. This means that output 6 of the gate at location Z95 is always high. Consequently, input \overline{WI} must go low to start the write portion of the memory cycle. Input \overline{WINH} prevents \overline{WI} from starting the write portion of the cycle if the read portion has not occurred.

BYTE CONTROL

The byte control logic combines external control signals and internal timing signals to generate data control signals. These signals cause the data buffer, sense amplifier, and data register to function at the proper times during a memory cycle. The byte control logic also determines from external control signals whether full words or 9-bit bytes transfer into or out of memory.



NOTES:
 1. NUMBERS IN () INDICATE LOGIC PAGES.
 2. THE APPENDIX CONTAINS A LIST OF MNEMONICS.

Figure 3-1. Module Block Diagram

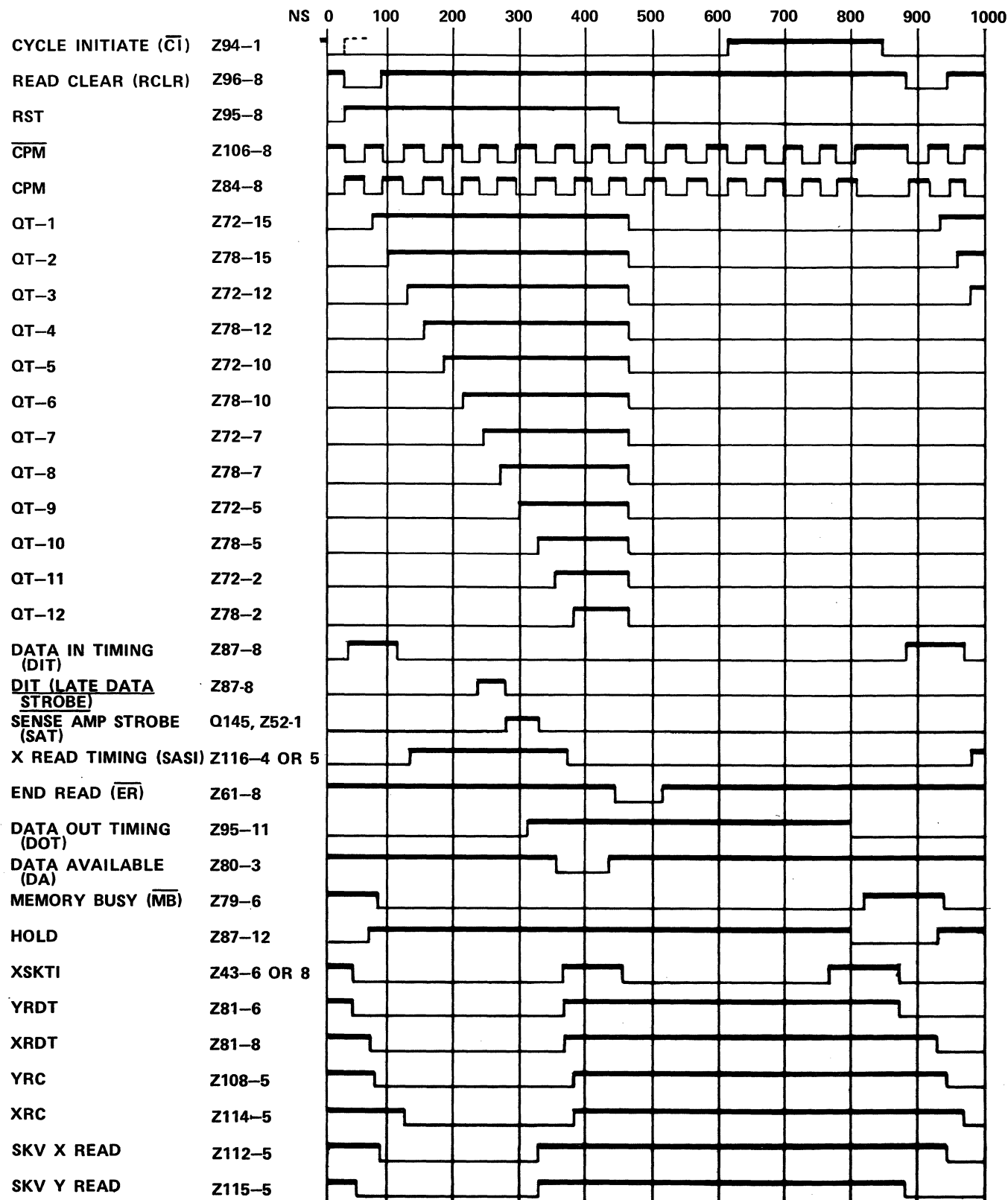


Figure 3-2. Memory Cycle Timing, Read Portion

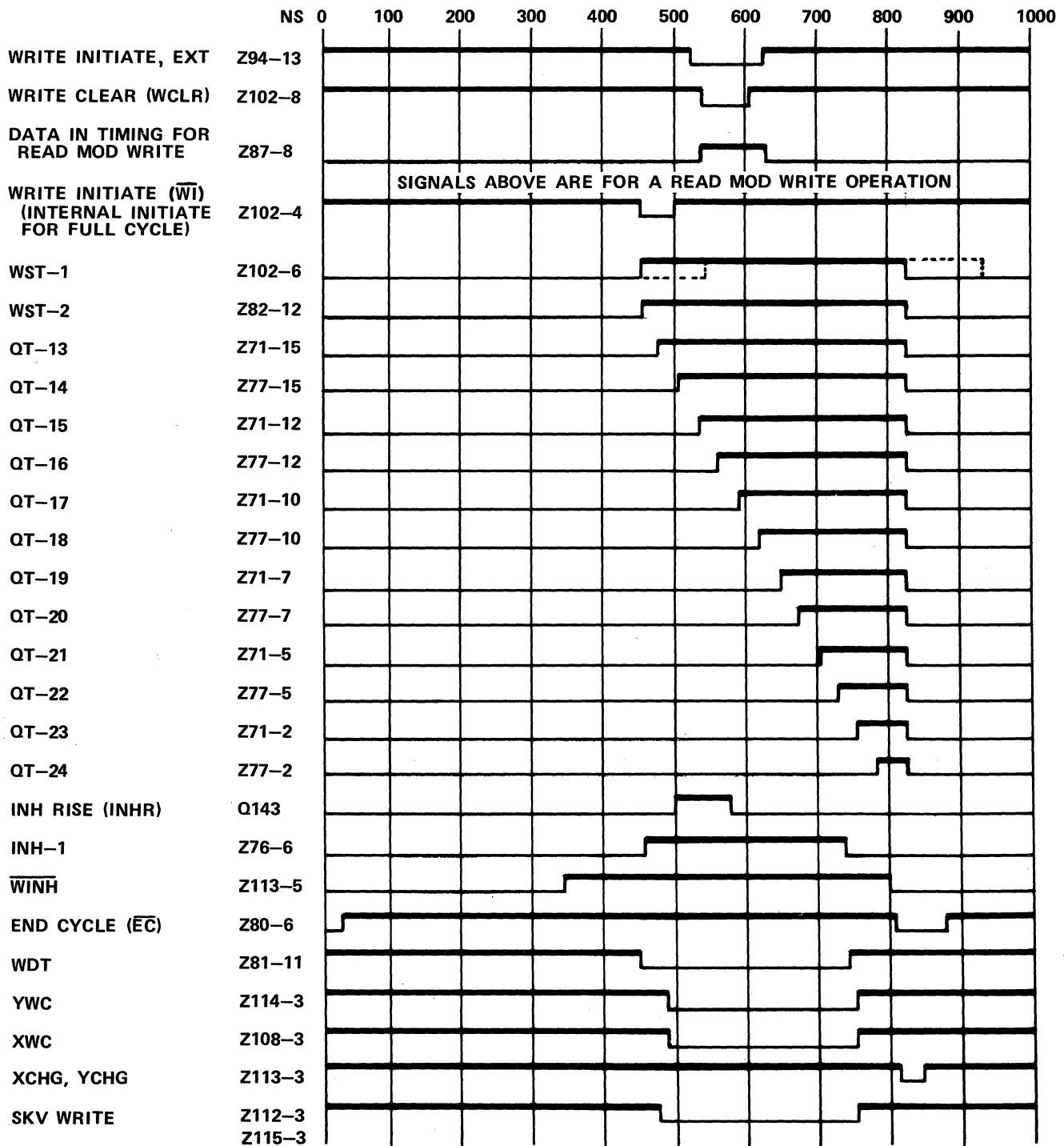


Figure 3-3. Memory Cycle Timing, Write Portion

Descriptions of the byte control logic during various operations follow.

BYTE TRANSFERS, 16K x 36-BIT CONFIGURATION

The memory is divided into four 9-bit bytes, MB-0 through MB-3 (refer to logic page 5-18). The 74S157 chip at location Z75 stores the four bits of byte information. When a byte input is high, the module performs a read-restore operation. A low byte input causes a clear-write function to occur. The byte register latches at 80 nanoseconds after the cycle initiate signal appears and remains latched until 800 nanoseconds into the cycle.

When the module is in the 16K x 36-bit configuration, the A inputs of the 74S157 at location Z47 on logic page 5-6 are selected. For a read-restore operation, MB-0 through MB-3 are high and \overline{MWW} is high (\overline{WW} input is open). Outputs WR-0 through WR-3 are then low. This holds the write enable gates (WE-0 through WE-3) off and enables the sense amplifier strobes (SAS-0 through SAS-3). When MB-0 through MB-3 are low (clear-write operation), the WR-0 through WR-3 signals are high. This causes the WE gates to enable and the SAS gates to inhibit.

WR-0 through WR-3 control the data out strobes (DOS, page 5-7). When the WR signals are low (read-restore), the DOS gates enable which samples the output buffers. Data then appears on the output lines.

FULL WORD TRANSFERS, 16K x 36-BIT CONFIGURATION

The word write (\overline{WW}) input controls all 36 bits in this case. Word write operates the memory in the same manner as the byte control inputs described in the preceding section. When word write is high, a read-restore operation occurs. Word write being low causes a clear-write operation.

BYTE TRANSFERS, 32K x 18-BIT CONFIGURATION

The B0 and B2 inputs control byte transfers in this configuration. The B1 and B3 inputs should be open, and the 16K/32K input should be grounded. Pin 1 of the 74S157 on logic page 5-6 being high enables the B inputs of the 74S147. When a clear-write operation is initiated, MB-0 is high. MA17 being high causes WR-0 to go high. MA17 is then low causing WR-1 to be low (read-restore). Byte 1 (B2 input) which controls WR-2 and WR-3 operates in the same manner.

FULL WORD TRANSFERS, 32K x 18-BIT CONFIGURATION

Word write control (\overline{WW}) operates in the same way as the byte control inputs except that \overline{MWW} controls the full word. The byte control inputs should be open.

The memory module always operates on a 36-bit word with address 17 determining what half of the word is to be operated (controlled) on.

DATA BUFFER

The data buffer receives data from the external equipment and transmits data to the external equipment. Logic pages 5-14 through 5-17 show the data buffer. Data on the input lines gates into memory when the write enable (WE) input goes high. If write enable is low and data out strobe goes high, data transmits from memory to the external equipment.

CURRENT REGULATOR

The current regulator provides a regulated bias current for the switch cores in the current source. Thermistor RT-1 causes the regulator to compensate for changes in memory core characteristics with temperature. If temperature increases, the regulator output decreases and vice versa. Logic page 5-21 shows the current regulator circuit.

CURRENT SOURCE

The current source provides current for switching the memory cores. Logic pages 5-22 and 5-23 show the current source. Outputs YRC, +SKV, XWC, XRC, -SKV, and YWC drive the cores through the bridge, read, and write switches. Timing signals cause the appropriate gates at locations Z108 and Z114 to turn on the current source after all of the appropriate core drive switches have turned on.

IREG from the current regulator flows through switch cores T68 and T80 in series. This current biases the switch cores and causes the current source to provide the proper drive current to the memory cores.

BRIDGE SWITCH

The bridge switches steer the direction of current flow in the XSKV and YSKV outputs for read and write operations. Timing signals drive the gates at locations Z112 and Z115. These gates cause a pair of transistors to turn on and effectively connect the outputs to -SKV or +SKV. Q126 effectively connects XSKV to -SKV and Q129 effectively connects YSKV to +SKV during a read operation. During a write operation, Q127 effectively connects XSKV to +SKV and Q140 effectively connects YSKV to -SKV. Logic page 5-24 shows the bridge switch.

X READ SWITCHES AND X WRITE DRIVERS, Y READ DRIVERS AND Y WRITE SWITCHES

These circuits connect the X and Y drive lines to the current source during read and write operations. Timing and address signals cause specified drive lines to activate at the proper time. These circuits are shown on logic pages 5-29, 5-30, 5-31, and 5-32. The circuit on page 5-29 is described below.

The 74145 decodes address and timing information. This causes a specified output to connect to the proper current source polarity at the proper time during read and write operations. Address inputs MA01 and MA02 specify a pair of transistor switches. AoR + AoW specifies one of the pair

of switches. Table 3-1 illustrates the various conditions. Assume the address specifies the uppermost pair of transistors. The uppermost transistor is Q₁, and the second transistor down is Q₂ (this half of QM-13 package).

TABLE 3-1. ADDRESS AND DRIVE CURRENT RELATIONSHIP

| Operation | XSKV | AoR+ \bar{A} oW | Decoder Output Low | Q ₁ | Q ₂ | Drive Current Flow |
|-----------|------|-------------------|--------------------|----------------|----------------|--|
| Read | - | Low | 1 | On | Off | From XSK0 through CR393, through Q ₁ , through CR368 to XSKV. |
| Write | + | High | 2 | Off | On | From XSKV through CR377, through Q ₂ , through CR396 to XSK0. |
| Read | - | High | 2 | Off | On | From XSK1 through CR395, through Q ₂ , through CR369 to XSKV. |
| Write | + | Low | 1 | On | Off | From XSKV through CR376, through Q ₁ , through CR394 to XSK1. |

X READ DRIVER, X WRITE SWITCH, Y WRITE DRIVER, Y READ SWITCH

These circuits turn on specified X or Y drive lines during read and write operations. The 74145 decodes the address and causes one of the transistor switches to turn on. This effectively connects the selected drive line to the current source. Logic pages 5-25, 5-26, 5-27, and 5-28 show these circuits.

The diagram in figure 3-4 shows the core drive circuits.

INHIBIT

During a read operation, all one-state cores at the location being referenced switch to a zero state. These cores switch back to the one state during the write (restore) portion of the memory cycle. The inhibit circuit prevents the cores originally in the zero state from also switching to the one state during write portion of memory cycle.

Logic sheets 36 through 53 show the inhibit drive circuits. Refer to bit 3 on page 5-37 during the following discussion unless otherwise noted. The P27-1 input comes from the sense amplifier output. The INHT-4 input derives from address and timing signals. If inputs P27-1 and INHT-4 are high, transistor Q₁₁ turns on causing current to flow in outputs P27-5 and P27-6. This inhibits the corresponding core from switching during restoration.

Q₁₀ is turned on during the start of inhibit. This effectively shorts out part of the primary winding of the inhibit drive transformer. The turns ratio of the transformer thus effectively decreases. Consequently, the inhibit drive current builds up to the desired value. When the drive current reaches the desired value, Q₁₀ turns off increasing the turns ratio again. The primary of the transformer then delivers a lower current. Because of current step up, the secondary produces the proper inhibit current.

The predrive for inhibit rise circuits on logic pages 5-33, 5-34, and 5-35 drive the transistors that effectively short part of the primary of the drive transformers. The inhibit rise time generator shown on page 5-12 provides a pulse to drive the predrive for inhibit rise circuits. This pulse is adjusted at the factory by selecting R279 in the inhibit rise time generator. Input QT-13 causes the inhibit rise time circuit to generate a pulse with the proper width.

SINK DISCHARGE

The sink discharge circuit is shown on page 5-24. Input QT-24 causes Q₁₃₀ and Q₁₃₁ to turn on and effectively tie the core drive lines to 0 volts at the end of a memory cycle. This leaves the stack at 0 volts until another cycle initiates.

CORE ARRAY

The 94200 core array is organized into 36 128 x 128 planes containing 16,384 bits each. Each plane correlates with one bit of the data word. An address drive line is strung through each row of cores in the X direction. Similarly, an address drive line is strung through each row of cores in the Y direction. The address drive lines are continuous from one plane to the next. The memory thus has a total of 128 X and 128 Y drive lines. Activating one X line and one Y line references one word location. Each plane has two sense/inhibit lines. This allows a faster memory cycle. Each sense/inhibit line is strung through one half of the cores (8192) in the plane. The sense/inhibit lines connect to dual sense amplifiers. Dual sense amplifiers and a data register are combined in the same package. There are 36 dual sense amplifier-data register packages.

During a read operation, all cores at the referenced location in the one state switch to the zero state. Pulses are induced into the corresponding sense/inhibit lines when a core switches. The sense

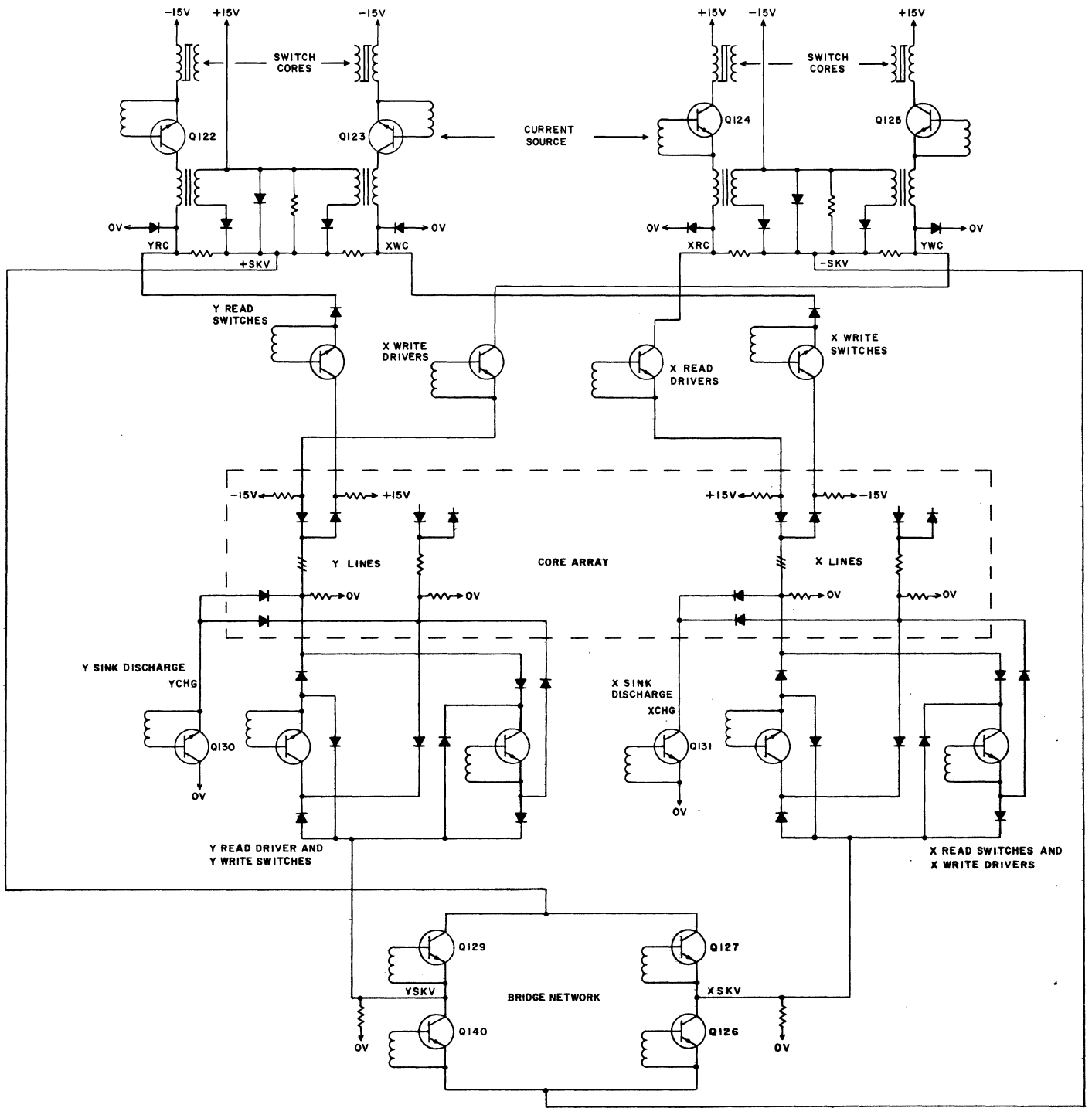


Figure 3-4. Core Drive Circuits

amplifiers receive the induced pulses and store ones in the data register. Cores which were in the zero state at the beginning of the operation do not switch. Therefore, those sense amplifiers store zeros in the data register.

Information stored at the referenced location is destroyed during a read operation. Consequently, the information must be restored into memory. During the write (restore) portion of a memory cycle, the sense/inhibit lines corresponding to zeros in the stored data word are driven. This prevents those cores from switching to a one state. The bits with no inhibit current cause these cores to switch to a one state.

Write operations perform by clearing data out of the referenced location and writing in new data. In this case, the input data word stores the information in the data buffer register. The data buffer register then controls the inhibit drive which determines which cores contain ones or zeros.

Figure 3-5 shows an example of X and Y line selection. Logic pages 5-56 through 5-59 are schematics of the core array.

SENSE AMPLIFIER AND DATA REGISTER

The sense amplifiers read data from the memory cores, and the data register causes data to restore into memory. Thirty-six microcircuits compose the sense amplifiers and data register. Each microcircuit package contains a dual sense amplifier and one bit of the data register. Logic pages 5-60 through 5-68 show the sense amplifiers and data register.

ONE-BIT DATA PATH

Figure 3-6 outlines the data path of bit 2 of the data word. Each half of a memory plane has a sense/inhibit line (SA and SB). The two sense inhibit lines for each plane connect to a dual sense amplifier. Each dual sense amplifier also contains one bit of the data register. During a read operation, the sense/inhibit line corresponding to the half of the memory plane in which the core referenced is located becomes active. If the core referenced had a one stored, the core switches to zero and generates a pulse in the sense/inhibit line. The pulse drives one input of the dual sense amplifier. When a strobe pulse (SAS-0 through SAS-3) samples the strobe gate in the sense amplifier-data register package, a one sets into the data register. Setting a one into the data register causes its output to go low.

If the core referenced had a zero stored, no pulse occurs in the sense/inhibit line, and the output of the data register remains high. Therefore, a zero (GND) appears at the output of the data buffer when the data out strobe signal occurs.

The output of the data register also drives the inhibit circuit. The outputs of the data register which correspond to zero-state cores are high. This partially enables one of the gates at location Z3, figure 3-6. Input INHT-3 or INHT-4 goes high causing current to flow in the sense/inhibit line in the half of the memory plane corresponding to the location referenced. In the read-modify-write mode, data is present at the data input buffer at the start of the write portion of the memory cycle. Write enable samples the data, and the information stores in the data buffer register. Zeros on the data input lines cause the corresponding data register outputs to be high. This enables the gates at location Z3 in figure 3-6. The proper sense/inhibit line then activates in the same manner as during the inhibit portion of a full cycle operation.

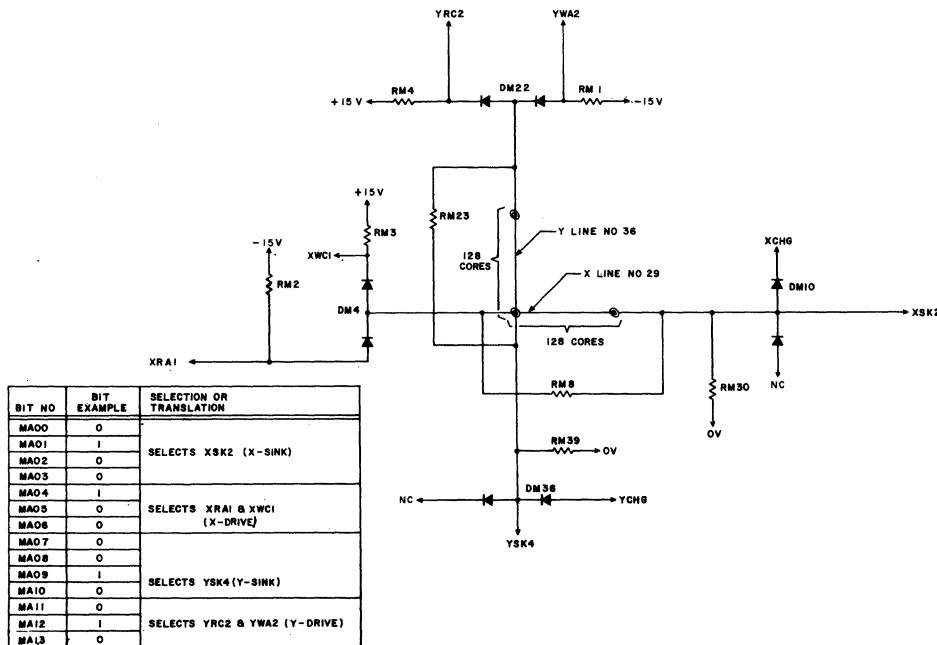


Figure 3-5. X and Y Line Selection Example

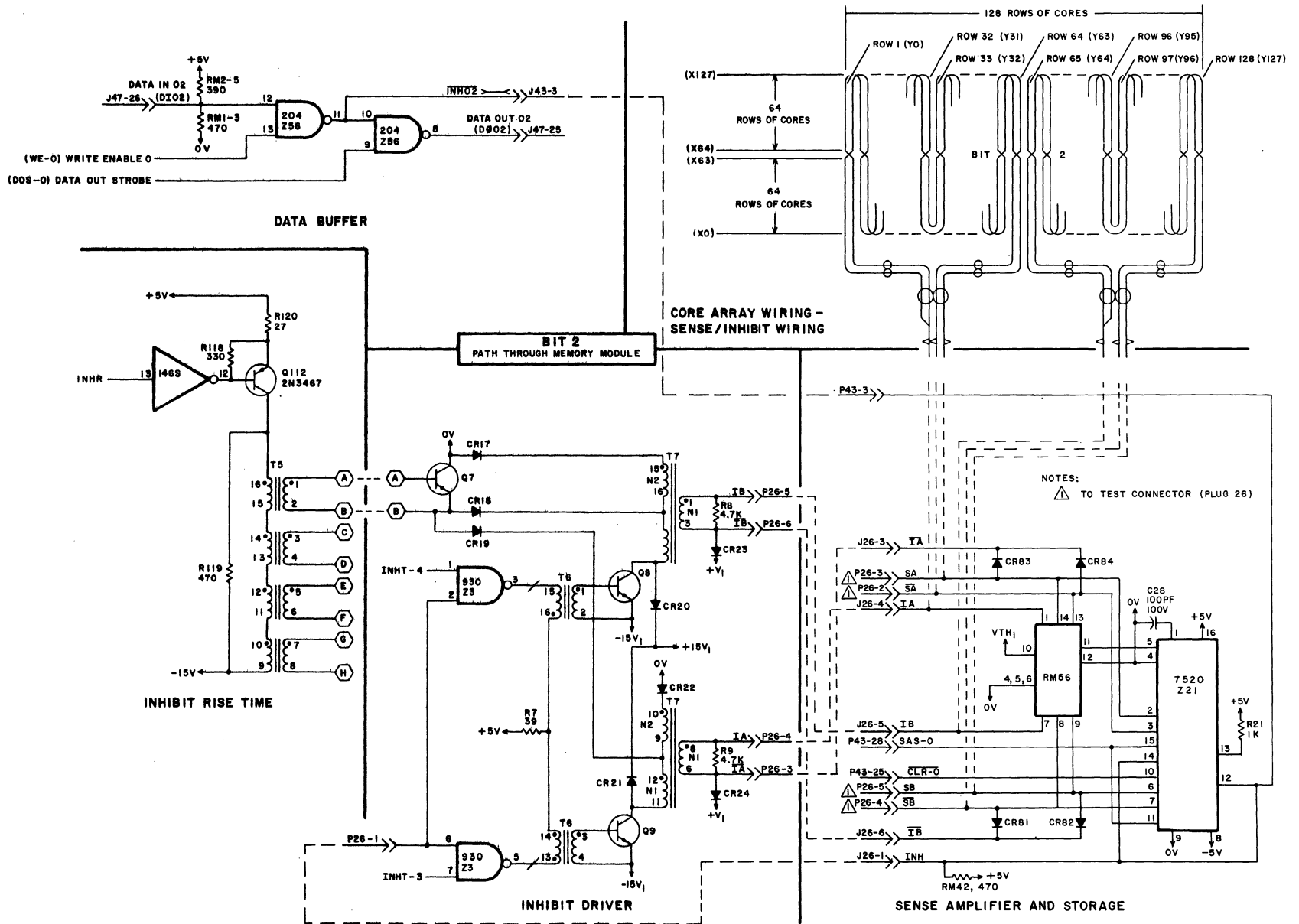
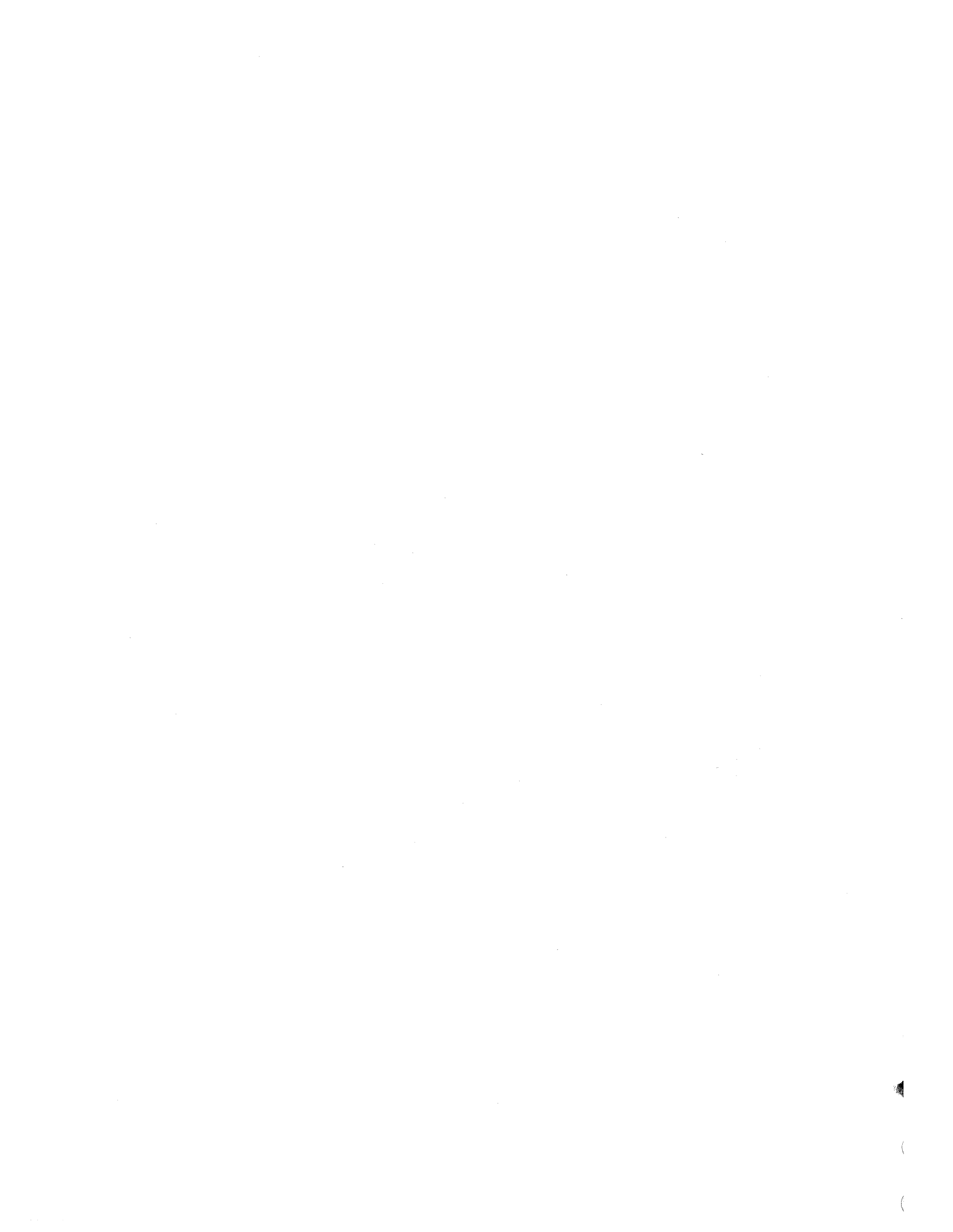


Figure 3-6. Bit 2 Data Path



INTRODUCTION

This section provides memory tests and troubleshooting charts to aid in finding problems. The memory tests usually indicate data, address, or control logic errors in the module. The charts provide possible causes of the trouble.

Before troubleshooting the module, be sure the problem is not external. Check the power supply voltages, and see that the power supply regulates properly. Improper programming causes errors. The accessibility of the interface lines makes this a reasonable place to start troubleshooting. Substituting a spare module isolates problems quickly.

RECOMMENDED TEST EQUIPMENT

| <u>Equipment</u> | <u>Manufacturer</u> | <u>Type</u> |
|--------------------|---------------------|--------------------------------|
| Oscilloscope | Tektronix | 454 series or equivalent |
| Current probe | Tektronix | P6021 or equivalent |
| Voltage probe | Tektronix | 10:1 attenuation or equivalent |
| Digital multimeter | Fairchild | Model 7050 or equivalent |
| VOM | Triplet | 630-NA or equivalent |

MEMORY TESTS

The following externally generated test patterns are useful for troubleshooting.

ALL ONES

Sequentially load the memory with logic ones. Next, do a read-restore operation. Ones should unload from the storage location of each address. Any zero on the data out lines is an error. Record the address and bit or bits in error.

ALL ZEROS

Proceed as in the all ones test, but load and unload the memory with zeros.

WORST PATTERN AND WORST PATTERN COMPLEMENT

These patterns cause the worst-case noise conditions on the output lines during read-out. The following logic equations relate addresses to data content for writing the worst patterns into memory:

$$\begin{aligned} \text{Worst Pattern} &= \overline{2^6} \cdot \overline{2^7} + 2^6 \cdot 2^7 \\ \text{Worst Pattern} &= 2^6 \cdot \overline{2^7} + \overline{2^6} \cdot 2^7 \end{aligned}$$

Read the memory and record any address and bit errors.

ERRORS

Errors discovered while running the test patterns are usually associated with the data, address, or control logic in the memory module.

CONTROL ERRORS

Failure to perform operations or erratic operations usually indicates a control problem. Control problems also cause data and address errors. Faulty signals from the external equipment can cause control malfunctions. Refer to figure 4-1 and the interface timing diagrams (figures 2-4 through 2-7) in section 2 when troubleshooting control errors.

ADDRESS ERRORS

Address errors affect all bits in a data word because decoded address information specifies an X and Y drive line in order to reference memory. Malfunctioning drive line control circuits cause errors at all addresses on the drive line. Failure of the address register, drive switches, or decoders causes address errors.

If the same address errors occur in all modules of a multimodule system, check the address input signals, line connections, and address registers. If all errors are associated with one module, substitute a spare module or swap with a module at a different location. This isolates the problem to one module. Refer to figure 4-2 when troubleshooting address errors.

Table 4-1 is an aid to troubleshooting to circuit and component levels. The table associates the address bits with circuits, components, and logic diagrams. The address bits are grouped to show the relationship to the X and Y memory drive lines. An example address (octal) of 0-4-3-11 is shown. The circuits and components which cause drive

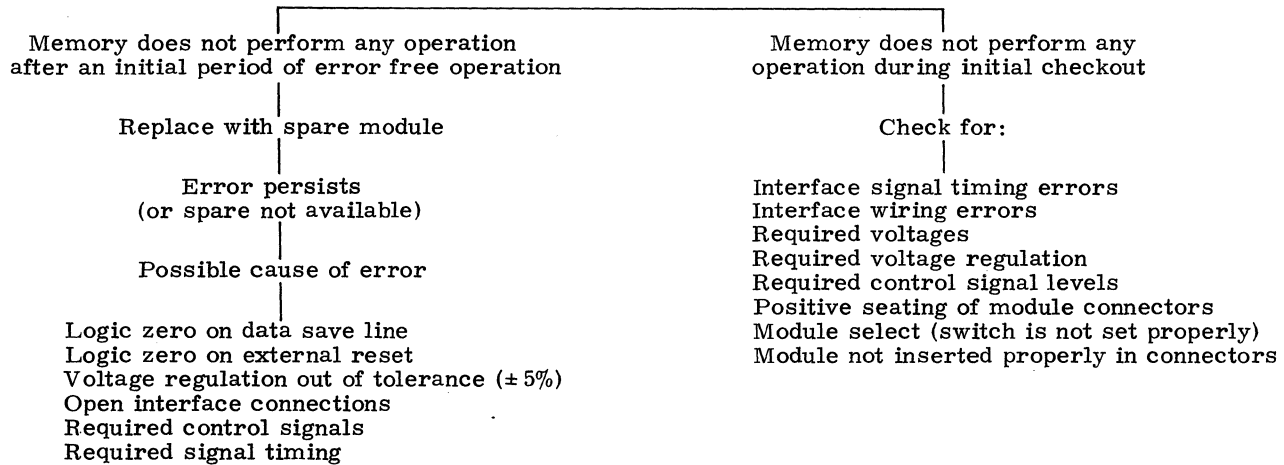
current to flow during a read operation do not necessarily cause current to flow during write operation.

DATA ERRORS

Data errors usually occur in the same bit position of all data words during either a read or write

operation. Check the sense amplifier and related circuits for bit errors during a read operation. Check the inhibit driver and related circuits for bit errors during a write operation. Address 2¹³ divides the bit into two 8K segments for inhibit-sense. Refer to figure 4-3 when troubleshooting data errors.

MEMORY ERRORS SYMPTOM



MEMORY PERFORMS AT LEAST ONE OPERATION, BUT NOT:

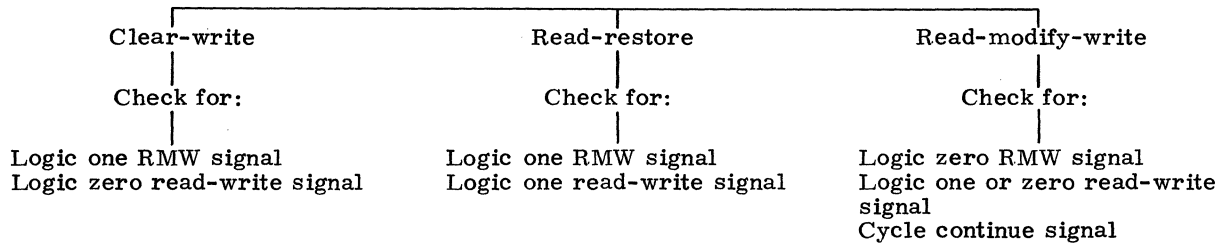


Figure 4-1. Control Errors

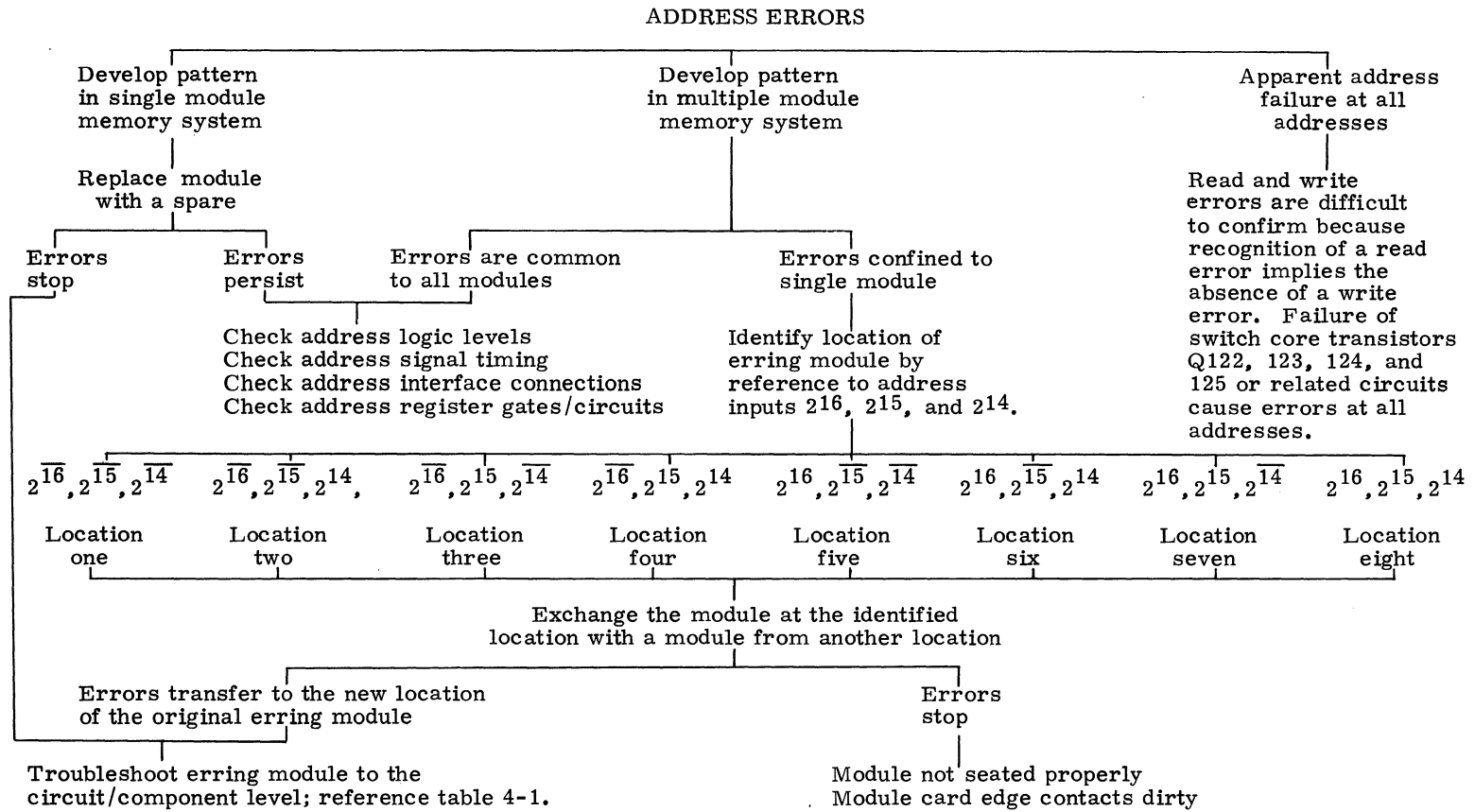


Figure 4-2. Address Errors

TABLE 4-1. RELATIONSHIP OF ADDRESS BITS, CIRCUITS, AND LOGIC DIAGRAMS

| Address Bits | $2^{16} 2^{15} 2^{14}$ | $2^{13} 2^{12} 2^{11}$ | $2^{10} 2^9 2^8 2^7$ | $2^6 2^5 4$ | $2^3 2^2 2^1 2^0$ |
|--|------------------------|---|---|---|--|
| Function | Module 0 through 7. | Y read switches, logic page 5-28. Y write drivers, logic page 5-27. (diode end of stack) | Y read drivers and Y write switches, logic pages 5-31 and 5-32. (sink end of stack) | X read drivers, logic page 5-25. X write switches, logic page 5-26. (diode end of stack) | X read switches and X write drivers. Logic pages 29 and 30. (sink end of stack) |
| Address Octal Address | | $\overline{2^{13}} \overline{2^{12}} \overline{2^{11}}$ 0 | $\overline{2^{10}} \overline{2^9} \overline{2^8} \overline{2^7}$ 4 | $\overline{2^6} \overline{2^5} \overline{2^4}$ 3 | $\overline{2^3} \overline{2^2} \overline{2^1} \overline{2^0}$ 11 |
| X-Y designation logic page no. in (). | | YRC0 (5-28) YWA0 (5-27) | YSK4 (5-31) | XRA3 (5-25) XWC3 (5-26) | XSK11 (5-30) |
| Possible circuitry for cause of problem | | QM3, pin 5-7 CR454 T74 Z123 P4, term 9 QM1, pin 1, 2, 3 T72 Z118 P2, term 1 | QM9, pin 1-7 CR306 CR324 CR315 CR327 T81 Z117 P1, term 14 | QM5, pin 12-14 T76 Z119 P2, term 12 QM7, pin 8-10 CR462 T78 Z122 P4, term 4 | QM15, pin 8-10 and 12-14 CR177 CR412 CR419 CR430 T87 Z121 P3, term 12 |

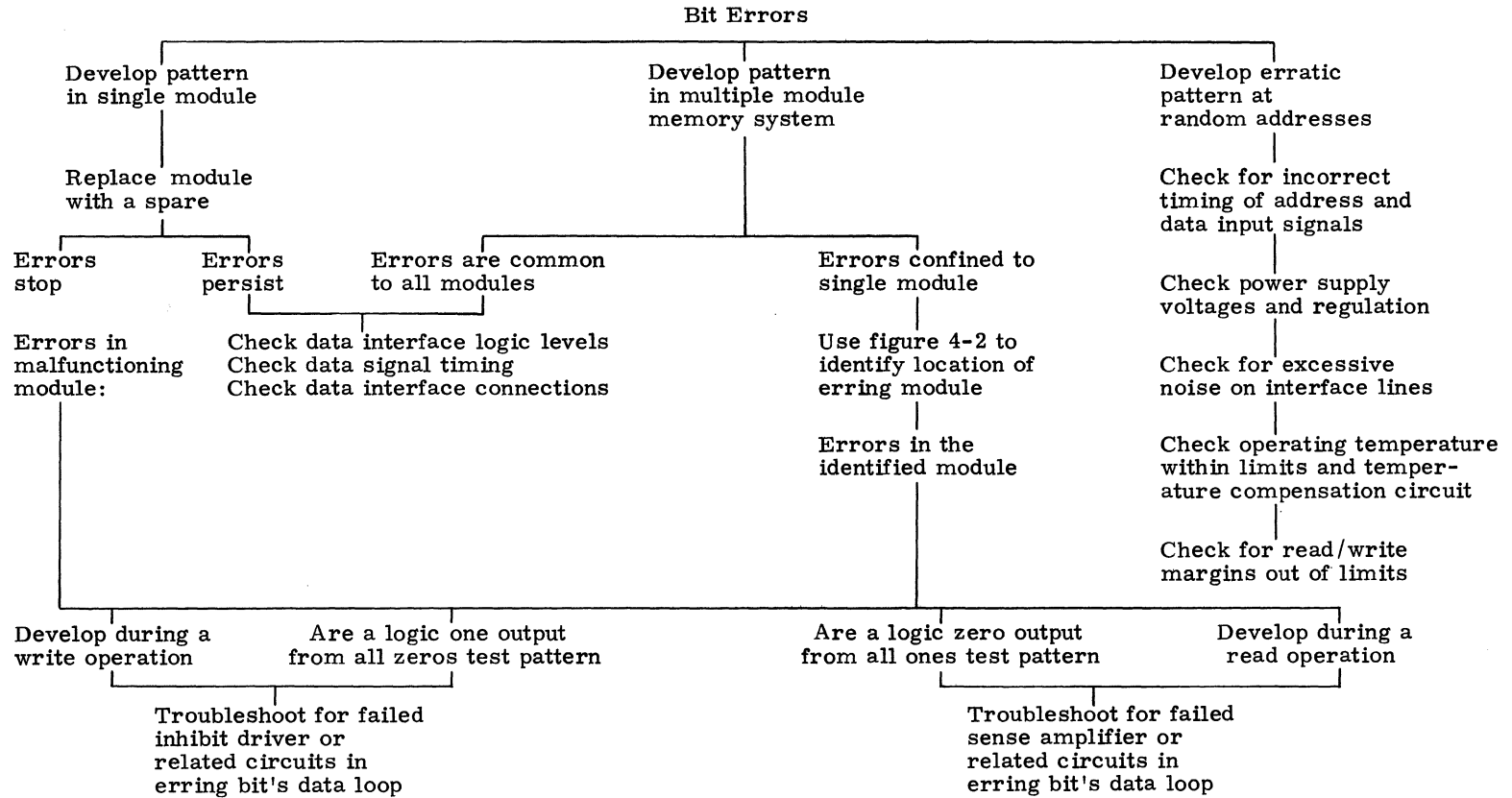


Figure 4-3. Data Errors

LOGIC AND COMPONENT LOCATION DIAGRAMS

5

4

3

2

1

| SHEET REVISION STATUS | | | | | | | | REVISION RECORD | | | | | |
|-----------------------|-----|------------------|--|--|--|--|--|-----------------|-------|------|-----|--|--|
| REV | ECO | DESCRIPTION | | | | | | DRFT | DATE | CHKD | APP | | |
| 01 | | RELEASED CLASS B | | | | | | DWA | 4-4-5 | | | | |

NOTES:

1. UNLESS OTHERWISE SPECIFIED
 - A. ALL RESISTORS ARE $\frac{1}{2}\%$ 5% AND IN OHMS
 - B. ALL CAPACITORS ARE IN MICRO FARADS
 - C. ALL TRANSISTORS ARE 2N3725
 - D. ALL DIODES ARE IN4607
2. PIN 1 OF ALL RESISTOR MODULES (RM) WILL CONNECT TO +5V OR 0 VOLTS
3. +5V CONNECTS TO ALL 390 Ω MODULES AND 0V CONNECTS TO 470 Ω MODULES
4. RESISTOR DESIGNATION R211 THRU R240 WAS NOT USED
5. \rightarrow THIS SYMBOL REPRESENTS A MALE CONNECTOR SUCH AS CARD EDGE OR A MALE PIN THAT MATES TO CORE ARRAY
6. \leftarrow THIS SYMBOL REPRESENTS A FEMALE THAT MATES TO CORE ARRAY
7. \leftarrow THIS SYMBOL WILL BE FOUND ON LEFT BORDER, IT INDICATES DIRECTION OF SIGNAL FLOW. TO LEFT OF ARROW WILL BE SIGNAL NAME OR MNEMONIC AND IN PARENTHESIS () THE ORIGINATING PAGE.
8. \rightarrow THIS SYMBOL WILL BE FOUND ON RIGHT BORDER, IT INDICATES DIRECTION OF SIGNAL FLOW. TO THE RIGHT OF ARROW WILL BE SIGNAL NAME OR MNEMONIC AND IN PARENTHESIS () THE PAGE NUMBERS OF ALL DESTINATIONS TOGETHER SEE CHART.
9. 32K X 18 CONFIGURATION REQUIRES THAT TWO DATA IN AND DATA OUT BITS MUST BE CONNECTED TOGETHER SEE CHART.

INTERNAL ADDRESS CONTROL

| BYTE 0 | MAI7 | | MAI7 | |
|-----------------|--------|----------------|--------|----------------|
| | PIN | INTERNAL BIT # | PIN | INTERNAL BIT # |
| DATA IN BIT 00 | J47-21 | 00 | J47-29 | 09 |
| " " " 01 | J47-23 | 01 | J47-49 | 10 |
| " " " 02 | J47-26 | 02 | J47-45 | 11 |
| " " " 03 | J47-31 | 03 | J47-55 | 12 |
| " " " 04 | J47-37 | 04 | J47-51 | 13 |
| " " " 05 | J47-33 | 05 | J47-59 | 14 |
| " " " 06 | J47-44 | 06 | J47-62 | 15 |
| " " " 07 | J47-28 | 07 | J47-64 | 16 |
| " " " 08 | J47-39 | 08 | J47-68 | 17 |
| BYTE 1 | | | | |
| DATA IN BIT 09 | J46-56 | 18 | J46-40 | 27 |
| " " " 10 | J46-58 | 19 | J46-38 | 28 |
| " " " 11 | J46-53 | 20 | J46-34 | 29 |
| " " " 12 | J46-61 | 21 | J46-28 | 30 |
| " " " 13 | J46-47 | 22 | J46-31 | 31 |
| " " " 14 | J46-51 | 23 | J46-26 | 32 |
| " " " 15 | J46-59 | 24 | J46-22 | 33 |
| " " " 16 | J46-43 | 25 | J46-19 | 34 |
| " " " 17 | J46-14 | 26 | J46-16 | 35 |
| BYTE 0 | | | | |
| DATA OUT BIT 00 | J47-22 | 00 | J47-30 | 09 |
| " " " 01 | J47-24 | 01 | J47-50 | 10 |
| " " " 02 | J47-25 | 02 | J47-46 | 11 |
| " " " 03 | J47-32 | 03 | J47-56 | 12 |
| " " " 04 | J47-38 | 04 | J47-52 | 13 |
| " " " 05 | J47-34 | 05 | J47-57 | 14 |
| " " " 06 | J47-43 | 06 | J47-61 | 15 |
| " " " 07 | J47-27 | 07 | J47-63 | 16 |
| " " " 08 | J47-40 | 08 | J47-67 | 17 |
| BYTE 1 | | | | |
| DATA OUT BIT 09 | J46-55 | 18 | J46-39 | 27 |
| " " " 10 | J46-57 | 19 | J46-37 | 28 |
| " " " 11 | J46-54 | 20 | J46-33 | 29 |
| " " " 12 | J46-62 | 21 | J46-27 | 30 |
| " " " 13 | J46-48 | 22 | J46-32 | 31 |
| " " " 14 | J46-52 | 23 | J46-25 | 32 |
| " " " 15 | J46-60 | 24 | J46-21 | 33 |
| " " " 16 | J46-44 | 25 | J46-20 | 34 |
| " " " 17 | J46-13 | 26 | J46-15 | 35 |

D

D

C

C

B

B

A

A

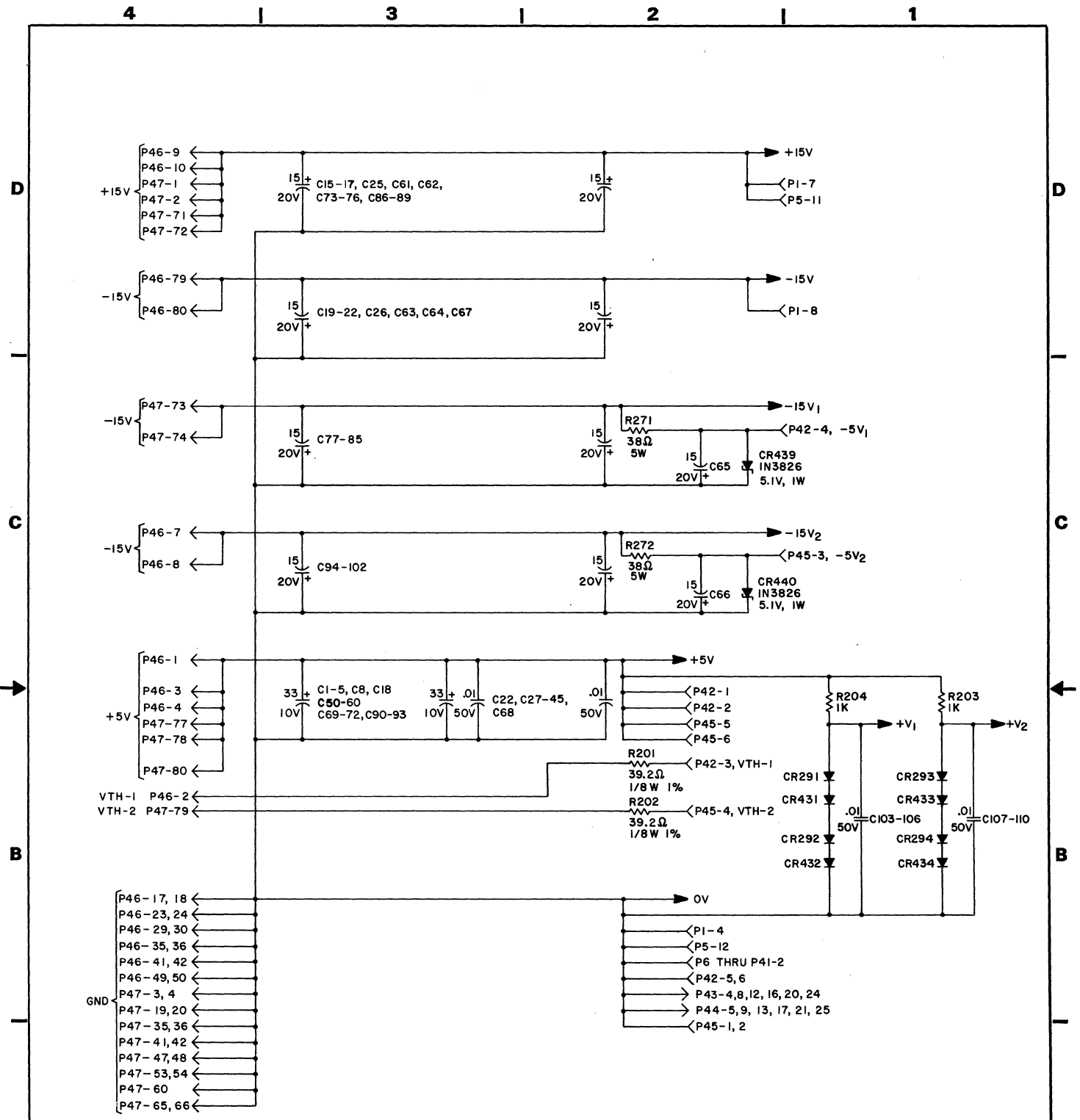
| | | | | | | | | | | | |
|----------------|--|---------------|--------------|---------------------|---------------|--------------------|--------|---|------------|--|--|
| DETACHED LISTS | UNLESS OTHERWISE SPECIFIED DIMENSIONS ARE IN INCHES TOLERANCES | | | CONTROL DATA | | C M M D OPERATIONS | TITLE | | | | |
| | 3 PLACE \pm | 2 PLACE \pm | ANGLES \pm | FIRST USED ON | DWN | D. ANDERSON | 4-4-75 | MEMORY ELECTRONICS BOARD SCHEMATIC OEM 16K X 36 & 32K X 18 | | | |
| | DO NOT SCALE DRAWING | | | CHKD | ENGR | DOROTHY B. HOWARD | 4/4/75 | CODE IDENT | DRAWING NO | | |
| | FINISH | | | MFG | APPR | | | C | 82843000 | | |
| SCALE | | | | | SHEET 1 OF 54 | | | | | | |

4

3

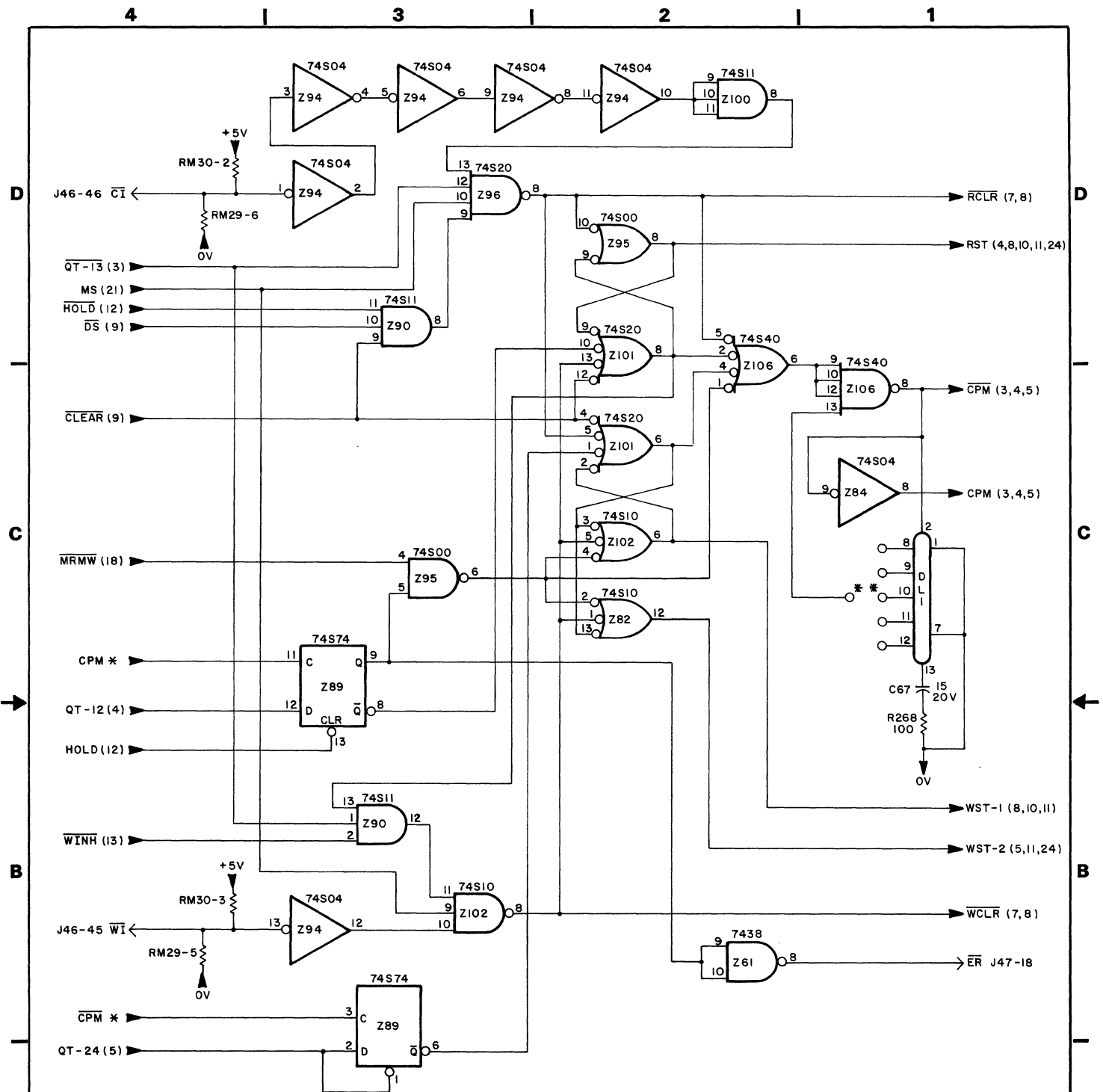
2

1



NOTES:
 1. VTH-1 AND VTH-2 ARE TO BE TIED TO +5VOLT FOR NORMAL OPERATION.

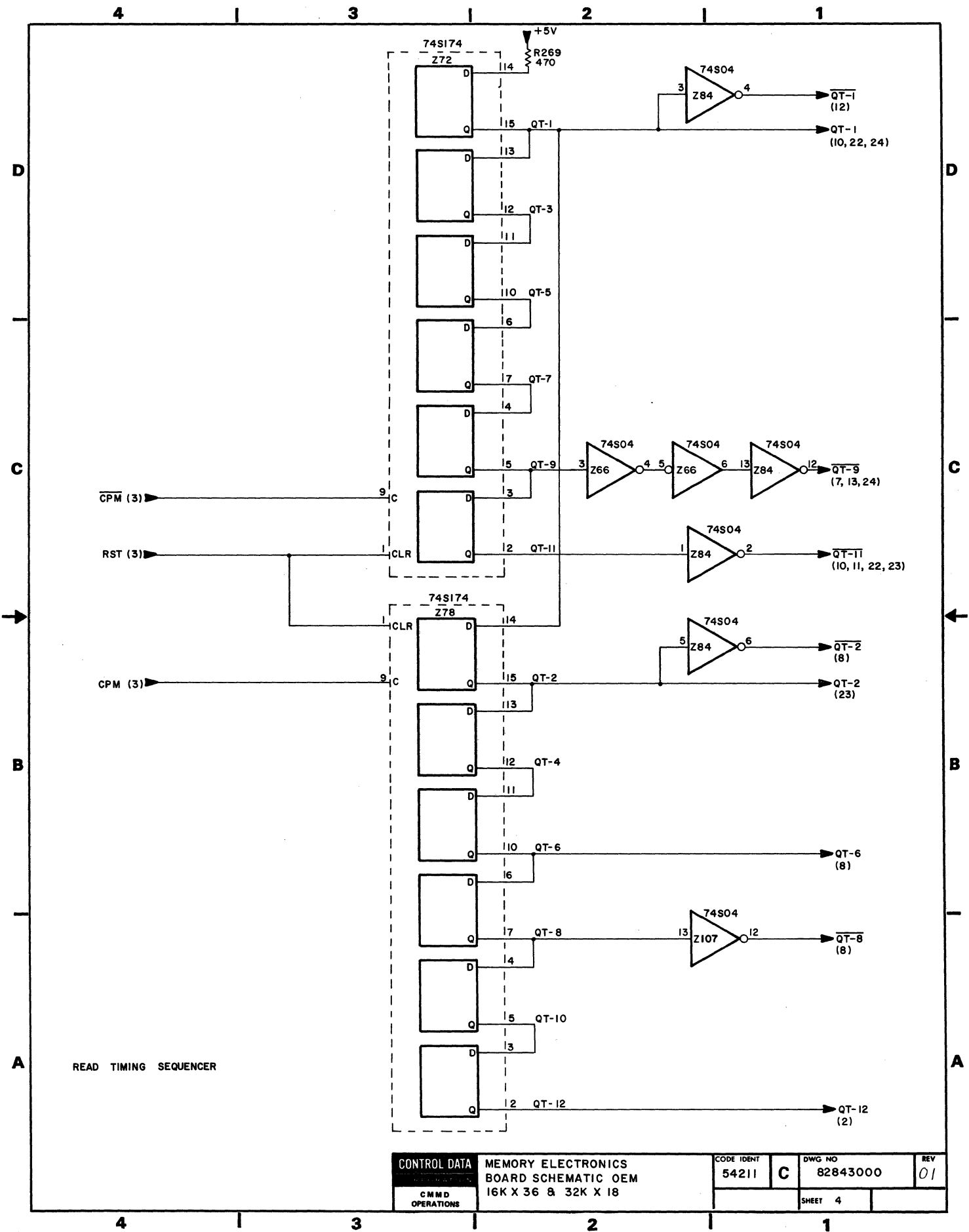
| | | | | | |
|--|--|---------------------|---|--------------------|-----------|
| CONTROL DATA C M M D O P E R A T I O N S | MEMORY ELECTRONICS BOARD SCHEMATIC OEM 16K X 36 & 32K X 18 | CODE IDENT 54211 | C | DWG NO 82843000 | REV 01 |
| | | | | SHEET 2 | |



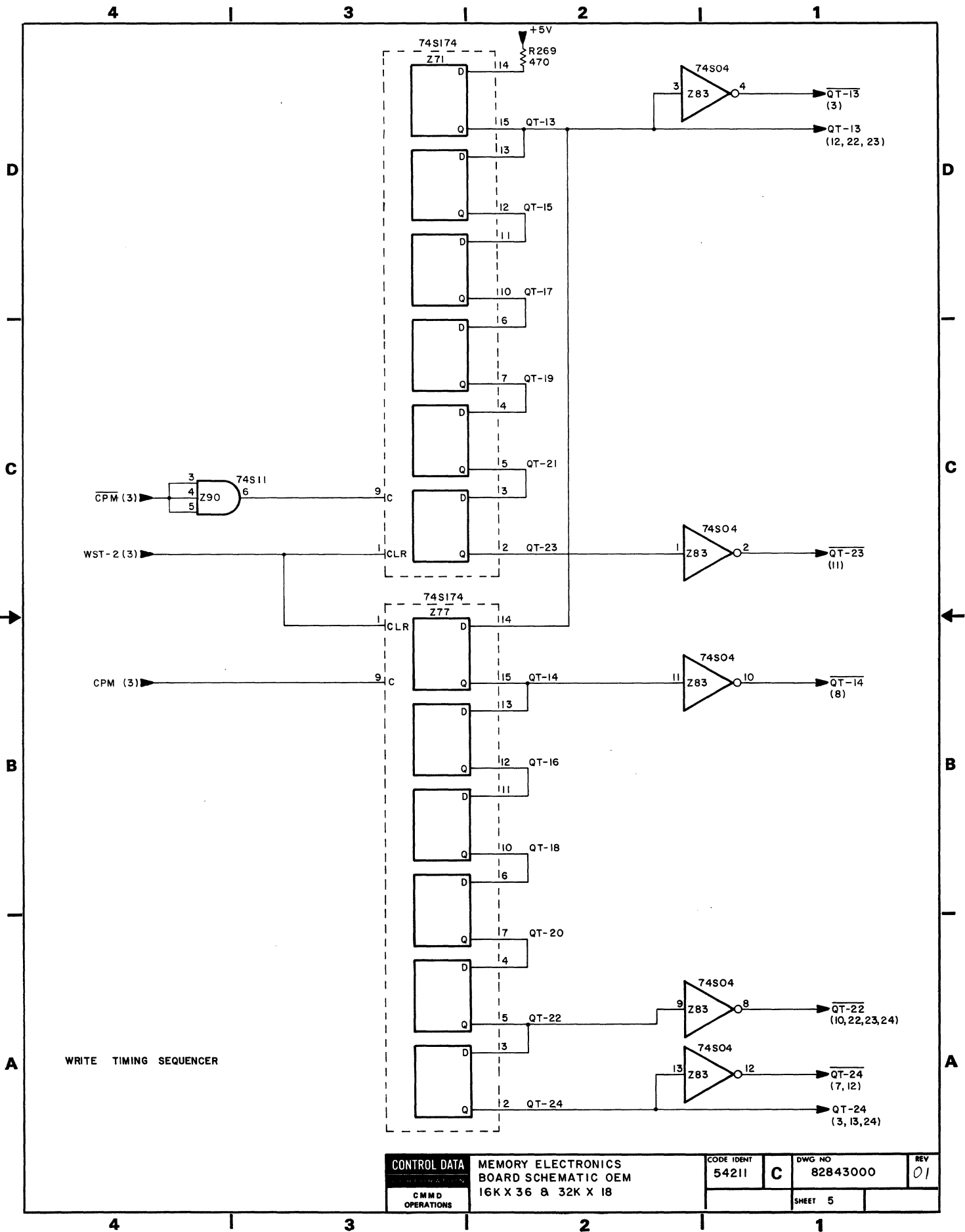
NOTE:
 * OUTPUT LOCATED ON THIS PAGE.
 ** WIRE JUMPER DETERMINED IN TEST.

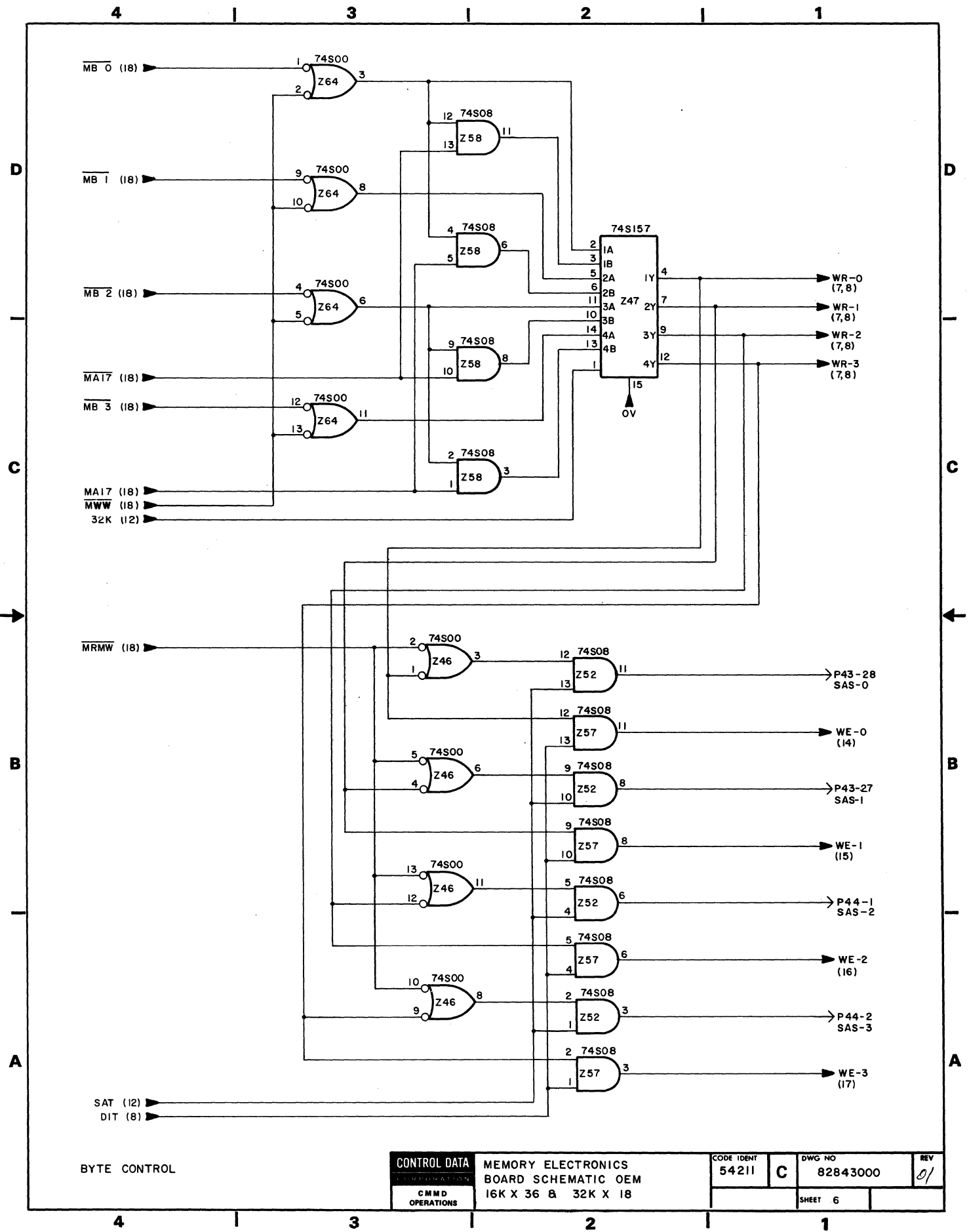
TIMING CONTROL

| | | | | |
|--|--|---------------------|----------------------|-----------|
| CONTROL DATA C M M D O P E R A T I O N S | MEMORY ELECTRONICS BOARD SCHEMATIC OEM 16K X 36 AND 32K X 18 | CODE IDENT 54211 | DWG NO C 82843000 | REV 01 |
| | | SHEET 3 | | |



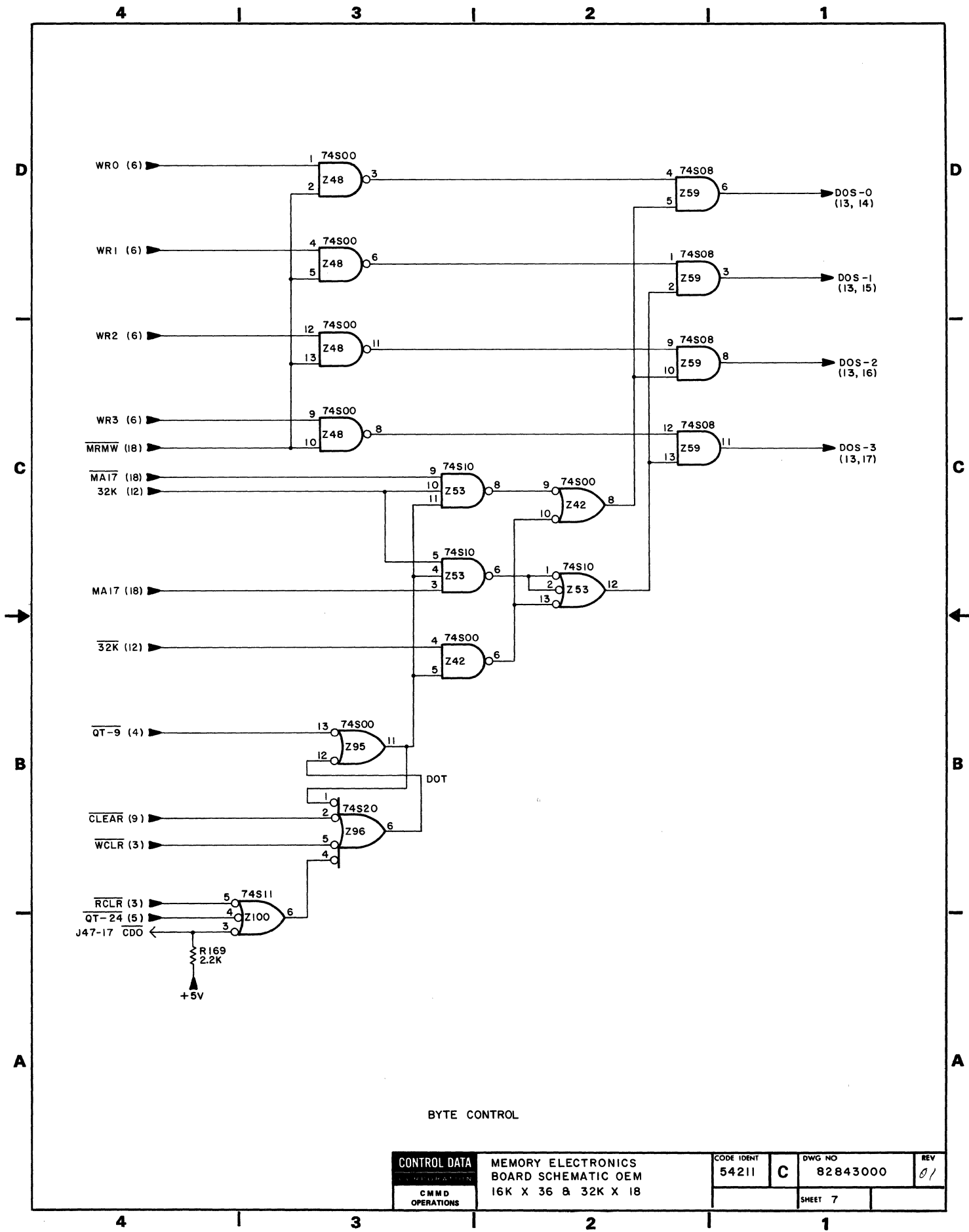
| | | | | |
|------------------------------------|--|---------------------|----------------------|-----------|
| CONTROL DATA CMMD OPERATIONS | MEMORY ELECTRONICS BOARD SCHEMATIC OEM 16K X 36 & 32K X 18 | CODE IDENT 54211 | DWG NO C 82843000 | REV 01 |
| | | SHEET 4 | | |





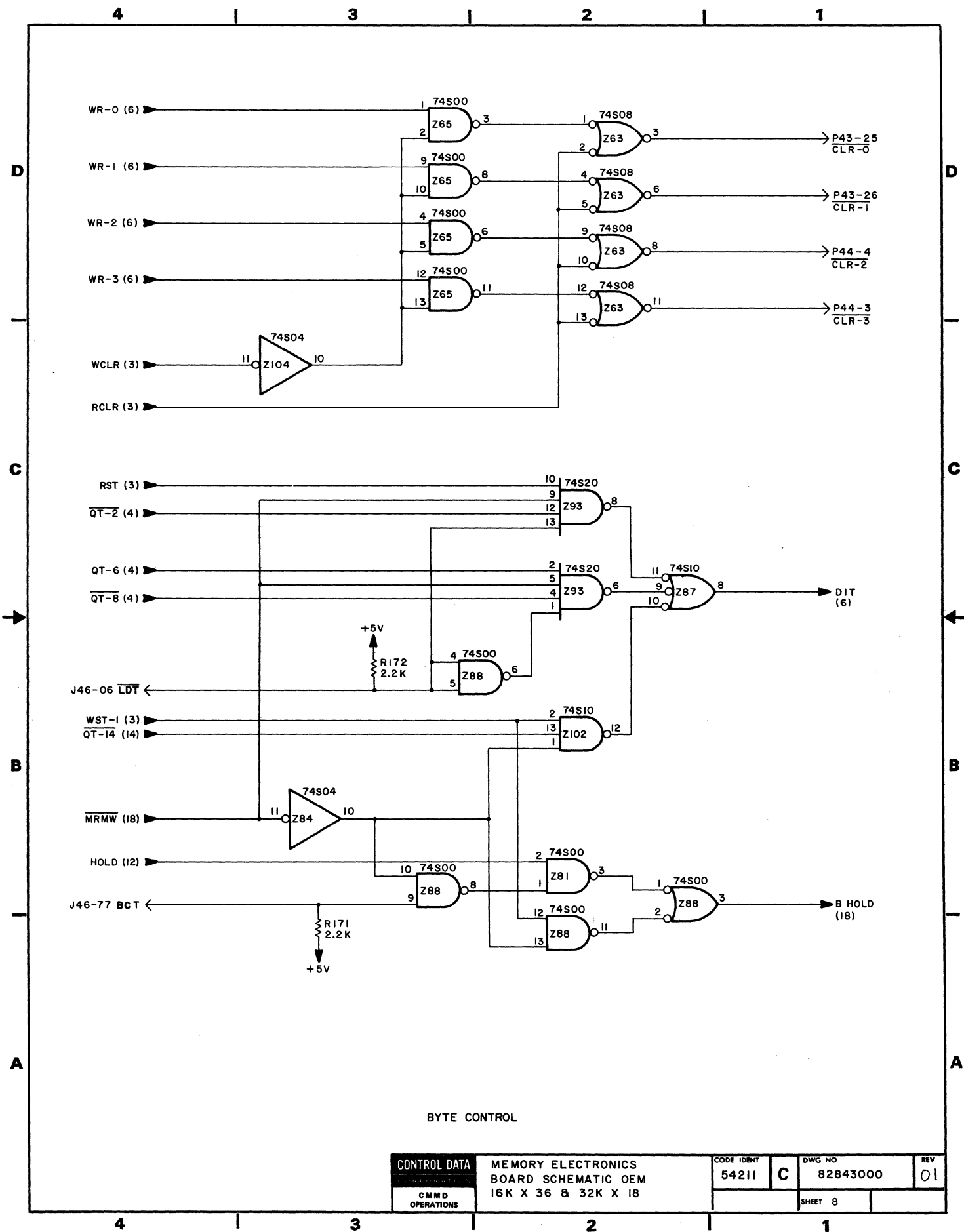
BYTE CONTROL

| | | | | |
|-----------------------------|---------------------|------------|------------|-----|
| CONTROL DATA CORPORATION | MEMORY ELECTRONICS | CODE IDENT | DWG NO | REV |
| | BOARD SCHEMATIC OEM | 54211 | C 82843000 | 01 |
| C M M D OPERATIONS | 16K X 36 & 32K X 18 | SHEET 6 | | |

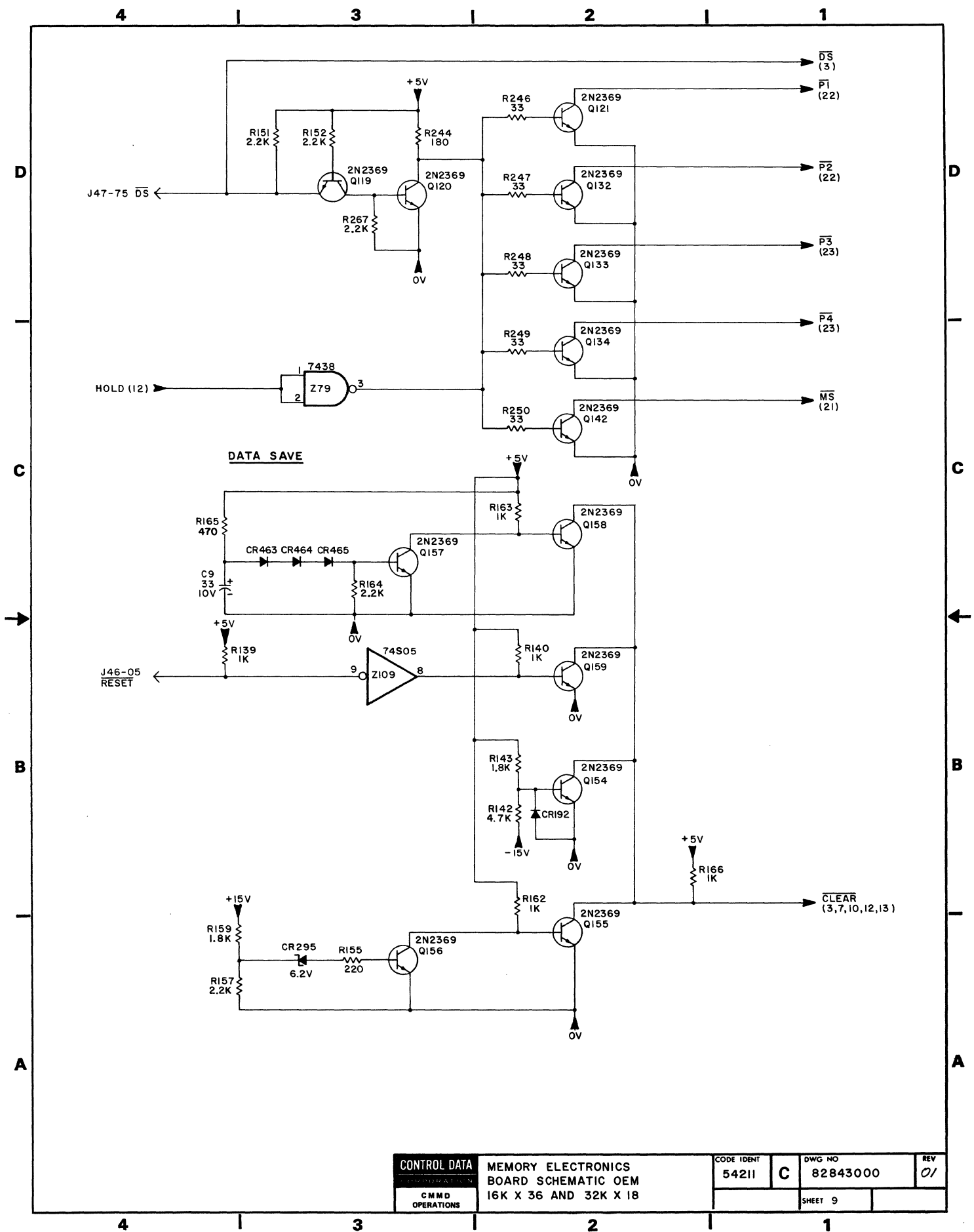


BYTE CONTROL

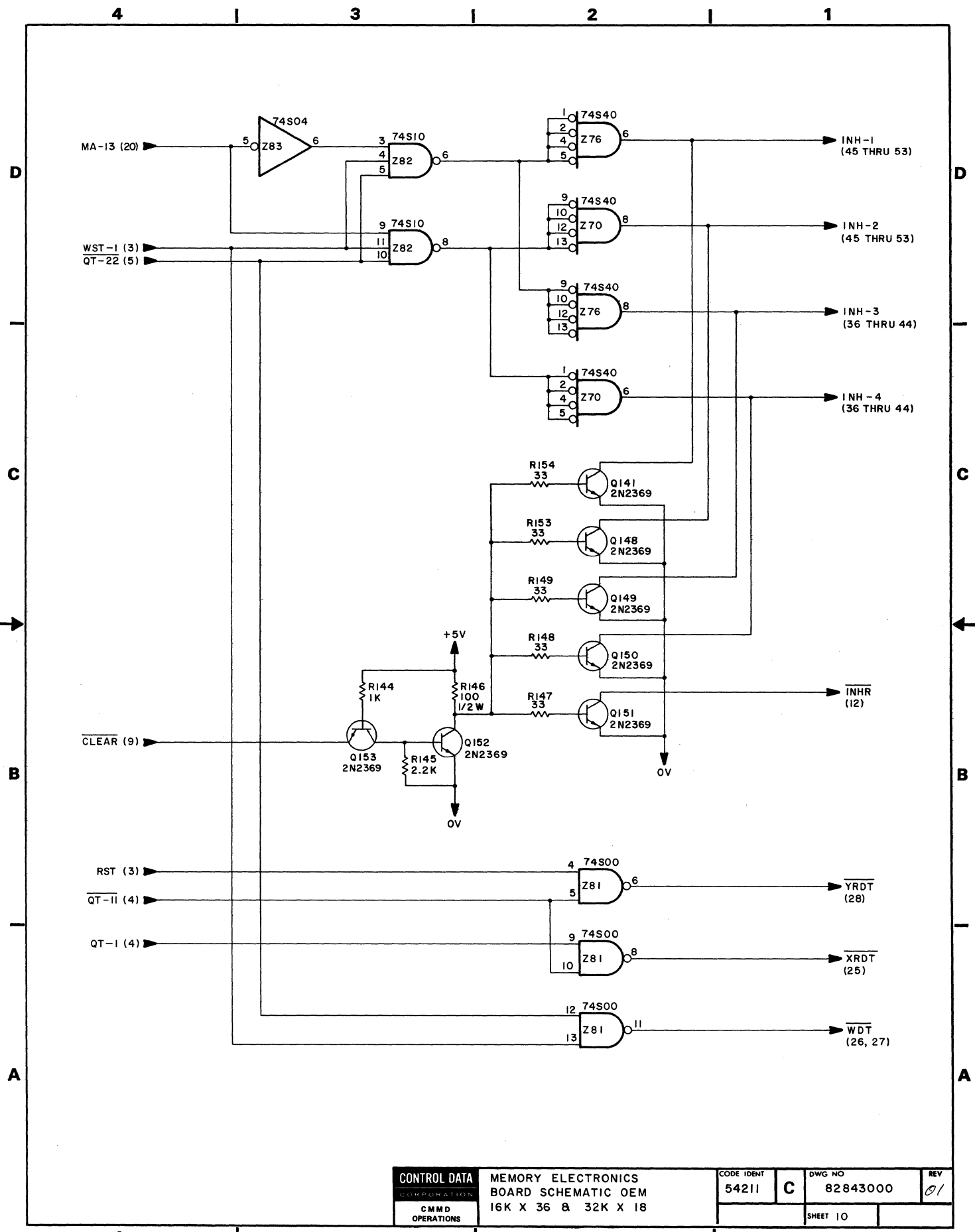
| | | | | |
|--------------------|--|------------|------------|-----|
| CONTROL DATA | MEMORY ELECTRONICS BOARD SCHEMATIC OEM 16K X 36 & 32K X 18 | CODE IDENT | DWG NO | REV |
| | | 54211 | C 82843000 | 01 |
| CMMO OPERATIONS | | SHEET 7 | | |



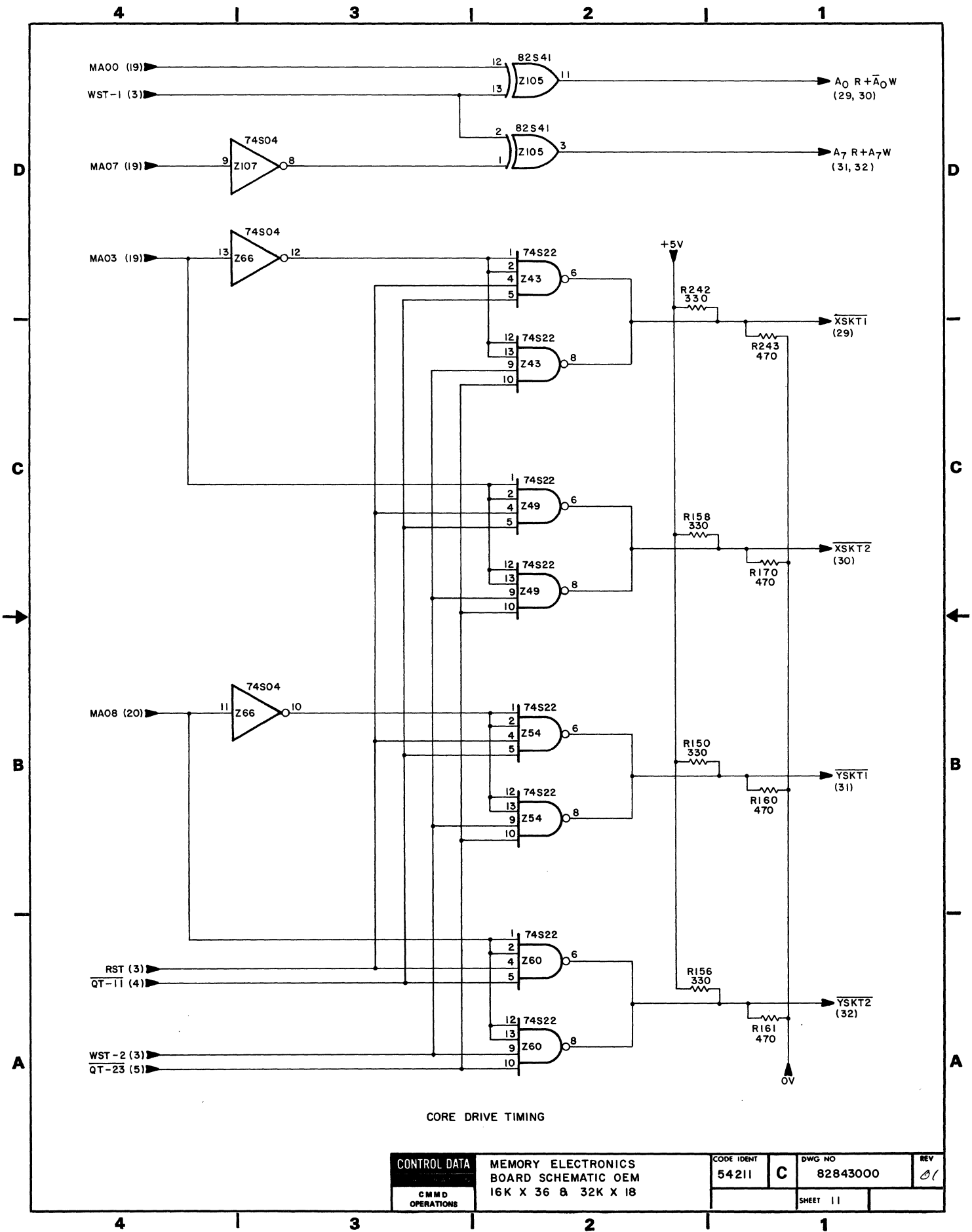
| | | | | |
|------------------------------------|--|---------------------|----------------------|-----------|
| CONTROL DATA CMND OPERATIONS | MEMORY ELECTRONICS BOARD SCHEMATIC OEM 16K X 36 & 32K X 18 | CODE IDENT 54211 | DWG NO C 82843000 | REV 01 |
| | | SHEET 8 | | |



| | | | | | |
|----------------------------|--|--|---------------------|----------------------|-----------|
| CONTROL DATA OPERATIONS | MEMORY ELECTRONICS BOARD SCHEMATIC OEM 16K X 36 AND 32K X 18 | | CODE IDENT 54211 | DWG NO C 82843000 | REV 01 |
| | | | | SHEET 9 | |

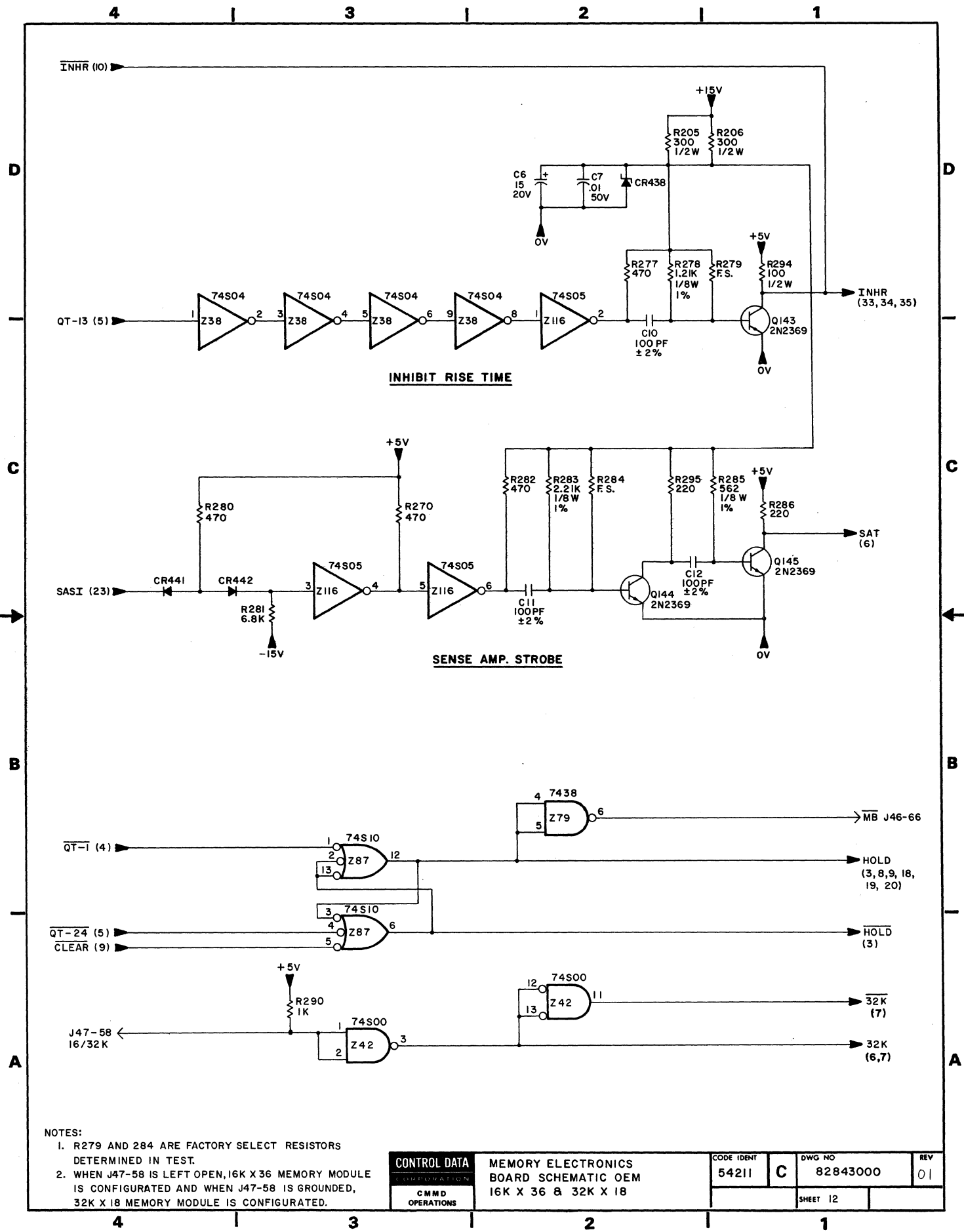


| | | | | |
|---|--|---------------------|----------------------|-----------|
| CONTROL DATA CORPORATION CMMD OPERATIONS | MEMORY ELECTRONICS BOARD SCHEMATIC OEM 16K X 36 & 32K X 18 | CODE IDENT 54211 | DWG NO C 82843000 | REV 01 |
| | | SHEET 10 | | |



CORE DRIVE TIMING

| | | | | | |
|---------------------------------------|--|---------------------|---|--------------------|-----------|
| CONTROL DATA C M M D OPERATIONS | MEMORY ELECTRONICS BOARD SCHEMATIC OEM 16K X 36 & 32K X 18 | CODE IDENT 54211 | C | DWG NO 82843000 | REV 01 |
| | SHEET 11 | | | | |



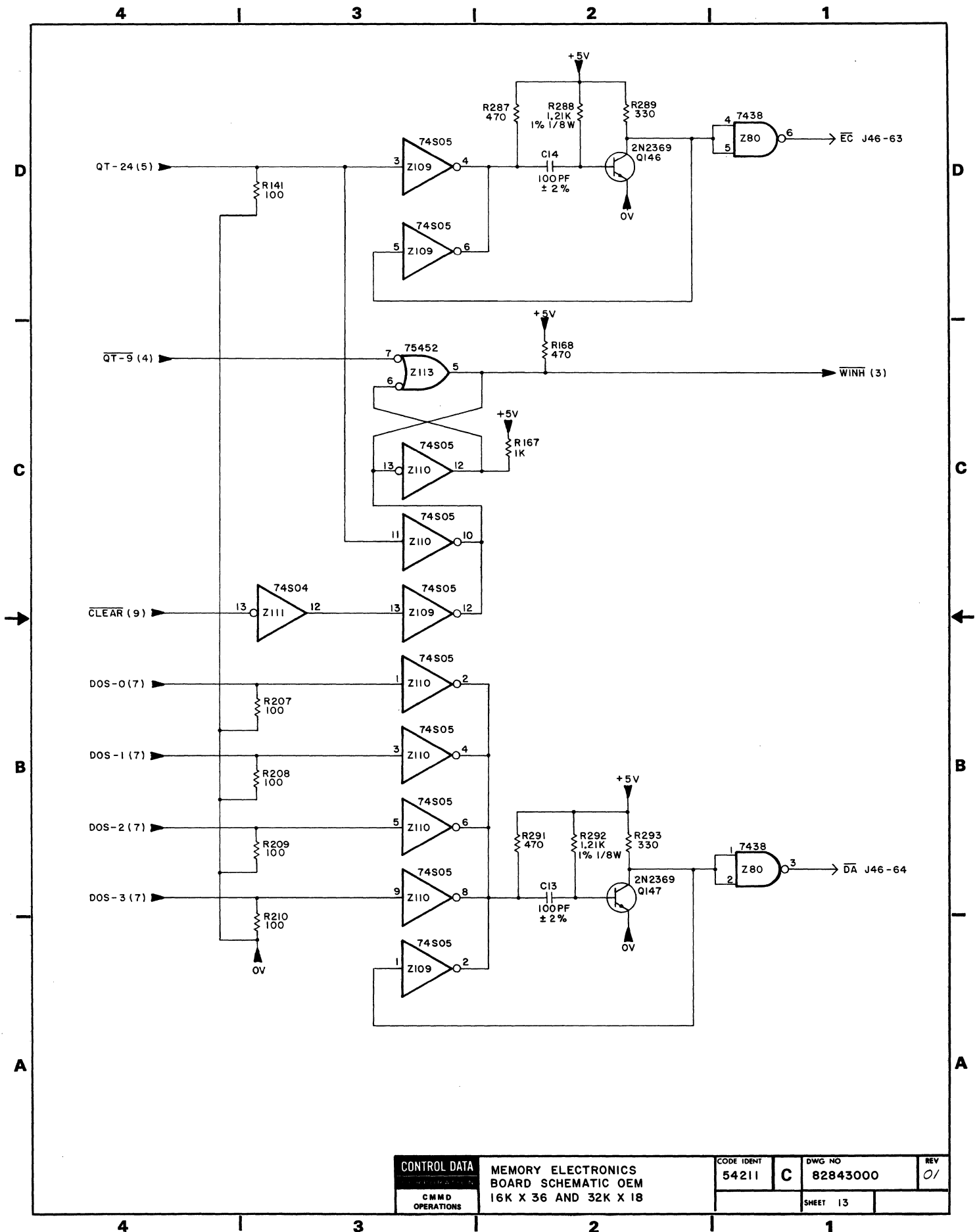
NOTES:

1. R279 AND 284 ARE FACTORY SELECT RESISTORS DETERMINED IN TEST.
2. WHEN J47-58 IS LEFT OPEN, 16K X 36 MEMORY MODULE IS CONFIGURATED AND WHEN J47-58 IS GROUND, 32K X 18 MEMORY MODULE IS CONFIGURATED.

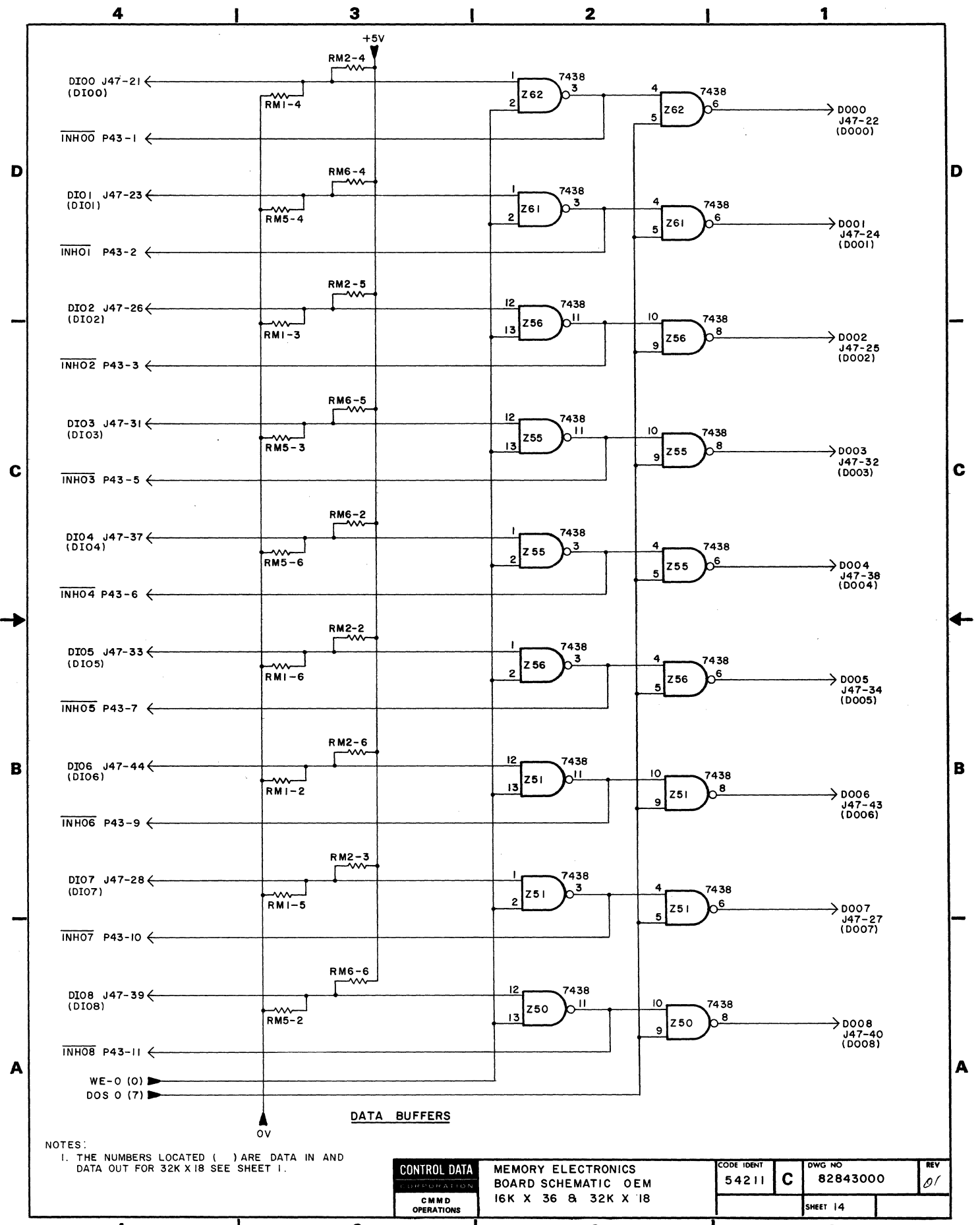
| |
|-----------------|
| CONTROL DATA |
| CMMD OPERATIONS |

MEMORY ELECTRONICS BOARD SCHEMATIC OEM 16K X 36 & 32K X 18

| | | |
|------------|------------|-----|
| CODE IDENT | DWG NO | REV |
| 54211 | C 82843000 | 01 |
| SHEET 12 | | |



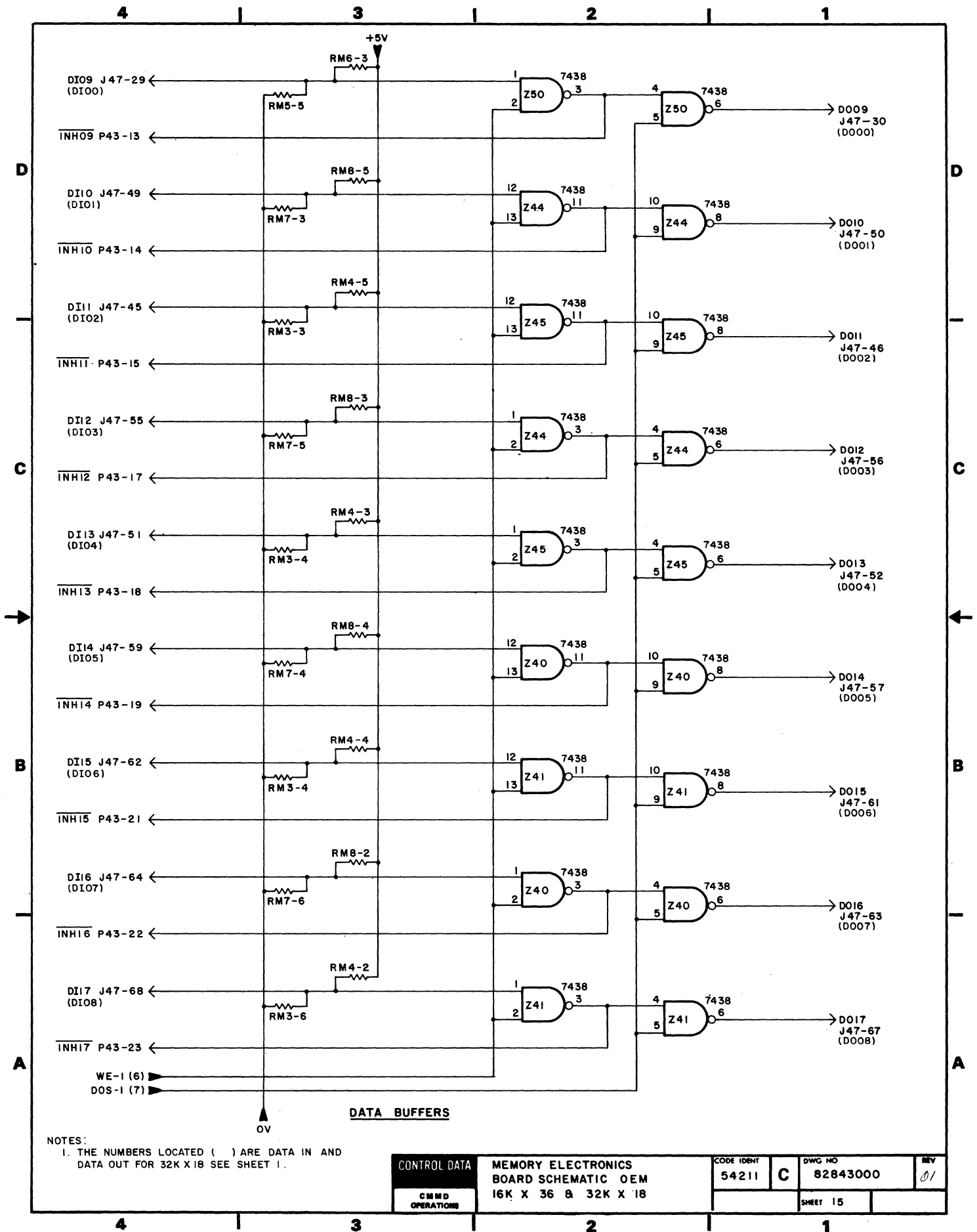
| | | | | | | |
|-----------------------|--|---------------------------|--|------------|------------|-----|
| CONTROL DATA | | MEMORY ELECTRONICS | | CODE IDENT | DWG NO | REV |
| C M M D OPERATIONS | | BOARD SCHEMATIC OEM | | 54211 | C 82843000 | 01 |
| | | 16K X 36 AND 32K X 18 | | SHEET 13 | | |



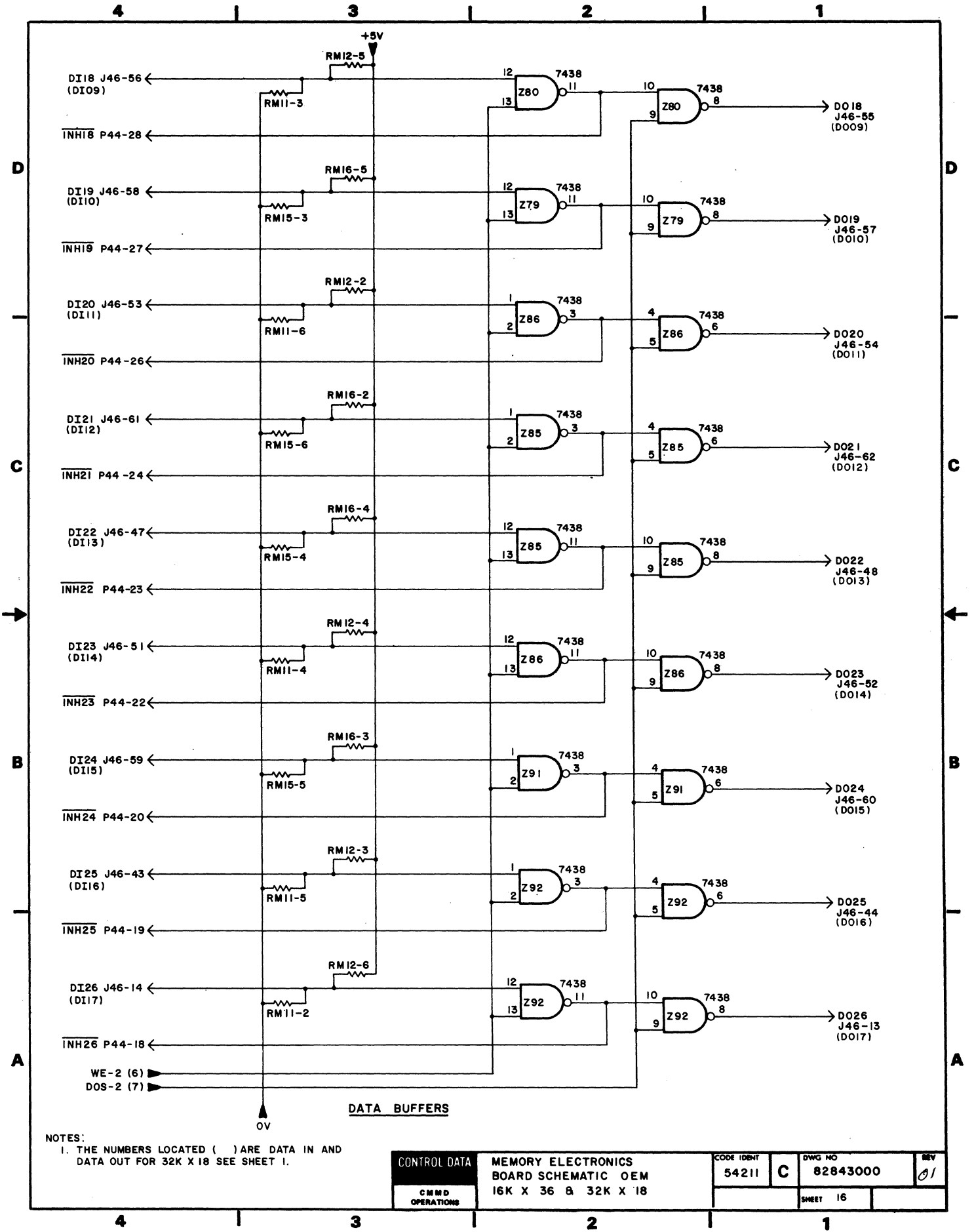
DATA BUFFERS

NOTES:
 1. THE NUMBERS LOCATED () ARE DATA IN AND DATA OUT FOR 32K X 18 SEE SHEET 1.

| | | | | |
|---------------------------|--|------------|------------|-----|
| CONTROL DATA OPERATION | MEMORY ELECTRONICS BOARD SCHEMATIC OEM 16K X 36 & 32K X 18 | CODE IDENT | DWG NO | REV |
| | | 54211 | C 82843000 | 01 |
| CMMD OPERATIONS | | SHEET 14 | | |



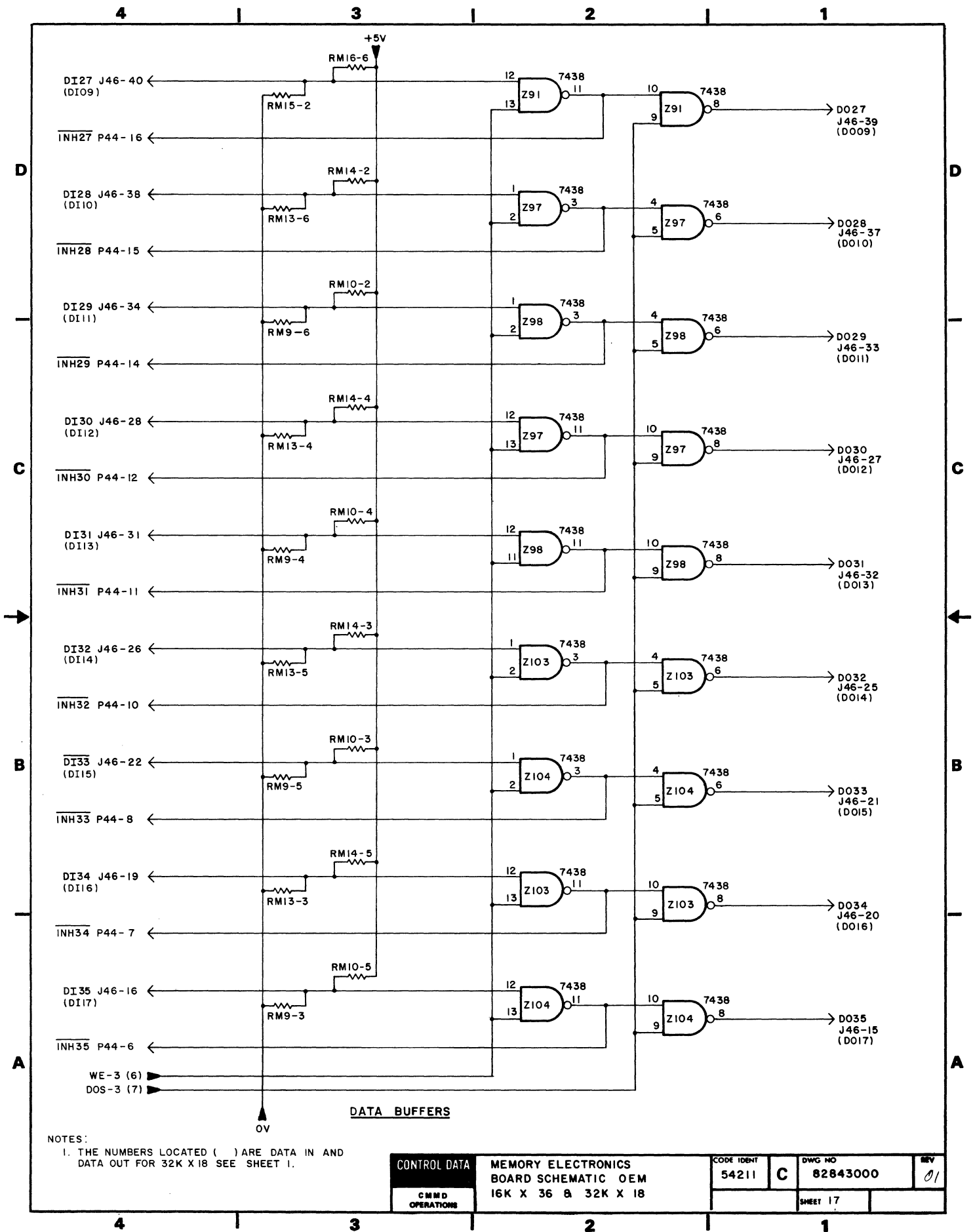
| | | | | | |
|---------------------|---|--|------------|------------|-----|
| CONTROL DATA | MEMORY ELECTRONICS BOARD SCHEMATIC OEM | | CODE IDENT | DWG NO | REV |
| | 16K X 36 & 32K X 18 | | 54211 | C 82843000 | 01 |
| CMD OPERATIONS | | | SHEET 15 | | |



DATA BUFFERS

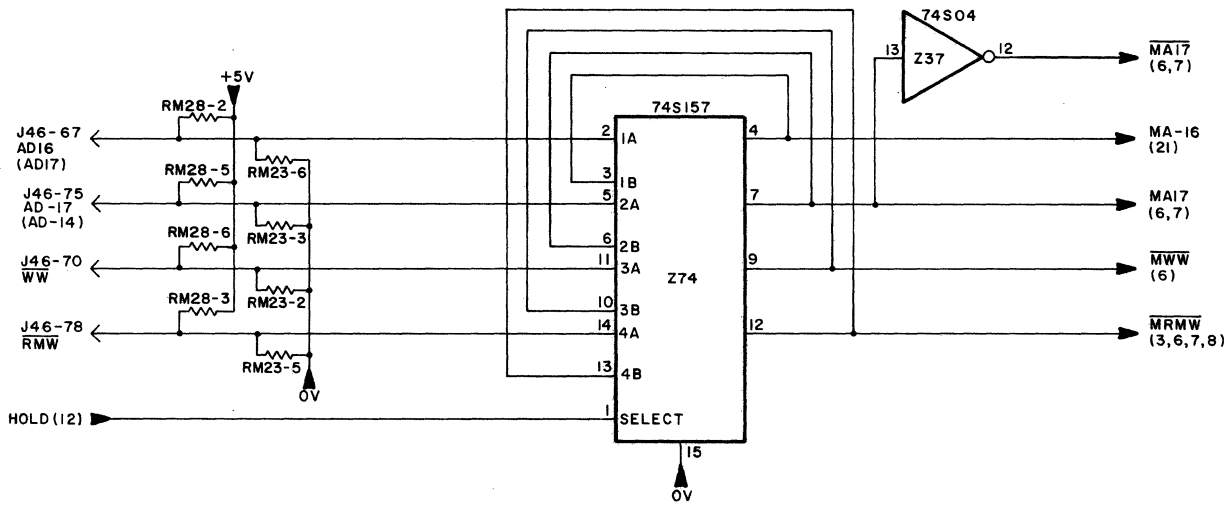
NOTES:
 1. THE NUMBERS LOCATED () ARE DATA IN AND DATA OUT FOR 32K X 18 SEE SHEET 1.

| | | | | | |
|--|--|---------------------|---|--------------------|-----------|
| CONTROL DATA C M M D O P E R A T I O N S | MEMORY ELECTRONICS BOARD SCHEMATIC OEM 16K X 36 & 32K X 18 | CODE IDENT 54211 | C | DWG NO 82843000 | REV 01 |
| | | | | SHEET 16 | |



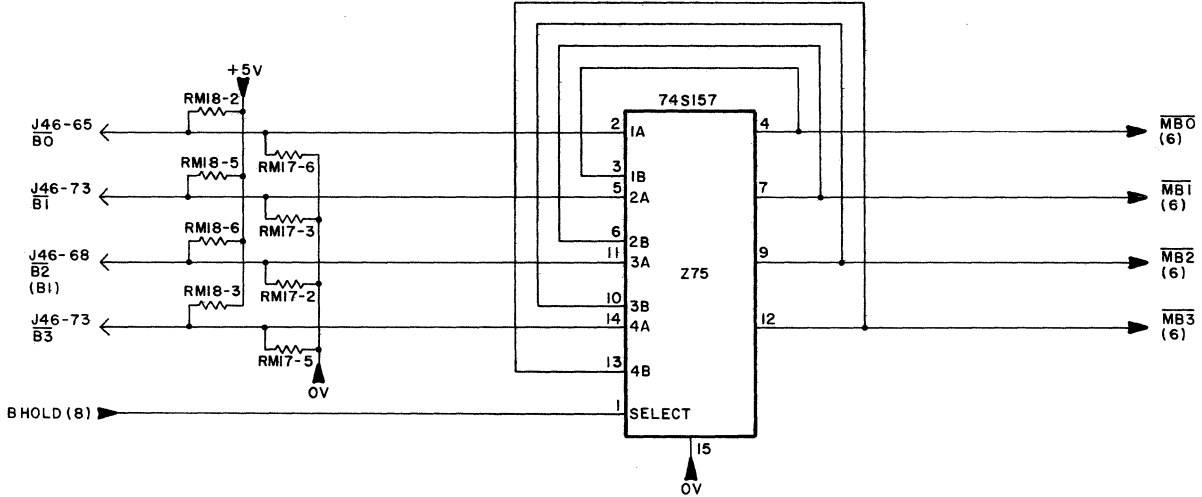
D

D



C

C



B

B

NOTES:

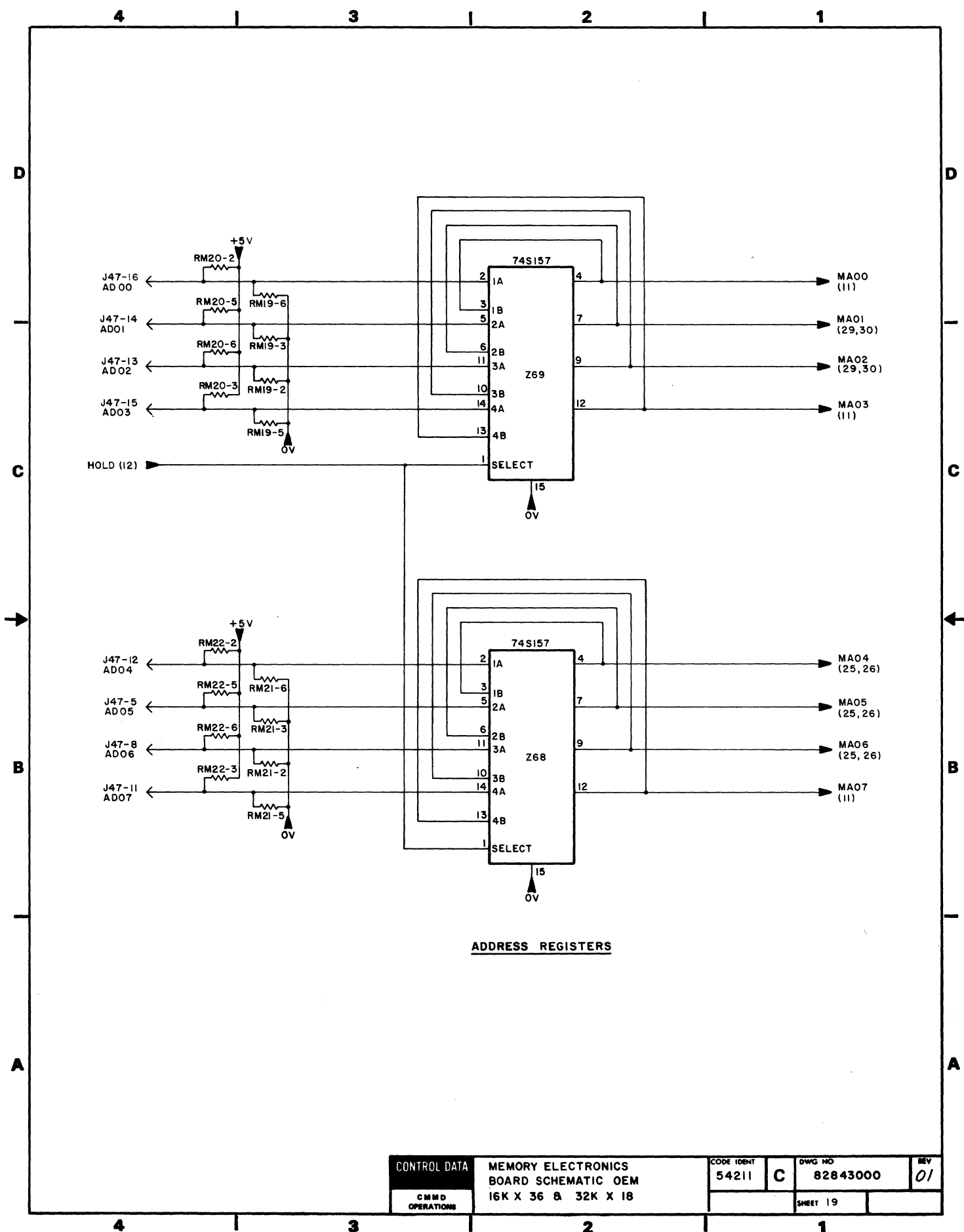
1. IN A 32K X 18 CONFIGURATION ADDRESSES AD -14 -15 -16 WILL SHIFT TO 15-16-17 AND ADDRESS AD -17 WILL BECOME AD-13. AD-17 IS NOT USED IN A 16K X 36 CONFIGURATION.
2. THE () DENOTES THE ADDRESS INPUT TO BE USED IN A 32K X 18 CONFIGURATION.
3. BYTE 2 INPUT BECOMES BYTE 1 IN 32K X 18 CONFIGURATION AND BYTE 1 AND 3 ARE NOT USED. (OPEN)

ADDRESS AND BYTE REGISTERS

A

A

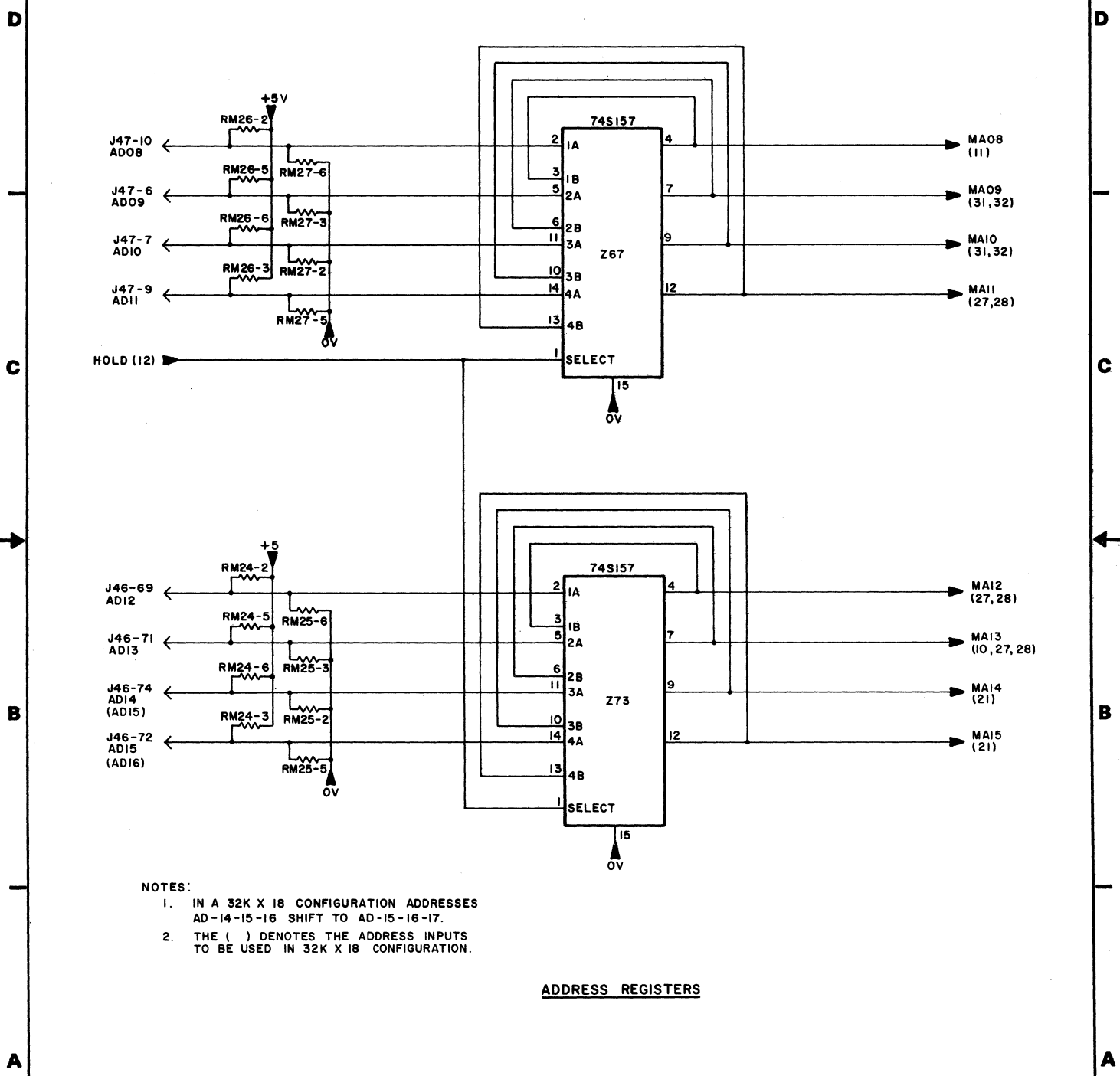
| | | | | | |
|--|--|---------------------|---|--------------------|-----------|
| CONTROL DATA CORPORATION C M M D OPERATIONS | MEMORY ELECTRONICS BOARD SCHEMATIC OEM 16K X 36 & 32K X 18 | CODE IDENT 54211 | C | DWG NO 82843000 | REV 01 |
| | | | | SHEET 18 | |



ADDRESS REGISTERS

| | | | | | |
|-------------------------------------|--|---------------------|---|--------------------|-----------|
| CONTROL DATA CMM D OPERATIONS | MEMORY ELECTRONICS BOARD SCHEMATIC OEM 16K X 36 & 32K X 18 | CODE IDENT 54211 | C | DWG NO 82843000 | REV 01 |
| | | | | SHEET 19 | |

4 | 3 | 2 | 1

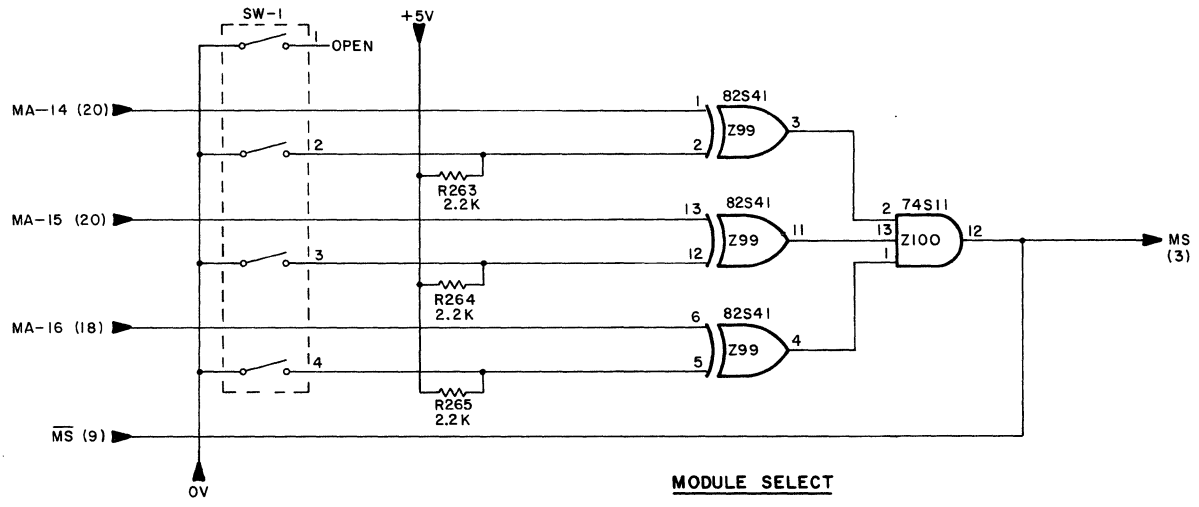
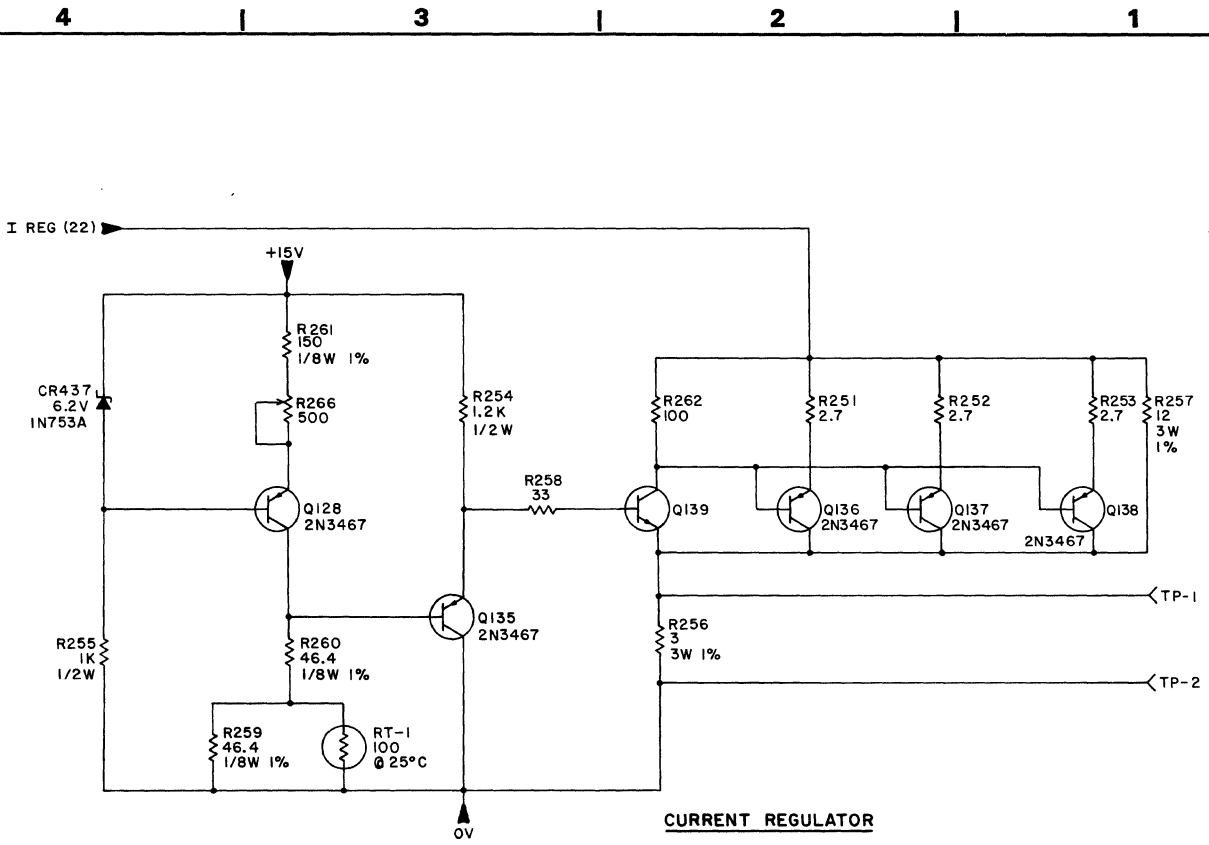


- NOTES:
1. IN A 32K X 18 CONFIGURATION ADDRESSES AD-14-15-16 SHIFT TO AD-15-16-17.
 2. THE () DENOTES THE ADDRESS INPUTS TO BE USED IN 32K X 18 CONFIGURATION.

ADDRESS REGISTERS

| | | | | |
|------------------------------------|--|---------------------|----------------------|-----------|
| CONTROL DATA CMND OPERATIONS | MEMORY ELECTRONICS BOARD SCHEMATIC OEM 16K X 36 & 32K X 18 | CODE IDENT 54211 | DWG NO C 82843000 | REV 01 |
| | | | SHEET 20 | |

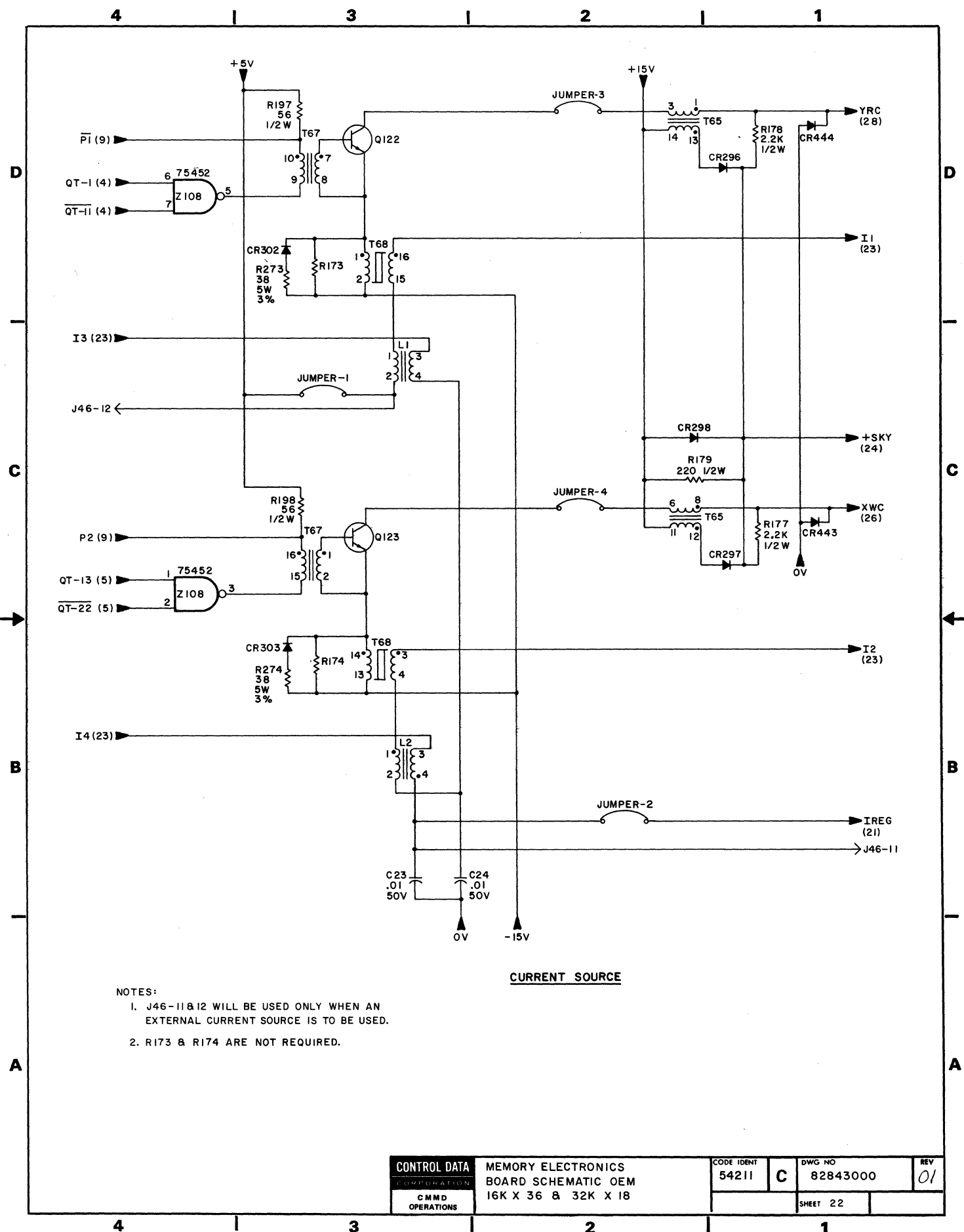
4 | 3 | 2 | 1



| MEMORY SELECT (MS) | POS-2 | POS-3 | POS-4 |
|--------------------|-------|-------|-------|
| 0 | | | |
| 1 | X | | |
| 2 | | X | |
| 3 | X | X | |
| 4 | | | X |
| 5 | X | | X |
| 6 | | X | X |
| 7 | X | X | X |

X = CLOSED SWITCH
 WHEN AD 14-15-16 ARE LEFT OPEN
 MS-7 MUST BE USED.

| | | | | | |
|---|---|---------------------|----------|--------------------|-----------|
| CONTROL DATA CORPORATION COMMUNICATIONS OPERATIONS | MEMORY ELECTRONICS BOARD SCHEMATIC OEM 16K X 36 & 32K X 18 | CODE IDENT 54211 | C | DWG NO 82843000 | REV 01 |
| | | | SHEET 21 | | |

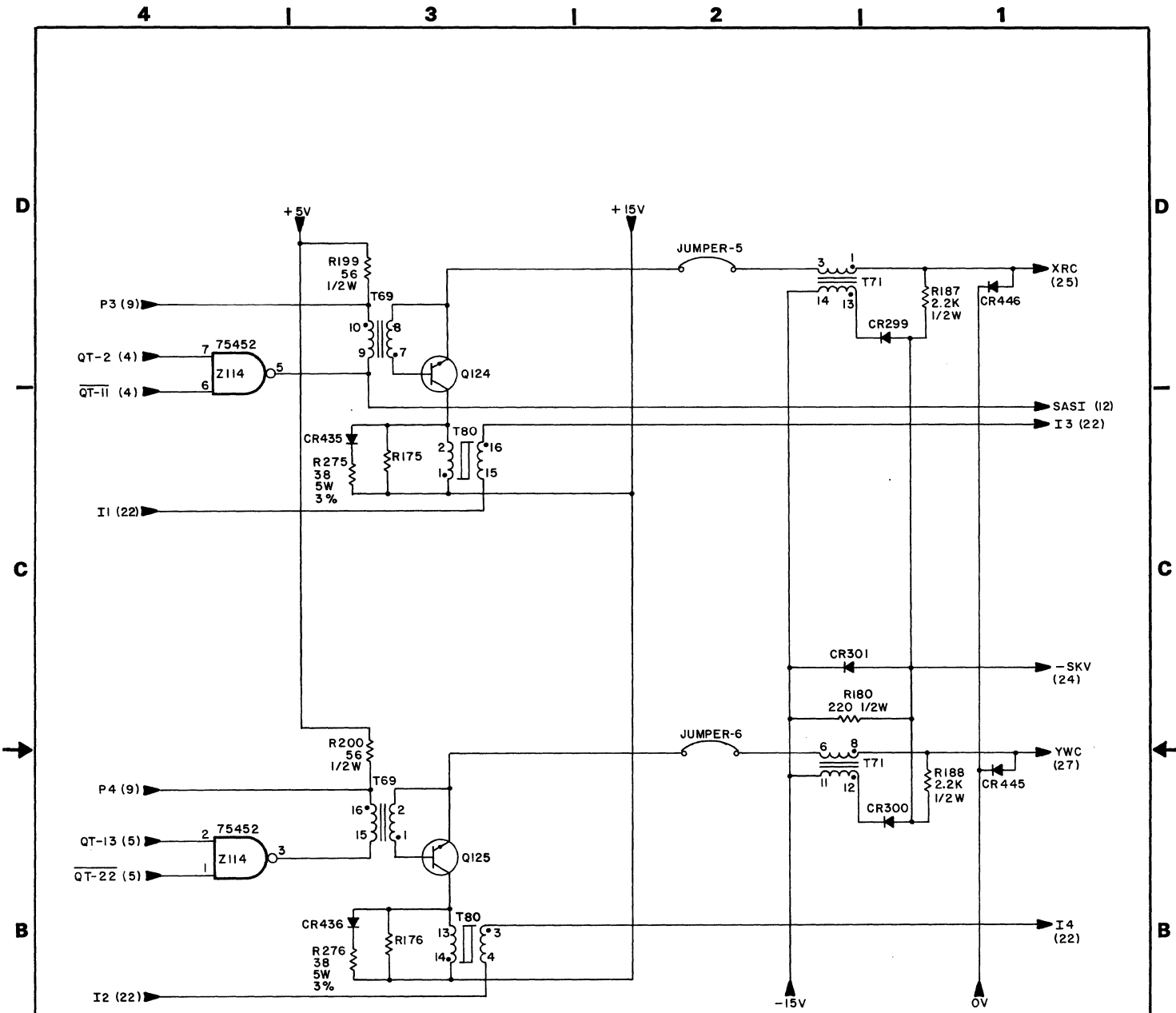


NOTES:

1. J46-11 & 12 WILL BE USED ONLY WHEN AN EXTERNAL CURRENT SOURCE IS TO BE USED.
2. R173 & R174 ARE NOT REQUIRED.

CURRENT SOURCE

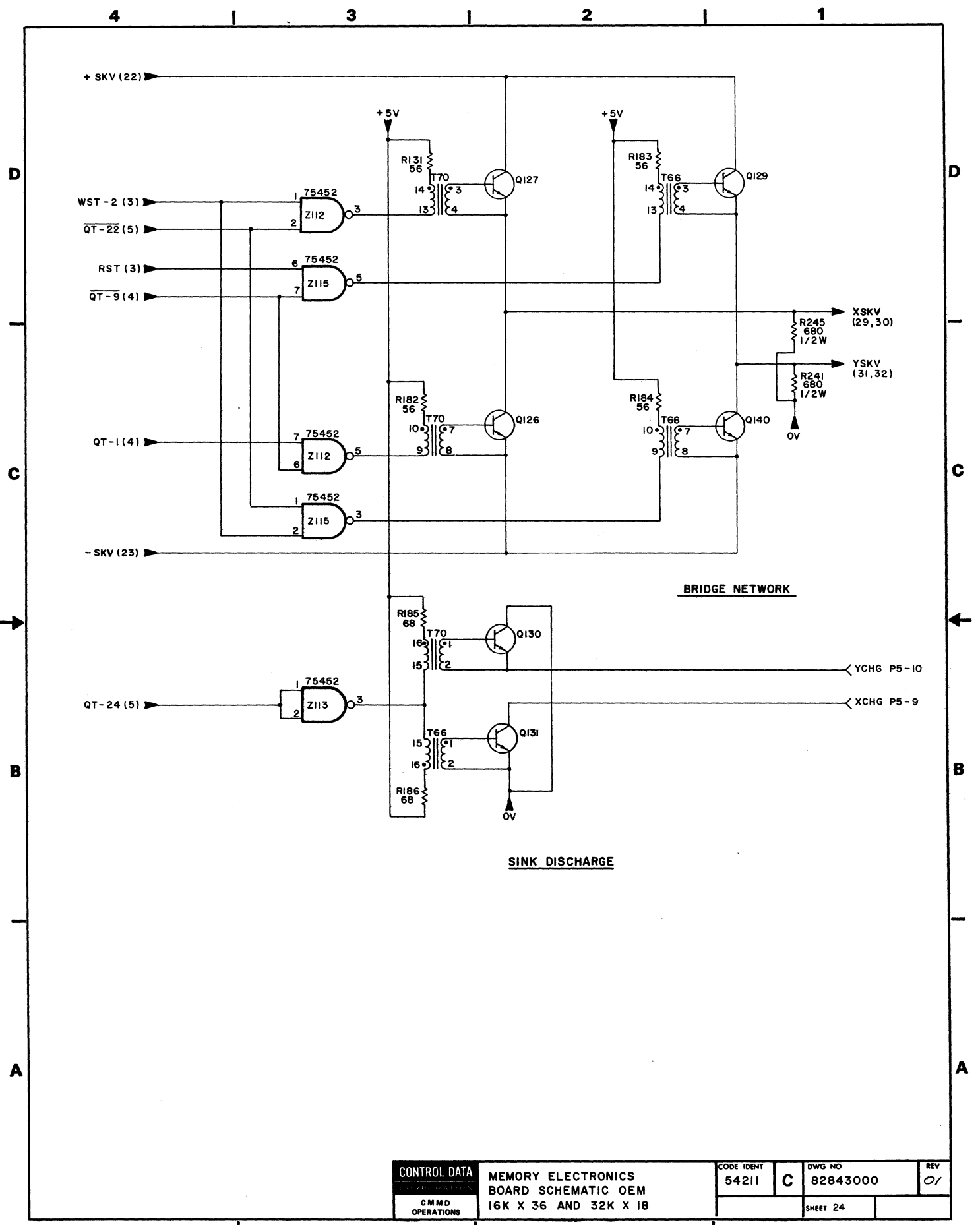
| | | | | |
|--|--|---------------------|----------------------|-----------|
| CONTROL DATA CORPORATION C M M D OPERATIONS | MEMORY ELECTRONICS BOARD SCHEMATIC OEM 16K X 36 & 32K X 18 | CODE IDENT 54211 | DWG NO C 82843000 | REV 01 |
| | | | SHEET 22 | |



CURRENT SOURCE

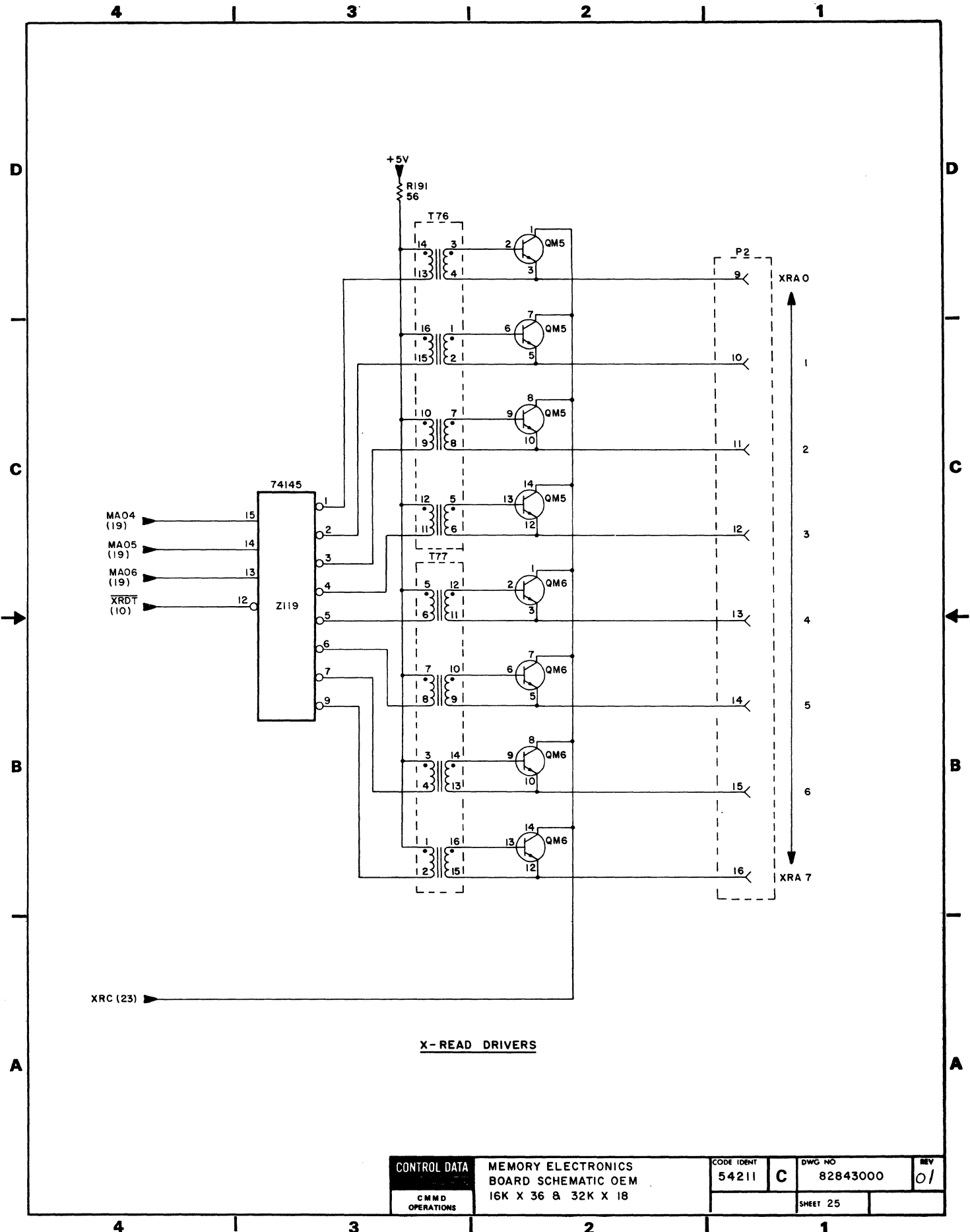
NOTES:
 1. R175 AND R176 ARE NOT REQUIRED.

| | | | | | |
|--|--|---------------------|----------|--------------------|-----------|
| CONTROL DATA CORPORATION C M M D OPERATIONS | MEMORY ELECTRONICS BOARD SCHEMATIC OEM 16K X 36 & 32K X 18 | CODE IDENT 54211 | C | DWG NO 82843000 | REV 01 |
| | | | SHEET 23 | | |



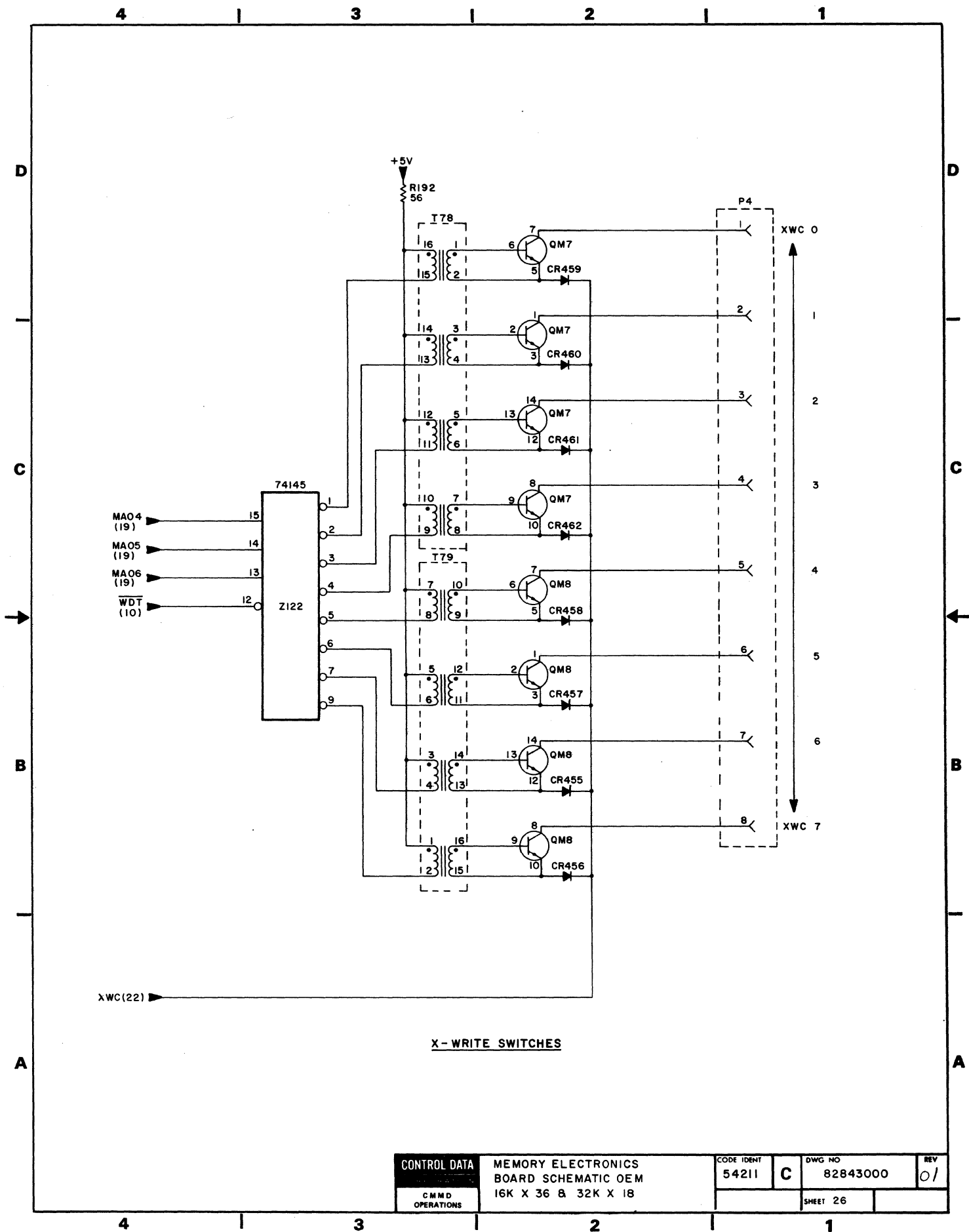
CONTROL DATA
 MEMORY ELECTRONICS
 BOARD SCHEMATIC OEM
 16K X 36 AND 32K X 18
 C M M D
 OPERATIONS

| | | |
|---------------------|----------------------|-----------|
| CODE IDENT 54211 | DWG NO C 82843000 | REV 01 |
| SHEET 24 | | |



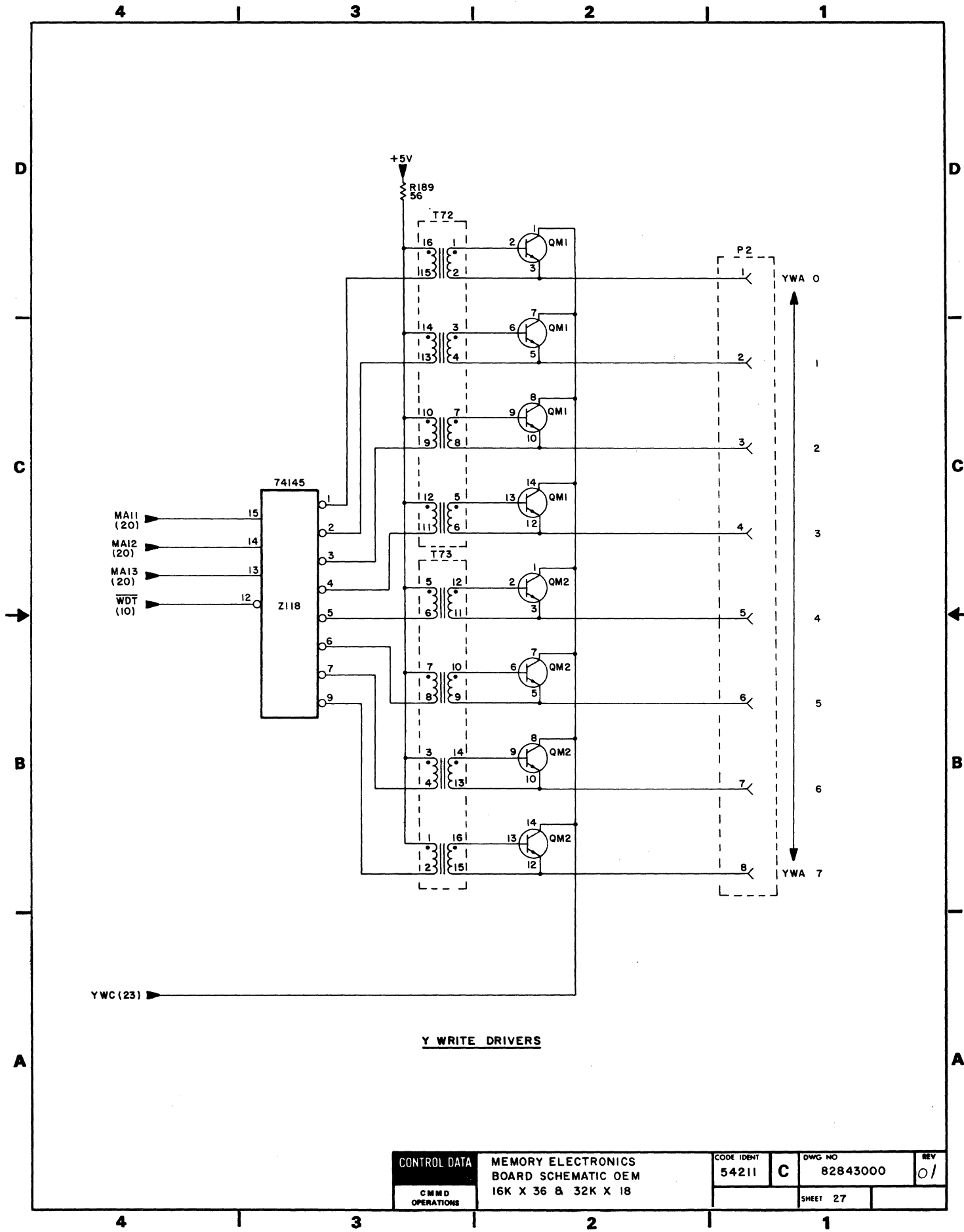
X-READ DRIVERS

| | | | | | |
|---------------------------------------|--|---------------------|---|--------------------|-----------|
| CONTROL DATA C M M D OPERATIONS | MEMORY ELECTRONICS BOARD SCHEMATIC OEM 16K X 36 & 32K X 18 | CODE IDENT 54211 | C | DWG NO 82843000 | REV 01 |
| | | | | SHEET 25 | |



X-WRITE SWITCHES

| | | | | |
|---------------------------------|--|---------------------|--------------------|-----------|
| CONTROL DATA CMMD OPERATIONS | MEMORY ELECTRONICS BOARD SCHEMATIC OEM 16K X 36 & 32K X 18 | CODE IDENT 54211 | DWG NO 82843000 | REV 01 |
| | | | SHEET 26 | |



Y WRITE DRIVERS

CONTROL DATA

MEMORY ELECTRONICS
BOARD SCHEMATIC OEM
16K X 36 & 32K X 18

CODE IDENT
54211

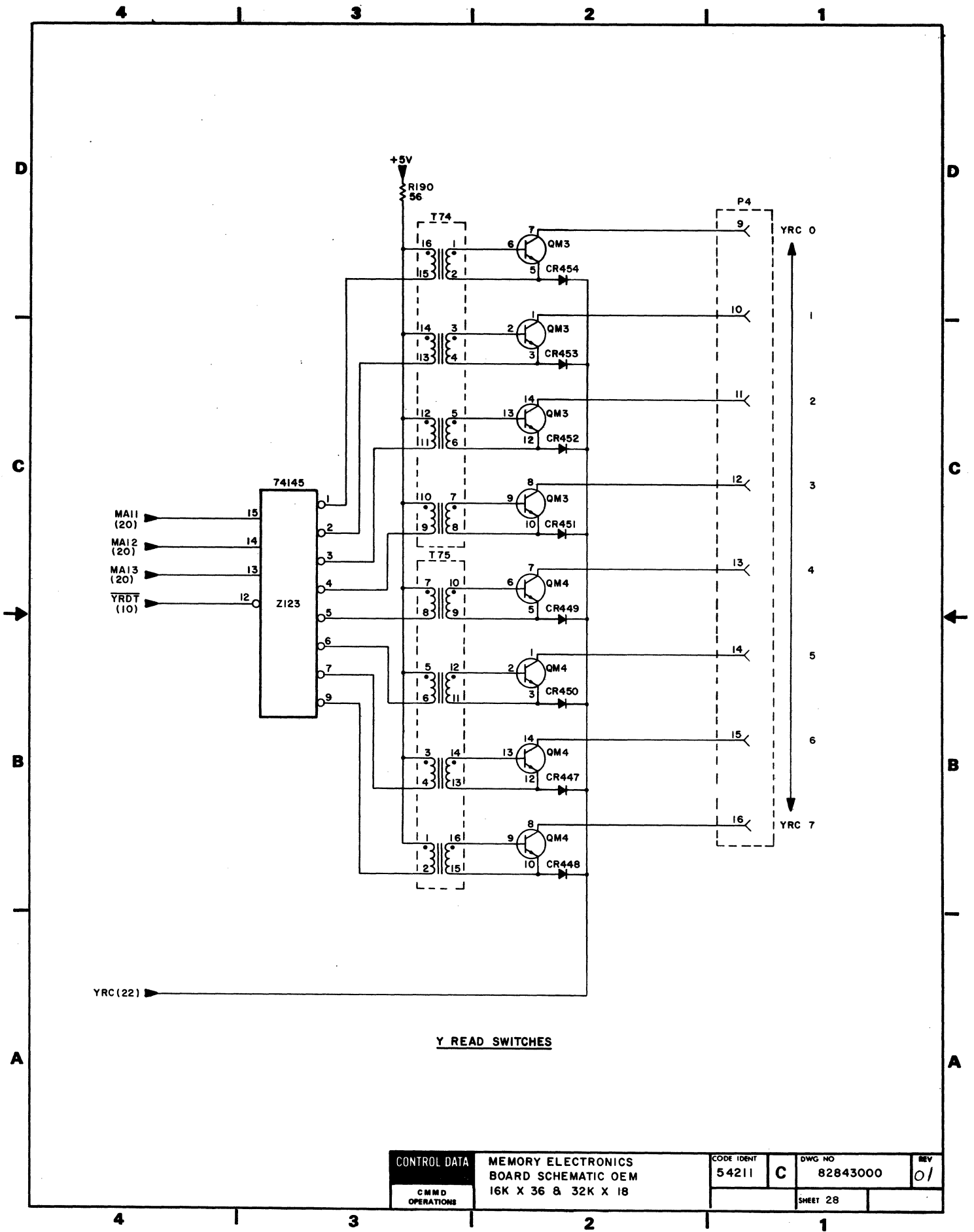
C

DWG NO
82843000

REV
01

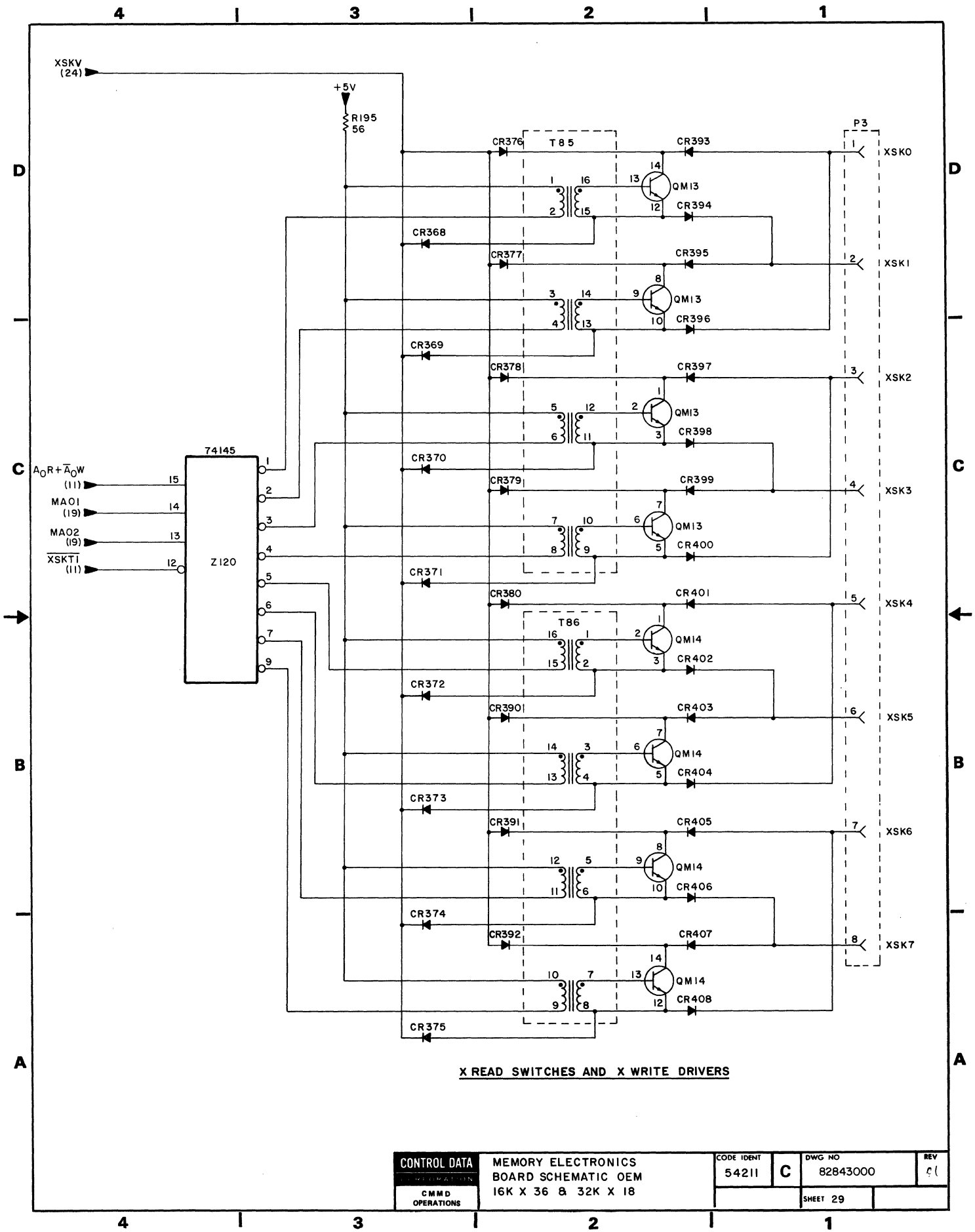
CMND
OPERATIONS

SHEET 27

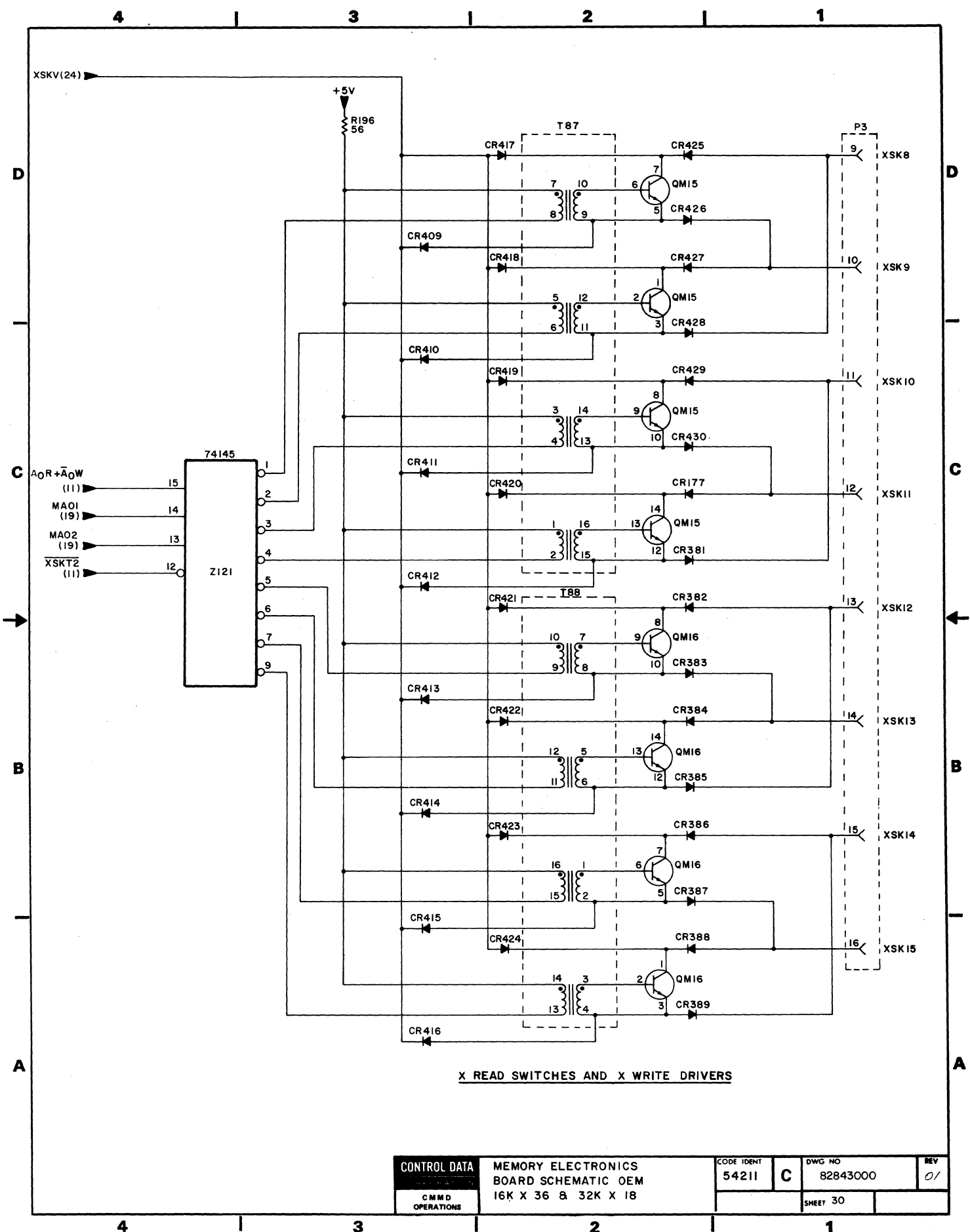


Y READ SWITCHES

| | | | | | |
|-----------------|--|--|------------|------------|-----|
| CONTROL DATA | MEMORY ELECTRONICS BOARD SCHEMATIC OEM | | CODE IDENT | DWG NO | REV |
| | 16K X 36 & 32K X 18 | | 54211 | C 82843000 | 01 |
| CMND OPERATIONS | | | SHEET 28 | | |

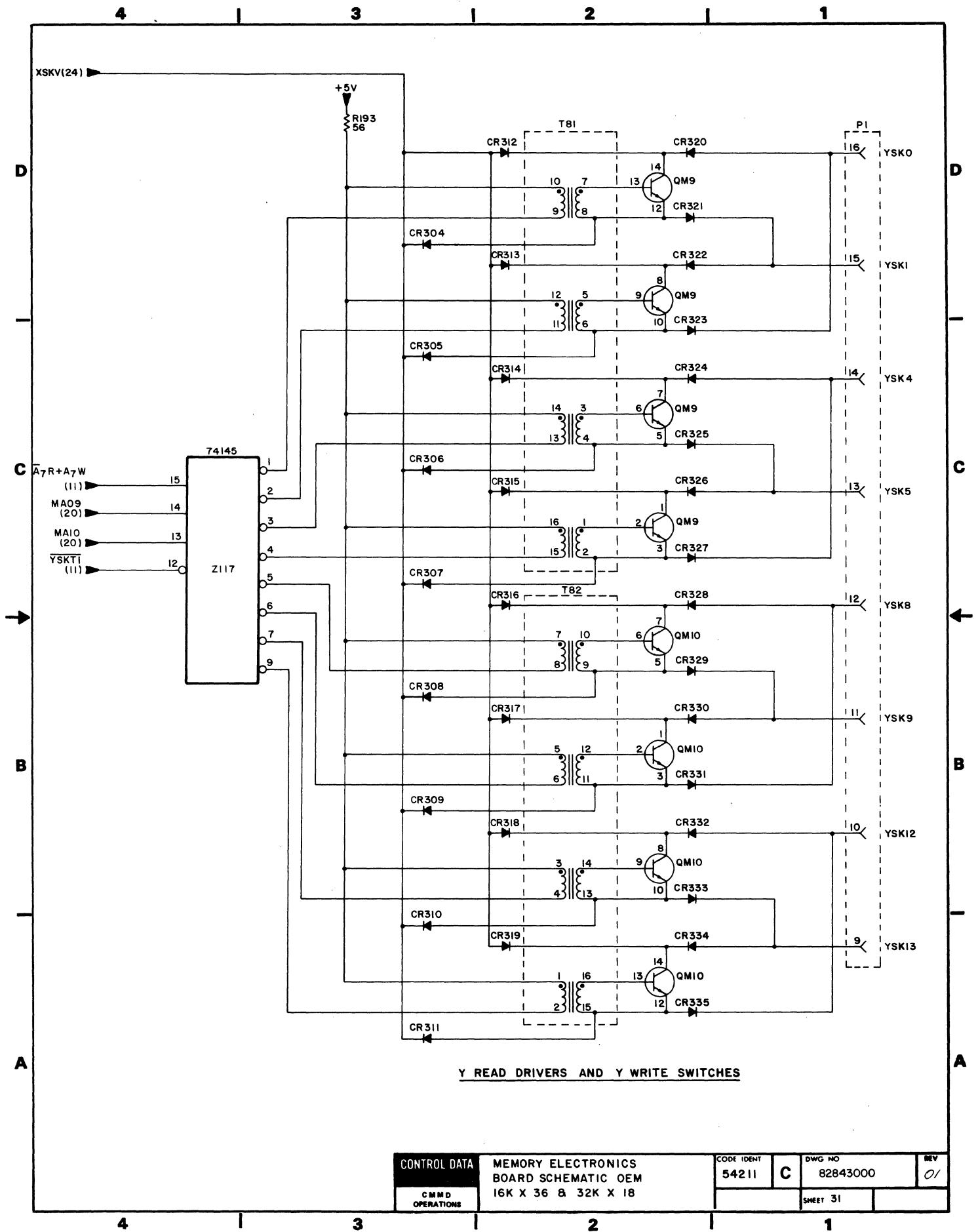


| | | | | |
|---------------------------|--|------------|------------|-----|
| CONTROL DATA OPERATION | MEMORY ELECTRONICS BOARD SCHEMATIC OEM 16K X 36 & 32K X 18 | CODE IDENT | DWG NO | REV |
| | | 54211 | C 82843000 | el |
| | | SHEET 29 | | |

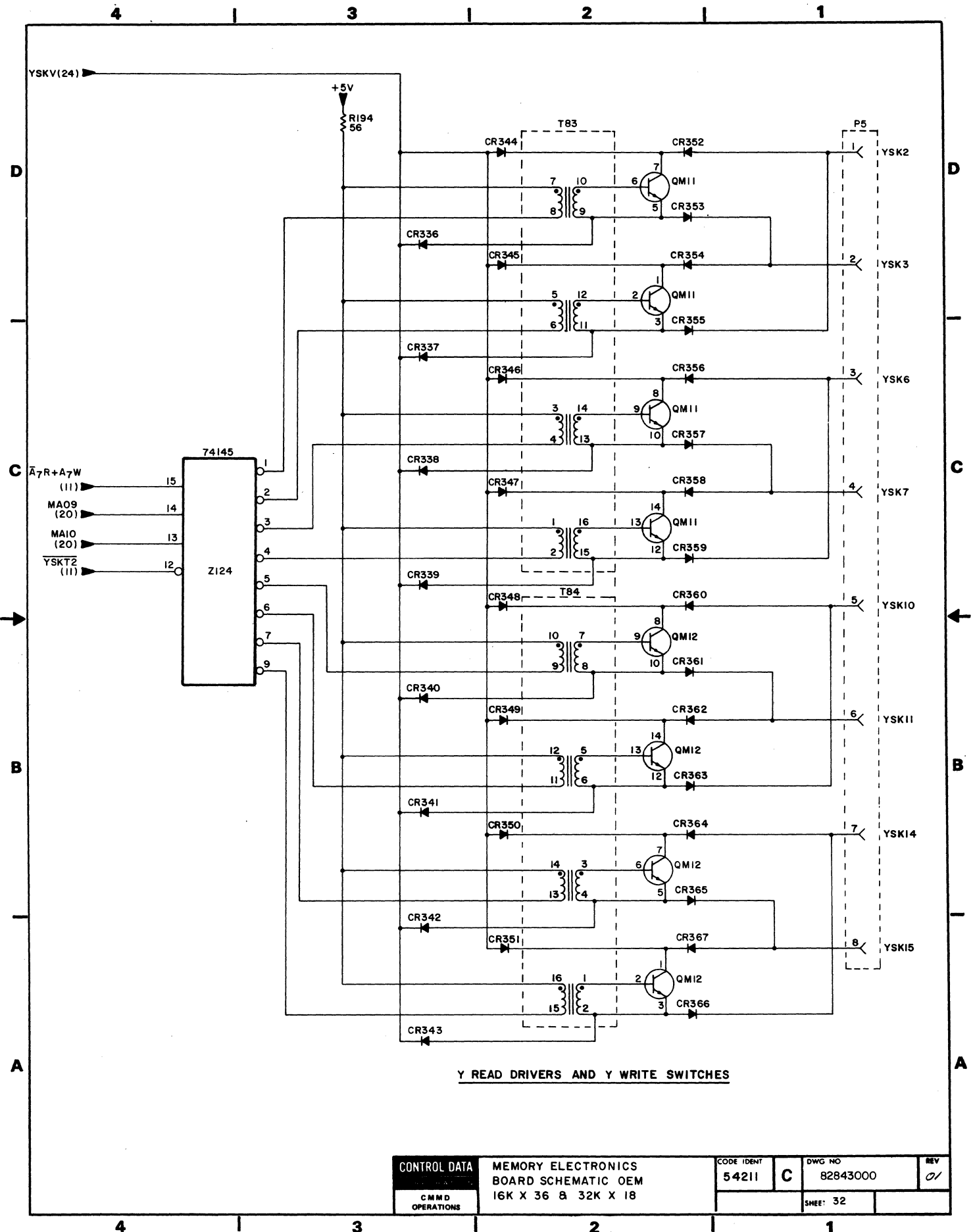


X READ SWITCHES AND X WRITE DRIVERS

| | | | | | |
|---------------------------------------|--|---------------------|---|--------------------|-----------|
| CONTROL DATA C M M D OPERATIONS | MEMORY ELECTRONICS BOARD SCHEMATIC OEM 16K X 36 & 32K X 18 | CODE IDENT 54211 | C | DWG NO 82843000 | REV 01 |
| | | | | SHEET 30 | |

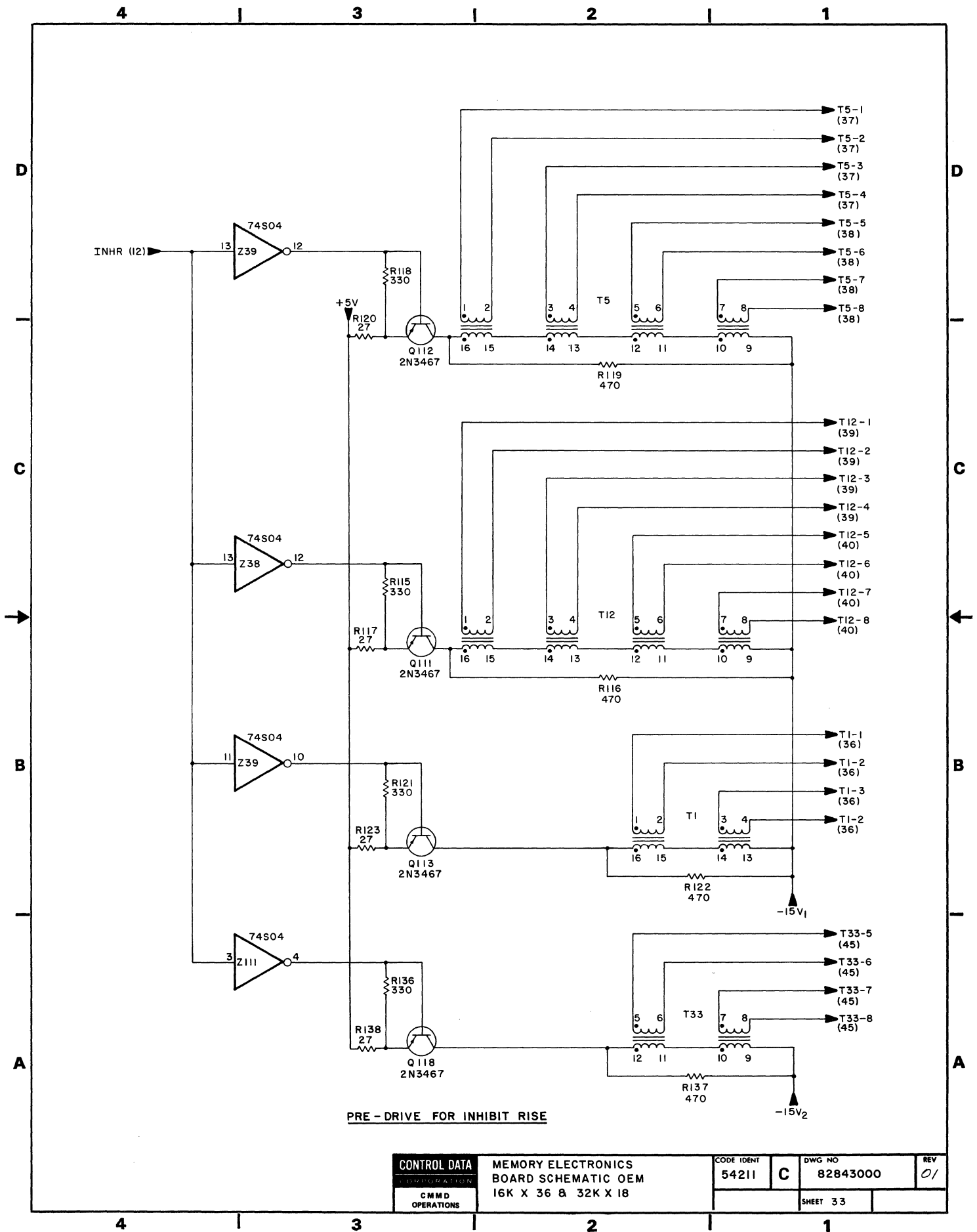


| | | | | | | |
|--|--|--|---------------------|----------|--------------------|-----------|
| CONTROL DATA C M M D O P E R A T I O N S | MEMORY ELECTRONICS BOARD SCHEMATIC OEM 16K X 36 & 32K X 18 | | CODE IDENT 54211 | C | DWG NO 82843000 | REV 01 |
| | | | | SHEET 31 | | |



Y READ DRIVERS AND Y WRITE SWITCHES

| | | | | |
|-----------------------|--|------------|------------|-----|
| CONTROL DATA | MEMORY ELECTRONICS BOARD SCHEMATIC OEM 16K X 36 & 32K X 18 | CODE IDENT | DWG NO | REV |
| | | 54211 | C 82843000 | 0/ |
| C M M D OPERATIONS | | SHEET: 32 | | |



CONTROL DATA

MEMORATION
C M M D
OPERATIONS

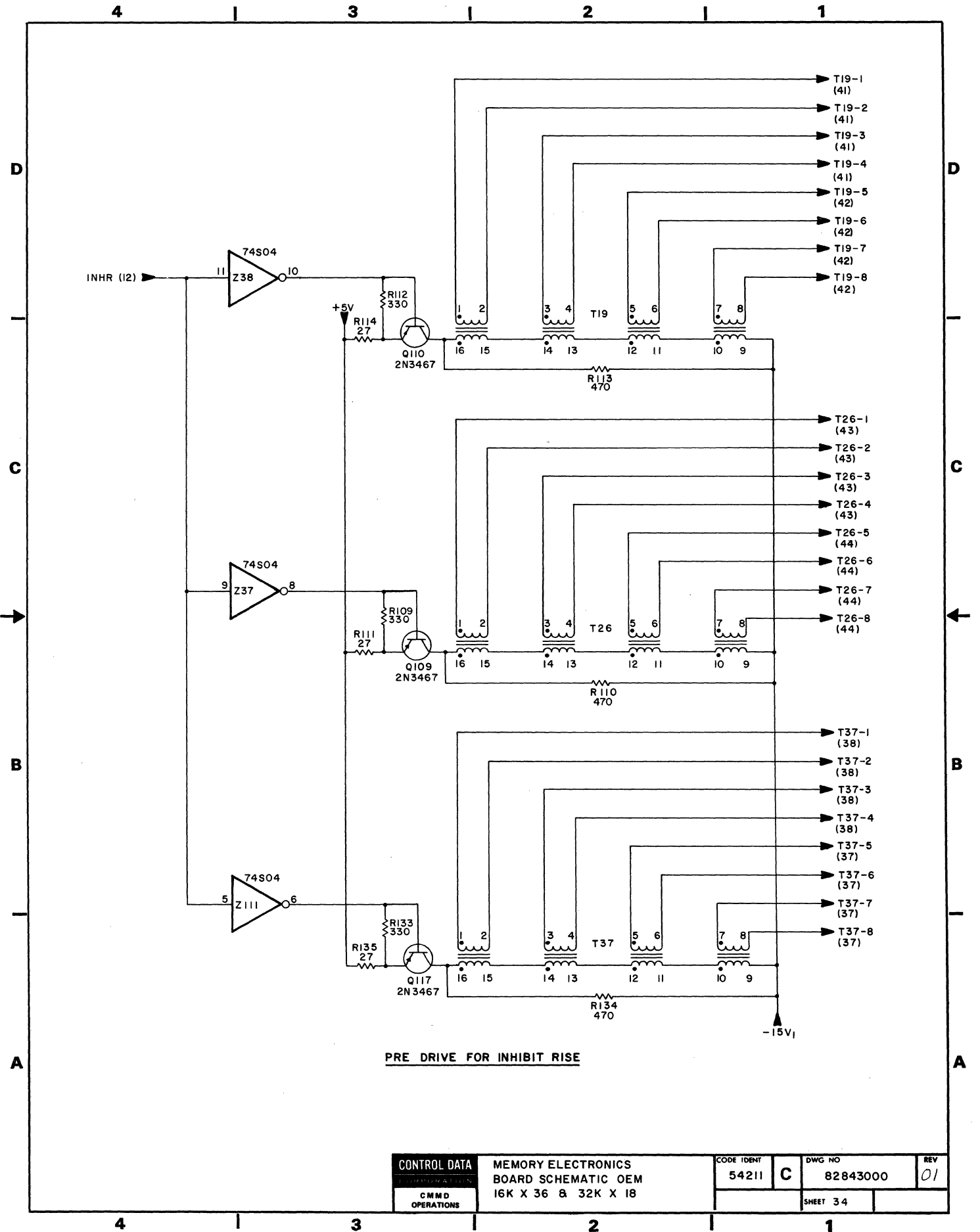
**MEMORY ELECTRONICS
BOARD SCHEMATIC OEM
16K X 36 & 32K X 18**

CODE IDENT
54211

DWG NO
C 82843000

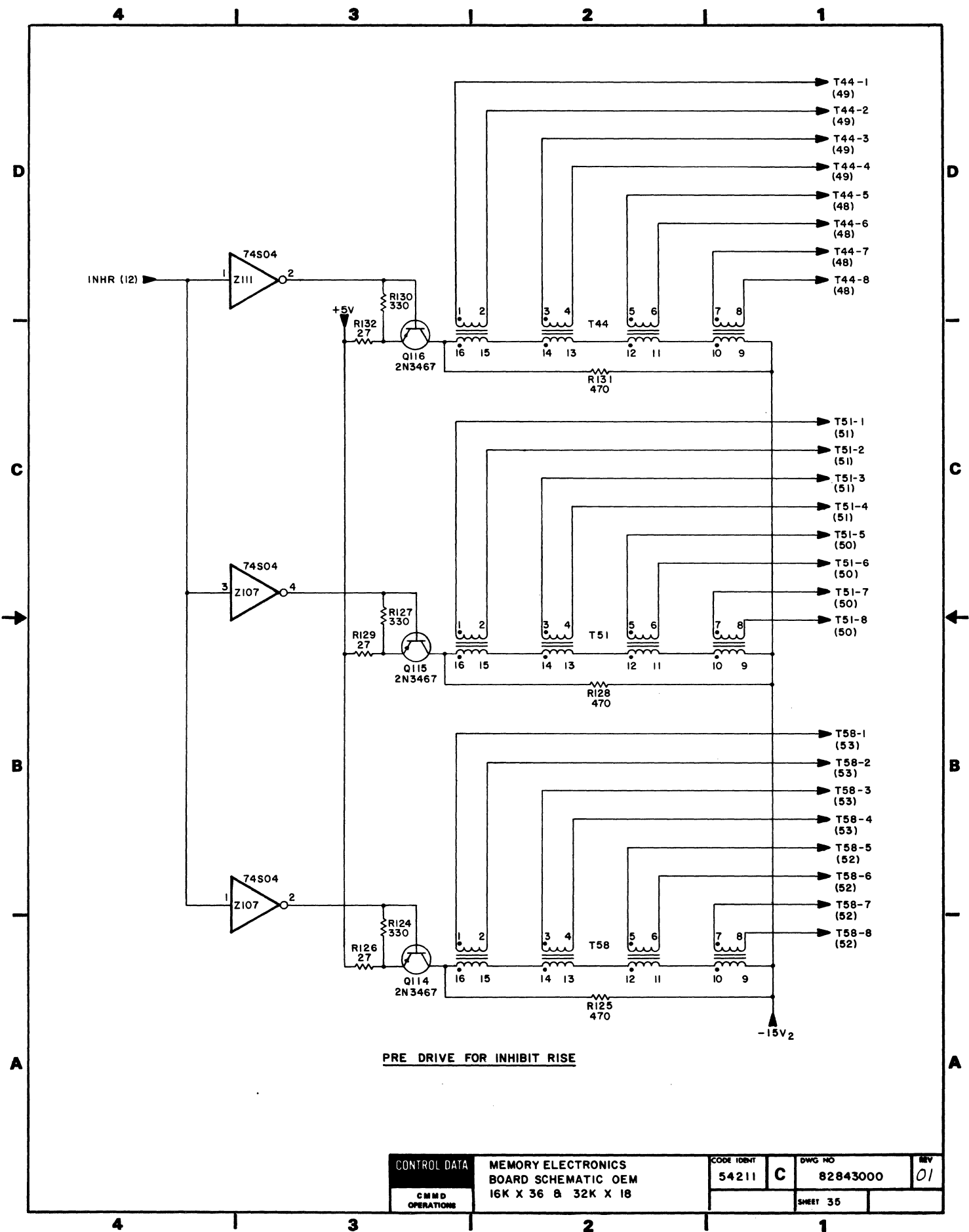
REV
01

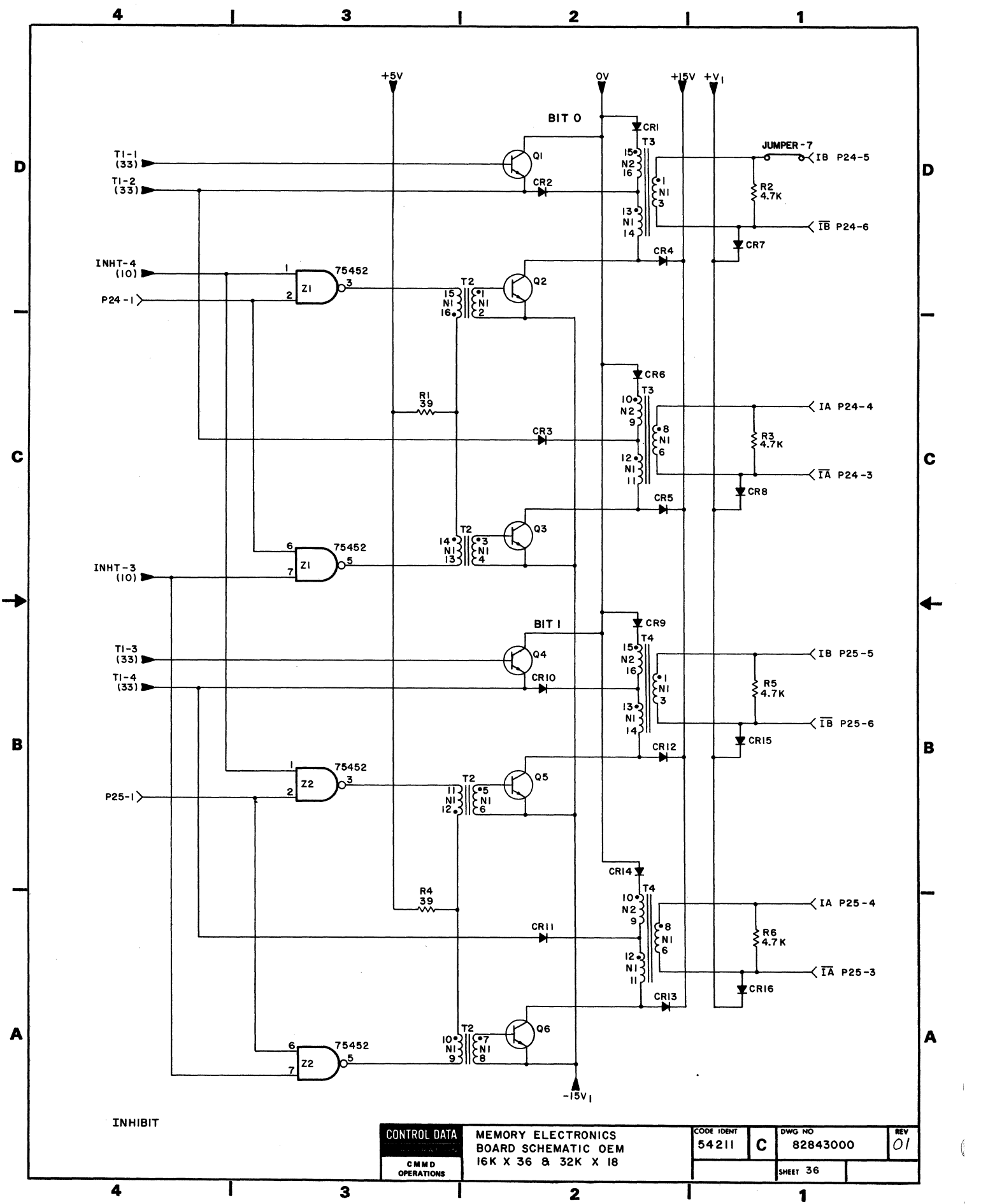
SHEET 33



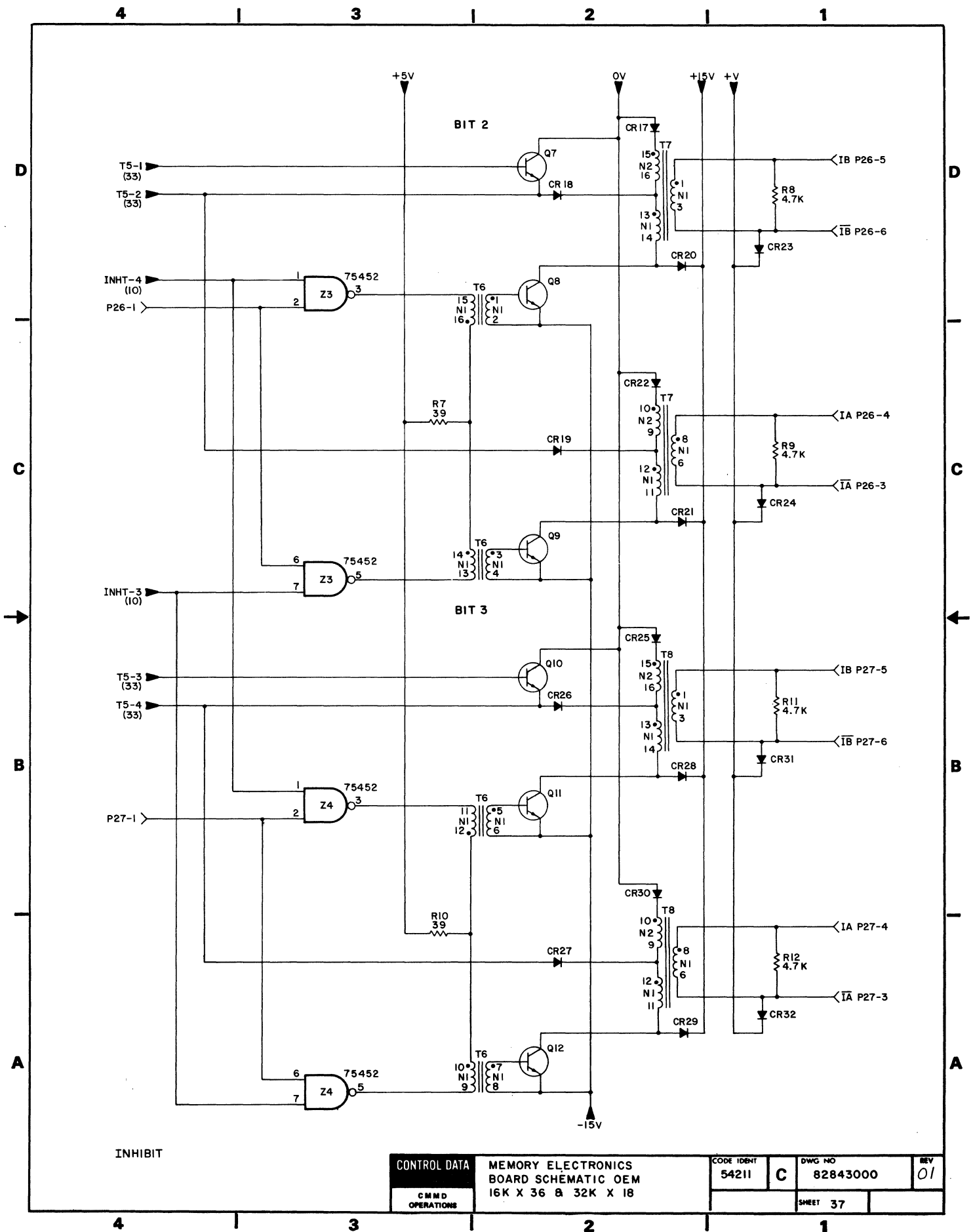
PRE DRIVE FOR INHIBIT RISE

| | | | | | |
|------------------------------------|--|---------------------|----------|--------------------|-----------|
| CONTROL DATA CMRD OPERATIONS | MEMORY ELECTRONICS BOARD SCHEMATIC OEM 16K X 36 & 32K X 18 | CODE IDENT 54211 | C | DWG NO 82843000 | REV 01 |
| | | | SHEET 34 | | |





| | | | | |
|---------------------------------------|--|---------------------|----------------------|-----------|
| CONTROL DATA C M M D OPERATIONS | MEMORY ELECTRONICS BOARD SCHEMATIC OEM 16K X 36 & 32K X 18 | CODE IDENT 54211 | DWG NO C 82843000 | REV 01 |
| | SHEET 36 | | | |



CONTROL DATA
C M M D
OPERATIONS

MEMORY ELECTRONICS
BOARD SCHEMATIC OEM
16K X 36 & 32K X 18

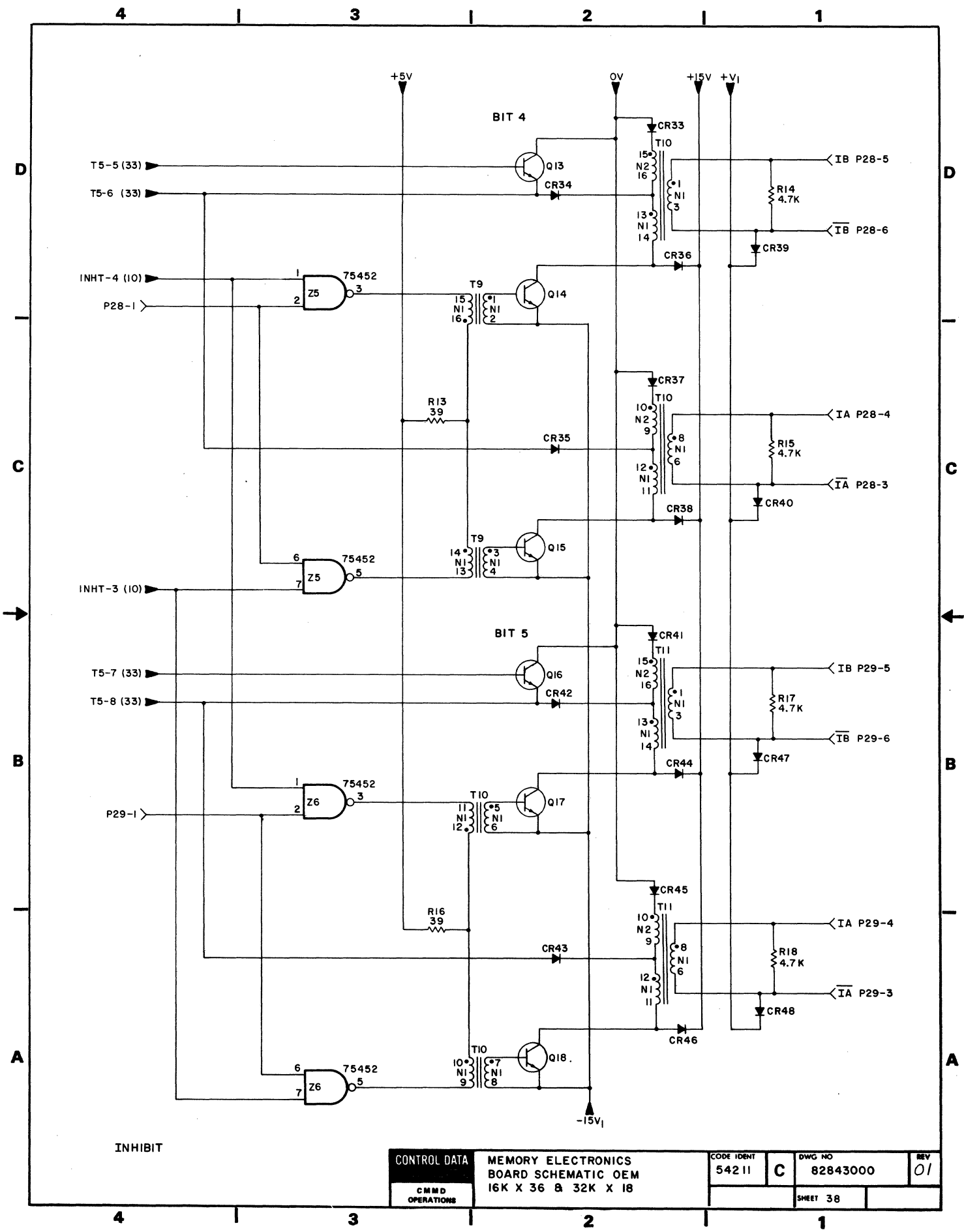
CODE IDENT
54211

C

DWG NO
82843000

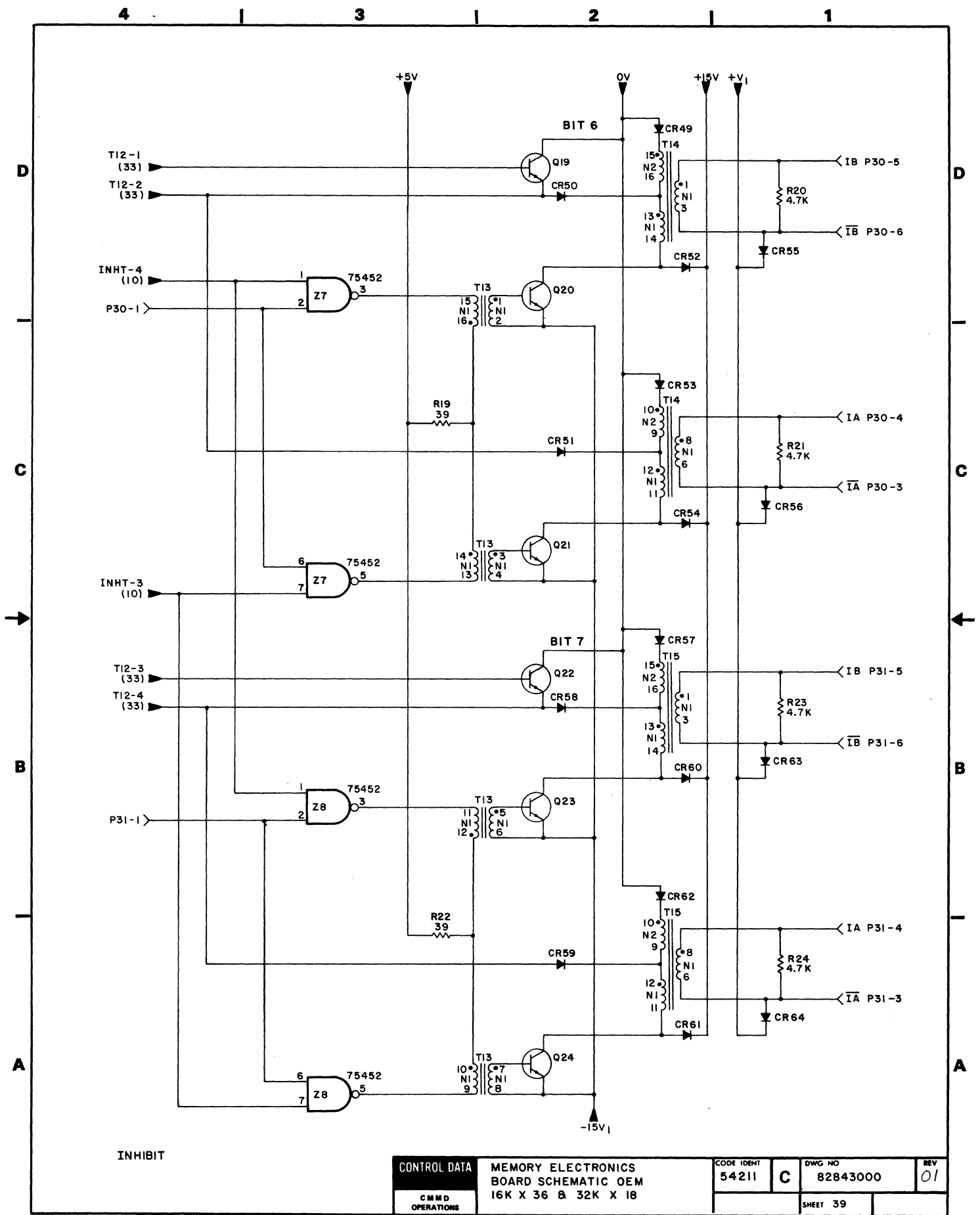
REV
01

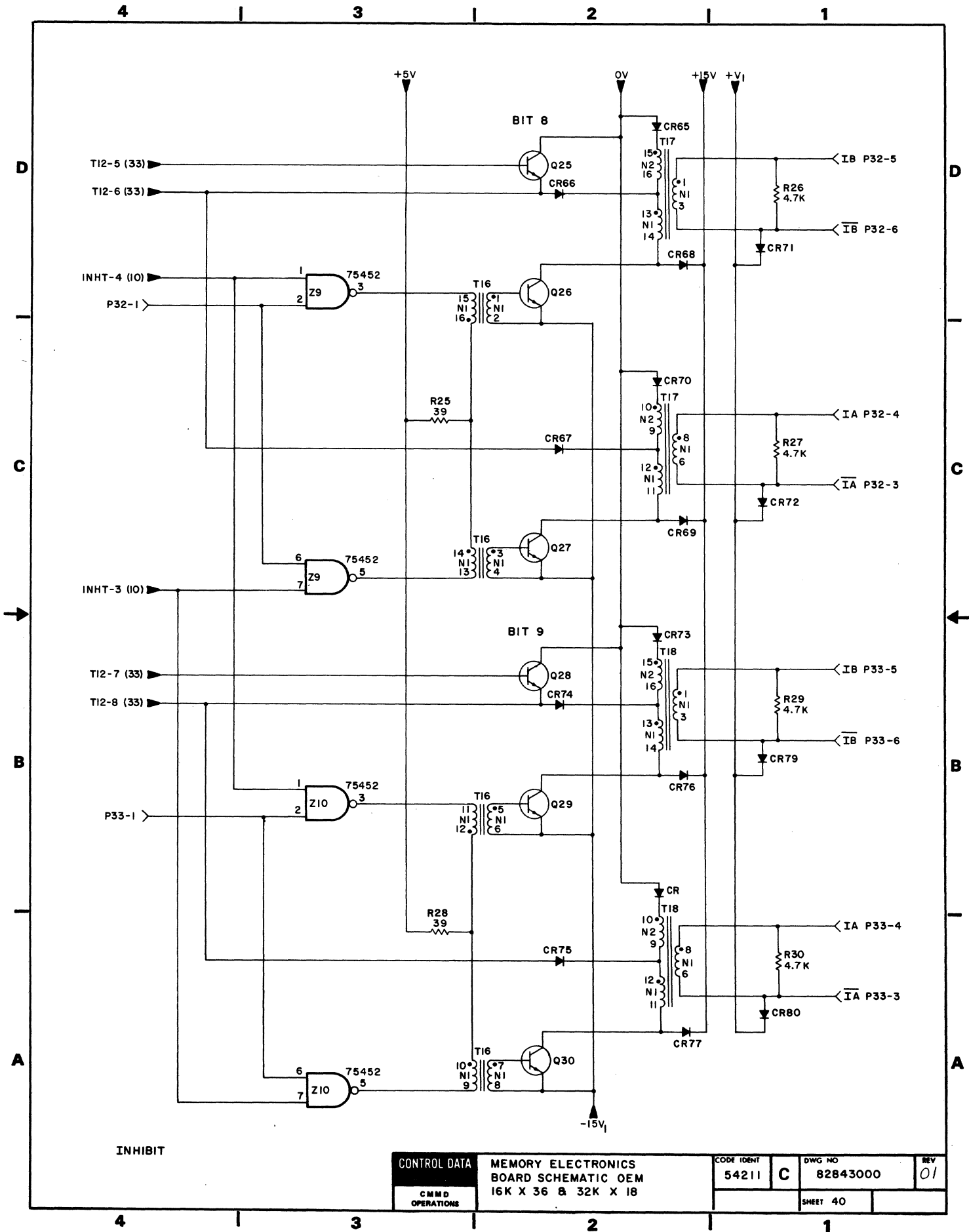
SHEET 37



INHIBIT

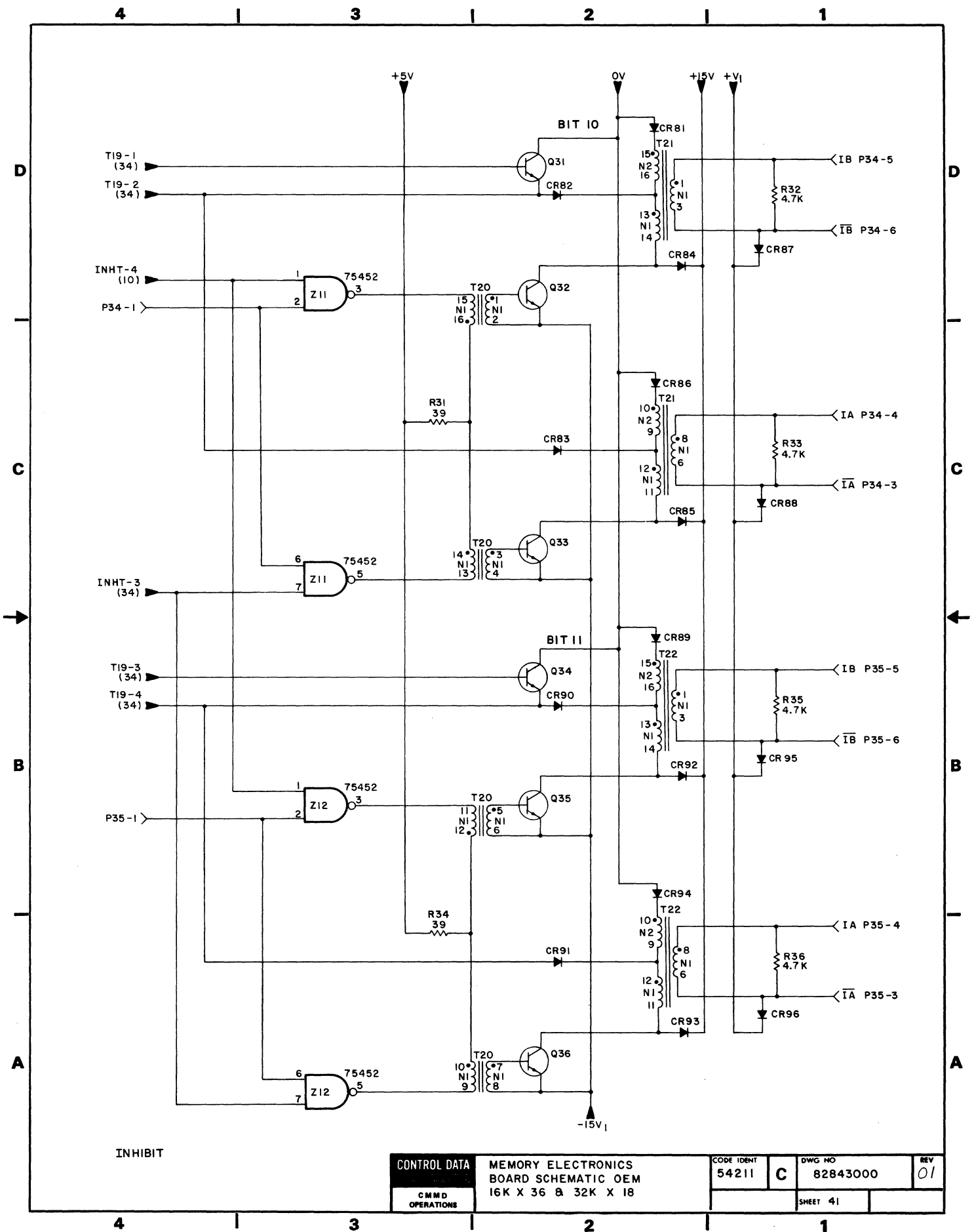
| | | | | |
|--------------------|--|------------|------------|-----|
| CONTROL DATA | MEMORY ELECTRONICS BOARD SCHEMATIC OEM 16K X 36 & 32K X 18 | CODE IDENT | DWG NO | REV |
| | | 542 11 | C 82843000 | 01 |
| CMND OPERATIONS | | SHEET 38 | | |





INHIBIT

| | | | | | | |
|-----------------|---------------------|--|--|------------|------------|-----|
| CONTROL DATA | MEMORY ELECTRONICS | | | CODE IDENT | DWG NO | REV |
| | BOARD SCHEMATIC OEM | | | 54211 | C 82843000 | 01 |
| CMND OPERATIONS | 16K X 36 & 32K X 18 | | | SHEET 40 | | |



INHIBIT

CONTROL DATA
C M M D
OPERATIONS

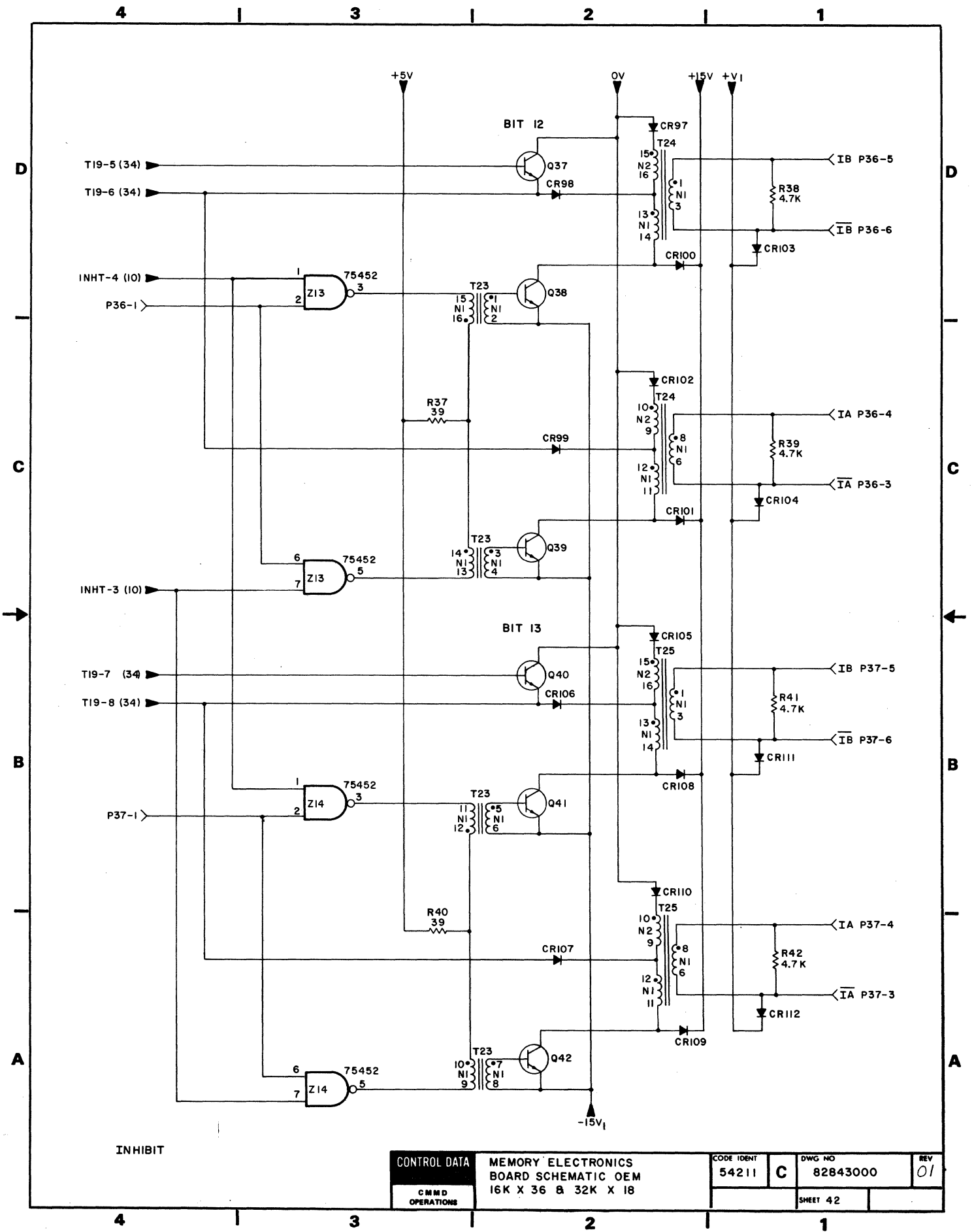
MEMORY ELECTRONICS
BOARD SCHEMATIC OEM
16K X 36 & 32K X 18

CODE IDENT
54211

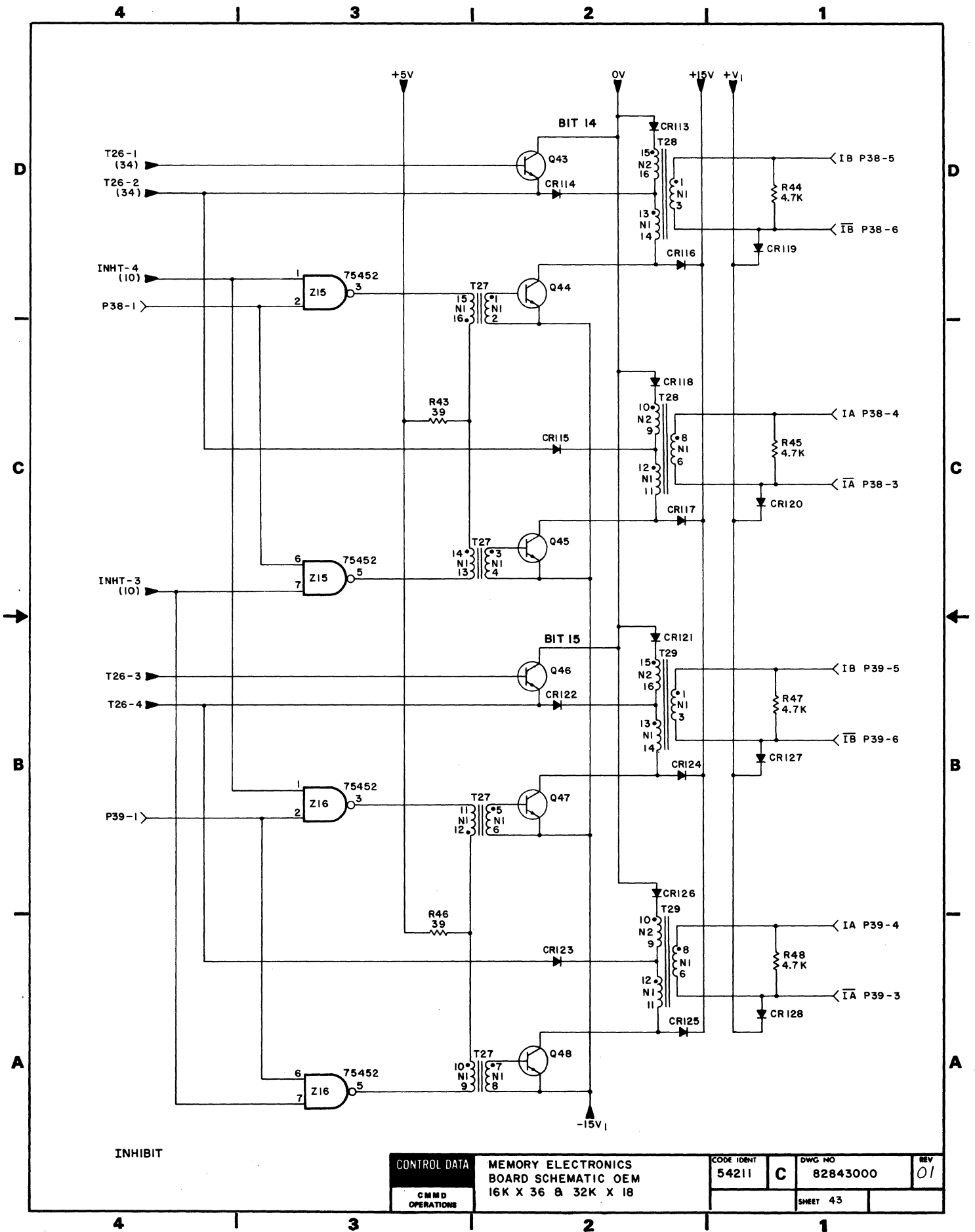
DWG NO
C 82843000

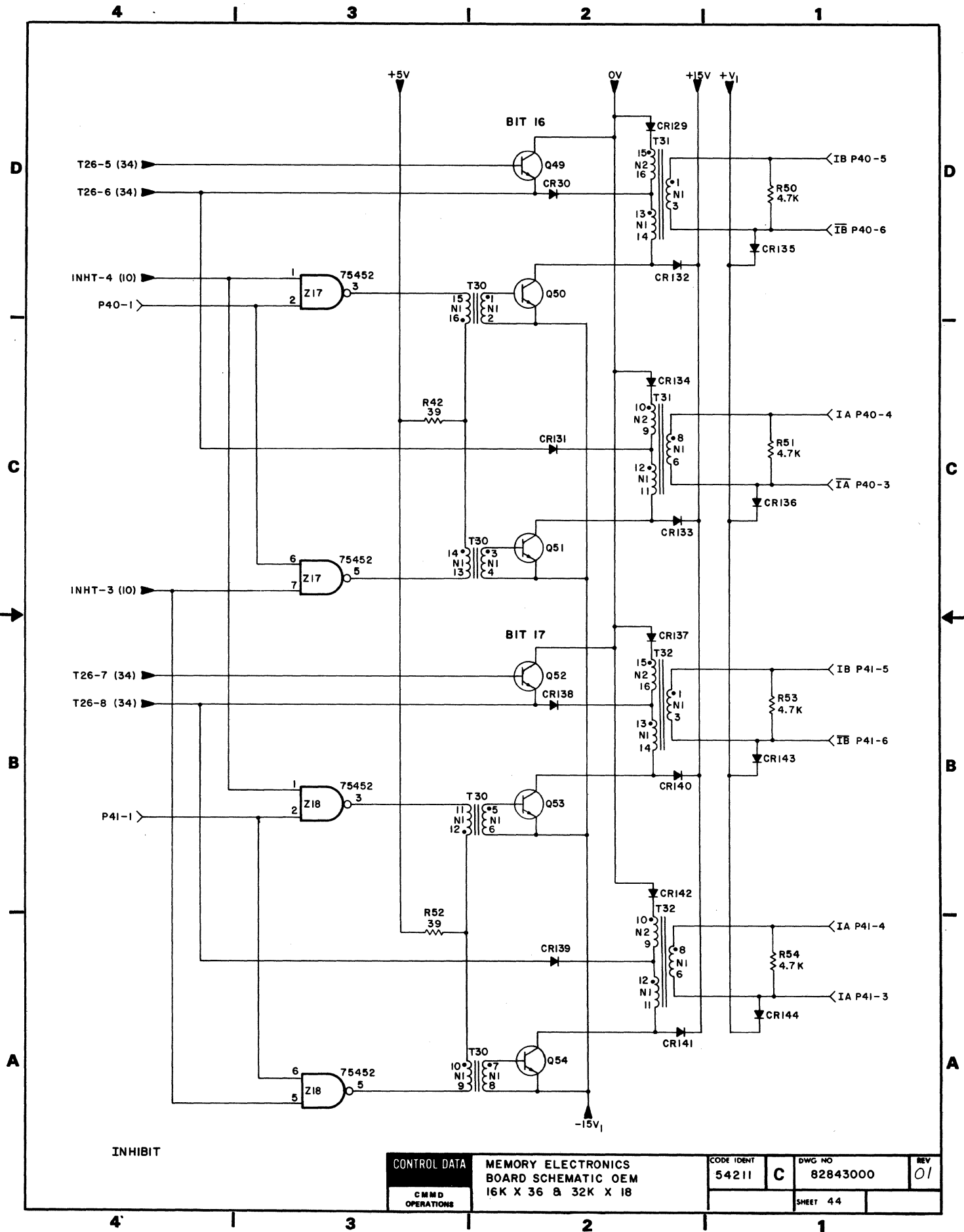
REV
01

SHEET 41



| | | | | | |
|--------------------------------|--|--|---------------------|----------------------|-----------|
| CONTROL DATA CMD OPERATIONS | MEMORY ELECTRONICS BOARD SCHEMATIC OEM 16K X 36 & 32K X 18 | | CODE IDENT 54211 | DWG NO C 82843000 | REV 01 |
| | | | | SHEET 42 | |





INHIBIT

CONTROL DATA

MEMORY ELECTRONICS
BOARD SCHEMATIC OEM
16K X 36 & 32K X 18

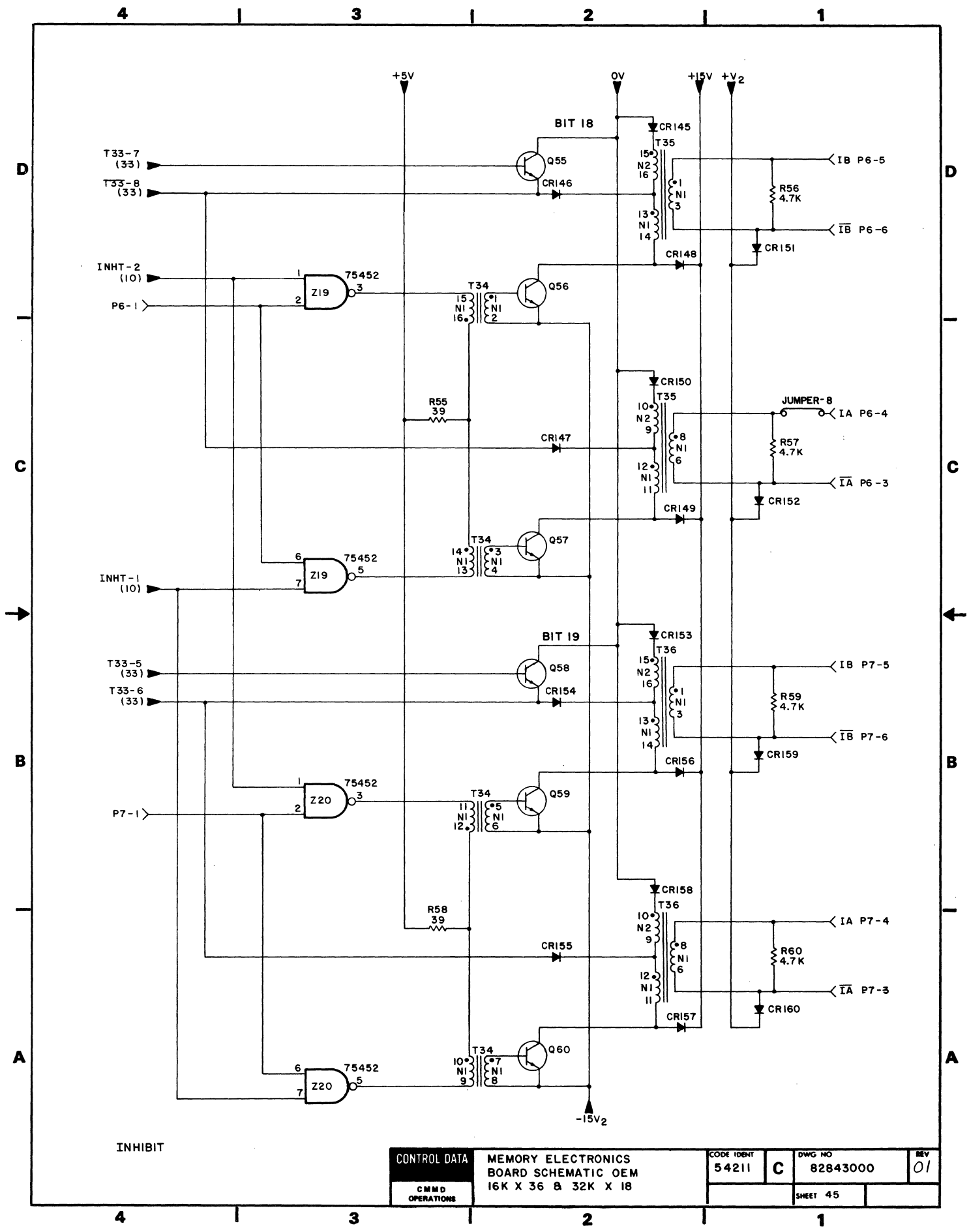
CODE IDENT
54211

DWG NO
82843000

REV
01

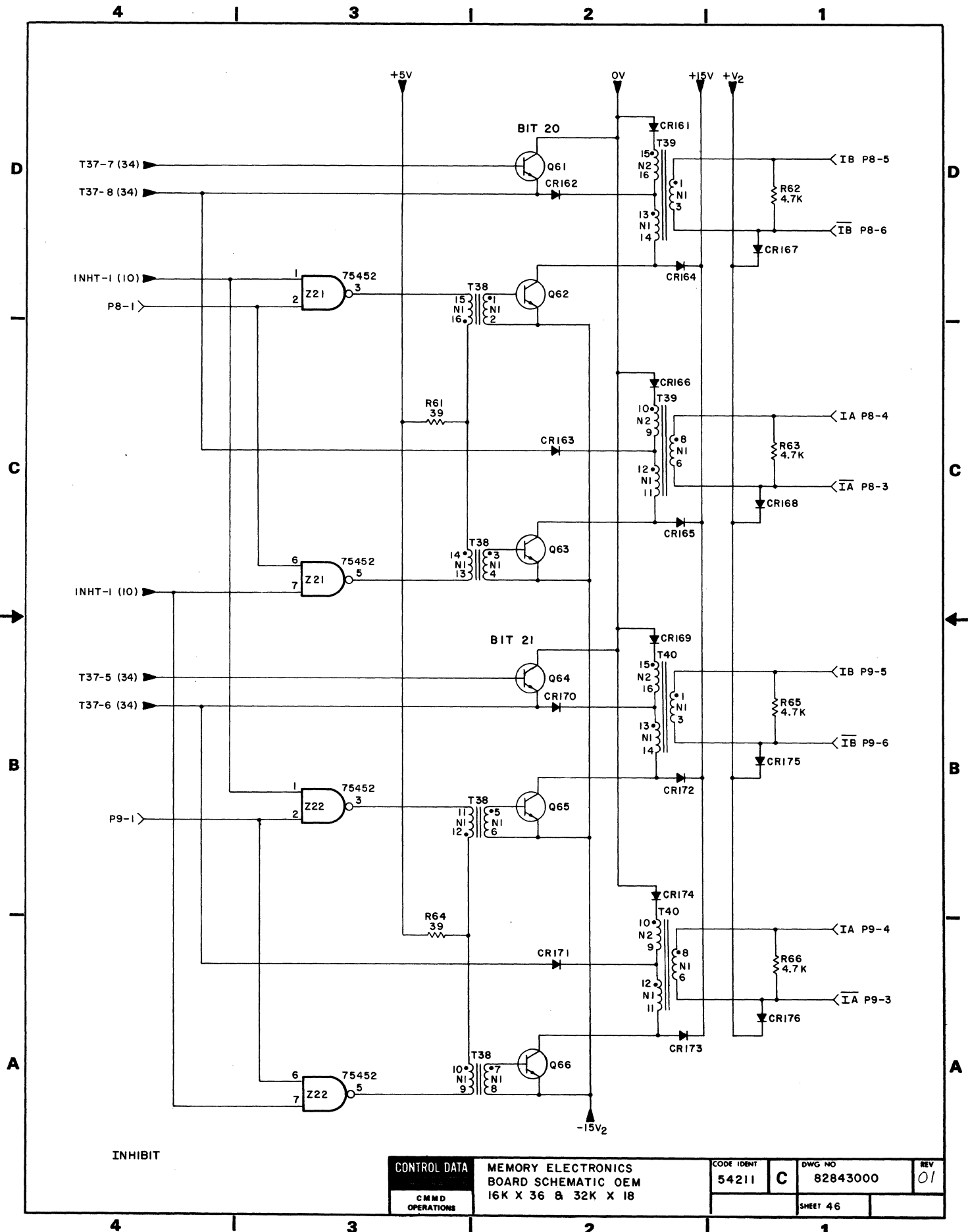
CMND
OPERATIONS

SHEET 44



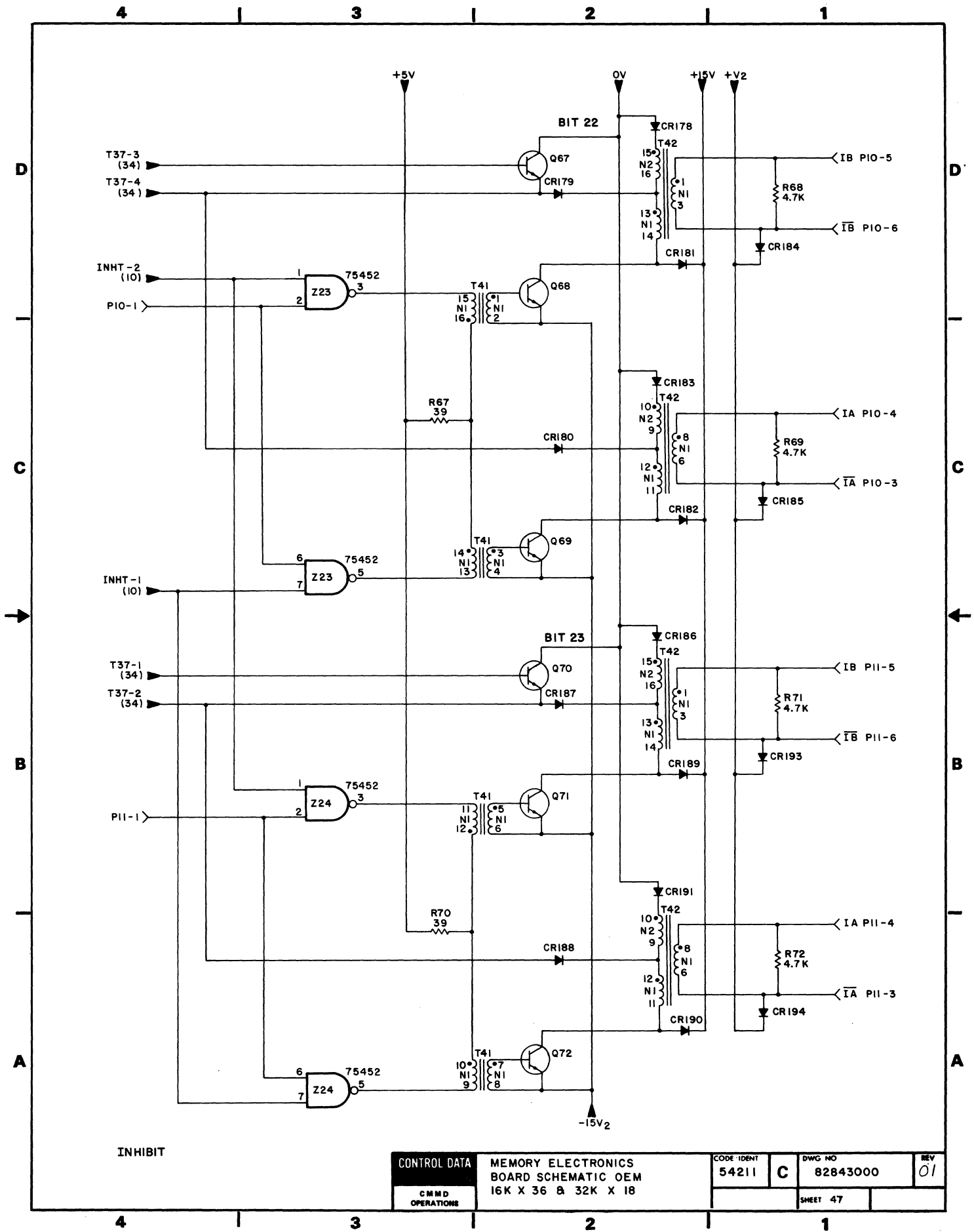
INHIBIT

| | | | | | |
|------------------|--|--|------------|------------|-----|
| CONTROL DATA | MEMORY ELECTRONICS BOARD SCHEMATIC OEM | | CODE IDENT | DWG NO | REV |
| | 16K X 36 & 32K X 18 | | 54211 | C 82843000 | 01 |
| CMM D OPERATIONS | | | SHEET 45 | | |



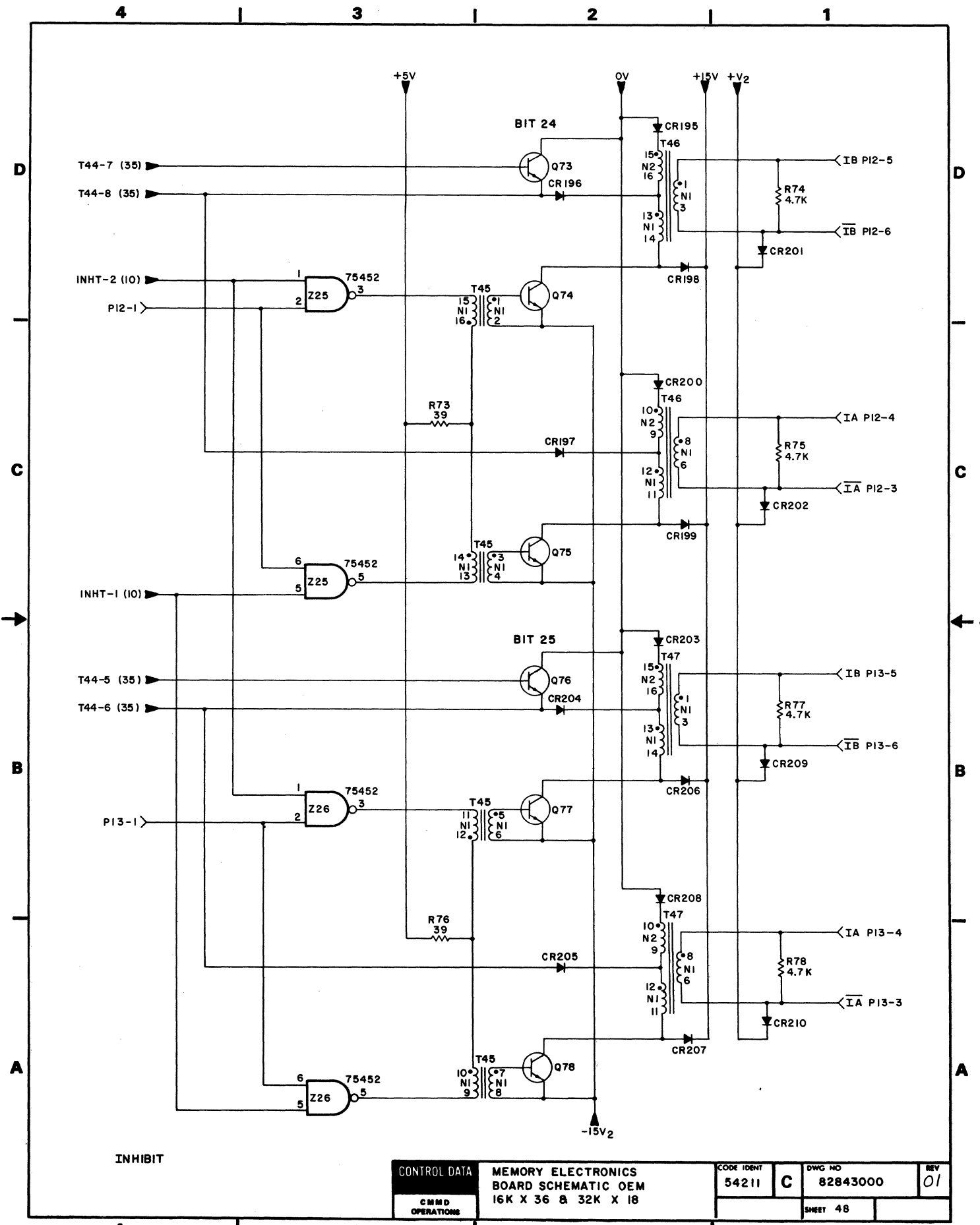
INHIBIT

| | | | | | |
|-----------------|---------------------|--|------------|------------|-----|
| CONTROL DATA | MEMORY ELECTRONICS | | CODE IDENT | DWG NO | REV |
| | BOARD SCHEMATIC OEM | | 54211 | C 82843000 | 01 |
| CMMD OPERATIONS | 16K X 36 & 32K X 18 | | SHEET 46 | | |



INHIBIT

| | | | | | |
|-----------------|--|--|------------|------------|-----|
| CONTROL DATA | MEMORY ELECTRONICS BOARD SCHEMATIC OEM | | CODE IDENT | DWG NO | REV |
| | 16K X 36 & 32K X 18 | | 54211 | C 82843000 | 01 |
| CMND OPERATIONS | | | SHEET 47 | | |



INHIBIT

CONTROL DATA
C M M D
OPERATIONS

MEMORY ELECTRONICS
BOARD SCHEMATIC OEM
16K X 36 & 32K X 18

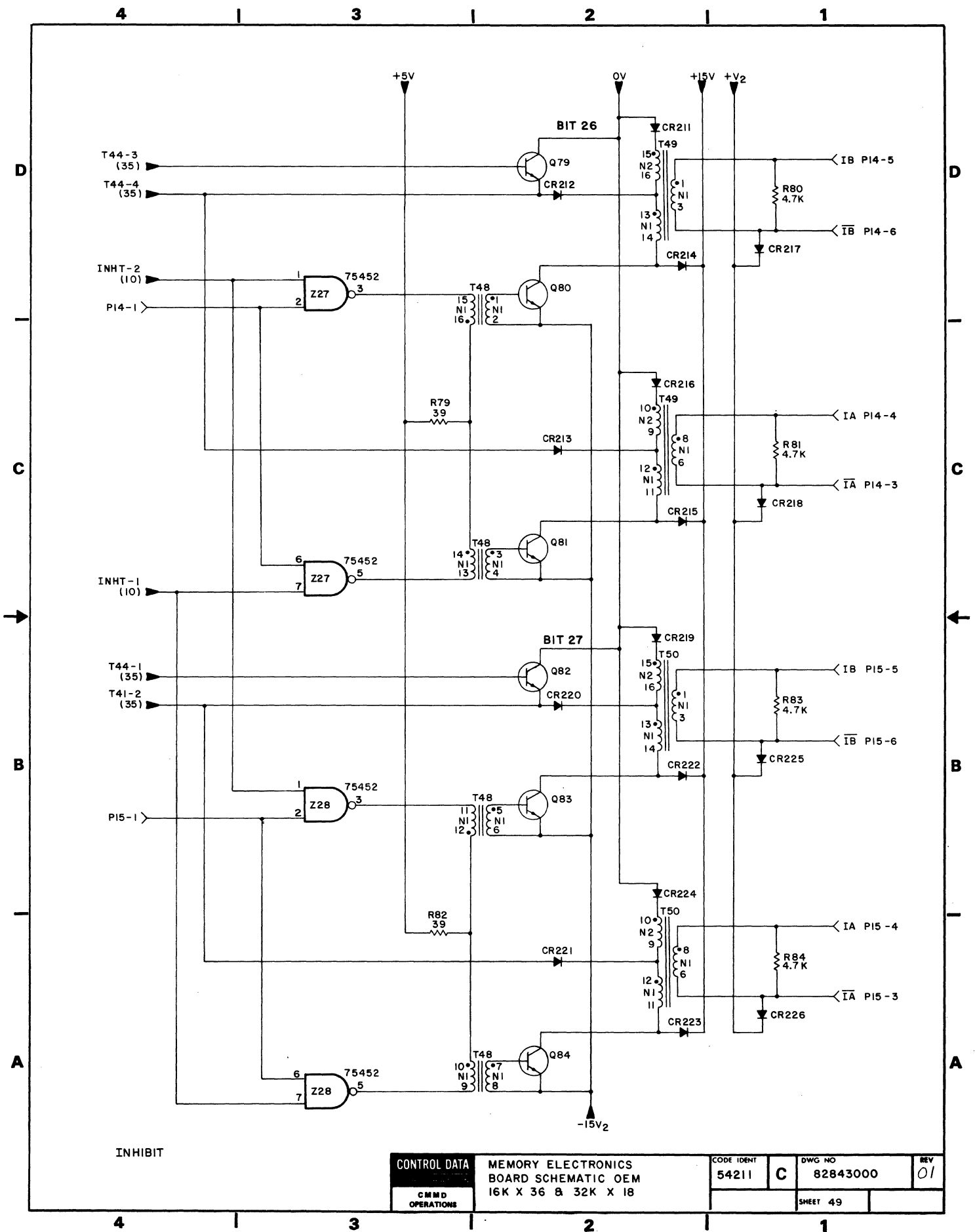
CODE IDENT
54211

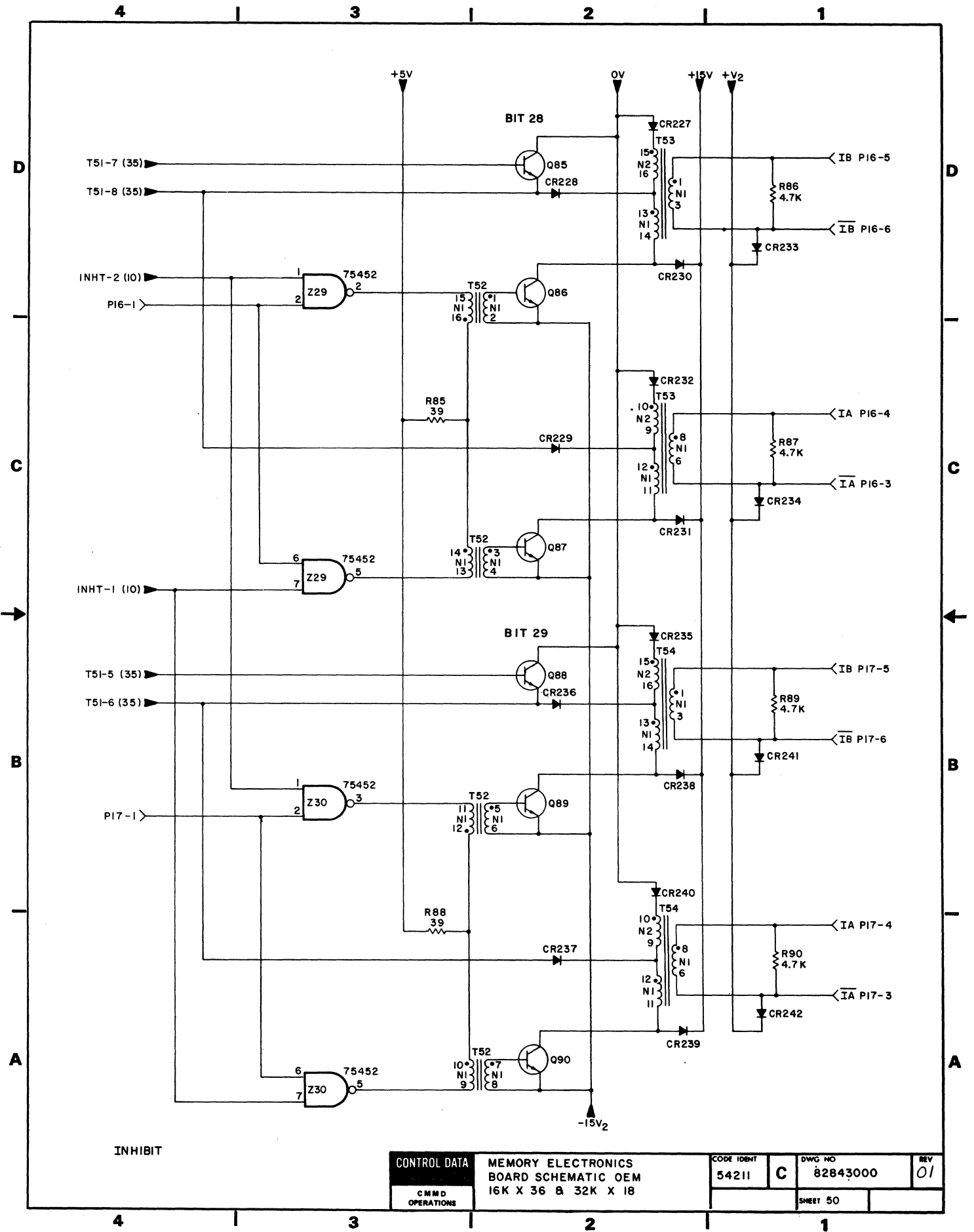
C

DWG NO
82843000

REV
01

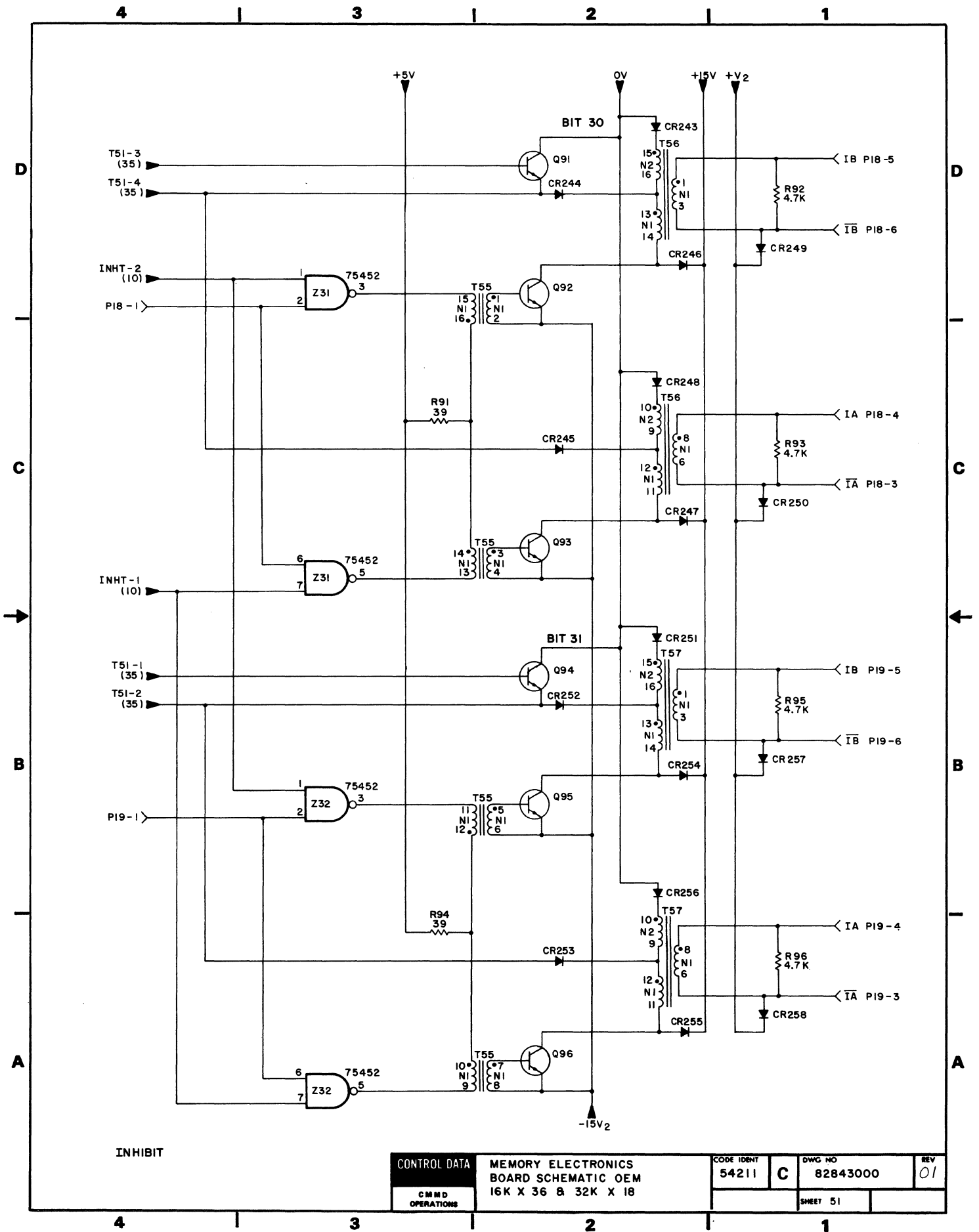
SHEET 48





INHIBIT

| | | | | | |
|-----------------|--|--|------------|------------|-----|
| CONTROL DATA | MEMORY ELECTRONICS BOARD SCHEMATIC OEM | | CODE IDENT | DWG NO | REV |
| | 16K X 36 & 32K X 18 | | 54211 | C 82843000 | 01 |
| CMMD OPERATIONS | | | SHEET 50 | | |



INHIBIT

CONTROL DATA
C M M D
OPERATIONS

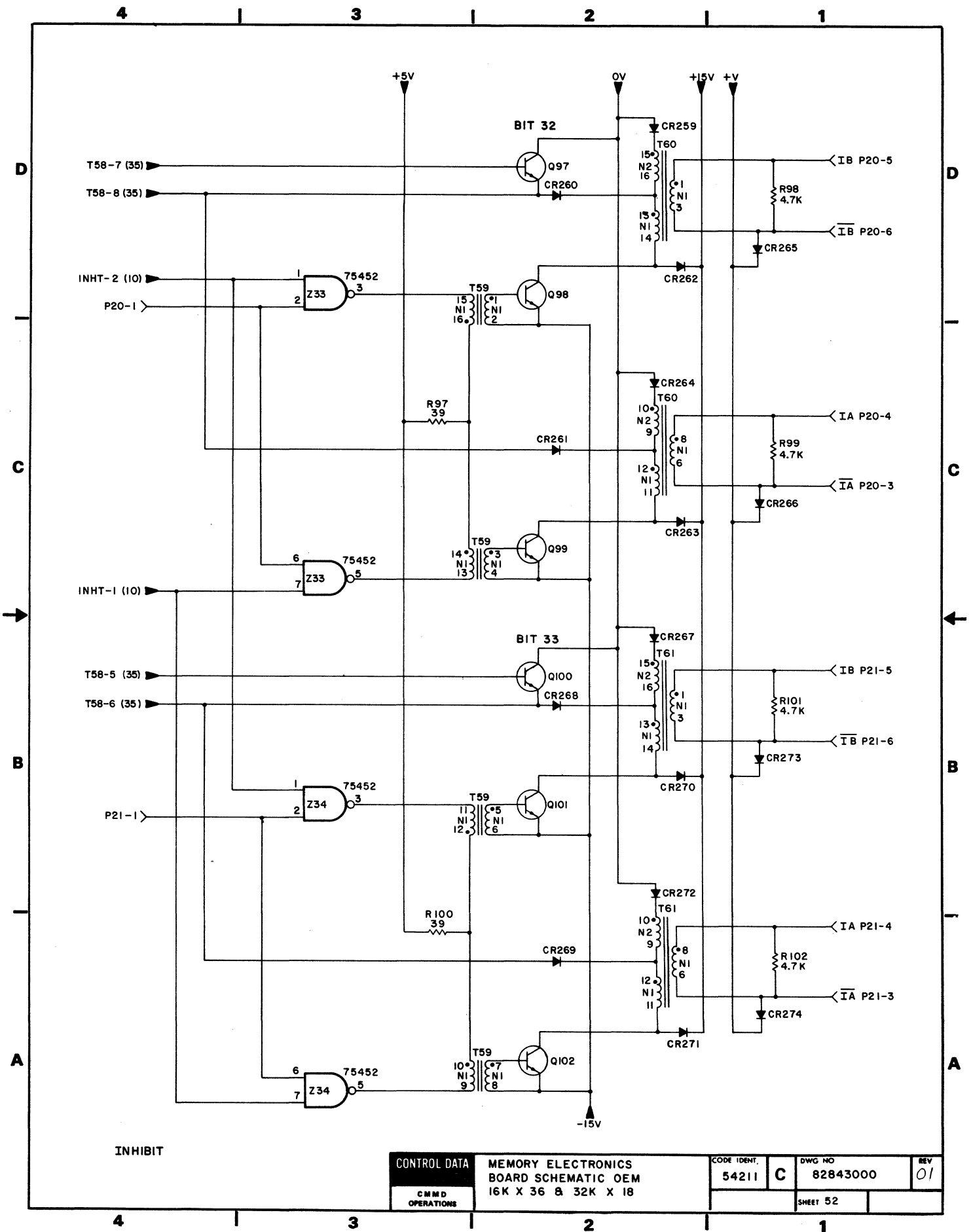
MEMORY ELECTRONICS
BOARD SCHEMATIC OEM
16K X 36 & 32K X 18

CODE IDENT
54211

DWG NO
82843000

REV
01

SHEET 51



INHIBIT

CONTROL DATA
C M M D
OPERATIONS

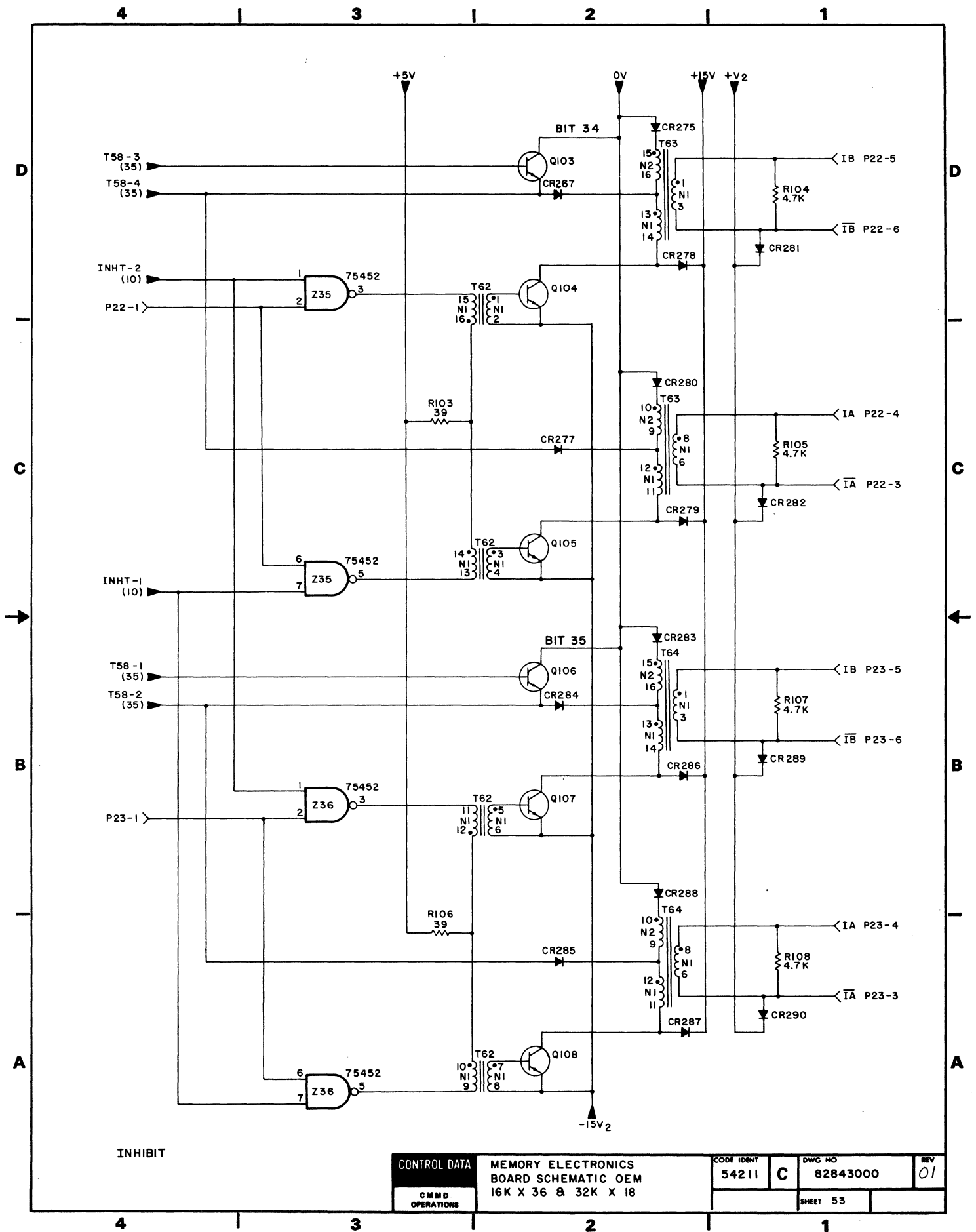
MEMORY ELECTRONICS
BOARD SCHEMATIC OEM
16K X 36 & 32K X 18

CODE IDENT.
54211

DWG NO
C 82843000

REV
01

SHEET 52



INHIBIT

CONTROL DATA

MEMORY ELECTRONICS
BOARD SCHEMATIC OEM
16K X 36 & 32K X 18

CODE IDENT

54211

DWG NO

82843000

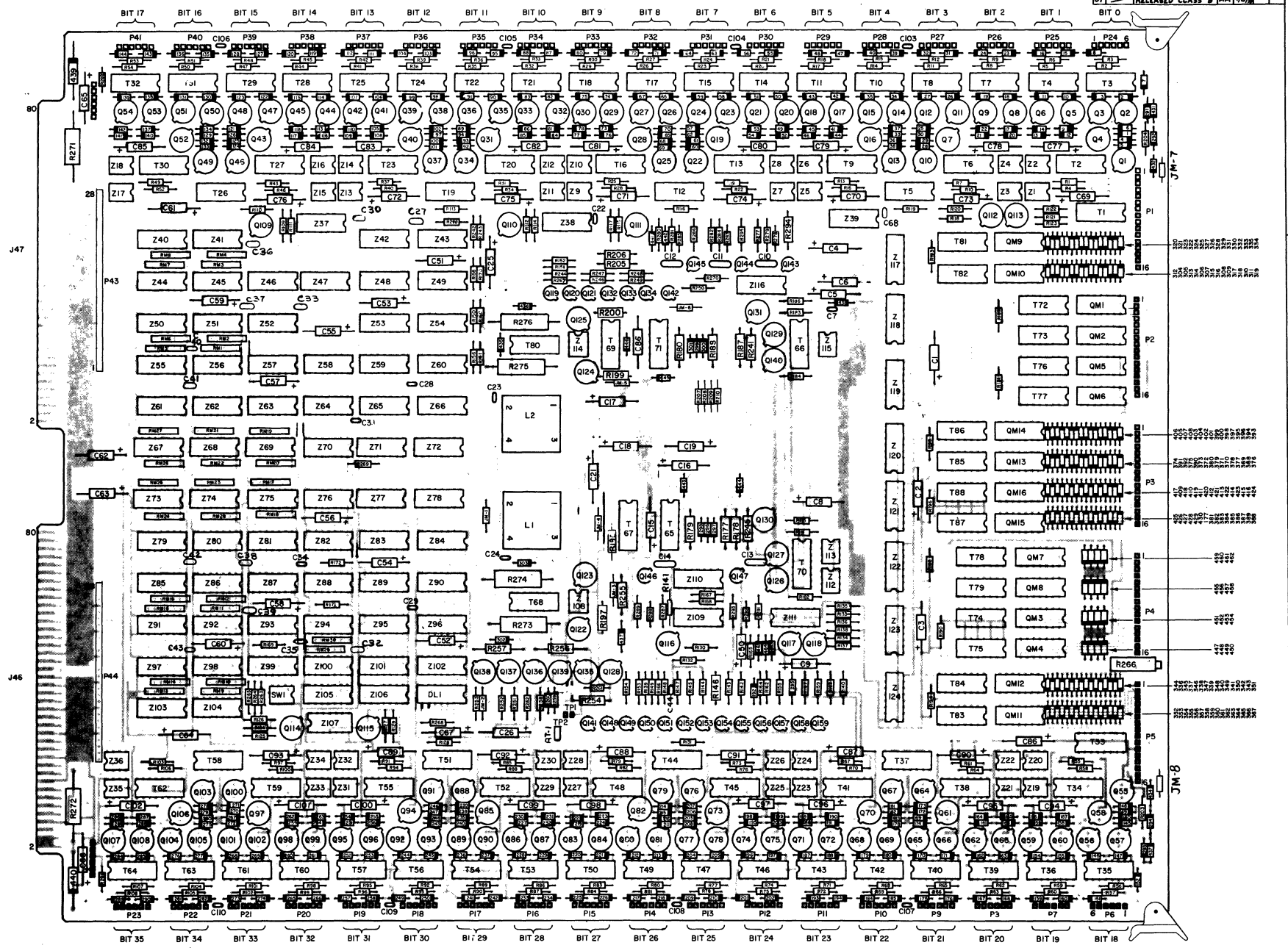
REV

01

CMMD
OPERATIONS

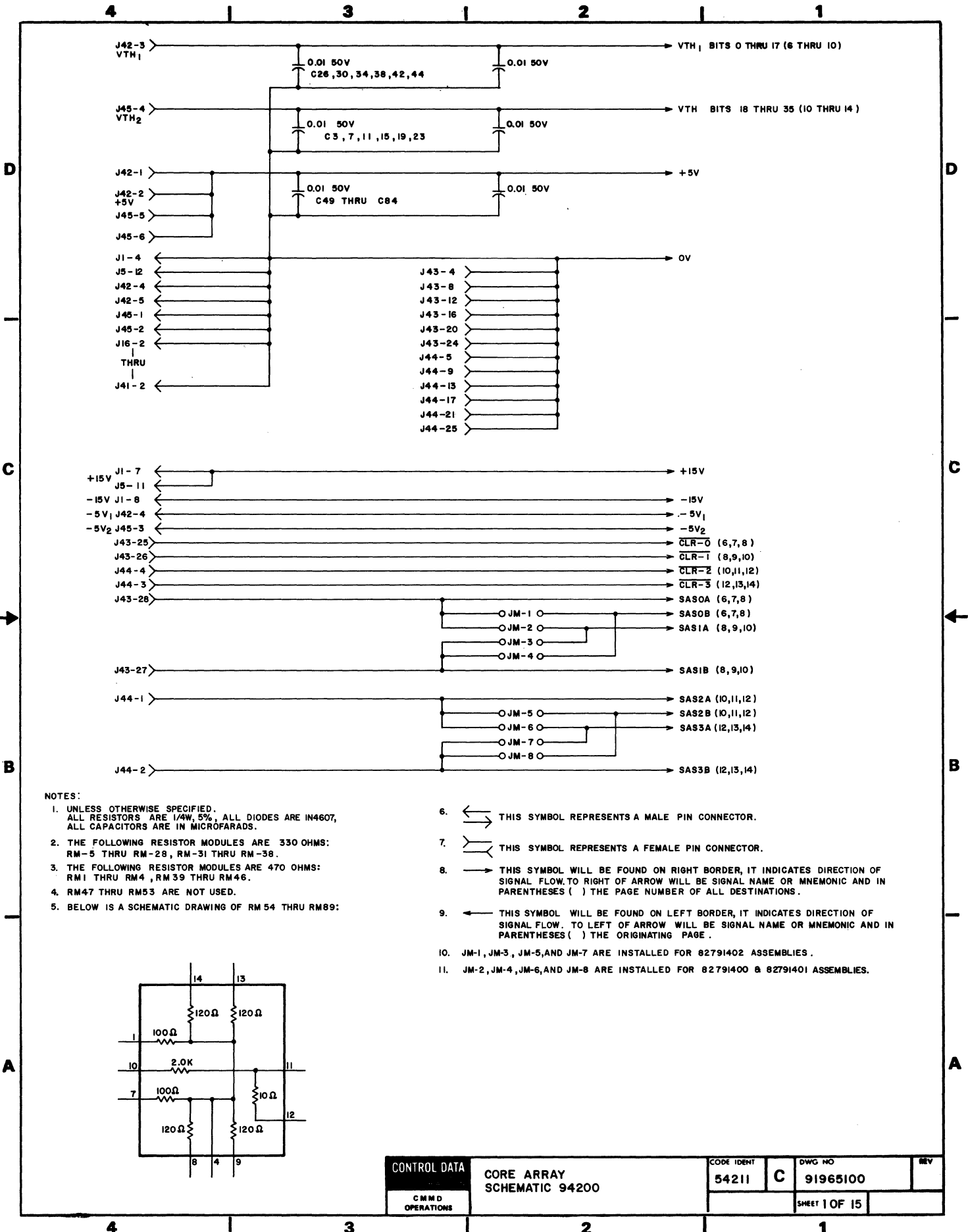
SHEET 53

5-54



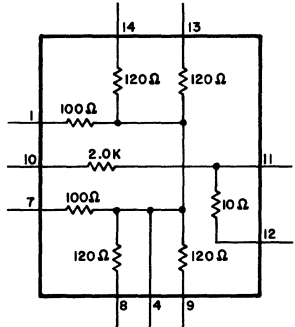
60448600 A

| | | |
|--|-----------------------|---|
| DETACHED LISTS PARTS LIST MATERIAL FINISH | CONTROL DATA OCEMM | TITLE MEMORY ELECTRONICS BOARD SCHEMATIC ASSEMBLY OEM 16K X 36 BIT |
| | 5421 E 82843000 | DRAWING NO. 82843000 |
| | 2/1 | SHEET 54 OF 54 |
| | SCALE 2/1 | |

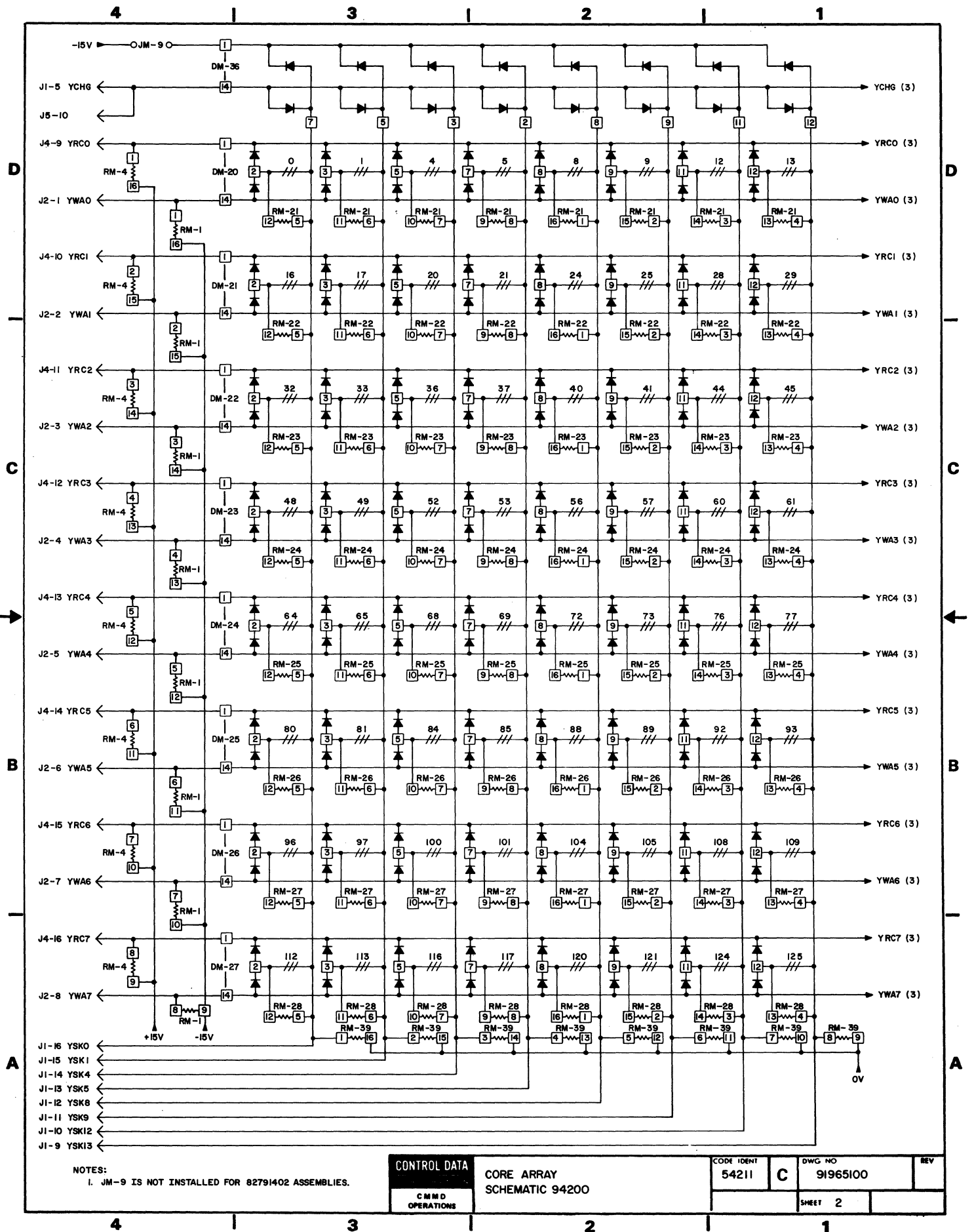


NOTES:

1. UNLESS OTHERWISE SPECIFIED, ALL RESISTORS ARE 1/4W, 5%, ALL DIODES ARE IN4607, ALL CAPACITORS ARE IN MICROFARADS.
2. THE FOLLOWING RESISTOR MODULES ARE 330 OHMS: RM-5 THRU RM-28, RM-31 THRU RM-38.
3. THE FOLLOWING RESISTOR MODULES ARE 470 OHMS: RM1 THRU RM4, RM39 THRU RM46.
4. RM47 THRU RM53 ARE NOT USED.
5. BELOW IS A SCHEMATIC DRAWING OF RM 54 THRU RM89:
6. ← THIS SYMBOL REPRESENTS A MALE PIN CONNECTOR.
7. ⤴ THIS SYMBOL REPRESENTS A FEMALE PIN CONNECTOR.
8. → THIS SYMBOL WILL BE FOUND ON RIGHT BORDER, IT INDICATES DIRECTION OF SIGNAL FLOW. TO RIGHT OF ARROW WILL BE SIGNAL NAME OR MNEMONIC AND IN PARENTHESES () THE PAGE NUMBER OF ALL DESTINATIONS.
9. ← THIS SYMBOL WILL BE FOUND ON LEFT BORDER, IT INDICATES DIRECTION OF SIGNAL FLOW. TO LEFT OF ARROW WILL BE SIGNAL NAME OR MNEMONIC AND IN PARENTHESES () THE ORIGINATING PAGE.
10. JM-1, JM-3, JM-5, AND JM-7 ARE INSTALLED FOR 82791402 ASSEMBLIES.
11. JM-2, JM-4, JM-6, AND JM-8 ARE INSTALLED FOR 82791400 & 82791401 ASSEMBLIES.



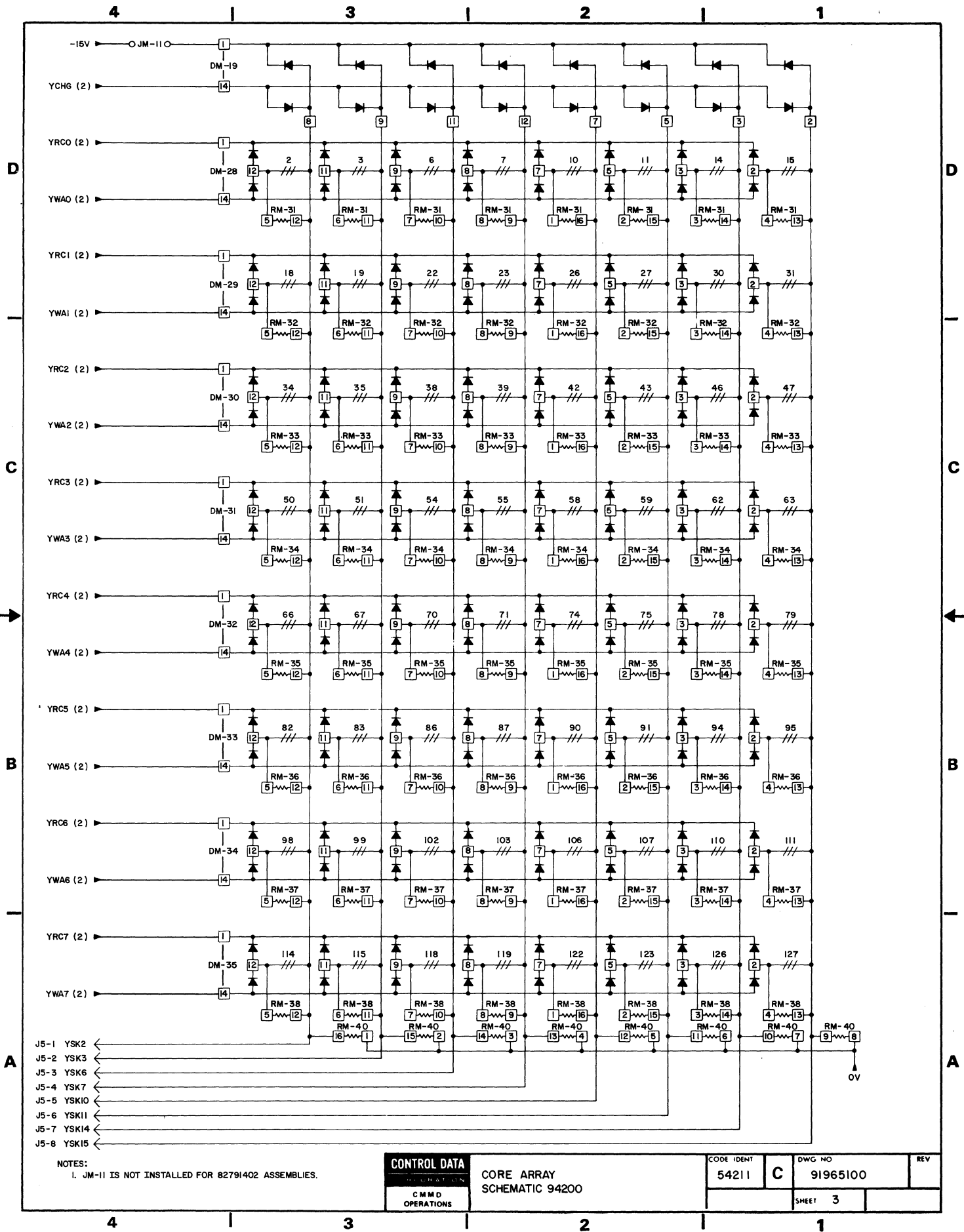
| | | | | | |
|---------------------------------------|-------------------------------|--|---------------------|----------------------|-----|
| CONTROL DATA C M M D OPERATIONS | CORE ARRAY SCHEMATIC 94200 | | CODE IDENT 54211 | DWG NO C 91965100 | REV |
| | | | | SHEET 1 OF 15 | |



NOTES:
 1. JM-9 IS NOT INSTALLED FOR 82791402 ASSEMBLIES.

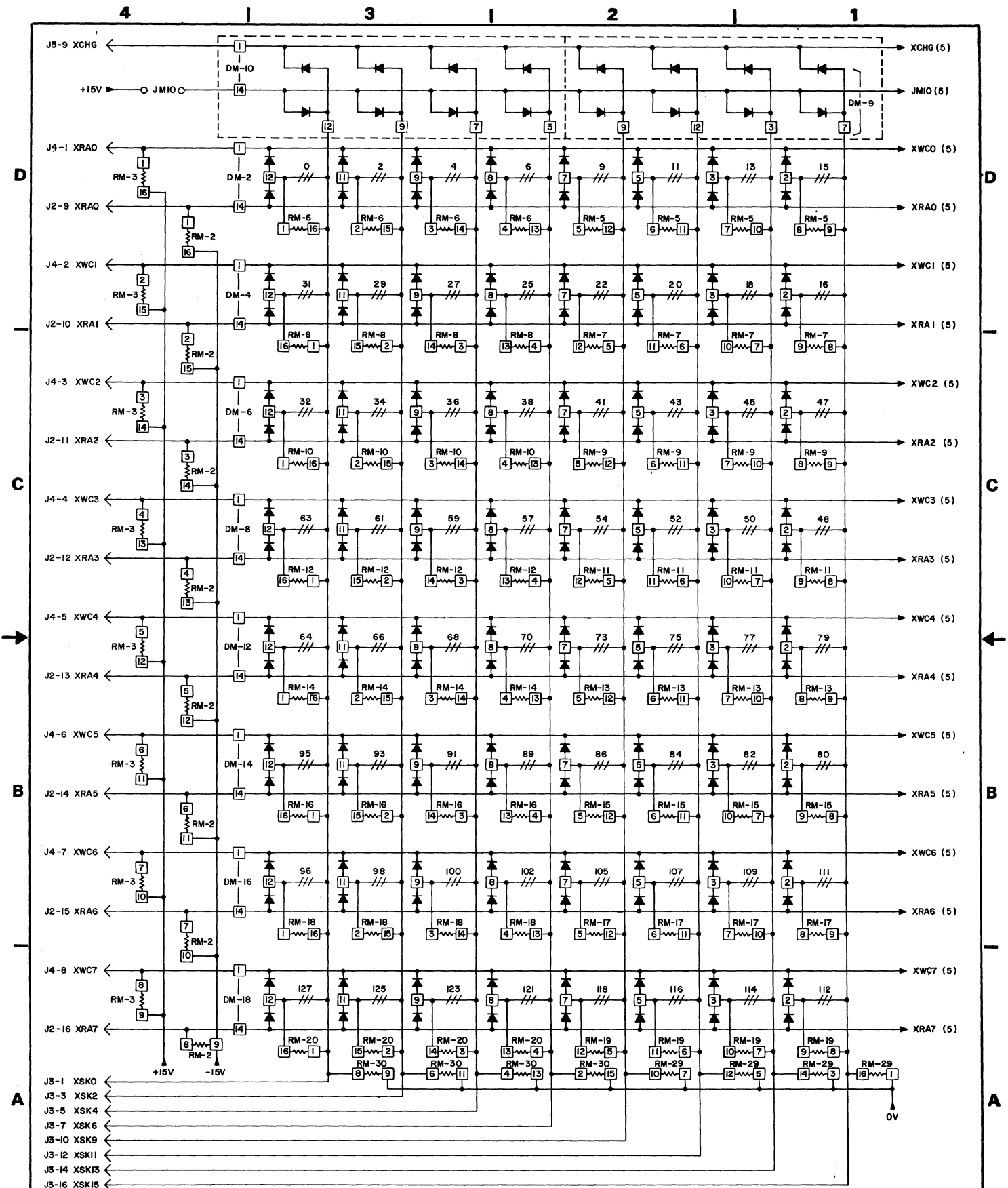
CONTROL DATA
 CORE ARRAY
 SCHEMATIC 94200
 C M M D
 OPERATIONS

| | | | |
|---------------------|---|--------------------|-----|
| CODE IDENT 54211 | C | DWG NO 91965100 | REV |
| SHEET 2 | | | |



NOTES:
 1. JM-11 IS NOT INSTALLED FOR 82791402 ASSEMBLIES.

| | | | | | |
|--|-------------------------------|--|---------------------|----------------------|-----|
| CONTROL DATA CORPORATION C M M D OPERATIONS | CORE ARRAY SCHEMATIC 94200 | | CODE IDENT 54211 | DWG NO C 91965100 | REV |
| | | | | SHEET 3 | |



NOTES:
 1. JM-10 IS NOT INSTALLED FOR 82791402 ASSEMBLIES.

CONTROL DATA

C M M D
 OPERATIONS

CORE ARRAY
 SCHEMATIC 94200

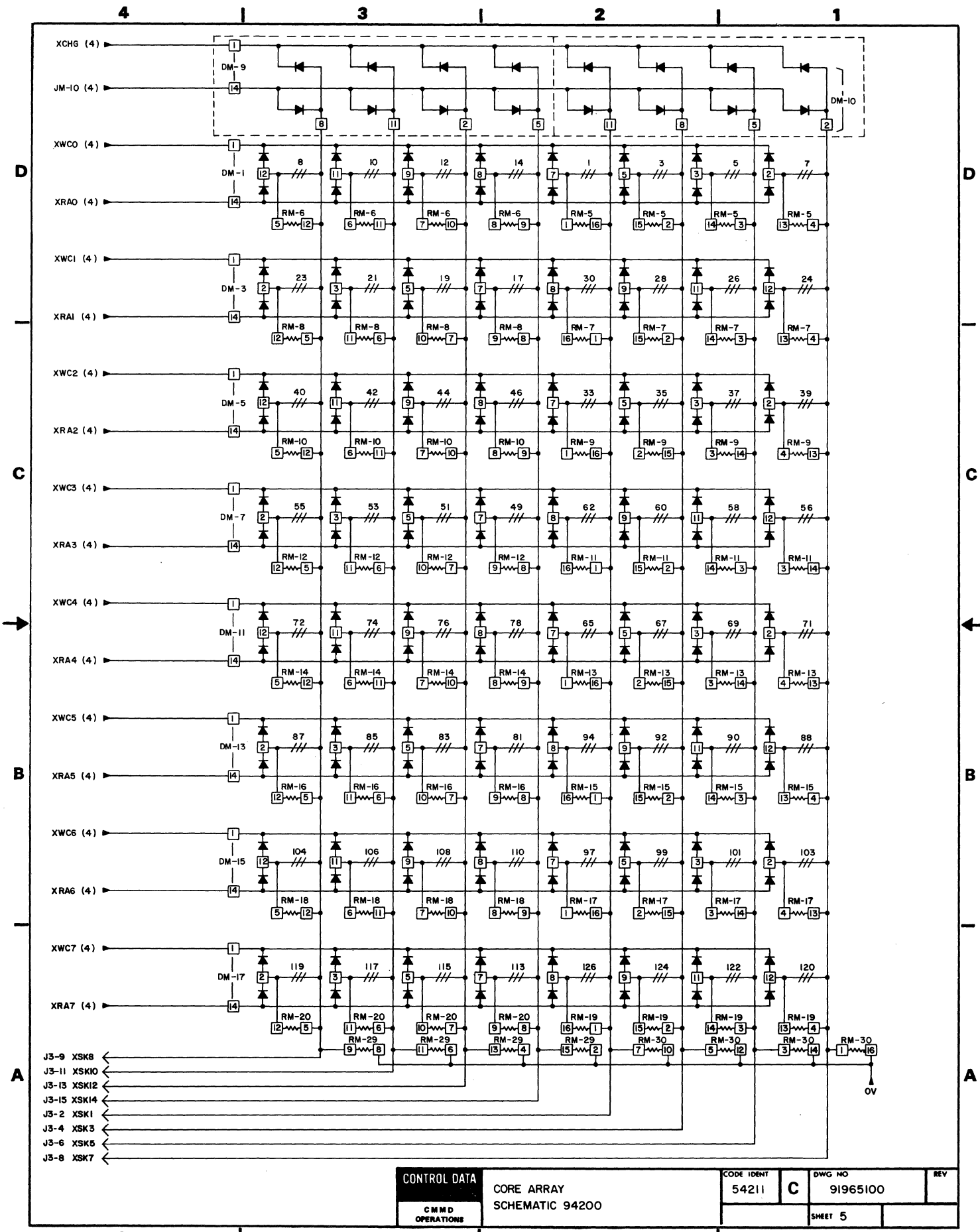
CODE IDENT
 54211

C

DWG NO
 919651 00

REV

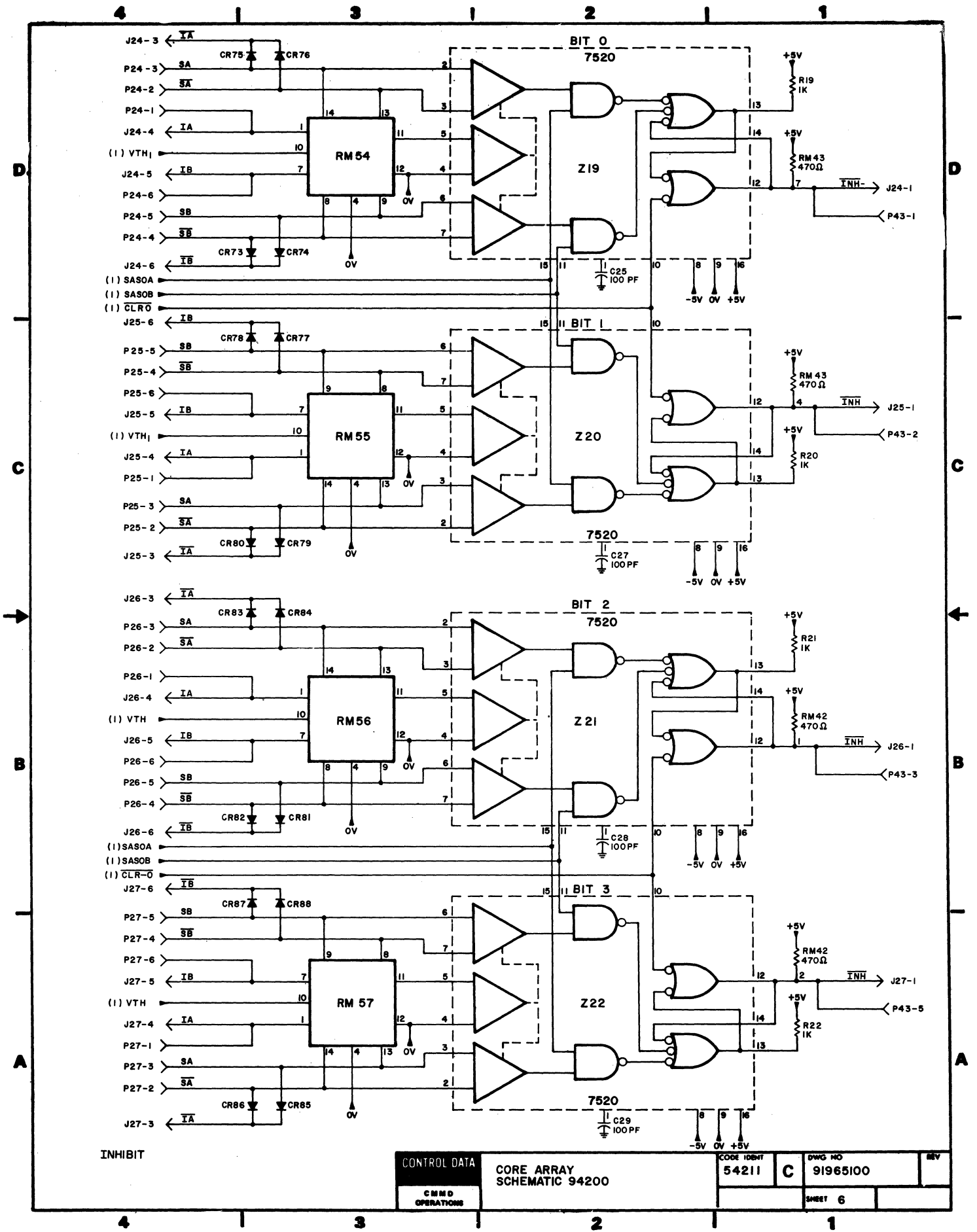
SHEET 4



CONTROL DATA
C M M D
OPERATIONS

CORE ARRAY
SCHEMATIC 94200

| | | |
|---------------------|--------------------|-----|
| CODE IDENT 54211 | DWG NO 91965100 | REV |
| SHEET 5 | | |

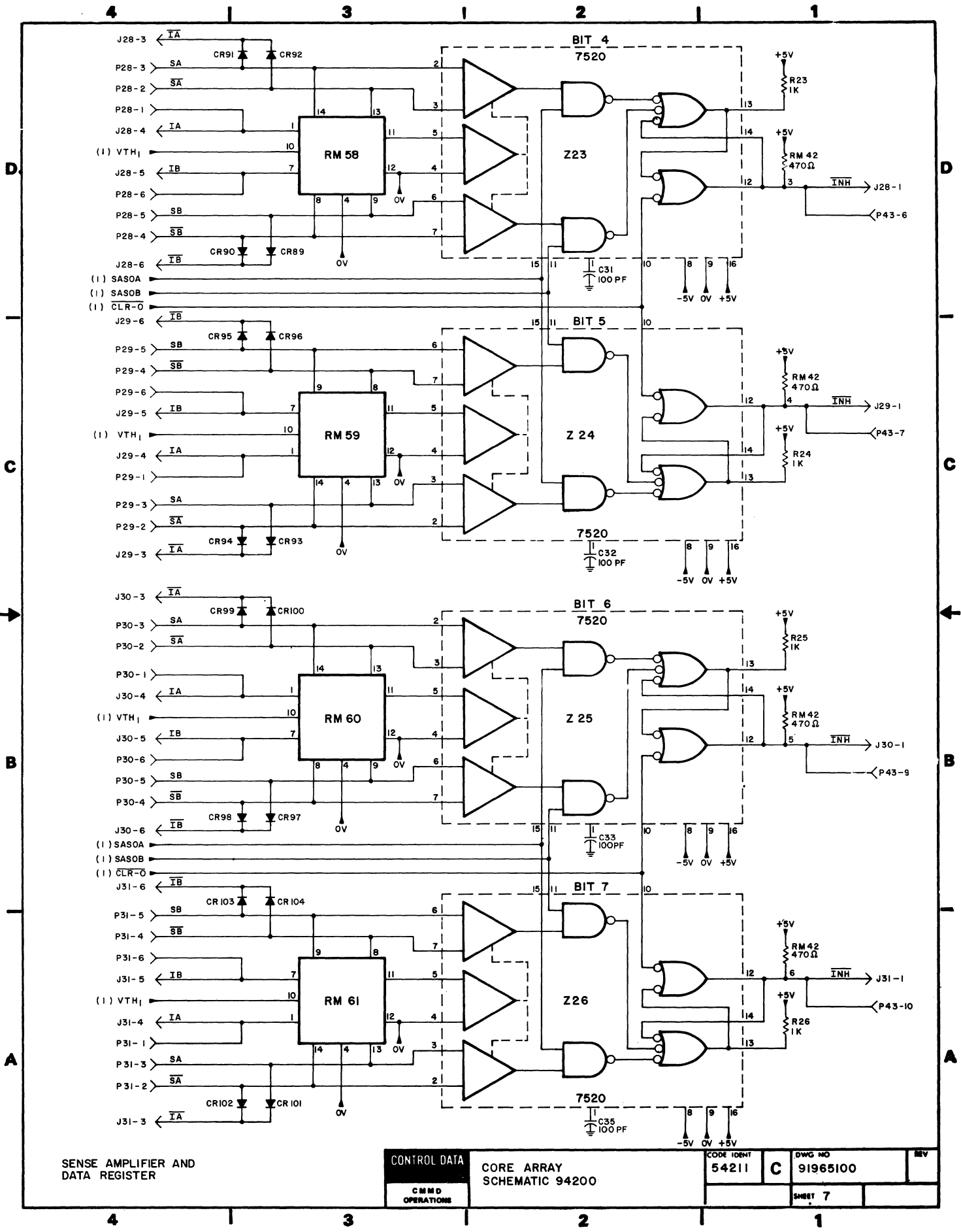


INHIBIT

CONTROL DATA
CMD OPERATIONS

CORE ARRAY
SCHEMATIC 94200

| | | |
|---------------------|--------------------|-----|
| CODE IDENT 54211 | DWG NO 91965100 | REV |
| SHEET 6 | | |



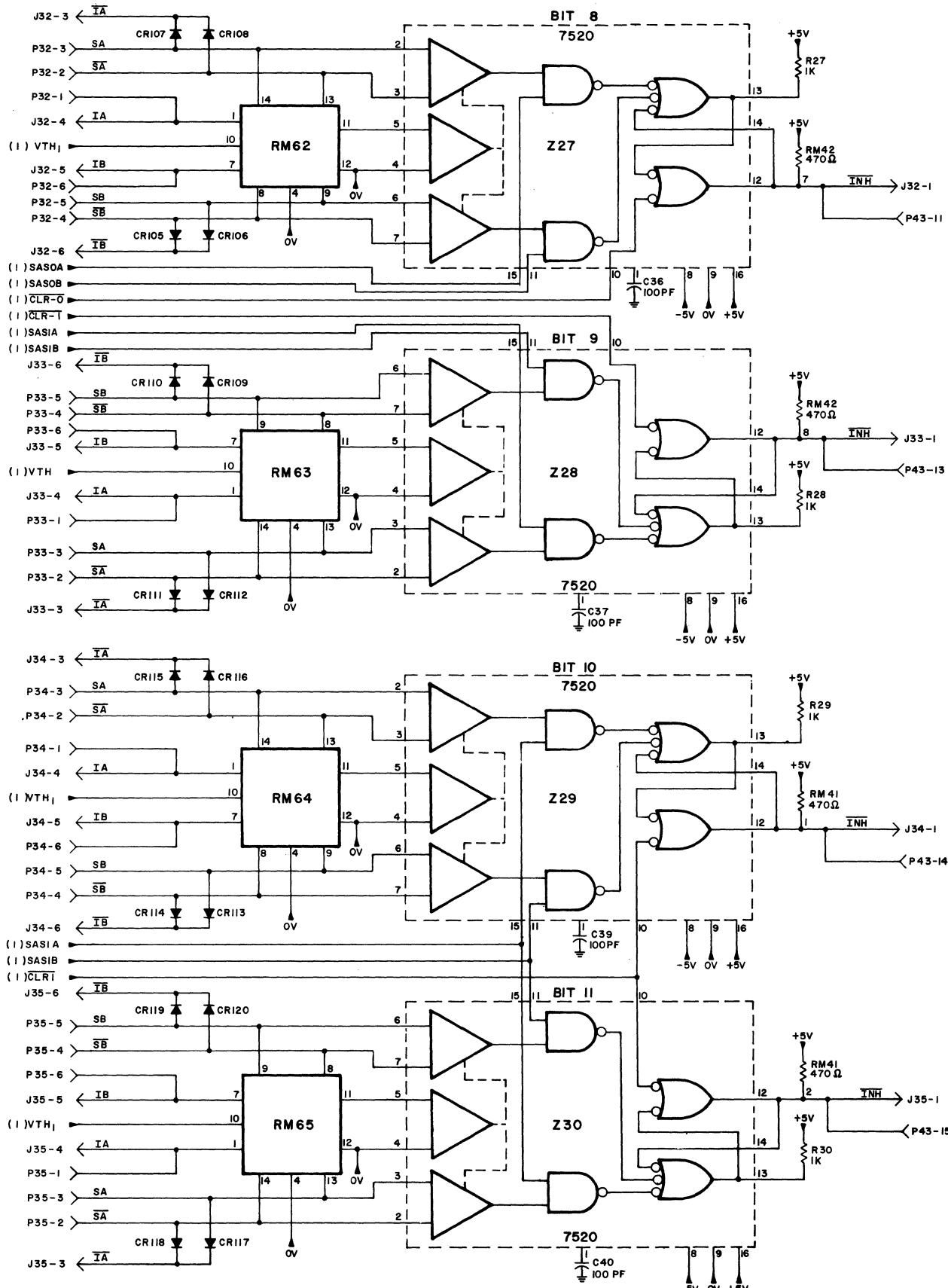
SENSE AMPLIFIER AND
DATA REGISTER

CONTROL DATA
C M M D
OPERATIONS

CORE ARRAY
SCHEMATIC 94200

| | | |
|---------------------|----------------------|-----|
| CODE IDENT 54211 | DWG NO C 91965100 | REV |
| SHEET 7 | | |

4 3 1 2 1

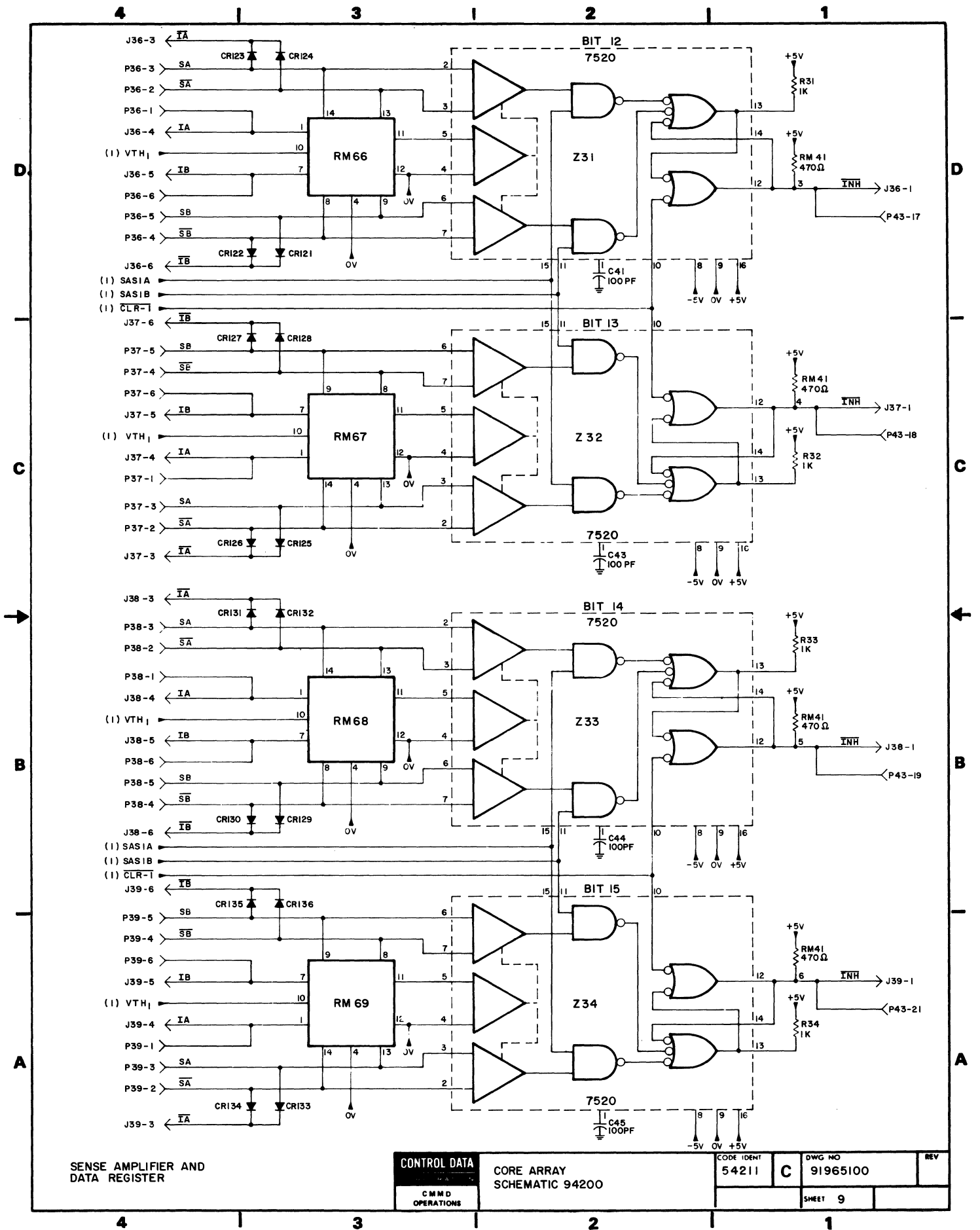


SENSE AMPLIFIER AND DATA REGISTER

CONTROL DATA
 CORE ARRAY SCHEMATIC 94200
 CMD OPERATIONS

| | | |
|---------------------|--------------------|-----|
| CODE IDENT 54211 | DWG NO 91965100 | REV |
| C | | |
| SHEET 8 | | |

4 3 1 2 1



SENSE AMPLIFIER AND
DATA REGISTER

CONTROL DATA

CORE ARRAY
SCHEMATIC 94200

CODE IDENT
54211

C

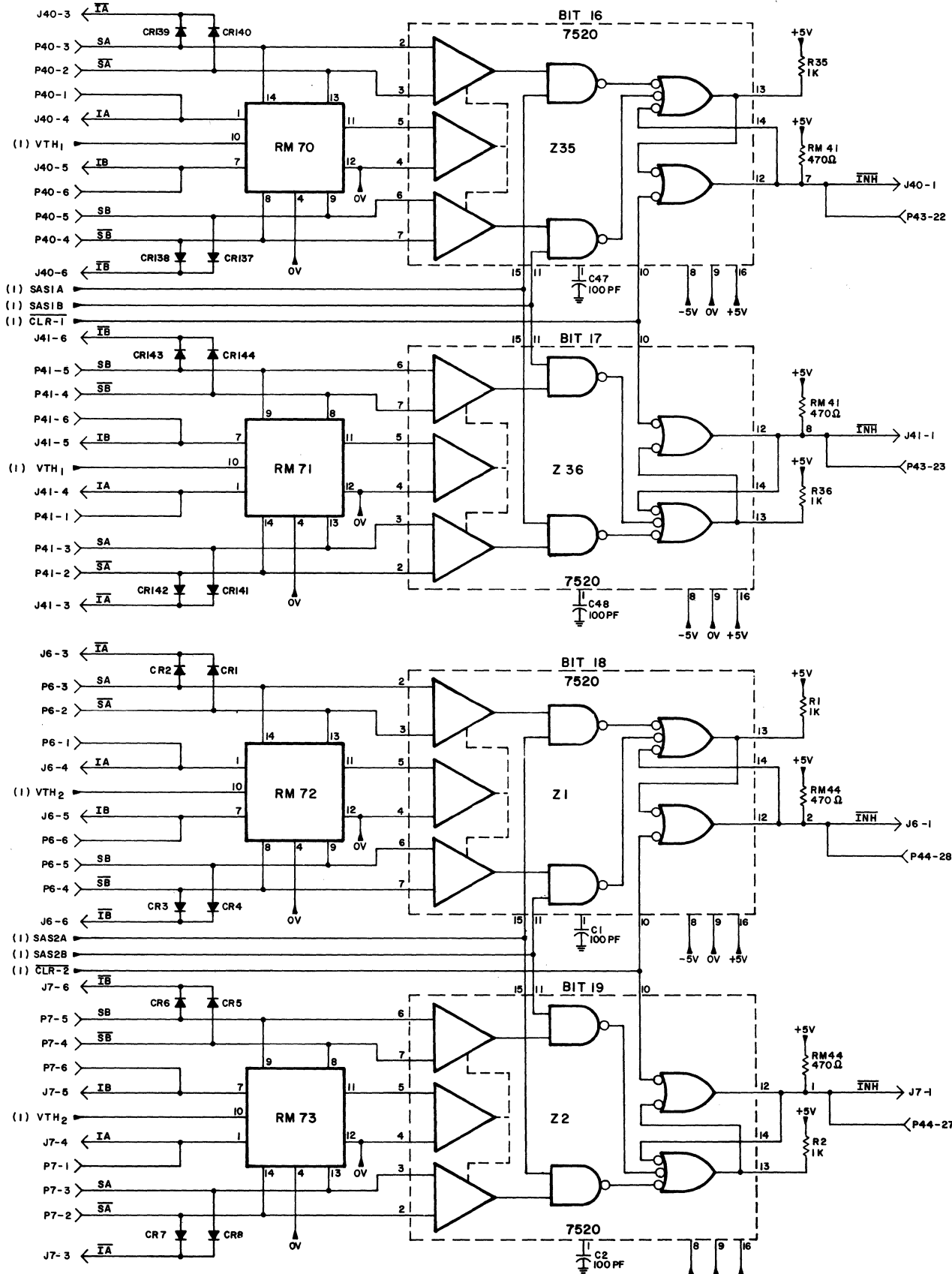
DWG NO
91965100

REV

CMND
OPERATIONS

SHEET 9

4 3 2 1



SENSE AMPLIFIER AND DATA REGISTER

CONTROL DATA

CORE ARRAY SCHEMATIC 94200

CODE IDENT 54211

C

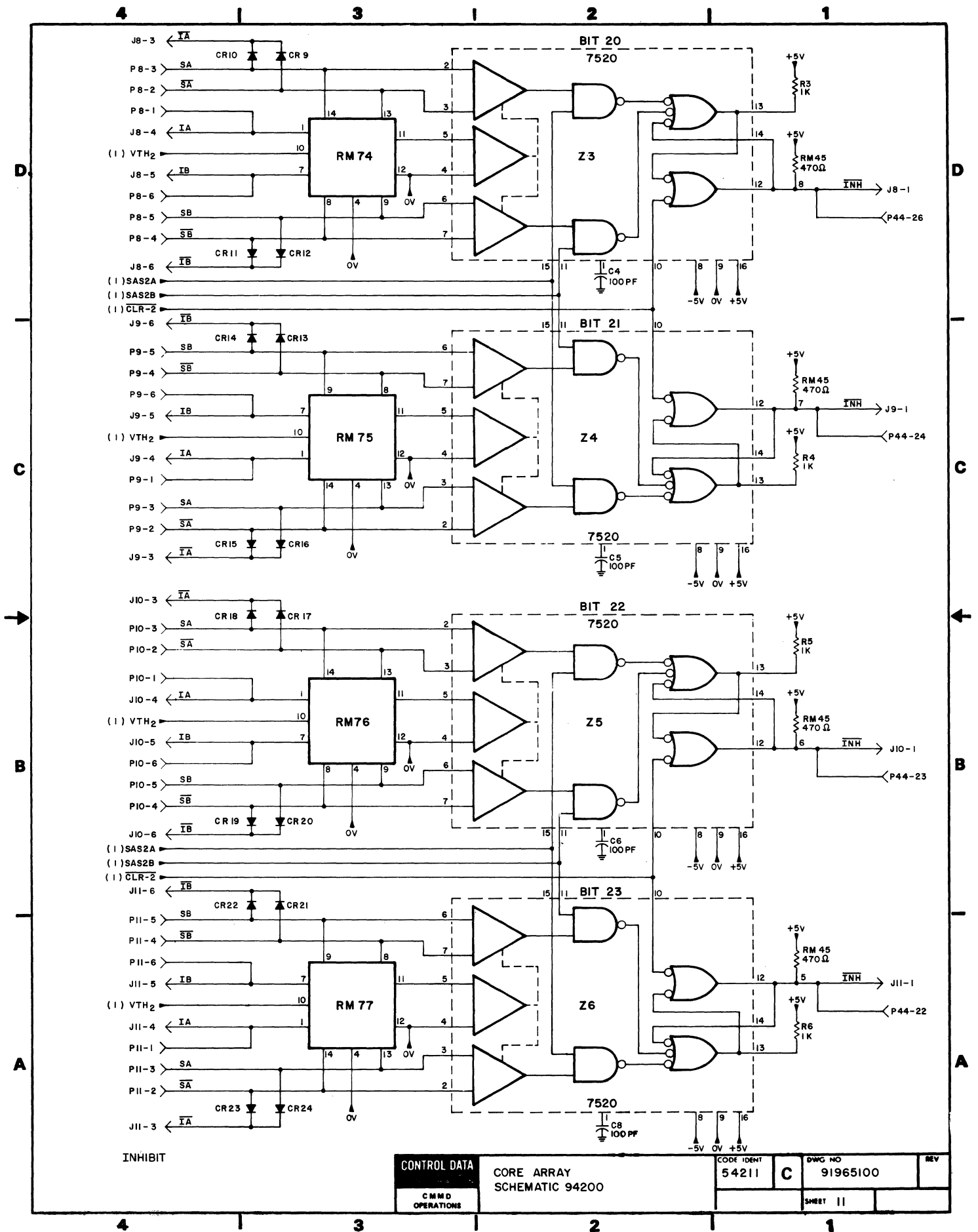
DWG NO 91965100

REV

C M M D OPERATIONS

SHEET 10

4 3 2 1



CONTROL DATA

CORE ARRAY
SCHEMATIC 94200

CODE IDENT
54211

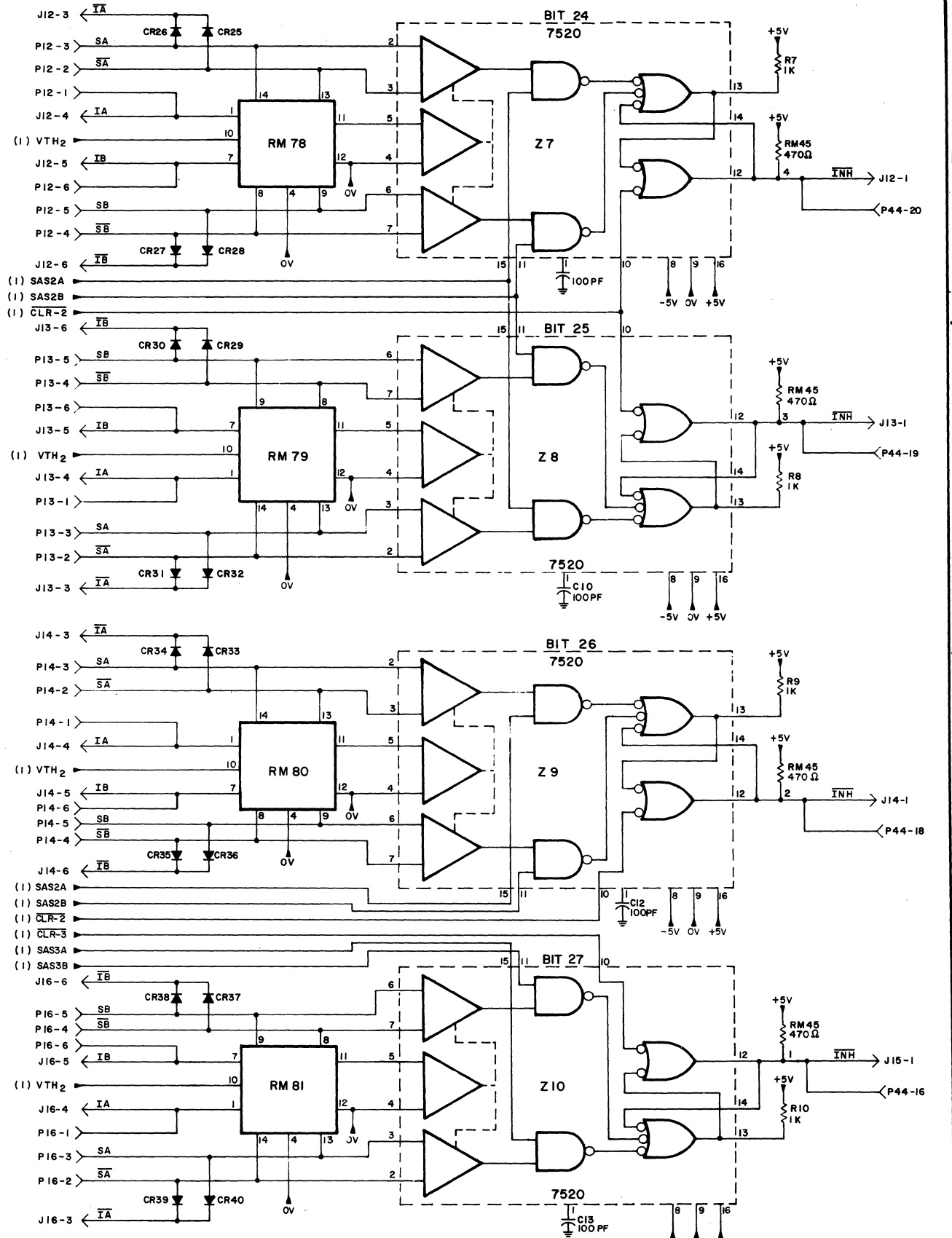
DWG NO
91965100

REV

C M M D
O P E R A T I O N S

SHEET 11

4 3 2 1

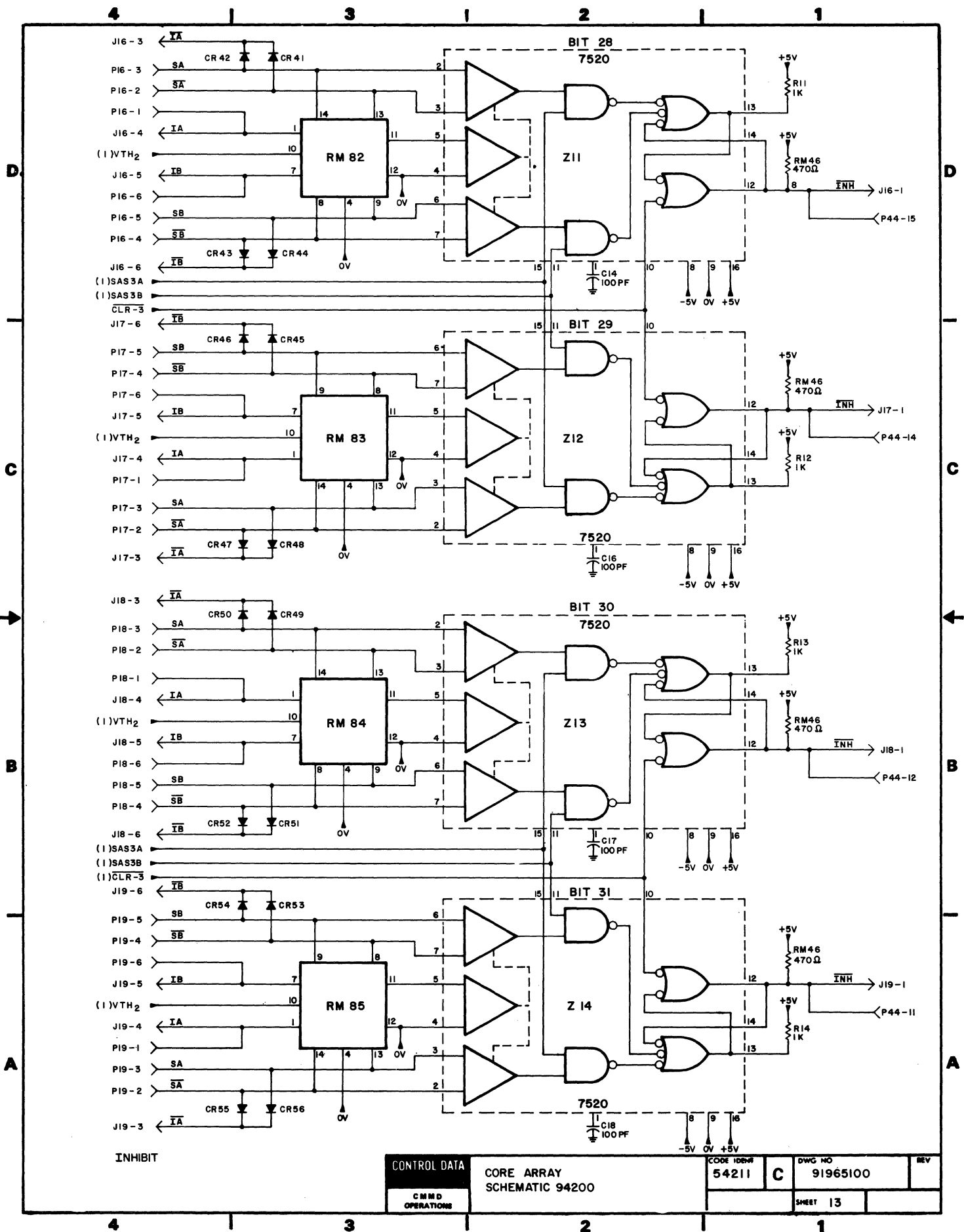


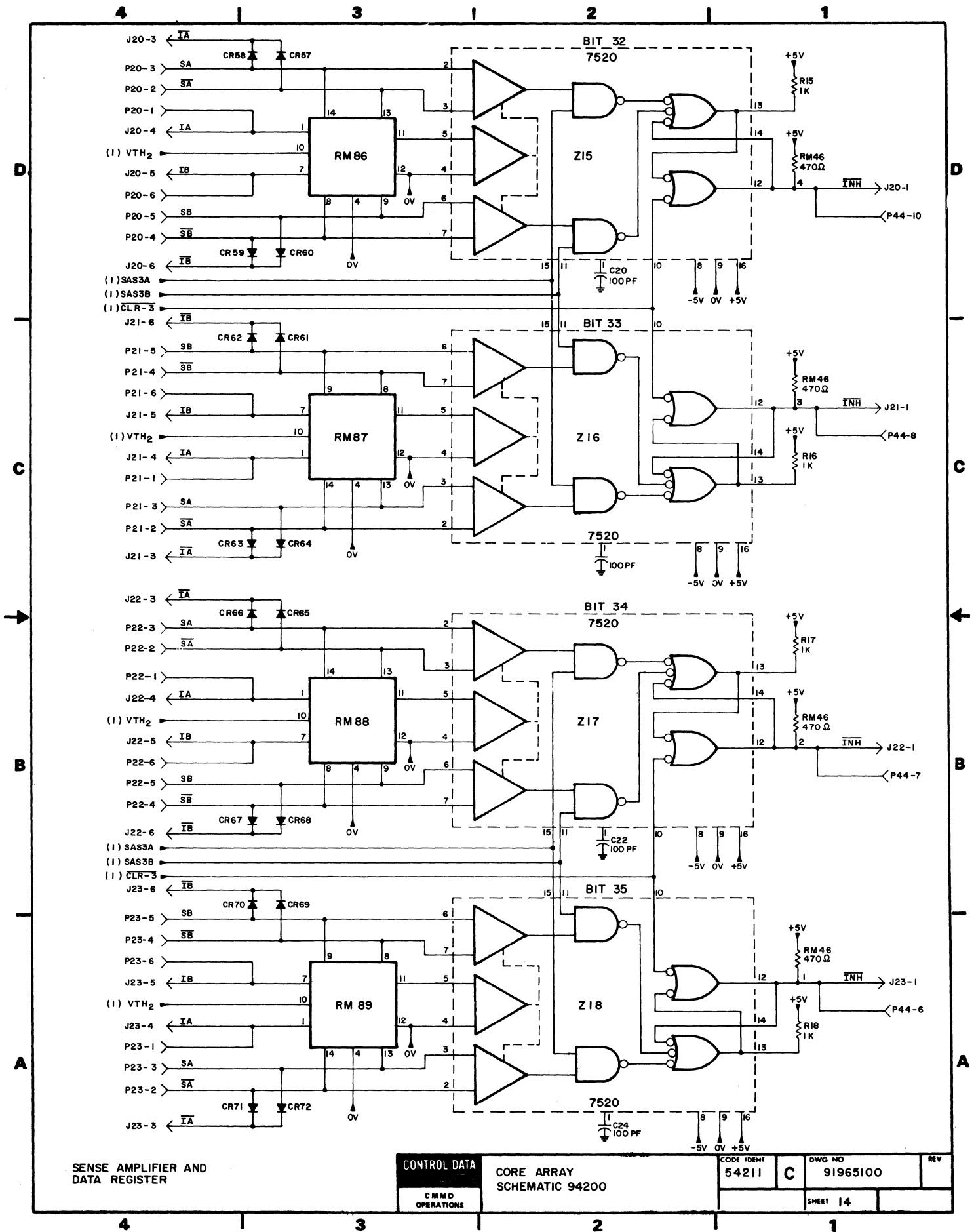
D
C
B
A

SENSE AMPLIFIER AND DATA REGISTER

| | | | | | |
|---------------------------------------|-------------------------------|--|---------------------|----------------------|-----|
| CONTROL DATA C M M D OPERATIONS | CORE ARRAY SCHEMATIC 94200 | | CODE IDENT 54211 | DWG NO C 91965100 | REV |
| | | | SHEET 12 | | |

4 3 2 1

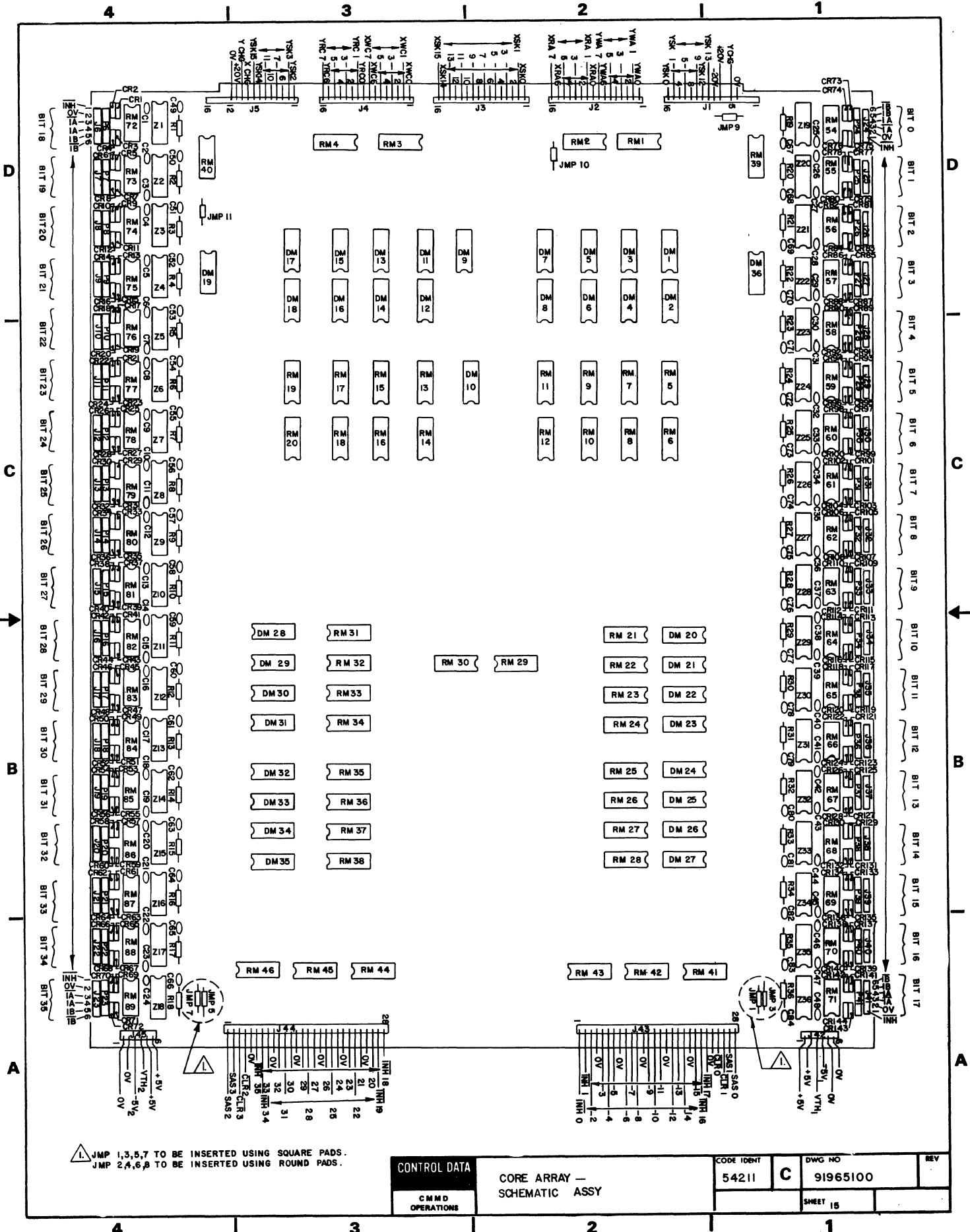




SENSE AMPLIFIER AND DATA REGISTER

CONTROL DATA
CORE ARRAY SCHEMATIC 94200
CMND OPERATIONS

| | | |
|---------------------|--------------------|-----|
| CODE IDENT 54211 | DWG NO 91965100 | REV |
| SHEET 14 | | |



| CONTROL DATA | | MEMORY ELECTRONICS BOARD COMPONENT ASSEMBLY OEM 16K X 36 BIT | | | | | | | | CODE IDENT | SHEET 1 of 6 | PL | DOCUMENT NO. 82842600 | REV. 02 |
|--------------|---------------------|--|-----|--|--|--|--|--|--|--------------|--|--|--------------------------|------------|
| FIND NO. | PART IDENTIFICATION | QUANTITY REQUIRED | | | | | | | | UNIT OF MEAS | NOMENCLATURE OR DESCRIPTION | SPECIFICATIONS, NOTES, OR MATERIAL | | |
| | | 00 | 01 | | | | | | | | | | | |
| 1 | 82842700 | 1 | 1 | | | | | | | | MEMORY ELECTRONICS BD. BCP DETAIL | | | |
| 2 | 82797000 | 2 | 2 | | | | | | | | HEADER, STRAIGHT 1-28, "BERG" 65274-3 | | | |
| 3 | 82813400 | 308 | 308 | | | | | | | | RECEPTACLE, MODD II. "AMP INC." 85861-2LP | | | |
| 4 | 82826600 | 2 | 2 | | | | | | | | EJECTOR, CARD "SCANBE" S-200 | | | |
| 5 | 18653610 | A/R | A/R | | | | | | | | WIRE, 28 AWG TEFLON STRANDED, WHITE | | | |
| 6 | | | | | | | | | | | | | | |
| 7 | 82843000 | - | - | | | | | | | | MEMORY ELECTRONICS BD. SCHEMATIC | | | |
| 8 | 62031200 | 20 | 20 | | | | | | | | SN7438J INTERGRATED CIRCUIT | Z40,41,44,45,50,51, 55,56,61,62,79,80 85,86,91,92,97,98 103,104 | | |
| 9 | 50254600 | 8 | 8 | | | | | | | | SN74S00J INTERGRATED CIRCUIT | Z42,46,48,64,65,81, 88,95 | | |
| 10 | 15109200 | 9 | 9 | | | | | | | | SN74S04J INTERGRATED CIRCUIT | Z37,38,39,66,83,84 94,107,111 | | |
| 11 | 15117100 | 3 | 3 | | | | | | | | SN74S05J INTERGRATED CIRCUIT | Z109,110,116 | | |
| 12 | 15150900 | 5 | 5 | | | | | | | | SN74S08J INTERGRATED CIRCUIT | Z52,57,58,59,63 | | |
| 13 | 50254700 | 4 | 4 | | | | | | | | SN74S10J INTERGRATED CIRCUIT | Z53,82,87,102 | | |
| 14 | 15116400 | 2 | 2 | | | | | | | | SN74S11J INTERGRATED CIRCUIT | Z90,100 | | |
| 15 | 50254900 | 3 | 3 | | | | | | | | SN74S20J INTERGRATED CIRCUIT | Z93,96,101 | | |
| 16 | 15127300 | 4 | 4 | | | | | | | | SN74S22J INTERGRATED CIRCUIT | Z43,49,54,60 | | |
| 17 | 50254800 | 3 | 3 | | | | | | | | SN74S40J INTERGRATED CIRCUIT | Z70,76,106 | | |
| 18 | 15117900 | 2 | 2 | | | | | | | | SN82S41 INTERGRATED CIRCUIT | Z99,105 | | |
| 19 | 15109700 | 1 | 1 | | | | | | | | SN74S74J INTERGRATED CIRCUIT | Z89 | | |

| CONTROL DATA | | MEMORY ELECTRONICS BOARD COMPONENT ASSEMBLY 06M 1LK x 36 BIT | | | | | | | | CODE IDENT | SHEET 2 of 6 | PL | DOCUMENT NO. 82842600 | REV. 02 |
|--------------|---------------------|--|-----|--|--|--|--|--|--|--------------|----------------------------------|--|--------------------------|------------|
| FIND NO. | PART IDENTIFICATION | QUANTITY REQUIRED | | | | | | | | UNIT OF MEAS | NOMENCLATURE OR DESCRIPTION | SPECIFICATIONS, NOTES, OR MATERIAL | | |
| | | 00 | 01 | | | | | | | | | | | |
| 20 | 17186100 | 8 | 8 | | | | | | | | SN74145J INTERGRATED CIRCUIT | Z117 - 124 | | |
| 21 | 15117400 | 7 | 7 | | | | | | | | SN74S157J INTERGRATED CIRCUIT | Z47,67,68,69 73,74,75 | | |
| 22 | 15138800 | 4 | 4 | | | | | | | | SN74S174J INTERGRATED CIRCUIT | Z71, 72, 77, 78 | | |
| 23 | 15113000 | 41 | 41 | | | | | | | | SN75452 INTERGRATED CIRCUIT | Z1-36, 108,112,113- 114,115 | | |
| 24 | 82801100 | 16 | 16 | | | | | | | | 420-9031 TRANSISTOR QUAD TMI | QM1-16 | | |
| 25 | 82796700 | 2 | 2 | | | | | | | | 610-9035 INDUCTOR TMI | L1,2 | | |
| 26 | 82796600 | 2 | 2 | | | | | | | | 500-9084 TRANSFORMER TMI | T68,80 | | |
| 27 | 82801200 | 10 | 10 | | | | | | | | 500-1031 TRANSFORMER TMI | T1,5,12,19,26,33,37, 44,51,58 | | |
| 28 | 82796500 | 38 | 38 | | | | | | | | 500-1033 TRANSFORMER TMI | T2,6,9,13,16,20,23, 27,30,34,38,41,45, 48,52,55,59,62,66, 67,69,70,72-79, 81,88 | | |
| 29 | 82796400 | 38 | 38 | | | | | | | | 500-1093 TRANSFORMER TMI | T3,4,7,8,10,11,14, 15,17,18,21,22,24, 25,28,29,31,32,35, 36,39,40,42,43,46, 47,49,50,53,54,56, 57,60,61,63,64,65, 71 | | |
| 30 | 82830900 | 1 | 1 | | | | | | | | 620-9029 DELAY LINE TMI | DL1 | | |
| 31 | 82788000 | 15 | 15 | | | | | | | | SN3467 TRANSISTOR | Q109-118,135,136, 137,128,138 | | |
| 32 | 82787900 | 119 | 119 | | | | | | | | 2N3725 TRANSISTOR | Q1-108,122-127,129- 131,139,140 | | |
| 33 | 82808300 | 25 | 25 | | | | | | | | 2N2369 TRANSISTOR | Q119,120,121,132, Q134,Q141-159 | | |

| CONTROL DATA | | MEMORY ELECTRONICS BOARD COMPONENT ASSEMBLY OEM 16K x 36 BIT | | | | | | | | CODE IDENT | SHEET 3 of 6 | PL | DOCUMENT NO. 82842600 | REV. 02 |
|--------------|---------------------|--|-----|--|--|--|--|--|--|--------------|----------------------------------|--|--------------------------|------------|
| FIND NO. | PART IDENTIFICATION | QUANTITY REQUIRED | | | | | | | | UNIT OF MEAS | NOMENCLATURE OR DESCRIPTION | SPECIFICATIONS, NOTES, OR MATERIAL | | |
| | | 00 | 01 | | | | | | | | | | | |
| 34 | 50240106 | 1 | 1 | | | | | | | | IN751A DIODE ZENER 5.1V | CR438 | | |
| 35 | 50240108 | 2 | 2 | | | | | | | | IN753A DIODE ZENER 6.2V | CR295-437 | | |
| 36 | 16797605 | 2 | 2 | | | | | | | | IN3826 DIODE ZENER 5.1V 1W | CR439,440 | | |
| 37 | 82788100 | 460 | 460 | | | | | | | | IN4607 NDP127P DIODE UNITRODE | CR1-294,296,436, 441-465 | | |
| 38 | 82797300 | 31 | 31 | | | | | | | | CAPACITOR 01uf 50V 20% | C7,23,24,27-44,68, 103-110,22 | | |
| 39 | 82799501 | 5 | 5 | | | | | | | | CAPACITOR 100pf 500V 2% | C10-C14 | | |
| 40 | 24504353 | 27 | 27 | | | | | | | | CAPACITOR 33uf 10V 20% | C1-5,8,9,18,50-60, 69-72,90-93 | | |
| 41 | 24504383 | 42 | 42 | | | | | | | | CAPACITOR 15uf, 20V 20% | C6,15-17,19,21,25,26, 61-67,73-89,94-102 | | |
| 42 | 24500001 | 3 | 3 | | | | | | | | RESISTOR 2.7 Ω 1/4W 5% | R251,252,253 | | |
| 43 | 24500025 | 10 | 10 | | | | | | | | RESISTOR 27 Ω 1/4W 5% | R111,114,117,120 123,126,129,132, 135,138 | | |
| 44 | 24500027 | 11 | 11 | | | | | | | | RESISTOR 33 Ω 1/4W 5% | R147,148,149,153, 154,246-250,258 | | |
| 45 | 24500029 | 36 | 36 | | | | | | | | RESISTOR 39 Ω 1/4W 5% | R1,4,7,10,13,16,19, 22,25,28,31,34,37, 40,43,45,39,52,55, 58,61,64,67,70,73, 76,79,82,85,88,91, 94,97,100,103,106 | | |
| 46 | 24500033 | 12 | 12 | | | | | | | | RESISTOR 56 Ω 1/4W 5% | R181-184,189-196 | | |
| 47 | 24500035 | 2 | 2 | | | | | | | | RESISTOR 68 Ω 1/4W 5% | R185,186 | | |
| 48 | 24500039 | 7 | 7 | | | | | | | | RESISTOR 100 Ω 1/4W 5% | R141,207,208,209, 210, R262,268 | | |
| 49 | 24500045 | 1 | 1 | | | | | | | | RESISTOR 180 Ω 1/4W 5% | R146,R244 | | |
| 50 | 24500047 | 3 | 3 | | | | | | | | RESISTOR 220 Ω 1/4W 5% | R155,286,295 | | |

| CONTROL DATA | | MEMORY ELECTRONICS BOARD COMPONENT ASSEMBLY OEM 16K x 36 BIT | | | | CODE IDENT | | | | SHEET 4 of 6 | | PL | DOCUMENT NO. 82842600 | REV. 02 |
|--------------|---------------------|--|----|--|--|------------|--|--|--|--------------|-----------------------------|--|--------------------------|------------|
| FIND NO. | PART IDENTIFICATION | QUANTITY REQUIRED | | | | | | | | UNIT OF MEAS | NOMENCLATURE OR DESCRIPTION | SPECIFICATIONS, NOTES, OR MATERIAL | | |
| | | 00 | 01 | | | | | | | | | | | |
| 51 | 24500051 | 16 | 16 | | | | | | | | RESISTOR 330 1/4W 5% | R109,112,115,118, 121,124,127,130,138, 136,150,156,158,242, 289,293 | | |
| 52 | | | | | | | | | | | | | | |
| 53 | 24500055 | 23 | 23 | | | | | | | | RESISTOR 470 1/4W 5% | R110,113,116,119, 122, 125,128,131, 134,137,160,161, 165,168,170,243, 269,270,277,280,282, 287,291 | | |
| 54 | 24500063 | 10 | 10 | | | | | | | | RESISTOR 1K 1/4W 5% | R139,140,144,162,290, 163,166,167,203-04 | | |
| 55 | 24500069 | 2 | 2 | | | | | | | | RESISTOR 1.8K 1/4W 5% | R143,R159 | | |
| 56 | 24500071 | 12 | 12 | | | | | | | | RESISTOR 2.2K 1/4W 5% | R145,151,152,157, 164,169,171,172, 263-265,267 | | |
| 57 | 24500079 | 73 | | | | | | | | | RESISTOR 4.7K 1/4W 5% | R2,3,4,6,8,9,11,12, 14,15,17,18,20,21,23, 24,26,27,29,30,32,33, 35,36,38,39,41,42, 44,45,47,48,50,51, 53,54,56,57,59,60, 62,63,65,66,68,69, 71,72,74,75,77,78, 80,81,83,84,86,87, 89,90,92,93,95,96, 98,99,101,102,104, 105,107,108,142 | | |
| 58 | | | | | | | | | | | | | | |
| 59 | 24500083 | 1 | 1 | | | | | | | | RESISTOR 6.8K 1/4W 5% | R281 | | |
| 60 | 24500139 | 2 | 2 | | | | | | | | RESISTOR 100 1/2W 5% | R146, R294 | | |
| 61 | 24500147 | 2 | 2 | | | | | | | | RESISTOR 220 1/2W 5% | R179,180 | | |

| CONTROL DATA | | MEMORY ELECTRONICS BOARD COMPONENT ASSEMBLY QEM 16K X 36 BIT | | | | | | | | CODE IDENT | SHEET 5 of 6 | PL | DOCUMENT NO. 82842600 | REV. 02 |
|--------------|---------------------|--|----|--|--|--|--|--|--|--------------|-----------------------------|---|--------------------------|------------|
| FIND NO. | PART IDENTIFICATION | QUANTITY REQUIRED | | | | | | | | UNIT OF MEAS | NOMENCLATURE OR DESCRIPTION | SPECIFICATIONS, NOTES, OR MATERIAL | | |
| | | 00 | 01 | | | | | | | | | | | |
| 62 | 24500150 | 2 | 2 | | | | | | | | RESISTOR 300 1/2W 5% | R205,206 | | |
| 63 | 24500159 | 2 | 2 | | | | | | | | RESISTOR 680 1/2W 5% | R241,245 | | |
| 64 | 24500163 | 1 | 1 | | | | | | | | RESISTOR 1K 1/2W 5% | R255 | | |
| 65 | 24500165 | 1 | 1 | | | | | | | | RESISTOR 1.2K 1/2W 5% | R254 | | |
| 66 | 24500171 | 4 | 4 | | | | | | | | RESISTOR 2.2K 1/2W 5% | R177,178,187,188 | | |
| 67 | 68583315 | 2 | 2 | | | | | | | | RESISTOR 39.2 1/8W 1% | R201,202 | | |
| 68 | 68583384 | 2 | 2 | | | | | | | | RESISTOR 46.4 1/8W 1% | R259,260 | | |
| 69 | 68583329 | 1 | 1 | | | | | | | | RESISTOR 150 1/8W 1% | R261 | | |
| 70 | 68583344 | 1 | 1 | | | | | | | | RESISTOR 562 1/8W 1% | R285 | | |
| 71 | 68583352 | 3 | 3 | | | | | | | | RESISTOR 1.21K 1/8W 1% | R278,288,292 | | |
| 72 | 68583358 | 1 | 1 | | | | | | | | RESISTOR 2.21K 1/8W 1% | R283 | | |
| 73 | 82831003 | 1 | 1 | | | | | | | | RESISTOR 3 3W 1% | R256 | | |
| 74 | 82831021 | 1 | 1 | | | | | | | | RESISTOR 12 3W 1% | R257 | | |
| 75 | 82831019 | 6 | 6 | | | | | | | | RESISTOR 38 5W 3% | R271-276 | | |
| 76 | 82799400 | 1 | 1 | | | | | | | | POTENTIOMETER 500 | R266 | | |
| 77 | 24500133 | 4 | 4 | | | | | | | | RESISTOR 56 1/2W 5% | R197,198,199,200 | | |
| 78 | 91938428 | - | 15 | | | | | | | | RESISTOR MODULE 470 | RM-1,3,4,7,9,11,13, 15,17,19,21,23,25, 27,29 | | |
| 79 | 91938426 | - | 15 | | | | | | | | RESISTOR MODULE 390 | RM-2,4,6,8,10,12, 14,16,18,20,22,24, 26,28,30 | | |

| CONTROL DATA | | CORE ARRAY BOARD COMPONENT ASSEMBLY OEM 16K X 36 | | | | CODE IDENT | | | | SHEET 1 of 2 | | PL | DOCUMENT NO. 82791402 | | REV. |
|--------------|---------------------|--|--|--|--|------------|--|--|--|--------------|---|---|--------------------------|--|------|
| FIND NO. | PART IDENTIFICATION | QUANTITY REQUIRED | | | | | | | | UNIT OF MEAS | NOMENCLATURE OR DESCRIPTION | SPECIFICATIONS, NOTES, OR MATERIAL | | | |
| | | | | | | | | | | | | | | | |
| 1 | 82792200 | 1 | | | | | | | | | PCB DETAIL | | | | |
| 2 | 24500063 | 36 | | | | | | | | | RESISTOR 1.0K 1/4W 5% 10% | R1-36 | | | |
| 3 | 82797200 | 36 | | | | | | | | | CAPACITOR 100Pf 100V | C1-2,4-6,8-10,12-14, 16-18,20-22,24,25, 27-29,31-33,35-37, 39-41,43-45,47,48, (3,7,11,15,19,23,26, 30,34,38,42,46,49-84 | | | |
| 4 | 82797300 | 48 | | | | | | | | | CAPACITOR 01uF 50V 20% | | | | |
| 5 | 82780802 | 36 | | | | | | | | | DIODE MODULES | DM1-36 | | | |
| 6 | 82796300 | 32 | | | | | | | | | RESISTOR MODULES 330 Ω | RM5-28,31-38 | | | |
| 7 | 82780700 | 14 | | | | | | | | | RESISTOR MODULES 470 Ω | RM1-4,29,30,39-46 | | | |
| 8 | 82788100 | 144 | | | | | | | | | DIODE IN4607 | CR1-144 | | | |
| 9 | 82834300 | 36 | | | | | | | | | RECEPTACLE HEADER, STRAIGHT 1-28 BERG 65274-3 | | | | |
| 12 | 82813400 | 56 | | | | | | | | | RECEPTACLE MODD II AMPING 85861-2LP | | | | |
| 16 | 82795500 | REF | | | | | | | | | CORE ARRAY TEST SPEC SN7520 | | | | |
| 19 | 15127500 | 36 | | | | | | | | | INTEGRATED CIRCUIT | Z1-Z36 | | | |
| 20 | 82800900 | 36 | | | | | | | | | RESISTOR NETWORK | RM54-89 | | | |
| 22 | 82795400 | 1 | | | | | | | | | SUBSTRATE | | | | |
| 23 | 82795200 | 1 | | | | | | | | | CORE COVER | | | | |
| 24 | 82795300 | REF | | | | | | | | | WIRING DIAGRAM | | | | |
| 25 | 91965100 | REF | | | | | | | | | SCHEMATIC | | | | |
| 27 | 24524418 | - | | | | | | | | | MAG WIRE | | | | |

ALPHABETICAL LISTING OF MEMORY MODULE MNEMONICS

A

| <u>Mnemonic</u> | <u>Description</u> |
|-----------------|------------------------------------|
| AD00-17 | Address inputs 00 through 17 |
| B0-B3 | Byte inputs 0 through 3 |
| B Hold | Byte hold |
| BCT | Byte control timing |
| CI | Cycle initiate |
| CLR 0-3 | Clear 0 through 3 |
| CPM | Clock pulses for memory |
| DA | Data available |
| DI 00-36 | Data in 00 through 36 |
| DIT | Data in timing |
| DO 00-36 | Data out 00 through 36 |
| DOT | Data out timing |
| DOS 0-3 | Data out strobe |
| DS | Data save |
| EC | End of cycle |
| ER | End of read |
| INH 1-4 | Inhibit timing 1 through 4 |
| INHR | Inhibit rise time |
| LDT | Late data in timing |
| MA00-17 | Memory address 00 through 17 |
| MB | Memory busy |
| MB 0-3 | Memory byte 0 through 3 |
| MRMW | Memory read modify write |
| MWW | Memory word write |
| QT 1-24 | Q clock timing 1 through 24 |
| RCLR | Read clear |
| RMW | Read modify write |
| RST | Read start time |
| SAS 0-3 | Sense amplifier strobe 0 through 3 |
| VTH | Voltage threshold |
| WCLR | Write clear |
| WDT | Write data timing |
| WE 0-3 | Write enable 0 through 3 |
| WI | Write initiate |
| WINH | Write inhibit |
| WST | Write start time |
| WW | Word write |
| XRC | X read current |
| XRDT | X read timing |
| XWC | X write current |
| XSKT | X sink timing |
| YRC | Y read current |
| YRDT | Y read timing |
| YWC | Y write current |
| YSKT | Y sink timing |

INTERFACE CONNECTOR CHART

B

| Connector J46 | | | | Connector J47 | | | |
|---------------|--------|---------|--------|---------------|--------|---------|-----------|
| Pin No. | Signal | Pin No. | Signal | Pin No. | Signal | Pin No. | Signal |
| 1 | +5 | 41 | 0V | 1 | +15 | 41 | 0V |
| 2 | +5V | 42 | 0V | 2 | +15V | 42 | 0V |
| 3 | +5 | 43 | DI25 | 3 | 0V | 43 | D006 |
| 4 | +5 | 44 | D025 | 4 | 0V | 44 | DI06 |
| 5 | Reset | 45 | WI | 5 | AD05 | 45 | DI11 |
| 6 | LDT | 46 | CI | 6 | AD09 | 46 | D011 |
| 7 | -15V | 47 | DI22 | 7 | AD10 | 47 | 0V |
| 8 | -15V | 48 | D022 | 8 | AD06 | 48 | 0V |
| 9 | +15 | 49 | 0V | 9 | AD11 | 49 | DI10 |
| 10 | +15 | 50 | 0V | 10 | AD08 | 50 | D010 |
| 11† | | 51 | DI23 | 11 | AD07 | 51 | DI13 |
| 12† | | 52 | D023 | 12 | AD04 | 52 | D013 |
| 13 | D026 | 53 | DI20 | 13 | AD02 | 53 | 0V |
| 14 | DI26 | 54 | D020 | 14 | AD01 | 54 | 0V |
| 15 | D035 | 55 | D018 | 15 | AD03 | 55 | DI12 |
| 16 | DI35 | 56 | DI18 | 16 | AD00 | 56 | D012 |
| 17 | 0V | 57 | D019 | 17 | CD0 | 57 | D014 |
| 18 | 0V | 58 | DI19 | 18 | ER | 58 | 16K/32K†† |
| 19 | DI34 | 59 | DI24 | 19 | 0V | 59 | DI14 |
| 20 | D034 | 60 | D024 | 20 | 0V | 60 | 0V |
| 21 | D033 | 61 | DI21 | 21 | DI00 | 61 | D015 |
| 22 | DI33 | 62 | D021 | 22 | D000 | 62 | DI15 |
| 23 | 0V | 63 | EC | 23 | DI01 | 63 | D016 |
| 24 | 0V | 64 | DA | 24 | D001 | 64 | DI16 |
| 25 | D032 | 65 | B0 | 25 | D002 | 65 | 0V |
| 26 | DI32 | 66 | MB | 26 | DI02 | 66 | 0V |
| 27 | D030 | 67 | AD16 | 27 | D007 | 67 | D017 |
| 28 | DI30 | 68 | B2 | 28 | DI07 | 68 | DI17 |
| 29 | 0V | 69 | AD12 | 29 | DI09 | 69 | Spare |
| 30 | 0V | 70 | WW | 30 | D009 | 70 | Spare |
| 31 | DI31 | 71 | AD13 | 31 | DI03 | 71 | +15V |
| 32 | D031 | 72 | AD15 | 32 | D003 | 72 | +15V |
| 33 | D029 | 73 | B1 | 33 | DI05 | 73 | -15V |
| 34 | DI29 | 74 | AD14 | 34 | D005 | 74 | -15V |
| 35 | 0V | 75 | AD17 | 35 | 0V | 75 | Data Save |
| 36 | 0V | 76 | B3 | 36 | 0V | 76 | Spare |
| 37 | D028 | 77 | BCT††† | 37 | DI04 | 77 | +5V |
| 38 | DI28 | 78 | RMW | 38 | D004 | 78 | +5V |
| 39 | D027 | 79 | -15 | 39 | DI08 | 79 | +5V |
| 40 | DI27 | 80 | -15 | 40 | D008 | 80 | +5 |

†Used if external current control desired.

††Pin is open for 16K by 36 bit operation, wired to ground for 32K by 18 bit operation.

†††Pin is open for BCT at WI time in RMW mode, wired to ground for BWT at t_0 in RMW mode.
Refer to byte control timing in text.

(

(

(

(

(

(

(

COMMENT SHEET

MANUAL TITLE CDC 94200 Core Memory

Technical Manual

PUBLICATION NO. 60448600 REVISION A

FROM: NAME: _____

BUSINESS
ADDRESS: _____

CUT ALONG LINE

PRINTED IN U.S.A.

AA3419 REV. 7/75

NO POSTAGE STAMP NECESSARY IF MAILED IN U. S. A.

FOLD ON DOTTED LINES AND STAPLE

STAPLE

STAPLE

FOLD

FOLD

FIRST CLASS
PERMIT NO. 8241
MINNEAPOLIS, MINN.

BUSINESS REPLY MAIL
NO POSTAGE STAMP NECESSARY IF MAILED IN U.S.A.

POSTAGE WILL BE PAID BY
CONTROL DATA CORPORATION
Publications and Graphics Division
ARH219
4201 North Lexington Avenue
Saint Paul, Minnesota 55112



CUT ALONG LINE

FOLD

FOLD