

---

**CONTROL DATA®  
COMPUTER SYSTEMS  
CORDWOOD MODULES**

**MODULES V-Z**

---

**Volume 3 of 3**

**PRINTED CIRCUIT MANUAL**

New features, as well as changes, deletions, and additions to information in this manual, are indicated by bars in the margins or by a dot near the page number if the entire page is affected. A bar by the page number indicates pagination rather than content has changed.

<b>RECORD of REVISIONS</b>	
<b>REVISION</b>	<b>NOTES</b>
A thru F	Affects Volumes 1 and 2 only (60042900).
G	6600 Information and Circuit Module Schematics added as Volume 3.
H (5-7-65)	Vol. 3, addition of revised Record of Revisions. Replace the following revised pages: 6600-4, 6600-5, 6600-8, 6600-14, and add new pages 6600-15, 6600-16 and schematics MK and AC.
J (10-1-65)	Change Order CA11567. Major revision to this manual obsoleting all previous editions.
K (3-15-66)	Publication Change Order CA13034. Title changed to Printed Circuit Manual Cordwood Modules. Vol. 1, A-J; Vol. 2, K-U; Vol. 3, V-Z. Introduction revised. Printed circuit card information added and reorganized. This printing obsoletes all previous editions.
L (9-9-66)	Engineering Change Order 13534. Modules XL01 thru XL10 revised.
M	Field Change Order 13812. Module Z07 revised.
N (9-9-66)	Engineering Change Order 13441. Modules V17 and V43 revised.
P (9-9-66)	Publications Change Order 14574. To incorporate corrections and additions.
R (11-22-66)	Publications Change Order 15171. To incorporate corrections and additions.
S (3-2-67)	Publications Change Order 15937. To incorporate corrections and additions.
T (5-12-67)	Publications Change Order 16432. To incorporate corrections and additions.
U (7-21-67)	Publications Change Order 16938. To incorporate corrections and additions.
V (3-13-68)	Publications Change Order 17486. To incorporate corrections and additions.
W (3-13-68)	Publications Change Order 18211. To incorporate corrections and additions.
Y (3-13-68)	Publications Change Order 18883. To incorporate corrections and additions.
Z (1-20-69)	Engineering Change Order 21455, publications change only. The following cordwood modules are added to the manual: AU, DP, DQ, FO, FZ, LX, QX, SN, SP, SQ, ST, SU, SW, SX, YA, Z99.
AA (5-5-70)	Engineering Change Order 24619, document change only.
AB (5-5-70)	Engineering Change Order 25341, publications change only. To incorporate corrections and additions.
AC (11-15-71)	Engineering Change Order 26839. No change to this manual.
AD (11-15-71)	Field Change Order 26792. RDZ and REN Modules added.
AE (11-15-71)	Field Change Order 26611. REJ Module added. Also to incorporate corrections and additions.
AF (4-10-72)	Engineering Change Order 30954. Pages LX, RCT, TCW, RDS, REM, REX, V17, ZO, ZR, ZS, ZT, are revised.
AG (9-8-72)	Manual revised; includes Engineering Change Order 30804. RFM module is added.
AH (9-8-72)	Engineering Change Order 30429. No change to this manual.
AJ (9-8-72)	Manual revised; includes Engineering Change Order 32225. CM is revised. RCM, RCX, REY, REZ, Z45 are added.

**REVISION LETTERS I, O, Q AND X ARE NOT USED**

Pub No. 60042700  
 © 1965, 1966, 1967, 1968, 1969, 1970, 1971, 1972, 1973, 1974, 1975, 1976  
 by Control Data Corporation  
 Printed in United States of America

Address comments concerning this manual to:

Control Data Corporation  
 Publications and Graphics Division  
 4201 North Lexington Avenue  
 St. Paul, Minnesota 55112

or use Comment Sheet in the back of this manual.

FORM CA230 REV. 1-67

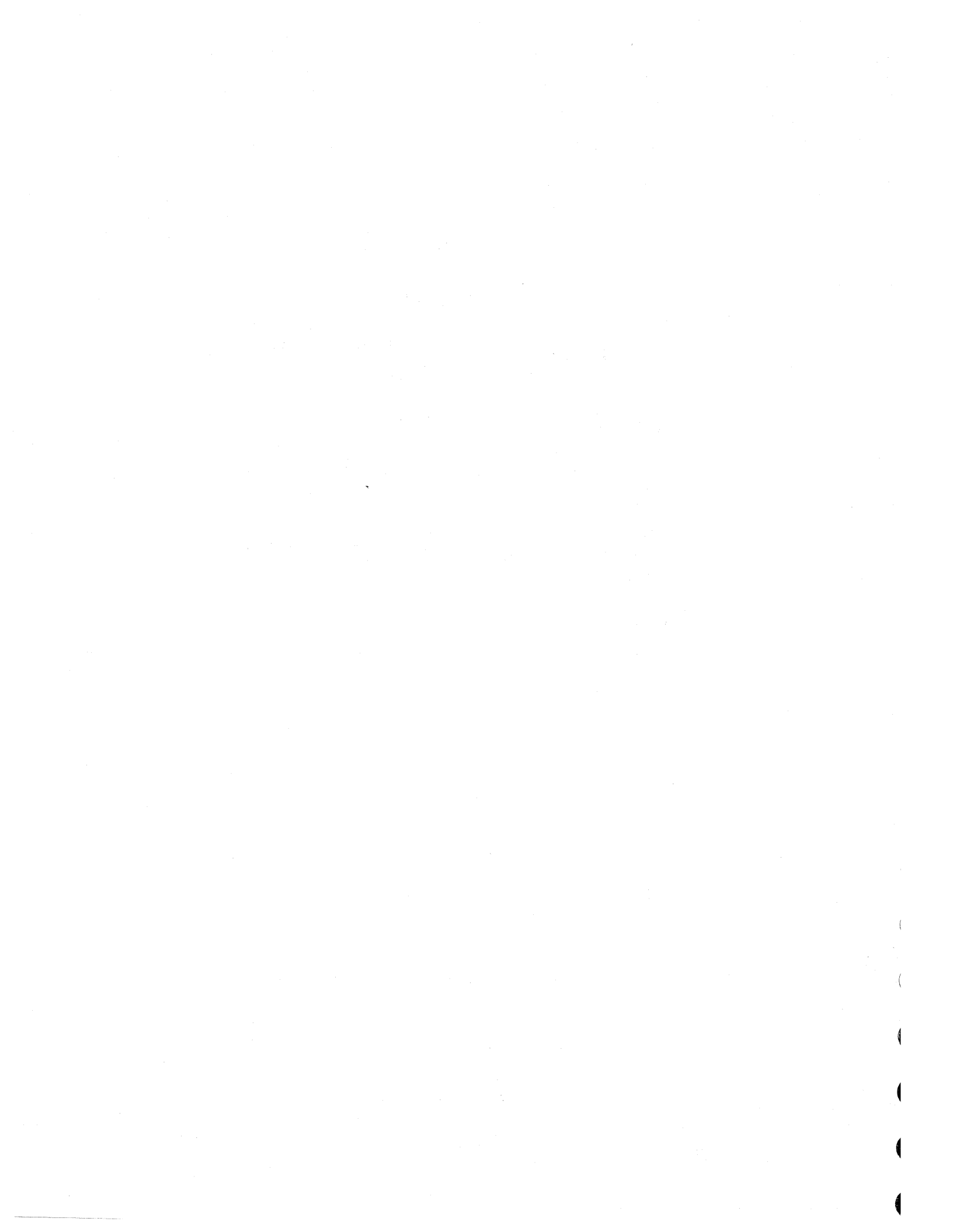






## PREFACE

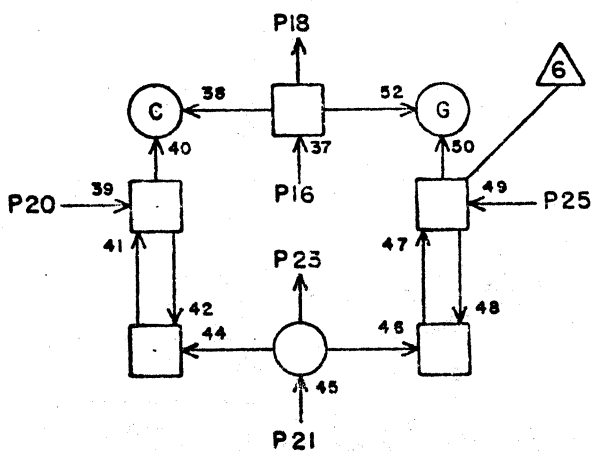
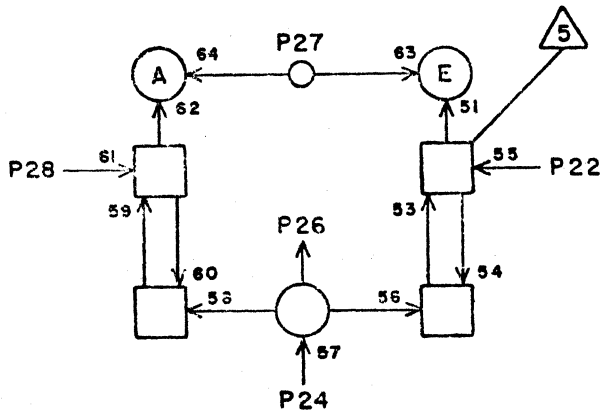
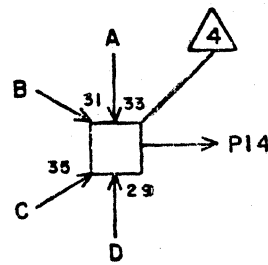
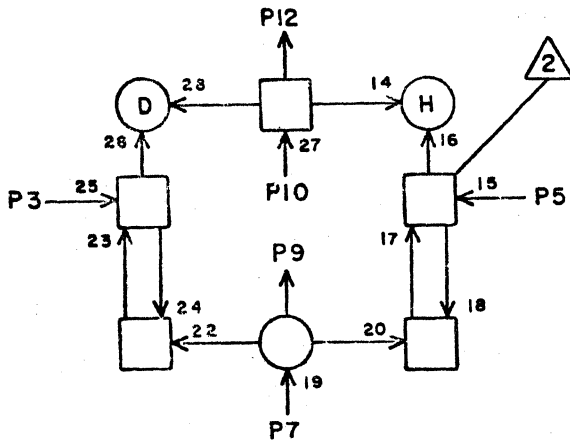
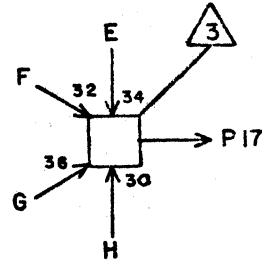
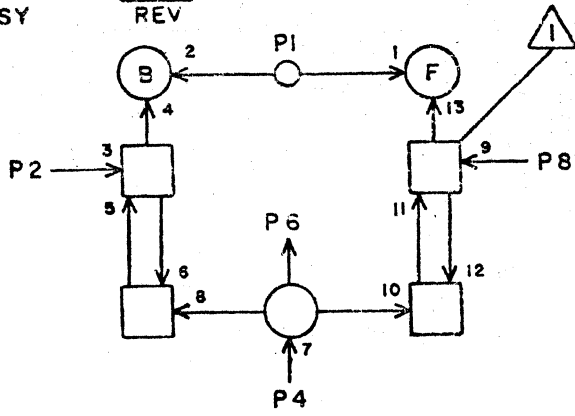
The logic schematic diagrams of cordwood modules are entered into these volumes in alpha-numeric sequence. The logic schematic pages in these volumes are updated when the LS page of the engineering document (number at top of each logic schematic) is changed by revision. The revision letter of the engineering document shown at the top of each schematic is not changed in this manual when only parts list pages of the document are revised.



## GENERAL CONTENTS

<b>Volume 1</b>	<b>Cordwood Module Logic Schematic Numbers and Revision Levels</b>	<b>vii</b>
	<b>Introduction</b>	<b>1</b>
	<b>Cordwood Module Schematics, A-J</b>	
<b>Volume 2</b>	<b>Cordwood Module Logic Schematic Numbers and Revision Levels</b>	<b>vii</b>
	<b>Cordwood Module Schematics, K-U</b>	
<b>Volume 3</b>	<b>Cordwood Module Logic Schematic Numbers and Revision Levels</b>	<b>vii</b>
	<b>Cordwood Module Schematics, V-Z</b>	

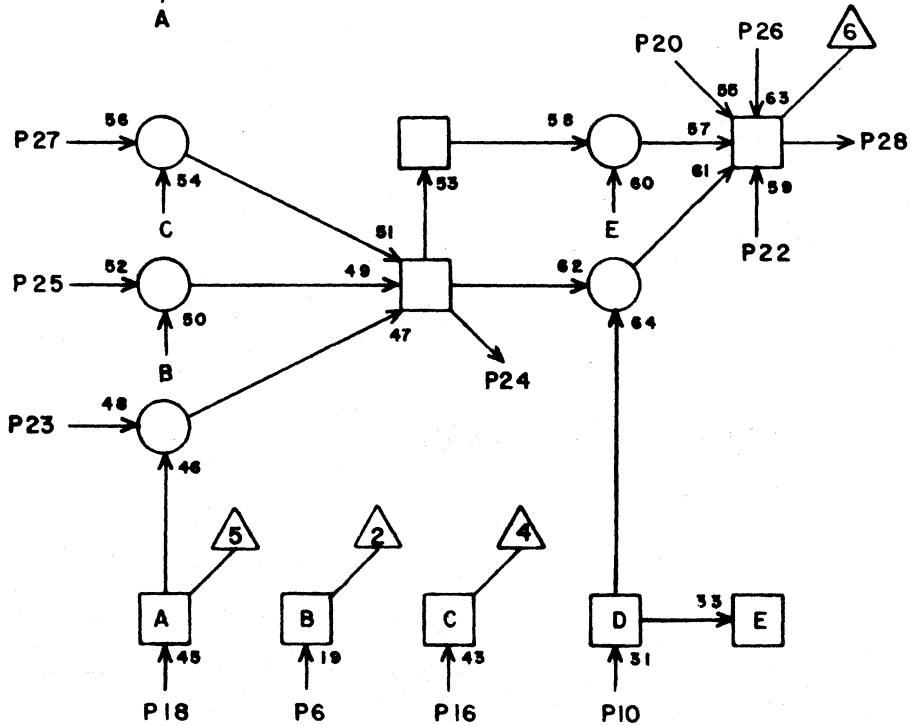
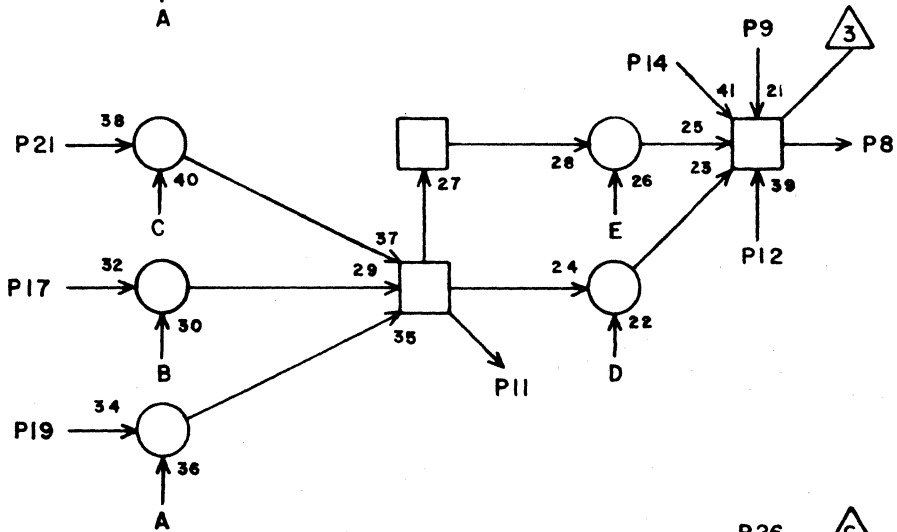
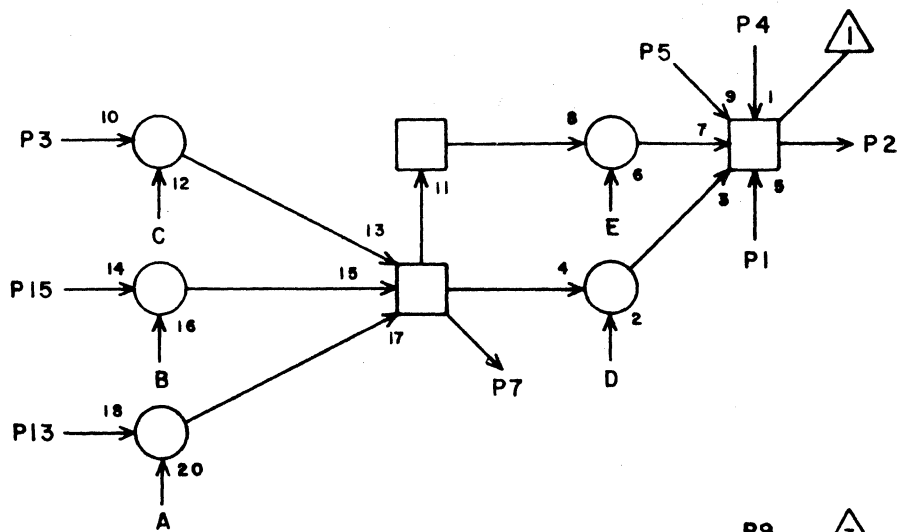




1			
2			
3			
4			
5			
6			
7			
8			
9			
10			
11			
12			
13			
14			
15			
16			
17			
18			
19			
20			
21			
22			
23			
24			
25			
26			
27			
28			

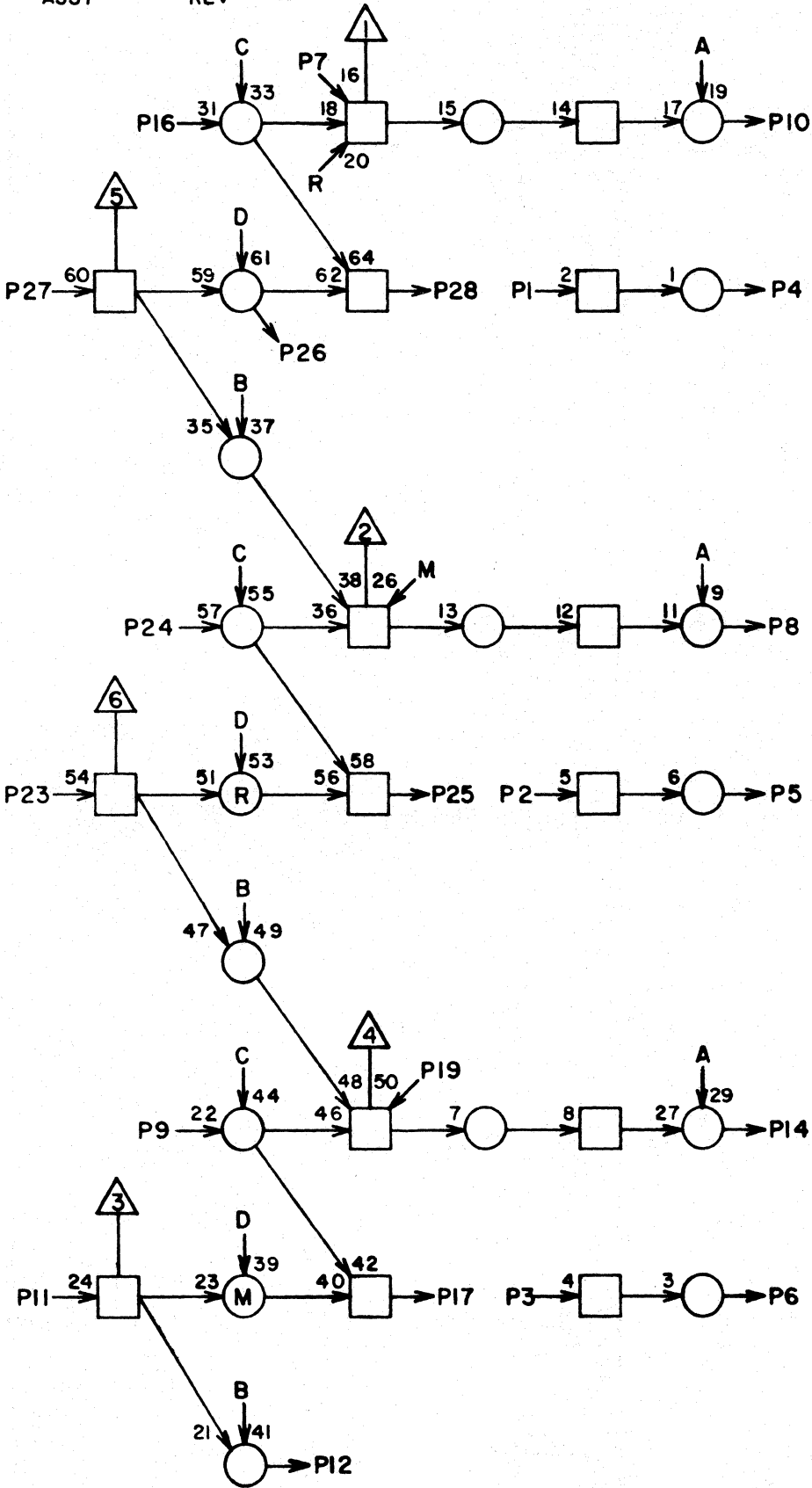
JACK PIN LG



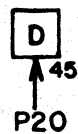
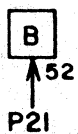
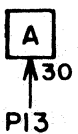


1			
2			
3			
4			
5			
6			
7			
8			
9			
10			
11			
12			
13			
14			
15			
16			
17			
18			
19			
20			
21			
22			
23			
24			
25			
26			
27			
28			

JACK PIN LG  
CIRCUIT SPECIFICATION I1827600

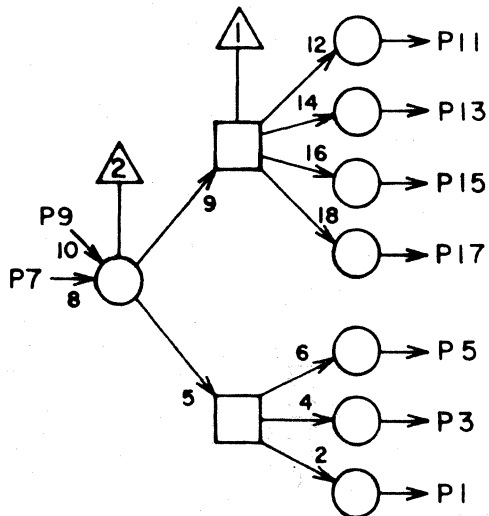
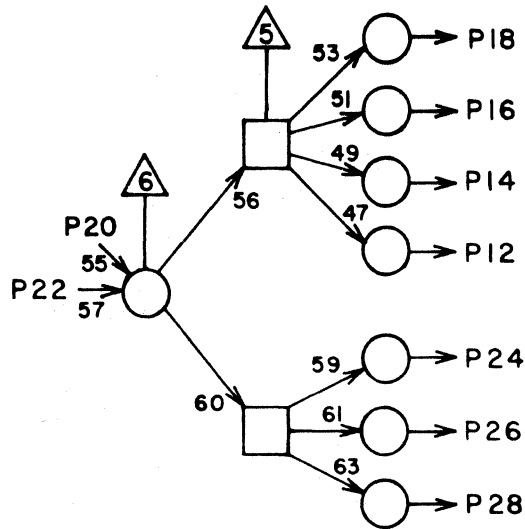
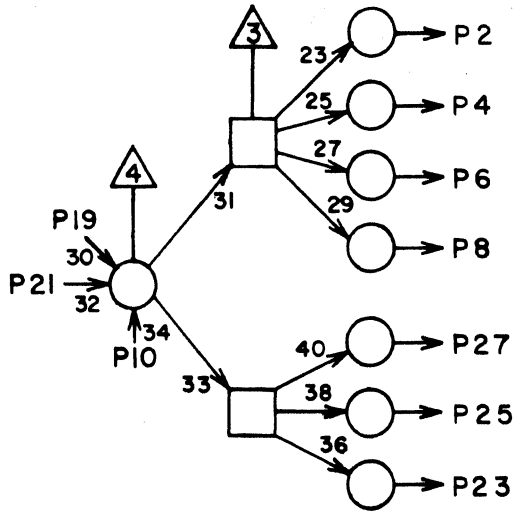


1			
2			
3			
4			
5			
6			
7			
8			
9			
10			
11			
12			
13			
14			
15			
16			
17			
18			
19			
20			
21			
22			
23			
24			
25			
26			
27			
28			



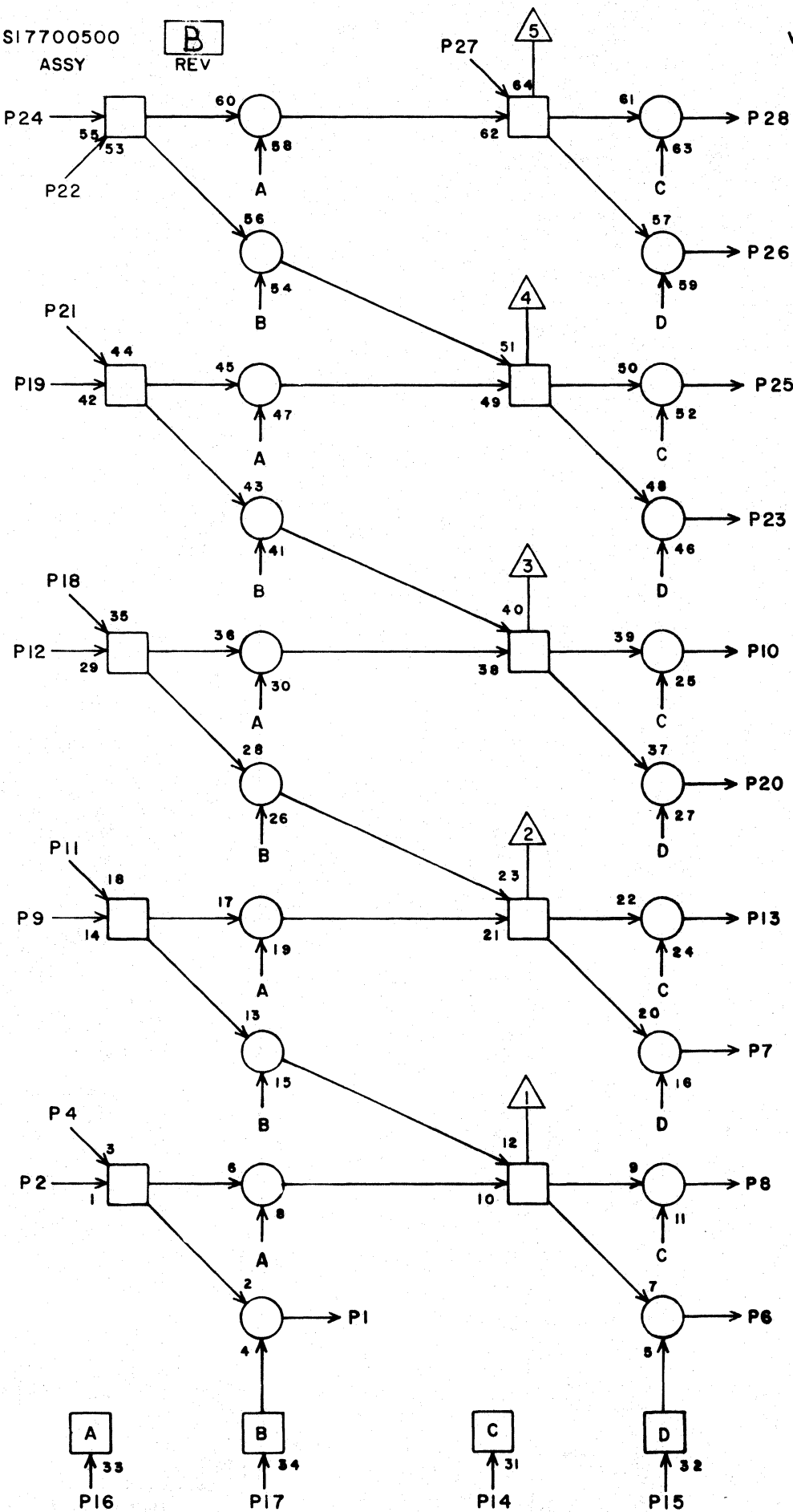
JACK PIN LG  
CIRCUIT SPECIFICATION 11827600  
60042700 Rev. J





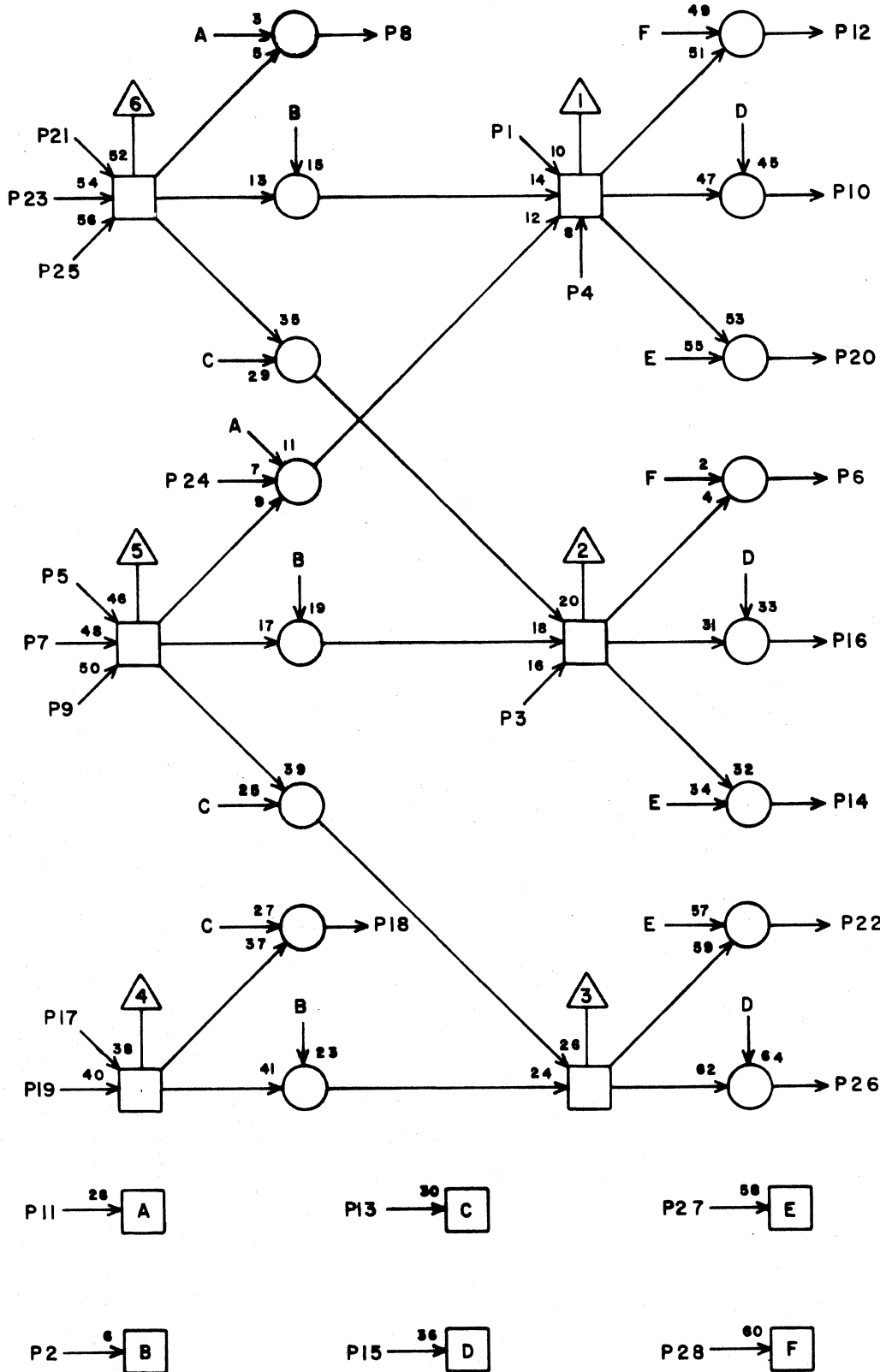
1			
2			
3			
4			
5			
6			
7			
8			
9			
10			
11			
12			
13			
14			
15			
16			
17			
18			
19			
20			
21			
22			
23			
24			
25			
26			
27			
28			

JACK PIN LG  
CIRCUIT SPECIFICATION 1182760X



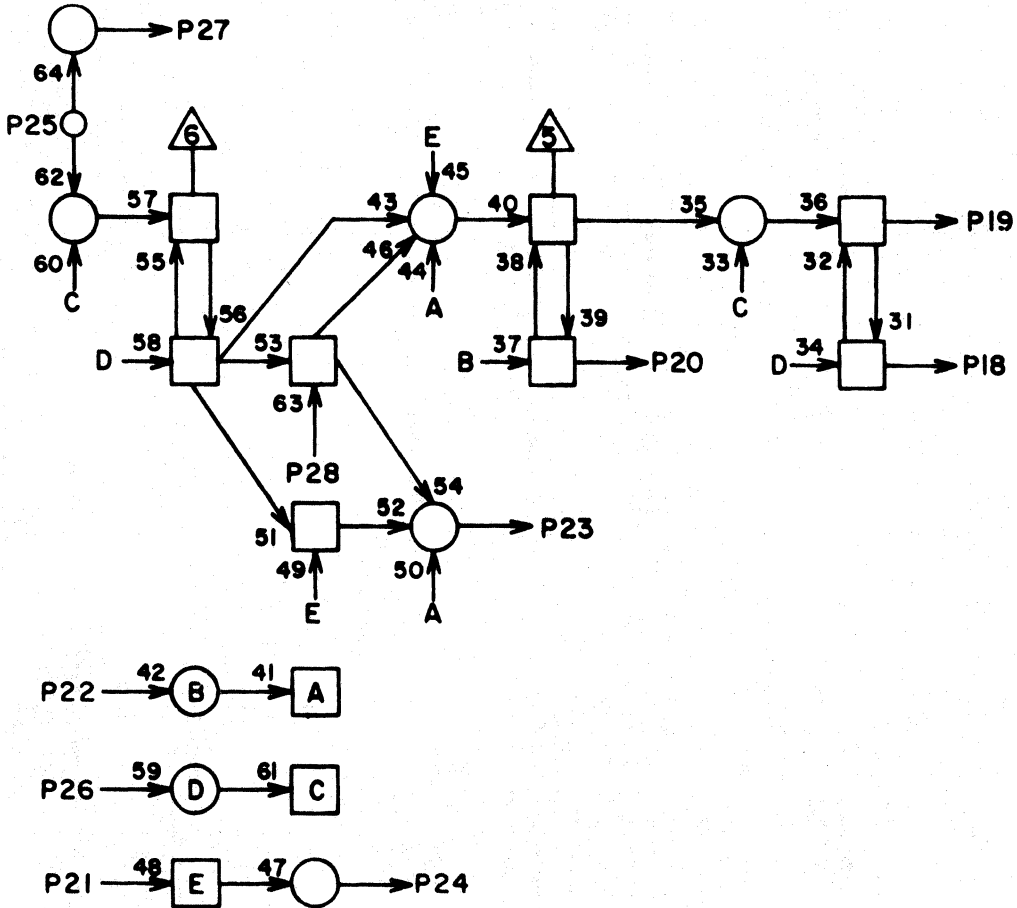
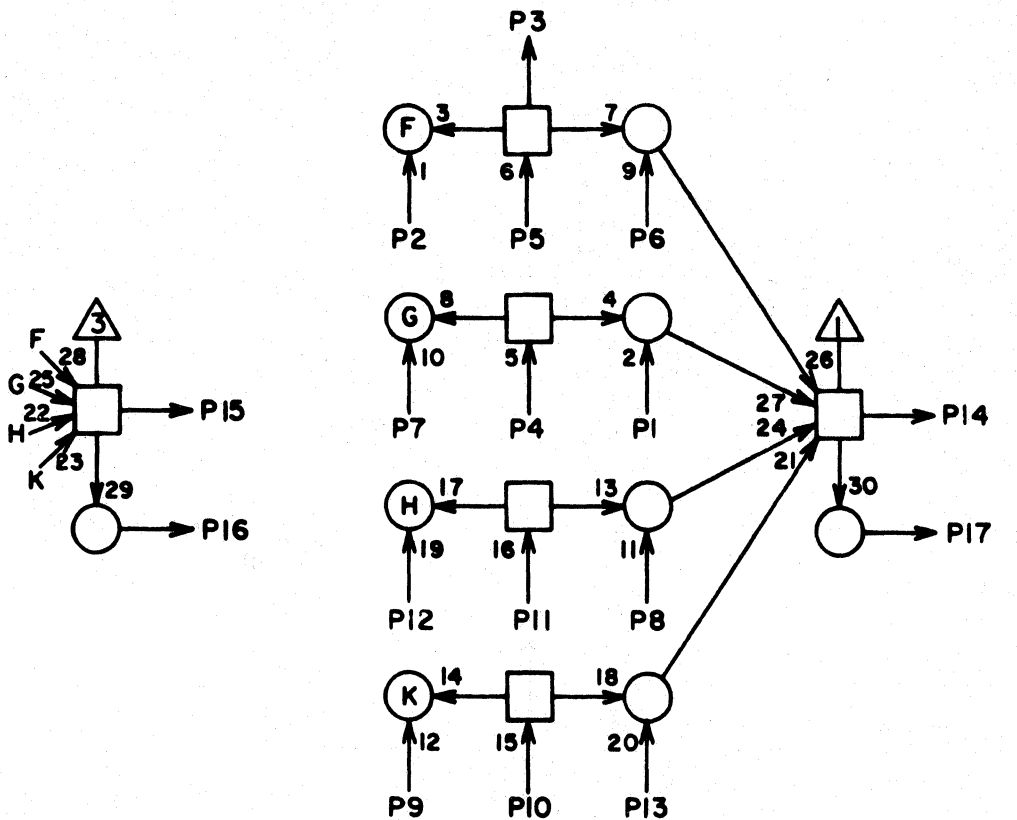
1			
2			
3			
4			
5			
6			
7			
8			
9			
10			
11			
12			
13			
14			
15			
16			
17			
18			
19			
20			
21			
22			
23			
24			
25			
26			
27			
28			

JACK PIN LG



1			
2			
3			
4			
5			
6			
7			
8			
9			
10			
11			
12			
13			
14			
15			
16			
17			
18			
19			
20			
21			
22			
23			
24			
25			
26			
27			
28			

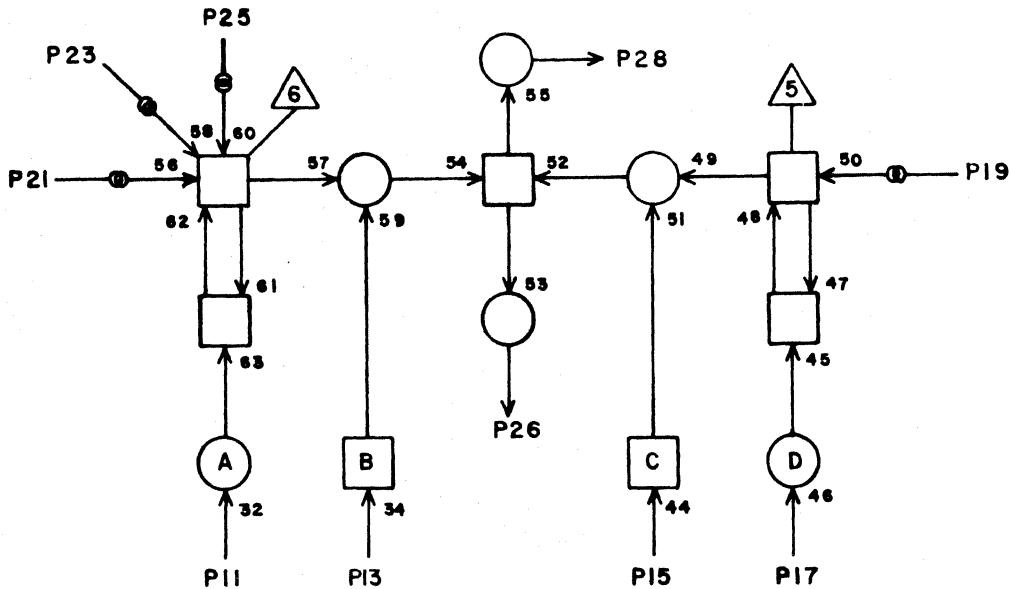
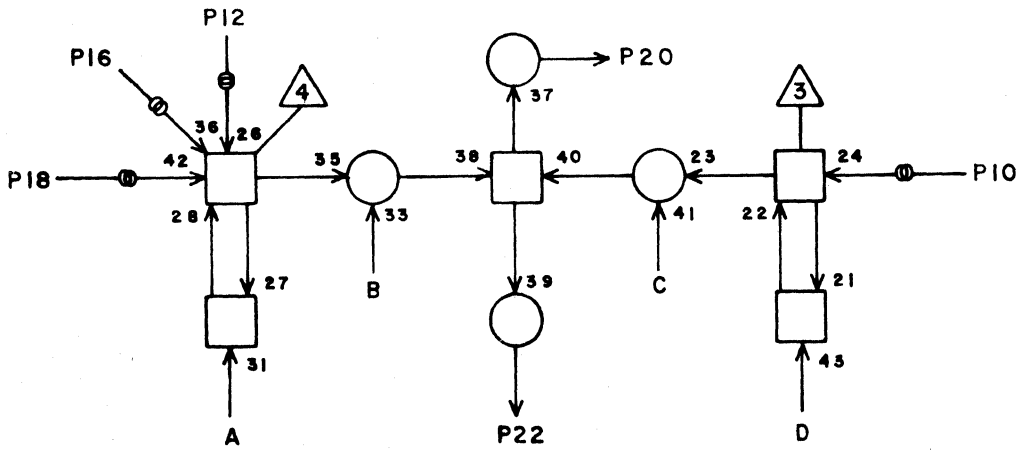
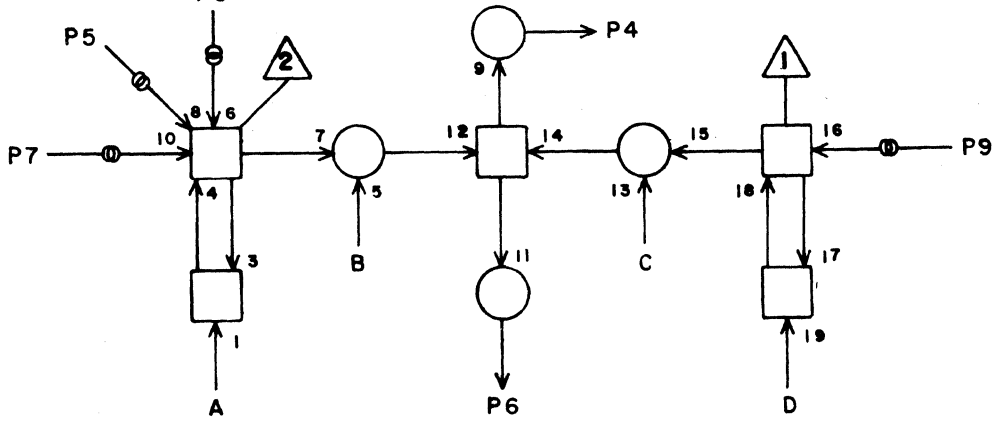
JACK PIN LG



1			
2			
3			
4			
5			
6			
7			
8			
9			
10			
11			
12			
13			
14			
15			
16			
17			
18			
19			
20			
21			
22			
23			
24			
25			
26			
27			
28			

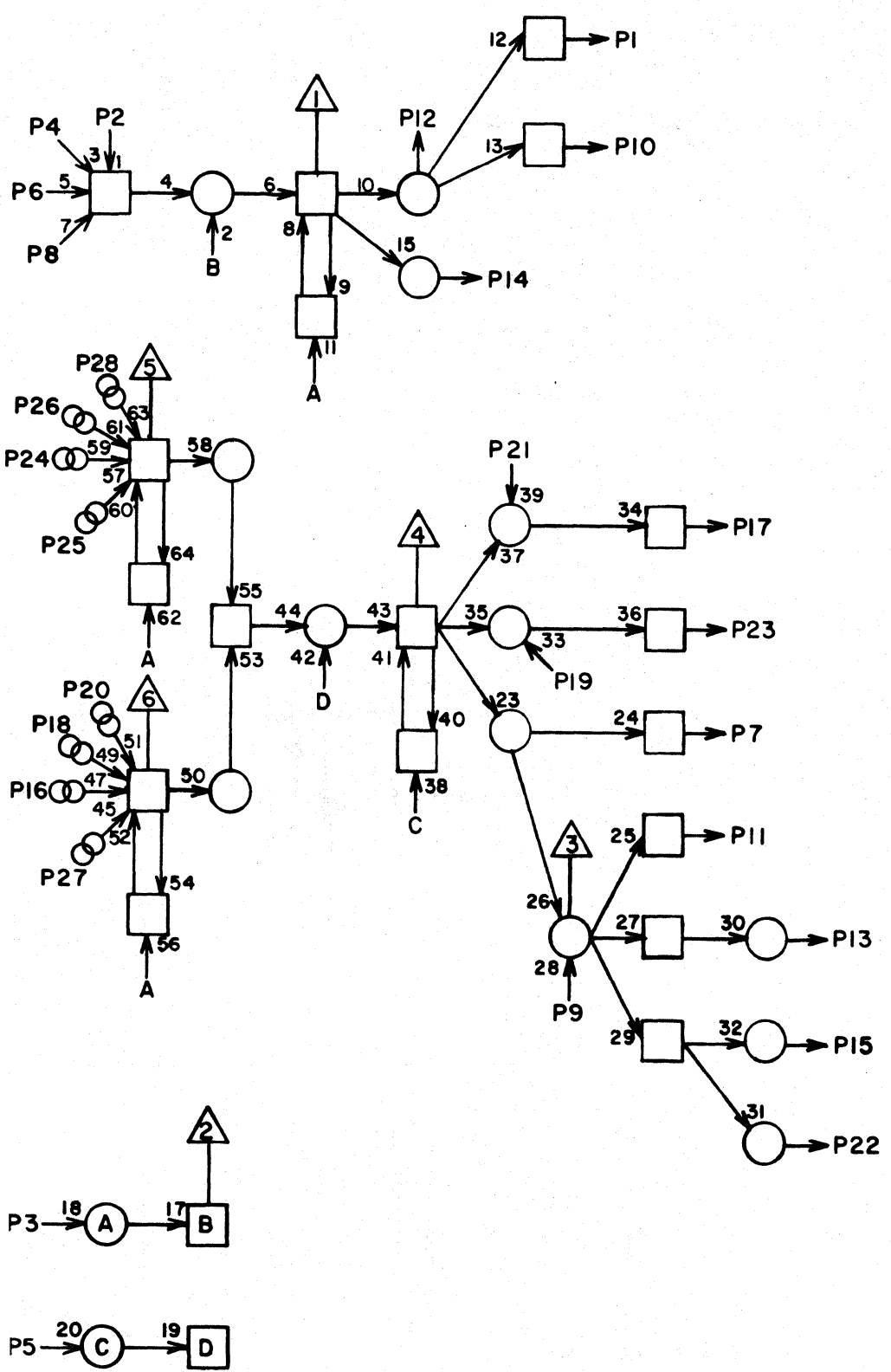
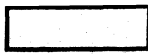
JACK PIN LG

SEE CIRCUIT SPECIFICATION 11827600



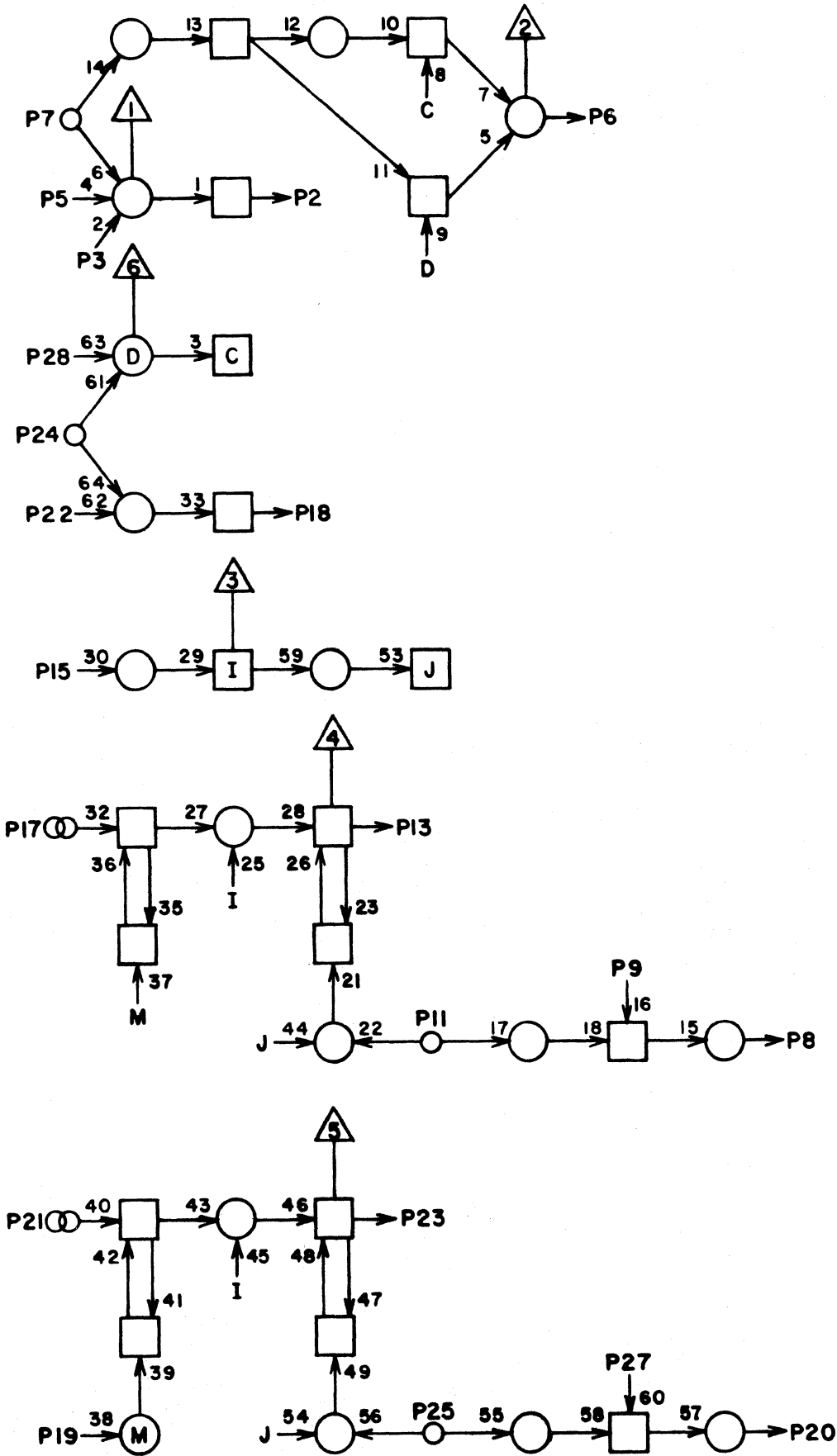
1			
2			
3			
4			
5			
6			
7			
8			
9			
10			
11			
12			
13			
14			
15			
16			
17			
18			
19			
20			
21			
22			
23			
24			
25			
26			
27			
28			

JACK PIN LG



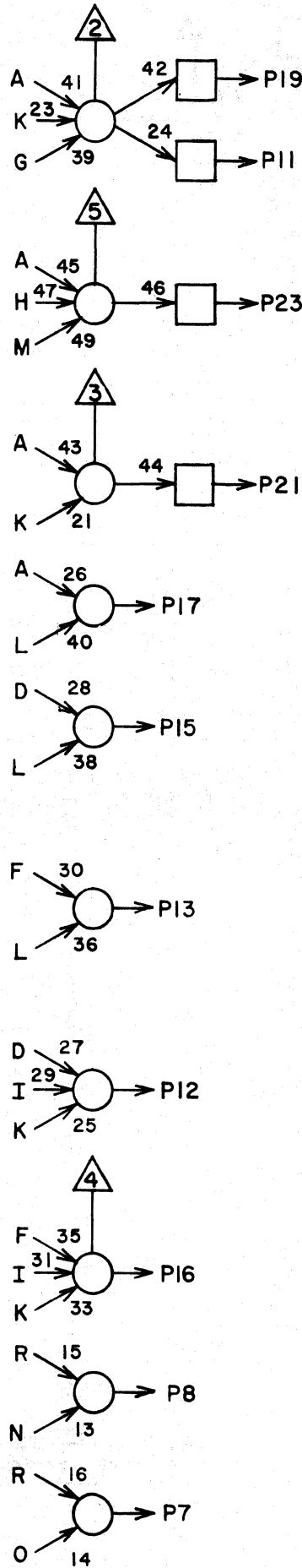
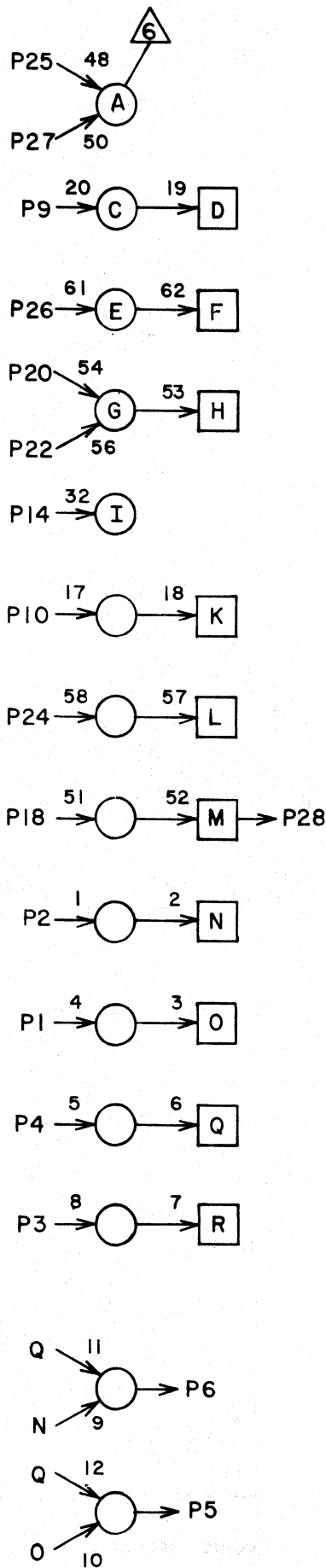
1			
2			
3			
4			
5			
6			
7			
8			
9			
10			
11			
12			
13			
14			
15			
16			
17			
18			
19			
20			
21			
22			
23			
24			
25			
26			
27			
28			

JACK PIN LG



1			
2			
3			
4			
5			
6			
7			
8			
9			
10			
11			
12			
13			
14			
15			
16			
17			
18			
19			
20			
21			
22			
23			
24			
25			
26			
27			
28			

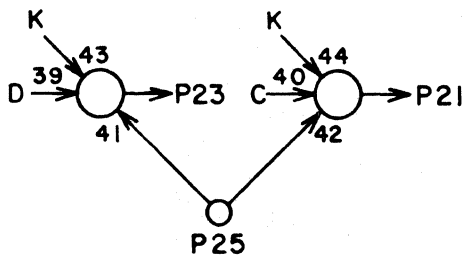
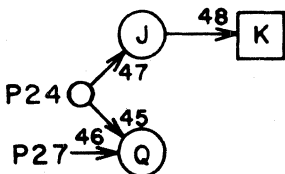
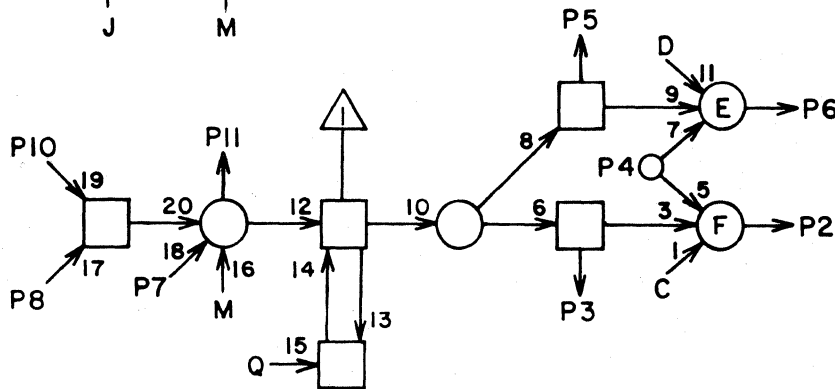
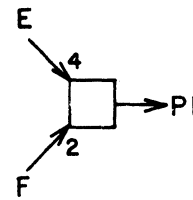
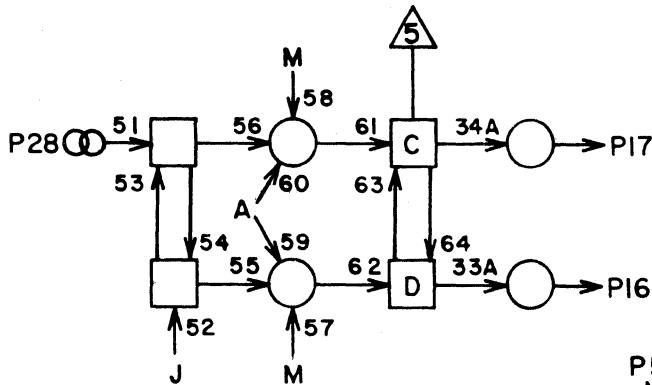
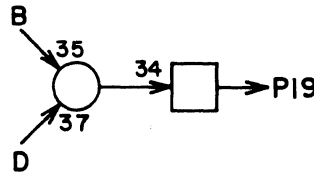
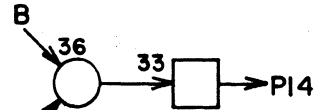
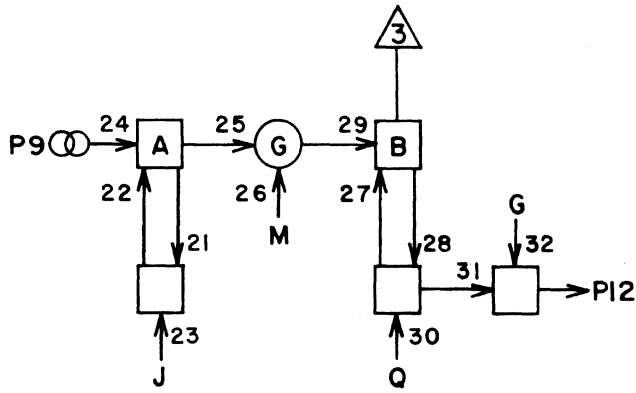
JACK PIN LG  
CIRCUIT SPECIFICATION 1182760



1			
2			
3			
4			
5			
6			
7			
8			
9			
10			
11			
12			
13			
14			
15			
16			
17			
18			
19			
20			
21			
22			
23			
24			
25			
26			
27			
28			

JACK PIN LG

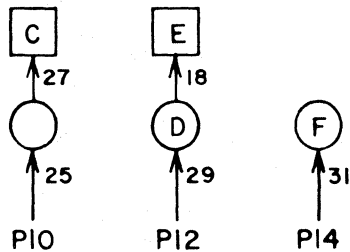
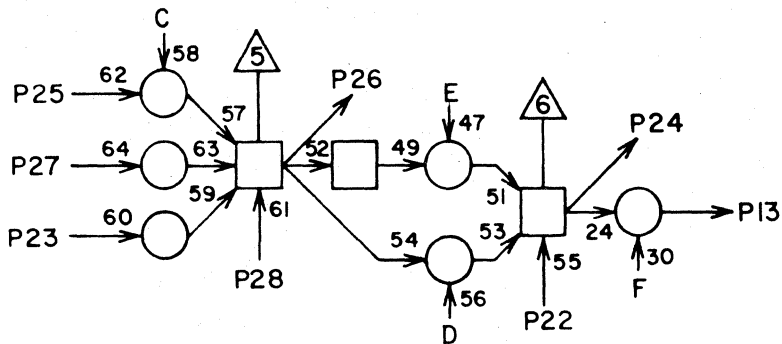
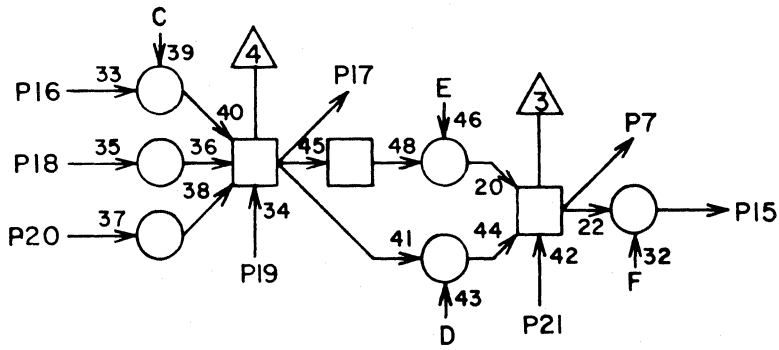
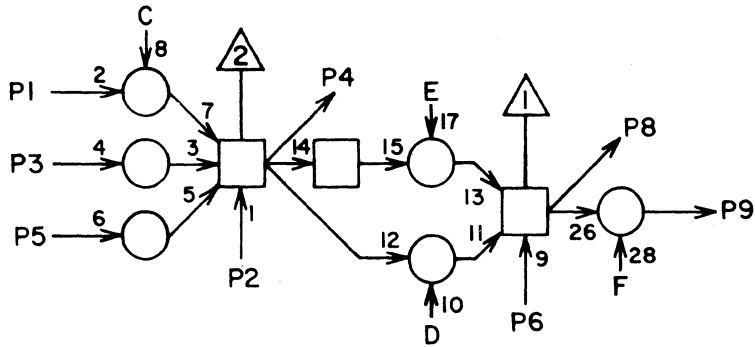




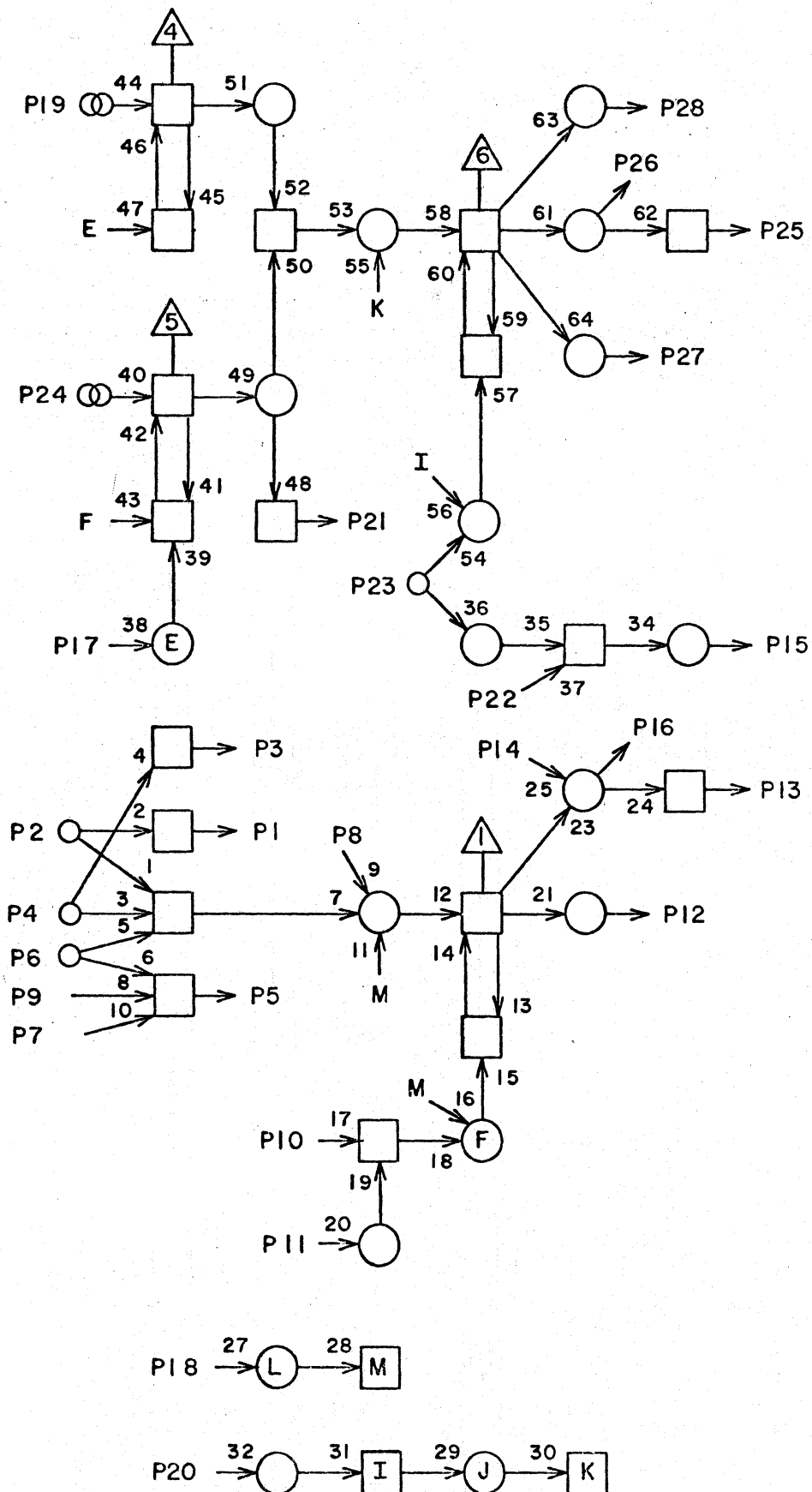
1			
2			
3			
4			
5			
6			
7			
8			
9			
10			
11			
12			
13			
14			
15			
16			
17			
18			
19			
20			
21			
22			
23			
24			
25			
26			
27			
28			

JACK PIN LG



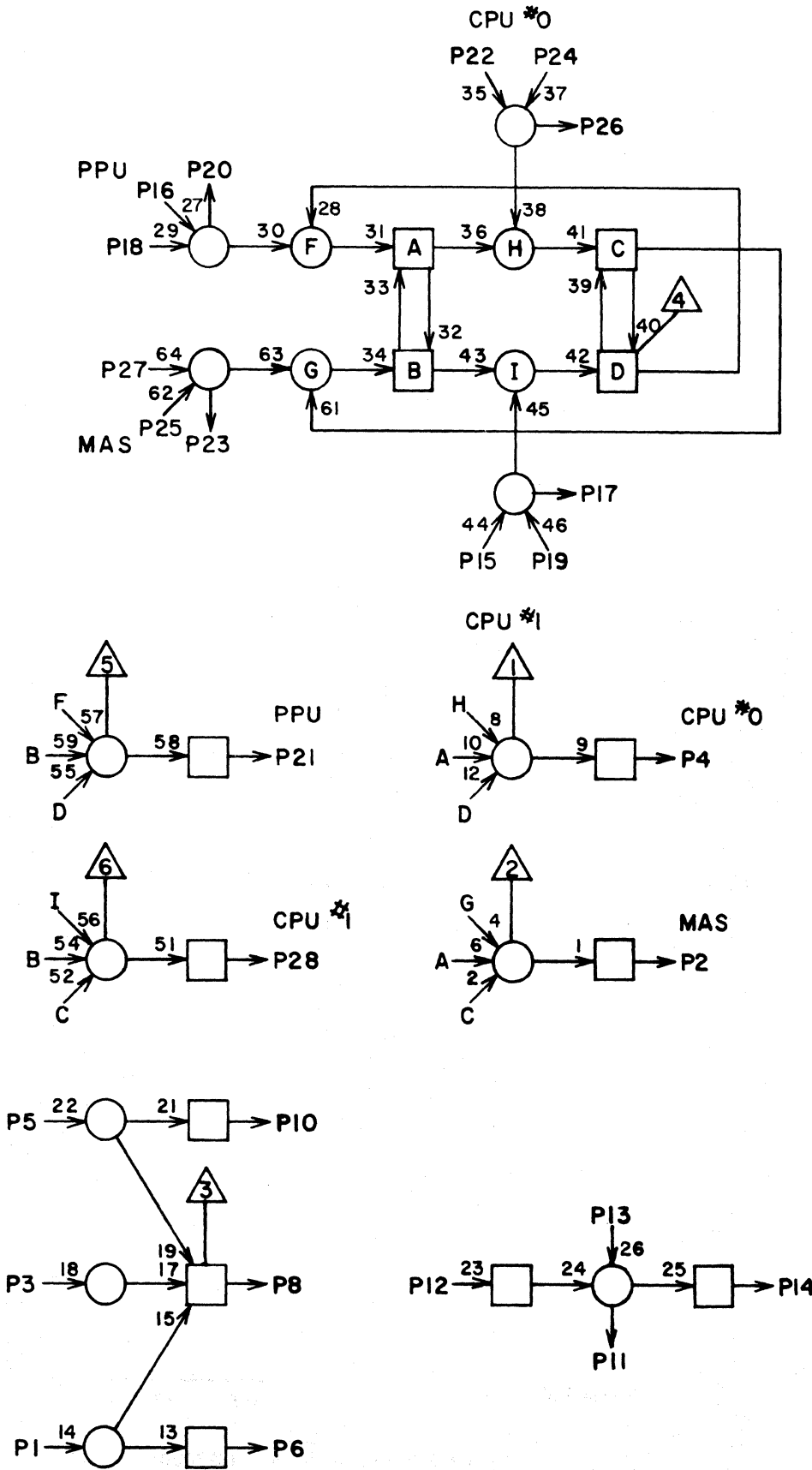


1			
2			
3			
4			
5			
6			
7			
8			
9			
10			
11			
12			
13			
14			
15			
16			
17			
18			
19			
20			
21			
22			
23			
24			
25			
26			
27			
28			



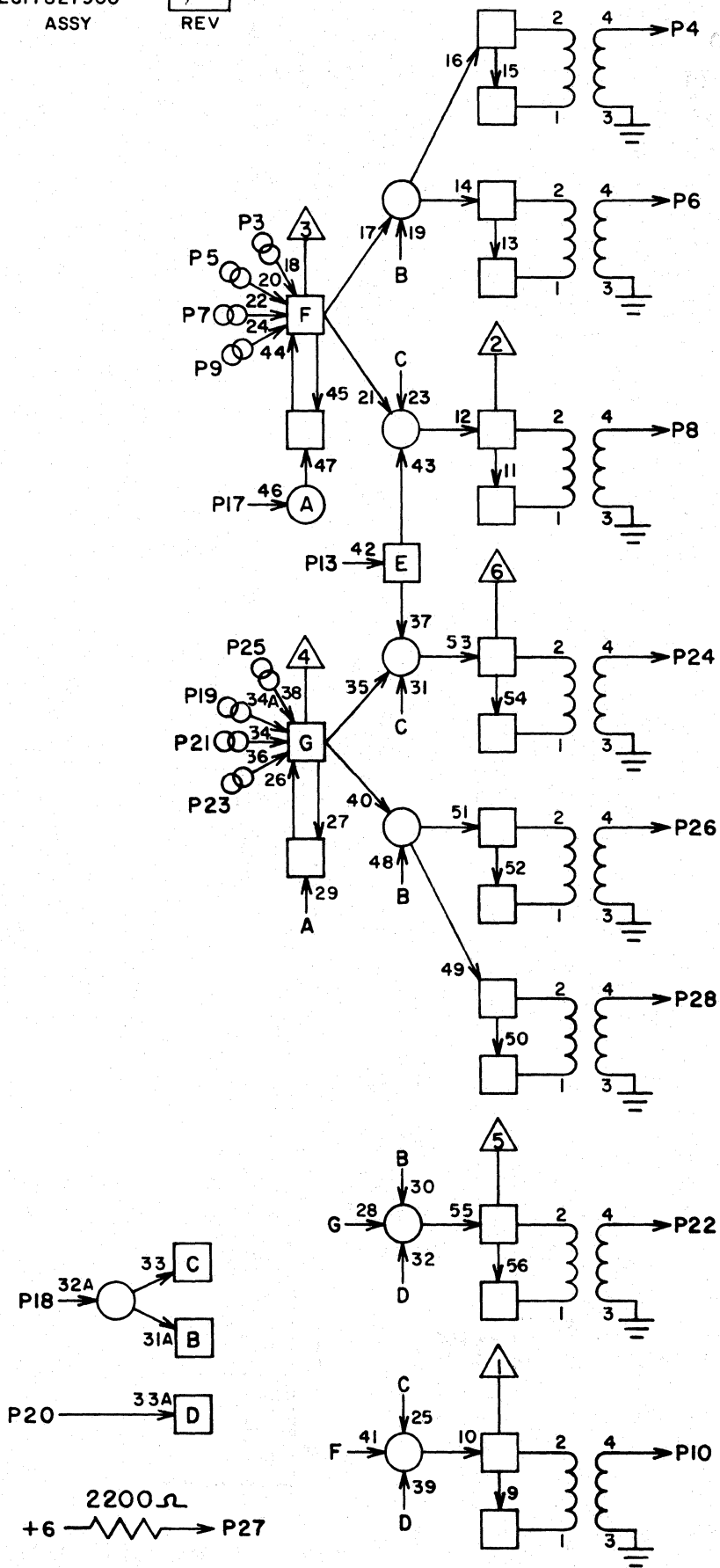
1			
2			
3			
4			
5			
6			
7			
8			
9			
10			
11			
12			
13			
14			
15			
16			
17			
18			
19			
20			
21			
22			
23			
24			
25			
26			
27			
28			

JACK PIN LG  
SEE CIRCUIT SPECIFICATION  
11827600  
60042700 Rev. T



1			
2			
3			
4			
5			
6			
7			
8			
9			
10			
11			
12			
13			
14			
15			
16			
17			
18			
19			
20			
21			
22			
23			
24			
25			
26			
27			
28			

JACK PIN LG



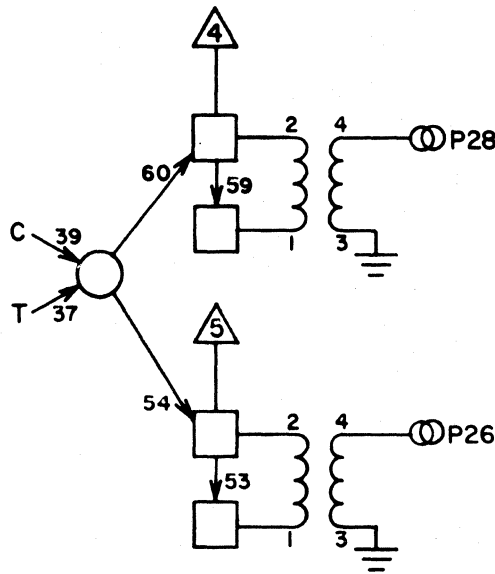
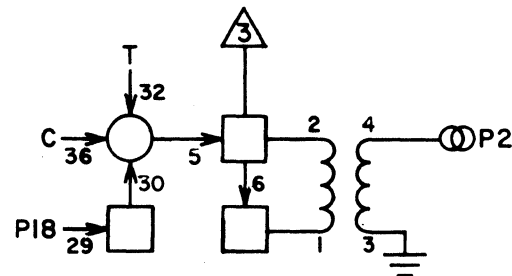
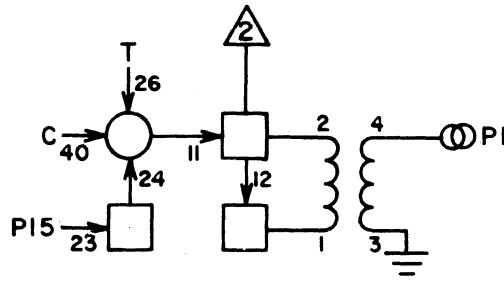
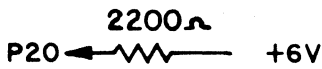
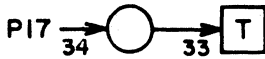
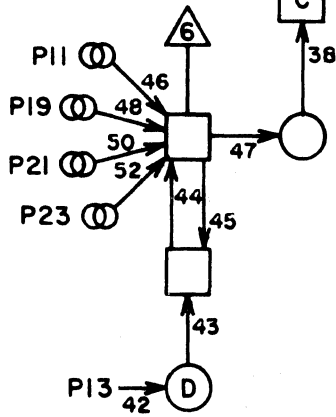
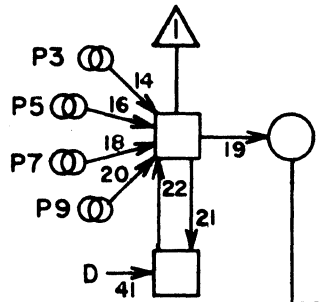
1			
2			
3			
4			
5			
6			
7			
8			
9			
10			
11			
12			
13			
14			
15			
16			
17			
18			
19			
20			
21			
22			
23			
24			
25			
26			
27			
28			

JACK PIN LG

LS 17828100  
ASSY

**E**  
REV

VS

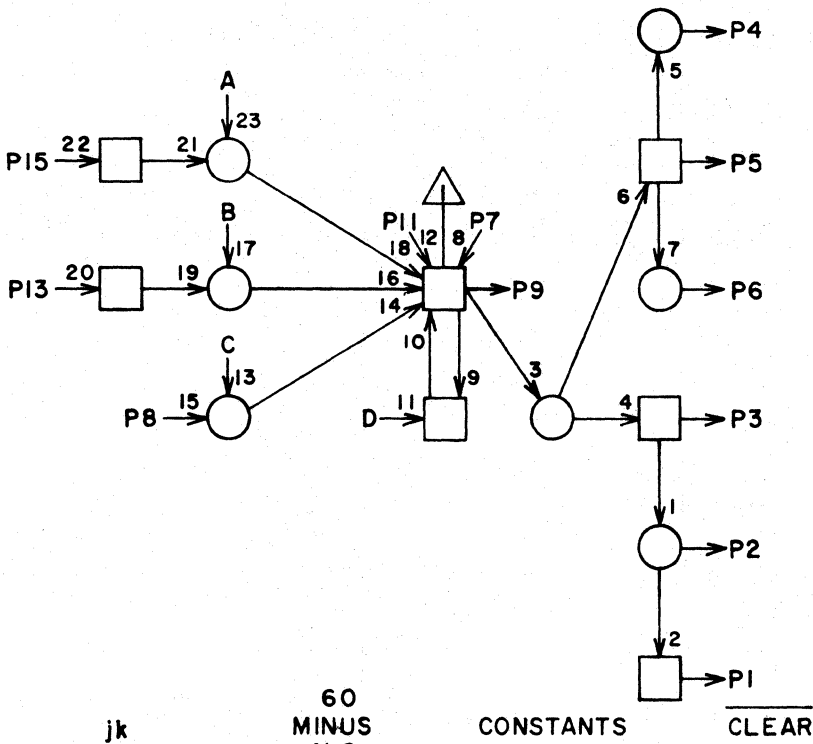
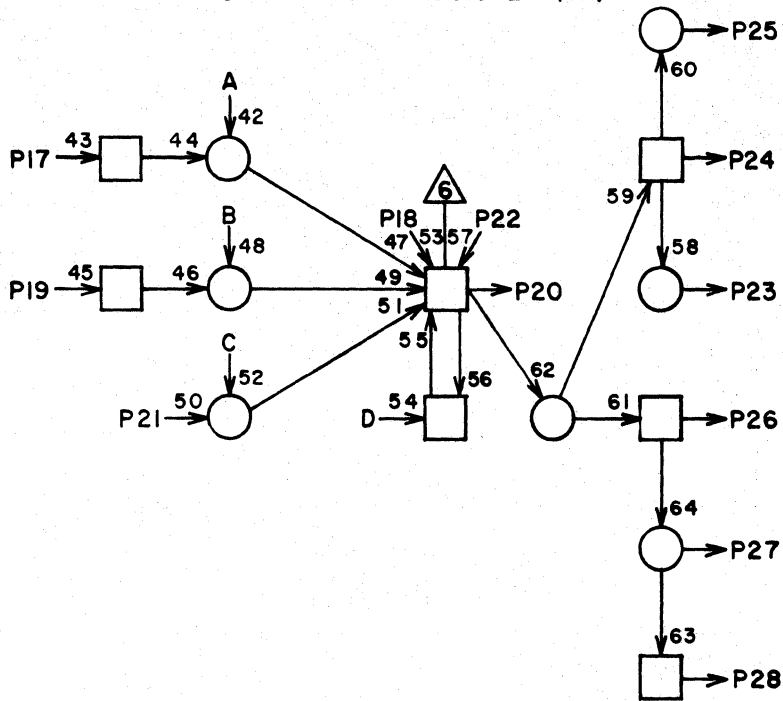


1			
2			
3			
4			
5			
6			
7			
8			
9			
10			
11			
12			
13			
14			
15			
16			
17			
18			
19			
20			
21			
22			
23			
24			
25			
26			
27			
28			

JACK PIN LG

CIRCUIT SPECIFICATION 11827600

SHIFT COUNT REGISTER (SK)

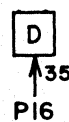
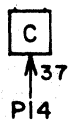
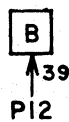
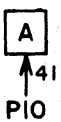


jk

60  
MINUS  
N.C.

CONSTANTS

CLEAR



1			
2			
3			
4			
5			
6			
7			
8			
9			
10			
11			
12			
13			
14			
15			
16			
17			
18			
19			
20			
21			
22			
23			
24			
25			
26			
27			
28			

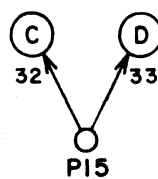
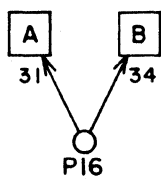
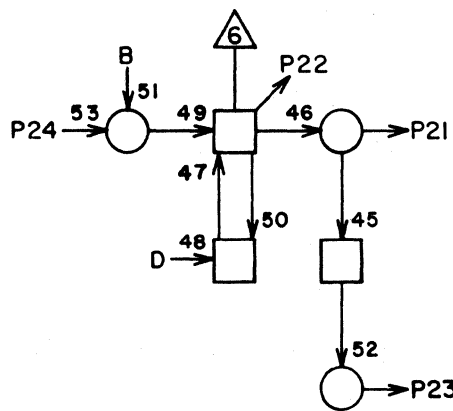
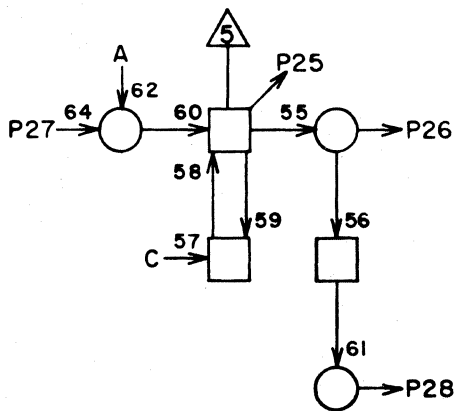
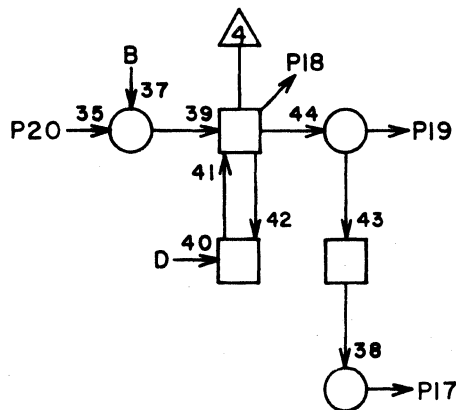
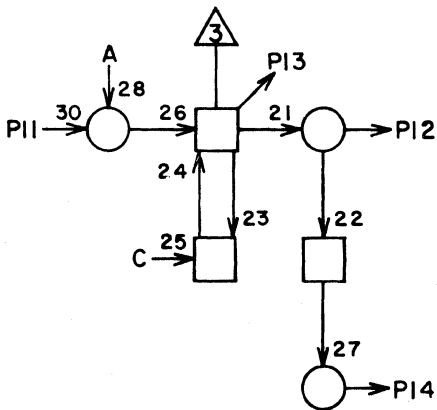
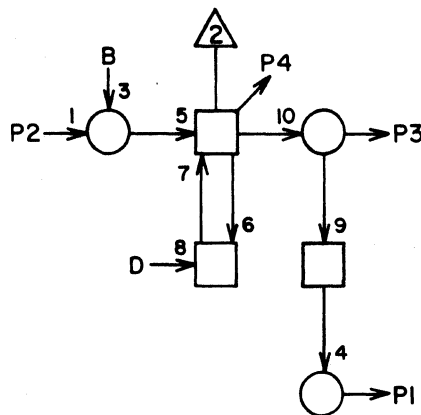
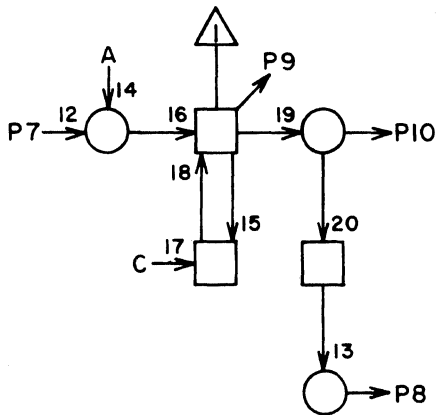
JACK PIN LG



17828500  
ASSY

**D**  
REV

VU

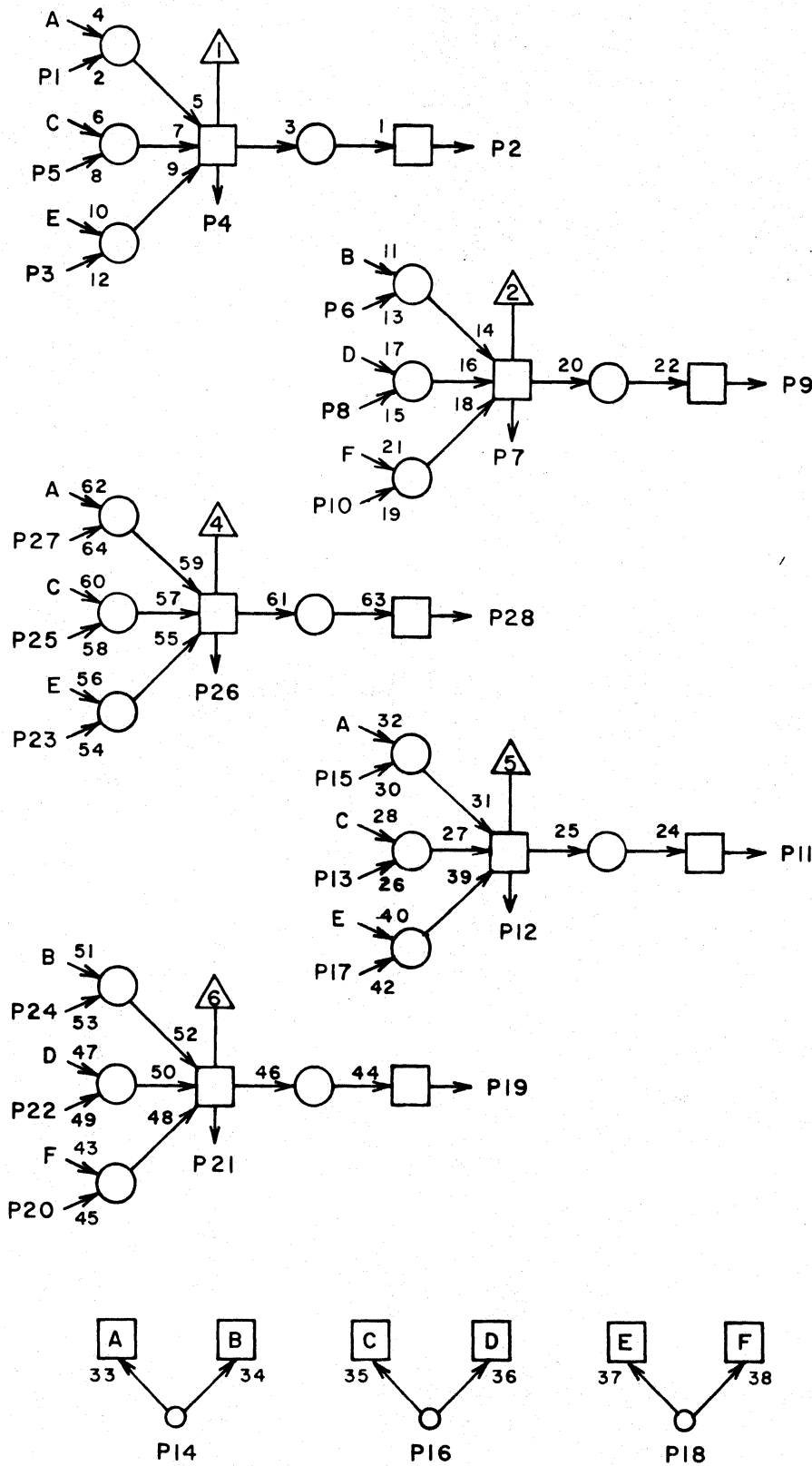
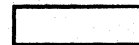


1			
2			
3			
4			
5			
6			
7			
8			
9			
10			
11			
12			
13			
14			
15			
16			
17			
18			
19			
20			
21			
22			
23			
24			
25			
26			
27			
28			

JACK PIN LG

CIRCUIT SPECIFICATION  
11827600

60042700 Rev. K



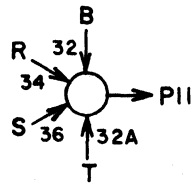
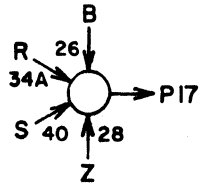
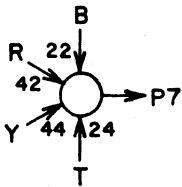
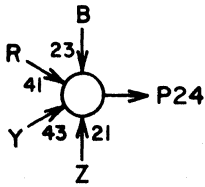
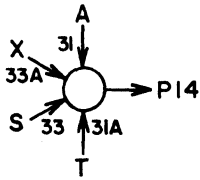
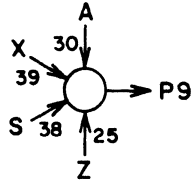
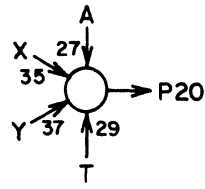
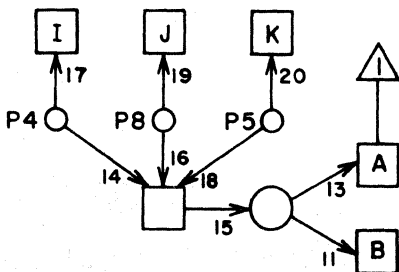
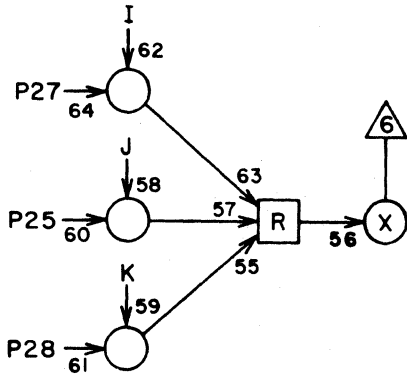
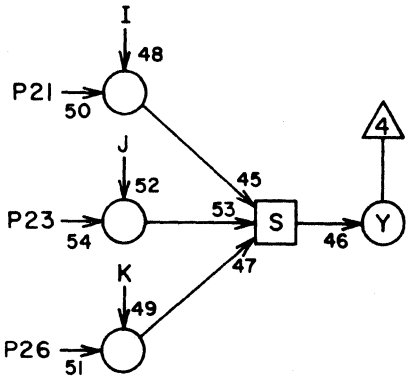
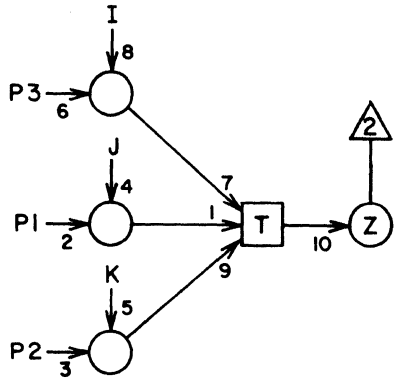
1			
2			
3			
4			
5			
6			
7			
8			
9			
10			
11			
12			
13			
14			
15			
16			
17			
18			
19			
20			
21			
22			
23			
24			
25			
26			
27			
28			

JACK PIN LG

LSI7828900  
ASSY

**B**  
REV

VW



1			
2			
3			
4			
5			
6			
7			
8			
9			
10			
11			
12			
13			
14			
15			
16			
17			
18			
19			
20			
21			
22			
23			
24			
25			
26			
27			
28			

JACK PIN LG

CIRCUIT SPECIFICATION

11827600

60042700 Rev. K

EXPONENT CHECKER

FROM VB  
MODULES

FROM TH  
MODULES

4000

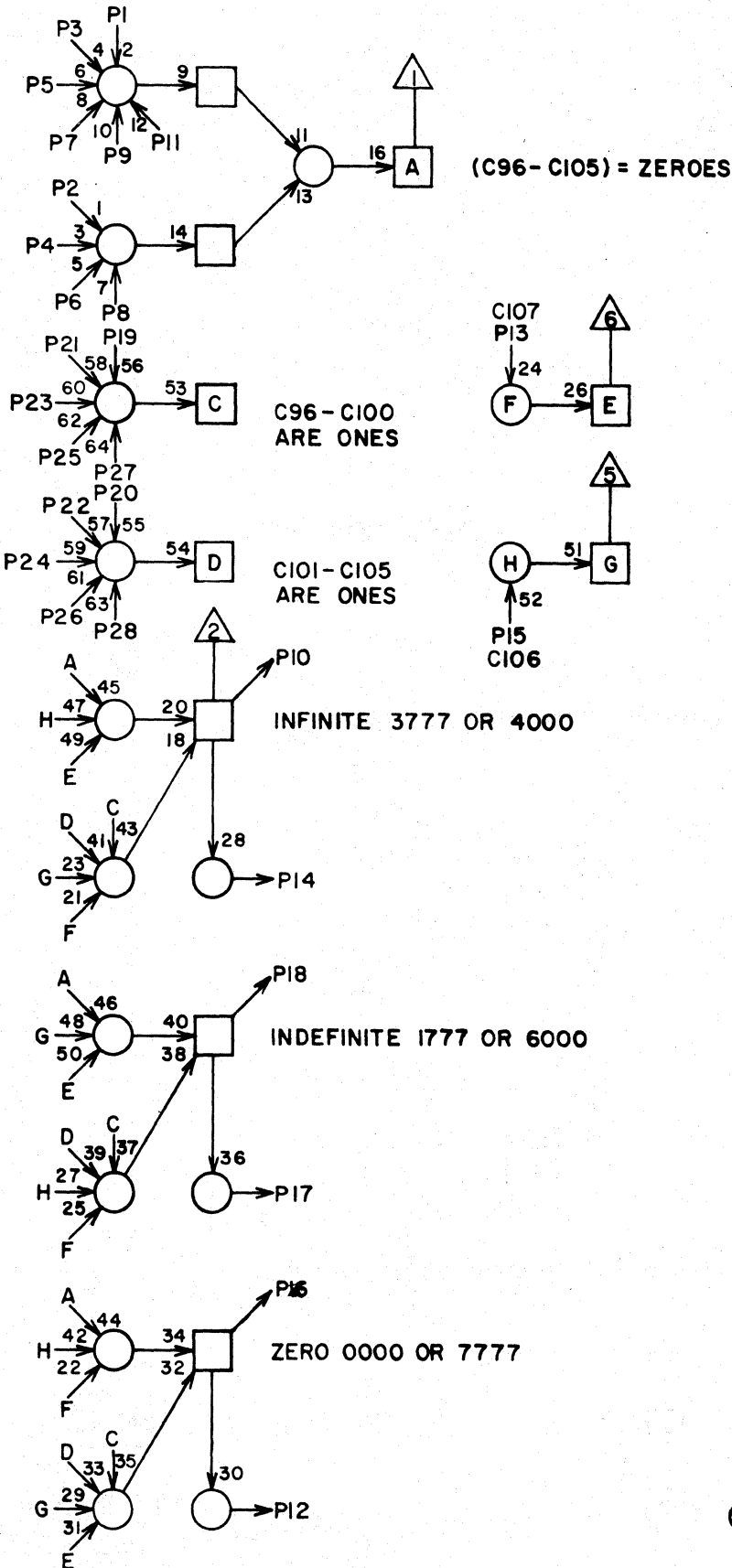
3777

6000

1777

0000

7777



1			
2			
3			
4			
5			
6			
7			
8			
9			
10			
11			
12			
13			
14			
15			
16			
17			
18			
19			
20			
21			
22			
23			
24			
25			
26			
27			
28			

JACK PIN LG

CIRCUIT SPECIFICATION

11827600

60042700 Rev. K

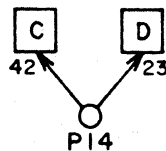
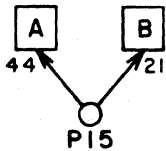
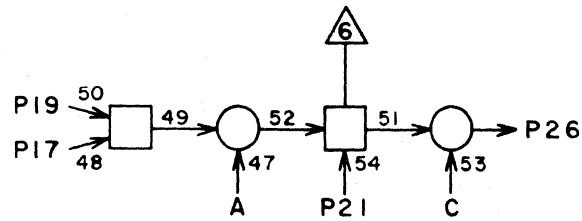
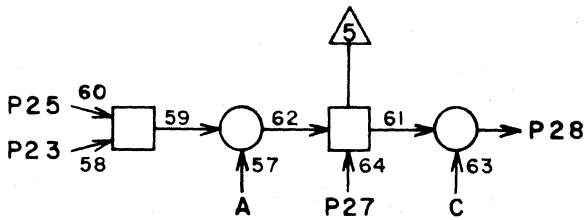
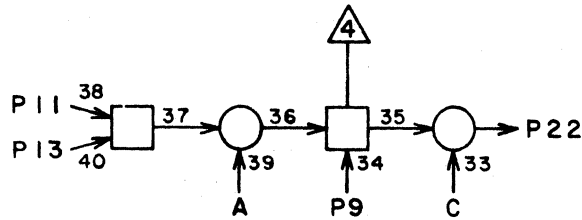
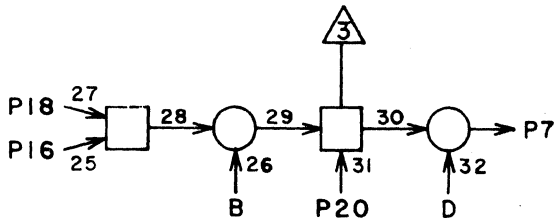
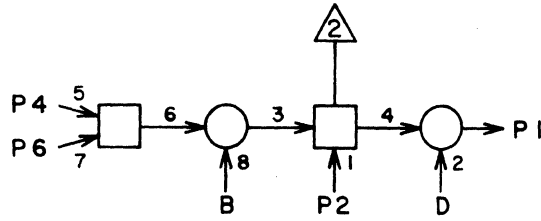
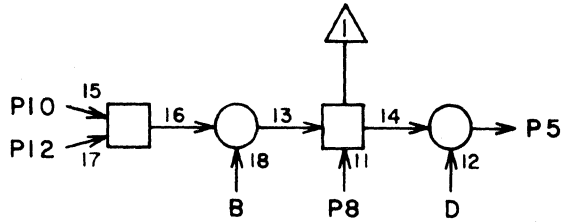
LS17829300

ASSY

B

REV

VY



1			
2			
3			
4			
5			
6			
7			
8			
9			
10			
11			
12			
13			
14			
15			
16			
17			
18			
19			
20			
21			
22			
23			
24			
25			
26			
27			
28			

JACK PIN LG

CIRCUIT SPECIFICATION

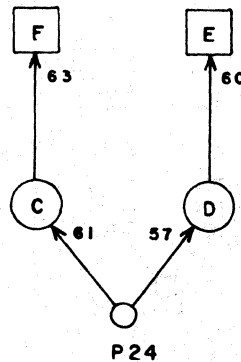
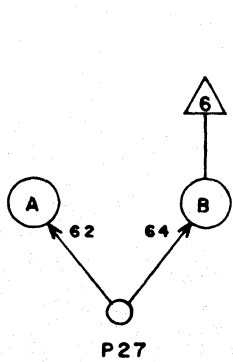
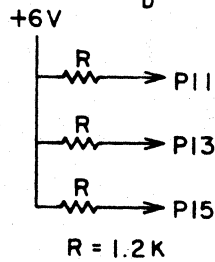
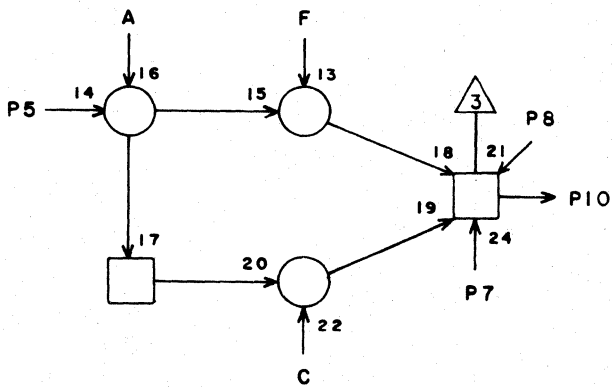
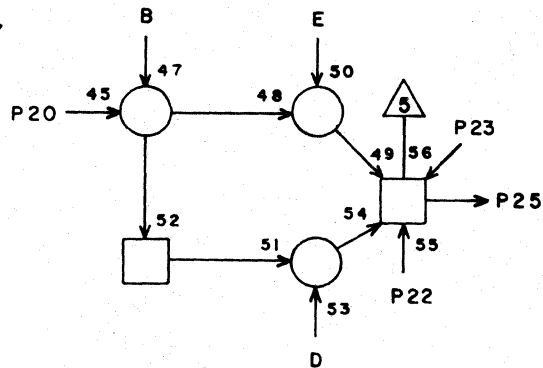
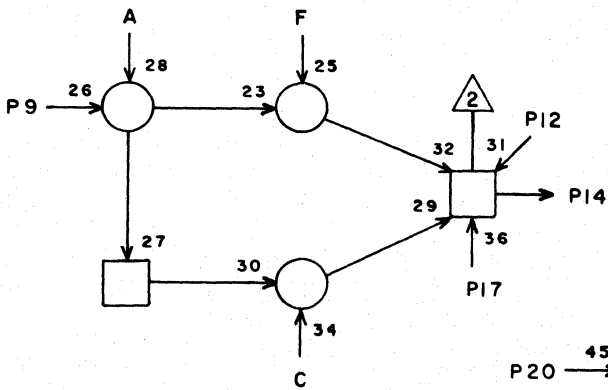
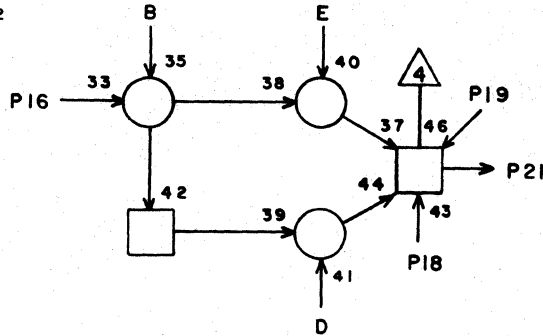
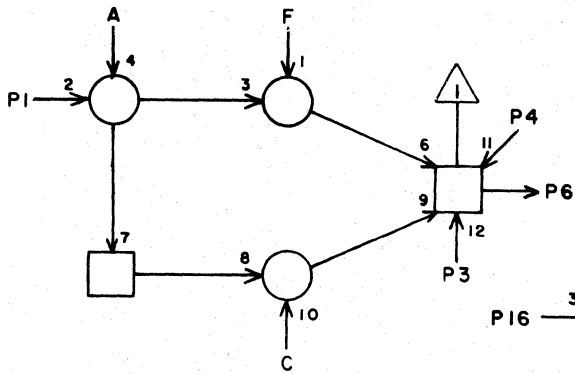
11827600

60042700 Rev. K

LSI 7829500  
ASSY

REV

VZ



1			
2			
3			
4			
5			
6			
7			
8			
9			
10			
11			
12			
13			
14			
15			
16			
17			
18			
19			
20			
21			
22			
23			
24			
25			
26			
27			
28			

JACK PIN LG

CIRCUIT SPECIFICATION

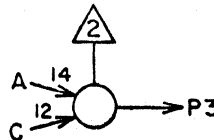
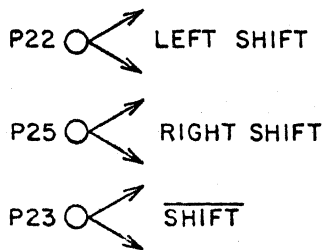
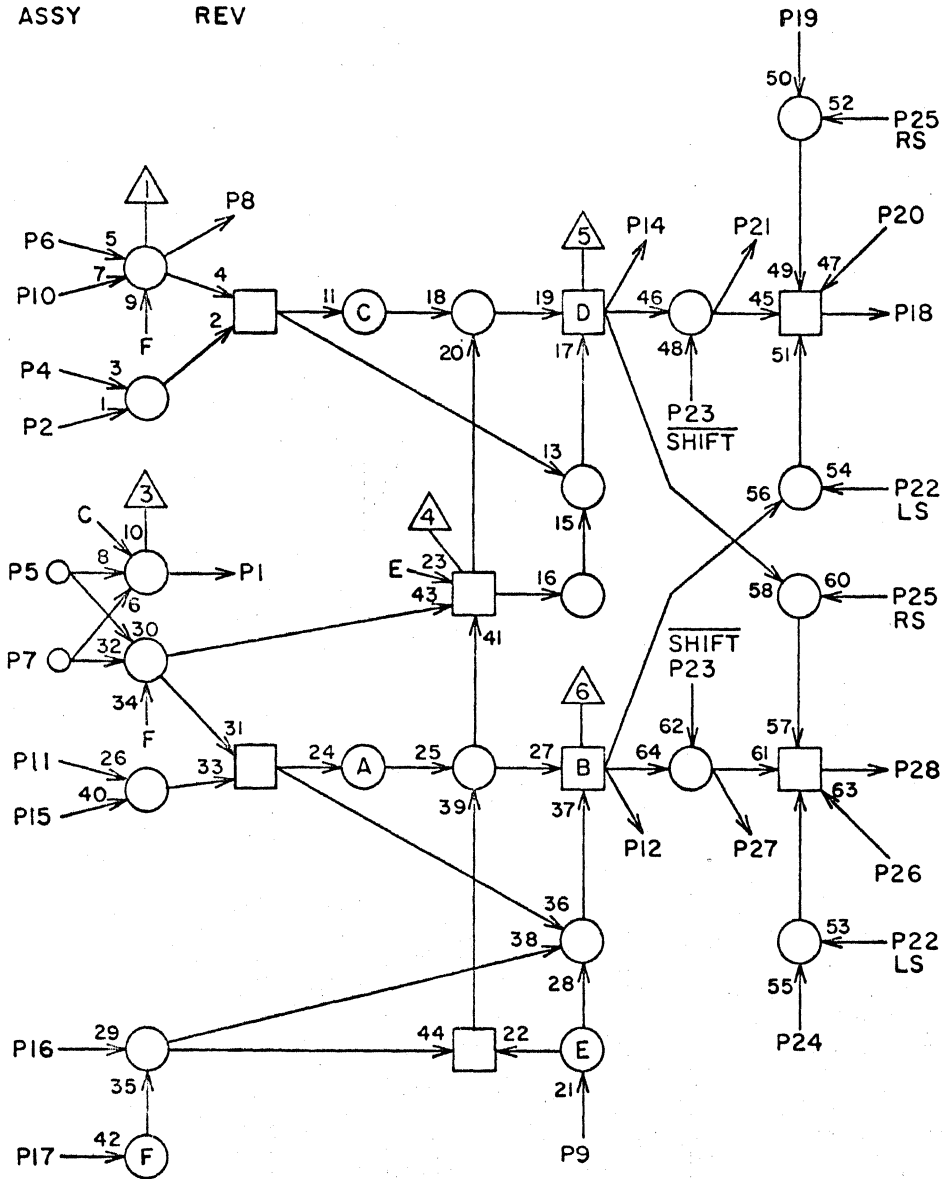
11827600

60042700 Rev P

LS 17945100  
ASSY

**D**  
REV

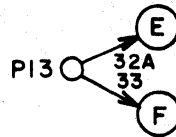
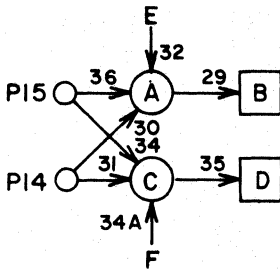
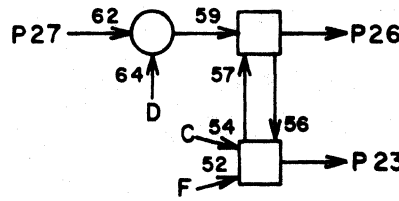
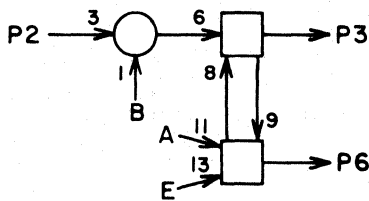
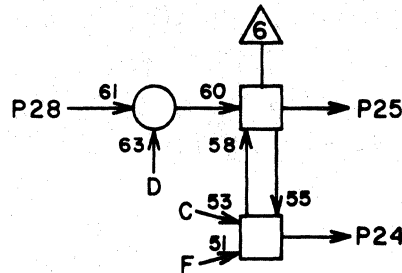
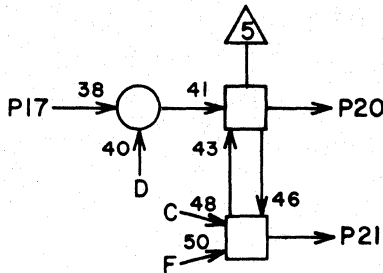
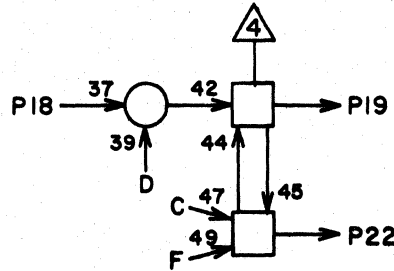
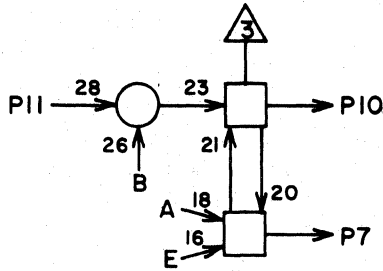
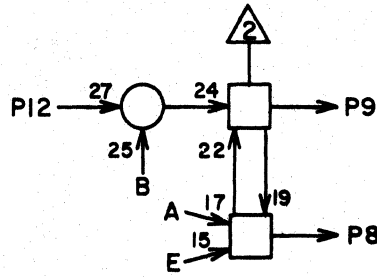
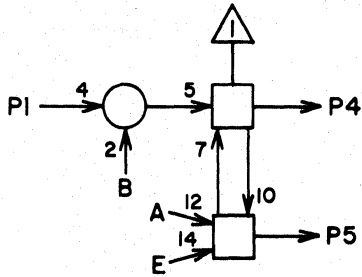
V00



1			
2			
3			
4			
5			
6			
7			
8			
9			
10			
11			
12			
13			
14			
15			
16			
17			
18			
19			
20			
21			
22			
23			
24			
25			
26			
27			
28			

JACK PIN LG

CIRCUIT SPECIFICATION 11827600  
60042700 Rev. P



1			
2			
3			
4			
5			
6			
7			
8			
9			
10			
11			
12			
13			
14			
15			
16			
17			
18			
19			
20			
21			
22			
23			
24			
25			
26			
27			
28			

JACK PIN LG

60042700 Rev. K



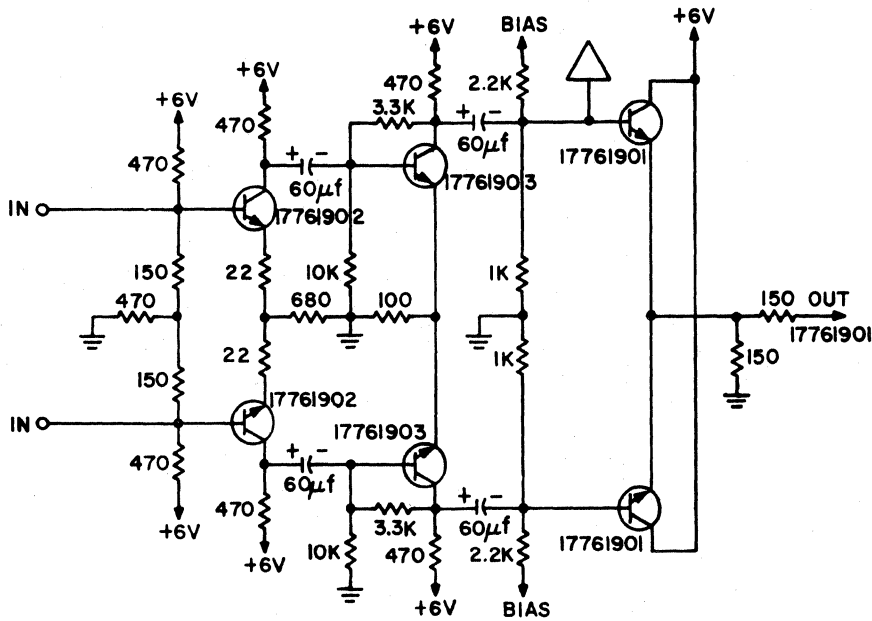
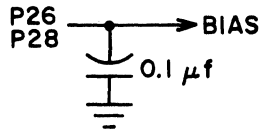
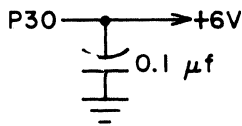
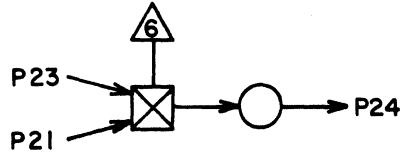
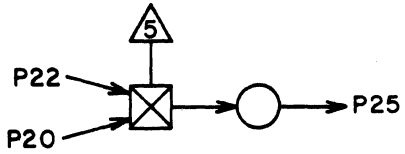
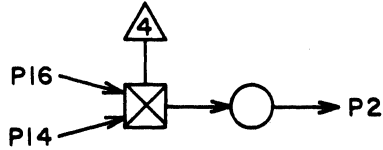
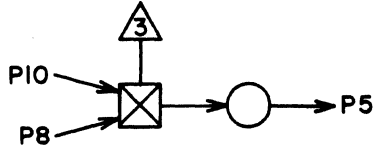
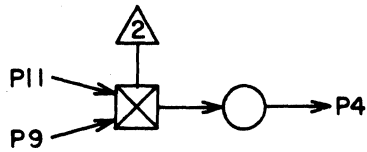
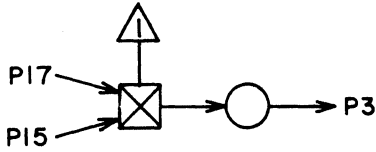
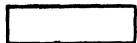
17945400



ASSY

REV

V02



1			
2			
3			
4			
5			
6			
7			
8			
9			
10			
11			
12			
13			
14			
15			
16			
17			
18			
19			
20			
21			
22			
23			
24			
25			
26			
27			
28			

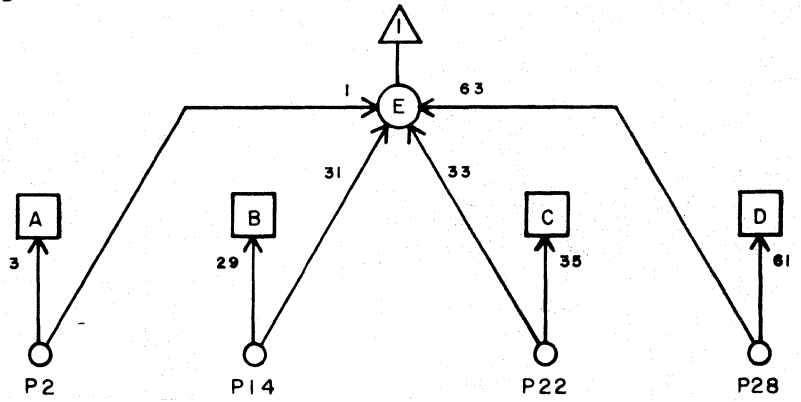
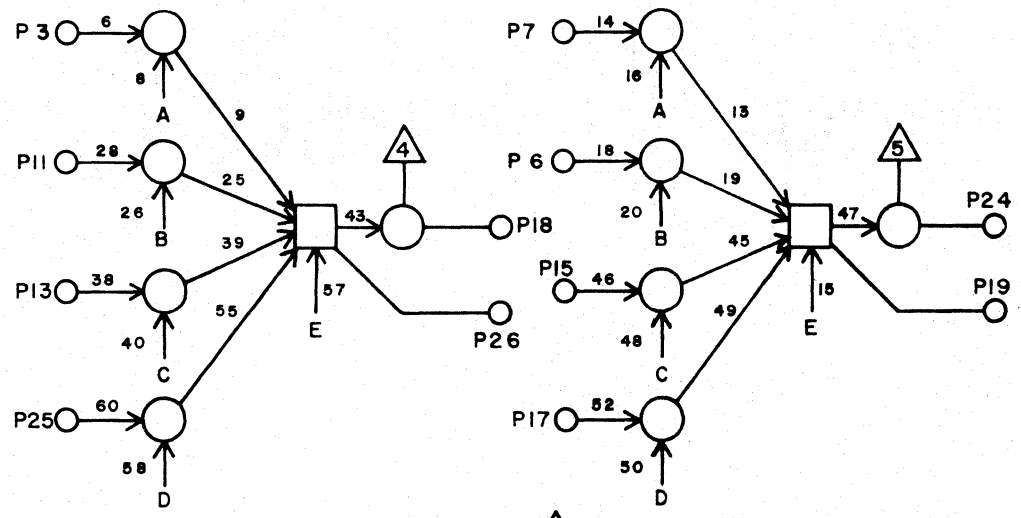
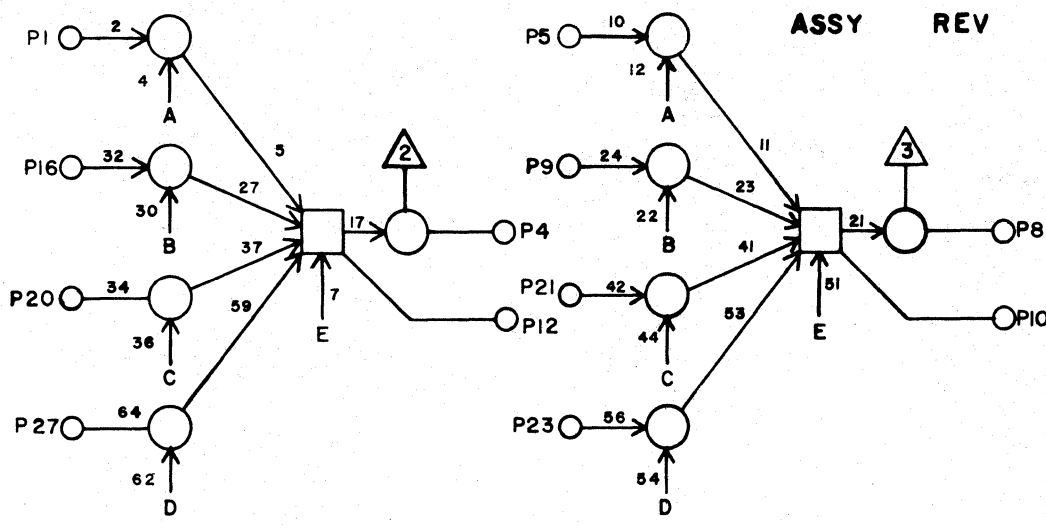
JACK PIN LG

CIRCUIT SPECIFICATION 11827600

60042700 Rev. P

LS 17916000 C  
 ASSY REV

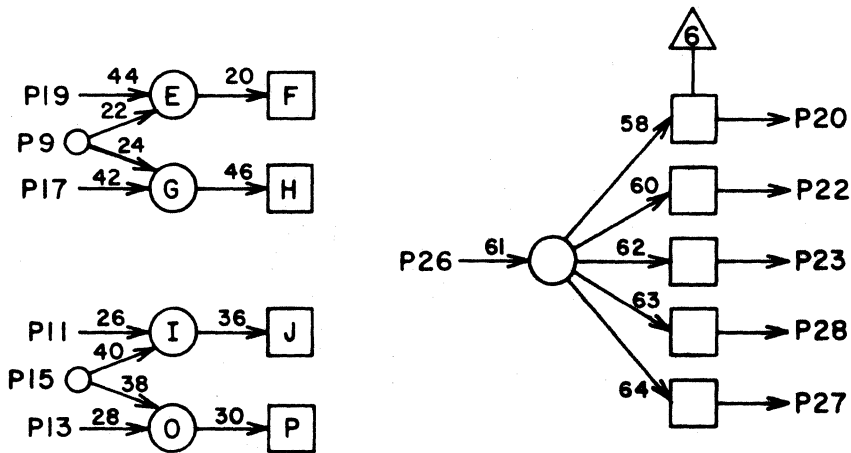
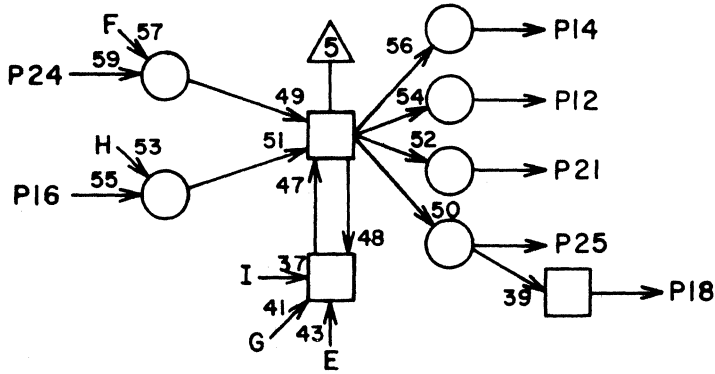
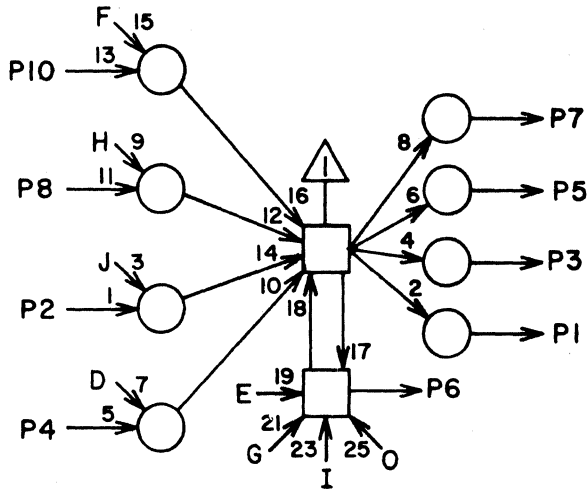
V03



1			
2			
3			
4			
5			
6			
7			
8			
9			
10			
11			
12			
13			
14			
15			
16			
17			
18			
19			
20			
21			
22			
23			
24			
25			
26			
27			
28			

JACK PIN LG  
 60042700 Rev. K

CIRCUIT SPECIFICATION 11827600

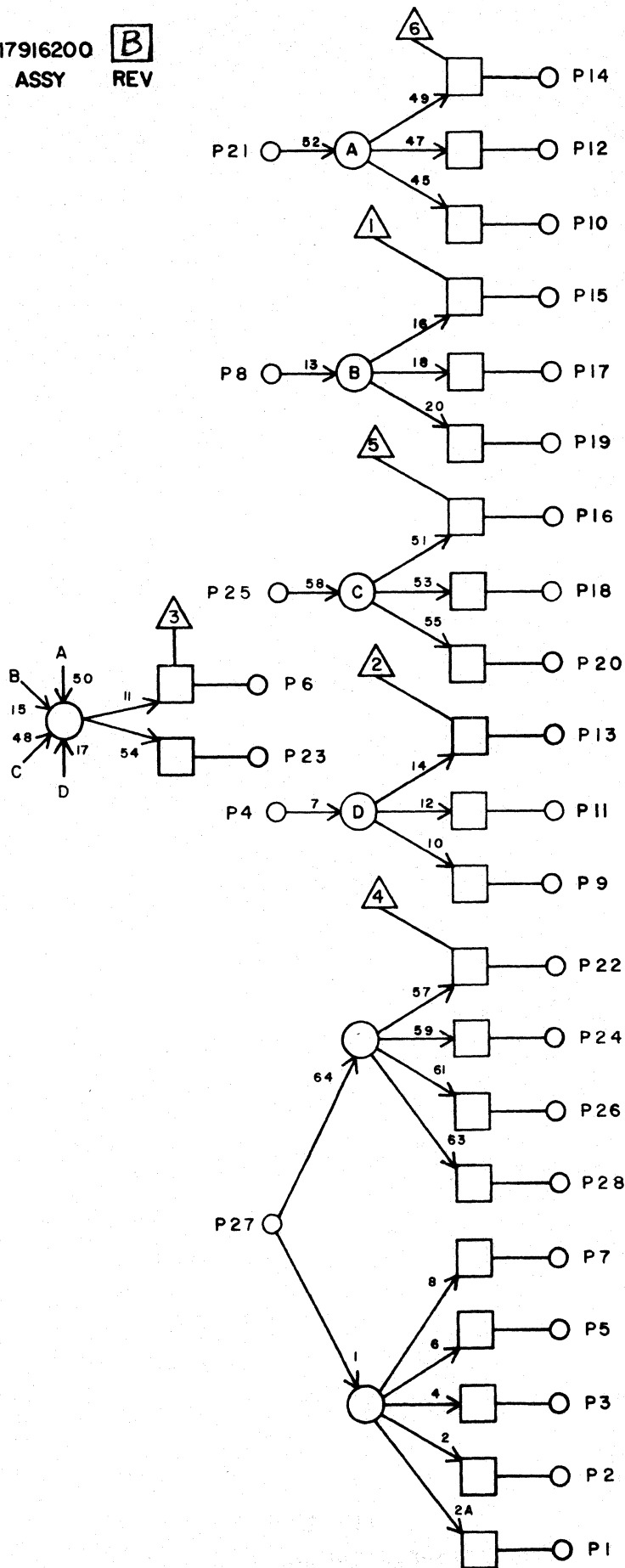


1			
2			
3			
4			
5			
6			
7			
8			
9			
10			
11			
12			
13			
14			
15			
16			
17			
18			
19			
20			
21			
22			
23			
24			
25			
26			
27			
28			

JACK PIN LG

LS 17916200  
ASSY

**B**  
REV

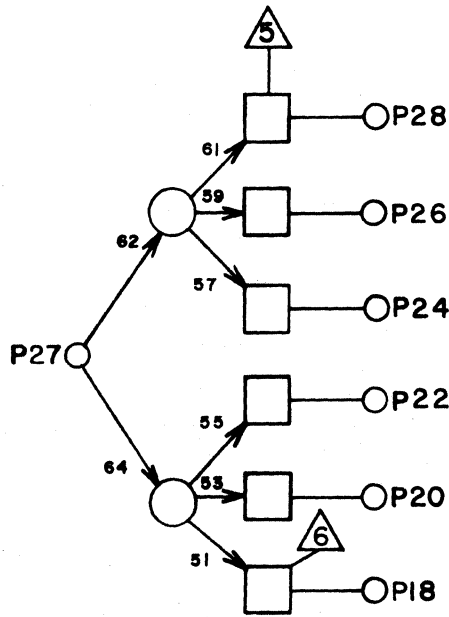
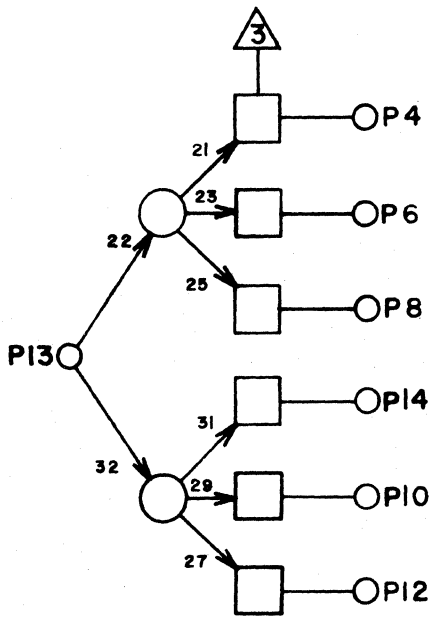
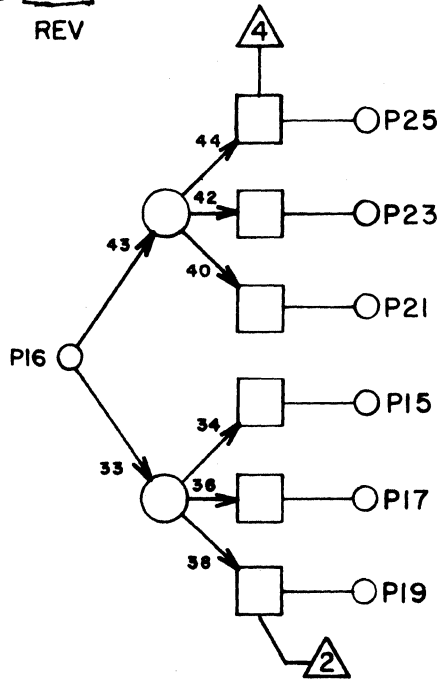
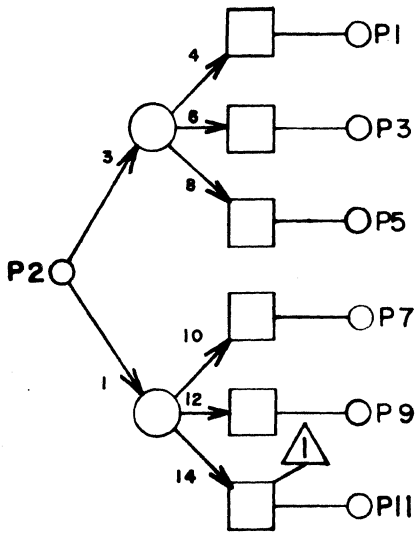


V05

1			
2			
3			
4			
5			
6			
7			
8			
9			
10			
11			
12			
13			
14			
15			
16			
17			
18			
19			
20			
21			
22			
23			
24			
25			
26			
27			
28			

CIRCUIT SPECIFICATION 11827600

60042700 Rev. K



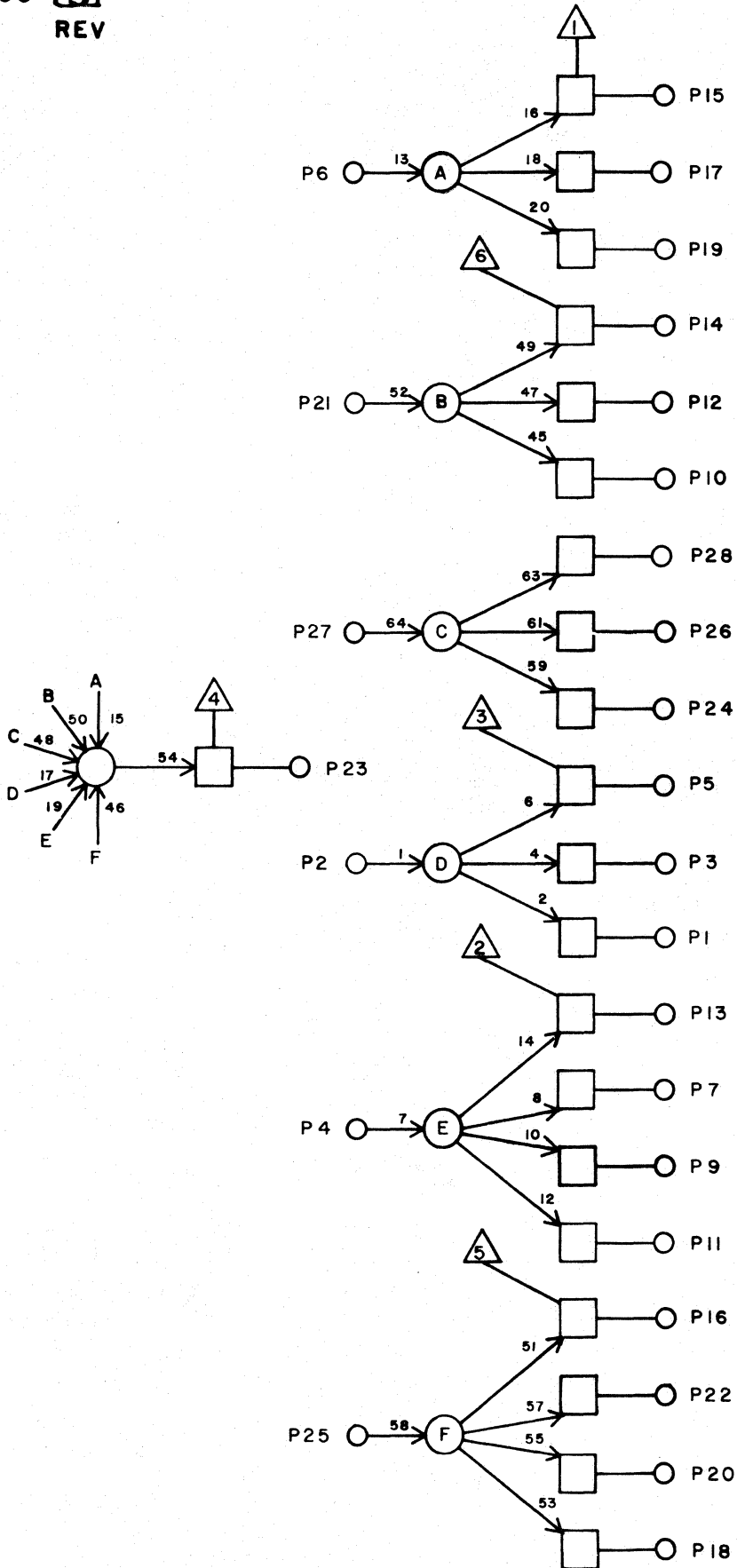
V06

1			
2			
3			
4			
5			
6			
7			
8			
9			
10			
11			
12			
13			
14			
15			
16			
17			
18			
19			
20			
21			
22			
23			
24			
25			
26			
27			
28			

JACK PIN LG

60042700 Rev. P

CIRCUIT SPECIFICATION 11827600



1			
2			
3			
4			
5			
6			
7			
8			
9			
10			
11			
12			
13			
14			
15			
16			
17			
18			
19			
20			
21			
22			
23			
24			
25			
26			
27			
28			

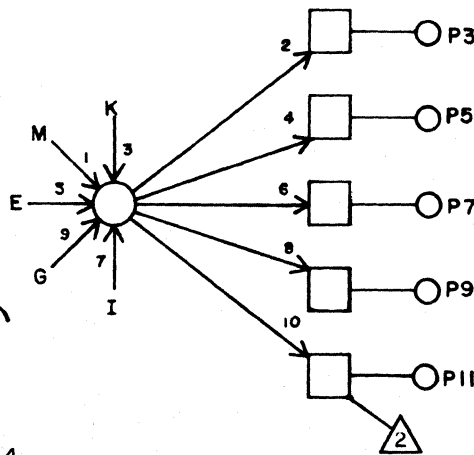
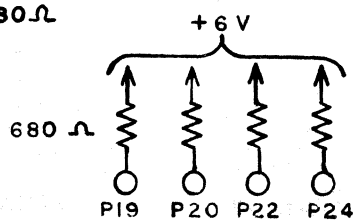
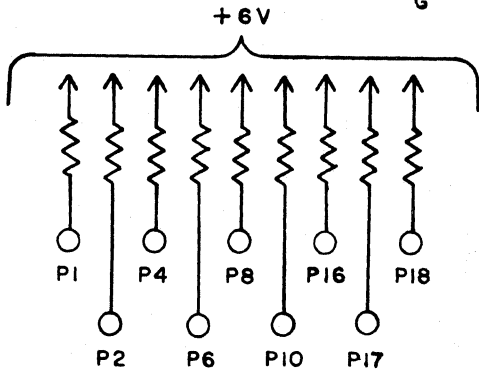
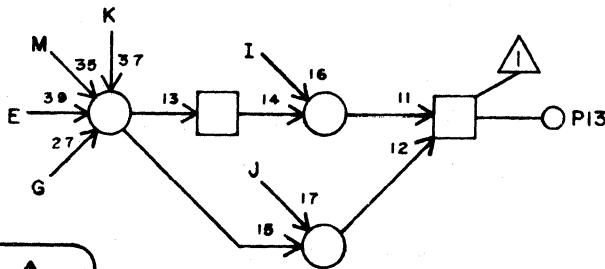
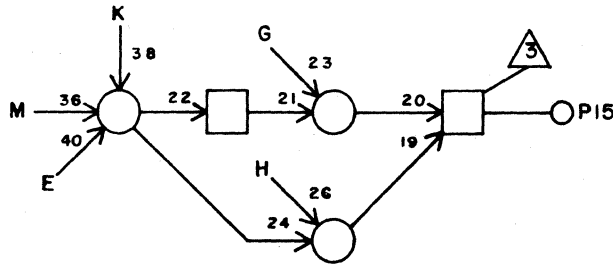
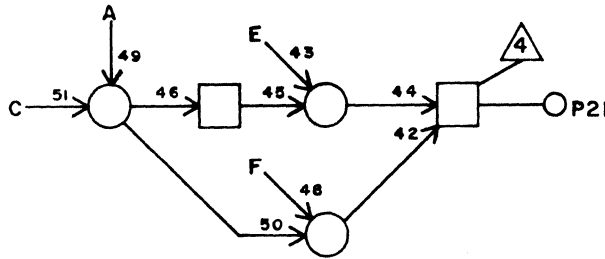
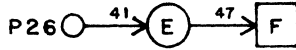
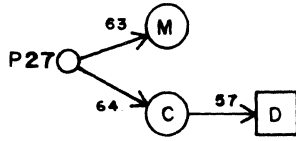
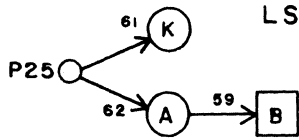
JACK PIN LG

60042700 Rev. K

**CIRCUIT SPECIFICATION 11827600**

LS 17945800 D  
 ASSY REV


V08



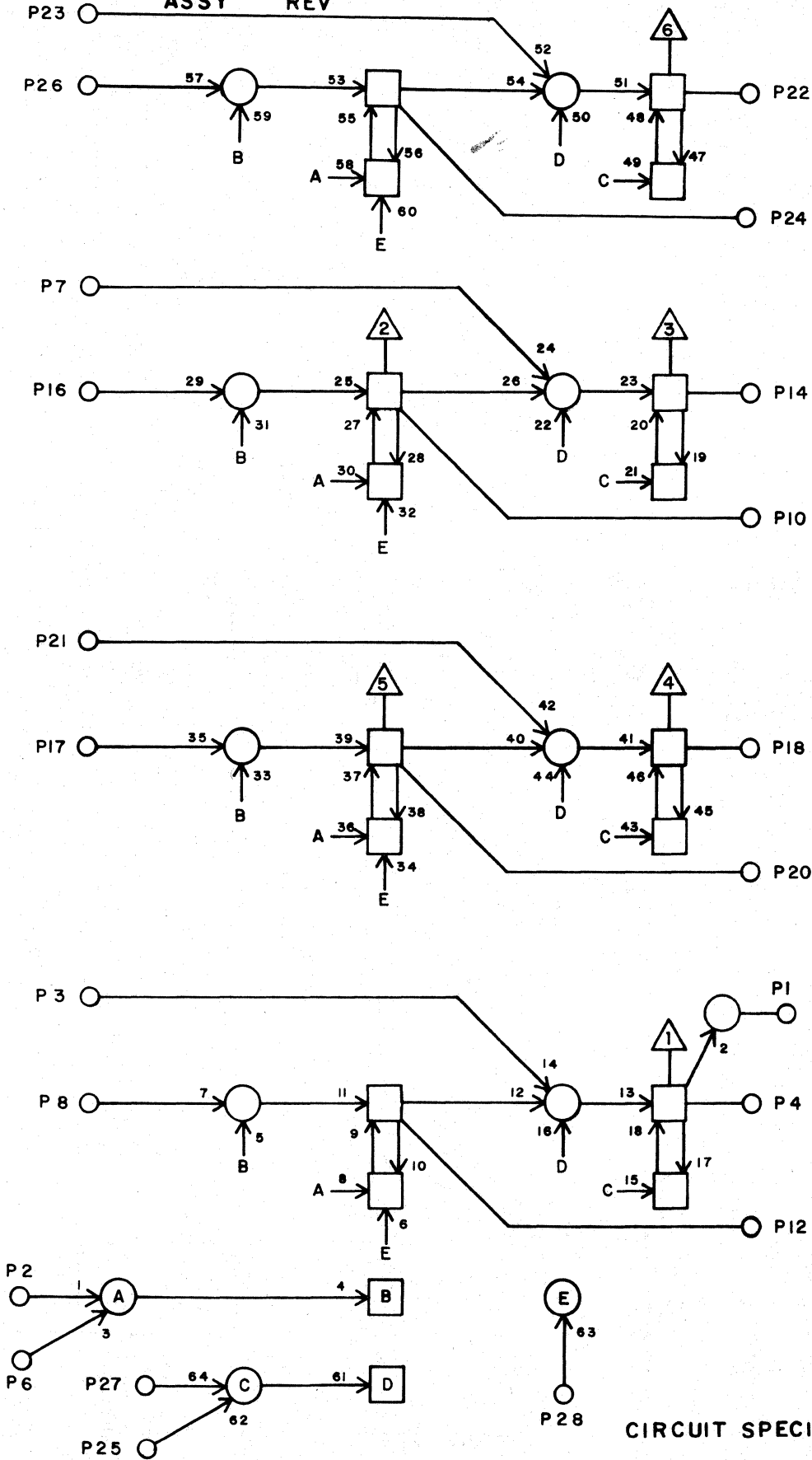
1			
2			
3			
4			
5			
6			
7			
8			
9			
10			
11			
12			
13			
14			
15			
16			
17			
18			
19			
20			
21			
22			
23			
24			
25			
26			
27			
28			

JACK PIN LG  
 60042700 Rev. P

CIRCUIT SPECIFICATION 11827600

LS 17950300  REV  
 ASSY

V09



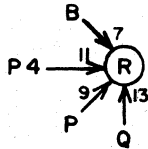
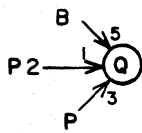
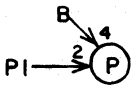
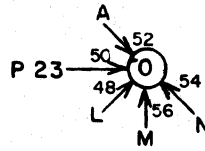
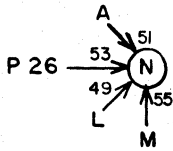
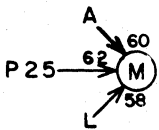
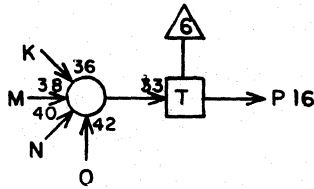
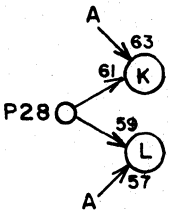
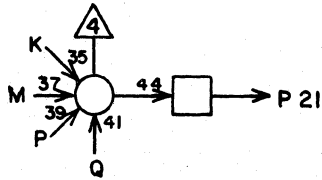
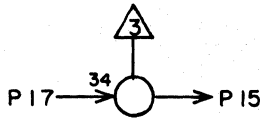
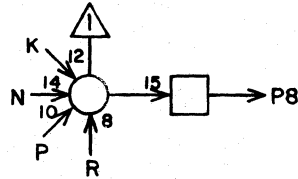
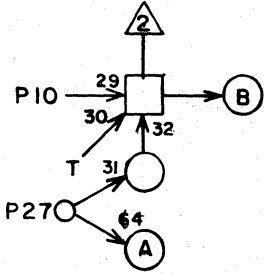
1			
2			
3			
4			
5			
6			
7			
8			
9			
10			
11			
12			
13			
14			
15			
16			
17			
18			
19			
20			
21			
22			
23			
24			
25			
26			
27			
28			

JACK PIN LG

CIRCUIT SPECIFICATIONS 11827600  
 60042700 Rev. P

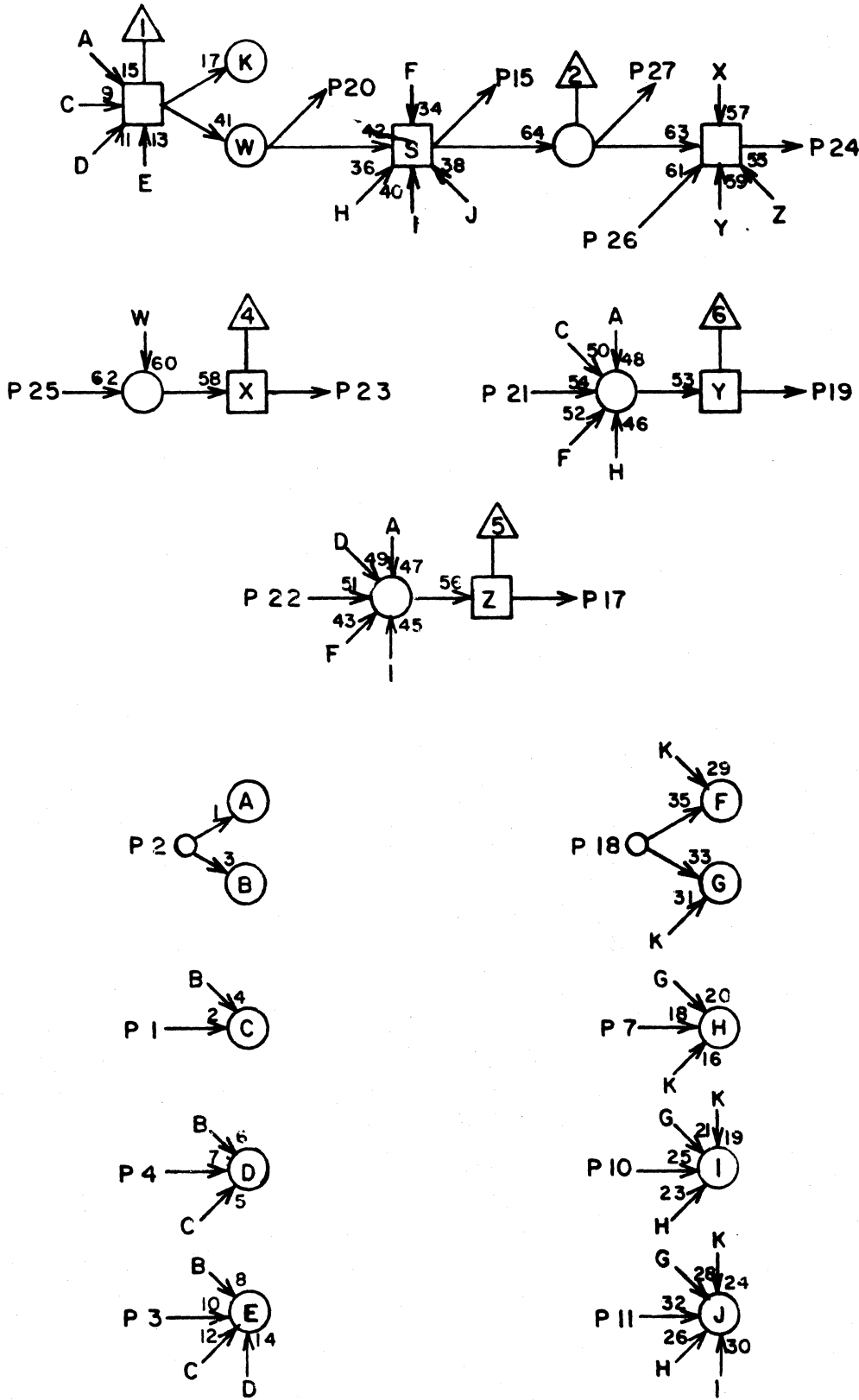






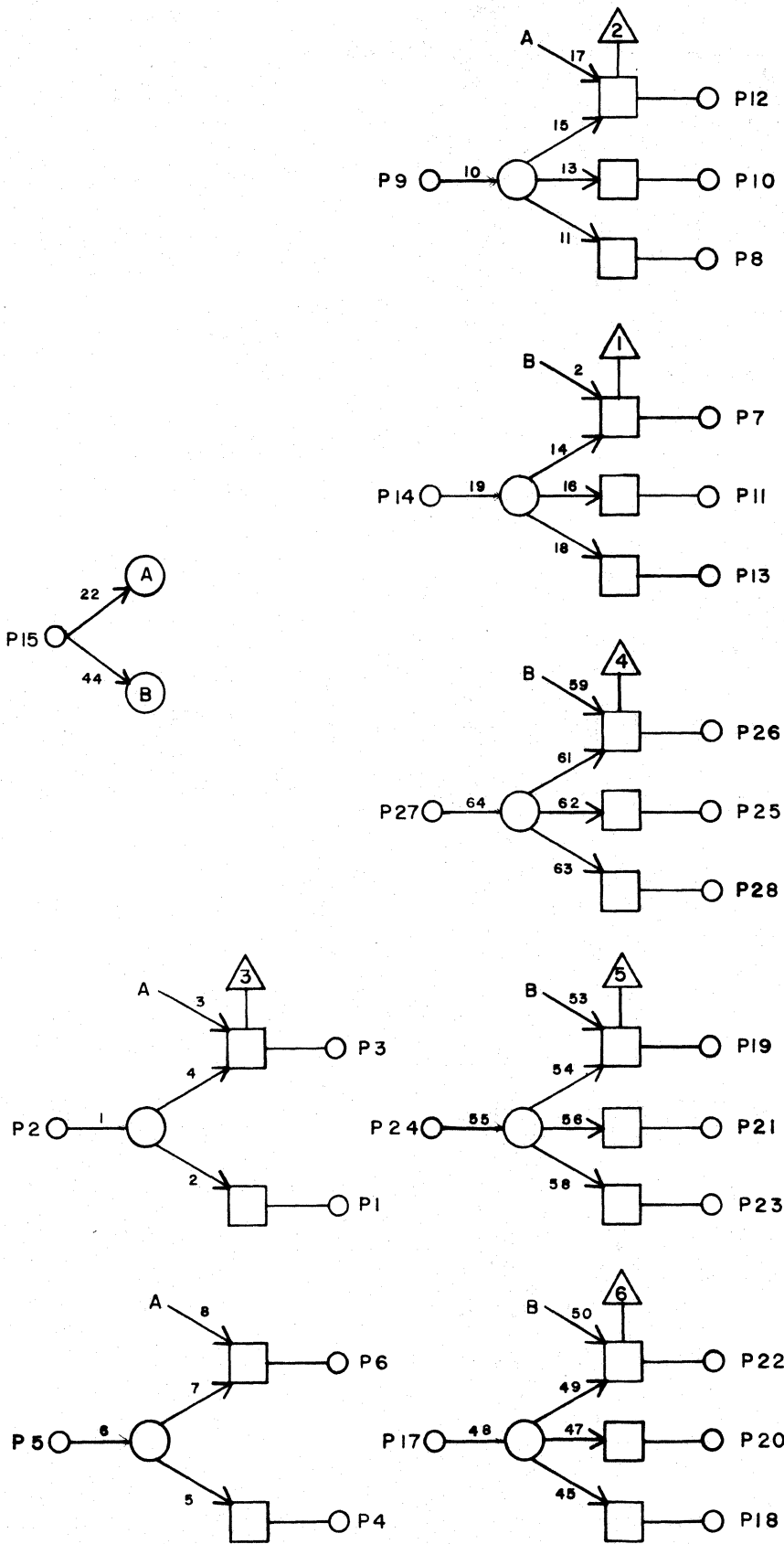
1			
2			
3			
4			
5			
6			
7			
8			
9			
10			
11			
12			
13			
14			
15			
16			
17			
18			
19			
20			
21			
22			
23			
24			
25			
26			
27			
28			

JACK PIN LG



1		
2		
3		
4		
5		
6		
7		
8		
9		
10		
11		
12		
13		
14		
15		
16		
17		
18		
19		
20		
21		
22		
23		
24		
25		
26		
27		
28		

JACK PIN LG

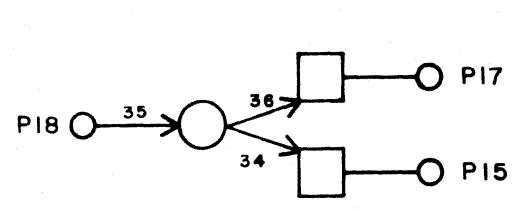
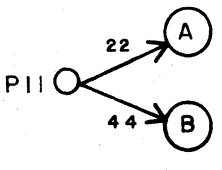
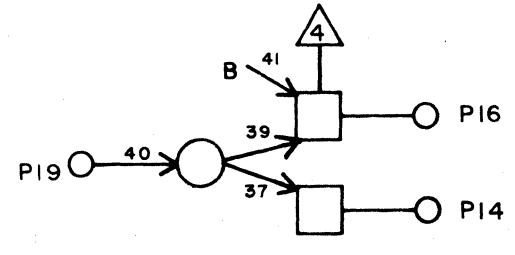
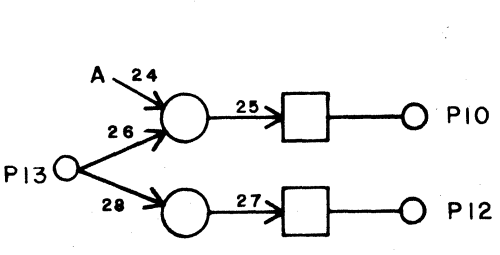
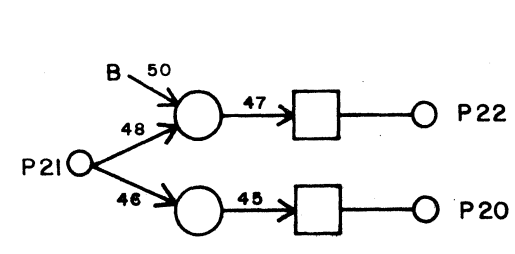
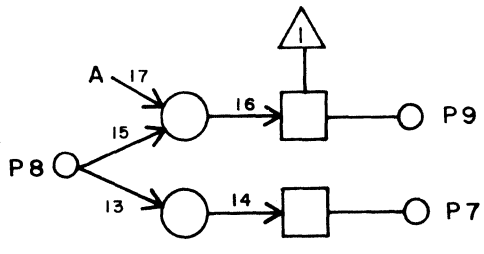
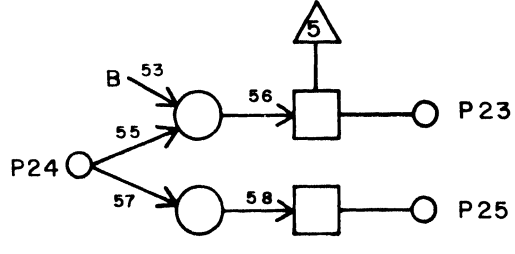
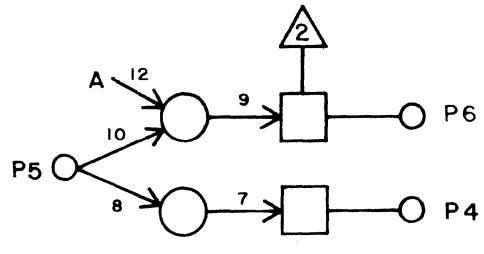
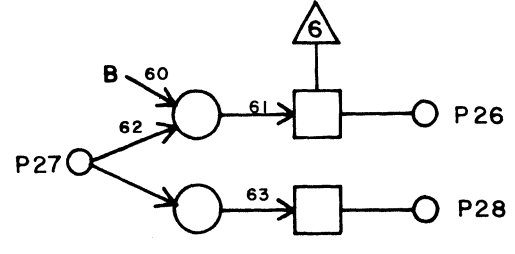
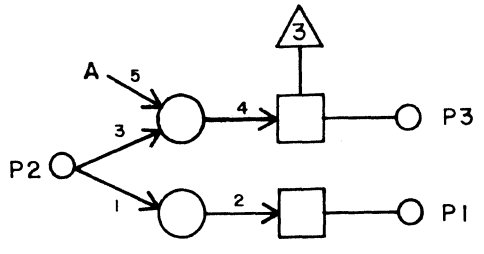


1			
2			
3			
4			
5			
6			
7			
8			
9			
10			
11			
12			
13			
14			
15			
16			
17			
18			
19			
20			
21			
22			
23			
24			
25			
26			
27			
28			

JACK PIN LG

CIRCUIT SPECIFICATION

11827600  
 60042700 Rev. K

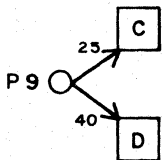
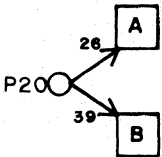
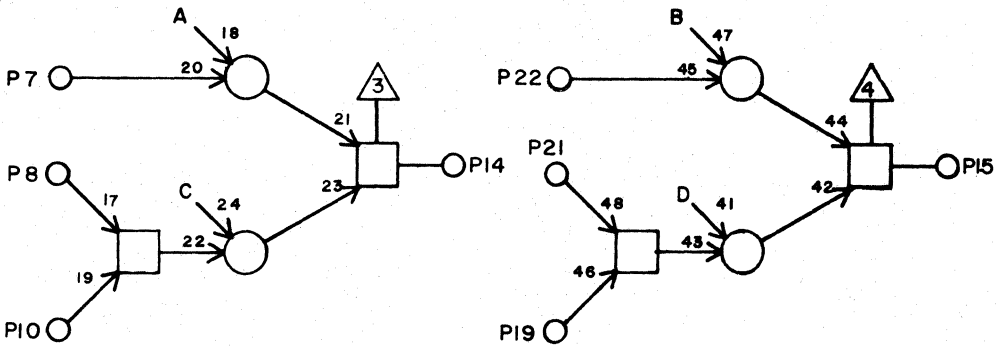
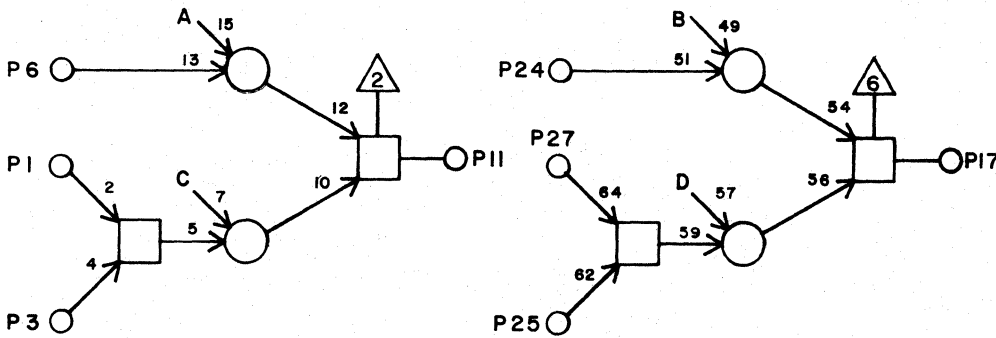
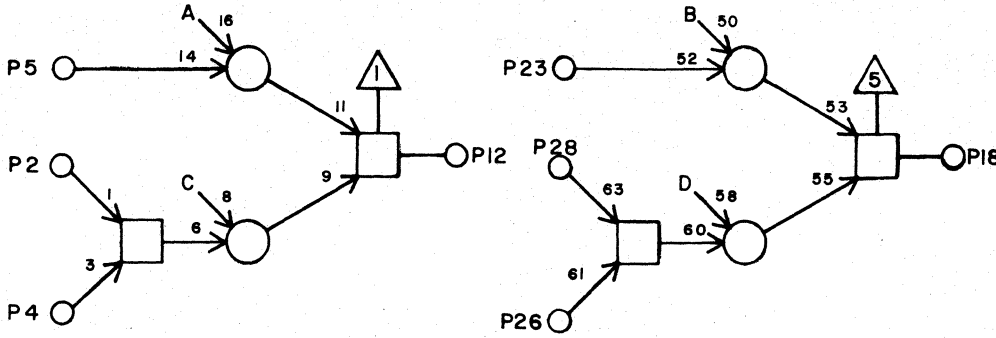


1			
2			
3			
4			
5			
6			
7			
8			
9			
10			
11			
12			
13			
14			
15			
16			
17			
18			
19			
20			
21			
22			
23			
24			
25			
26			
27			
28			

JACK PIN LG

LS 17917000 ASSY REV B

VI5

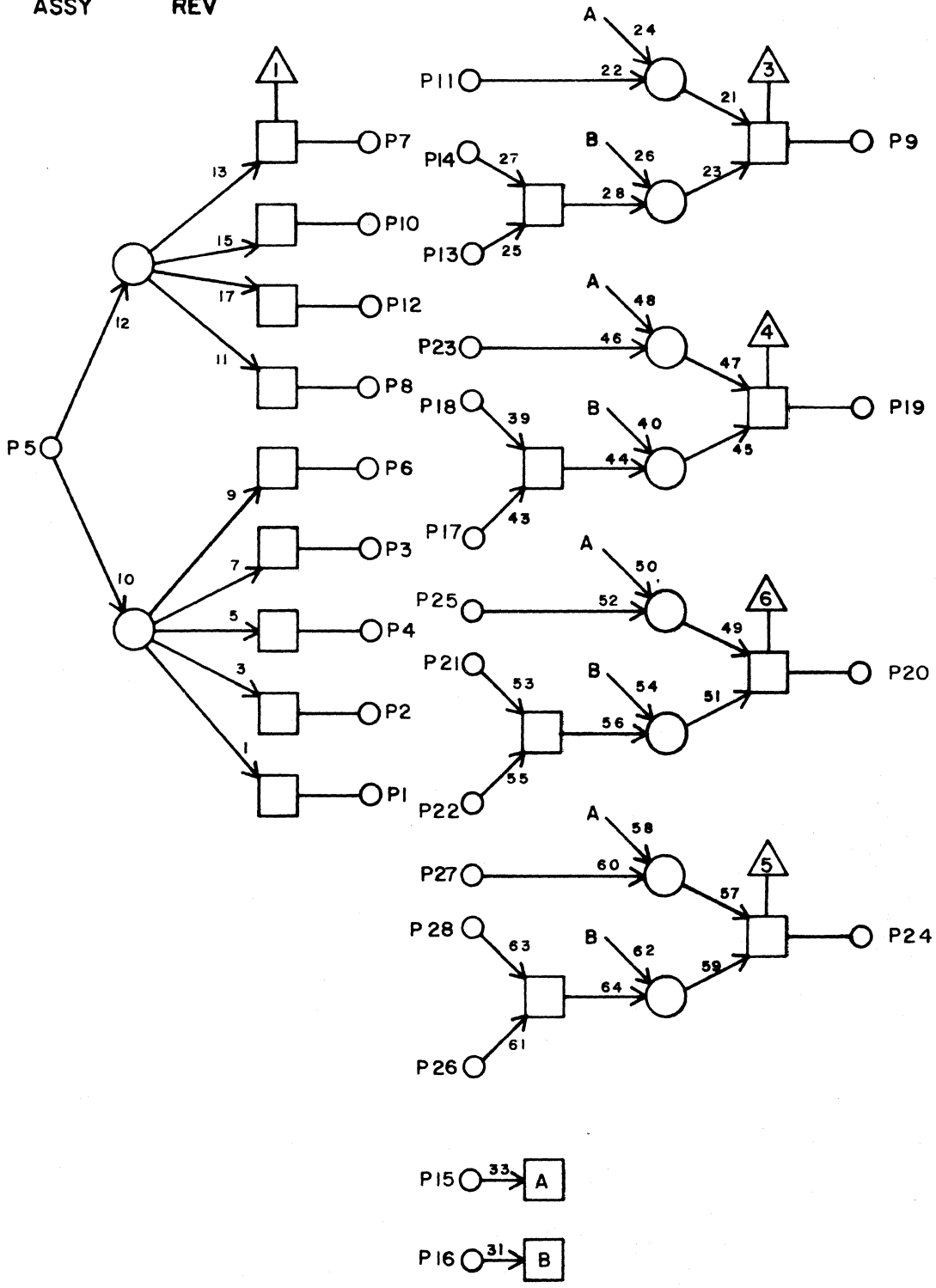
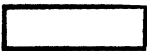


1			
2			
3			
4			
5			
6			
7			
8			
9			
10			
11			
12			
13			
14			
15			
16			
17			
18			
19			
20			
21			
22			
23			
24			
25			
26			
27			
28			

JACK PIN LG

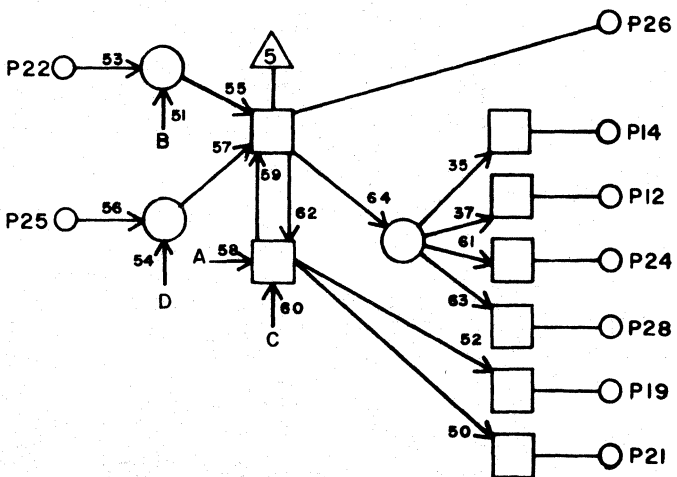
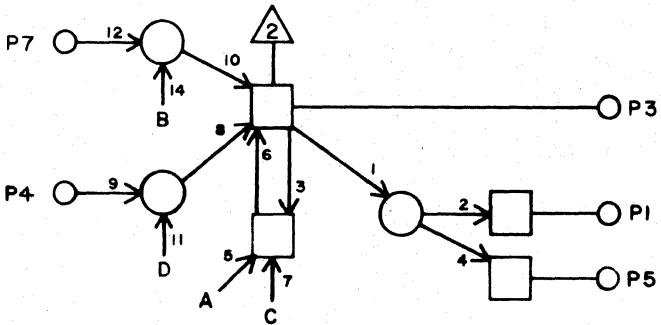
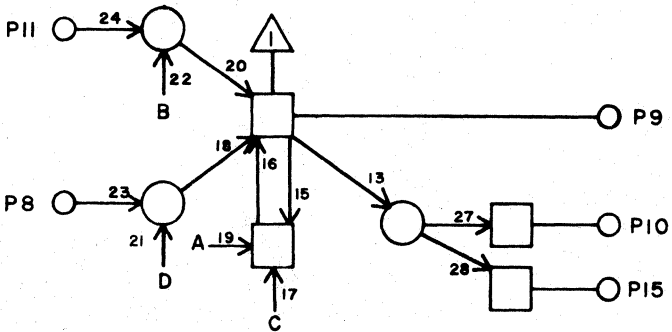
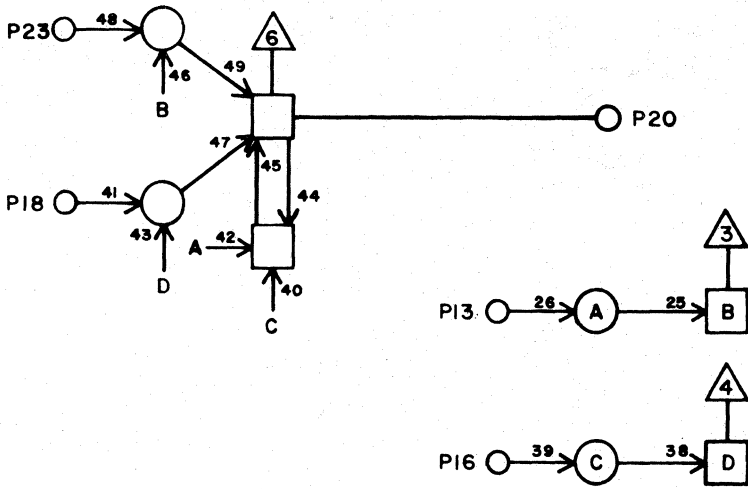
60042700 Rev. K

CIRCUIT SPECIFICATION 11827600



1			
2			
3			
4			
5			
6			
7			
8			
9			
10			
11			
12			
13			
14			
15			
16			
17			
18			
19			
20			
21			
22			
23			
24			
25			
26			
27			
28			

JACK PIN LG  
CIRCUIT SPECIFICATION 11827600



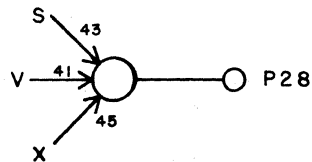
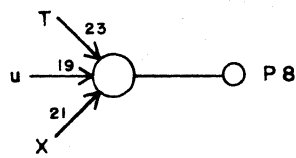
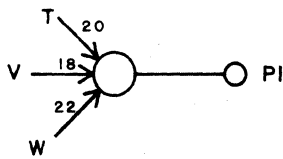
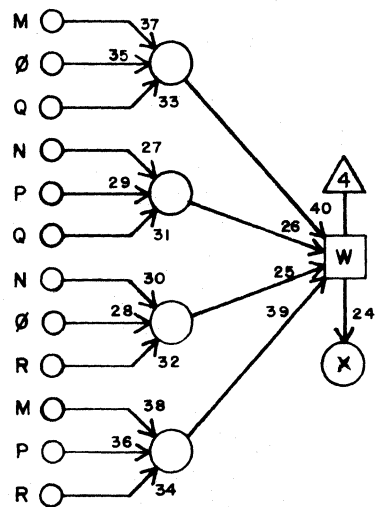
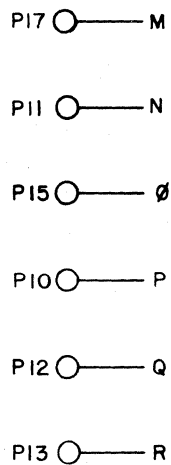
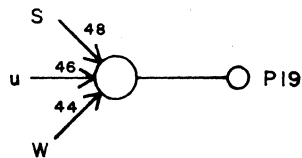
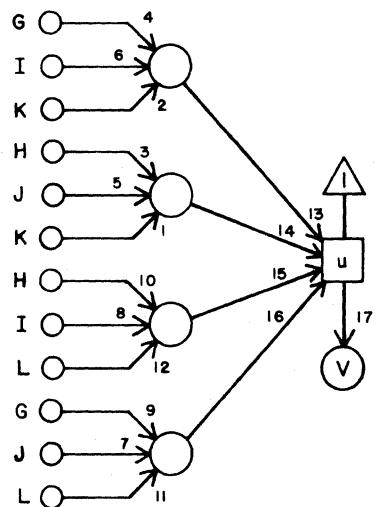
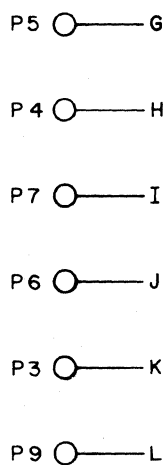
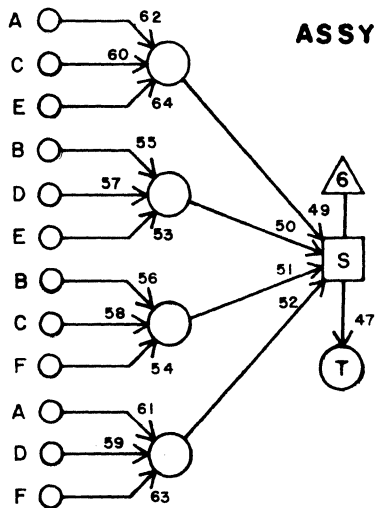
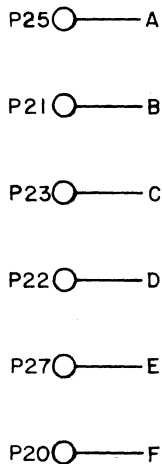
1			
2			
3			
4			
5			
6			
7			
8			
9			
10			
11			
12			
13			
14			
15			
16			
17			
18			
19			
20			
21			
22			
23			
24			
25			
26			
27			
28			

JACK PIN LG



LS 17946700 **LG**  
**ASSY REV**

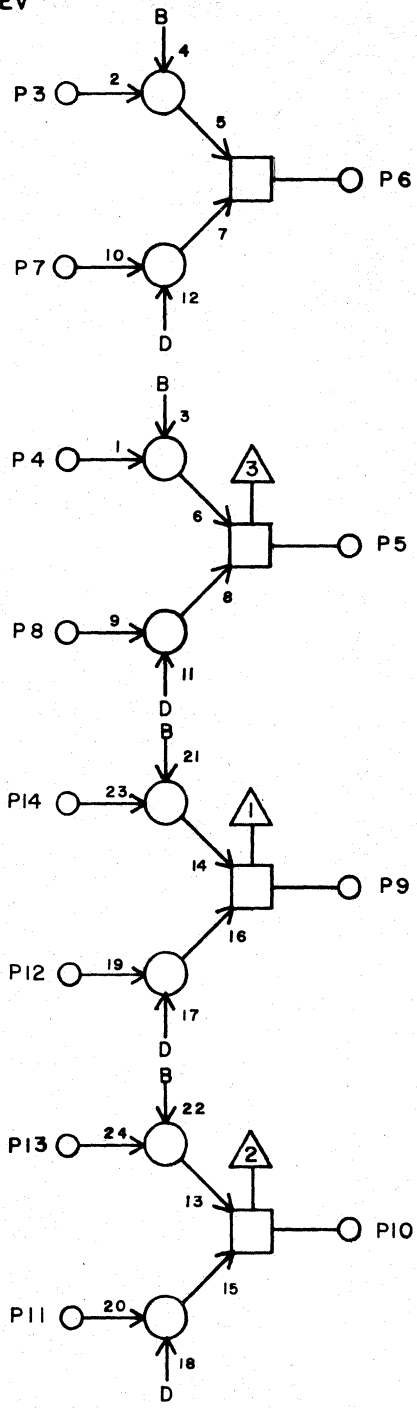
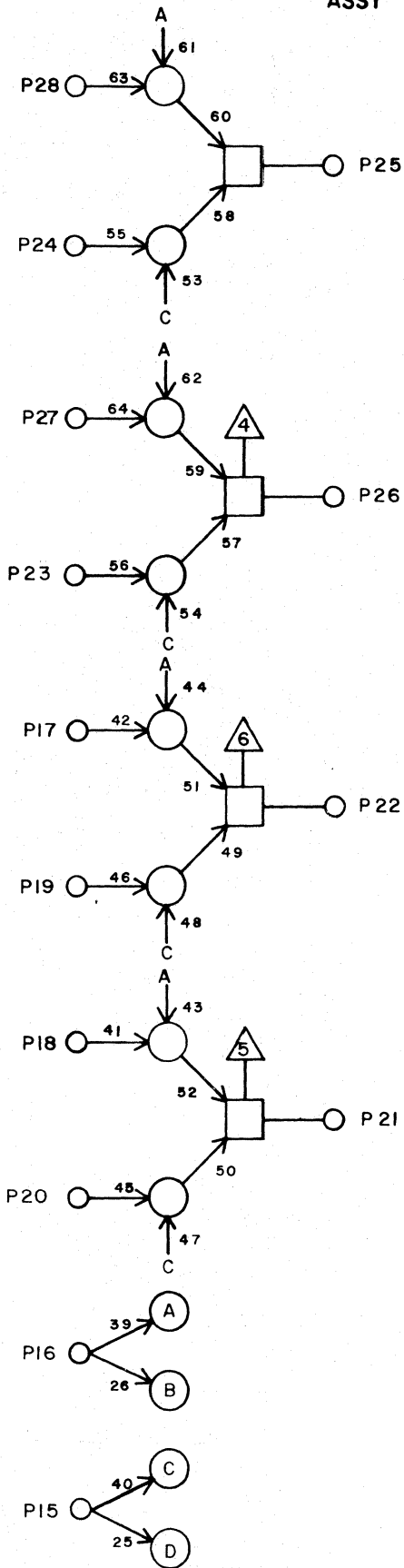
V18



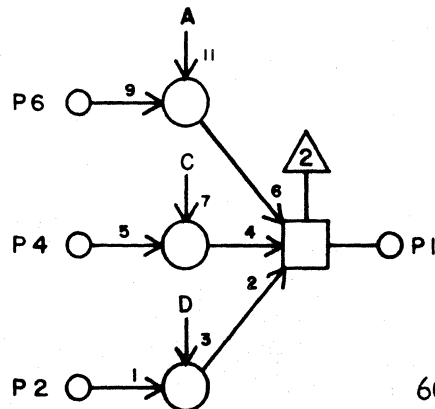
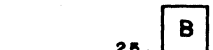
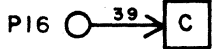
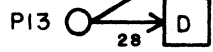
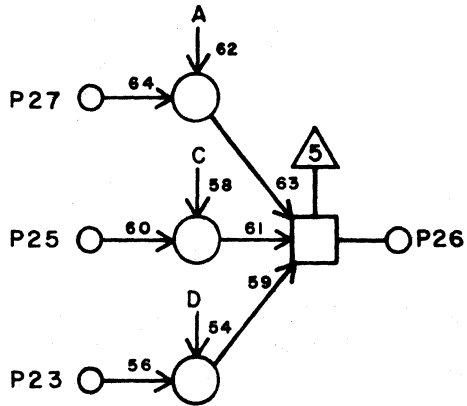
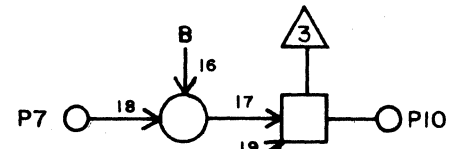
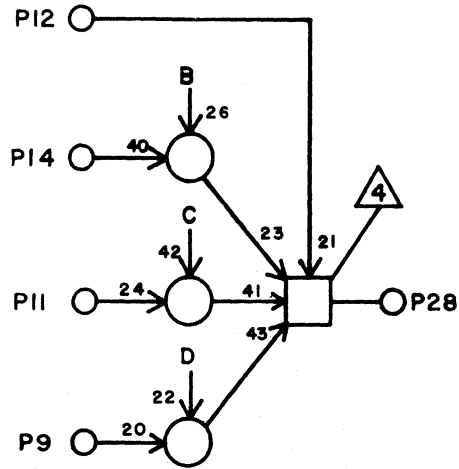
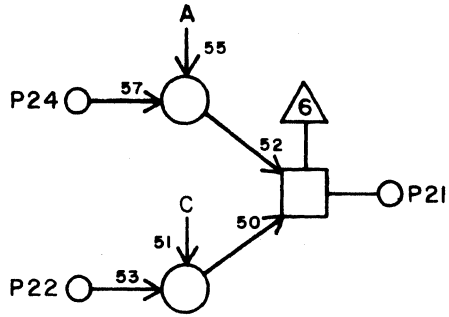
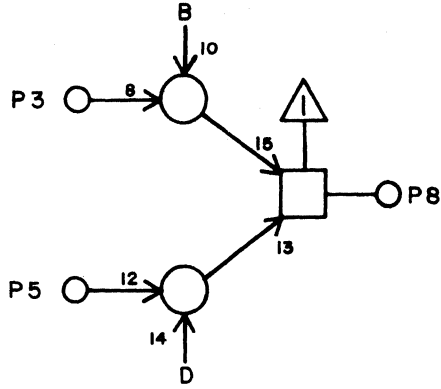
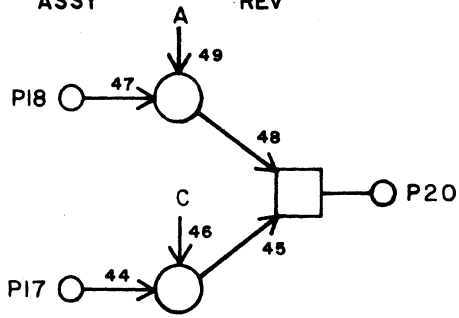
1			
2			
3			
4			
5			
6			
7			
8			
9			
10			
11			
12			
13			
14			
15			
16			
17			
18			
19			
20			
21			
22			
23			
24			
25			
26			
27			
28			

JACK PIN LG

ASSY REV



1			
2			
3			
4			
5			
6			
7			
8			
9			
10			
11			
12			
13			
14			
15			
16			
17			
18			
19			
20			
21			
22			
23			
24			
25			
26			
27			
28			



1			
2			
3			
4			
5			
6			
7			
8			
9			
10			
11			
12			
13			
14			
15			
16			
17			
18			
19			
20			
21			
22			
23			
24			
25			
26			
27			
28			

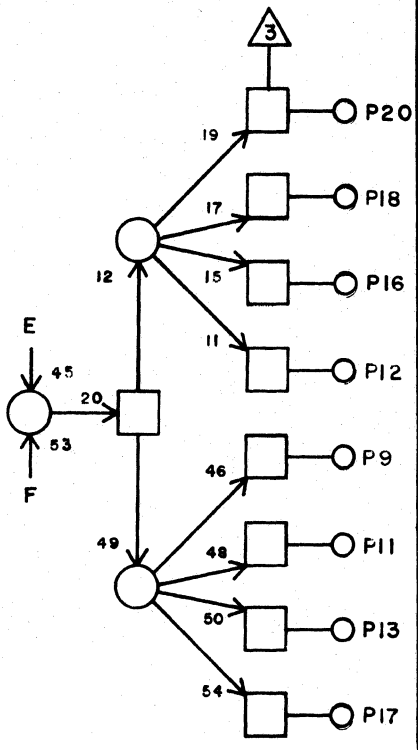
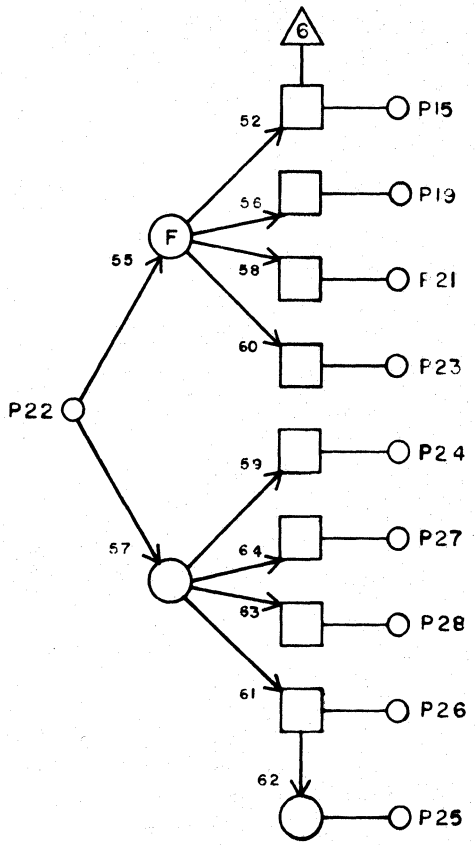
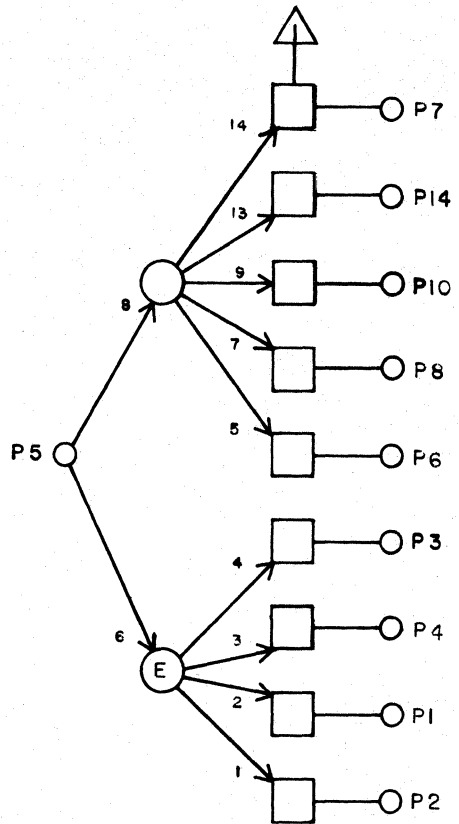
LS 17947100

**B**

V23

ASSY

REV



1			
2			
3			
4			
5			
6			
7			
8			
9			
10			
11			
12			
13			
14			
15			
16			
17			
18			
19			
20			
21			
22			
23			
24			
25			
26			
27			
28			

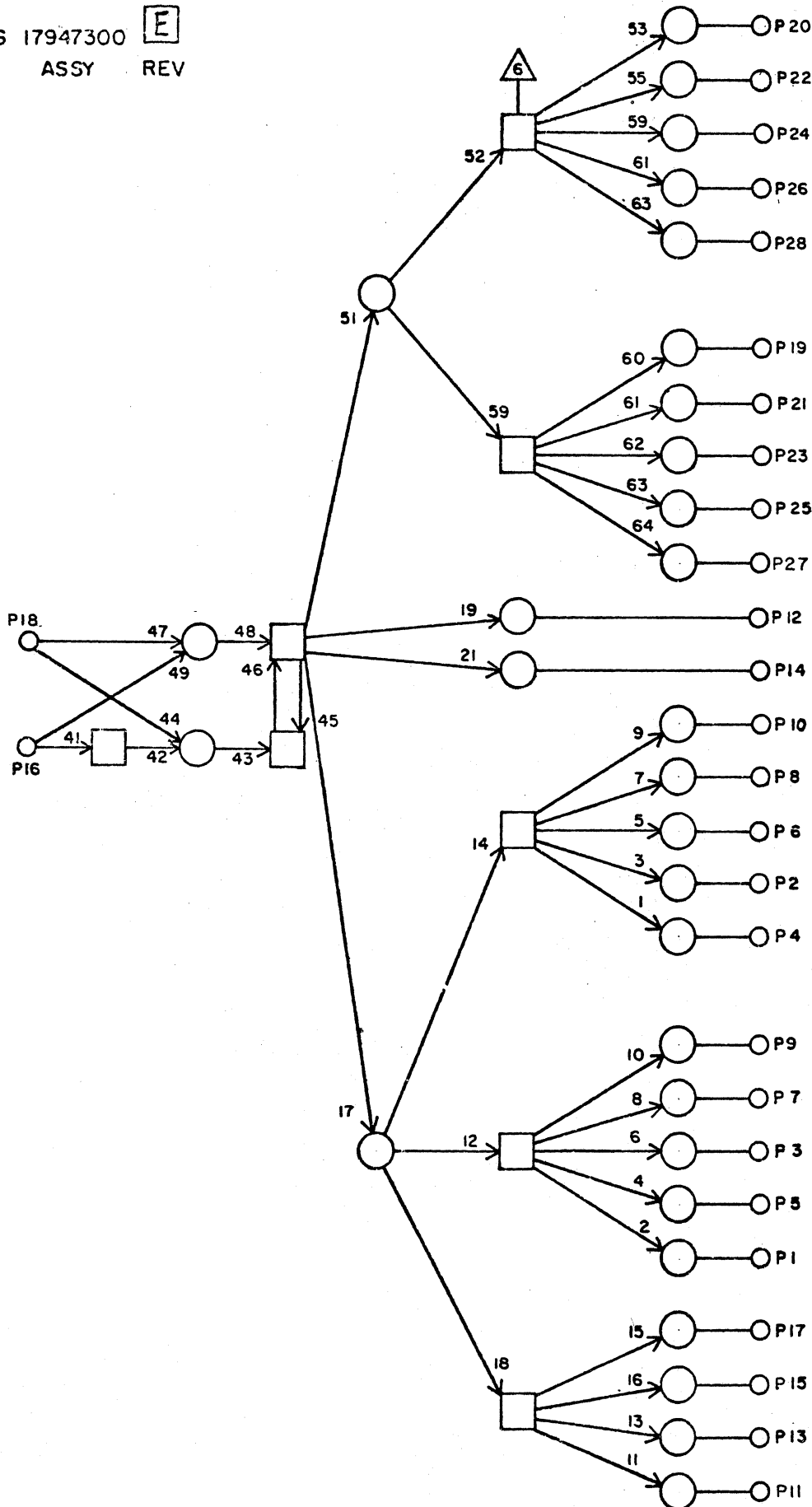
JACK PIN LG

60042700 Rev. K

CIRCUIT SPECIFICATION 11827600

LS 17947300 E  
 ASSY REV

V24



1			
2			
3			
4			
5			
6			
7			
8			
9			
10			
11			
12			
13			
14			
15			
16			
17			
18			
19			
20			
21			
22			
23			
24			
25			
26			
27			
28			

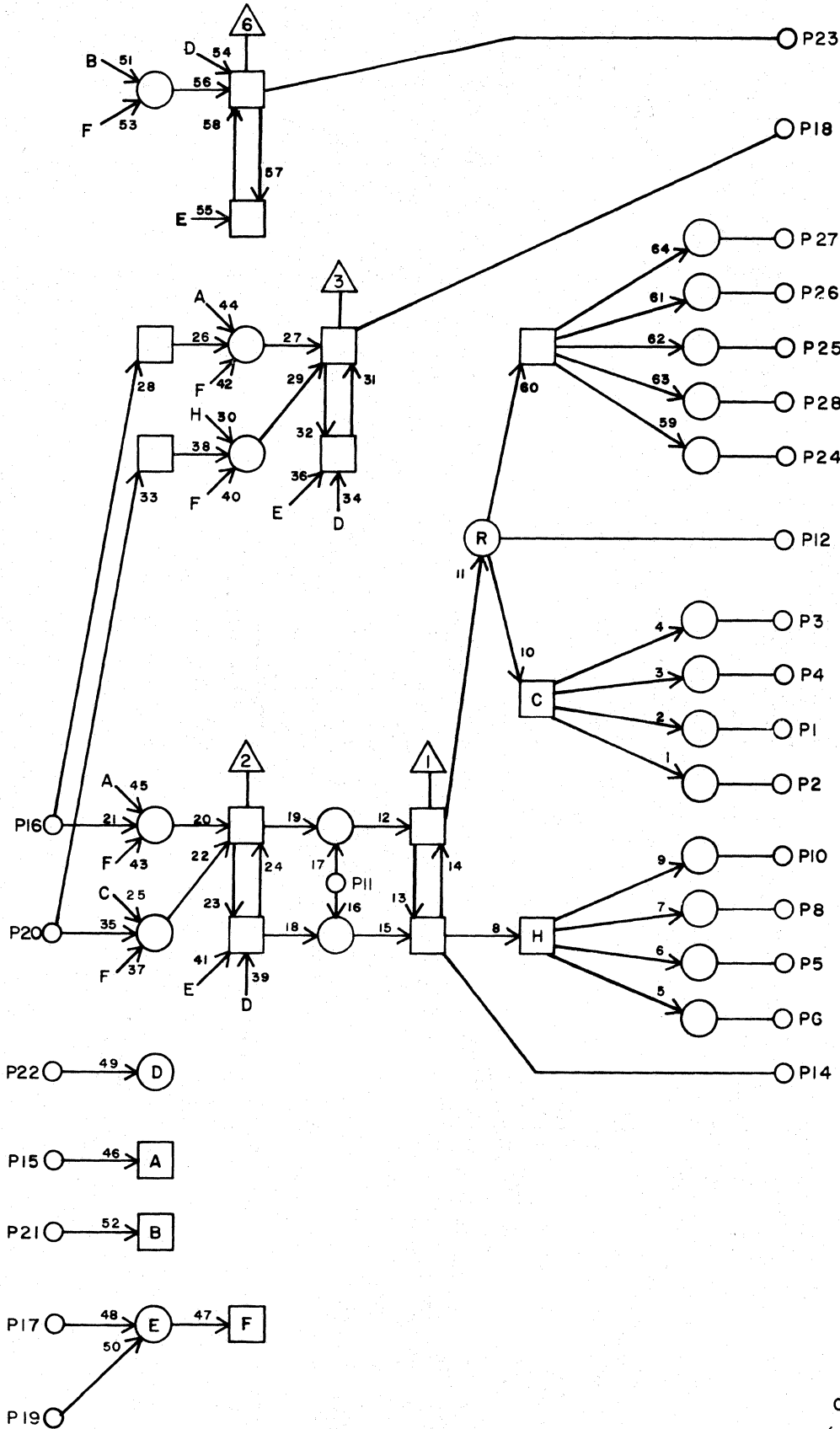
JACK PIN LG

60042700 Rev. Y  
 CIRCUIT SPECIFICATION  
 11827600

LS 17950900  
ASSY

**B**  
REV

V25



1			
2			
3			
4			
5			
6			
7			
8			
9			
10			
11			
12			
13			
14			
15			
16			
17			
18			
19			
20			
21			
22			
23			
24			
25			
26			
27			
28			

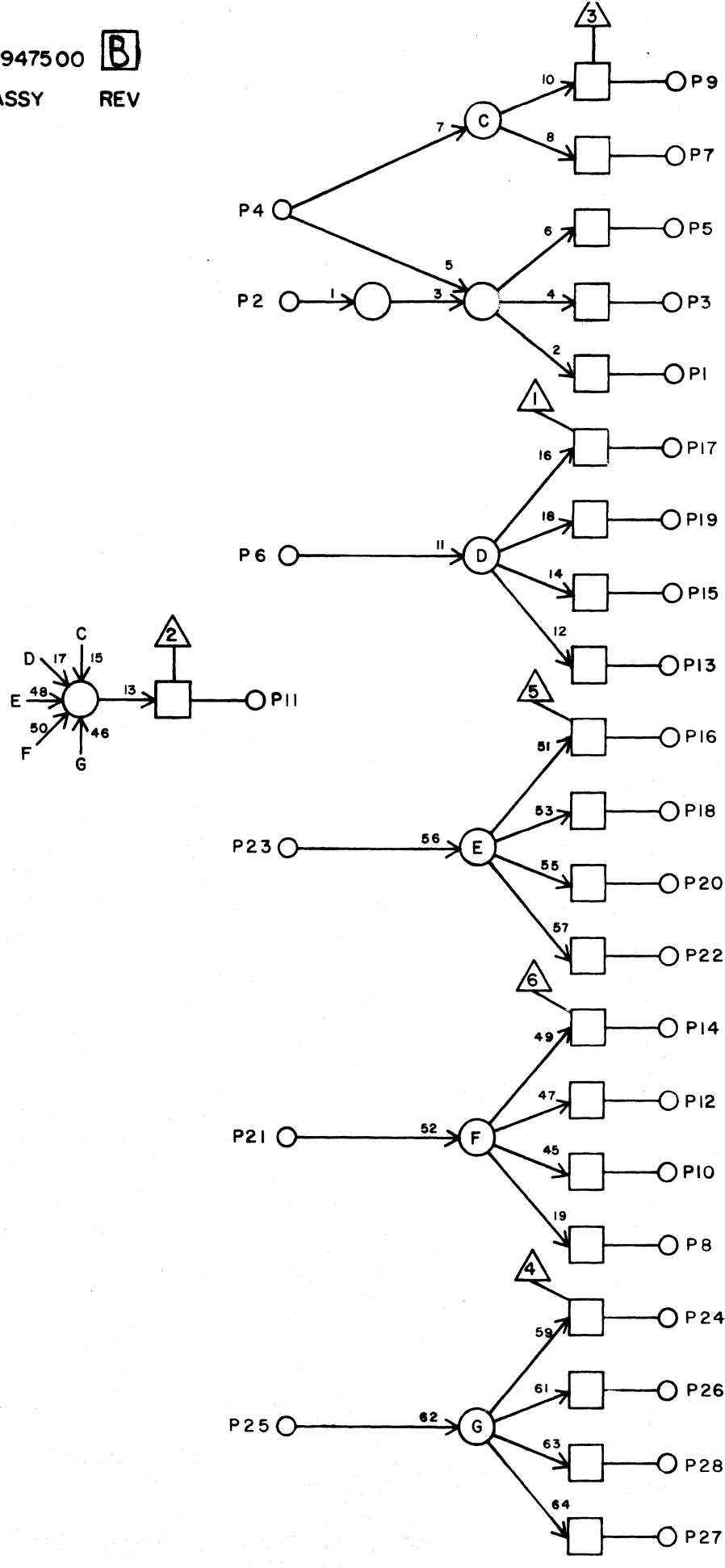
JACK PIN LG

CIRCUIT SPECIFICATION 11827600  
60042700 Rev. K

LS 17947500

**B**

ASSY REV



V26

1			
2			
3			
4			
5			
6			
7			
8			
9			
10			
11			
12			
13			
14			
15			
16			
17			
18			
19			
20			
21			
22			
23			
24			
25			
26			
27			
28			

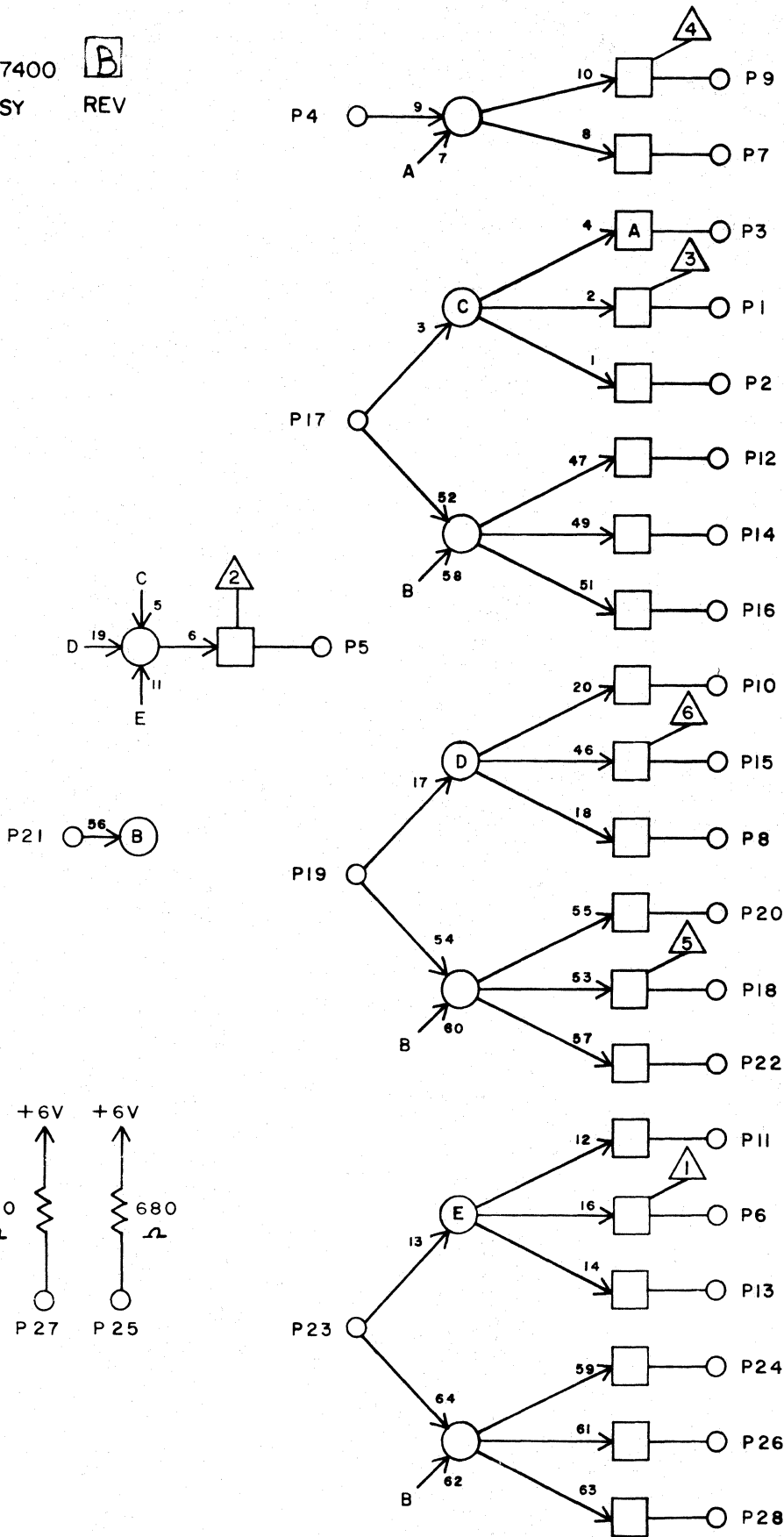
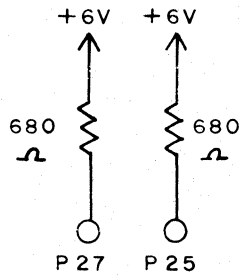
JACK PIN LG

60042700 Rev. K  
CIRCUIT SPECIFICATION 11827600

LS 17917400  
ASSY

**B**  
REV

V27



1			
2			
3			
4			
5			
6			
7			
8			
9			
10			
11			
12			
13			
14			
15			
16			
17			
18			
19			
20			
21			
22			
23			
24			
25			
26			
27			
28			

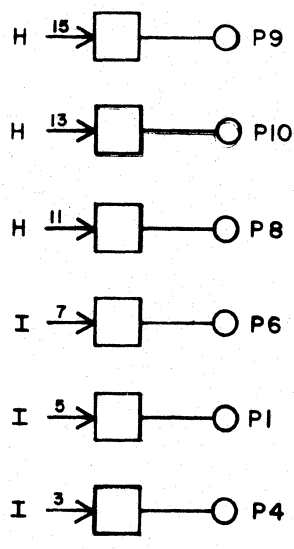
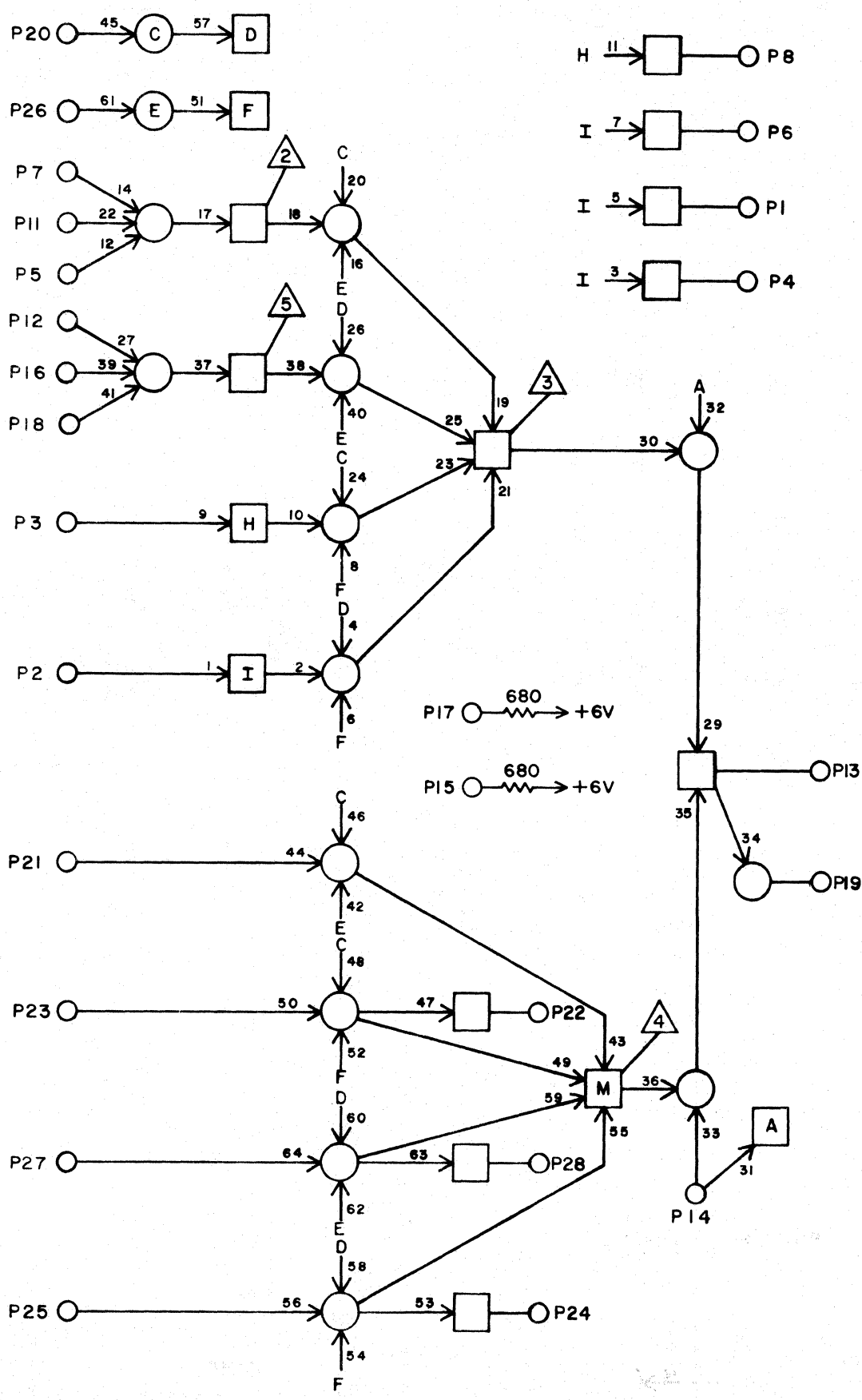
JACK PIN LG

60042700 Rev. K

CIRCUIT SPECIFICATION 11827600

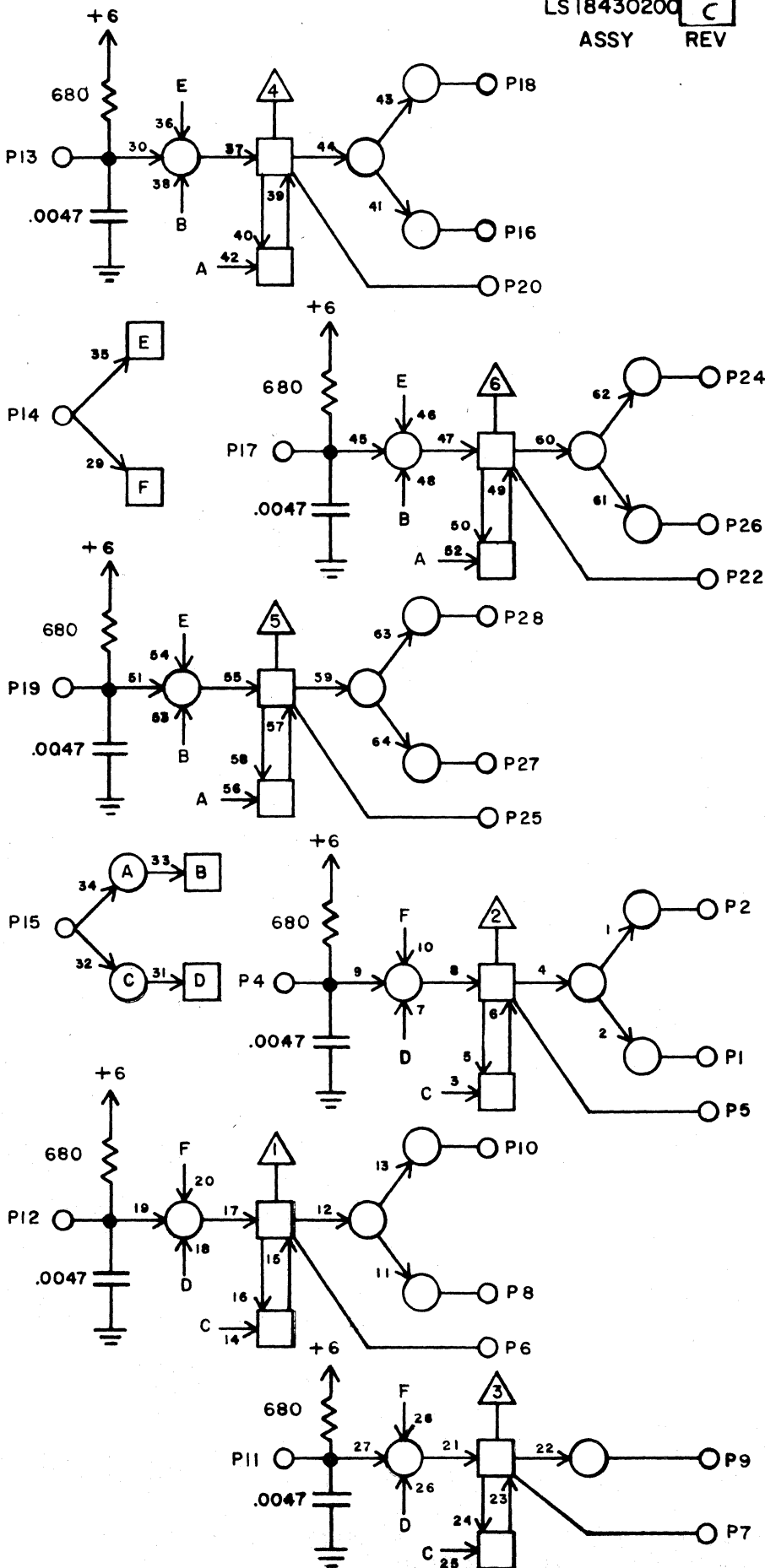






1			
2			
3			
4			
5			
6			
7			
8			
9			
10			
11			
12			
13			
14			
15			
16			
17			
18			
19			
20			
21			
22			
23			
24			
25			
26			
27			
28			

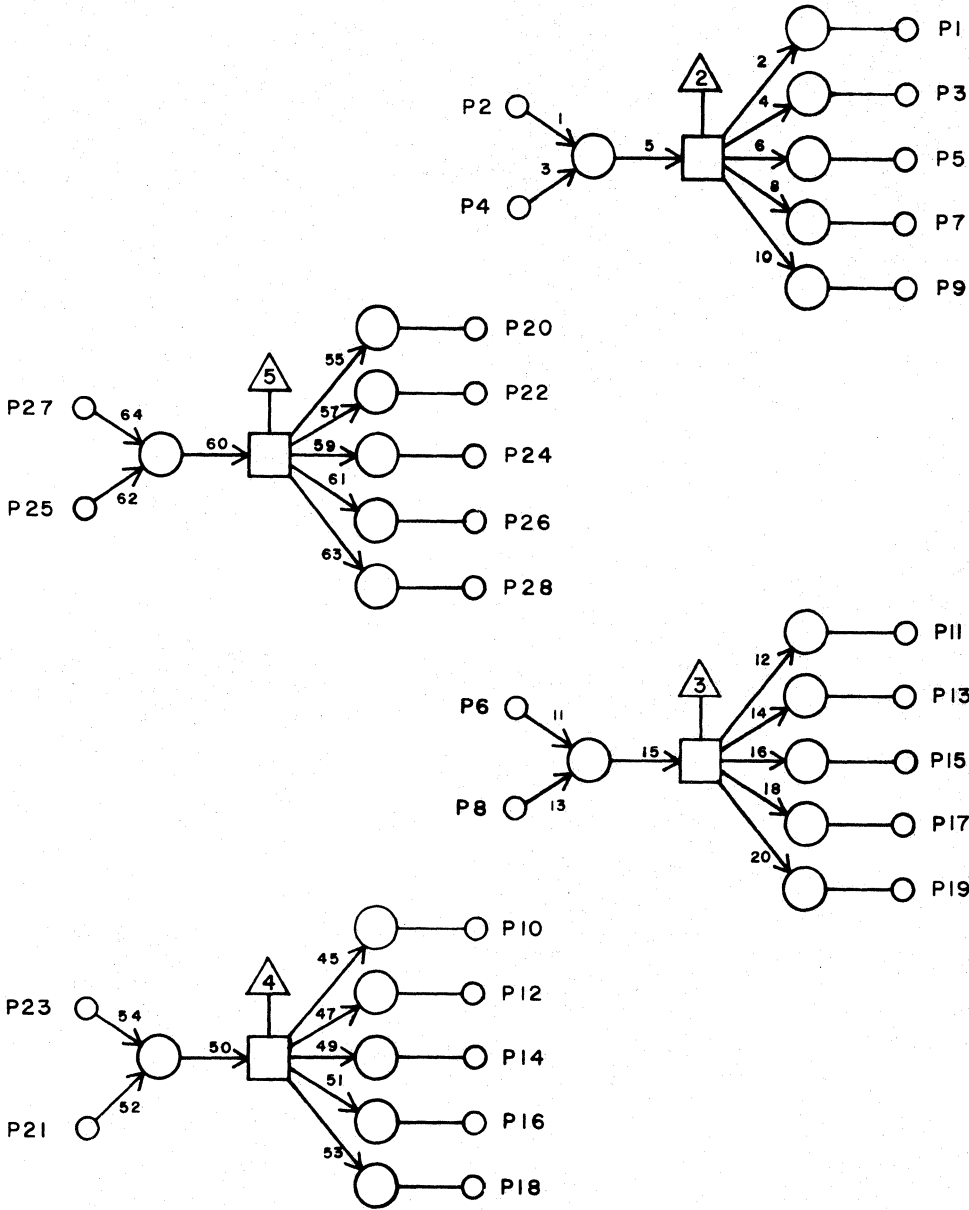
JACK PIN LG



1			
2			
3			
4			
5			
6			
7			
8			
9			
10			
11			
12			
13			
14			
15			
16			
17			
18			
19			
20			
21			
22			
23			
24			
25			
26			
27			
28			

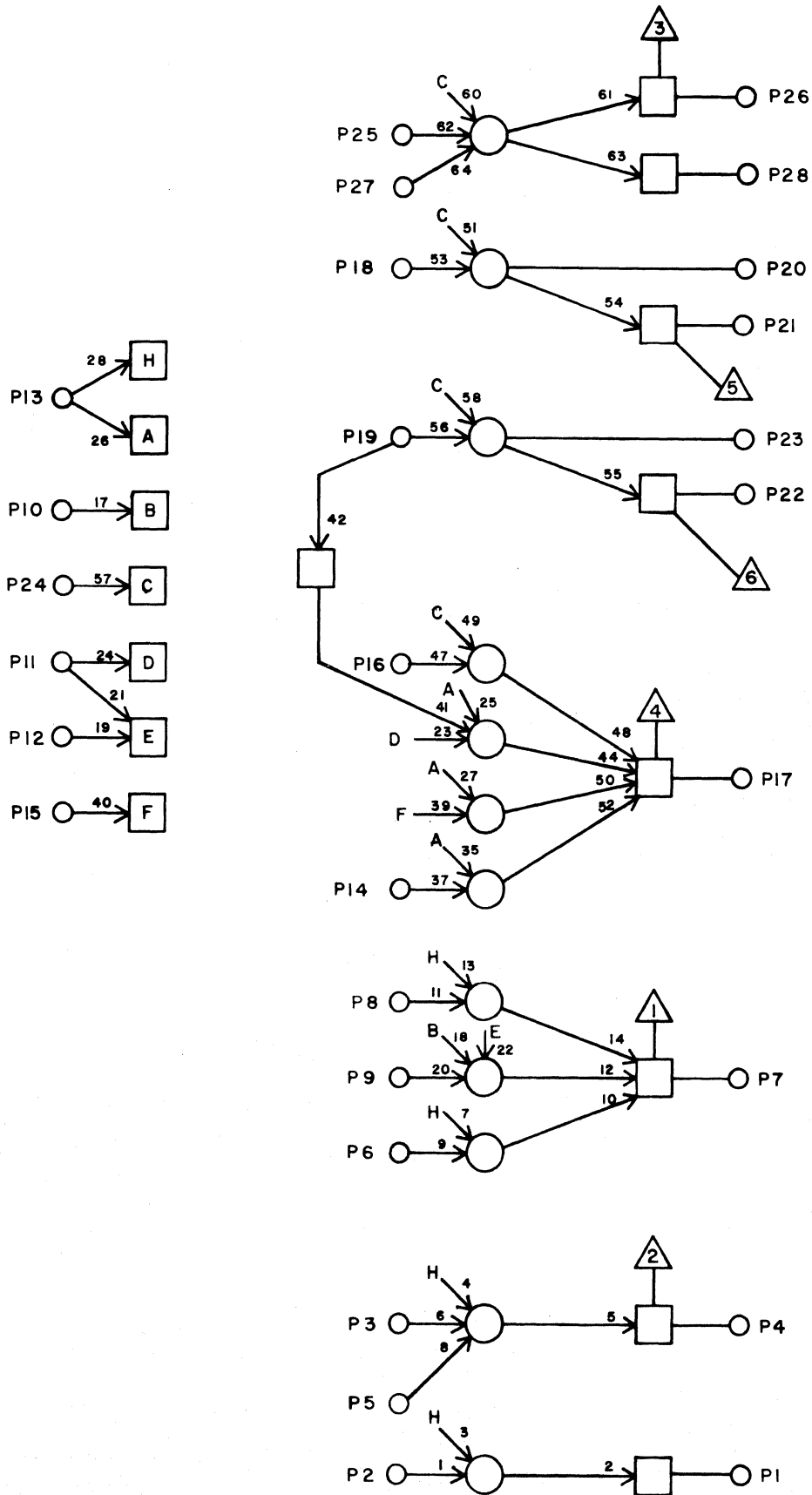
JACK PIN LG

CIRCUIT SPECIFICATION 11827600,  
 52000018



1			
2			
3			
4			
5			
6			
7			
8			
9			
10			
11			
12			
13			
14			
15			
16			
17			
18			
19			
20			
21			
22			
23			
24			
25			
26			
27			
28			

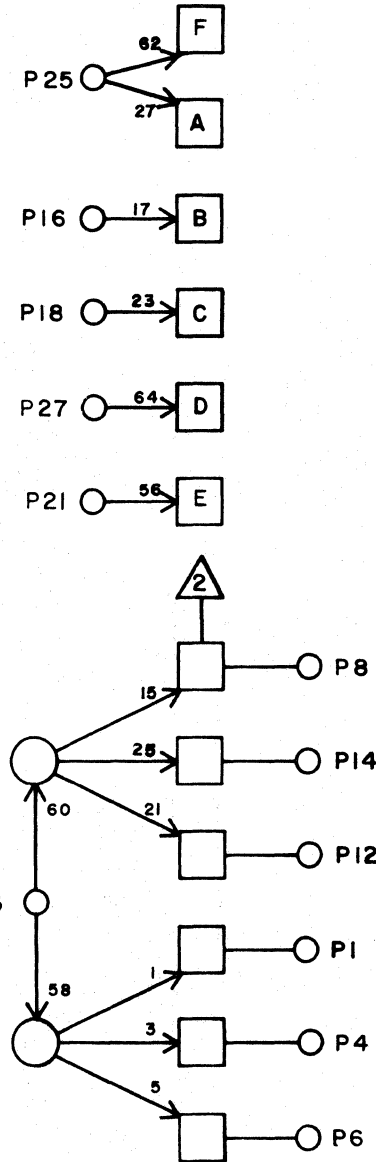
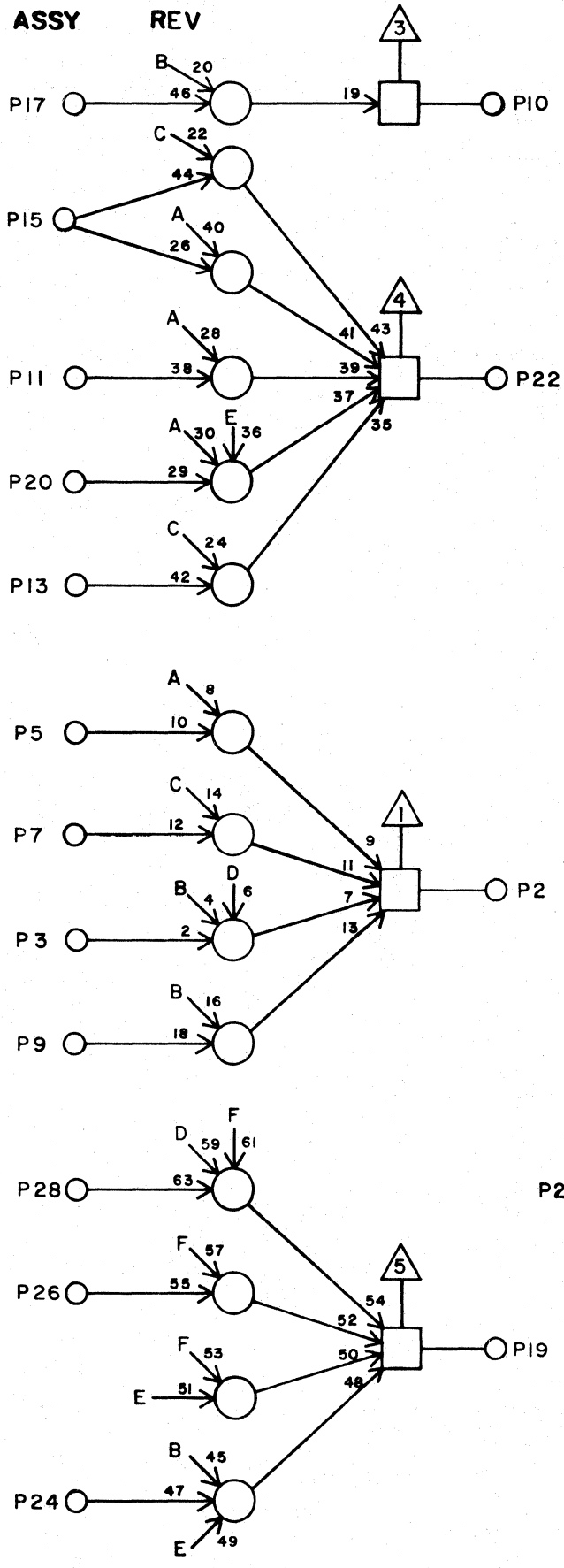
JACK PIN LG



1			
2			
3			
4			
5			
6			
7			
8			
9			
10			
11			
12			
13			
14			
15			
16			
17			
18			
19			
20			
21			
22			
23			
24			
25			
26			
27			
28			

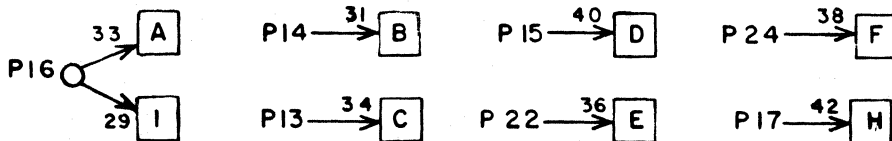
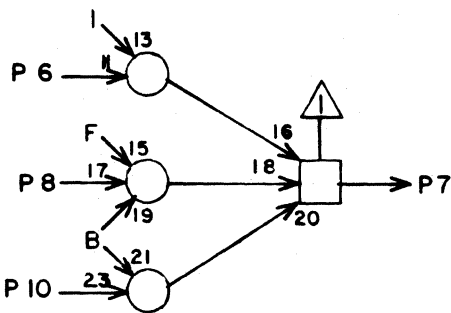
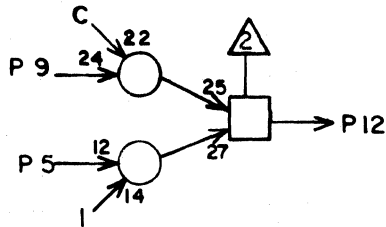
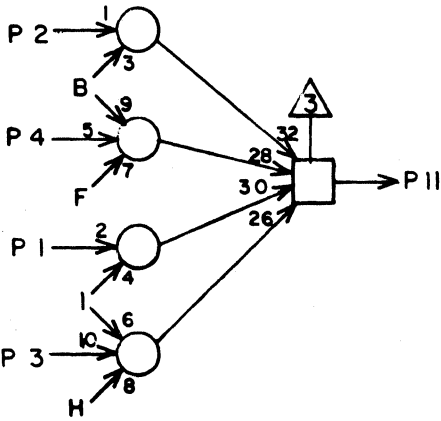
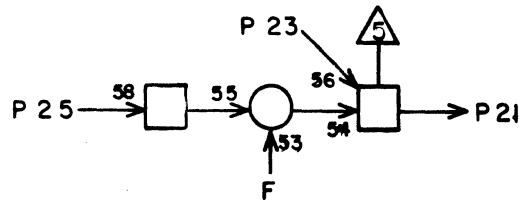
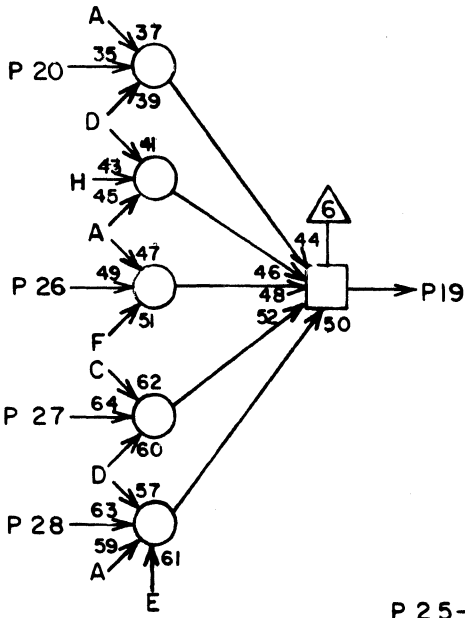
JACK PIN LG

60042700 Rev. K



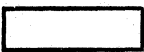
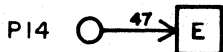
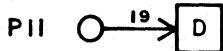
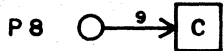
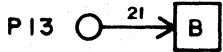
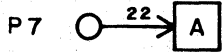
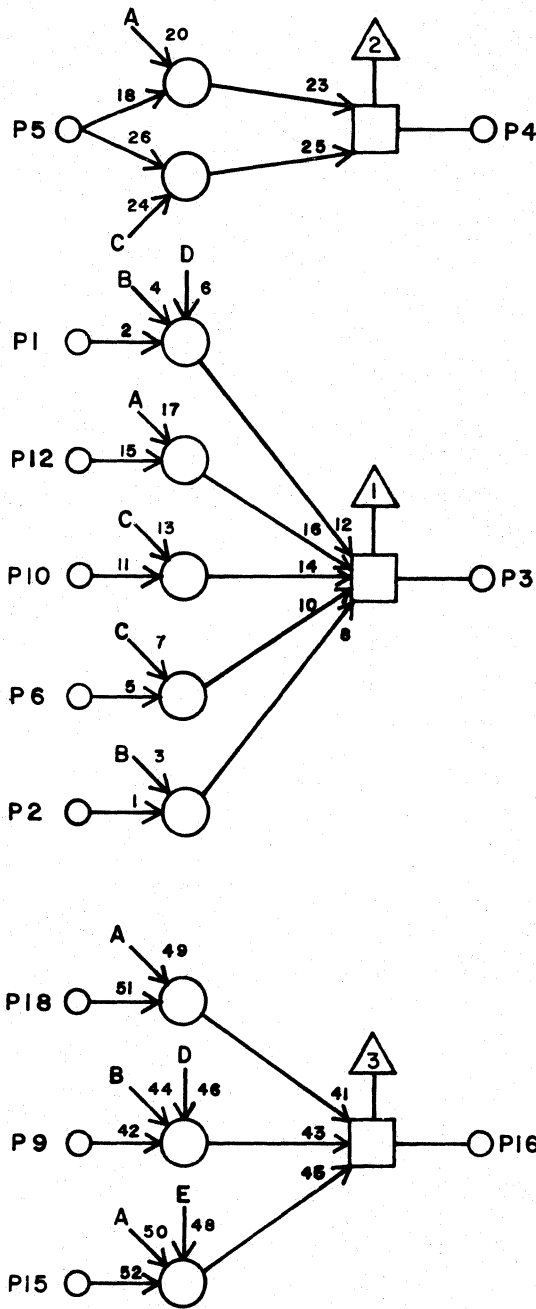
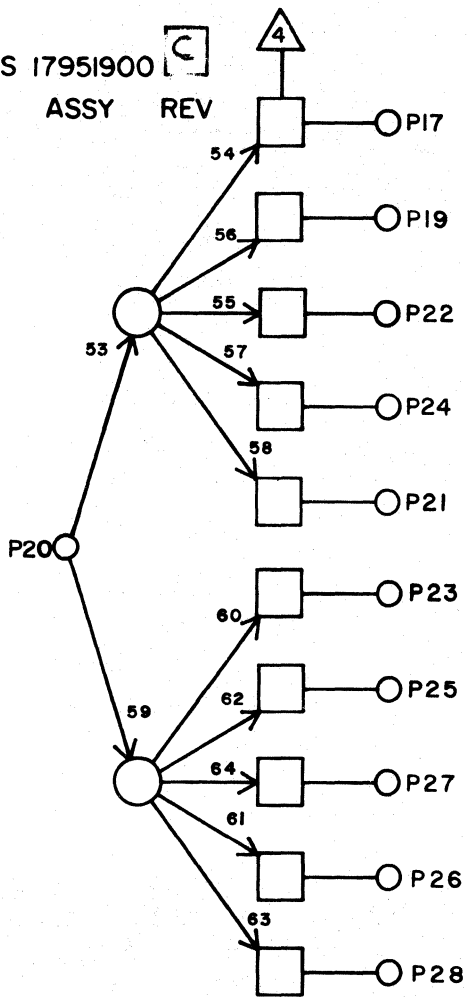
1			
2			
3			
4			
5			
6			
7			
8			
9			
10			
11			
12			
13			
14			
15			
16			
17			
18			
19			
20			
21			
22			
23			
24			
25			
26			
27			
28			

JACK PIN LG



1			
2			
3			
4			
5			
6			
7			
8			
9			
10			
11			
12			
13			
14			
15			
16			
17			
18			
19			
20			
21			
22			
23			
24			
25			
26			
27			
28			

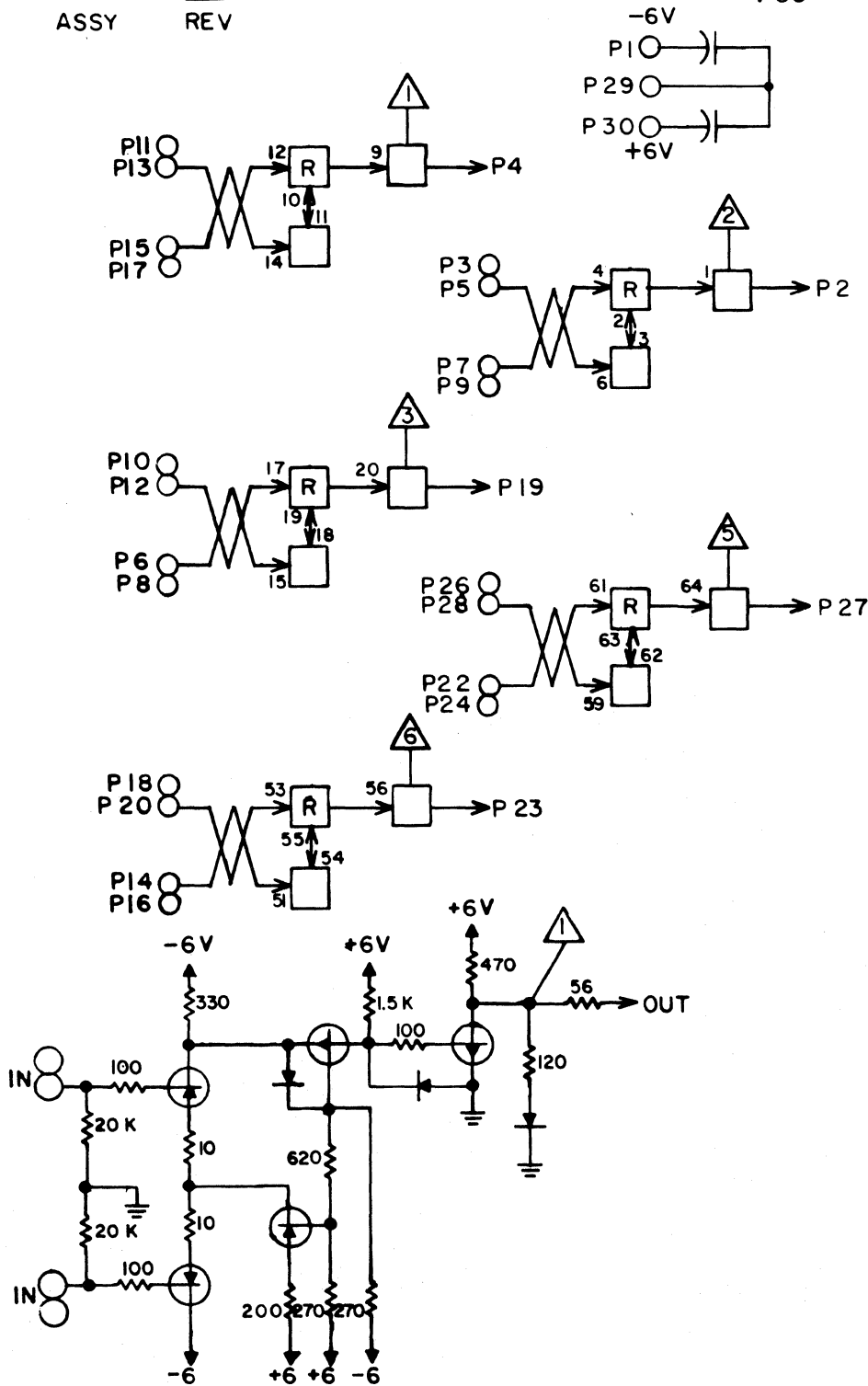
JACK PIN LG



1			
2			
3			
4			
5			
6			
7			
8			
9			
10			
11			
12			
13			
14			
15			
16			
17			
18			
19			
20			
21			
22			
23			
24			
25			
26			
27			
28			

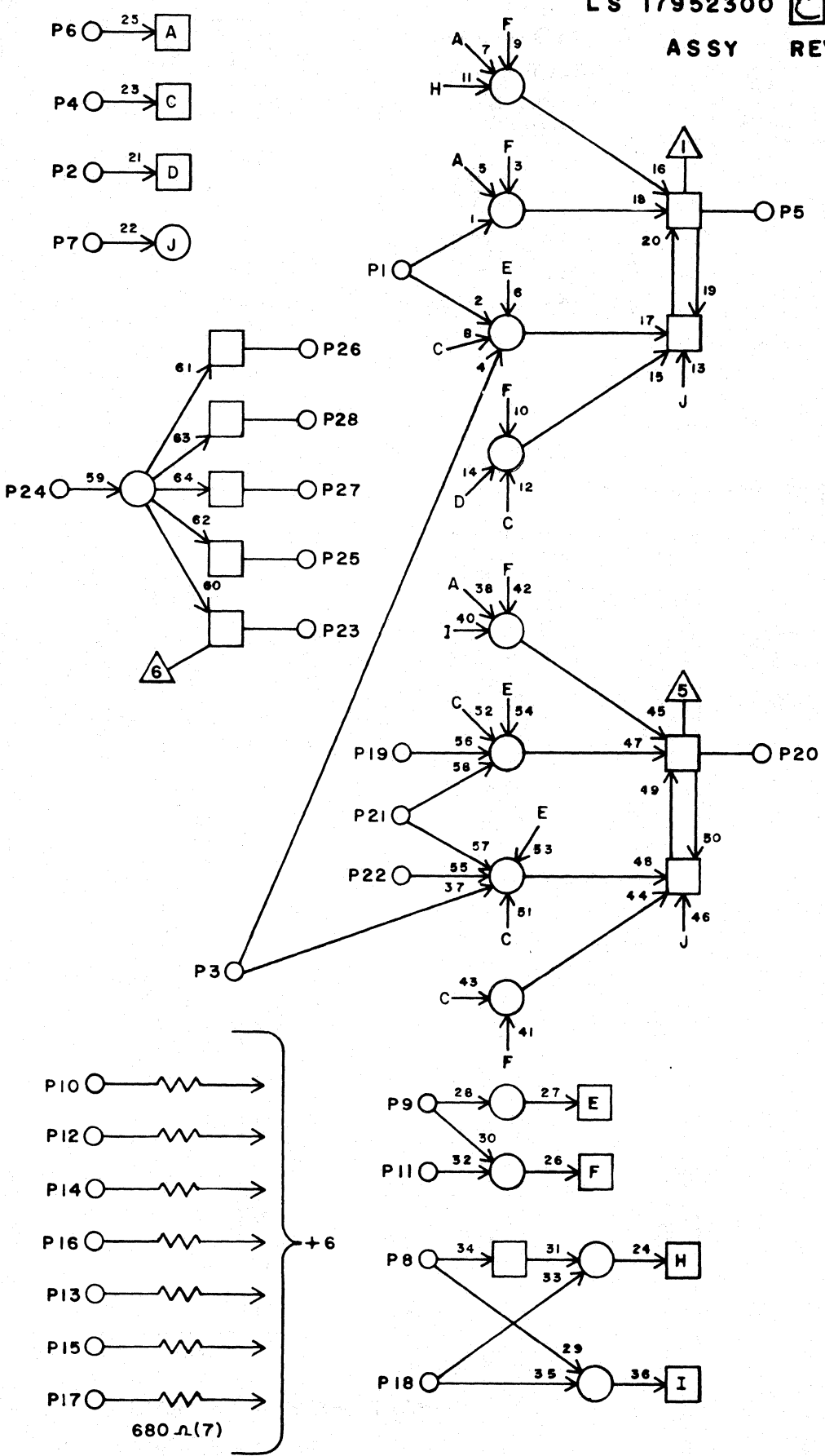
JACK PIN LG





1			
2			
3			
4			
5			
6			
7			
8			
9			
10			
11			
12			
13			
14			
15			
16			
17			
18			
19			
20			
21			
22			
23			
24			
25			
26			
27			
28			

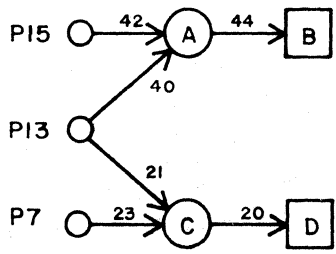
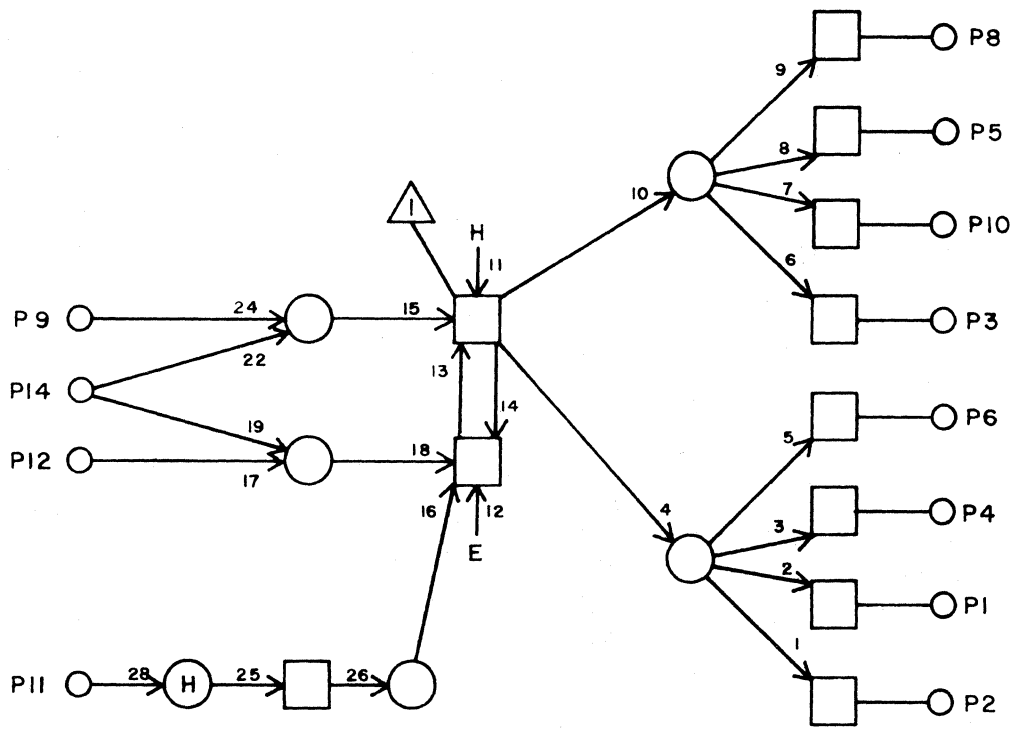
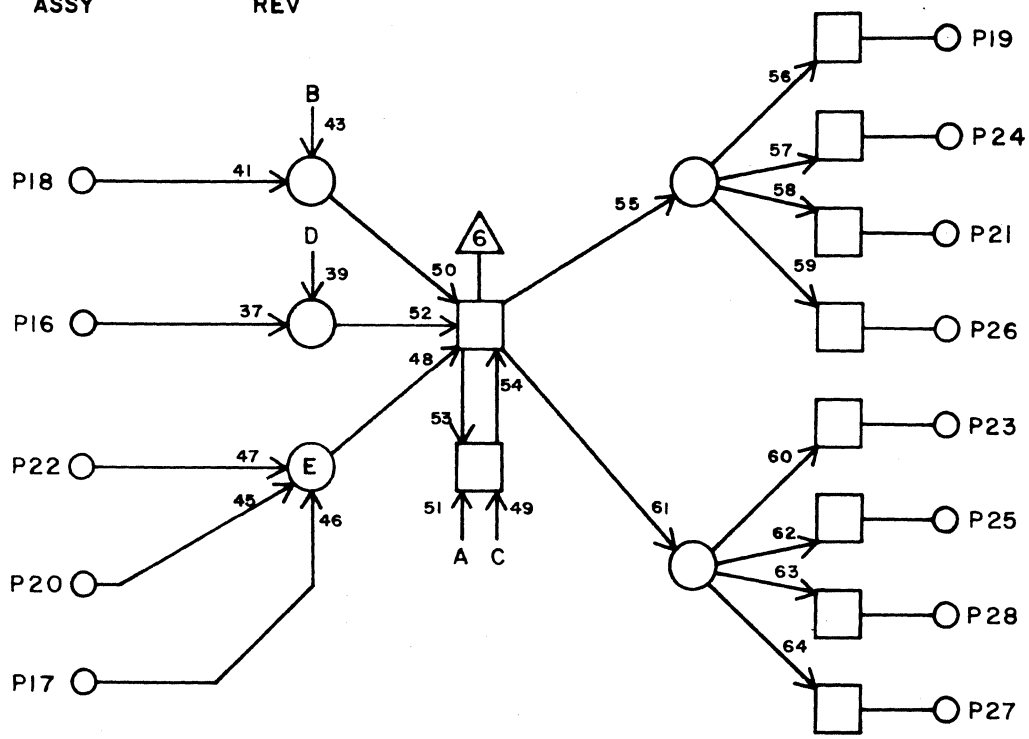
JACK PIN LG



1			
2			
3			
4			
5			
6			
7			
8			
9			
10			
11			
12			
13			
14			
15			
16			
17			
18			
19			
20			
21			
22			
23			
24			
25			
26			
27			
28			

JACK PIN LG

60042700 Rev. K



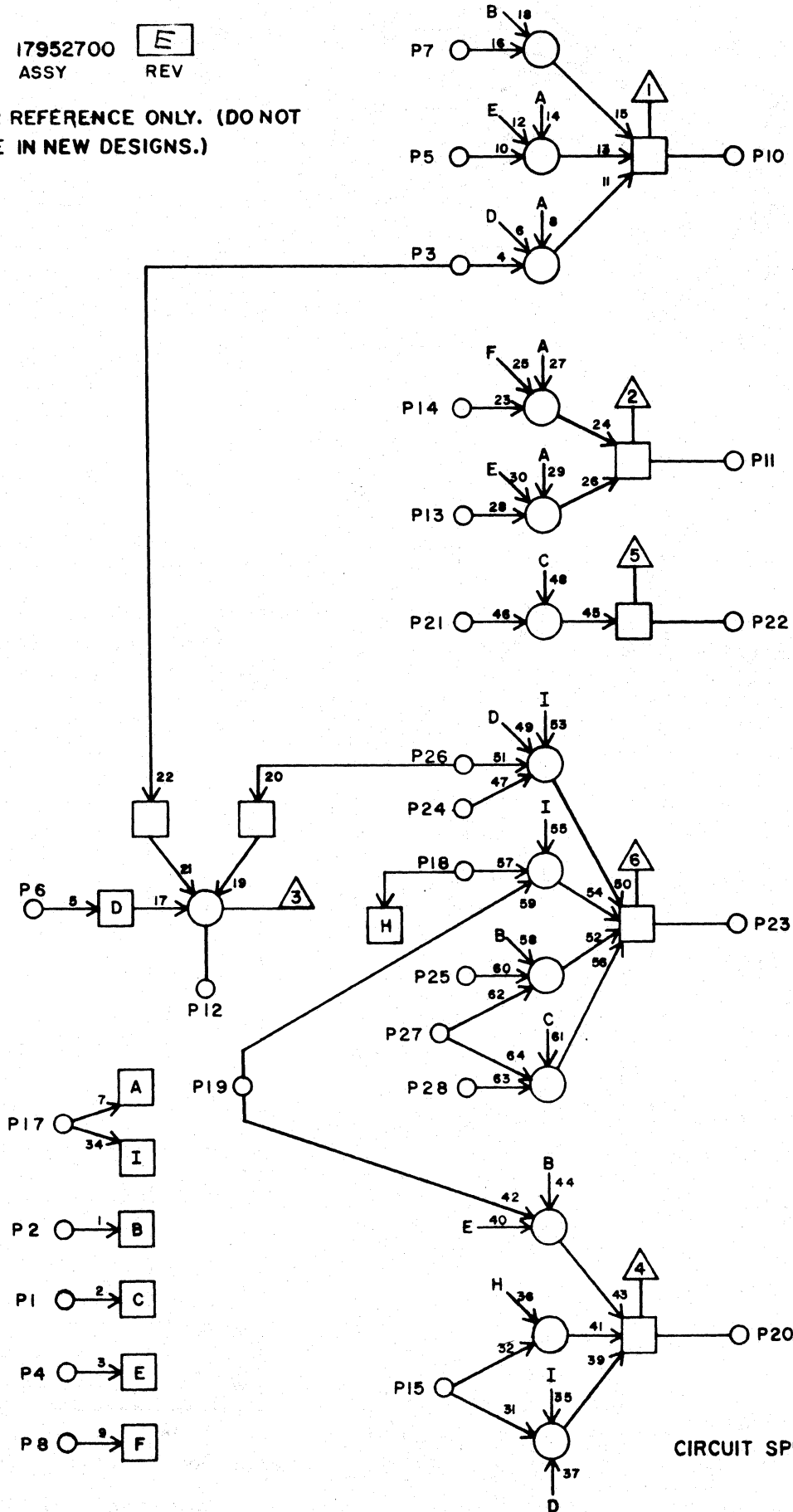
1			
2			
3			
4			
5			
6			
7			
8			
9			
10			
11			
12			
13			
14			
15			
16			
17			
18			
19			
20			
21			
22			
23			
24			
25			
26			
27			
28			

LS 17952700  
ASSY

**E**  
REV

FOR REFERENCE ONLY. (DO NOT  
USE IN NEW DESIGNS.)

V39

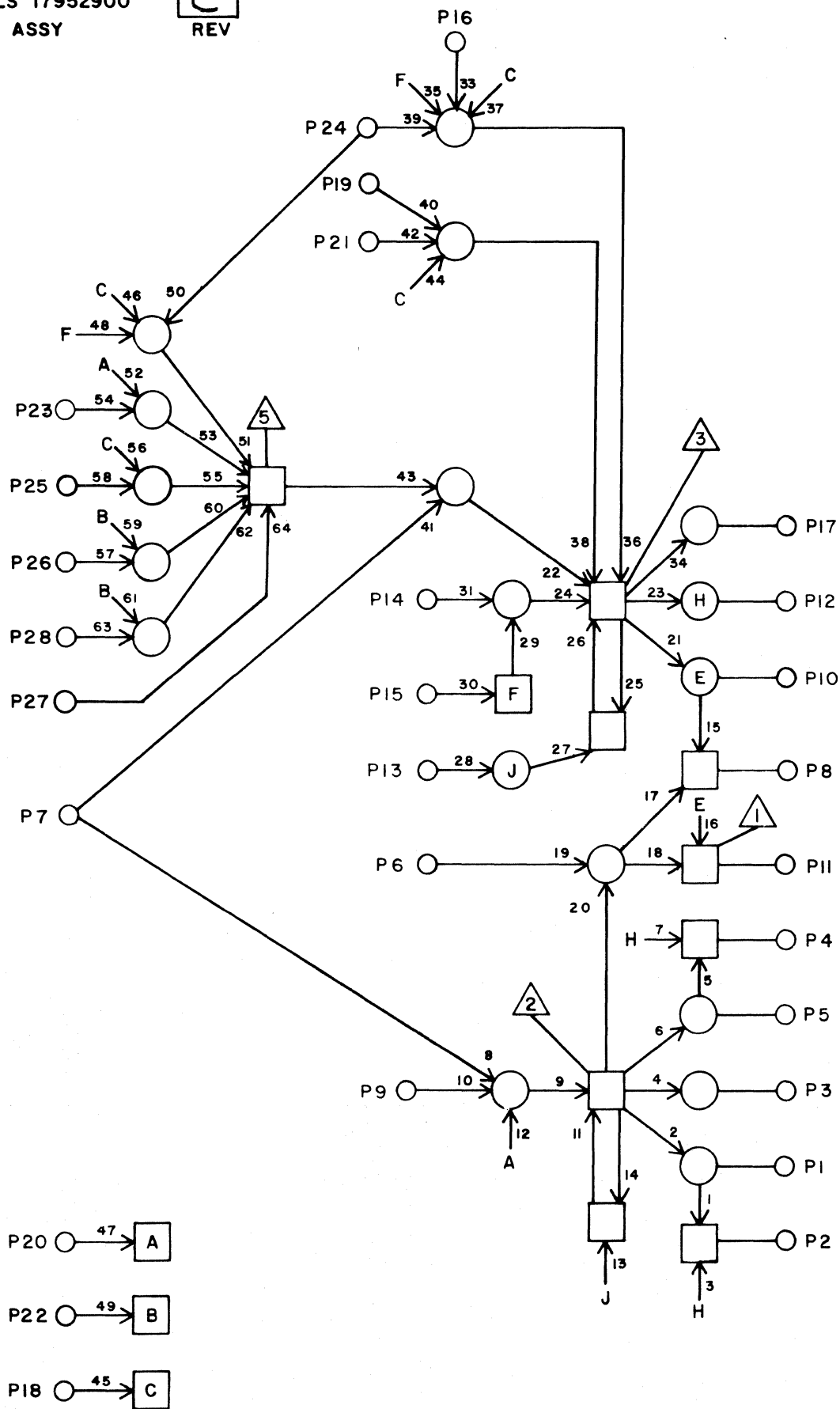


1			
2			
3			
4			
5			
6			
7			
8			
9			
10			
11			
12			
13			
14			
15			
16			
17			
18			
19			
20			
21			
22			
23			
24			
25			
26			
27			
28			

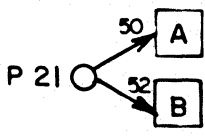
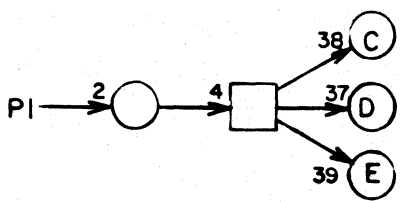
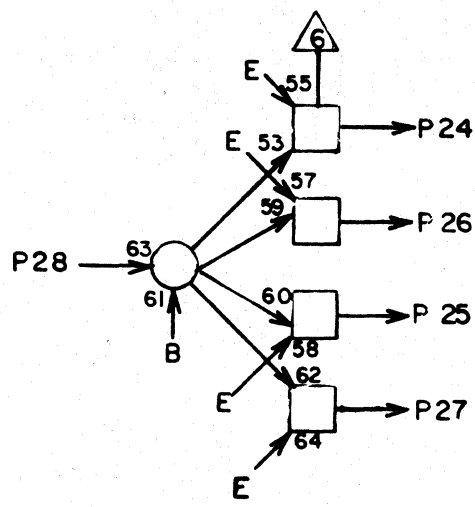
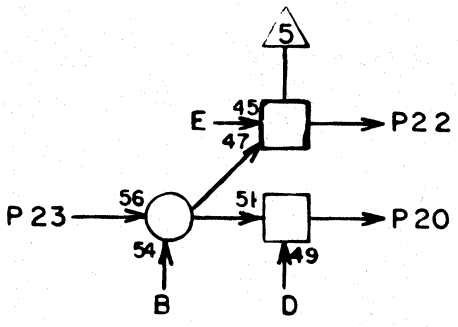
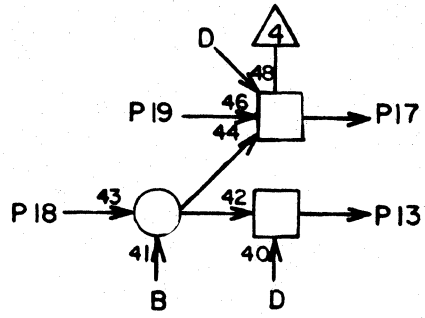
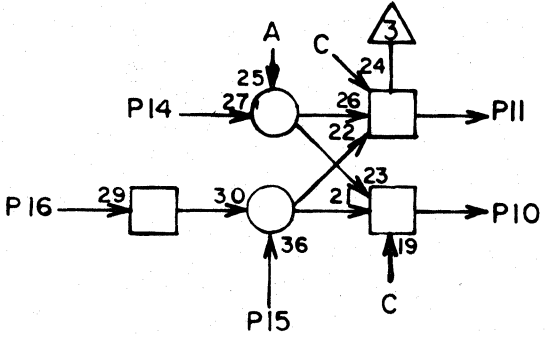
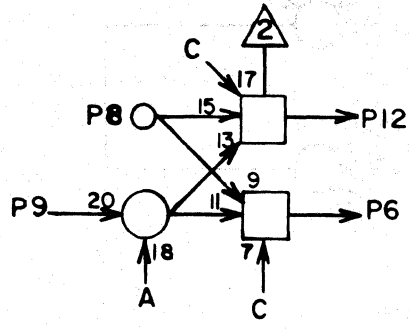
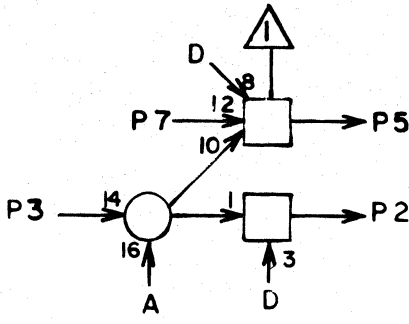
JACK PIN LG

CIRCUIT SPECIFICATION 11827600

60042700 Rev. S



1			
2			
3			
4			
5			
6			
7			
8			
9			
10			
11			
12			
13			
14			
15			
16			
17			
18			
19			
20			
21			
22			
23			
24			
25			
26			
27			
28			



1			
2			
3			
4			
5			
6			
7			
8			
9			
10			
11			
12			
13			
14			
15			
16			
17			
18			
19			
20			
21			
22			
23			
24			
25			
26			
27			
28			

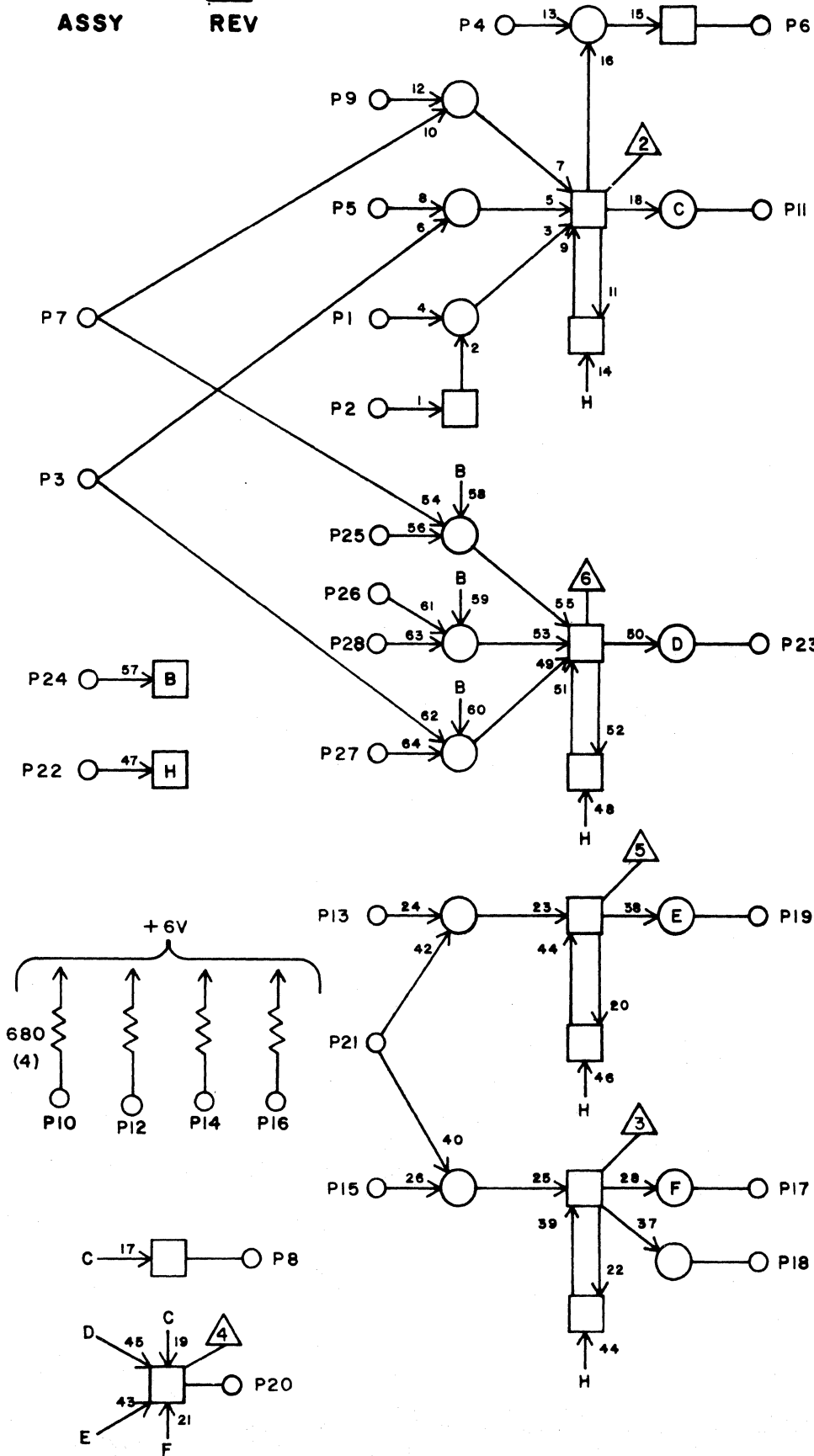
LS 17953300

**B**

ASSY

REV

V42

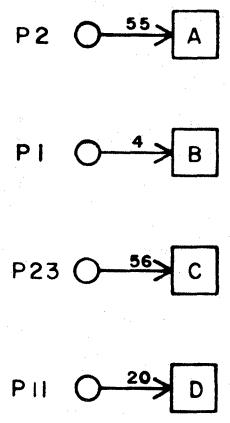
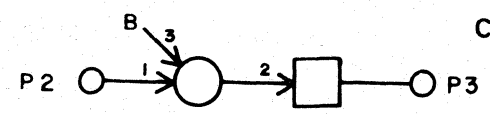
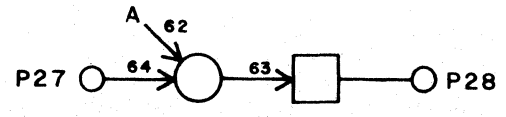
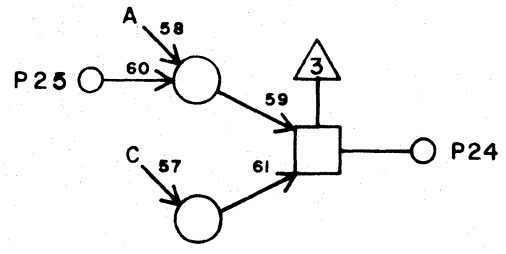
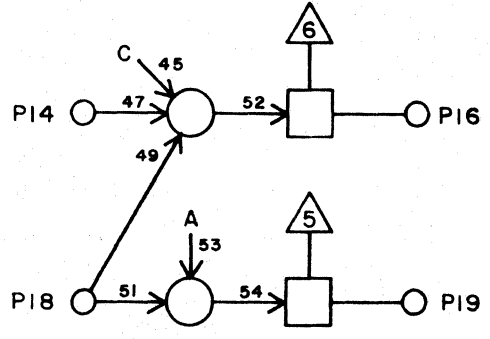
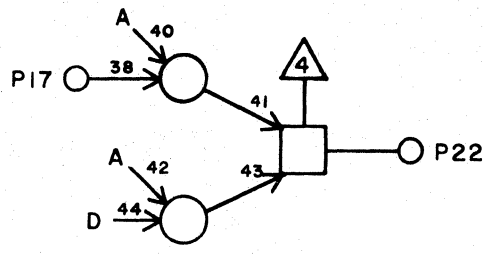
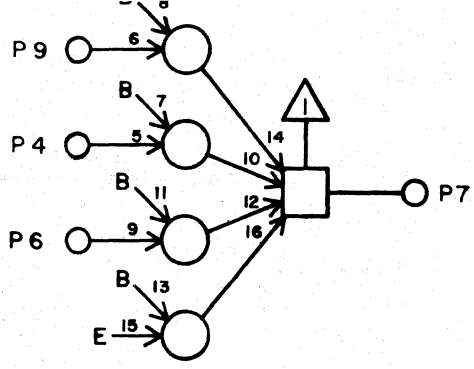
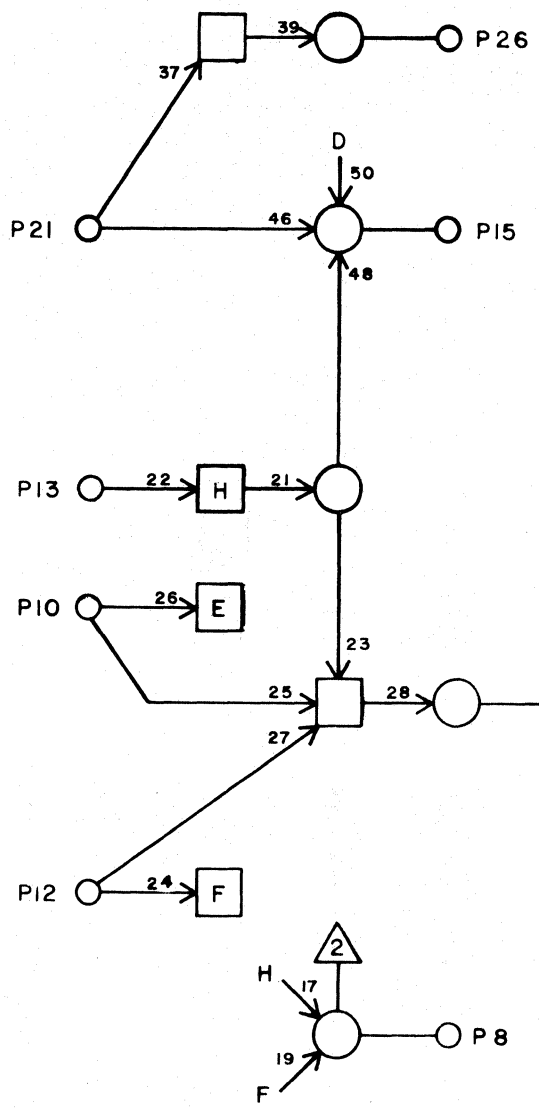


1			
2			
3			
4			
5			
6			
7			
8			
9			
10			
11			
12			
13			
14			
15			
16			
17			
18			
19			
20			
21			
22			
23			
24			
25			
26			
27			
28			

JACK PIN LG

60042700 Rev. K

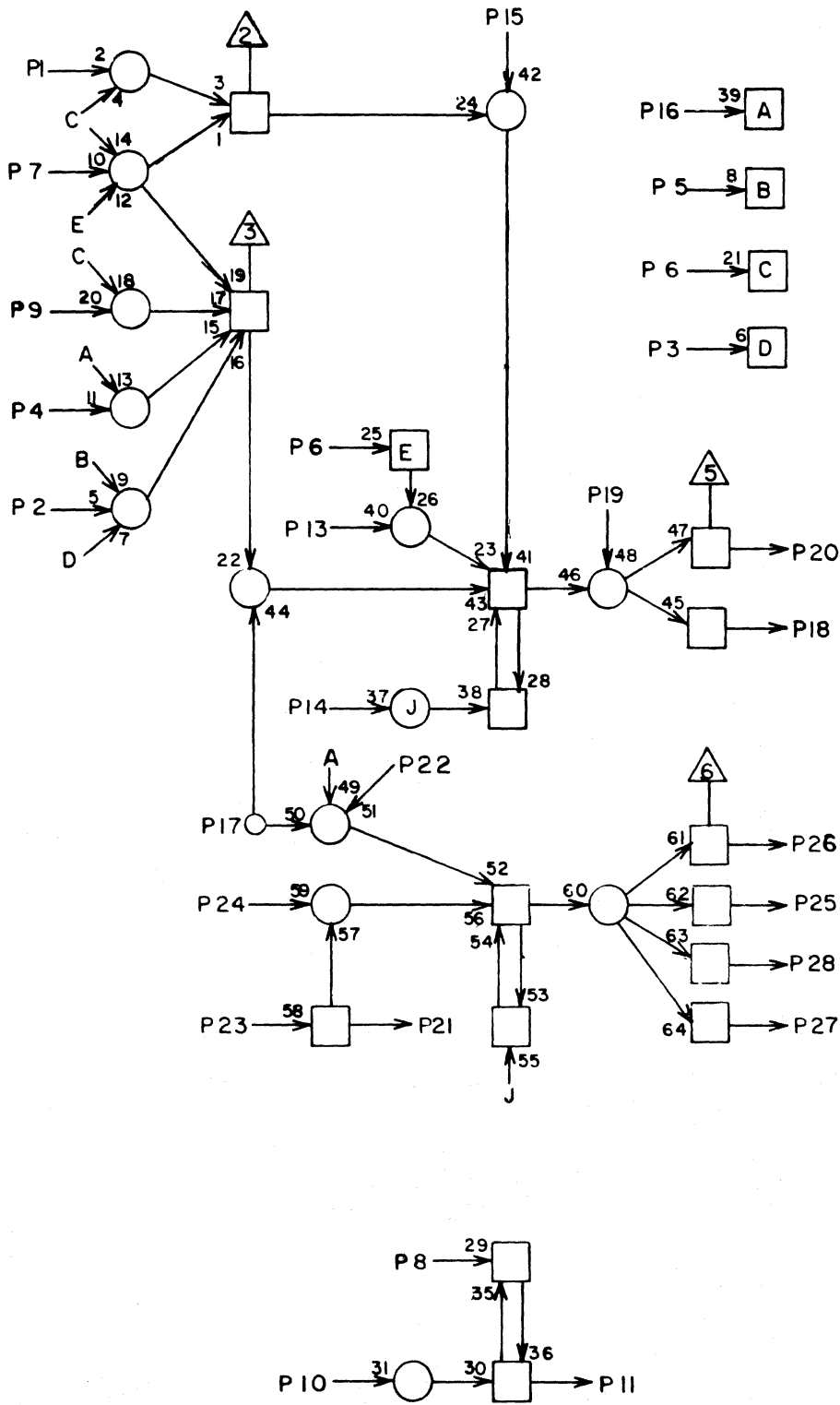
CIRCUIT SPECIFICATION 11827600



1			
2			
3			
4			
5			
6			
7			
8			
9			
10			
11			
12			
13			
14			
15			
16			
17			
18			
19			
20			
21			
22			
23			
24			
25			
26			
27			
28			

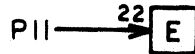
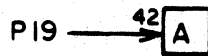
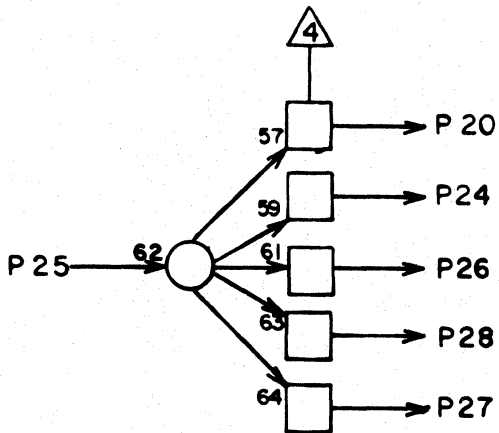
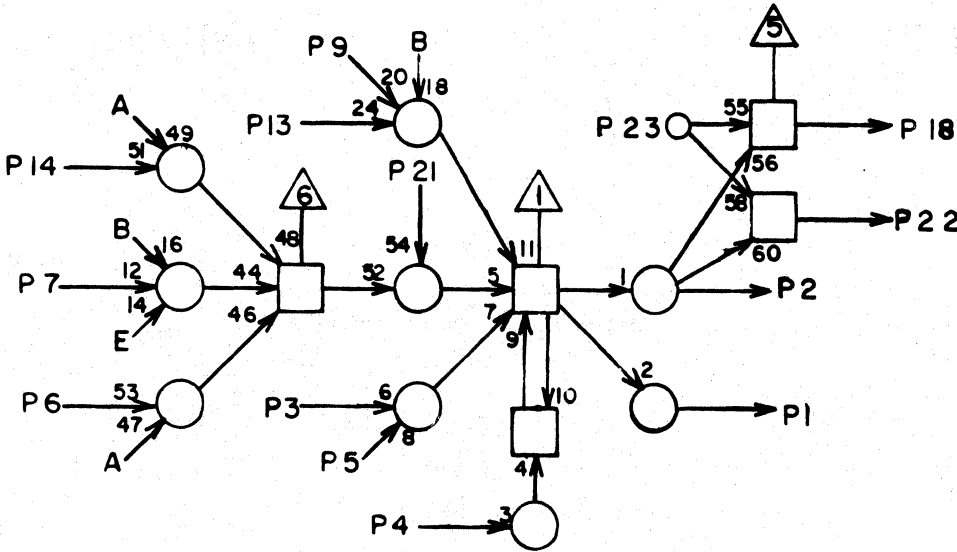
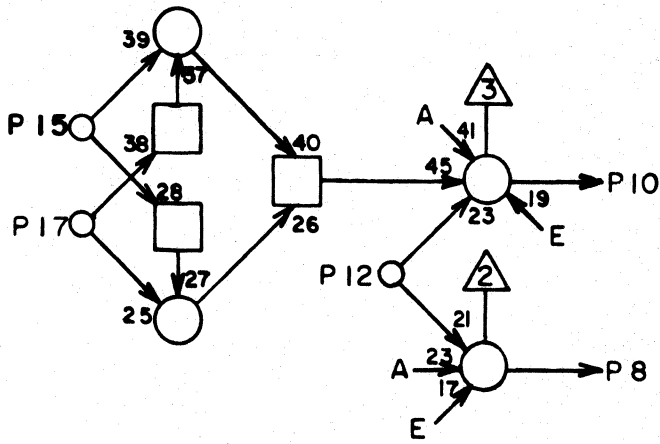
JACK PIN LG





1			
2			
3			
4			
5			
6			
7			
8			
9			
10			
11			
12			
13			
14			
15			
16			
17			
18			
19			
20			
21			
22			
23			
24			
25			
26			
27			
28			

JACK PIN LG  
 60042700 Rev. K

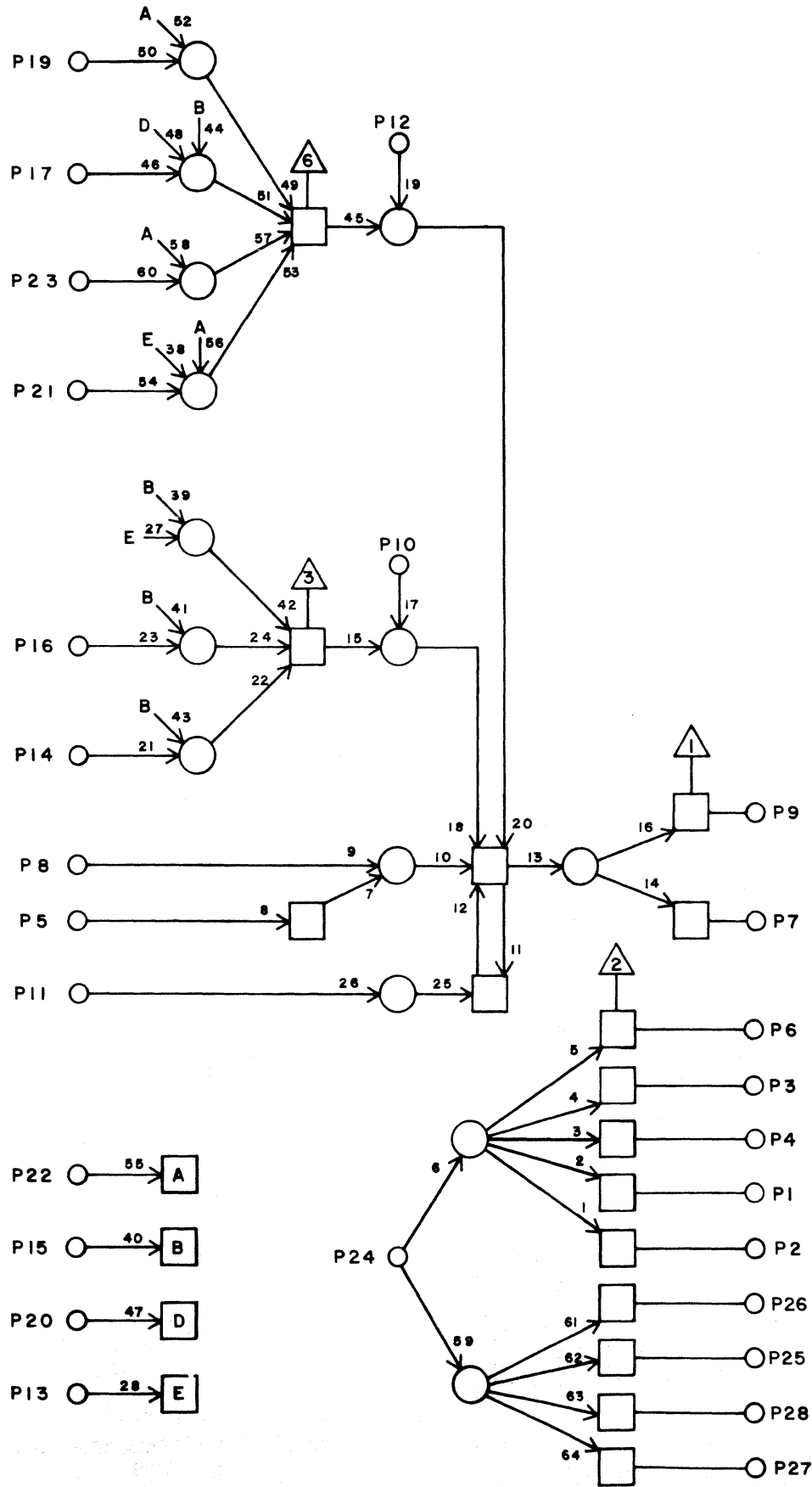


1			
2			
3			
4			
5			
6			
7			
8			
9			
10			
11			
12			
13			
14			
15			
16			
17			
18			
19			
20			
21			
22			
23			
24			
25			
26			
27			
28			

JACK PIN LG

LS 17954100 **B**  
 ASSY REV

V46



1			
2			
3			
4			
5			
6			
7			
8			
9			
10			
11			
12			
13			
14			
15			
16			
17			
18			
19			
20			
21			
22			
23			
24			
25			
26			
27			
28			

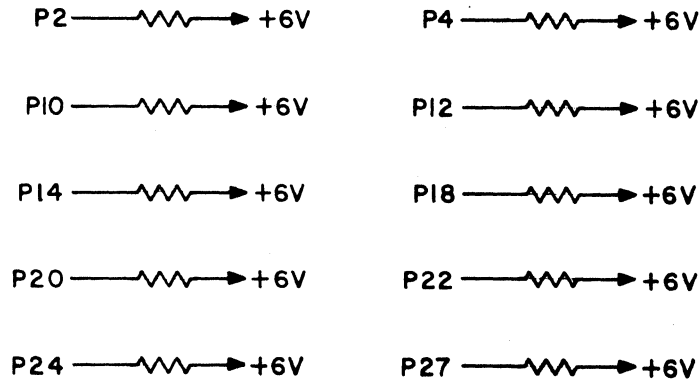
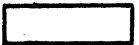
JACK PIN LG  
 CIRCUIT SPECIFICATION  
 11827600  
 60042700 Rev. K



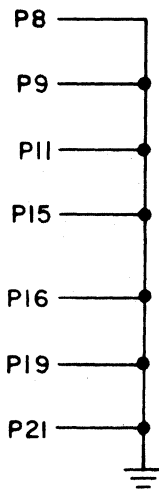
LS 17954500  
ASSY

**B**  
REV

V48



ALL RESISTORS ARE 680 $\Omega$

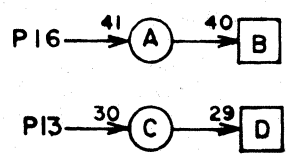
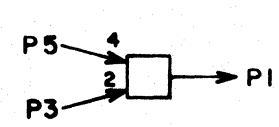
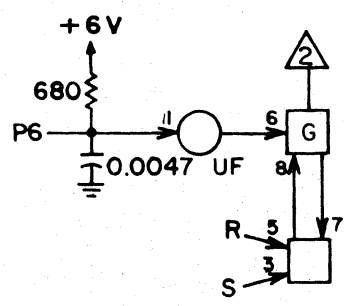
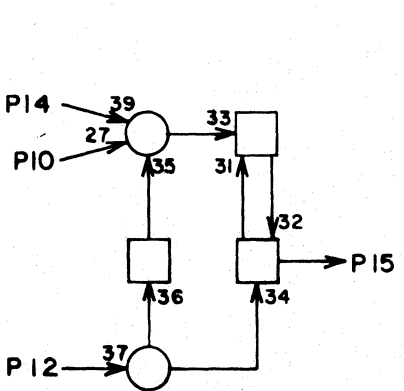
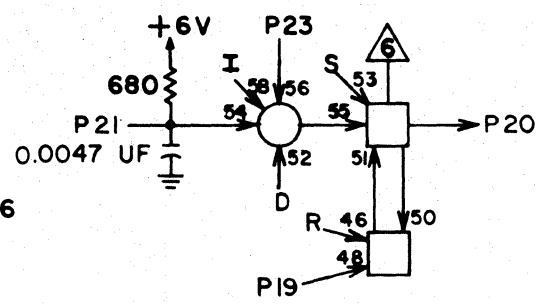
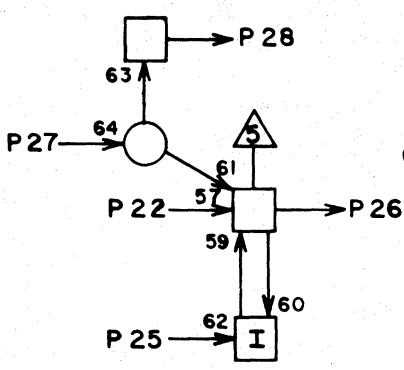
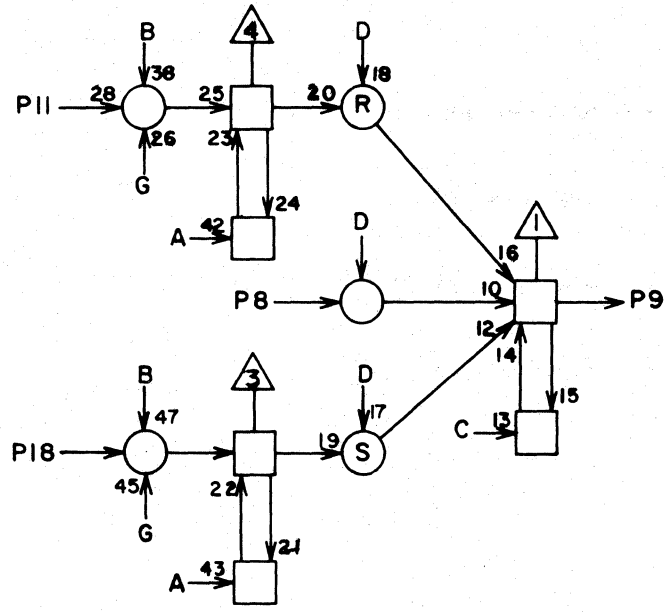


1			
2			
3			
4			
5			
6			
7			
8			
9			
10			
11			
12			
13			
14			
15			
16			
17			
18			
19			
20			
21			
22			
23			
24			
25			
26			
27			
28			

JACK    PIN    LG  
CIRCUIT SPECIFICATION 11827600  
60042700 Rev. K

1		
2		
3		
4		
5		
6		
7		
8		
9		
10		
11		
12		
13		
14		
15		
16		
17		
18		
19		
20		
21		
22		
23		
24		
25		
26		
27		
28		

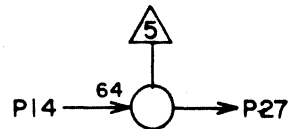
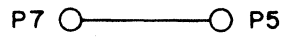
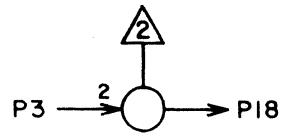
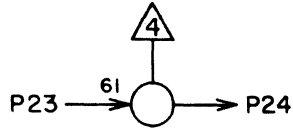
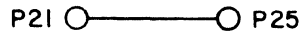
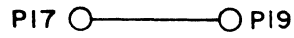
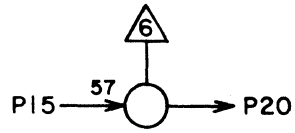
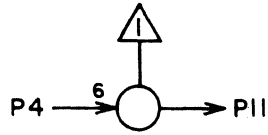
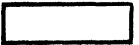
JACK PIN LG  
 60042700 Rev. S



LS 17954700  
ASSY

**B**  
REV

V50



1			
2			
3			
4			
5			
6			
7			
8			
9			
10			
11			
12			
13			
14			
15			
16			
17			
18			
19			
20			
21			
22			
23			
24			
25			
26			
27			
28			

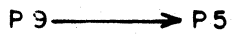
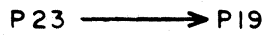
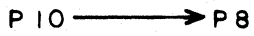
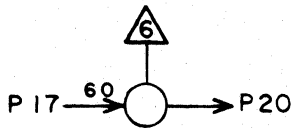
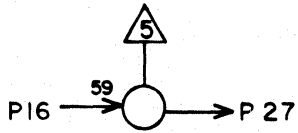
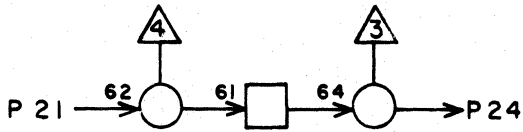
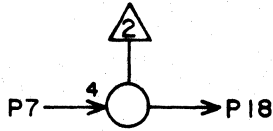
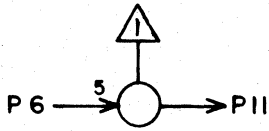
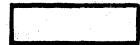
JACK PIN LG  
CIRCUIT SPECIFICATION 11827600

60042700 Rev. K

LS 17954900 B

ASSY REV

V 51



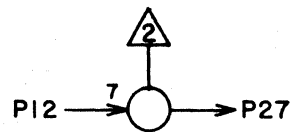
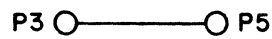
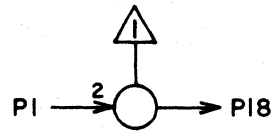
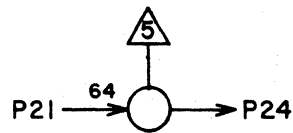
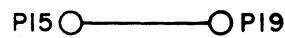
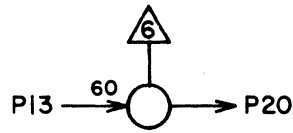
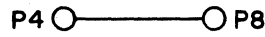
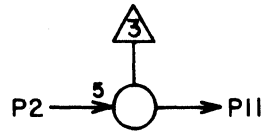
1			
2			
3			
4			
5			
6			
7			
8			
9			
10			
11			
12			
13			
14			
15			
16			
17			
18			
19			
20			
21			
22			
23			
24			
25			
26			
27			
28			

JACK PIN LG

60042700 Rev. K

CIRCUIT SPECIFICATION 11827600





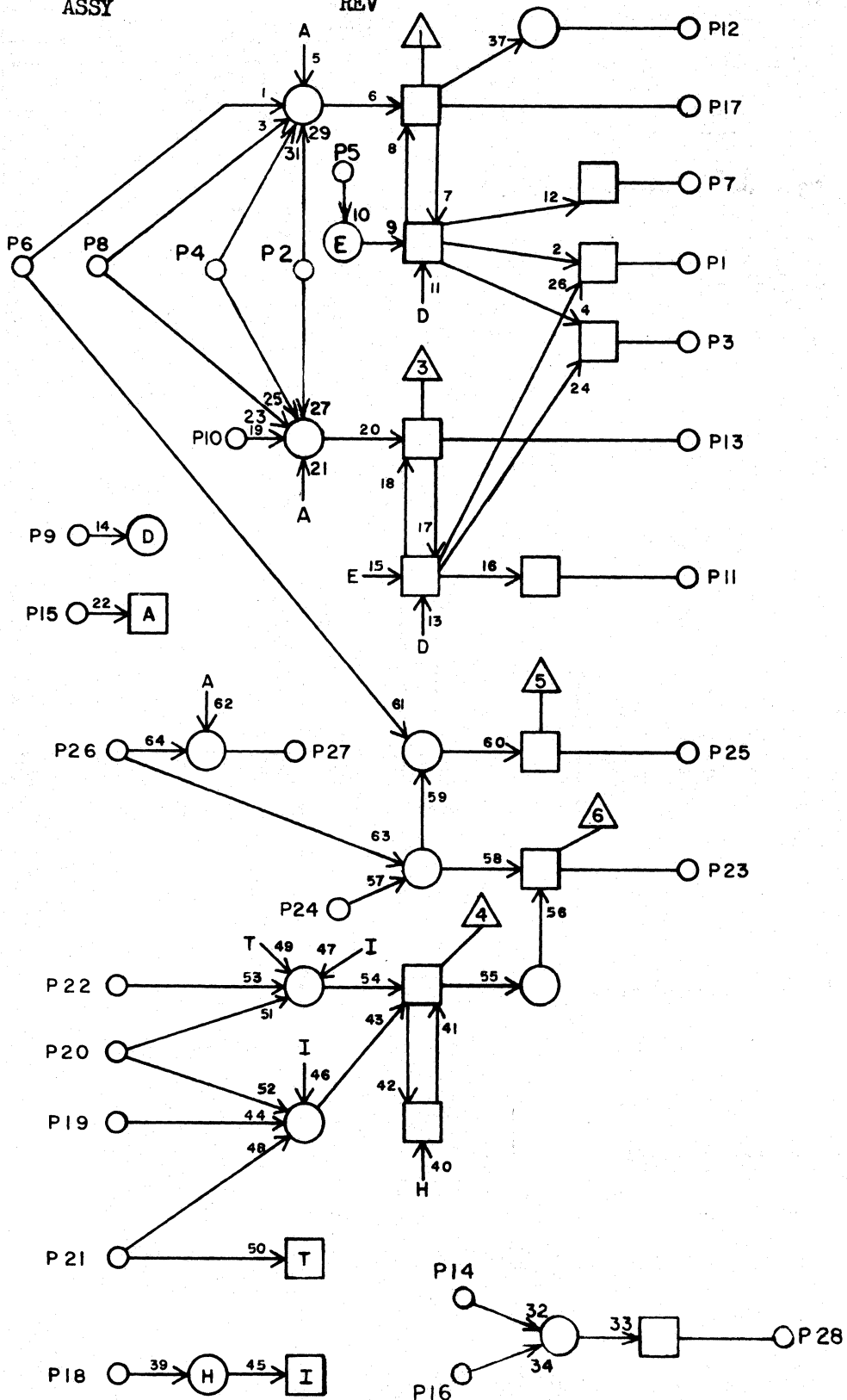
1			
2			
3			
4			
5			
6			
7			
8			
9			
10			
11			
12			
13			
14			
15			
16			
17			
18			
19			
20			
21			
22			
23			
24			
25			
26			
27			
28			

JACK PIN LG  
CIRCUIT SPECIFICATION 11827600

LS 17955300  
ASSY

**B**  
REV

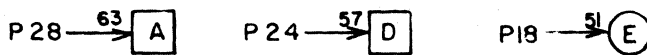
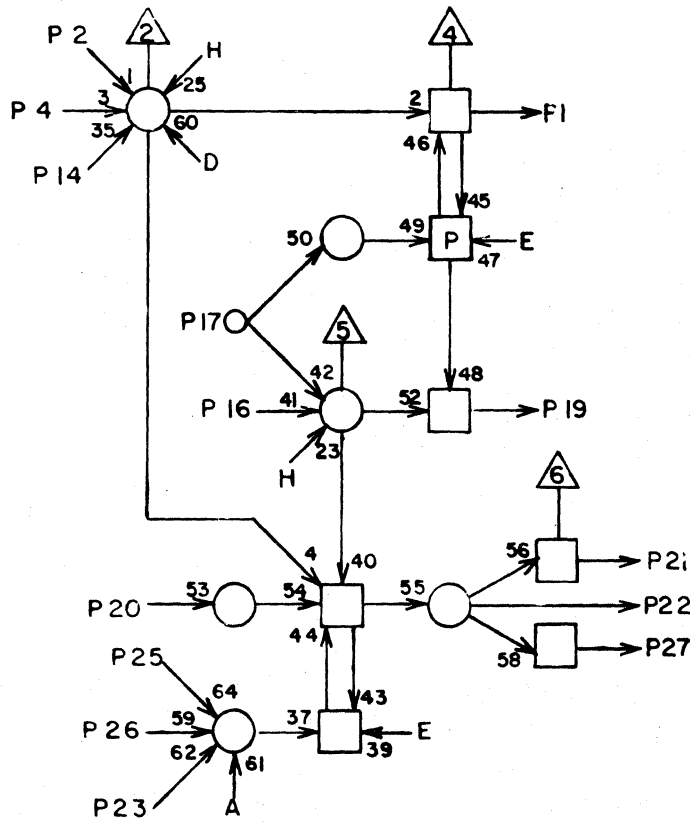
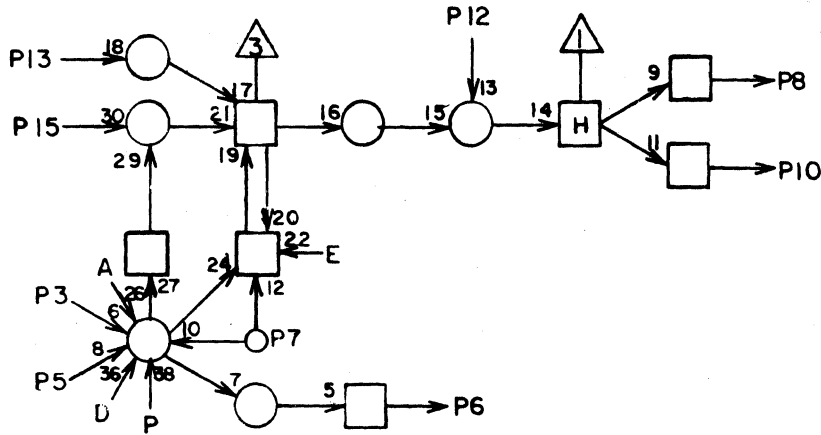
V53



1			
2			
3			
4			
5			
6			
7			
8			
9			
10			
11			
12			
13			
14			
15			
16			
17			
18			
19			
20			
21			
22			
23			
24			
26			
27			
28			

60042700 Rev AB  
CIRCUIT SPECIFICATION 11827600

JACK PIN LG

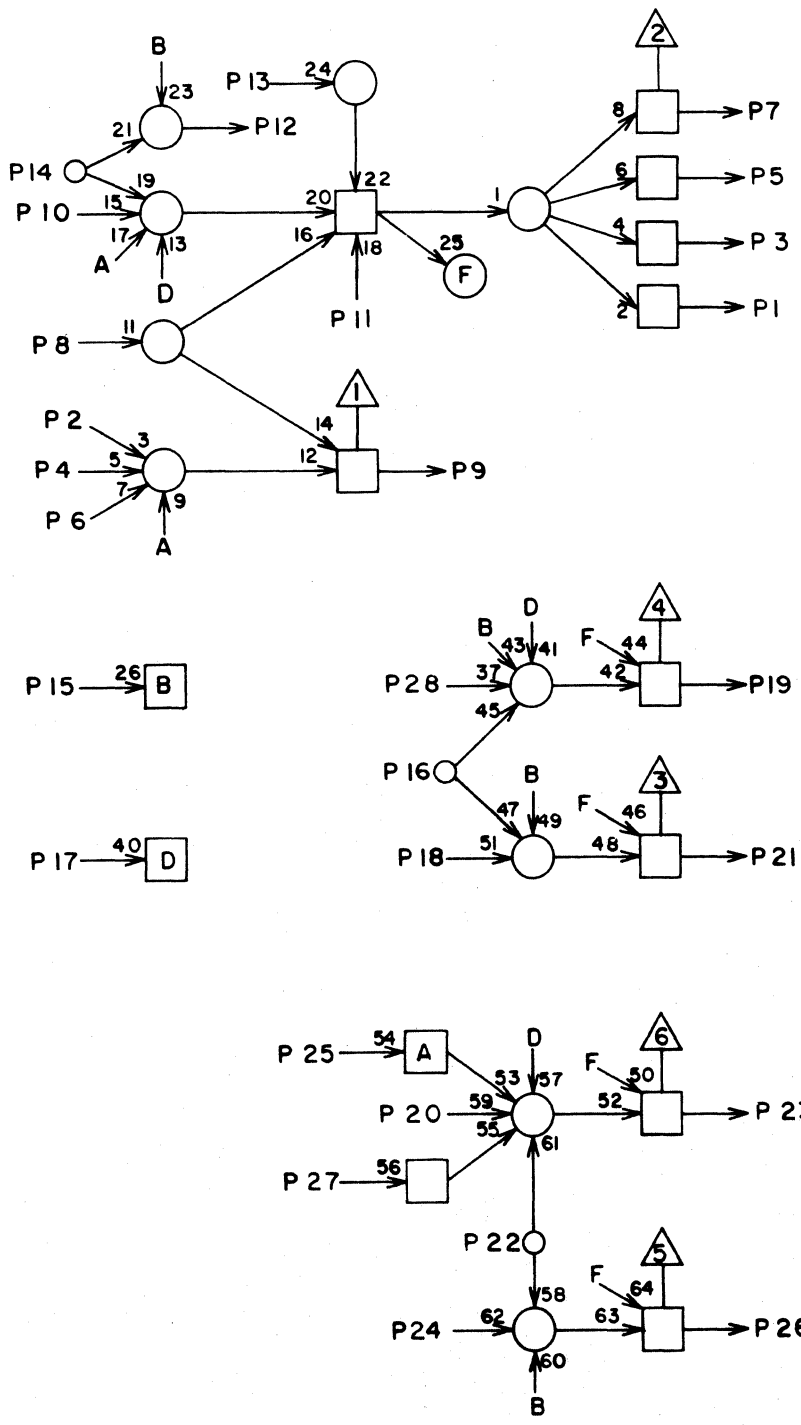


1			
2			
3			
4			
5			
6			
7			
8			
9			
10			
11			
12			
13			
14			
15			
16			
17			
18			
19			
20			
21			
22			
23			
24			
25			
26			
27			
28			

JACK PIN LG  
 60042700 Rev. K



ASSY REV



1			
2			
3			
4			
5			
6			
7			
8			
9			
10			
11			
12			
13			
14			
15			
16			
17			
18			
19			
20			
21			
22			
23			
24			
25			
26			
27			
28			

JACK PIN LG

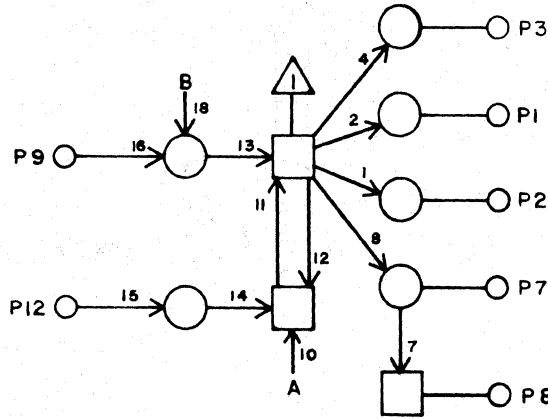
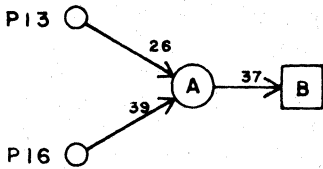
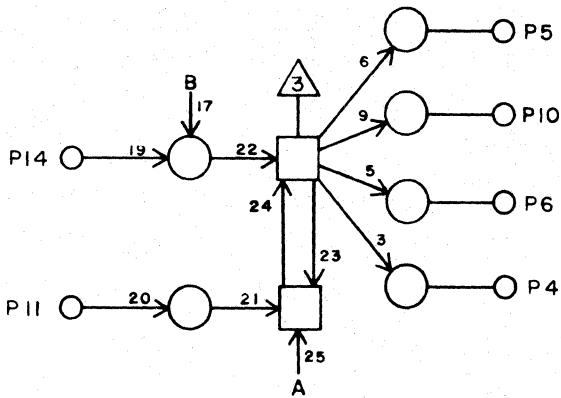
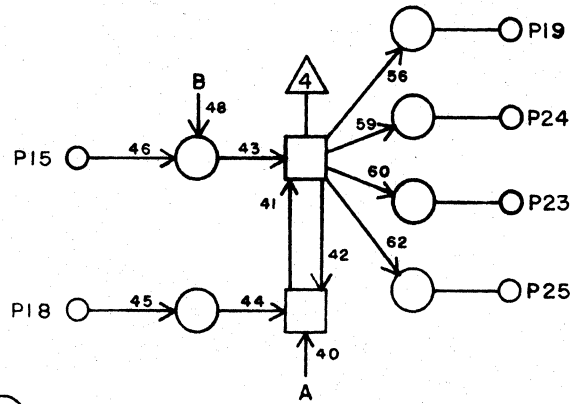
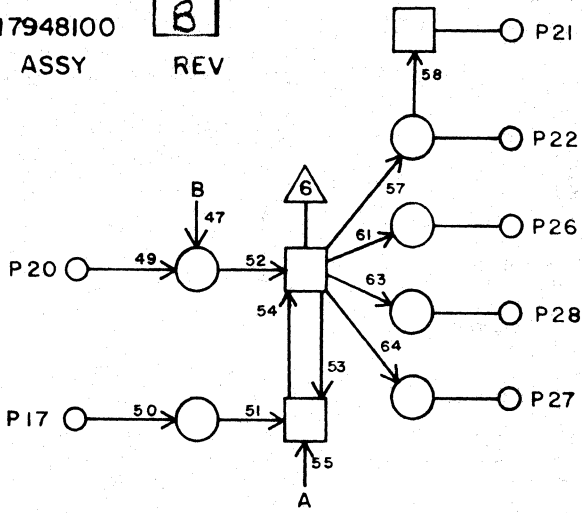
CIRCUIT SPECIFICATION 11827600

LS 17948100  
ASSY

**3**  
REV

V57

[ ]

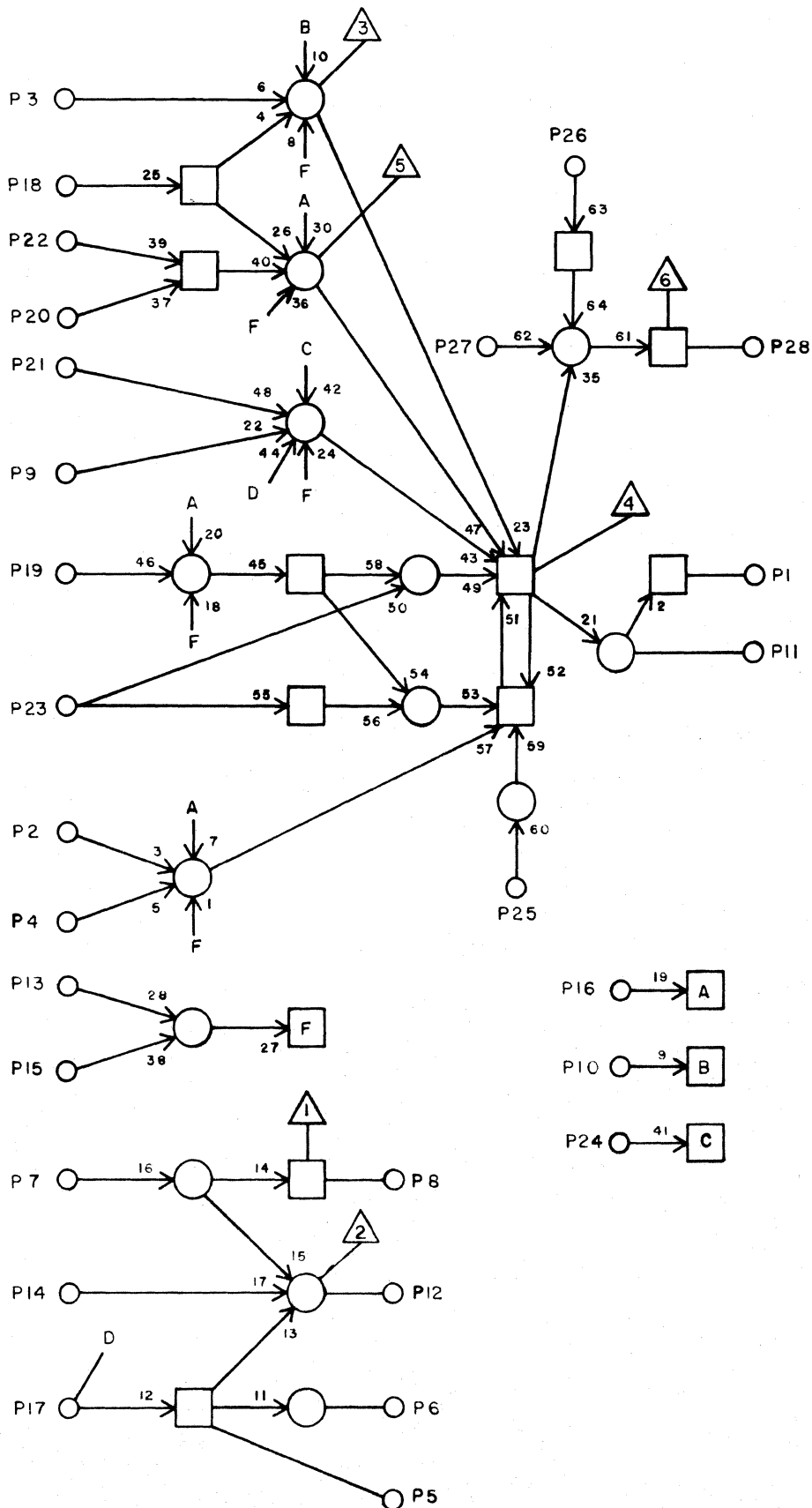


1			
2			
3			
4			
5			
6			
7			
8			
9			
10			
11			
12			
13			
14			
15			
16			
17			
18			
19			
20			
21			
22			
23			
24			
25			
26			
27			
28			

JACK PIN LG

CIRCUIT SPECIFICATION 11827600

60042700 Rev. K

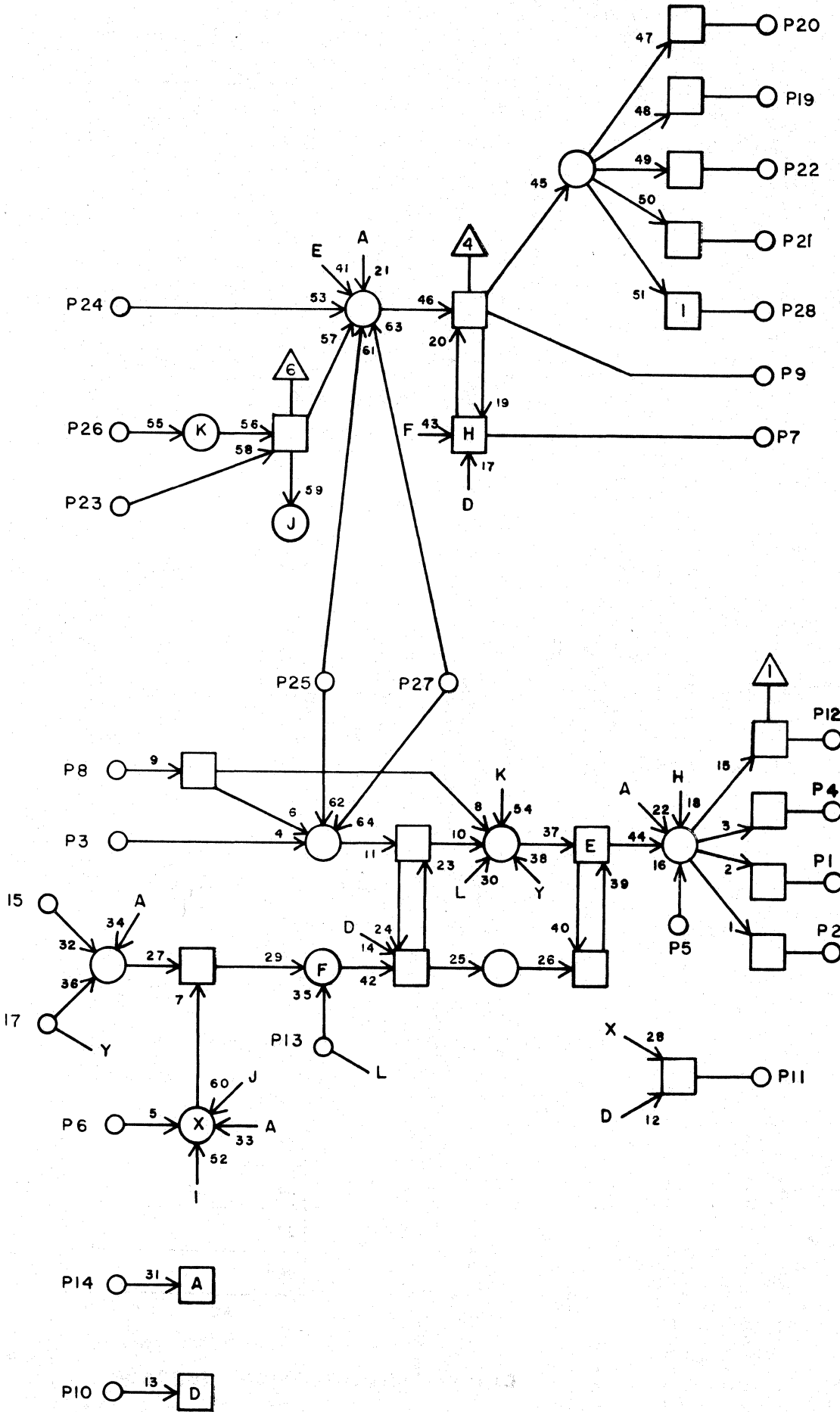


1		
2		
3		
4		
5		
6		
7		
8		
9		
10		
11		
12		
13		
14		
15		
16		
17		
18		
19		
20		
21		
22		
23		
24		
25		
26		
27		
28		

JACK PIN LG

60042700 Rev. K

**CIRCUIT SPECIFICATION 11827600**

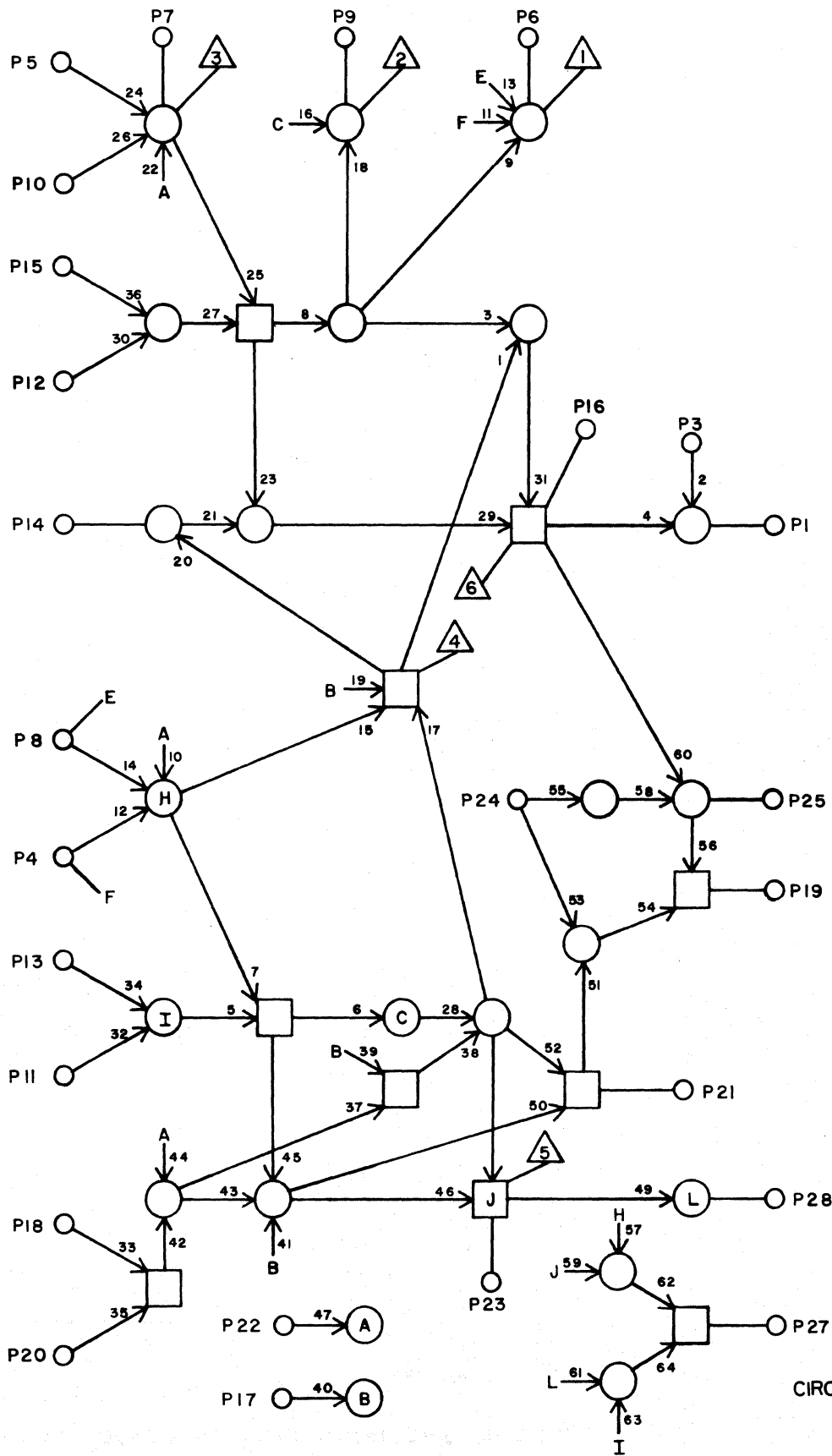
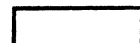


1			
2			
3			
4			
5			
6			
7			
8			
9			
10			
11			
12			
13			
14			
15			
16			
17			
18			
19			
20			
21			
22			
23			
24			
25			
26			
27			
28			

JACK PIN LG

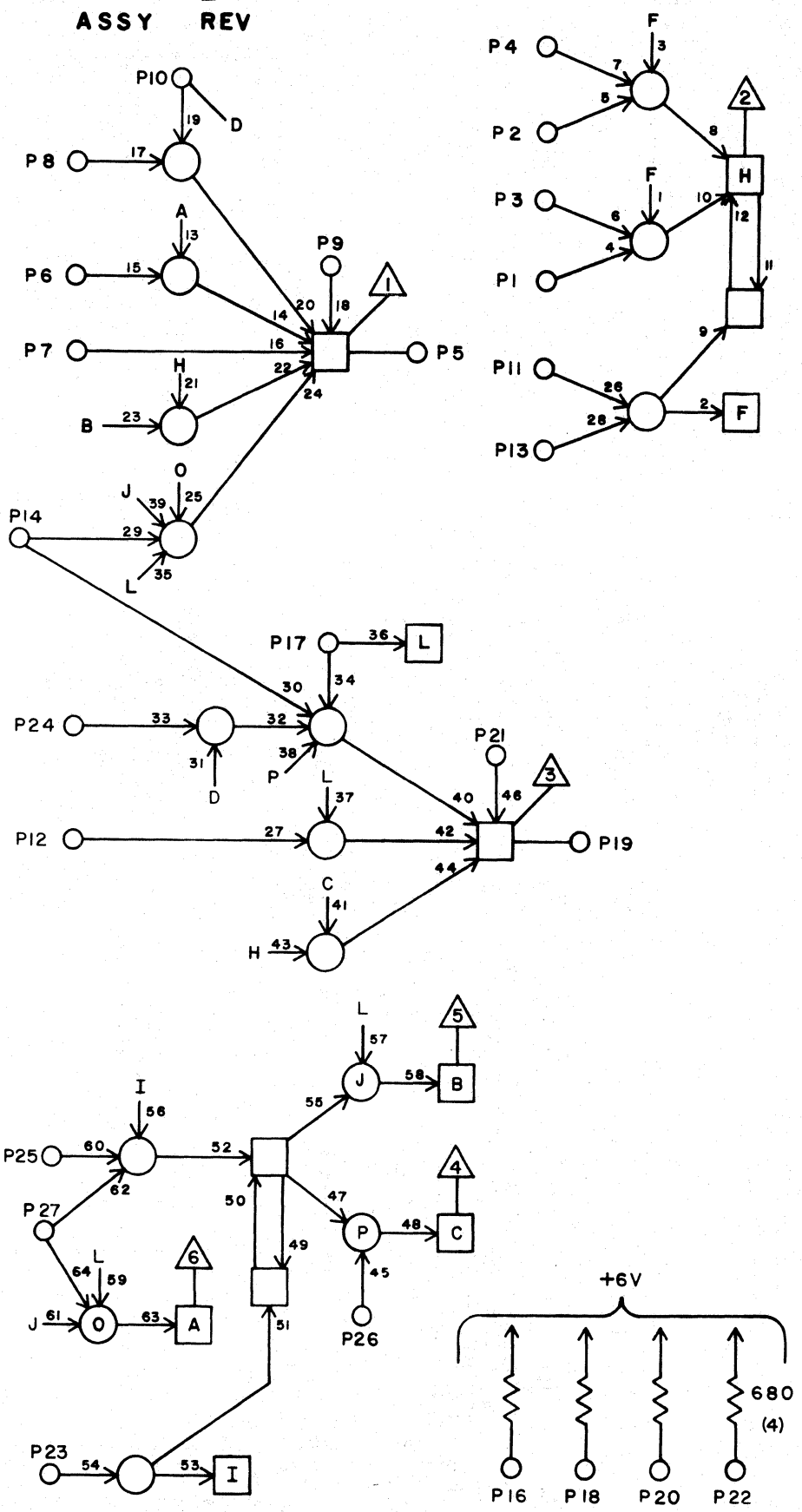
60042700 Rev. P





1			
2			
3			
4			
5			
6			
7			
8			
9			
10			
11			
12			
13			
14			
15			
16			
17			
18			
19			
20			
21			
22			
23			
24			
25			
26			
27			
28			

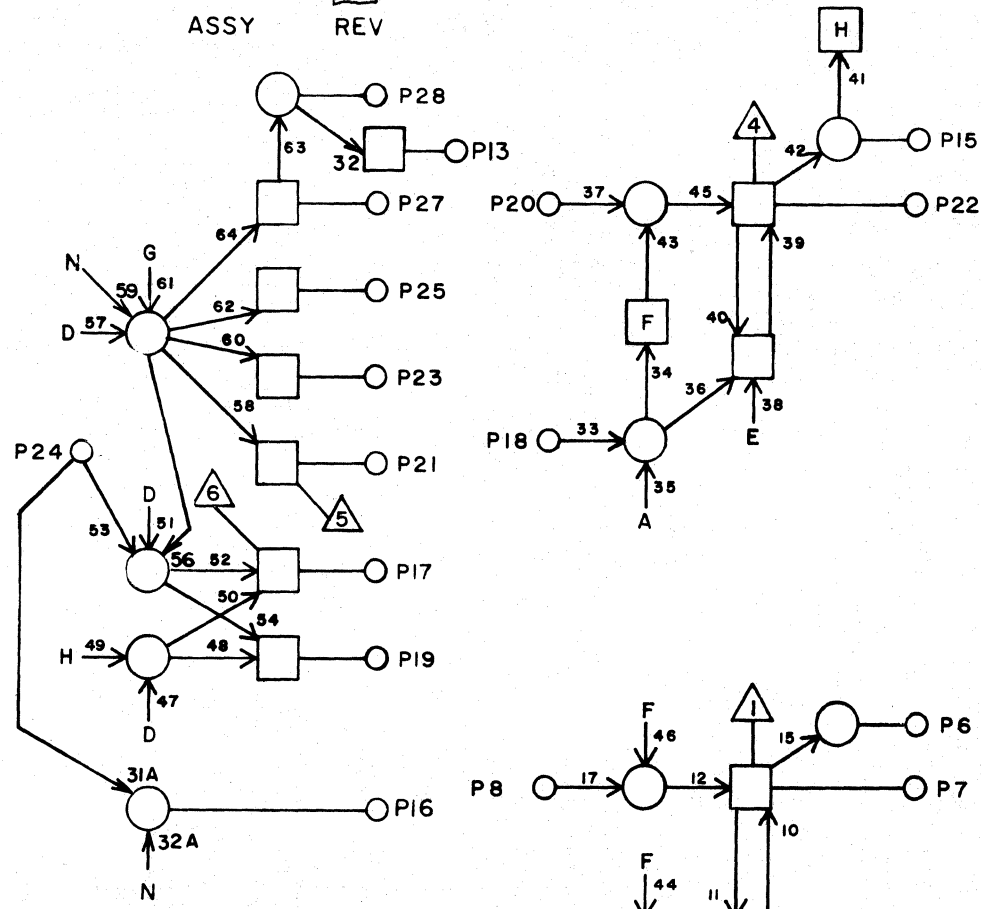
JACK PIN LG



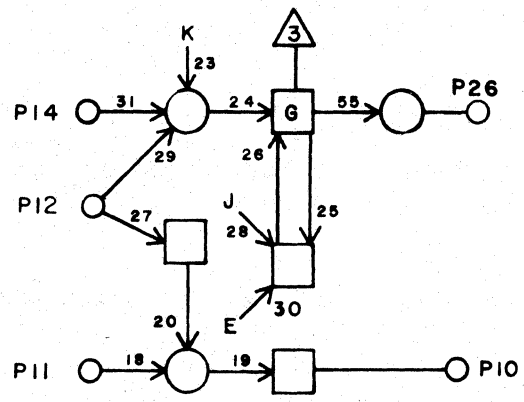
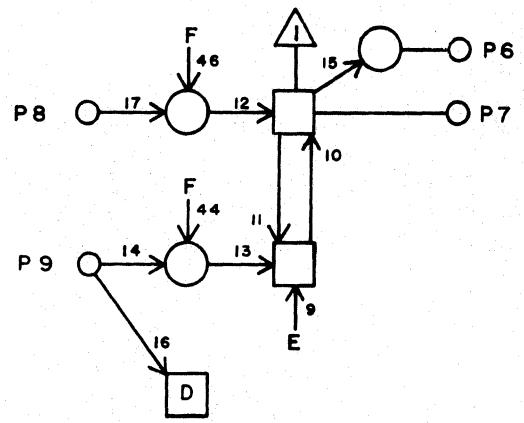
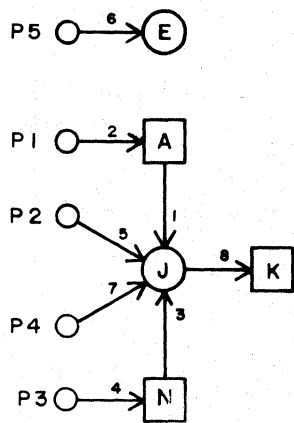
1			
2			
3			
4			
5			
6			
7			
8			
9			
10			
11			
12			
13			
14			
15			
16			
17			
18			
19			
20			
21			
22			
23			
24			
25			
26			
27			
28			

JACK PIN LG  
 60042700 Rev. K





1			
2			
3			
4			
5			
6			
7			
8			
9			
10			
11			
12			
13			
14			
15			
16			
17			
18			
19			
20			
21			
22			
23			
24			
25			
26			
27			
28			



JACK PIN LG

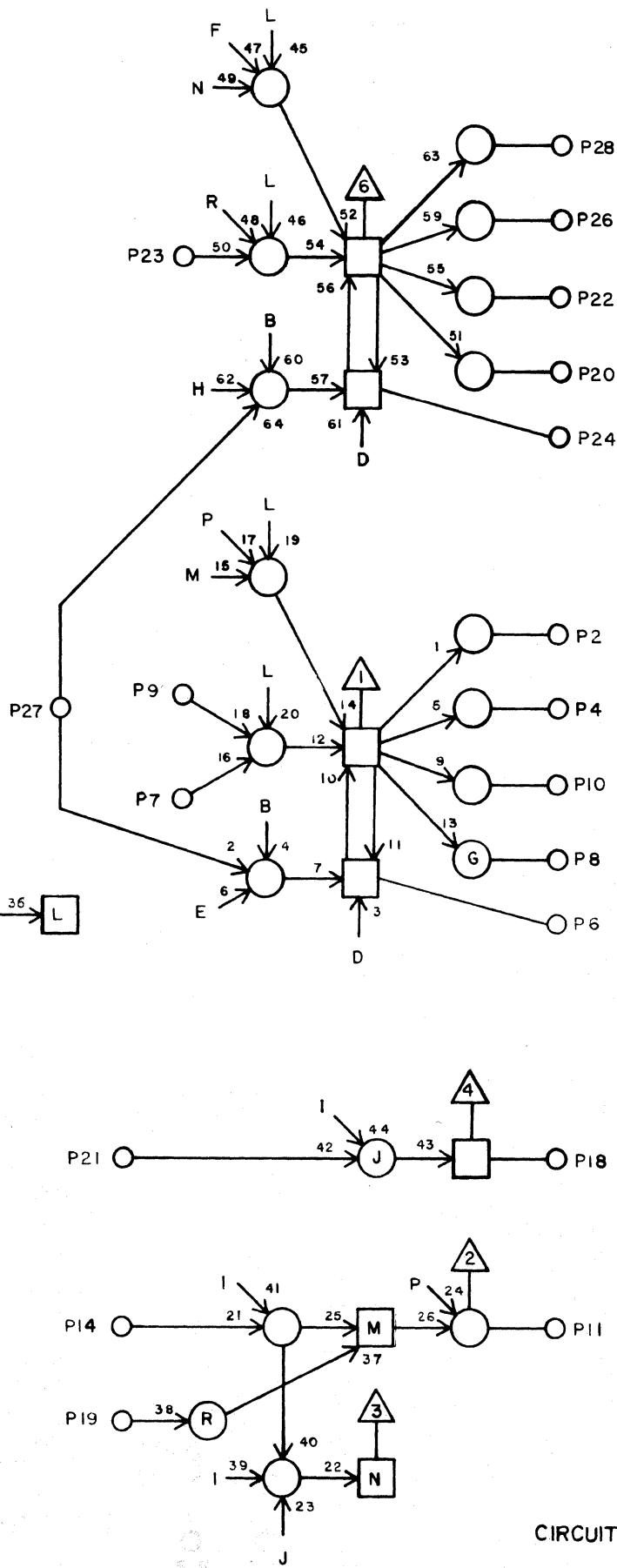
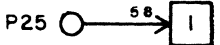
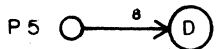
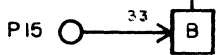
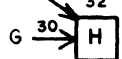
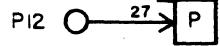
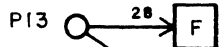
CIRCUIT SPECIFICATION 11827600

60042700 Rev. P

LS 17967300 **B**

ASSY REV

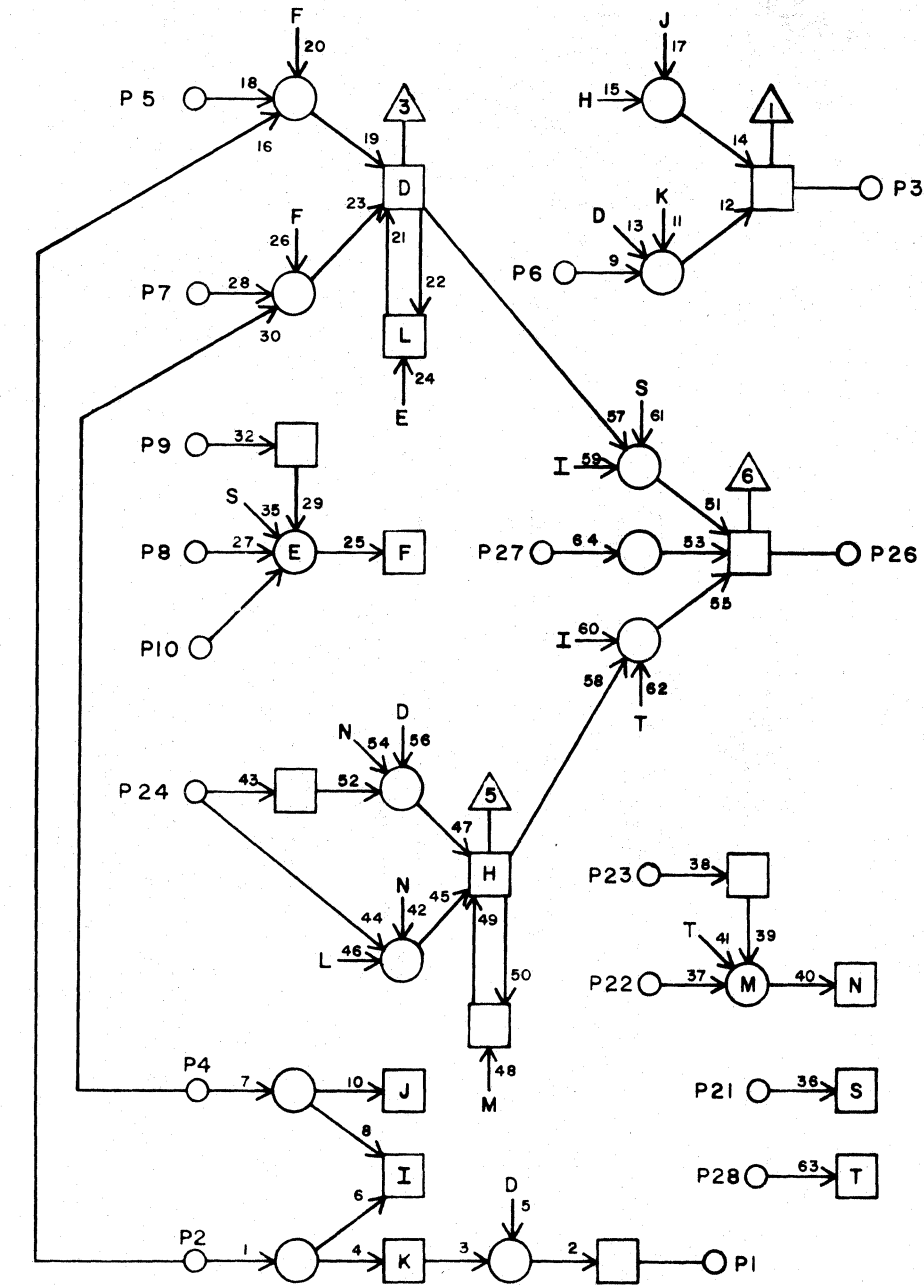
V64



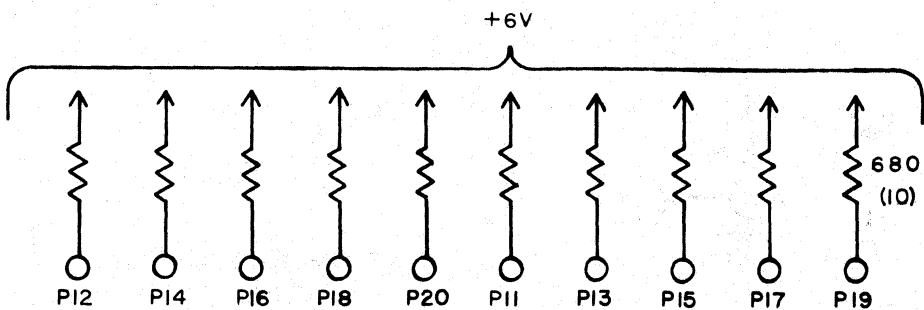
1		
2		
3		
4		
5		
6		
7		
8		
9		
10		
11		
12		
13		
14		
15		
16		
17		
18		
19		
20		
21		
22		
23		
24		
25		
26		
27		
28		

JACK PIN LG

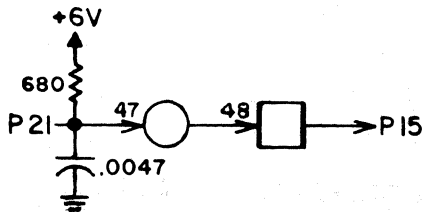
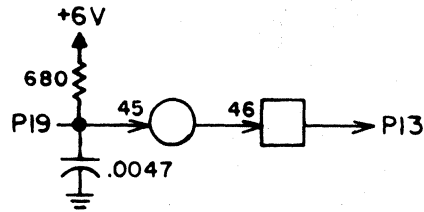
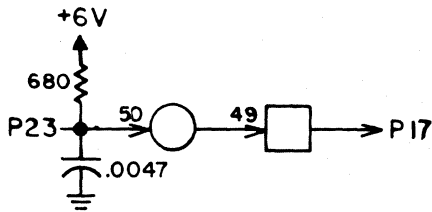
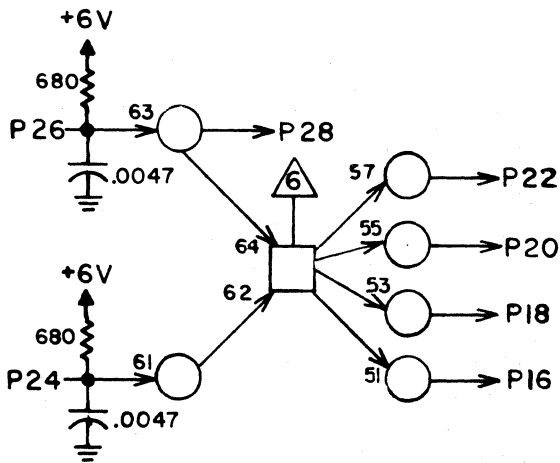
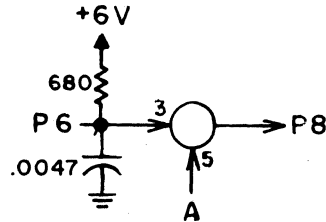
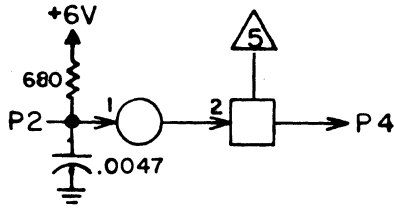
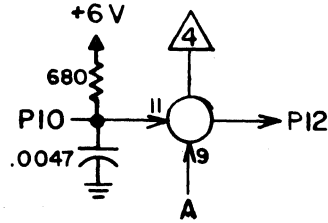
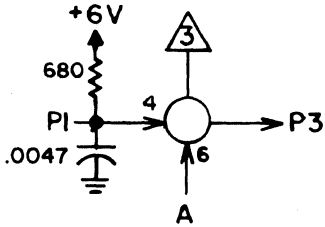
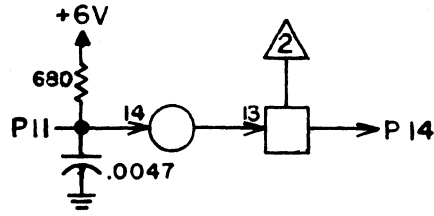
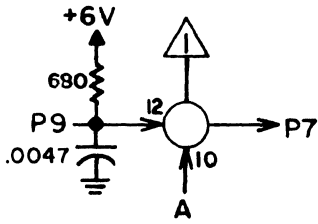
CIRCUIT SPECIFICATION H827600  
60042700 Rev. K



1			
2			
3			
4			
5			
6			
7			
8			
9			
10			
11			
12			
13			
14			
15			
16			
17			
18			
19			
20			
21			
22			
23			
24			
25			
26			
27			
28			



ASSY REV



60042700 Rev AB  
 CIRCUIT SPECIFICATION 11827600  
 52000021

1			
2			
3			
4			
5			
6			
7			
8			
9			
10			
11			
12			
13			
14			
15			
16			
17			
18			
19			
20			
21			
22			
23			
24			
25			
26			
27			
28			

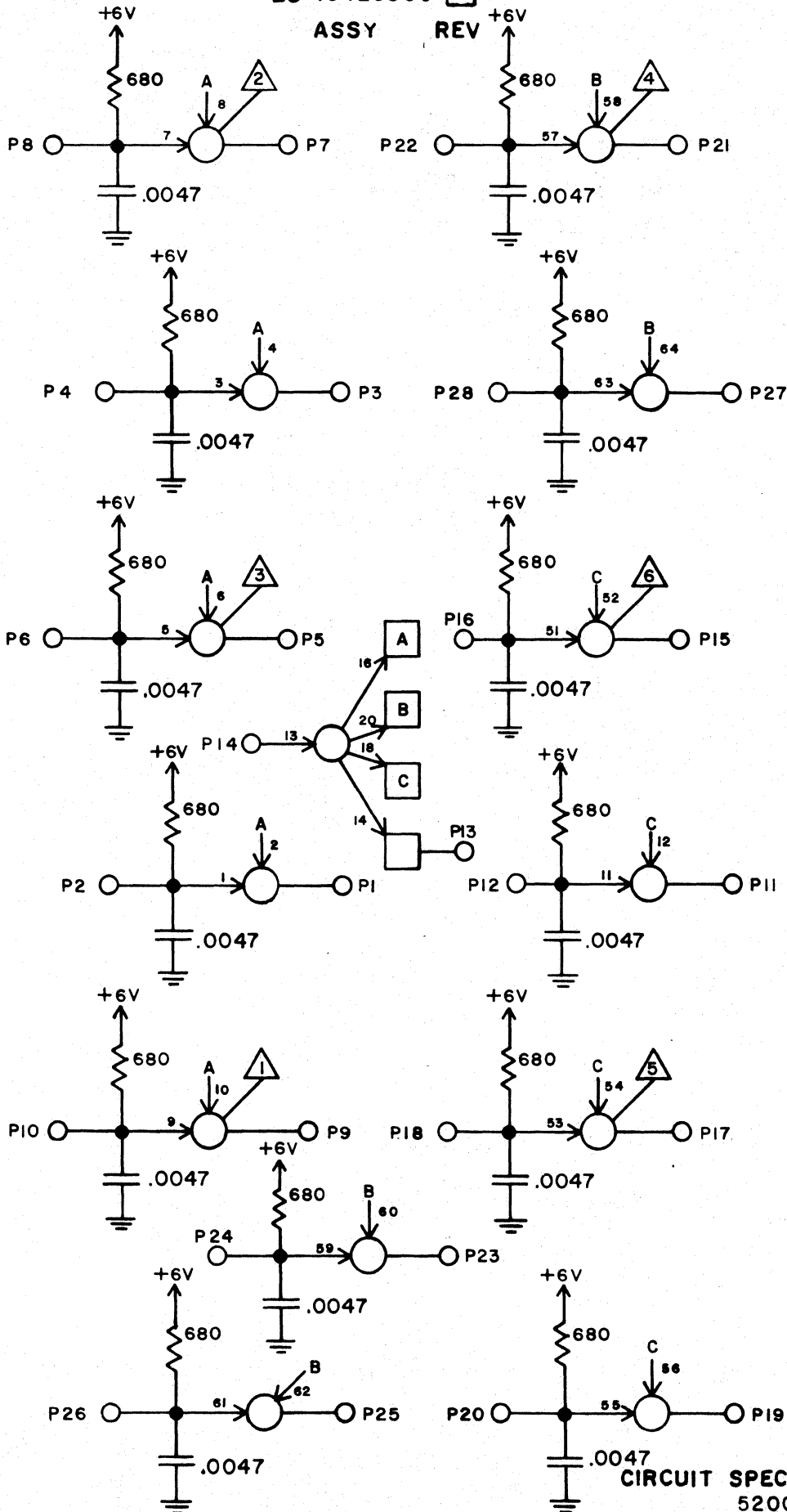
JACK PIN LG

LS 18429900 [C]

ASSY

REV

V67

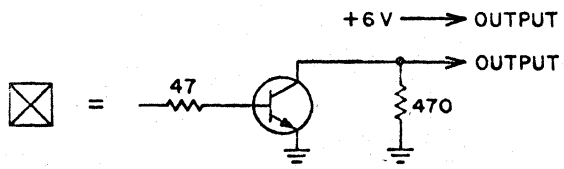
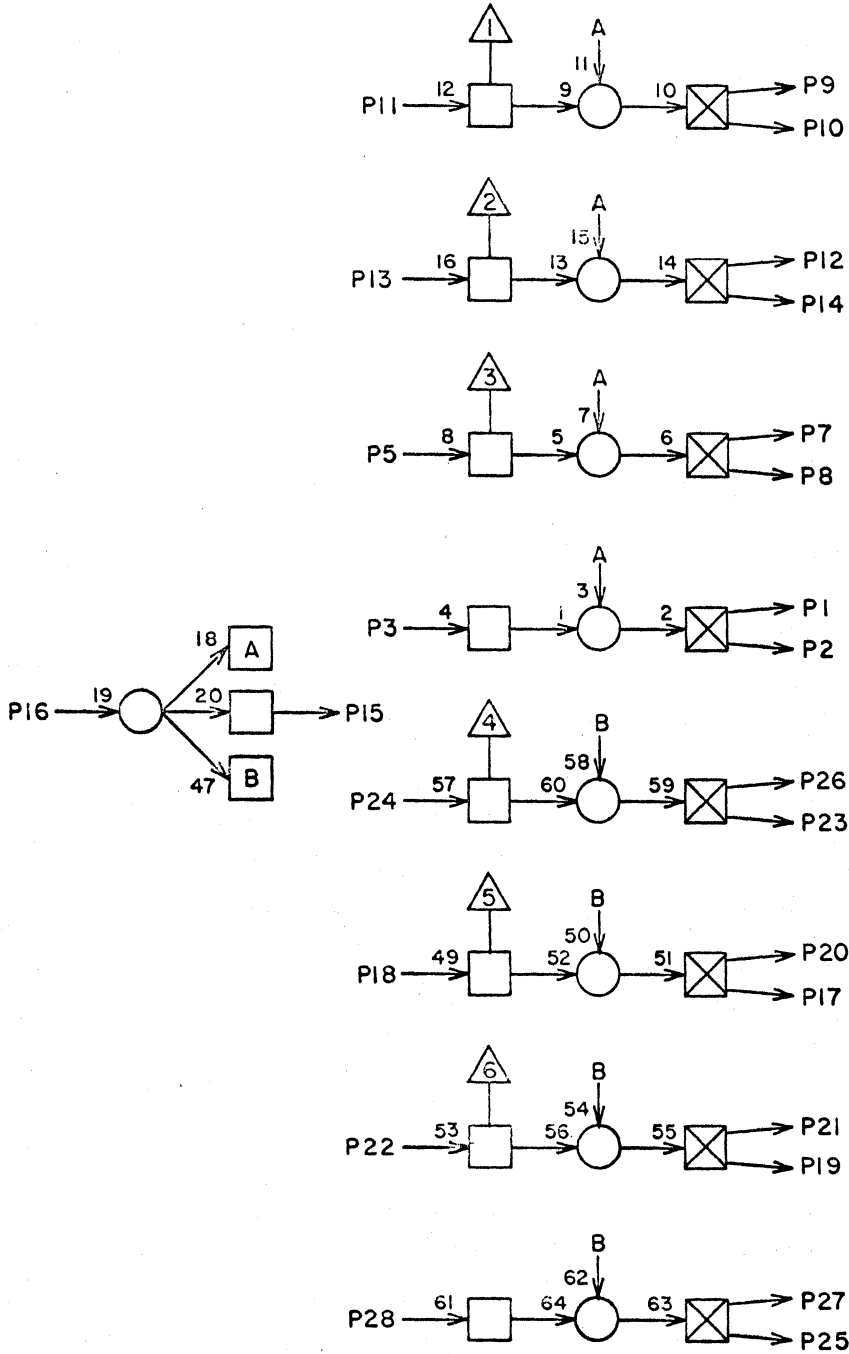


1			
2			
3			
4			
5			
6			
7			
8			
9			
10			
11			
12			
13			
14			
15			
16			
17			
18			
19			
20			
21			
22			
23			
24			
25			
26			
27			
28			

JACK PIN LG  
60042700 Rev. S

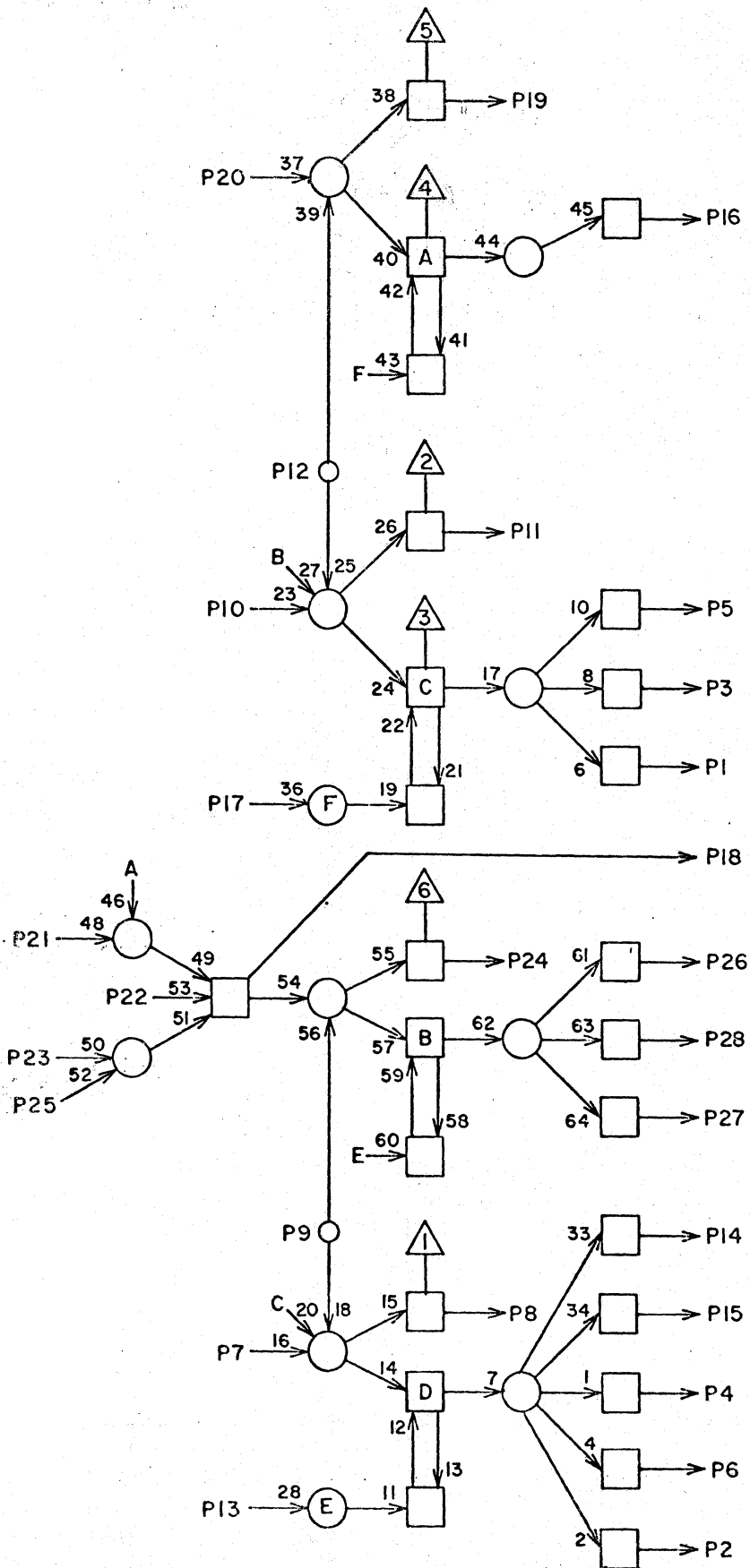
CIRCUIT SPECIFICATION 11827600,  
52000022





1		
2		
3		
4		
5		
6		
7		
8		
9		
10		
11		
12		
13		
14		
15		
16		
17		
18		
19		
20		
21		
22		
23		
24		
25		
26		
27		
28		

JACK PIN LG  
CIRCUIT SPECIFICATION  
11827600  
52000023  
60042700 Rev. P

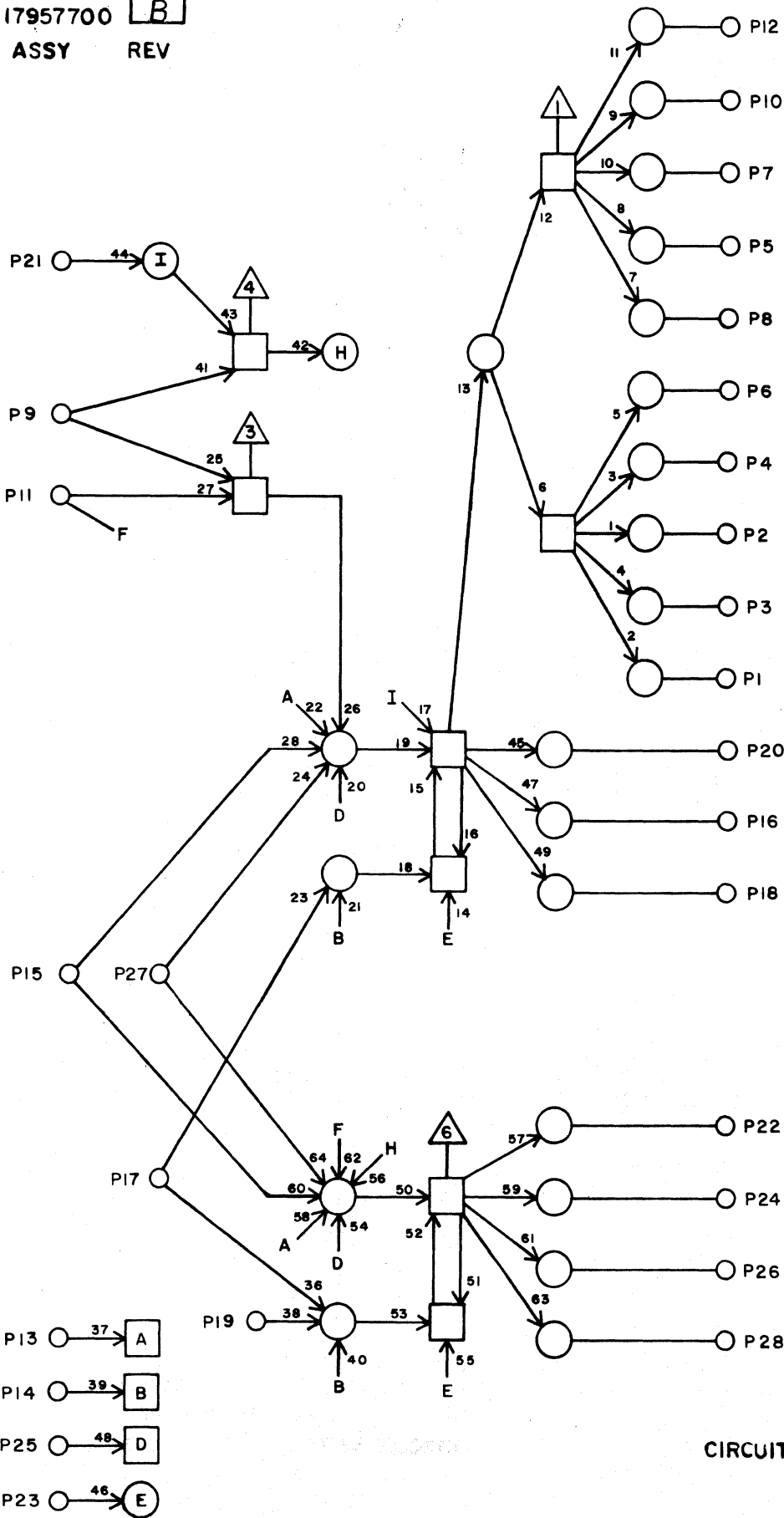


1			
2			
3			
4			
5			
6			
7			
8			
9			
10			
11			
12			
13			
14			
15			
16			
17			
18			
19			
20			
21			
22			
23			
24			
25			
26			
27			
28			

JACK PIN LG  
CIRCUIT SPECIFICATION  
11827600  
60042700 Rev. T

LS 17957700 B  
 ASSY REV

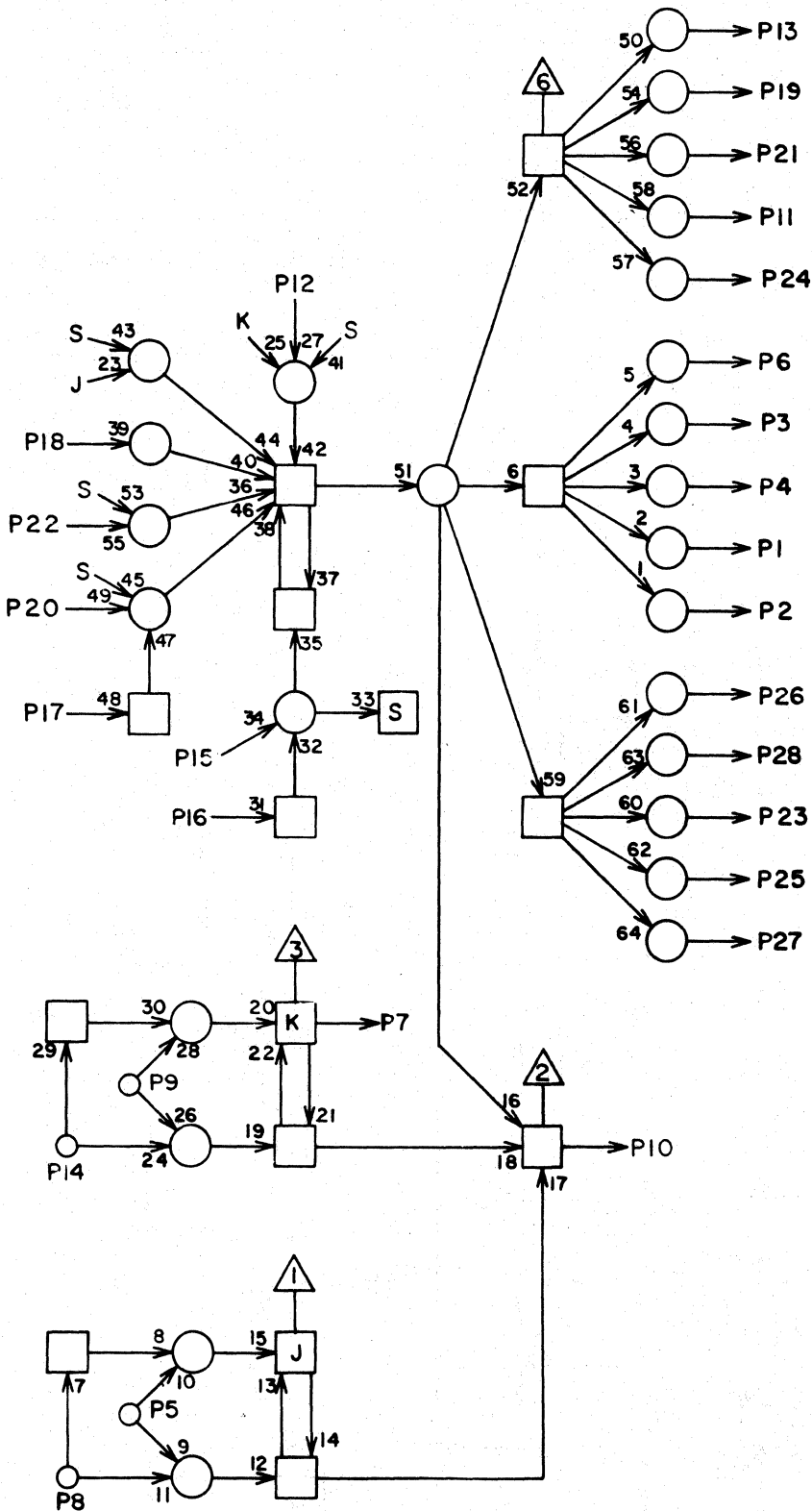
V70



1		
2		
3		
4		
5		
6		
7		
8		
9		
10		
11		
12		
13		
14		
15		
16		
17		
18		
19		
20		
21		
22		
23		
24		
25		
26		
27		
28		

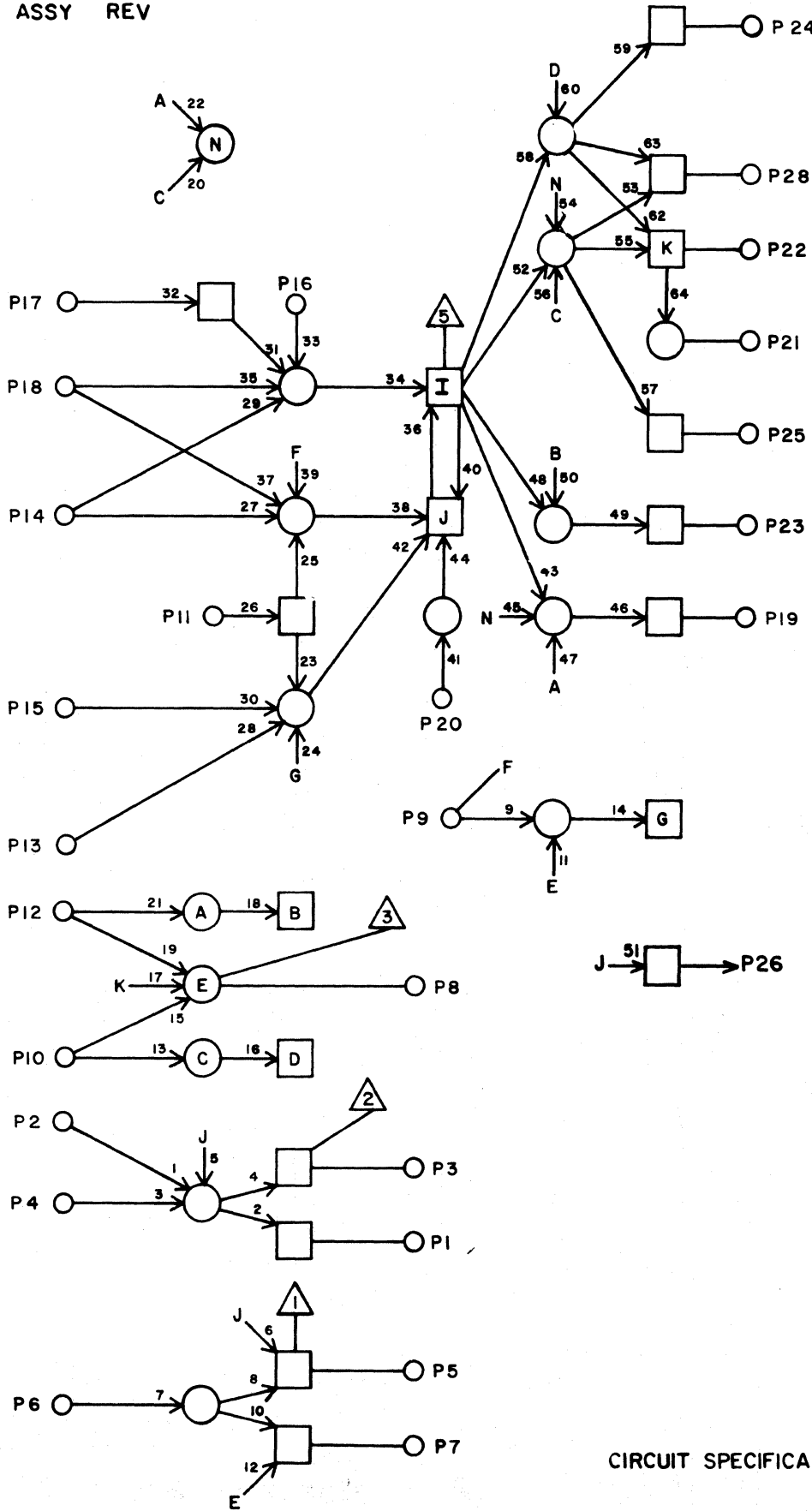
JACK PIN LG  
 CIRCUIT SPECIFICATION 11827600

60042700 Rev. K



1			
2			
3			
4			
5			
6			
7			
8			
9			
10			
11			
12			
13			
14			
15			
16			
17			
18			
19			
20			
21			
22			
23			
24			
25			
26			
27			
28			

JACK PIN LG



1			
2			
3			
4			
5			
6			
7			
8			
9			
10			
11			
12			
13			
14			
15			
16			
17			
18			
19			
20			
21			
22			
23			
24			
25			
26			
27			
28			

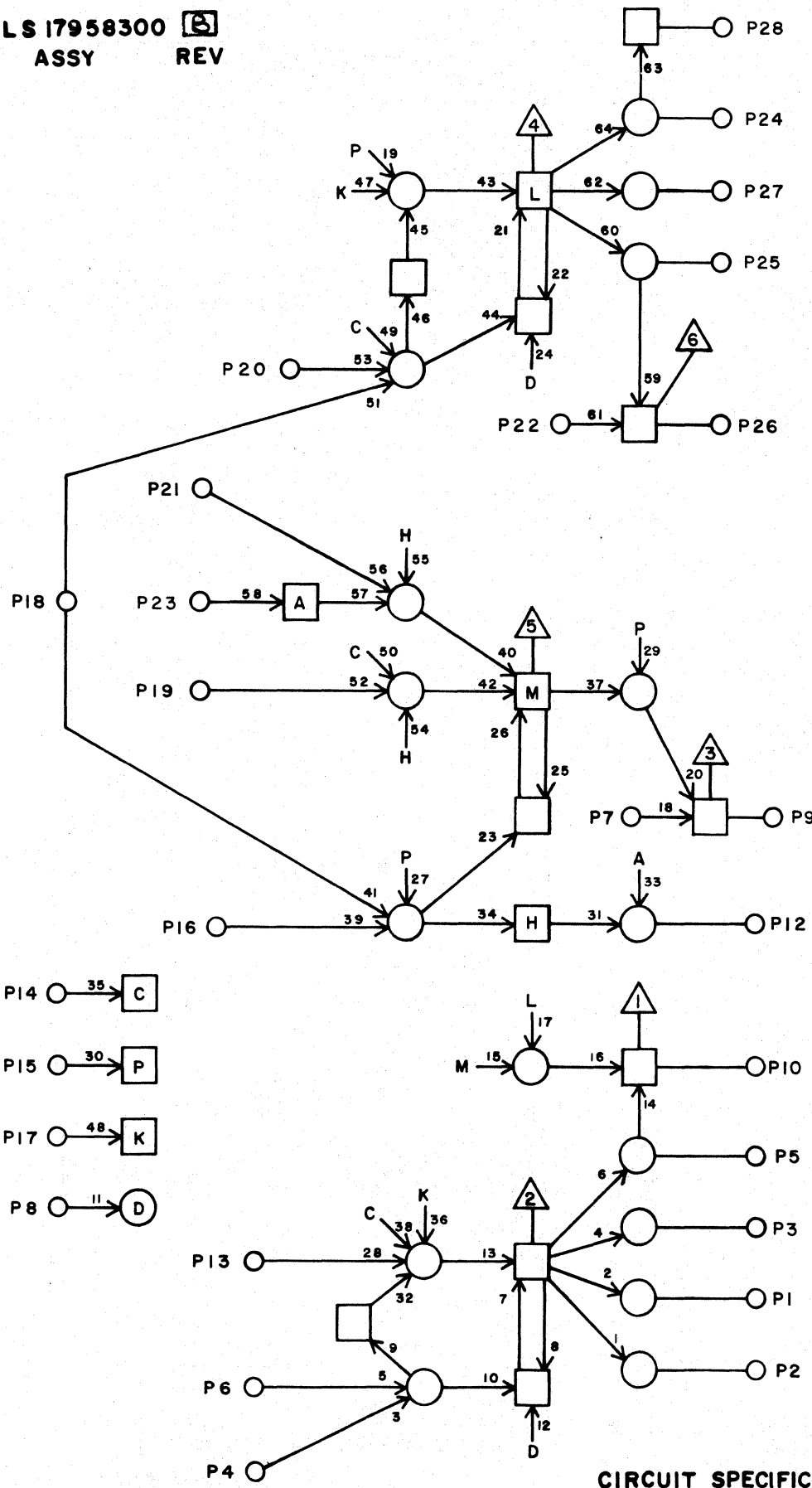
JACK PIN LG

CIRCUIT SPECIFICATION 11827600

60042700 Rev. P

LS 17958300 **B**  
 ASSY REV

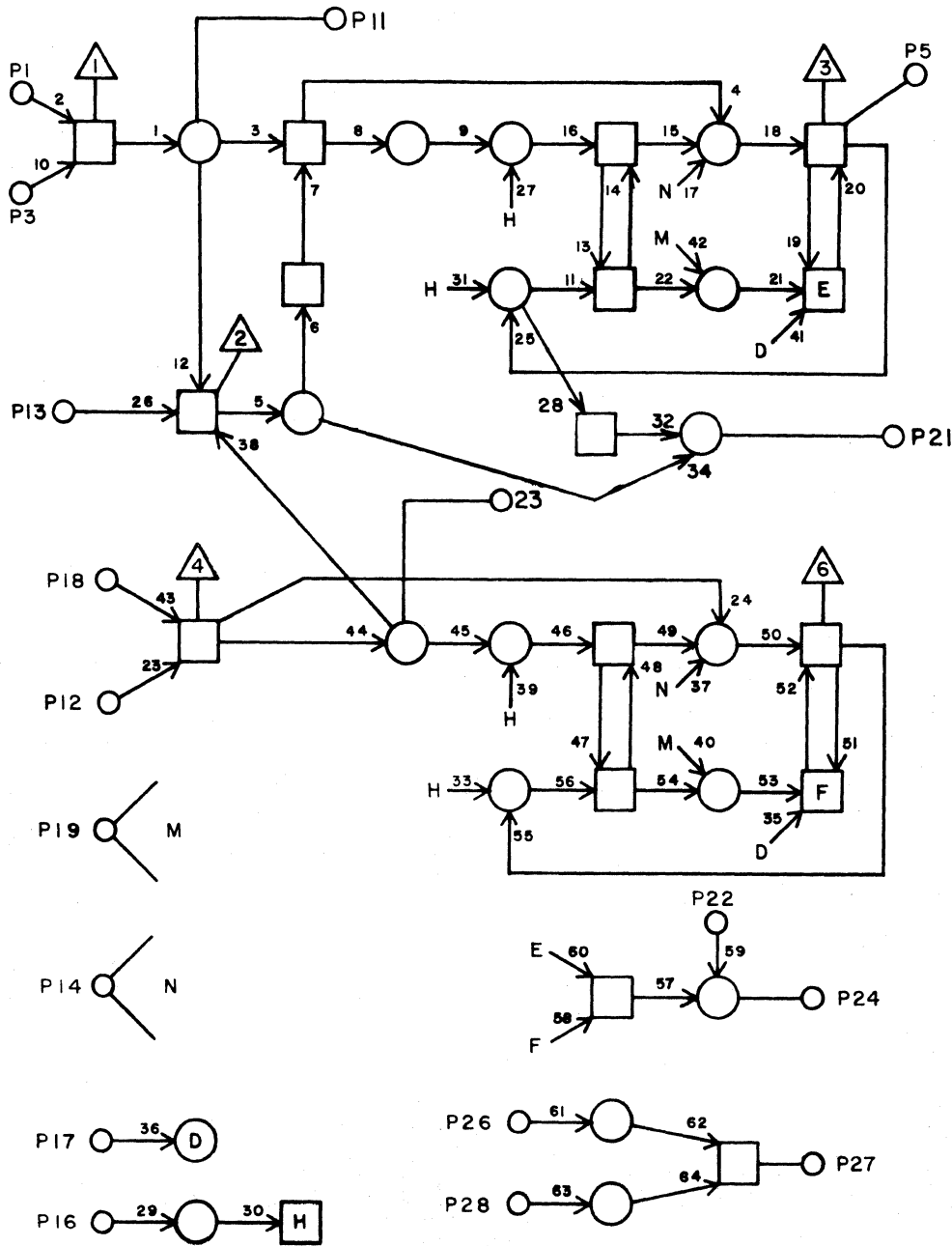
V73



1			
2			
3			
4			
5			
6			
7			
8			
9			
10			
11			
12			
13			
14			
15			
16			
17			
18			
19			
20			
21			
22			
23			
24			
25			
26			
27			
28			

JACK PIN LG  
 60042700 Rev. K

CIRCUIT SPECIFICATION 11827600



1			
2			
3			
4			
5			
6			
7			
8			
9			
10			
11			
12			
13			
14			
15			
16			
17			
18			
19			
20			
21			
22			
23			
24			
25			
26			
27			
28			

JACK PIN LG

CIRCUIT SPECIFICATION 11827600

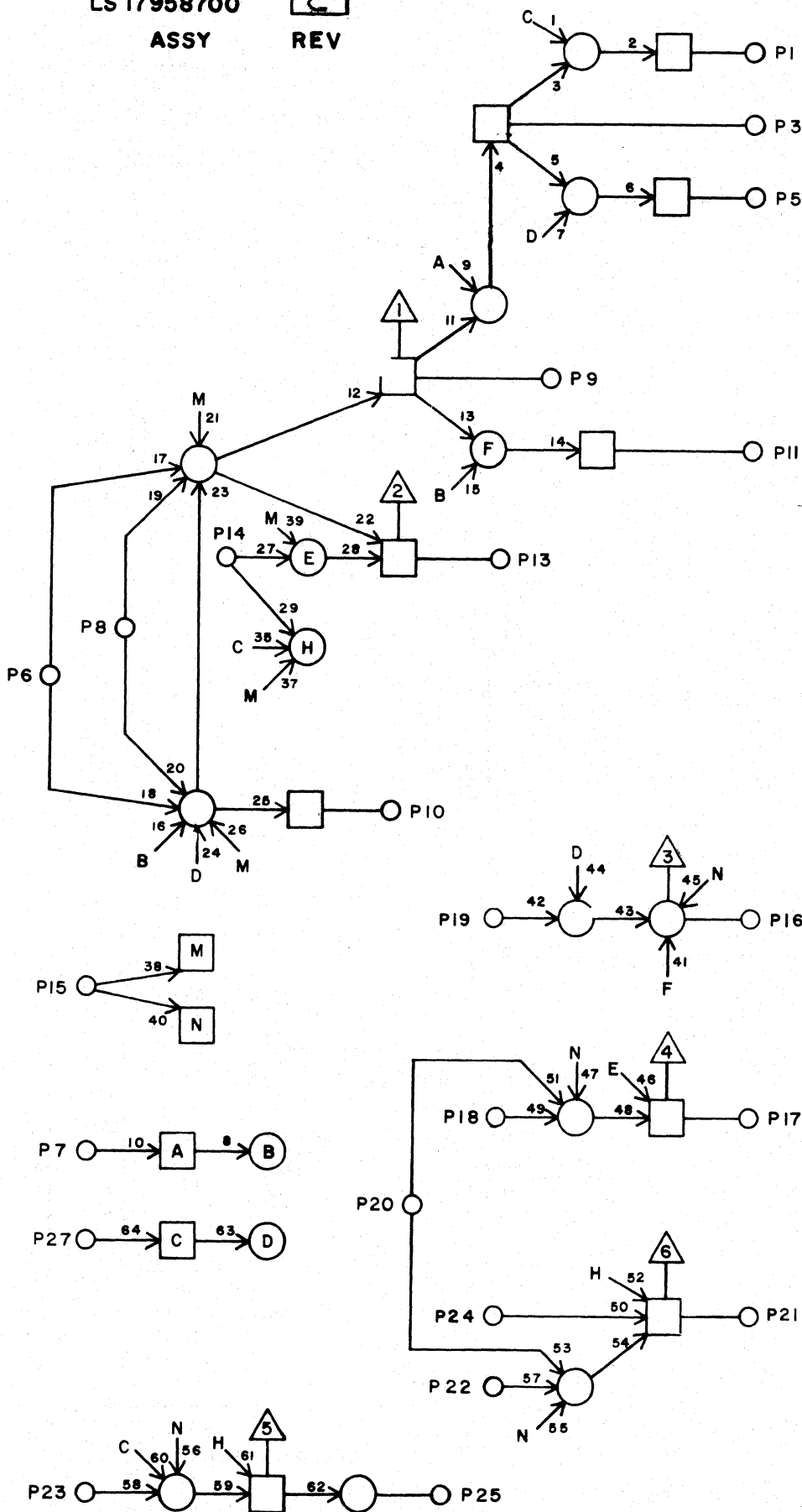
LS 17958700

ASSY



REV

V75



1			
2			
3			
4			
5			
6			
7			
8			
9			
10			
11			
12			
13			
14			
15			
16			
17			
18			
19			
20			
21			
22			
23			
24			
25			
26			
27			
28			

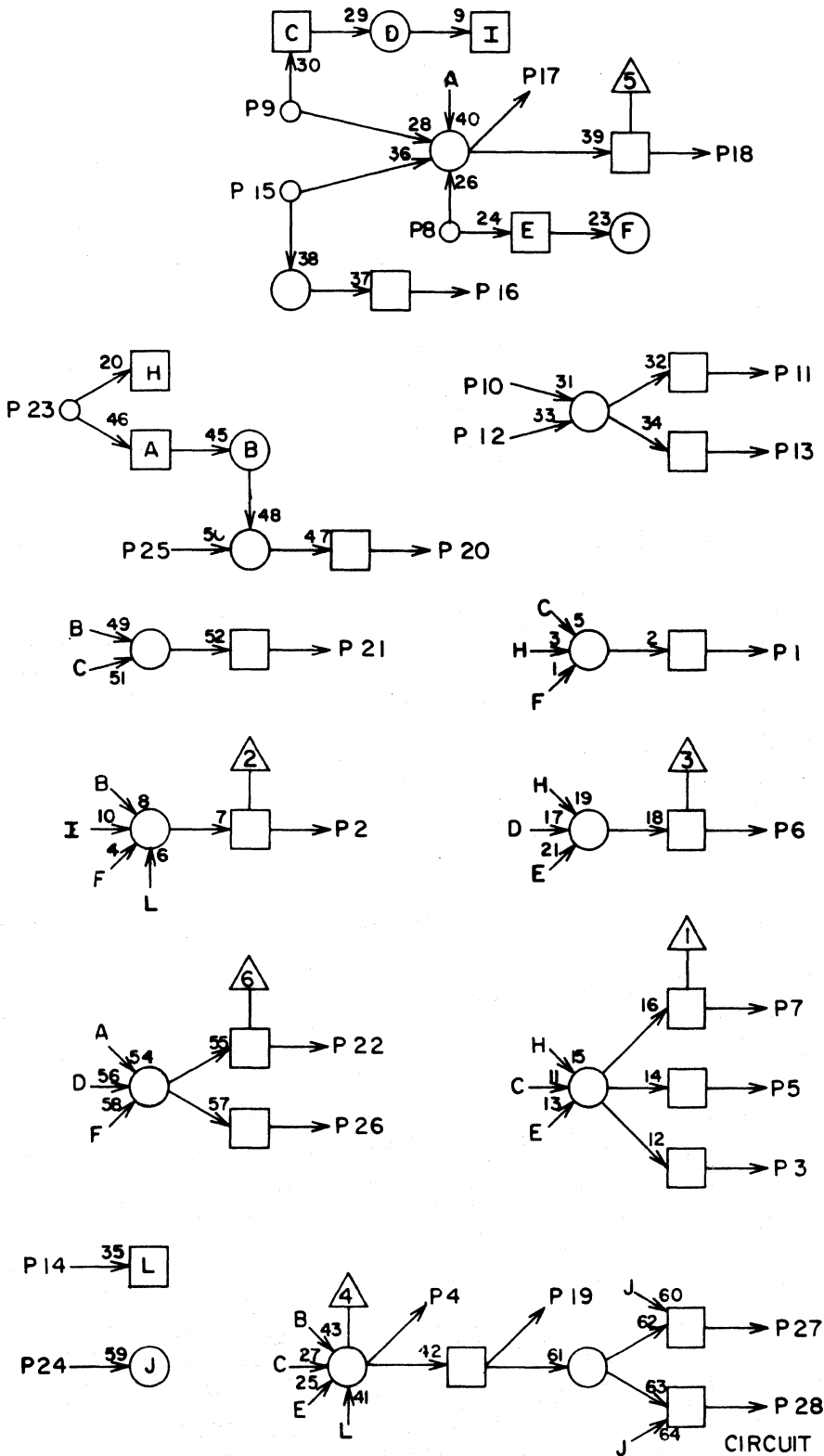
JACK PIN LG

60042700 Rev. K

CIRCUIT SPECIFICATION 11827600



ASSY REV

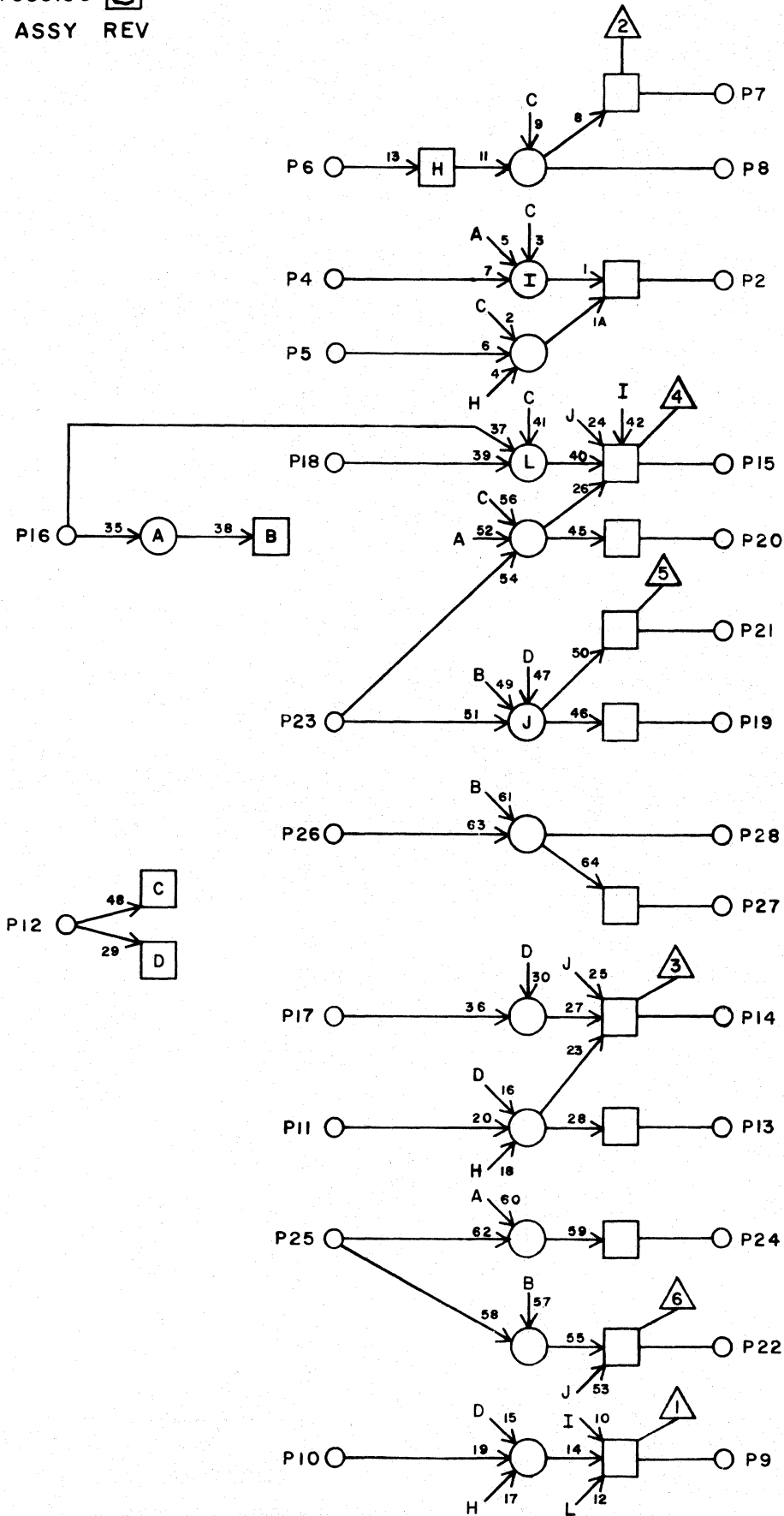
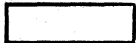


1			
2			
3			
4			
5			
6			
7			
8			
9			
10			
11			
12			
13			
14			
15			
16			
17			
18			
19			
20			
21			
22			
23			
24			
25			
26			
27			
28			

JACK PIN LG

60042700 Rev. K

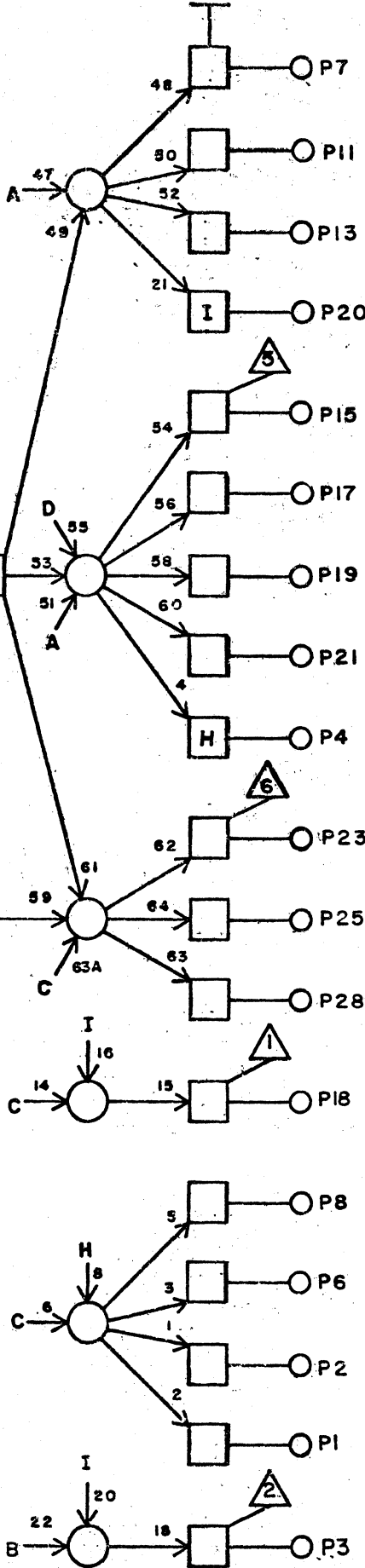
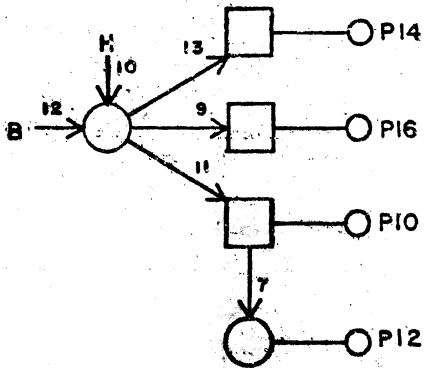
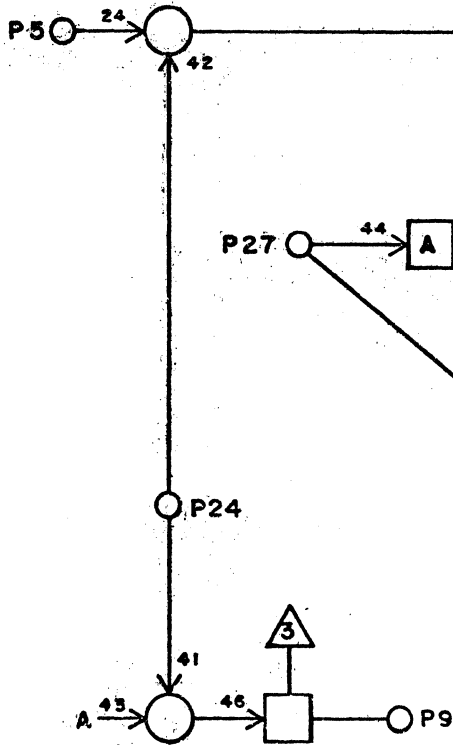
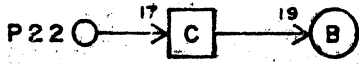
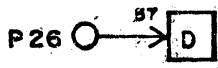
CIRCUIT SPECIFICATION 11827600



1			
2			
3			
4			
5			
6			
7			
8			
9			
10			
11			
12			
13			
14			
15			
16			
17			
18			
19			
20			
21			
22			
23			
24			
25			
26			
27			
28			

JACK PIN LG

60042700 Rev. K



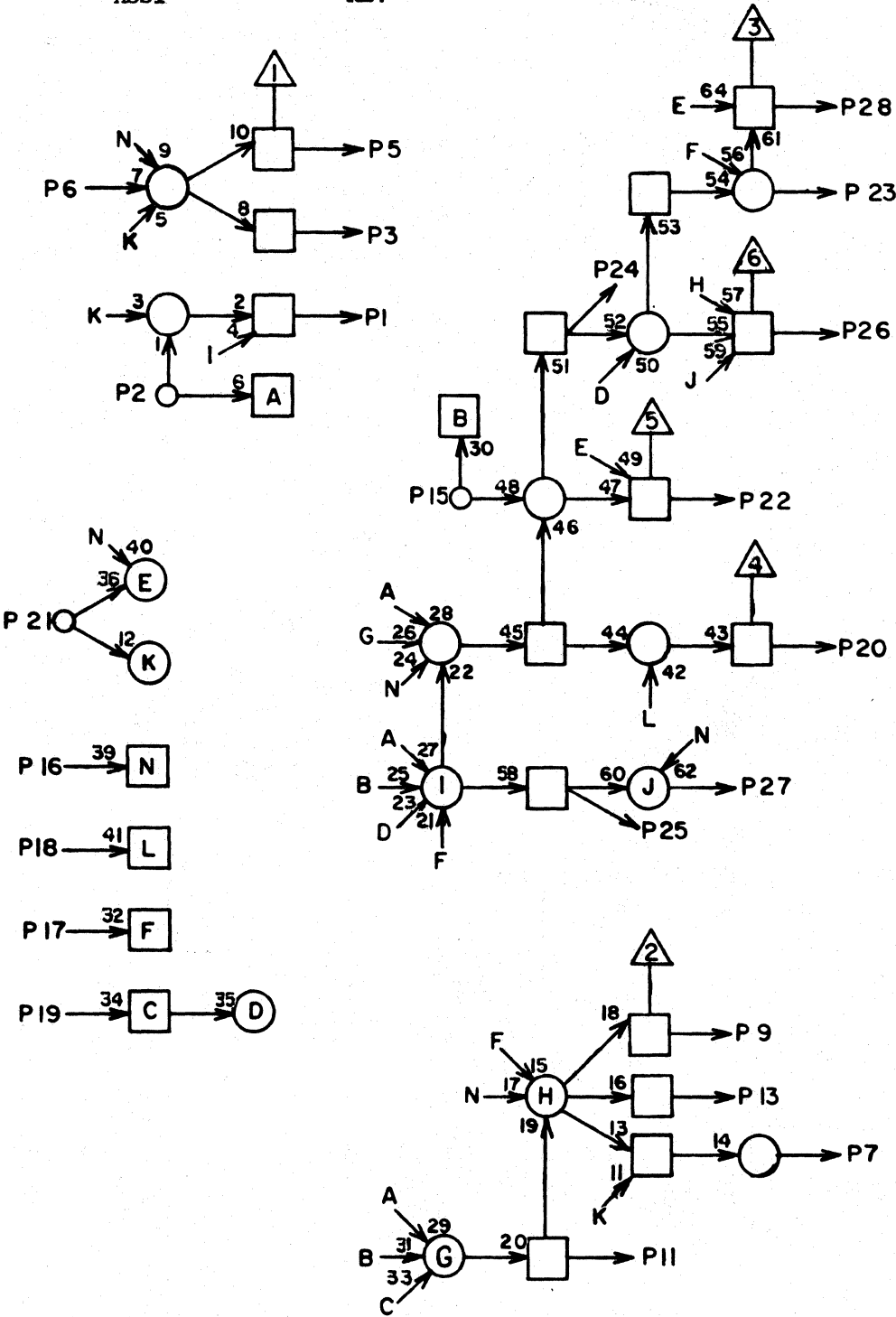
1			
2			
3			
4			
5			
6			
7			
8			
9			
10			
11			
12			
13			
14			
15			
16			
17			
18			
19			
20			
21			
22			
23			
24			
25			
26			
27			
28			

JACK PIN LG  
CIRCUIT SPECIFICATION 1182760C  
60042700 Rev. V

LS 17959500  
ASSY

**G**  
REV

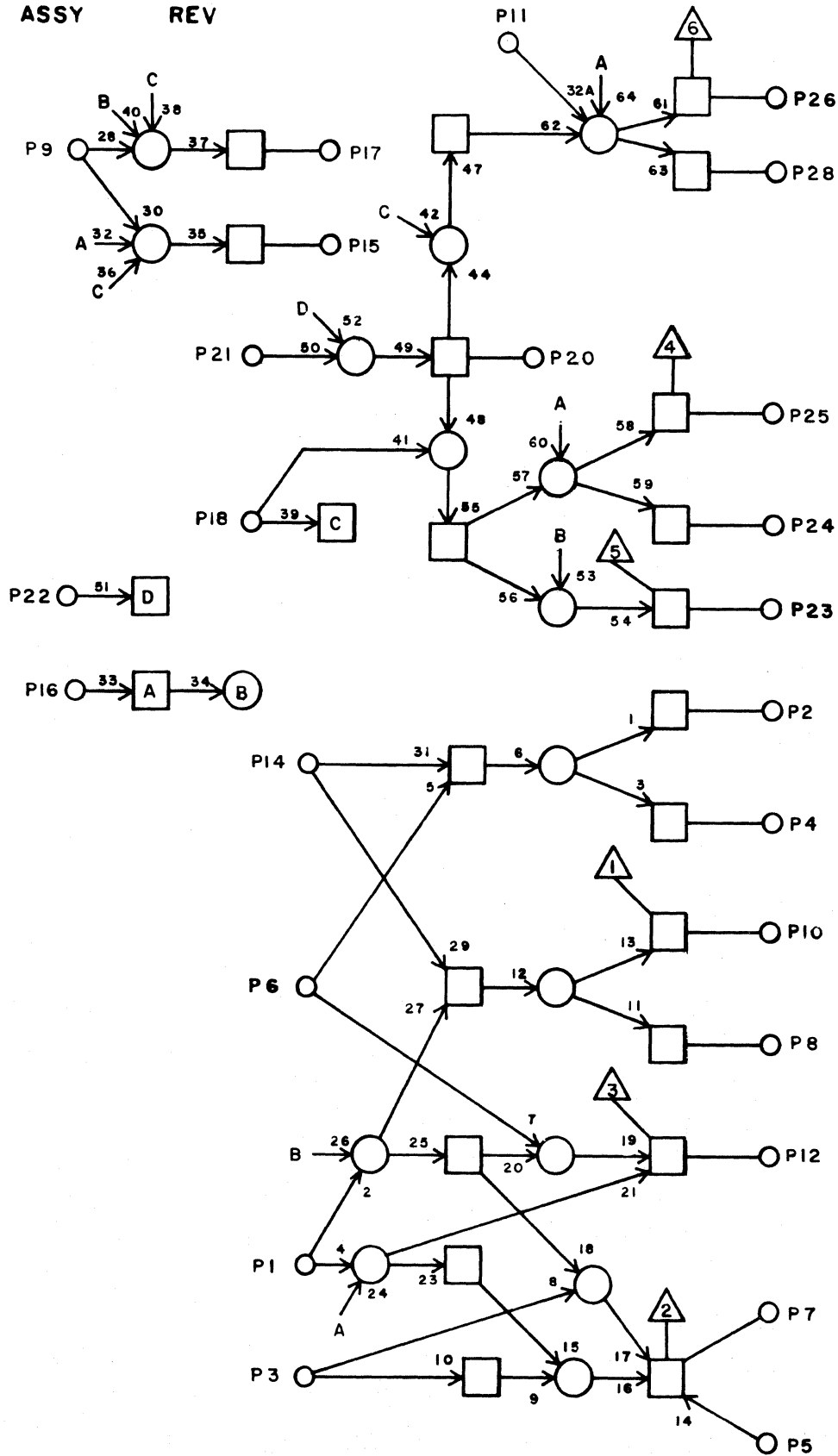
V79



1			
2			
3			
4			
5			
6			
7			
8			
9			
10			
11			
12			
13			
14			
15			
16			
17			
18			
19			
20			
21			
22			
23			
24			
25			
26			
27			
28			

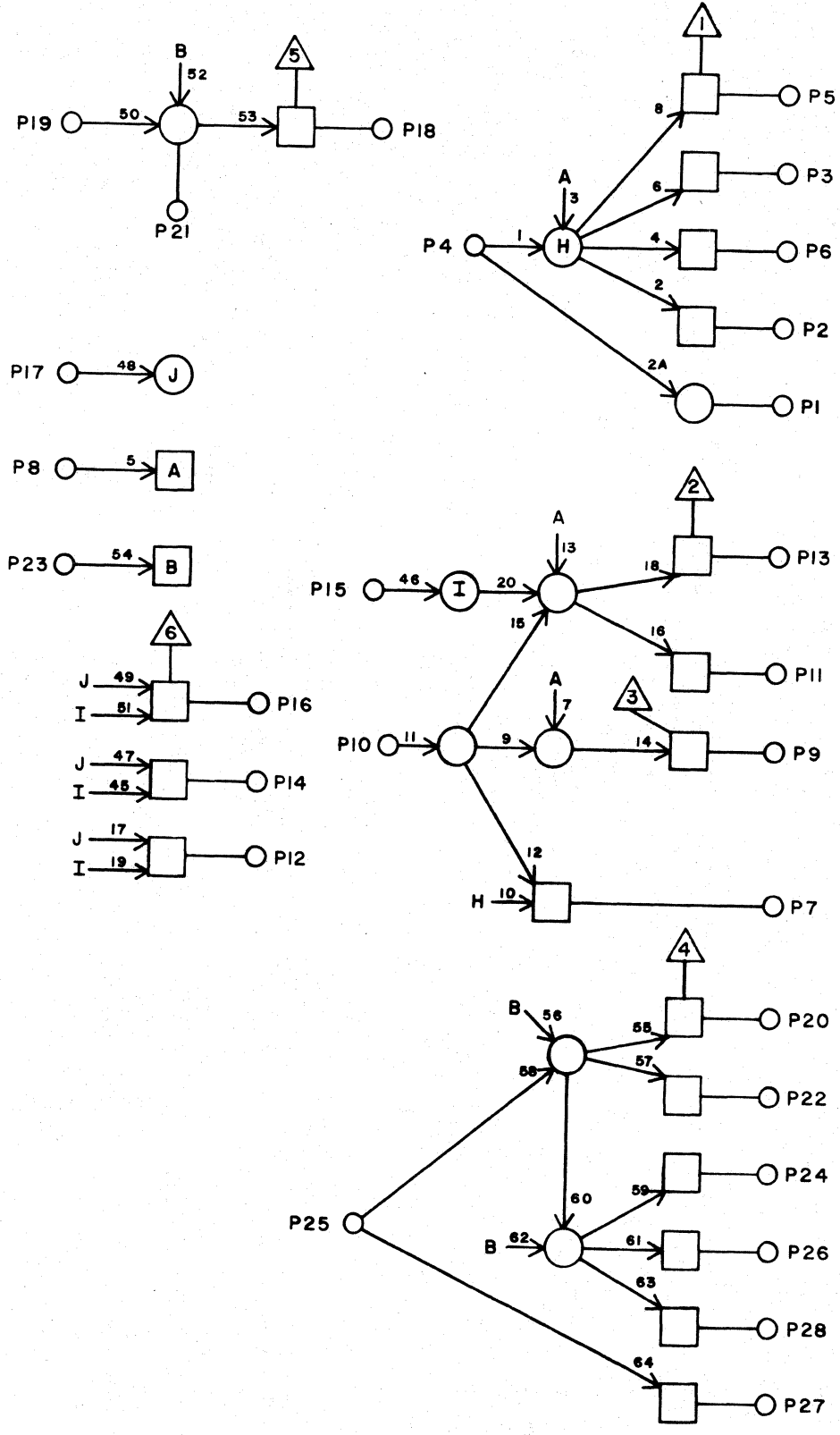
JACK PIN LG

60042700 Rev AB  
CIRCUIT SPECIFICATION 11827600



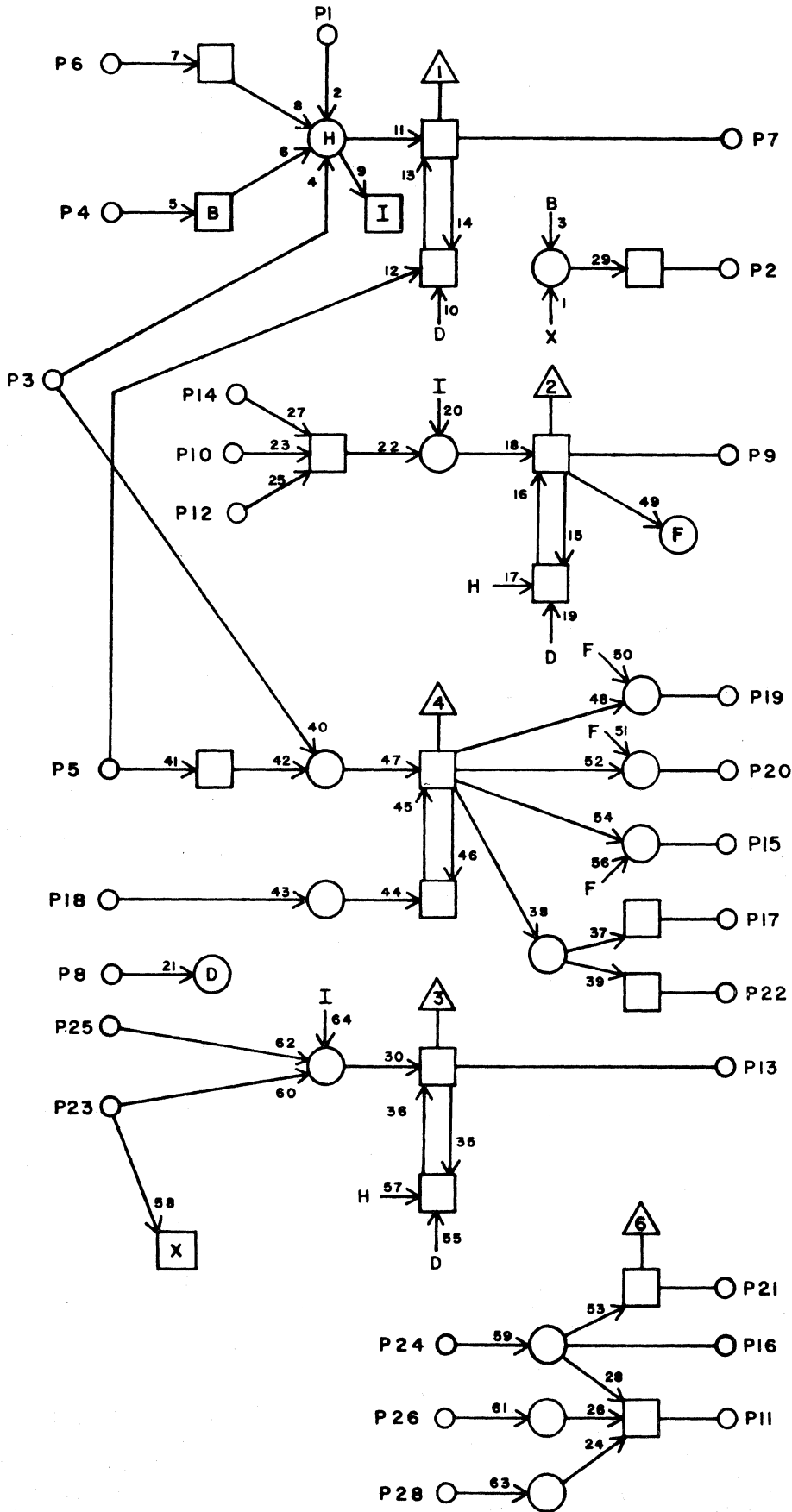
1			
2			
3			
4			
5			
6			
7			
8			
9			
10			
11			
12			
13			
14			
15			
16			
17			
18			
19			
20			
21			
22			
23			
24			
25			
26			
27			
28			

JACK PIN LG



1			
2			
3			
4			
5			
6			
7			
8			
9			
10			
11			
12			
13			
14			
15			
16			
17			
18			
19			
20			
21			
22			
23			
24			
25			
26			
27			
28			

JACK PIN LG

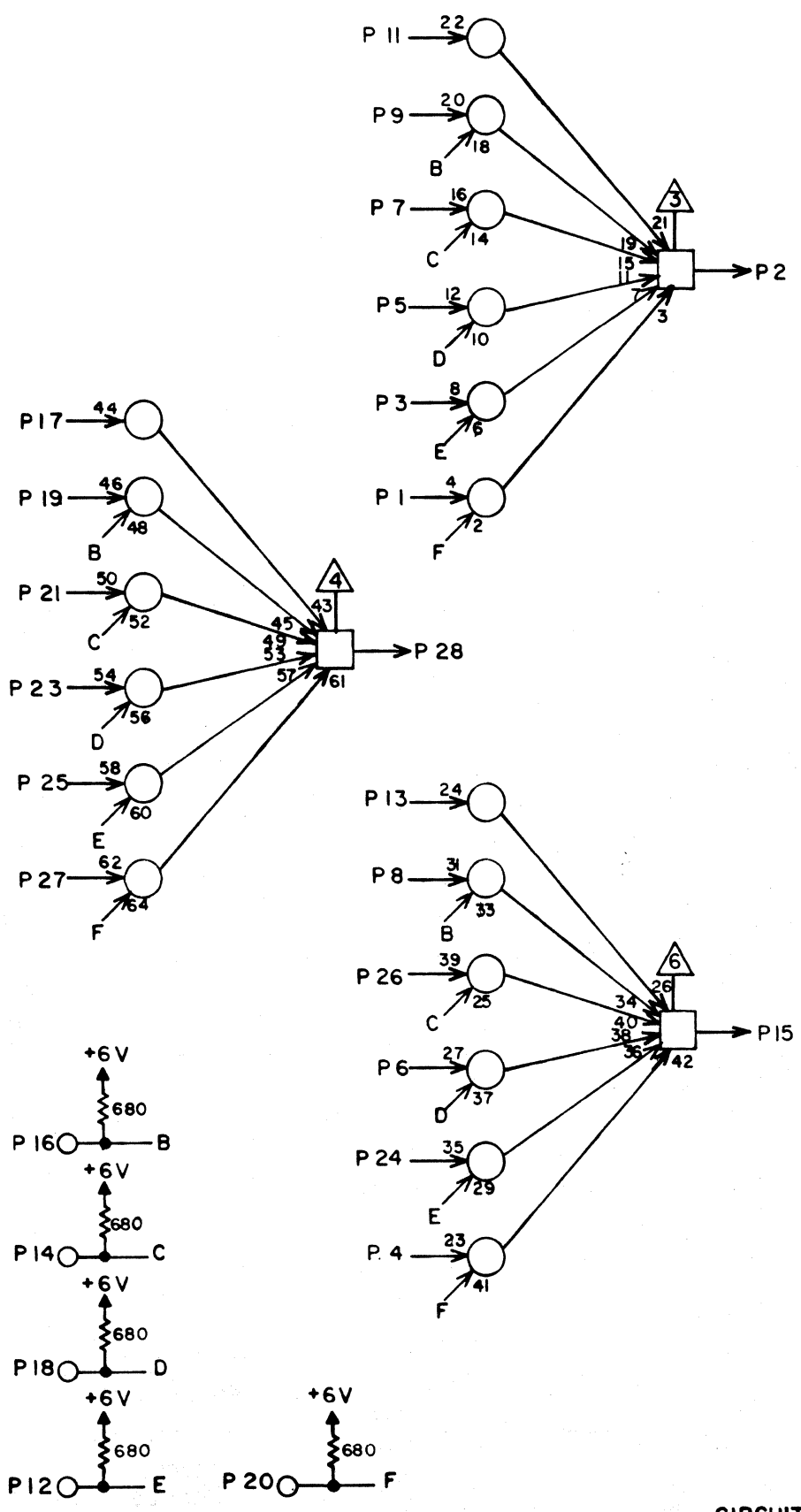
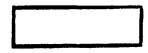


1			
2			
3			
4			
5			
6			
7			
8			
9			
10			
11			
12			
13			
14			
15			
16			
17			
18			
19			
20			
21			
22			
23			
24			
25			
26			
27			
28			

JACK PIN LG  
CIRCUIT SPECIFICATION 11827600





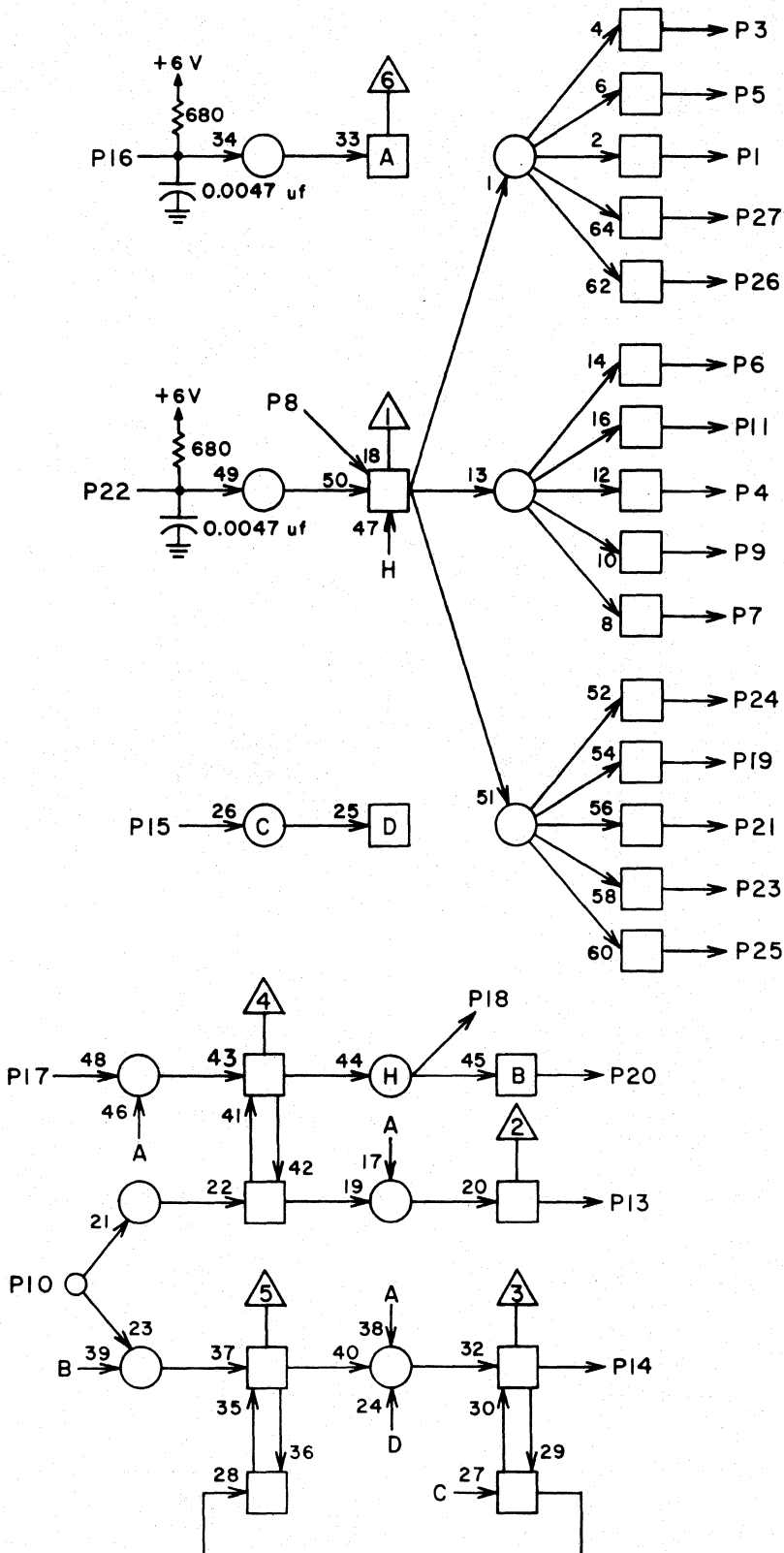


1			
2			
3			
4			
5			
6			
7			
8			
9			
10			
11			
12			
13			
14			
15			
16			
17			
18			
19			
20			
21			
22			
23			
24			
25			
26			
27			
28			

JACK PIN LG

60042700 Rev. P  
52000024

CIRCUIT SPECIFICATION 11827600



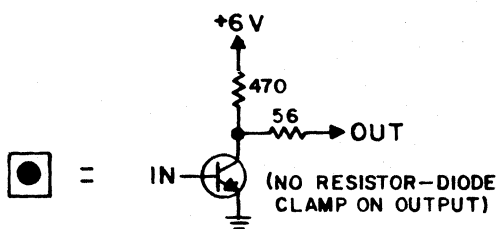
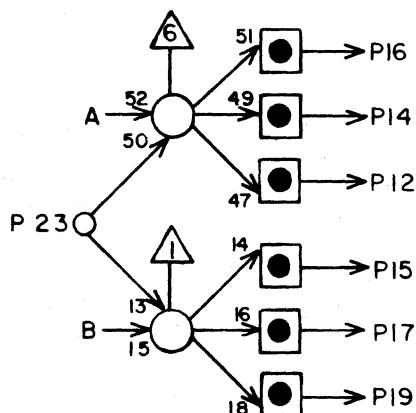
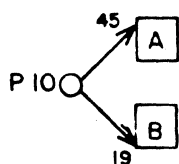
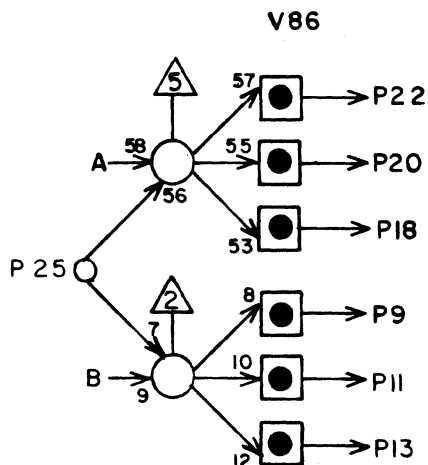
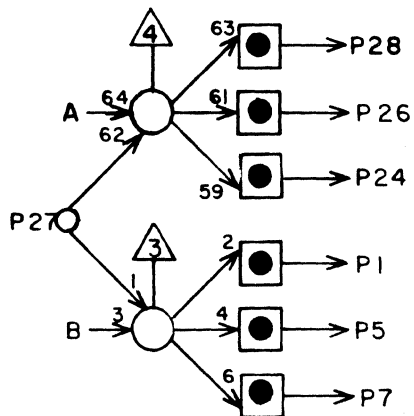
1			
2			
3			
4			
5			
6			
7			
8			
9			
10			
11			
12			
13			
14			
15			
16			
17			
18			
19			
20			
21			
22			
23			
24			
25			
26			
27			
28			

JACK PIN LG  
60042700 Rev. S

CIRCUIT SPECIFICATION

11827600  
52000025

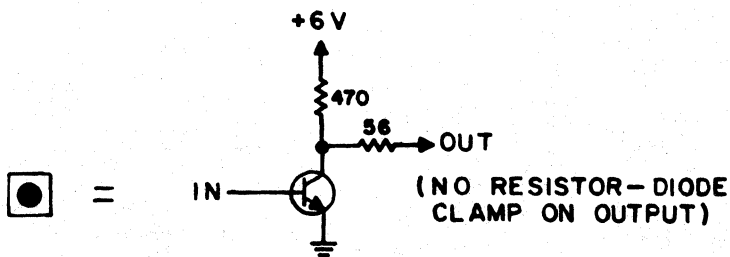
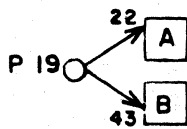
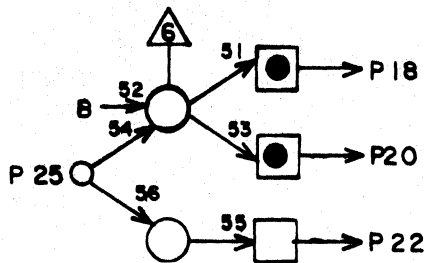
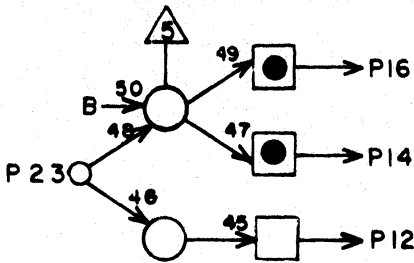
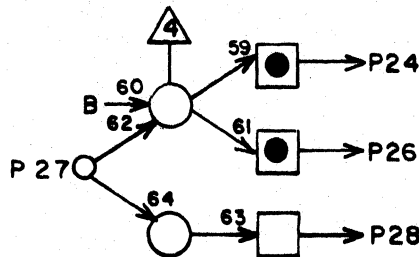
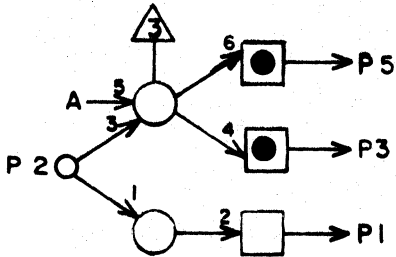
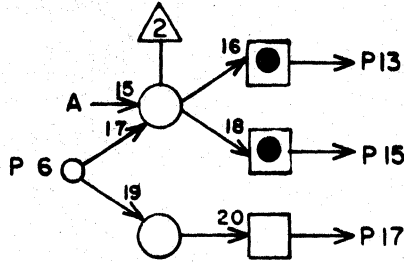
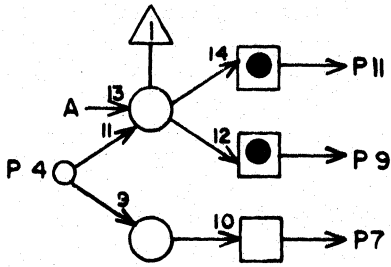
LS 17960900 **B**  
 ASSY REV



	JACK	PIN	LG
1			
2			
3			
4			
5			
6			
7			
8			
9			
10			
11			
12			
13			
14			
15			
16			
17			
18			
19			
20			
21			
22			
23			
24			
25			
26			
27			
28			

60042700 Rev. K

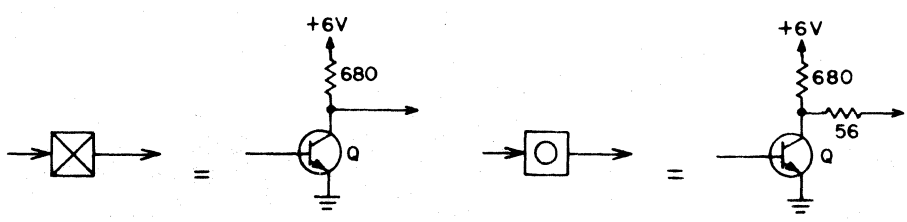
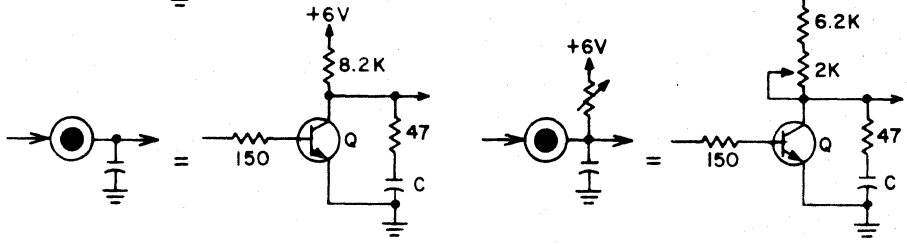
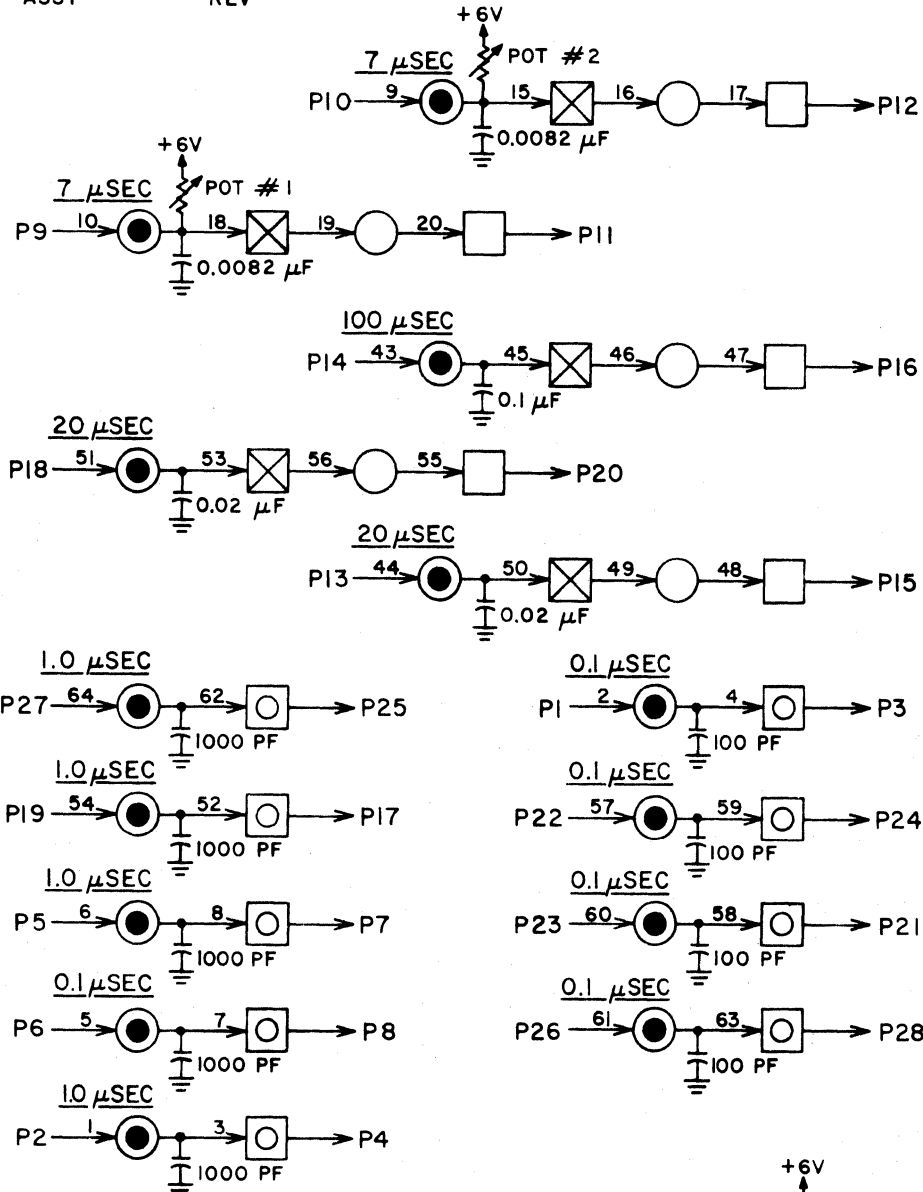
CIRCUIT SPECIFICATION 11827600



1			
2			
3			
4			
5			
6			
7			
8			
9			
10			
11			
12			
13			
14			
15			
16			
17			
18			
19			
20			
21			
22			
23			
24			
25			
26			
27			
28			

JACK PIN LG

60042700 Rev. K

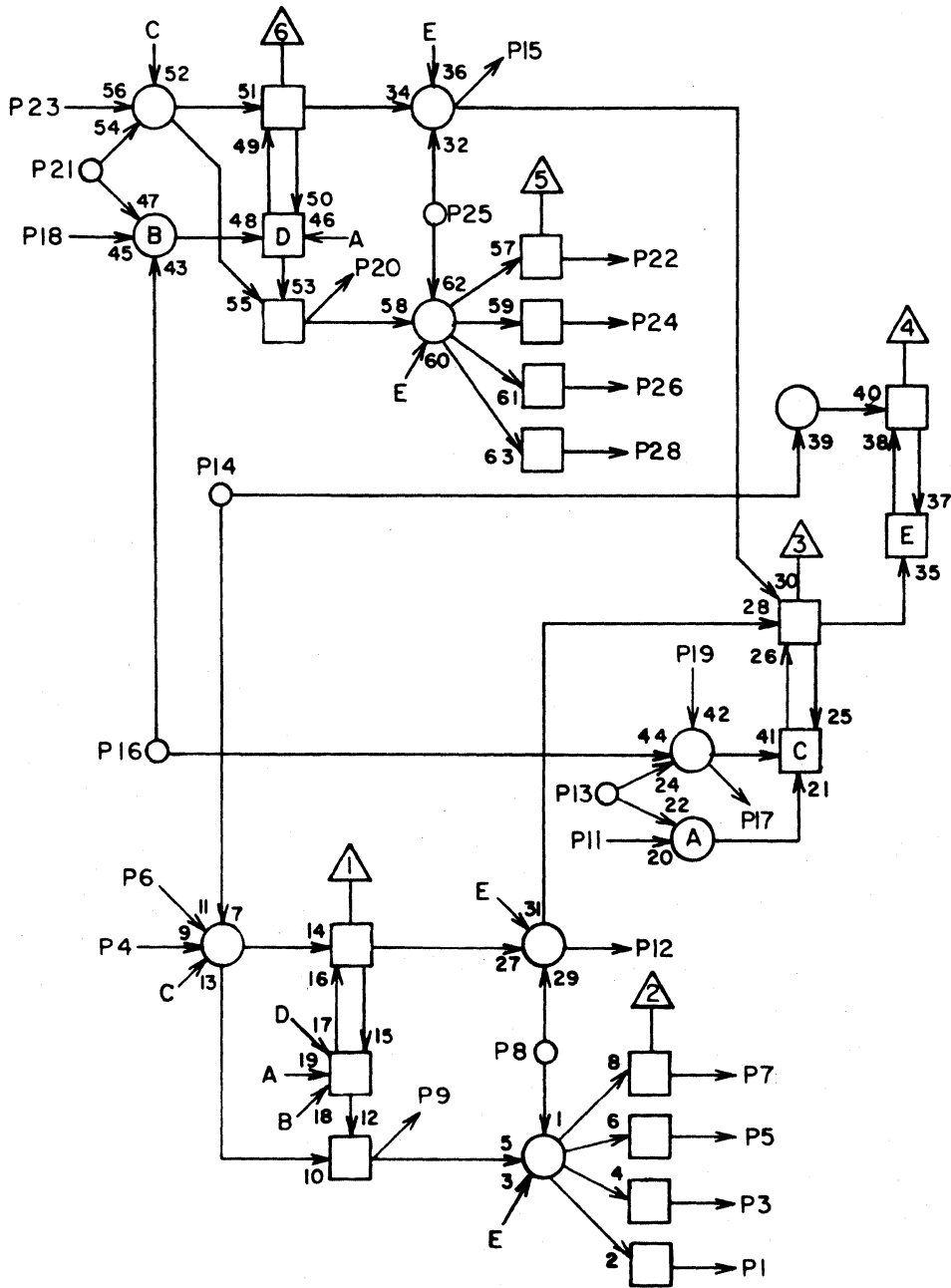


1			
2			
3			
4			
5			
6			
7			
8			
9			
10			
11			
12			
13			
14			
15			
16			
17			
18			
19			
20			
21			
22			
23			
24			
25			
26			
27			
28			



LS 17961700 **B**  
 ASSY REV

V90

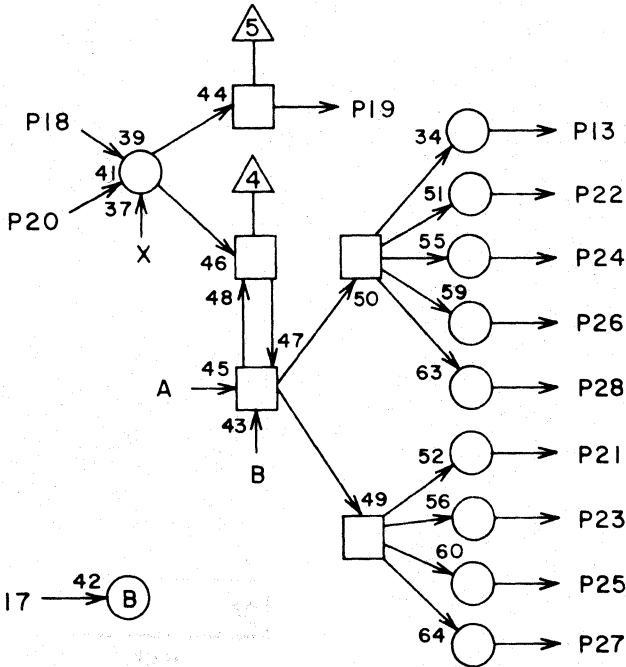
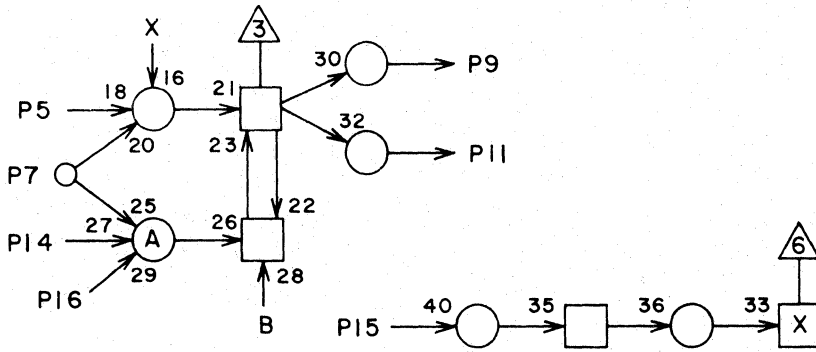
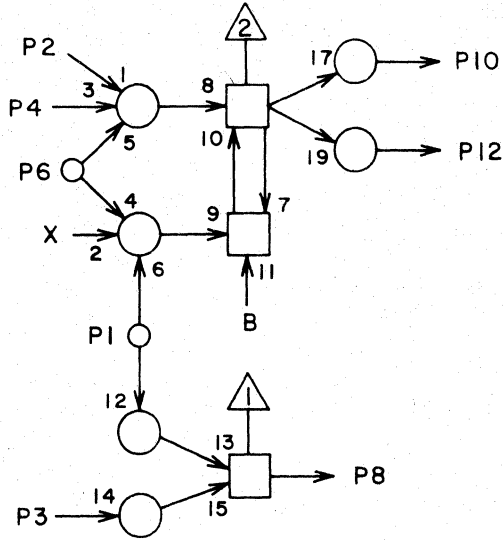


1			
2			
3			
4			
5			
6			
7			
8			
9			
10			
11			
12			
13			
14			
15			
16			
17			
18			
19			
20			
21			
22			
23			
24			
25			
26			
27			
28			

JACK PIN LG

60042700 Rev. K

CIRCUIT SPECIFICATION 11827600

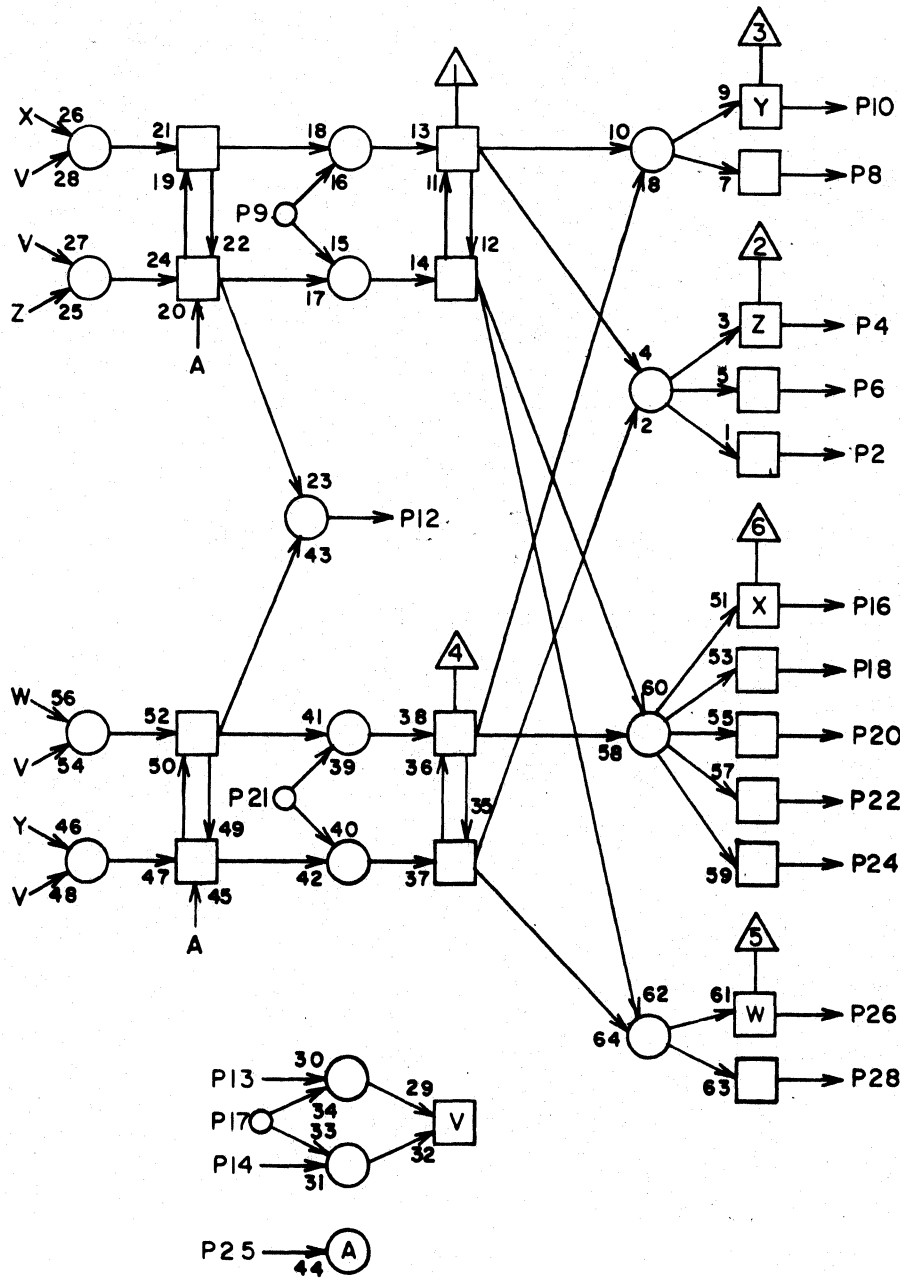


1			
2			
3			
4			
5			
6			
7			
8			
9			
10			
11			
12			
13			
14			
15			
16			
17			
18			
19			
20			
21			
22			
23			
24			
25			
26			
27			
28			

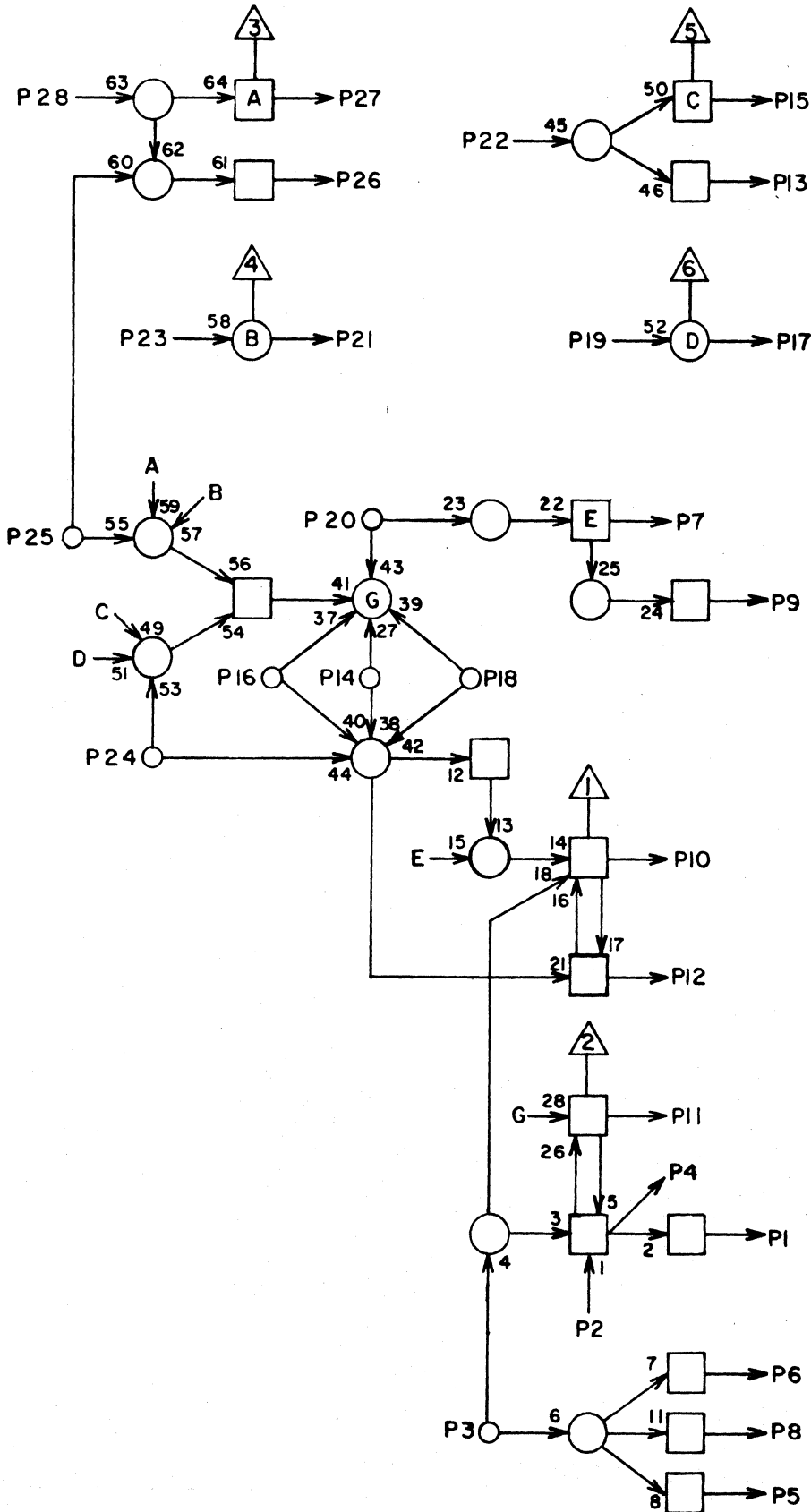
JACK PIN LG







1			
2			
3			
4			
5			
6			
7			
8			
9			
10			
11			
12			
13			
14			
15			
16			
17			
18			
19			
20			
21			
22			
23			
24			
25			
26			
27			
28			



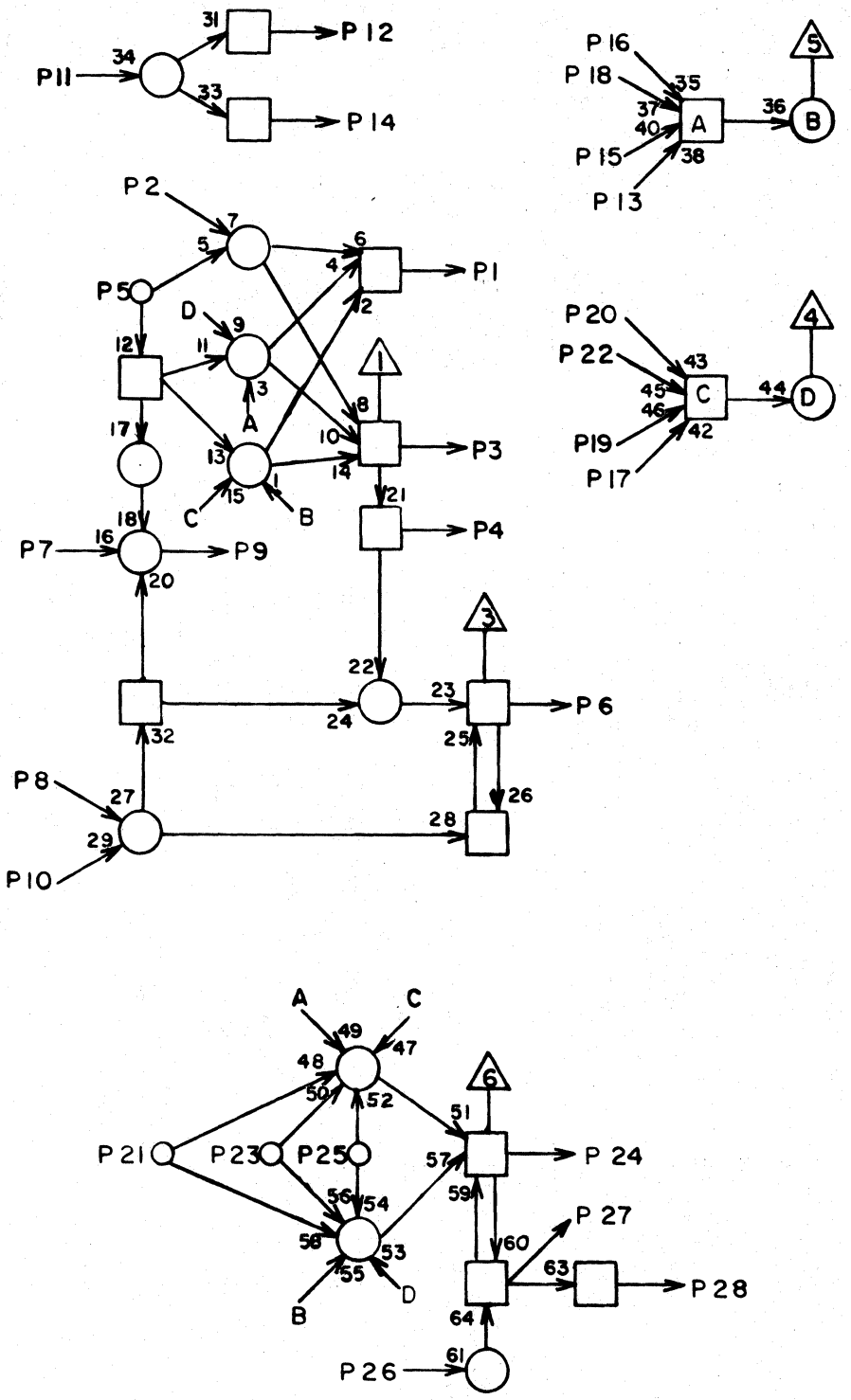
1			
2			
3			
4			
5			
6			
7			
8			
9			
10			
11			
12			
13			
14			
15			
16			
17			
18			
19			
20			
21			
22			
23			
24			
25			
26			
27			
28			

JACK PIN LG

LS 17962700 **C**

ASSY REV

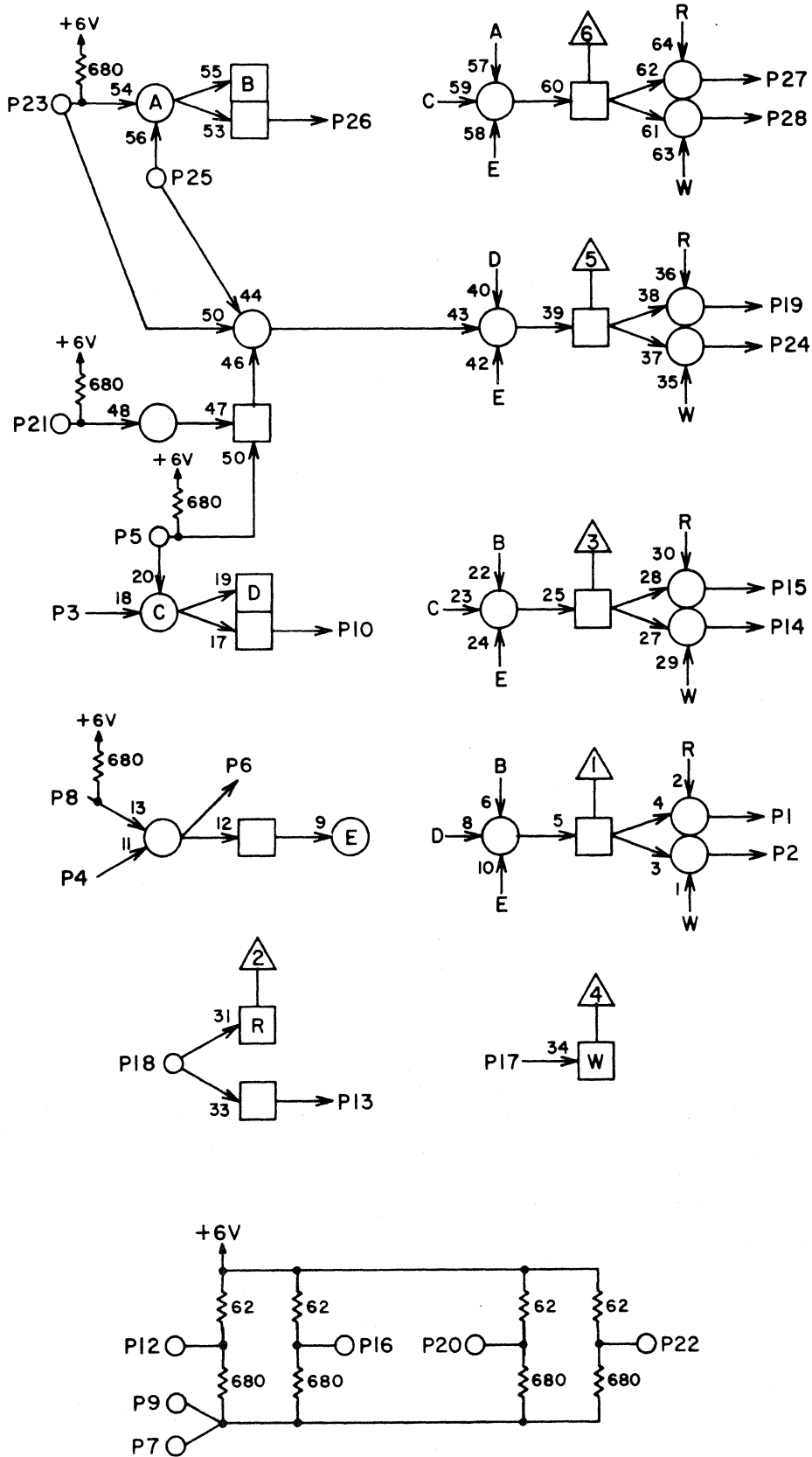
V 95



1			
2			
3			
4			
5			
6			
7			
8			
9			
10			
11			
12			
13			
14			
15			
16			
17			
18			
19			
20			
21			
22			
23			
24			
25			
26			
27			
28			

CIRCUIT SPECIFICATION 11827600  
60042700 Rev AB

JACK PIN LG

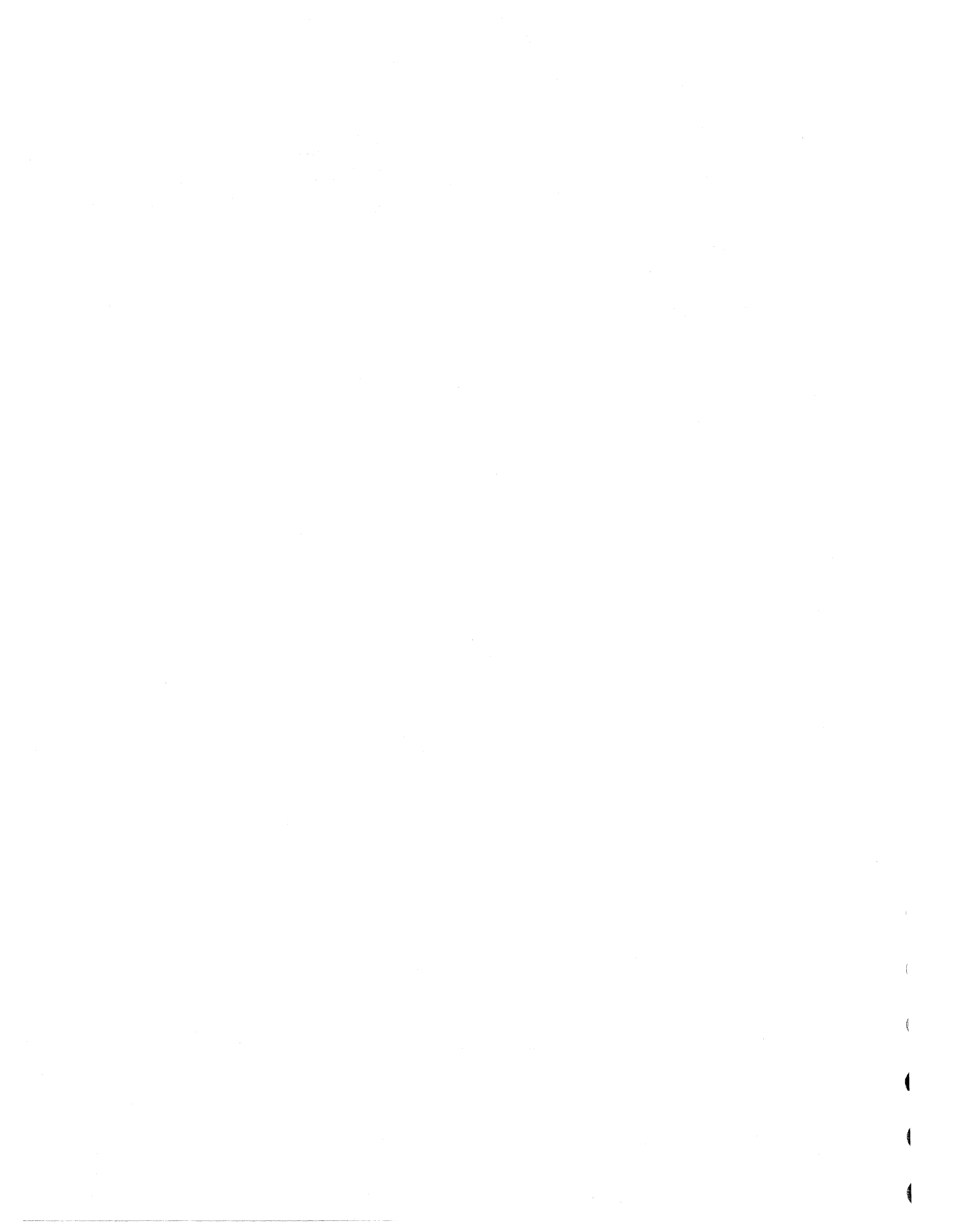


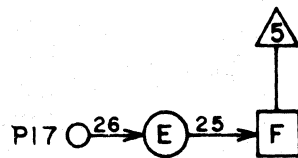
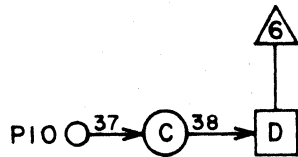
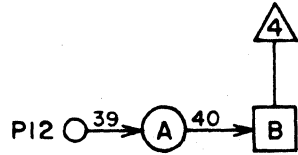
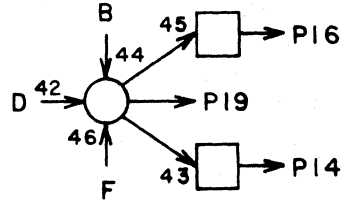
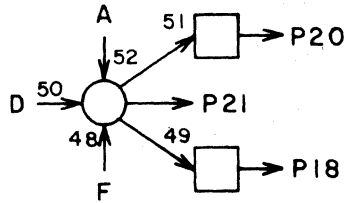
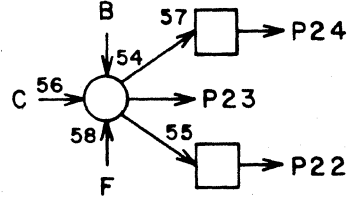
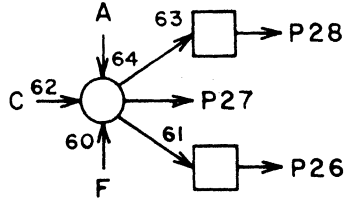
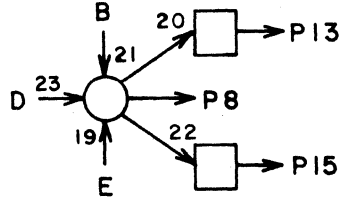
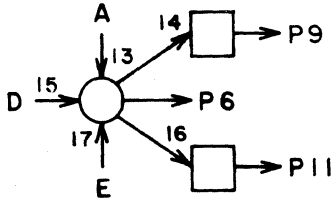
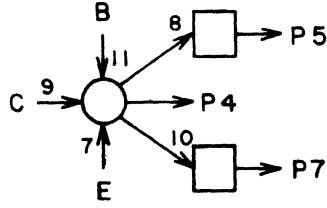
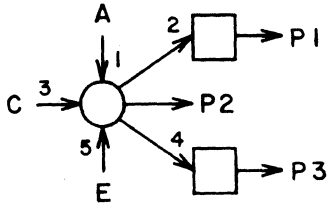
1			
2			
3			
4			
5			
6			
7			
8			
9			
10			
11			
12			
13			
14			
15			
16			
17			
18			
19			
20			
21			
22			
23			
24			
25			
26			
27			
28			

JACK PIN LG

CIRCUIT SPECIFICATION

11827600  
52000027  
60042700 Rev. P





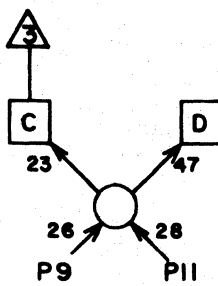
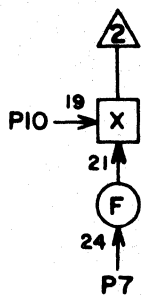
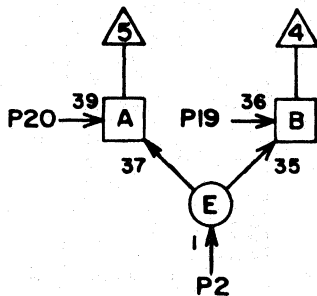
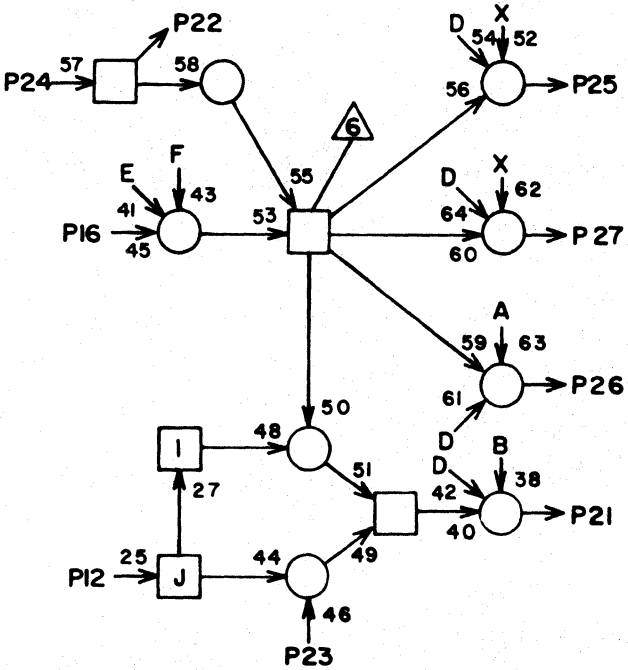
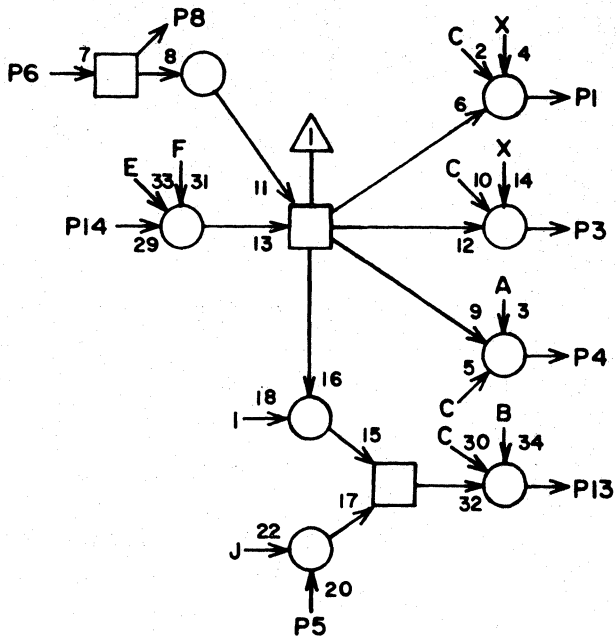
1			
2			
3			
4			
5			
6			
7			
8			
9			
10			
11			
12			
13			
14			
15			
16			
17			
18			
19			
20			
21			
22			
23			
24			
25			
26			
27			
28			

JACK PIN LG  
CIRCUIT SPECIFICATION 11827600

LS 17829900  
ASSY

**C**  
REV

WB



1			
2			
3			
4			
5			
6			
7			
8			
9			
10			
11			
12			
13			
14			
15			
16			
17			
18			
19			
20			
21			
22			
23			
24			
25			
26			
27			
28			

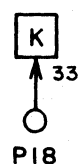
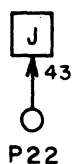
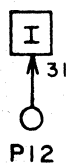
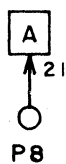
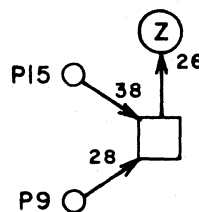
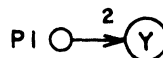
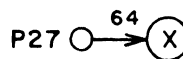
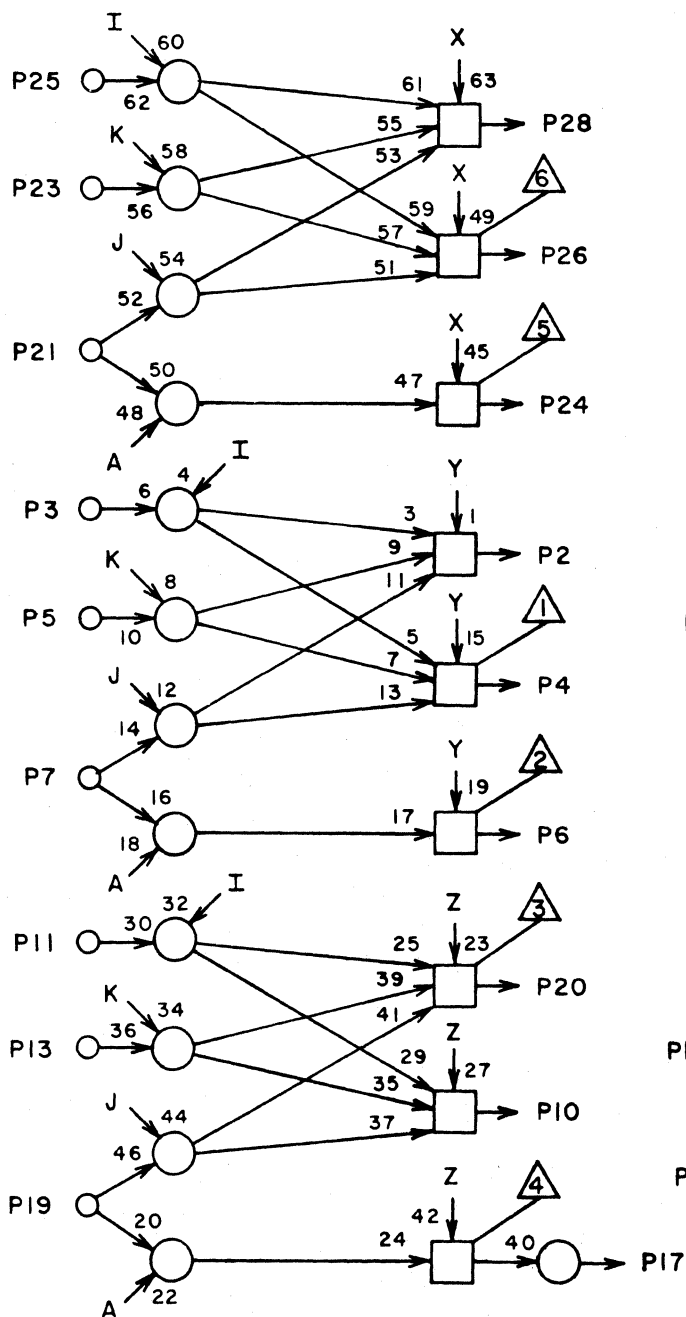
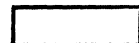
JACK PIN LG  
60042700 Rev. K  
CIRCUIT SPECIFICATION  
11827600



LSI7830100  
ASSY

**B**  
REV

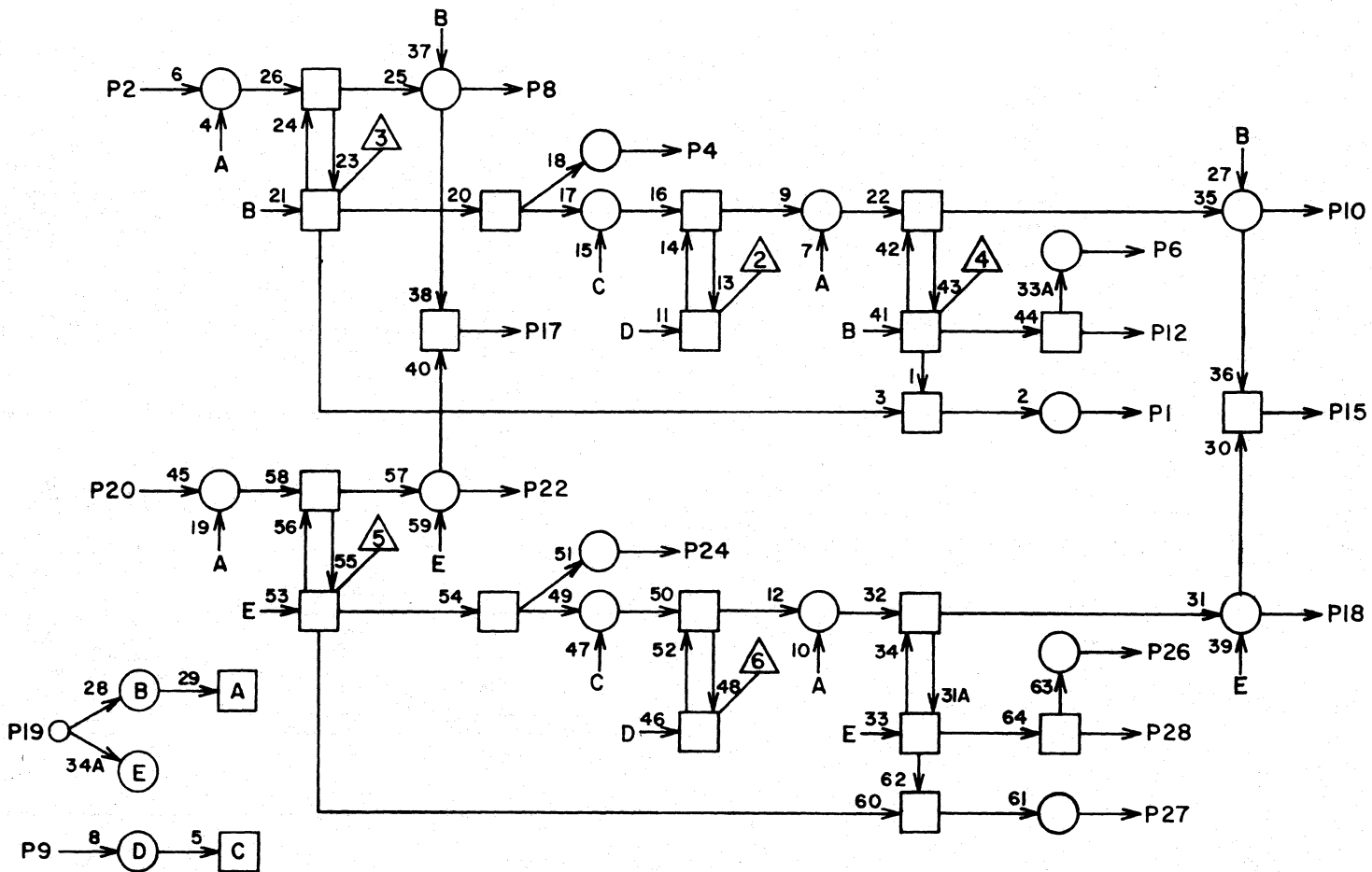
WC



1			
2			
3			
4			
5			
6			
7			
8			
9			
10			
11			
12			
13			
14			
15			
16			
17			
18			
19			
20			
21			
22			
23			
24			
25			
26			
27			
28			

JACK PIN LG

60042700 Rev. K  
CIRCUIT SPECIFICATION  
11827600



WD

JACK	PIN	LG
	1	
	2	
	3	
	4	
	5	
	6	
	7	
	8	
	9	
	10	
	11	
	12	
	13	
	14	
	15	
	16	
	17	
	18	
	19	
	20	
	21	
	22	
	23	
	24	
	25	
	26	
	27	
	28	

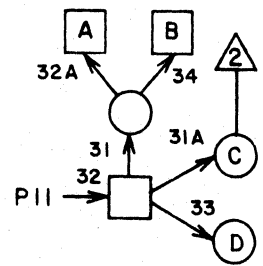
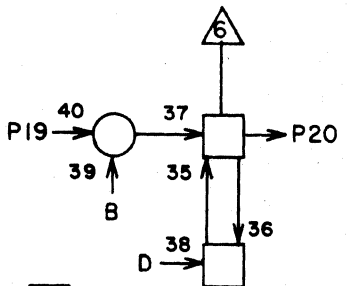
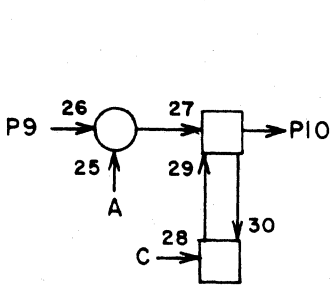
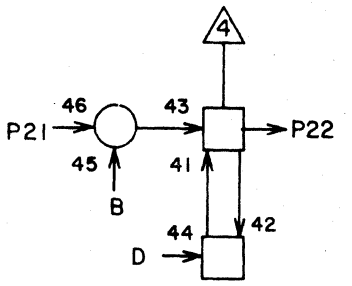
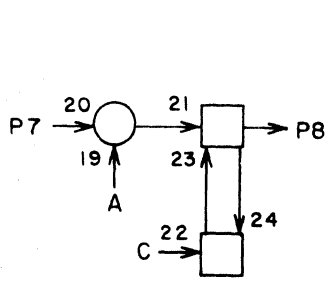
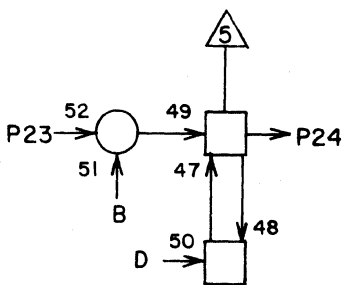
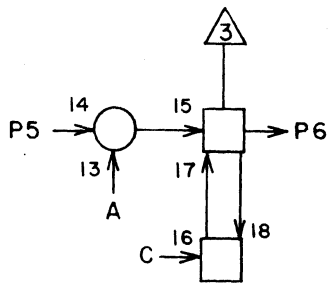
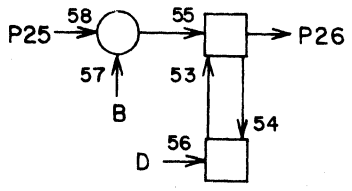
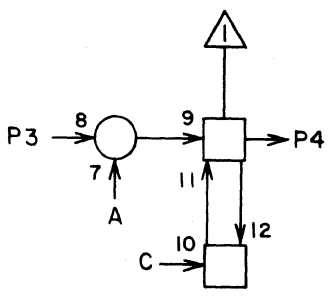
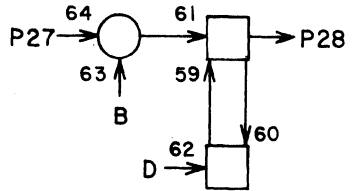
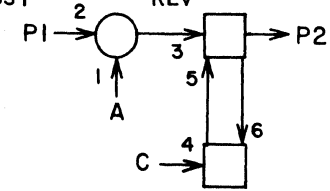
CIRCUIT SPECIFICATION  
 60042700 Rev. K  
 11827600

LSI7830500

ASSY

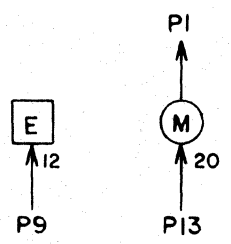
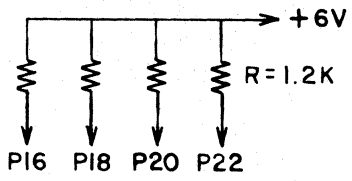
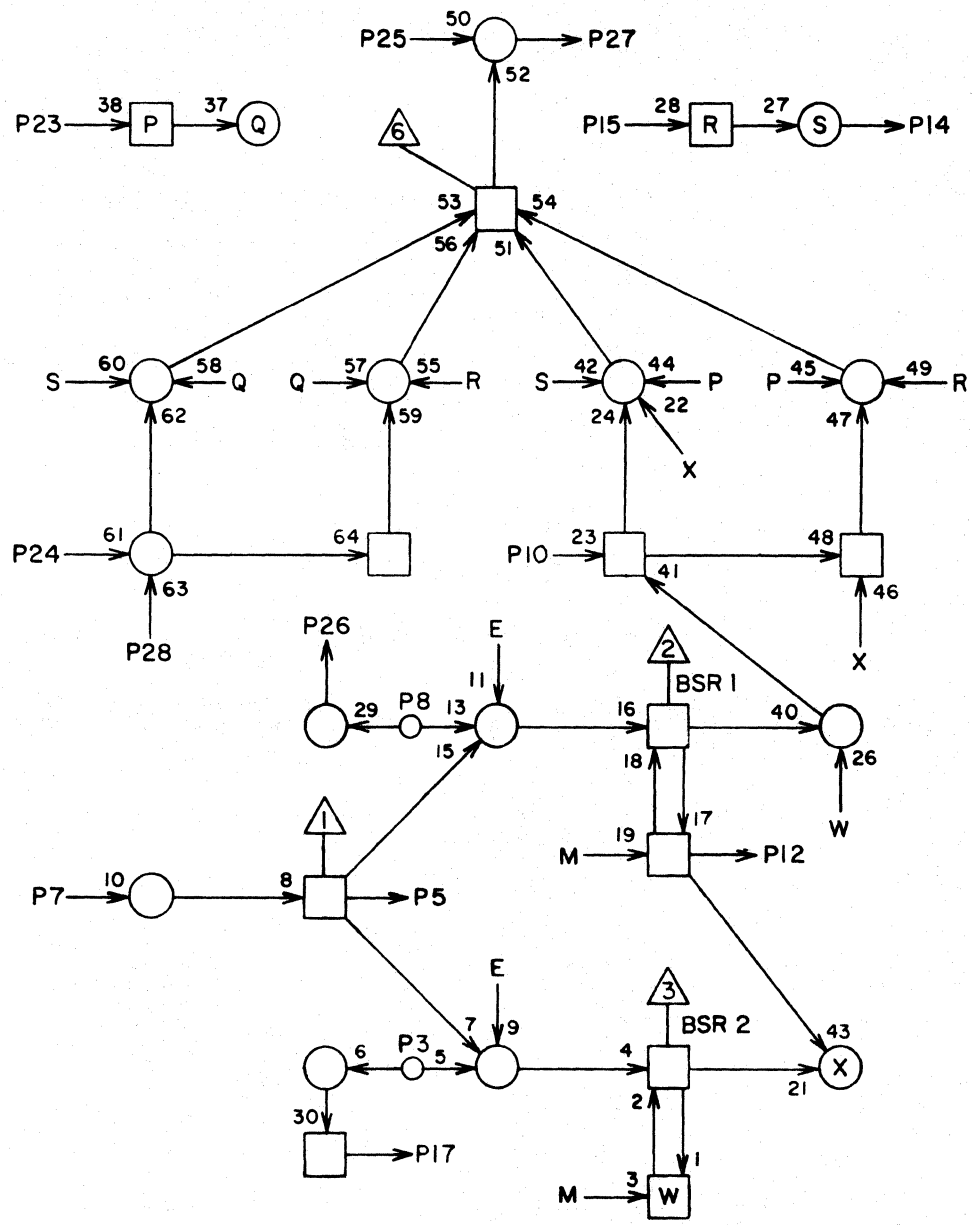
**B**  
REV

WE

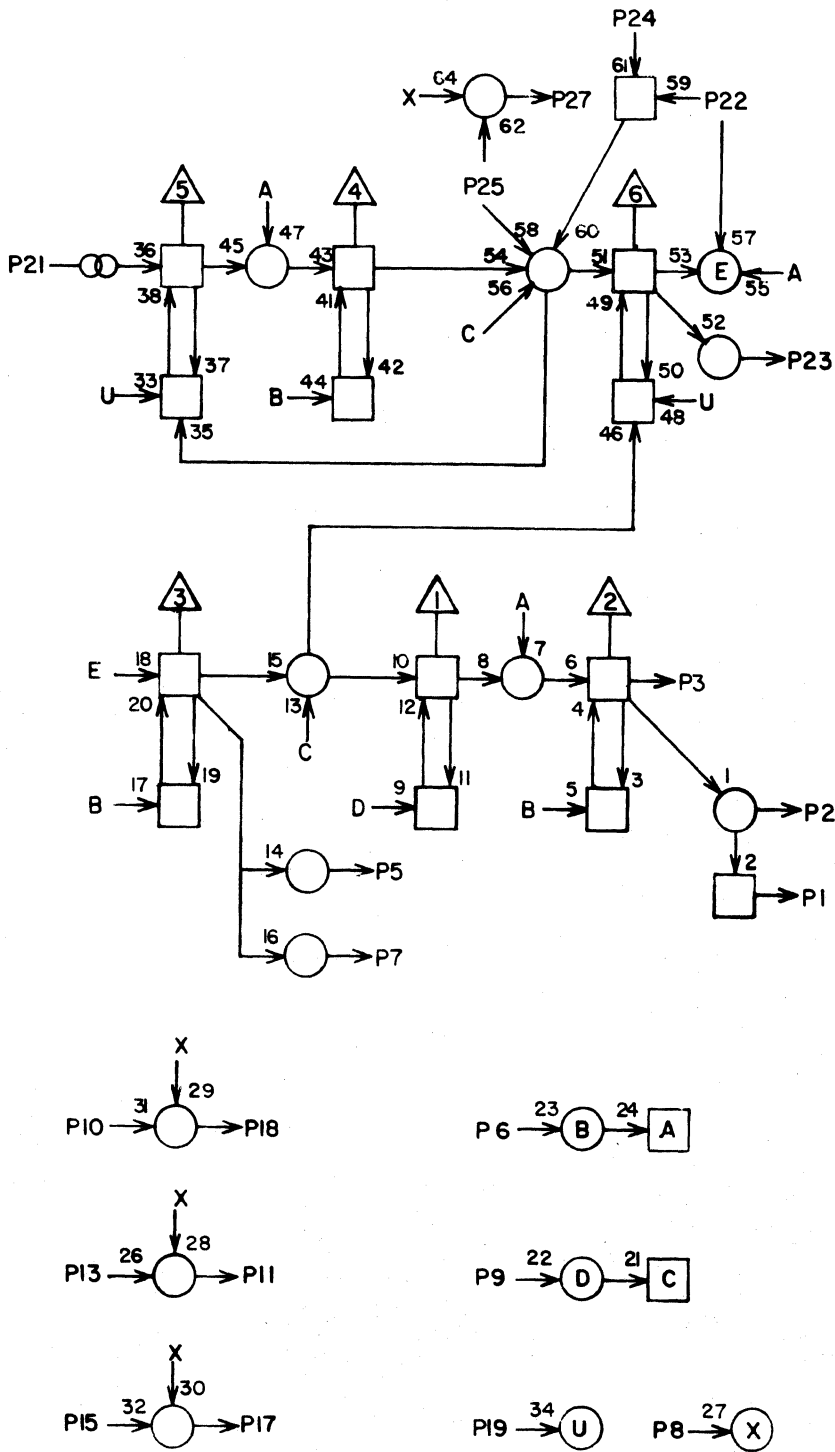
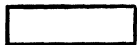


1			
2			
3			
4			
5			
6			
7			
8			
9			
10			
11			
12			
13			
14			
15			
16			
17			
18			
19			
20			
21			
22			
23			
24			
25			
26			
27			
28			

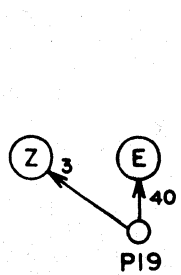
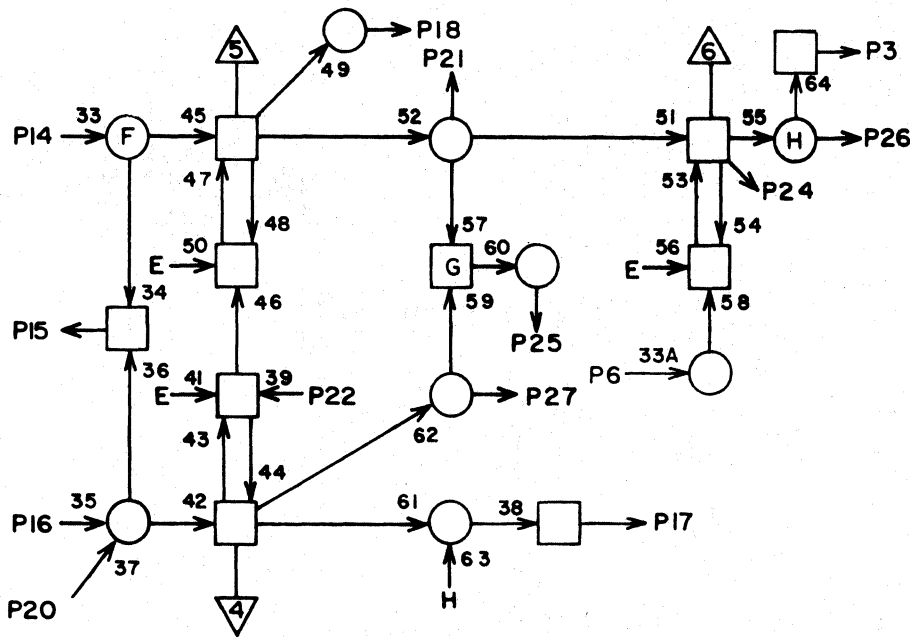
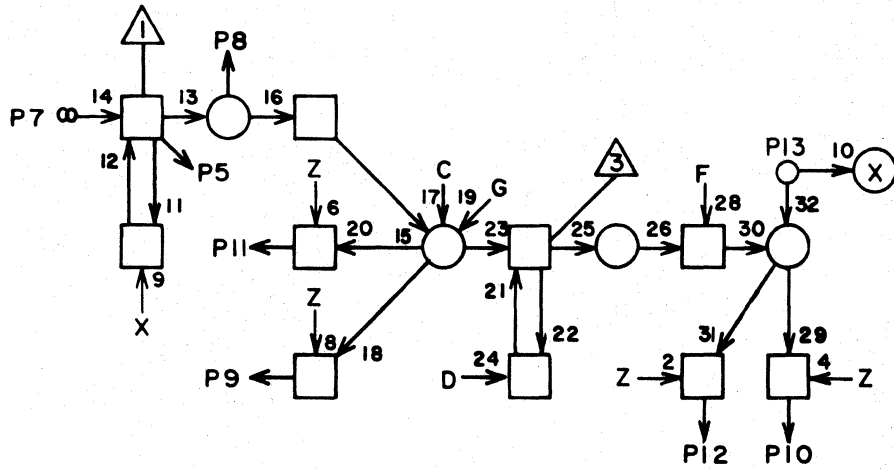
JACK PIN LG  
60042700 Rev. K  
CIRCUIT SPECIFICATION  
11827600



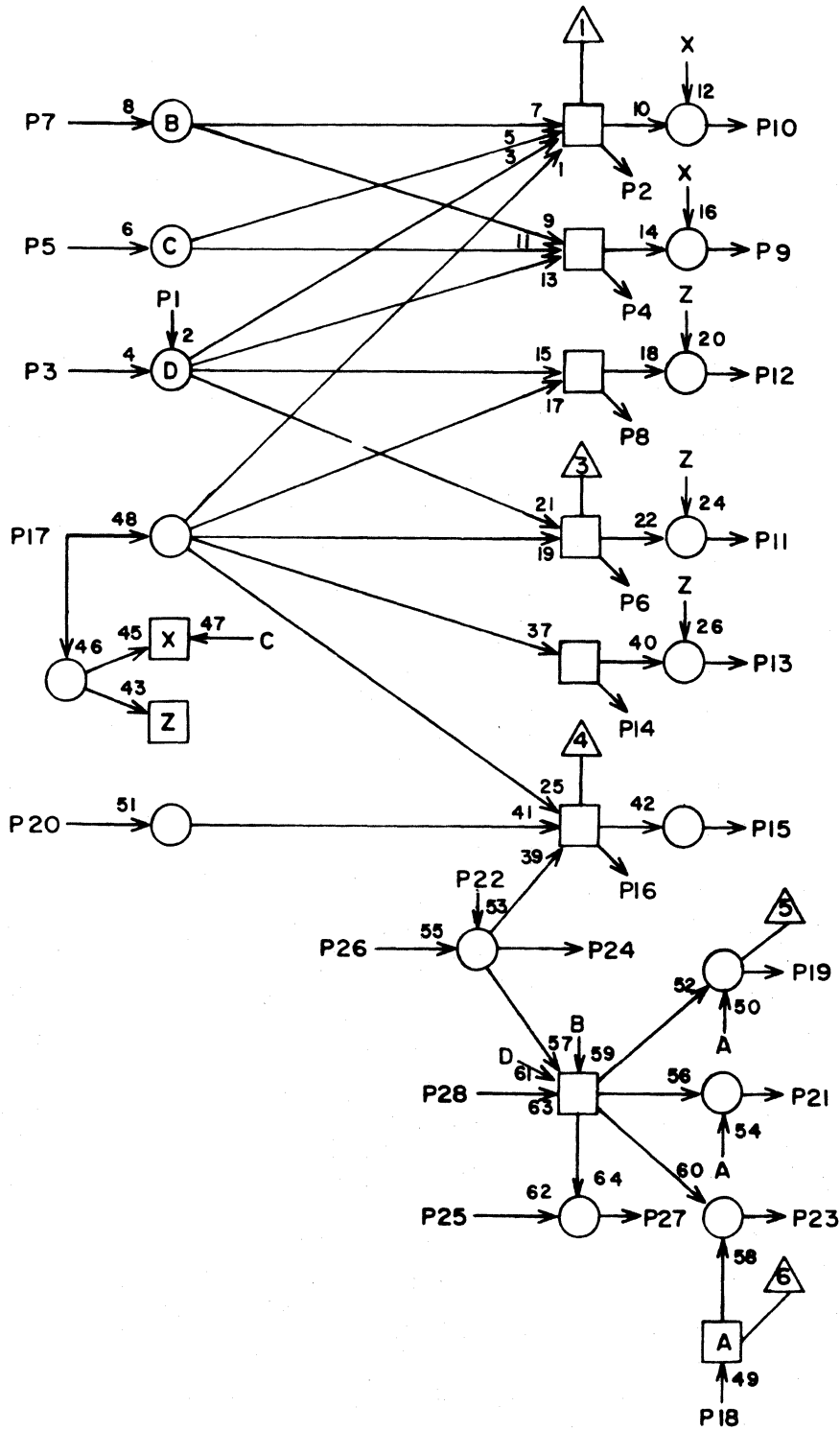
1			
2			
3			
4			
5			
6			
7			
8			
9			
10			
11			
12			
13			
14			
15			
16			
17			
18			
19			
20			
21			
22			
23			
24			
25			
26			
27			
28			



JACK PIN LG

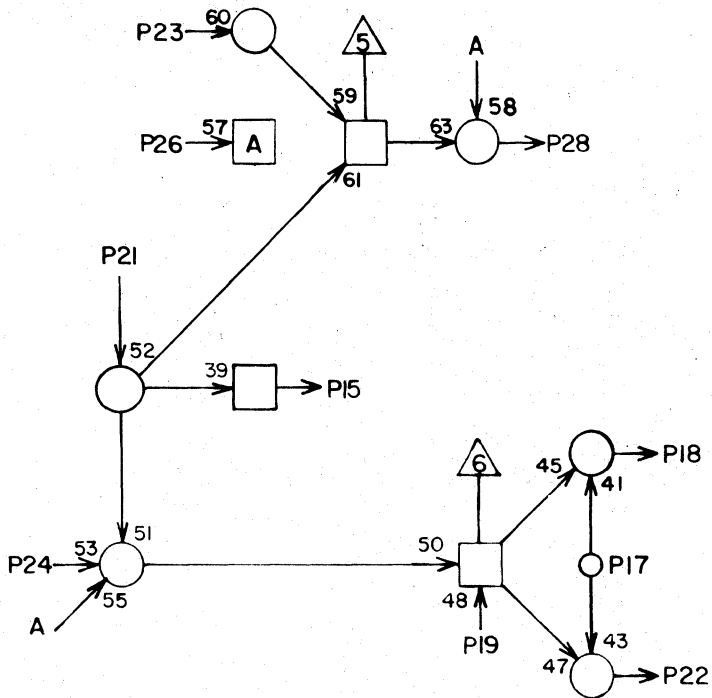
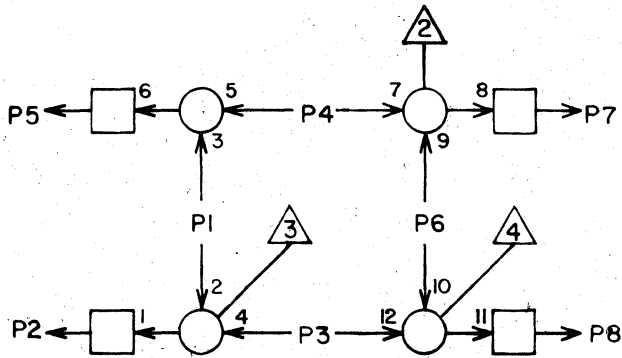
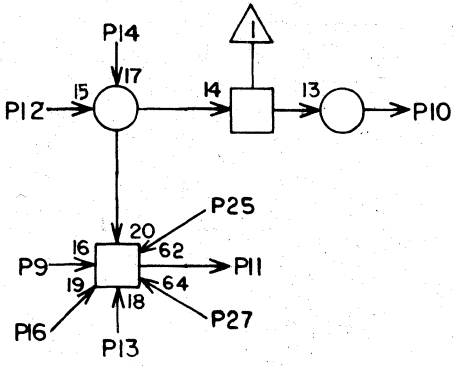


1			
2			
3			
4			
5			
6			
7			
8			
9			
10			
11			
12			
13			
14			
15			
16			
17			
18			
19			
20			
21			
22			
23			
24			
25			
26			
27			
28			



1			
2			
3			
4			
5			
6			
7			
8			
9			
10			
11			
12			
13			
14			
15			
16			
17			
18			
19			
20			
21			
22			
23			
24			
25			
26			
27			
28			

JACK PIN LG



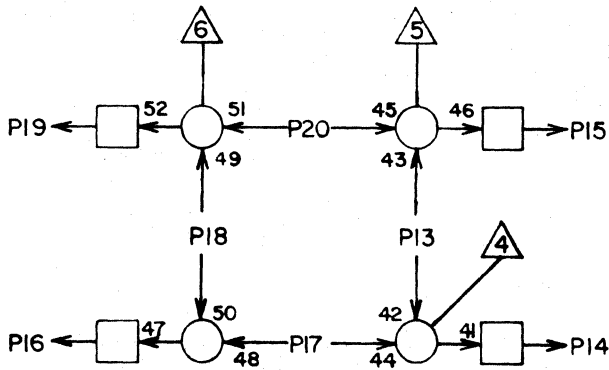
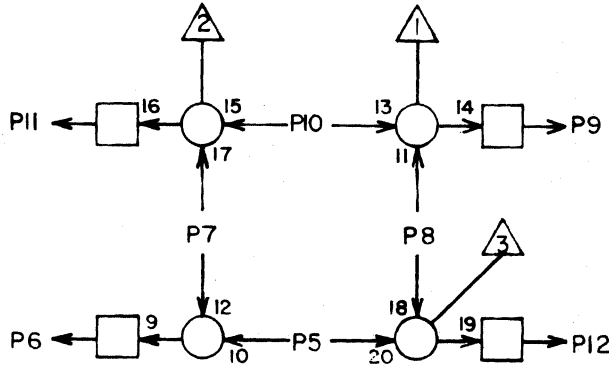
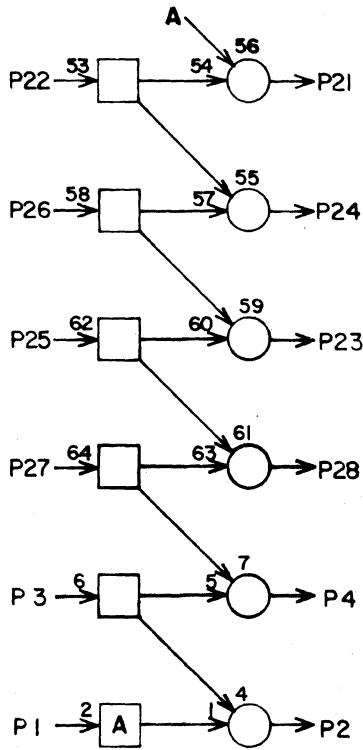
1			
2			
3			
4			
5			
6			
7			
8			
9			
10			
11			
12			
13			
14			
15			
16			
17			
18			
19			
20			
21			
22			
23			
24			
25			
26			
27			
28			



LS 17831700  
ASSY

**B**  
REV

WK



1			
2			
3			
4			
5			
6			
7			
8			
9			
10			
11			
12			
13			
14			
15			
16			
17			
18			
19			
20			
21			
22			
23			
24			
25			
26			
27			
28			

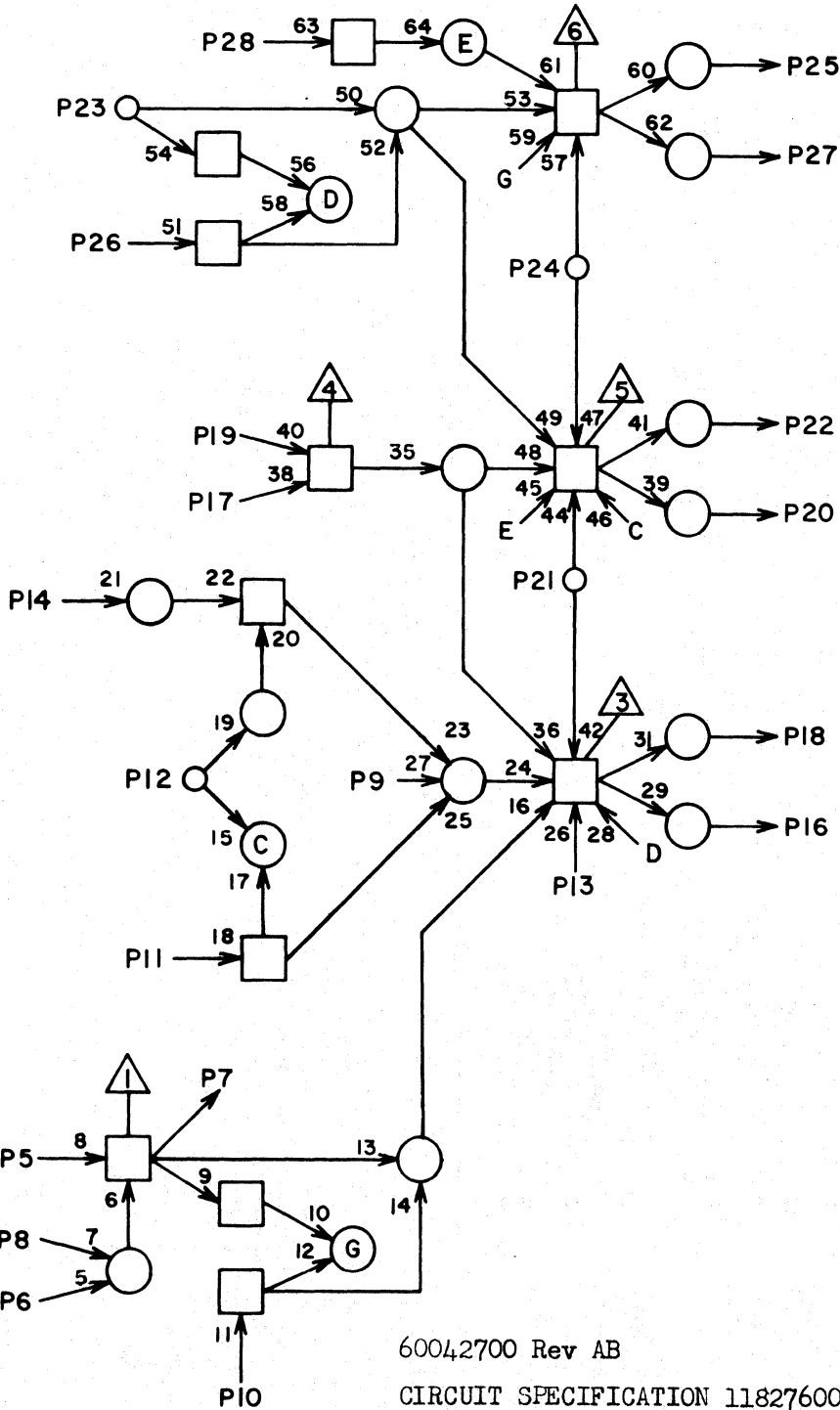
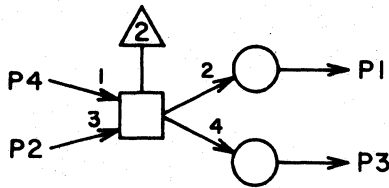
JACK PIN LG

60042700 Rev. K  
CIRCUIT SPECIFICATION  
11827600

LS 17831900  
ASSY

C  
REV

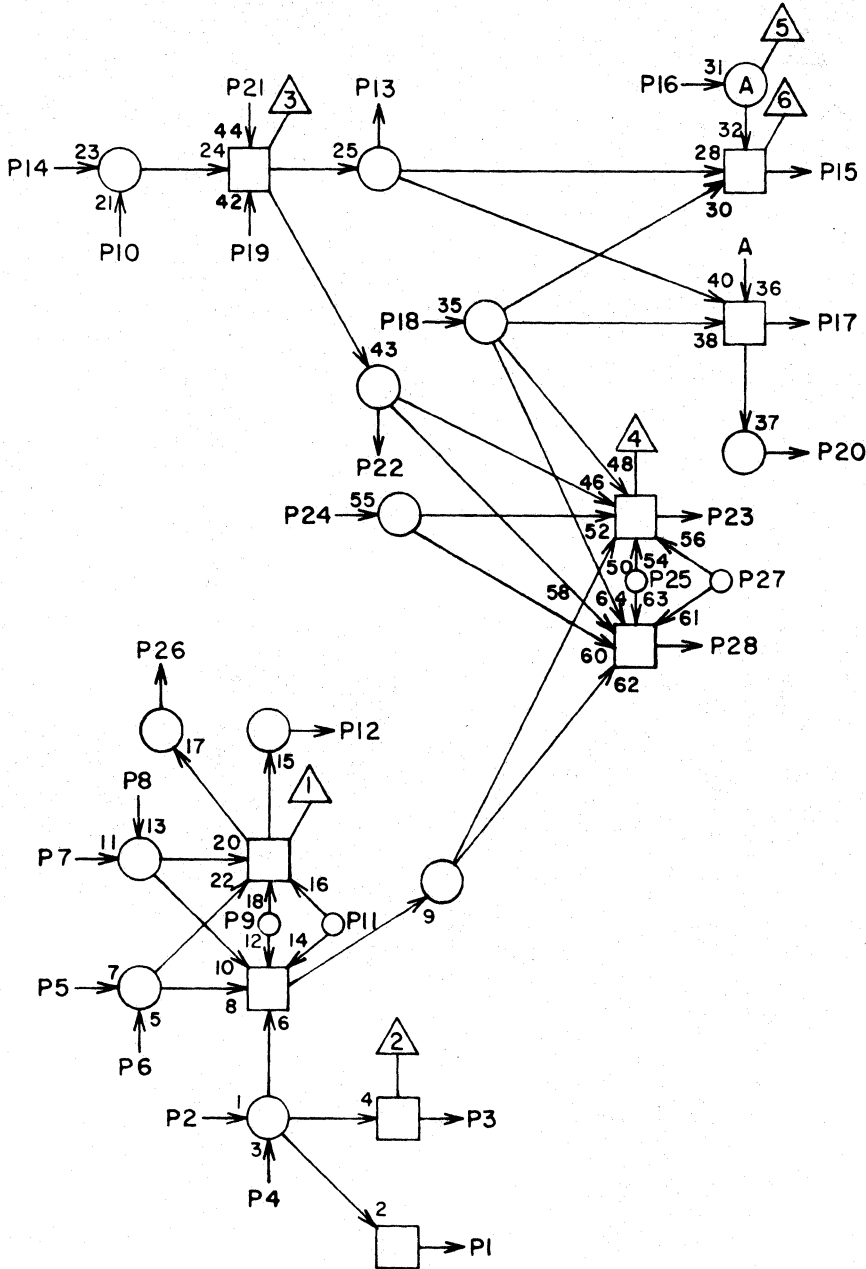
WL



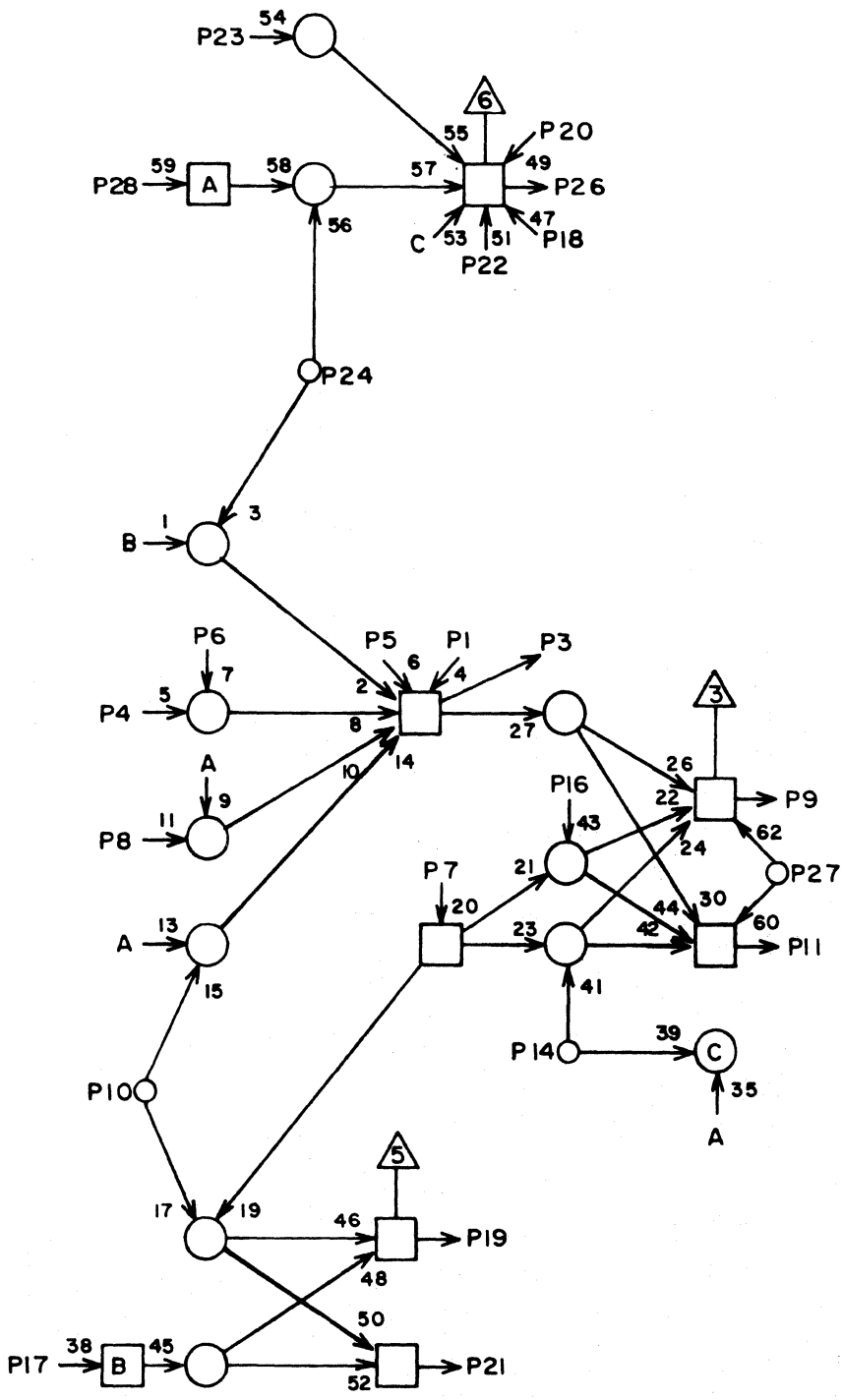
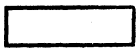
1			
2			
3			
4			
5			
6			
7			
8			
9			
10			
11			
12			
13			
14			
15			
16			
17			
18			
19			
20			
21			
22			
23			
24			
25			
26			
27			
28			

JACK      PIN      LG





1			
2			
3			
4			
5			
6			
7			
8			
9			
10			
11			
12			
13			
14			
15			
16			
17			
18			
19			
20			
21			
22			
23			
24			
25			
26			
27			
28			



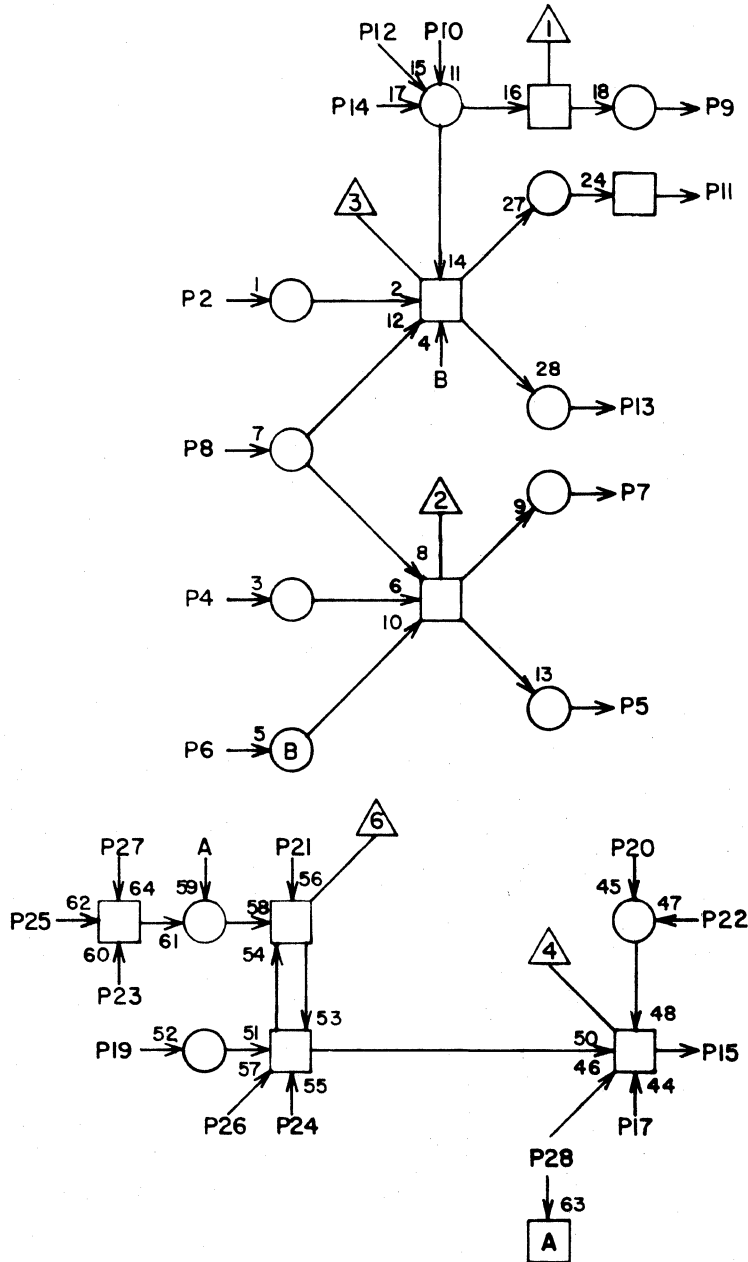
1			
2			
3			
4			
5			
6			
7			
8			
9			
10			
11			
12			
13			
14			
15			
16			
17			
18			
19			
20			
21			
22			
23			
24			
25			
26			
27			
28			



LS 17832900  
ASSY

**B**  
REV

WQ

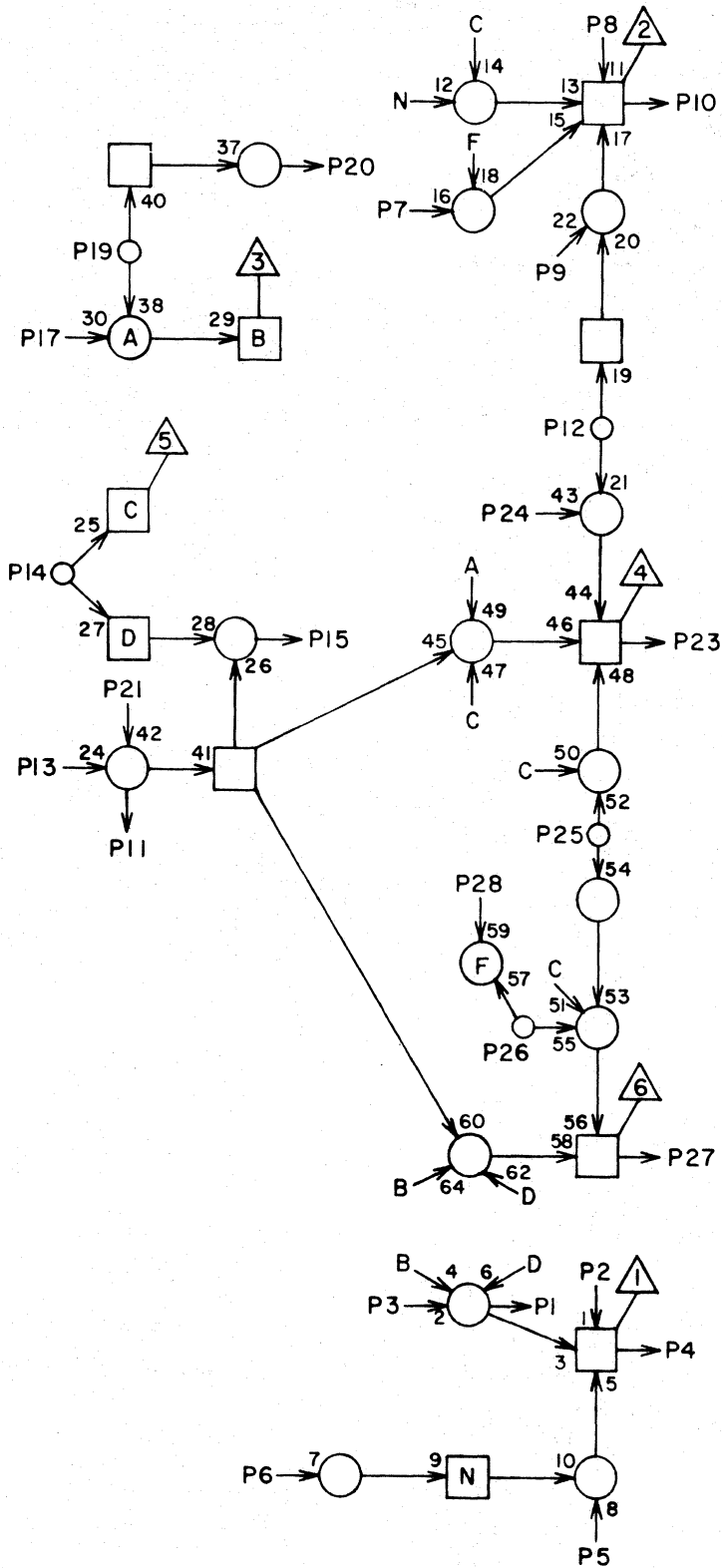


1			
2			
3			
4			
5			
6			
7			
8			
9			
10			
11			
12			
13			
14			
15			
16			
17			
18			
19			
20			
21			
22			
23			
24			
25			
26			
27			
28			

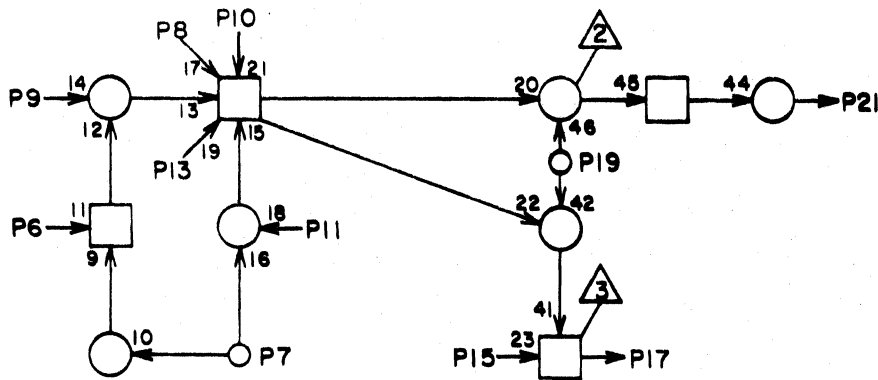
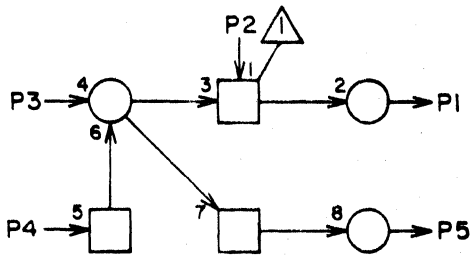
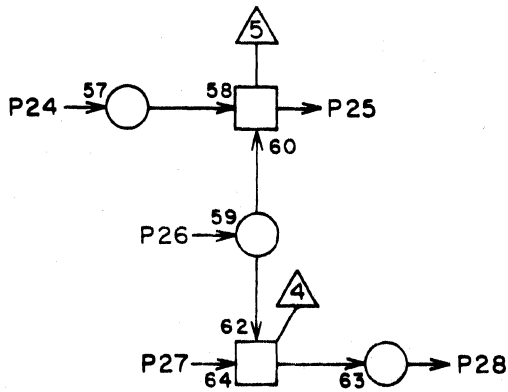
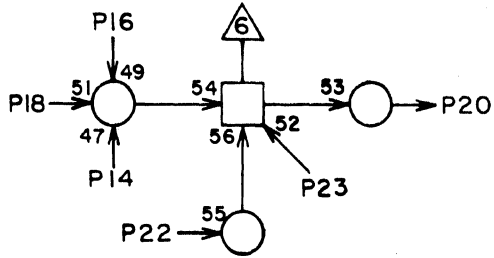








1			
2			
3			
4			
5			
6			
7			
8			
9			
10			
11			
12			
13			
14			
15			
16			
17			
18			
19			
20			
21			
22			
23			
24			
25			
26			
27			
28			



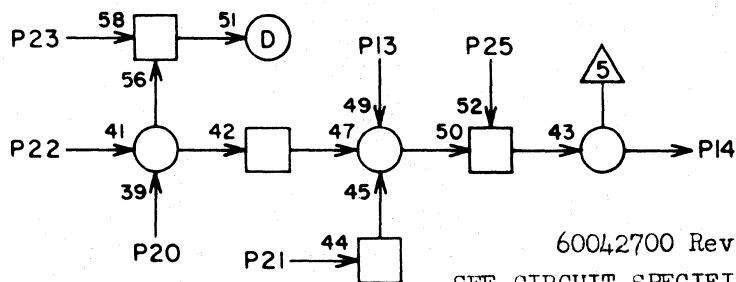
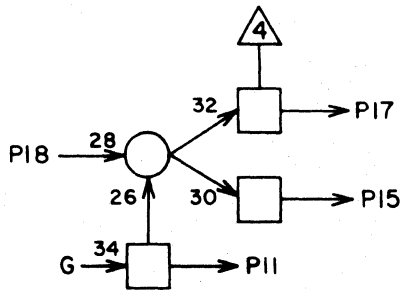
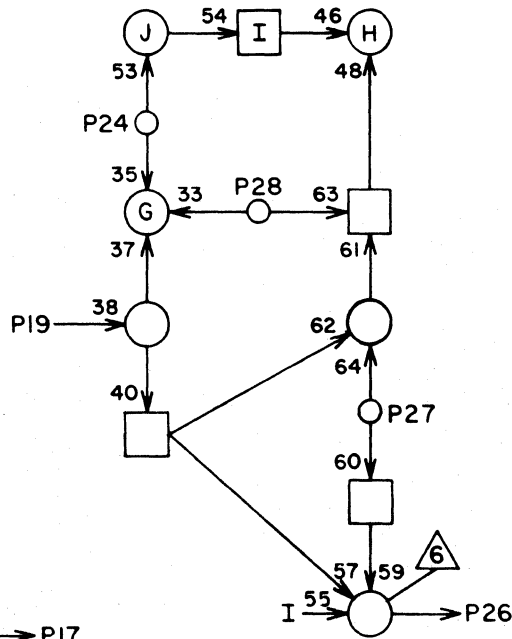
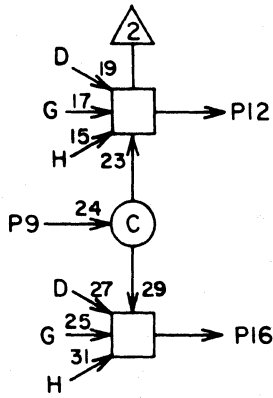
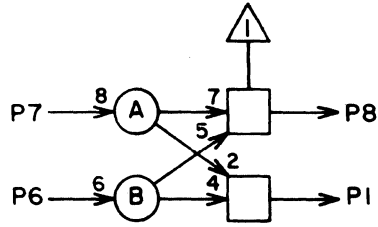
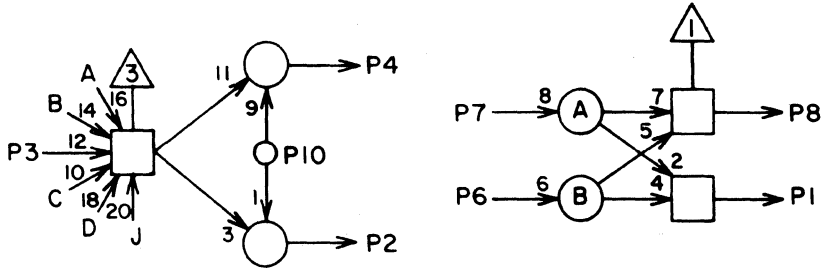
1			
2			
3			
4			
5			
6			
7			
8			
9			
10			
11			
12			
13			
14			
15			
16			
17			
18			
19			
20			
21			
22			
23			
24			
25			
26			
27			
28			



LS 17834100  
ASSY

**B**  
REV

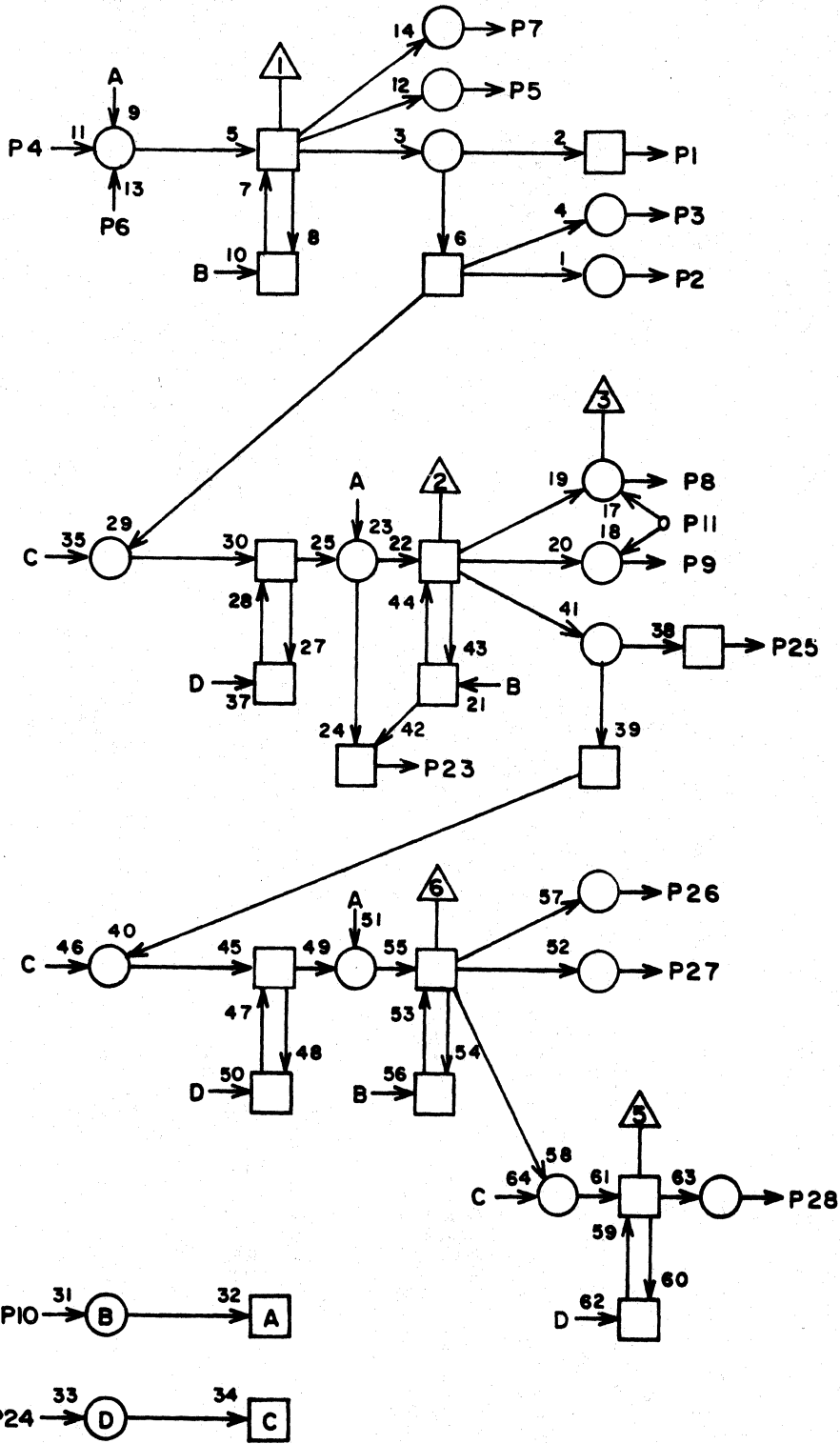
WW



60042700 Rev AB  
SEE CIRCUIT SPECIFICATION  
11827600

1			
2			
3			
4			
5			
6			
7			
8			
9			
10			
11			
12			
13			
14			
15			
16			
17			
18			
19			
20			
21			
22			
23			
24			
25			
26			
27			
28			

JACK PIN LG



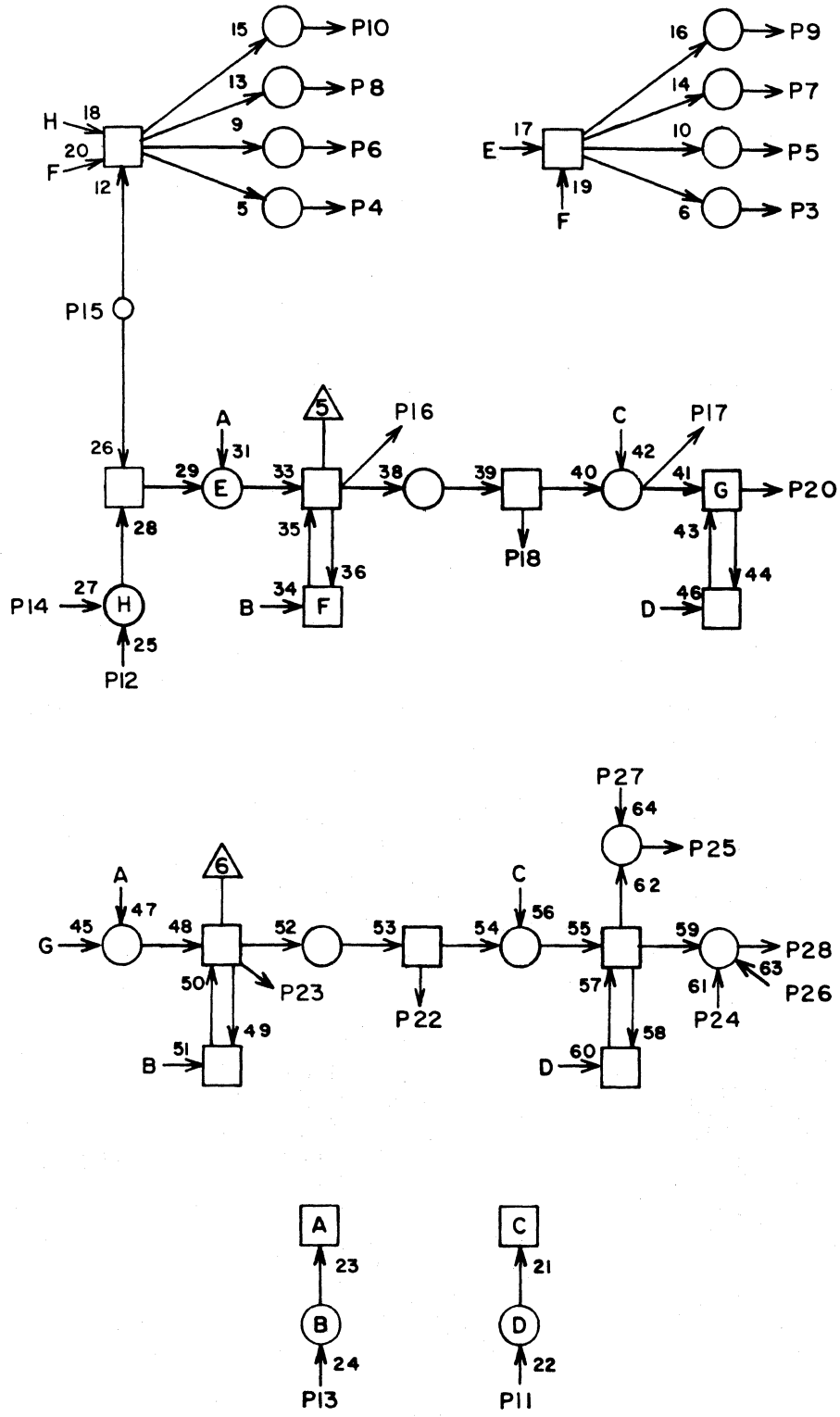
1			
2			
3			
4			
5			
6			
7			
8			
9			
10			
11			
12			
13			
14			
15			
16			
17			
18			
19			
20			
21			
22			
23			
24			
25			
26			
27			
28			

LS 17834500  
ASSY

**B**  
REV

WY

[ ]



1			
2			
3			
4			
5			
6			
7			
8			
9			
10			
11			
12			
13			
14			
15			
16			
17			
18			
19			
20			
21			
22			
23			
24			
25			
26			
27			
28			

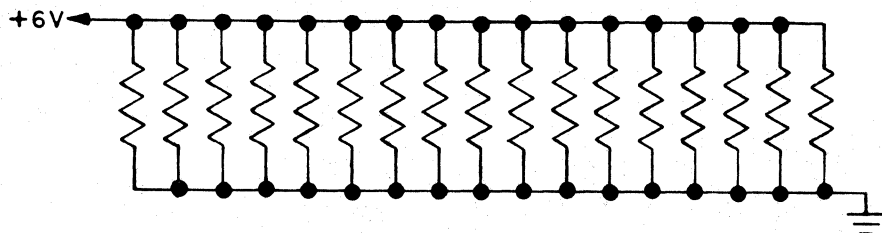
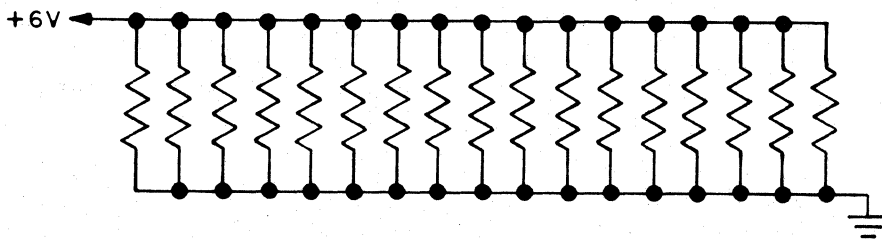
JACK PIN LG

60042700 Rev. K  
CIRCUIT SPECIFICATION 11827600

LSI7834700  
ASSY

**B**  
REV

WZ



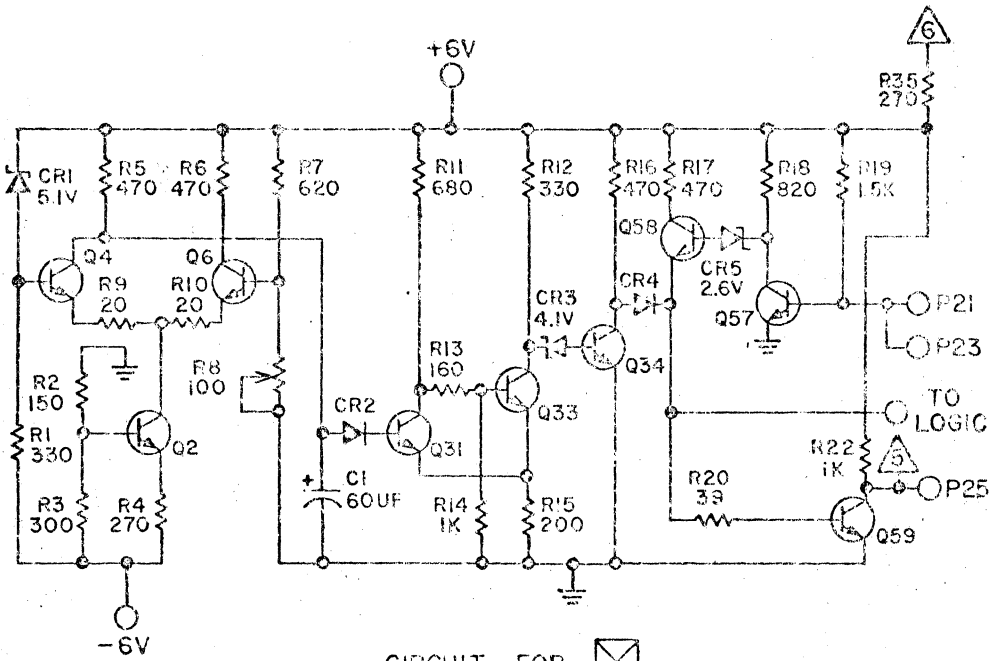
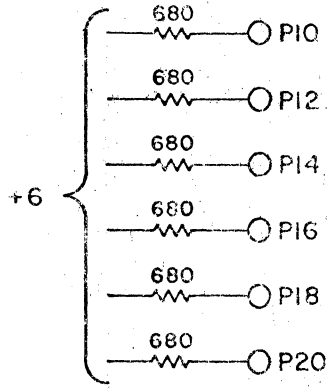
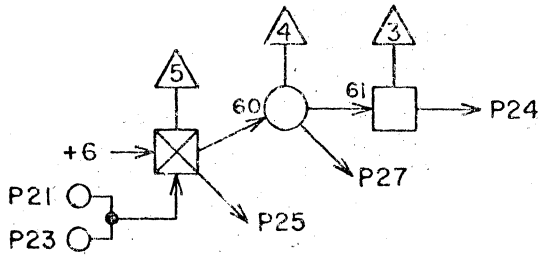
NOTE:  
DISSIPATION 2.60 WATTS  
ALL RESISTORS 470  $\Omega$

1			
2			
3			
4			
5			
6			
7			
8			
9			
10			
11			
12			
13			
14			
15			
16			
17			
18			
19			
20			
21			
22			
23			
24			
25			
26			
27			
28			

JACK PIN LG

CIRCUIT SPECIFICATION I1827600  
60042700 Rev. K





CIRCUIT FOR

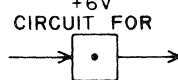
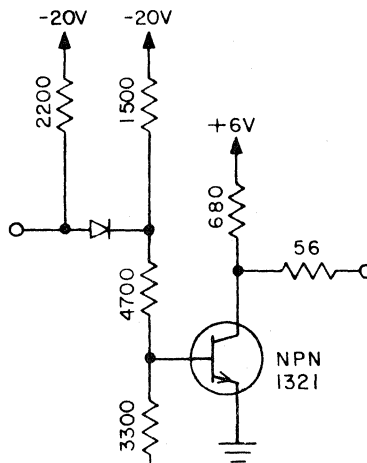
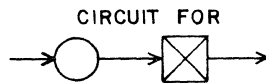
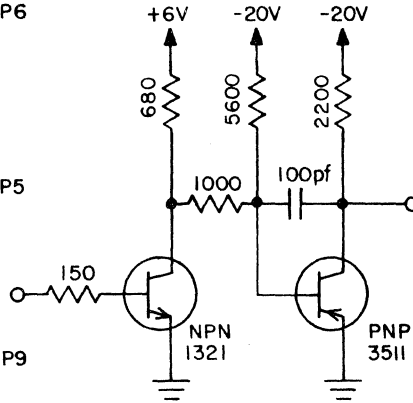
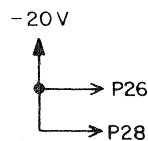
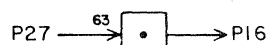
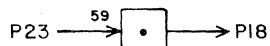
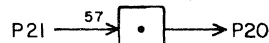
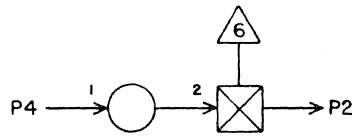
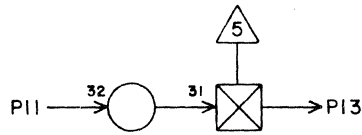
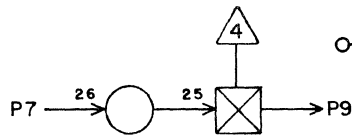
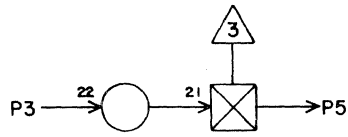
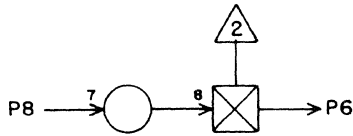
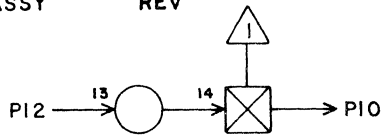
1			
2			
3			
4			
5			
6			
7			
8			
9			
10			
11			
12			
13			
14			
15			
16			
17			
18			
19			
20			
21			
22			
23			
24			
25			
26			
27			
28			



LS 63065000  
ASSY

**E**  
REV

XF  
SPECIAL MODULE

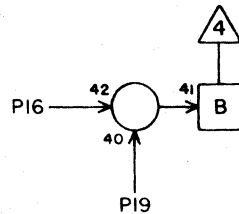
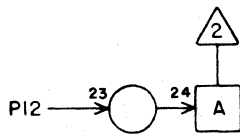
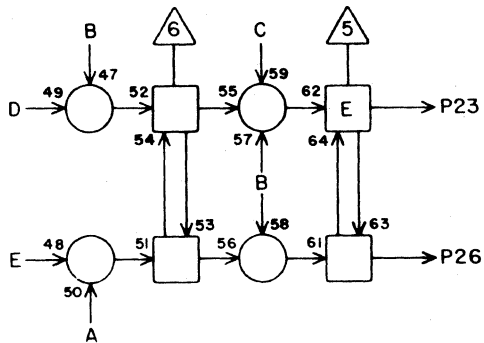
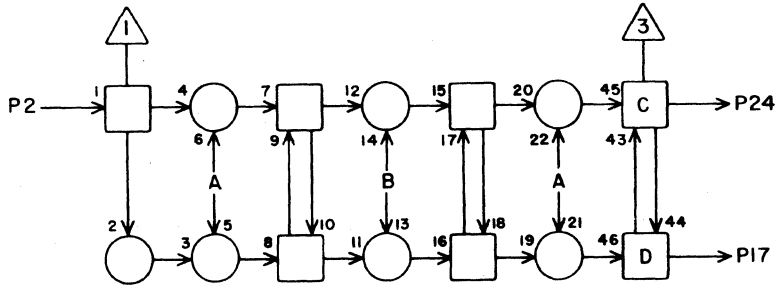
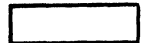


1			
2			
3			
4			
5			
6			
7			
8			
9			
10			
11			
12			
13			
14			
15			
16			
17			
18			
19			
20			
21			
22			
23			
24			
25			
26			
27			
28			

JACK PIN LG

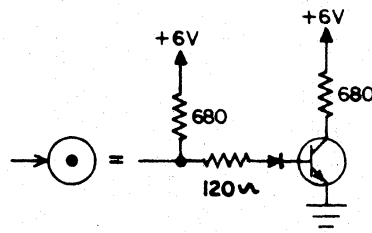
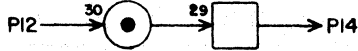
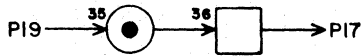
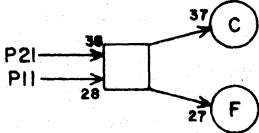
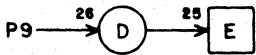
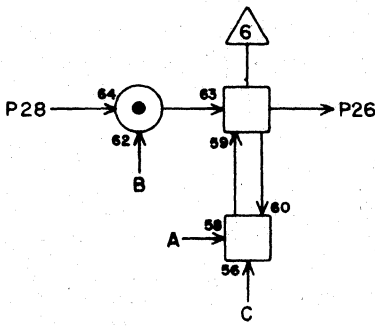
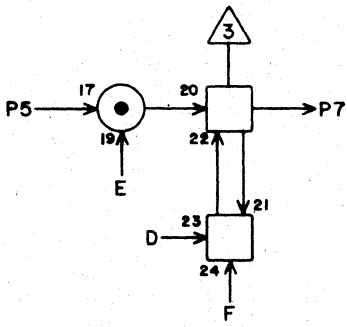
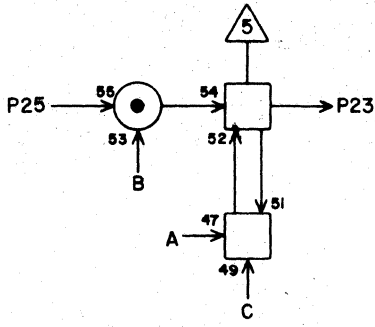
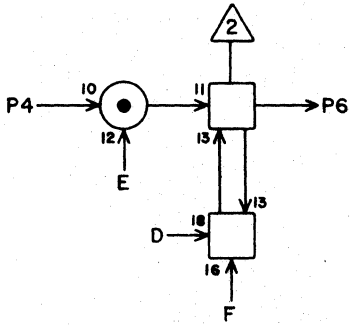
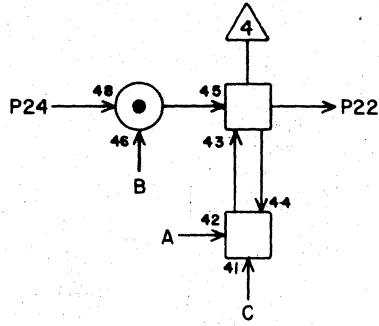
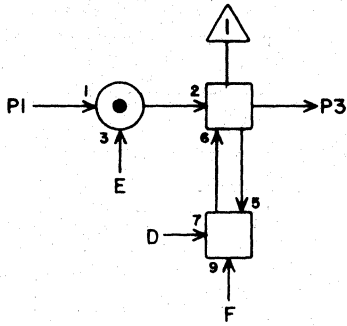
CIRCUIT SPECIFICATION  
60042700 Rev. P





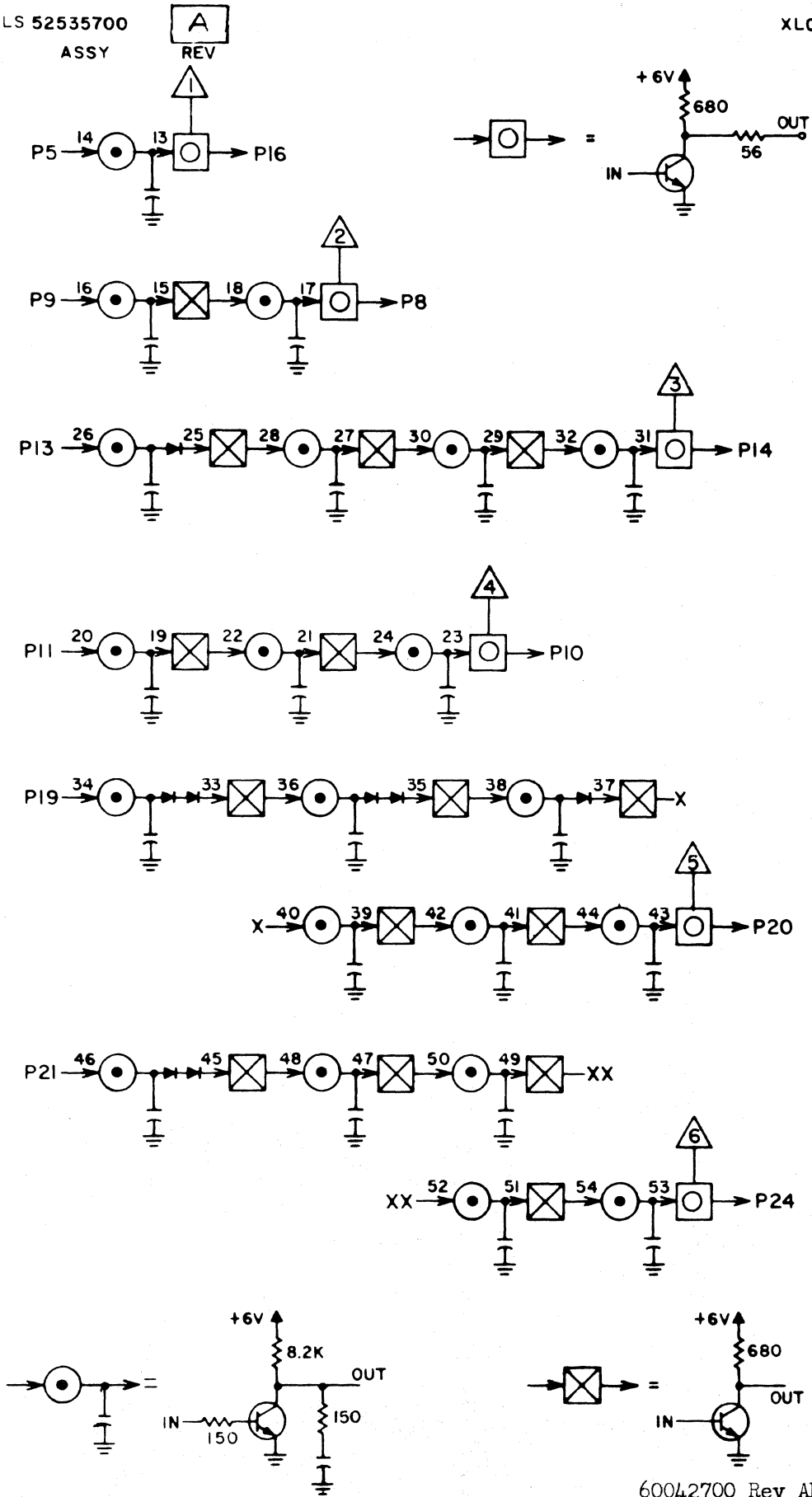
1			
2			
3			
4			
5			
6			
7			
8			
9			
10			
11			
12			
13			
14			
15			
16			
17			
18			
19			
20			
21			
22			
23			
24			
25			
26			
27			
28			

JACK PIN LG



1			
2			
3			
4			
5			
6			
7			
8			
9			
10			
11			
12			
13			
14			
15			
16			
17			
18			
19			
20			
21			
22			
23			
24			
25			
26			
27			
28			

JACK PIN LG



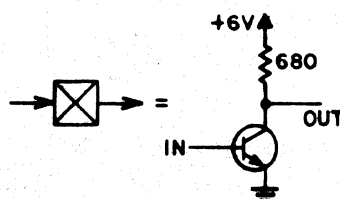
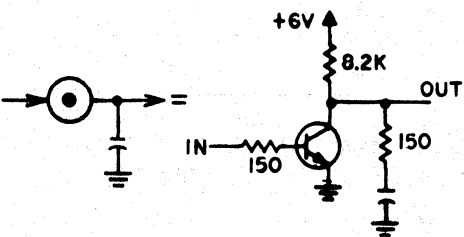
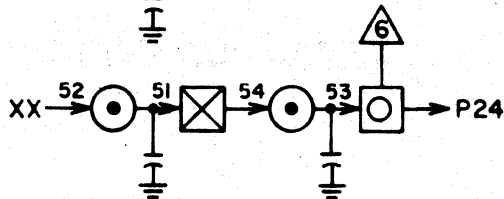
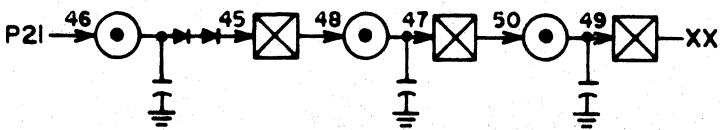
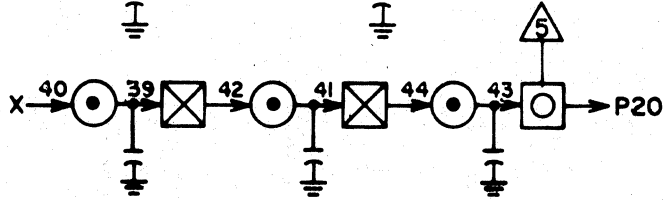
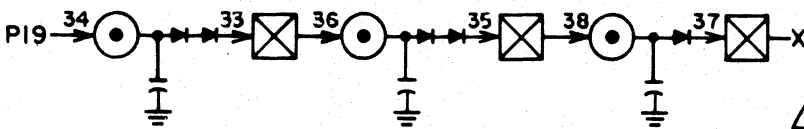
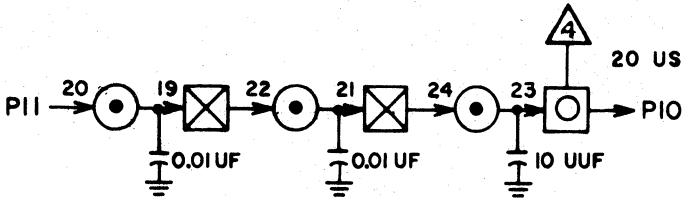
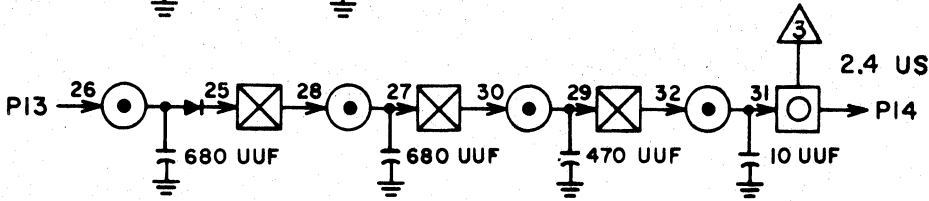
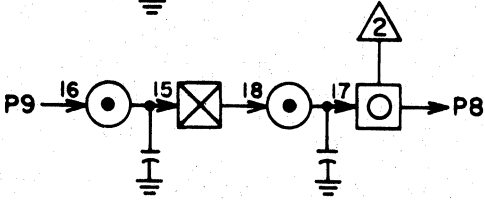
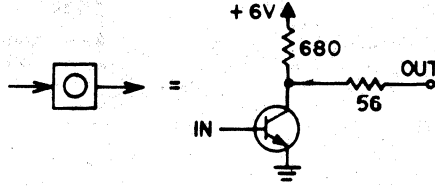
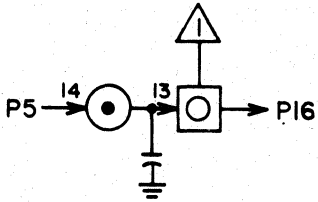
1		
2		
3		
4		
5		
6		
7		
8		
9		
10		
11		
12		
13		
14		
15		
16		
17		
18		
19		
20		
21		
22		
23		
24		
25		
26		
27		
28		

JACK PIN LG  
CIRCUIT SPECIFICATION  
11827600

LS 52535800  
ASSY

XL01

A  
REV

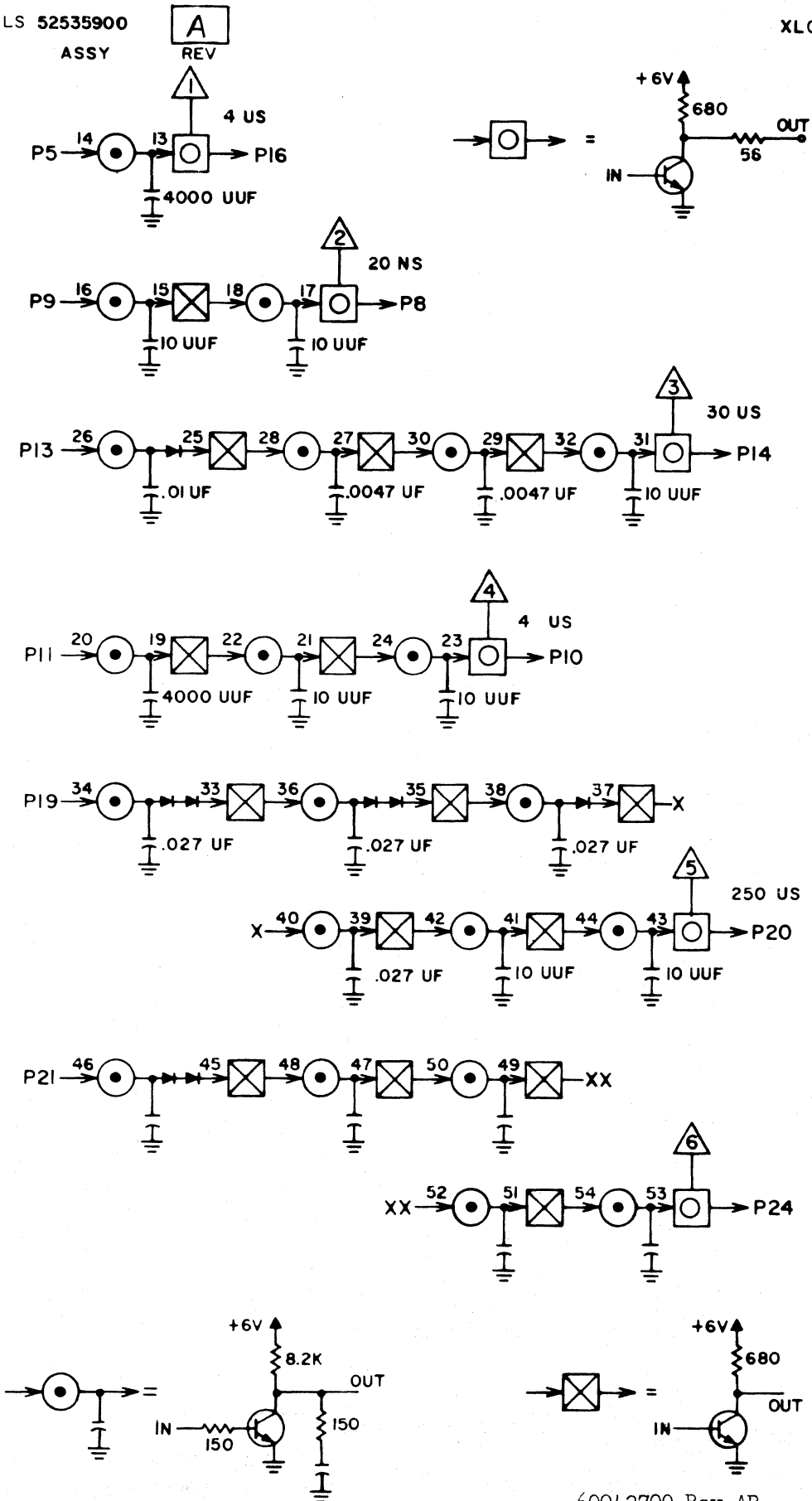


60042700 Rev AB

JACK	PIN	LG
1		
2		
3		
4		
5		
6		
7		
8		
9		
10		
11		
12		
13		
14		
15		
16		
17		
18		
19		
20		
21		
22		
23		
24		
25		
26		
27		
28		

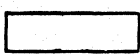
CIRCUIT SPECIFICATION  
11827600



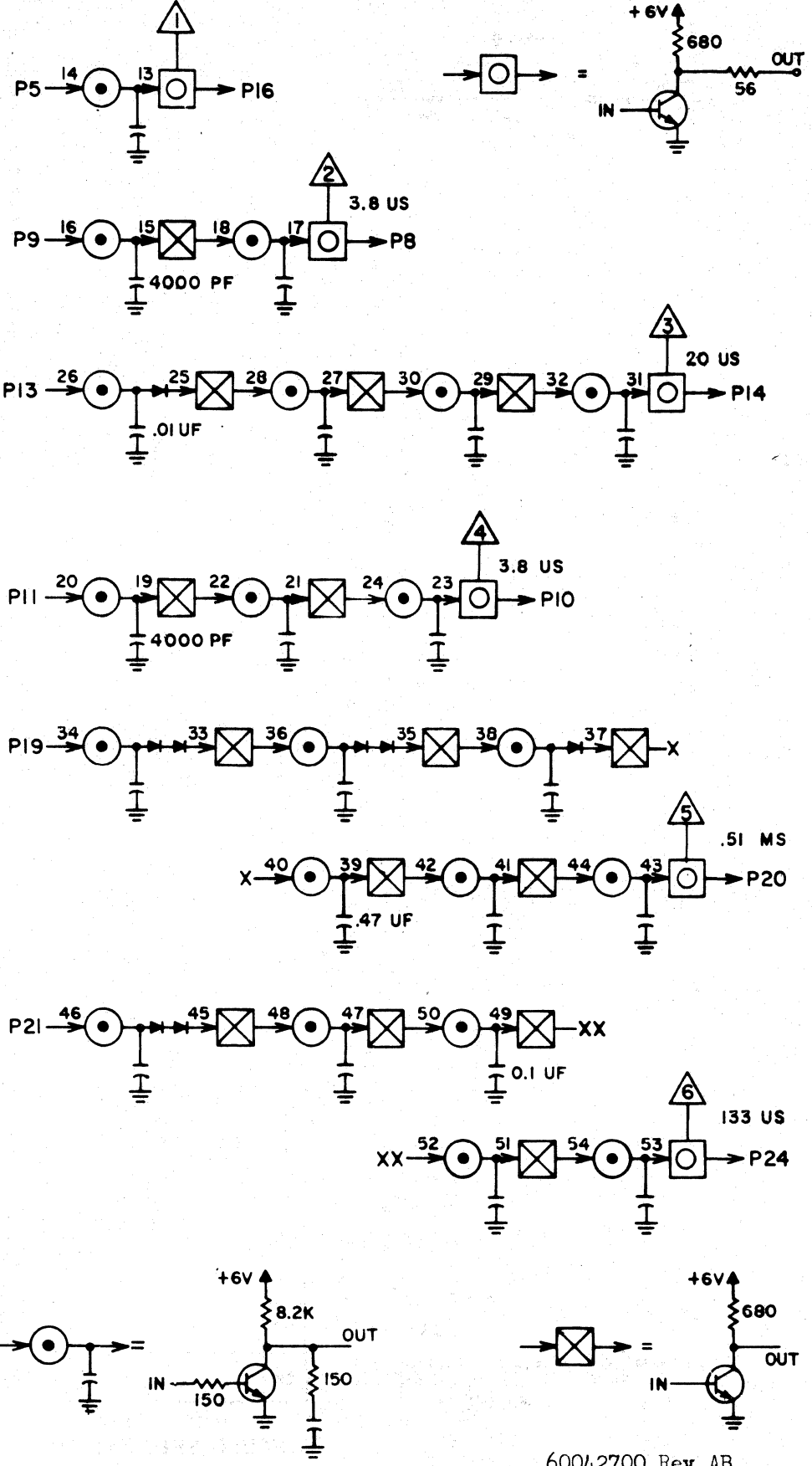


1			
2			
3			
4			
5			
6			
7			
8			
9			
10			
11			
12			
13			
14			
15			
16			
17			
18			
19			
20			
21			
22			
23			
24			
25			
26			
27			
28			

JACK PIN LG  
CIRCUIT SPECIFICATION  
11827600



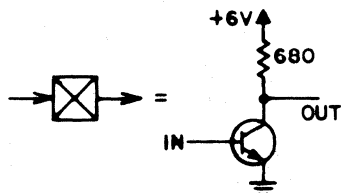
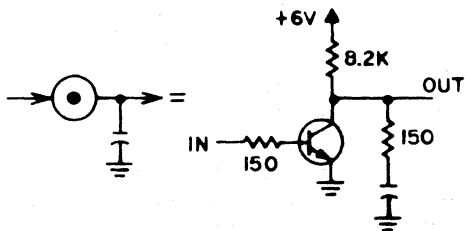
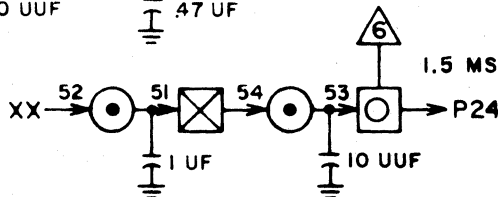
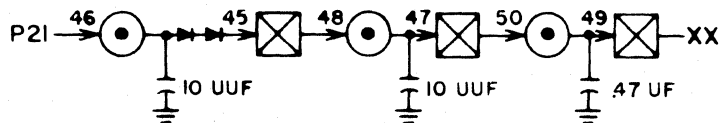
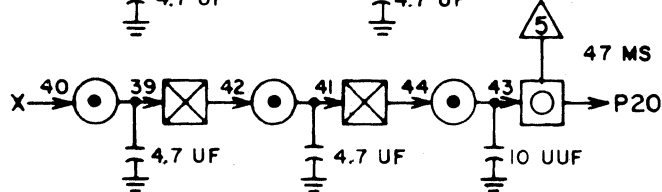
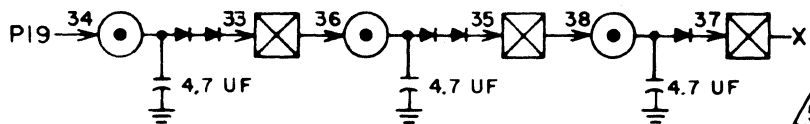
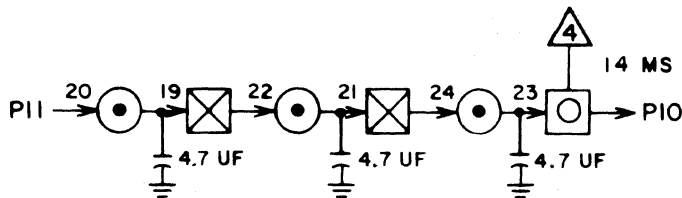
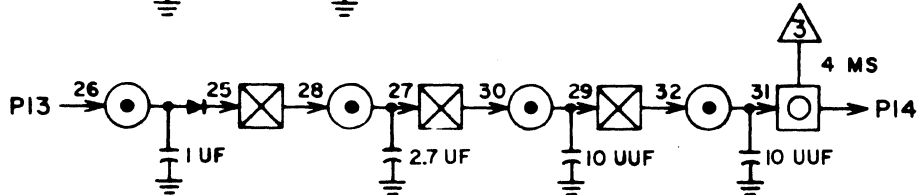
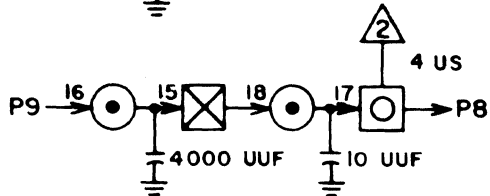
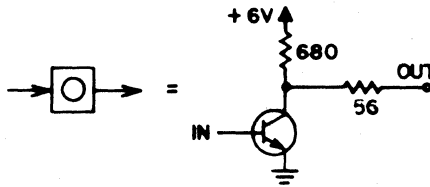
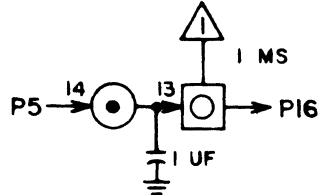
A  
REV



1			
2			
3			
4			
5			
6			
7			
8			
9			
10			
11			
12			
13			
14			
15			
16			
17			
18			
19			
20			
21			
22			
23			
24			
25			
26			
27			
28			

JACK PIN LG  
CIRCUIT SPECIFICATION  
11827600

A  
REV



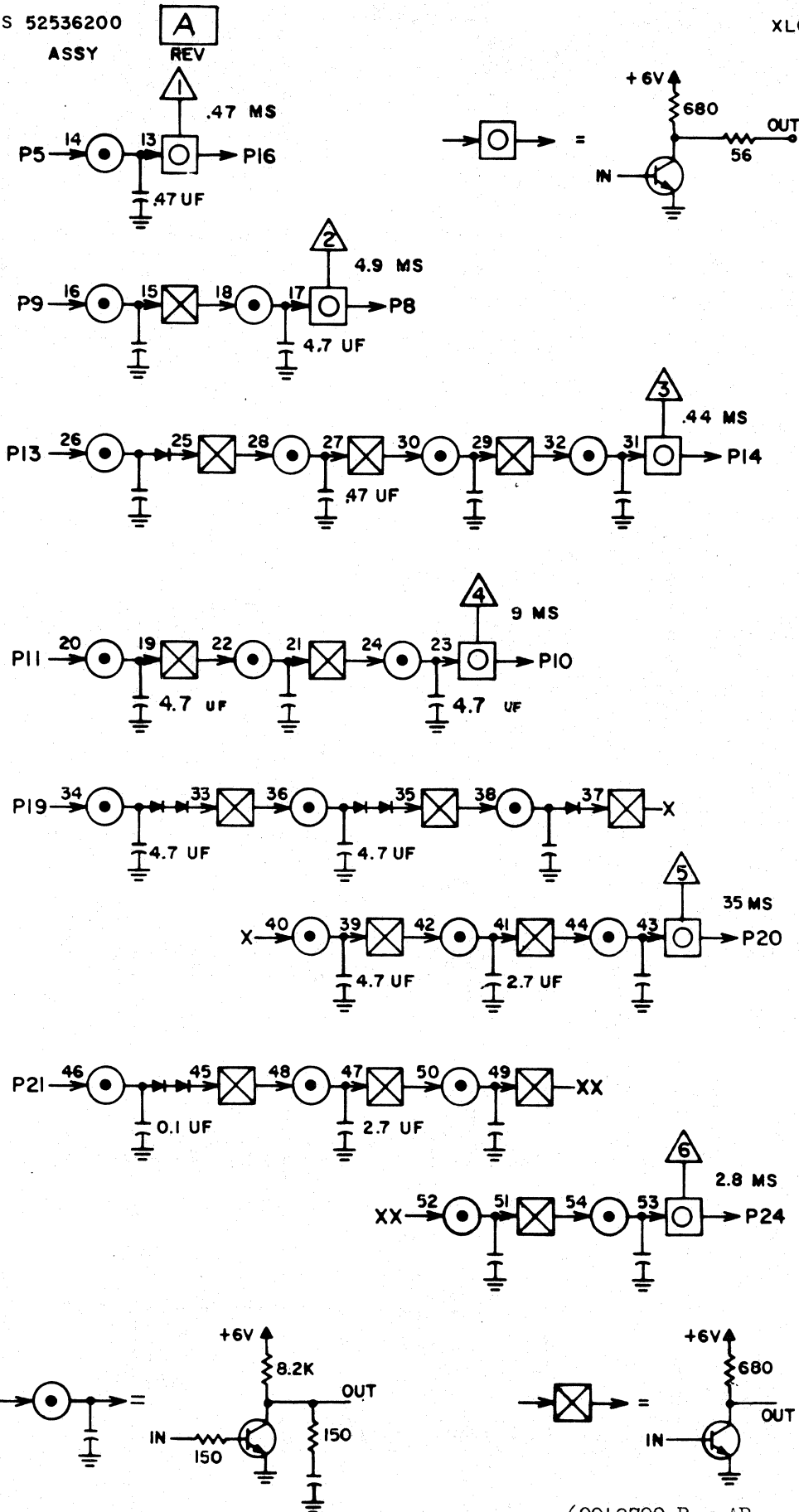
60042700 Rev AB

1			
2			
3			
4			
5			
6			
7			
8			
9			
10			
11			
12			
13			
14			
15			
16			
17			
18			
19			
20			
21			
22			
23			
24			
25			
26			
27			
28			

JACK PIN LG  
CIRCUIT SPECIFICATION  
11827600

LS 52536200  
ASSY

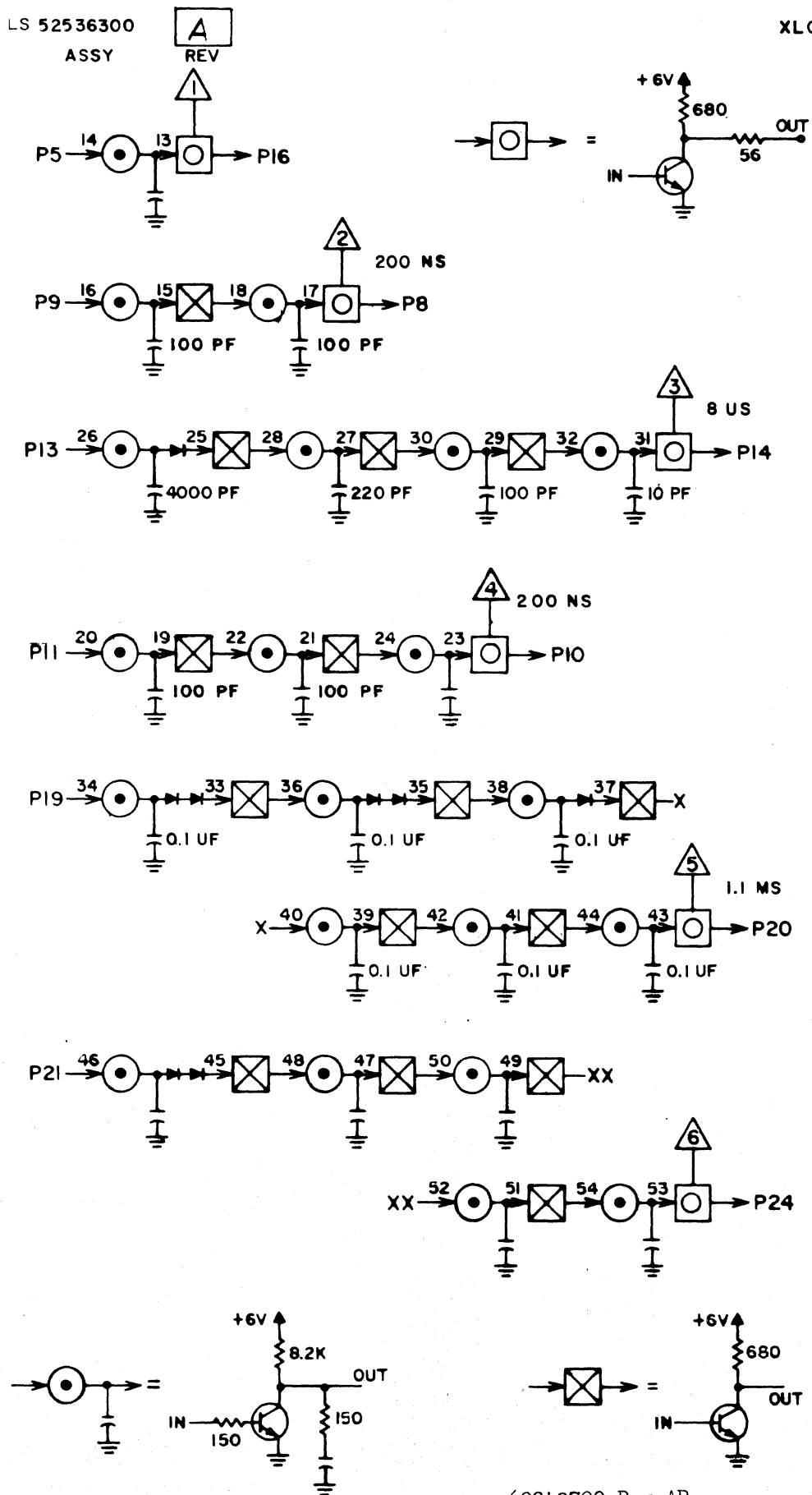
XL05



1			
2			
3			
4			
5			
6			
7			
8			
9			
10			
11			
12			
13			
14			
15			
16			
17			
18			
19			
20			
21			
22			
23			
24			
25			
26			
27			
28			

JACK PIN LG  
CIRCUIT SPECIFICATION  
11827600

60042700 Rev AB



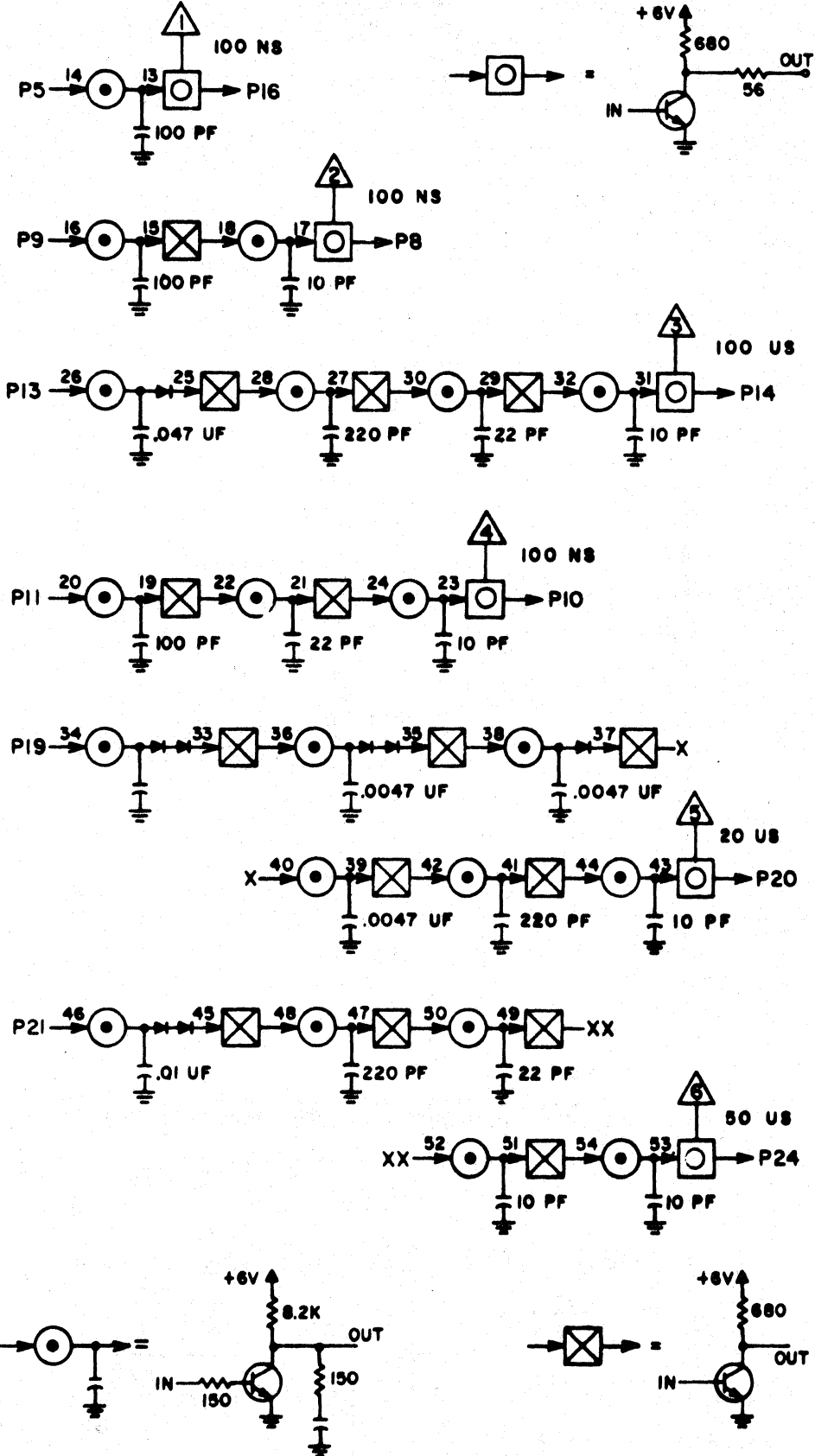
1			
2			
3			
4			
5			
6			
7			
8			
9			
10			
11			
12			
13			
14			
15			
16			
17			
18			
19			
20			
21			
22			
23			
24			
25			
26			
27			
28			

JACK PIN LG  
CIRCUIT SPECIFICATION  
11827600

LS 63065523  
ASSY

L  
REV

XL07

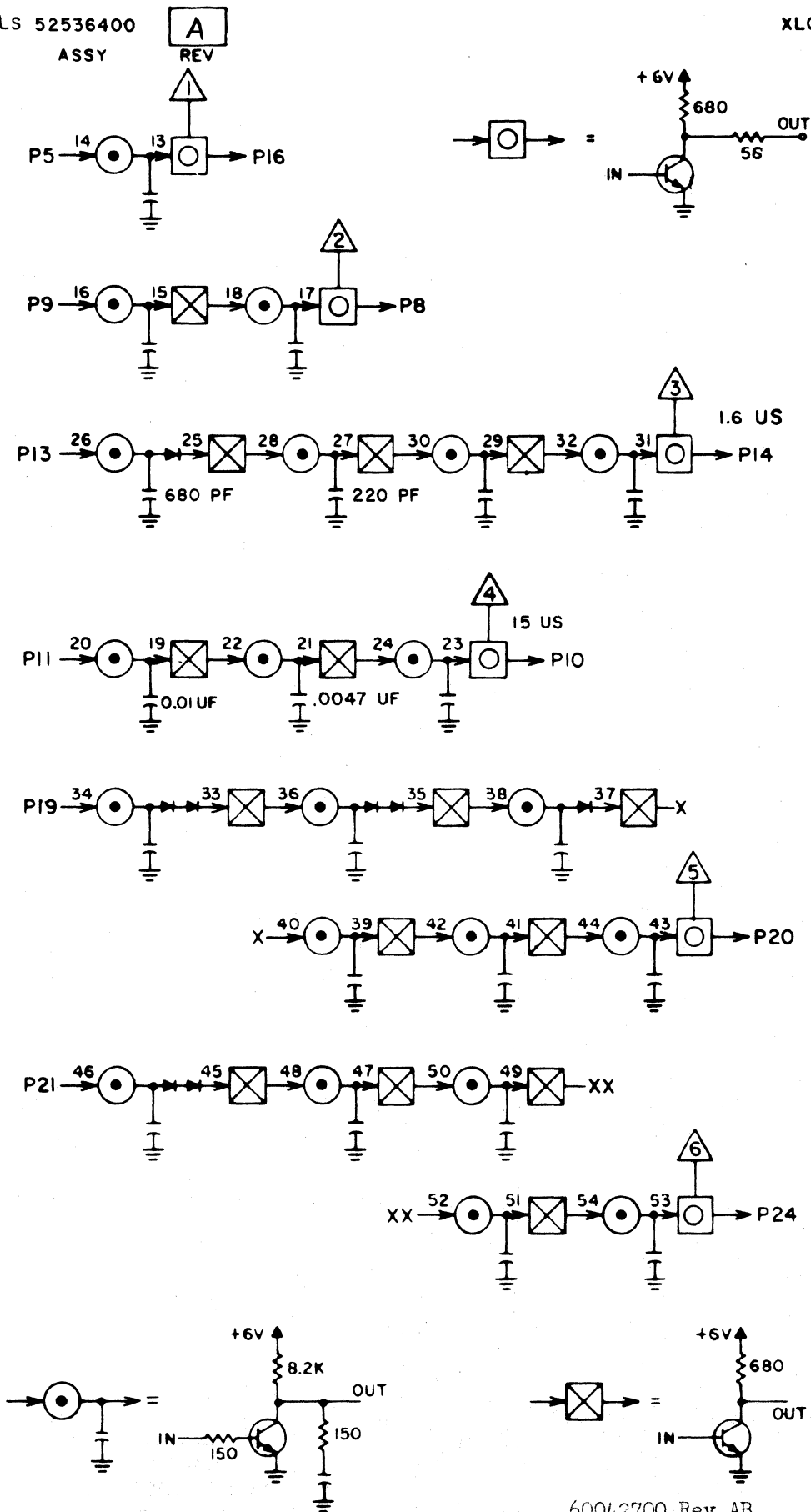
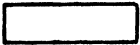


1			
2			
3			
4			
5			
6			
7			
8			
9			
10			
11			
12			
13			
14			
15			
16			
17			
18			
19			
20			
21			
22			
23			
24			
25			
26			
27			
28			

JACK PIN LG  
CIRCUIT SPECIFICATION  
11827600  
60042700 Rev. L

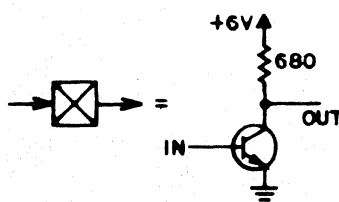
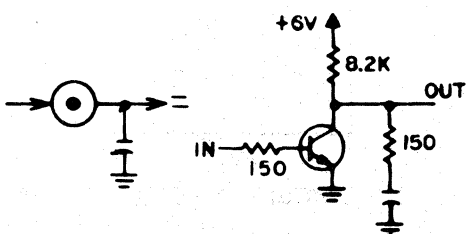
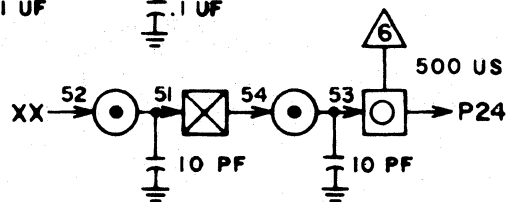
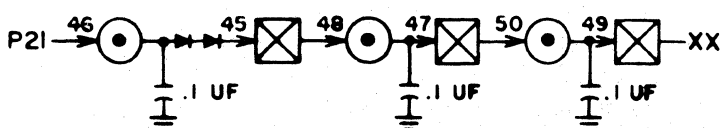
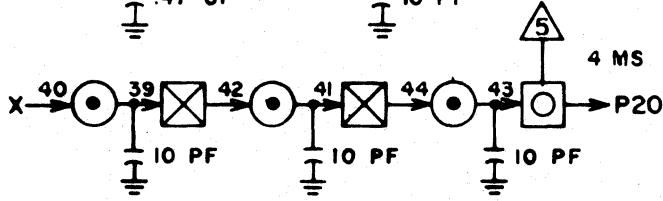
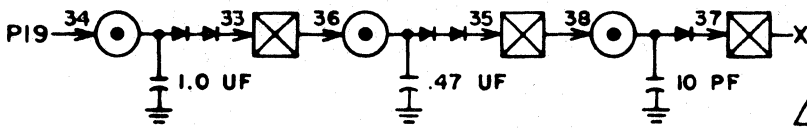
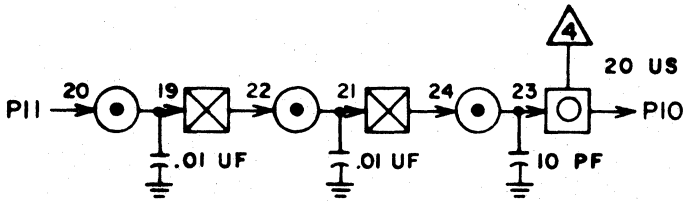
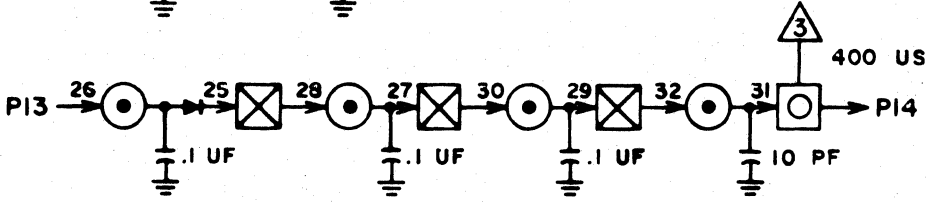
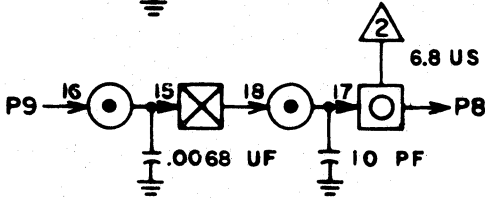
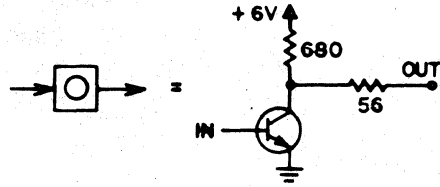
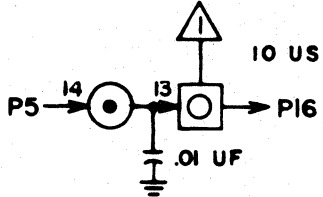
LS 52536400  
ASSY

XL08



1		
2		
3		
4		
5		
6		
7		
8		
9		
10		
11		
12		
13		
14		
15		
16		
17		
18		
19		
20		
21		
22		
23		
24		
25		
26		
27		
28		

JACK PIN LG  
CIRCUIT SPECIFICATION  
11827600



60042700 Rev AB

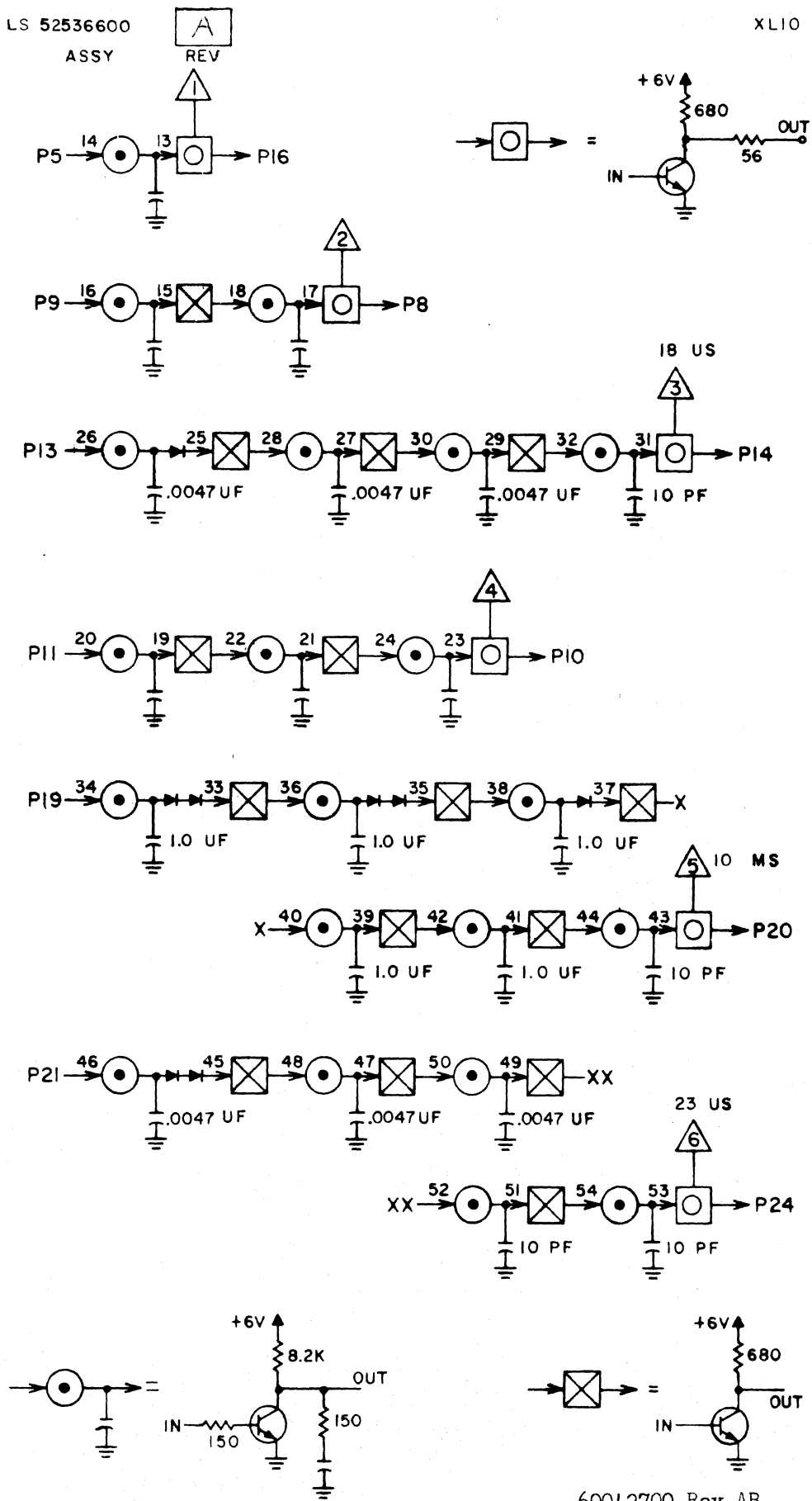
1			
2			
3			
4			
5			
6			
7			
8			
9			
10			
11			
12			
13			
14			
15			
16			
17			
18			
19			
20			
21			
22			
23			
24			
25			
26			
27			
28			

JACK PIN LG  
CIRCUIT SPECIFICATION  
11827600



LS 52536600  
ASSY

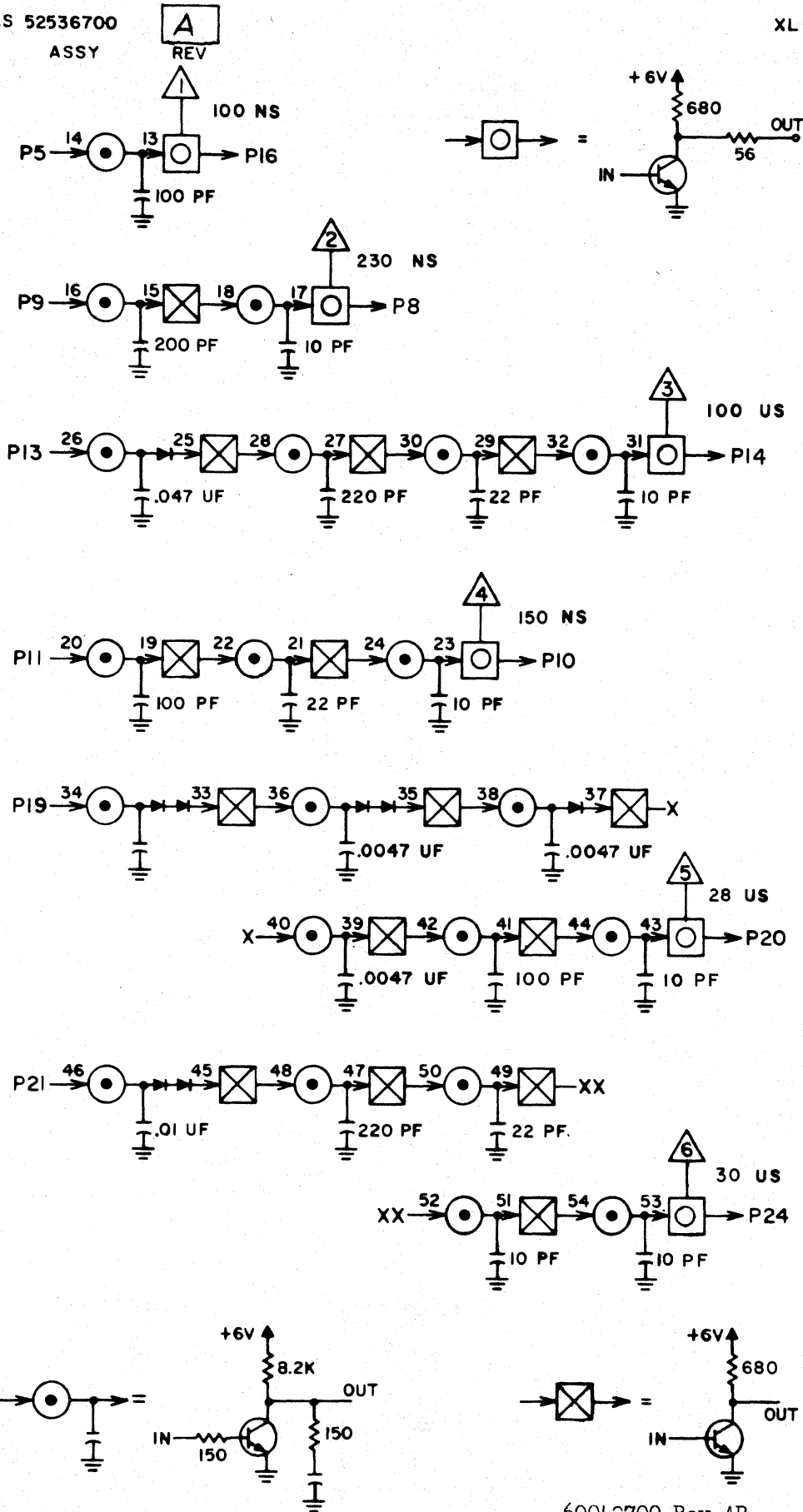
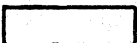
XL10



1			
2			
3			
4			
5			
6			
7			
8			
9			
10			
11			
12			
13			
14			
15			
16			
17			
18			
19			
20			
21			
22			
23			
24			
25			
26			
27			
28			

JACK PIN LG  
CIRCUIT SPECIFICATION  
11827600

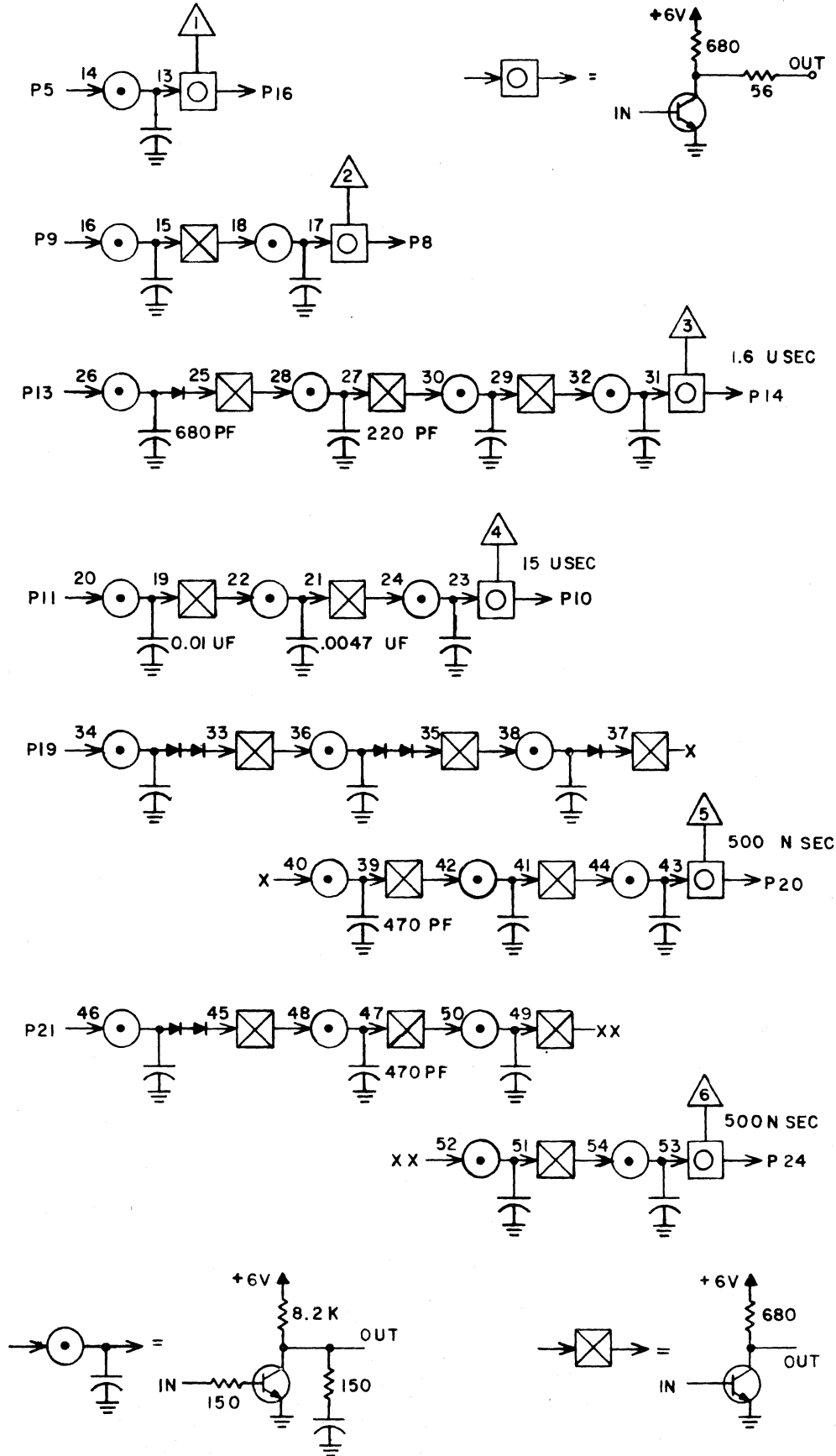
60042700 Rev AB



60042700 Rev AB

1			
2			
3			
4			
5			
6			
7			
8			
9			
10			
11			
12			
13			
14			
15			
16			
17			
18			
19			
20			
21			
22			
23			
24			
25			
26			
27			
28			

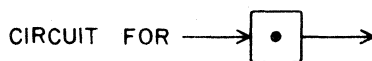
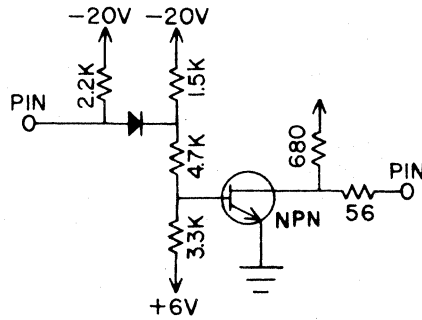
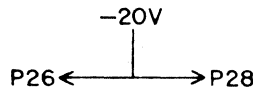
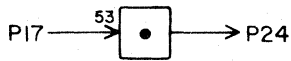
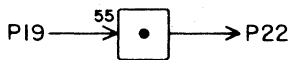
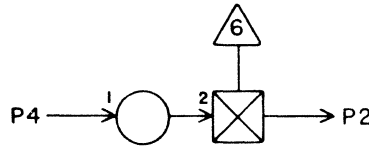
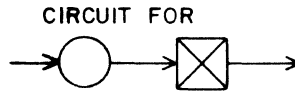
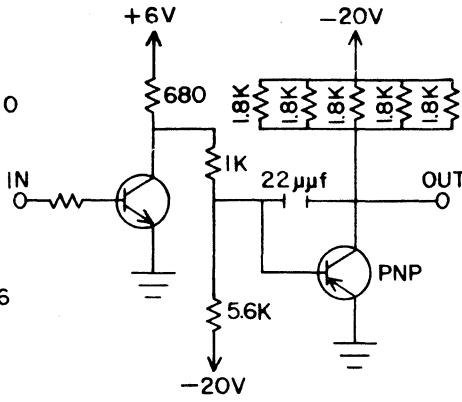
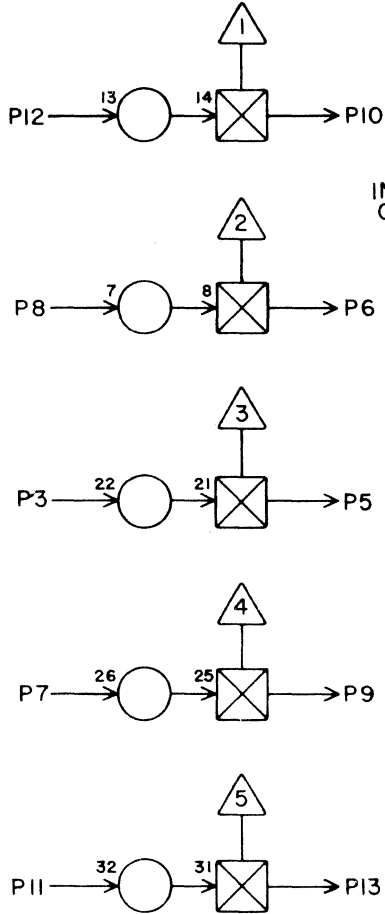
JACK PIN LG  
CIRCUIT SPECIFICATION  
11827600



1			
2			
3			
4			
5			
6			
7			
8			
9			
10			
11			
12			
13			
14			
15			
16			
17			
18			
19			
20			
21			
22			
23			
24			
25			
26			
27			
28			

JACK PIN LG  
SEE CIRCUIT SPECIFICATION  
11827600  
60042700 Rev AB

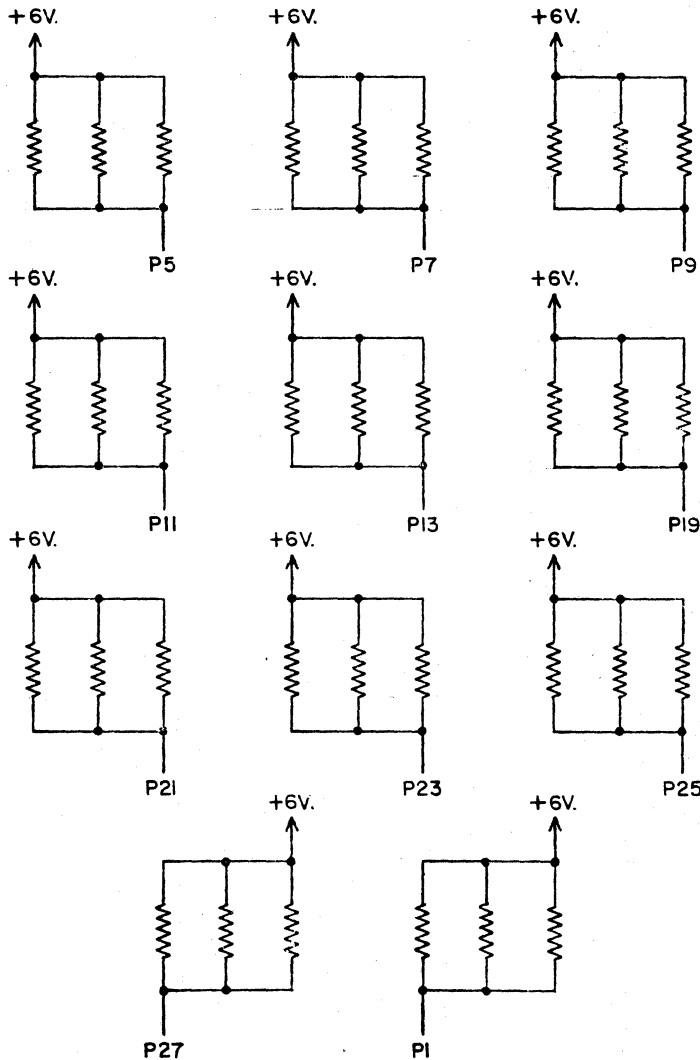
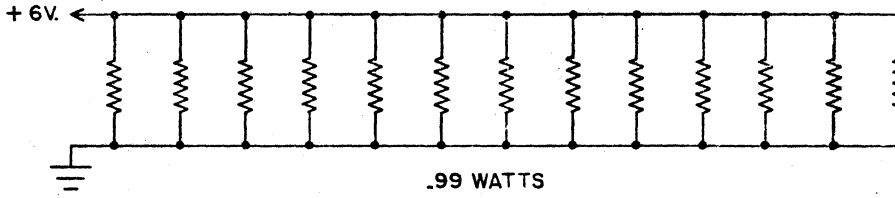




1			
2			
3			
4			
5			
6			
7			
8			
9			
10			
11			
12			
13			
14			
15			
16			
17			
18			
19			
20			
21			
22			
23			
24			
25			
26			
27			
28			

JACK PIN LG





NOTE:  
EACH PIN GROUNDING ADDS .229 WATTS.  
ALL RESISTORS ARE 470 Ω

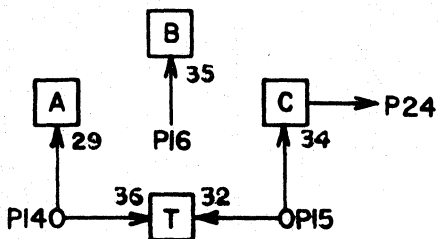
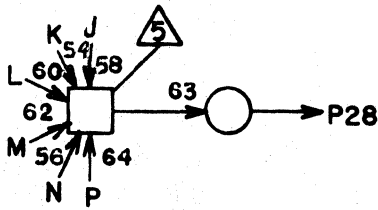
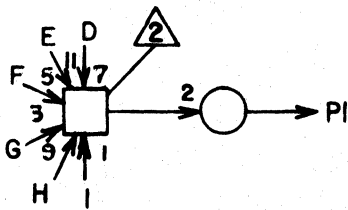
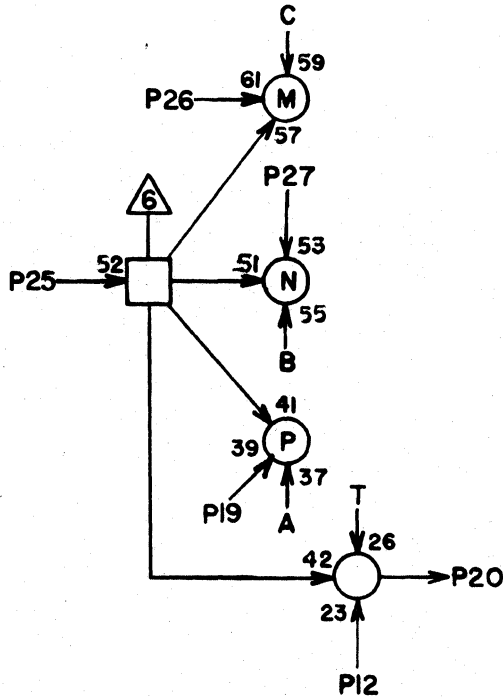
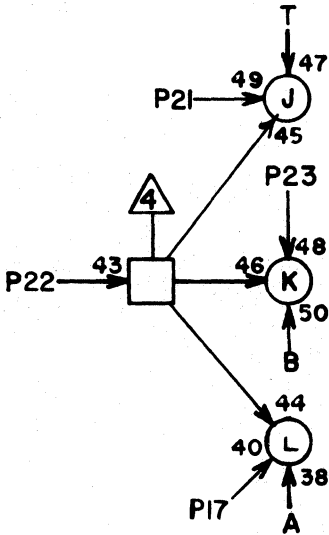
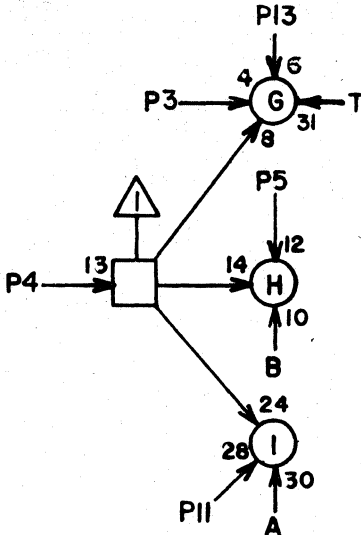
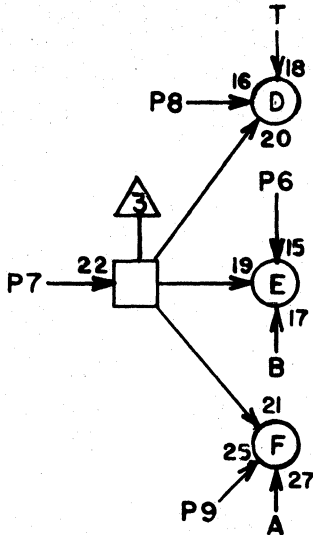
1		
2		
3		
4		
5		
6		
7		
8		
9		
10		
11		
12		
13		
14		
15		
16		
17		
18		
19		
20		
21		
22		
23		
24		
25		
26		
27		
28		

JACK PIN LG

LS 52666000  
ASSY

A  
REV

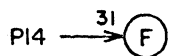
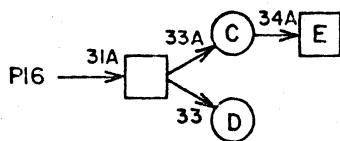
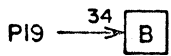
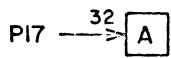
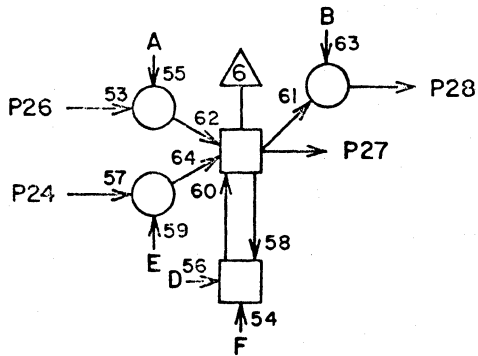
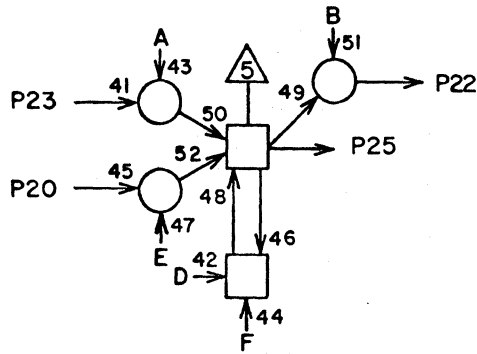
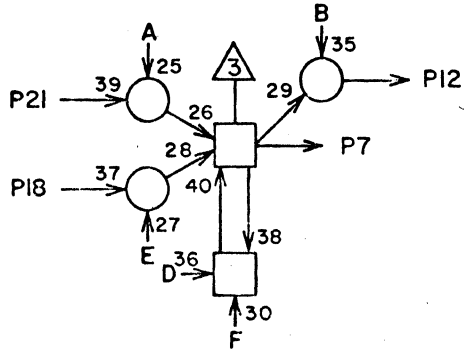
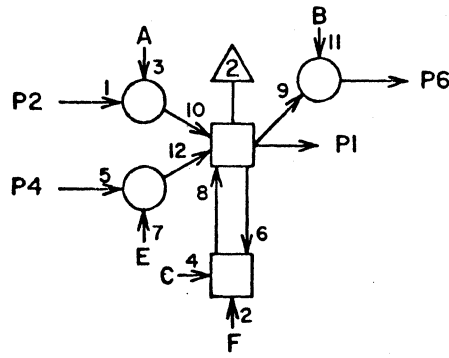
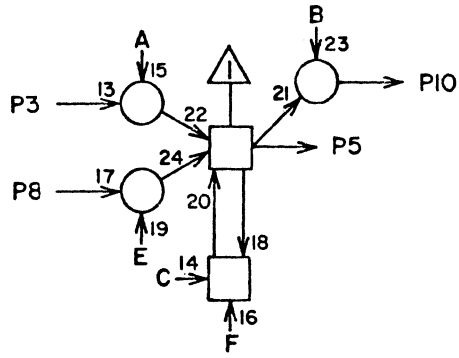
XP



1			
2			
3			
4			
5			
6			
7			
8			
9			
10			
11			
12			
13			
14			
15			
16			
17			
18			
19			
20			
21			
22			
23			
24			
25			
26			
27			
28			

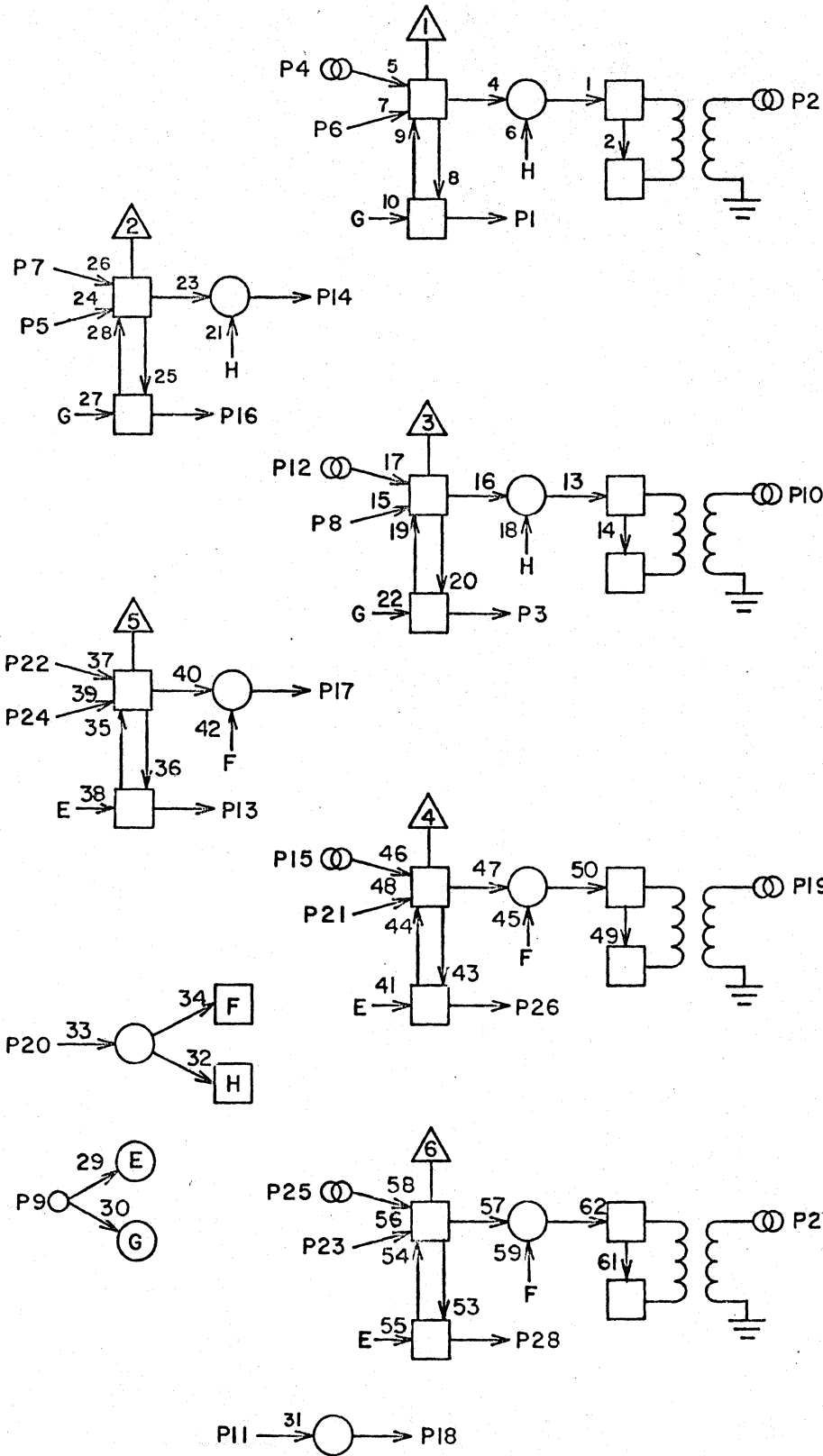
JACK PIN LG  
SEE CIRCUIT SPECIFICATION





1			
2			
3			
4			
5			
6			
7			
8			
9			
10			
11			
12			
13			
14			
15			
16			
17			
18			
19			
20			
21			
22			
23			
24			
25			
26			
27			
28			

JACK PIN LG  
 CIRCUIT SPECIFICATION  
 11827600

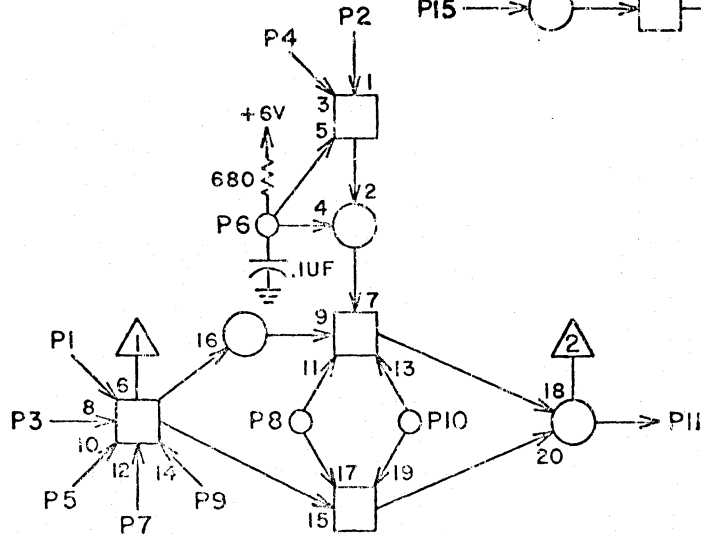
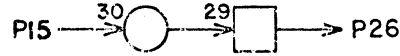
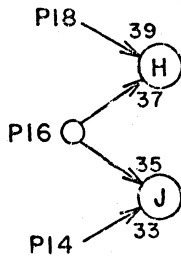
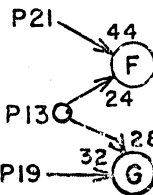
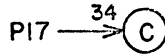
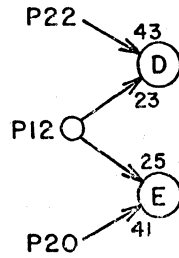
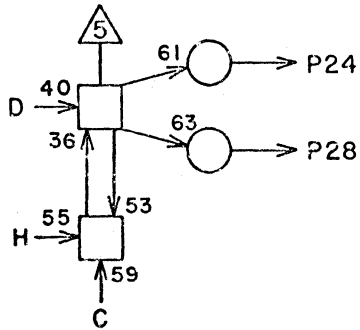
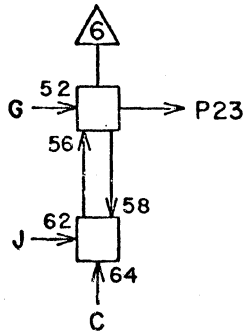
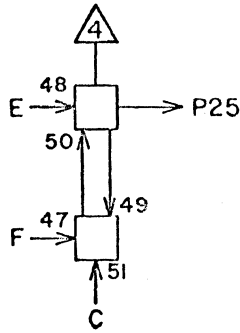


1			
2			
3			
4			
5			
6			
7			
8			
9			
10			
11			
12			
13			
14			
15			
16			
17			
18			
19			
20			
21			
22			
23			
24			
25			
26			
27			
28			

JACK PIN LG

CIRCUIT SPECIFICATION

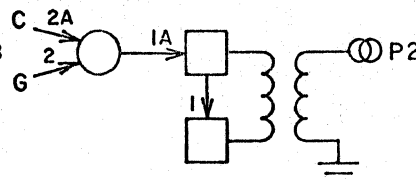
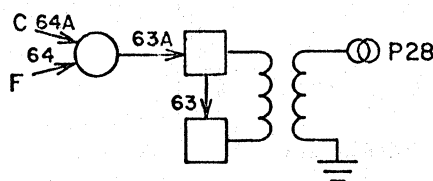
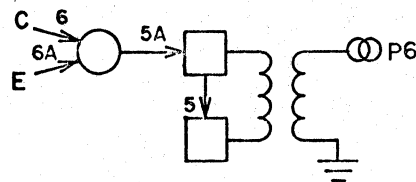
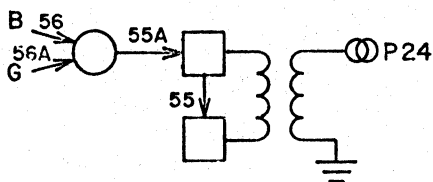
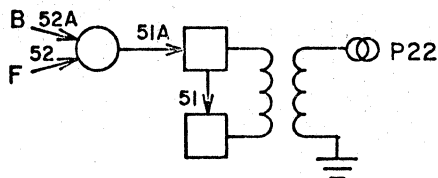
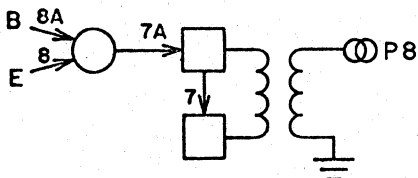
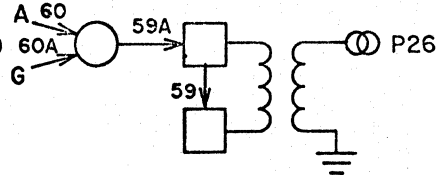
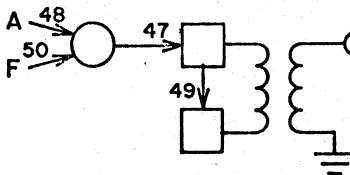
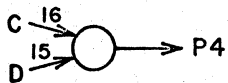
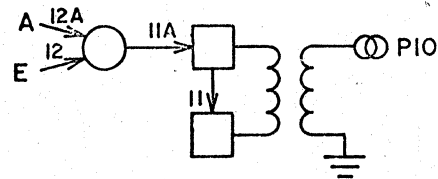
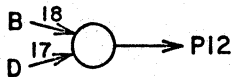
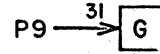
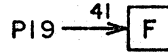
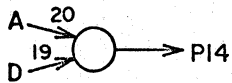
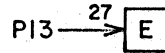
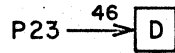
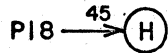
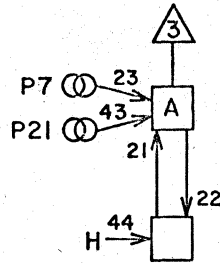
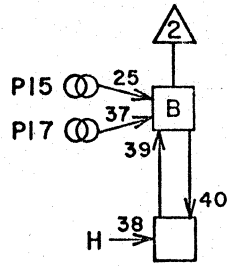
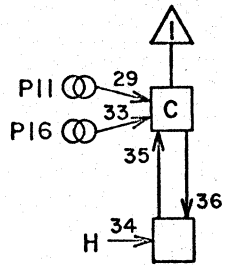
11827600



1			
2			
3			
4			
5			
6			
7			
8			
9			
10			
11			
12			
13			
14			
15			
16			
17			
18			
19			
20			
21			
22			
23			
24			
25			
26			
27			
28			

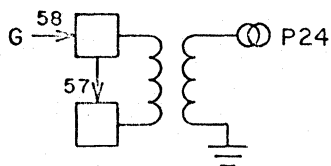
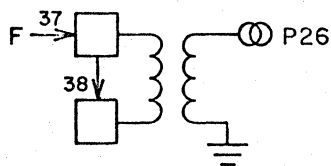
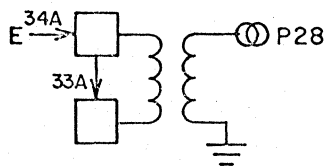
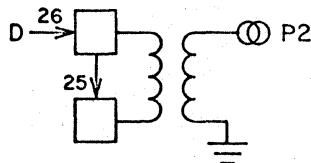
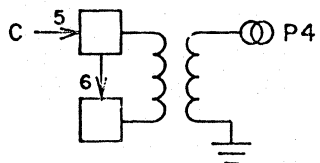
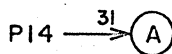
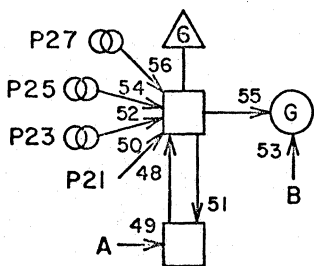
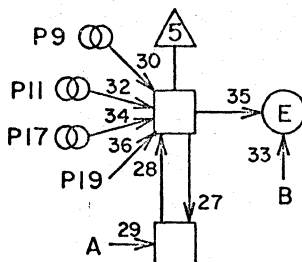
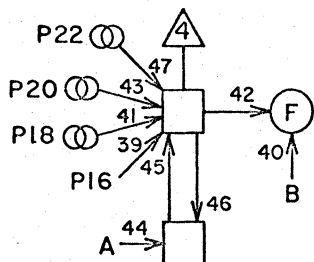
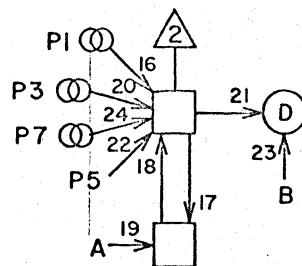
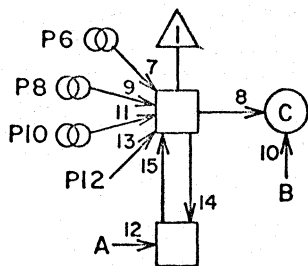
JACK PIN LG

SEE CIRCUIT SPECIFICATION



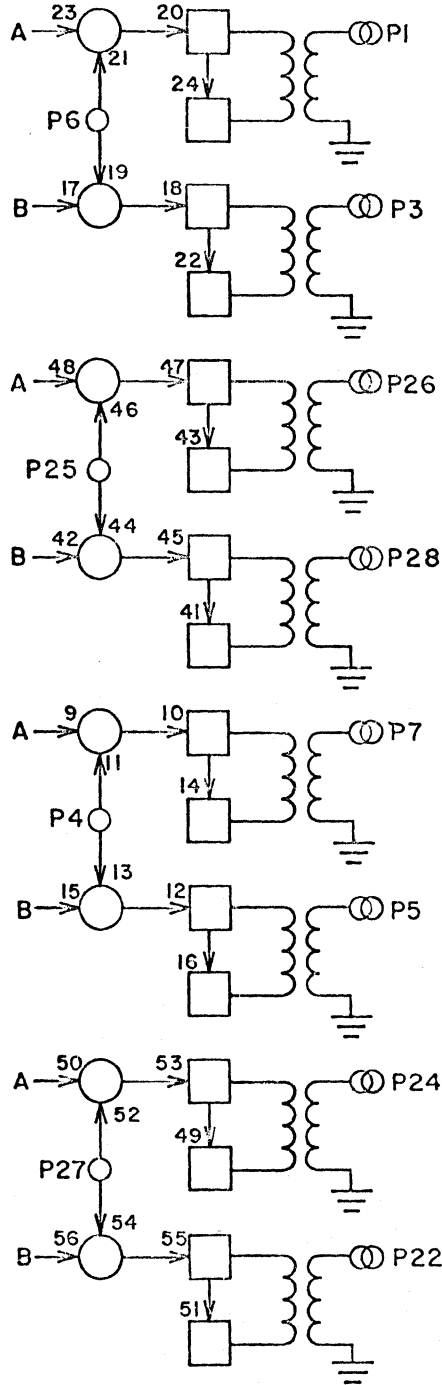
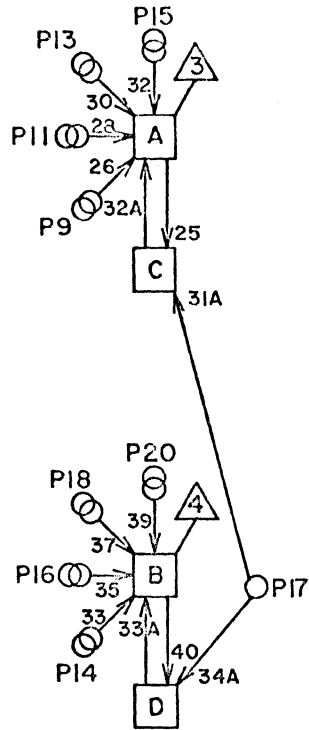
1			
2			
3			
4			
5			
6			
7			
8			
9			
10			
11			
12			
13			
14			
15			
16			
17			
18			
19			
20			
21			
22			
23			
24			
25			
26			
27			
28			





1			
2			
3			
4			
5			
6			
7			
8			
9			
10			
11			
12			
13			
14			
15			
16			
17			
18			
19			
20			
21			
22			
23			
24			
25			
26			
27			
28			

JACK PIN LG  
CIRCUIT SPECIFICATION



1			
2			
3			
4			
5			
6			
7			
8			
9			
10			
11			
12			
13			
14			
15			
16			
17			
18			
19			
20			
21			
22			
23			
24			
25			
26			
27			
28			

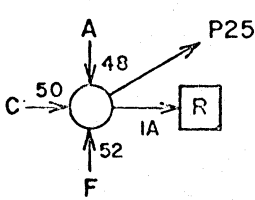
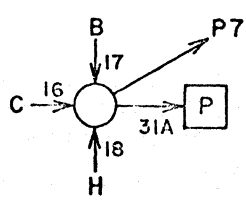
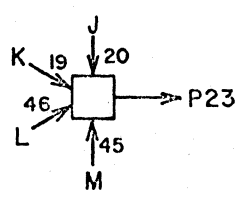
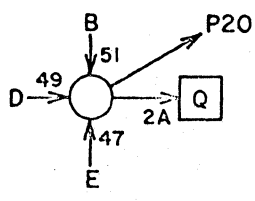
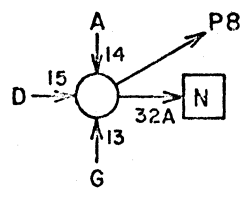
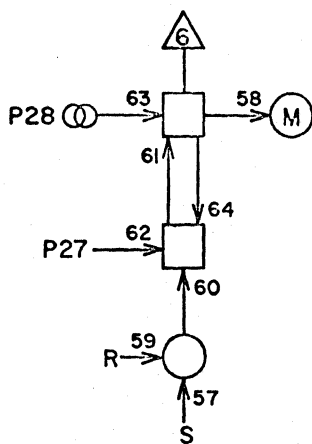
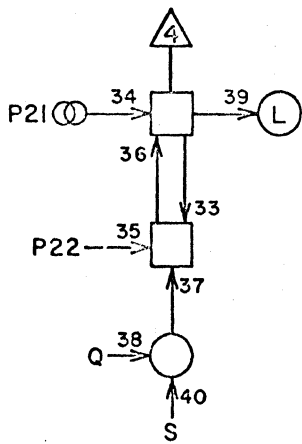
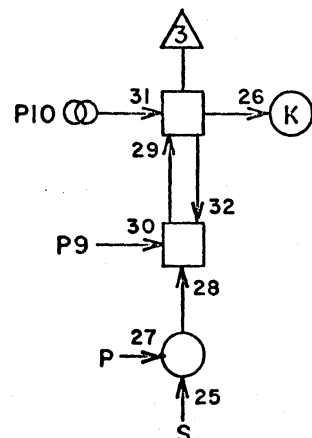
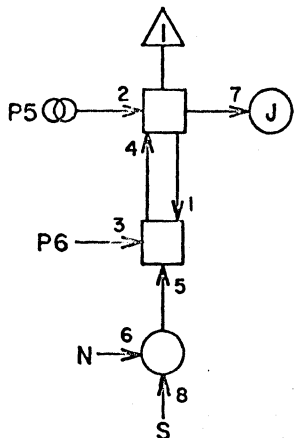
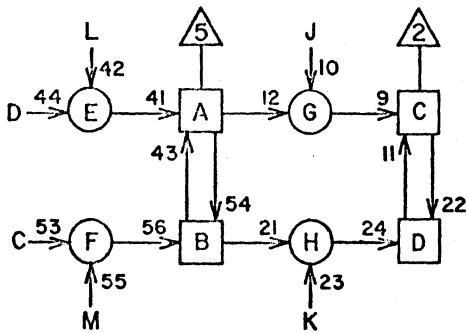
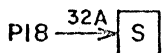
JACK PIN LG

CIRCUIT SPECIFICATION

60042700 Rev. U 11827600

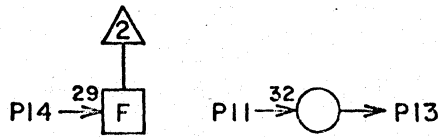
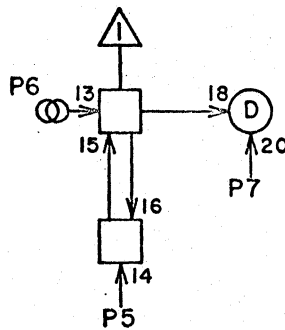
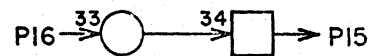
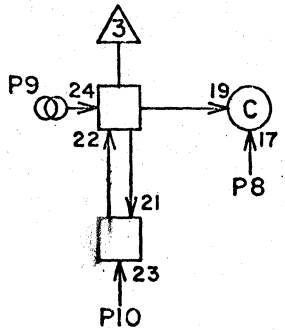
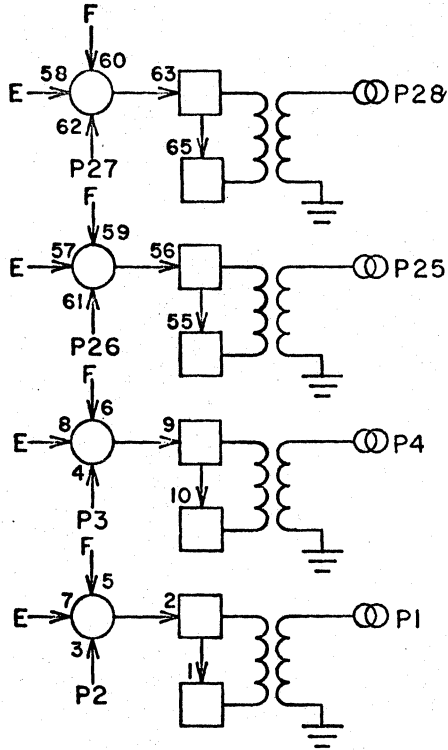
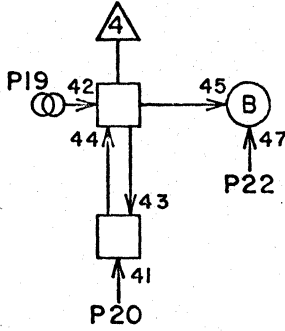
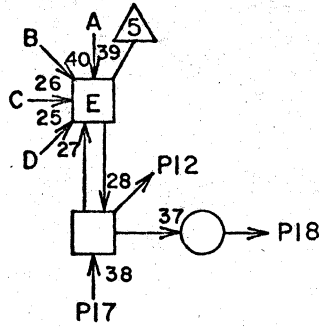
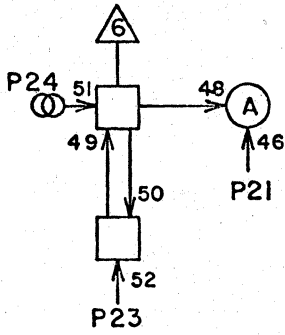






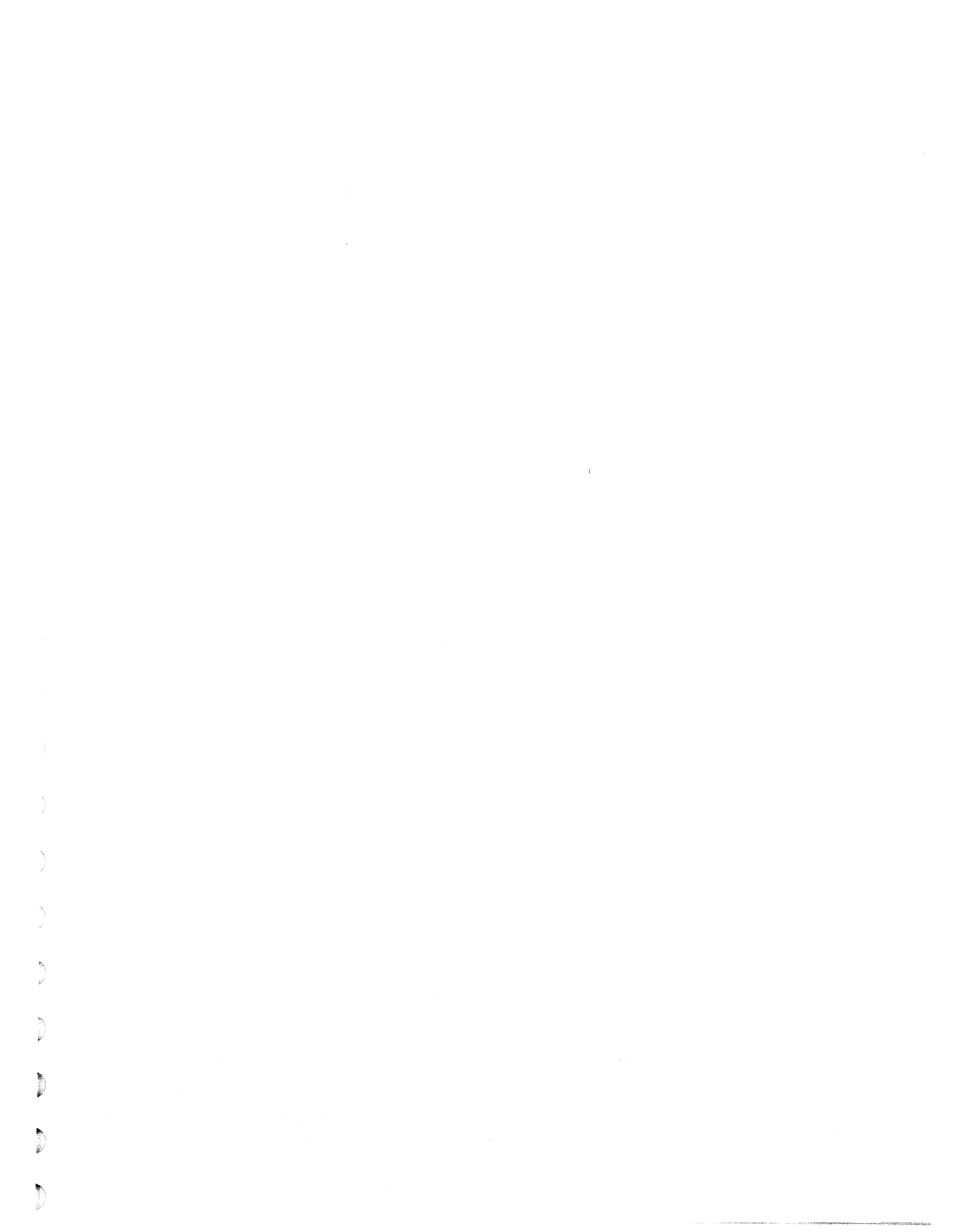
1			
2			
3			
4			
5			
6			
7			
8			
9			
10			
11			
12			
13			
14			
15			
16			
17			
18			
19			
20			
21			
22			
23			
24			
25			
26			
27			
28			

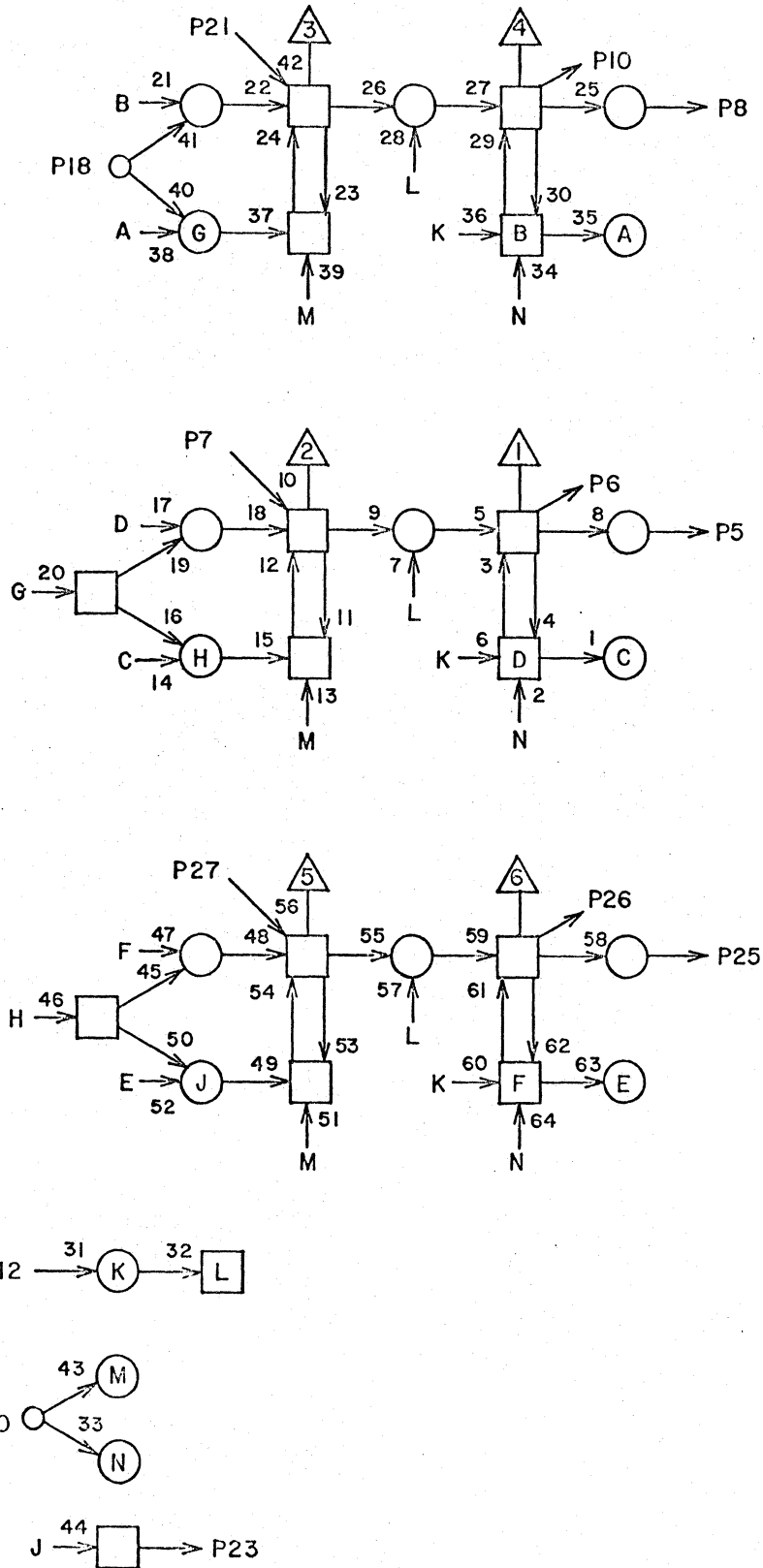
JACK PIN LG  
CIRCUIT SPECIFICATION  
11827600



1			
2			
3			
4			
5			
6			
7			
8			
9			
10			
11			
12			
13			
14			
15			
16			
17			
18			
19			
20			
21			
22			
23			
24			
25			
26			
27			
28			

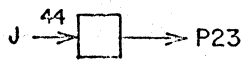
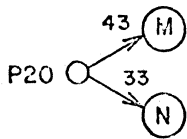
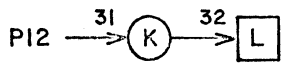
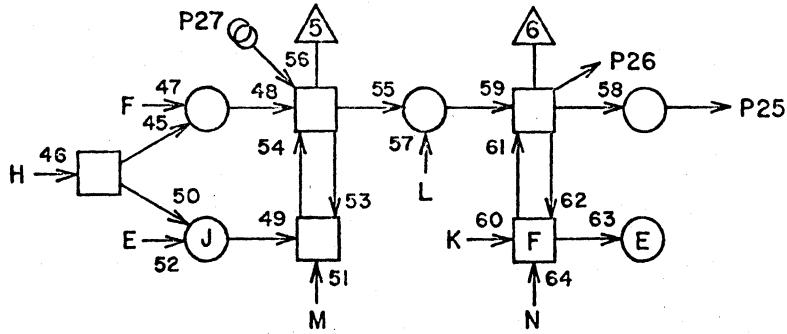
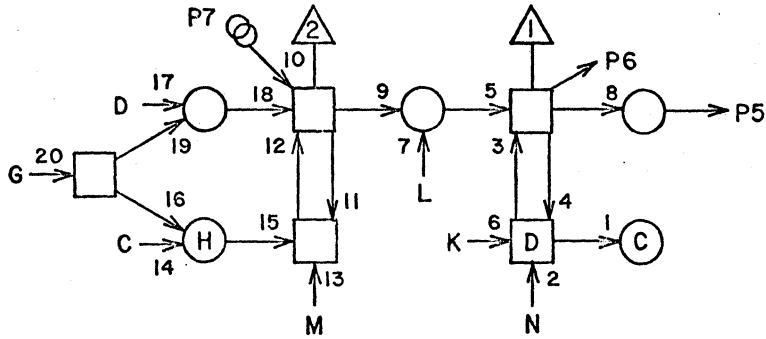
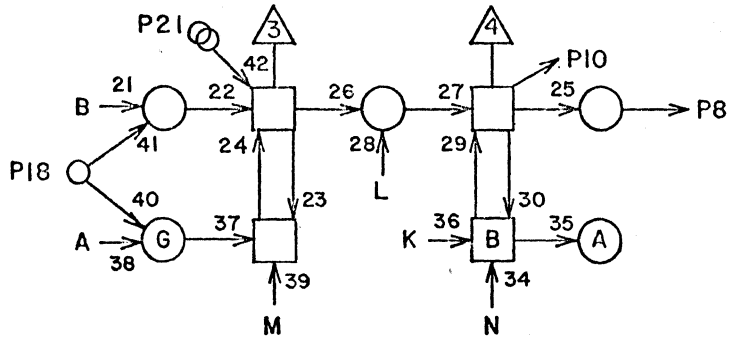
JACK PIN LG  
CIRCUIT SPECIFICATION





1		
2		
3		
4		
5		
6		
7		
8		
9		
10		
11		
12		
13		
14		
15		
16		
17		
18		
19		
20		
21		
22		
23		
24		
25		
26		
27		
28		

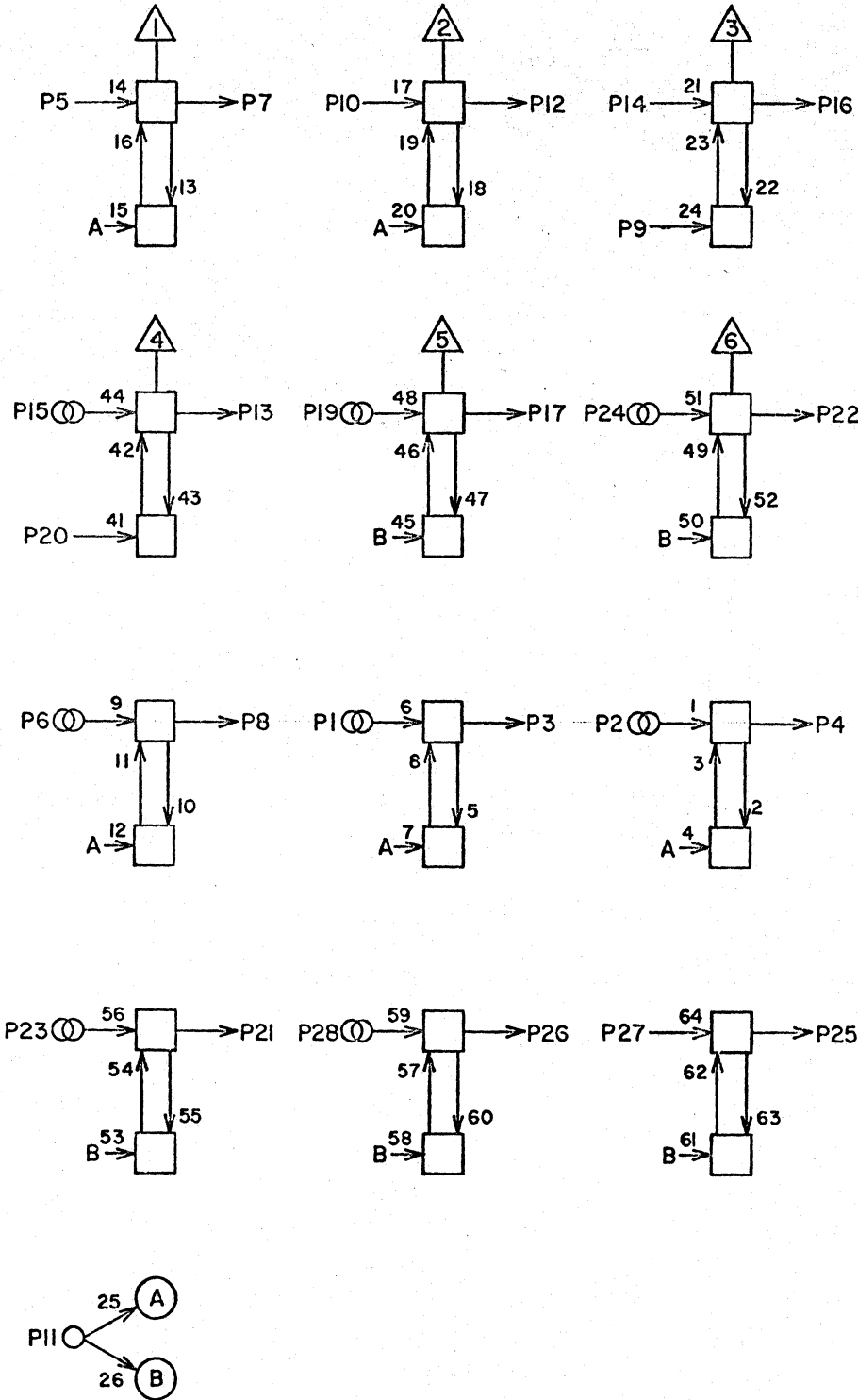
JACK PIN LG  
CIRCUIT SPECIFICATION



1			
2			
3			
4			
5			
6			
7			
8			
9			
10			
11			
12			
13			
14			
15			
16			
17			
18			
19			
20			
21			
22			
23			
24			
25			
26			
27			
28			

JACK PIN LG

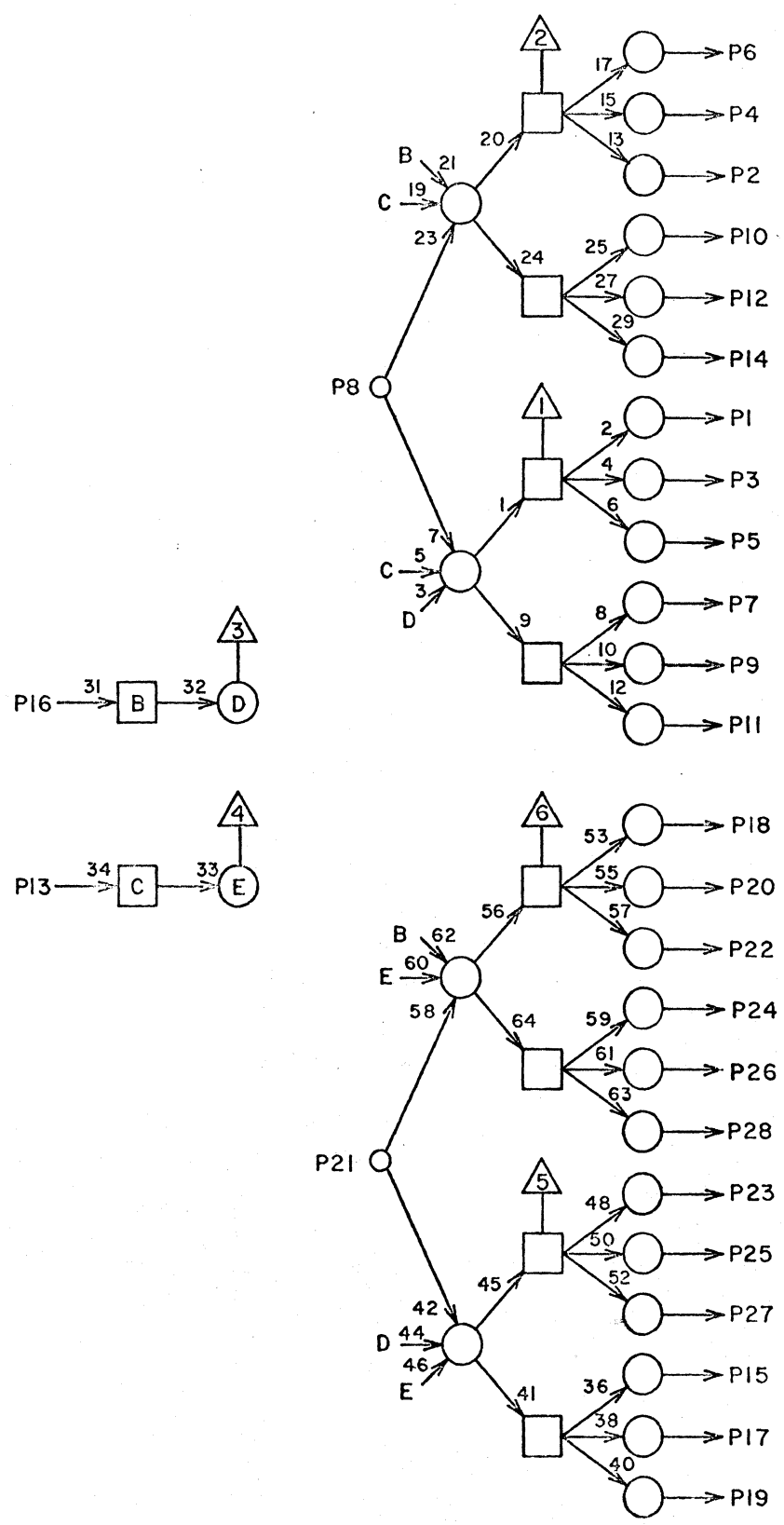
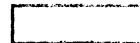
CIRCUIT SPECIFICATION



1			
2			
3			
4			
5			
6			
7			
8			
9			
10			
11			
12			
13			
14			
15			
16			
17			
18			
19			
20			
21			
22			
23			
24			
25			
26			
27			
28			

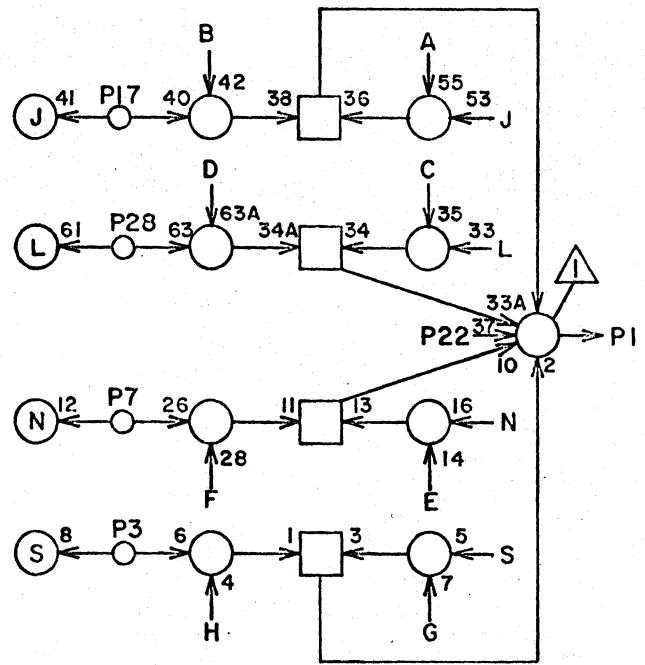
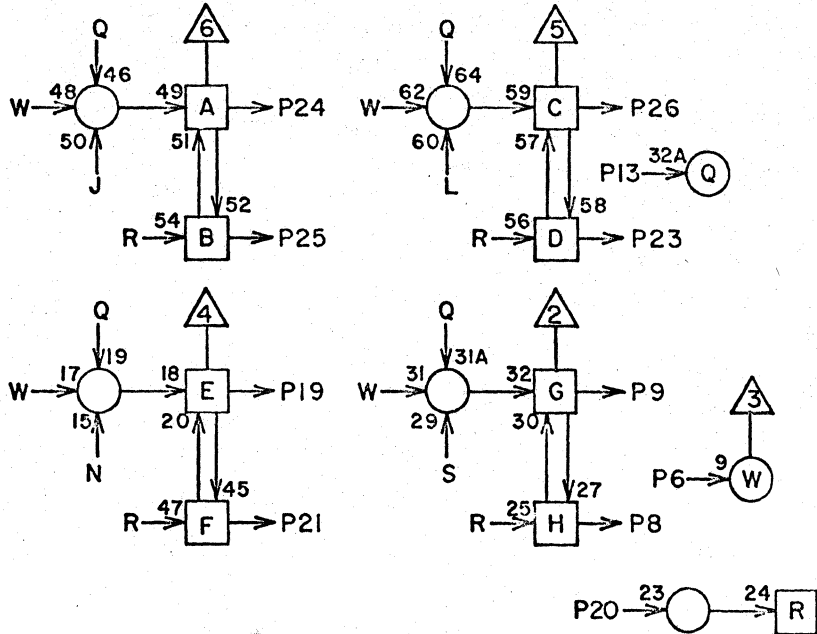
JACK PIN LG

CIRCUIT SPECIFICATION



1			
2			
3			
4			
5			
6			
7			
8			
9			
10			
11			
12			
13			
14			
15			
16			
17			
18			
19			
20			
21			
22			
23			
24			
25			
26			
27			
28			

JACK PIN LG  
CIRCUIT SPECIFICATION  
11827600



- 6V ← P5
- 6V ← P4
- 6V ← P11
- 6V ← P10
- 6V ← P12
- 6V ← P14
- 6V ← P16
- 6V ← P18

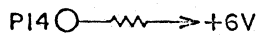
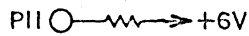
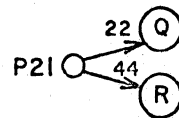
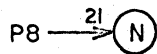
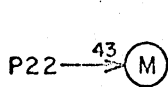
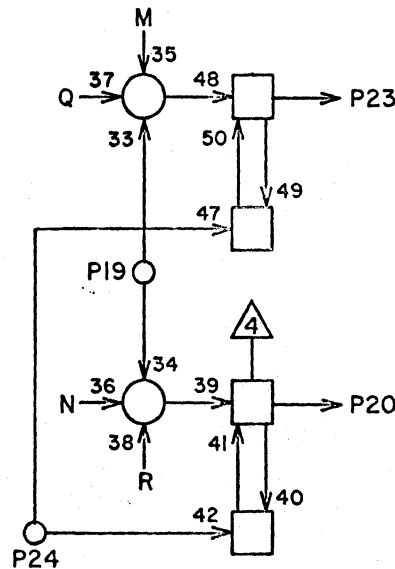
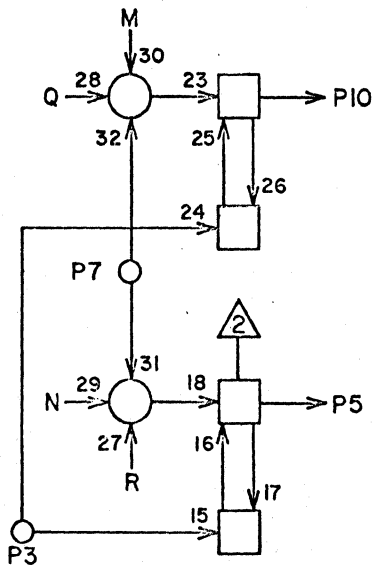
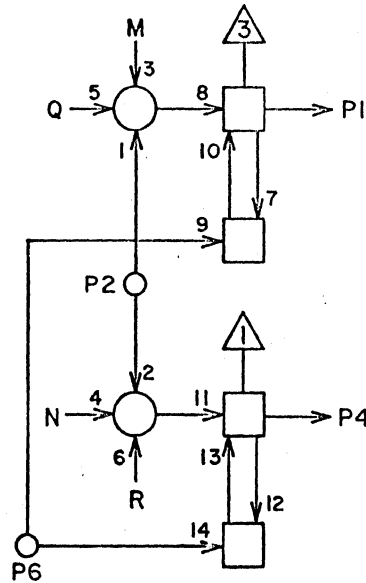
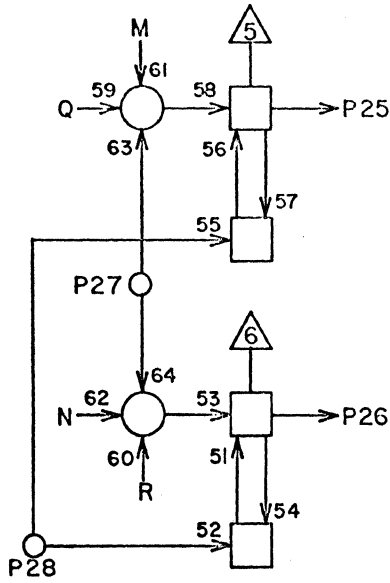
ALL 680

1			
2			
3			
4			
5			
6			
7			
8			
9			
10			
11			
12			
13			
14			
15			
16			
17			
18			
19			
20			
21			
22			
23			
24			
25			
26			
27			
28			

JACK PIN LG

CIRCUIT SPECIFICATION

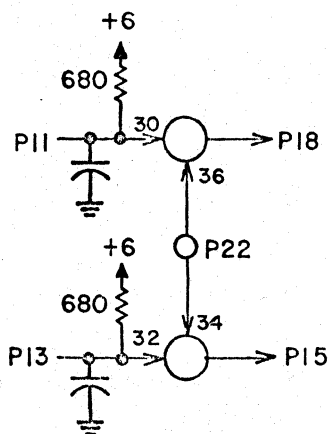
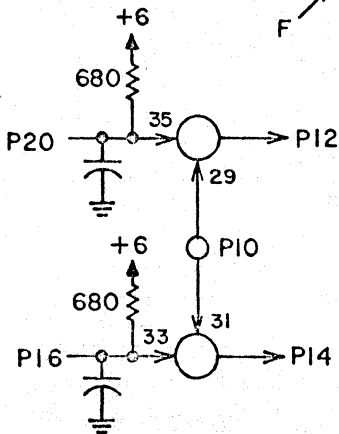
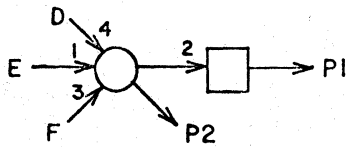
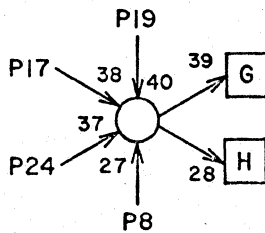
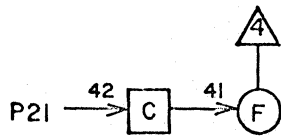
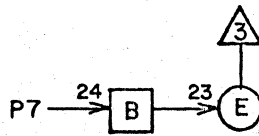
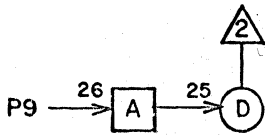
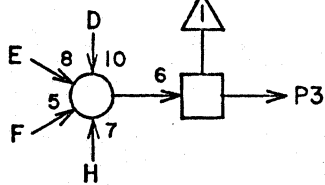
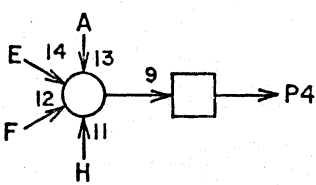
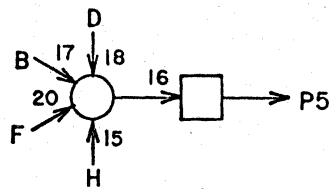
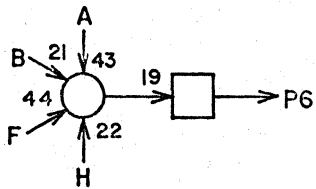
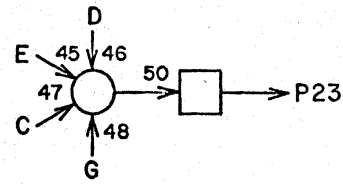
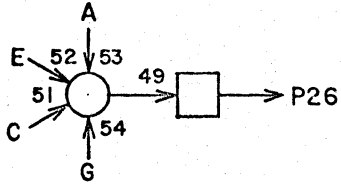
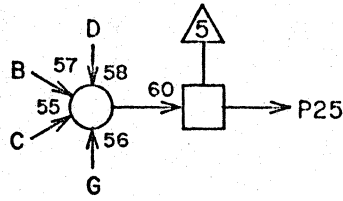
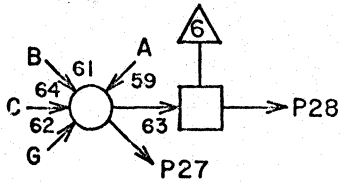




ALL RESISTORS  
680 Ω

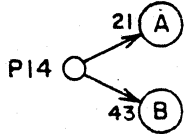
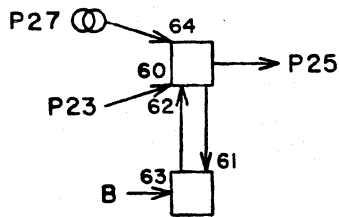
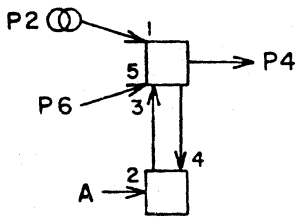
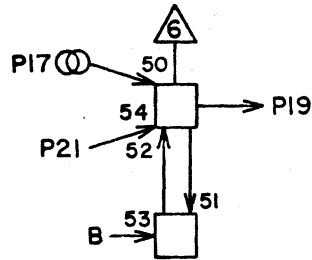
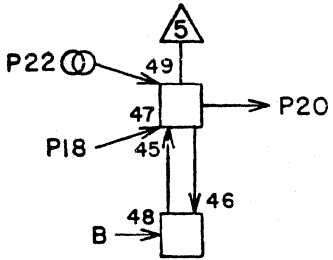
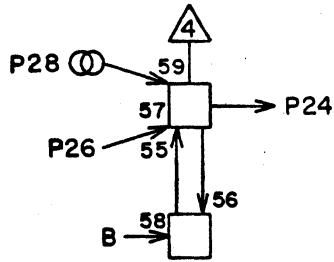
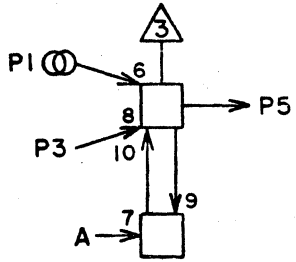
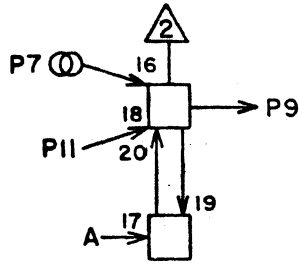
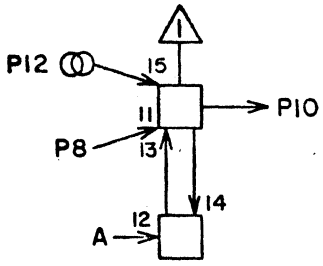
1			
2			
3			
4			
5			
6			
7			
8			
9			
10			
11			
12			
13			
14			
15			
16			
17			
18			
19			
20			
21			
22			
23			
24			
25			
26			
27			
28			

JACK PIN LG  
CIRCUIT SPECIFICATION  
11827600  
60042700 Rev. U



1			
2			
3			
4			
5			
6			
7			
8			
9			
10			
11			
12			
13			
14			
15			
16			
17			
18			
19			
20			
21			
22			
23			
24			
25			
26			
27			
28			

JACK PIN LG  
CIRCUIT SPECIFICATION  
11827600



1			
2			
3			
4			
5			
6			
7			
8			
9			
10			
11			
12			
13			
14			
15			
16			
17			
18			
19			
20			
21			
22			
23			
24			
25			
26			
27			
28			

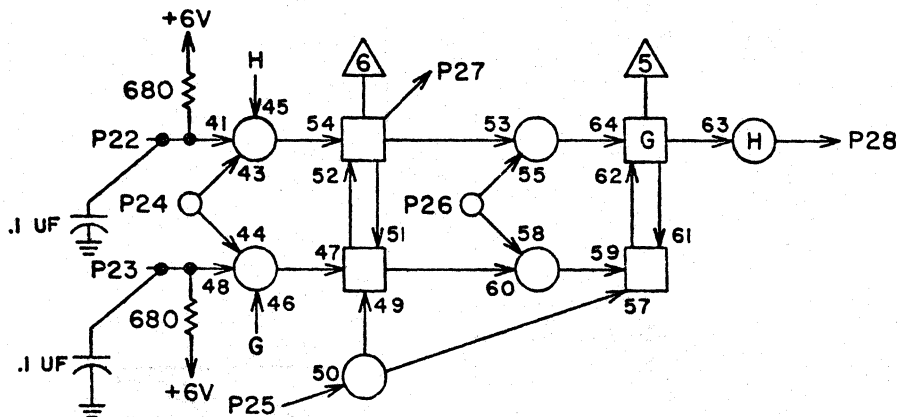
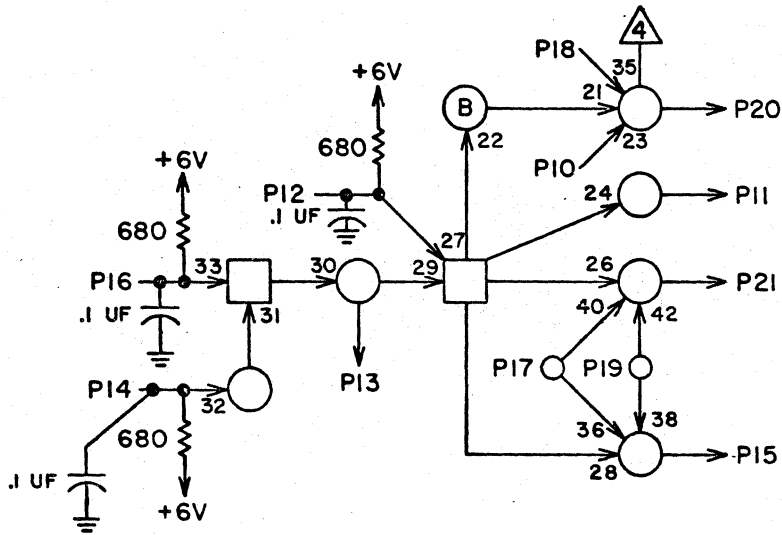
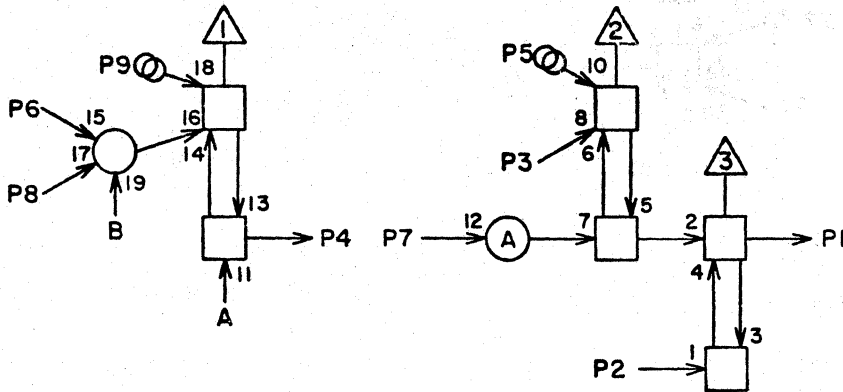
JACK PIN LG  
 SEE CIRCUIT SPECIFICATION  
 11827600  
 60042700 Rev. Y

LS17984900

A  
REV

ASSY

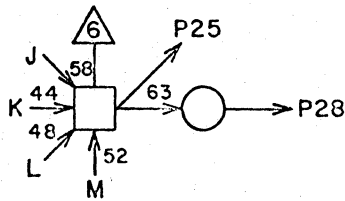
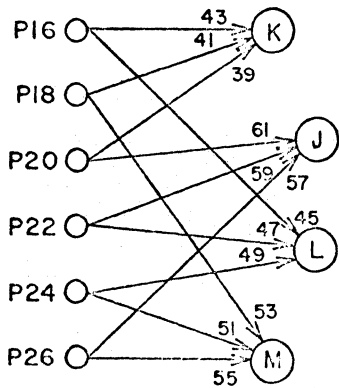
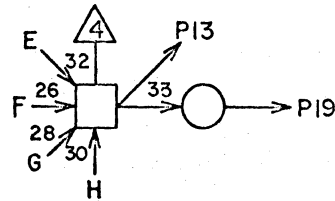
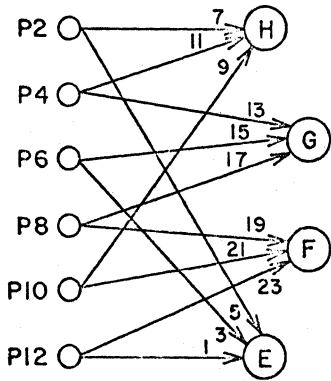
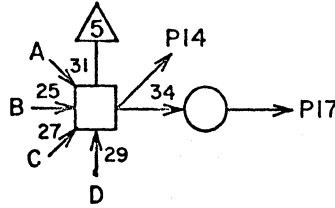
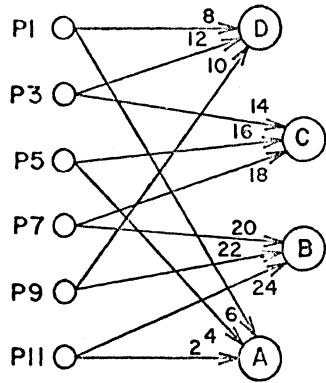
YT



1			
2			
3			
4			
5			
6			
7			
8			
9			
10			
11			
12			
13			
14			
15			
16			
17			
18			
19			
20			
21			
22			
23			
24			
25			
26			
27			
28			

JACK PIN LG

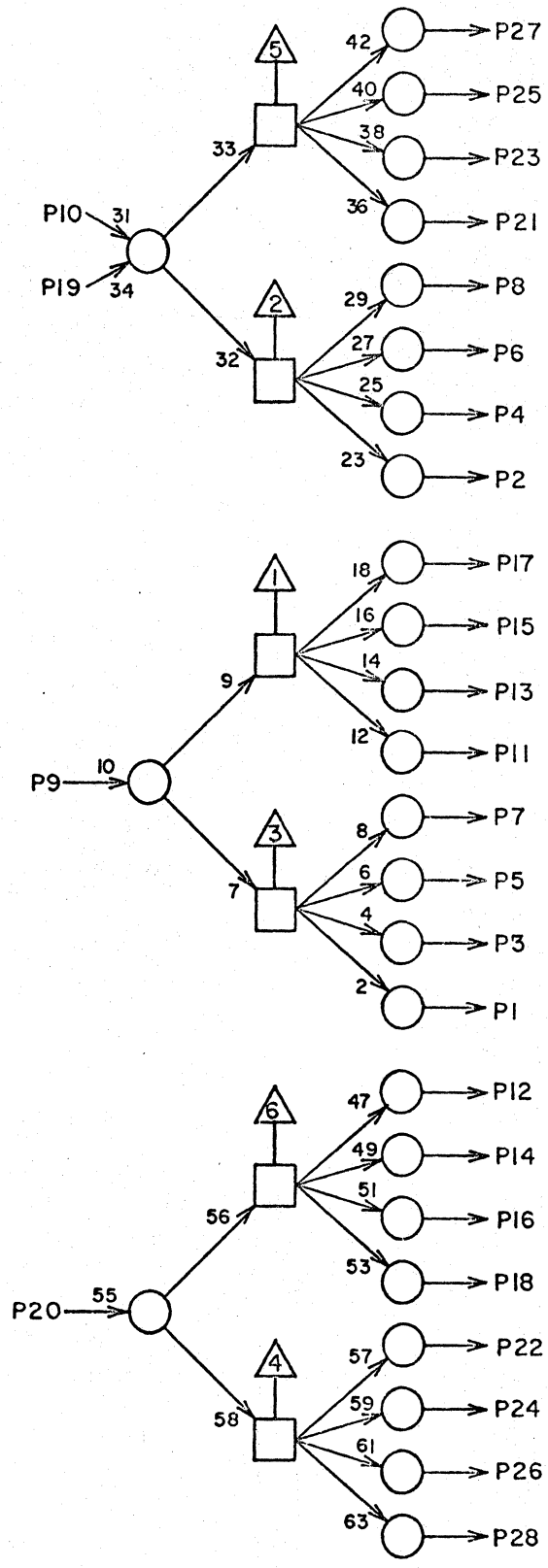
SEE CIRCUIT SPECIFICATION  
11827600  
60042700 Rev. Y



1			
2			
3			
4			
5			
6			
7			
8			
9			
10			
11			
12			
13			
14			
15			
16			
17			
18			
19			
20			
21			
22			
23			
24			
25			
26			
27			
28			

JACK PIN LG

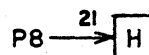
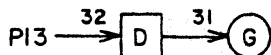
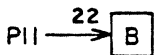
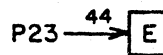
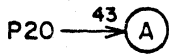
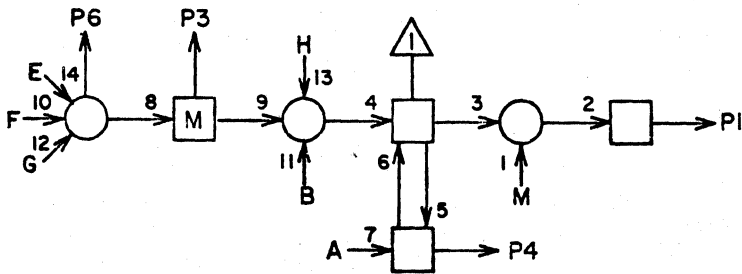
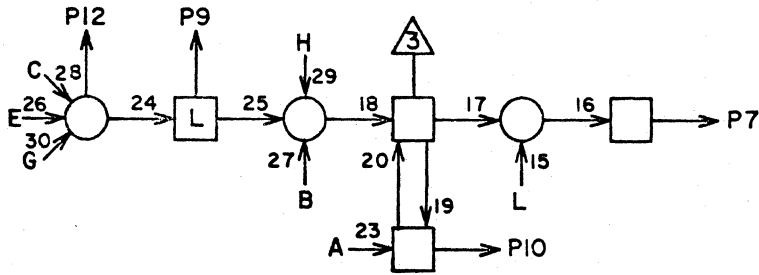
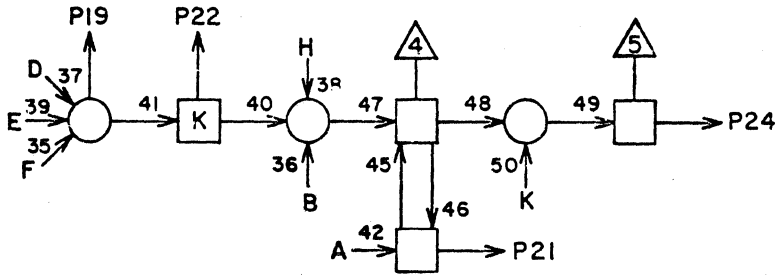
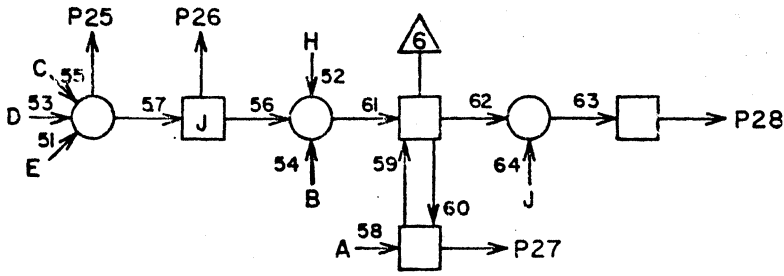
CIRCUIT SPECIFICATION



1			
2			
3			
4			
5			
6			
7			
8			
9			
10			
11			
12			
13			
14			
15			
16			
17			
18			
19			
20			
21			
22			
23			
24			
25			
26			
27			
28			

JACK PIN LG

CIRCUIT SPECIFICATION



1		
2		
3		
4		
5		
6		
7		
8		
9		
10		
11		
12		
13		
14		
15		
16		
17		
18		
19		
20		
21		
22		
23		
24		
25		
26		
27		
28		

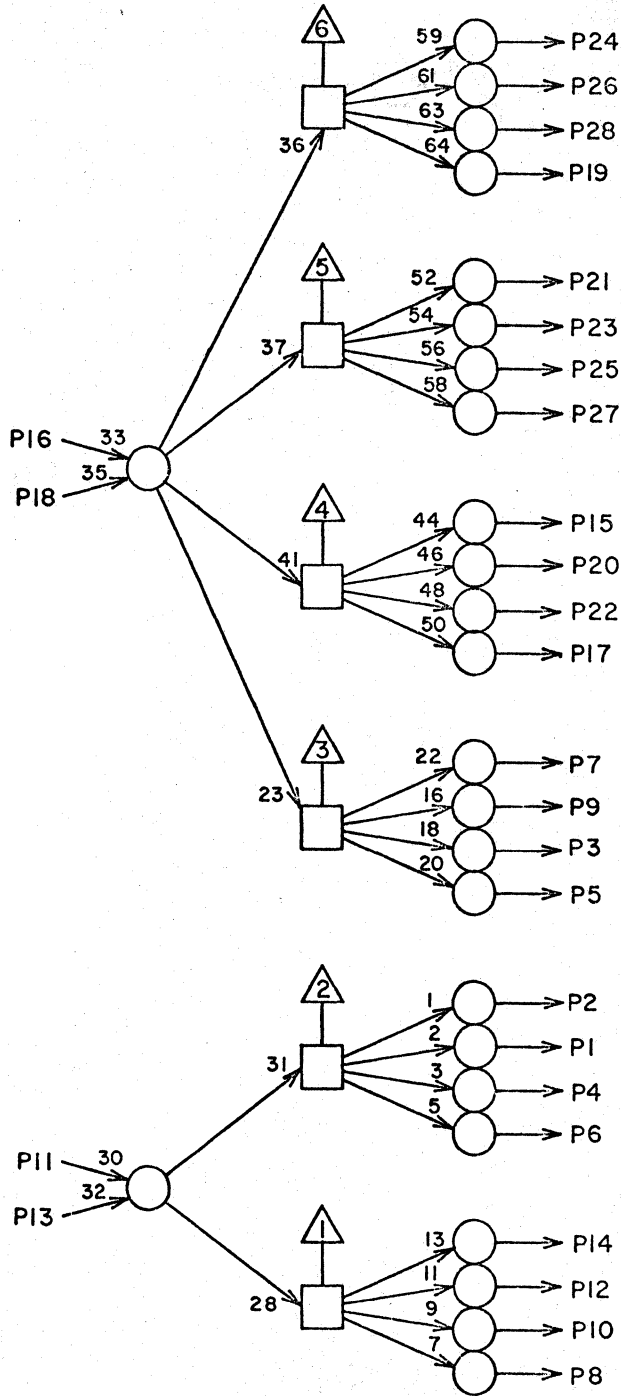
JACK PIN LG

CIRCUIT SPECIFICATION

11827600

60042700 Rev. Y

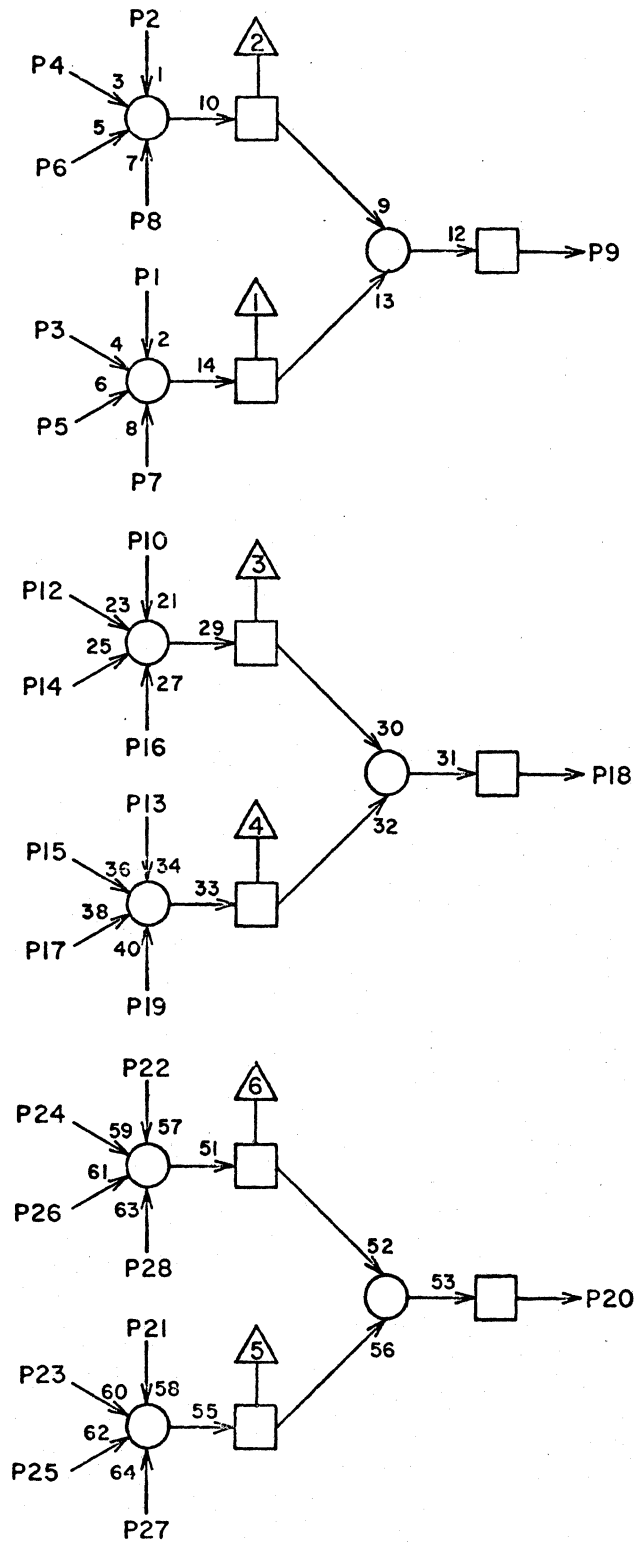
ASSY



JACK PIN LG

CIRCUIT SPECIFICATION

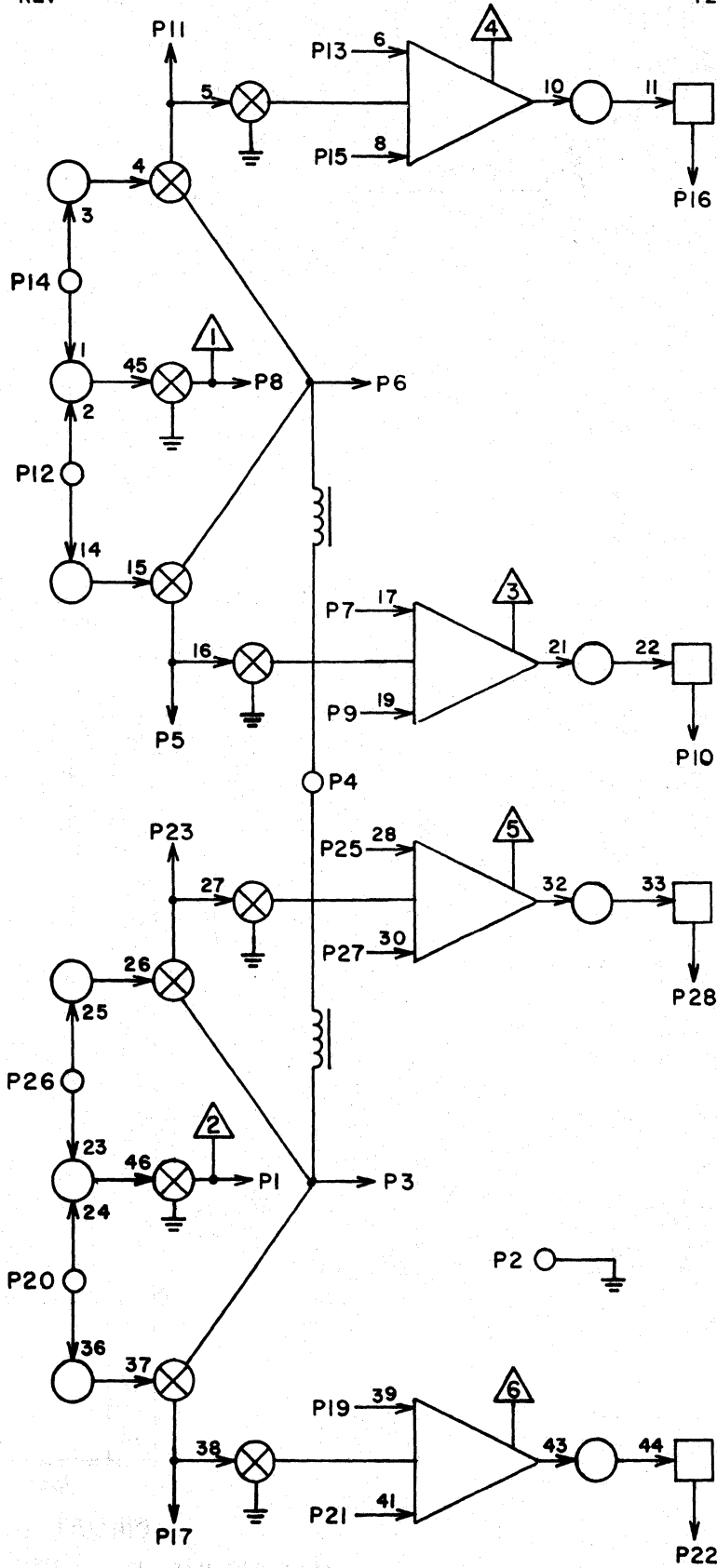




1			
2			
3			
4			
5			
6			
7			
8			
9			
10			
11			
12			
13			
14			
15			
16			
17			
18			
19			
20			
21			
22			
23			
24			
25			
26			
27			
28			

JACK PIN LG

CIRCUIT SPECIFICATION

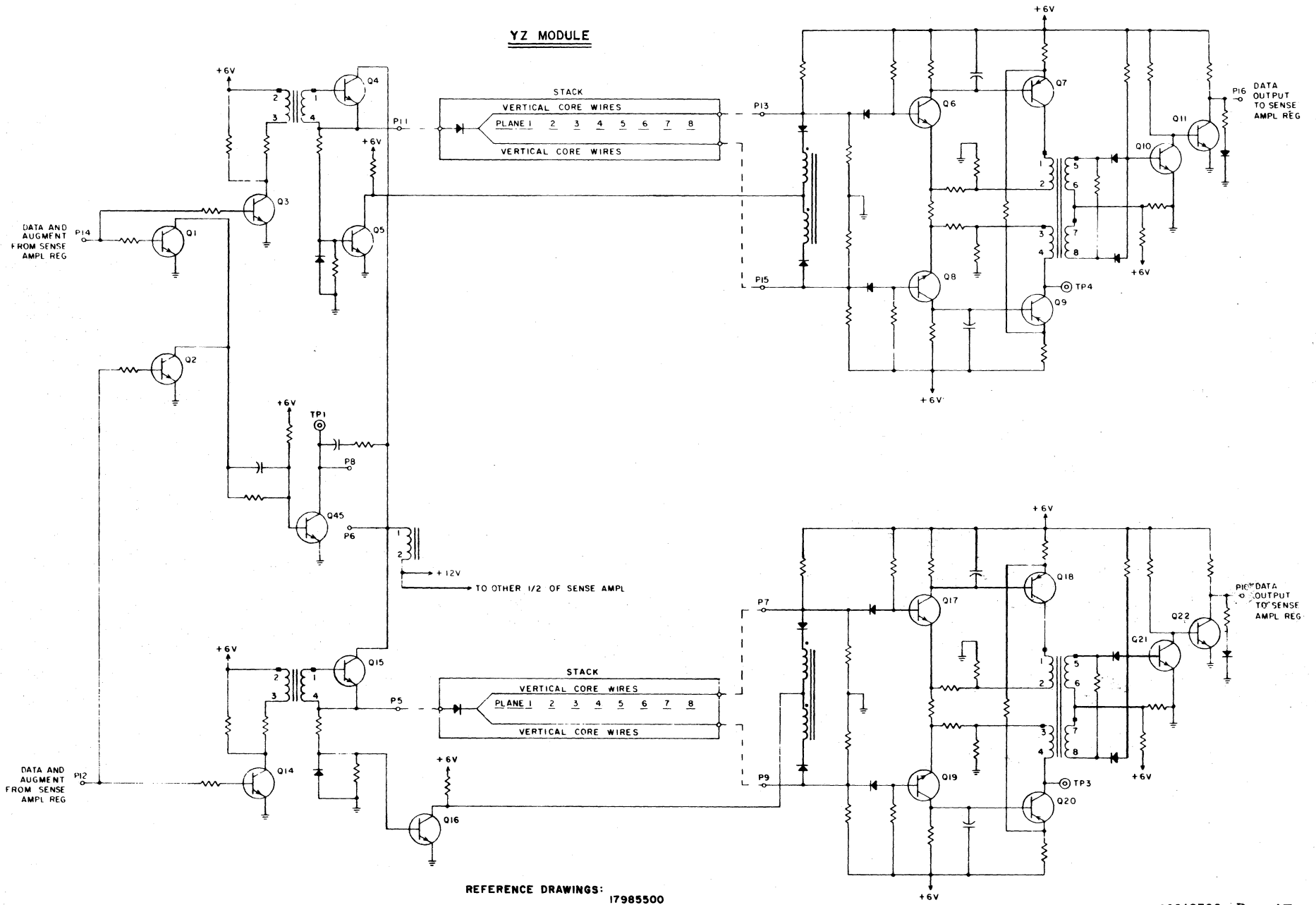


YZ

1			
2			
3			
4			
5			
6			
7			
8			
9			
10			
11			
12			
13			
14			
15			
16			
17			
18			
19			
20			
21			
22			
23			
24			
25			
26			
27			
28			

JACK PIN LG  
CIRCUIT SPECIFICATION  
11843700

**YZ MODULE**



REFERENCE DRAWINGS:  
17985500  
18014900

60042700 Rev AE

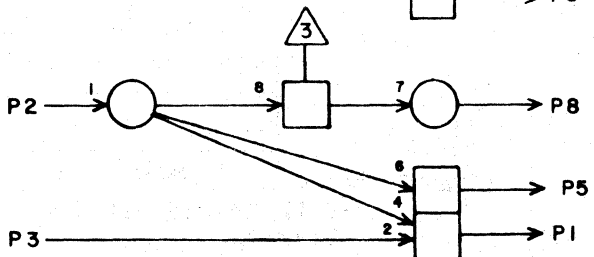
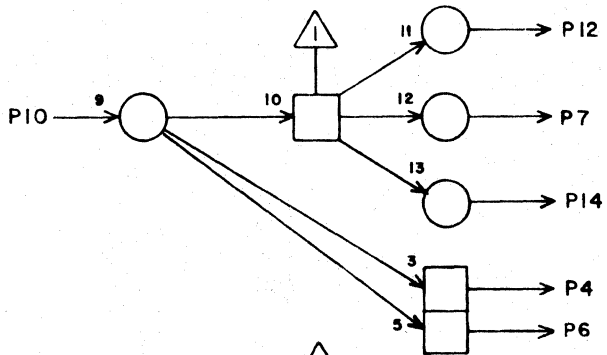
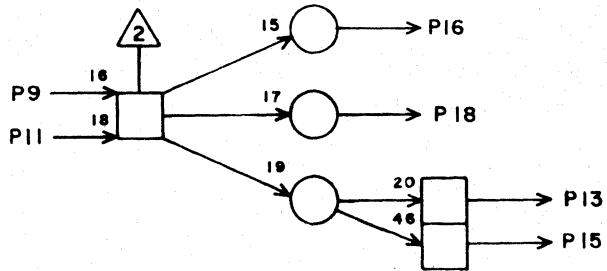
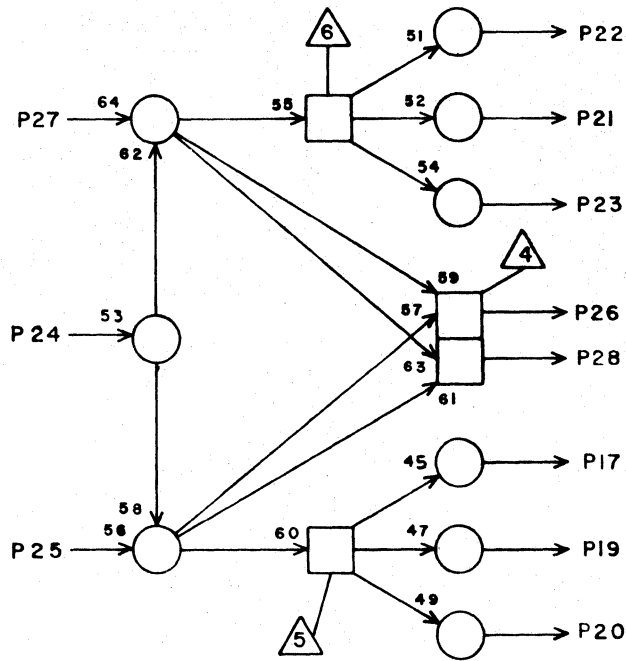




LSI7659600  
ASSY

C  
REV

ZB



1			
2			
3			
4			
5			
6			
7			
8			
9			
10			
11			
12			
13			
14			
15			
16			
17			
18			
19			
20			
21			
22			
23			
24			
25			
26			
27			
28			

JACK PIN LG

CIRCUIT SPECIFICATION 11827600

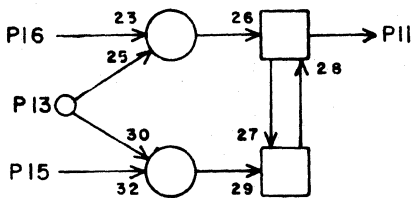
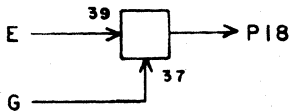
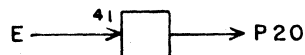
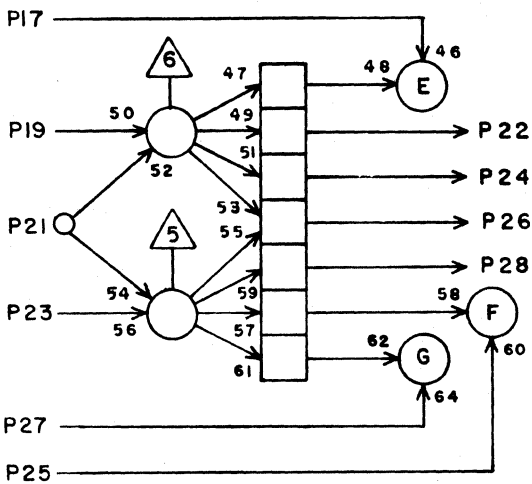
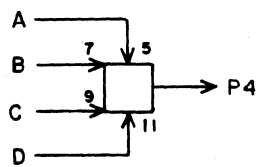
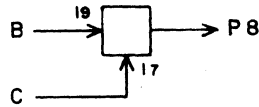
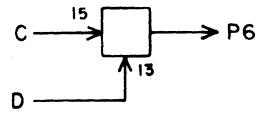
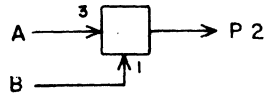
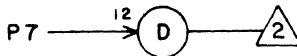
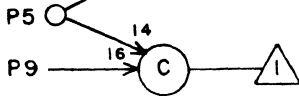
60042700 Rev. J

LSI7659800  
ASSY

**E**  
REV

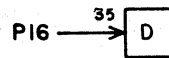
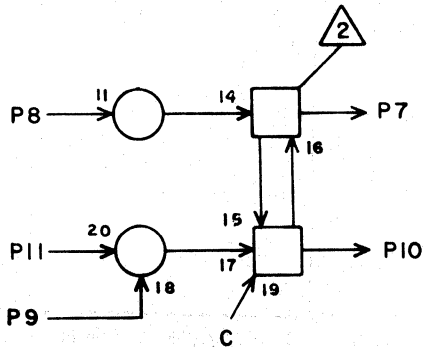
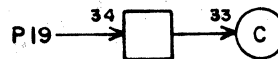
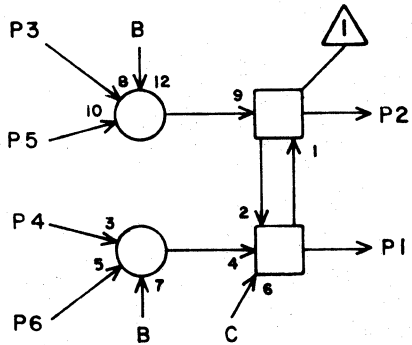
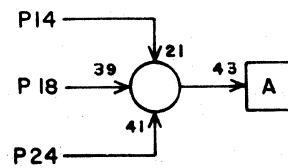
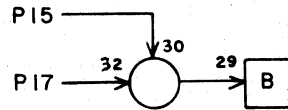
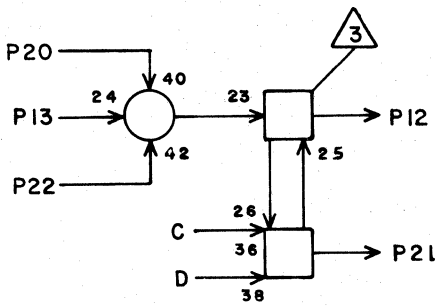
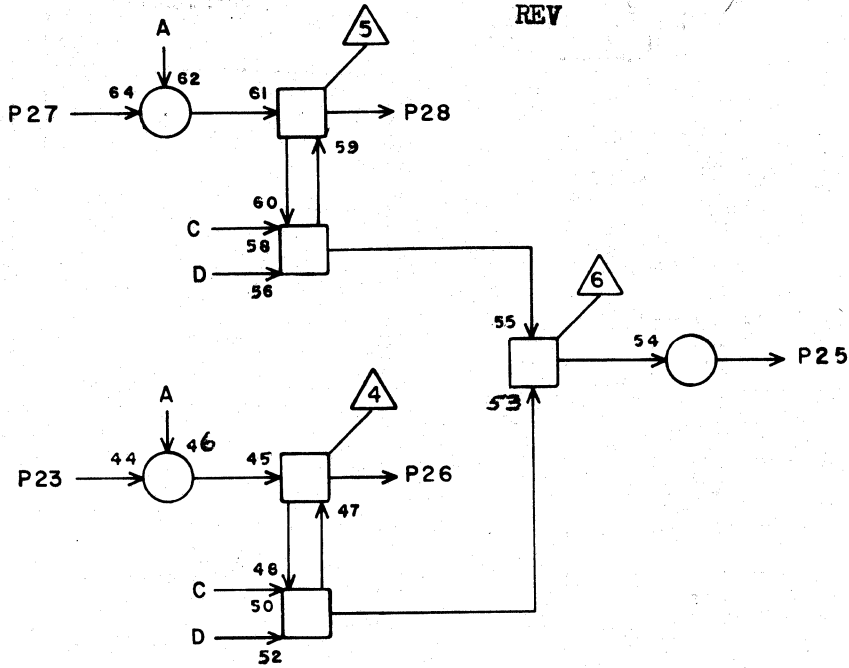
ZC

[ ]



1		
2		
3		
4		
5		
6		
7		
8		
9		
10		
11		
12		
13		
14		
15		
16		
17		
18		
19		
20		
21		
22		
23		
24		
25		
26		
27		
28		

JACK PIN LG  
60042700 Rev AB



1			
2			
3			
4			
5			
6			
7			
8			
9			
10			
11			
12			
13			
14			
15			
16			
17			
18			
19			
20			
21			
22			
23			
24			
25			
26			
27			
28			

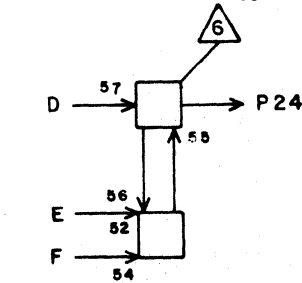
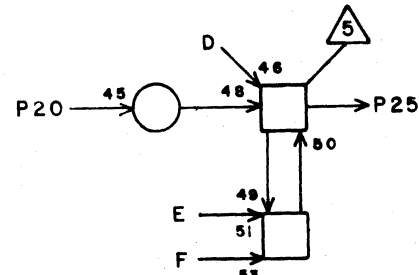
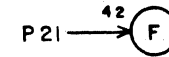
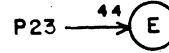
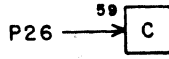
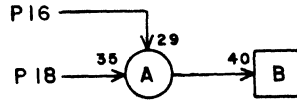
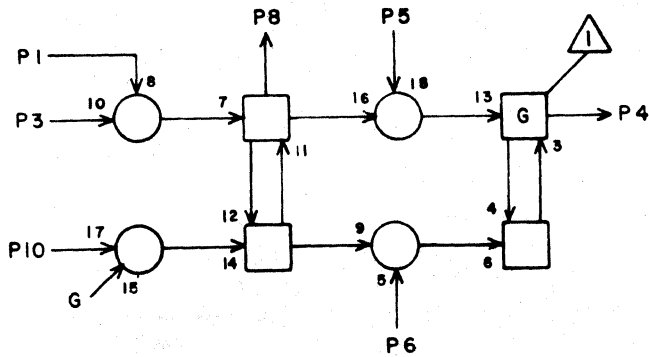
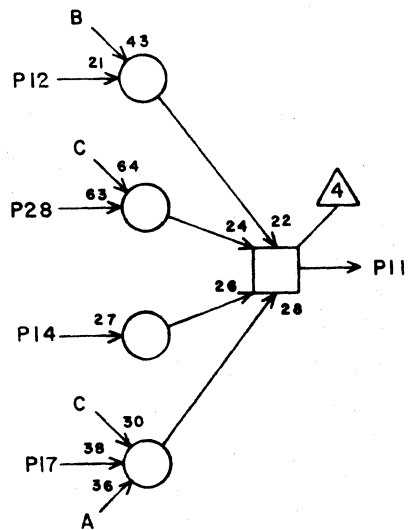
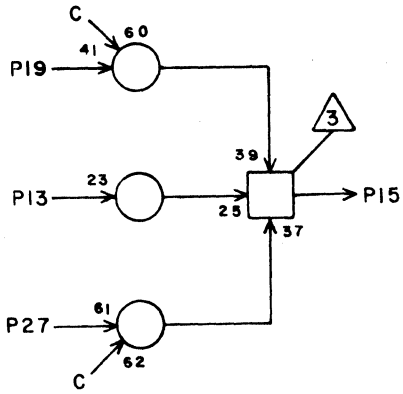
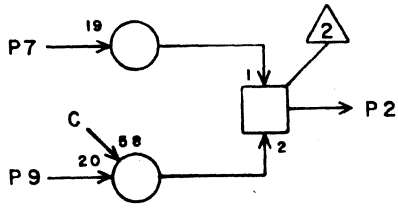
JACK PIN LG



LSI7660200  
ASSY

**B**  
REV

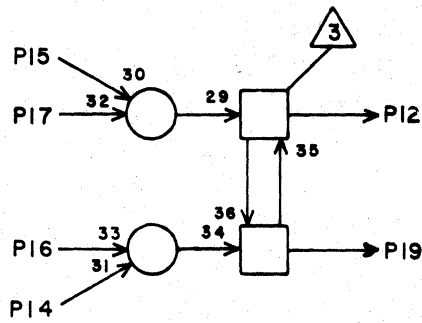
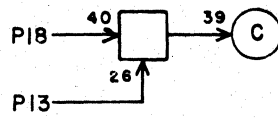
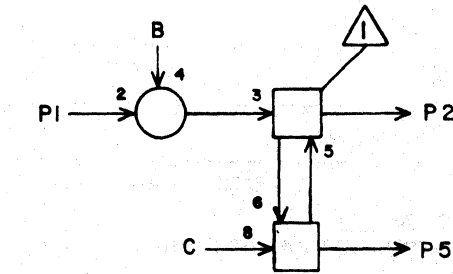
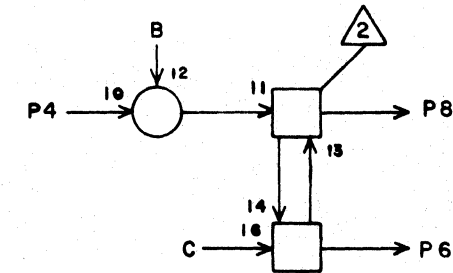
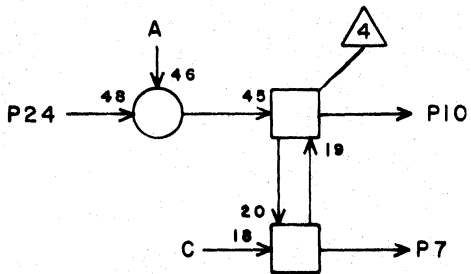
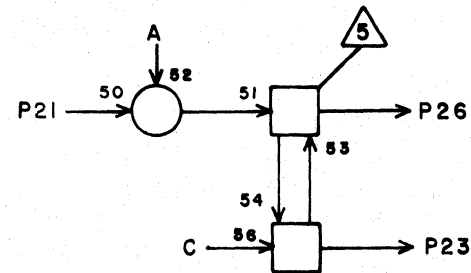
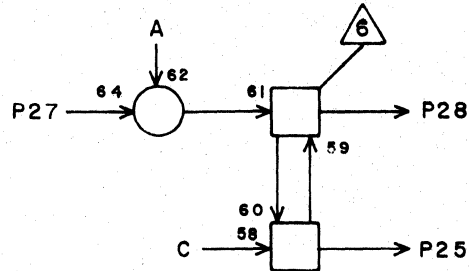
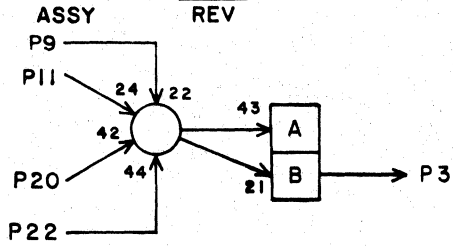
ZE



1			
2			
3			
4			
5			
6			
7			
8			
9			
10			
11			
12			
13			
14			
15			
16			
17			
18			
19			
20			
21			
22			
23			
24			
25			
26			
27			
28			

JACK PIN LG

60042700 Rev. K  
CIRCUIT SPECIFICATION 11827600



1			
2			
3			
4			
5			
6			
7			
8			
9			
10			
11			
12			
13			
14			
15			
16			
17			
18			
19			
20			
21			
22			
23			
24			
25			
26			
27			
28			

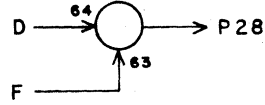
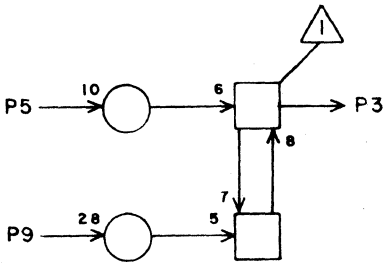
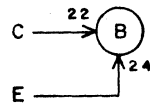
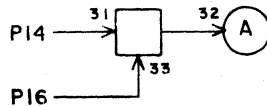
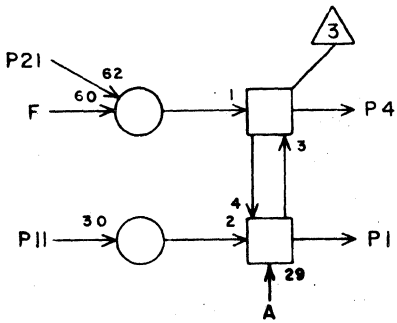
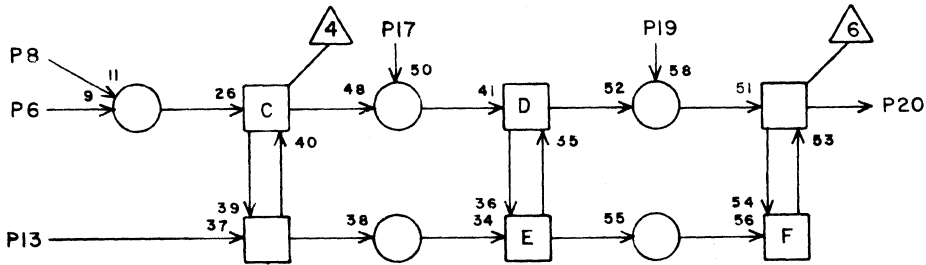
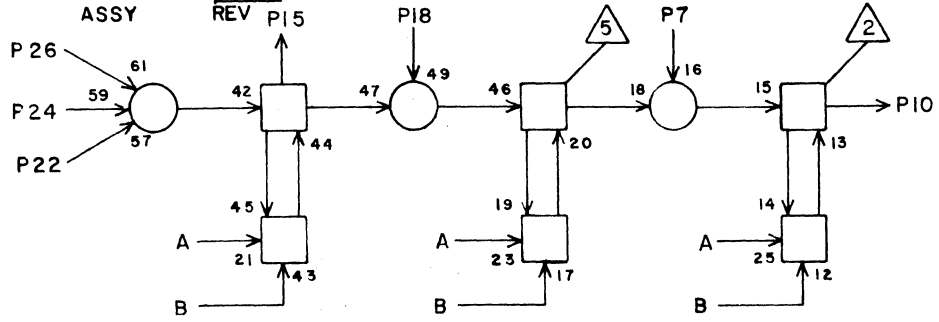
JACK PIN LG

CIRCUIT SPECIFICATION

LSI7660600

REV C

Z6



P23 ————> + 6

P25 ————> + 6

P27 ————> + 6

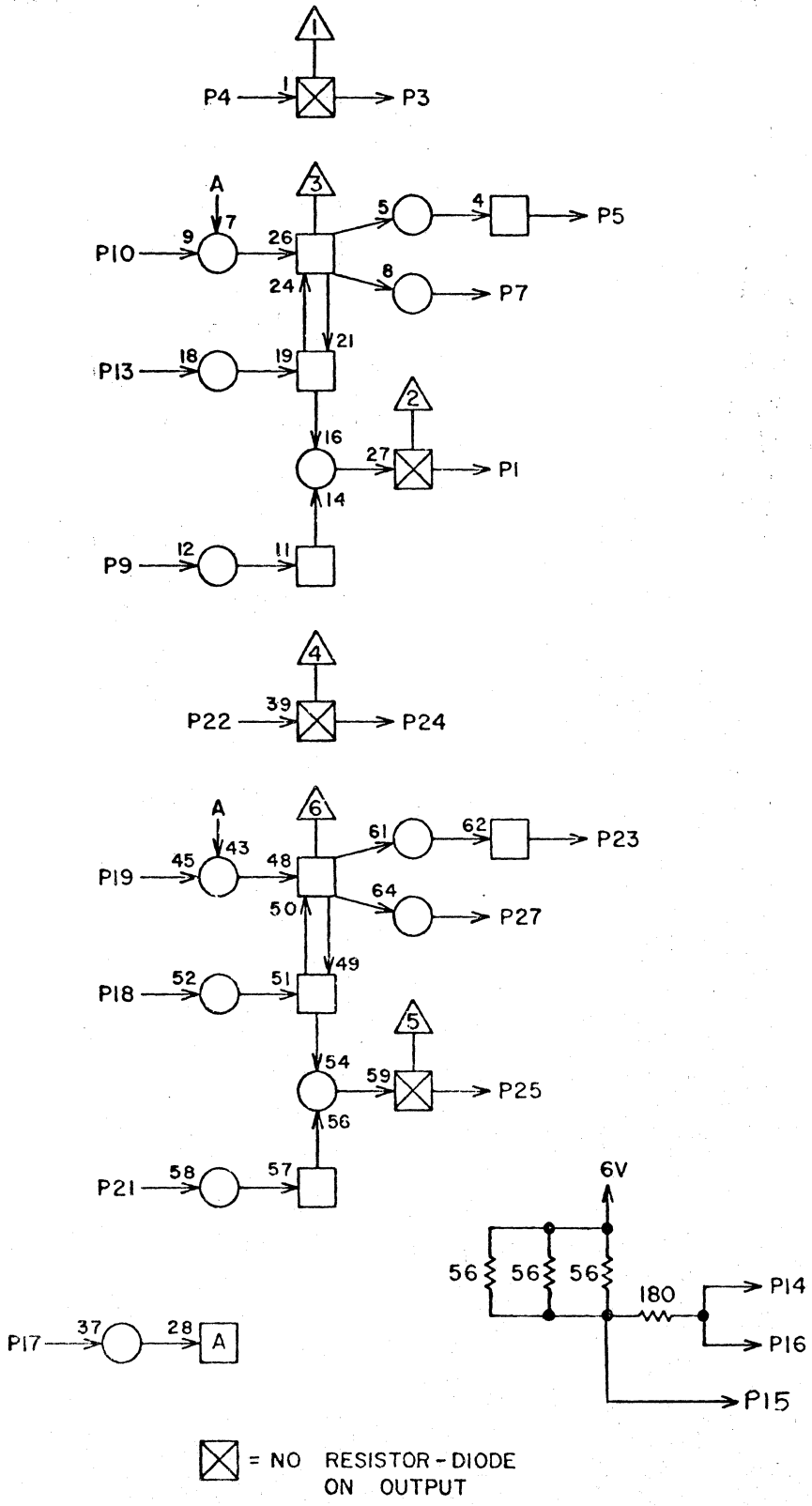
1			
2			
3			
4			
5			
6			
7			
8			
9			
10			
11			
12			
13			
14			
15			
16			
17			
18			
19			
20			
21			
22			
23			
24			
25			
26			
27			
28			

JACK PIN LG

60042700 Rev. K

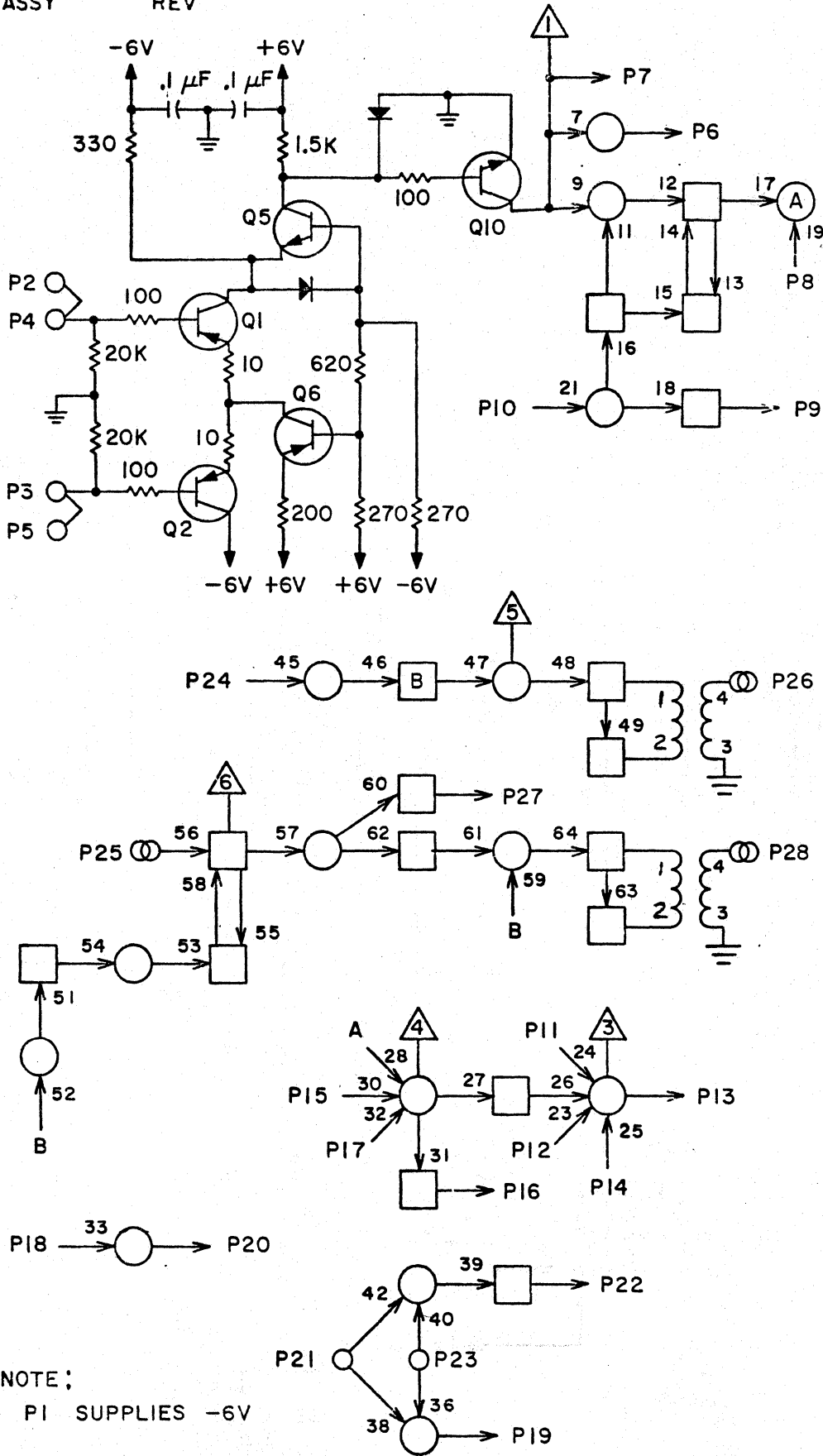
CIRCUIT SPECIFICATION 11827600





1			
2			
3			
4			
5			
6			
7			
8			
9			
10			
11			
12			
13			
14			
15			
16			
17			
18			
19			
20			
21			
22			
23			
24			
25			
26			
27			
28			

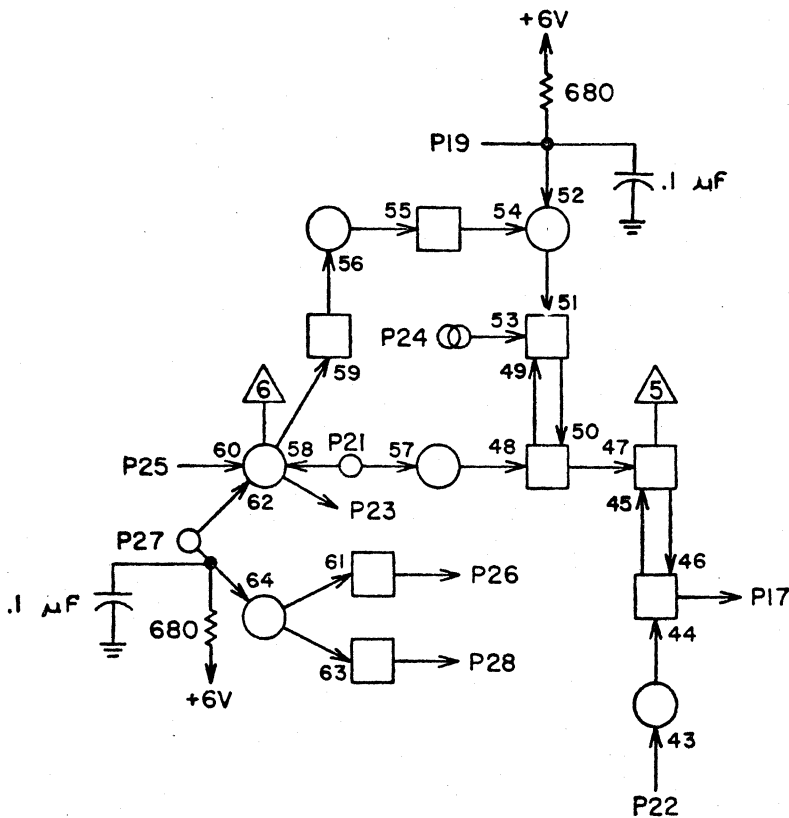
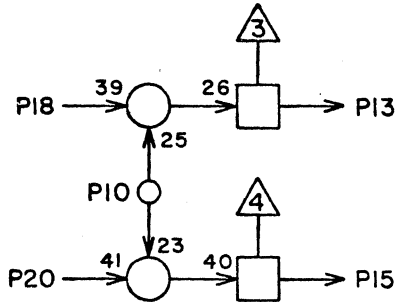
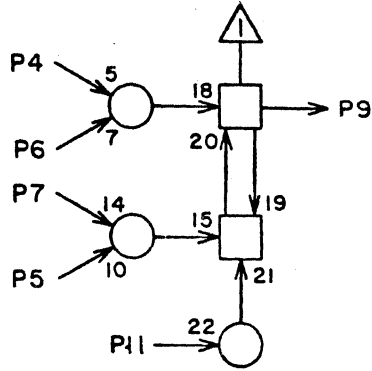
JACK PIN LG  
 SEE CIRCUIT SPECIFICATION  
 11827600  
 60042700 Rev. AF



NOTE:  
PI SUPPLIES -6V

1			
2			
3			
4			
5			
6			
7			
8			
9			
10			
11			
12			
13			
14			
15			
16			
17			
18			
19			
20			
21			
22			
23			
24			
25			
26			
27			
28			

JACK PIN LG  
SEE CIRCUIT SPECIFICATION  
11827600



1			
2			
3			
4			
5			
6			
7			
8			
9			
10			
11			
12			
13			
14			
15			
16			
17			
18			
19			
20			
21			
22			
23			
24			
25			
26			
27			
28			

JACK PIN LG  
SEE CIRCUIT SPECIFICATION  
11827600  
60042700 Rev. Y

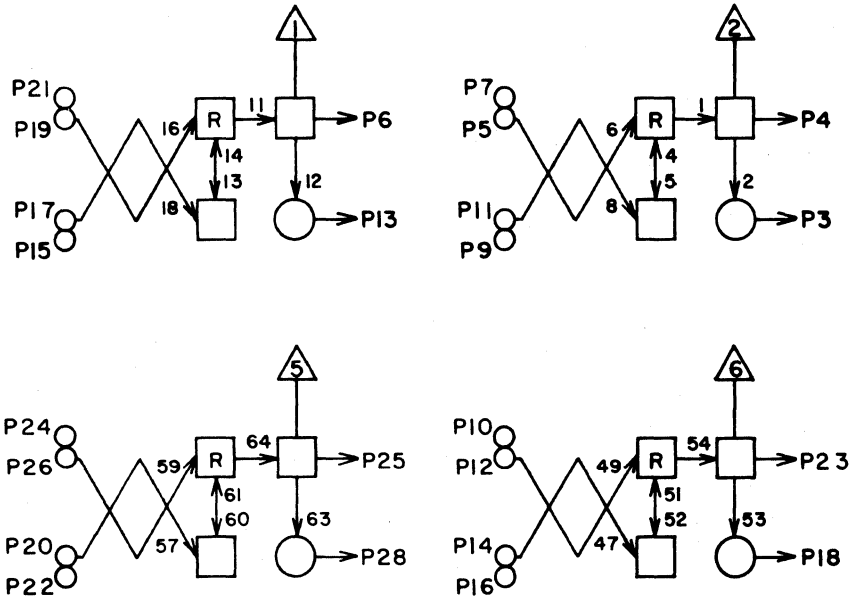




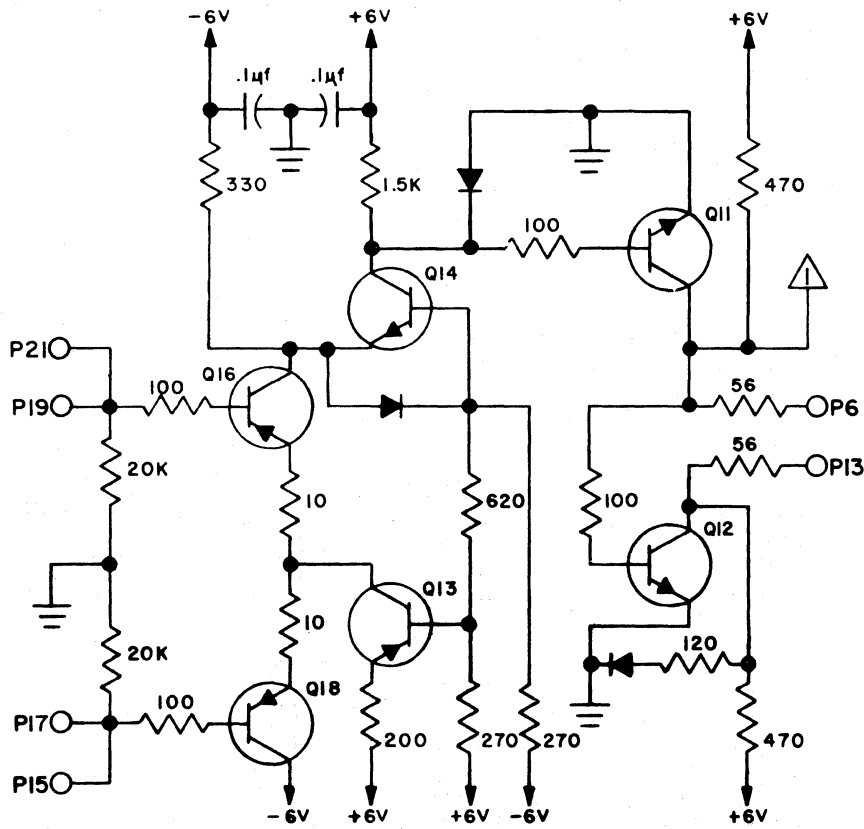
LSI7876300  
ASSY

F  
REV

ZR



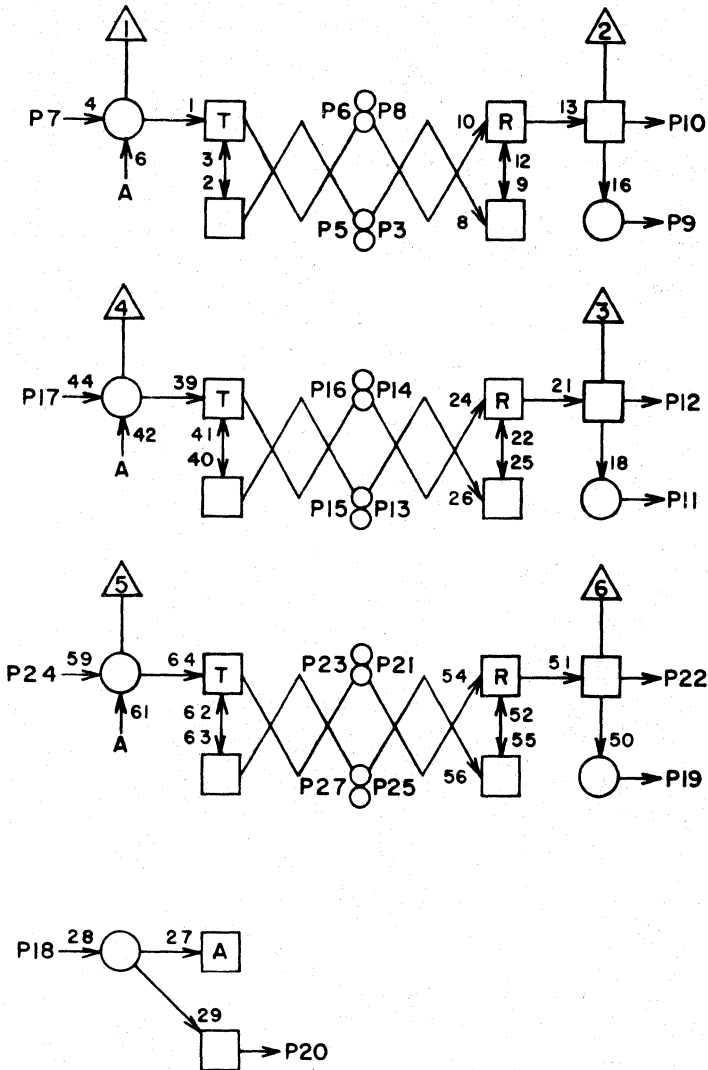
-6VDC is supplied via pin 1.



1			
2			
3			
4			
5			
6			
7			
8			
9			
10			
11			
12			
13			
14			
15			
16			
17			
18			
19			
20			
21			
22			
23			
24			
25			
26			
27			
28			

JACK PIN LG

60042700 Rev. AF

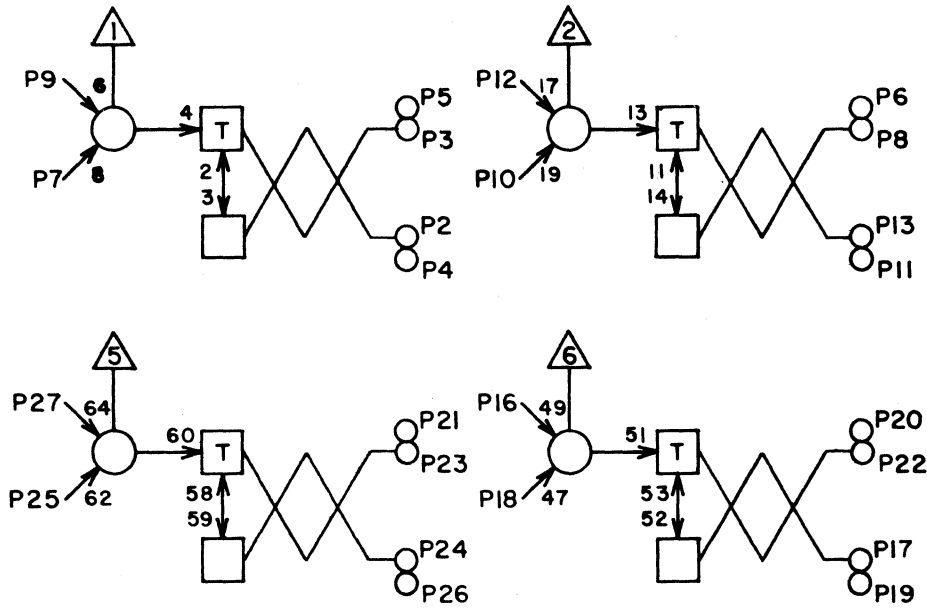


NOTES:

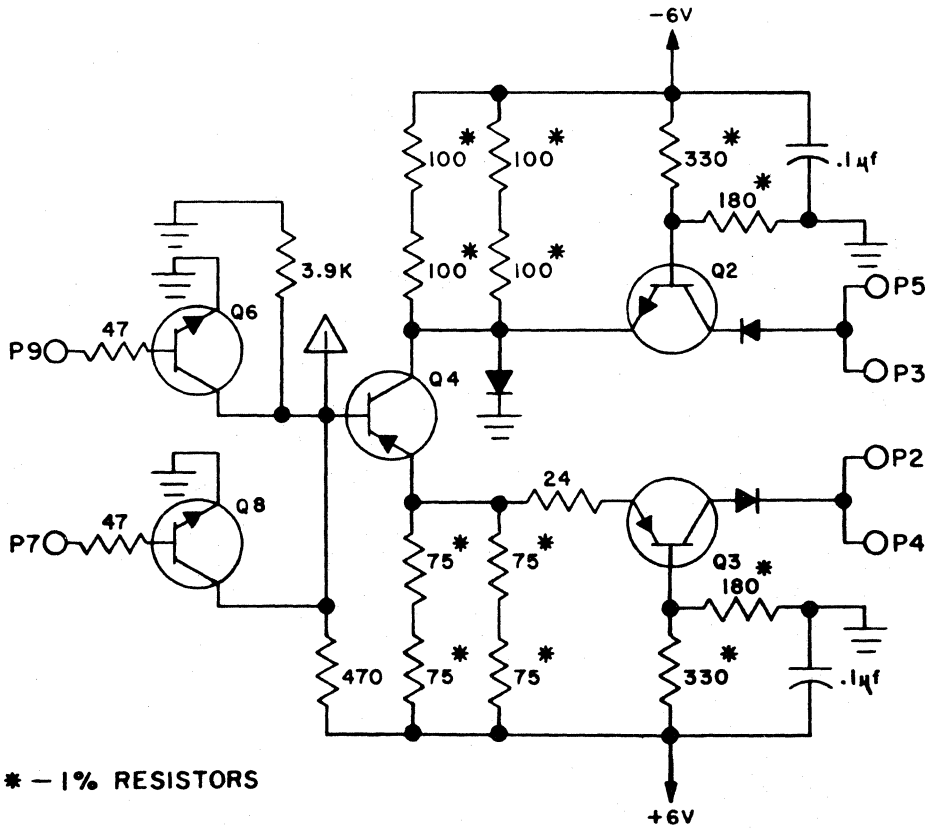
1. REFERENCE DRAWINGS:  
17876500 LOGIC SCHEMATIC ZT  
17876300 LOGIC SCHEMATIC ZR
2. THIS CIRCUIT IS A COMBINATION OF CIRCUITS ZR & ZT.
3. THE BASE RESISTORS ON TRANSISTOR 6, 42, & 61 ARE 150 OHMS.
4. THERE ARE ONLY TWO FILTER CAPACITORS. ONE BETWEEN +6V AND GROUND AND ONE BETWEEN -6V AND GROUND.
5. -6VDC is supplied via pin 1

1			
2			
3			
4			
5			
6			
7			
8			
9			
10			
11			
12			
13			
14			
15			
16			
17			
18			
19			
20			
21			
22			
23			
24			
25			
26			
27			
28			

JACK PIN LG



-6VDC is supplied via pin 1.

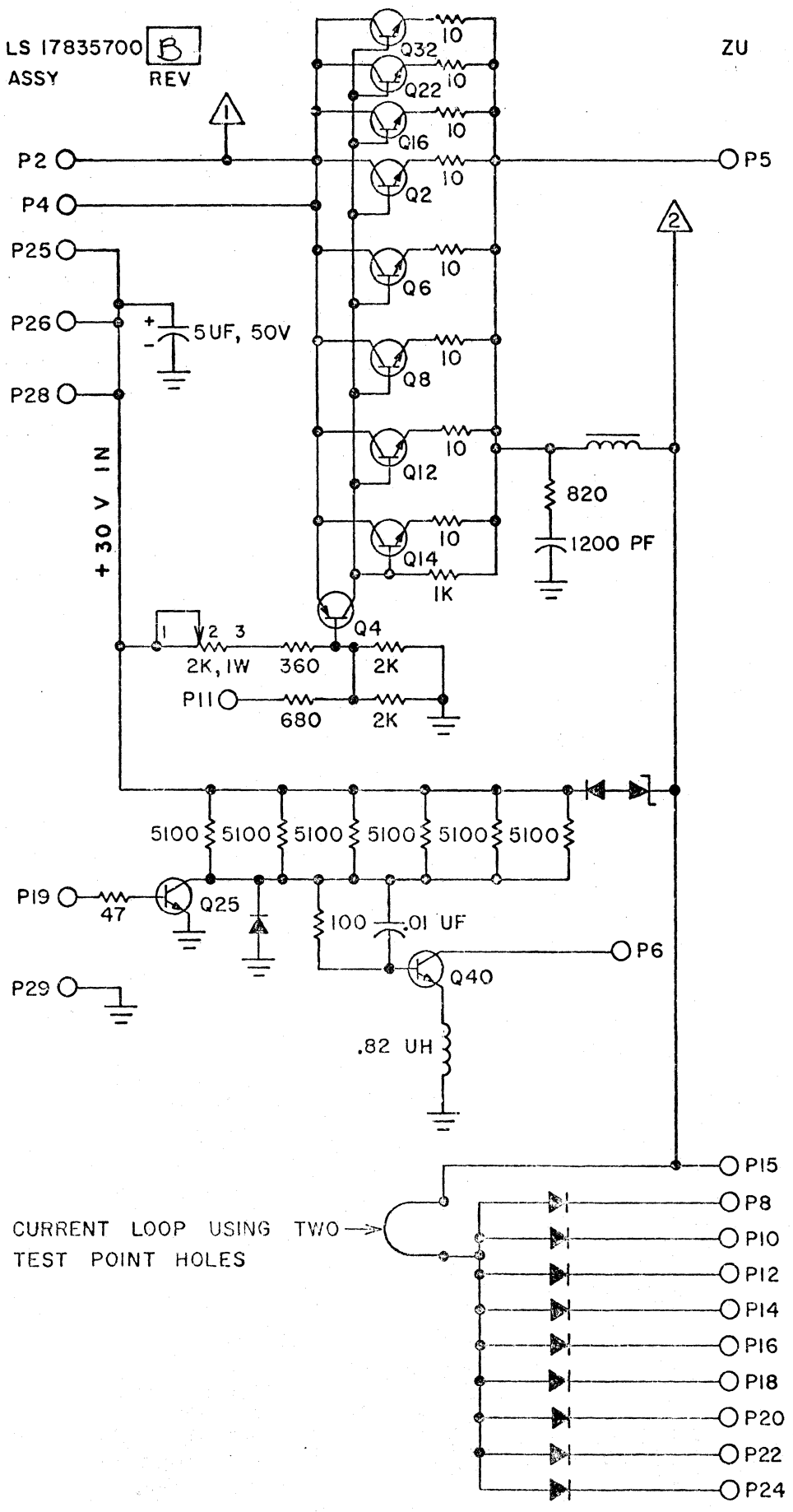


\* - 1% RESISTORS

1			
2			
3			
4			
5			
6			
7			
8			
9			
10			
11			
12			
13			
14			
15			
16			
17			
18			
19			
20			
21			
22			
23			
24			
25			
26			
27			
28			



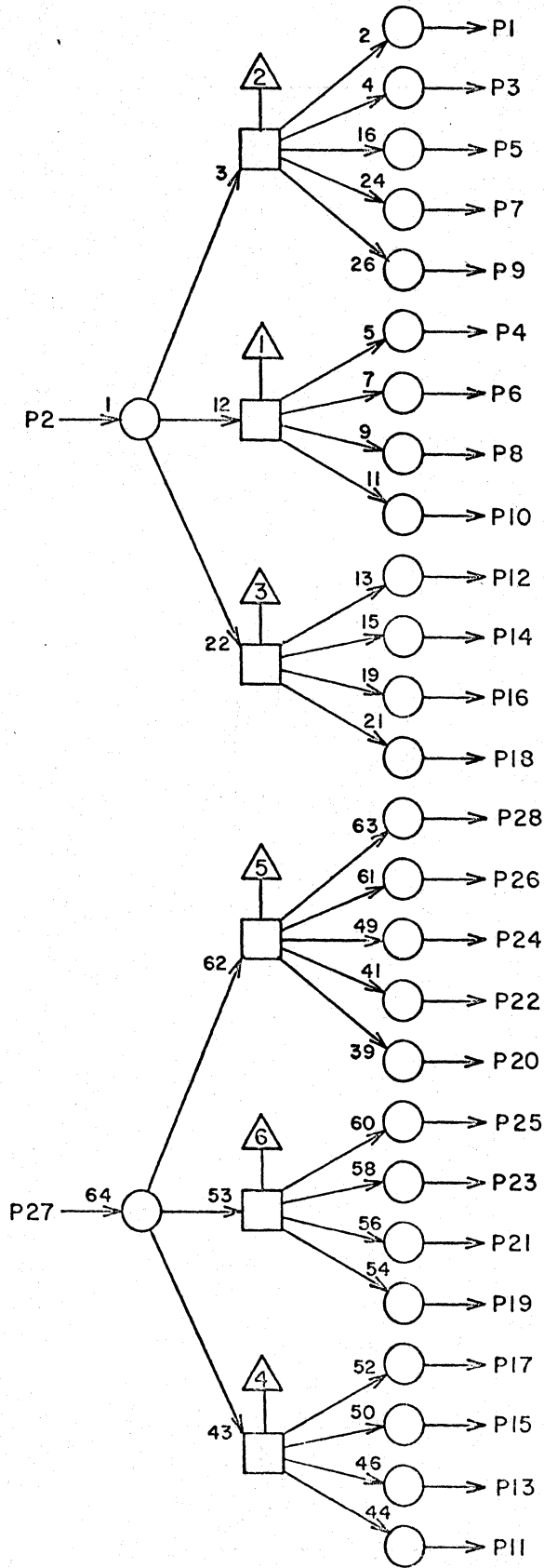
LS 17835700 **B**  
 ASSY REV



CURRENT LOOP USING TWO  
 TEST POINT HOLES

1			
2			
3			
4			
5			
6			
7			
8			
9			
10			
11			
12			
13			
14			
15			
16			
17			
18			
19			
20			
21			
22			
23			
24			
25			
26			
27			
28			

JACK PIN LG  
 SEE CIRCUIT SPECIFICATION  
 52000062  
 60042700 Rev. U



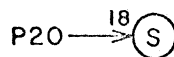
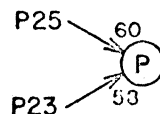
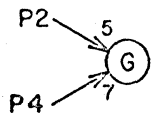
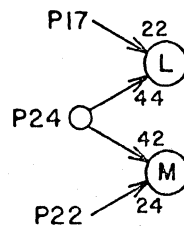
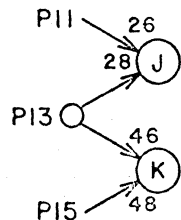
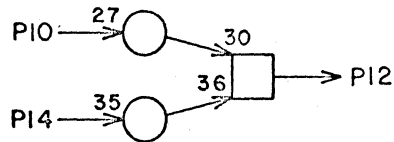
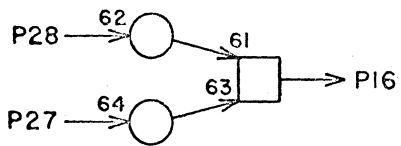
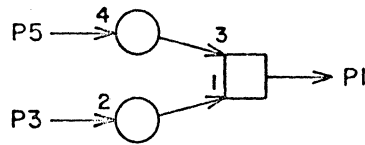
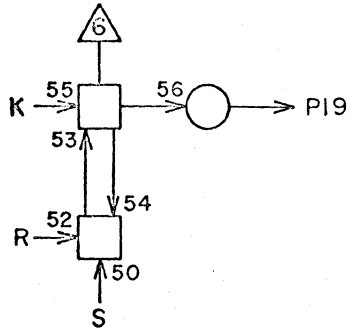
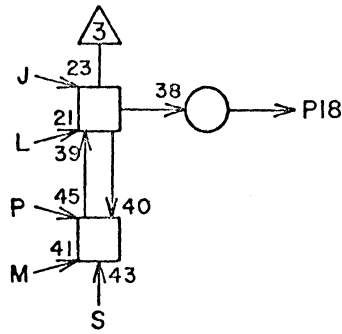
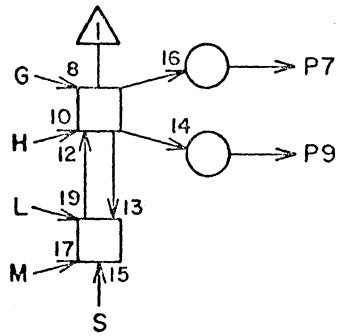
1			
2			
3			
4			
5			
6			
7			
8			
9			
10			
11			
12			
13			
14			
15			
16			
17			
18			
19			
20			
21			
22			
23			
24			
25			
26			
27			
28			

JACK PIN LG  
CIRCUIT SPECIFICATION  
11827600  
60042700 Rev. U

LS 18169300  
ASSY

A  
REV

ZW



1			
2			
3			
4			
5			
6			
7			
8			
9			
10			
11			
12			
13			
14			
15			
16			
17			
18			
19			
20			
21			
22			
23			
24			
25			
26			
27			
28			

JACK PIN LG

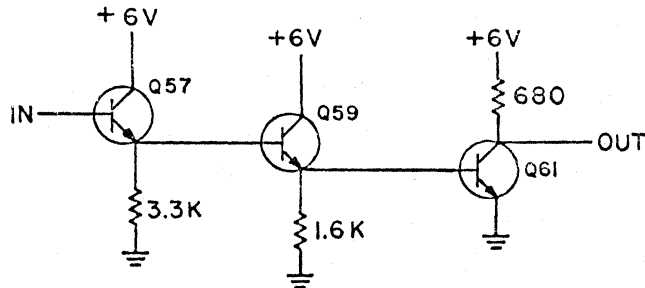
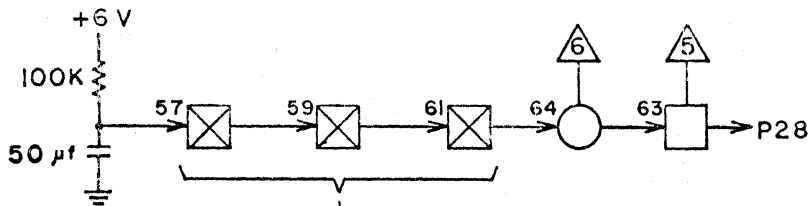
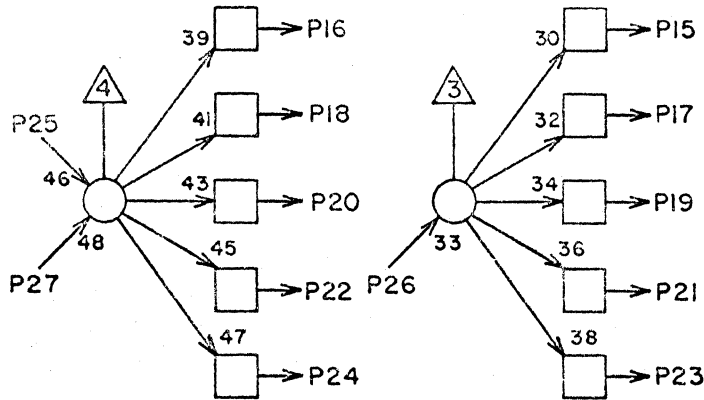
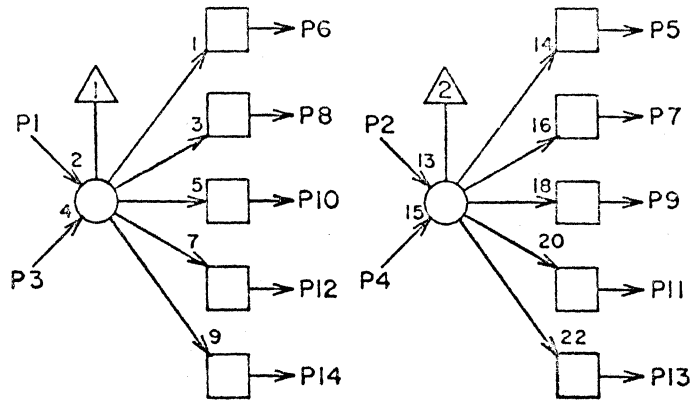
SEE CIRCUIT SPECIFICATION

11827600

60042700 Rev.U







1			
2			
3			
4			
5			
6			
7			
8			
9			
10			
11			
12			
13			
14			
15			
16			
17			
18			
19			
20			
21			
22			
23			
24			
25			
26			
27			
28			

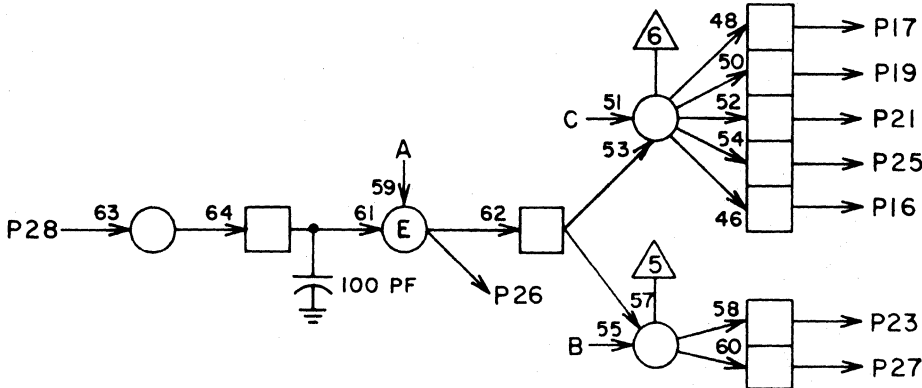
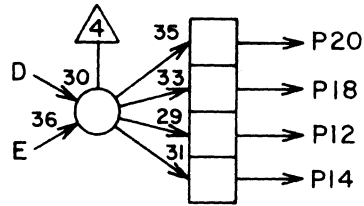
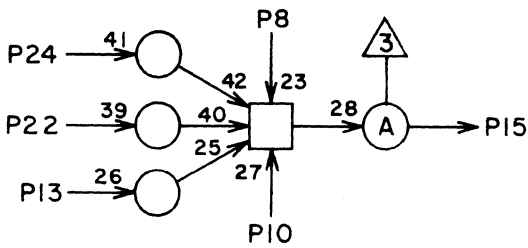
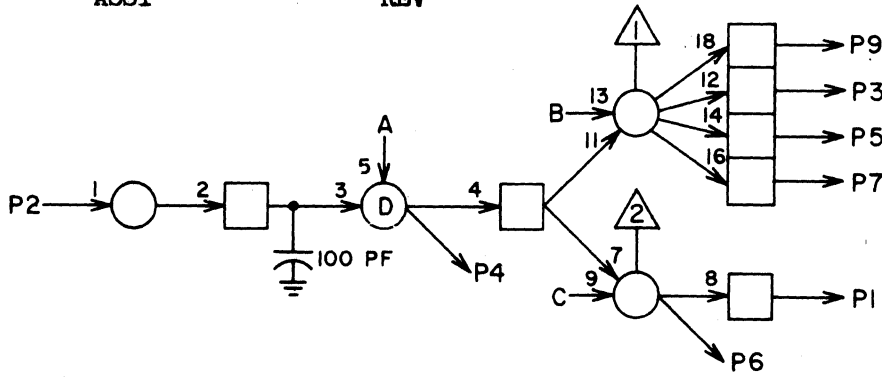
JACK PIN LG  
SEE CIRCUIT SPECIFICATION  
11827600  
52000046



LS 18120300  
ASSY

C  
REV

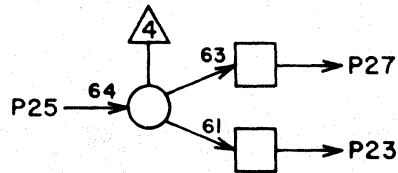
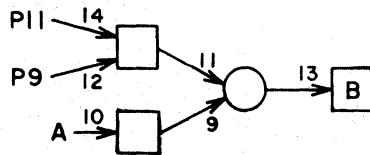
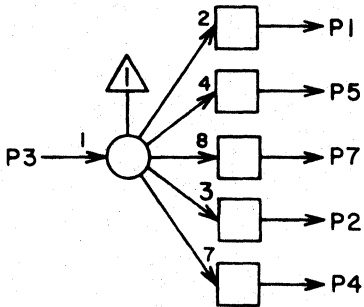
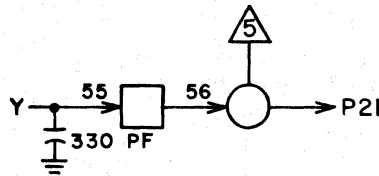
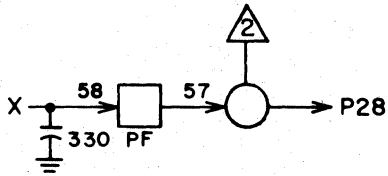
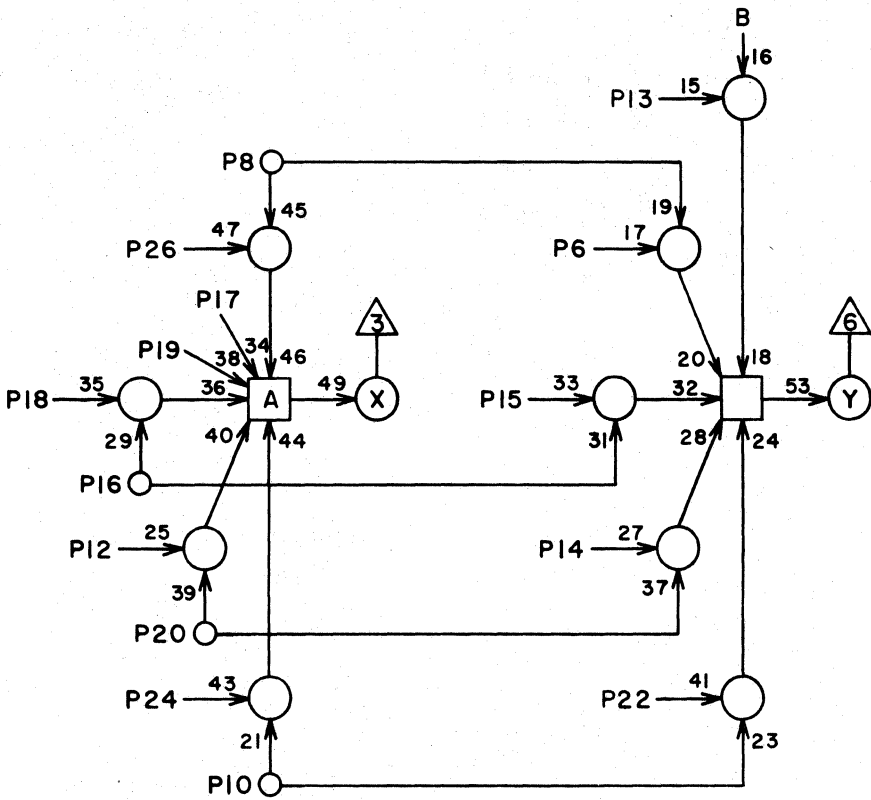
Z00



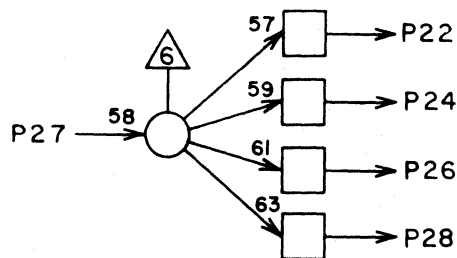
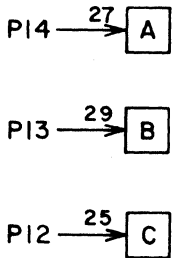
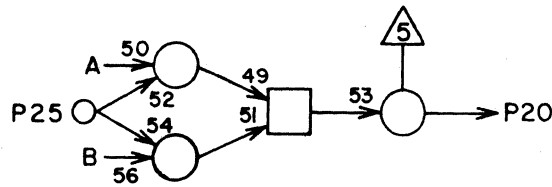
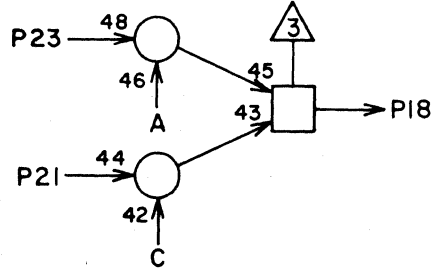
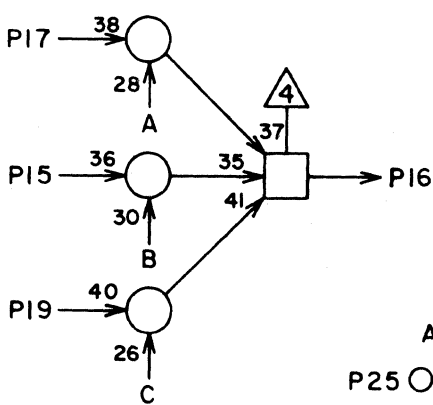
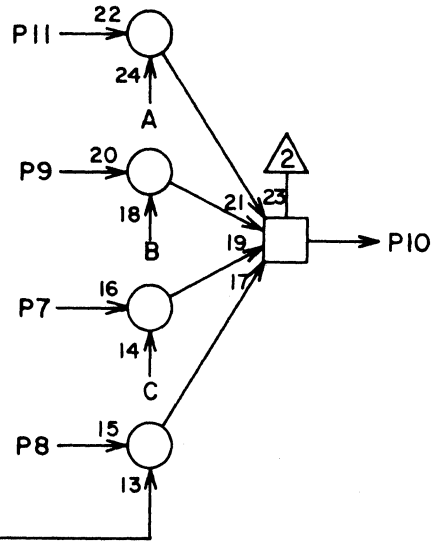
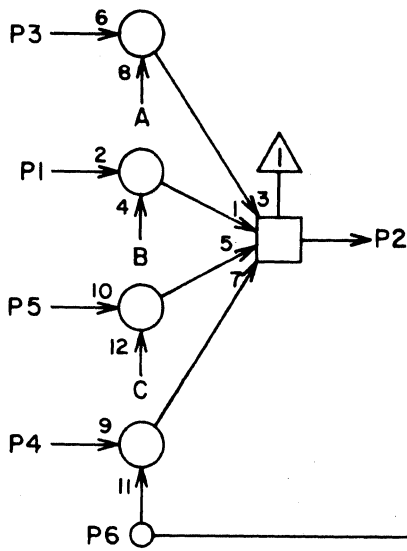
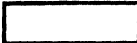
1			
2			
3			
4			
5			
6			
7			
8			
9			
10			
11			
12			
13			
14			
15			
16			
17			
18			
19			
20			
21			
22			
23			
24			
25			
26			
27			
28			

JACK PIN LG

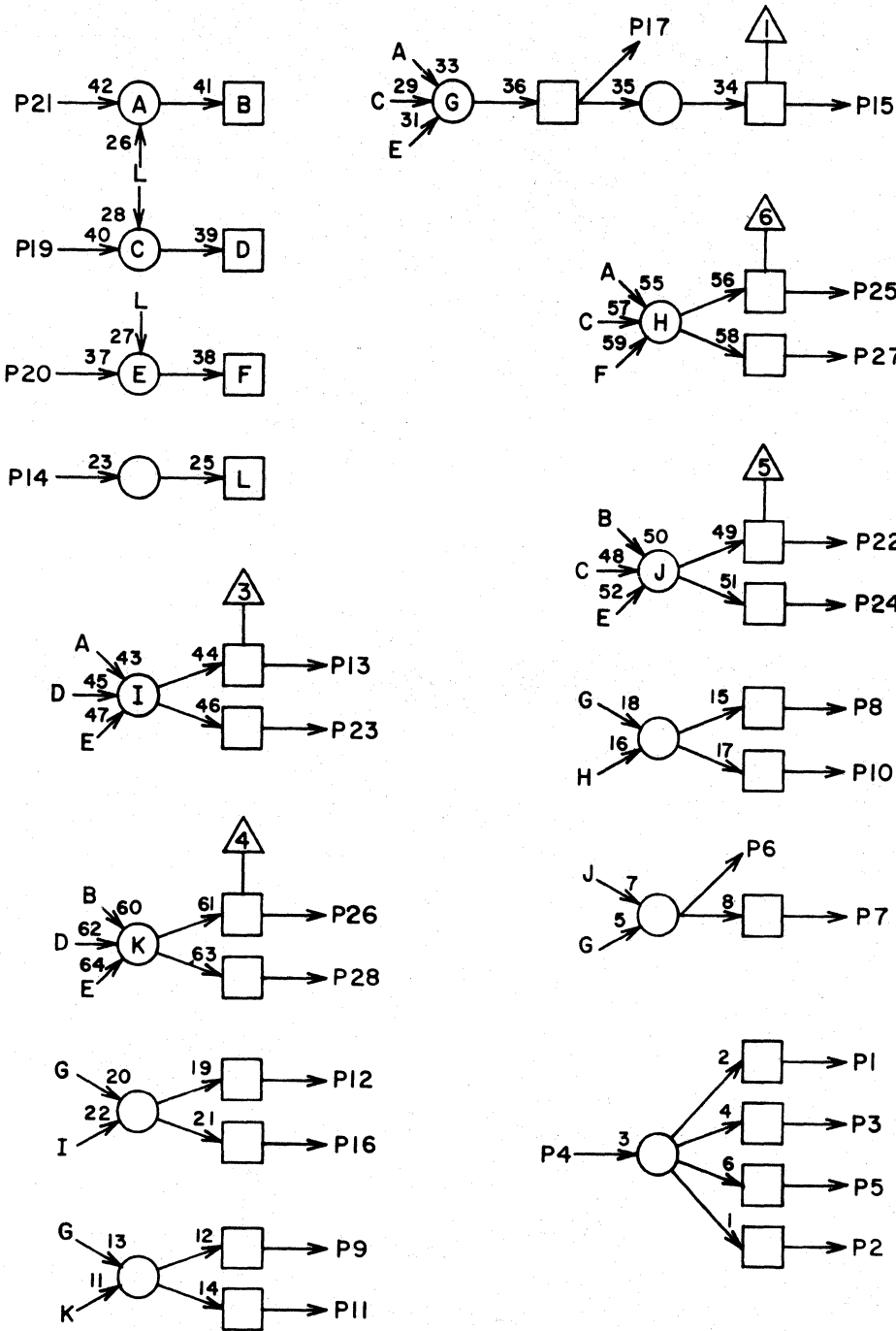
CIRCUIT SPECIFICATION 11827600  
60042700 Rev AB



1			
2			
3			
4			
5			
6			
7			
8			
9			
10			
11			
12			
13			
14			
15			
16			
17			
18			
19			
20			
21			
22			
23			
24			
25			
26			
27			
28			

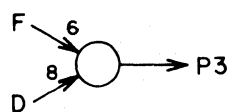
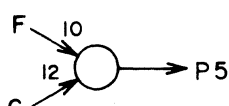
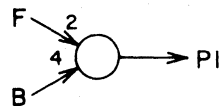
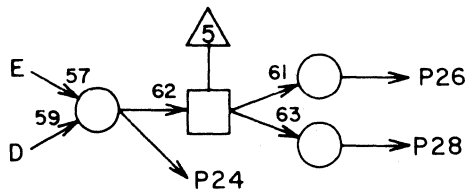
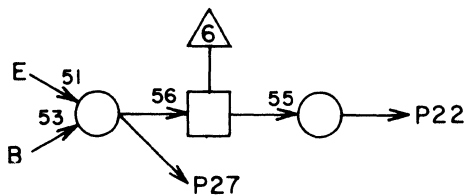
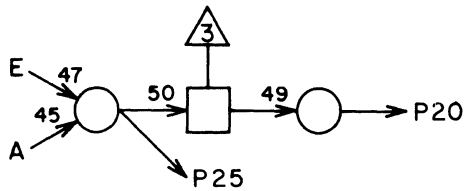
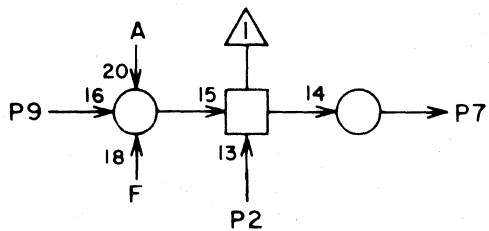
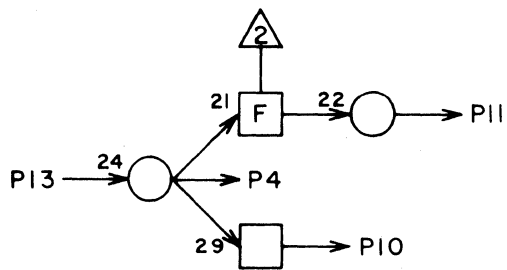
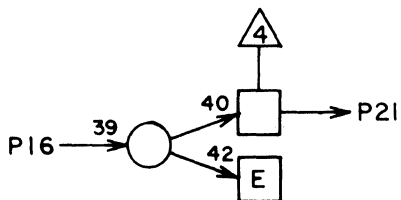
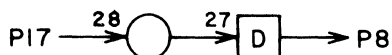
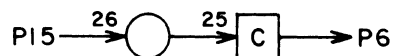
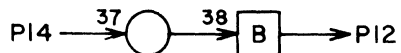
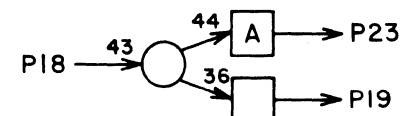


1			
2			
3			
4			
5			
6			
7			
8			
9			
10			
11			
12			
13			
14			
15			
16			
17			
18			
19			
20			
21			
22			
23			
24			
25			
26			
27			
28			

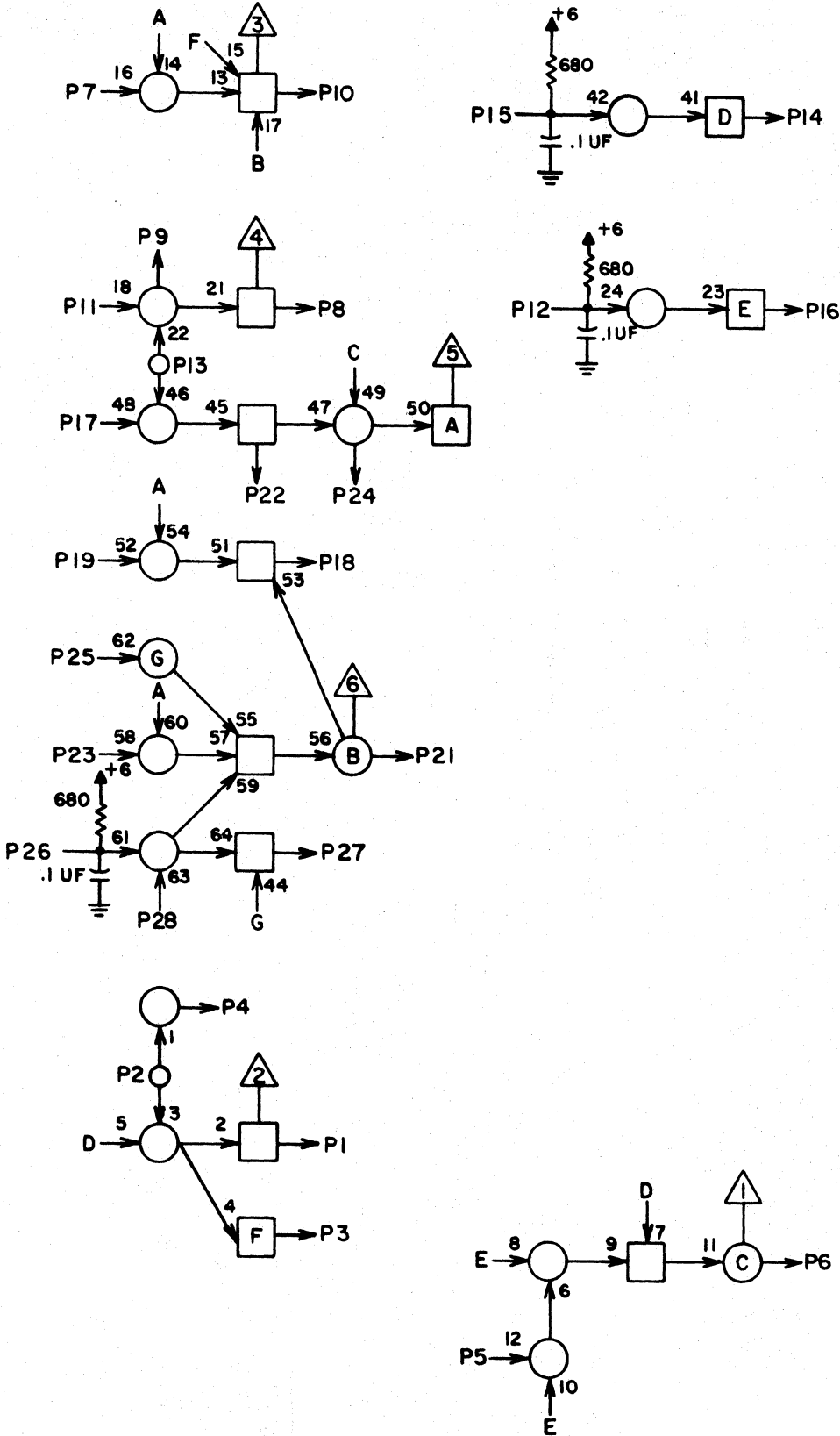


1			
2			
3			
4			
5			
6			
7			
8			
9			
10			
11			
12			
13			
14			
15			
16			
17			
18			
19			
20			
21			
22			
23			
24			
25			
26			
27			
28			

JACK PIN LG



1			
2			
3			
4			
5			
6			
7			
8			
9			
10			
11			
12			
13			
14			
15			
16			
17			
18			
19			
20			
21			
22			
23			
24			
25			
26			
27			
28			



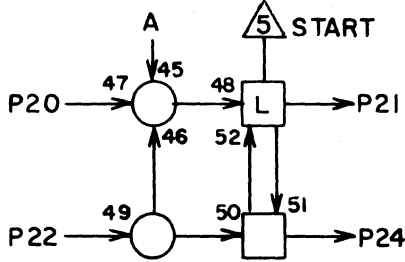
1			
2			
3			
4			
5			
6			
7			
8			
9			
10			
11			
12			
13			
14			
15			
16			
17			
18			
19			
20			
21			
22			
23			
24			
25			
26			
27			
28			

JACK    PIN    LG

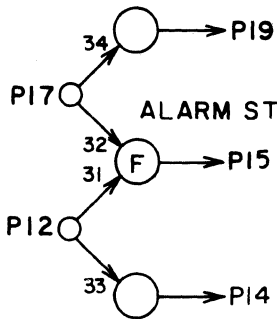


ASSY

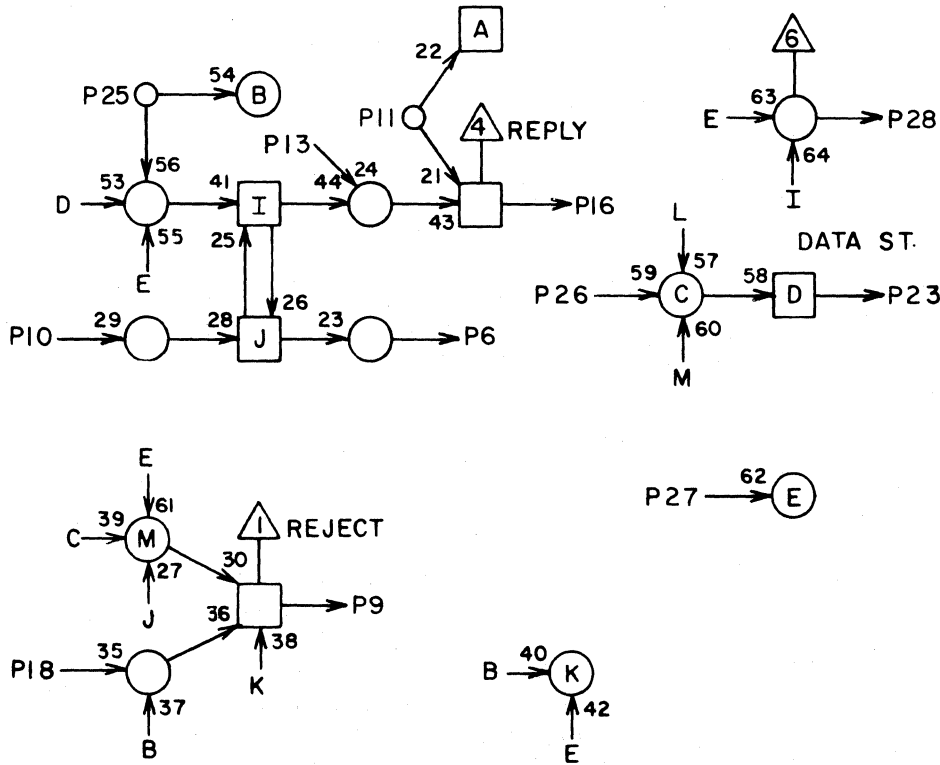
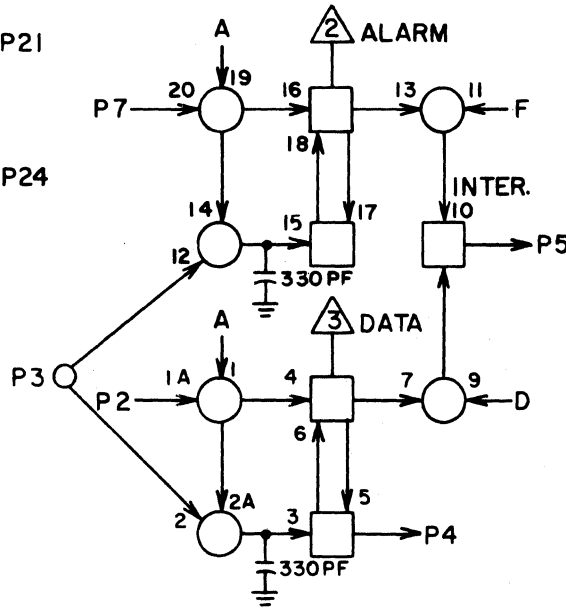
REV



LOST DATA ST.



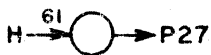
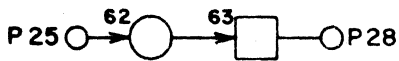
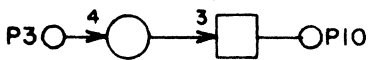
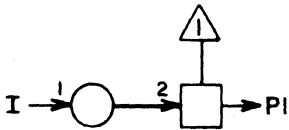
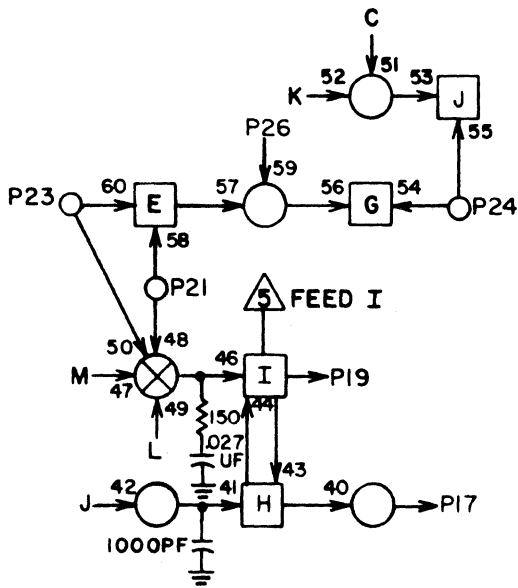
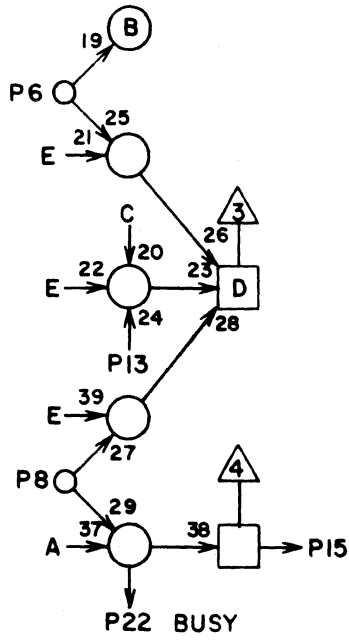
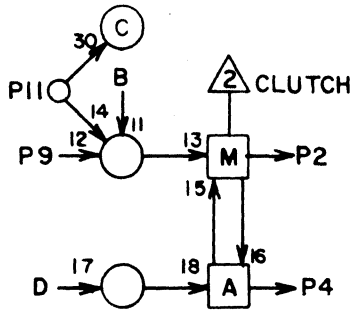
ALARM ST.



1			
2			
3			
4			
5			
6			
7			
8			
9			
10			
11			
12			
13			
14			
15			
16			
17			
18			
19			
20			
21			
22			
23			
24			
25			
26			
27			
28			

JACK PIN LG





⊗ = COLLECTOR RESISTOR IS 8.2K

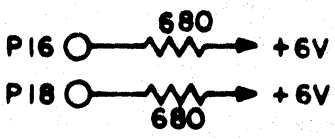
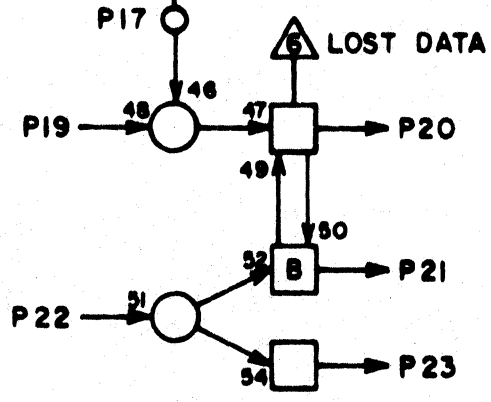
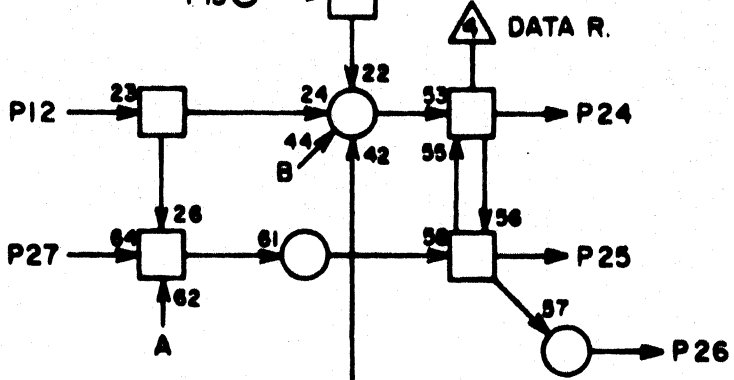
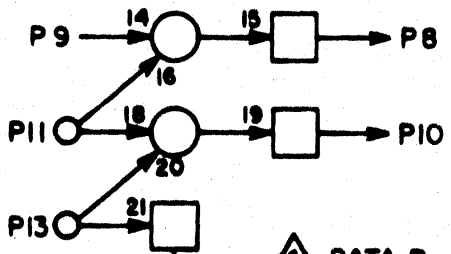
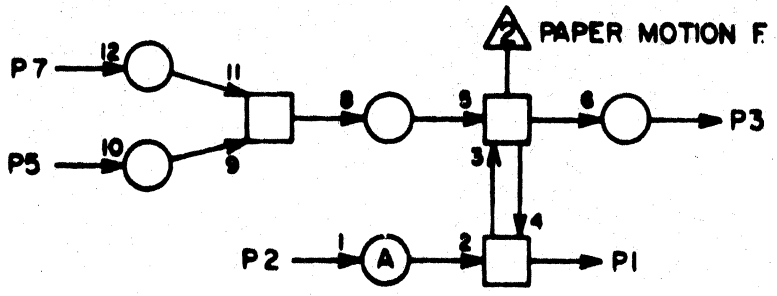
1			
2			
3			
4			
5			
6			
7			
8			
9			
10			
11			
12			
13			
14			
15			
16			
17			
18			
19			
20			
21			
22			
23			
24			
25			
26			
27			
28			

JACK PIN LG

SEE CIRCUIT SPECIFICATION

11827600

60042700 Rev. R

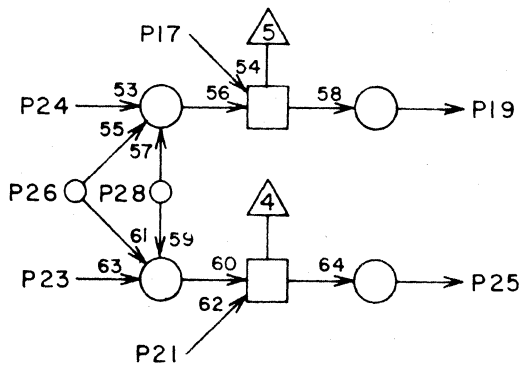
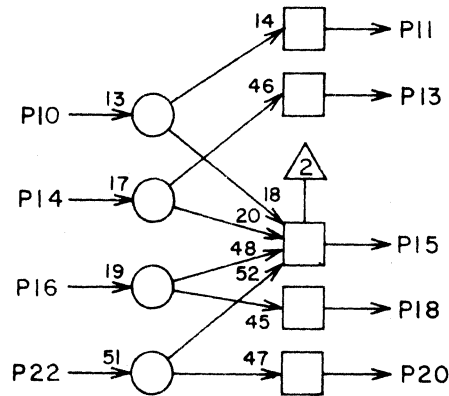
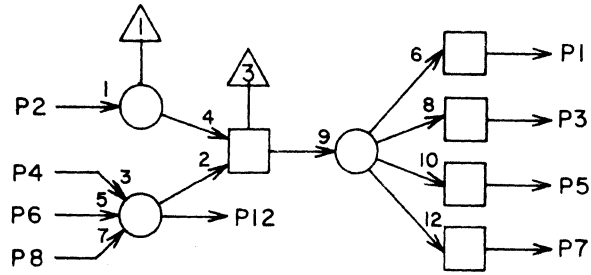


1			
2			
3			
4			
5			
6			
7			
8			
9			
10			
11			
12			
13			
14			
15			
16			
17			
18			
19			
20			
21			
22			
23			
24			
25			
26			
27			
28			
	JACK	PIN	LG

LS 18121300  
ASSY

**B**  
REV

Z10



1			
2			
3			
4			
5			
6			
7			
8			
9			
10			
11			
12			
13			
14			
15			
16			
17			
18			
19			
20			
21			
22			
23			
24			
25			
26			
27			
28			

JACK PIN LG  
60042700 Rev. K  
CIRCUIT SPECIFICATION 11827600

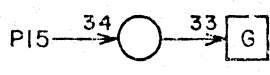
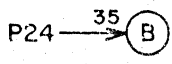
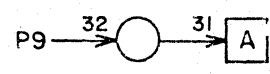
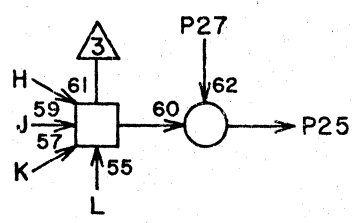
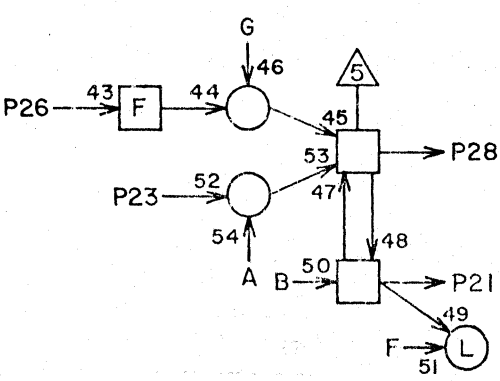
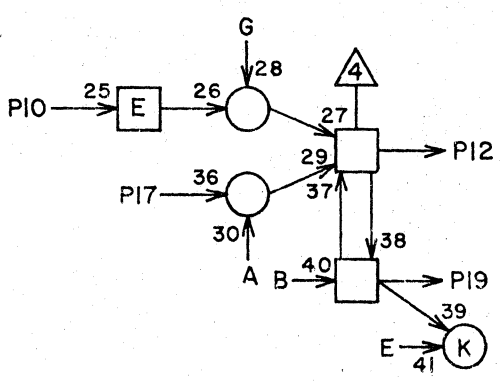
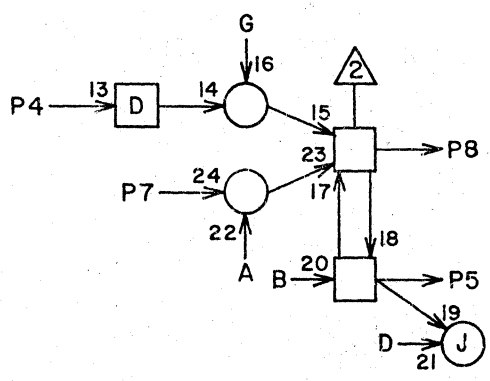
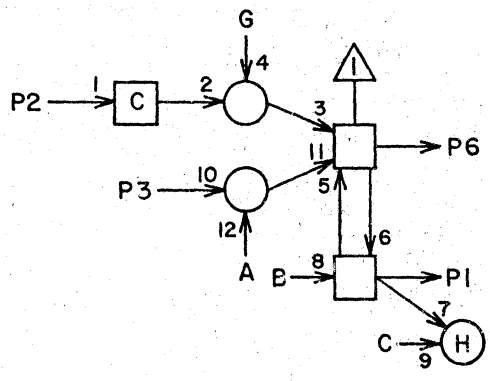
LS 18085100

B

ASSY REV

Z11

[ ]



1			
2			
3			
4			
5			
6			
7			
8			
9			
10			
11			
12			
13			
14			
15			
16			
17			
18			
19			
20			
21			
22			
23			
24			
25			
26			
27			
28			

JACK PIN LG

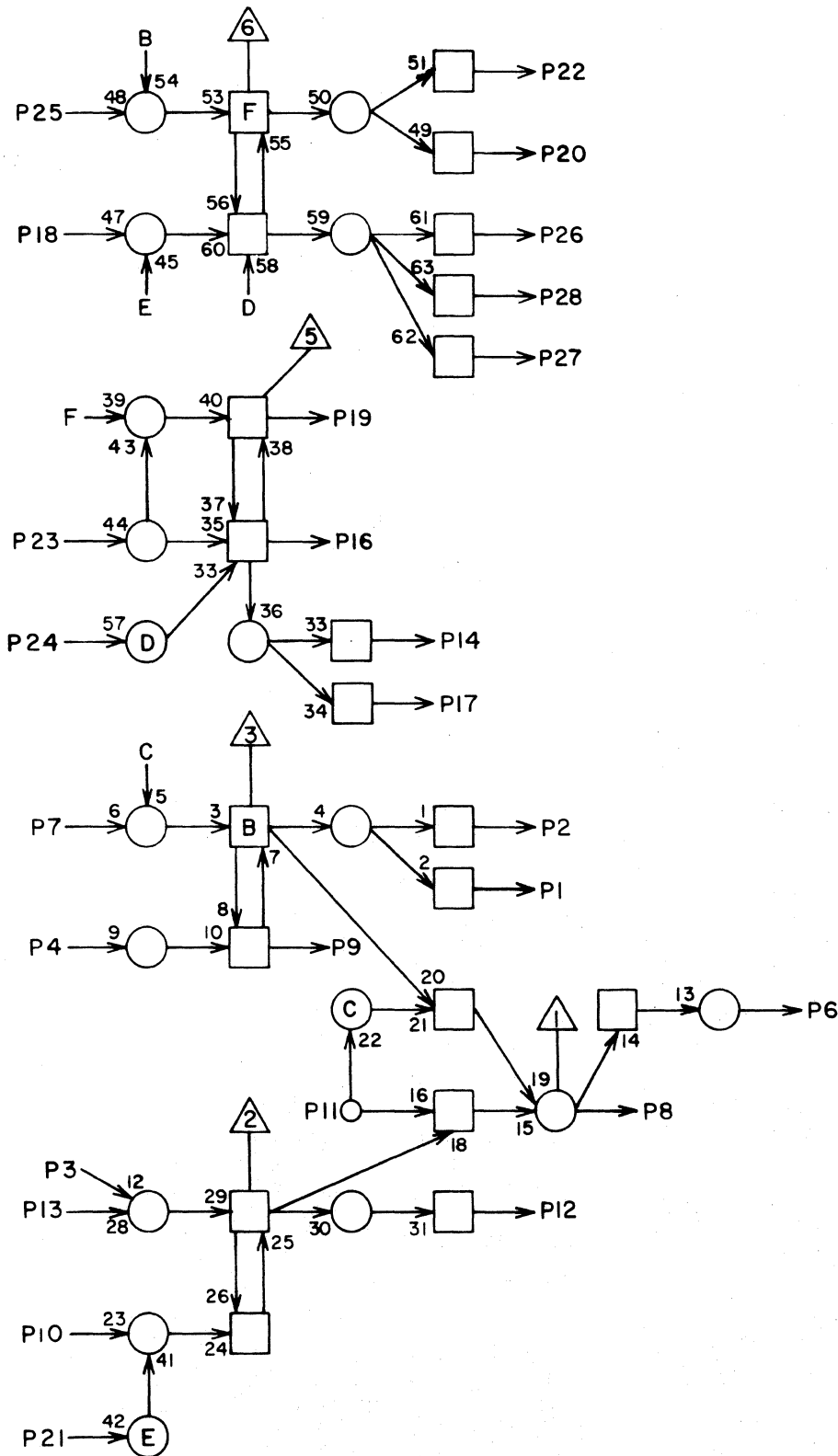
60042700 Rev K

CIRCUIT SPECIFICATION 11827600

LS 18121400  
ASSY

**B**  
REV

Z12



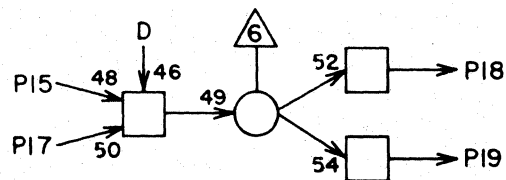
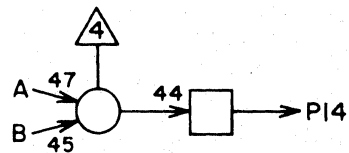
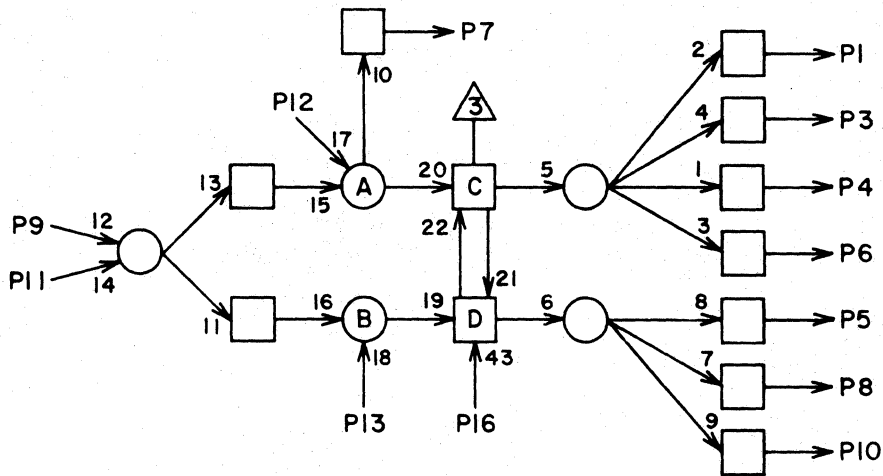
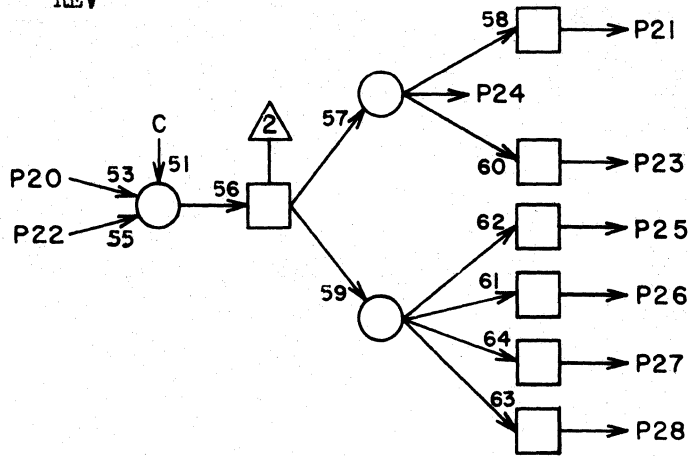
1			
2			
3			
4			
5			
6			
7			
8			
9			
10			
11			
12			
13			
14			
15			
16			
17			
18			
19			
20			
21			
22			
23			
24			
25			
26			
27			
28			

JACK PIN LG

LS 18121500  
 ASSY

**B**  
 REV

Z13



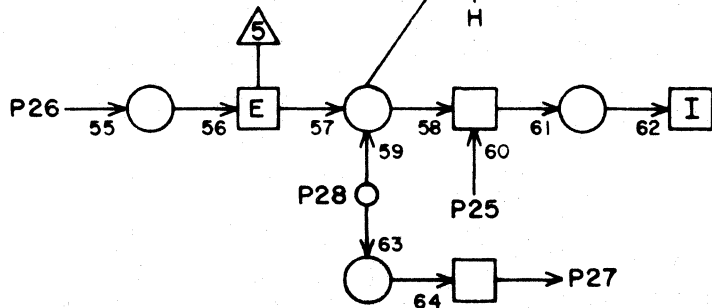
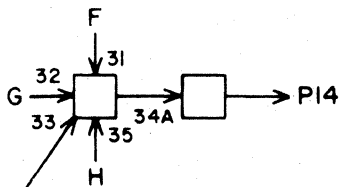
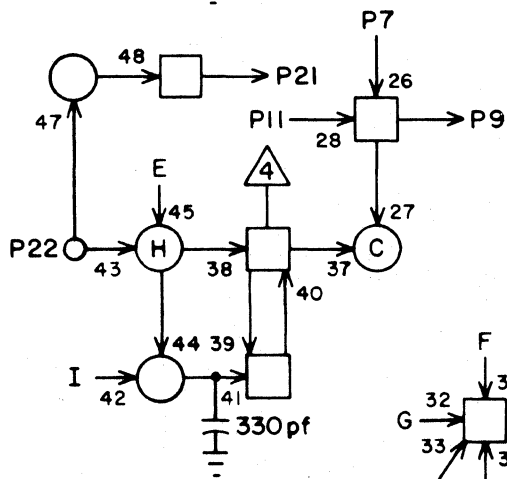
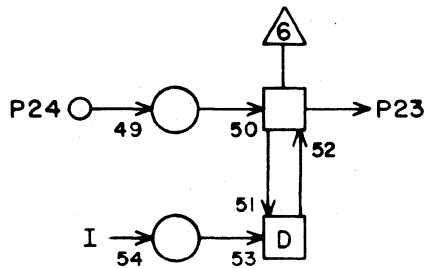
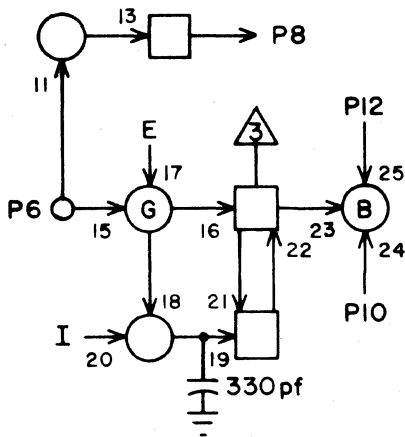
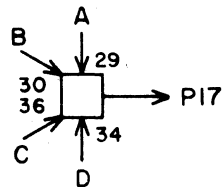
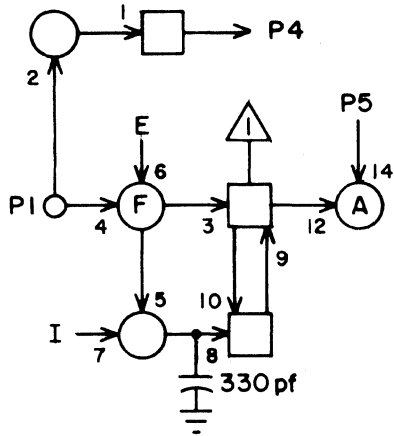
CIRCUIT SPECIFICATION 11827600  
 60042700 Rev AB

1			
2			
3			
4			
5			
6			
7			
8			
9			
10			
11			
12			
13			
14			
15			
16			
17			
18			
19			
20			
21			
22			
23			
24			
25			
26			
27			
28			

JACK PIN LG



LS 18445700 B  
 ASSY REV



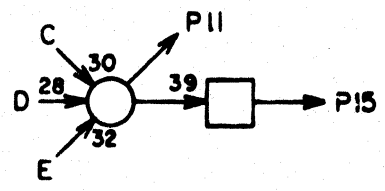
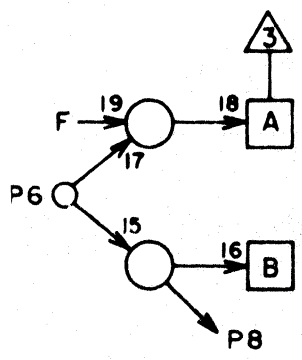
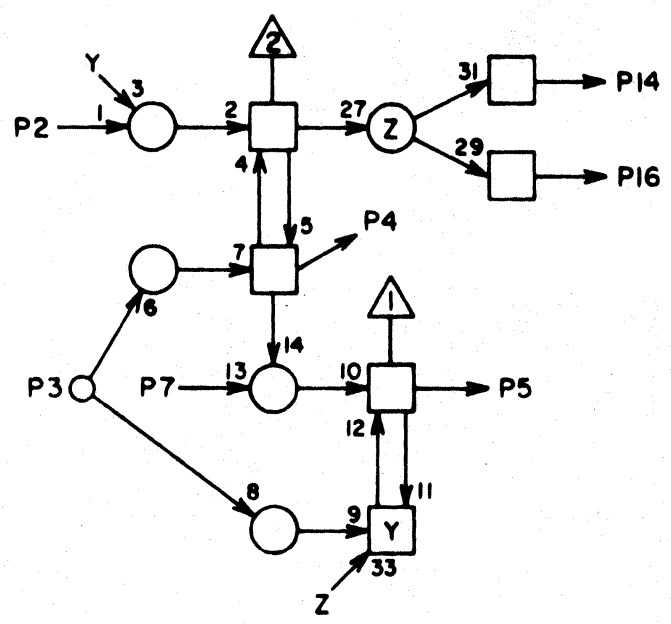
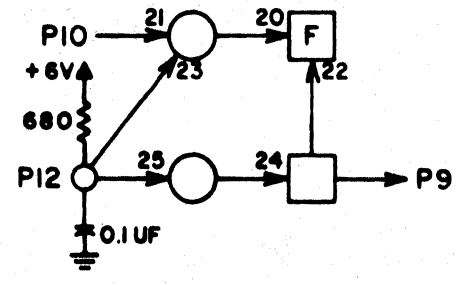
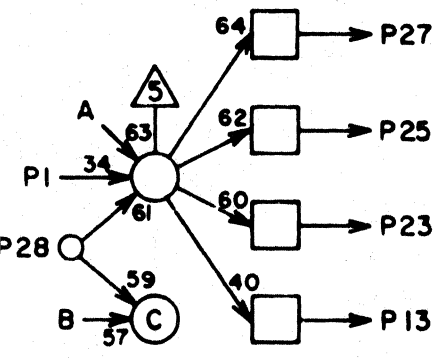
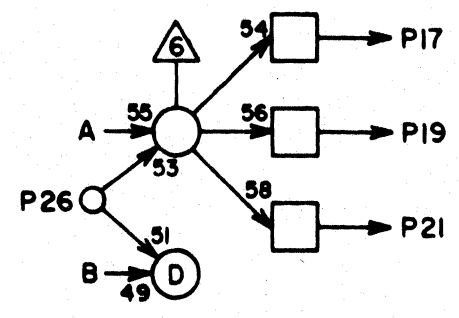
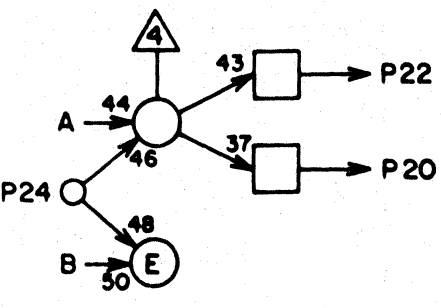
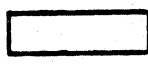
Z 14

1			
2			
3			
4			
5			
6			
7			
8			
9			
10			
11			
12			
13			
14			
15			
16			
17			
18			
19			
20			
21			
22			
23			
24			
25			
26			
27			
28			

JACK PIN LG  
 CIRCUIT SPECIFICATION

11827600

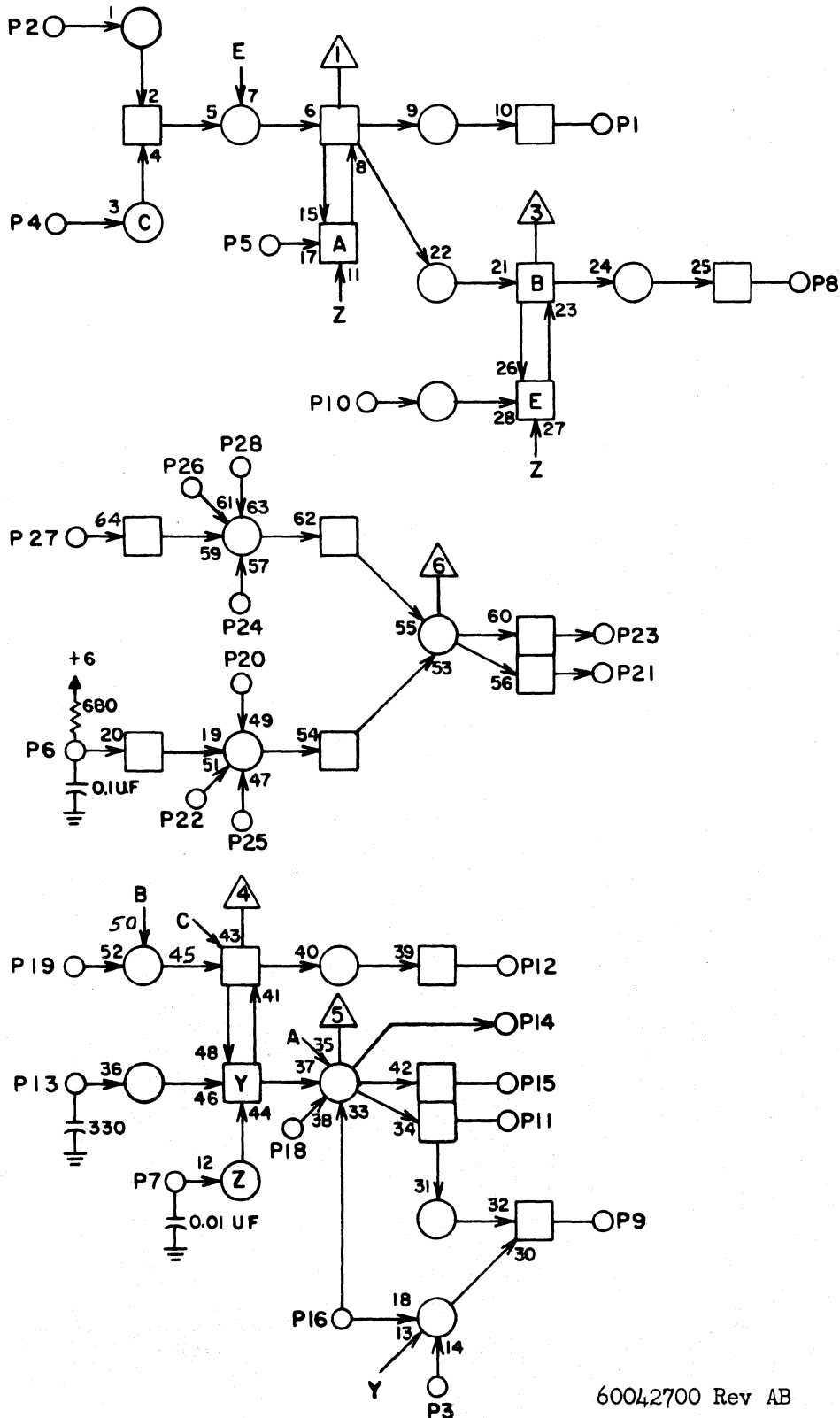
60042700 Rev. S



1			
2			
3			
4			
5			
6			
7			
8			
9			
10			
11			
12			
13			
14			
15			
16			
17			
18			
19			
20			
21			
22			
23			
24			
25			
26			
27			
28			

JACK PIN LG

SEE CIRCUIT SPECIFICATION 11827600  
 60042700 Rev. P



60042700 Rev AB

SEE CIRCUIT SPECIFICATION 11827600

1			
2			
3			
4			
5			
6			
7			
8			
9			
10			
11			
12			
13			
14			
15			
16			
17			
18			
19			
20			
21			
22			
23			
24			
25			
26			
27			
28			

JACK PIN LG

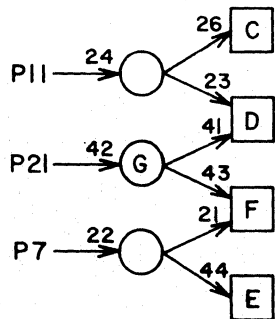
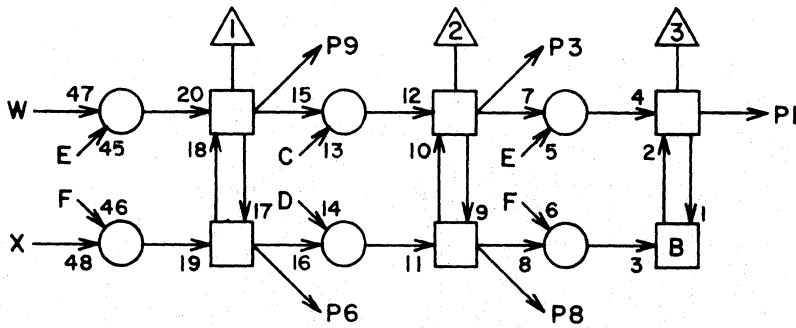
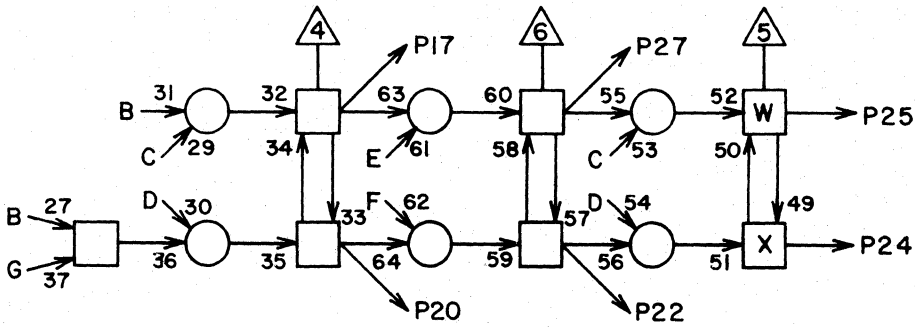
LS 18121900

C

Z17

ASSY

REV

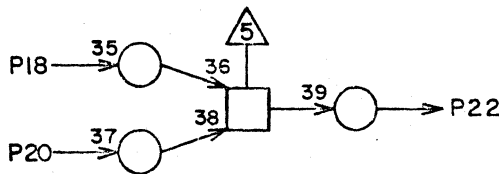
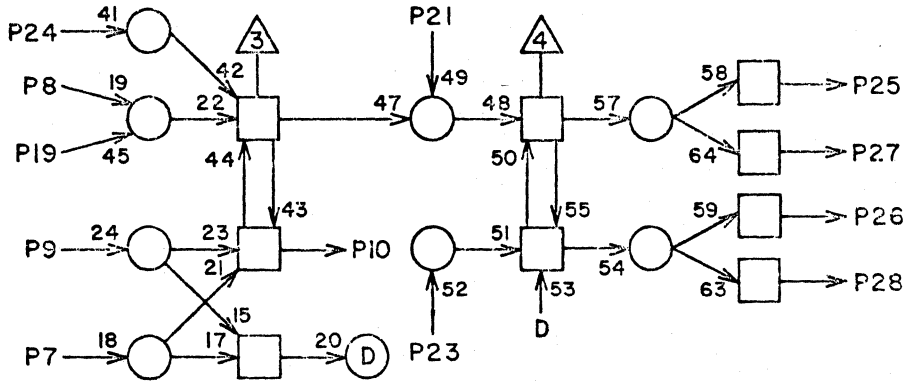
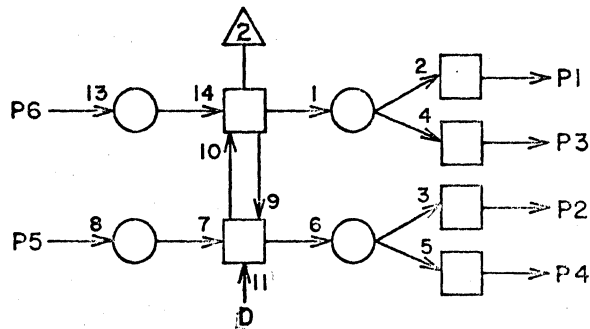
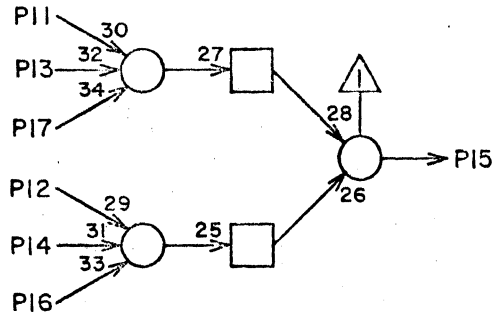


CIRCUIT SPECIFICATION 11827600

60042700 Rev AB

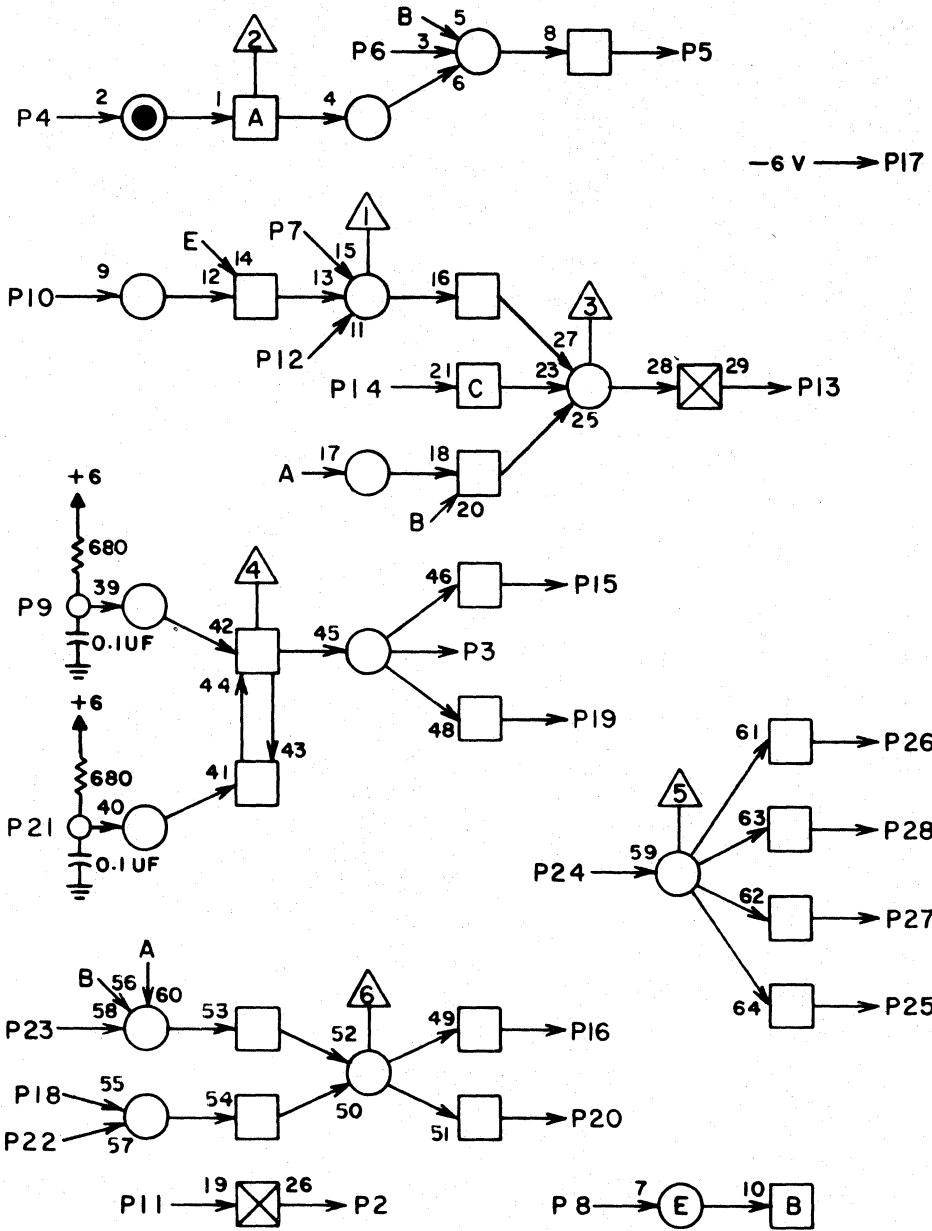
1			
2			
3			
4			
5			
6			
7			
8			
9			
10			
11			
12			
13			
14			
15			
16			
17			
18			
19			
20			
21			
22			
23			
24			
25			
26			
27			
28			

JACK PIN LG

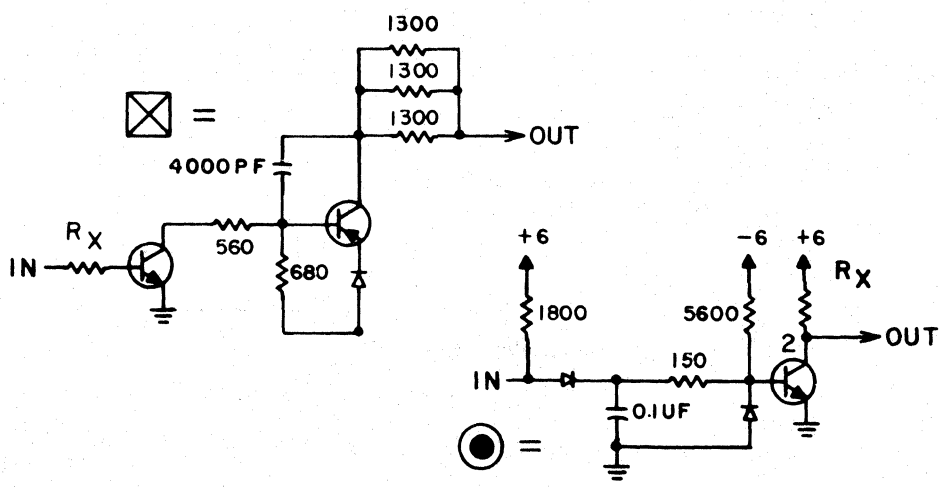


1			
2			
3			
4			
5			
6			
7			
8			
9			
10			
11			
12			
13			
14			
15			
16			
17			
18			
19			
20			
21			
22			
23			
24			
25			
26			
27			
28			

JACK PIN LG



1			
2			
3			
4			
5			
6			
7			
8			
9			
10			
11			
12			
13			
14			
15			
16			
17			
18			
19			
20			
21			
22			
23			
24			
25			
26			
27			
28			



JACK PIN LG  
60042700 Rev AB  
SEE CIRCUIT SPECIFICATION  
11827600

LS18122200 ASSY REV G

Z20-1 THRU Z20-6

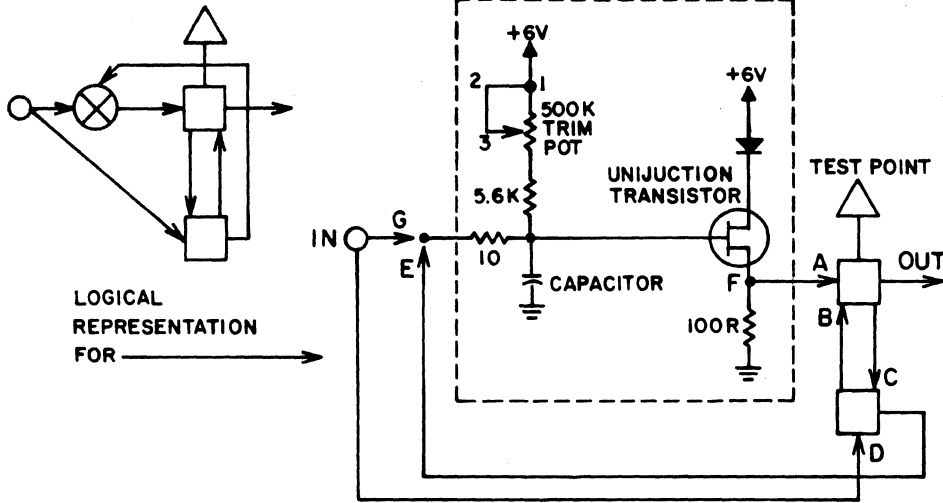


TABLE 1

PIN NO.		CAPACITOR	TRANSISTOR DESIGNATION							TRIM POT LOCATION	TEST POINT
IN	OUT	DESIGNATION	A	B	C	D	E	F	G		
2	4	C5	13	15	16	18	3	6	1	TOP ODD	1
3	1	C6	14	20	19	17	4	5	2	TOP EVEN	2
		C7									
26	28	C4	51	45	46	48	61	60	63	BOTTOM ODD	5
27	25	C3	52	50	49	47	62	59	64	BOTTOM EVEN	6

1		
2		
3		
4		
5		
6		
7		
8		
9		
10		
11		
12		
13		
14		
15		
16		
17		
18		
19		
20		
21		
22		
23		
24		
25		
26		
27		
28		

SEE TABLE 2

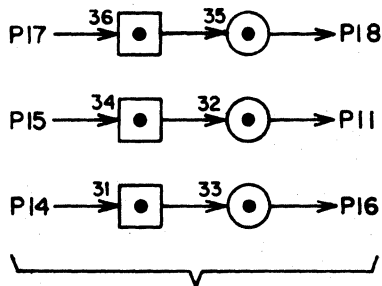
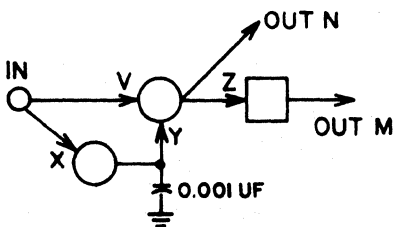
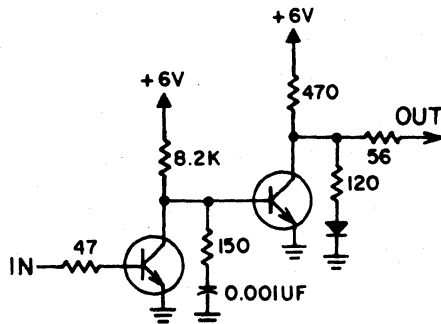


TABLE 2

PIN NO.	TRANSISTOR DESIGNATION							
	IN	OUT	M	N	V	X	Y	Z
6	5	10	23	22	21	24		
8	9	12	29	28	27	30		
24	20	23	44	41	42	43		
21	22	19	40	37	38	39		



JACK PIN LG

SEE CIRCUIT SPECIFICATION 52000034 60042700 Rev. J

VARIABLE DELAY OF Z20-X MODULES

PIN NUMBER IN OUT		CAP. DESIG	Z20-1			Z20-2		
			CAP. uf	DELAY msec		CAP. uf	DELAY msec	
				Min	Max		Min	Max
2	4	C5	.047	0.6	16.0	.1	1.5	30.0
3	1	C6, C7	.047	0.6	16.0	.1	1.5	30.0
26	28	C4	.047	0.6	16.0	4.7	50.0	1600
27	25	C3	.047	0.6	16.0	.0047	0.06	1.6

PIN NUMBER IN OUT		CAP. DESIG	Z20-3			Z20-4		
			CAP. uf	DELAY msec		CAP. uf	DELAY msec	
				Min	Max		Min	Max
2	4	C5	.1	1.5	30.0	.047	0.6	16.0
3	1	C6, C7	.0047	0.06	1.6	4.7/4.7	1000	3200
26	28	C4	.0047	0.06	1.6	1.0	13.0	300
7	25	C3	.01	0.13	3.0	.047	0.6	16.0

PIN NUMBER IN OUT		CAP. DESIG	Z20-5			Z20-6		
			CAP. uf	DELAY msec		CAP. uf	DELAY msec	
				Min	Max		Min	Max
2	4	C5	1.0	13.0	300.0	1.0	13.0	300.0
3	1	C6, C7	4.7/4.7	100	3200	1.0	13.0	300.0
26	28	C4	1.0	13.0	300	1.0	13.0	300.0
27	25	C3	.047	0.6	16.0	.047	0.6	16.0



Variable Delay of Z20-X Modules (Cont'd)

PIN NUMBER IN OUT		CAP DESIG	Z20-7			Z20-8		
			CAP uf	DELAY msec		CAP uf	DELAY msec	
				Min	Max		Min	Max
2	4	C5	.01	.13	3.0	1.0	13.0	300.0
3	1	C6,C7	.01	.13	3.0	1.0	13.0	300.0
26	28	C4	.01	.13	3.0	1.0	13.0	300.0
27	25	C3	.01	.13	3.0	.01	0.13	3.0

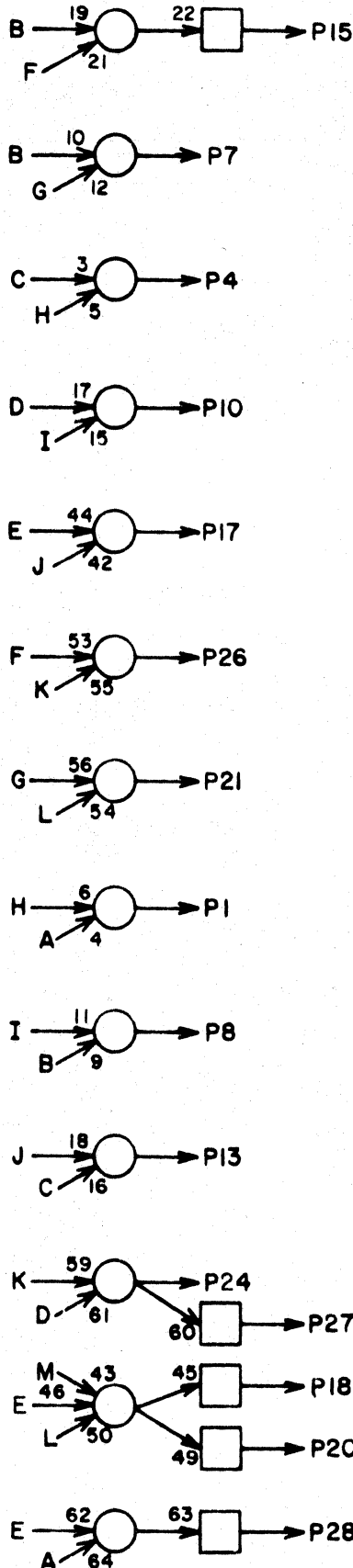
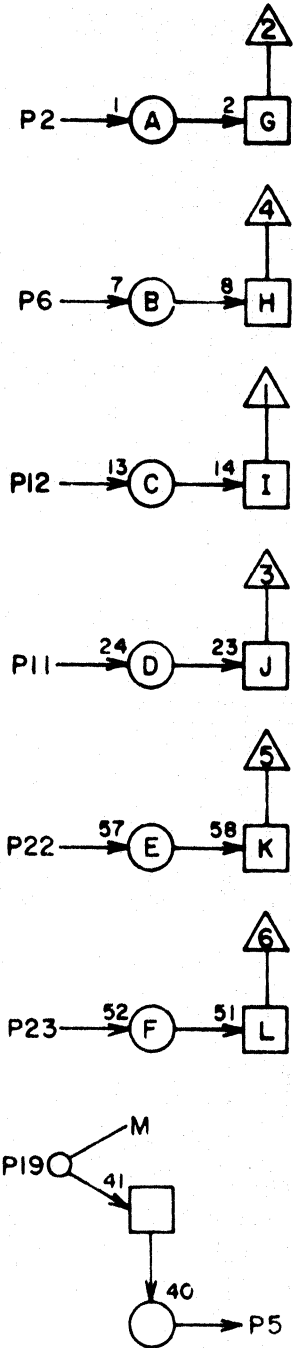
PIN NUMBER IN OUT		CAP DESIG	Z20-9					
			CAP uf	DELAY msec				
				Min	Max			
2	4	C5	.0047	0.06	1.6			
3	1	C6,C7	4.7/4.7	1000	3200			
26	28	C4	1.0	13.0	300			
27	25	C3	.047	0.6	16.0			

Special Delay of Z20-X Modules

Pin Number In	Pin Number Out	Capacitor uf	Delay 1 usec +15%
14	16	.001	Log. one
15	11	.001	Log. one
17	18	.001	Log. one

One Shot Delay of Z20-X Modules

Pin Number In	Pin Number Out	Capacitor uf	Delay 100 nsec -10% +100%
	M N		M N
6	5 10	.001	Log. one Log. zero
8	9 12	.001	Log. one Log. zero
21	22 19	.001	Log. one Log. Zero
24	20 23	.001	Log. one Log. Zero



1			
2			
3			
4			
5			
6			
7			
8			
9			
10			
11			
12			
13			
14			
15			
16			
17			
18			
19			
20			
21			
22			
23			
24			
25			
26			
27			
28			

JACK PIN LG

**CIRCUIT SPECIFICATION**  
**11827600**

60042700 Rev. P

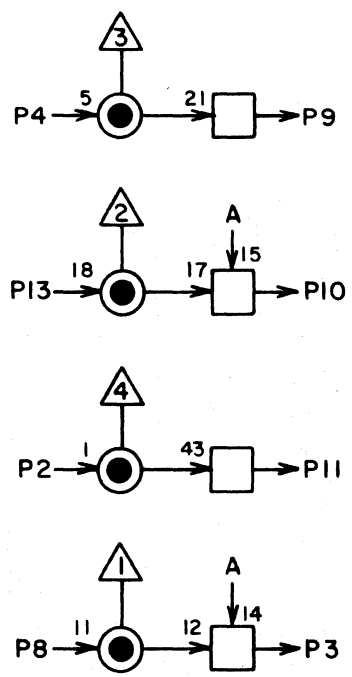
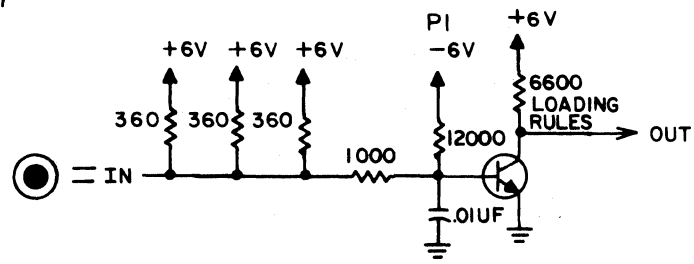
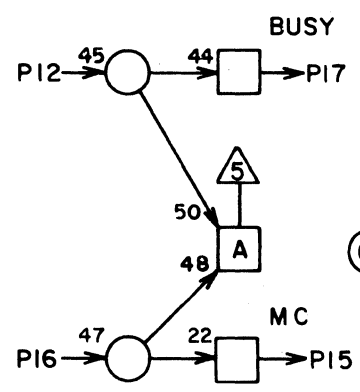
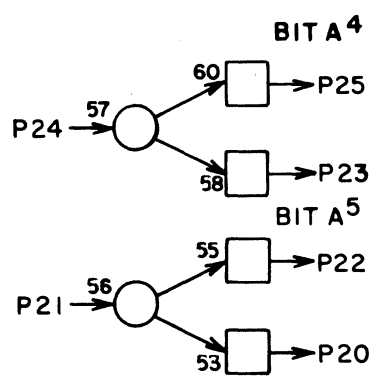
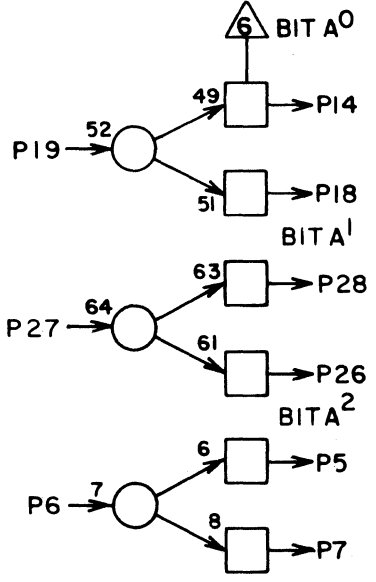
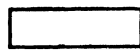




LS 18122600  
ASSY

**B**  
REV

Z24



1			
2			
3			
4			
5			
6			
7			
8			
9			
10			
11			
12			
13			
14			
15			
16			
17			
18			
19			
20			
21			
22			
23			
24			
25			
26			
27			
28			

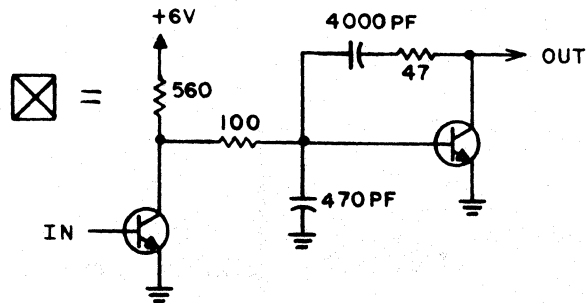
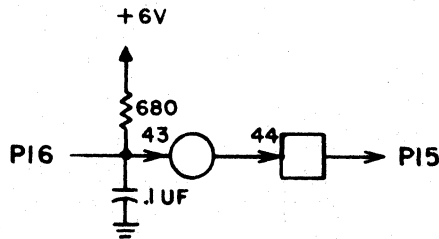
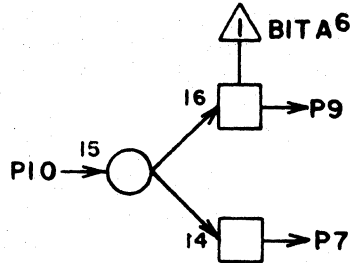
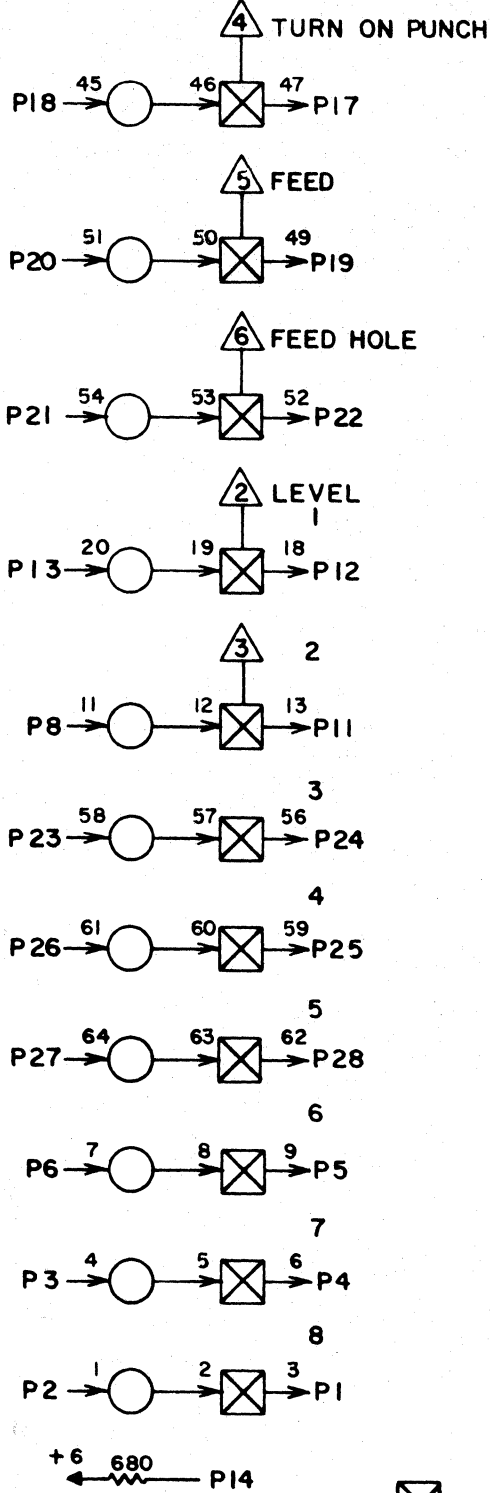
JACK PIN LG

LS 18122700  
ASSY

REV

Z25

[ ]



1			
2			
3			
4			
5			
6			
7			
8			
9			
10			
11			
12			
13			
14			
15			
16			
17			
18			
19			
20			
21			
22			
23			
24			
25			
26			
27			
28			

JACK PIN LG

SEE CIRCUIT SPECIFICATION

11827600

60042700 Rev AB

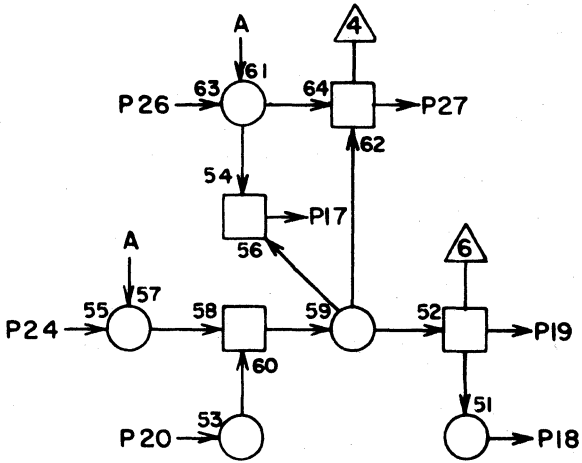
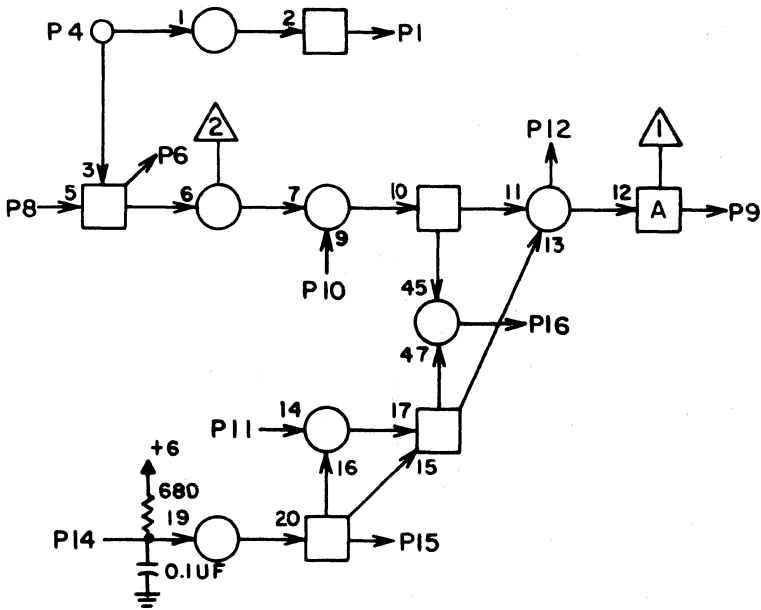
LS 18122800

B

ASSY

REV

Z26



SEE CIRCUIT SPECIFICATION 11827600

60042700 Rev AB

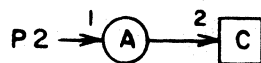
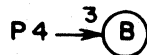
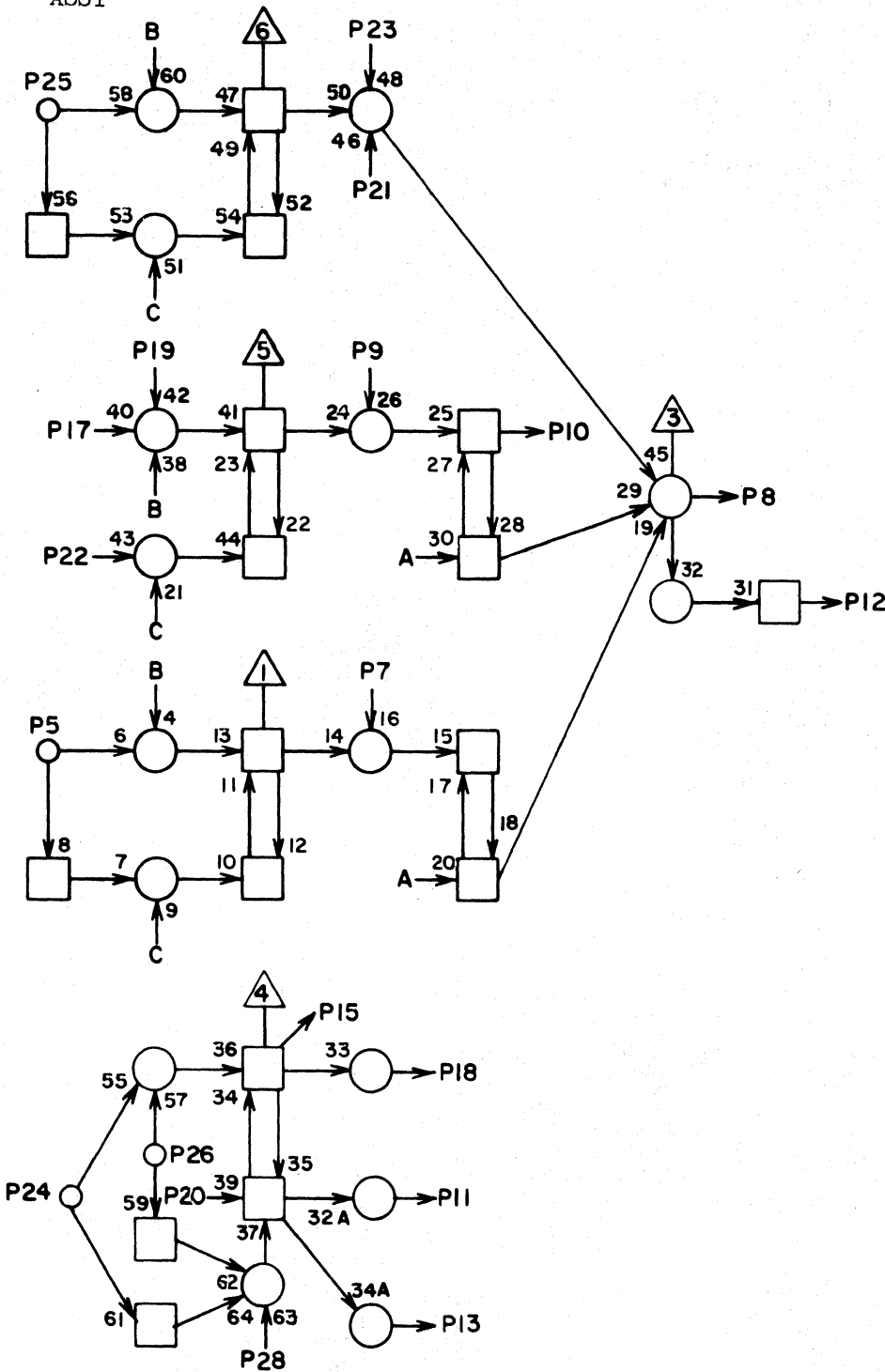
1			
2			
3			
4			
5			
6			
7			
8			
9			
10			
11			
12			
13			
14			
15			
16			
17			
18			
19			
20			
21			
22			
23			
24			
25			
26			
27			
28			

JACK PIN LG

LS 18122900  
ASSY

C  
REV

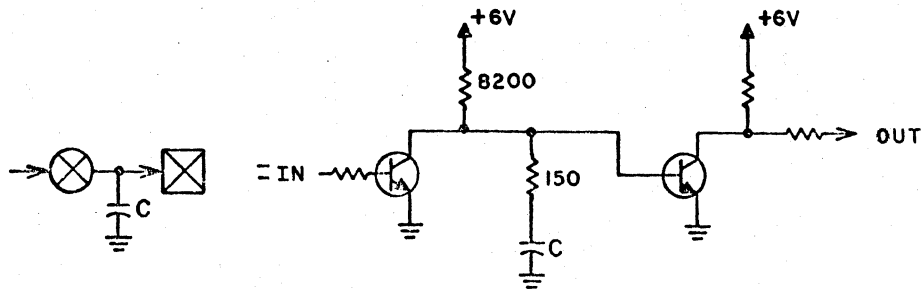
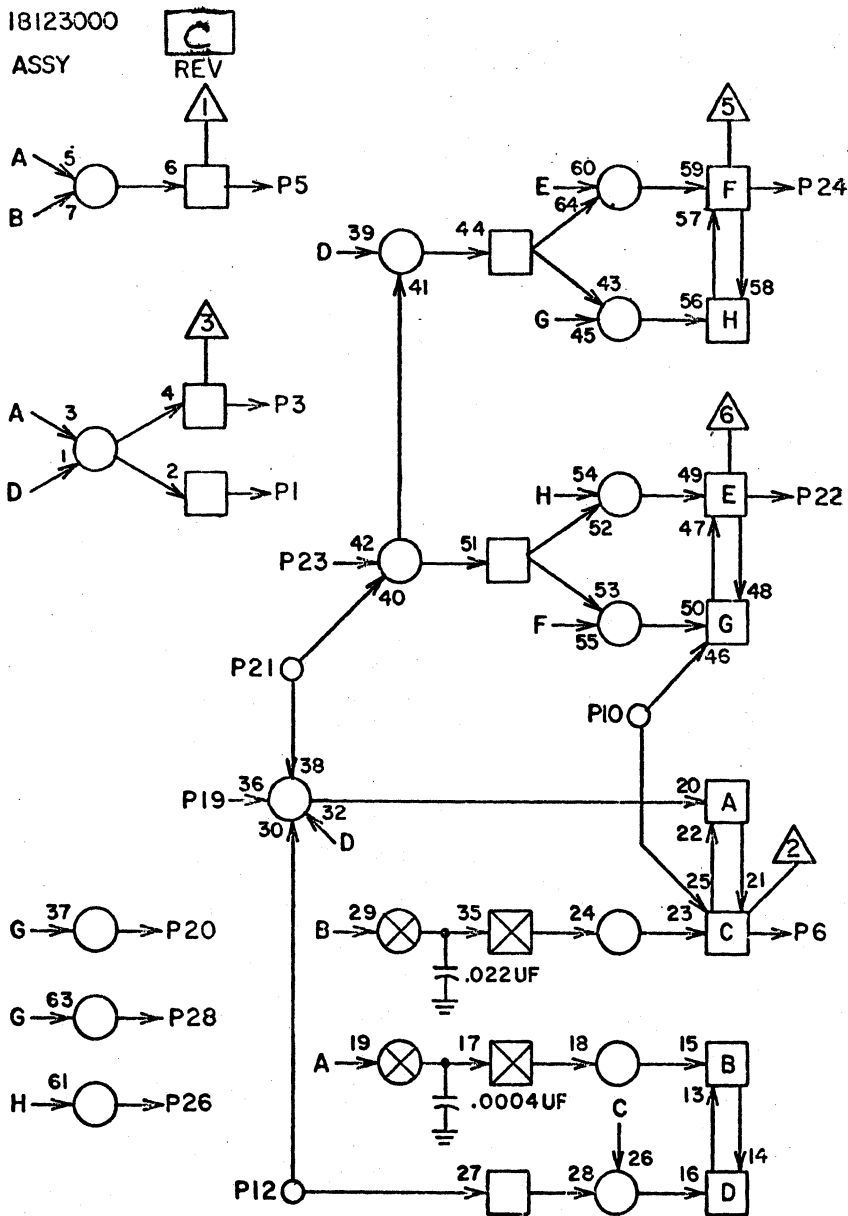
Z27



1			
2			
3			
4			
5			
6			
7			
8			
9			
10			
11			
12			
13			
14			
15			
16			
17			
18			
19			
20			
21			
22			
23			
24			
25			
26			
27			
28			

JACK PIN LG



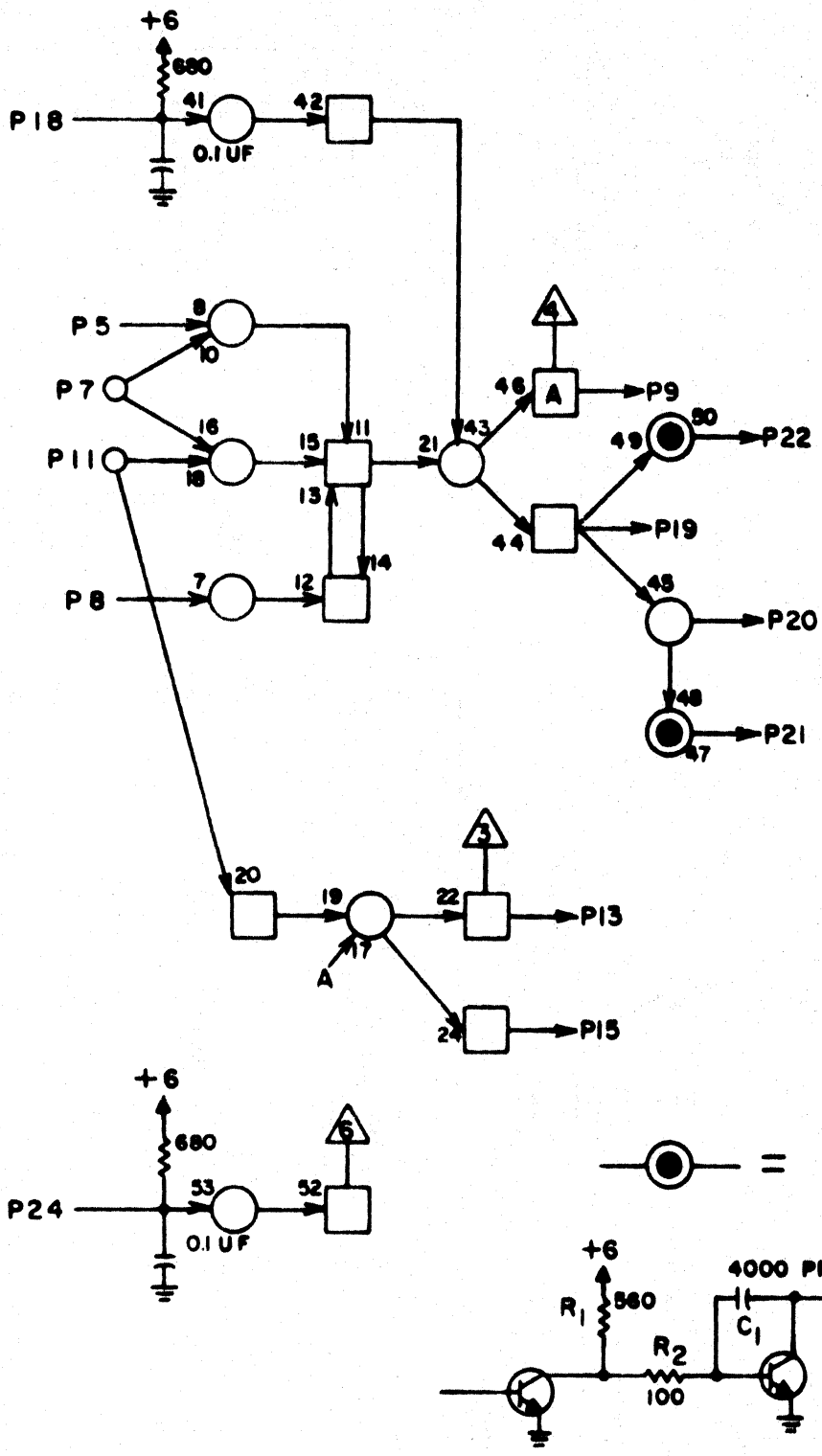


1			
2			
3			
4			
5			
6			
7			
8			
9			
10			
11			
12			
13			
14			
15			
16			
17			
18			
19			
20			
21			
22			
23			
24			
25			
26			
27			
28			

JACK PIN LG

SEE CIRCUIT SPECIFICATION

11827600

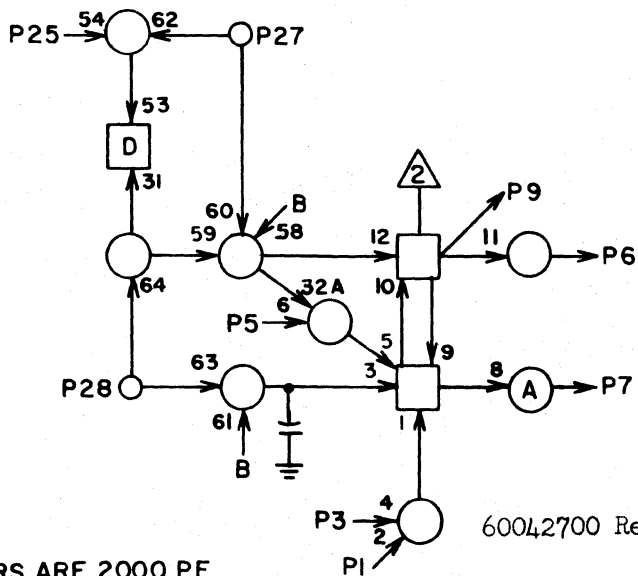
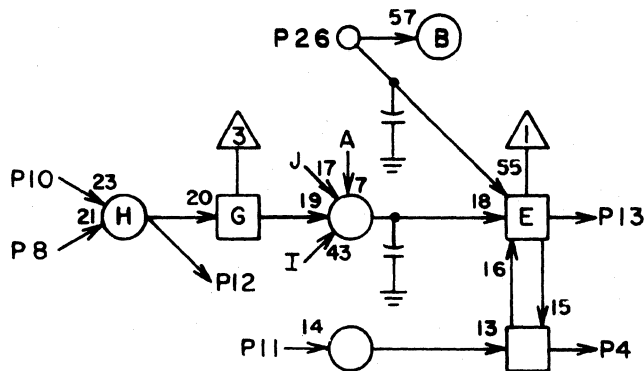
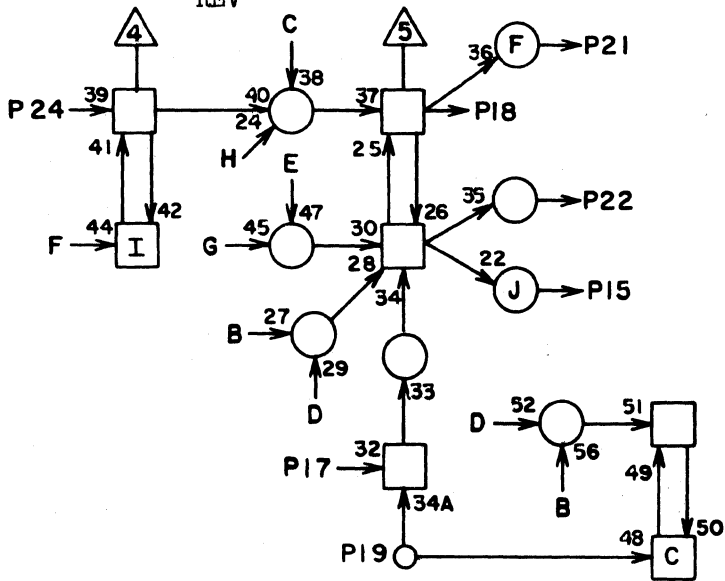


1			
2			
3			
4			
5			
6			
7			
8			
9			
10			
11			
12			
13			
14			
15			
16			
17			
18			
19			
20			
21			
22			
23			
24			
25			
26			
27			
28			

JACK PIN LG

SEE CIRCUIT SPECIFICATION  
11827600

60042700 Rev. P



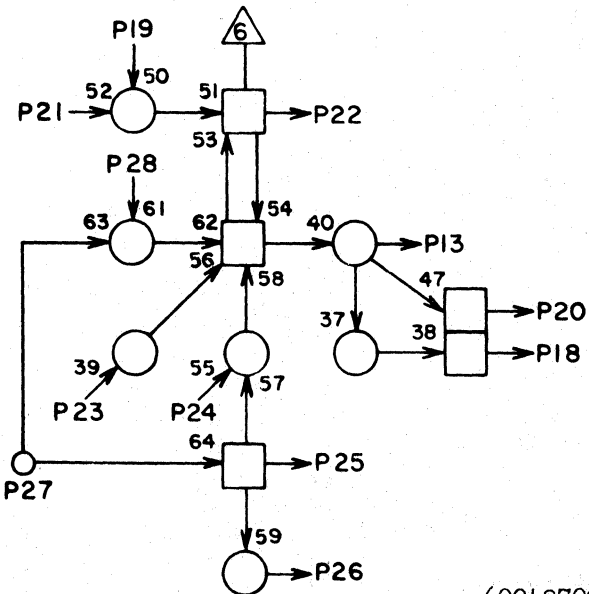
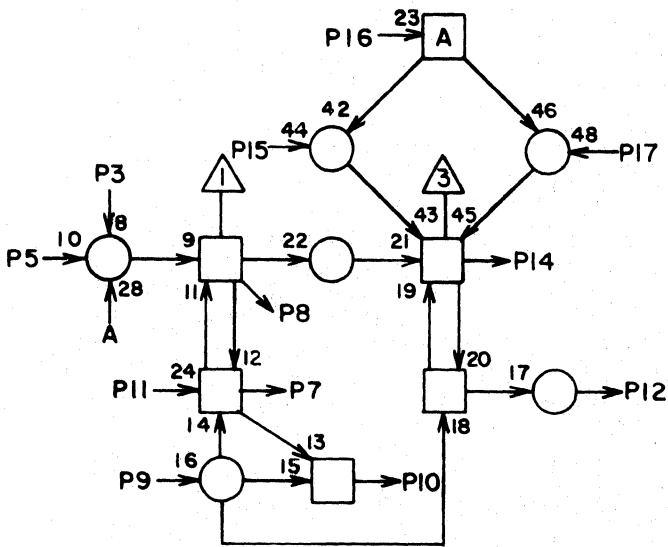
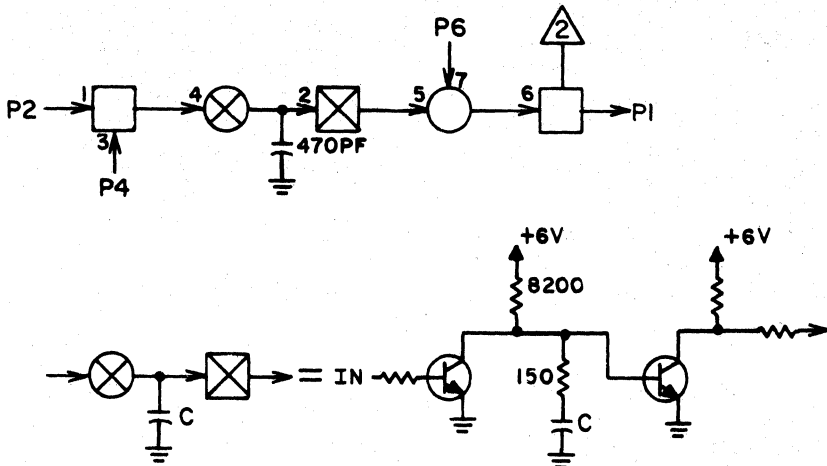
NOTE:  
 ALL CAPACITORS ARE 2000 PF

60042700 Rev AB

CIRCUIT SPECIFICATION 11827600

1			
2			
3			
4			
5			
6			
7			
8			
9			
10			
11			
12			
13			
14			
15			
16			
17			
18			
19			
20			
21			
22			
23			
24			
25			
26			
27			
28			

JACK PIN LG

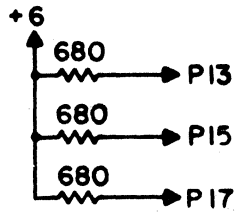
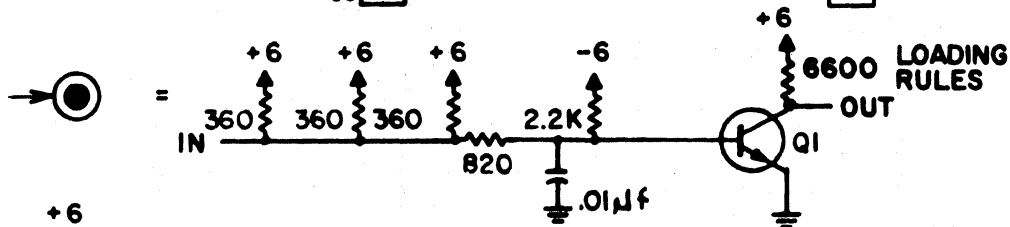
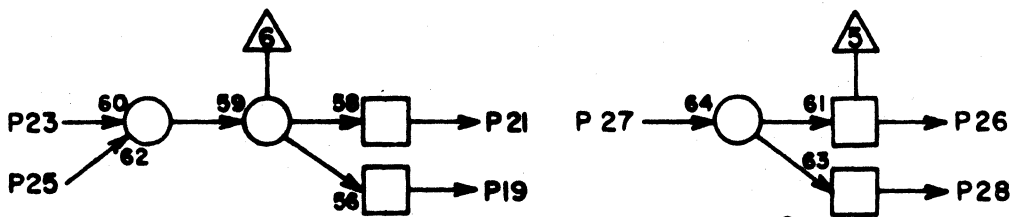
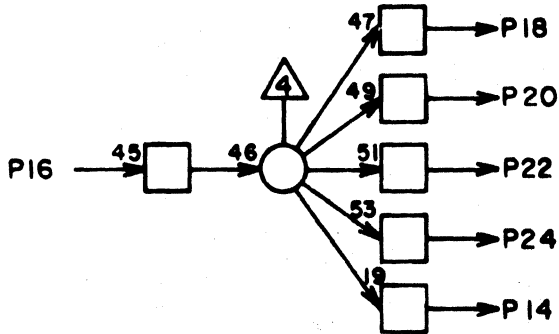
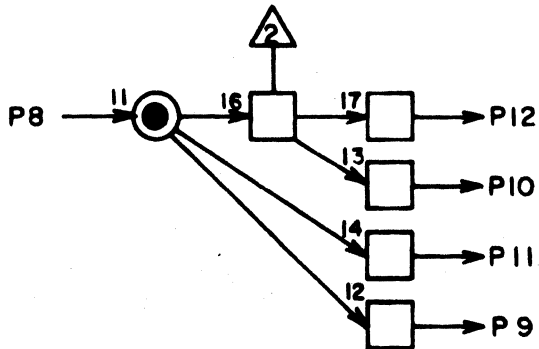
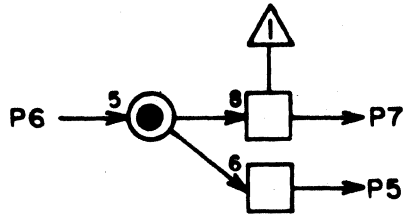
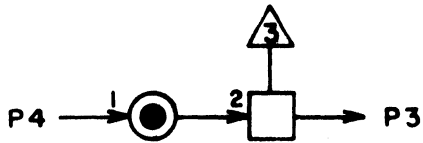


60042700 Rev AB

SEE CIRCUIT SPECIFICATION 11827600

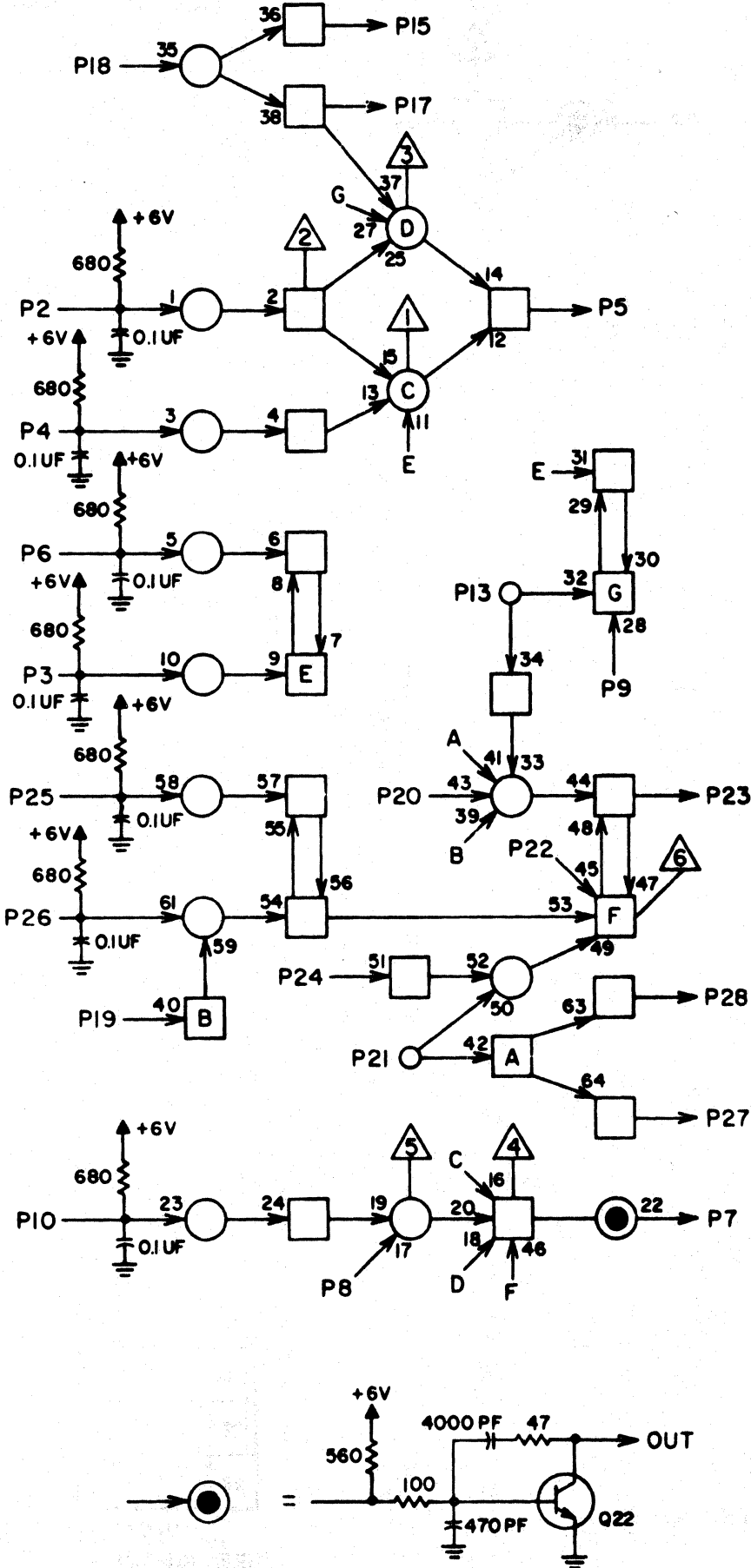
1			
2			
3			
4			
5			
6			
7			
8			
9			
10			
11			
12			
13			
14			
15			
16			
17			
18			
19			
20			
21			
22			
23			
24			
25			
26			
27			
28			

JACK PIN LG



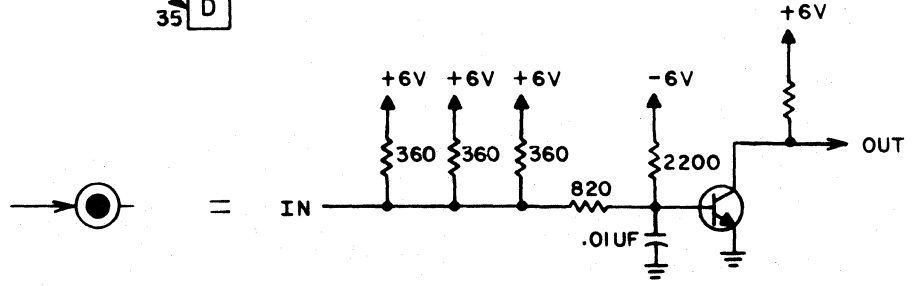
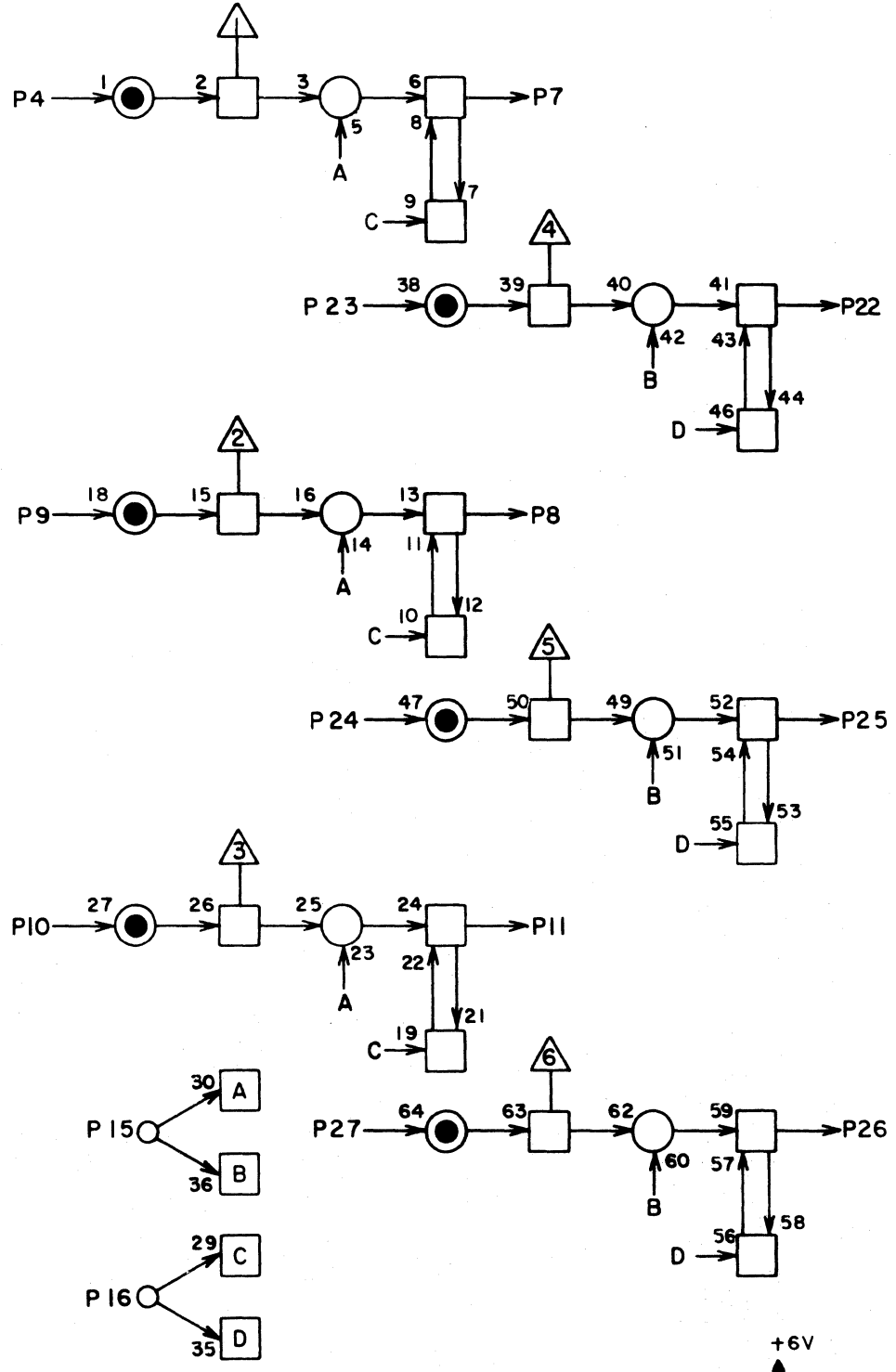
1			
2			
3			
4			
5			
6			
7			
8			
9			
10			
11			
12			
13			
14			
15			
16			
17			
18			
19			
20			
21			
22			
23			
24			
25			
26			
27			
28			

JACK PIN LG  
SEE CIRCUIT  
SPECIFICATION 11827600  
60042700 Rev P



1			
2			
3			
4			
5			
6			
7			
8			
9			
10			
11			
12			
13			
14			
15			
16			
17			
18			
19			
20			
21			
22			
23			
24			
25			
26			
27			
28			

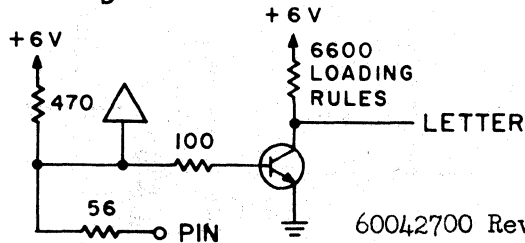
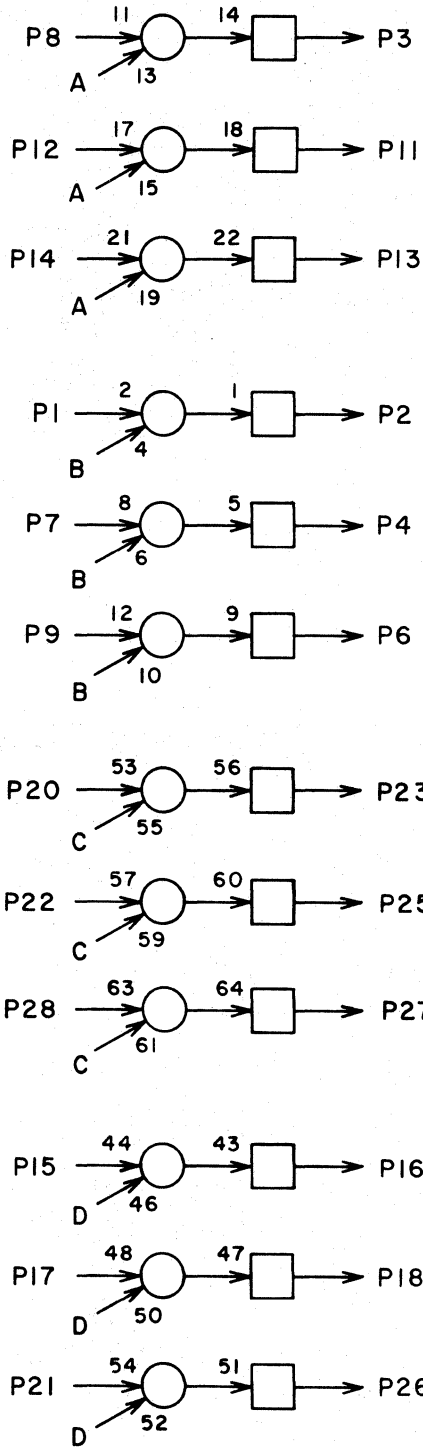
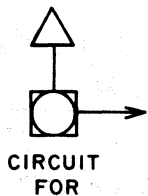
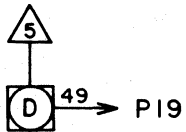
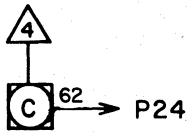
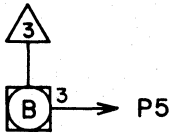
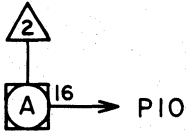
JACK PIN LG  
SEE CIRCUIT SPECIFICATION  
11827600



1		
2		
3		
4		
5		
6		
7		
8		
9		
10		
11		
12		
13		
14		
15		
16		
17		
18		
19		
20		
21		
22		
23		
24		
25		
26		
27		
28		

JACK PIN LG

SEE CIRCUIT SPECIFICATION  
11827600 60042700 Rev AB



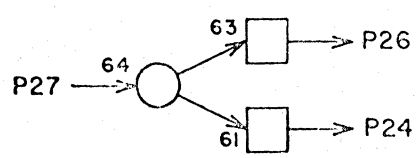
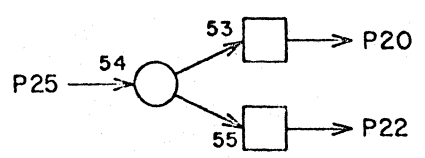
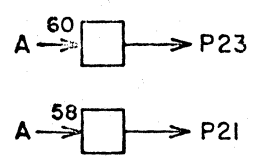
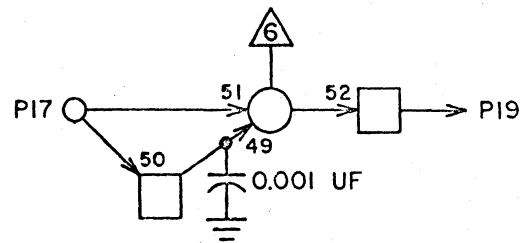
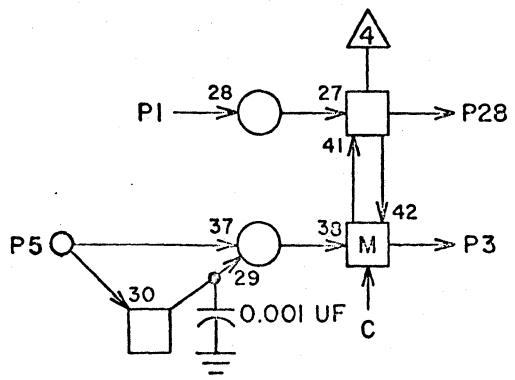
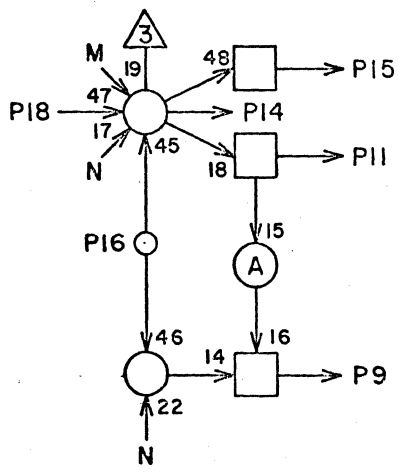
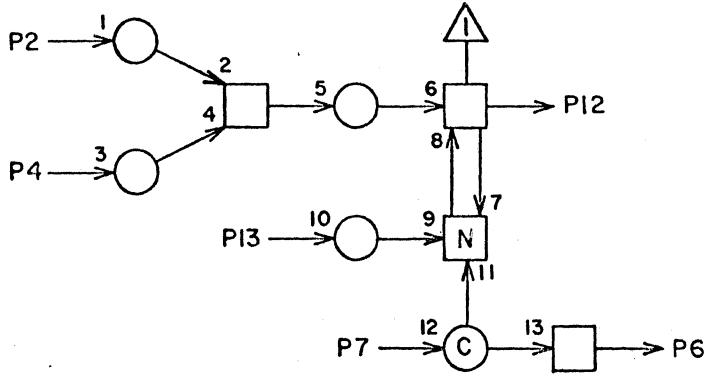
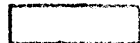
60042700 Rev AB

CIRCUIT SPECIFICATION 11827600

1			
2			
3			
4			
5			
6			
7			
8			
9			
10			
11			
12			
13			
14			
15			
16			
17			
18			
19			
20			
21			
22			
23			
24			
25			
26			
27			
28			

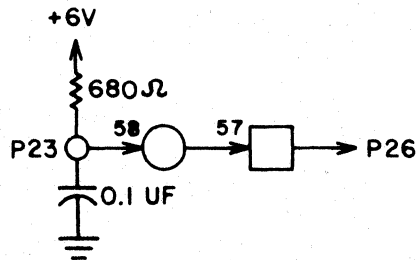
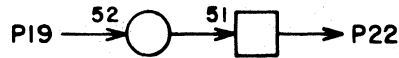
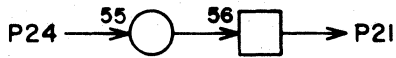
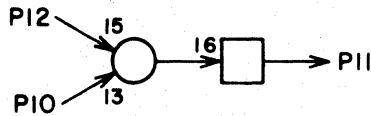
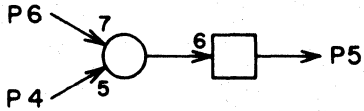
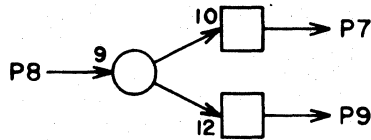
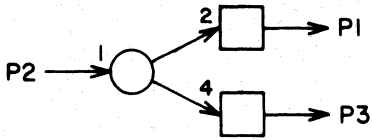
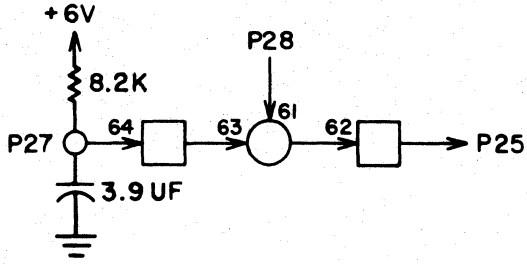
JACK PIN LG





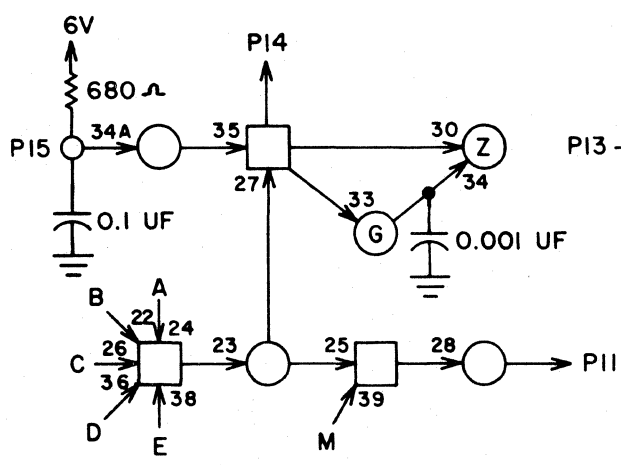
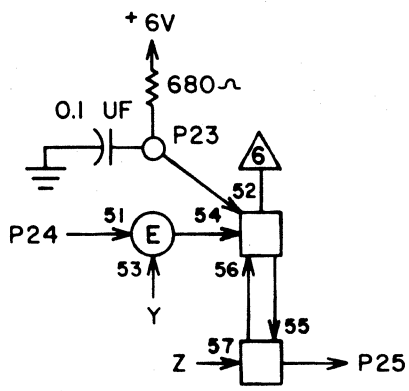
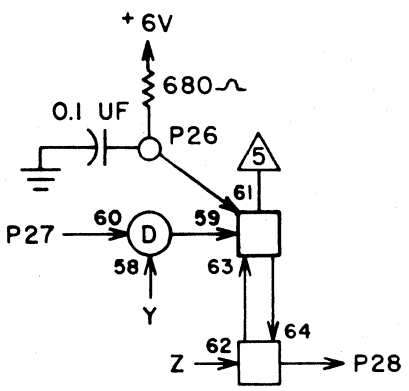
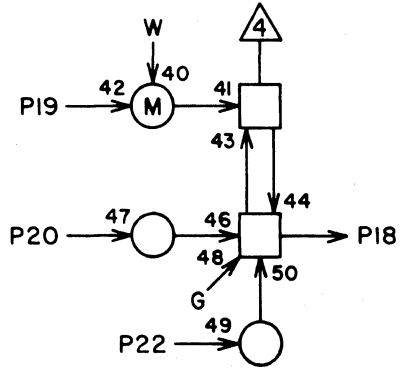
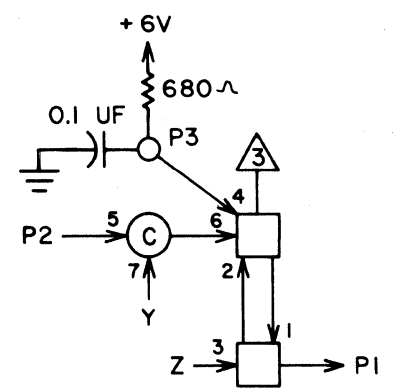
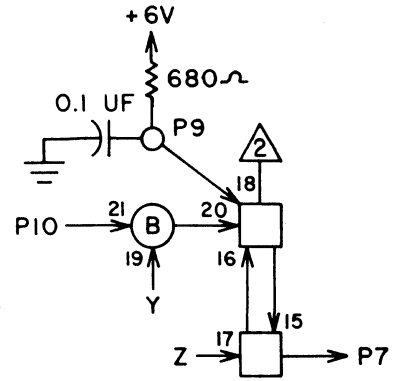
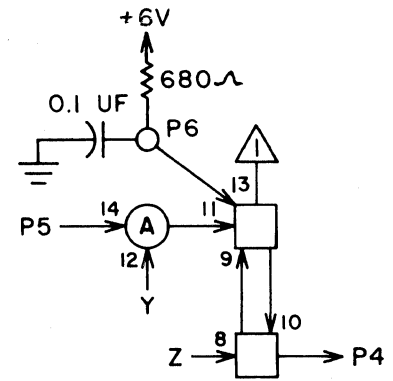
1			
2			
3			
4			
5			
6			
7			
8			
9			
10			
11			
12			
13			
14			
15			
16			
17			
18			
19			
20			
21			
22			
23			
24			
25			
26			
27			
28			

JACK PIN LG  
 SEE CIRCUIT SPECIFICATION  
 11827600  
 60042700 Rev. U



1			
2			
3			
4			
5			
6			
7			
8			
9			
10			
11			
12			
13			
14			
15			
16			
17			
18			
19			
20			
21			
22			
23			
24			
25			
26			
27			
28			

JACK PIN LG  
SEE CIRCUIT SPECIFICATION  
11827600



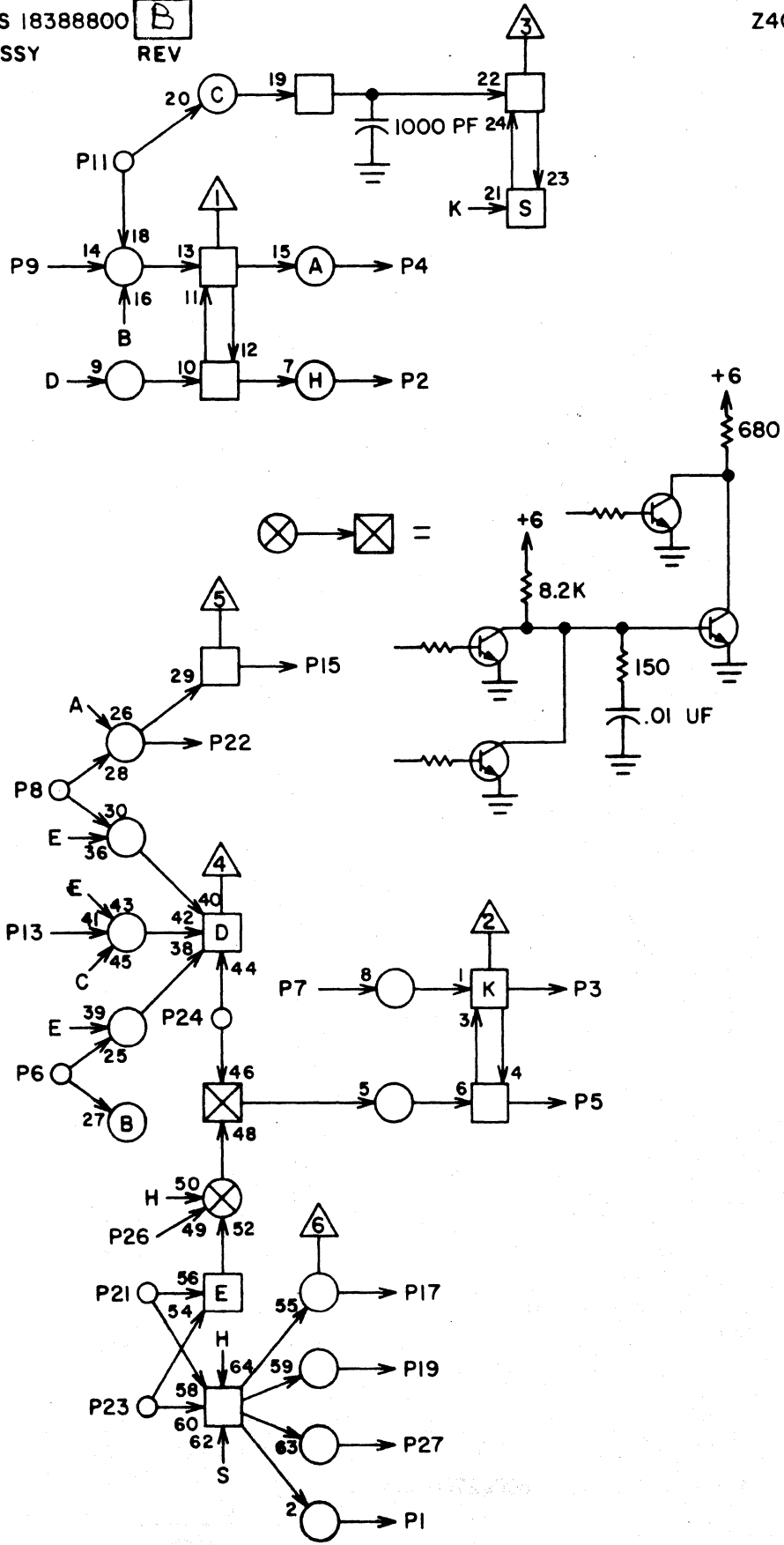
1			
2			
3			
4			
5			
6			
7			
8			
9			
10			
11			
12			
13			
14			
15			
16			
17			
18			
19			
20			
21			
22			
23			
24			
25			
26			
27			
28			

JACK PIN LG  
 SEE CIRCUIT SPECIFICATION  
 I1827600  
 60042700 Rev. R



LS 18388800 **B**  
 ASSY REV

Z40



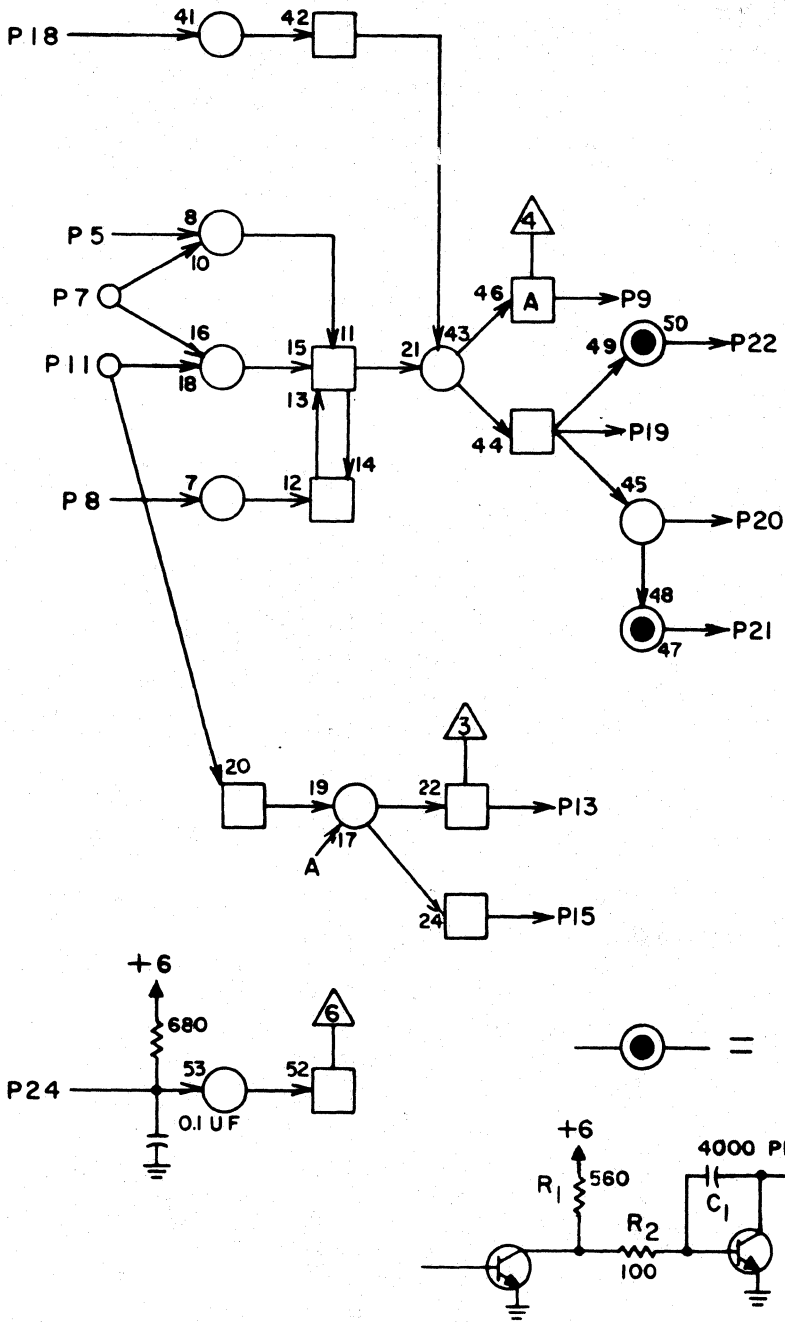
1			
2			
3			
4			
5			
6			
7			
8			
9			
10			
11			
12			
13			
14			
15			
16			
17			
18			
19			
20			
21			
22			
23			
24			
25			
26			
27			
28			

JACK PIN LG  
 SEE CIRCUIT SPECIFICATION  
 11827600  
 60042700 Rev. S

LS 18992000  
ASSY

**B**  
REV

Z 41



1			
2			
3			
4			
5			
6			
7			
8			
9			
10			
11			
12			
13			
14			
15			
16			
17			
18			
19			
20			
21			
22			
23			
24			
25			
26			
27			
28			

JACK PIN LG

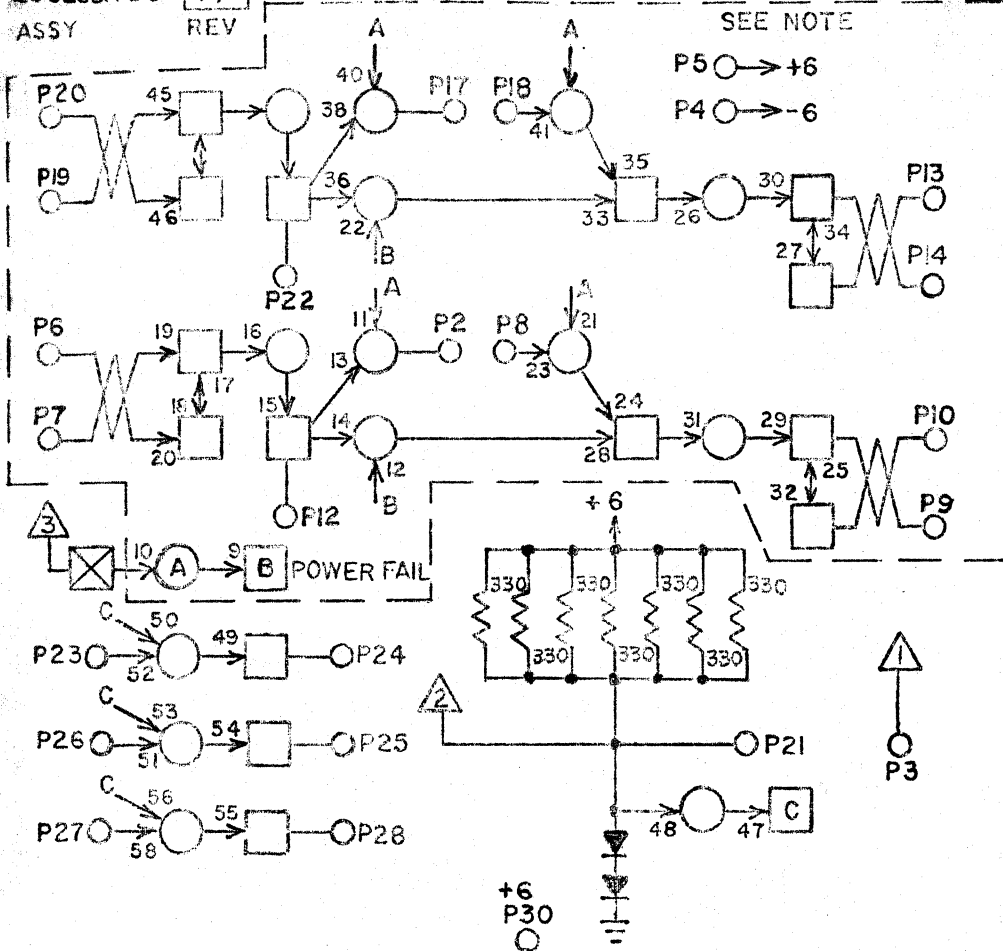
CIRCUIT SPECIFICATION 11827600 60042700 Rev AB



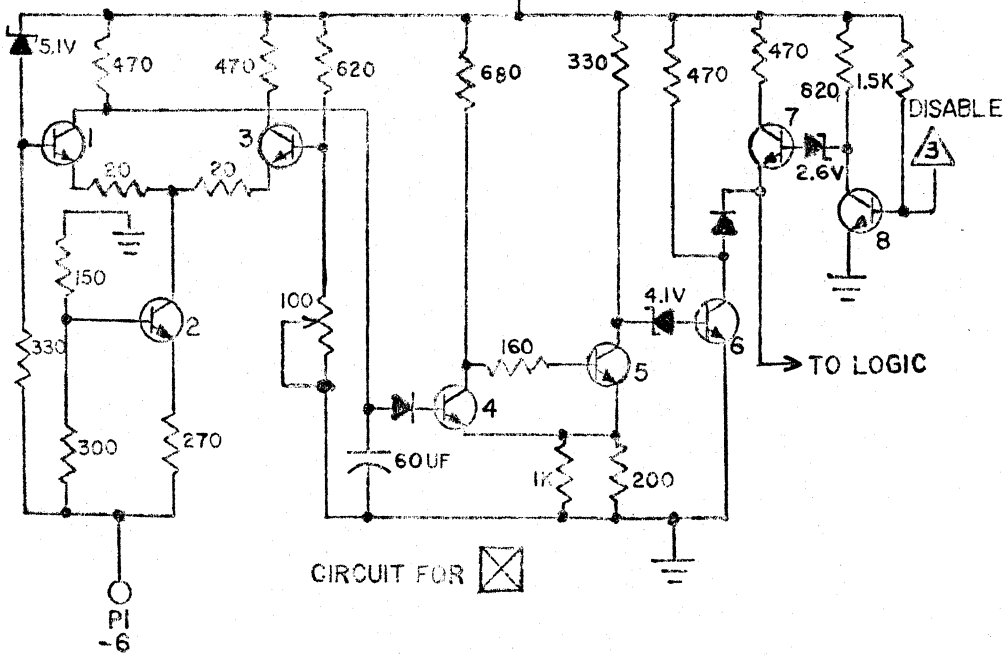
LS52681700  
ASSY

A  
REV

SEE NOTE



+6VDC POWER SENSOR



NOTE: CIRCUITRY WITHIN DOTTED LINE IS  
POWERED FROM P4 AND P5.

60042700 Rev AB

Z 43

1			
2			
3			
4			
5			
6			
7			
8			
9			
10			
11			
12			
13			
14			
15			
16			
17			
18			
19			
20			
21			
22			
23			
24			
25			
26			
27			
28			

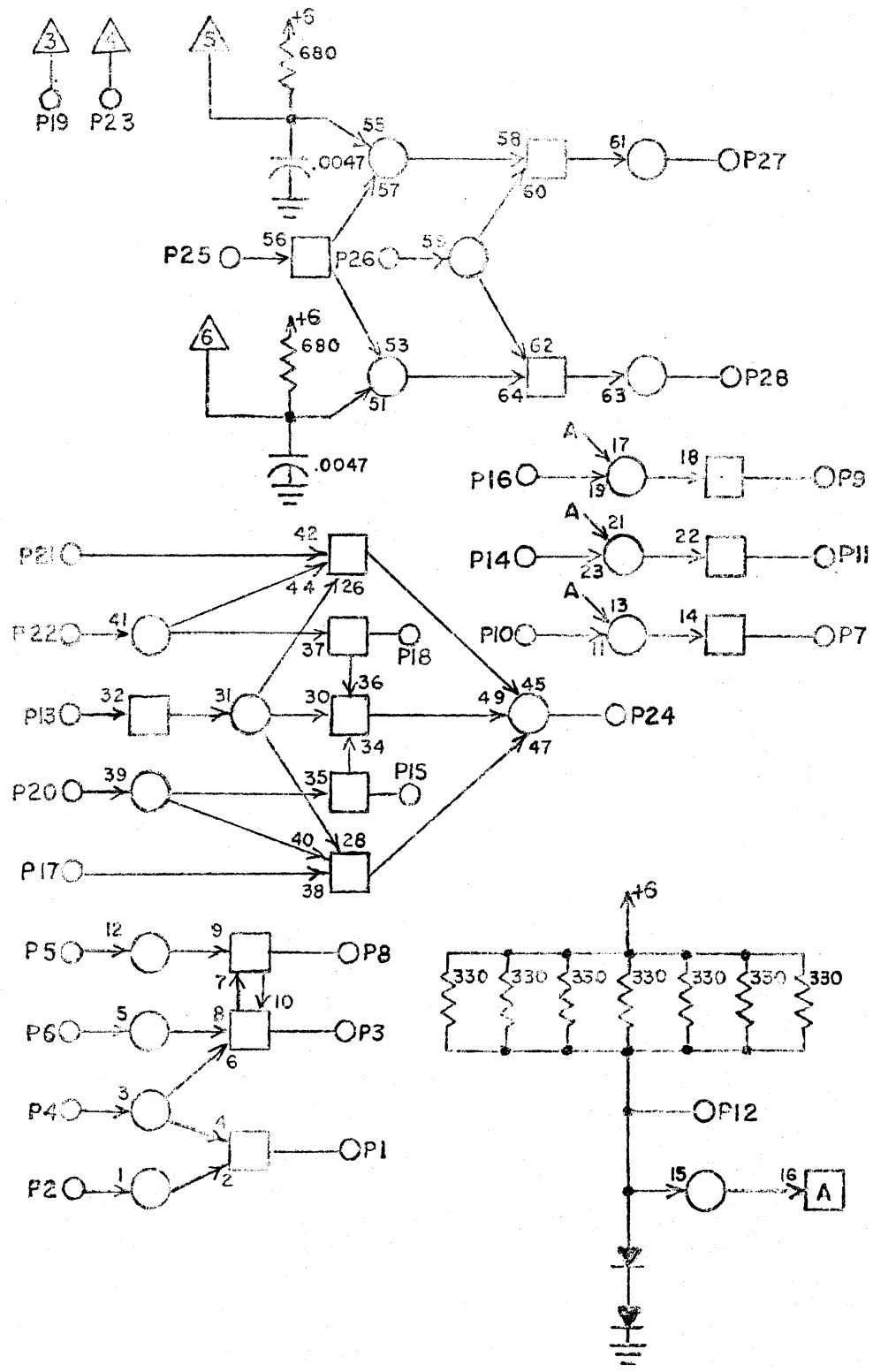
JACK FIN LK  
SEE CIRCUIT SPECIFICATI  
11827600



LS 5268/800  
ASSY

A  
REV

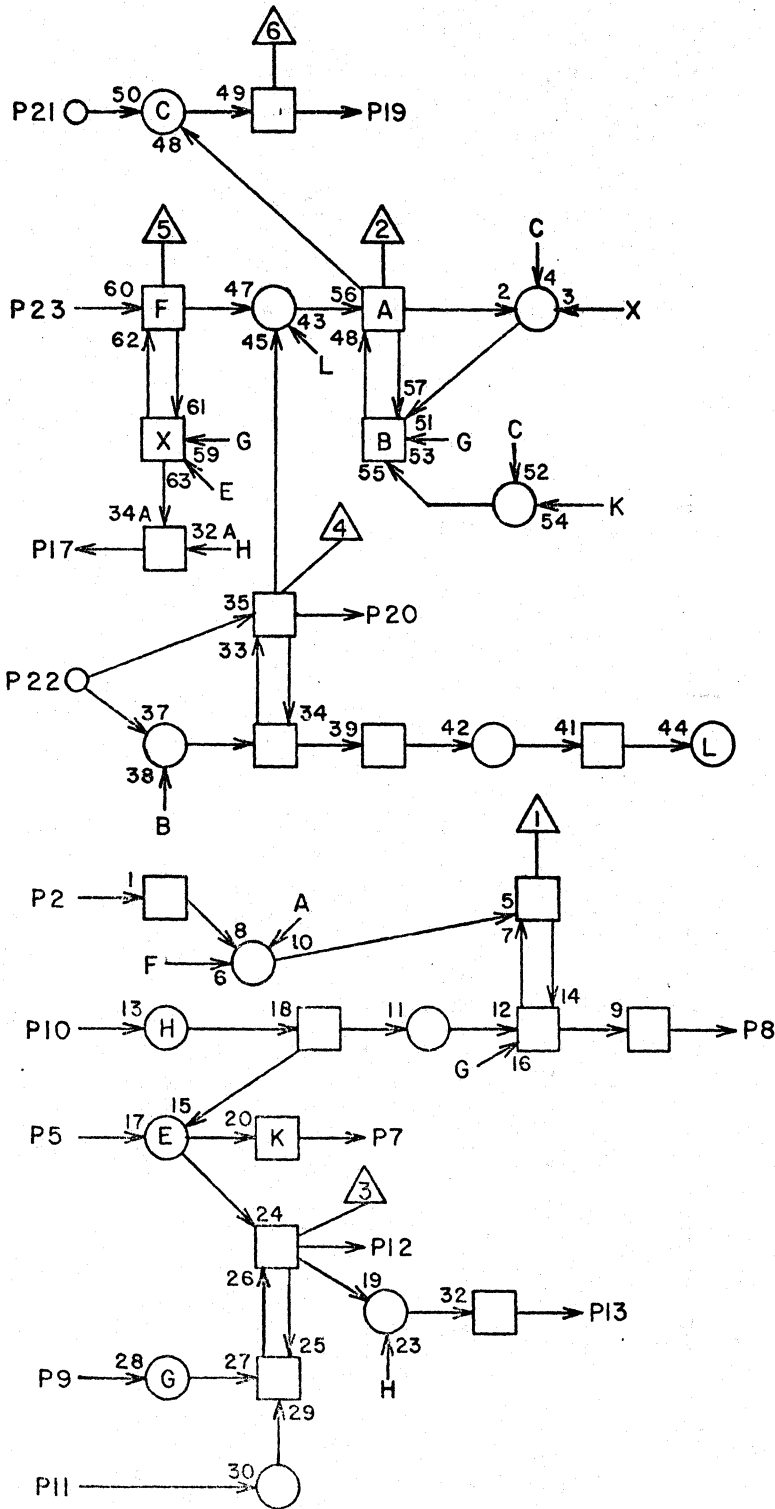
Z 4 4



1			
2			
3			
4			
5			
6			
7			
8			
9			
10			
11			
12			
13			
14			
15			
16			
17			
18			
19			
20			
21			
22			
23			
24			
25			
26			
27			
28			

60042700 Rev AB

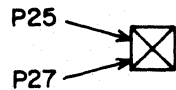
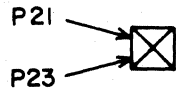
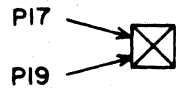
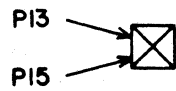
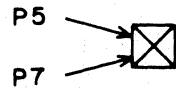
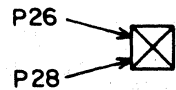
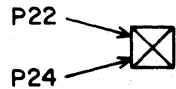
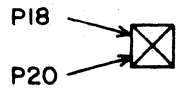
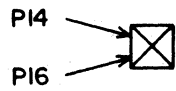
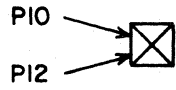
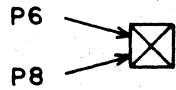
JACK PIN LG  
SEE CIRCUIT SPECIFICATION  
11827600



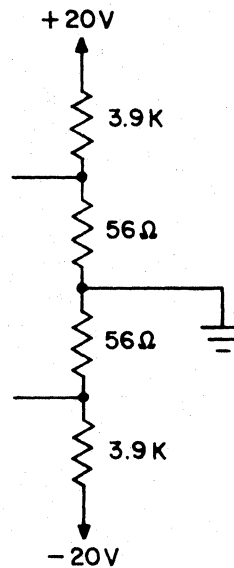
1			
2			
3			
4			
5			
6			
7			
8			
9			
10			
11			
12			
13			
14			
15			
16			
17			
18			
19			
20			
21			
22			
23			
24			
25			
26			
27			
28			

JACK PIN LG  
 SEE CIRCUIT SPECIFICATION  
 11827600  
 60042700 Rev AJ





NOTE:



Z51

1		
2		
3		
4		
5		
6		
7		
8		
9		
10		
11		
12		
13		
14		
15		
16		
17		
18		
19		
20		
21		
22		
23		
24		
25		
26		
27		
28		

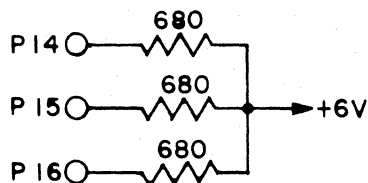
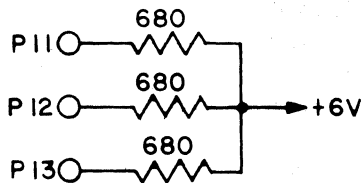
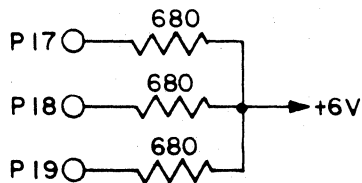
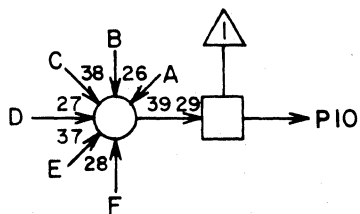
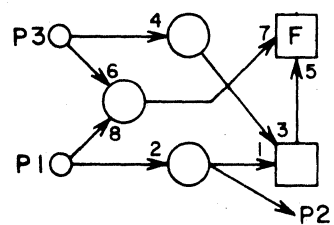
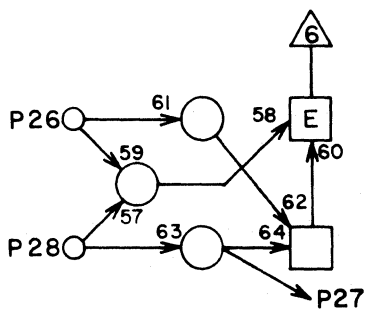
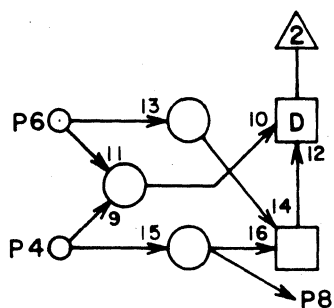
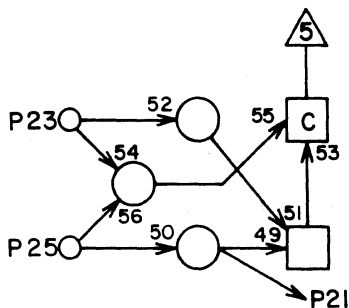
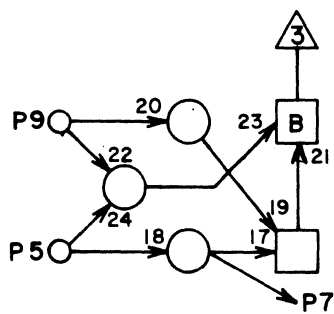
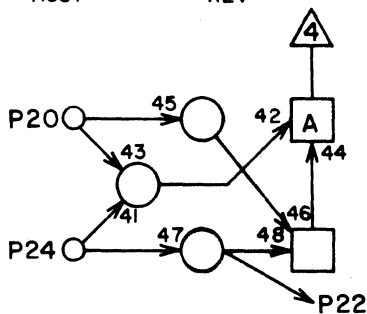
JACK PIN LG

CIRCUIT SPECIFICATION  
11827600  
60042700 Rev. K

LS 18024800  
ASSY

**B**  
REV

Z52

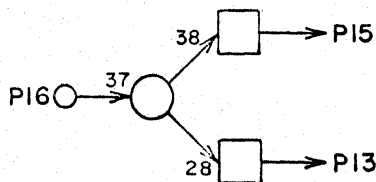
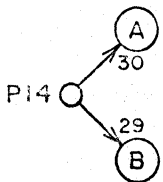
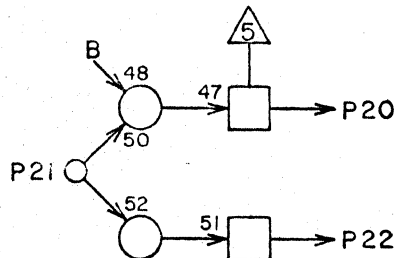
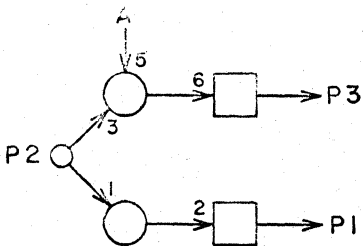
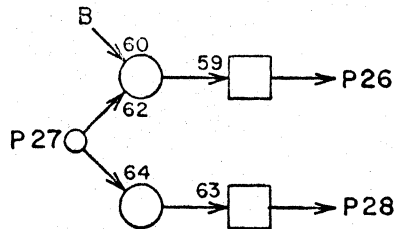
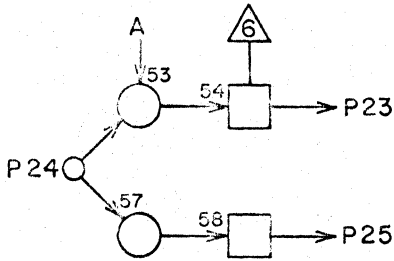
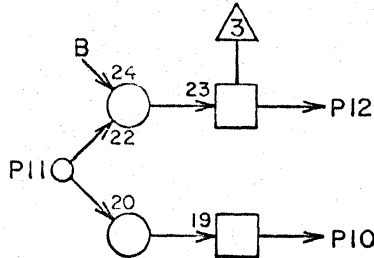
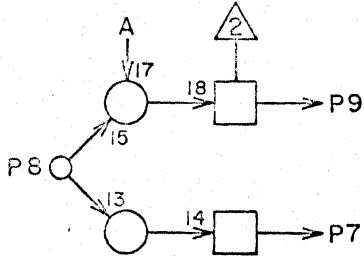
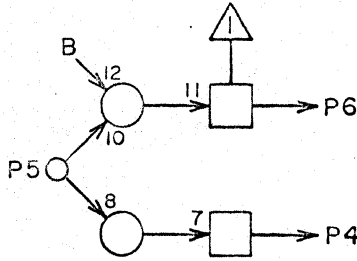
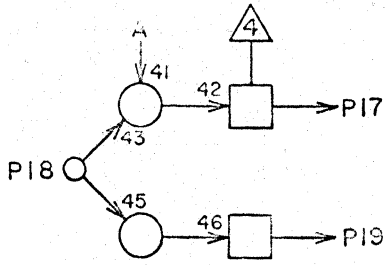


1		
2		
3		
4		
5		
6		
7		
8		
9		
10		
11		
12		
13		
14		
15		
16		
17		
18		
19		
0		
21		
22		
23		
24		
25		
26		
27		
28		

JACK PIN LG

60042700 Rev. K

CIRCUIT SPECIFICATION  
11827600



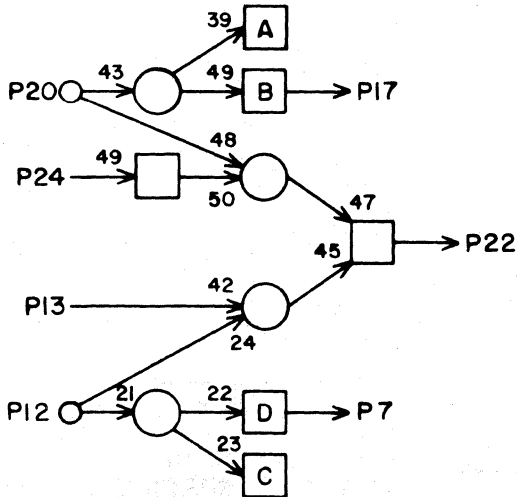
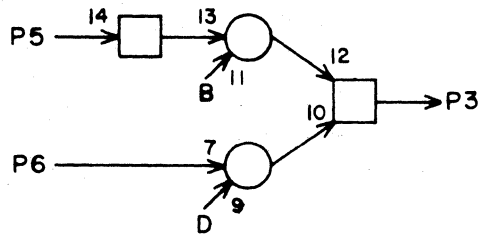
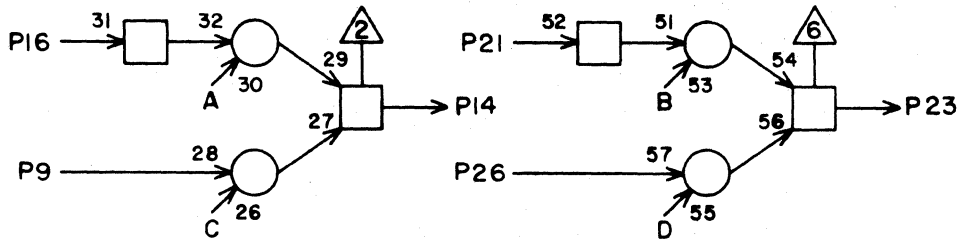
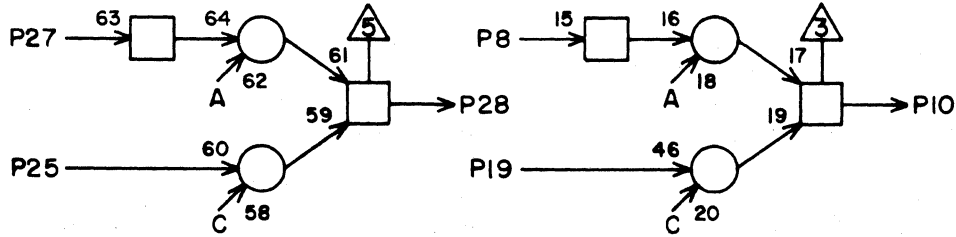
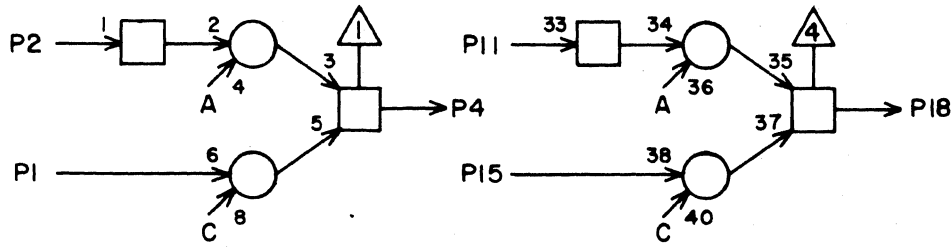
1			
2			
3			
4			
5			
6			
7			
8			
9			
10			
11			
12			
13			
14			
15			
16			
17			
18			
19			
20			
21			
22			
23			
24			
25			
26			
27			
28			

JACK PIN LG

LS 18035000  
ASSY

**B**  
REV

Z 54

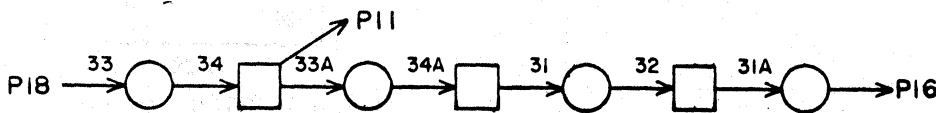
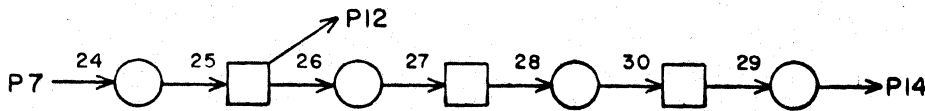
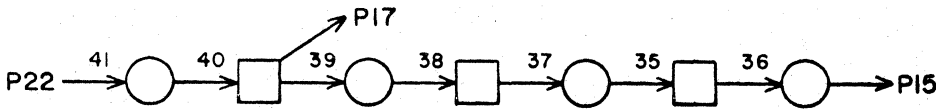
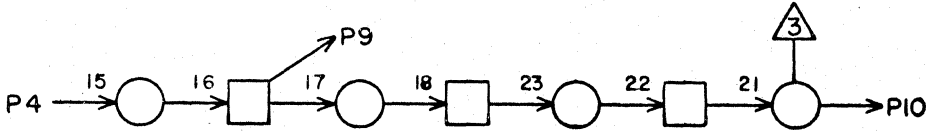
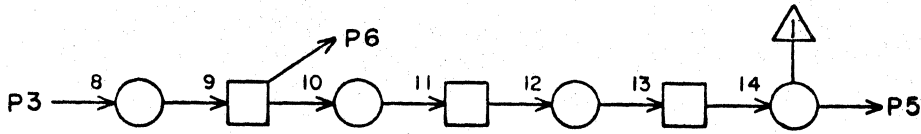
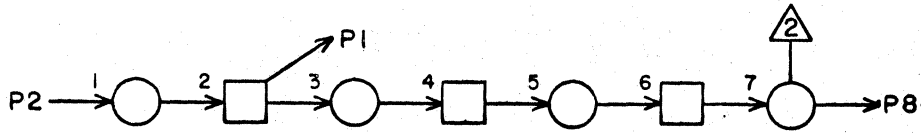
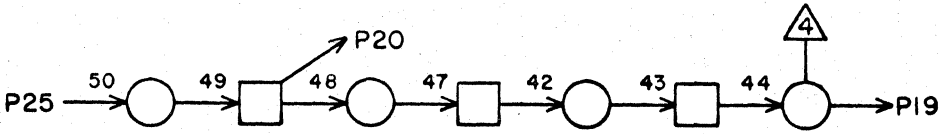
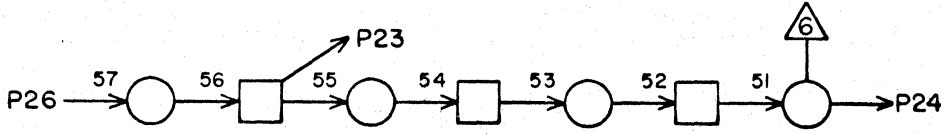
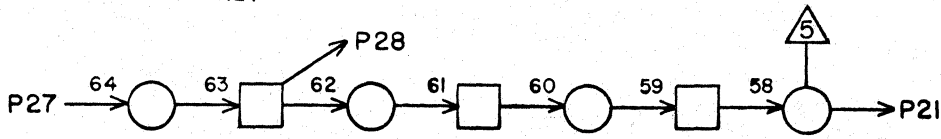


1			
2			
3			
4			
5			
6			
7			
8			
9			
10			
11			
12			
13			
14			
15			
16			
17			
18			
19			
20			
21			
22			
23			
24			
25			
26			
27			
28			

JACK PIN LG

60042700 Rev. K

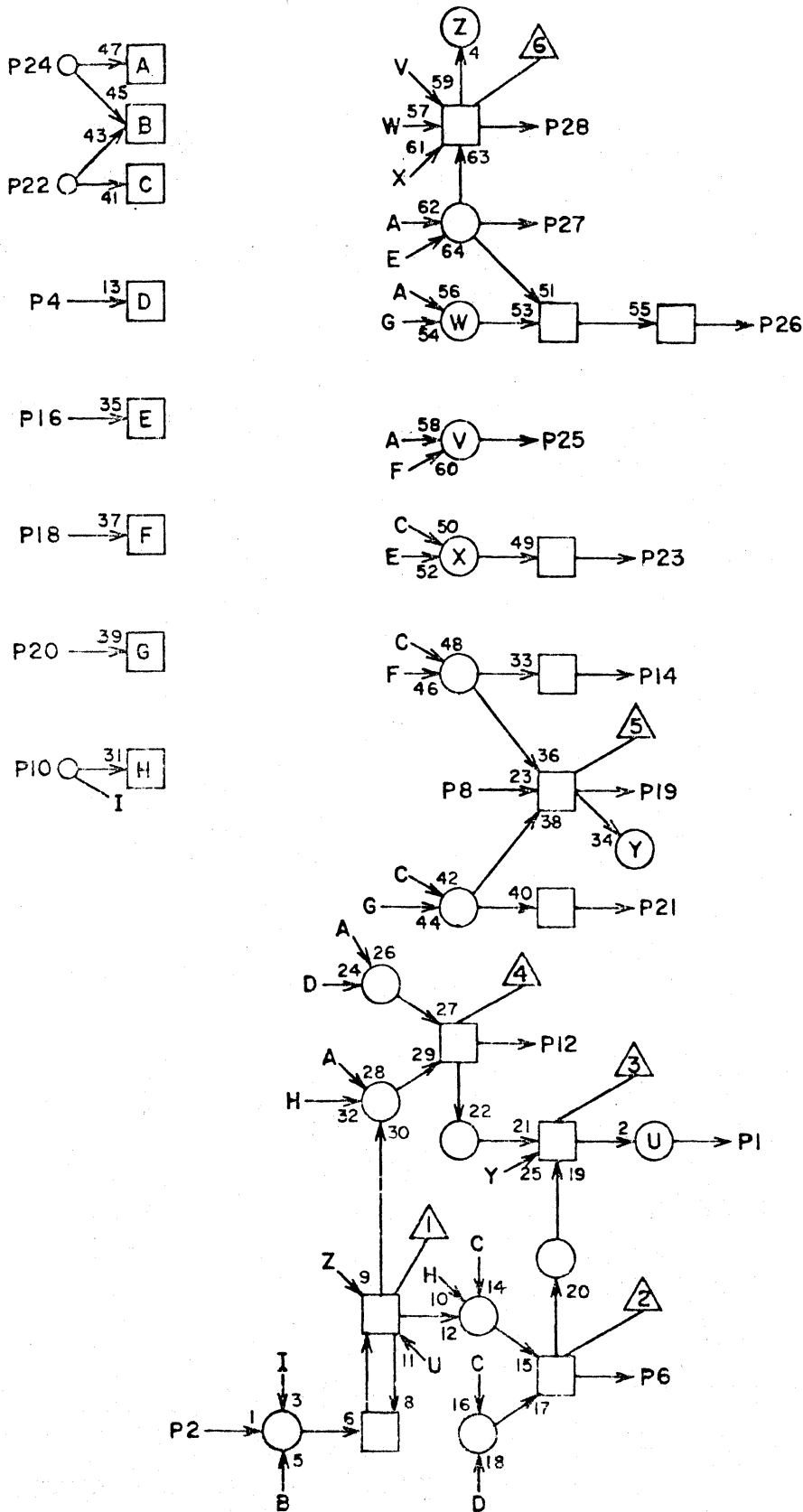
CIRCUIT SPECIFICATION  
11827600



1			
2			
3			
4			
5			
6			
7			
8			
9			
10			
11			
12			
13			
14			
15			
16			
17			
18			
19			
20			
21			
22			
23			
24			
25			
26			
27			
28			

JACK PIN LG



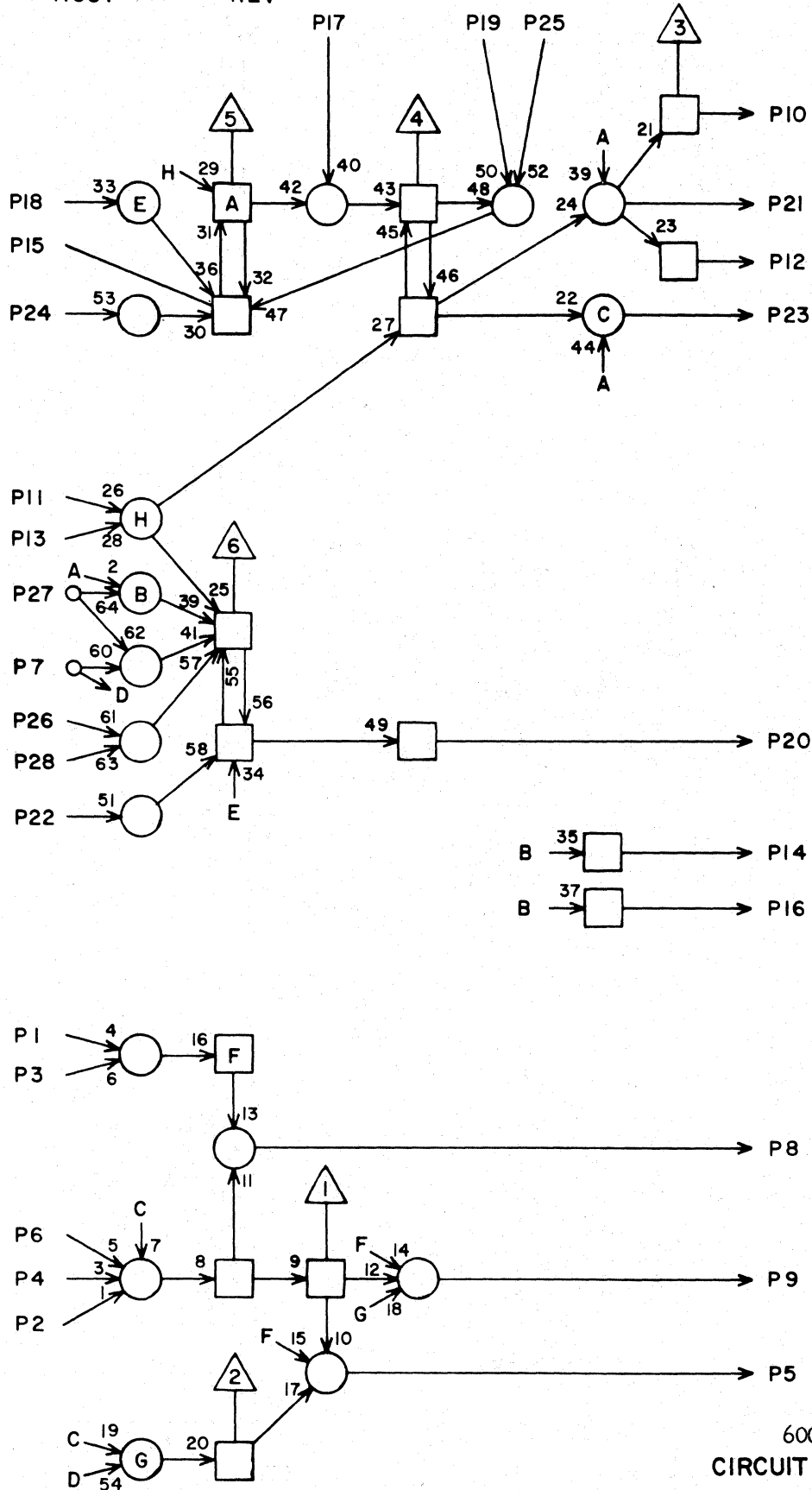


1			
2			
3			
4			
5			
6			
7			
8			
9			
10			
11			
12			
13			
14			
15			
16			
17			
18			
19			
20			
21			
22			
23			
24			
25			
26			
27			
28			

JACK PIN LG

LS18042300  
ASSY

**B**  
REV



Z57

1			
2			
3			
4			
5			
6			
7			
8			
9			
10			
11			
12			
13			
14			
15			
16			
17			
18			
19			
20			
21			
22			
23			
24			
25			
26			
27			
28			

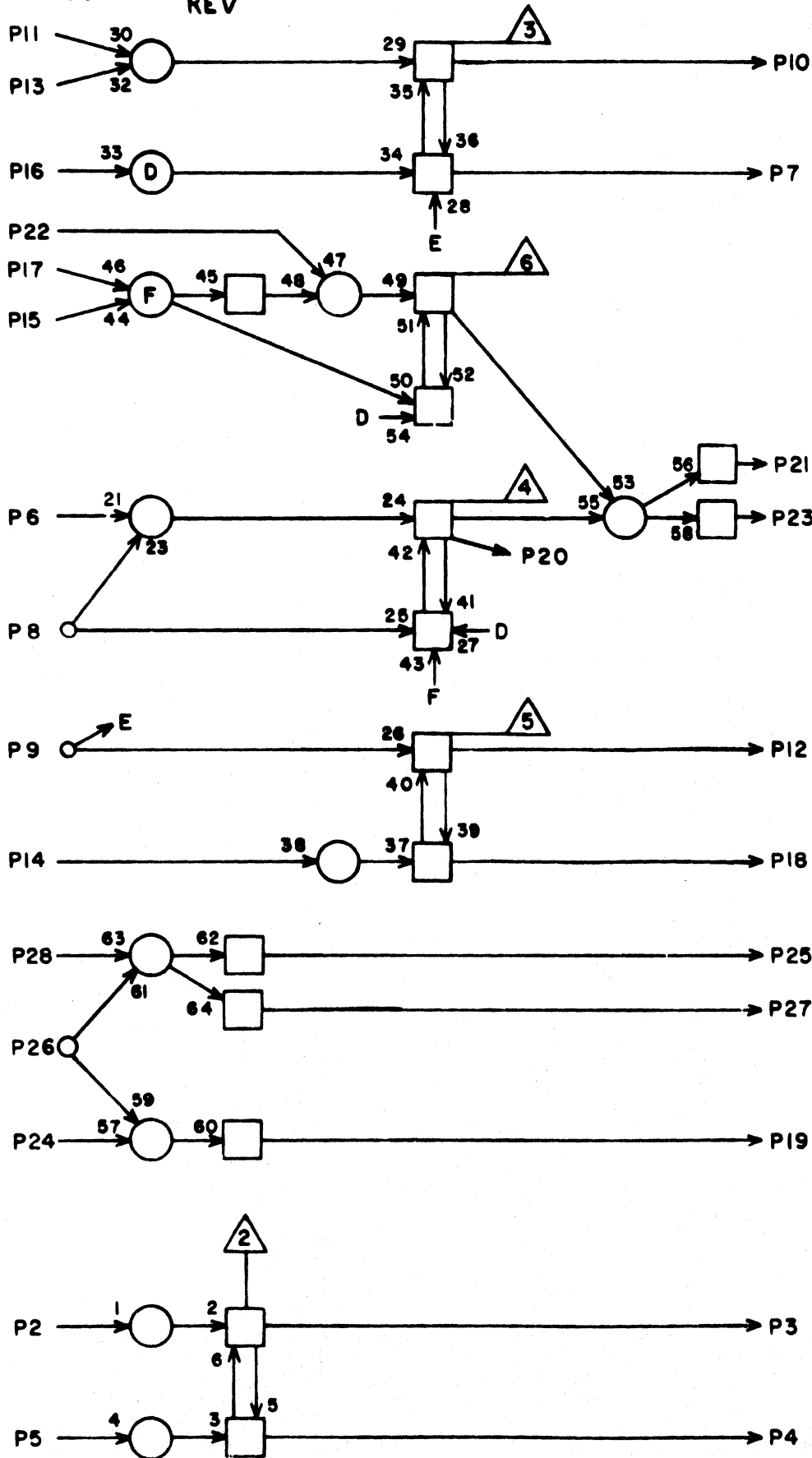
JACK PIN LG

60042700 Rev. K  
CIRCUIT SPECIFICATION 11827600

LS18042500  
ASSY

**C**  
REV

Z 58

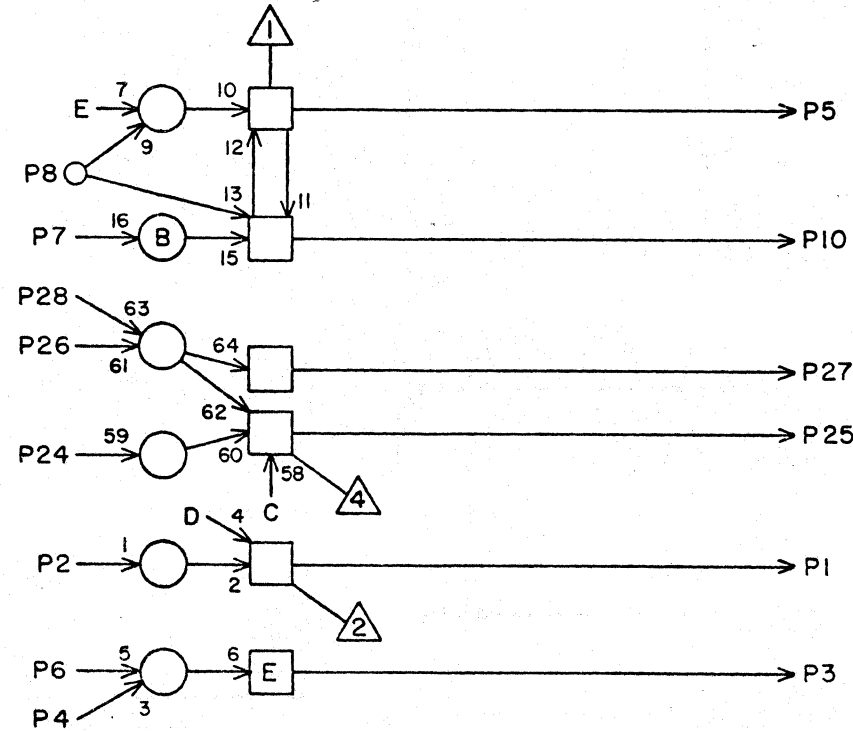
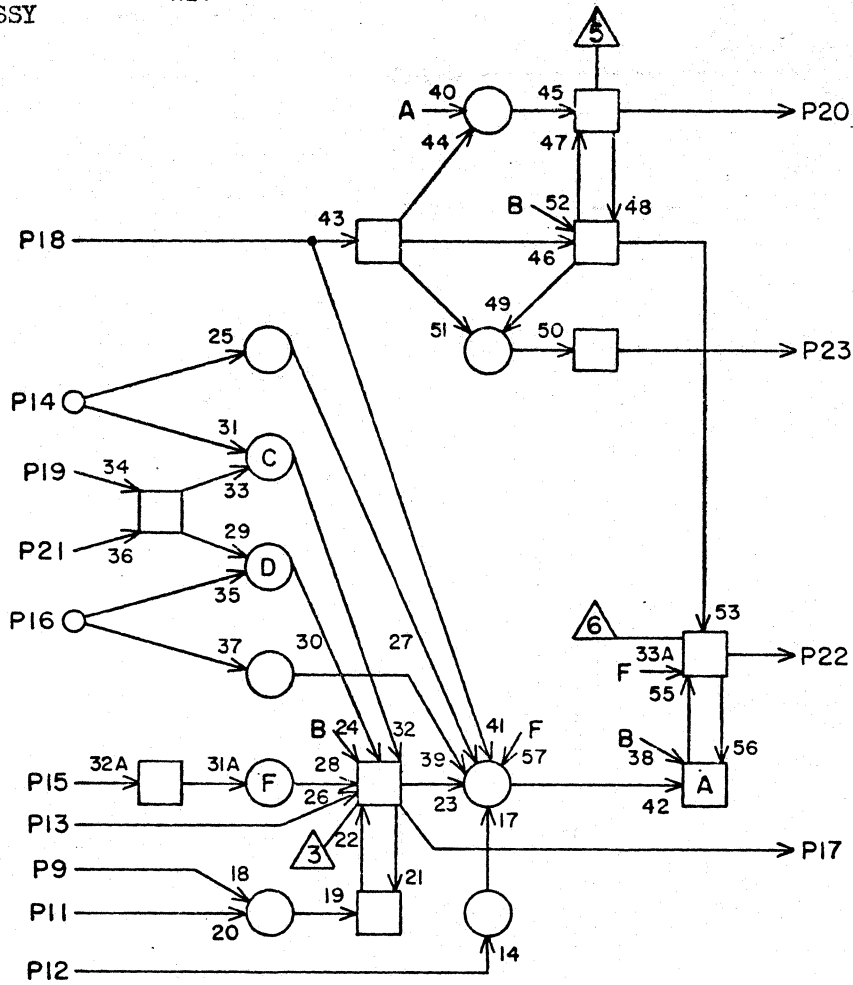


1			
2			
3			
4			
5			
6			
7			
8			
9			
10			
11			
12			
13			
14			
15			
16			
17			
18			
19			
20			
21			
22			
23			
24			
25			
26			
27			
28			

JACK PIN LG

**CIRCUIT SPECIFICATION**  
**11827600**  
60042700 Rev. P

ASSY



1			
2			
3			
4			
5			
6			
7			
8			
9			
10			
11			
12			
13			
14			
15			
16			
17			
18			
19			
20			
21			
22			
23			
24			
25			
26			
27			
28			

JACK PIN LG

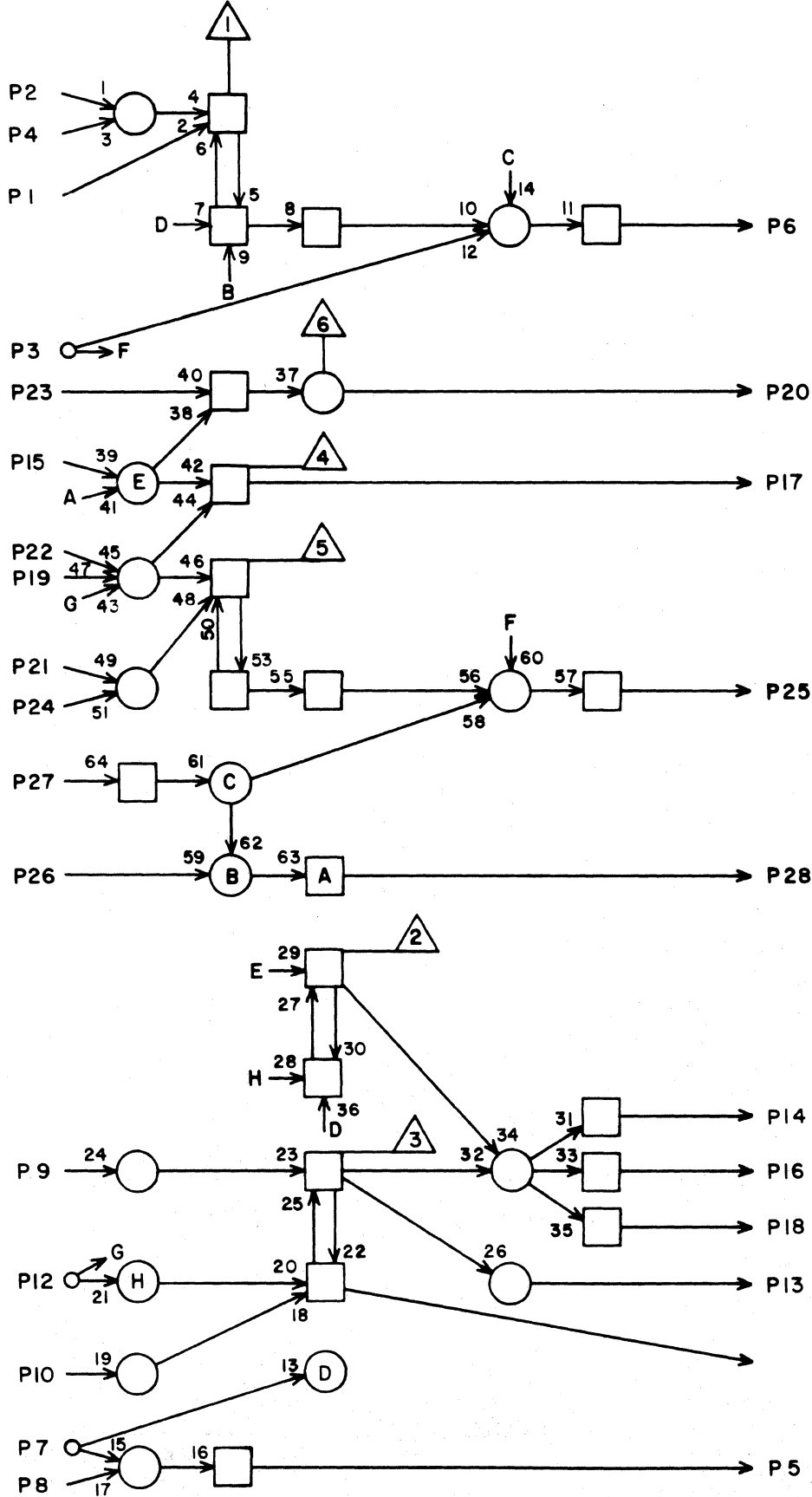
CIRCUIT SPECIFICATION  
11827600  
60042700 Rev. Y

LS 18042900  
ASSY

**B**  
REV

Z60

[ ]



1			
2			
3			
4			
5			
6			
7			
8			
9			
10			
11			
12			
13			
14			
15			
16			
17			
18			
19			
20			
21			
22			
23			
24			
25			
26			
27			
28			

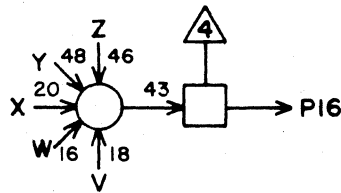
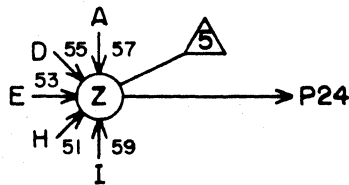
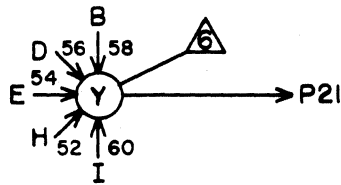
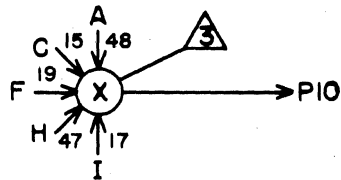
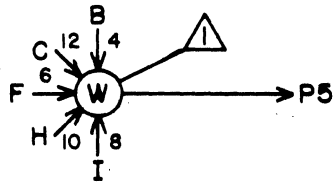
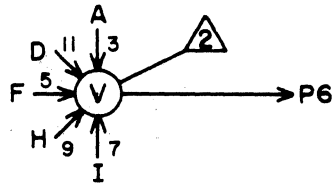
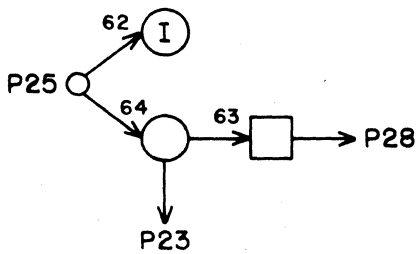
JACK PIN LG

60042700 Rev. K

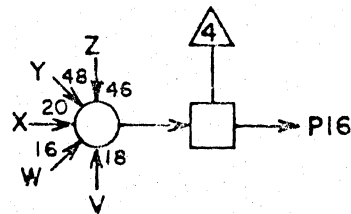
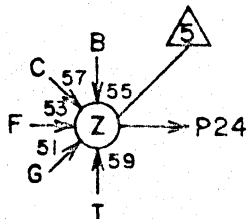
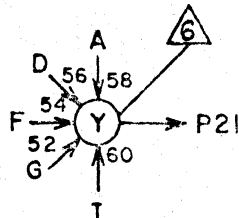
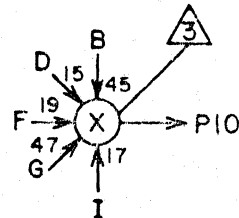
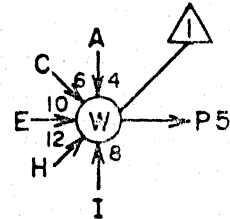
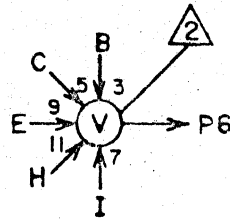
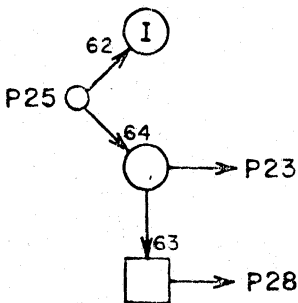
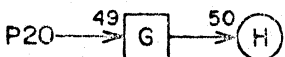
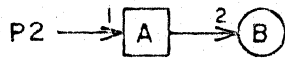
CIRCUIT SPECIFICATION

11827600





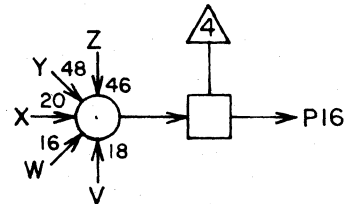
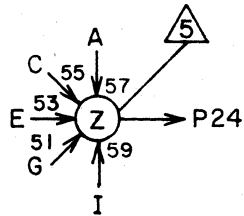
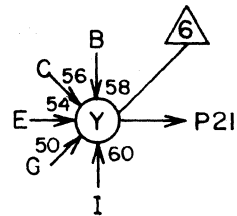
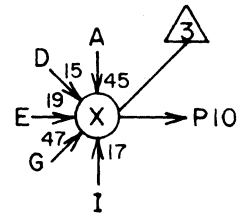
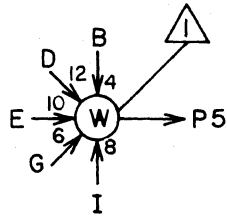
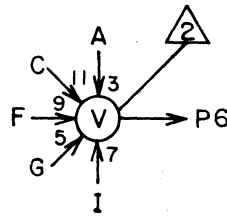
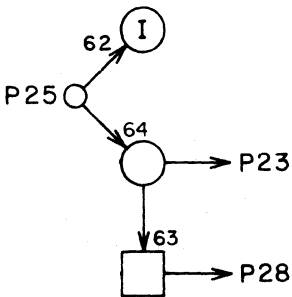
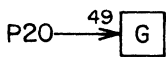
1			
2			
3			
4			
5			
6			
7			
8			
9			
10			
11			
12			
13			
14			
15			
16			
17			
18			
19			
20			
21			
22			
23			
24			
25			
26			
27			
28			



1			
2			
3			
4			
5			
6			
7			
8			
9			
10			
11			
12			
13			
14			
15			
16			
17			
18			
19			
20			
21			
22			
23			
24			
25			
26			
27			
28			

JACK PIN LG

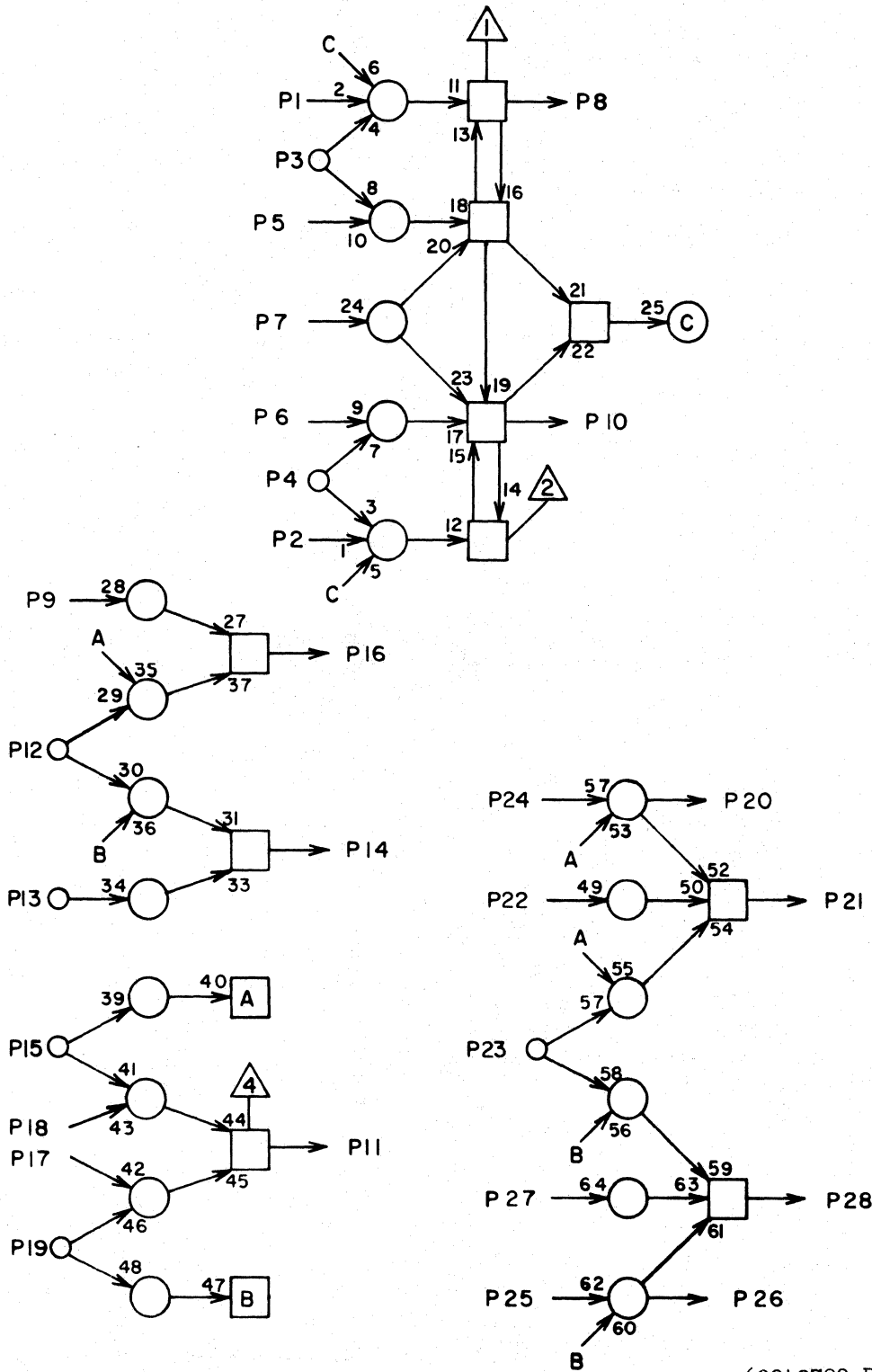




CIRCUIT SPECIFICATION 11827600  
60042700 Rev AB

1			
2			
3			
4			
5			
6			
7			
8			
9			
10			
11			
12			
13			
14			
15			
16			
17			
18			
19			
20			
21			
22			
23			
24			
25			
26			
27			
28			

JACK PIN LG



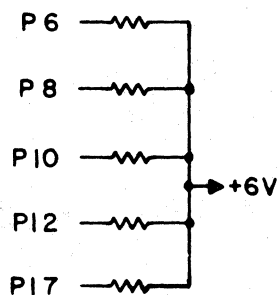
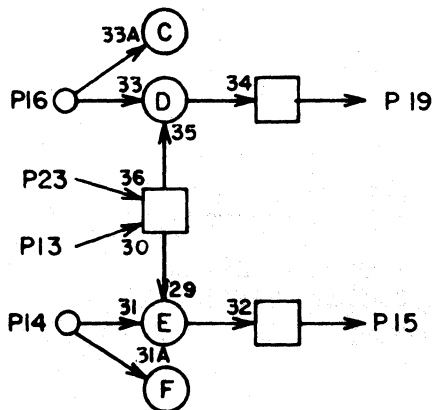
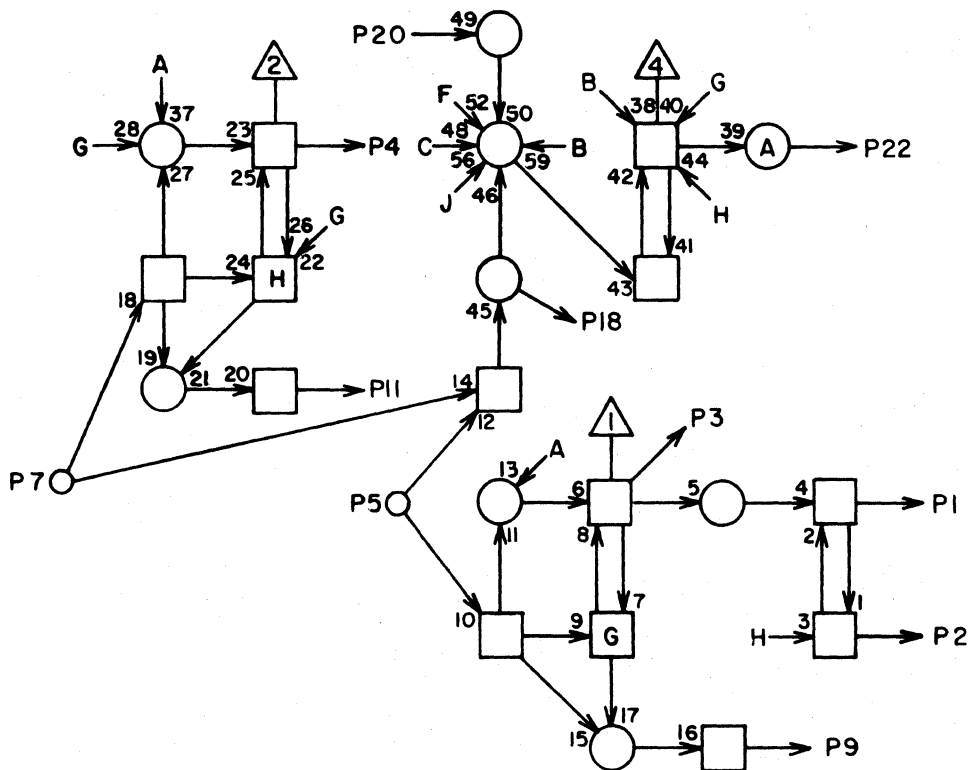
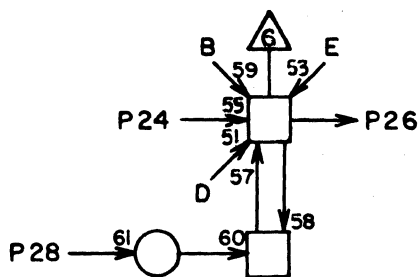
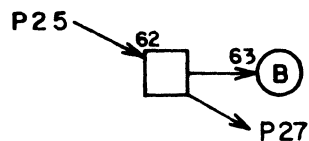
1			
2			
3			
4			
5			
6			
7			
8			
9			
10			
11			
12			
13			
14			
15			
16			
17			
18			
19			
20			
21			
22			
23			
24			
25			
26			
27			
28			

JACK PIN LG

LS 18104400  
ASSY

**C**  
REV

Z 66



1			
2			
3			
4			
5			
6			
7			
8			
9			
10			
11			
12			
13			
14			
15			
16			
17			
18			
19			
20			
21			
22			
23			
24			
25			
26			
27			
28			

JACK PIN LG

SEE CIRCUIT  
SPECIFICATION I1827600  
60042700 Rev AB

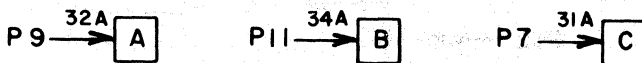
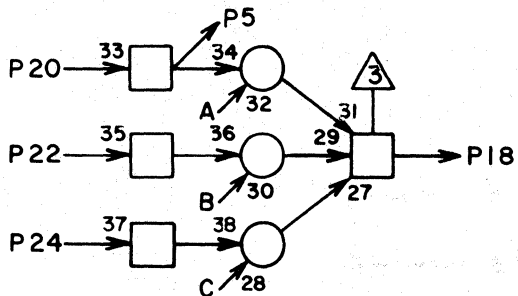
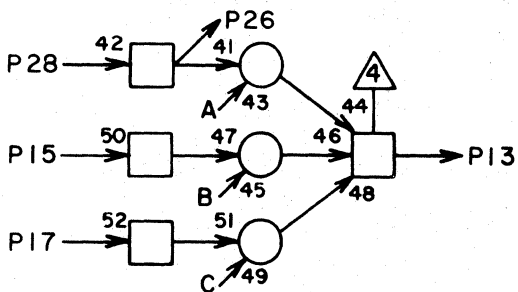
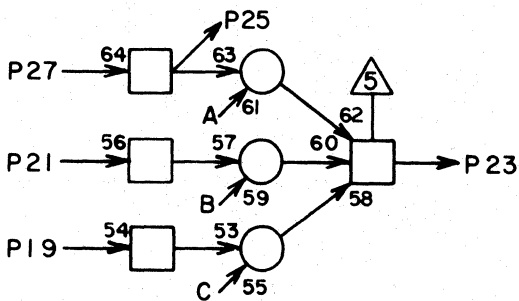
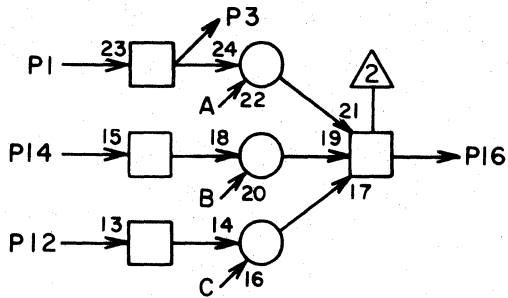
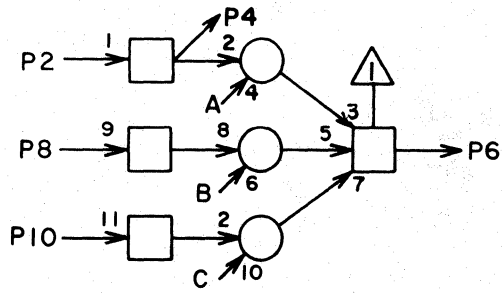
LS 18104600

B

Z67

ASSY

REV



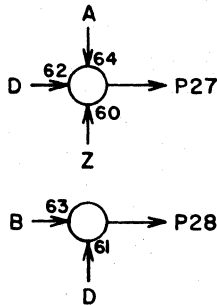
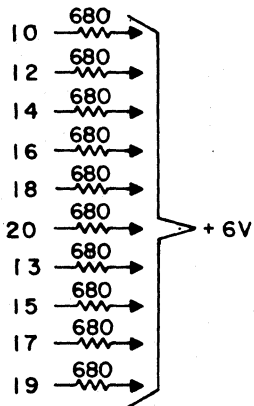
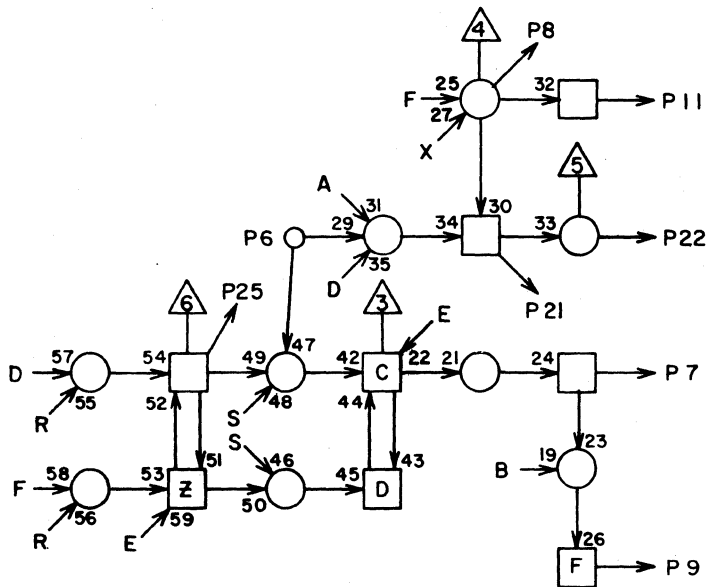
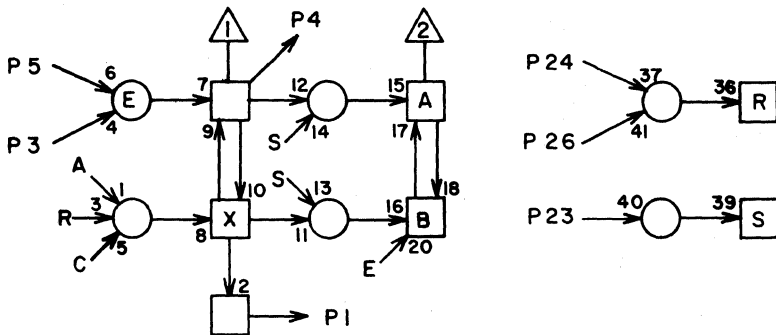
1			
2			
3			
4			
5			
6			
7			
8			
9			
10			
11			
12			
13			
14			
15			
16			
17			
18			
19			
20			
21			
22			
23			
24			
25			
26			
27			
28			

JACK PIN LG  
60042700 Rev AB  
SEE CIRCUIT SPECIFICATION  
11827600

LS 18104800  
ASSY

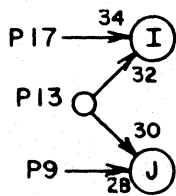
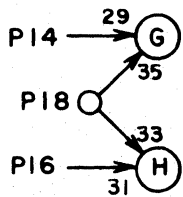
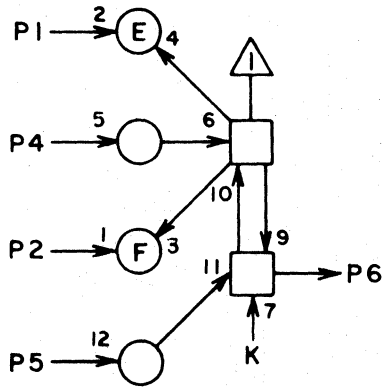
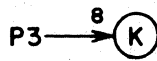
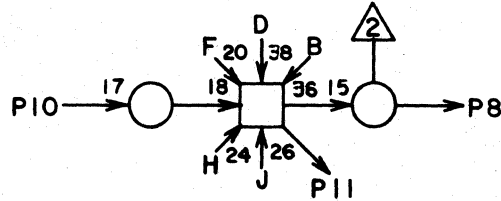
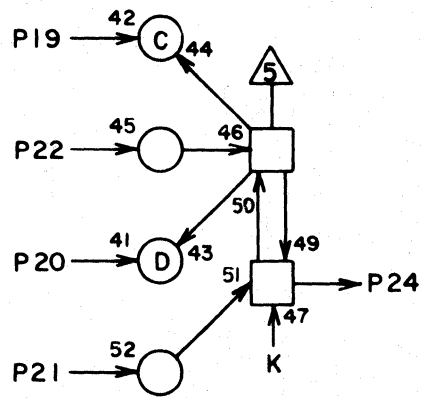
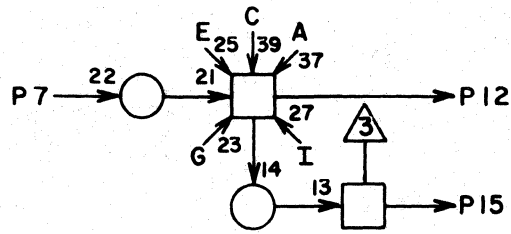
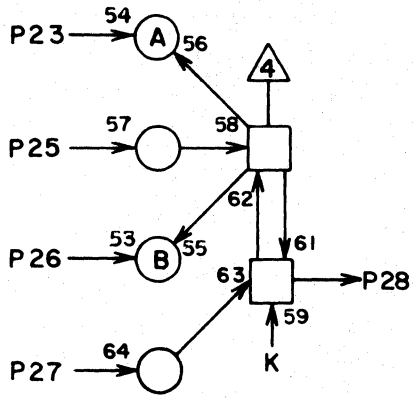
**G**  
REV

Z68



1			
2			
3			
4			
5			
6			
7			
8			
9			
10			
11			
12			
13			
14			
15			
16			
17			
18			
19			
20			
21			
22			
23			
24			
25			
26			
27			
28			

JACK PIN LG  
SEE CIRCUIT SPECIFICATION 11827600

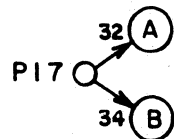
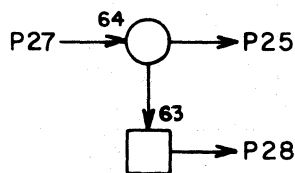
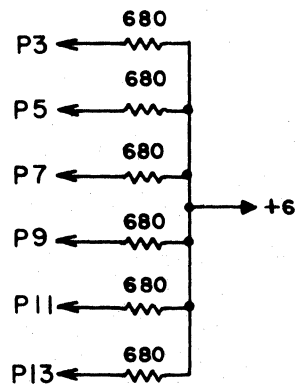
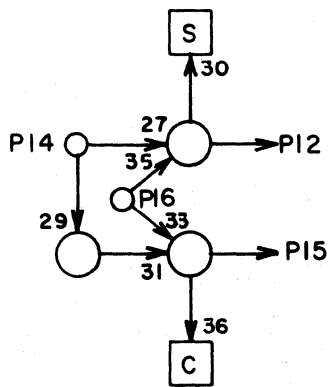
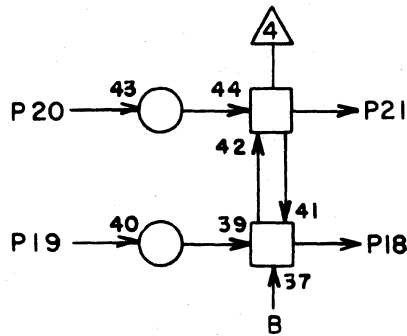
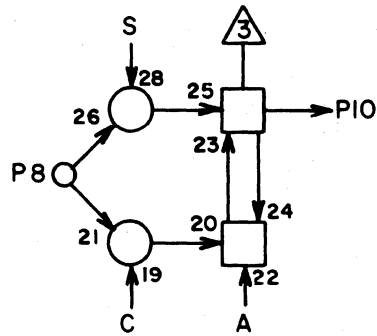
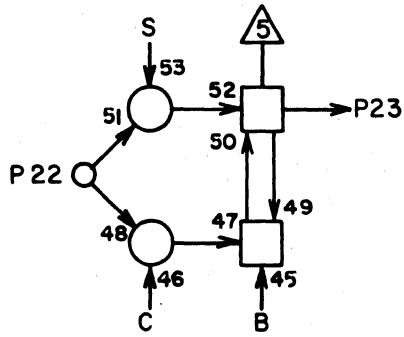
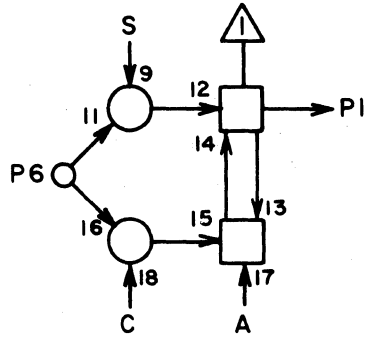
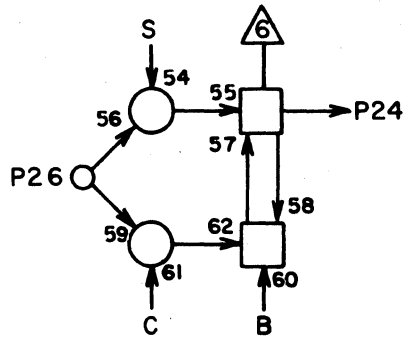
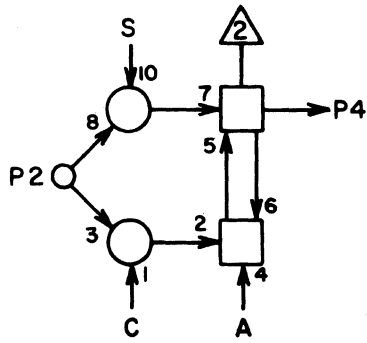


1			
2			
3			
4			
5			
6			
7			
8			
9			
10			
11			
12			
13			
14			
15			
16			
17			
18			
19			
20			
21			
22			
23			
24			
25			
26			
27			
28			

JACK PIN LG

SEE CIRCUIT SPECIFICATION

11827600



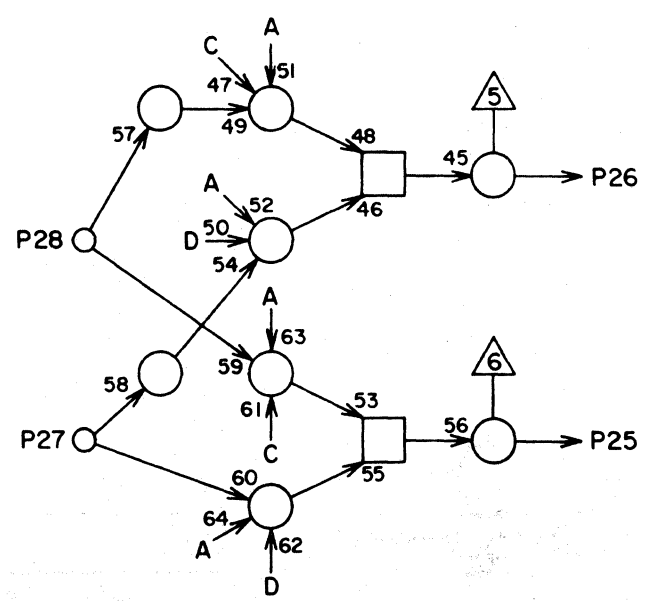
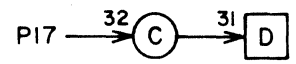
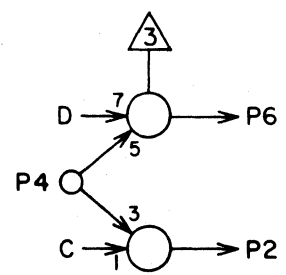
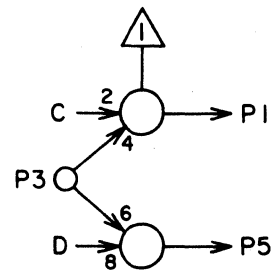
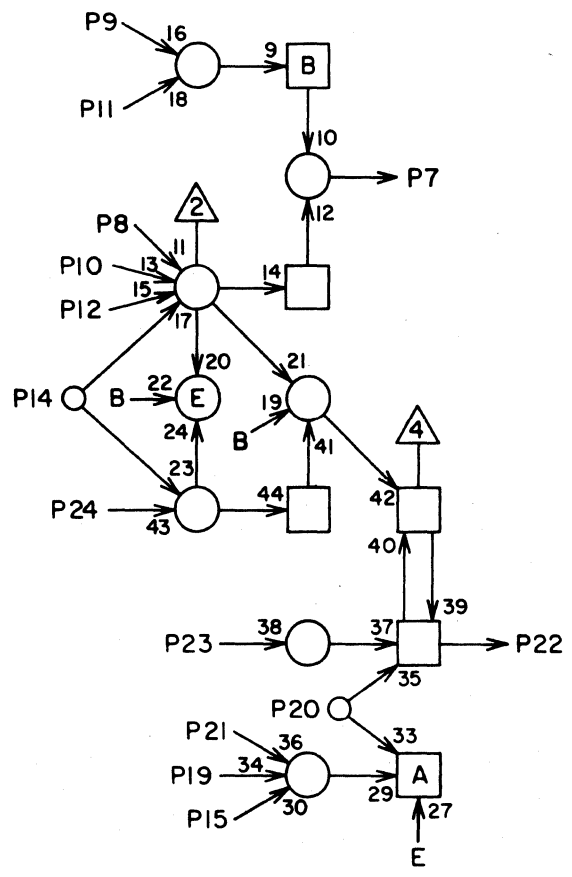
1			
2			
3			
4			
5			
6			
7			
8			
9			
10			
11			
12			
13			
14			
15			
16			
17			
18			
19			
20			
21			
22			
23			
24			
25			
26			
27			
28			

JACK PIN LG

SEE CIRCUIT SPECIFICATION  
11827600 60042700 Rev AB







1			
2			
3			
4			
5			
6			
7			
8			
9			
10			
11			
12			
13			
14			
15			
16			
17			
18			
19			
20			
21			
22			
23			
24			
25			
26			
27			
28			

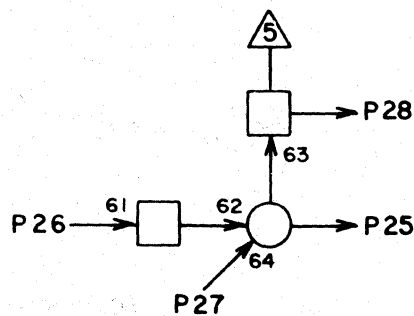
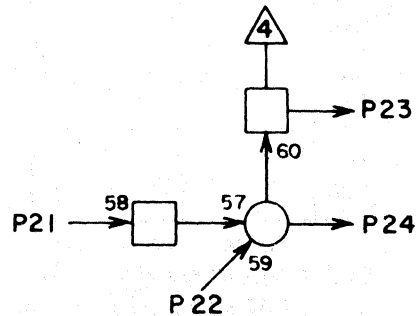
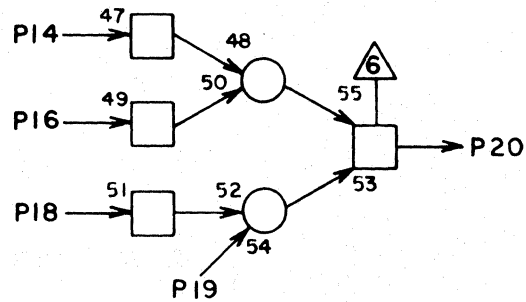
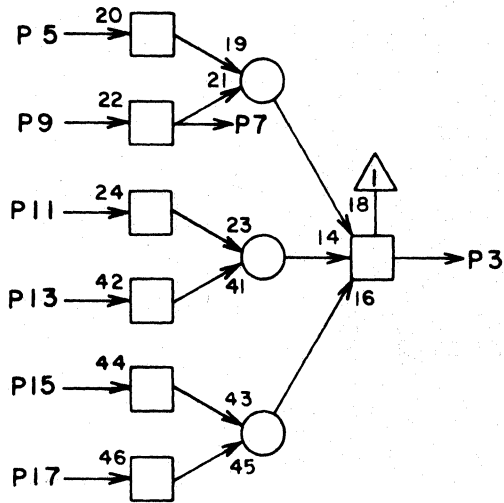
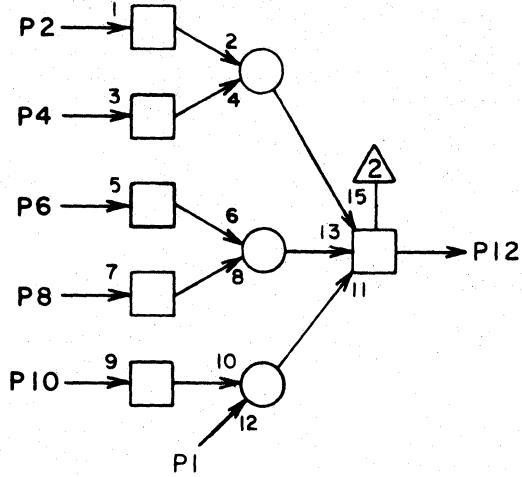
JACK PIN LG  
 SEE CIRCUIT SPECIFICATION  
 11827600

LS 18113600

ASSY

B  
REV

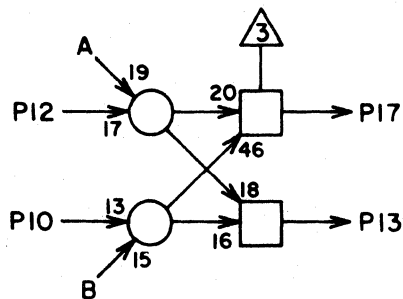
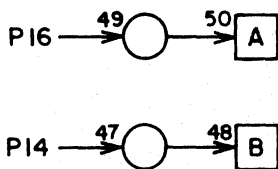
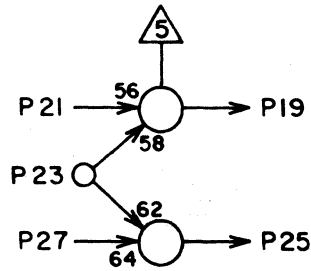
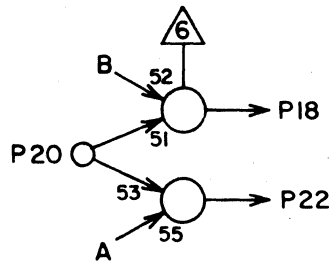
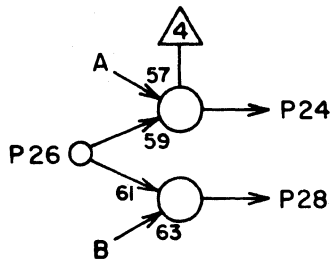
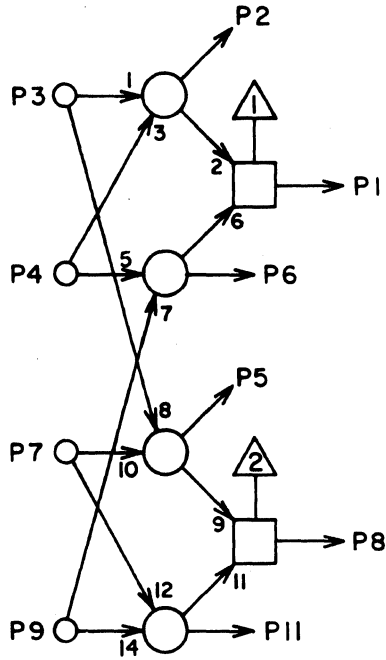
Z73



1			
2			
3			
4			
5			
6			
7			
8			
9			
10			
11			
12			
13			
14			
15			
16			
17			
18			
19			
20			
21			
22			
23			
24			
25			
26			
27			
28			

JACK PIN LG

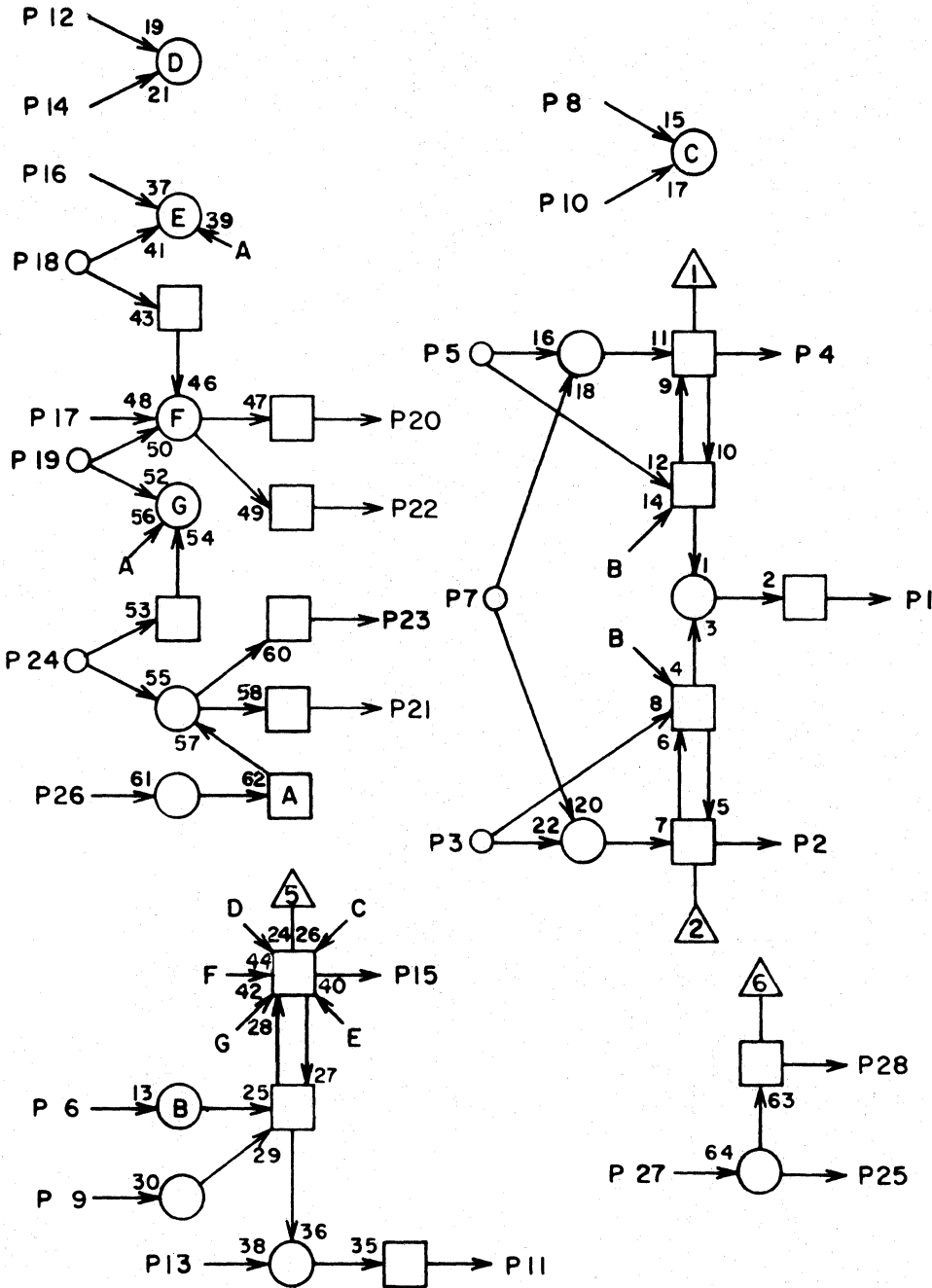
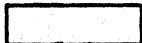
SEE CIRCUIT SPECIFICATION  
11827600 60042700 Rev AB



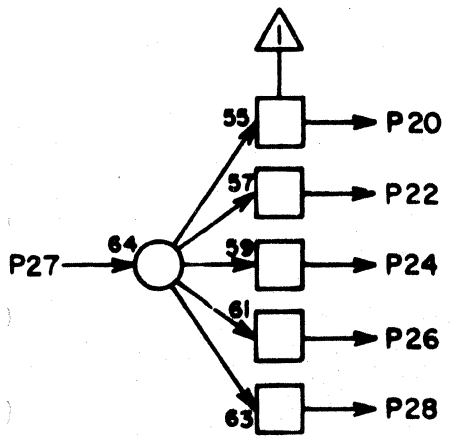
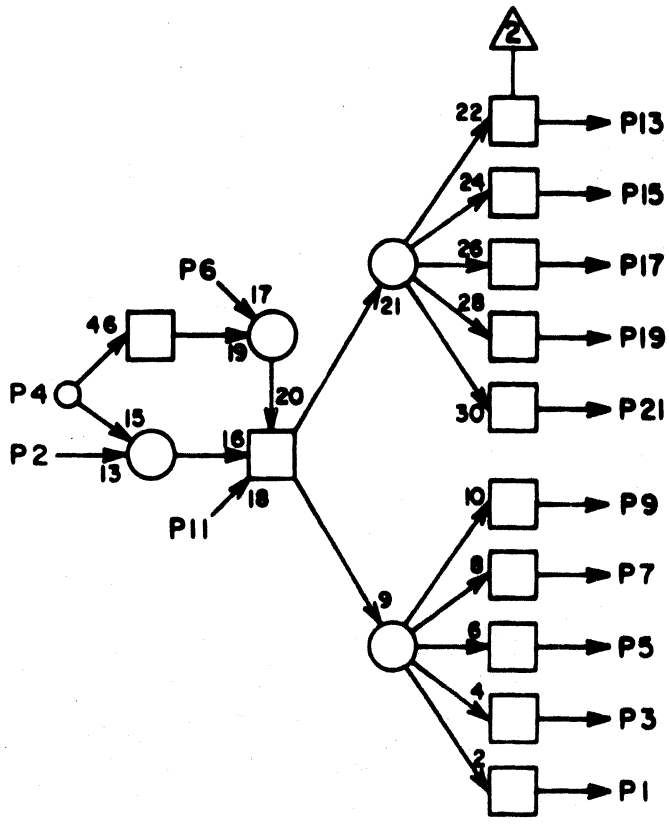
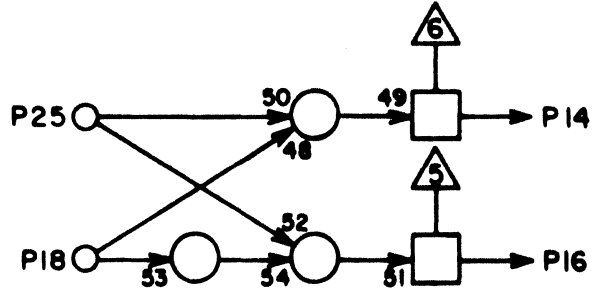
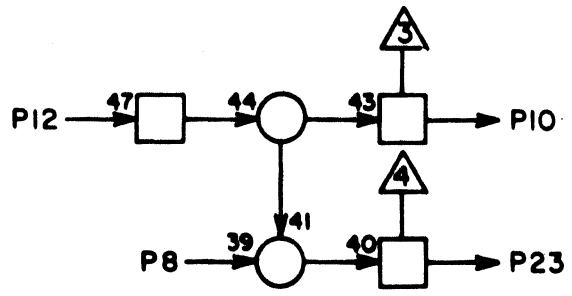
1			
2			
3			
4			
5			
6			
7			
8			
9			
10			
11			
12			
13			
14			
15			
16			
17			
18			
19			
20			
21			
22			
23			
24			
25			
26			
27			
28			

JACK PIN LG

60042700 Rev AB  
SEE CIRCUIT SPECIFICATION  
11827600



1			
2			
3			
4			
5			
6			
7			
8			
9			
10			
11			
12			
13			
14			
15			
16			
17			
18			
19			
20			
21			
22			
23			
24			
25			
26			
27			
28			

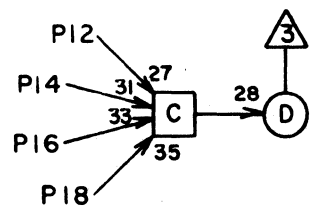
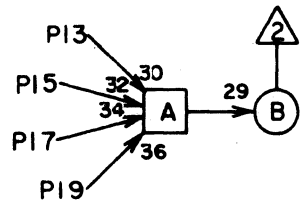
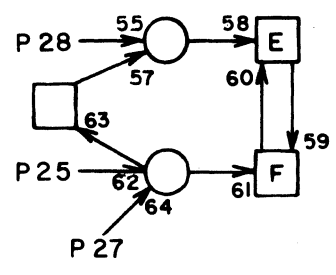
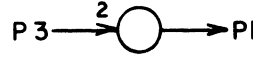
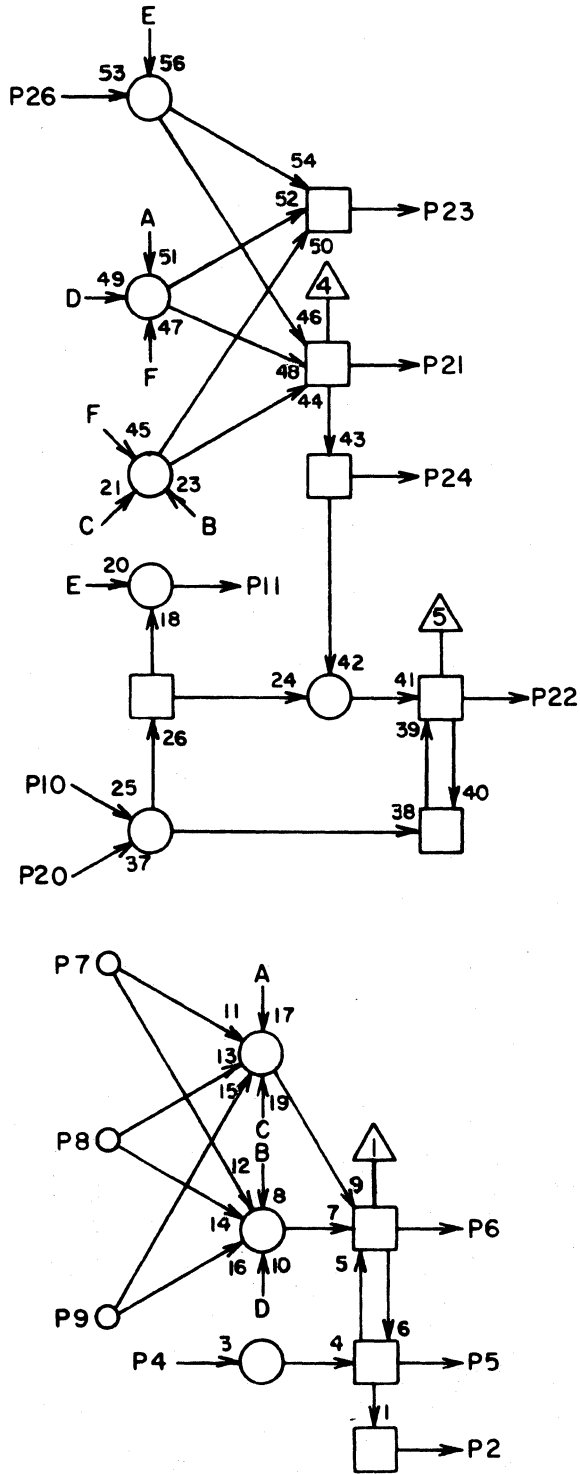


1			
2			
3			
4			
5			
6			
7			
8			
9			
10			
11			
12			
13			
14			
15			
16			
17			
18			
19			
20			
21			
22			
23			
24			
25			
26			
27			
28			

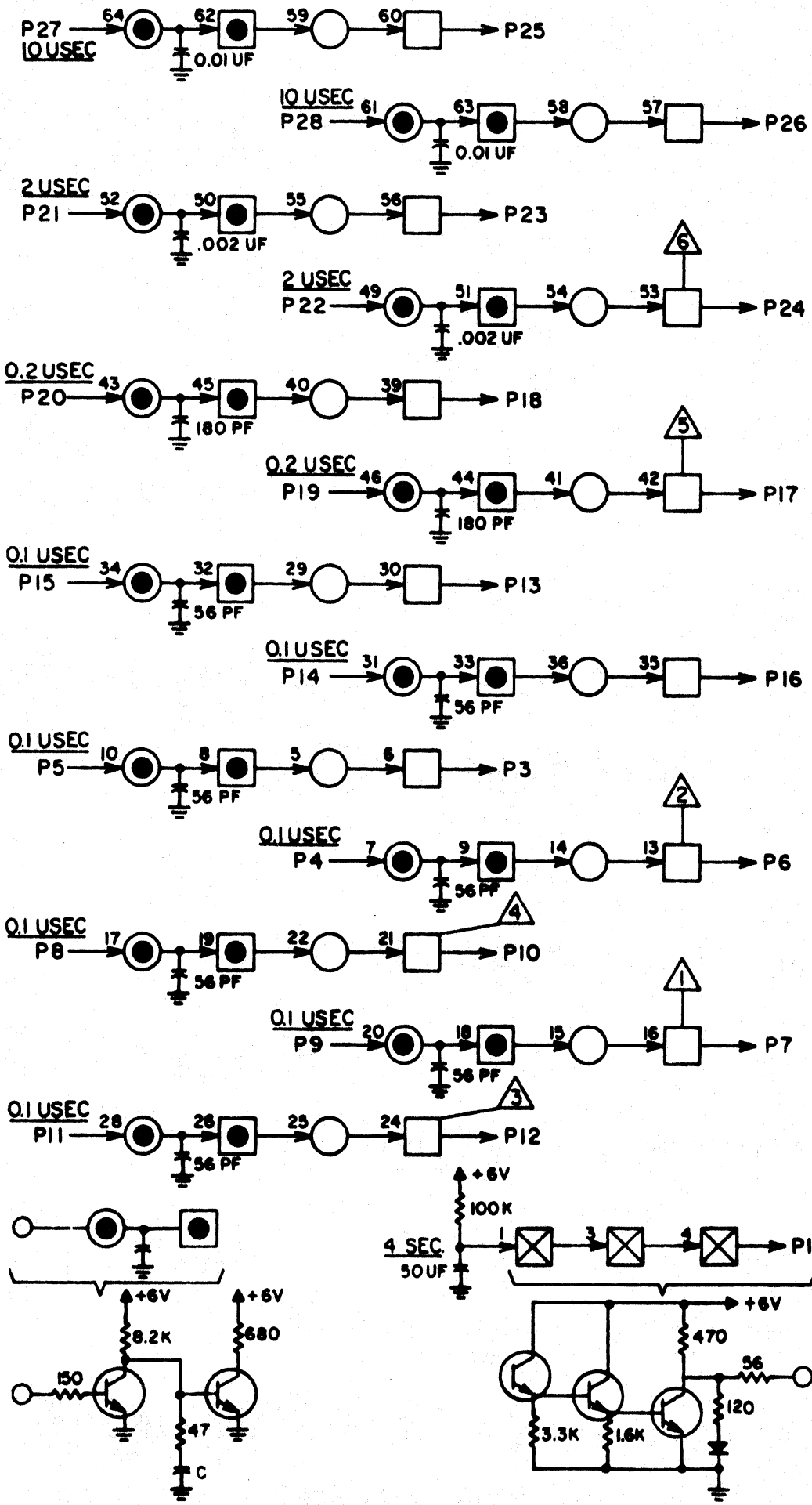
JACK PIN LG

SEE CIRCUIT SPECIFICATION 11827600





1			
2			
3			
4			
5			
6			
7			
8			
9			
10			
11			
12			
13			
14			
15			
16			
17			
18			
19			
20			
21			
22			
23			
24			
25			
26			
27			
28			

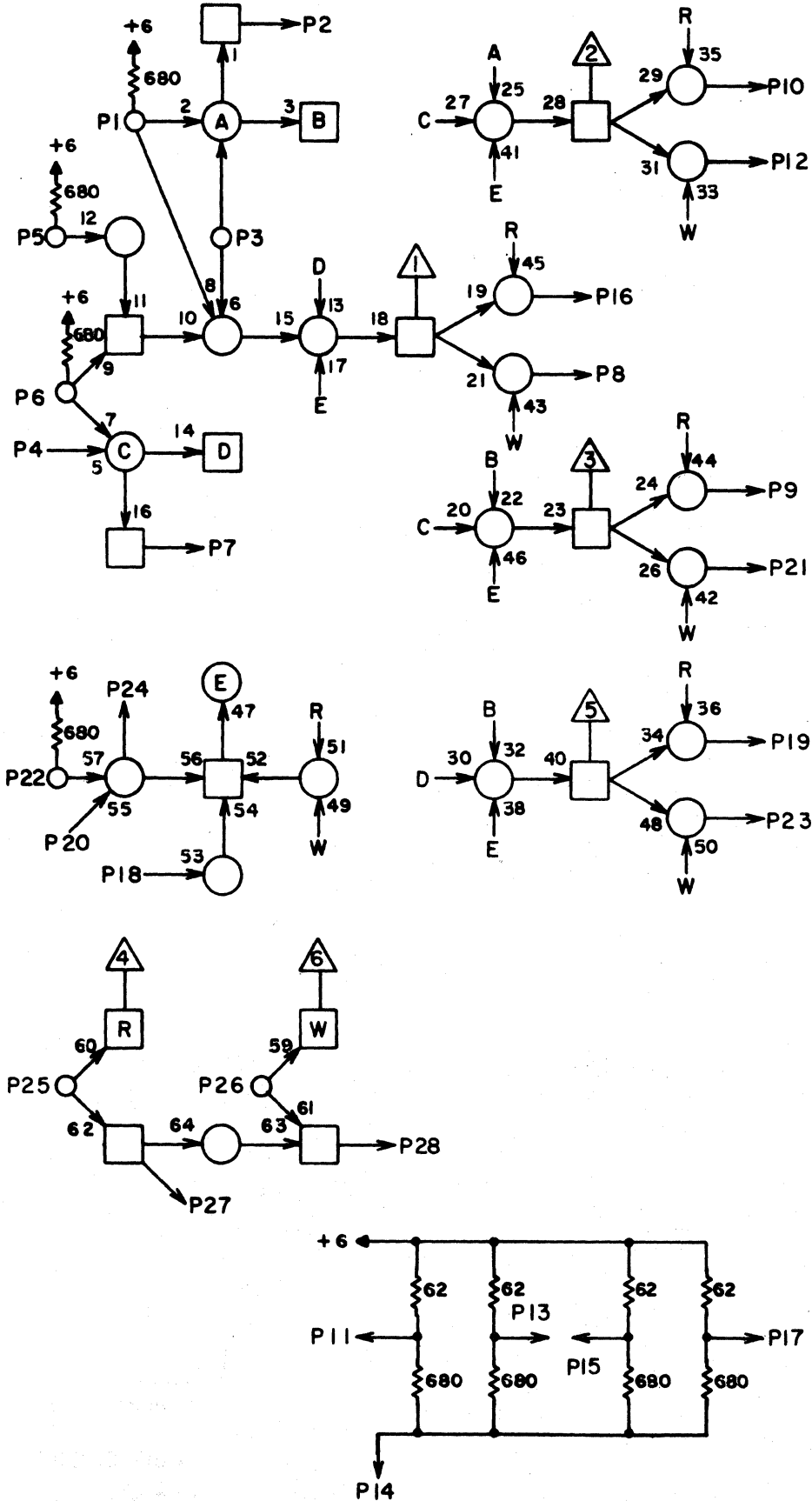


1			
2			
3			
4			
5			
6			
7			
8			
9			
10			
11			
12			
13			
14			
15			
16			
17			
18			
19			
20			
21			
22			
23			
24			
25			
26			
27			
28			

JACK PIN LG

SEE CIRCUIT SPECIFICATION  
 11827600  
 52000028  
 60042700 Rev. P

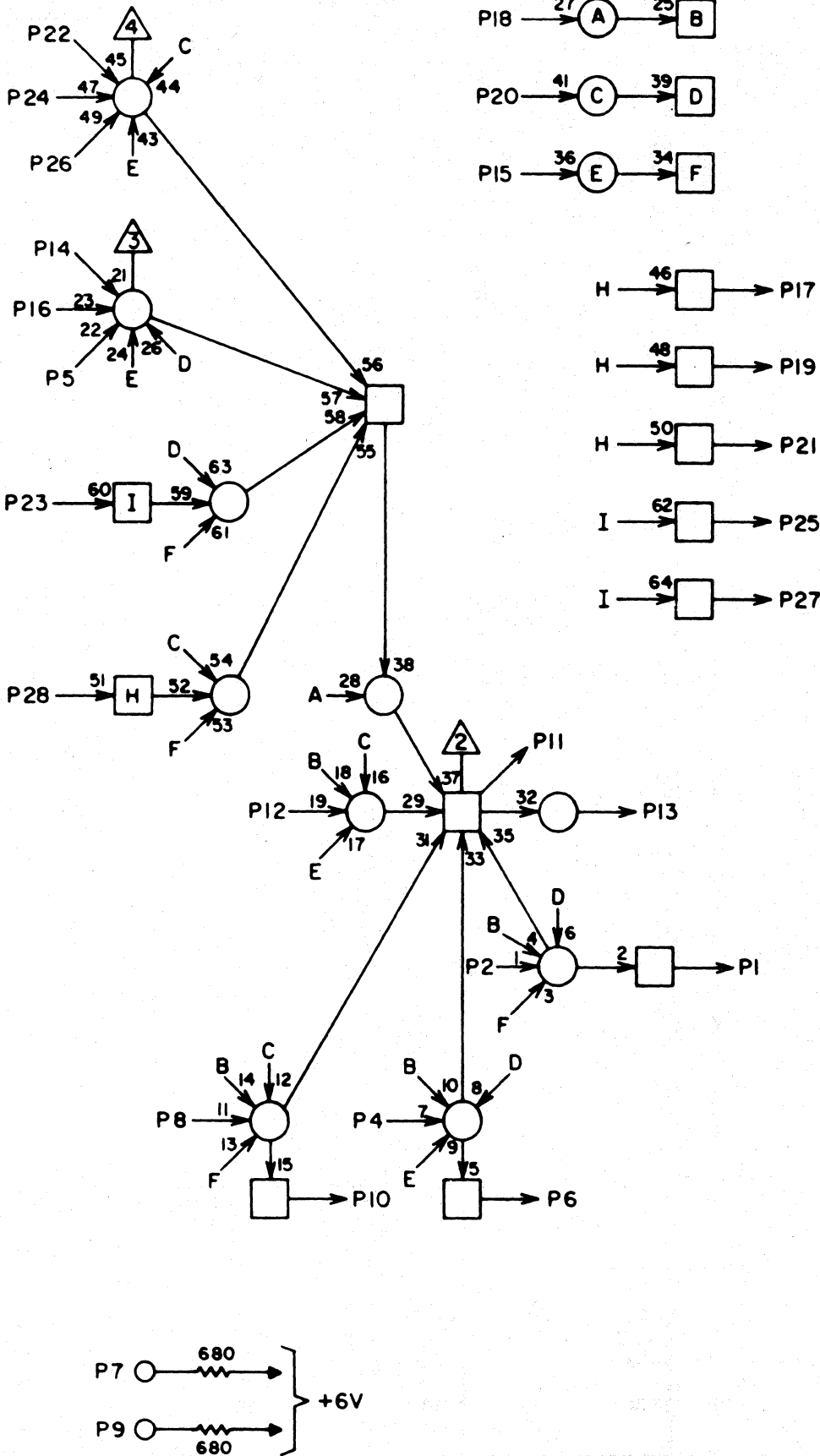




1			
2			
3			
4			
5			
6			
7			
8			
9			
10			
11			
12			
13			
14			
15			
16			
17			
18			
19			
20			
21			
22			
23			
24			
25			
26			
27			
28			

JACK PIN LG

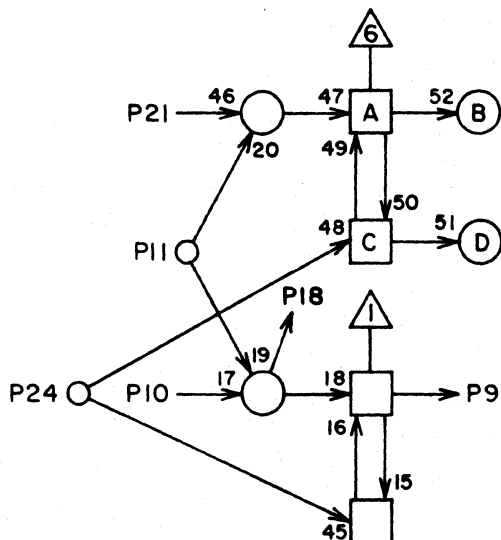
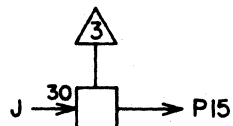
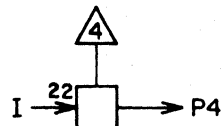
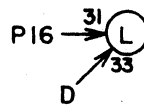
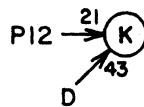
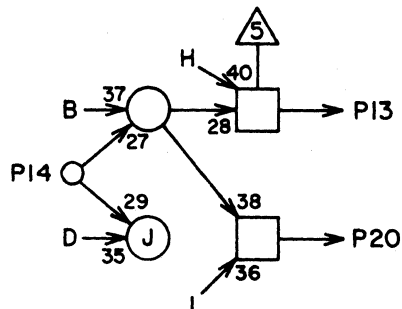
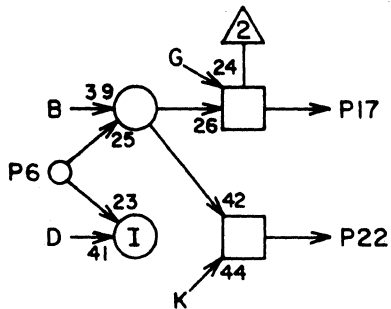
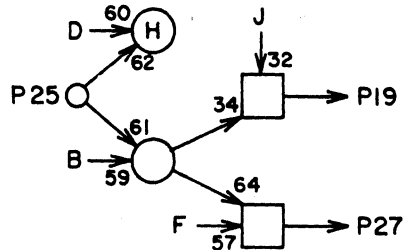
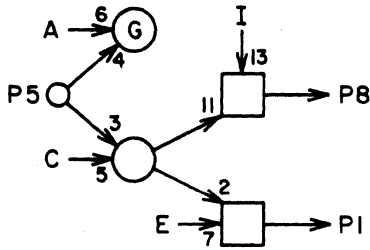
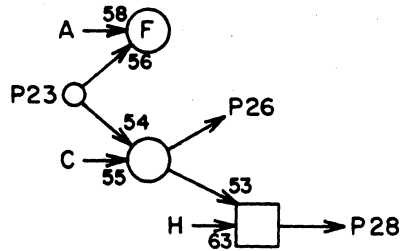
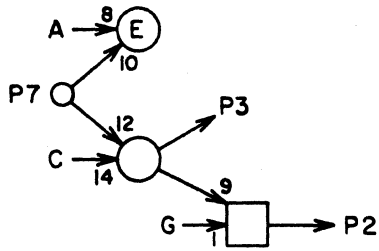
SEE CIRCUIT SPECIFICATION  
11827600  
52000029



1			
2			
3			
4			
5			
6			
7			
8			
9			
10			
11			
12			
13			
14			
15			
16			
17			
18			
19			
20			
21			
22			
23			
24			
25			
26			
27			
28			

JACK PIN LG

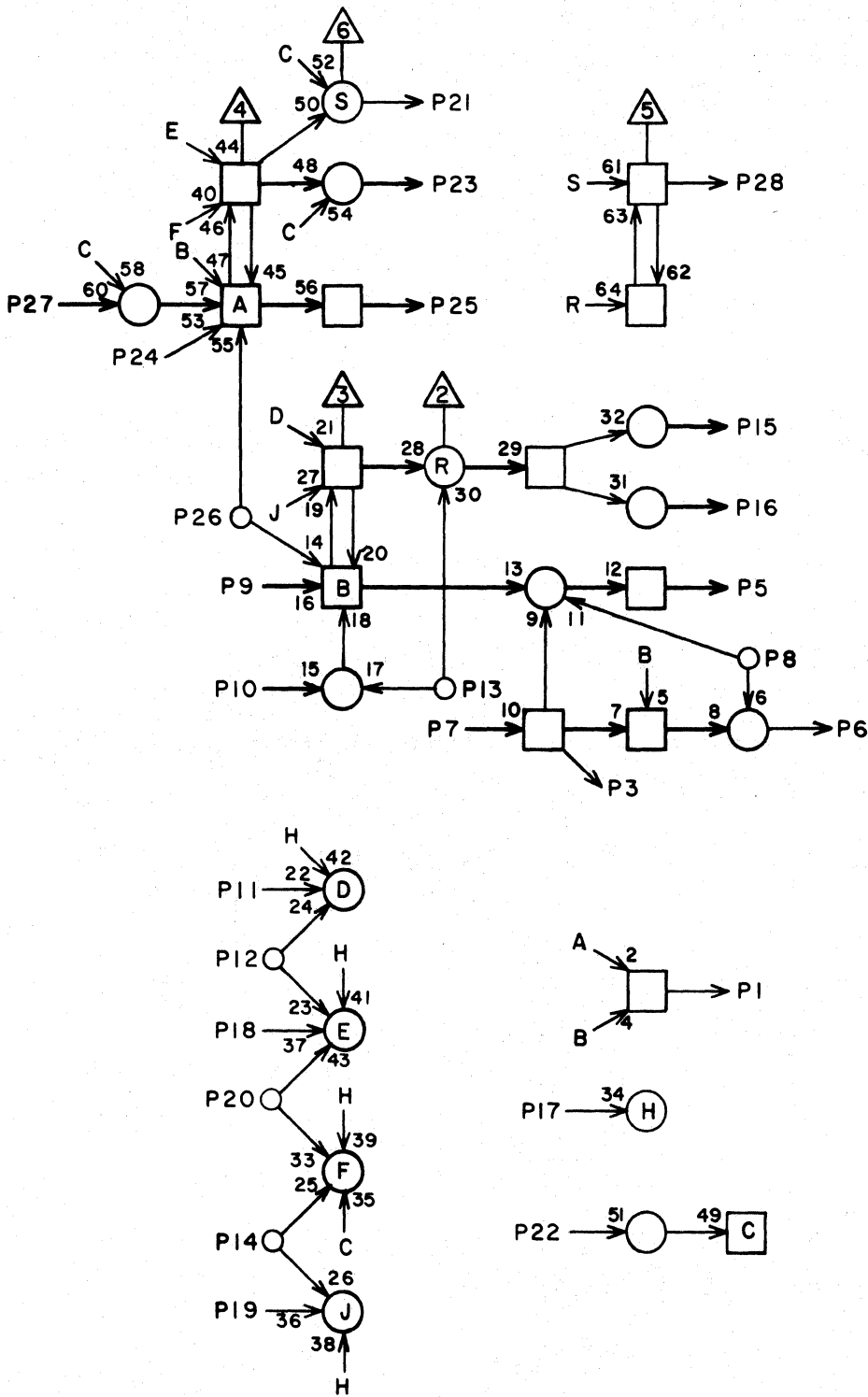
SEE CIRCUIT SPECIFICATION  
 11827600  
 60042700 Rev. P



1			
2			
3			
4			
5			
6			
7			
8			
9			
10			
11			
12			
13			
14			
15			
16			
17			
18			
19			
20			
21			
22			
23			
24			
25			
26			
27			
28			

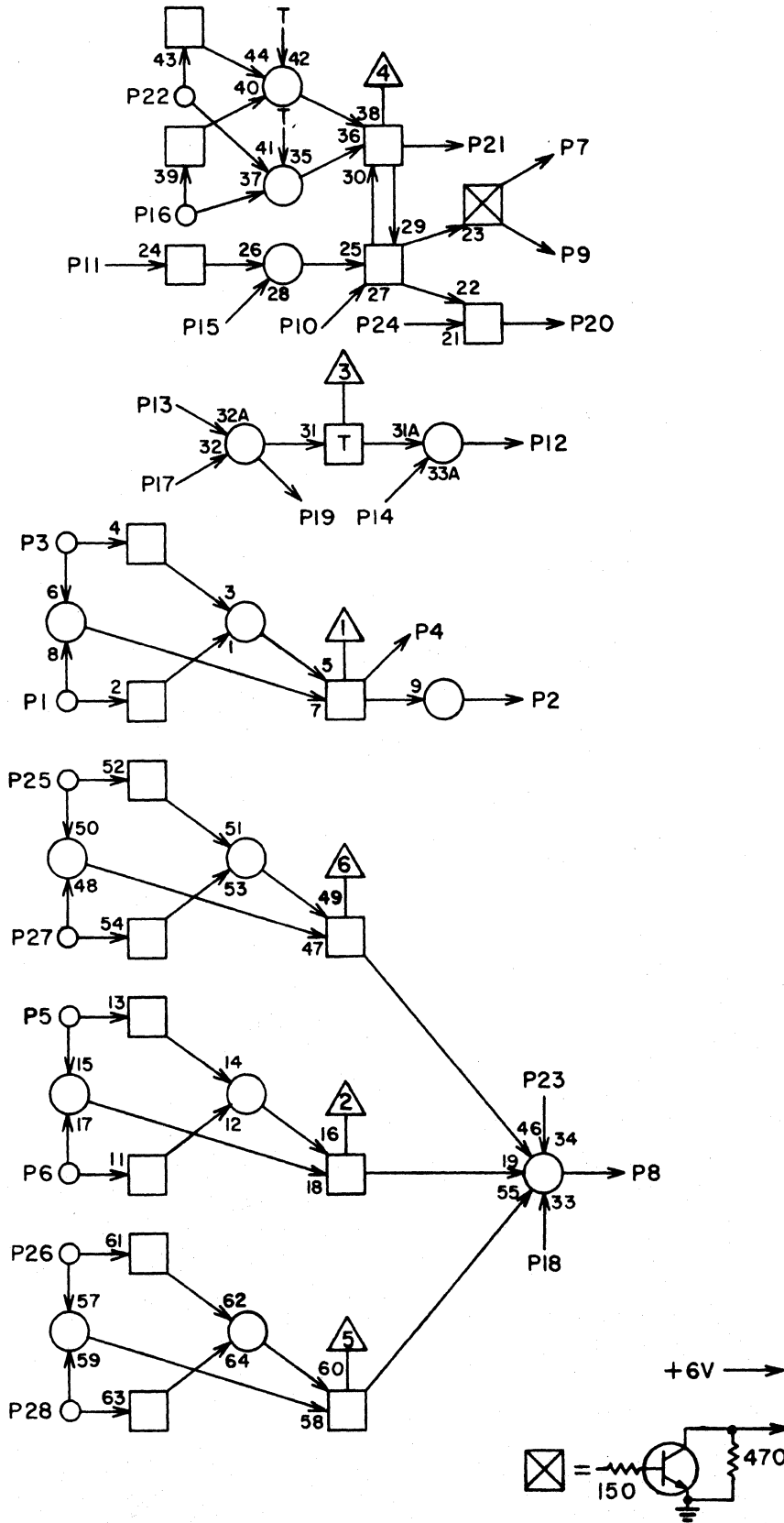
JACK PIN LG

SEE CIRCUIT  
SPECIFICATION 11827600  
60042700 Rev. R



1			
2			
3			
4			
5			
6			
7			
8			
9			
10			
11			
12			
13			
14			
15			
16			
17			
18			
19			
20			
21			
22			
23			
24			
25			
26			
27			
28			

JACK PIN LG  
 SEE CIRCUIT SPECIFICATION  
 11827600  
 60042700 Rev. R

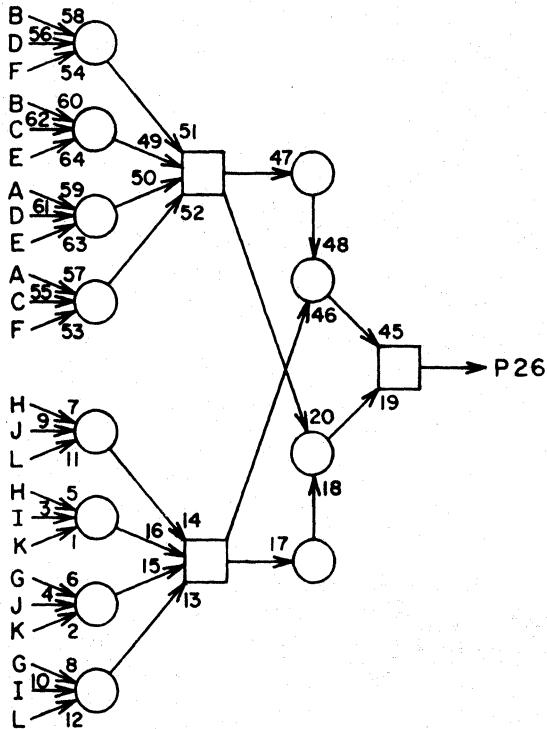
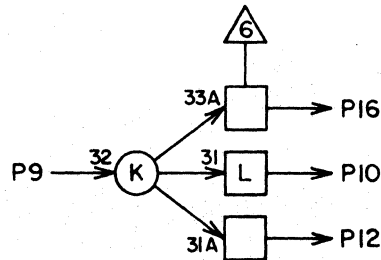
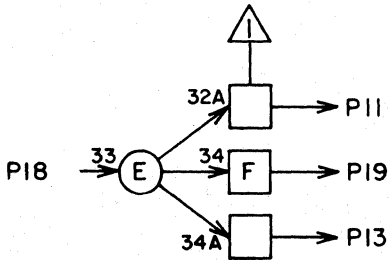
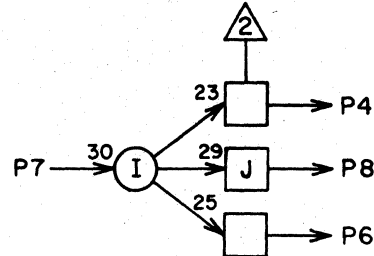
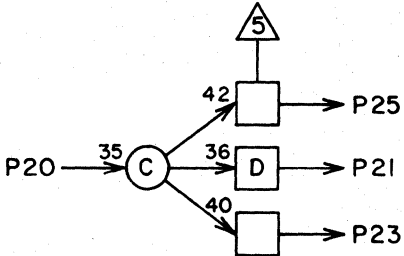
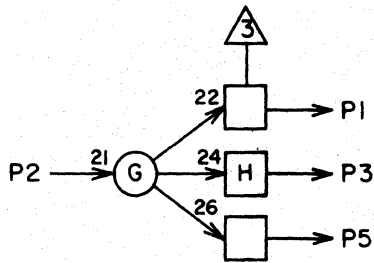
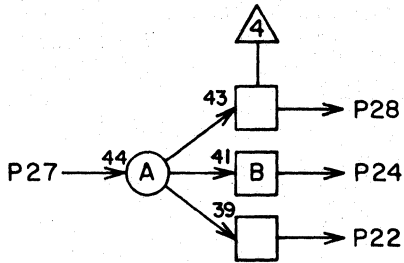


1			
2			
3			
4			
5			
6			
7			
8			
9			
10			
11			
12			
13			
14			
15			
16			
17			
18			
19			
20			
21			
22			
23			
24			
25			
26			
27			
28			

JACK PIN LG  
SEE CIRCUIT SPECIFICATION  
11827600

52000023

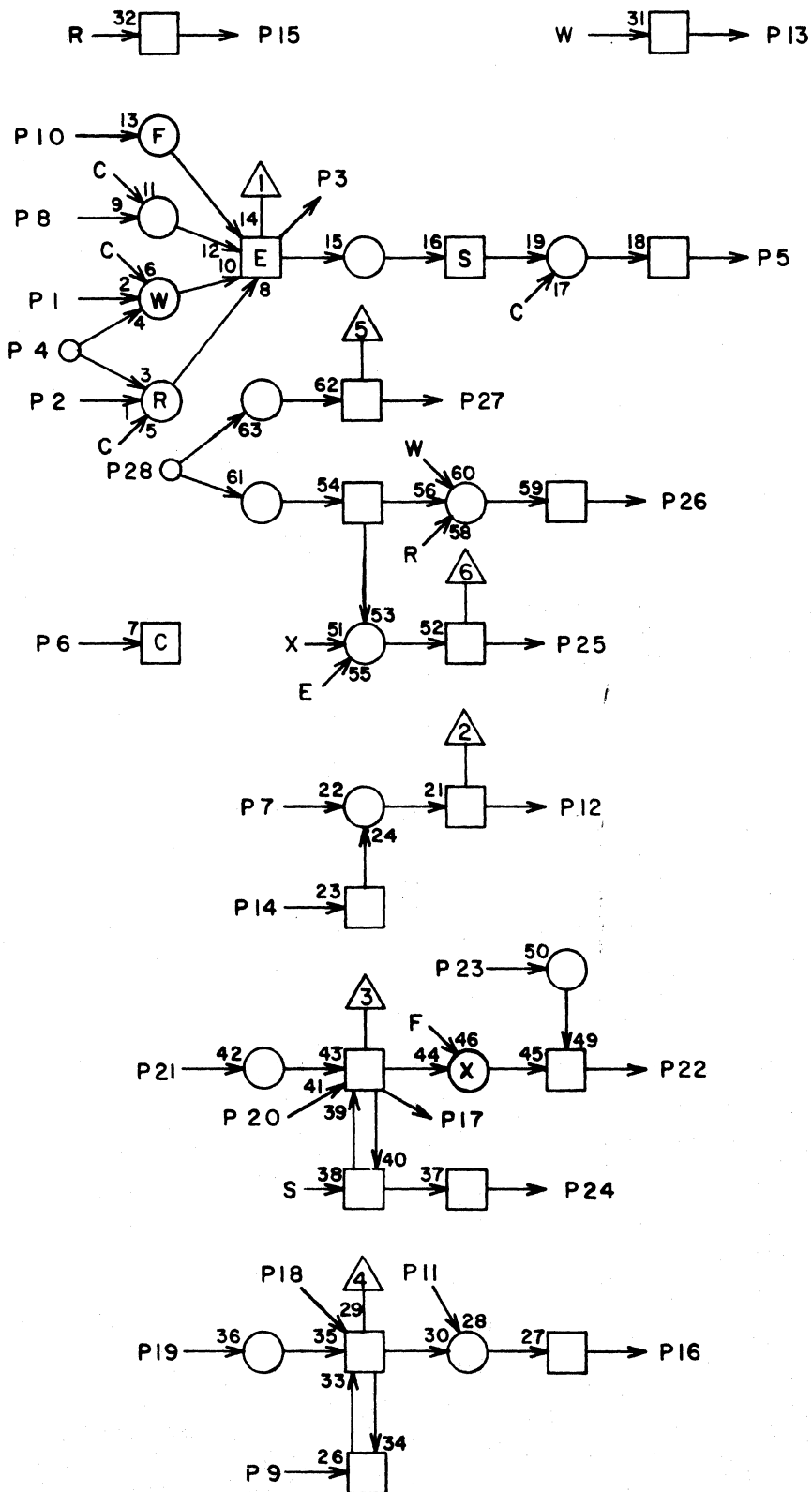
60042700 Rev. R



1			
2			
3			
4			
5			
6			
7			
8			
9			
10			
11			
12			
13			
14			
15			
16			
17			
18			
19			
20			
21			
22			
23			
24			
25			
26			
27			
28			

JACK PIN LG

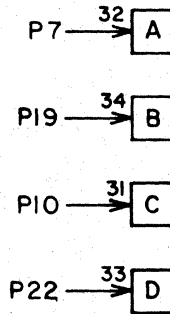
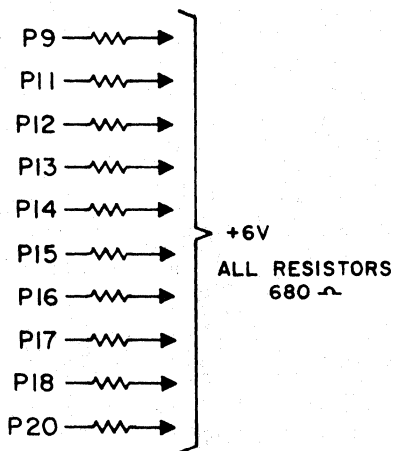
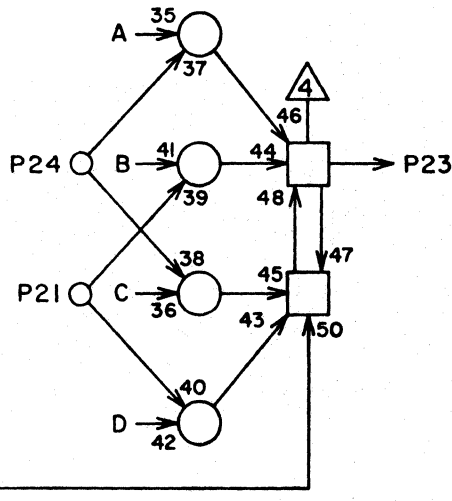
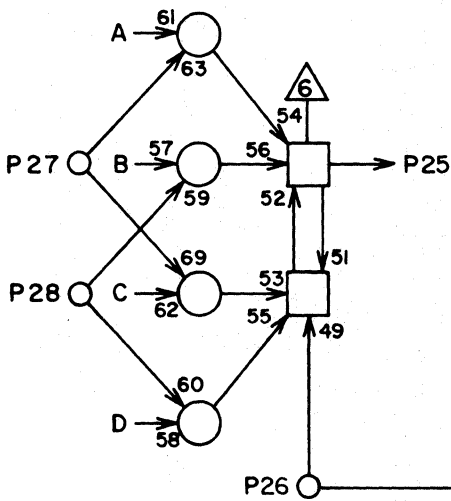
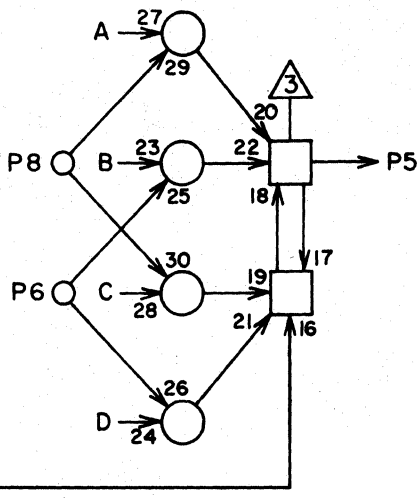
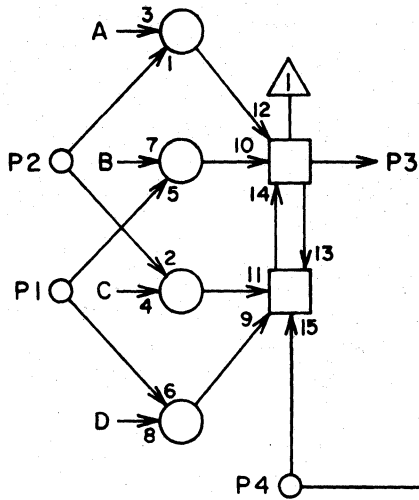
SEE CIRCUIT  
 SPECIFICATION 11827600  
 60042700 Rev. R



1			
2			
3			
4			
5			
6			
7			
8			
9			
10			
11			
12			
13			
14			
15			
16			
17			
18			
19			
20			
21			
22			
23			
24			
25			
26			
27			
28			

JACK PIN LG

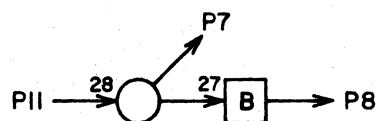
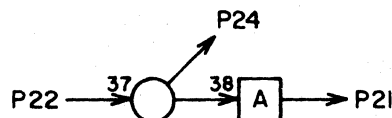
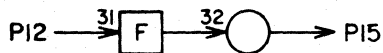
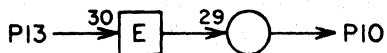
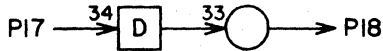
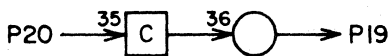
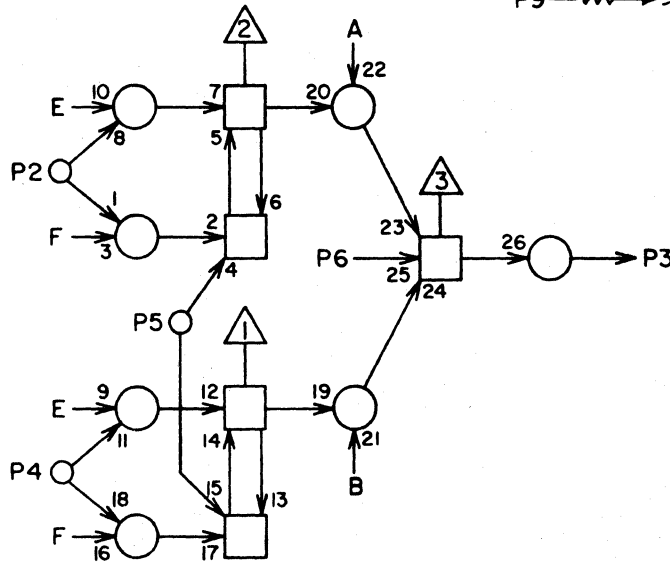
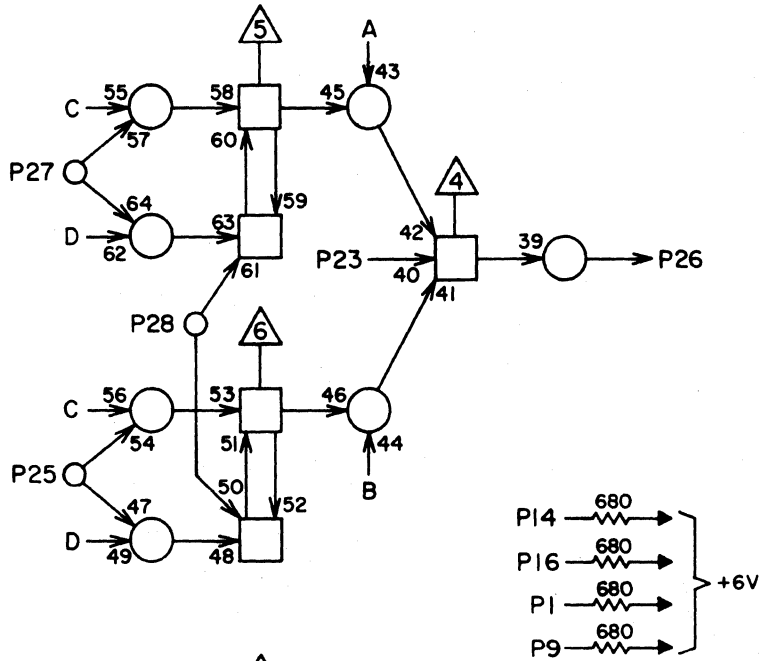
SEE CIRCUIT  
SPECIFICATON 11827600  
60042700 Rev. R



1			
2			
3			
4			
5			
6			
7			
8			
9			
10			
11			
12			
13			
14			
15			
16			
17			
18			
19			
20			
21			
22			
23			
24			
25			
26			
27			
28			

JACK PIN LG  
 SEE CIRCUIT  
 SPECIFICATION 11827600  
 60042700 Rev. R

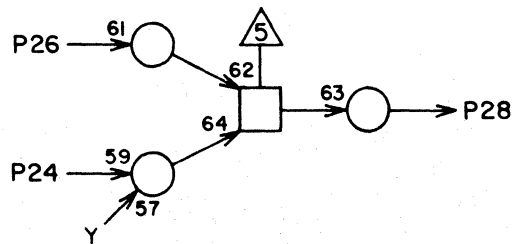
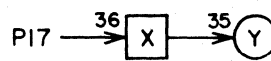
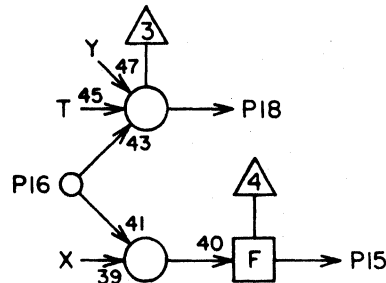
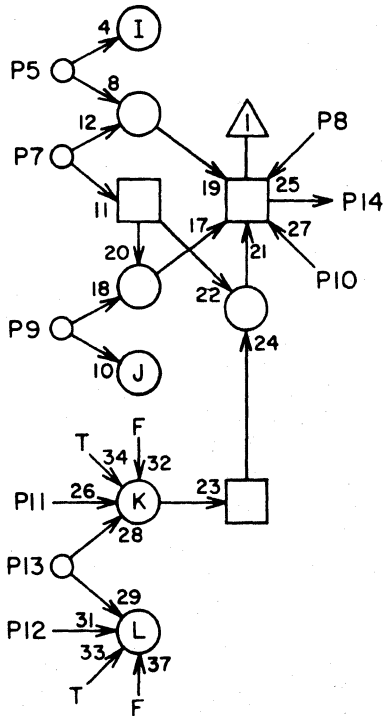
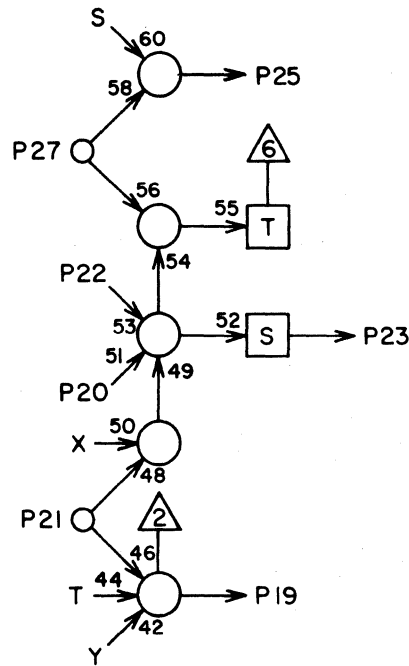
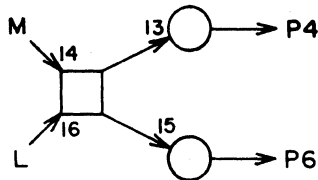
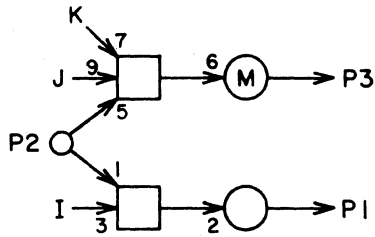




1			
2			
3			
4			
5			
6			
7			
8			
9			
10			
11			
12			
13			
14			
15			
16			
17			
18			
19			
20			
21			
22			
23			
24			
25			
26			
27			
28			

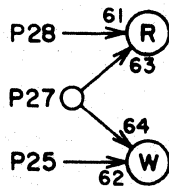
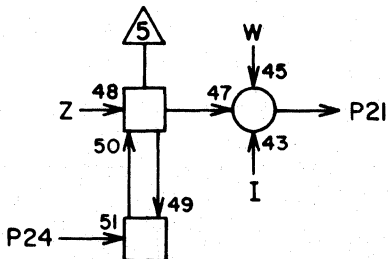
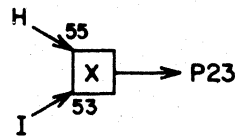
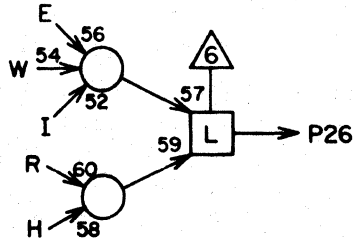
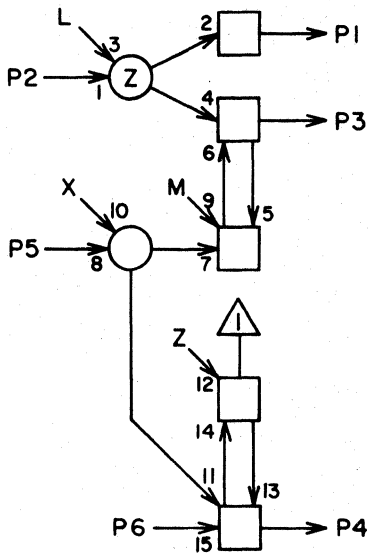
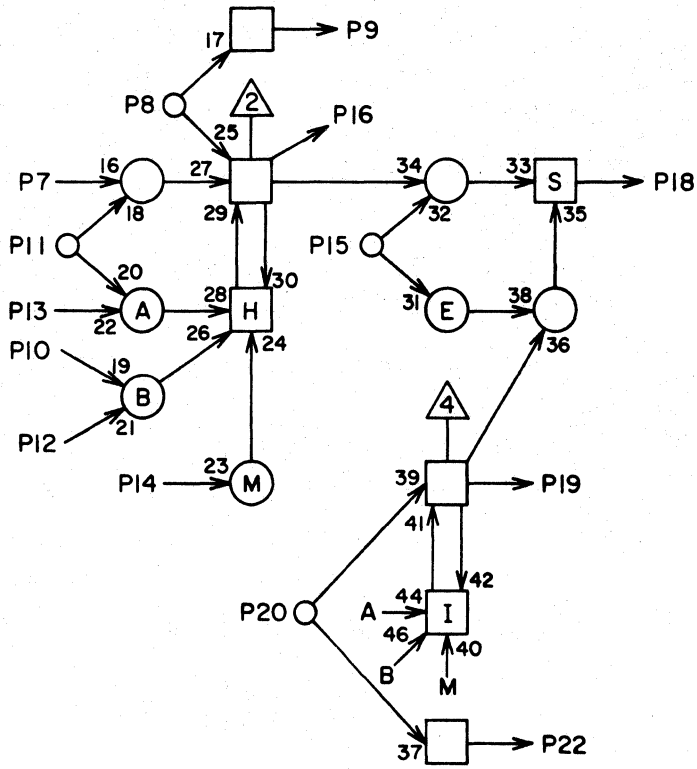
JACK PIN LG  
 SEE CIRCUIT SPECIFICATION  
 11827600  
 60042700 Rev. R





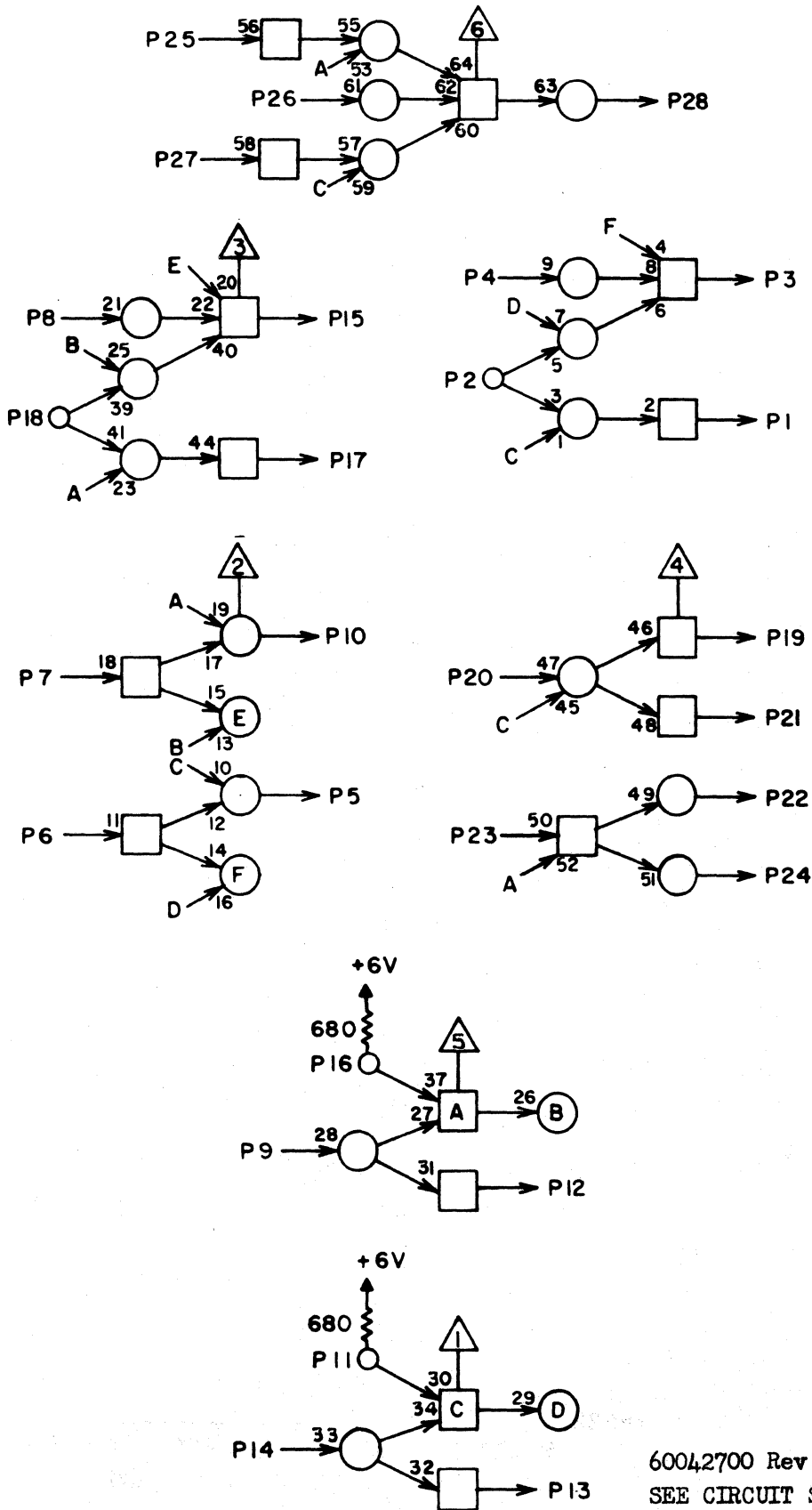
1			
2			
3			
4			
5			
6			
7			
8			
9			
10			
11			
12			
13			
14			
15			
16			
17			
18			
19			
20			
21			
22			
23			
24			
25			
26			
27			
28			

JACK PIN LG  
 SEE CIRCUIT SPECIFICATION  
 11827600



1			
2			
3			
4			
5			
6			
7			
8			
9			
10			
11			
12			
13			
14			
15			
16			
17			
18			
19			
20			
21			
22			
23			
24			
25			
26			
27			
28			

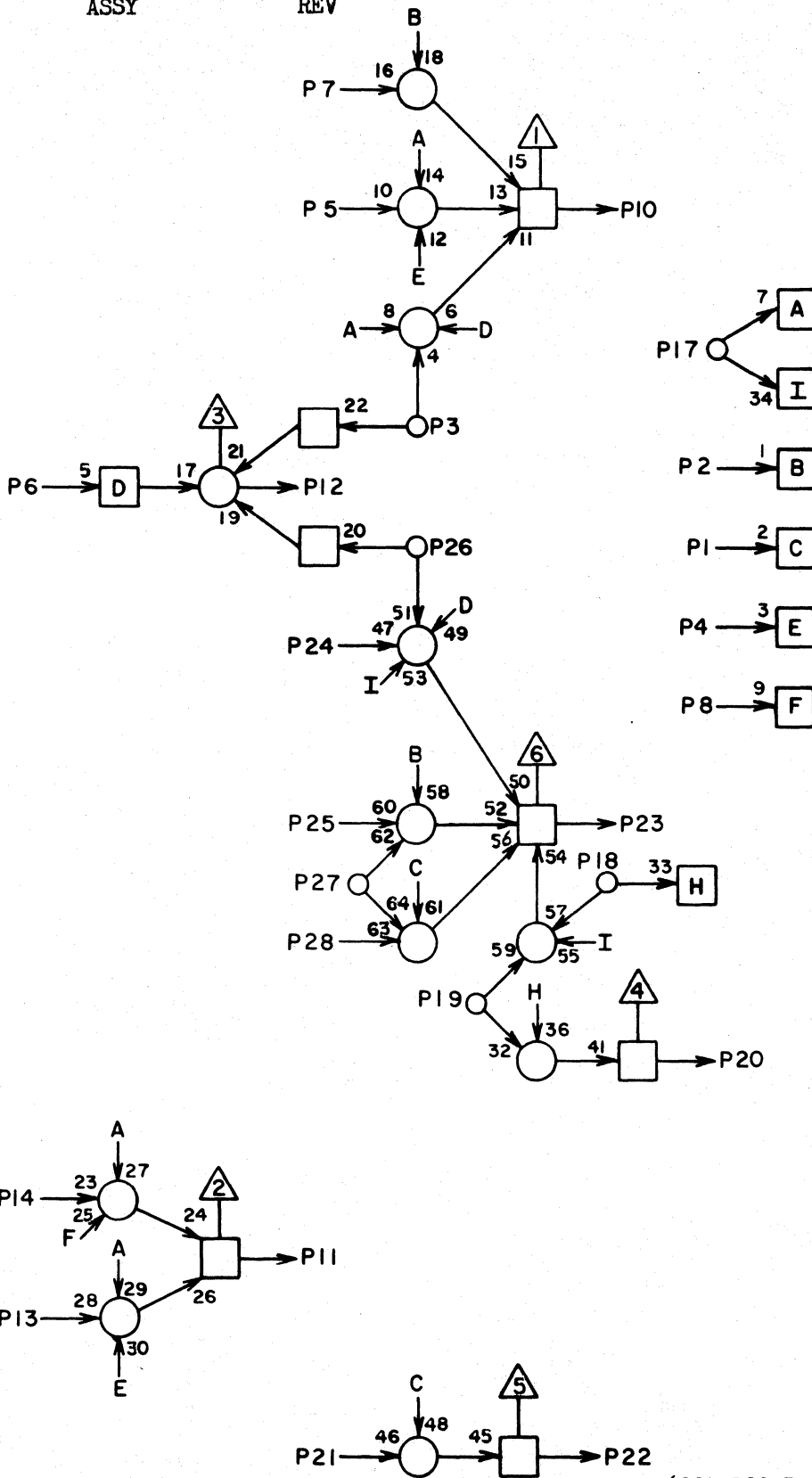
JACK PIN LG  
SEE CIRCUIT SPECIFICATION  
11827600  
60042700 Rev. R



1			
2			
3			
4			
5			
6			
7			
8			
9			
10			
11			
12			
13			
14			
15			
16			
17			
18			
19			
20			
21			
22			
23			
24			
25			
26			
27			
28			

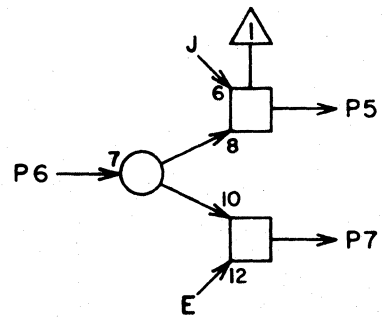
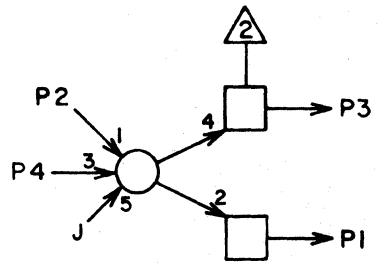
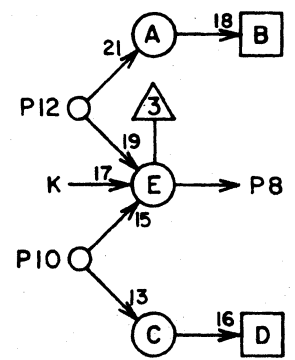
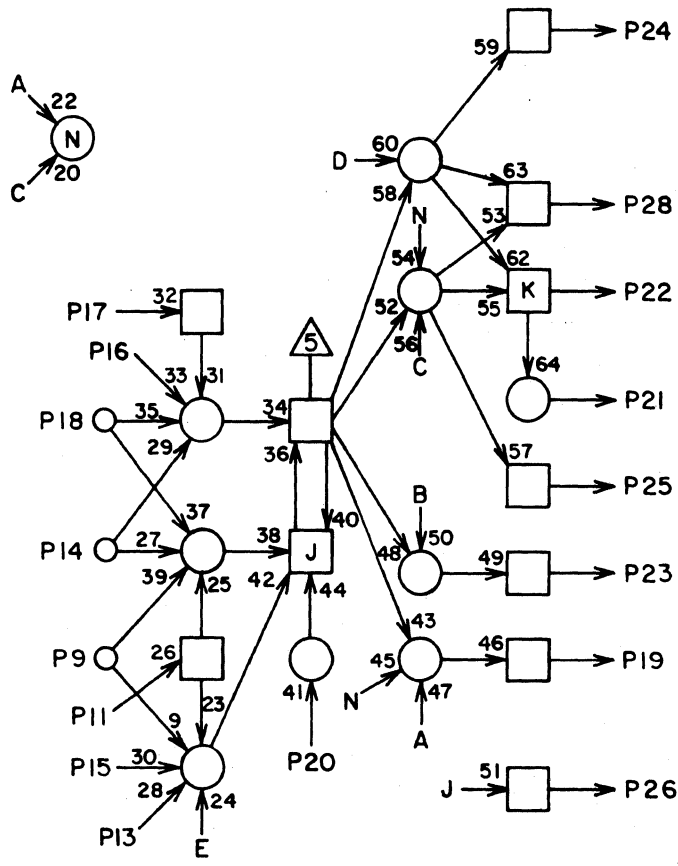
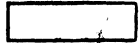
60042700 Rev AB  
SEE CIRCUIT SPECIFICATION 11827600  
52000031

JACK PIN LG



1			
2			
3			
4			
5			
6			
7			
8			
9			
10			
11			
12			
13			
14			
15			
16			
17			
18			
19			
20			
21			
22			
23			
24			
25			
26			
27			
28			

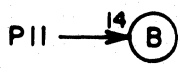
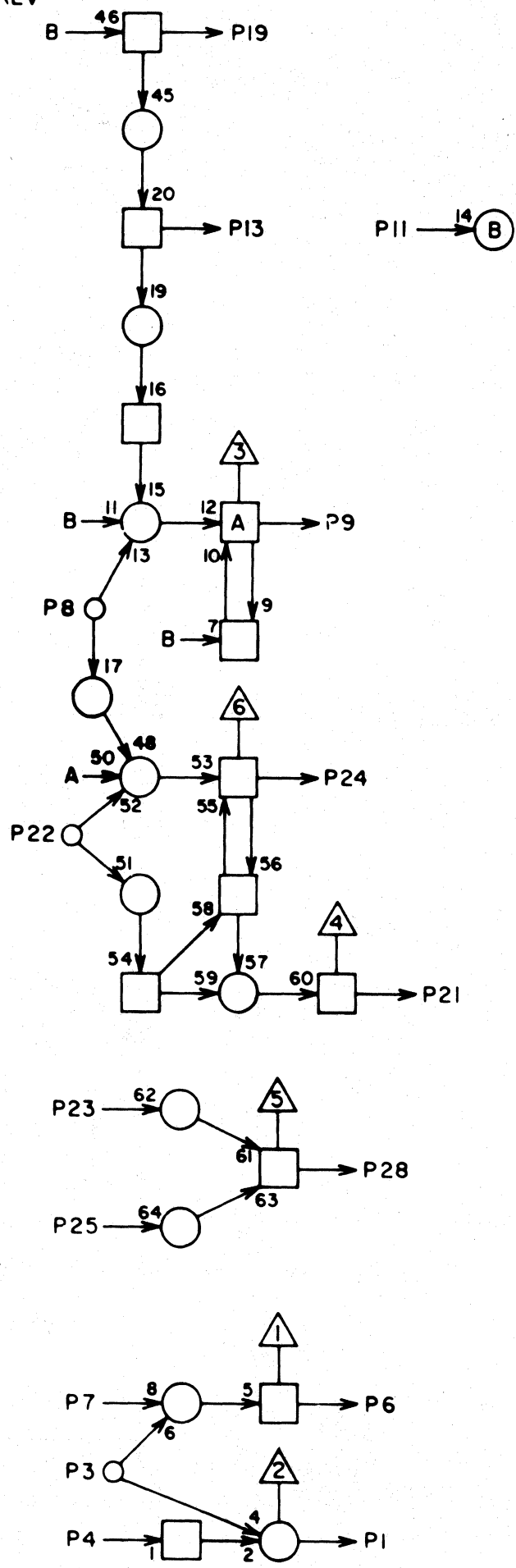
JACK PIN LG



1			
2			
3			
4			
5			
6			
7			
8			
9			
10			
11			
12			
13			
14			
15			
16			
17			
18			
19			
20			
21			
22			
23			
24			
25			
26			
27			
28			

JACK PIN LG

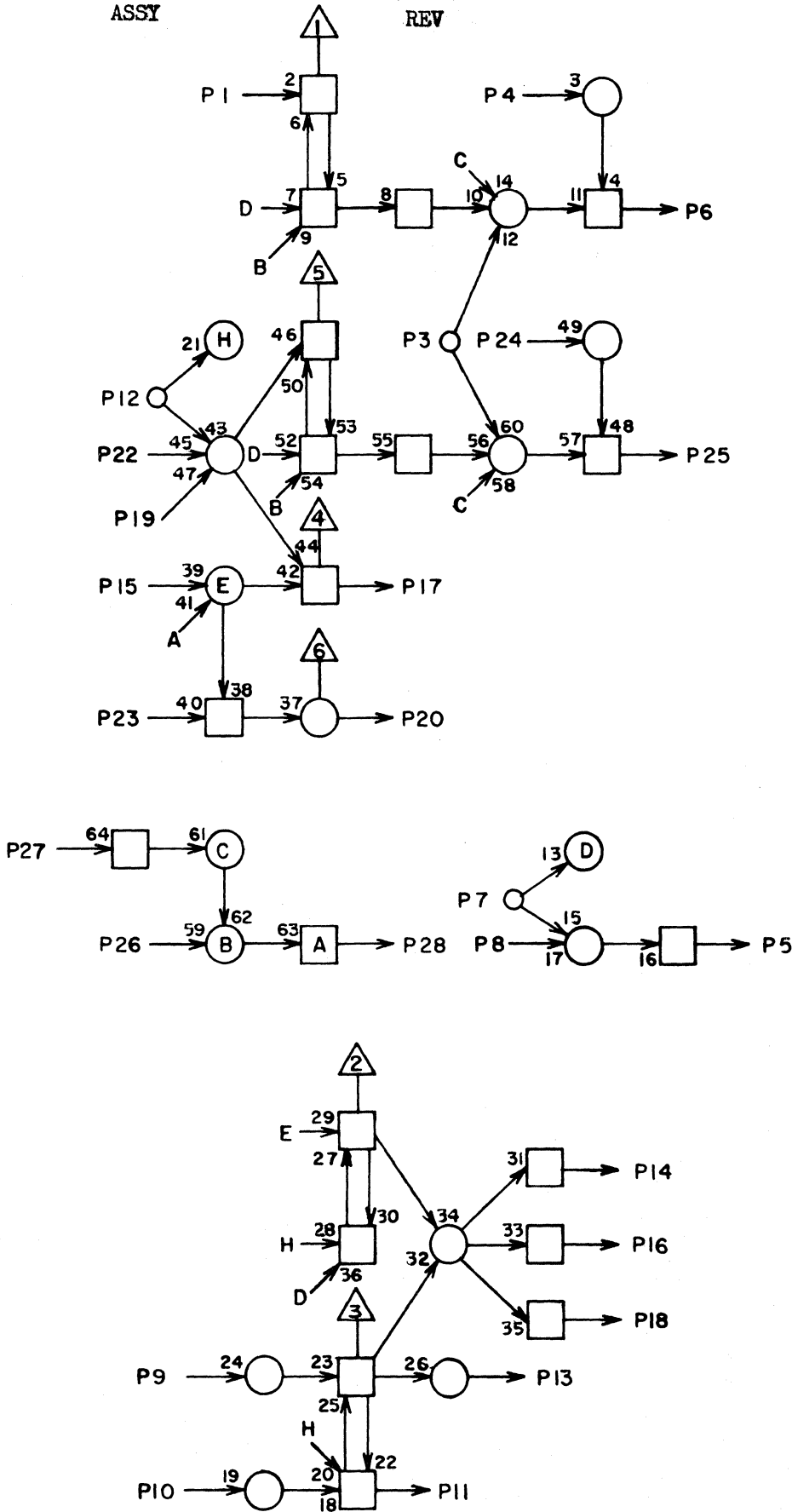
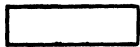
SEE CIRCUIT SPECIFICATION  
60042700 Rev. R



1			
2			
3			
4			
5			
6			
7			
8			
9			
10			
11			
12			
13			
14			
15			
16			
17			
18			
19			
20			
21			
22			
23			
24			
25			
26			
27			
28			

JACK PIN LG  
SEE CIRCUIT  
SPECIFICATION 11827600





1			
2			
3			
4			
5			
6			
7			
8			
9			
10			
11			
12			
13			
14			
15			
16			
17			
18			
19			
20			
21			
22			
23			
24			
25			
26			
27			
28			

JACK PIN LG  
SEE CIRCUIT  
SPECIFICATION 11827600

60042700 Rev AB







**COMMENT SHEET**

MANUAL TITLE CDC Cordwood Modules Volume 3

Printed Circuit Manual

PUBLICATION NO. 60042700 REVISION BB

**FROM:** NAME: \_\_\_\_\_

BUSINESS  
ADDRESS: \_\_\_\_\_

CUT ALONG LINE

PRINTED IN U.S.A.

AA3419 REV. 7/75

**NO POSTAGE STAMP NECESSARY IF MAILED IN U. S. A.**

FOLD ON DOTTED LINES AND STAPLE

STAPLE

STAPLE

FOLD

FOLD

FIRST CLASS  
PERMIT NO. 8241  
MINNEAPOLIS, MINN.

**BUSINESS REPLY MAIL**  
NO POSTAGE STAMP NECESSARY IF MAILED IN U.S.A.



CUT ALONG LINE

POSTAGE WILL BE PAID BY  
**CONTROL DATA CORPORATION**  
Publications and Graphics Division  
ARH219  
4201 North Lexington Avenue  
Saint Paul, Minnesota 55112

FOLD

FOLD