

- NOTES: (UNLESS OTHERWISE SPECIFIED)
1. ASSEMBLE PER 5970H27 . EXCEPT PARAGRAPH 3.6.3 .
 2. MAXIMUM COMPONENT HEIGHT .38.
EXCEPT L2, J12, Q2, Q3 & SOCKET (ITEM 32) .40
 3. MARK ASSEMBLY NO. IN APPROXIMATE LOCATION SHOWN ON BACK (SOLDER) SIDE PER 12A1099PI.
 4. FOR SCHEMATIC DIAGRAM, SEE ITEM I.
 5. COMPONENT MARKING WITHOUT ALPHA PREFIX ARE DIODES.
 6. SOLID BAND ON DIODES AND VOLTAGE REGULATORS INDICATE CATHODE END.
 7. GENERAL WORKMANSHIP PER 10I20300.
 8. CLIP PIN 01 OF U5 AND U6 FLUSH TO IC PRIOR TO INSTALLATION.
 9. U36 (ITEM 23) AND U40 (ITEM 19) TO BE INSTALLED AT PWA TEST.
 10. DRILL HOLE, PUSH LEAD OF C50 NORTH THRU TO BACK; SOLDER TO U44-14. SLEEVE LEAD OF C50-S. SOLDER TO GND BUSS.
- SW1 (ITEM 50) SHOULD BE INSTALLED WITH ALL SWITCH POSITIONS OPEN (OFF).

MATERIAL	UNLESS OTHERWISE SPECIFIED DIMENSIONS ARE IN INCHES.	TOLERANCES	3-PLACE 2-PLACE ANGLES	± .000 ± .001 ± .002	DO NOT SCALE DRAWING	MAGNETIC PERIPHERALS INC. DIV. OF SUBSIDIARY OF CENTRAL DATA CORPORATION OKLAHOMA CITY, OKLAHOMA	WREN II	OWN: SUSIE EVANS CHK'D: COLEMAN MOR: MORRIS MFG	DATE: 08-15-84 08-15-84 08-15-84	TITLE: PWA ESD1 SERVO	SIZE: D	DRAWING NUMBER: 77739750	CD: 60	REV: 08
SCALE: 2/1											SHEET: 1 of 3F			
DISTR: R23-RY5											1			

RES	PL ITEM
R1	162
R2	181
R3	181
R4	181
R5	167
R6	168
R7	167
R8	182
R9	165
R10	186
R11	187
R12	186
R13	114
R14	115
R15	151
R16	151
R17	109
R18	109
R19	172
R20	138
R21	136
R22	122
R23	139
R24	142
R25	140
R26	140
R27	110
R28	149
R29	140
R30	166
R31	166
R32	166
R33	102
R34	97
R35	144
R36	140
R37	172
R38	145
R39	165
R40	189
R41	185
R42	189
R43	189
R44	141
R45	111
R46	178
R47	154
R48	143
R49	114
R50	114
R51	179
R52	180
R53	105
R54	153
R55	128

RES	PL ITEM
R56	153
R57	172
R58	129
R59	129
R60	128
R61	108
R62	117
R63	163
R64	164
R65	120
R66	120
R67	165
R68	-
R69	137
R70	142
R71	124
R72	141
R73	131
R74	130
R75	127
R76	167
R77	172
R78	127
R79	127
R80	113
R81	140
R82	144
R83	167
R84	162
R85	181
R86	162
R87	116
R88	181
R89	181
R90	181
R91	164
R92	167
R93	159
R94	125
R95	162
R96	173
R97	150
R98	169
R99	163
R100	181
R101	169
R102	118
R103	180
R104	119
R105	148
R106	146
R107	121
R108	132
R109	170
R110	-

RES	PL ITEM
R111	107
R112	157
R113	152
R114	159
R115	152
R116	157
R117	181
R118	157
R119	101
R120	-
R121	127
R122	151
R123	135
R124	104
R125	118
R126	118
R127	137
R128	126
R129	159
R130	171
R131	147
R132	118
R133	134
R134	158
R135	163
R136	172
R137	100
R138	99
R139	181
R140	112
R141	118
R142	113
R143	123
R144	174
R145	187
R146	105
R147	106
R148	127
R149	158
R150	160
R151	160
R152	181
R153	159
R154	181
R155	156
R156	165
R157	181
R158	167
R159	172

CAP	PL ITEM
C1	86
C2	78
C3	77
C4	75
C5	87
C6	83
C7	83
C8	79
C9	82
C10	80
C11	94
C12	83
C13	83
C14	83
C15	83
C16	84
C17	81
C18	76
C19	85
C20	94
C21	89
C22	88
C23	93
C24	94
C25	91
C26	94
C27	93
C28	94
C29	94
C30	93
C31	70
C32	67
C33	74
C34	67
C35	71
C36	94
C37	94
C38	94
C39	72
C40	69
C41	69
C42	72
C43	-
C44	94
C45	94
C46	94
C47	94
C48	94
C49	94
C50	94

IC	PL ITEM
U1	15
U2	30
U3	37
U4	31
U5	11
U6	11
U7	20
U8	6
U9	38
U10	8
U11	28
U12	32
U13	5
U14	22
U15	18
U16	12
U17	40
U18	24
U19	21
U20	8
U21	8
U22	94
U23	35
U24	36
U25	-
U26	-
U27	37
U28	26
U29	16
U30	6
U31	10
U32	17
U33	17
U34	-
U35	14
U36	23
U37	33
U38	25
U39	6
U39	27
U40	19
U40	33
U41	9
U42	7
U43	13
U44	64

DIO	PL ITEM
CR1	46
CR2	-
CR3	45
CR4	45
CR5	45
CR6	48
CR7	48
CR8	45
CR9	49
CR10	44
CR11	45
CR12	45
CR13	45
CR14	47
CR15	45
CR16	45
CR17	45
CR18	45
CR19	47
CR20	45
CR21	45
CR22	45

TSTR	PL ITEM
01	-
02	43
03	42
04	41

JUMP	PL ITEM
HI	190

CONN	PL ITEM
J1	54
J2	53
J3	55
J4	-
J5	-
J6	59
J7	58
J8	60
J9	-
J10	62
J11	-
J12	52
J12	56

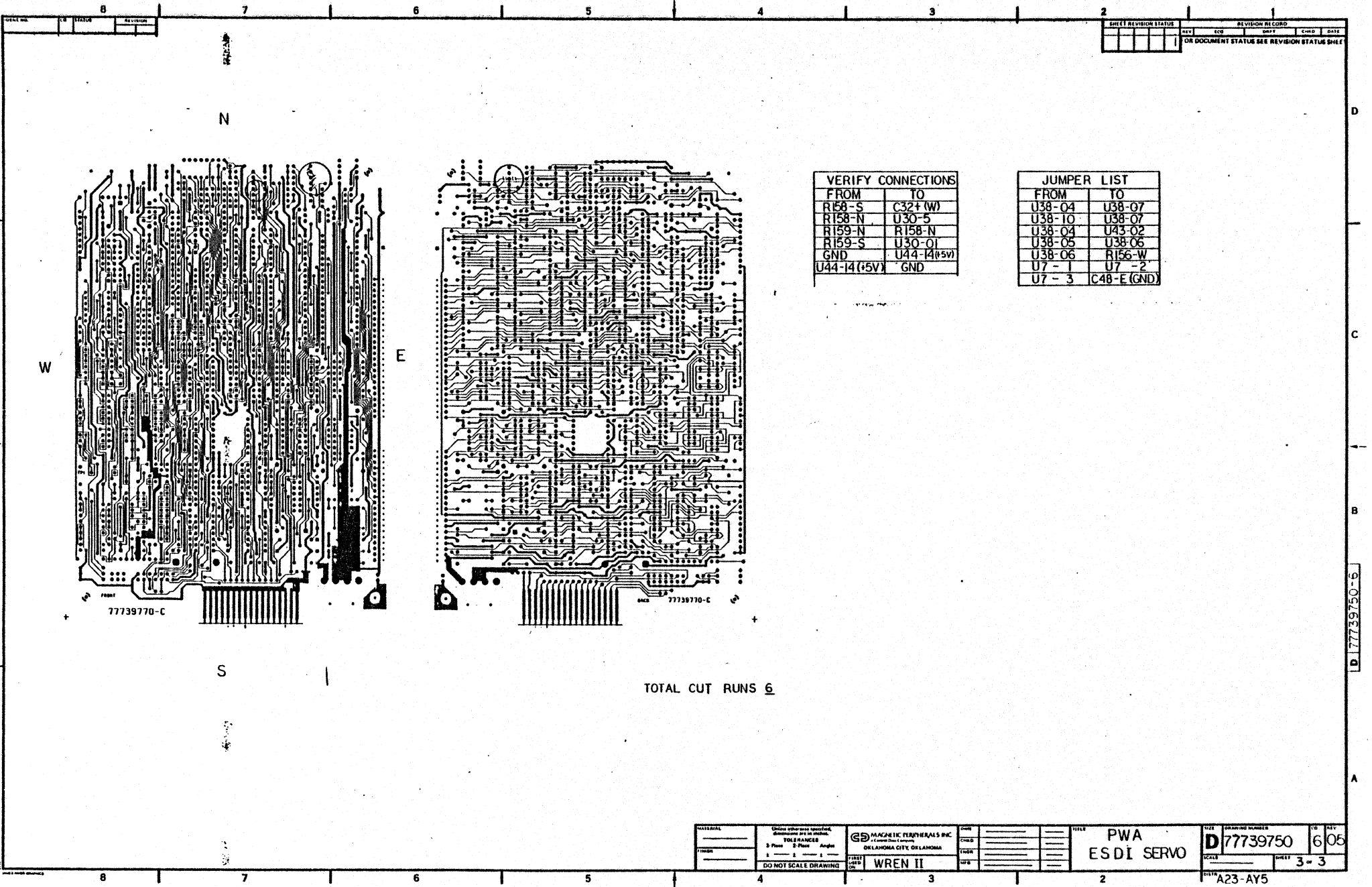
IND	PL ITEM
L1	65
L2	66

SWCH	PL ITEM
SW1	50

MAGNETIC PERIPHERALS INC. A DIVISION OF COWIUM DATA CORPORATION OKLAHOMA CITY, OKLAHOMA	DATE 06-15-84	TITLE PWA,ESDI SERVO	SIZE D	DRAWING NUMBER 77739750	CD 6	REV 10
	EXTENSION NAME NO. 77739750				SHEET 2	

DISTR A23-RYS 1

D:77739750-6



SHEET REVISION STATUS		REVISION RECORD			
REV	ECO	DATE	CHG	DATE	

OR DOCUMENT STATUS SEE REVISION STATUS SHEET

VERIFY CONNECTIONS	
FROM	TO
R158-S	C32+(W)
R158-N	U30-5
R159-N	R158-N
R159-S	U30-01
GND	U44-14(+5V)
U44-14(+5V)	GND

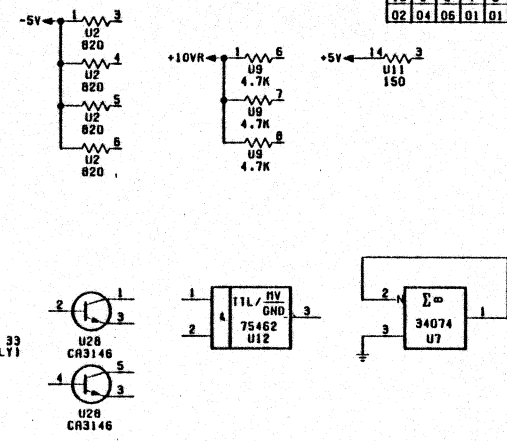
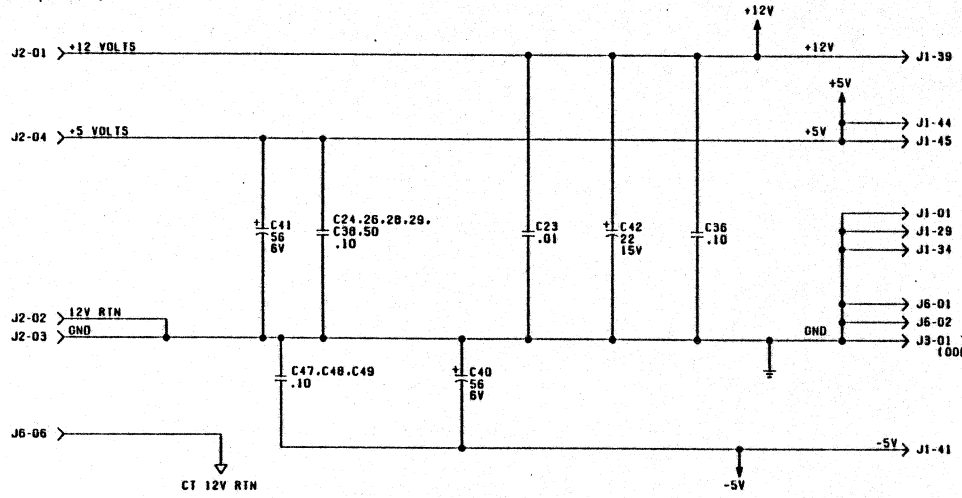
JUMPER LIST	
FROM	TO
U38-04	U38-07
U38-10	U38-07
U38-04	U43-02
U38-05	U38-06
U38-06	R156-W
U7-1	U7-2
U7-3	C48-E (GND)

TOTAL CUT RUNS 6

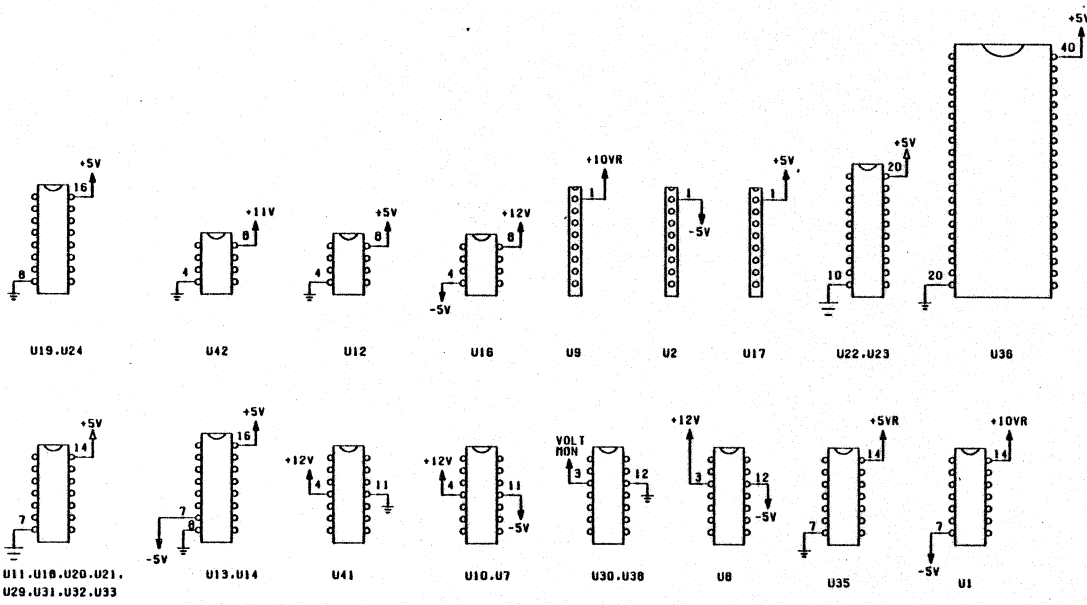
MATERIAL	Unless otherwise specified, dimensions are in inches.	MAGNETIC PERIPHERALS INC. 2000 West 10th Avenue OKLAHOMA CITY, OKLAHOMA	DATE	FILE	PWA ES DI SERVO	SIZE	DRAWING NUMBER	LOT	REV
	FINISH		3 Flats 2 Poles Angle 1 1 1	DATE 1977		WREN II	D 77739750	6 05	SCALE A23-AY5
DO NOT SCALE DRAWING									

D 77739750-6

SHEET REVISION STATUS										REVISION RECORD			
10	9	8	7	6	5	4	3	2	1	REV	BY	CHKD	DATE
02	04	06	01	01	02	05	05	02	06	01	CLASS I RELEASE	LC	JUN 1984
										02	PL66059	B. FURR	LC OCT 1984
										03	PL66081	B. FURR	LC NOV 1 1984
										04	PL66089	B. FURR	LC DEC 4 1984
										05	PL66088	B. FURR	LC DEC 4 1984
										06	PL66135	B. FURR	LC DEC 4 1984

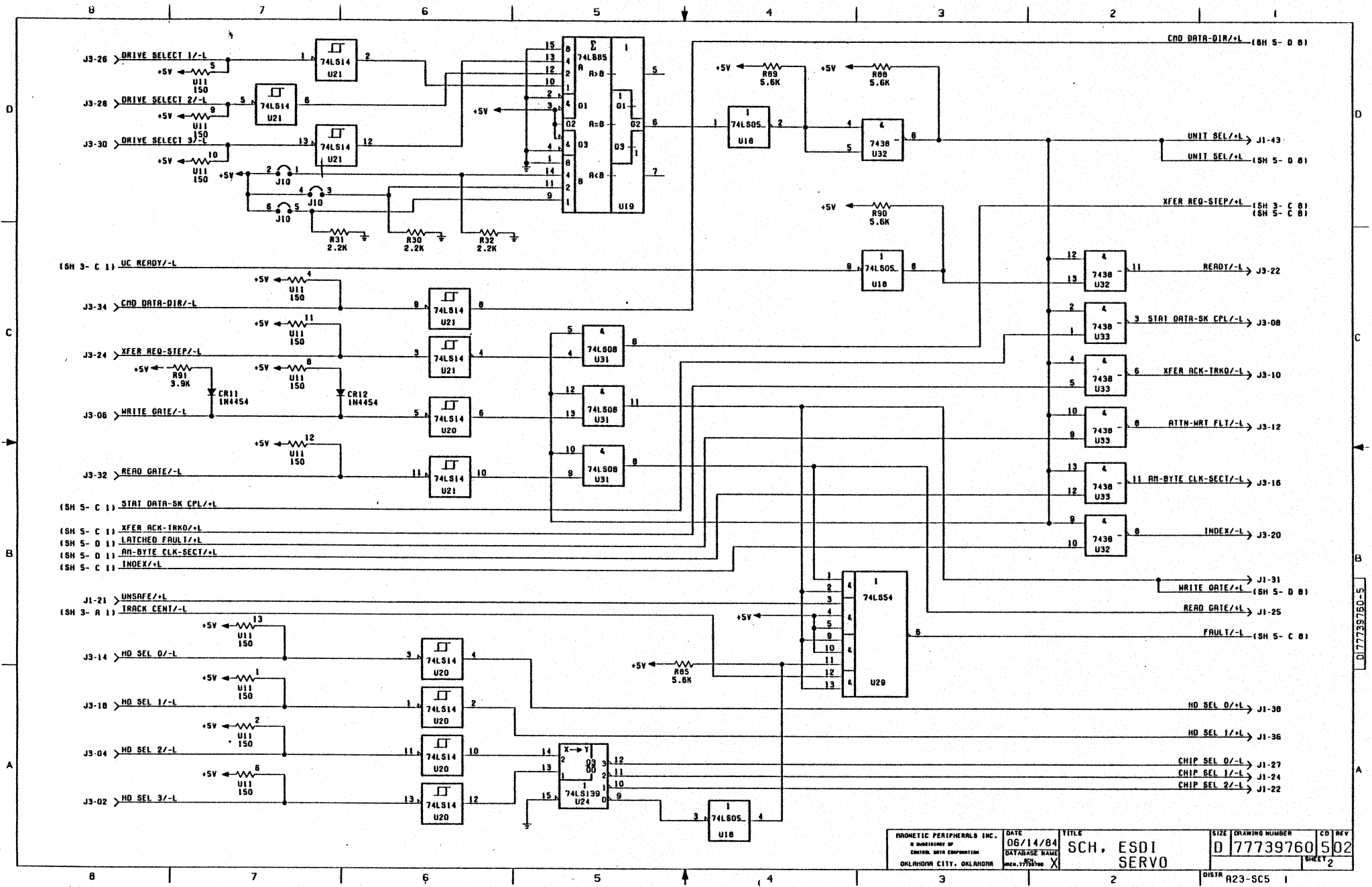


- NOTES: (UNLESS OTHERWISE SPECIFIED)
1. DRAWING INTERPRETATION PER 43A226599
 2. CAPACITOR VALUES ARE IN MICROFARADS +80-20%
 3. RESISTOR VALUES ARE IN OHMS, 1/8W, ±5%
 4. RESISTORS 1W AND GREATER ARE FLAME PROOF.
 5. RESISTOR PACKS (SIPS) ARE ±2%
 6. ALL ELECTROLYTIC CAPACITORS ± 20%.



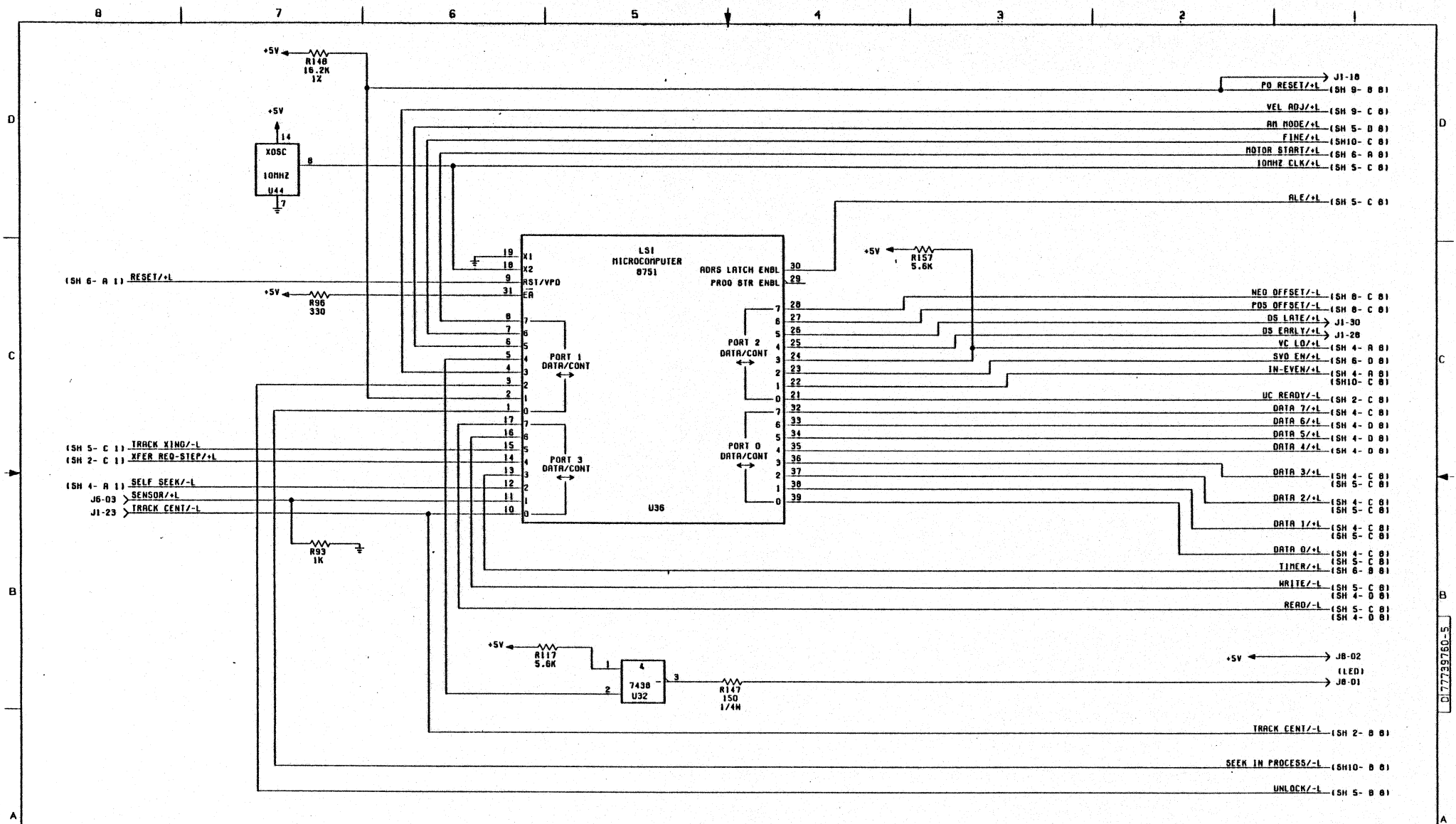
MATERIAL	UNLESS OTHERWISE SPECIFIED DIMENSIONS ARE IN INCHES TOLERANCES 3-PLACE 2-PLACE 1-PLACE	ROBOTIC PERIPHERALS INC. A DIVISION OF CONTROL DATA CORPORATION OKLAHOMA CITY, OKLAHOMA	OWN TOURN MOD	CHKD P. COLTRON	ENGR A. MCKENNA	DATE 08/14/84	TITLE SCH ESDI SERVO	SIZE D	DRAWING NUMBER 77739760	CD 5	REV 06
FINISH	DO NOT SCALE DRAWING	REV 9415	MFG					SCALE NONE	SHEET 1	of 10	
			DATA BASE SCH.WREN.77739760					DISTR R23-SC5			

D 177739760-5



MAGNETIC PERIPHERALS INC. A DIVISION OF GENCOR DATA CORPORATION OKLAHOMA CITY, OKLAHOMA	DATE 06/14/84	TITLE SCH. ESDI SERVO	SIZE D	DRAWING NUMBER 77739760	CD 5	REV 02
	DISTR A23-SC5 1		SHEET 2			

D:77739760-5



RADMETIC PERIPHERALS INC. A DIVISION OF CONTROL DATA CORPORATION OKLAHOMA CITY, OKLAHOMA	DATE 06/14/84	TITLE SCH. ESD1 SERVO	SHEET 3	DRAWING NUMBER D 77739760	REV 505
	OKLAHOMA CITY, OKLAHOMA	DATE 06/14/84	TITLE SCH. ESD1 SERVO	SHEET 3	REV 505

DISTR R23-SC5 1

D17739760-5

(SH 0 - 0 1) +2.5V REF

(SH 3 - 0 1) WRITE/-L

(SH 3 - 0 1) READ/-L

(SH 5 - C 1) BUS ENABLE/-L

(SH 3 - C 1) DATA 0/+L

(SH 3 - C 1) DATA 5/+L

(SH 3 - C 1) DATA 4/+L

(SH 3 - 0 1) DATA 3/+L

(SH 3 - 0 1) DATA 2/+L

(SH 3 - 0 1) DATA 1/+L

(SH 3 - 0 1) DATA 0/+L

(SH 3 - C 1) DATA 7/+L

(SH 3 - C 1) IN-EVEN/+L

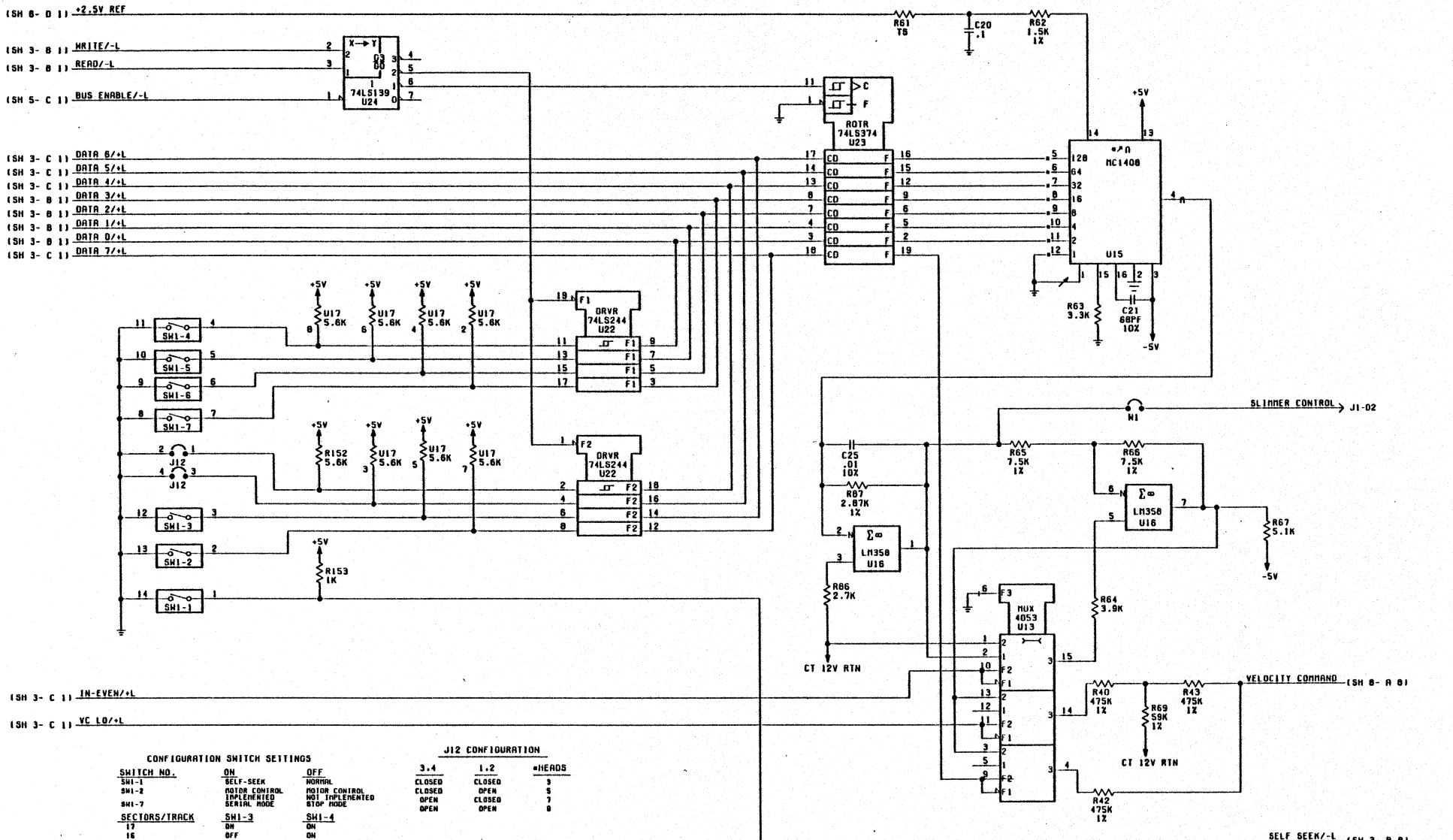
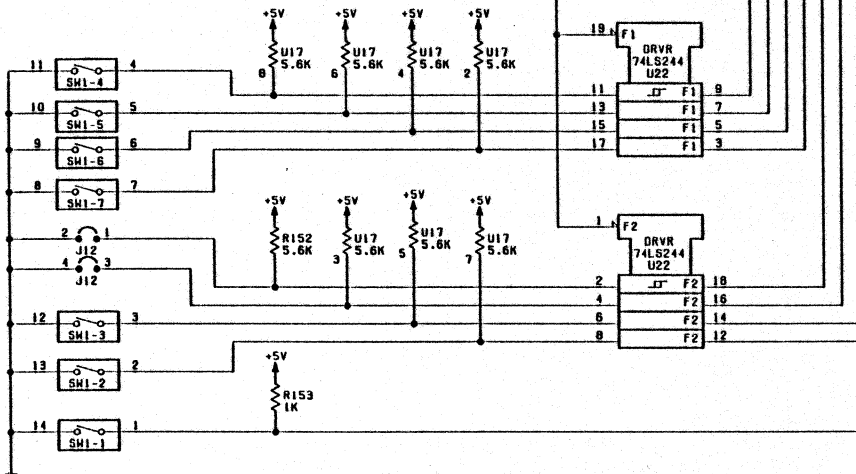
(SH 3 - C 1) VC LO/+L

CONFIGURATION SWITCH SETTINGS

SWITCH NO.	ON	OFF
SM1-1	SELF-SEEK	NORMAL
SM1-2	MOTOR CONTROL IMPLEMENTED	MOTOR CONTROL NOT IMPLEMENTED
SM1-7	SERIAL MODE	STOP MODE
SECTORS/TRACK	SM1-3	SM1-4
17	ON	ON
16	OFF	ON
14	ON	OFF
12	OFF	OFF
FORMAT MODE	SM1-5	SM1-8
ADDRESS MARK	ON	ON
BYTE CLOCK	OFF	ON
SECTOR PULSE	OFF	OFF
SECTOR PULSE	ON	OFF

J12 CONFIGURATION

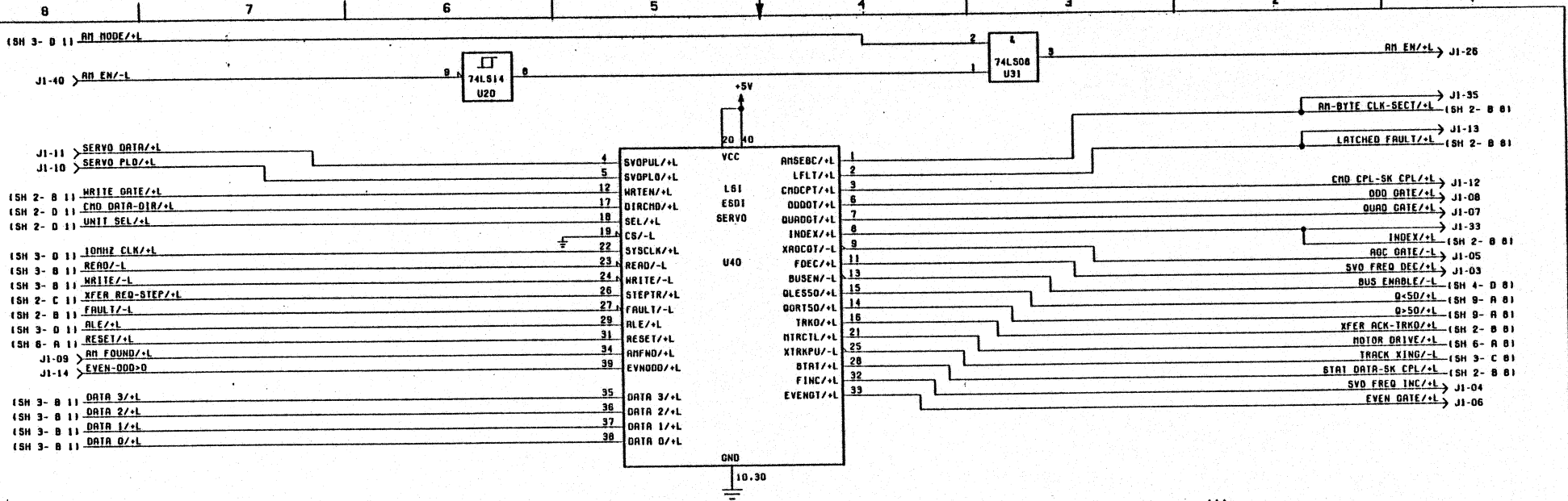
	3,4	1,2	#HEADS
	CLOSED	CLOSED	3
	CLOSED	OPEN	5
	OPEN	CLOSED	7
	OPEN	OPEN	9



MAGNETIC PERIPHERALS INC. A SUBSIDIARY OF CENTRAL DATA CORPORATION OKLAHOMA CITY, OKLAHOMA	DATE 06/14/84	TITLE SCH. ESDI SERVO	SIZE D 77739760	CD REV 505
	DBASE WAIVE REQ. 775900 X		DRAWING NUMBER D 77739760	SHEET 4

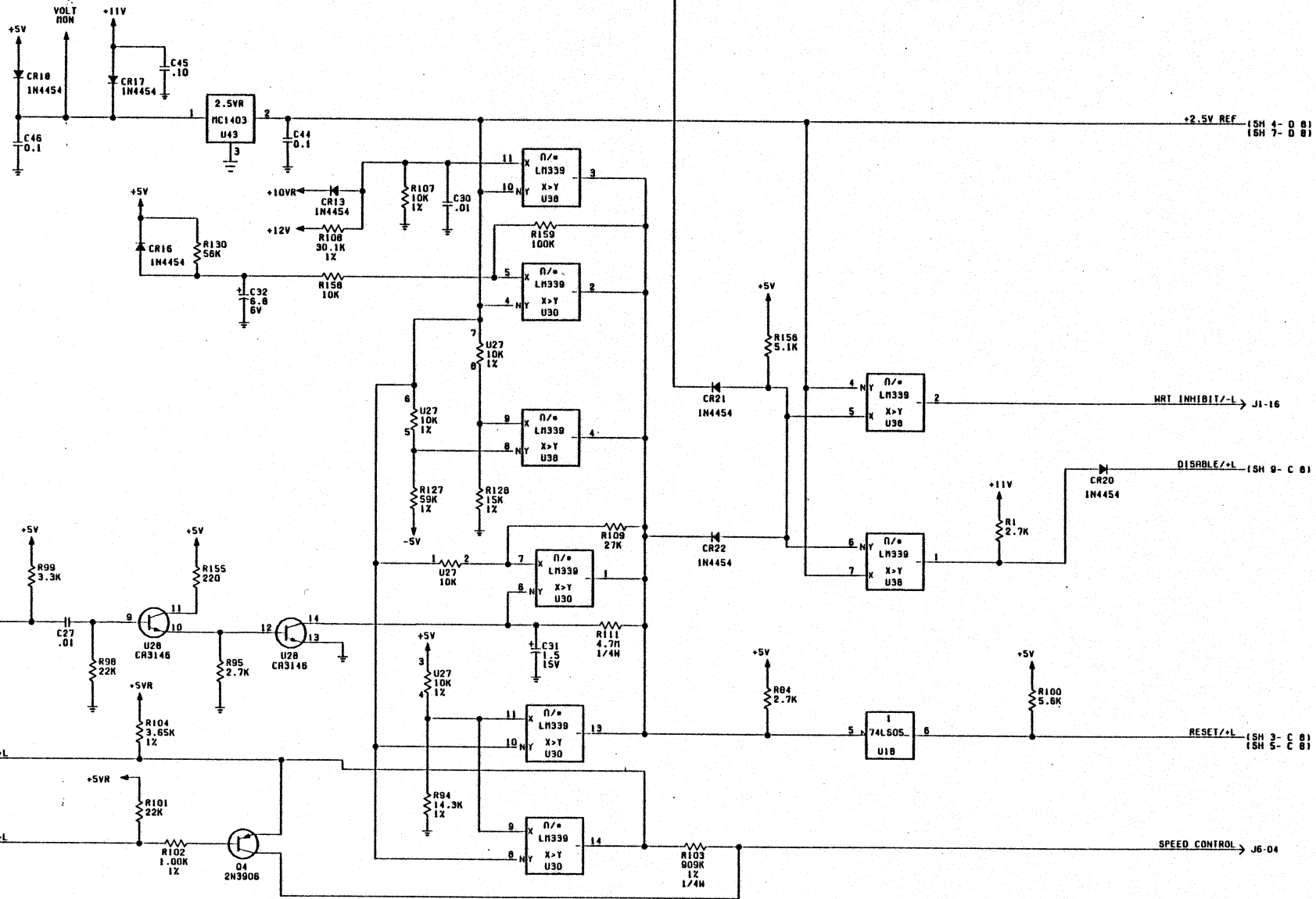
DISTR A23-SC5 1

D:77739760-5



0177739760-5

8 7 6 5 4 3 2 1



(SH 3- B 1) TIMER/+L

(SH 5- C 1) MOTOR DRIVE/+L

(SH 3- D 1) MOTOR START/+L

+2.5V REF (SH 4- D 8) (SH 7- D 8)

HRT INHIBIT/-L J1-16

DISABLE/+L (SH 9- C 8)

RESET/+L (SH 3- C 8) (SH 5- C 8)

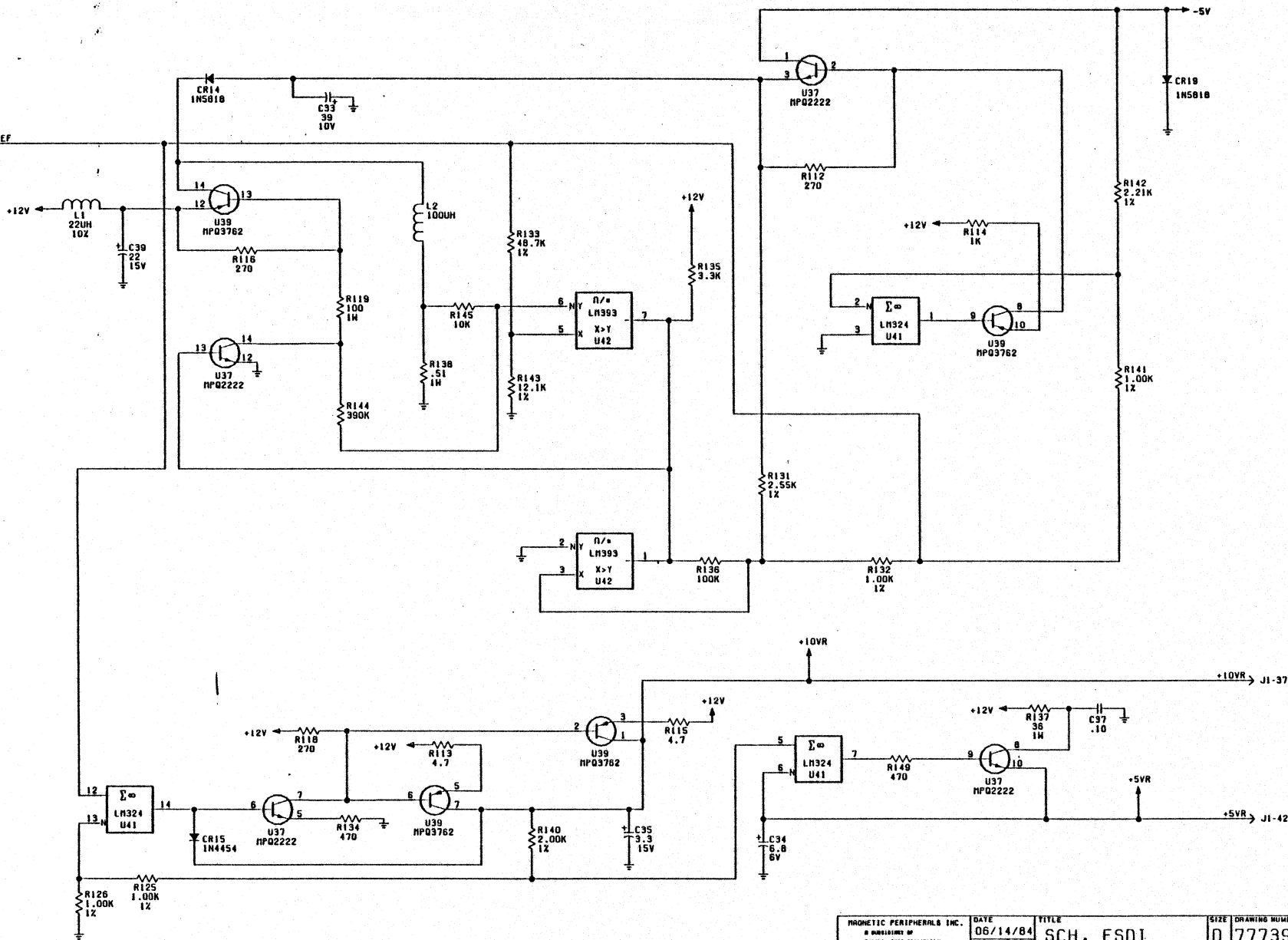
SPEED CONTROL J6-04

MAGNETIC PERIPHERALS INC. A DIVISION OF CENTRAL DATA CORPORATION OKLAHOMA CITY, OKLAHOMA	DATE 06/14/84	TITLE SCH. ESD1 SERVO	SIZE D	DRAWING NUMBER 77739760	CD 501	REV 501
	DATABASE NAME SER. 77739760					SHEET 6

DISTR A23-SC5 1

D 77739760-5

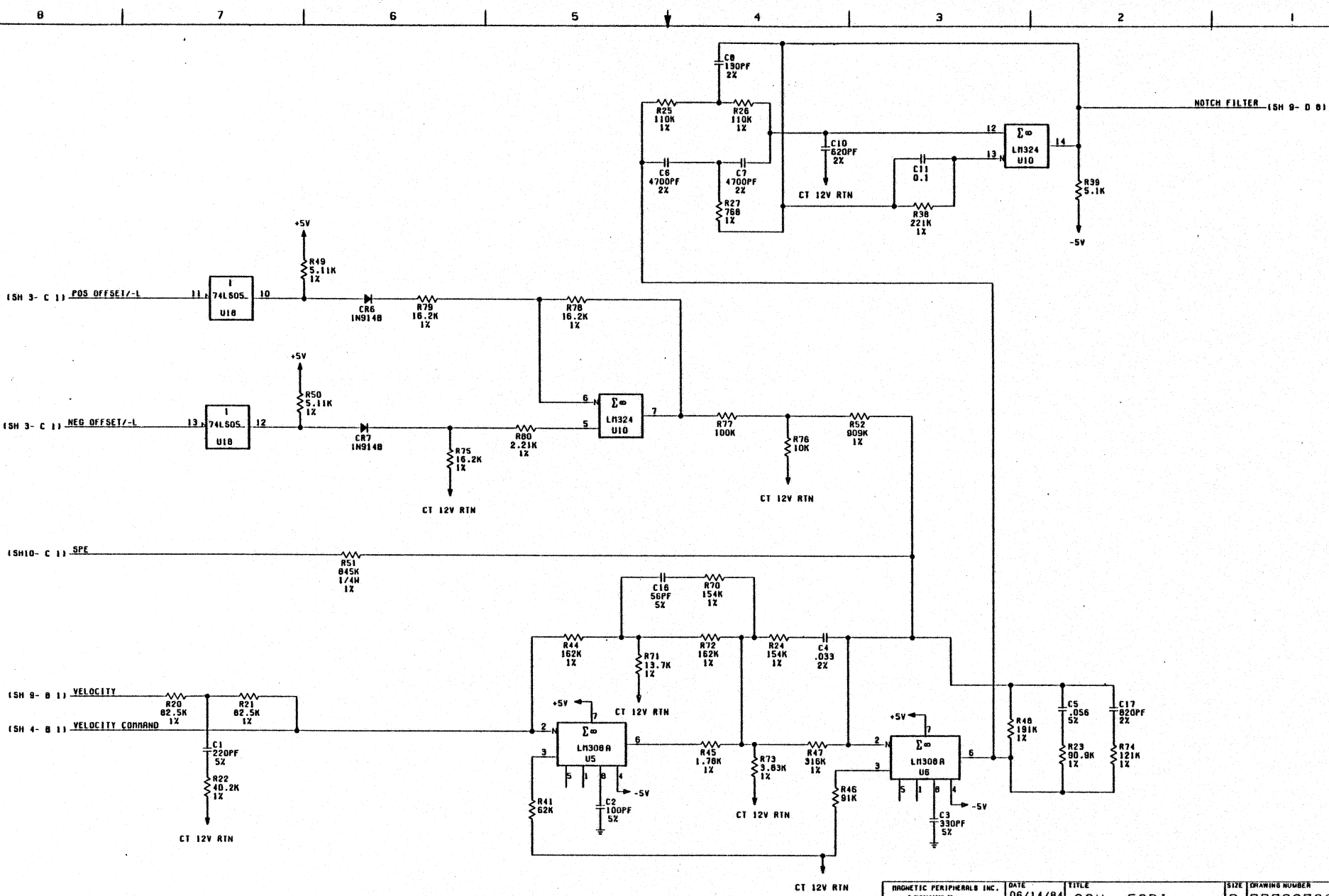
(SH 6-01) +2.5V REF



COMPANY	DATE	TITLE	SIZE	DRAWING NUMBER	CS	REV
MAGNETIC PERIPHERALS INC. A DIVISION OF CENTRAL DATA CORPORATION OKLAHOMA CITY, OKLAHOMA	06/14/84 GATAGASE RANIT SCH. MCH. 77739760	SCH. ESD1 SERVO	D	77739760	501	7

DISTR A23-SC5 1

D. 77739760-5

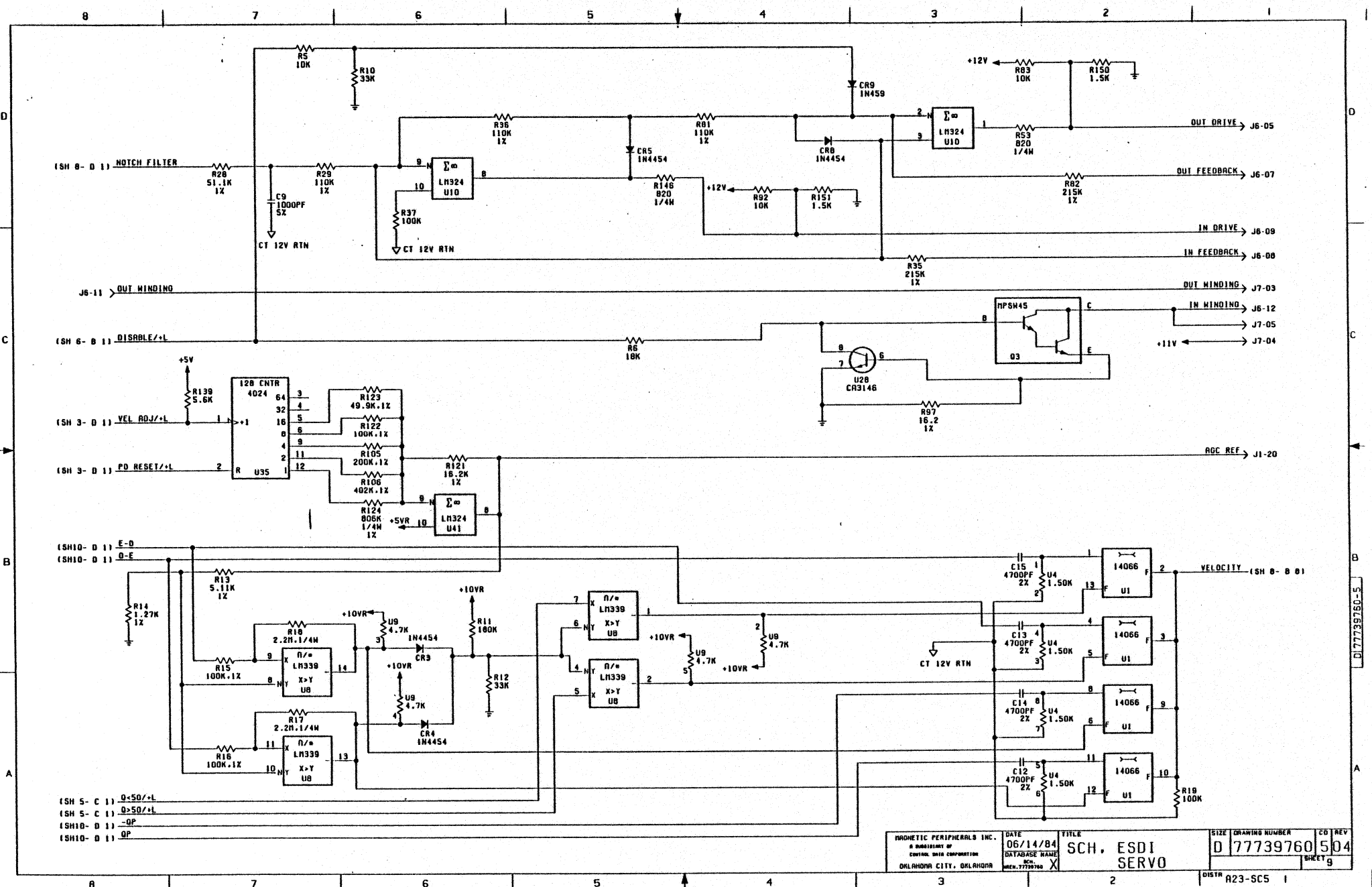


MAGNETIC PERIPHERALS INC. A DIVISION OF CONTROL DATA CORPORATION OKLAHOMA CITY, OKLAHOMA	DATE	TITLE	SIZE	DRAWING NUMBER	CD	REV
	06/14/84	SCH, ESDI SERVO	D	77739760	5	06
OKLAHOMA CITY, OKLAHOMA			DRAWN BY		CHECKED BY	
OKLAHOMA CITY, OKLAHOMA			DATE		REV	

DISTR A23-SC5 1

D17739760-5

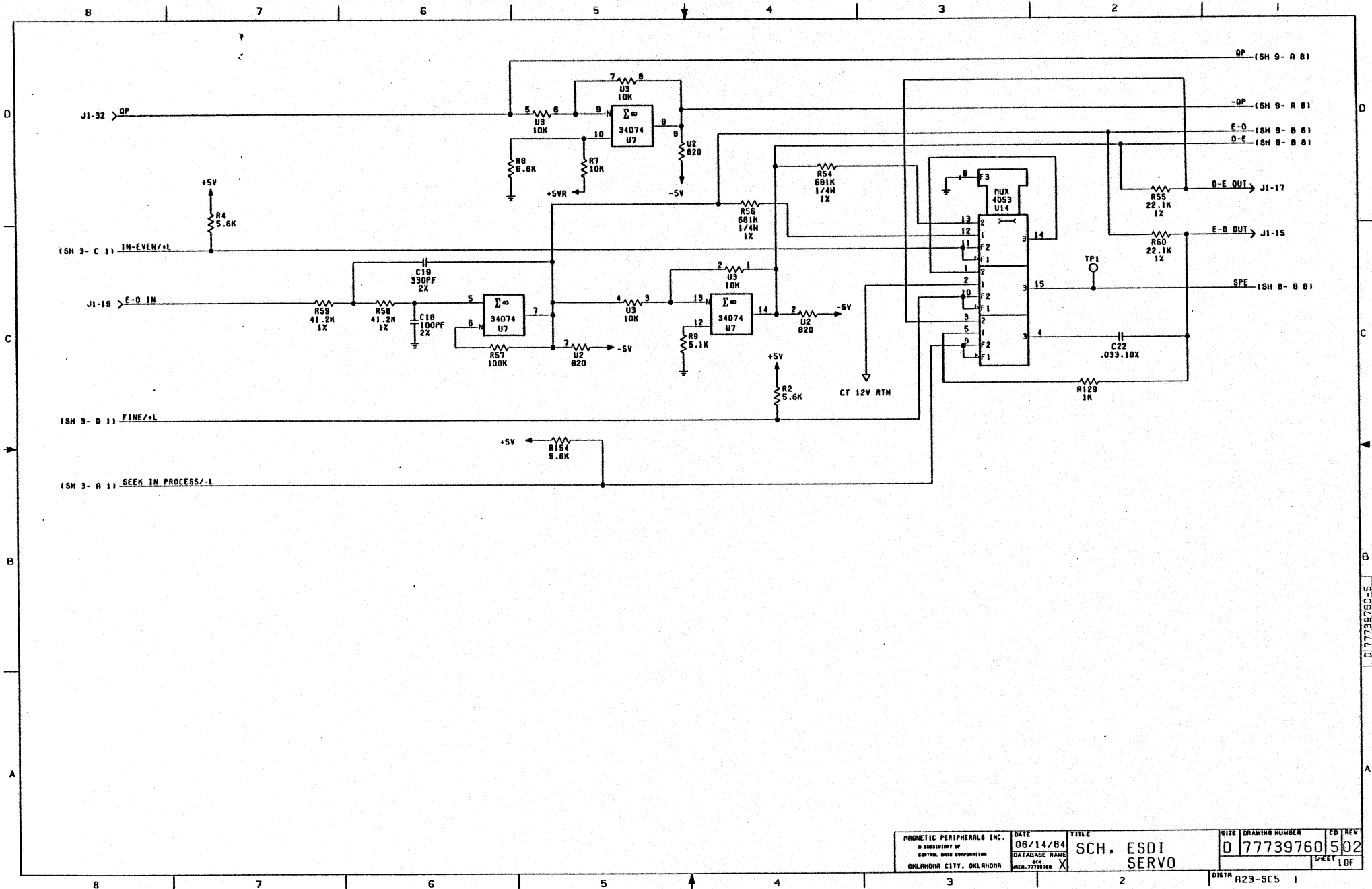
B 7 6 5 4 3 2 1



MAGNETIC PERIPHERALS INC. A DIVISION OF CONTROL DATA CORPORATION OKLAHOMA CITY, OKLAHOMA	DATE 06/14/84 DATABASE NAME SCH. 77739760 X	FILE SCH. ESDI SERVO	SIZE (DRAWING NUMBER) D 77739760	CD REV 504 SHEET 9
---	--	----------------------------	-------------------------------------	--------------------------

DISTR A23-SC5 1

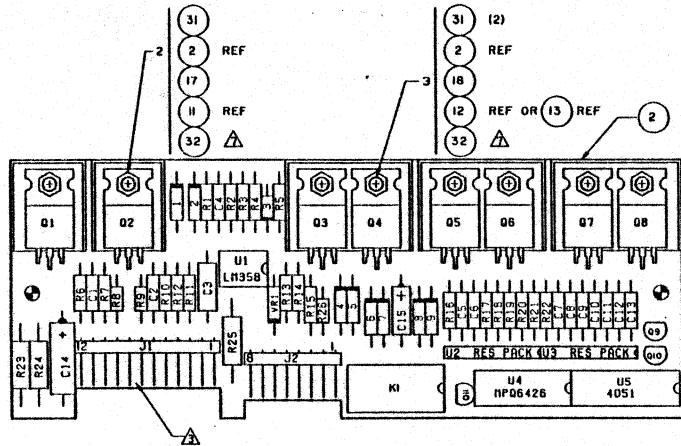
D177739760-5



MAGNETIC PERIPHERALS INC. A DIVISION OF CONTROL DATA CORPORATION OKLAHOMA CITY, OKLAHOMA	DATE	D6/14/84	TITLE	SCH, ESDI SERVO	SIZE	DRAWING NUMBER	CD	REV
	DATABASE NAME	REV.	DATE		D	77739760	5	02
							SHEET	1 OF

DISTR A23-SC5 1

C177739760-S



RES	PL ITEM
R1	29
R2	28
R3	28
R4	40
R5	28
R6	28
R7	28
R8	27
R9	27
R10	34
R11	38
R12	25
R13	38
R14	38
R15	39
R16	36
R17	30
R18	30
R19	30
R20	30
R21	30
R22	30
R23	24
R24	24
R25	25
R26	43

CAP	PL ITEM
C1	20
C2	20
C3	35
C4	21
C5	21
C6	21
C7	21
C8	20
C9	20
C10	20
C11	20
C12	20
C13	20
C14	19
C15	42

TSTR	PL ITEM
Q1	11
Q2	11
Q3	13
Q4	12
Q5	13
Q6	12
Q7	13
Q8	12
Q9	14
Q10	14
Q11	10

D10	PL ITEM
CR1	15
CR2	15
CR3	16
CR4	41
CR5	41
CR6	41
CR7	41
CR8	41
CR9	41

IC	PL ITEM
U1	6
U2	8
U3	9
U4	7
U5	5

VOLT REG	PL ITEM
VR1	36

CONN	PL ITEM
J1	22
J2	23

RELAY	PL ITEM
K1	37

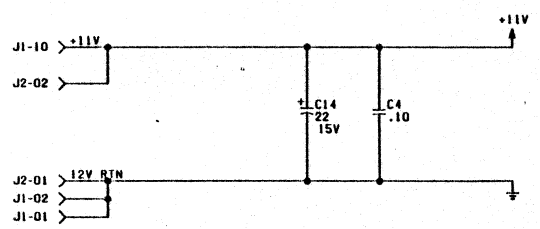
- NOTES: (UNLESS OTHERWISE SPECIFIED)
- ASSEMBLE PER 5970127, EXCEPT PARAGRAPH 3.8.3.
 - MAXIMUM COMPONENT HEIGHT .30, EXCEPT FOR KI, .40, AND HEATSINKS (ITEMS 17 AND 18) .32.
 - MARK ASSEMBLY NO. IN APPROXIMATE LOCATION SHOWN ON BACK SIDE PER I2A1099P1.
 - FOR SCHEMATIC DIAGRAM, SEE ITEM 1.
 - COMPONENT MARKING WITHOUT ALPHA PREFIX ARE DIODES.
 - SOLID BAND ON DIODES AND VOLTAGE REGULATORS INDICATE CATHODE END.
 - TORQUE 3.5-4.0 IN/LBS BEFORE SOLDERING. AFTER INITIAL TIGHTENING, THE TORQUE MAY RELAX TO A MINIMUM OF 2.0 IN/LBS.
 - GENERAL WORKMANSHIP PER I0120300.

MATERIAL	UNLESS OTHERWISE SPECIFIED DIMENSIONS ARE IN INCHES.	PROMETIC PERIPHERALS INC.	UNW BURET EVANS	03-15-84	TITLE	SIZE	DRAWING NUMBER	CD	REV
FINISH	TOLERANCES	3-PLACE 2-PLACE ANGLES	CHUCK D. COLEMAN	03-26-84	PWA MOTOR CONTROL	D	77760550	2	03
	DO NOT SCALE DRAWING	OHLENDORF CITY, OHLENDORF	FOR STEVEN HOLBINDER	03-26-84		SCALE	2/1	SHEET	1 OF 1
		WREN 11	MFG			DISTR	A23-RY5	1	
			DATA BASE						
			ENG. WREN. 77760570	X					

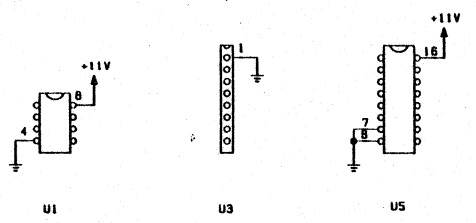
D. 77760550-2

IDENT. NO.	CD	STATUS	REVISION

SHEET REVISION STATUS				REVISION RECORD			
REV	DATE	BY	APP	REV	DATE	BY	APP
01	01	01	01	CLASS C RELEASED			

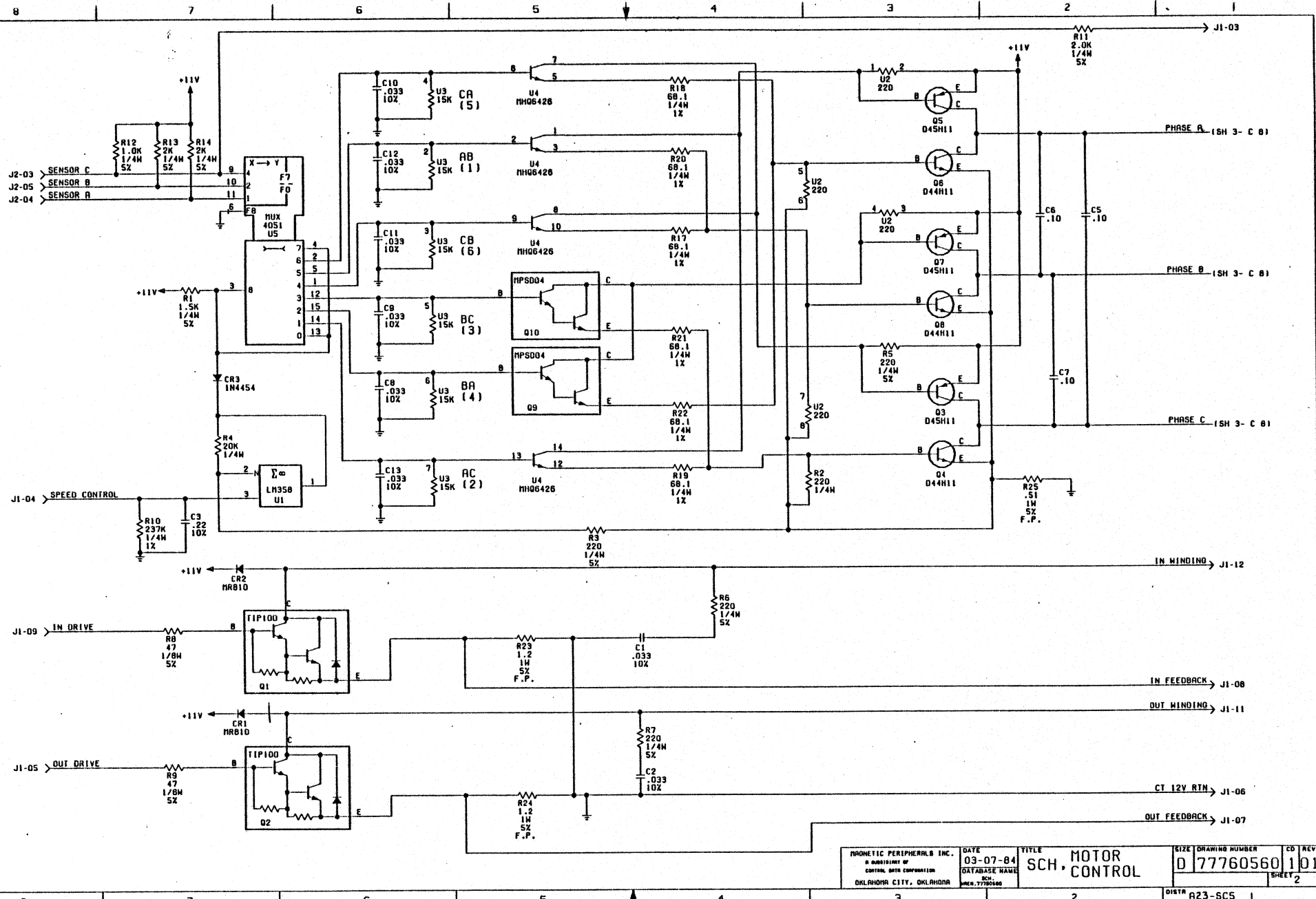


- NOTES: (UNLESS OTHERWISE SPECIFIED)
1. DRAWING INTERPRETATION PER 43A226599
 2. CAPACITOR VALUES ARE IN MICROFARADS +80-20%
 3. RESISTOR PACKS (SIPS) ARE ±2%
 4. RESISTOR VALUES ARE IN OHMS.
 5. PHASE AND SENSOR SEQUENCE IS A,B,C.
SENSOR DECODE SEQUENCE IS 5,1,3,2,6,4 FOR
PHASE DECODES OF AB,AC,BC,BA,CA,CB.



MATERIAL	UNLESS OTHERWISE SPECIFIED DIMENSIONS ARE IN INCHES. TOLERANCES	MAGNETIC PERIPHERALS INC. A DIVISION OF GEORGE W. COOPER INC. OKLAHOMA CITY, OKLAHOMA	DWN CHKD ENGR MFG	200 7200 J. H. [Signature] R. [Signature] SCH. WREN II	01-07-84 5-26-84	TITLE SCH. MOTOR CONTROL	SIZE DRAWING NUMBER D 77760560	CD REV 1 01
FINISH	3-PLACE 2-PLACE ANGLES 1 1/2 1/2 1/2	DO NOT SCALE DRAWING	DATA BASE SCH.WREN.77760560			SCALE NONE	SHEET 1 of 3	

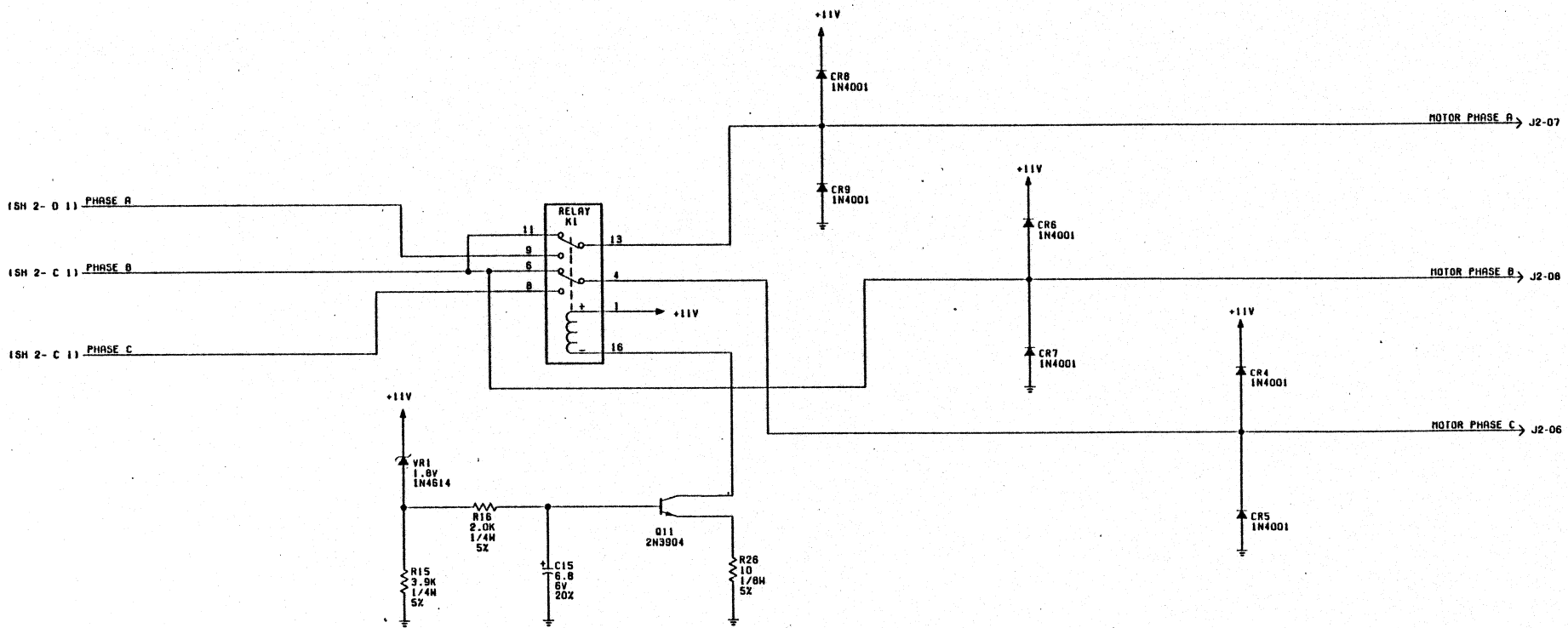
D. 77760560-1



MAGNETIC PERIPHERALS INC. A DIVISION OF CENTRAL DATA CORPORATION OKLAHOMA CITY, OKLAHOMA	DATE 03-07-84 DATABASE NAME SCH. REV. 77760560	TITLE SCH. MOTOR CONTROL	SIZE DRAWING NUMBER D 77760560	CD REV 101
---	--	-----------------------------	-----------------------------------	---------------

DISTR A23-SC5 1

D 77760560-1



MAGNETIC PERIPHERALS INC. A DIVISION OF CONTROL DATA CORPORATION OKLAHOMA CITY, OKLAHOMA	DATE 03-07-84	TITLE SCH, MOTOR CONTROL	SIZE D	DRAWING NUMBER 77760560	CD 101	REV 3 F
	DBASE NAME SCH REV. 77760560					

DISTR A23-SC5 1

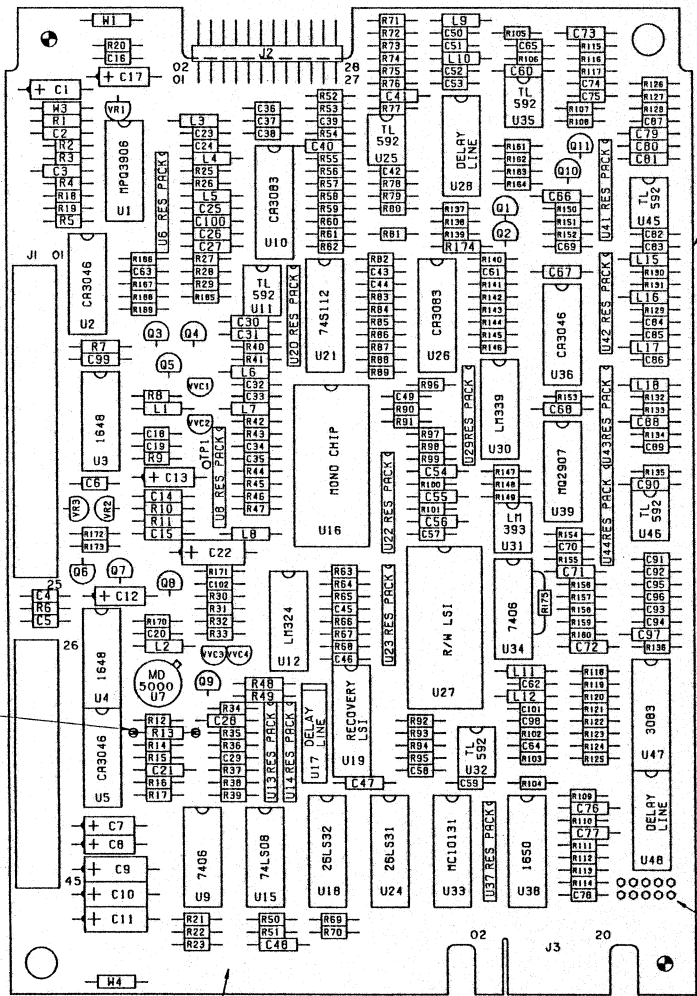
D 77760560-1

IDENT. NO.	CD	STATUS	REVISION

SHEET REVISION STATUS				REVISION RECORD			
REV	ECO	DMT	CRD	DATE			

FOR DOCUMENT STATUS SEE REVISION STATUS SHEET

D
C
B
A



JUMPER LIST	
FROM	TO
U18-04	U18-12 (GND)
U19-13	U19-16 (+5V)
U30-12	R91-W (-5V)

VERIFY CONNECTIONS	
FROM	TO
R175-N	U34-14
R175-S	U34-9

- NOTES: (UNLESS OTHERWISE SPECIFIED)
- ASSEMBLE PER 59701127, EXCEPT PARAGRAPH 3.6.3.
 - MAXIMUM COMPONENT HEIGHT .30 EXCEPT J1 AND U27, 0.33, AND ITEMS 177, 0.25
 - MARK ASSEMBLY NO. IN APPROXIMATE LOCATION SHOWN PER 12A1099PI.
 - FOR SCHEMATIC DIAGRAM, SEE ITEM I.
 - COMPONENT MARKING WITHOUT ALPHA PREFIX ARE DIODES.
 - SOLID BAND ON DIODES AND VOLTAGE REGULATORS INDICATE CATHODE END.
 - GENERAL WORKMANSHIP PER 10120300.
 - CLIP PIN 12 OF IC U30. INSTALL JUMPER TO LEAD OF IC.

MATERIAL	UNLESS OTHERWISE SPECIFIED DIMENSIONS ARE IN INCHES.	MAGNETIC PERIPHERALS INC. A DIVISION OF CONTROL DATA CORPORATION OKLAHOMA CITY, OKLAHOMA	DWN D. HUBBLE	06-15-84	TITLE	PWA, ESDI DATA	SIZE	DRAWING NUMBER	CD	REV
FINISH	3-PLACE 2-PLACE ANKLES		CHKD D. COLEMAN	6-15-84				077760600	502	
	DO NOT SCALE DRAWING	WREN II	ENGR R. HARRAN	6-15-84				SCALE	2/1	SHEET 1 OF 2
			DATA BASE DMG.WREN.77760620					DISTR	A23-AY5	1

8 7 6 5 4 3 2 1

RES	PL ITEM
R1	169
R2	115
R3	115
R4	142
R5	150
R6	151
R7	164
R8	147
R9	151
R10	171
R11	171
R12	142
R13	175
R14	121
R15	172
R16	110
R17	158
R18	151
R19	149
R20	147
R21	149
R22	116
R23	135
R24	-
R25	136
R26	136
R27	131
R28	131
R29	174
R30	130
R31	133
R32	111
R33	112
R34	116
R35	129
R36	124
R37	143
R38	120
R39	123
R40	114
R41	114
R42	113
R43	113
R44	146
R45	126
R46	145
R47	157
R48	148
R49	152
R50	153
R51	132
R52	136
R53	139
R54	189
R55	190

RES	PL ITEM
R56	190
R57	198
R58	190
R59	190
R60	146
R61	192
R62	193
R63	160
R64	155
R65	157
R66	162
R67	130
R68	133
R69	136
R70	136
R71	180
R72	180
R73	184
R74	184
R75	198
R76	198
R77	117
R78	136
R79	198
R80	198
R81	149
R82	166
R83	183
R84	183
R85	185
R86	161
R87	109
R88	185
R89	153
R90	137
R91	202
R92	182
R93	145
R94	182
R95	145
R96	201
R97	191
R98	194
R99	119
R100	114
R101	182
R102	109
R103	154
R104	154
R105	139
R106	144
R107	122
R108	122
R109	168
R110	168

RES	PL ITEM
R111	139
R112	147
R113	147
R114	165
R115	142
R116	118
R117	118
R118	173
R119	125
R120	120
R121	173
R122	107
R123	125
R124	163
R125	163
R126	115
R127	115
R128	170
R129	141
R130	179
R131	179
R132	187
R133	187
R134	174
R135	139
R136	108
R137	205
R138	179
R139	179
R140	197
R141	199
R142	199
R143	109
R144	161
R145	196
R146	196
R147	149
R148	153
R149	200
R150	127
R151	120
R152	139
R153	128
R154	134
R155	114
R156	120
R157	120
R158	188
R159	188
R160	153
R161	122
R162	195
R163	127
R164	120
R165	140

RES	PL ITEM
R166	120
R167	159
R168	181
R169	144
R170	120
R171	159
R172	181
R173	144
R174	204
R175	203

CAP	PL ITEM
C1	84
C2	77
C3	77
C4	75
C5	75
C6	75
C7	94
C8	95
C9	98
C10	97
C11	97
C12	95
C13	95
C14	77
C15	77
C16	91
C17	93
C18	75
C19	75
C20	75
C21	77
C22	97
C23	97
C24	102
C25	77
C26	77
C27	77
C28	76
C29	103
C30	77
C31	77
C32	78
C33	83
C34	75
C35	99
C36	99
C37	99
C38	99
C39	75
C40	77
C41	77
C42	99
C43	89
C44	89
C45	87
C46	75
C47	77
C48	77
C49	92
C50	78
C51	82
C52	99
C53	99
C54	90
C55	90

CAP	PL ITEM
C56	90
C57	81
C58	99
C59	99
C60	77
C61	75
C62	79
C63	75
C64	75
C65	69
C66	77
C67	76
C68	77
C69	74
C70	75
C71	77
C72	77
C73	77
C74	99
C75	99
C76	77
C77	77
C78	75
C79	77
C80	77
C81	77
C82	99
C83	99
C84	69
C85	73
C86	88
C87	99
C88	77
C89	99
C90	77
C91	89
C92	89
C93	99
C94	99
C95	75
C96	75
C97	77
C98	75
C99	77
C100	77
C101	80
C102	75

IC	PL ITEM
U1	12
U2	13
U3	5
U4	5
U5	13
U6	36
U7	25
U8	42
U9	19
U10	14
U11	17
U12	15
U13	31
U14	38
U15	10
U16	24
U17	27
U18	29
U19	7
U20	39
U21	26
U22	44
U23	37
U24	28
U25	17
U26	14
U27	8
U28	30
U29	45
U30	16
U31	18
U32	17
U33	21
U34	19
U35	17
U36	13
U37	35
U38	6
U39	11
U40	-
U41	43
U42	31
U43	36
U44	38
U45	17
U46	17
U47	14
U48	30

IND	PL ITEM
L1	54
L2	58
L3	56
L4	56
L5	60
L6	59
L7	59
L8	61
L9	57
L10	57
L11	60
L12	60
L13	-
L14	-
L15	54
L16	54
L17	56
L18	56
L19	-

VARIABLE	PL ITEM
VVC1	48
VVC2	49
VVC3	49
VVC4	49

VOLT REG	PL ITEM
VR1	51
VR2	53
VR3	53

TSTR	PL ITEM
Q1	52
Q2	52
Q3	47
Q4	47
Q5	47
Q6	47
Q7	47
Q8	47
Q9	50
Q10	52
Q11	52

JUMP	PL ITEM
W1	176
W2	-
W3	176
W4	176
W5	-

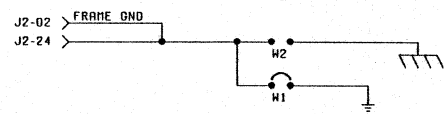
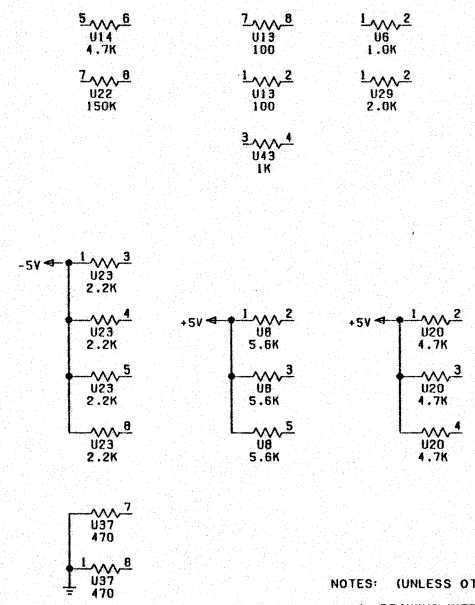
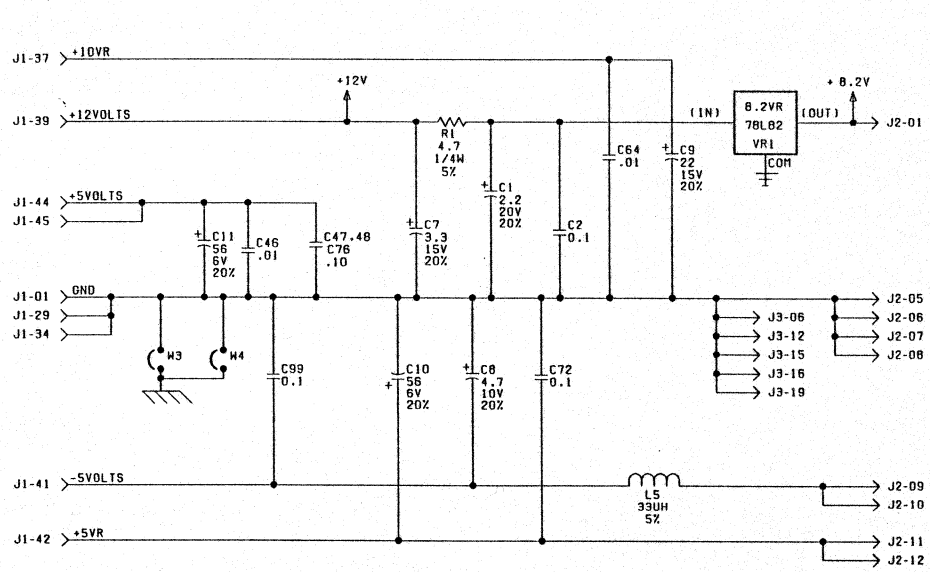
CONN	PL ITEM
J1	66
J2	68
J3	-

MAGNETIC PERIPHERALS INC. A SUBSIDIARY OF CONTROL DATA CORPORATION OKLAHOMA CITY, OKLAHOMA	DATE 06-15-84	TITLE PWA ESDI DATA	SIZE D	DRAWING NUMBER 77760600	CD 502	REV 2 F
	DATABASE NAME X 206.MECH.77760600					

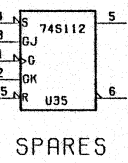
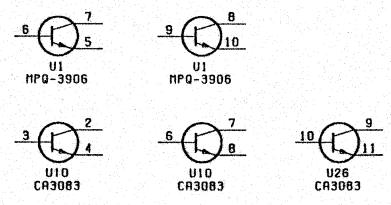
DISTR A23-AY5 1

IDENT. NO.	CD	STATUS	REVISION

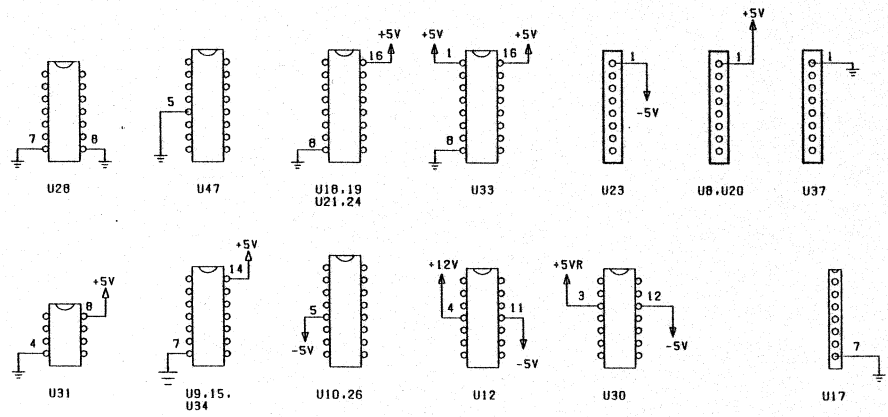
SHEET REVISION STATUS						REVISION RECORD			
7	6	5	4	3	2	REV	CD	DATE	BY
02	02	01	02	02	02	01	CLASS L RELEASED		JUN 1984
						02	PL66050	B. FURR	SEP 83



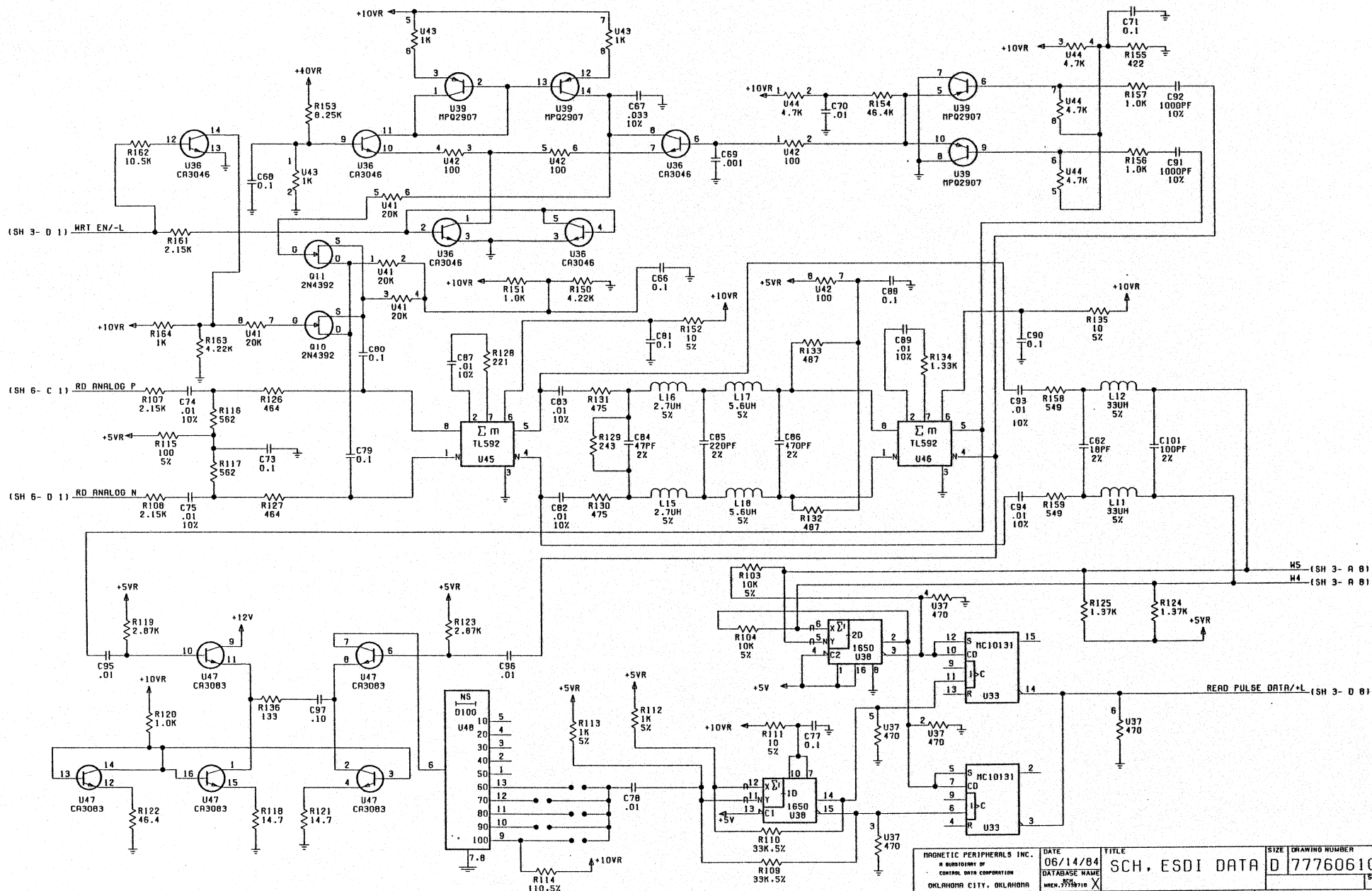
- NOTES: (UNLESS OTHERWISE SPECIFIED)
- DRAWING INTERPRETATION PER 43A226599
 - RESISTOR VALUES ARE IN OHMS, 1/5W±1% UNLESS INDICATED
 - CAPACITOR VALUES ARE IN MICROFARADS, 50V±80-20%, UNLESS INDICATED



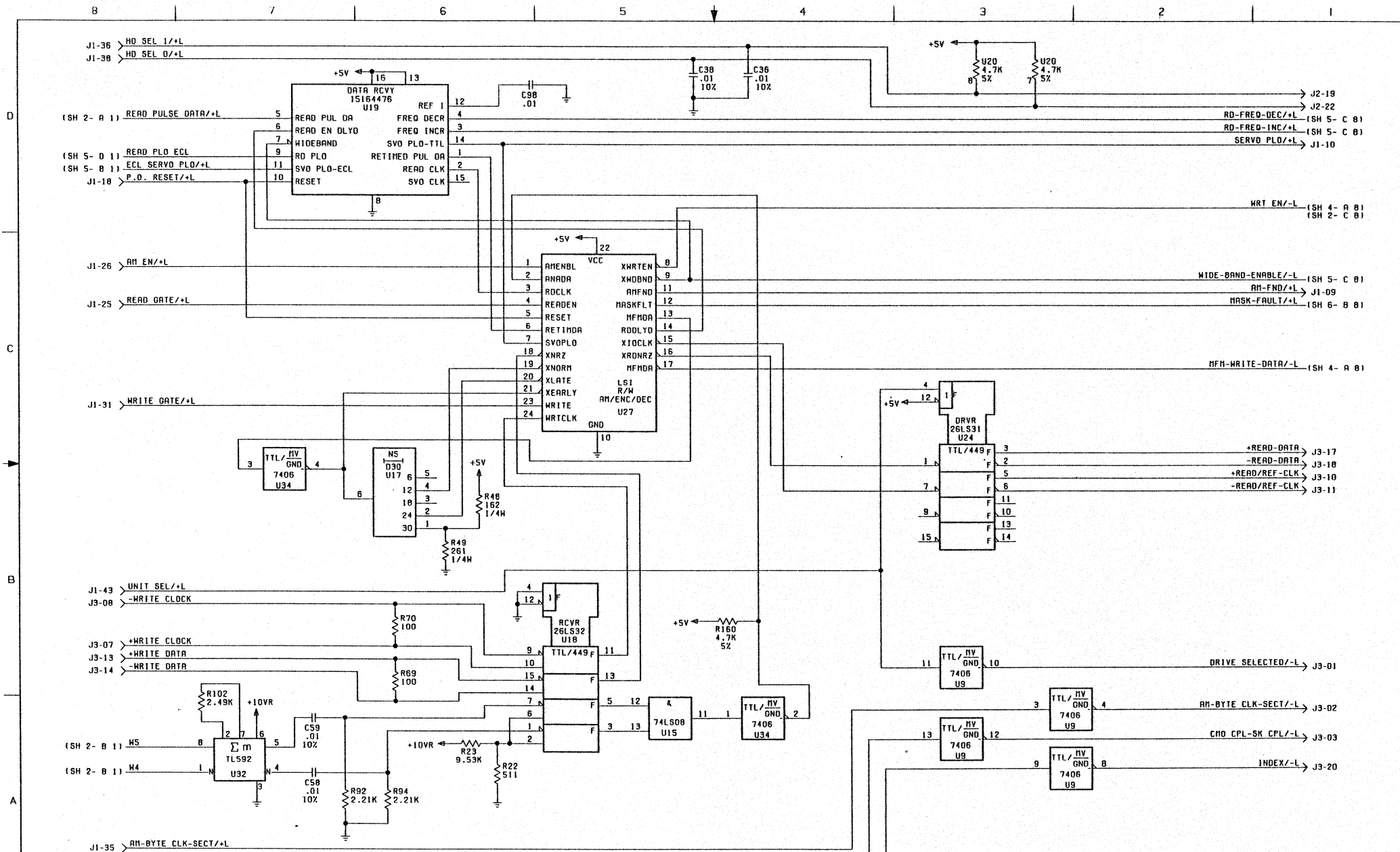
SPARES



MATERIAL	UNLESS OTHERWISE SPECIFIED DIMENSIONS ARE IN INCHES. TOLERANCES 3-PLACE 2-PLACE ANGLES 1-0	MAGNETIC PERIPHERALS INC. A SUBSIDIARY OF CONTROL DATA CORPORATION OKLAHOMA CITY, OKLAHOMA	OWN TOSH ACC 08-11-84	TITLE SCH, ESDI DATA	SIZE D 77760610	CD 4	REV 02
FINISH	DO NOT SCALE DRAWING	WREN II	CHKD. D. COLVIN 08/15/84	ENG. A. HODGSON 08/15/84	SCALE NONE	SHEET 1	OF 7
			DATA BASE SCH.WREN.77760610		DISTR R23-SC5		

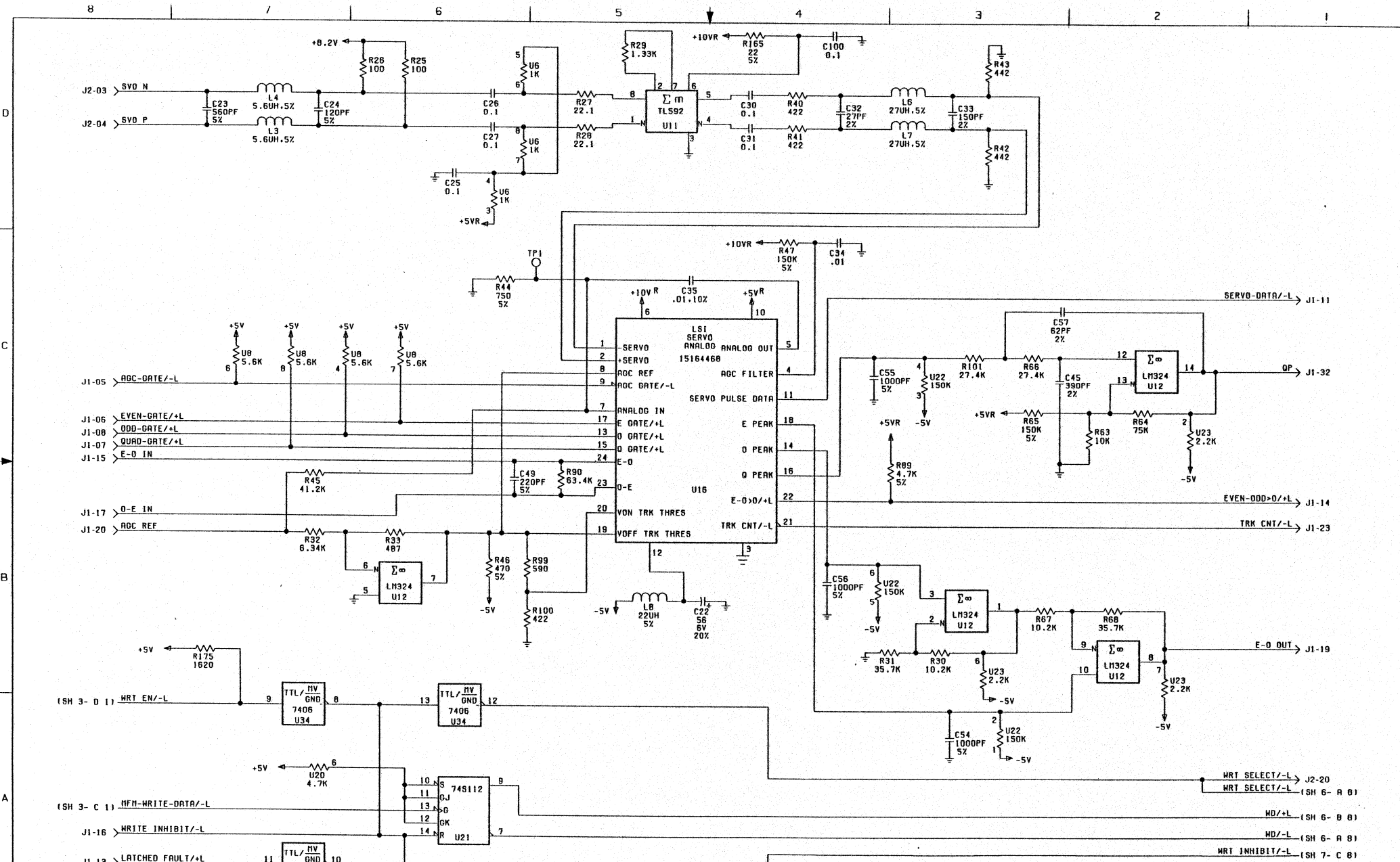


MAGNETIC PERIPHERALS INC. A DIVISION OF CONTROL DATA CORPORATION OKLAHOMA CITY, OKLAHOMA	DATE 06/14/84 DATABASE NAME MPCN 703710 X	TITLE SCH. ESDI DATA	SIZE DRAWING NUMBER D 77760610	CD REV 402
---	--	-------------------------	--------------------------------------	------------------



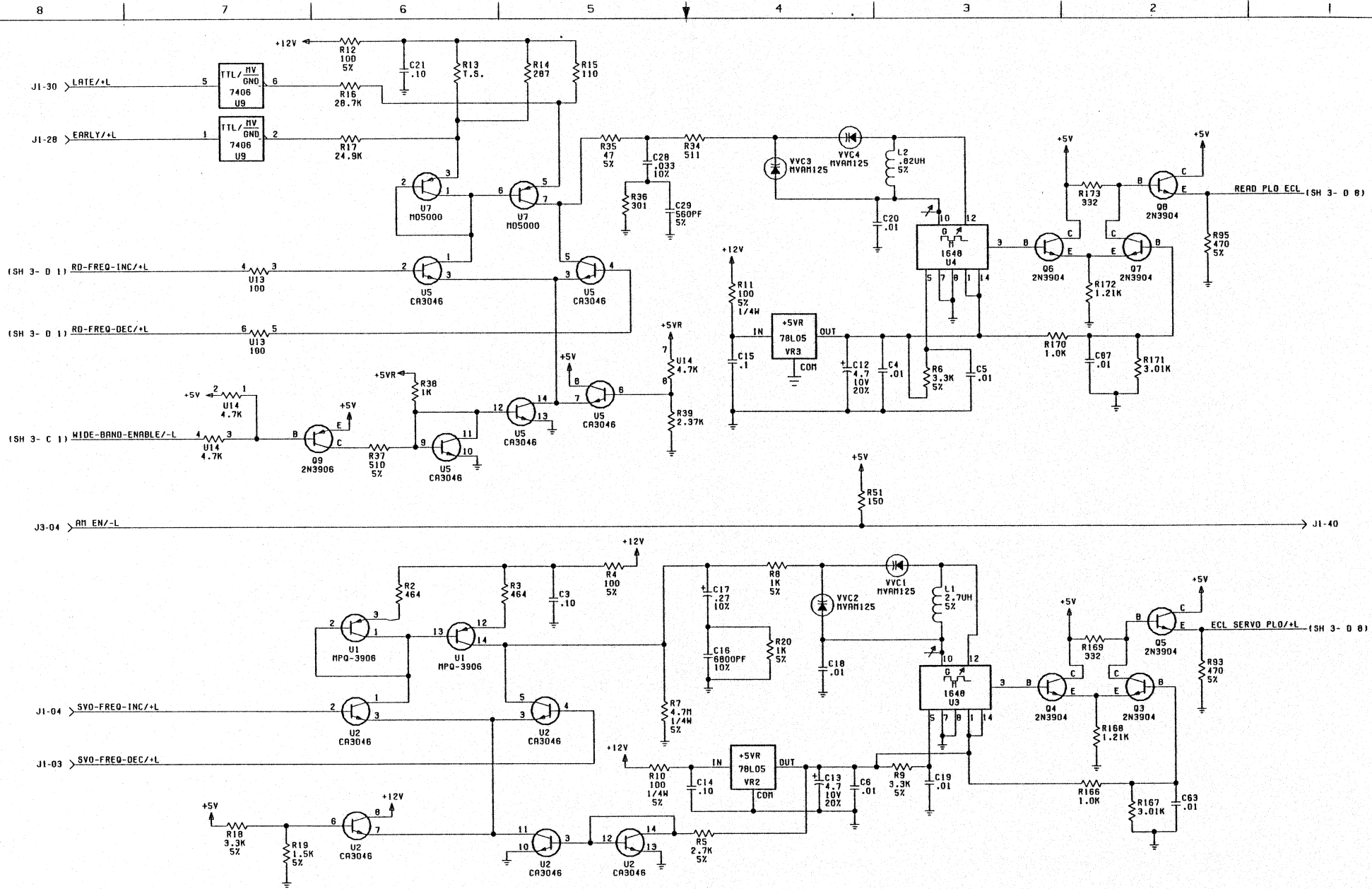
MAGNETIC PERIPHERALS INC. A SUBSIDIARY OF CONTROL DATA CORPORATION OKLAHOMA CITY, OKLAHOMA	DATE	TITLE	SIZE	DRAWING NUMBER	CD	REV
	06/14/84	SCH. ESDI DATA	D	77760610	4	02
DATABASE NAME						SHEET
OKLAHOMA CITY, OKLAHOMA						3

DISTR A23-SC5 1



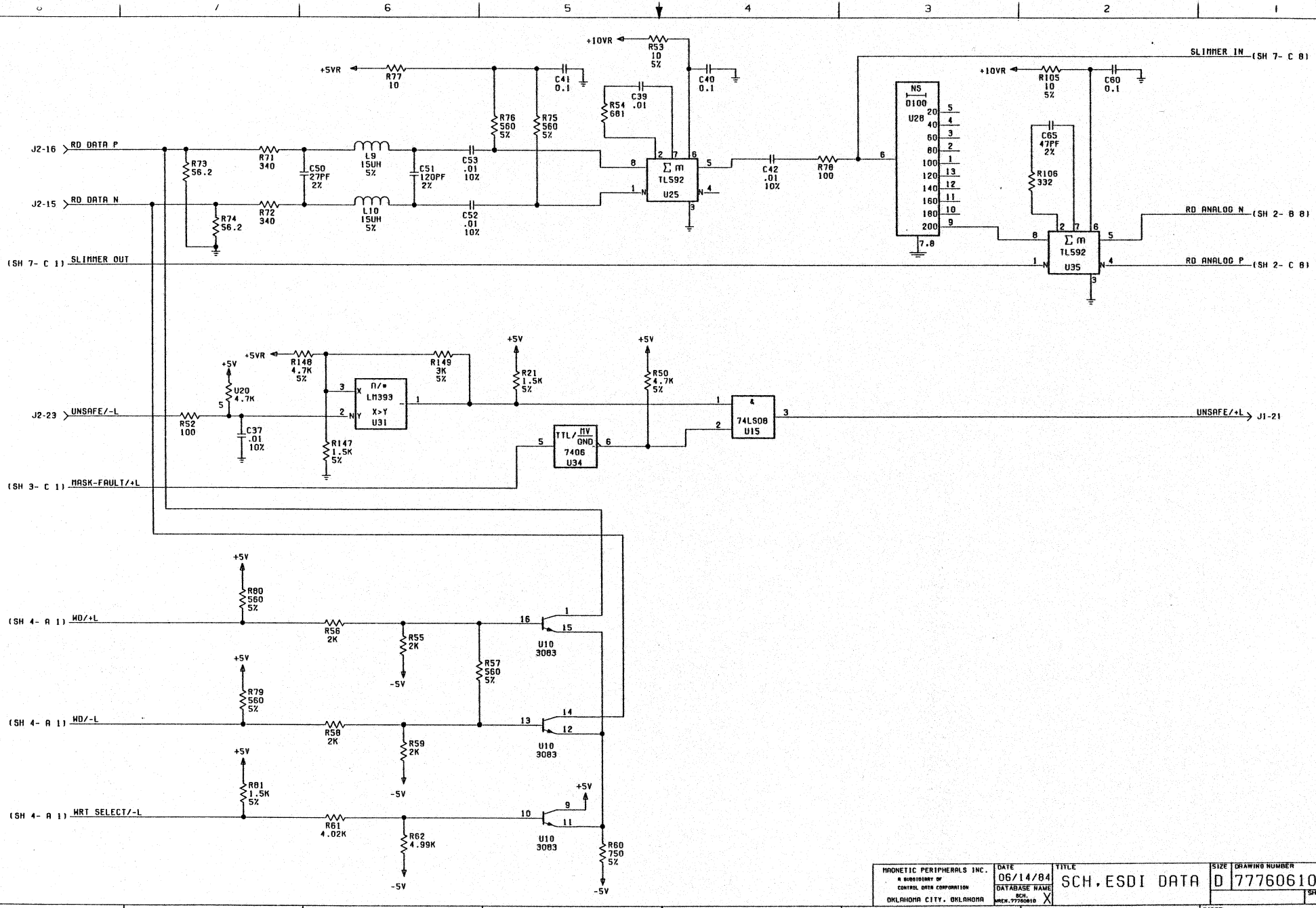
MAGNETIC PERIPHERALS INC. A SUBSIDIARY OF CONTROL DATA CORPORATION OKLAHOMA CITY, OKLAHOMA	DATE	06/14/84	TITLE	SCH, ESDI DATA	SIZE	DRAWING NUMBER	CD	REV
	REVISION		DB	77760610	4	402		

DISTR A23-SC5 1



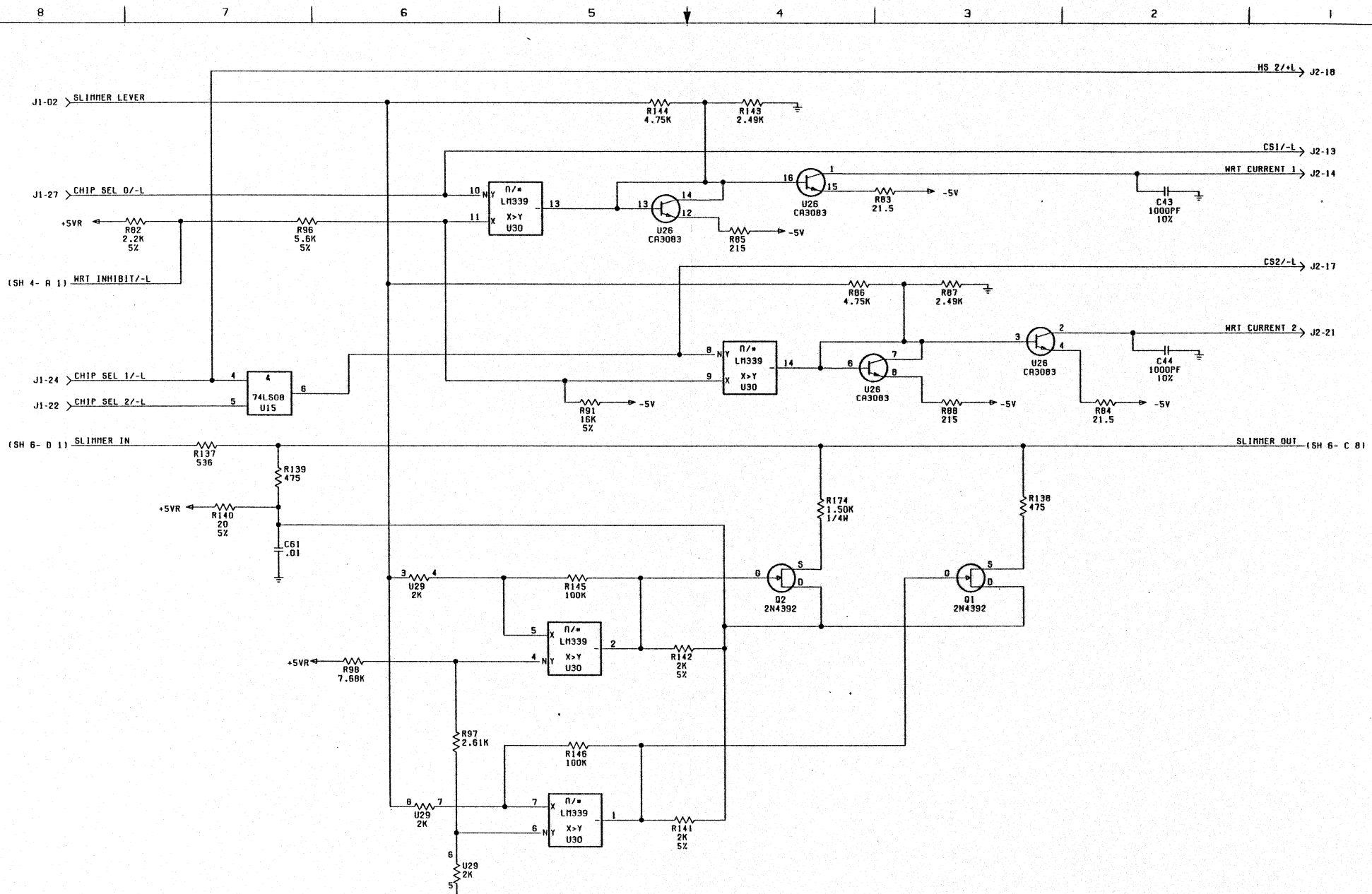
MAGNETIC PERIPHERALS INC. A SUBSIDIARY OF CONTROL DATA CORPORATION OKLAHOMA CITY, OKLAHOMA	DATE	TITLE	SIZE	DRAWING NUMBER	CD	REV
	06/14/84	SCH. ESDI DATA	D	77760610	4	01
DATABASE NAME		MCH.77760610		SHEET 5		

DISTR A23-SC5 1



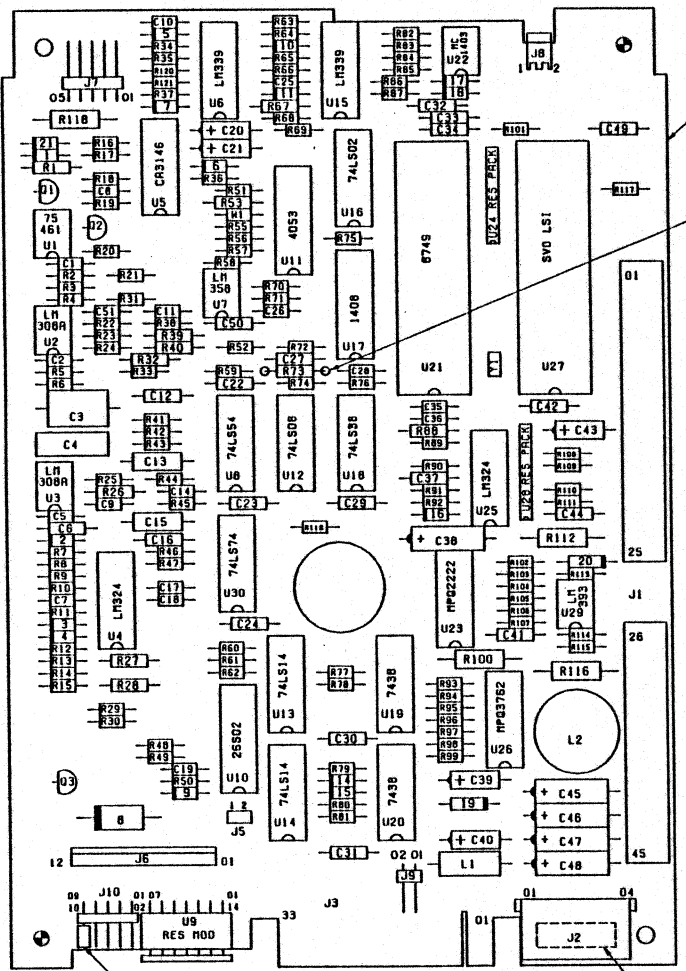
MAGNETIC PERIPHERALS INC. A SUBSIDIARY OF CONTROL DATA CORPORATION OKLAHOMA CITY, OKLAHOMA	DATE	TITLE	SIZE	DRAWING NUMBER	CD	REV
	06/14/84	SCH. ESDI DATA	D	77760610	4	02
OKLAHOMA CITY, OKLAHOMA			SHEET		6	

DISTR A23-SC5 1



MAGNETIC PERIPHERALS INC. A SUBSIDIARY OF CENTRAL DATA CORPORATION OKLAHOMA CITY, OKLAHORA	DATE	TITLE	SIZE	DRAWING NUMBER	CD	REV
	06/14/84	SCH. ESDI DATA	D	77760610	4	02
DATABASE NAME SCH. 77760610			SHEET		7 F	

DISTR A23-SC5 1



- NOTES: (UNLESS OTHERWISE SPECIFIED)
- ASSEMBLE PER 5970H27 . EXCEPT PARAGRAPH 3.8.3 .
 - MAXIMUM COMPONENT HEIGHT 38 EXCEPT ITEM 32 AND L2 TO BE .40 MAXIMUM.
 - MARK ASSEMBLY NO. IN APPROXIMATE LOCATION SHOWN ON BACK (SOLDER) SIDE PER I2A10S9P1.
 - FOR SCHEMATIC DIAGRAM, SEE ITEM I.
 - COMPONENT MARKING WITHOUT ALPHA PREFIX ARE DIODES.
 - SOLID BAND ON DIODES AND VOLTAGE REGULATORS INDICATE CATHODE END.
 - U21 (ITEM 23), U27 (ITEM 19) AND R73 (ITEM 108) TO BE INSTALLED AT PWA TEST.
 - GENERAL WORKMANSHIP PER IOI20300.
 - CLIP PIN O1, FLUSH WITH IC ON U2 AND U3 (ITEM H) PRIOR TO INSTALLATION.

MATERIAL	UNLESS OTHERWISE SPECIFIED DIMENSIONS ARE IN INCHES. TOLERANCES 3-Place 3-Place Angles DO NOT SCALE DRAWING	RODMETIC PERIPHERALS INC. CONSISTENT OF GSD OHLENDORF CITY, OHLENDORF	DYN SUBIE EVANS 7-24-84	TITLE PWA SERVO-5	SIZE DRAWING NUMBER D77760650	CD REV 007
FINISH		REV HREN 11	7-24-84		SCALE 2/1	SHEET 1 OF 2F
			DATA BASE DNO, MREN, 77760670		DISTR R23-RY5 1	

D 77760650-0

RES	PL ITEM
R1	181
R2	142
R3	111
R4	146
R5	142
R6	131
R7	135
R8	140
R9	140
R10	172
R11	144
R12	140
R13	144
R14	167
R15	175
R16	169
R17	162
R18	156
R19	163
R20	168
R21	122
R22	173
R23	138
R24	146
R25	178
R26	104
R27	103
R28	103
R29	160
R30	167
R31	124
R32	179
R33	143
R34	165
R35	159
R36	171
R37	162
R38	138
R39	182
R40	182
R41	139
R42	130
R43	140
R44	110
R45	140
R46	165
R47	145
R48	160
R49	167
R50	141
R51	150
R52	137
R53	182
R54	-
R55	165

RES	PL ITEM
R56	120
R57	120
R58	164
R59	166
R60	183
R61	169
R62	118
R63	170
R64	167
R65	132
R66	121
R67	107
R68	162
R69	180
R70	182
R71	116
R72	117
R73	108
R74	159
R75	148
R76	163
R77	166
R78	166
R79	184
R80	148
R81	156
R82	126
R83	121
R84	121
R85	137
R86	125
R87	121
R88	106
R89	158
R90	112
R91	118
R92	118
R93	157
R94	152
R95	159
R96	152
R97	157
R98	157
R99	166
R100	101
R101	166
R102	147
R103	118
R104	134
R105	158
R106	163
R107	172
R108	162
R109	161
R110	118

RES	PL ITEM
R111	113
R112	100
R113	123
R114	174
R115	167
R116	99
R117	158
R118	87
R119	160
R120	167
R121	172

TSTR	PL ITEM
Q1	43
Q2	49
Q3	41

IND	PL ITEM
L1	65
L2	66

XTAL	PL ITEM
Y1	84
	83

CAP	PL ITEM
C1	84
C2	78
C3	75
C4	87
C5	77
C6	82
C7	93
C8	93
C9	93
C10	93
C11	85
C12	81
C13	83
C14	78
C15	83
C16	94
C17	80
C18	93
C19	91
C20	70
C21	67
C22	94
C23	94
C24	94
C25	93
C26	91
C27	94
C28	89
C29	94
C30	94
C31	94
C32	94
C33	94
C34	94
C35	76
C36	90
C37	94
C38	74
C39	67
C40	71
C41	94
C42	94
C43	68
C44	94
C45	72
C46	69
C47	69
C48	72
C49	94
C50	94
C51	93

CONN	PL ITEM
J1	53
	54
J2	55
J3	-
J4	-
J5	57
J6	59
J7	58
J8	60
J9	61
J10	62

JUMP	PL ITEM
W1	184

IC	PL ITEM
U1	5
U2	11
U3	11
U4	8
U5	26
U6	6
U7	12
U8	16
U9	32
	28
U10	24
U11	22
U12	10
U13	8
U14	8
U15	6
U16	15
U17	18
U18	14
U19	17
U20	17
U21	33
	23
U22	13
U23	25
U24	30
U25	9
U26	27
	33
U27	19
U28	31
U29	7
U30	21

DIO	PL ITEM
CR1	35
CR2	35
CR3	35
CR4	36
CR5	35
CR6	35
CR7	35
CR8	34
CR9	35
CR10	35
CR11	35
CR12	-
CR13	-
CR14	35
CR15	35
CR16	35
CR17	35
CR18	35
CR19	38
CR20	38
CR21	35

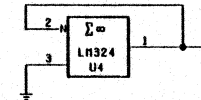
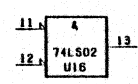
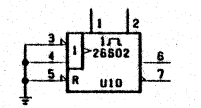
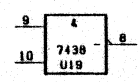
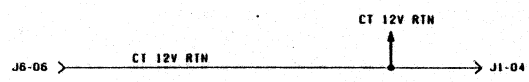
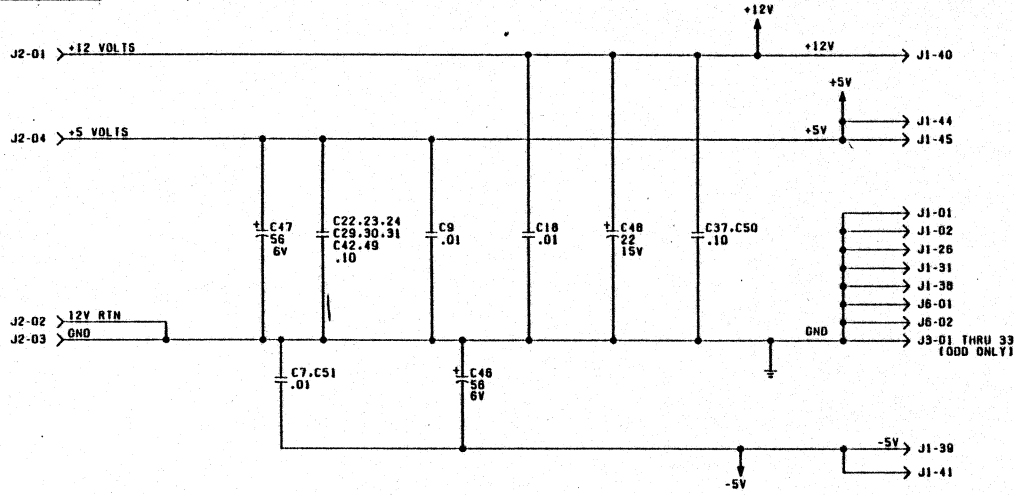
PROMETIC PERIPHERALS INC. A SUBSIDIARY OF CONTROL DATA CORPORATION OKLAHOMA CITY, OKLAHOMA	DATE 07-24-84	TITLE PWA.SERVO-5	SIZE D 77760650	CD REV 008
	DATABASE NAME DDD.MCH.77760650			SHEET 2 F

DISTR A23-RYS 1

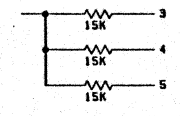
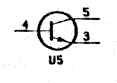
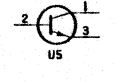
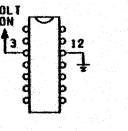
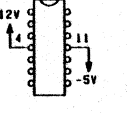
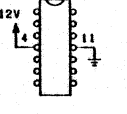
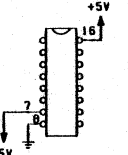
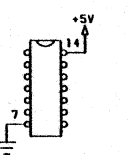
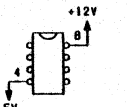
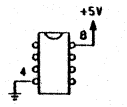
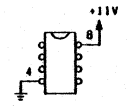
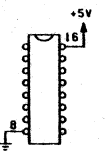
D 77760650-0

REV. NO.	CD	STATUS	REVISION

SHEET REVISION STATUS					REVISION RECORD				
REV	BY	DATE	REV	BY	DATE	REV	BY	DATE	REV
01	01	01	04	02	01	04	01	04	01
01	KLBS	L	RELEASE						JUL 27 1964
02	PL66031	B. FURR	LC						NOV 5 1964
03	PL66089	B. FURR	LC						NOV 1 1964
04	PL66135	B. FURR	LC						NOV 15 1964



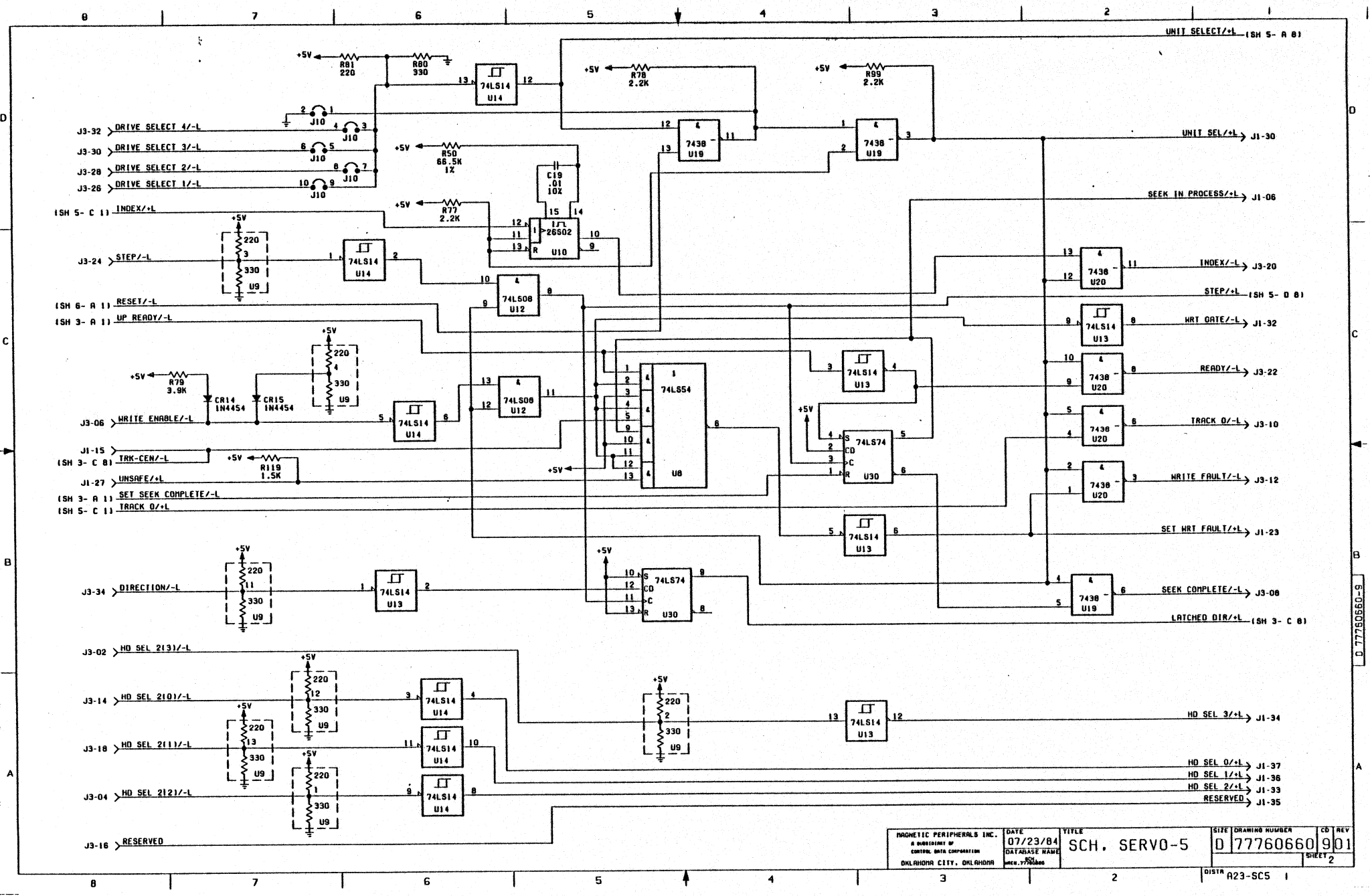
- NOTES: (UNLESS OTHERWISE SPECIFIED)
1. DRAWING INTERPRETATION PER 43A226599
 2. CAPACITOR VALUES ARE IN MICROFARADS +80-20%
 3. RESISTOR VALUES ARE IN OHMS, 1/8W, ±5%
 4. RESISTORS 1W AND GREATER ARE FLAME PROOF.
 5. RESISTOR PACKS (SIPS) ARE ±2%
 6. ELECTROLYTIC CAPACITOR VALUES IN MICROFARADS ±20%.



U8, 9, 12, 13, 14, 16, 18, 19, 20, 30

MATERIAL	MEAS DIMENSIONS SPECIFIED DIMENSIONS ARE IN INCHES. TOLERANCES 3-PLACE 2-PLACE ANGLES 0	TRONOMETIC PERIPHERALS INC. A DIVISION OF GEORGETOWN DATA CORPORATION OAKLAND, CALIF. OAKLAND, CALIF.	DWN	TDWH	07/23/64	TITLE	SIZE	DRAWING NUMBER	CD	REV
FINISH	DO NOT SCALE DRAWING	9415	CHD	D. COLEMAN	07/21/64	SCH SERVO-5	D	77760660	9	04
			ENGR	J. BERNHART	07/21/64		SCALE	NONE	SHEET	1 of 7
			MFG							
			DATA BASE	SCH. NBR.	77760660					

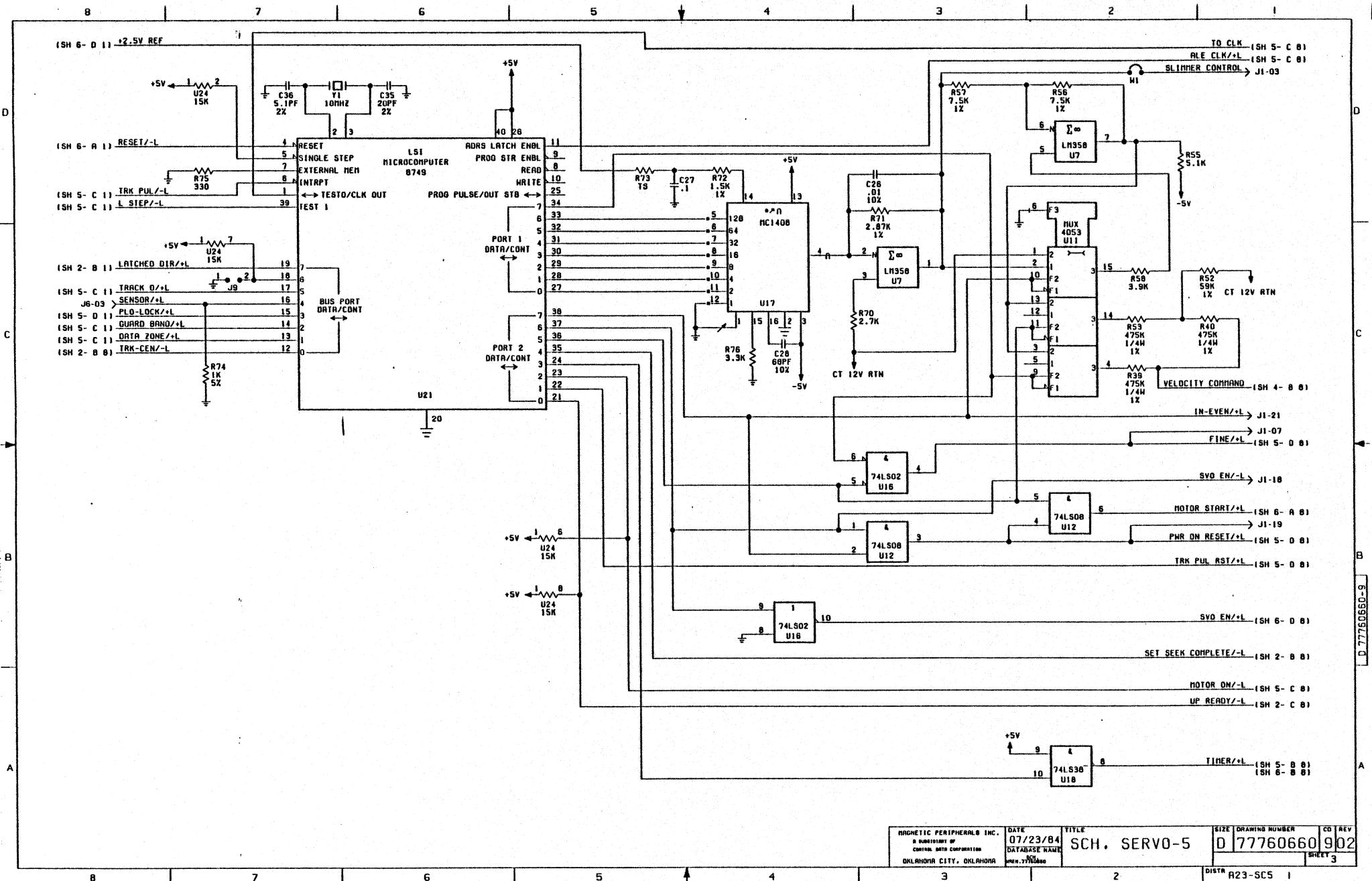
D 77760660-9



MAGNETIC PERIPHERALS INC. A DIVISION OF CONTROL DATA CORPORATION OKLAHOMA CITY, OKLAHOMA	DATE 07/23/84 DATEBASE WASTE REV. 775000	TITLE SCH. SERVO-5	SIZE D	DRAWING NUMBER 77760660	CD REV 901
---	---	-----------------------	-----------	----------------------------	---------------

DIST# A23-SC5 1

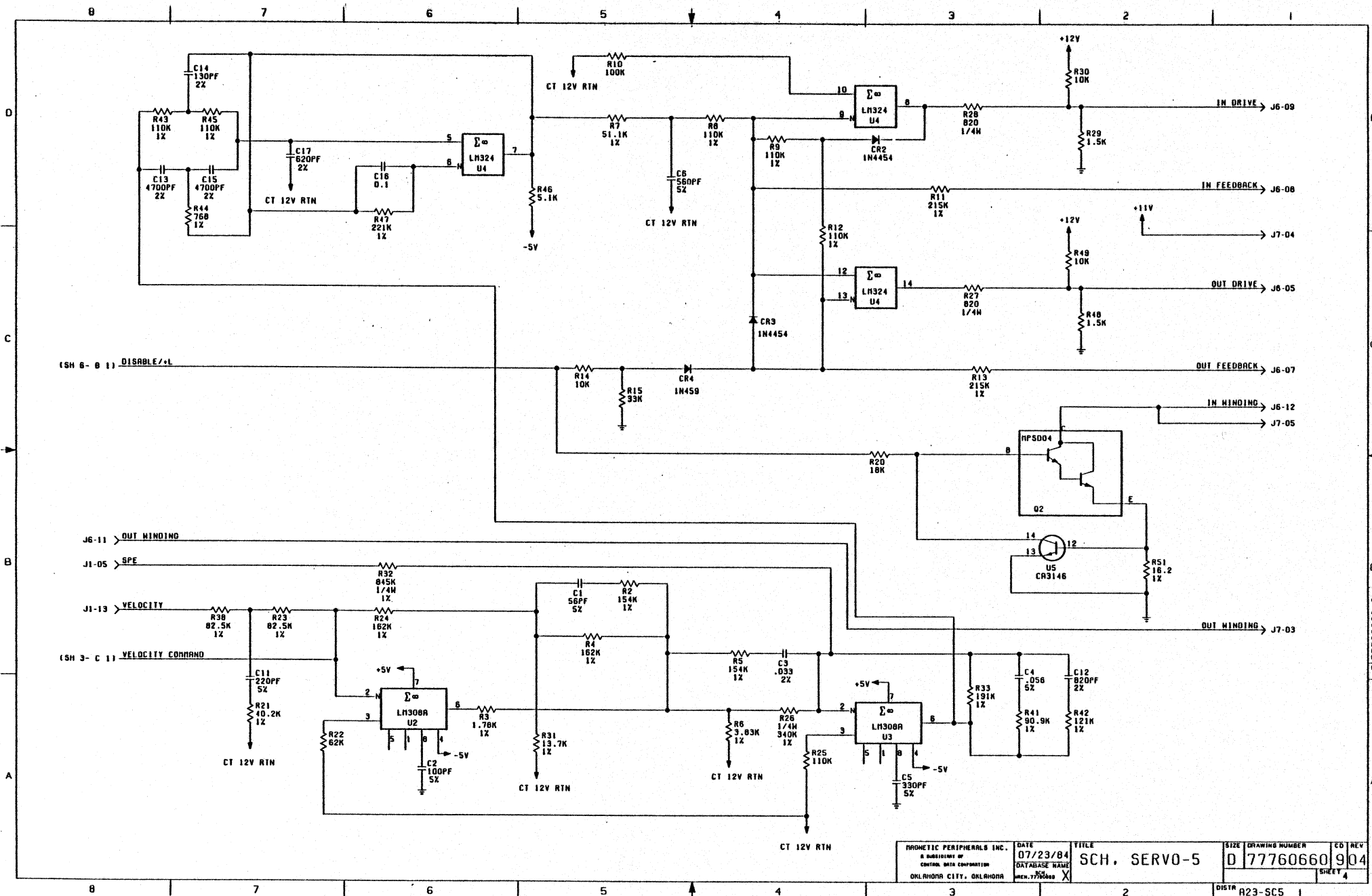
D. 77760660-9



MAGNETIC PERIPHERALS INC. A SUBSIDIARY OF CONRAD DATA CORPORATION OKLAHOMA CITY, OKLAHOMA	DATE 07/23/84 DATABASE NAME SERV-5	TITLE SCH. SERVO-5	SIZE D	DRAWING NUMBER 77760660	CD 9	REV 02
--	---	-----------------------	-----------	----------------------------	---------	-----------

DIST# A23-SC5 1 SHEET 3

D 77760660-9



MAGNETIC PERIPHERALS INC. A DIVISION OF CONTROL DATA CORPORATION OKLAHOMA CITY, OKLAHOMA	DATE 07/23/84 DATABASE NAME MCH-7760660	TITLE SCH, SERVO-5	SIZE D 77760660	CD 904	REV 1
---	--	-----------------------	--------------------	-----------	----------

DISTR A23-SC5 1 SHEET 4

D177760660-9

ISH 3- B 1) PHR ON RESET/+L

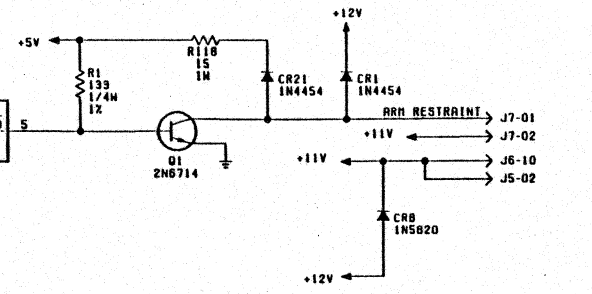
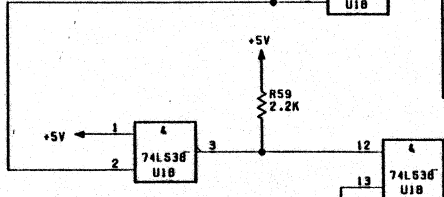
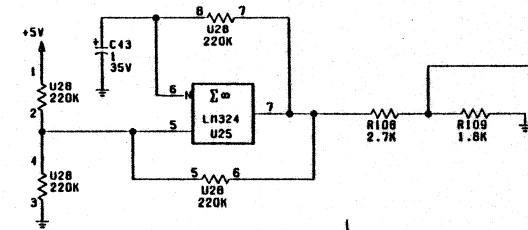
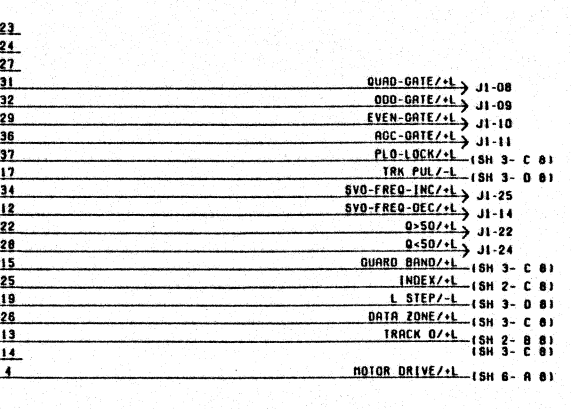
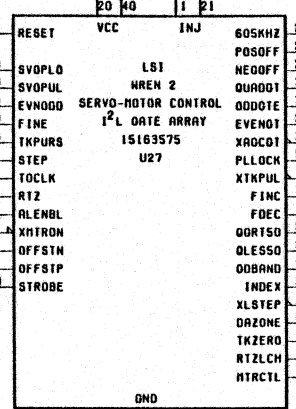
J1-20 > SVD PLO/+L
J1-17 > SERVO PULSE/+L
J1-16 > EVEN-ODD/+L

ISH 3- B 1) FINE/+L
ISH 3- B 1) TRK PUL RST/+L
ISH 2- C 1) STEP/+L
ISH 3- D 1) TO CLK

ISH 3- D 1) ALE CLK/+L
ISH 3- A 1) MOTOR ON/-L

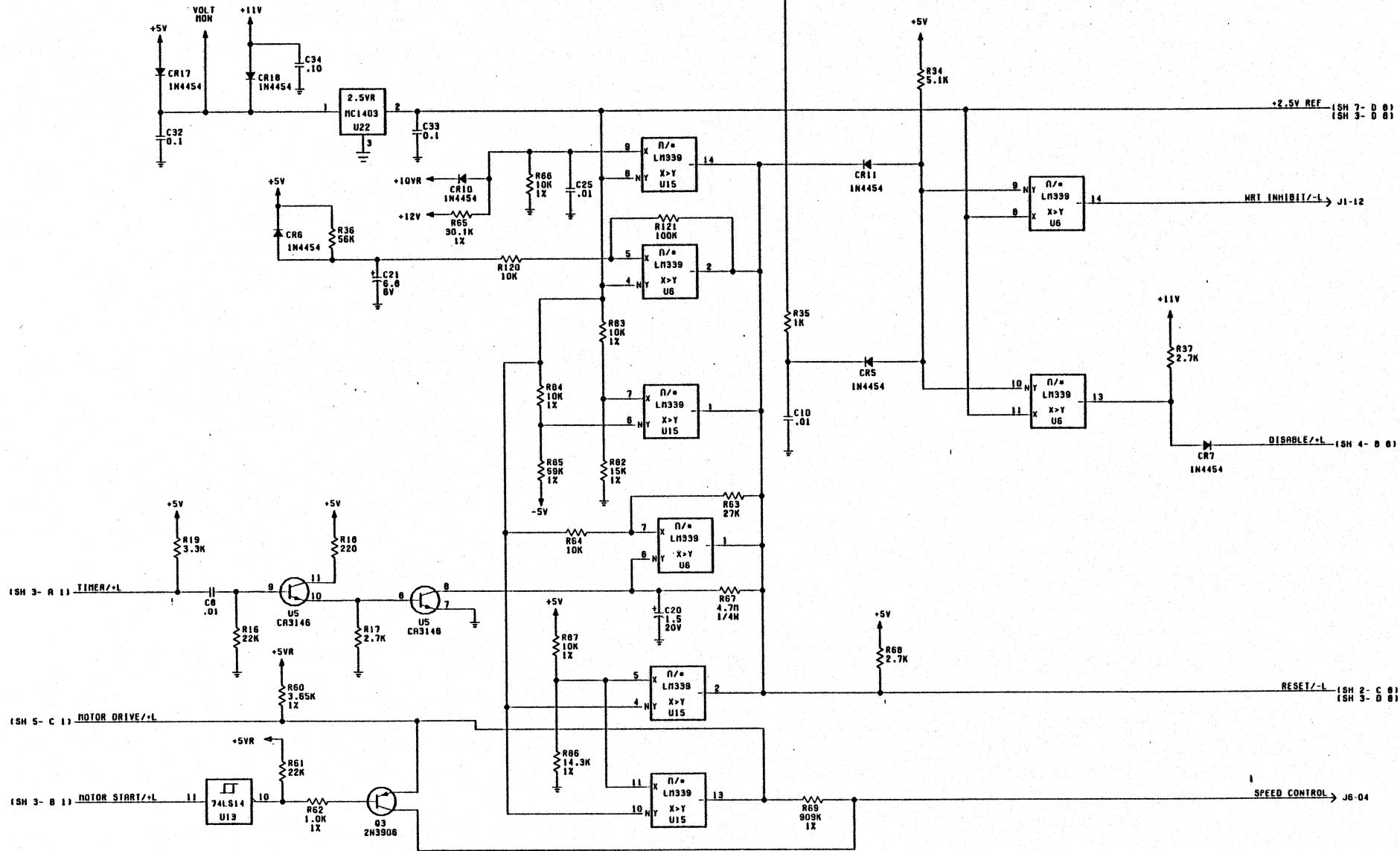
ISH 3- A 1) TIMER/+L

ISH 2- D 1) UNIT SELECT/+L



MAGNETIC PERIPHERALS INC. A DIVISION OF CONTROL DATA CORPORATION OKLAHOMA CITY, OKLAHOMA	DATE 07/23/84 DATABASE NAME SCH. SERV-5	TITLE SCH. SERV-5	SIZE D	DRAWING NUMBER 77760660-9	CD REV 901
---	--	----------------------	-----------	------------------------------	------------------

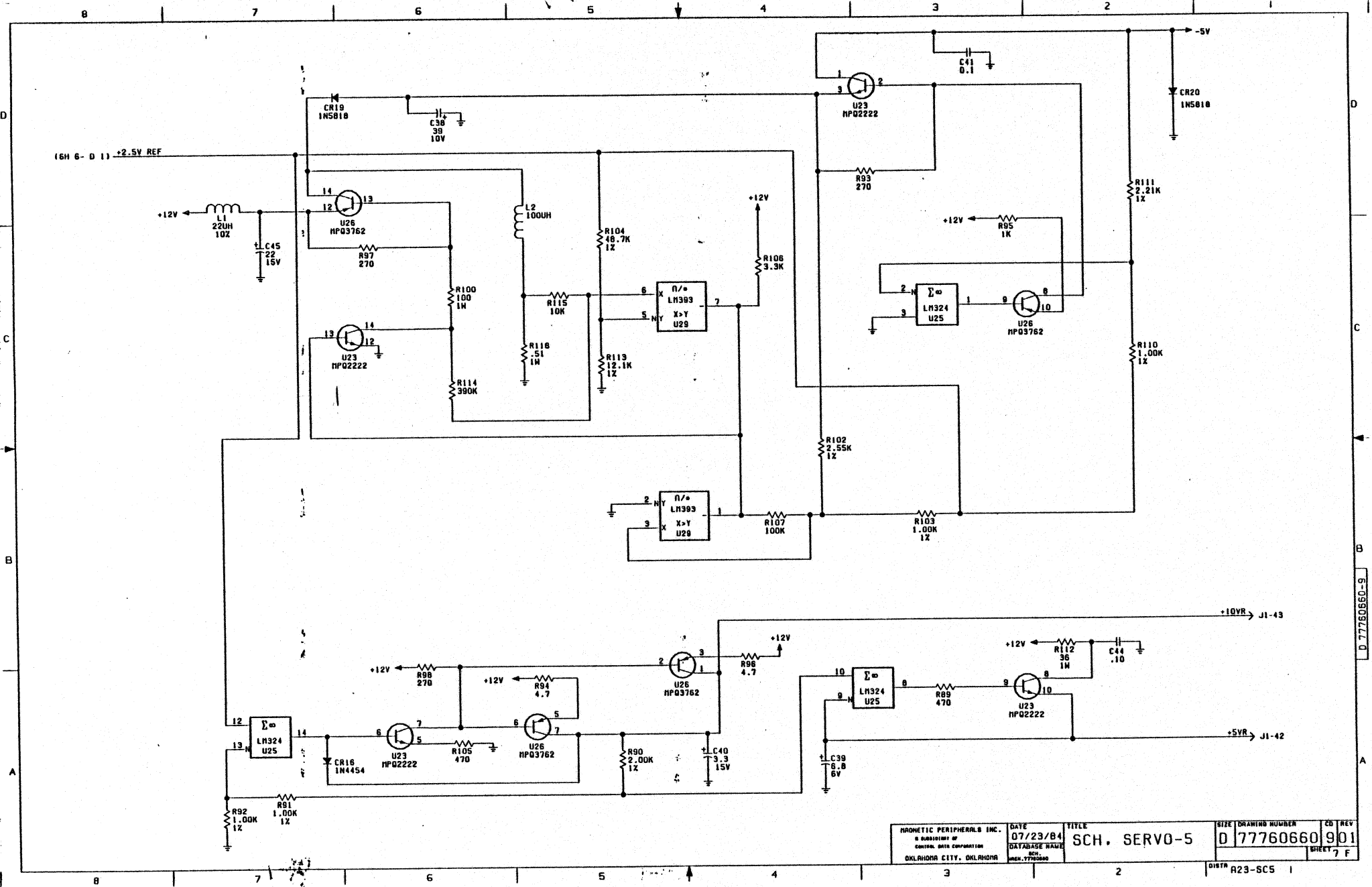
(SH 3- B 1) SV0 EN/L



MAGNETIC PERIPHERALS INC. A SUBSIDIARY OF CENTRAL DATA CORPORATION OKLAHOMA CITY, OKLAHOMA	DATE 07/23/84	TITLE SCH. SERVO-5	SIZE D	DRAWING NUMBER 77760660	CD REV 901
	DRAWN BY MEL-77760660		CHECKED 6		

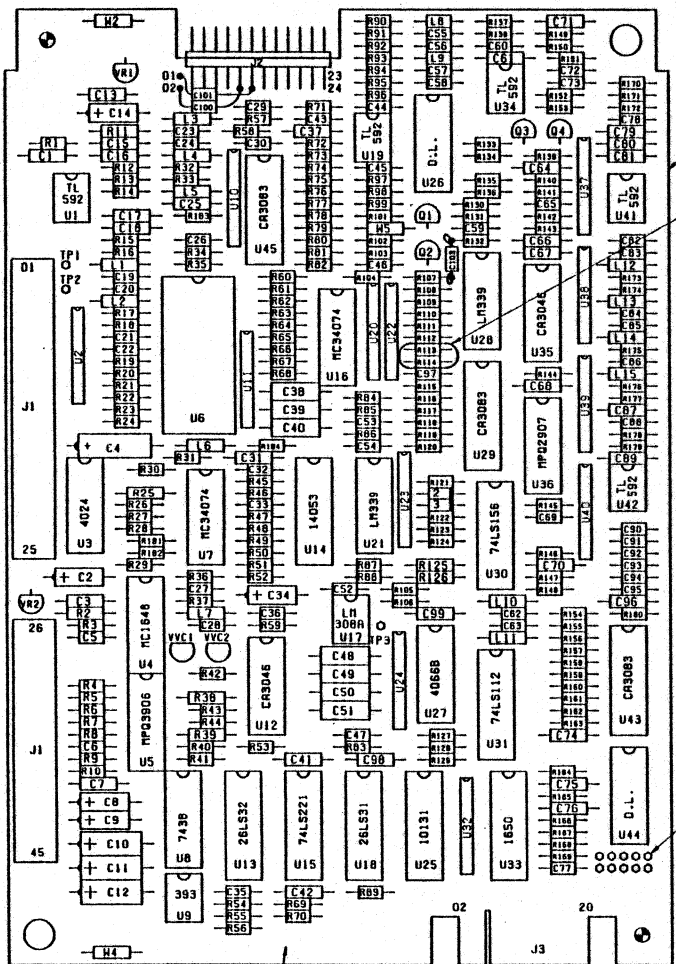
DISTR A23-SC5 1

D 77760660-9



MAGNETIC PERIPHERALS INC. A SUBSIDIARY OF CONTROL DATA CORPORATION OKLAHOMA CITY, OKLAHOMA	DATE 07/23/84	TITLE SCH. SERVO-5	SIZE D 77760660	CD REV 901
	DBS MEX. 776060	SHEET 7 F	DISTN A23-SC5 1	

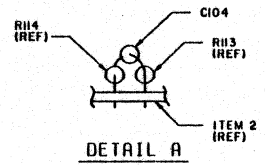
D 77760660-9



VERIFY CONNECTIONS

FROM	TO
C100-W	GND
C100-E	J2-10
C101-W	GND
C101-E	J2-12
C103-N	GND
C103-S	U28-02
C104-E	U28-01
C104-W	GND

SEE DETAIL A



- NOTES: (UNLESS OTHERWISE SPECIFIED)
- ASSEMBLE PER 5970H27, EXCEPT PARAGRAPH 3.8.3.
 - MAXIMUM COMPONENT HEIGHT .30 EXCEPT J1: 0.31 AND ITEM 168: 0.25.
 - MARK ASSEMBLY NO. IN APPROXIMATE LOCATION SHOWN PER 12A1099PI.
 - FOR SCHEMATIC DIAGRAM, SEE ITEM 1.
 - COMPONENT MARKING WITHOUT ALPHA PREFIX ARE DIODES.
 - SOLID BAND ON DIODES AND VOLTAGE REGULATORS INDICATE CATHODE END.
 - GENERAL WORKMANSHIP PER 10120300.

(66) (13)

MATERIAL	UNLESS OTHERWISE SPECIFIED DIMENSIONS ARE IN INCHES. TOLERANCES	3-PLACE 2-PLACE ANGLES	DO NOT SCALE DRAWING	MAGNETIC PERIPHERALS INC. A Subsidiary of DATA CORP. OKLAHOMA CITY, OKLAHOMA WREN II	DWN SUSIE EVANS 08-21-84 CHK'D COLEMAN 8-21-84 ENGR'S DENHEIMER 8-21-84	TITLE PWA DATA-5	SIZE D 77761580	CD REV 8 04
				DATA BASE DWO.HREN.77761580			SCALE 2/1	SHEET 1 of 2
							DISTR A23-RY5	

D 77761580-8

RES	PL ITEM
R1	140
R2	103
R3	151
R4	142
R5	115
R6	115
R7	120
R8	125
R9	143
R10	153
R11	193
R12	131
R13	131
R14	197
R15	114
R16	114
R17	113
R18	113
R19	146
R20	185
R21	157
R22	145
R23	119
R24	114
R25	162
R26	161
R27	102
R28	160
R29	186
R30	129
R31	126
R32	136
R33	136
R34	137
R35	144
R36	130
R37	150
R38	164
R39	158
R40	211
R41	149
R42	147
R43	149
R44	151
R45	157
R46	155
R47	184
R48	184
R49	154
R50	148
R51	182
R52	130
R53	136
R54	153
R55	153

RES	PL ITEM
R56	188
R57	153
R58	153
R59	147
R60	144
R61	130
R62	130
R63	133
R64	130
R65	156
R66	152
R67	130
R68	165
R69	116
R70	105
R71	218
R72	139
R73	167
R74	167
R75	121
R76	167
R77	167
R78	146
R79	123
R80	123
R81	149
R82	121
R83	132
R84	133
R85	185
R86	185
R87	186
R88	165
R89	142
R90	180
R91	180
R92	117
R93	117
R94	121
R95	121
R96	139
R97	104
R98	120
R99	109
R100	-
R101	163
R102	207
R103	208
R104	121
R105	186
R106	156
R107	207
R108	202
R109	196
R110	167

RES	PL ITEM
R111	201
R112	167
R113	198
R114	167
R115	203
R116	206
R117	203
R118	204
R119	206
R120	204
R121	188
R122	190
R123	192
R124	152
R125	164
R126	164
R127	153
R128	154
R129	154
R130	209
R131	122
R132	122
R133	120
R134	154
R135	122
R136	210
R137	139
R138	181
R139	127
R140	120
R141	139
R142	127
R143	120
R144	128
R145	134
R146	114
R147	120
R148	120
R149	142
R150	118
R151	118
R152	122
R153	122
R154	138
R155	138
R156	106
R157	125
R158	120
R159	106
R160	107
R161	125
R162	112
R163	112
R164	190
R165	190

RES	PL ITEM
R166	139
R167	147
R168	147
R169	187
R170	115
R171	115
R172	111
R173	163
R174	163
R175	214
R176	110
R177	110
R178	197
R179	139
R180	108
R181	124
R182	166
R183	153
R184	147

CAP	PL ITEM
C1	77
C2	95
C3	77
C4	96
C5	75
C6	75
C7	77
C8	94
C9	95
C10	96
C11	96
C12	96
C13	77
C14	174
C15	77
C16	77
C17	77
C18	77
C19	78
C20	83
C21	75
C22	99
C23	176
C24	177
C25	77
C26	92
C27	75
C28	75
C29	99
C30	100
C31	76
C32	81
C33	87
C34	93
C35	99
C36	91
C37	77
C38	90
C39	90
C40	90
C41	77
C42	77
C43	75
C44	75
C45	99
C46	75
C47	86
C48	88
C49	88
C50	88
C51	88
C52	79
C53	85
C54	82
C55	78

CAP	PL ITEM
C56	80
C57	99
C58	99
C59	89
C60	171
C61	77
C62	84
C63	82
C64	77
C65	74
C66	77
C67	76
C68	77
C69	75
C70	77
C71	77
C72	99
C73	99
C74	77
C75	77
C76	77
C77	75
C78	99
C79	77
C80	77
C81	77
C82	99
C83	99
C84	171
C85	217
C86	216
C87	77
C88	99
C89	77
C90	89
C91	89
C92	99
C93	99
C94	75
C95	75
C96	77
C97	89
C98	77
C99	77
C100	77
C101	77
C102	-
C103	89
C104	89

IC	PL ITEM
U1	17
U2	42
U3	9
U4	5
U5	12
U6	24
U7	15
U8	19
U9	18
U10	36
U11	44
U12	13
U13	29
U14	7
U15	25
U16	15
U17	27
U18	28
U19	17
U20	37
U21	16
U22	39
U23	39
U24	40
U25	21
U26	30
U27	8
U28	16
U29	14
U30	23
U31	26
U32	35
U33	6
U34	17
U35	13
U36	11
U37	43
U38	31
U39	36
U40	38
U41	17
U42	17
U43	14
U44	30
U45	14

IND	PL ITEM
L1	59
L2	59
L3	56
L4	56
L5	60
L6	61
L7	54
L8	57
L9	57
L10	60
L11	60
L12	54
L13	54
L14	56
L15	56

TSTR	PL ITEM
D1	52
D2	52
D3	52
D4	52

VARI CAP	PL ITEM
VVC1	49
VVC2	49

VOLT REG	PL ITEM
VR1	51
VR2	53

JUMP	PL ITEM
W1	-
W2	194
W3	-
W4	194
W5	194

CONN	PL ITEM
J1	66
J2	67
J3	68

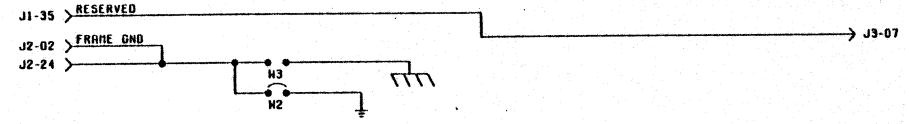
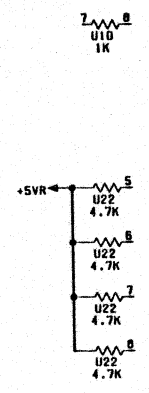
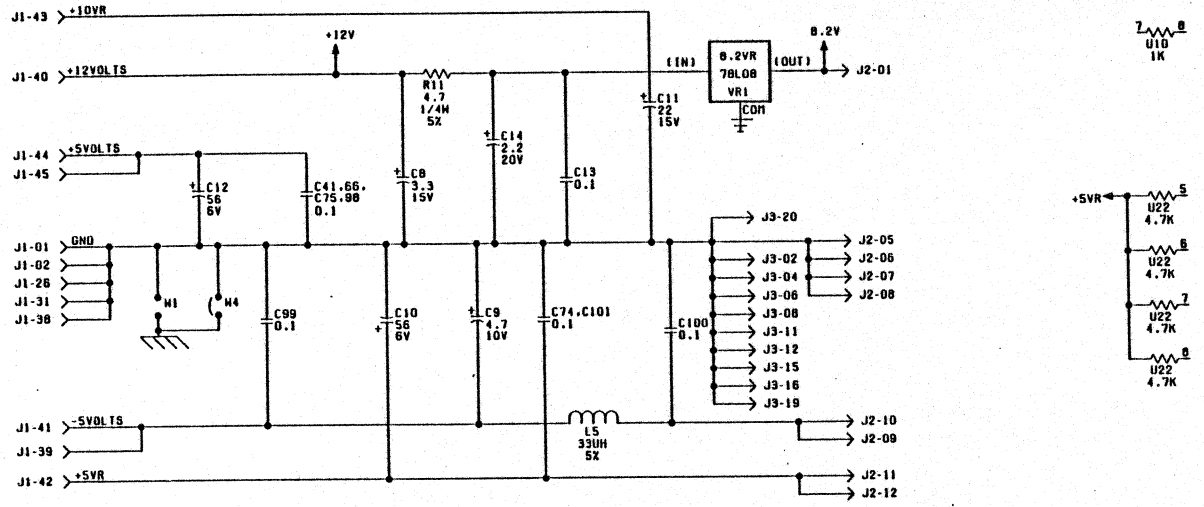
DIO	PL ITEM
CR1	-
CR2	50
CR3	50

MAGNETIC PERIPHERALS INC. A SUBSIDIARY OF CENTRAL DATA CORPORATION OKLAHOMA CITY, OKLAHOMA	DATE 09-21-84	TITLE PWA.DATA-5	SIZE D	DRAWING NUMBER 77761580	CO 8	REV 04
	DATE PLACED IN DRAWING FILE NOV. 27 1984					SHEET 2 F

DIST A23-A5 1

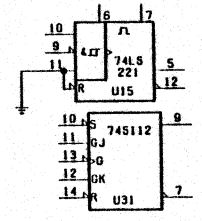
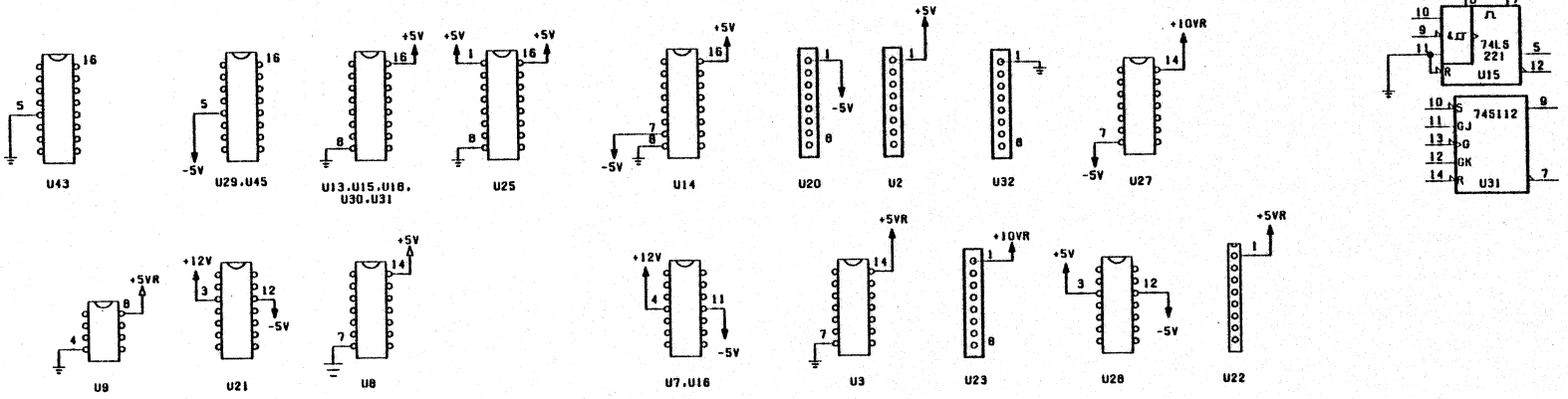
D 77761580-B

SHEET REVISION STATUS					REVISION RECORD			
REV	REV	DATE	BY	CHKD	REV	DATE	BY	CHKD
01	01	01	01	01	01	04	04	04
02	01	01	01	01	02	01	01	01
03	01	01	01	01	03	01	01	01
04	01	01	01	01	04	01	01	01

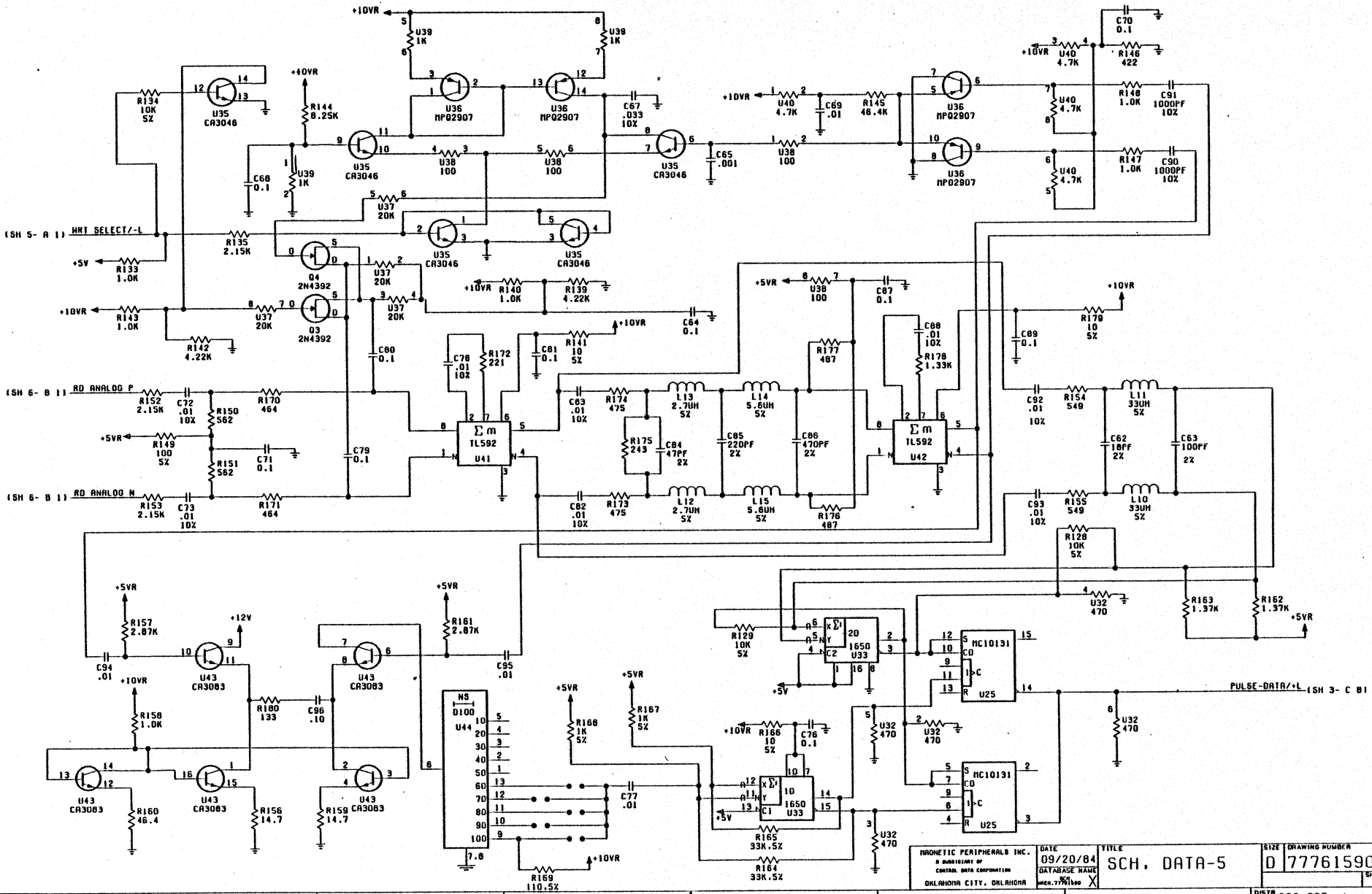


NOTES: (UNLESS OTHERWISE SPECIFIED)
 1. DRAWING INTERPRETATION PER 43A226599
 2. RESISTOR VALUES ARE IN OHMS, 1/8W 1% UNLESS INDICATED
 3. CAPACITOR VALUES ARE IN MICROFARADS, UNLESS INDICATED

SPARES

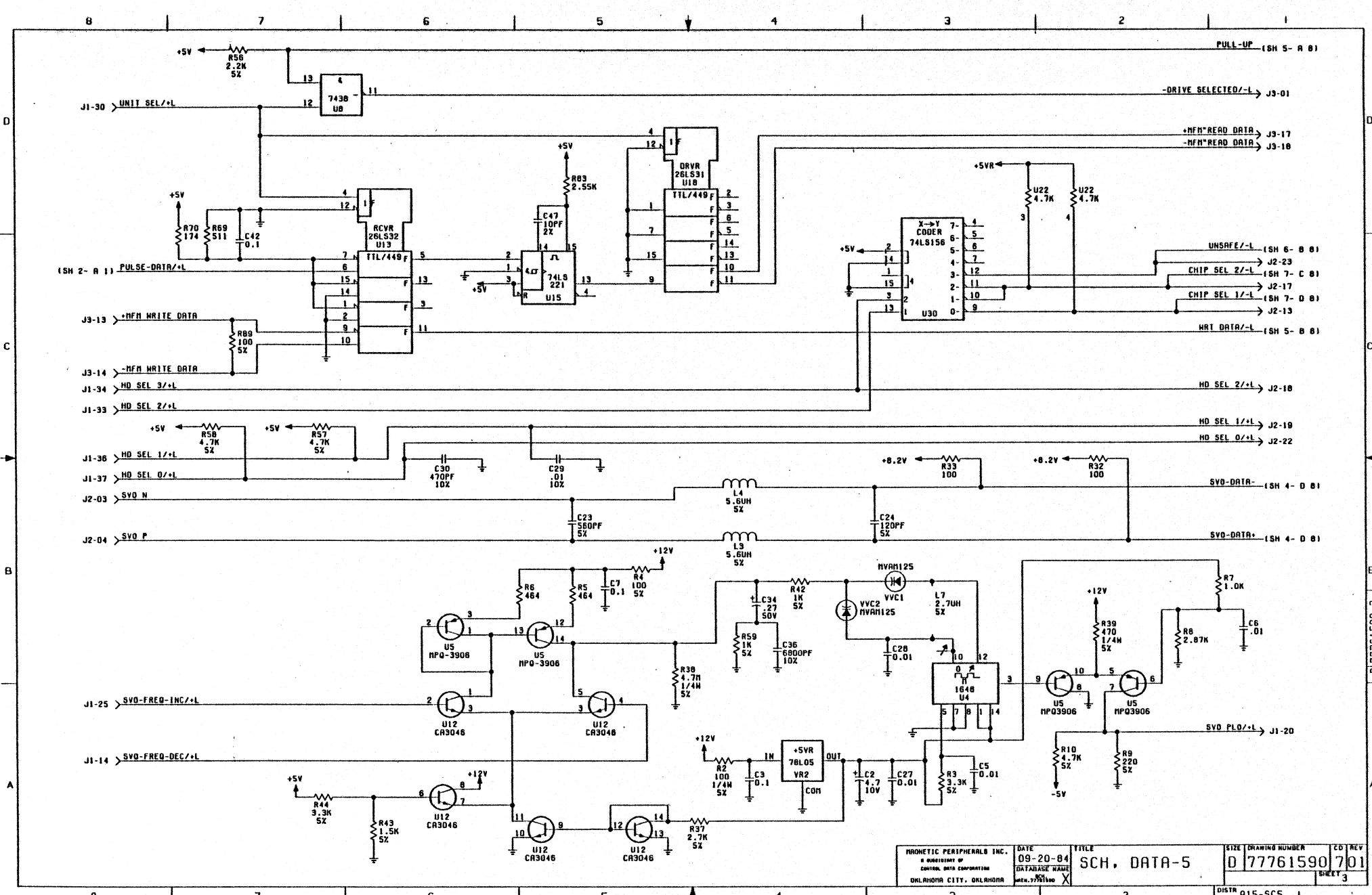


MATERIAL	UNLESS OTHERWISE SPECIFIED DIMENSIONS ARE IN INCHES.	MAGNETIC PERIPHERALS INC.	OWN	BOB FURR	08/20/84	TITLE	SIZE	DRAWING NUMBER	CD	REV
FINISH	3-PLATE 2-PLATE	CONTROL DATA CORPORATION	CHKD	D. COLEMAN	9/21/84	SCH. DATA-5	D	77761590	7	04
	DO NOT SCALE DRAWING	OKLAHOMA CITY, OKLAHOMA	ENGR	D. DENHEIMER	9/21/84		SCALE	NONE	SHEET	1 of 7
		WREN II	MFG							
			DATA BASE	SCH. WREN. 77761590						

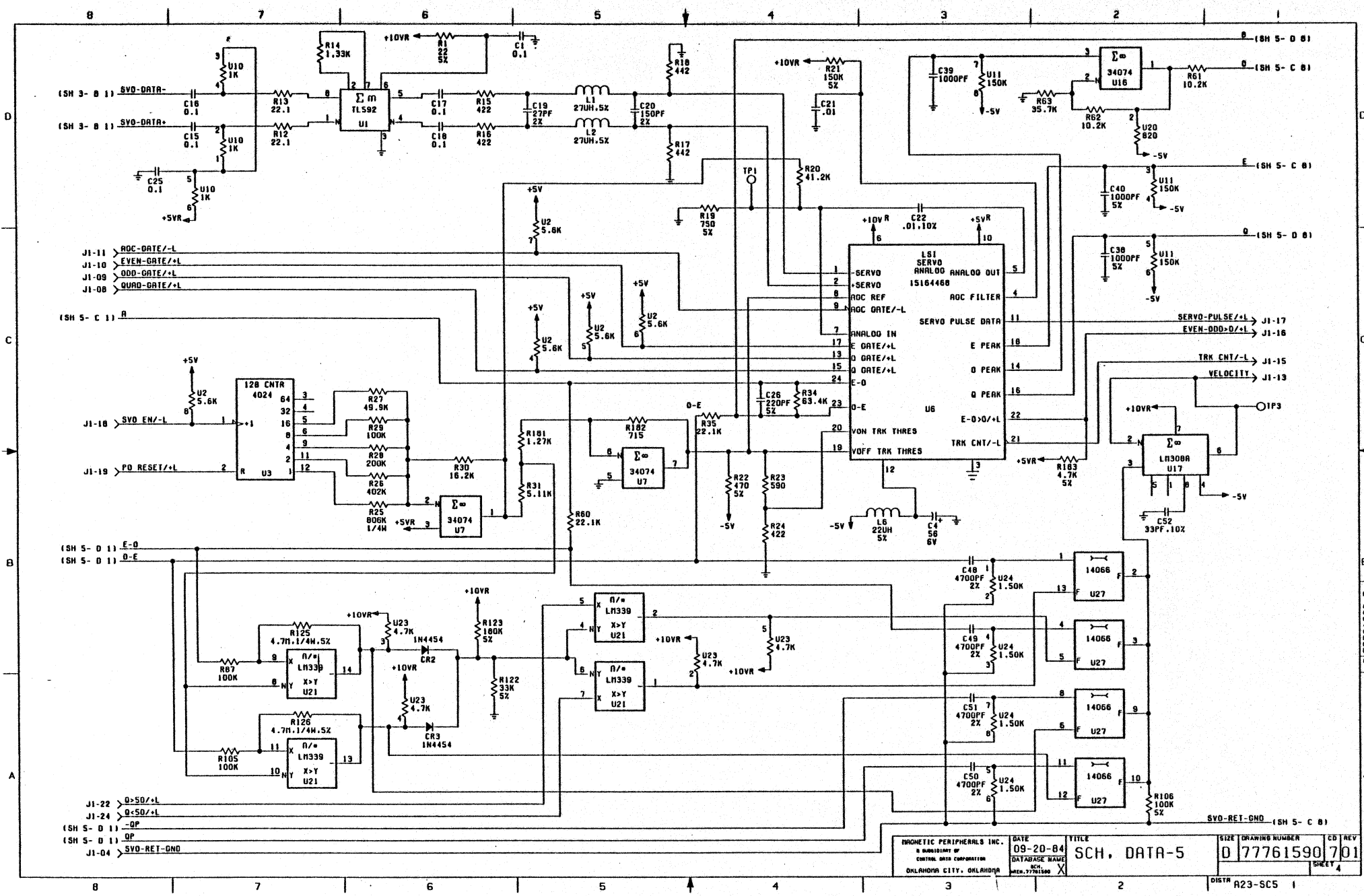


MAGNETIC PERIPHERALS INC. A SUBSIDIARY OF CENTRAL DATA CORPORATION OKLAHOMA CITY, OKLAHOMA	DATE	09/20/84	TITLE	SCH. DATA-5	SIZE	DRAWING NUMBER	CD REV
	DESIGNED BY	WALDE	REV.	7/1/80	D	77761590	704
					DISTR	A23-SC5 1	SHEET 2

D 77761590-7



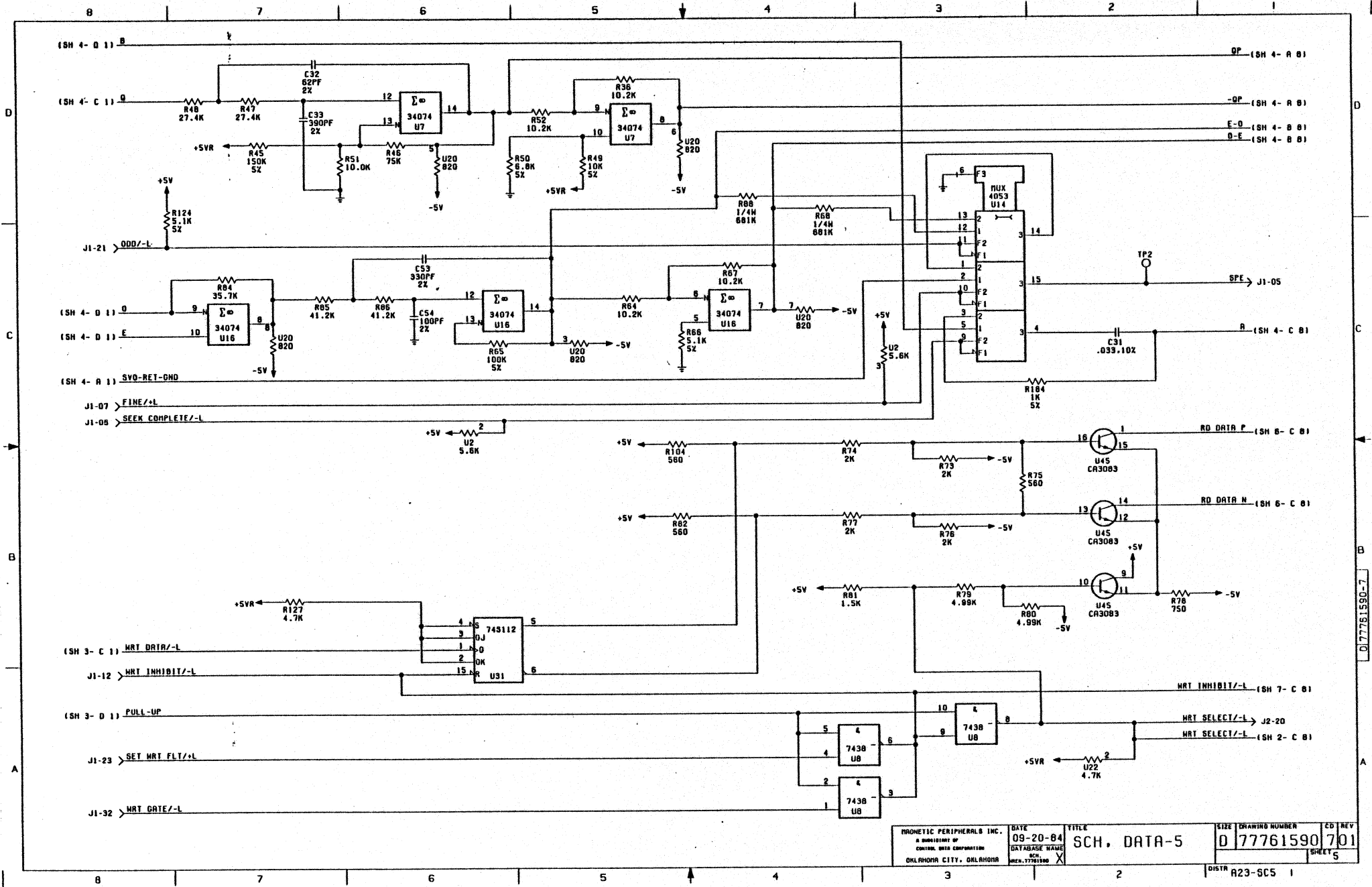
MAGNETIC PERIPHERALS INC. A DIVISION OF CONTROL DATA CORPORATION OKLAHOMA CITY, OKLAHOMA	DATE 09-20-84	TITLE SCH. DATA-5	SIZE D	DRAWING NUMBER 77761590	CD 701	REV 3
	DISTA R15-SCS 1		SHEET 3			



MAGNETIC PERIPHERALS INC. A DIVISION OF CONTROL DATA CORPORATION OKLAHOMA CITY, OKLAHOMA	DATE	TITLE	SIZE	DRAWING NUMBER	CD	REV
	09-20-84	SCH. DATA-5	D	77761590	701	
L6 MCH. 77761590			SHEET 4			

DISTR A23-SC5 1

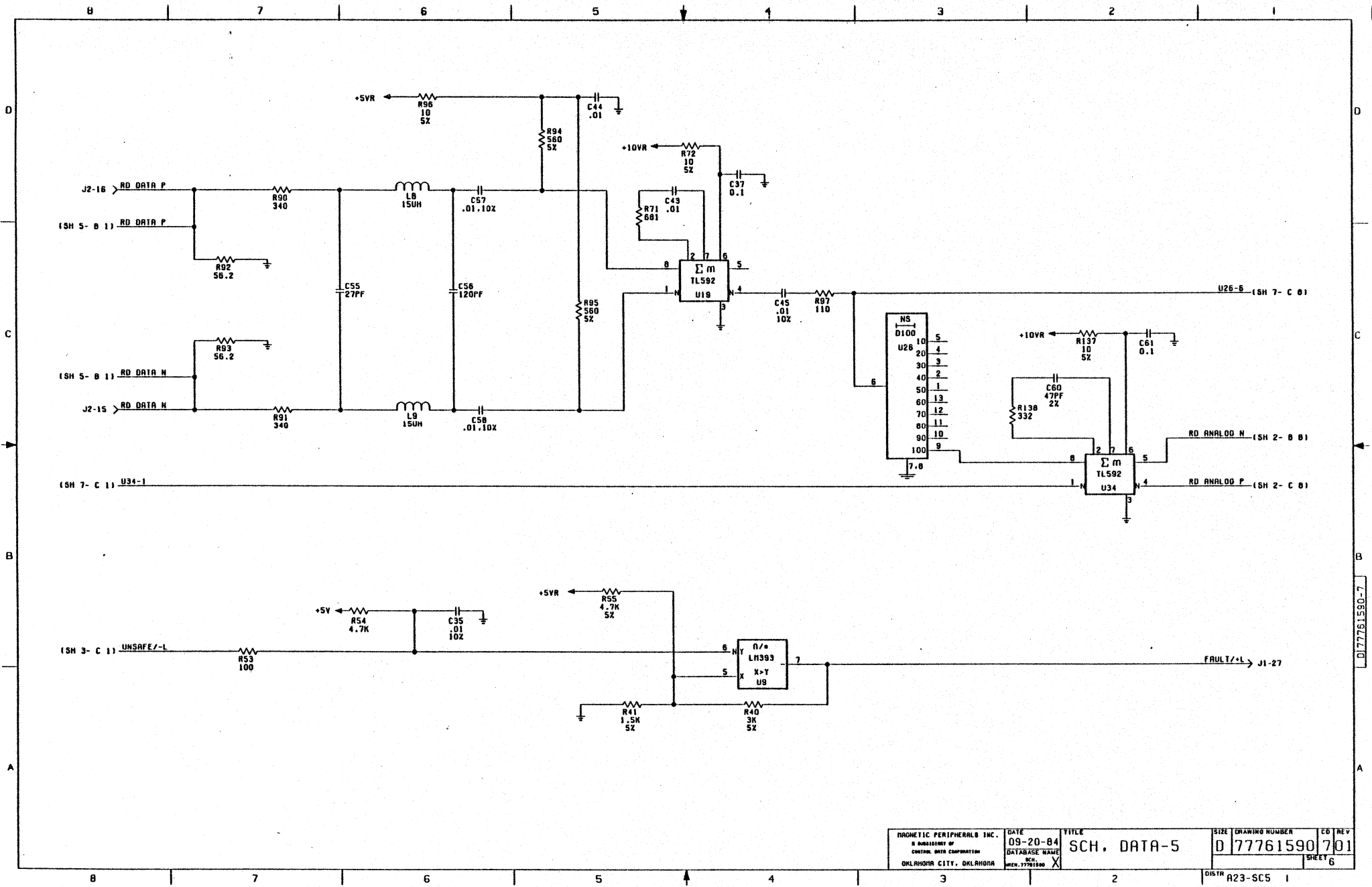
D:77761590-7



MAGNETIC PERIPHERALS INC. A DIVISION OF CONTROL DATA CORPORATION OKLAHOMA CITY, OKLAHOMA	DATE 09-20-84 DATABASE NAME SCH. DATA-5 REV. 10	TITLE SCH. DATA-5	SIZE 0	DRAWING NUMBER 77761590	CD REV 701
---	--	----------------------	-----------	----------------------------	---------------

DISTR A23-SC5 1

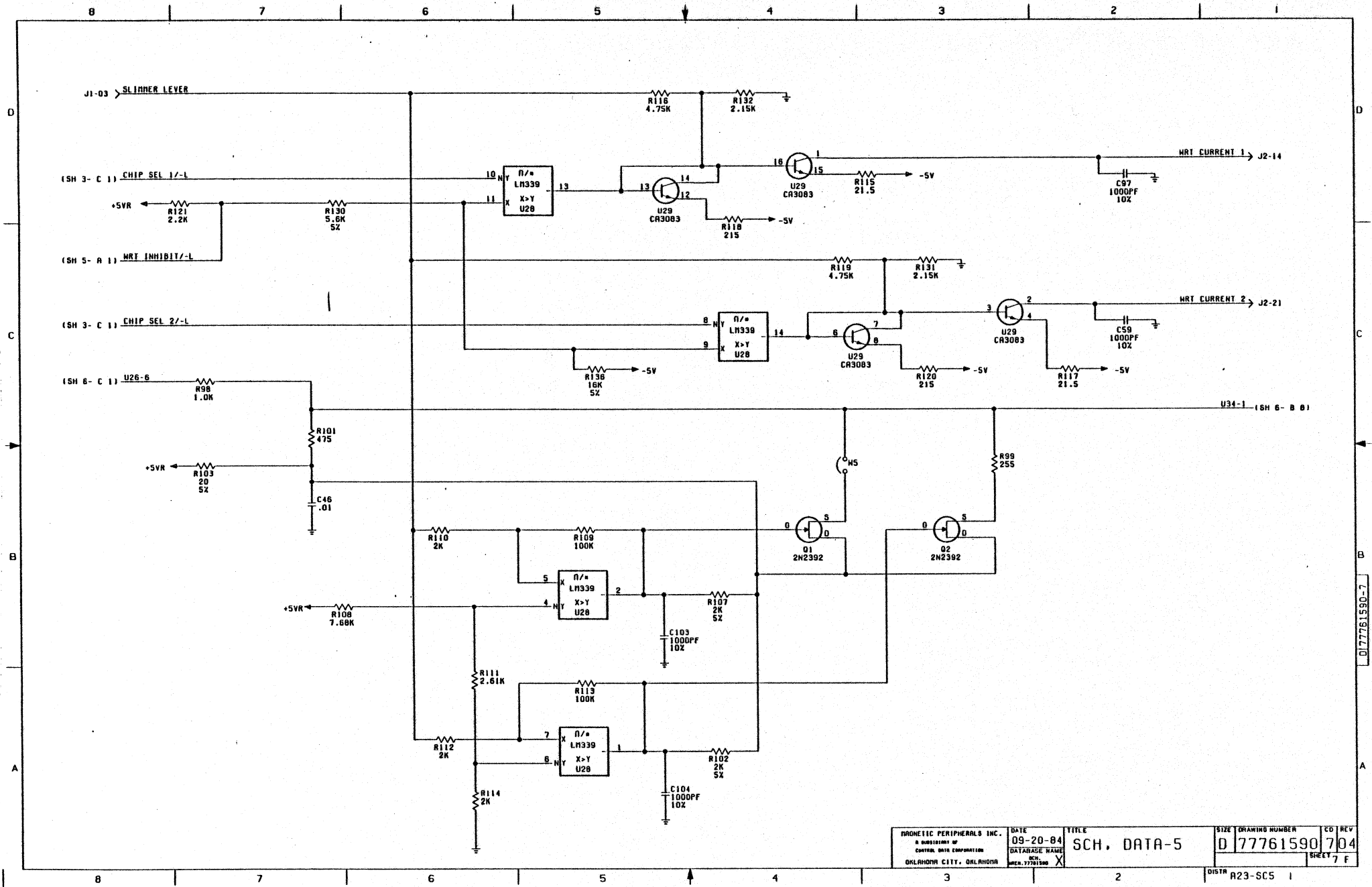
D:77761590-7



MAGNETIC PERIPHERALS INC. A DIVISION OF CENTRAL DATA CORPORATION OKLAHOMA CITY, OKLAHOMA	DATE	TITLE	SIZE	DRAWING NUMBER	CD	REV
	09-20-84	SCH. DATA-5	D	77761590	7	01
	DB				SHEET 6	

DISTR A23-SC5 1

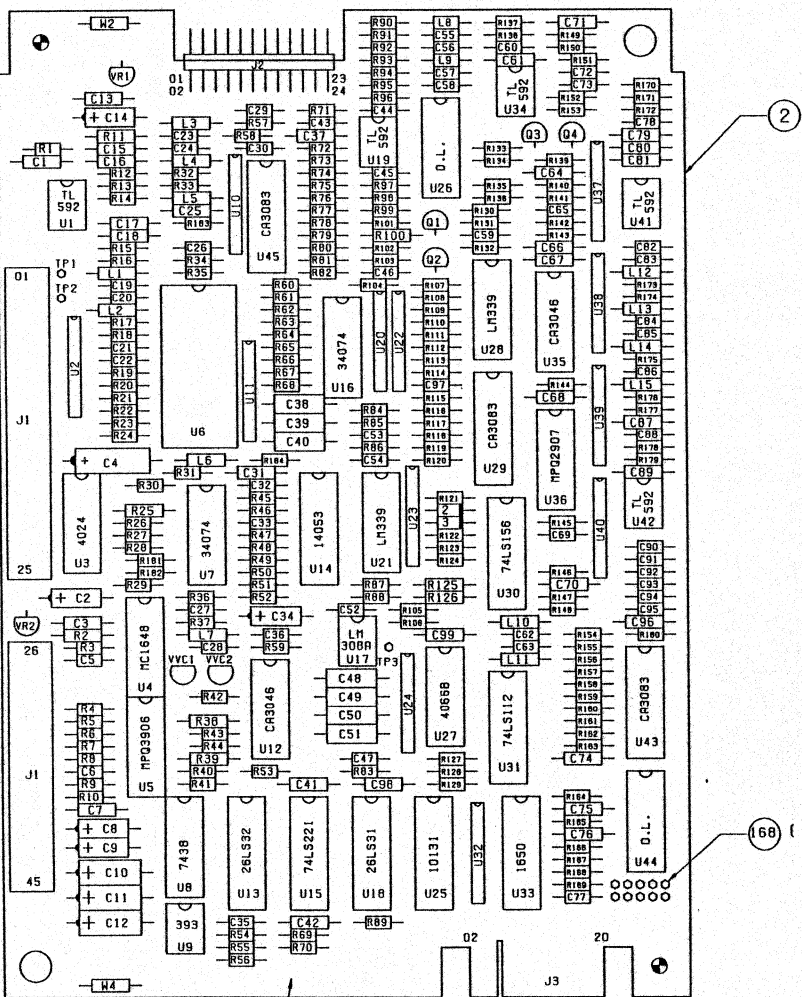
D.77761590-7



PHONETIC PERIPHERALS INC. A DIVISION OF CONTROL DATA CORPORATION OKLAHOMA CITY, OKLAHOMA	DATE	TITLE	SIZE	DRAWING NUMBER	CD	REV
	09-20-84	SCH. DATA-5	D	77761590	7	04
DATABASE NAME REG. 77761590			SHEET 7 F		DISTR A23-SC5 1	

D17761590-7

SHEET REVISION STATUS				REVISION RECORD			
REV	ECO	DATE	BY	REV	ECO	DATE	BY
FOR DOCUMENT STATUS SEE REVISION STATUS SHEET							



- NOTES: (UNLESS OTHERWISE SPECIFIED)
- ASSEMBLE PER 5970I27, EXCEPT PARAGRAPH 3.6.3.
 - MAXIMUM COMPONENT HEIGHT .30 EXCEPT JI-0.31 AND ITEM 168: 0.25"
 - MARK ASSEMBLY NO. IN APPROXIMATE LOCATION SHOWN PER I2A1099P1.
 - FOR SCHEMATIC DIAGRAM, SEE ITEM 1.
 - COMPONENT MARKING WITHOUT ALPHA PREFIX ARE DIODES.
 - SOLID BAND ON DIODES AND VOLTAGE REGULATORS INDICATE CATHODE END.
 - GENERAL WORKMANSHIP PER 10I20300.

MATERIAL	UNLESS OTHERWISE SPECIFIED DIMENSIONS ARE IN INCHES.	MAGNETIC PERIPHERALS INC.	DWN SUSIE EVANS	03-12-84	TITLE	PWA DATA-5	SIZE	DRAWING NUMBER	CD	REV
FINISH	3-PLACE 2-PLACE ANNEAL	OKLAHOMA CITY, OKLAHOMA	CHK'D D. COLEMAN	03-12-84			D	77762050	1	06
DO NOT SCALE DRAWING		WREN II	ENGR S. GEMHEIMER	03-13-84			SCALE	2/1	SHEET	1 OF 2
			DATA BASE				DISTR	A23-RYS	1	

RES	PL ITEM
R1	140
R2	103
R3	151
R4	142
R5	115
R6	115
R7	120
R8	125
R9	143
R10	153
R11	193
R12	131
R13	131
R14	197
R15	114
R16	114
R17	113
R18	113
R19	146
R20	185
R21	157
R22	145
R23	119
R24	114
R25	162
R26	161
R27	102
R28	160
R29	186
R30	129
R31	126
R32	136
R33	136
R34	137
R35	144
R36	130
R37	150
R38	164
R39	158
R40	211
R41	149
R42	147
R43	149
R44	151
R45	157
R46	155
R47	184
R48	184
R49	154
R50	148
R51	182
R52	130
R53	136
R54	153
R55	153

RES	PL ITEM
R56	188
R57	153
R58	153
R59	147
R60	144
R61	130
R62	130
R63	133
R64	130
R65	156
R66	152
R67	130
R68	165
R69	116
R70	105
R71	218
R72	139
R73	167
R74	167
R75	121
R76	167
R77	167
R78	146
R79	123
R80	123
R81	149
R82	121
R83	132
R84	133
R85	185
R86	185
R87	186
R88	165
R89	142
R90	180
R91	180
R92	117
R93	117
R94	121
R95	121
R96	139
R97	136
R98	109
R99	163
R100	104
R101	163
R102	207
R103	208
R104	121
R105	186
R106	156
R107	207
R108	202
R109	196
R110	167

RES	PL ITEM
R111	201
R112	167
R113	196
R114	167
R115	203
R116	206
R117	203
R118	204
R119	206
R120	204
R121	188
R122	190
R123	192
R124	152
R125	159
R126	159
R127	153
R128	154
R129	154
R130	209
R131	122
R132	122
R133	120
R134	154
R135	122
R136	210
R137	139
R138	181
R139	127
R140	120
R141	139
R142	127
R143	120
R144	128
R145	134
R146	114
R147	120
R148	120
R149	142
R150	118
R151	118
R152	122
R153	122
R154	138
R155	138
R156	106
R157	125
R158	120
R159	106
R160	107
R161	125
R162	112
R163	112
R164	190
R165	190

RES	PL ITEM
R166	139
R167	147
R168	147
R169	187
R170	115
R171	115
R172	111
R173	163
R174	163
R175	214
R176	110
R177	110
R178	197
R179	139
R180	108
R181	124
R182	166
R183	153
R184	147

CAP	PL ITEM
C1	77
C2	95
C3	77
C4	96
C5	75
C6	75
C7	77
C8	94
C9	95
C10	96
C11	98
C12	96
C13	77
C14	174
C15	77
C16	77
C17	77
C18	77
C19	78
C20	83
C21	75
C22	99
C23	176
C24	177
C25	77
C26	92
C27	75
C28	75
C29	99
C30	100
C31	76
C32	81
C33	87
C34	93
C35	99
C36	91
C37	77
C38	90
C39	90
C40	90
C41	77
C42	77
C43	75
C44	75
C45	99
C46	75
C47	86
C48	88
C49	88
C50	88
C51	88
C52	79
C53	85
C54	82
C55	78

CAP	PL ITEM
C56	80
C57	99
C58	99
C59	89
C60	171
C61	77
C62	84
C63	82
C64	77
C65	74
C66	77
C67	76
C68	77
C69	75
C70	77
C71	77
C72	99
C73	99
C74	77
C75	77
C76	77
C77	75
C78	99
C79	77
C80	77
C81	77
C82	99
C83	99
C84	171
C85	217
C86	216
C87	77
C88	99
C89	77
C90	89
C91	89
C92	99
C93	99
C94	75
C95	75
C96	77
C97	89
C98	77
C99	77

IC	PL ITEM
U1	17
U2	42
U3	9
U4	5
U5	12
U6	24
U7	15
U8	19
U9	18
U10	36
U11	44
U12	13
U13	29
U14	7
U15	25
U16	15
U17	27
U18	28
U19	17
U20	37
U21	16
U22	39
U23	39
U24	40
U25	21
U26	30
U27	8
U28	16
U29	14
U30	23
U31	26
U32	35
U33	8
U34	17
U35	13
U36	11
U37	43
U38	31
U39	36
U40	38
U41	17
U42	17
U43	14
U44	30
U45	14

IND	PL ITEM
L1	59
L2	59
L3	56
L4	56
L5	60
L6	61
L7	54
L8	57
L9	57
L10	60
L11	60
L12	54
L13	54
L14	56
L15	56

TSTR	PL ITEM
Q1	52
Q2	52
Q3	52
Q4	52

VARI CAP	PL ITEM
VVC1	49
VVC2	49

VOLT REG	PL ITEM
VR1	51
VR2	53

CONN	PL ITEM
J1	66
J2	67
J3	68
J4	-

JUMP	PL ITEM
W1	-
W2	194
W3	-
W4	194
W5	-

DIO	PL ITEM
CR1	-
CR2	50
CR3	50

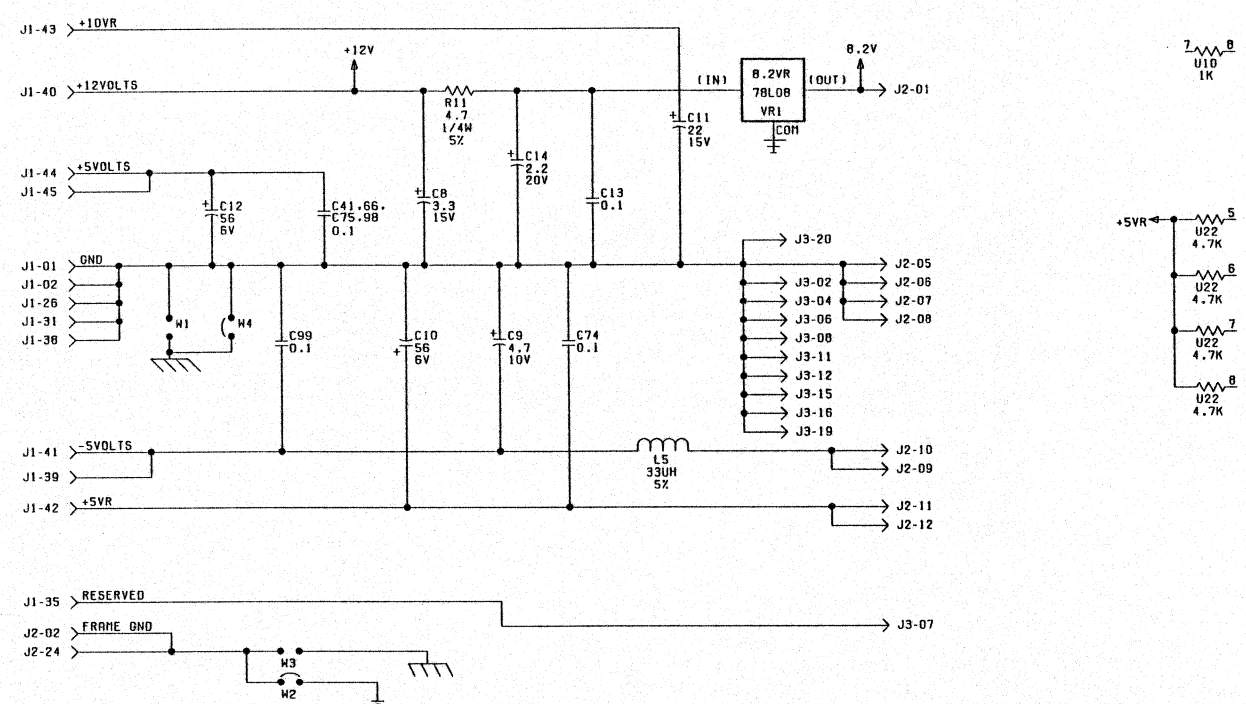
MAGNETIC PERIPHERALS INC. A DIVISION OF CENTRAL DATA CORPORATION OKLAHOMA CITY, OKLAHOMA	DATE 03-12-84	TITLE PWA.DATA-5	SIZE D	DRAWING NUMBER 77762050	CD 1	REV 106
	DATABASE NAME X DWG.NBR.77762050				SHEET 2	F

DISTR A23-RYS 1

017762050-1

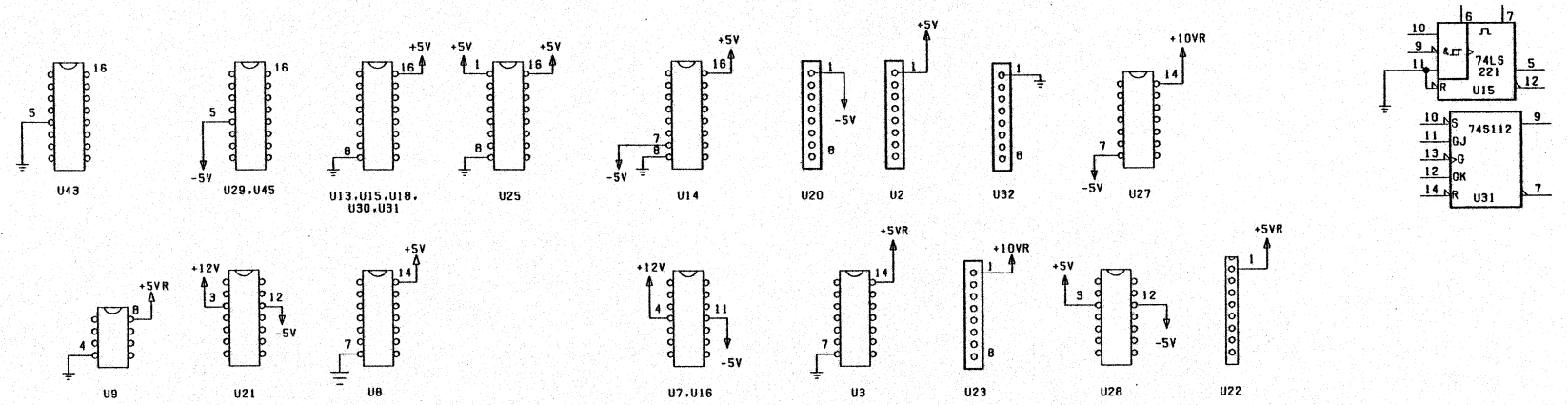
IDENT. NO.	CD	STATUS	REVISION

SHEET REVISION STATUS						REVISION RECORD					
7	6	5	4	3	2	REV	CD	DATE	CHKD	DATE	
04	04	05	05	02	04	05	01	01	RELEASED	3-15-84	
							02	PL66010	S. EVANS	LC	APR 21 1984
							03	PL66036	S. EVANS	LC	APR 9 1984
							04	PL66040	B. FURR	LC	SEP 17 1984
							05	PL66054	B. FURR	LC	SEP 24 1984

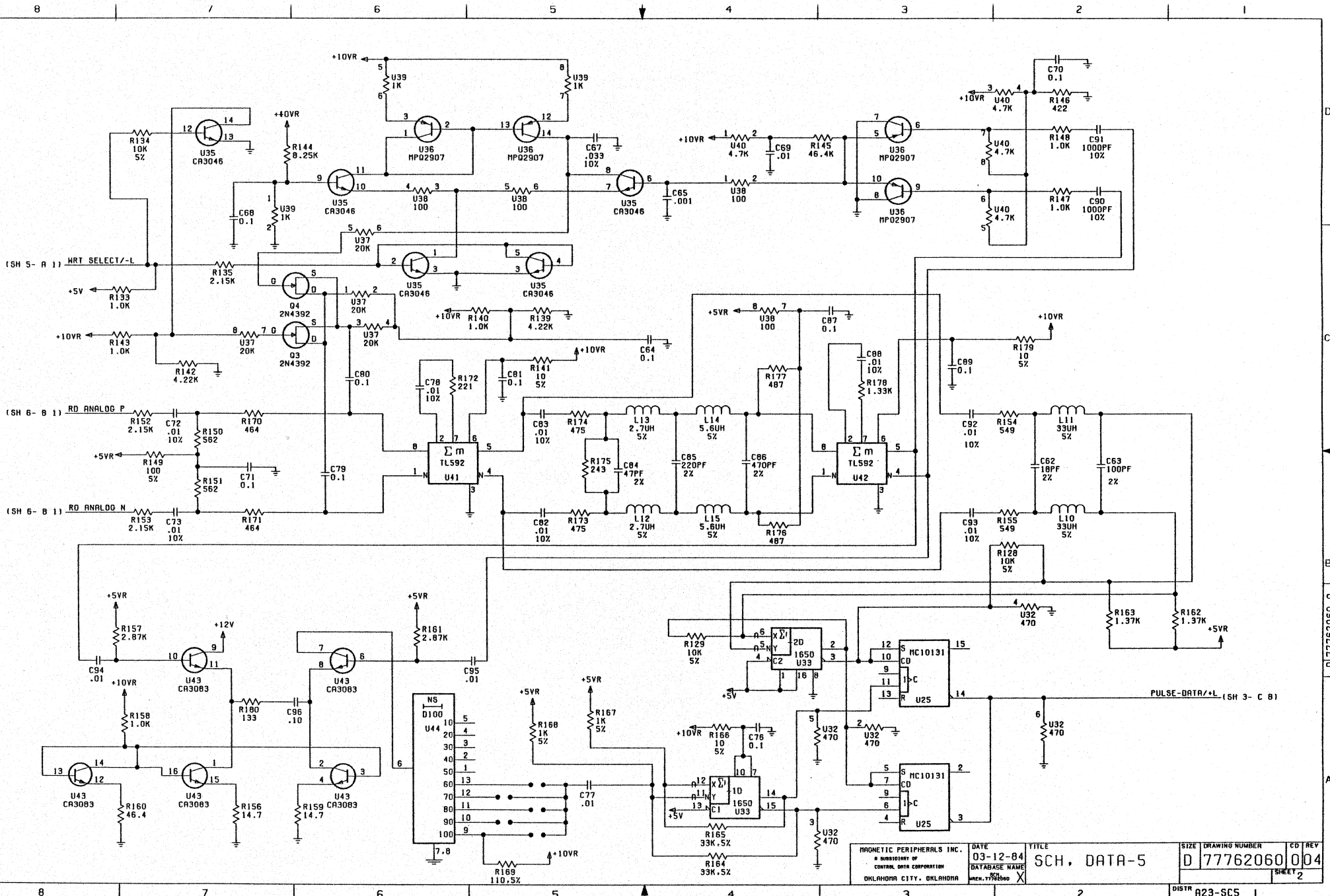


- NOTES: (UNLESS OTHERWISE SPECIFIED)
- DRAWING INTERPRETATION PER 43A226599
 - RESISTOR VALUES ARE IN OHMS, 1/8W±1%, UNLESS INDICATED
 - CAPACITOR VALUES ARE IN MICROFARADS, UNLESS INDICATED

SPARES



MATERIAL	UNLESS OTHERWISE SPECIFIED DIMENSIONS ARE IN INCHES. TOLERANCES 3-PLACE 2-PLACE ANGLES 1-PLACE	MAGNETIC PERIPHERALS INC. A DIVISION OF CONTROL DATA CORPORATION OKLAHOMA CITY, OKLAHOMA	DWR BOB FURR 03-12-84	TITLE	SIZE	DRAWING NUMBER	CD	REV
FINISH	DO NOT SCALE DRAWING	WREN II	CHKD D. COLEMAN 3-12-84	SCH. DATA-5	D	77762060	0	05
			ENGR S. DENHEIMER 3-13-84		SCALE	NONE	SHEET	1 of 7F
			MFG		DISTR	A23-SC5		
			DATA BASE SCH.WREN.77762060					

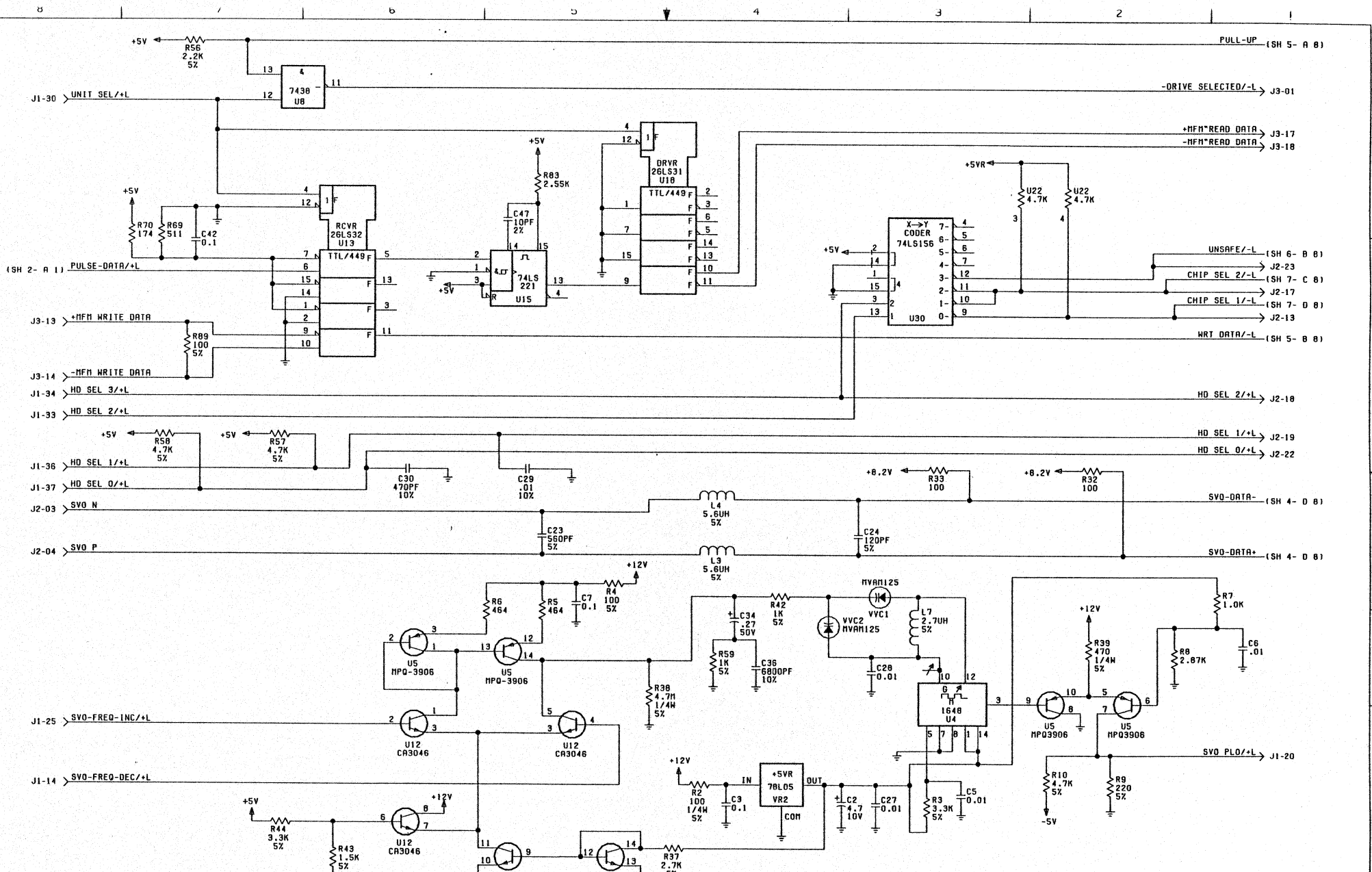


MAGNETIC PERIPHERALS INC. A DIVISION OF CONTROL DATA CORPORATION OKLAHOMA CITY - OKLAHOMA	DATE 03-12-84	TITLE SCH. DATA-5	SIZE D 77762060	CD REV 004
	DATABASE NAME SCH. DATA-5	REV. 1	SHEET 2	

DISTR A23-SC5 1

D
C
B
A

0177762060-0

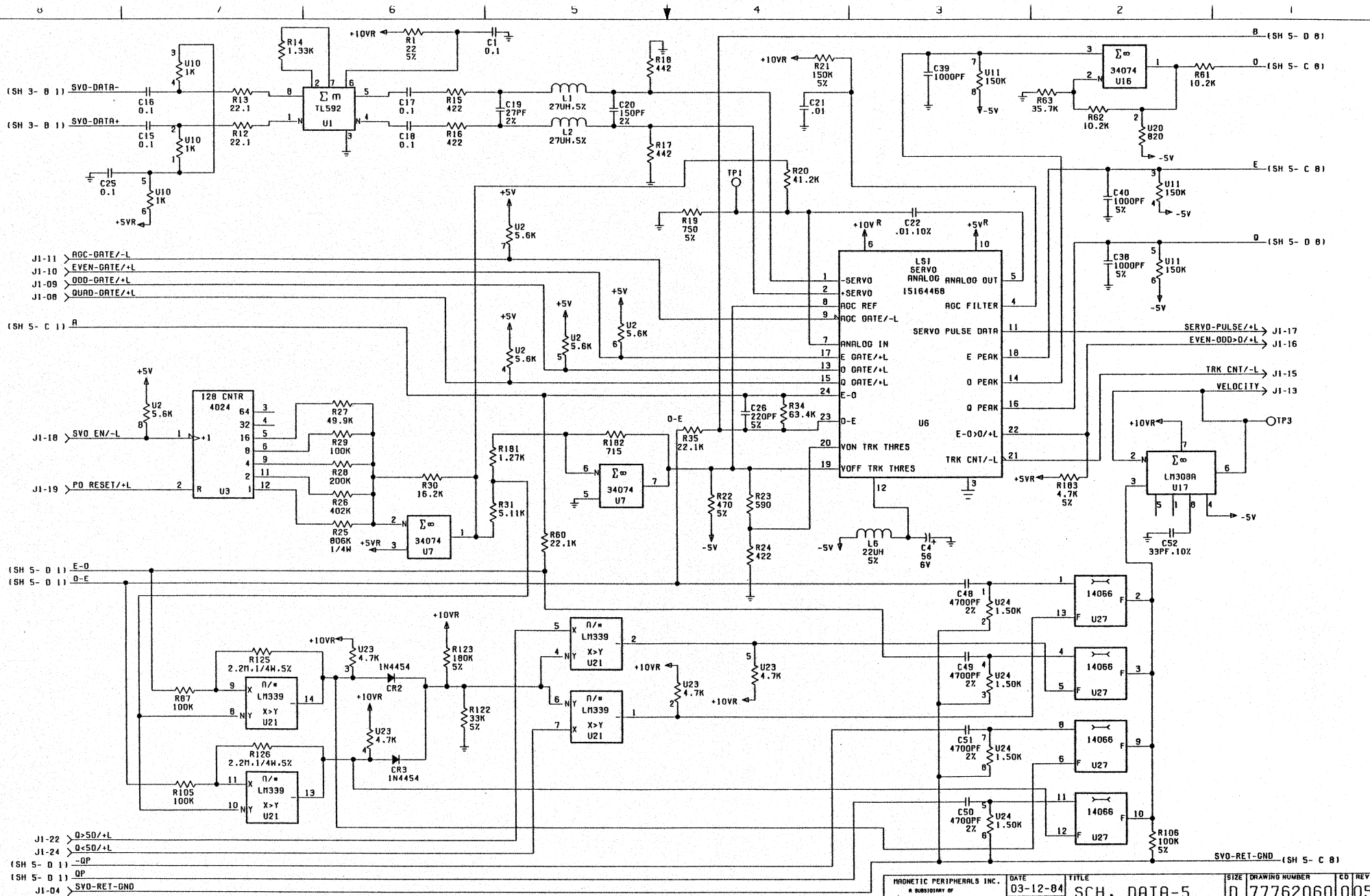


MAGNETIC PERIPHERALS INC. A DIVISION OF CONTROL DATA CORPORATION OKLAHOMA CITY, OKLAHOMA REV. 7762060	DATE 03-12-84	TITLE SCH, DATA-5	SIZE D	DRAWING NUMBER 77762060	CD REV 002
				SHEET 3	

QIBTR A15-SC5 1

D 77762060-0

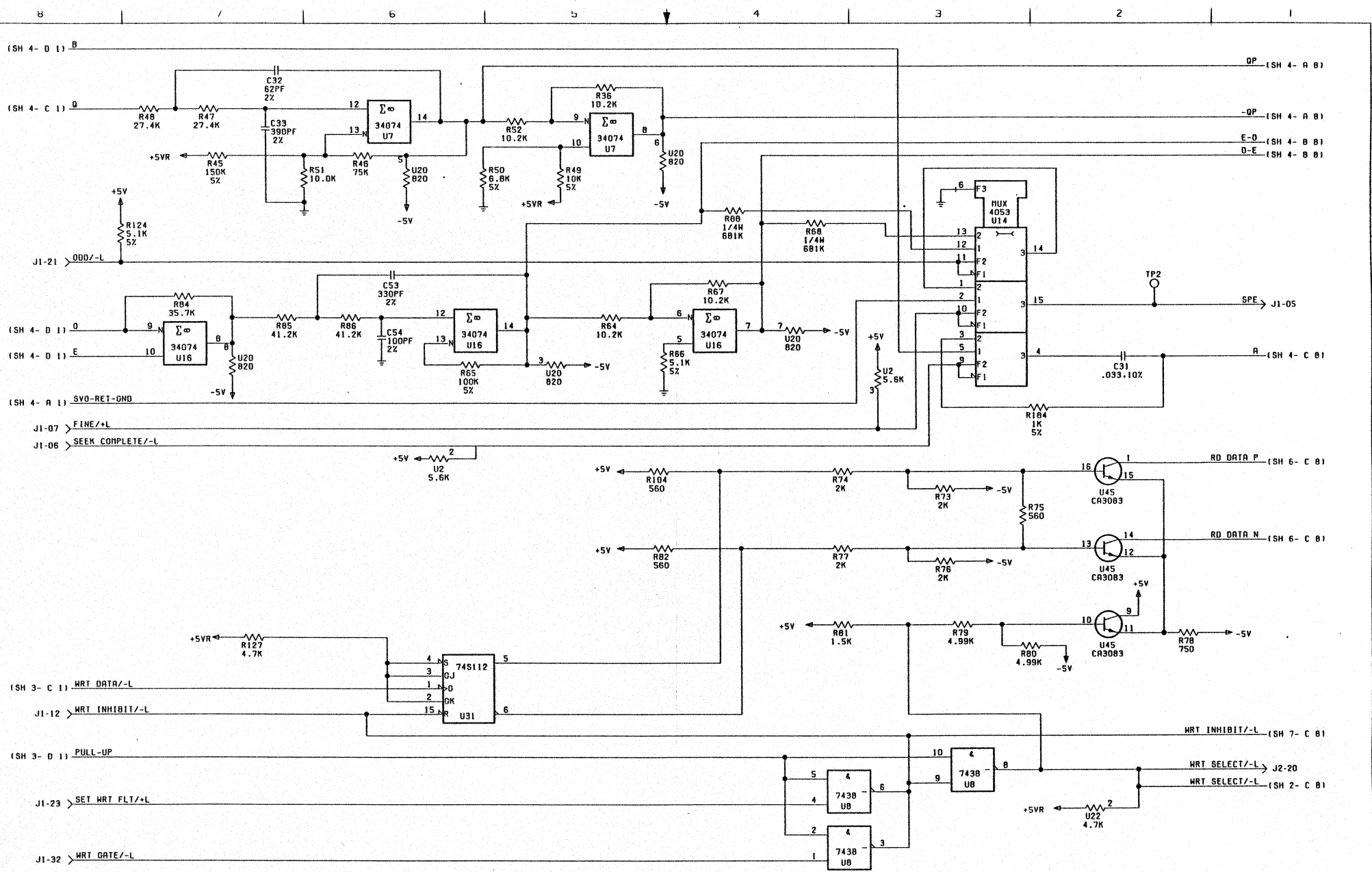
A



FRONETIC PERIPHERALS INC. A DIVISION OF CONTROL DATA CORPORATION OKLAHOMA CITY, OKLAHOMA	DATE 03-12-84	TITLE SCH, DATA-5	SIZE D 77762060	DRAWING NUMBER 005	CD REV 4
---	------------------	----------------------	--------------------	-----------------------	-------------

DISTR A23-SC5 1

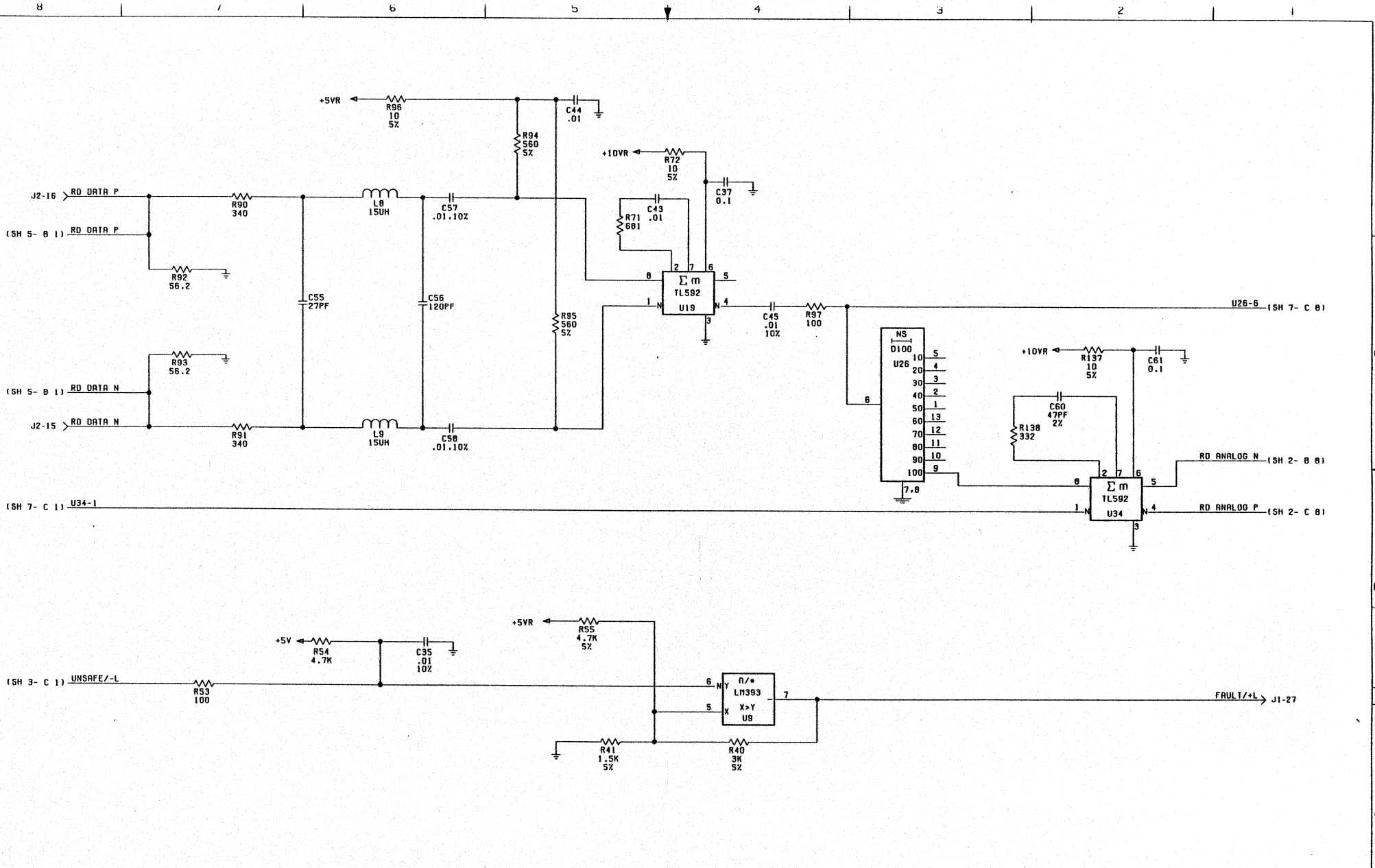
D177762060-0



MAGNETIC PERIPHERALS INC. A SUBSIDIARY OF CONTROL DATA CORPORATION OKLAHOMA CITY, OKLAHOMA	DATE 03-12-84 DATABASE NAME SCH MKN.77762060 X	TITLE SCH, DATA-5	SIZE D	DRAWING NUMBER 77762060	CD 005	REV 5
---	--	----------------------	-----------	----------------------------	-----------	----------

DISTR A23-SC5 1

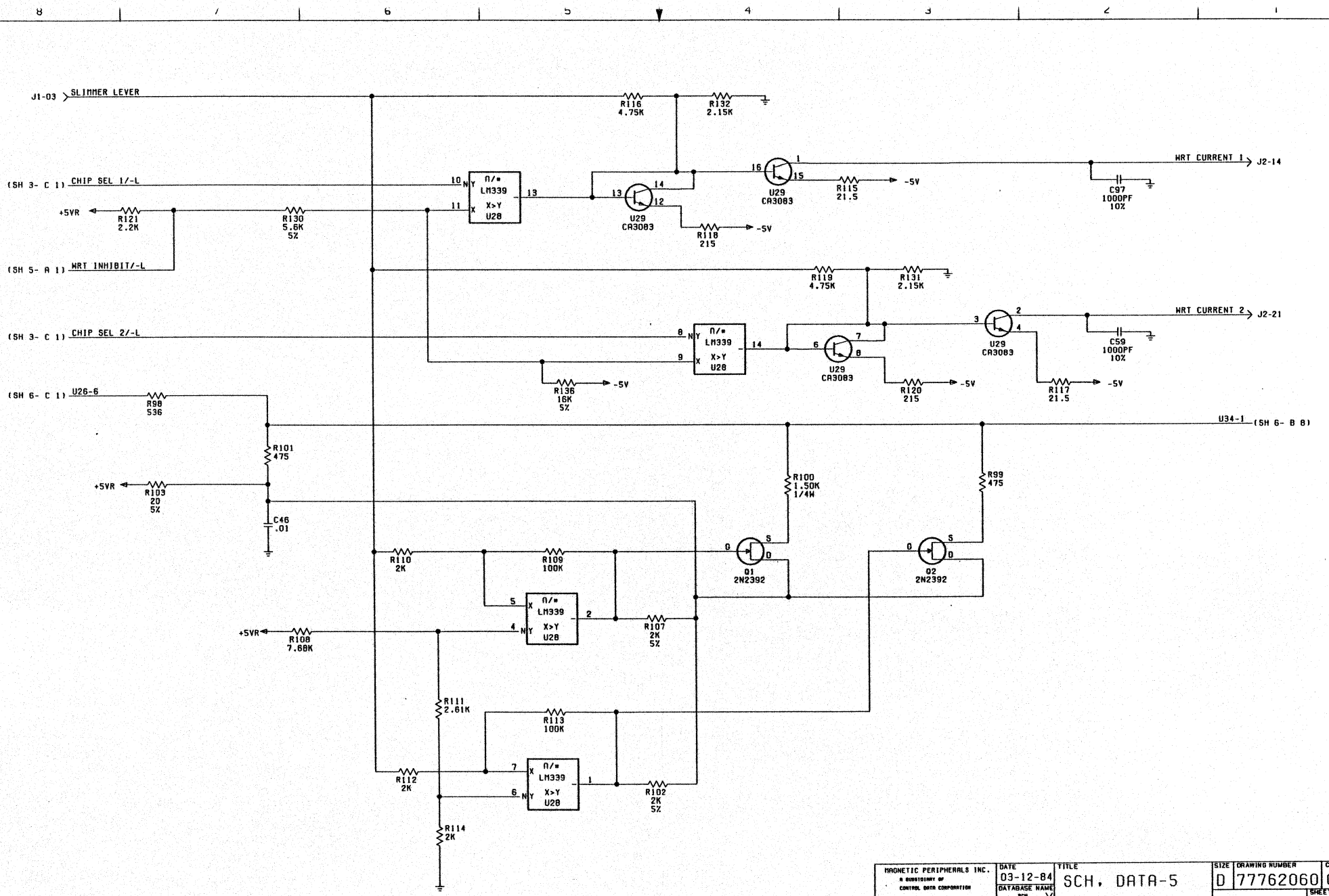
D 77762060-0



MAGNETIC PERIPHERALS INC. A SUBSIDIARY OF CENTRAL DATA CORPORATION OKLAHOMA CITY, OKLAHOMA	DATE	TITLE	SIZE	DRAWING NUMBER	CD	REV
	03-12-84	SCH, DATA-5	D	77762060	0	04
OKLAHOMA CITY, OKLAHOMA			SHEET 6			

DISTR A23-SC5 1

D177762060-0



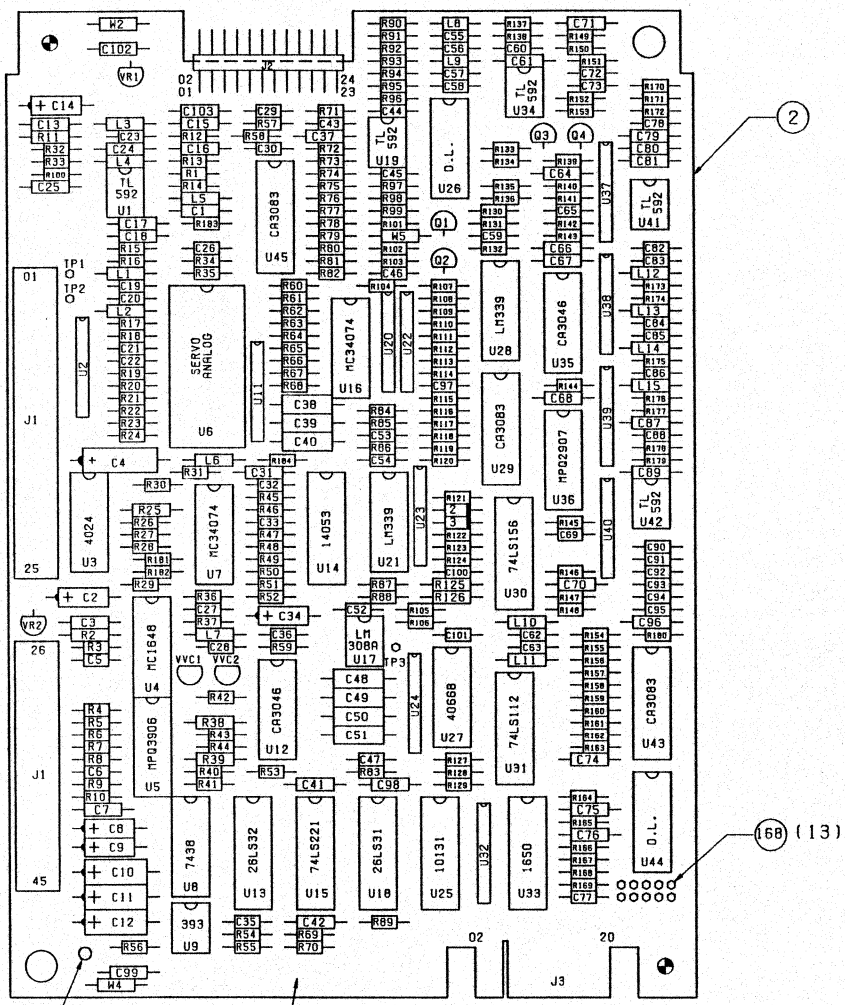
MAGNETIC PERIPHERALS INC. A SUBSIDIARY OF CONTROL DATA CORPORATION OKLAHOMA CITY, OKLAHOMA	DATE 03-12-84	TITLE SCH. DATA-5	SIZE D	DRAWING NUMBER 77762060	CD 004	REV 000
	DISTR A23-SC5 1		SHEET 7 F			

0177762060-0

ID ENT. NO.	CD	STATUS	REVISION

SHEET REVISION STATUS			REVISION RECORD			
REV	ECN	DATE	BY	CHKD	DATE	

FOR DOCUMENT STATUS SEE REVISION STATUS SHEET



- NOTES: (UNLESS OTHERWISE SPECIFIED)
- ASSEMBLE PER 59701127, EXCEPT PARAGRAPH 3.8.3.
 - MAXIMUM COMPONENT HEIGHT .30 EXCEPT J1: 0.31 AND ITEM 168: 0.25.
 - MARK ASSEMBLY NO. IN APPROXIMATE LOCATION SHOWN PER 12A1099PH.
 - FOR SCHEMATIC DIAGRAM, SEE ITEM 1.
 - COMPONENT MARKING WITHOUT ALPHA PREFIX ARE DIODES.
 - SOLID BAND ON DIODES AND VOLTAGE REGULATORS INDICATE CATHODE END.
 - GENERAL WORKMANSHIP PER 10120300.

MATERIAL	UNLESS OTHERWISE SPECIFIED DIMENSIONS ARE IN INCHES.	MOONETIC PERIPHERALS INC. A SUBSIDIARY OF CONTROL DATA CORPORATION OKLAHOMA CITY, OKLAHOMA	OWN: SUSIE EVANS	09-27-64	TITLE: PWA DATA-5	SIZE: D	DRAWING NUMBER: 77763450	CD: 201	REV: 1
FINISH	TOLERANCES: 3-PLACE 2-PLACE ANGLES: 1-0	WREN II	CHKD: [Signature]	10/1/64		SCALE: 2/1	SHEET: 1 of 2		
	DO NOT SCALE DRAWING		MFG:						
			DATA BASE: PWB.WREN.77763470						

D 77763450-2

RES	PL ITEM
R1	140
R2	103
R3	151
R4	142
R5	115
R6	115
R7	120
R8	125
R9	143
R10	153
R11	193
R12	131
R13	131
R14	197
R15	114
R16	114
R17	113
R18	113
R19	146
R20	185
R21	157
R22	145
R23	119
R24	114
R25	162
R26	161
R27	102
R28	160
R29	186
R30	129
R31	126
R32	135
R33	135
R34	137
R35	144
R36	130
R37	150
R38	164
R39	158
R40	211
R41	149
R42	147
R43	149
R44	151
R45	157
R46	155
R47	184
R48	184
R49	154
R50	148
R51	182
R52	130
R53	136
R54	153
R55	153

RES	PL ITEM
R56	188
R57	153
R58	153
R59	147
R60	144
R61	130
R62	130
R63	133
R64	130
R65	158
R66	152
R67	130
R68	165
R69	116
R70	105
R71	218
R72	139
R73	167
R74	167
R75	121
R76	167
R77	167
R78	146
R79	123
R80	123
R81	149
R82	121
R83	132
R84	133
R85	185
R86	185
R87	186
R88	165
R89	142
R90	180
R91	180
R92	117
R93	117
R94	121
R95	121
R96	139
R97	109
R98	120
R99	104
R100	147
R101	163
R102	207
R103	208
R104	121
R105	186
R106	156
R107	207
R108	202
R109	196
R110	167

RES	PL ITEM
R111	201
R112	167
R113	196
R114	167
R115	203
R116	206
R117	203
R118	204
R119	206
R120	204
R121	188
R122	190
R123	192
R124	152
R125	159
R126	159
R127	153
R128	154
R129	154
R130	209
R131	122
R132	122
R133	120
R134	154
R135	122
R136	210
R137	139
R138	181
R139	127
R140	120
R141	139
R142	127
R143	120
R144	128
R145	134
R146	114
R147	120
R148	120
R149	142
R150	118
R151	118
R152	122
R153	122
R154	138
R155	138
R156	106
R157	125
R158	120
R159	106
R160	107
R161	125
R162	112
R163	112
R164	190
R165	190

RES	PL ITEM
R166	139
R167	147
R168	147
R169	187
R170	115
R171	115
R172	111
R173	163
R174	163
R175	214
R176	110
R177	110
R178	197
R179	139
R180	108
R181	124
R182	166
R183	153
R184	147
R185	-

CAP	PL ITEM
C1	77
C2	95
C3	77
C4	96
C5	75
C6	75
C7	77
C8	94
C9	95
C10	96
C11	98
C12	96
C13	77
C14	174
C15	77
C16	77
C17	77
C18	77
C19	78
C20	89
C21	75
C22	99
C23	176
C24	90
C25	77
C26	92
C27	75
C28	75
C29	99
C30	100
C31	76
C32	81
C33	87
C34	93
C35	99
C36	91
C37	77
C38	90
C39	90
C40	90
C41	77
C42	77
C43	75
C44	75
C45	99
C46	75
C47	86
C48	88
C49	88
C50	88
C51	88
C52	79
C53	85
C54	82
C55	78

CAP	PL ITEM
C56	80
C57	99
C58	99
C59	89
C60	171
C61	77
C62	84
C63	82
C64	77
C65	74
C66	77
C67	76
C68	77
C69	75
C70	77
C71	77
C72	99
C73	99
C74	77
C75	77
C76	77
C77	75
C78	98
C79	77
C80	77
C81	77
C82	99
C83	99
C84	171
C85	217
C86	218
C87	77
C88	99
C89	77
C90	89
C91	89
C92	99
C93	99
C94	75
C95	75
C96	77
C97	89
C98	77
C99	77
C100	101
C101	101
C102	77
C103	77

IC	PL ITEM
U1	17
U2	42
U3	9
U4	5
U5	12
U6	24
U7	15
U8	19
U9	18
U10	-
U11	44
U12	13
U13	29
U14	7
U15	25
U16	15
U17	27
U18	28
U19	17
U20	37
U21	16
U22	39
U23	39
U24	40
U25	21
U26	30
U27	8
U28	16
U29	14
U30	23
U31	26
U32	35
U33	6
U34	17
U35	13
U36	11
U37	43
U38	31
U39	36
U40	38
U41	17
U42	17
U43	14
U44	30
U45	14

IND	PL ITEM
L1	59
L2	59
L3	56
L4	56
L5	60
L6	61
L7	54
L8	57
L9	57
L10	60
L11	60
L12	54
L13	54
L14	56
L15	56

TSTR	PL ITEM
Q1	52
Q2	52
Q3	52
Q4	52

VARI CAP	PL ITEM
VVC1	49
VVC2	49

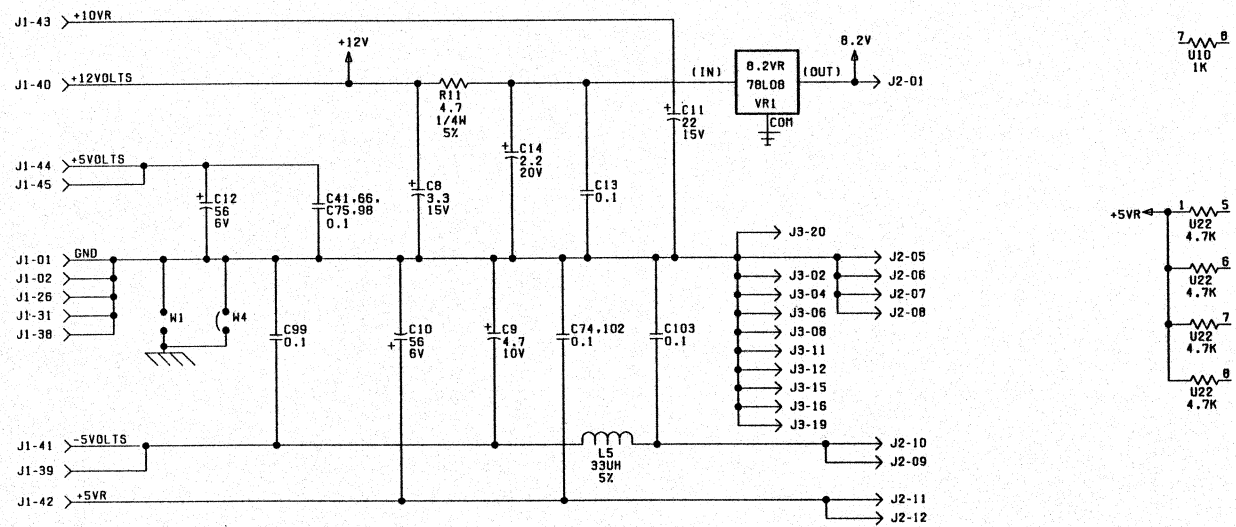
VOLT REG	PL ITEM
VR1	51
VR2	53

CONN	PL ITEM
J1	66
J2	67
J3	-

JUMP	PL ITEM
W1	-
W2	194
W3	-
W4	194
W5	194

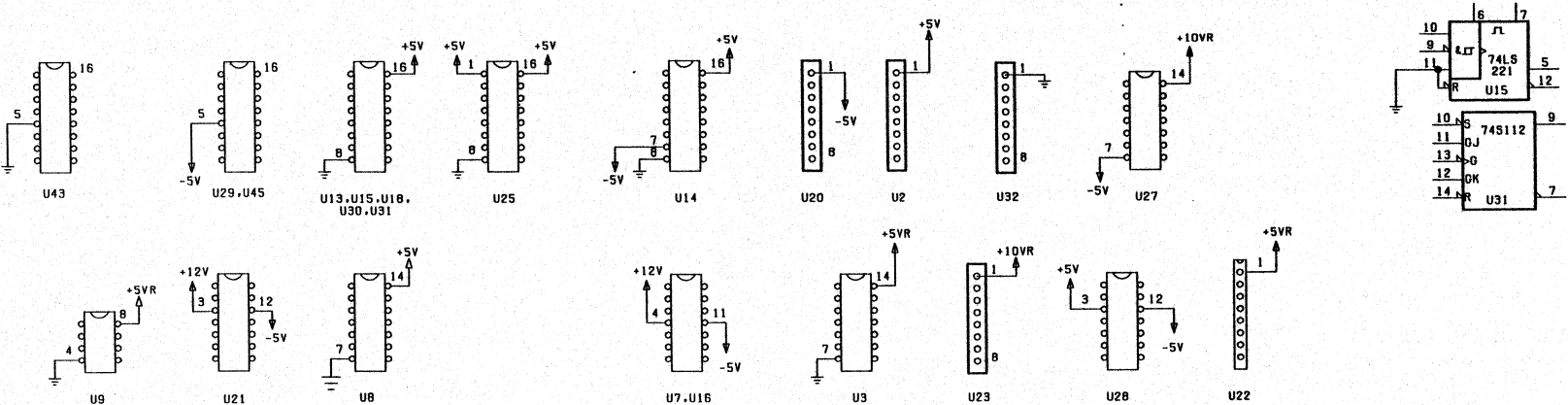
DIO	PL ITEM
CR1	-
CR2	50
CR3	50

SHEET REVISION STATUS							REVISION RECORD		
REV	DATE	BY	REASON	REV	DATE	BY	REV	DATE	BY
7	6	5	4	3	2	1	1	01	01
01	01	01	01	01	01	01	01	01	01



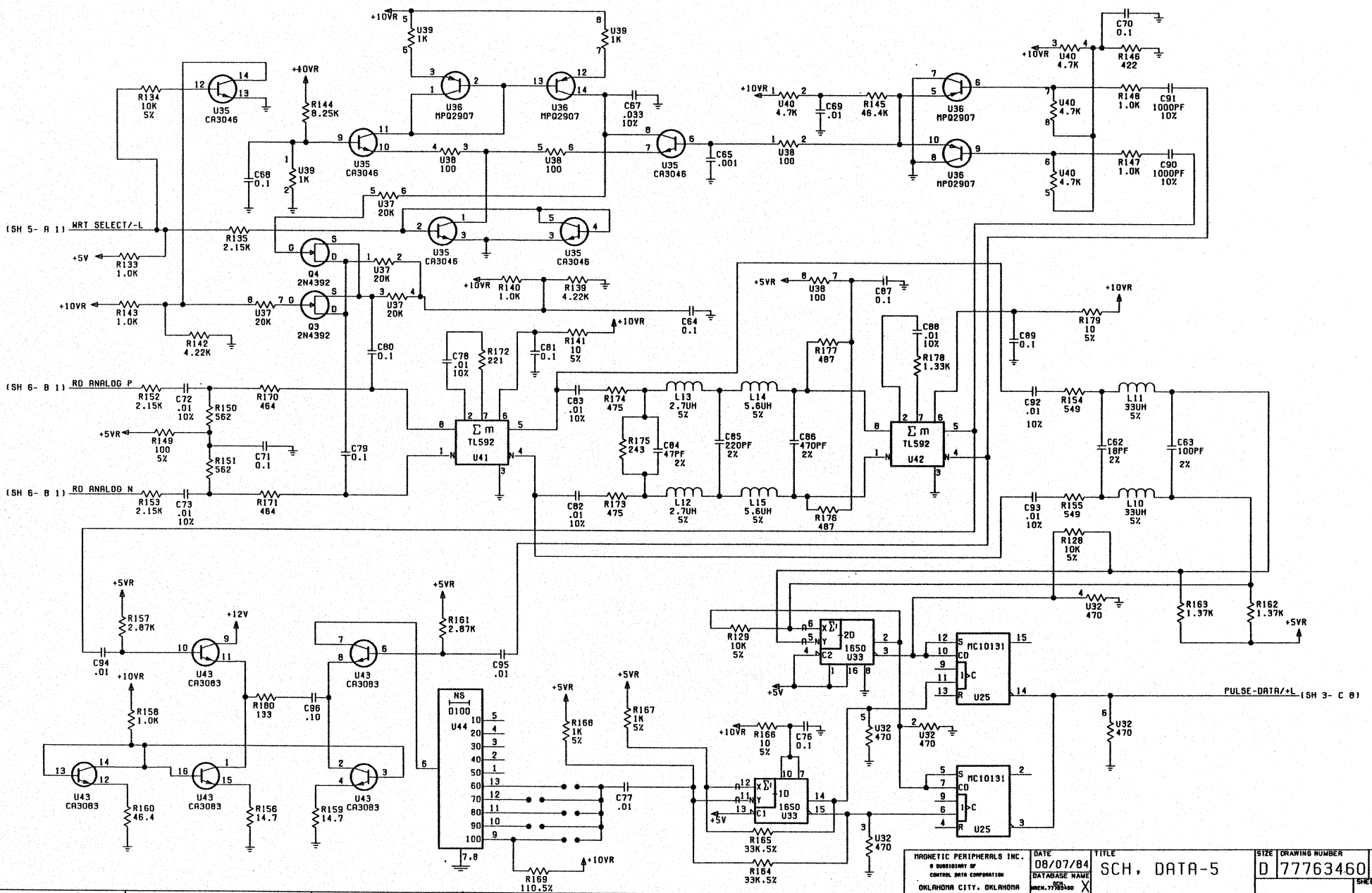
- NOTES: (UNLESS OTHERWISE SPECIFIED)
1. DRAWING INTERPRETATION PER 43A226599
 2. RESISTOR VALUES ARE IN OHMS, 1/8W±1%, UNLESS INDICATED
 3. CAPACITOR VALUES ARE IN MICROFARADS, UNLESS INDICATED

SPARES



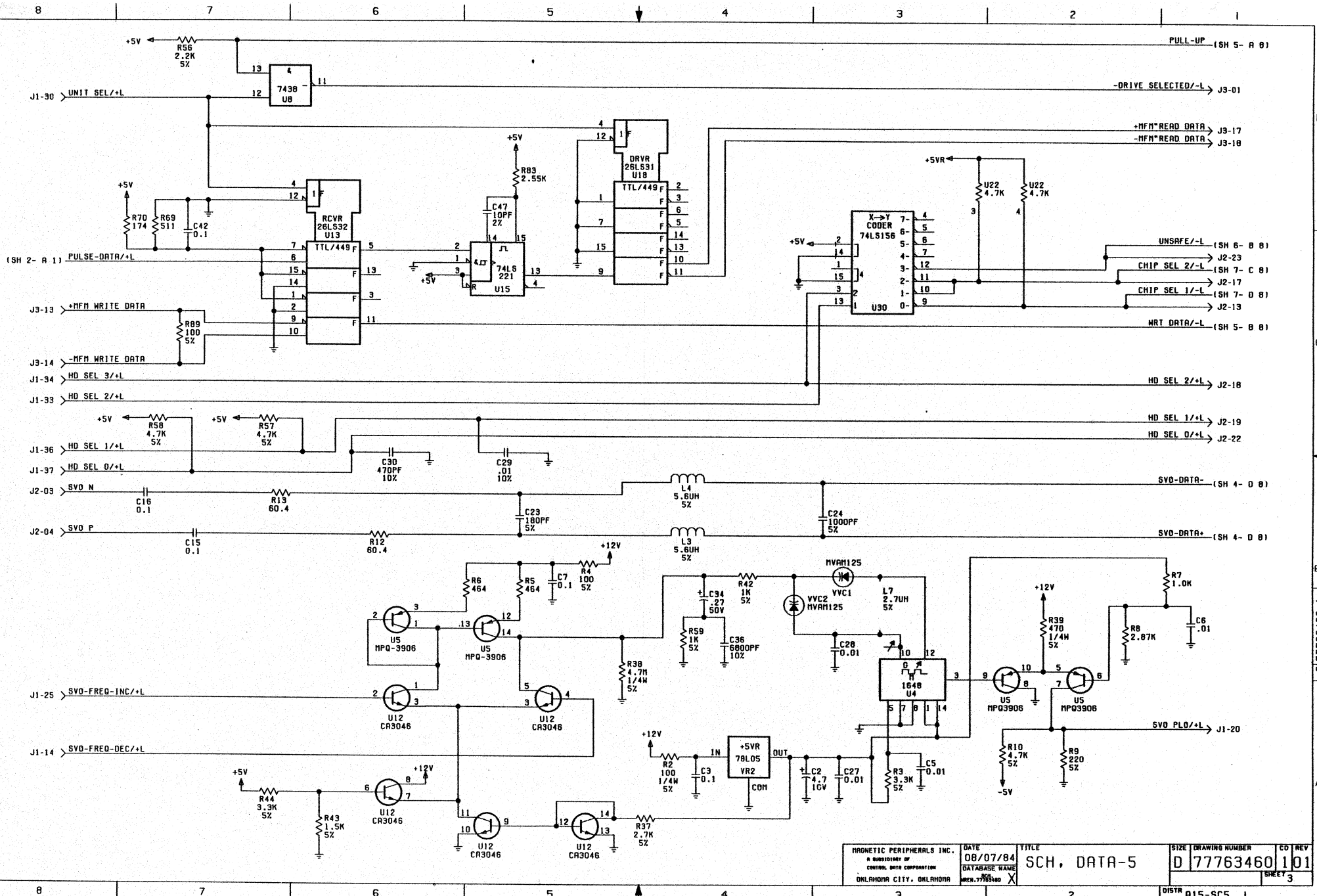
MATERIAL	ALL DIMENSIONS SPECIFIED UNLESS OTHERWISE SPECIFIED. DIMENSIONS ARE IN INCHES.	MAGNETIC PERIPHERALS INC. IN PURSUEANCE OF CONTROL DATA CORPORATION OKLAHOMA CITY, OKLAHOMA	DWN	TDH	NOV	09/27/84	TITLE	SIZE	DRAWING NUMBER	CD	REV
FINISH	TOLERANCES: 3-PLACES 2-PLACES ANGLES	WREN II	CHKD	WJH	WJH		SCH. DATA-5	D	77763460	1	01
	DO NOT SCALE DRAWING		ENGR	S. C. WREN				SCALE	NONE	SHEET	1 OF 7F
			MFG								
			DATA BASE								
			SCH. WREN. 77763460								

D 77763460-1



MAGNETIC PERIPHERALS INC. A DIVISION OF CONTROL DATA CORPORATION OKLAHOMA CITY, OKLAHOMA	DATE	TITLE	SIZE	DRAWING NUMBER	CD	REV
	08/07/84	SCH. DATA-5	D	77763460	101	1
DATABASE NAME			SHEET			
OKLAHOMA CITY, OKLAHOMA			77763460		2	

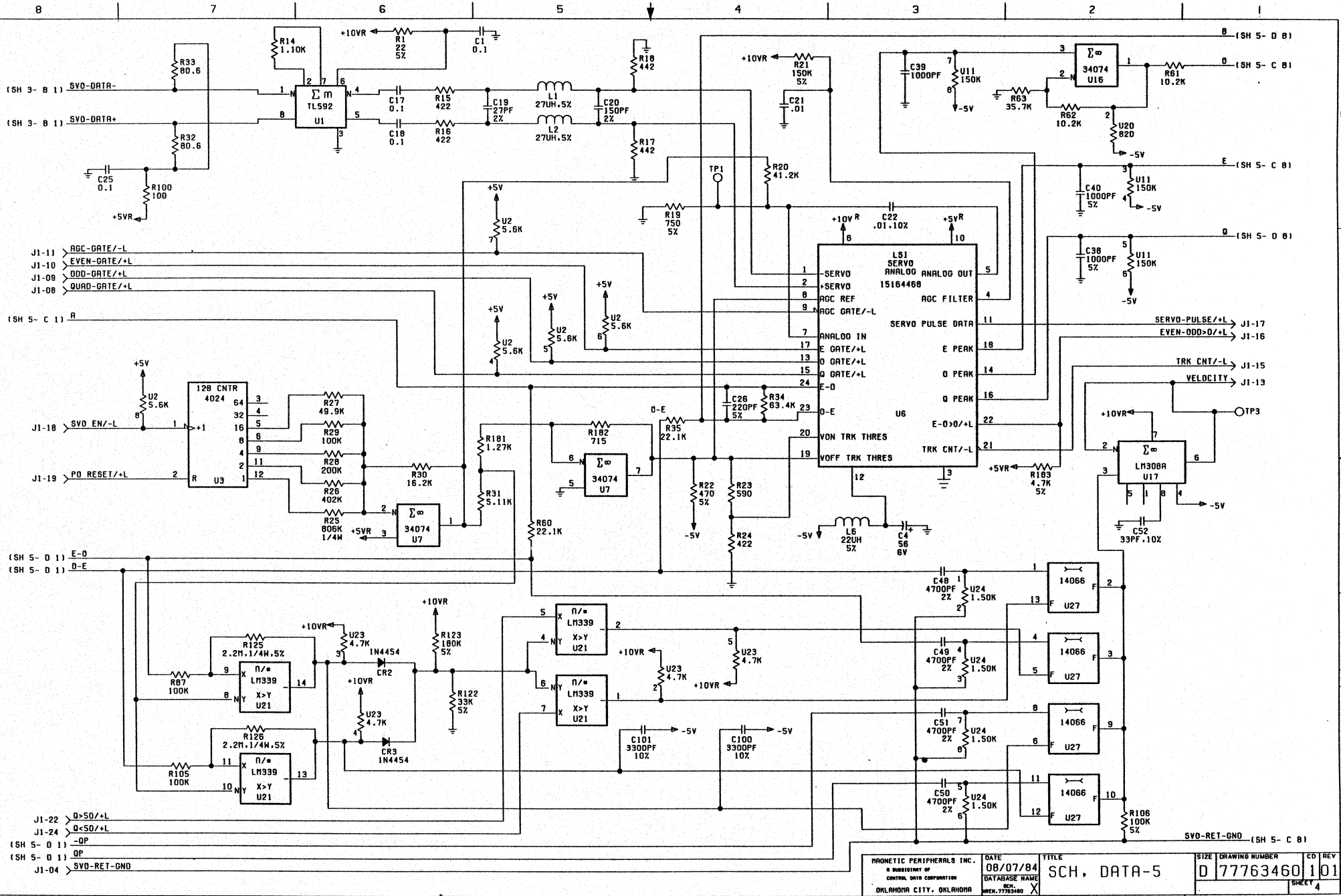
D 77763460-1



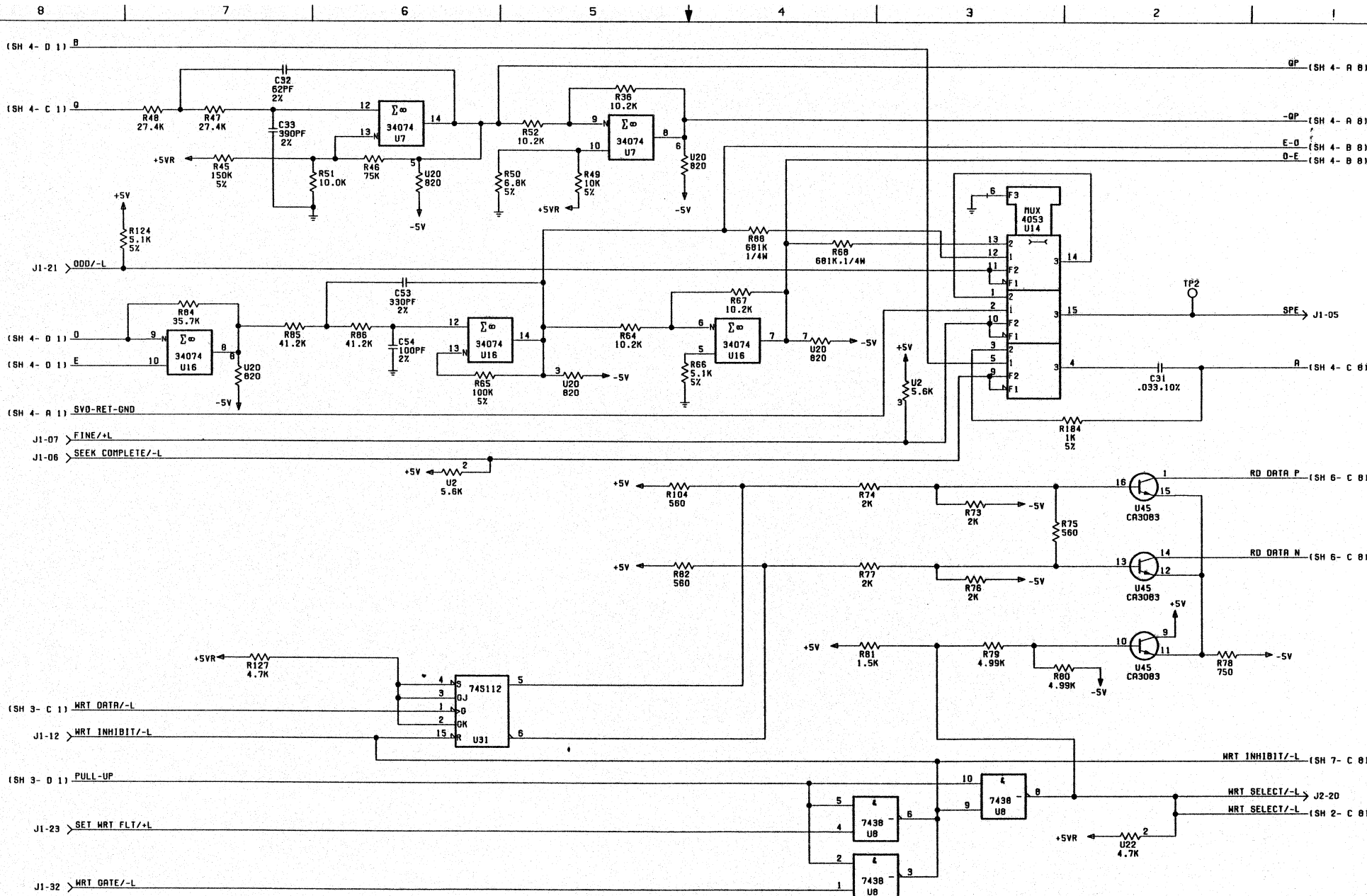
MAGNETIC PERIPHERALS INC. A DIVISION OF CONTROL DATA CORPORATION OKLAHOMA CITY, OKLAHOMA	DATE 08/07/84 DATABASE NAME SCH. DATA-5	TITLE SCH. DATA-5	SIZE DRAWING NUMBER D 77763460	CD REV 101 SHEET 3
---	--	----------------------	--------------------------------------	-----------------------------

DISTR A15-SC5 1

D 77763460-1



MAGNETIC PERIPHERALS INC. A DIVISION OF CENTRAL DATA CORPORATION OKLAHOMA CITY, OKLAHOMA	DATE 08/07/84	TITLE SCH. DATA-5	SIZE D	DRAWING NUMBER 77763460	CD REV 101
---	------------------	----------------------	-----------	----------------------------	---------------

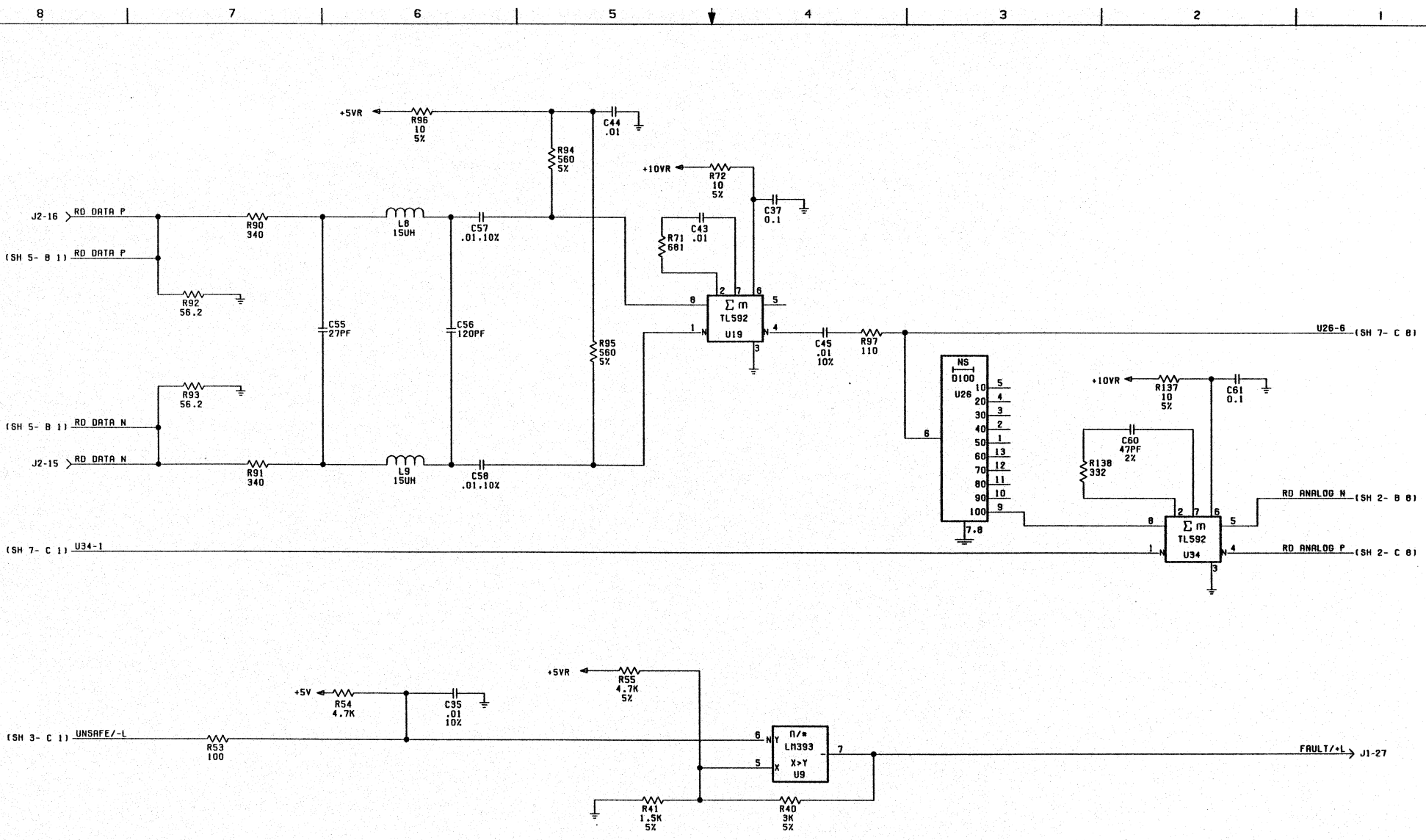


MAGNETIC PERIPHERALS INC. A DIVISION OF CENTRAL DATA CORPORATION OKLAHOMA CITY, OKLAHOMA	DATE 08/07/84	TITLE SCH. DATA-5	SIZE D	DRAWING NUMBER 77763460	CD REV 101
---	------------------	----------------------	-----------	----------------------------	---------------

DISTR A23-SC5 1

D:77763460-1

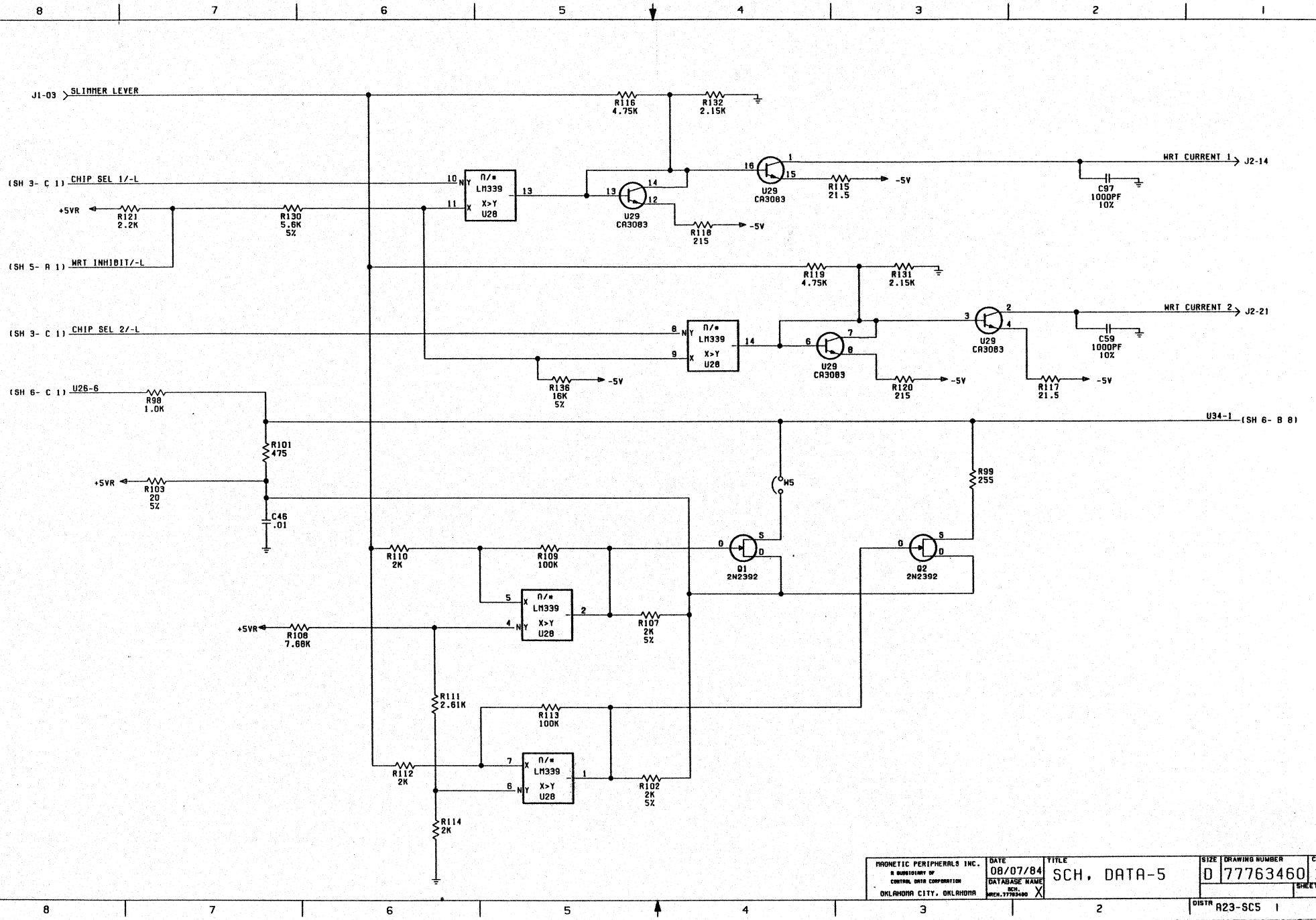
SHEET 5



MAGNETIC PERIPHERALS INC. A DIVISION OF CONTROL DATA CORPORATION OKLAHOMA CITY, OKLAHOMA	DATE 08/07/84	TITLE SCH, DATA-5	SIZE D	DRAWING NUMBER 77763460	CD 101	REV 6
	DBASE NAME SCH. MEX.77763460					SHEET

DISTR R23-SC5 1

D17763460-1



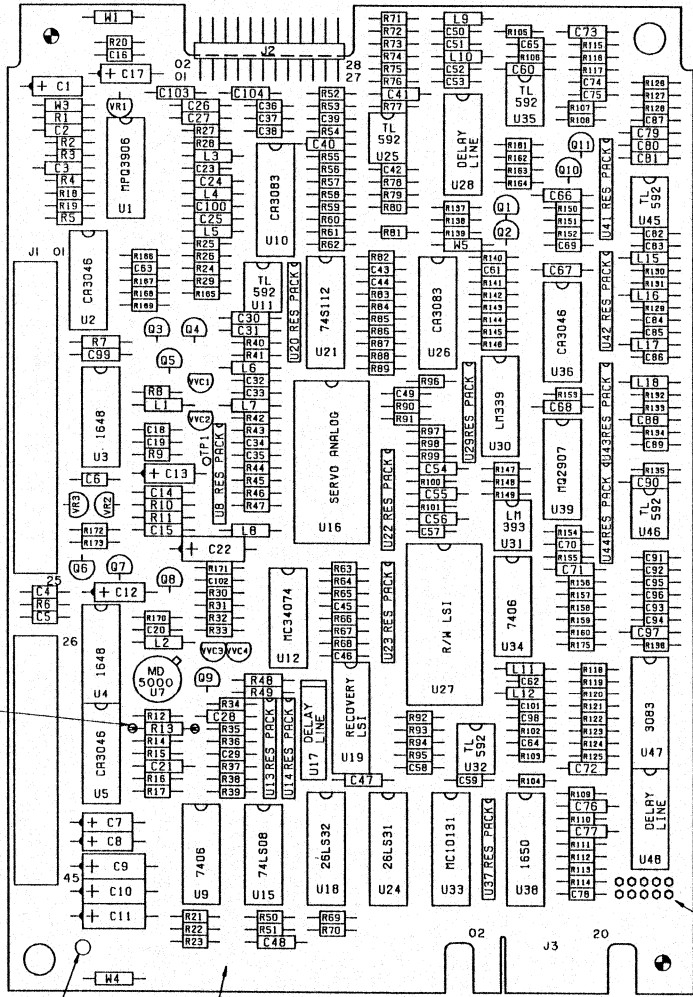
MAGNETIC PERIPHERALS INC. A SUBSIDIARY OF CONTROL DATA CORPORATION OKLAHOMA CITY, OKLAHOMA	DATE	TITLE	SIZE	DRAWING NUMBER	CD	REV
	08/07/84	SCH. DATA-5	D	77763460	1	101
DATABASE NAME SCH. DATA-5 REV. 17763460			SHEET		7 F	

DISTR A23-SC5 1

D177763460-1

IDENT. NO.	CD	STATUS	REVISION

SHEET REVISION STATUS		REVISION RECORD			
REV	ECO	DRFT	CHNG	DATE	
FOR DOCUMENT STATUS SEE REVISION STATUS SHEET					



- NOTES: (UNLESS OTHERWISE SPECIFIED)
1. ASSEMBLE PER 5970I27 . EXCEPT PARAGRAPH 3.8.3 .
 2. MAXIMUM COMPONENT HEIGHT .30 EXCEPT JI AND U27, 0.33, AND ITEMS 177, 0.25
 - Δ 3. MARK ASSEMBLY NO. IN APPROXIMATE LOCATION SHOWN PER I2A1099PI.
 4. FOR SCHEMATIC DIAGRAM, SEE ITEM I.
 5. COMPONENT MARKING WITHOUT ALPHA PREFIX ARE DIODES.
 6. SOLID BAND ON DIODES AND VOLTAGE REGULATORS INDICATE CATHODE END.
 7. GENERAL WORKMANSHIP PER 10I20300.

MATERIAL	UNLESS OTHERWISE SPECIFIED DIMENSIONS ARE IN INCHES.	MAGNETIC PERIPHERALS INC. CONTROL DATA CORPORATION OKLAHOMA CITY, OKLAHOMA	DWN	D. HUBBLE	09-28-84	TITLE	PWA, ESDI DATA	SIZE	DRAWING NUMBER	CD	REV
FINISH	3-PLACE 2-PLACE ANGLES		CHKD	S. Polkman				D	77763500	4	01
	DO NOT SCALE DRAWING	WREN II	ENGR	S. Polkman			SCALE	2/1	SHEET	1	of 2
			MFG				DATA BASE		DISTR	A23-AY5	1
							FMB.WREN.77763520				

RES	PL ITEM
R1	169
R2	115
R3	115
R4	142
R5	150
R6	151
R7	164
R8	147
R9	151
R10	171
R11	171
R12	142
R13	175
R14	121
R15	172
R16	110
R17	158
R18	151
R19	149
R20	147
R21	149
R22	116
R23	135
R24	-
R25	136
R26	136
R27	131
R28	131
R29	174
R30	130
R31	133
R32	111
R33	112
R34	116
R35	129
R36	124
R37	143
R38	120
R39	123
R40	114
R41	114
R42	113
R43	113
R44	146
R45	126
R46	145
R47	157
R48	148
R49	152
R50	153
R51	132
R52	136
R53	139
R54	189
R55	190

RES	PL ITEM
R56	190
R57	198
R58	190
R59	190
R60	146
R61	192
R62	193
R63	160
R64	155
R65	157
R66	162
R67	130
R68	133
R69	136
R70	136
R71	180
R72	180
R73	184
R74	184
R75	198
R76	198
R77	117
R78	172
R79	198
R80	198
R81	149
R82	166
R83	183
R84	183
R85	185
R86	161
R87	109
R88	185
R89	153
R90	137
R91	202
R92	182
R93	145
R94	182
R95	145
R96	201
R97	191
R98	194
R99	119
R100	114
R101	162
R102	109
R103	154
R104	154
R105	139
R106	144
R107	122
R108	122
R109	168
R110	168

RES	PL ITEM
R111	139
R112	147
R113	147
R114	165
R115	142
R116	118
R117	118
R118	173
R119	125
R120	120
R121	173
R122	107
R123	125
R124	163
R125	163
R126	115
R127	115
R128	170
R129	141
R130	179
R131	179
R132	187
R133	187
R134	174
R135	139
R136	108
R137	120
R138	186
R139	179
R140	197
R141	199
R142	199
R143	109
R144	161
R145	196
R146	196
R147	149
R148	153
R149	200
R150	127
R151	120
R152	139
R153	128
R154	134
R155	114
R156	120
R157	120
R158	188
R159	188
R160	153
R161	122
R162	195
R163	127
R164	120
R165	140

RES	PL ITEM
R166	120
R167	159
R168	181
R169	144
R170	120
R171	159
R172	181
R173	144
R174	-
R175	203

CAP	PL ITEM
C1	84
C2	77
C3	77
C4	75
C5	75
C6	75
C7	94
C8	95
C9	98
C10	97
C11	97
C12	76
C13	95
C14	77
C15	77
C16	91
C17	93
C18	75
C19	75
C20	75
C21	77
C22	97
C23	103
C24	102
C25	77
C26	77
C27	77
C28	76
C29	103
C30	77
C31	77
C32	78
C33	83
C34	75
C35	99
C36	99
C37	99
C38	99
C39	75
C40	77
C41	77
C42	99
C43	89
C44	89
C45	87
C46	75
C47	77
C48	77
C49	92
C50	78
C51	82
C52	99
C53	99
C54	90
C55	90

CAP	PL ITEM
C56	90
C57	81
C58	99
C59	99
C60	77
C61	75
C62	79
C63	75
C64	75
C65	69
C66	77
C67	76
C68	77
C69	74
C70	75
C71	77
C72	77
C73	77
C74	99
C75	99
C76	77
C77	77
C78	75
C79	77
C80	77
C81	77
C82	99
C83	99
C84	69
C85	73
C86	88
C87	99
C88	77
C89	99
C90	77
C91	89
C92	89
C93	99
C94	99
C95	75
C96	75
C97	77
C98	75
C99	77
C100	77
C101	80
C102	75
C103	77
C104	77

IC	PL ITEM
U1	12
U2	13
U3	5
U4	5
U5	13
U6	36
U7	25
U8	42
U9	19
U10	14
U11	17
U12	15
U13	31
U14	38
U15	10
U16	24
U17	27
U18	29
U19	7
U20	39
U21	26
U22	44
U23	37
U24	28
U25	17
U26	14
U27	8
U28	30
U29	45
U30	16
U31	18
U32	17
U33	21
U34	19
U35	17
U36	13
U37	35
U38	6
U39	11
U40	-
U41	43
U42	31
U43	36
U44	38
U45	17
U46	17
U47	14
U48	30

IND	PL ITEM
L1	54
L2	58
L3	56
L4	56
L5	60
L6	59
L7	59
L8	61
L9	57
L10	57
L11	60
L12	60
L13	-
L14	-
L15	54
L16	54
L17	56
L18	56
L19	-

JUMP	PL ITEM
W1	176
W2	-
W3	176
W4	176
W5	176

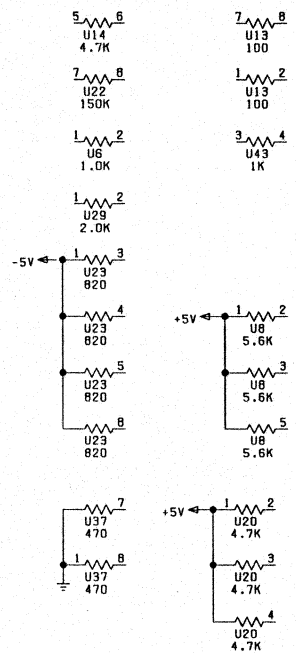
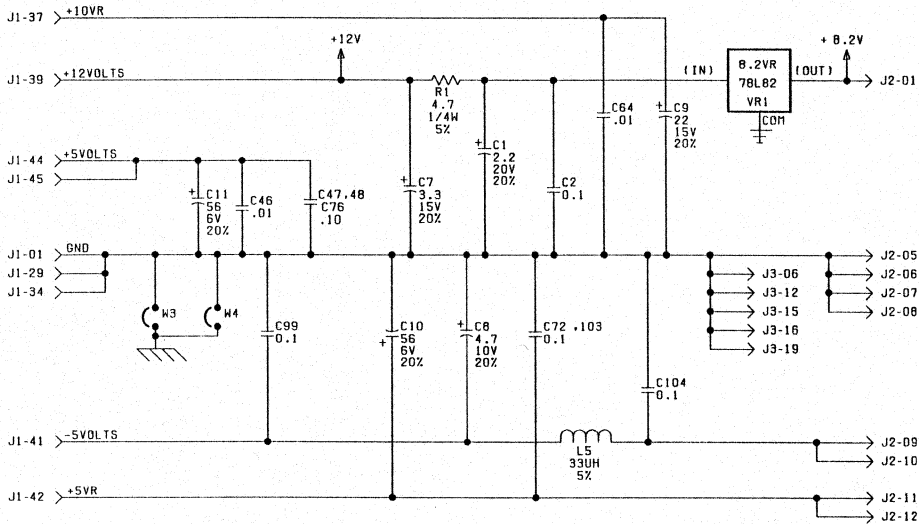
CONN	PL ITEM
J1	66
J2	68
J3	-

VARI DIO	PL ITEM
VVC1	49
VVC2	49
VVC3	49
VVC4	49

VOLT REG	PL ITEM
VR1	51
VR2	53
VR3	53

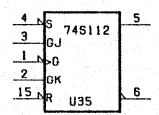
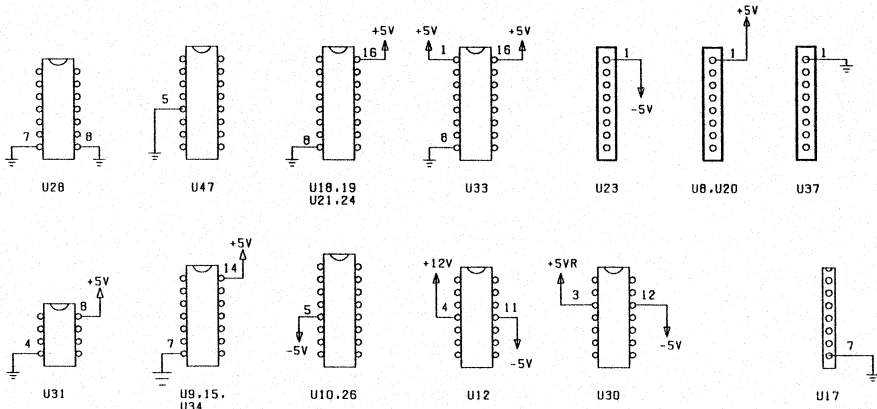
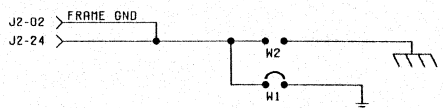
TSTR	PL ITEM
Q1	52
Q2	52
Q3	47
Q4	47
Q5	47
Q6	47
Q7	47
Q8	47
Q9	50
Q10	52
Q11	52

MAGNETIC PERIPHERALS INC. A DIVISION OF CONTROL DATA CORPORATION OKLAHOMA CITY, OKLAHOMA	DATE 09-28-84 DATABASE NAME PWA-ESDI FILE NO. 77763500	TITLE PWA,ESDI DATA	SIZE DRAWING NUMBER D 77763500	CD REV 401
SHEET 2 F			DIST# A23-AY5 1	

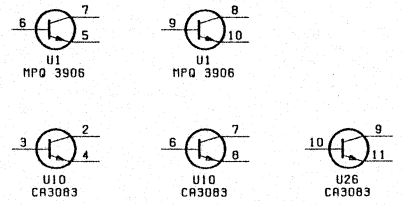


NOTES: (UNLESS OTHERWISE SPECIFIED)

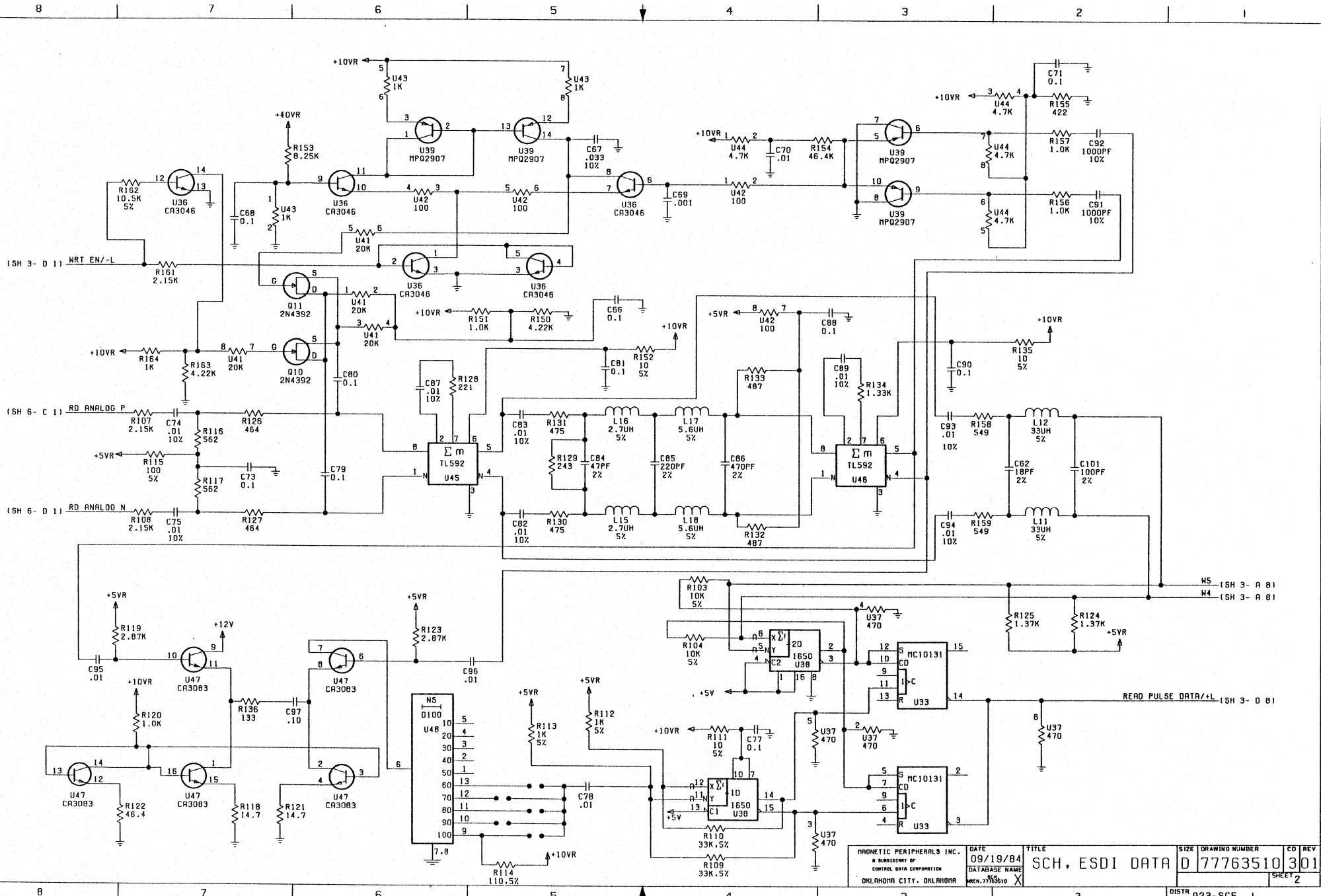
- DRAWING INTERPRETATION PER 43A226599
- RESISTOR VALUES ARE IN OHMS, 1/8W±1%, UNLESS INDICATED
- CAPACITOR VALUES ARE IN MICROFARADS, 50V±80-20%, UNLESS INDICATED



SPARES



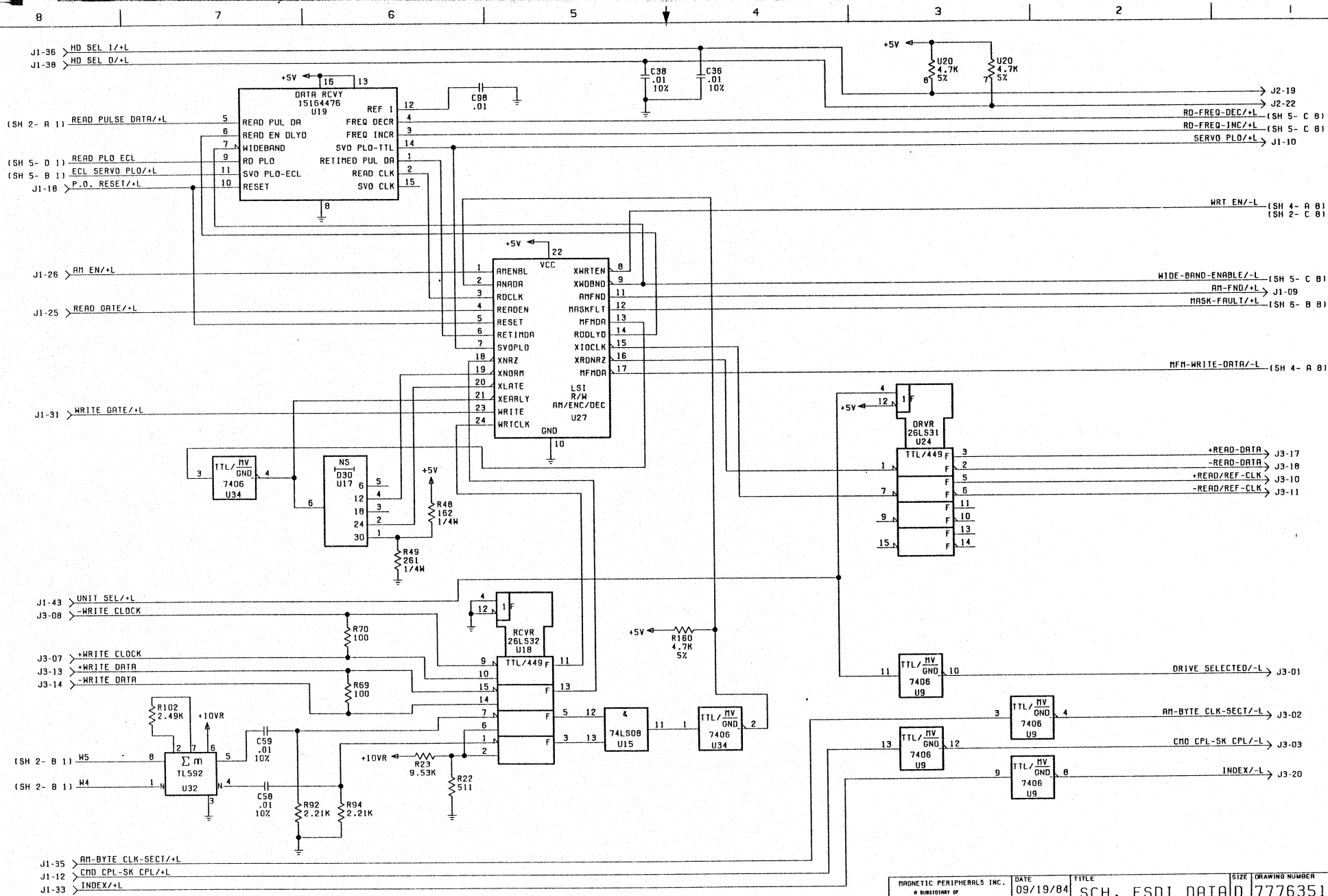
MATERIAL	UNLESS OTHERWISE SPECIFIED DIMENSIONS ARE IN INCHES.	MAGNETIC PERIPHERALS INC.	DWN	TORN	NOO	09/26/84	TITLE	SCH.	SIZE	DRAWING NUMBER	CD	REV
FINISH	3-PLACE 2-PLACE ANGLES	OKLAHOMA CITY, OKLAHOMA	CHKD	ENGR	DATE		ESDI DATA	D	77763510	301		
DO NOT SCALE DRAWING	DO NOT SCALE DRAWING	WREN II	MFG	DATA BASE	SCH.WREN.77763510			SCALE	NONE	SHEET	1	OF 7
								DISTR	A23-SC5			



MAGNETIC PERIPHERALS INC. A SUBSIDIARY OF CONTROL DATA CORPORATION OKLAHOMA CITY, OKLAHOMA	DATE	TITLE	SIZE	DRAWING NUMBER	CD	REV
	09/19/84	SCH. ESDI DATA	D	77763510	301	
DATABASE NAME MECH. 77763510						SHEET
						2

DISTR A23-SC5 1

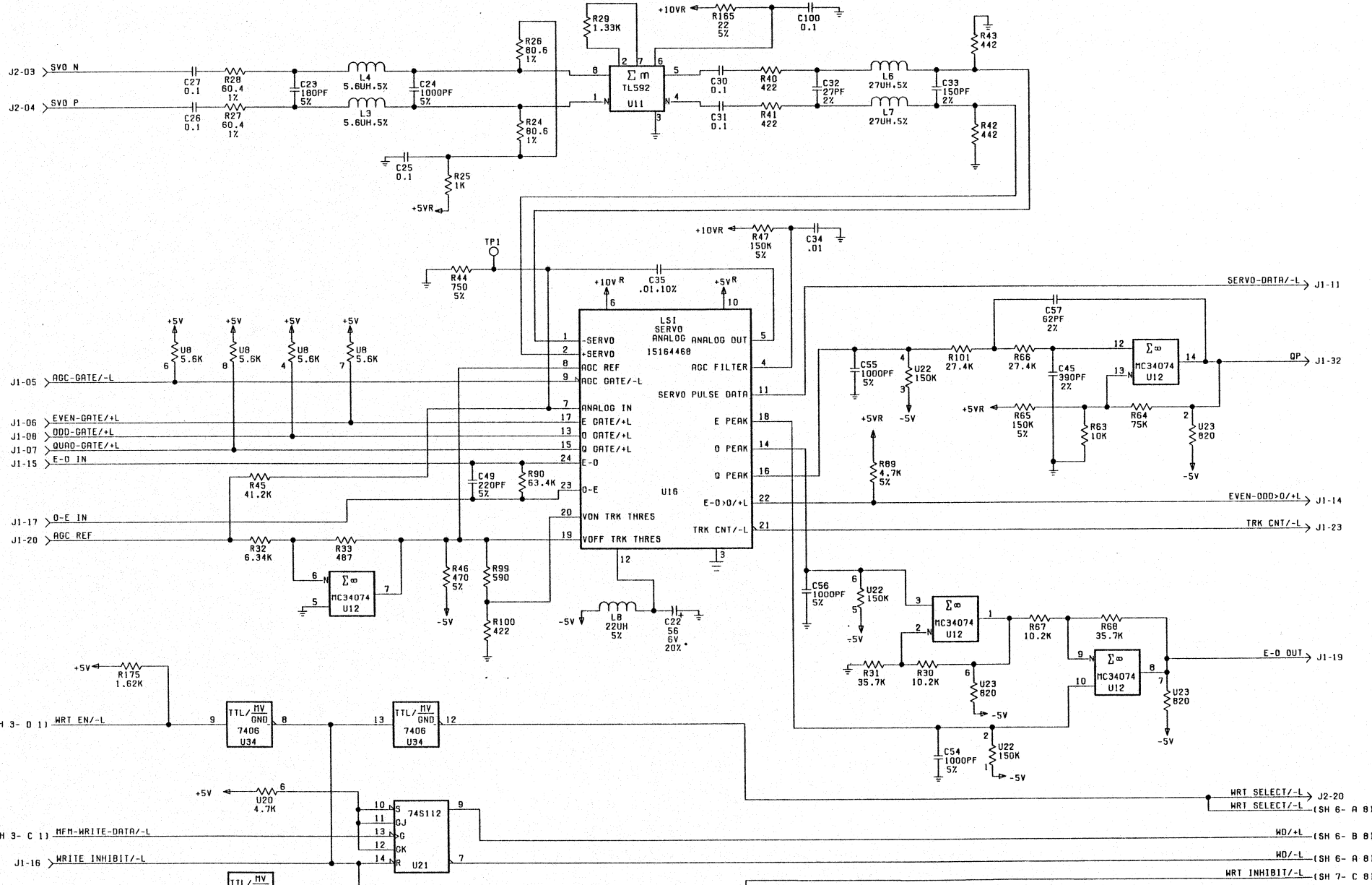
D 77763510-3



MAGNETIC PERIPHERALS INC. A SUBSIDIARY OF CONTROL DATA CORPORATION OKLAHOMA CITY, OKLAHOMA	DATE	TITLE	SIZE	DRAWING NUMBER	CD	REV
	09/19/84	SCH, ESDI DATA	D	77763510	301	
DATABASE NAME MAGNETIC PERIPHERALS INC. 77763510			SHEET		3	

DISTR A23-SC5 1

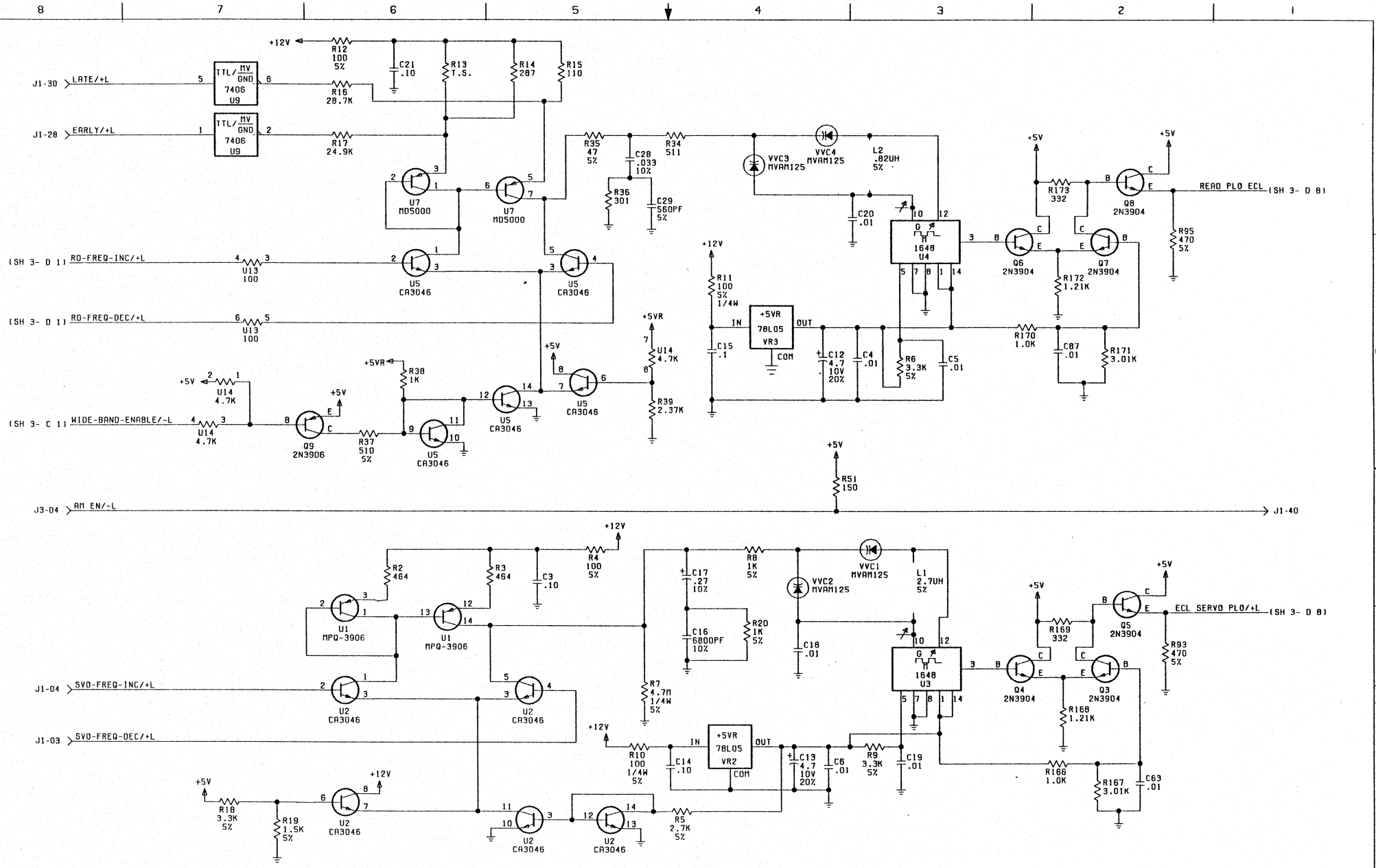
017763510-3



(SH 3-0 1) WRT EN/-L	(SH 6-A 8) WRT SELECT/-L	(SH 6-B 8) HD/+L	(SH 6-A 8) HD/-L	(SH 7-C 8) WRT INHIBIT/-L
(SH 3-C 1) MFM-WRITE-DATA/-L				
J1-16 WRITE INHIBIT/-L				
J1-13 LATCHED FAULT/+L				

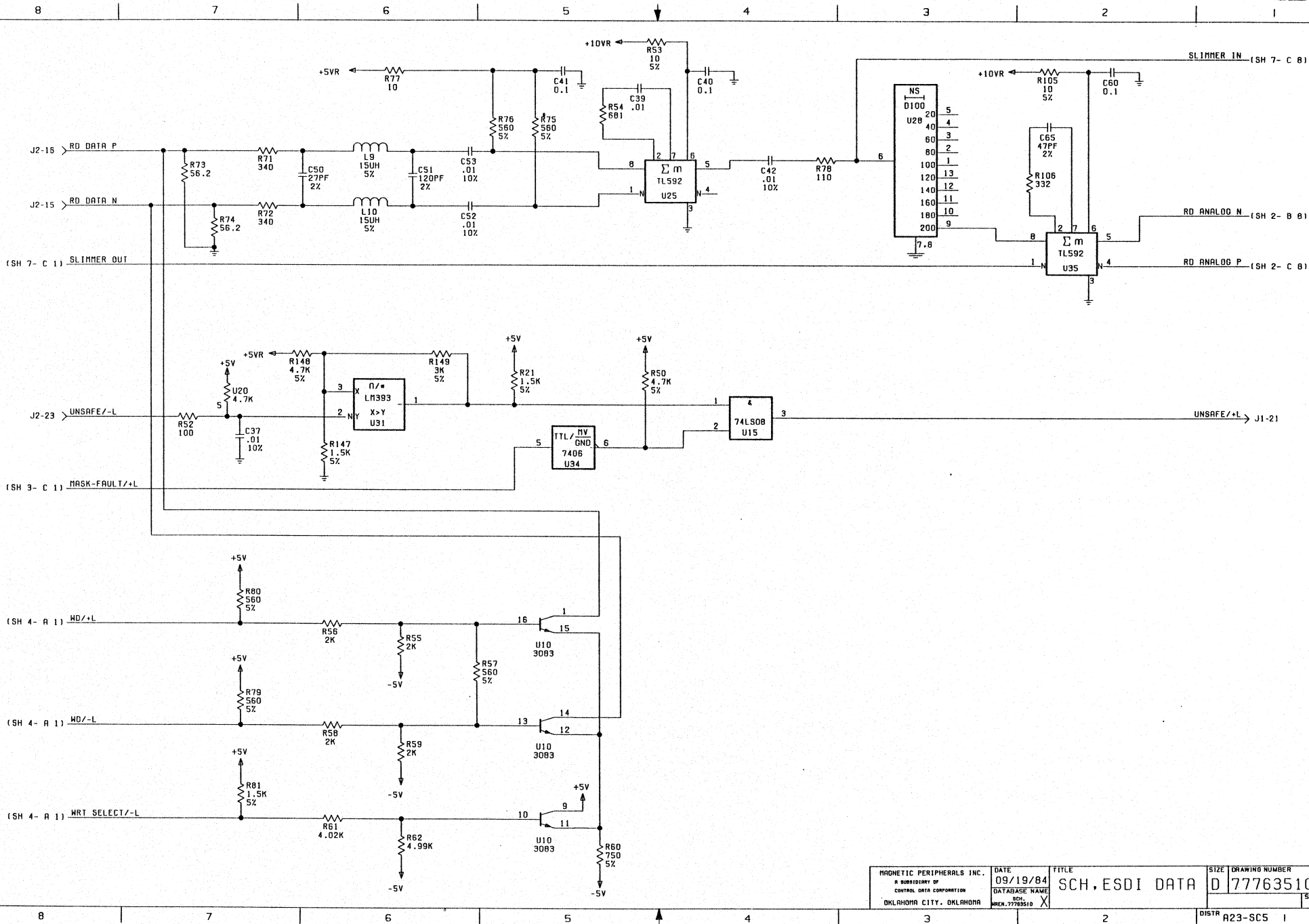
MAGNETIC PERIPHERALS INC. A SUBSIDIARY OF CONTROL DATA CORPORATION OKLAHOMA CITY, OKLAHOMA	DATE 09/19/84 DATABASE NAME SCH, ESDI DATA SCH. WEN. 77763510	TITLE SCH, ESDI DATA	SHEET 4	DRAWING NUMBER D 77763510	CD REV 301
---	---	-------------------------	------------	------------------------------	---------------

D177763510-3



MAGNETIC PERIPHERALS INC. A SUBSIDIARY OF CONTROL DATA CORPORATION OKLAHOMA CITY, OKLAHOMA	DATE 09/19/84	TITLE SCH, ESDI DATA	SIZE D	DRAWING NUMBER 77763510	CD REV 301
---	------------------	-------------------------	-----------	----------------------------	---------------

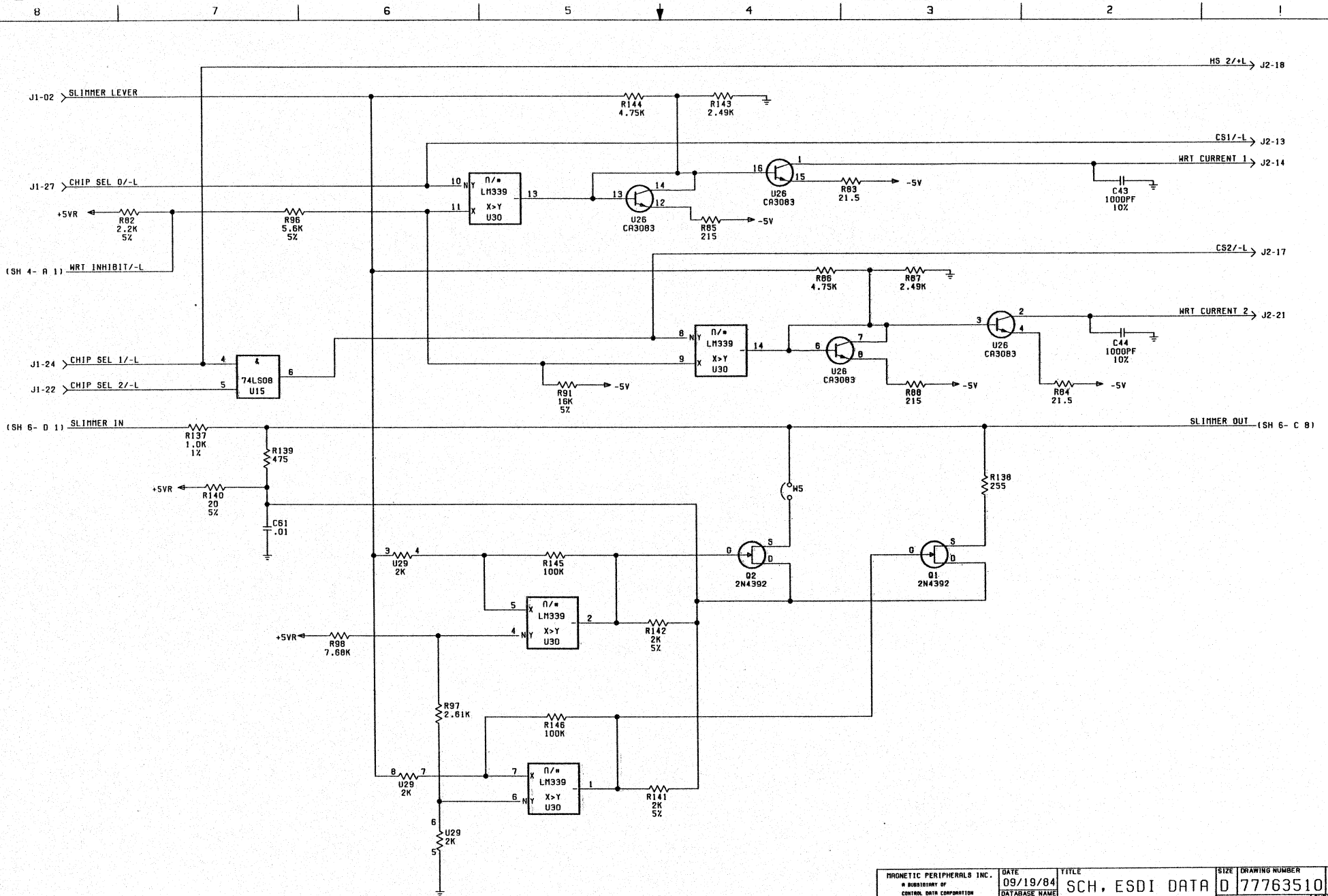
DISTR A23-SC5 1 SHEET 5



MAGNETIC PERIPHERALS INC. A SUBSIDIARY OF CONTROL DATA CORPORATION OKLAHOMA CITY, OKLAHOMA	DATE	TITLE	SIZE	DRAWING NUMBER	CD	REV
	09/19/84	SCH, ESDI DATA	D	77763510	3	01
OKLAHOMA CITY, OKLAHOMA			DISTR		SHEET 6	

DISTR A23-SC5 1

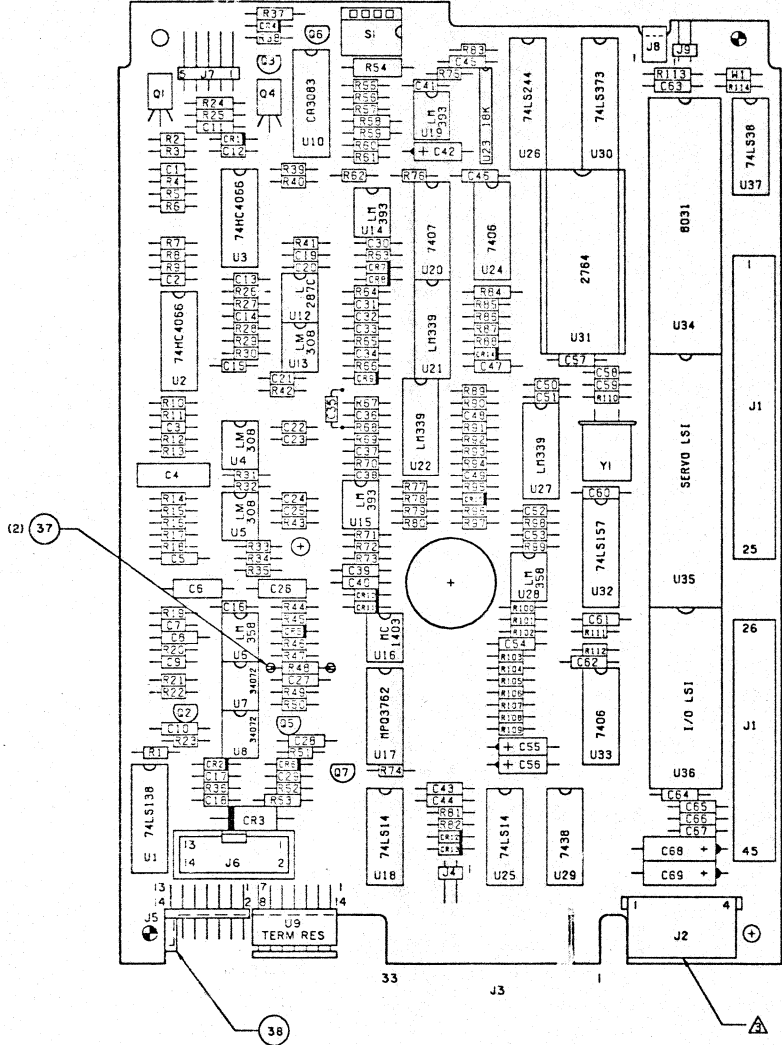
D177763510-2



MAGNETIC PERIPHERALS INC. A DIVISION OF CONTROL DATA CORPORATION OKLAHOMA CITY, OKLAHOMA	DATE	09/19/84	TITLE	SCH, ESDI DATA	SIZE	DRAWING NUMBER	CD	REV	
	DATABASE NAME	SCH	77763510	X	D	77763510	3	01	
							SHEET	7	F

DISTR A23-SC5 1

D 77763510-3

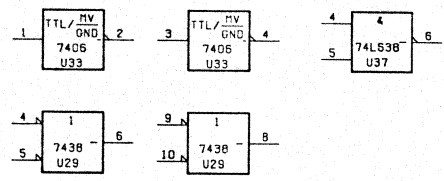
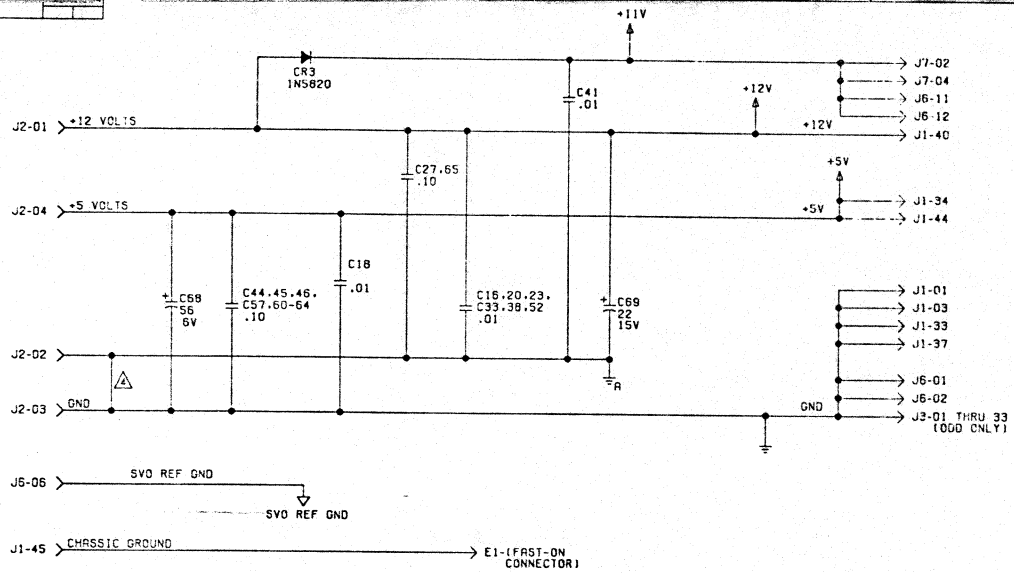


- NOTES: (UNLESS OTHERWISE SPECIFIED)
1. ASSEMBLE PER 59701127, EXCEPT PARAGRAPH 3.8.3.
 2. MAXIMUM COMPONENT HEIGHT SEE SHEET 3.
 3. MARK ASSEMBLY NO. IN APPROXIMATE LOCATION SHOWN PER 12A1099PI ON BACK (SOLDER SIDE).
 4. FOR SCHEMATIC DIAGRAM, SEE ITEM I.
 5. GENERAL WORKMANSHIP PER 10120300.
 6. PACKAGING AND HANDLING PER CDC 1.60.010.
 7. SOLID BAND ON DIODES AND VOLTAGE REGULATORS INDICATES CATHODE END.
 8. U31 (ITEM 18) AND R48 (ITEM 87) TO BE INSTALLED AT PWA TEST.
 9. J2 BOTTOM TAB PROTRUSION .085 MAXIMUM.
 10. REMOVE PIN 1 OF U4, U5 AND U13 (ITEM 11).
 11. INSTALL SOCKETS (ITEMS 32 AND 148) BEFORE IC.
 12. Q1 (ITEM 160) AND Q4 (ITEM 29) TO BE LAID DOWN WITH FLAT SIDE UP.
 13. PWA CLEANLINESS PER CDC 1.60.011, EXCEPT PARAGRAPH 6.1.2 TO BE 15 MICROGRAMS PER SQUARE INCH MAXIMUM.
 14. THE PWA MUST NOT BE TOUCHED IN COMPONENT OR RUN AREAS. THE PWA SHOULD BE HANDLED BY THE EDGES OR CORNERS.

X05 12-09-85 TF
X04 11-21-85 SR6
X03 11-13-85 TF
X02 11-12-85 TF
X01 10-23-85 TF

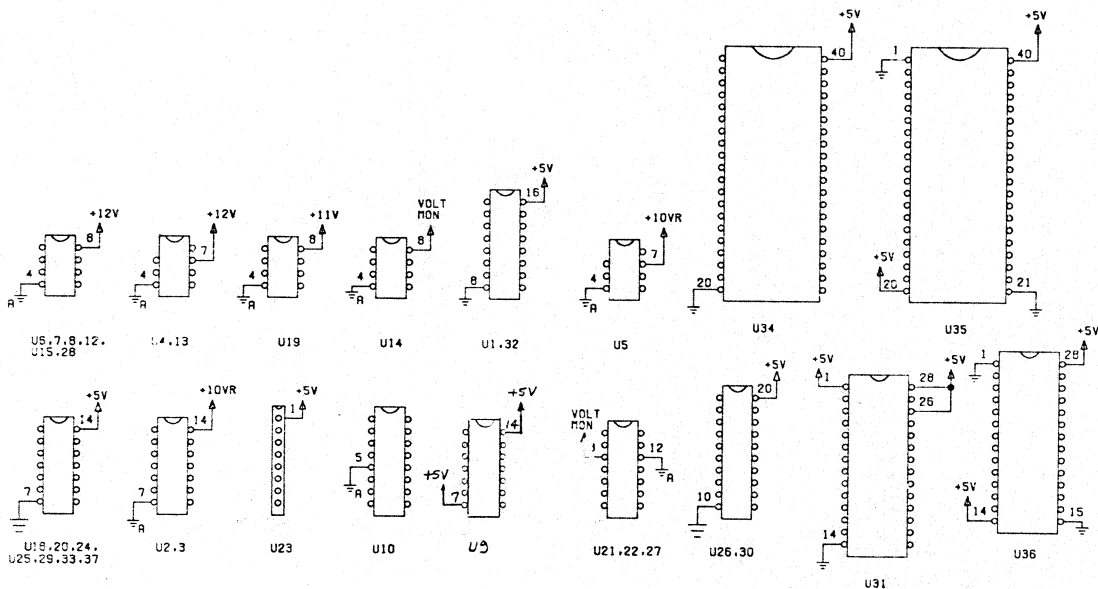
MATERIAL	UNLESS OTHERWISE SPECIFIED	MAGNETIC PERIPHERALS INC. A SUBSIDIARY OF CENTRAL DATA CORPORATION OKLAHOMA CITY, OKLAHOMA PROJECT PWA 3-94166	OWN	BOB FURP	10-23-85	TITLE PWA, WREN 3 SERVO	SIZE DRAWING NUMBER D 77764050	CD REV 901
	TOLERANCES		CHKD	ENG	DATE			
	3-PLACE 2-PLACE ANGLES		ENG	DATE				
FINISH	DO NOT SCALE DRAWING		MFG				SCALE 2/1	SHEET 1 OF 4
			DATA BY	PWB.WREN, 7764070	X		DISTR A24-RYS 1	

SHEET REVISION STATUS										REVISION RECORD				
REV	DATE	BY	CHKD	APP'D	REV	DATE	BY	CHKD	APP'D	REV	DATE	BY	CHKD	APP'D
7	6	5	4	3	2	1								
01	01	01	01	01	01	01	01	01	01	01	01	01	01	01



SPARES

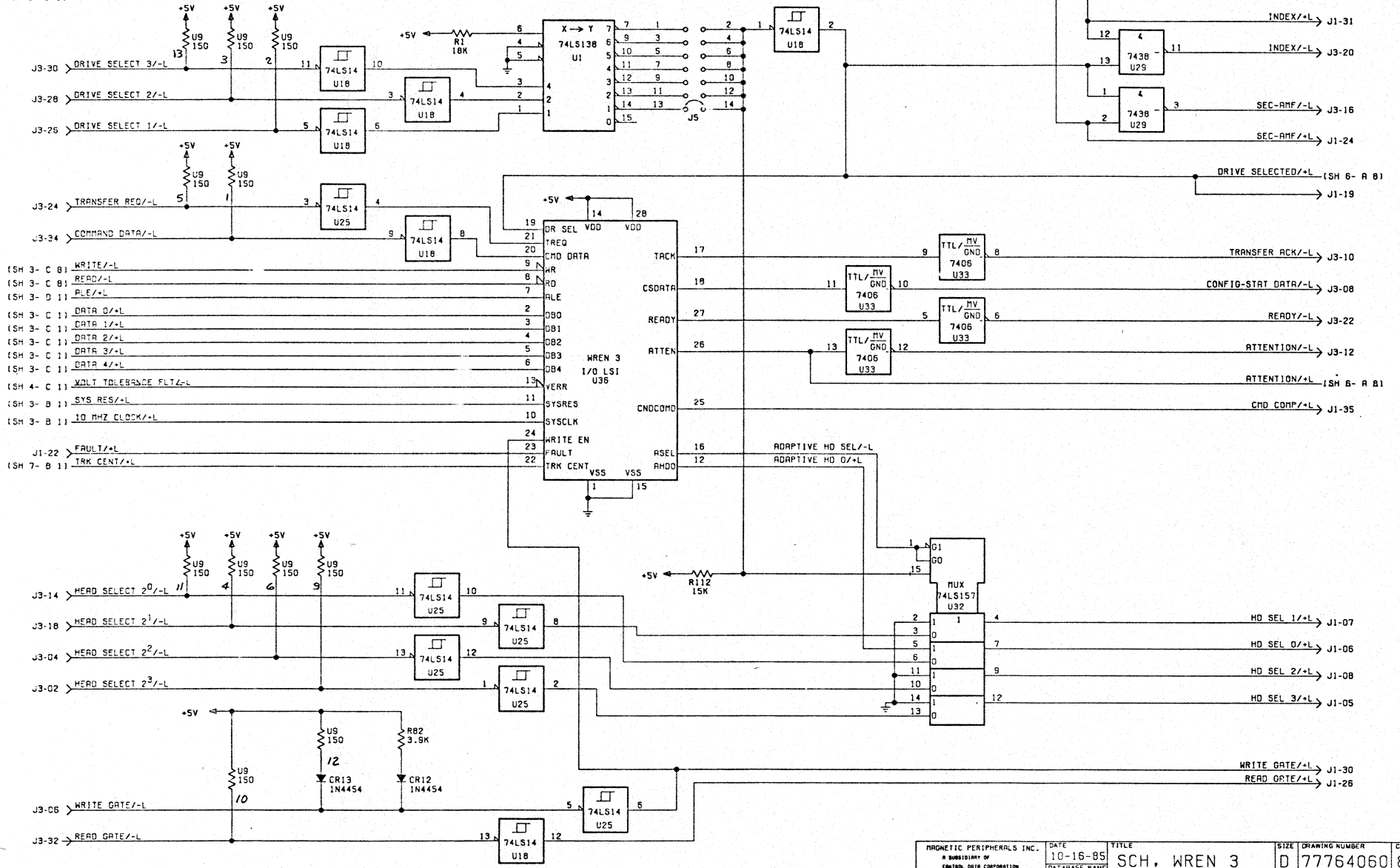
- NOTES: (UNLESS OTHERWISE SPECIFIED)
- CAPACITOR VALUES ARE IN MICROFARADS. +80-20%, 50V EXCEPT ELECTROLYTIC ARE ±20%
 - RESISTOR VALUES ARE IN OHMS, 1/8W, ±5%
 - RESISTORS 1W AND GREATER ARE FLAME PR OOF.
 - △ 4. $\frac{\perp}{R}$ DENOTES ANALOG GROUND. LOGIC GROUND AND ANALOG GROUND ARE TIED TOGETHER AT THE CONNECTOR.
 - △ 5. GUARDING REQUIREMENTS
 △ GUARD WITH +2.5 VREF
 △ GUARD WITH SVO REF GND
 △ GUARD WITH +5V REF
 - △ 6. R48 AND R103 GND TO BE CLOSE TO U13-3(GND).



REV X05 12-09-85
 REV X04 11-21-85
 REV X03 11-13-85
 REV X02 11/12/85
 REV X01 10/30/85

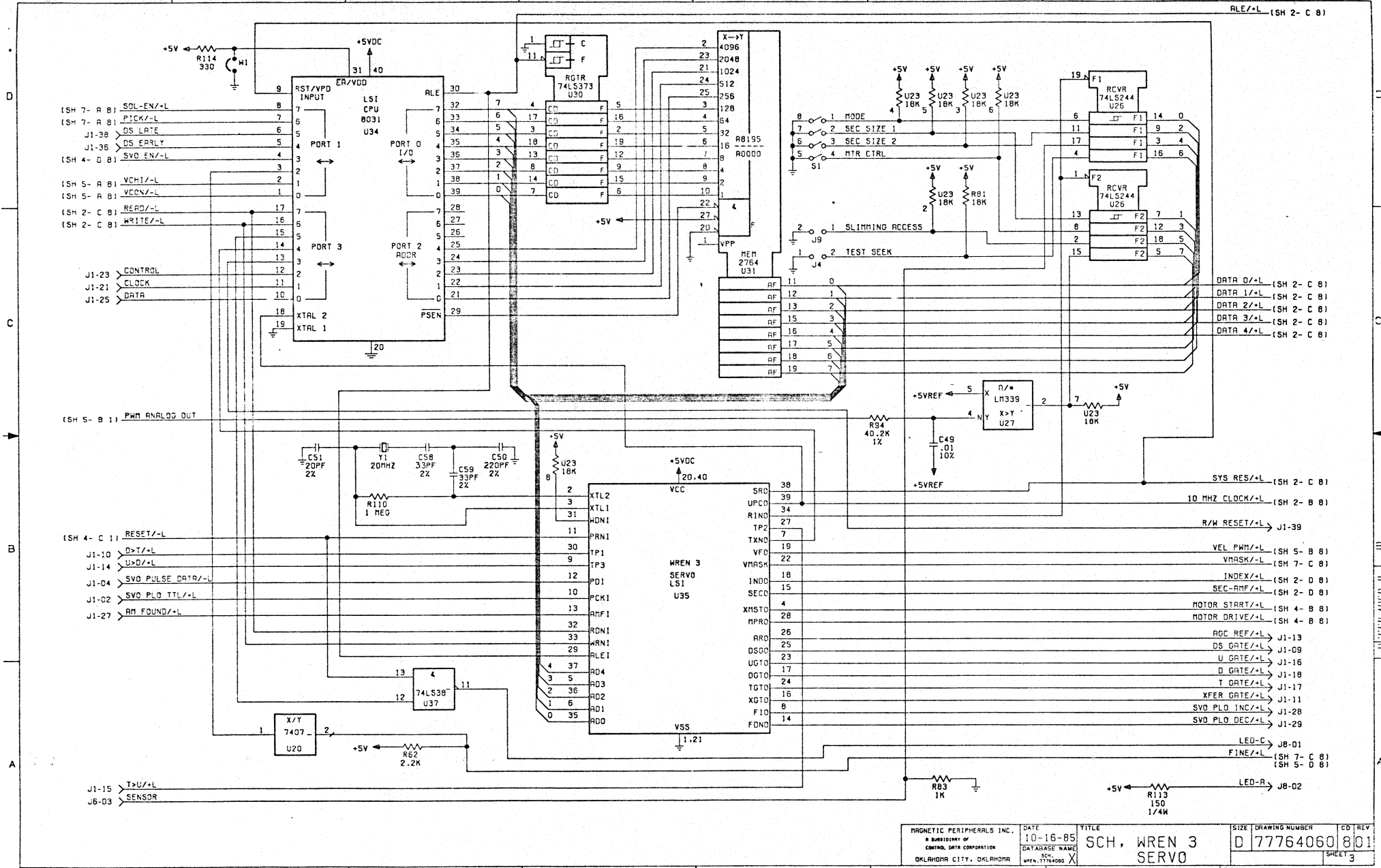
MATERIAL	UNLESS OTHERWISE SPECIFIED DIMENSIONS ARE IN INCHES.	3-PLACE 2-PLACE ANGLES	DO NOT SCALE DRAWING	PRONETIC PERIPHERALS INC. A DIVISION OF CONTROL DATA CORPORATION OKLAHOMA CITY, OKLAHOMA	DWN: 029 FUNK 10-18-85	TITLE	SIZE	DRAWING NUMBER	CD	REV
FINISH				WREN 3-94166	CHKD: 10-2-85	SCH WREN 3 SERVO	D	77764060	8	01
					MFG:		SCALE	NONE	SHEET	1 OF 7
					DATA BASE: SCH.WREN.77764060		DISTR	A24-SC5		

(SH 3- B 1) INDEX/+L
 (SH 3- B 1) SEC-AMF/+L



MAGNETIC PERIPHERALS INC. A SUBSIDIARY OF CONTROL DATA CORPORATION OKLAHOMA CITY, OKLAHOMA	DATE 10-16-85 DATABASE NAME SCH, WREN 3 SERVO	TITLE SCH, WREN 3 SERVO	SIZE D 77764060	DRAWING NUMBER 801	CD REV 2
---	---	-------------------------------	--------------------	-----------------------	----------------

DISTR A24-SC5 1



(SH 7- A 8) SOL-EN/+L
 (SH 7- A 8) PICK/-L
 J1-38 OS LATE
 J1-36 OS EARLY
 (SH 4- D 8) SVO EN/+L
 (SH 5- A 8) VCHI/-L
 (SH 5- A 8) VCCN/-L
 (SH 2- C 8) READ/-L
 (SH 2- C 8) WRITE/-L

J1-23 CONTROL
 J1-21 CLOCK
 J1-25 DATA

(SH 5- B 1) PWM ANALOG OUT

(SH 4- C 1) RESET/-L
 J1-10 D>T/+L
 J1-14 U>D/+L
 J1-04 SVO PULSE DATA/-L
 J1-02 SVO PLO TTL/+L
 J1-27 AM FOUND/+L

J1-15 T>U/+L
 J6-03 SENSOR

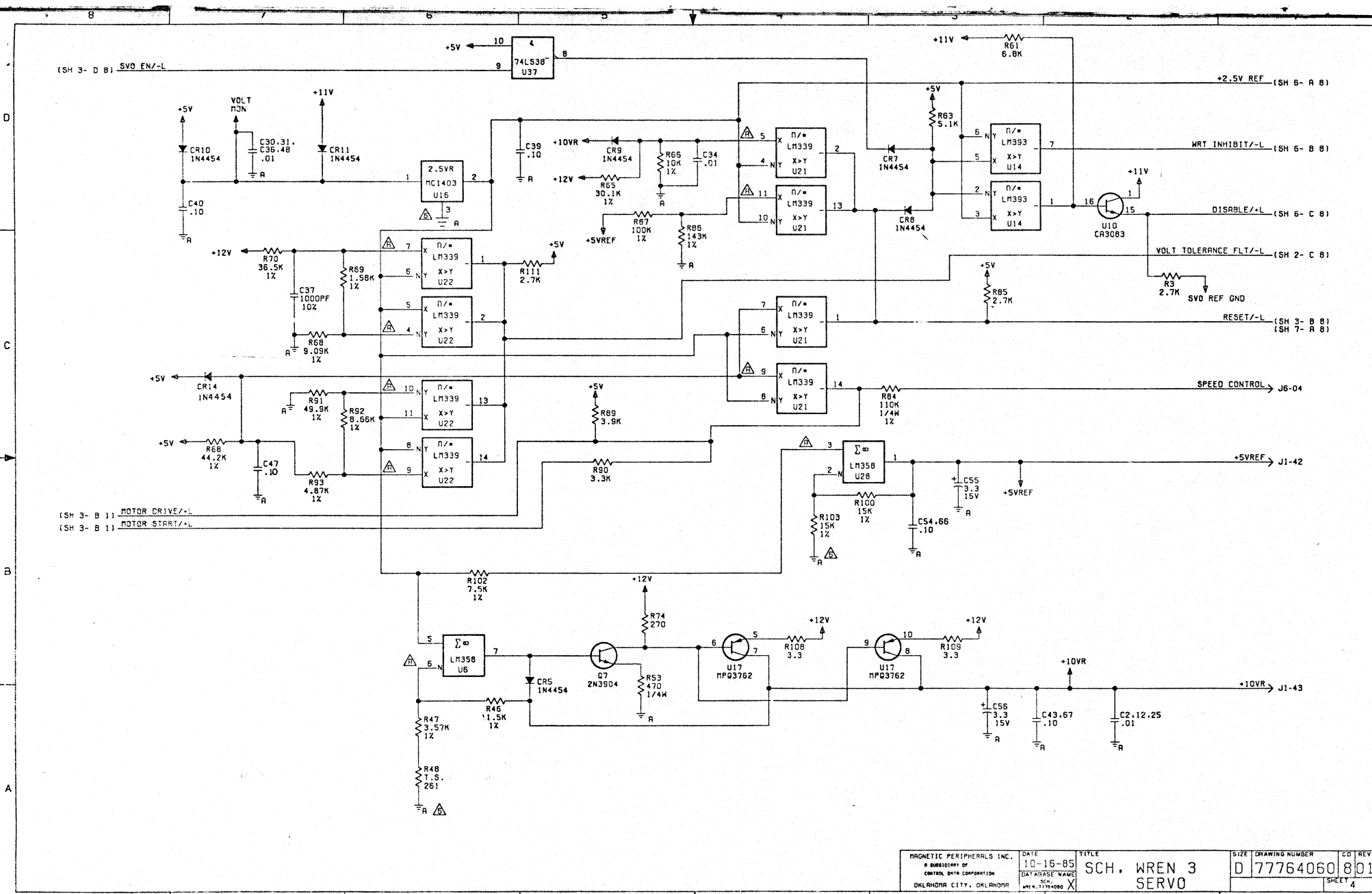
DATA 0/+L (SH 2- C 8)
 DATA 1/+L (SH 2- C 8)
 DATA 2/+L (SH 2- C 8)
 DATA 3/+L (SH 2- C 8)
 DATA 4/+L (SH 2- C 8)

SYS RES/+L (SH 2- C 8)
 10 MHZ CLOCK/+L (SH 2- B 8)
 R/W RESET/+L J1-39
 VEL PWM/+L (SH 5- B 8)
 VMASK/+L (SH 7- C 8)
 INDEX/+L (SH 2- D 8)
 SEC-AMP/+L (SH 2- D 8)
 MOTOR START/+L (SH 4- B 8)
 MOTOR DRIVE/+L (SH 4- B 8)

AGC REF/+L J1-13
 DS GATE/+L J1-09
 U GATE/+L J1-16
 D GATE/+L J1-18
 T GATE/+L J1-17
 XFER GATE/+L J1-11
 SVO PLO INC/+L J1-28
 SVO PLO DEC/+L J1-29

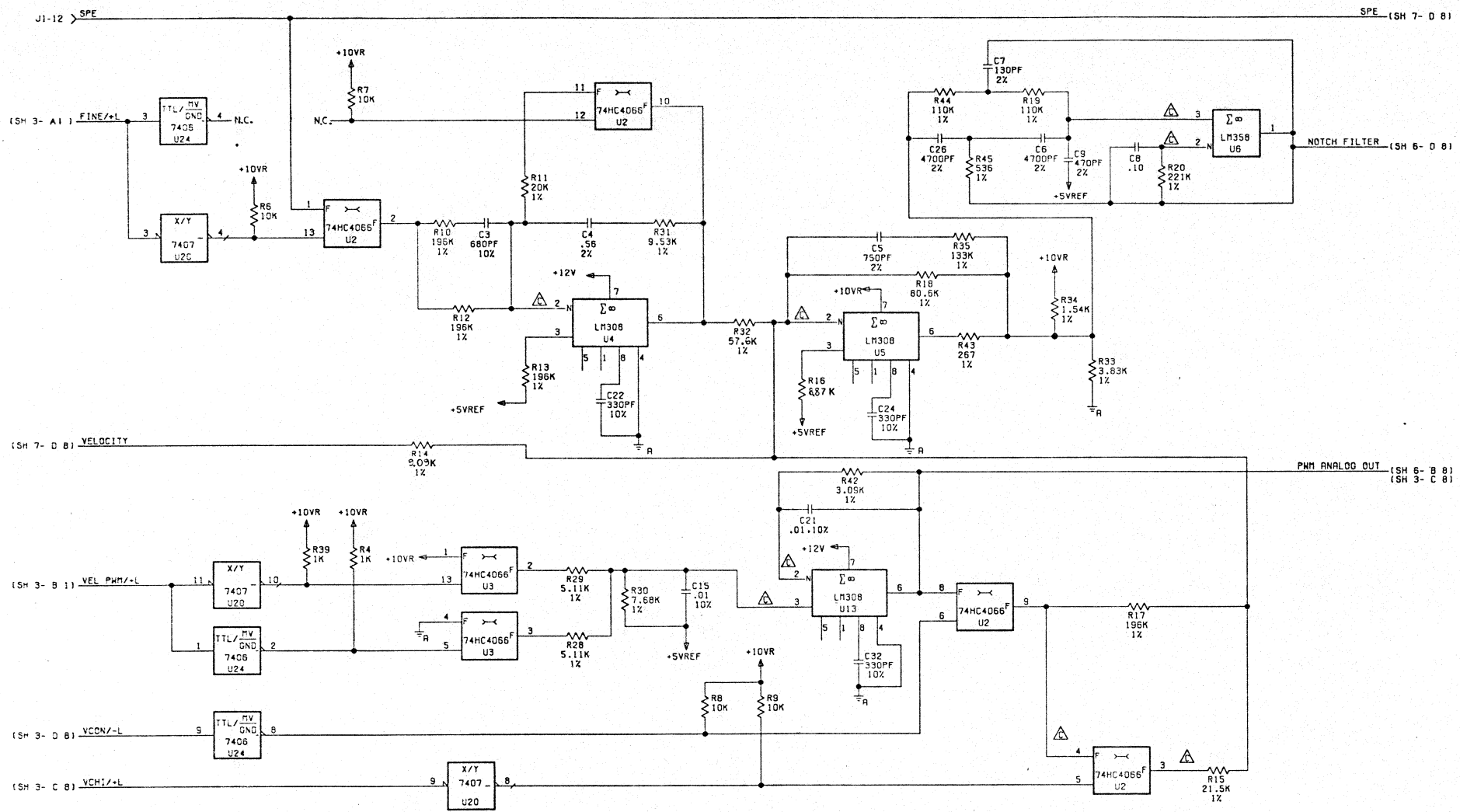
LED-C J8-01
 FINE/+L (SH 7- C 8)
 (SH 5- D 8)
 LED-A J8-02

MAGNETIC PERIPHERALS INC. A DIVISION OF CONTROL DATA CORPORATION OKLAHOMA CITY, OKLAHOMA	DATE 10-16-85 DATABASE NAME SCH, WREN 3 WREN 77764060 X	TITLE SCH, WREN 3 SERVO	SIZE D	DRAWING NUMBER 77764060	CD REV 801
---	---	-------------------------------	-----------	----------------------------	---------------



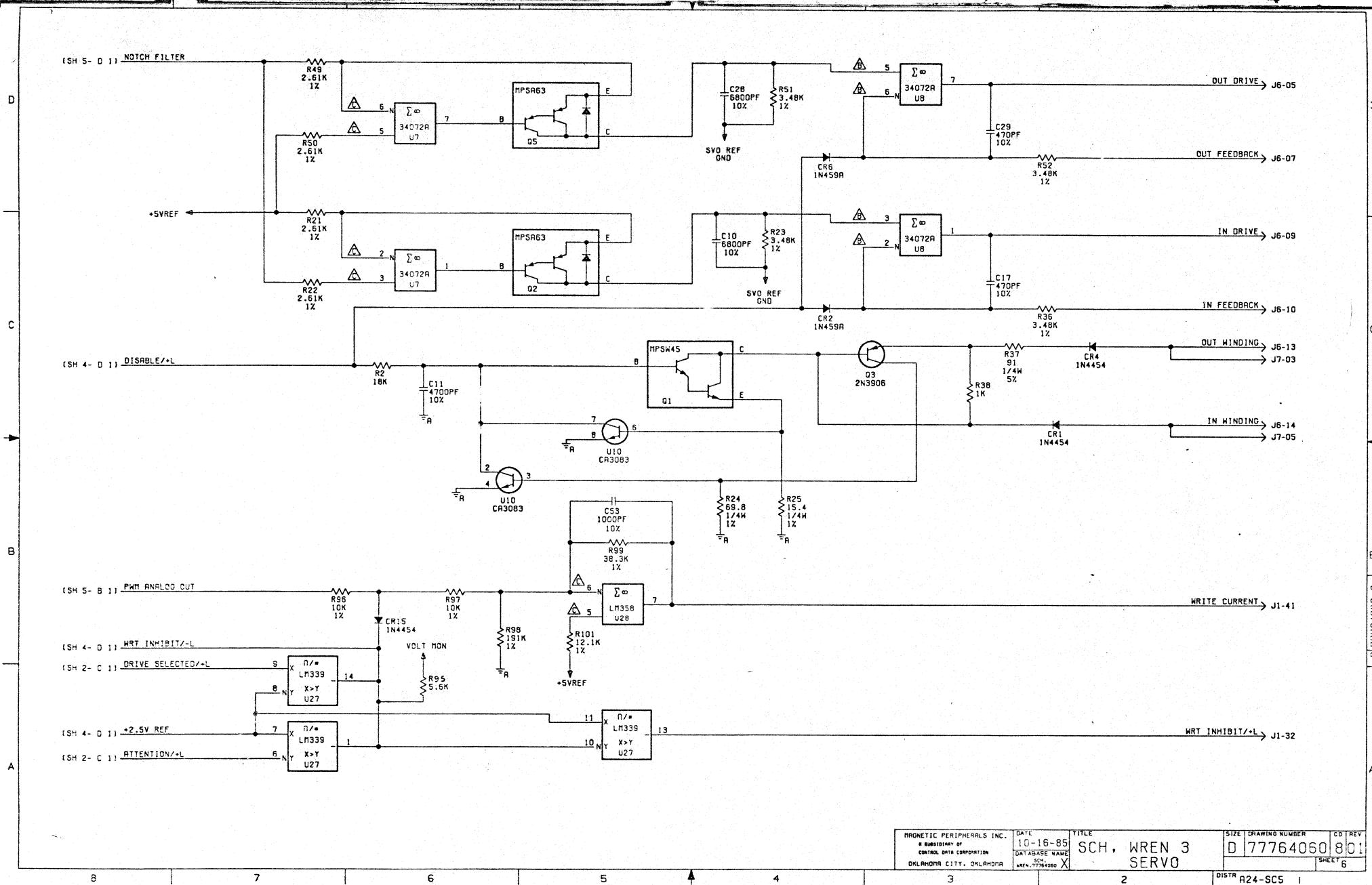
MAGNETIC PERIPHERALS INC. A SUBSIDIARY OF CONTROL DATA CORPORATION OKLAHOMA CITY, OKLAHOMA	DATE 10-16-85 DATABASE NAME SCH, WREN 3	TITLE SCH, WREN 3 SERVO	SIZE D 77764060	DRAWING NUMBER 801	CD REV 4
---	--	-------------------------------	--------------------	-----------------------	-------------

DISTR A24-SC5 1



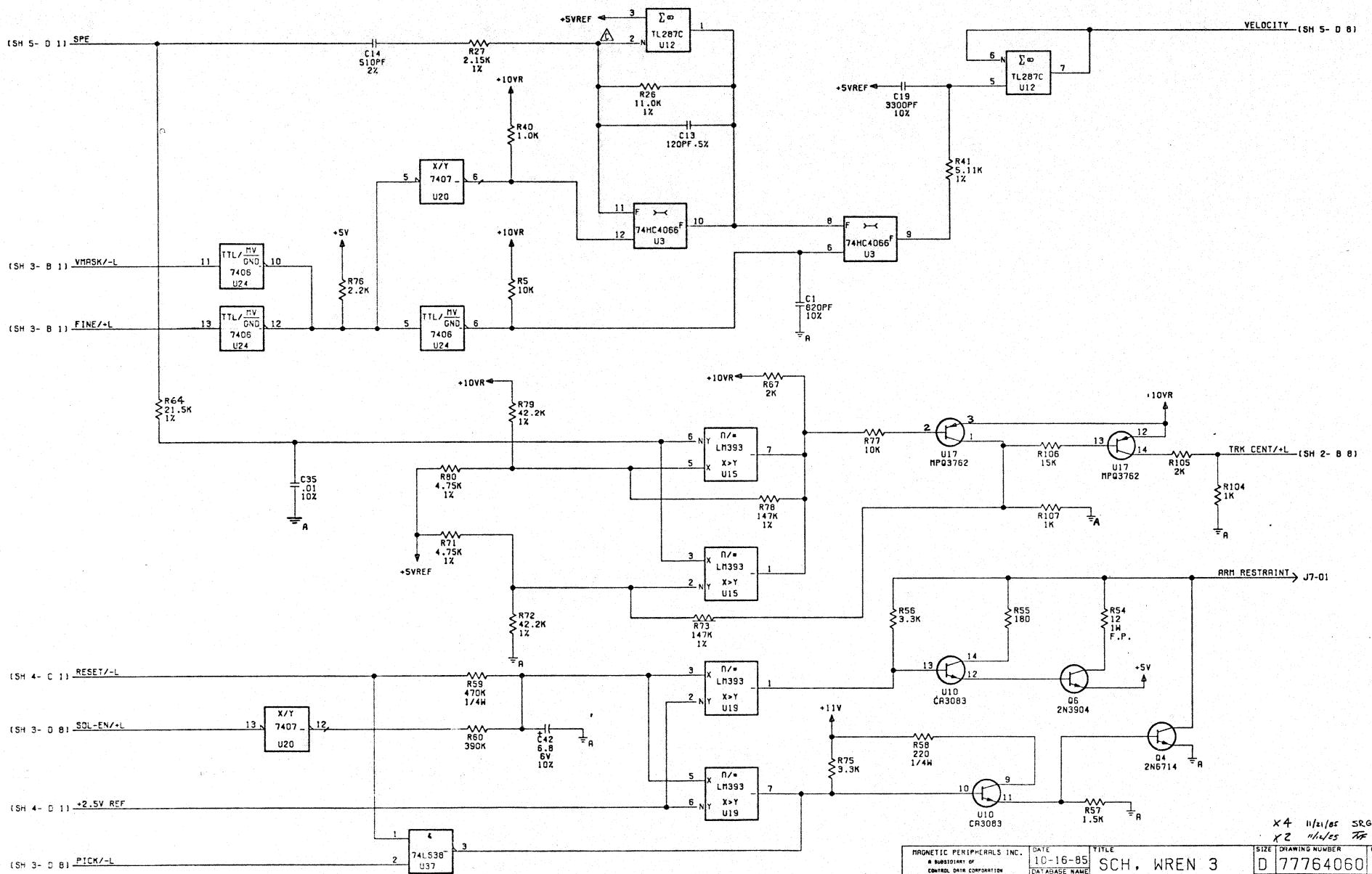
REV X05 12-09-85 TF
 REV X03 11-13-85 TF

MAGNETIC PERIPHERALS INC. A SUBSIDIARY OF CENTRA DATA CORPORATION OKLAHOMA CITY, OKLAHOMA	DATE 10-16-85 DRAWING NAME SCH. WREN 3 SERVO	TITLE SCH. WREN 3 SERVO	SIZE D	DRAWING NUMBER 77764060	CD 801	REV S
--	--	-------------------------------	-----------	----------------------------	-----------	----------



MAGNETIC PERIPHERALS INC. A SUBSIDIARY OF CONTROL DATA CORPORATION OKLAHOMA CITY, OKLAHOMA	DATE 10-16-85	TITLE SCH, WREN 3 SERVO	SIZE D 77764060	DRAWING NUMBER 801	CD REV SHEET 6
---	------------------	-------------------------------	--------------------	-----------------------	-------------------

DISTR A24-SC5 1



MAGNETIC PERIPHERALS INC. A DIVISION OF CONTROL DATA CORPORATION OKLAHOMA CITY, OKLAHOMA	DATE 10-16-85	TITLE SCH. WREN 3 SERVO	SIZE D	DRAWING NUMBER 77764060	CD REV 801	SHEET 7F
---	------------------	-------------------------------	-----------	----------------------------	---------------	-------------

X4 11/21/85 SRG
X2 11/15/85 JF

DISTR A24-SC5 1

RES	PL ITEM
R1	28
R2	28
R3	25
R4	38
R5	28
R6	39
R7	28
R8	38
R9	34
R10	39
R11	29
R12	28
R13	38
R14	38
R15	26
R16	39
R17	30
R18	28
R19	30
R20	33
R21	28
R22	30
R23	30
R24	28
R25	28
R26	30
R27	30
R28	28
R29	24
R30	24
R31	39
R32	38

CAP	PL ITEM
C1	20
C2	19
C3	21
C4	21
C5	20
C6	43
C7	35
C8	40
C9	21
C10	42
C11	42
C12	42
C13	42
C14	42
C15	42
C16	21
C17	21

TSTR	PL ITEM
Q1	11
Q2	11
Q3	13
Q4	12
Q5	13
Q6	12
Q7	13
Q8	12
Q9	10
Q10	14
Q11	14

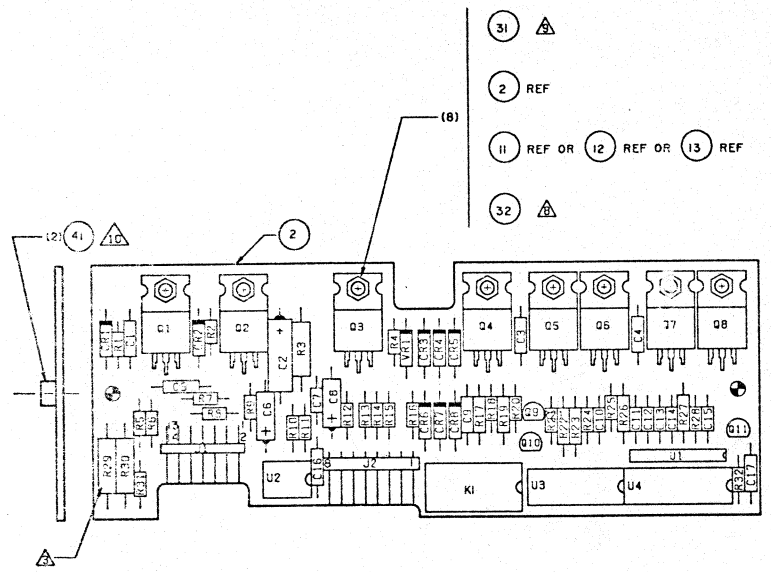
DIO	PL ITEM
CR1	15
CR2	15
CR3	16
CR4	16
CR5	16
CR6	16
CR7	16
CR8	16

IC	PL ITEM
U1	9
U2	6
U3	7
U4	5

VOLT REG	PL ITEM
VR1	36

CONN	PL ITEM
J1	22
J2	23

RLY	PL ITEM
K1	37



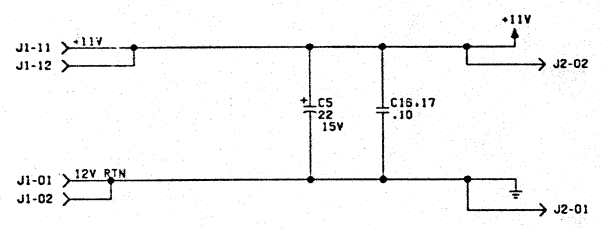
NOTES: (UNLESS OTHERWISE SPECIFIED)

- ASSEMBLE PER 59701127, EXCEPT PARAGRAPH 3.8.3.
- MAXIMUM COMPONENT HEIGHT 0.25, EXCEPT KI IS 0.40.
- MARK ASSEMBLY NO. BACK SIDE IN APPROXIMATE LOCATION SHOWN PER I2A1099PI.
- FOR SCHEMATIC DIAGRAM, SEE ITEM 1.
- GENERAL WORKMANSHIP PER I0I20300.
- PACKAGING AND HANDLING PER CDC I.60.010.
- SOLID BAND ON DIODES AND VOLTAGE REGULATORS INDICATES CATHODE END.
- TORQUE 3.5 - 4.0 IN/LBS BEFORE SOLDERING. AFTER INITIAL TIGHTENING, THE TORQUE MAY RELAX TO A MINIMUM OF 2.0 IN/LBS.
- STUD (ITEM 31) PROTRUSION ON BACK (SOLDER SIDE) 0.03 MAXIMUM AFTER FLOW SOLDER.
- INSTALL STANDOFF (ITEM 4) ON BACK (SOLDER SIDE) AFTER FLOW SOLDER.

MATERIAL	UNLESS OTHERWISE SPECIFIED DIMENSIONS ARE IN INCHES.	MAGNETIC PERIPHERALS INC.	DWN	SUSIE EVANS	10-18-85	TITLE	PWA MOTOR CONTROL	SIZE	DRAWING NUMBER	CD	REV
	TOLERANCES	© HOLDINGS OF	CHKD						D 77774070		501
	3-PLACE 2-PLACE ANGLES	OKLAHOMA CITY, OKLAHOMA	ENCH								
	DO NOT SCALE DRAWING	REN III	MFG						SCALE NONE	SHEET	1 of 1
						DATA BASE					
						PWB AREN 11774080	X				
									DISTR	A24-RYS	1

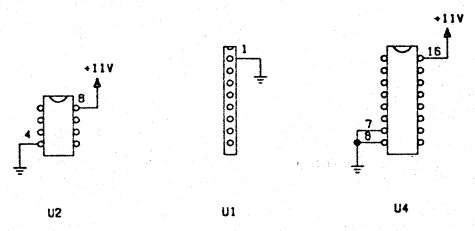
CD	STATUS	REVISION

SHEET REVISION STATUS			REVISION RECORD			
3	2	1	REV	ECB	DATE	BY
01	01	01	01	CLASS C RELEASED		



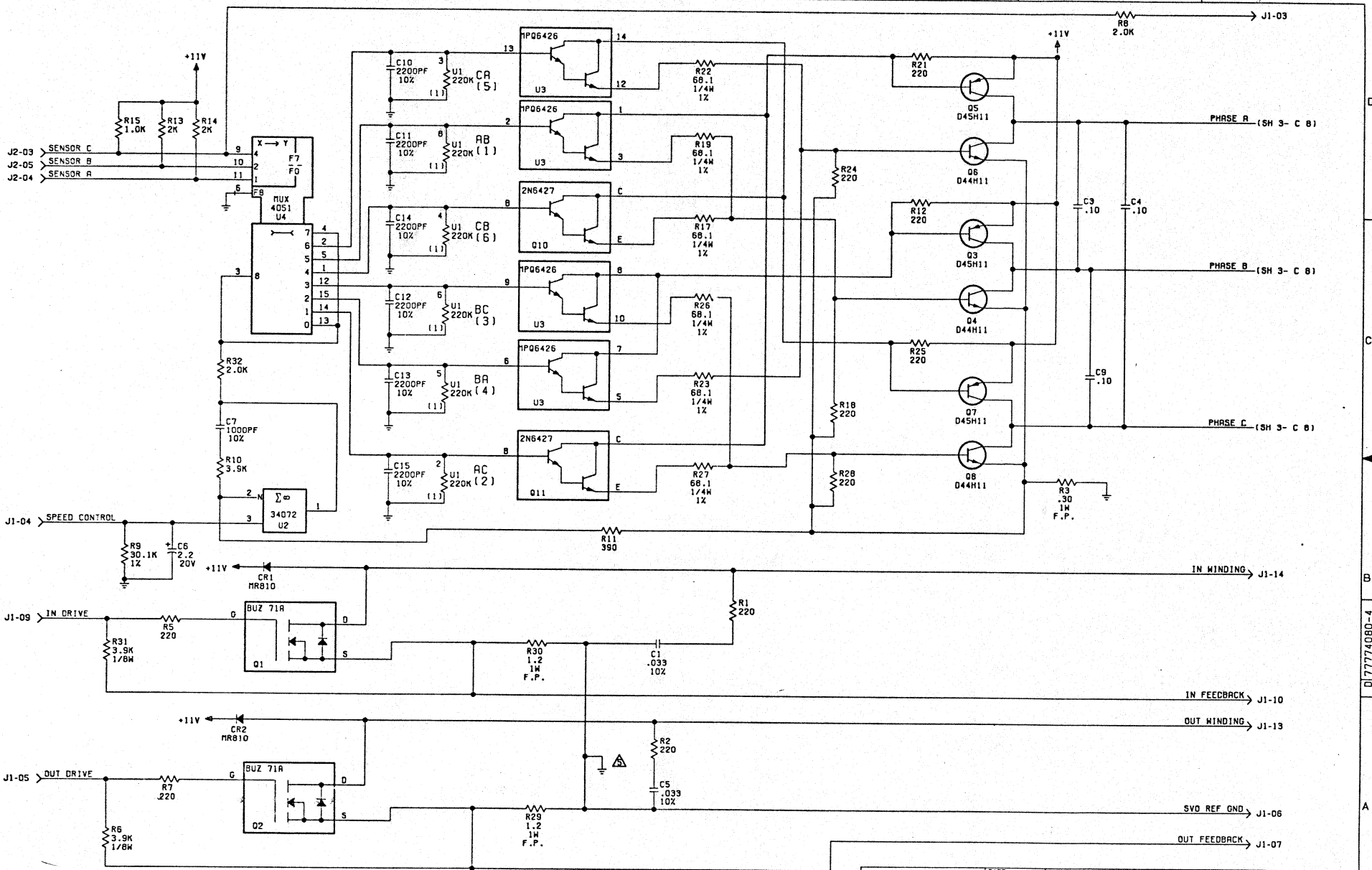
NOTES: (UNLESS OTHERWISE SPECIFIED)

1. CAPACITOR VALUES ARE IN MICROFARADS, 50V, +80-20%, EXCEPT ELECTROLYTIC ARE ±20%
2. RESISTOR PACK (U1) IS ±2%
3. RESISTOR VALUES ARE IN OHMS, 1/8W, ±5%
4. PHASE AND SENSOR SEQUENCE IS A,B,C. SENSOR DECODE SEQUENCE IS 5,1,3,2,6,4 FOR PHASE DECODES OF AB,AC,BC,BA,CA,CB.
- Δ 5. THE SOURCE OF SVO REF GND IS AT THE JUNCTION OF R27 AND R28 WHERE THEY ARE TIED TO GROUND



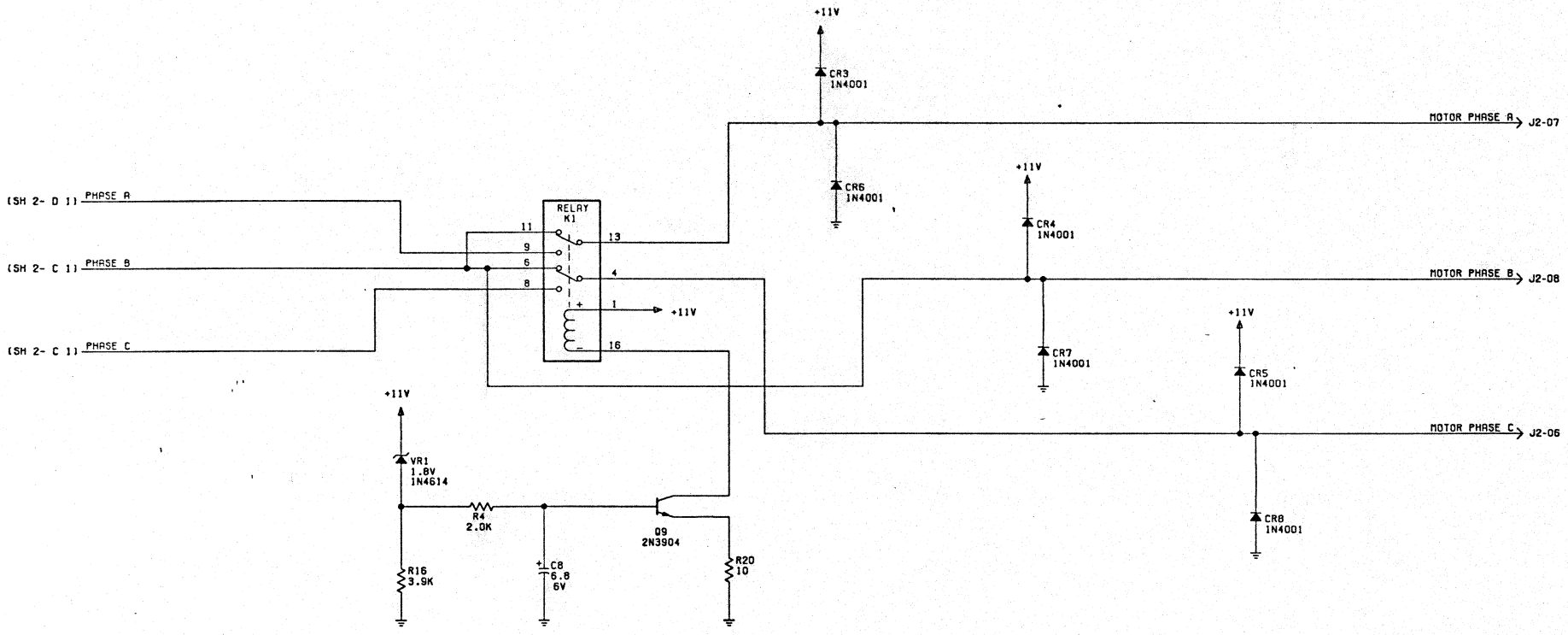
D 77774080-4

MATERIAL	UNLESS OTHERWISE SPECIFIED DIMENSIONS ARE IN INCHES.	MAGNETIC PERIPHERALS INC. A SUBSIDIARY OF CONTROL DATA CORPORATION OKLAHOMA CITY, OKLAHOMA	OWN	TOWN	10-24-83	TITLE	SIZE	DRAWING NUMBER	CD	REV
FINISH	3-PLACE 2-PLACE ANGLES	WREN III	CHKD	ENGR	WFO	SCH, WREN 3 MOTOR CONTROL	D	77774080	4	01
	DO NOT SCALE DRAWING						SCALE	NONE	SHEET	1 OF 3
							DISTR	R24-SC5		1



MAGNETIC PERIPHERALS INC. A SUBSIDIARY OF CONTROL DATA CORPORATION OKLAHOMA CITY, OKLAHOMA	DATE 10-24-85 DATABASE NAME SCH. WREN. 37774080 X	TITLE SCH. WREN 3 MOTOR CONTROL	SIZE DRAWING NUMBER D 77774080	CD REV 401
DISTR R24-SC5 1			SHEET 2	

D17774080-4



D
C
B
A

077774080-4

B

7

6

5

4

3

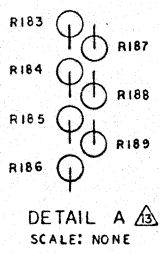
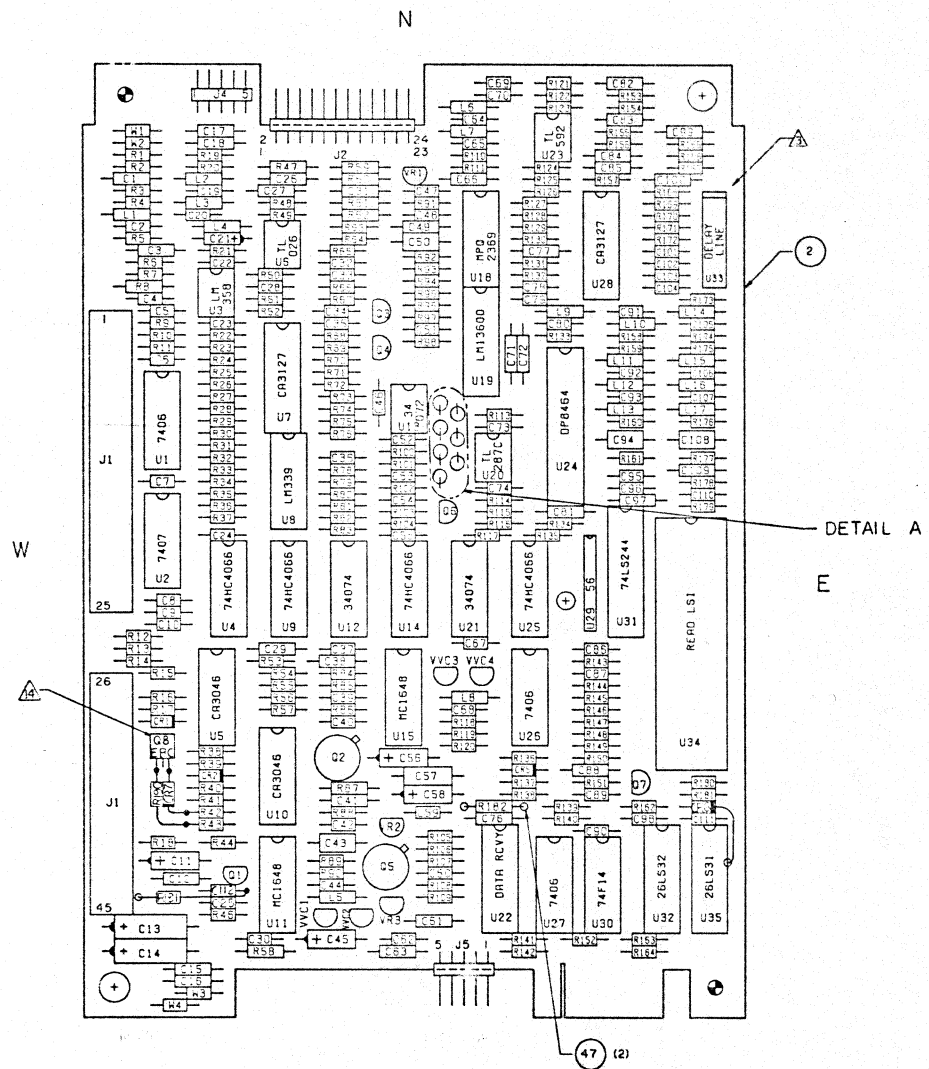
2

DISTR A24-SCS 1

MAGNETIC PERIPHERALS INC. A SUBSIDIARY OF CONTROL DATA CORPORATION OKLAHOMA CITY, OKLAHOMA	DATE 10-24-85	TITLE SCH. WREN 3 MOTOR CONTROL	SIZE D	DRAWING NUMBER 77774080	ED 4	REV 01
	SCN WREN 35774080 X				SHEET 3	F

IDENT. NO.	CD	STATUS	REVISION

SHEET REVISION STATUS				REVISION RECORD			
REV	ECO	ONLY	CWD	DATE			
FOR DOCUMENT STATUS SEE REVISION STATUS SHEET							

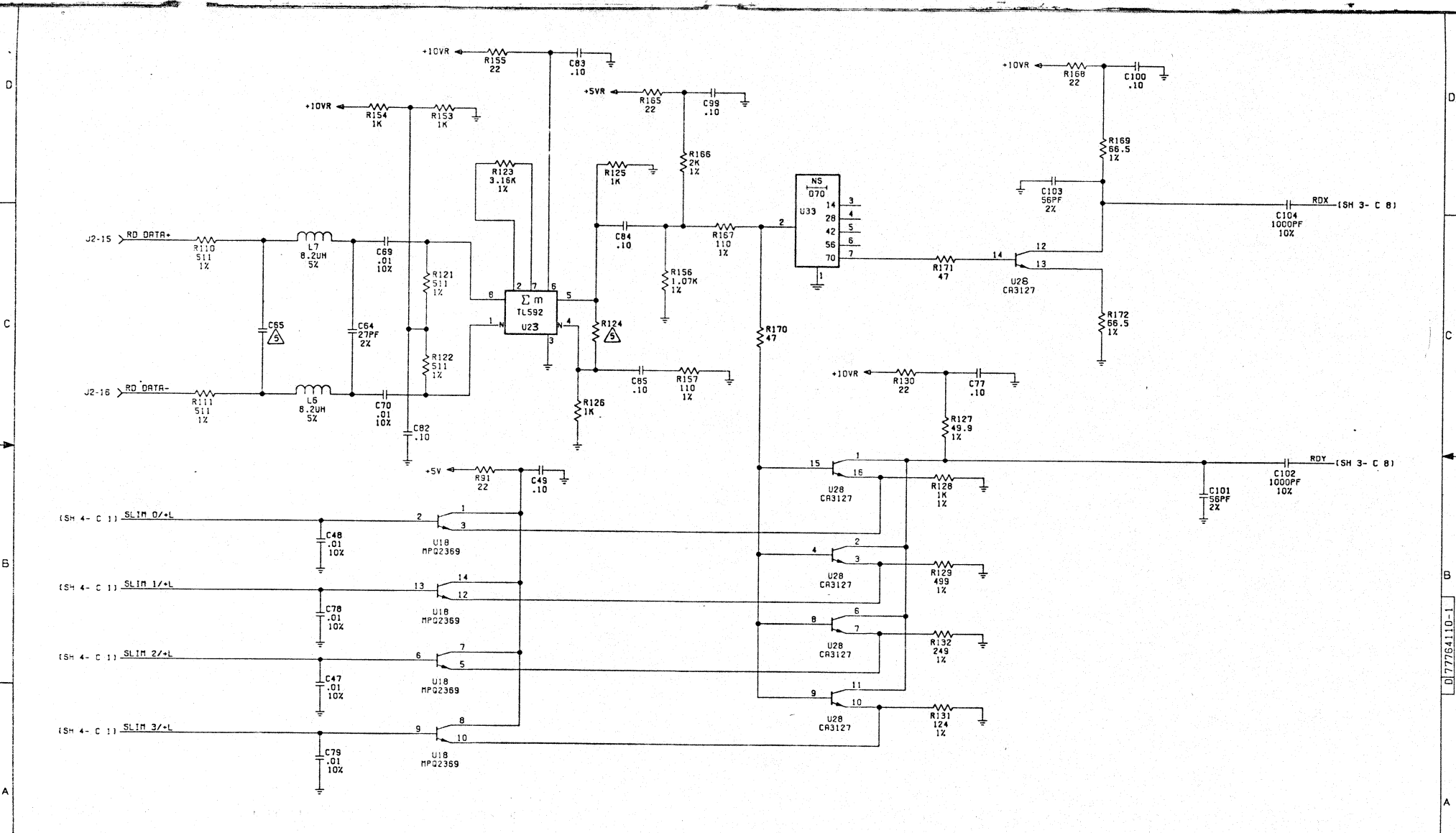


DETAIL A
SCALE: NONE

- NOTES: (UNLESS OTHERWISE SPECIFIED)
1. ASSEMBLE PER 59701127, EXCEPT PARAGRAPH 3.8.3.
 2. MAXIMUM COMPONENT HEIGHT .28
 3. MARK ASSEMBLY NO. 'N' APPROXIMATE LOCATION SHOWN PER I2A1099PI.
 4. FOR SCHEMATIC DIAGRAM, SEE ITEM I.
 5. GENERAL WORKMANSHIP PER 10120300.
 6. PACKAGING AND HANDLING PER CDC 1.60.010.
 7. SOLID BAND ON DIODES AND VOLTAGE REGULATORS INDICATES CATHODE END.
 8. R182 (ITEM 72) TO BE INSTALLED AT PWA TEST
 9. VR1, VR2, VR3, Q1, Q3, Q4, Q6 AND Q7 MAY BE LAID DOWN OVER ADJACENT COMPONENTS. THEIR FLAT SIDE MUST REMAIN UP.
 10. R124, C65, W1 SHOWN FOR GRAPHIC PURPOSES ONLY. DO NOT INSTALL.
 11. PWA CLEANLINESS PER CDC 1.60.011 EXCEPT PARAGRAPH 6.1.2 TO BE 15 MICROGRAMS PER SQUARE INCH MAXIMUM.
 12. THE PWA MUST NOT BE TOUCHED IN COMPONENT OR RUN AREAS. THE PWA SHOULD BE HANDLED BY THE EDGES OR CORNERS.
 13. R183 THRU R189 TO BE INSTALLED STANDING UP.
 14. SECURE Q8 TO PWB WITH ADHESIVE. FLAT SIDE TO BE UP.

REV X04 12-09-85 JEP
 REV X03 11-12-85 JEP
 REV X02 11-12-85 JEP
 REV X01 10-30-85 JEP

MATERIAL	UNLESS OTHERWISE SPECIFIED DIMENSIONS ARE IN INCHES.	MAGNETIC PERIPHERALS INC.	DWN	SUSIE EVANS	10-30-85	TITLE	PWA,	SIZE	DRAWING NUMBER	CD	REV
FINISH	3-PLACE 2-PLACE ANNEAL	OKLAHOMA CITY, OKLAHOMA	CHND	TROY FORD	10-30-85	ENGR	WREN 3 DATA	D	77764100	2	01
	DO NOT SCALE DRAWING	WREN III-94166	WFO					SCALE	2/1	SHEET	1 of 3
			DATA B/S					DISTR	A24-RY5		
			PWB.WREN.77764120								



REV X02 11-12-85 TF

MAGNETIC PERIPHERALS INC. A DIVISION OF CONTROL DATA CORPORATION OKLAHOMA CITY, OKLAHOMA	DATE	10-30-85	TITLE	SCH. WREN 3	SIZE	DRAWING NUMBER	CD	REV
	CONTROL DATA CORPORATION	DATE	10-30-85	SCH. WREN 3	D	77764110	1	01
OKLAHOMA CITY, OKLAHOMA	DATE	10-30-85	DATA					SHEET 2

DISTR R24-SC5 1

D
C
B
A

D
C
B
A

8

7

6

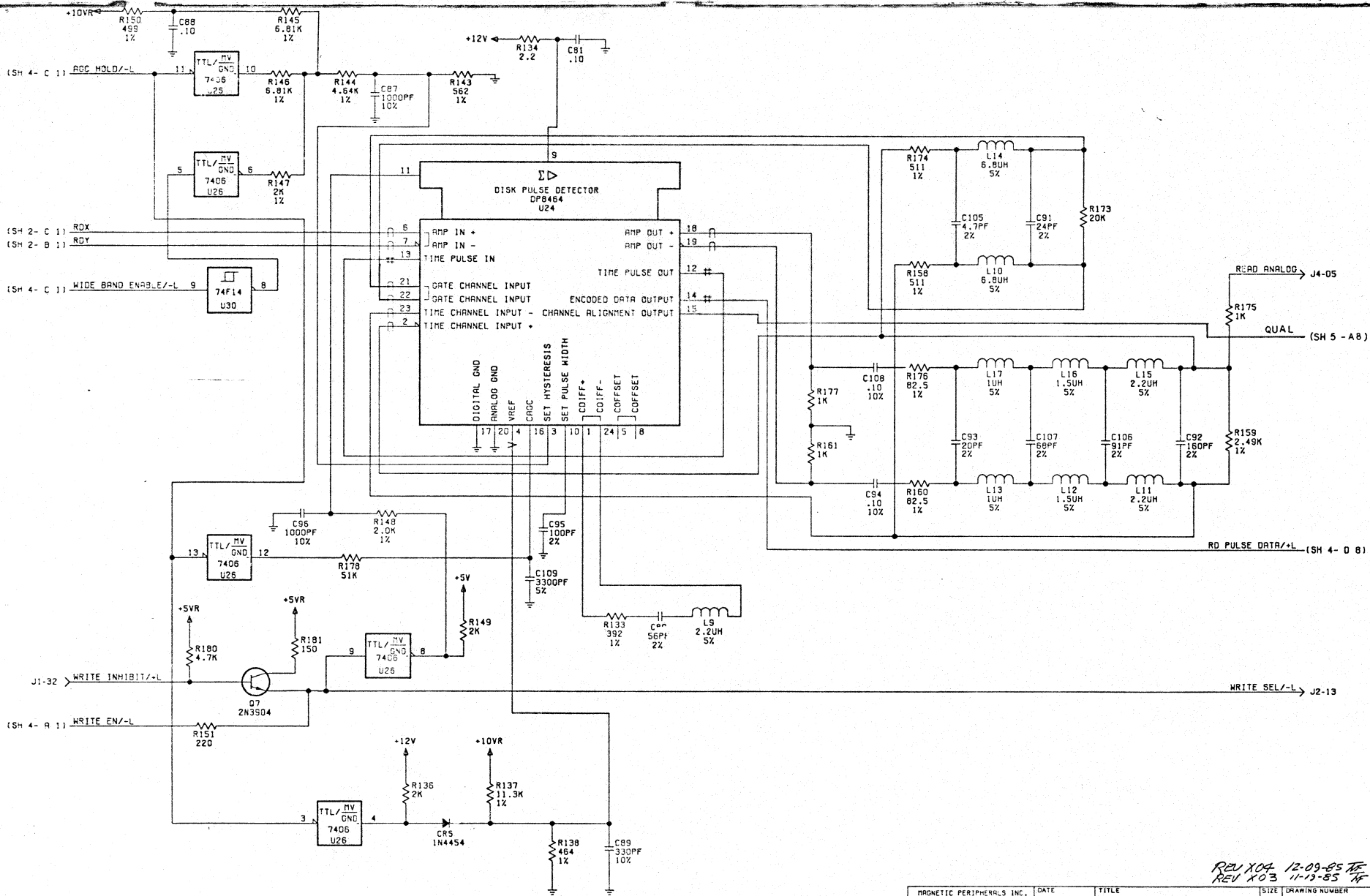
5

4

3

2

D 77764110-1

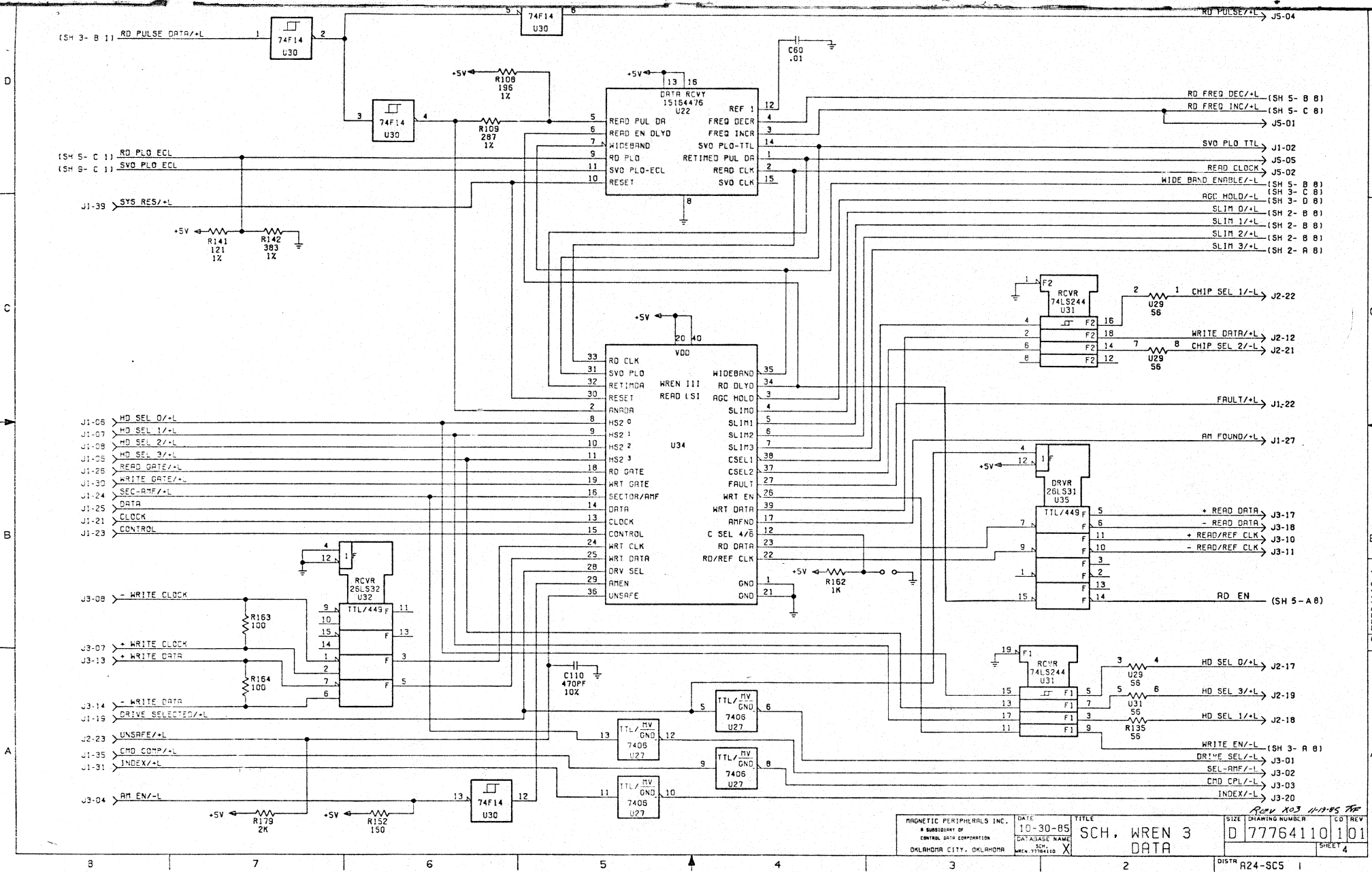


REV X04 12-09-85 TF
REV X03 11-19-85 TF

MAGNETIC PERIPHERALS INC. A SUBSIDIARY OF CONTROL DATA CORPORATION OKLAHOMA CITY, OKLAHOMA	DATE 10-30-85	TITLE SCH. WREN 3	SIZE D	DRAWING NUMBER 77764110	CD REV 101
	DATA BASE NAME SCH. WREN 3	DATA			SHEET 3

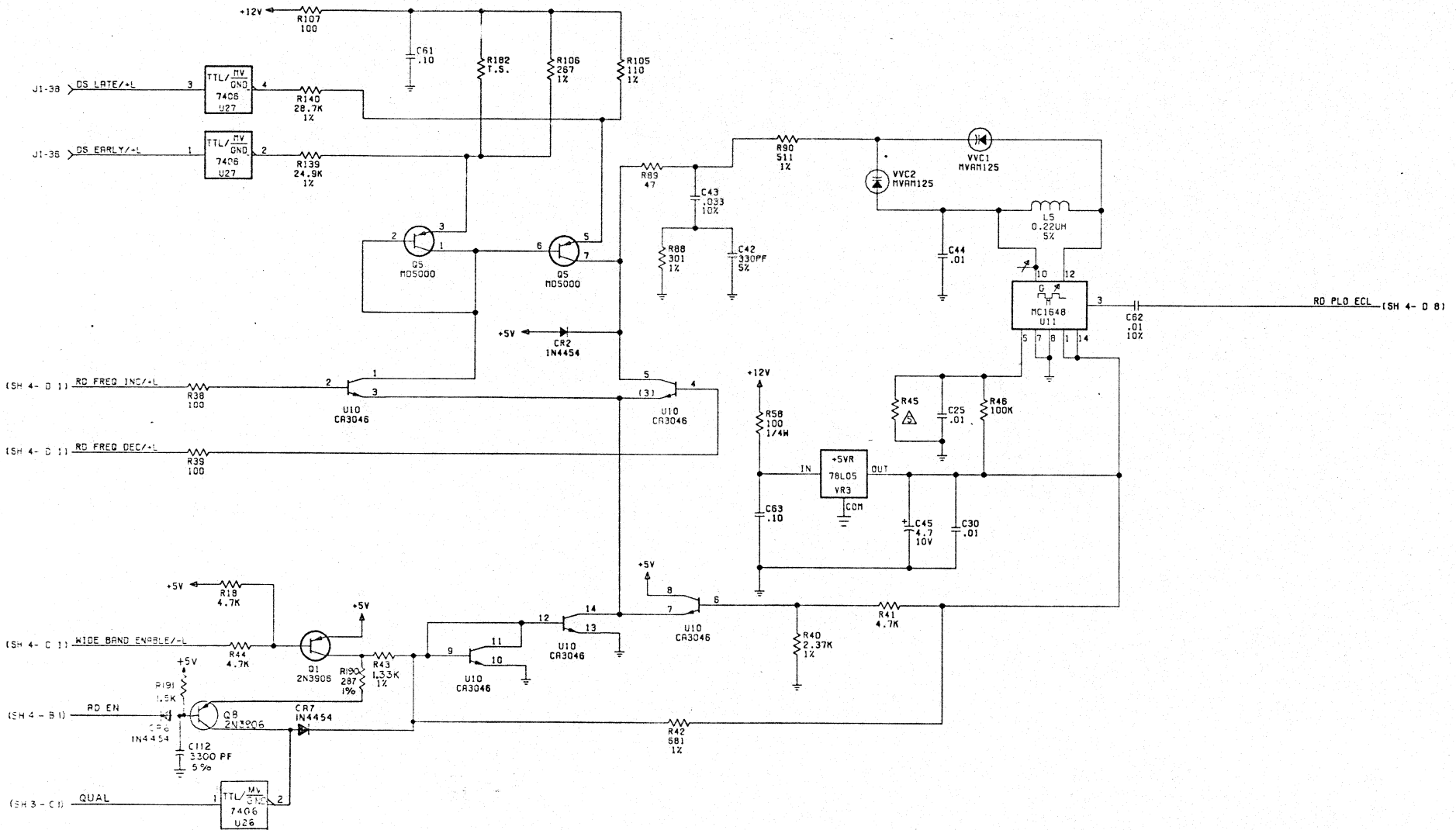
DISTR R24-SC5 1

D 77764110-1



MAGNETIC PERIPHERALS INC. DATE 10-30-85 TITLE SCH, WREN 3
 A SUBSIDIARY OF CONTROL DATA CORPORATION DATABASE NAME DATA
 OKLAHOMA CITY, OKLAHOMA SHEET 4

REV 003 11-19-85
 SIZE DRAWING NUMBER 0 77764110 101
 DISTA A24-SC5 1

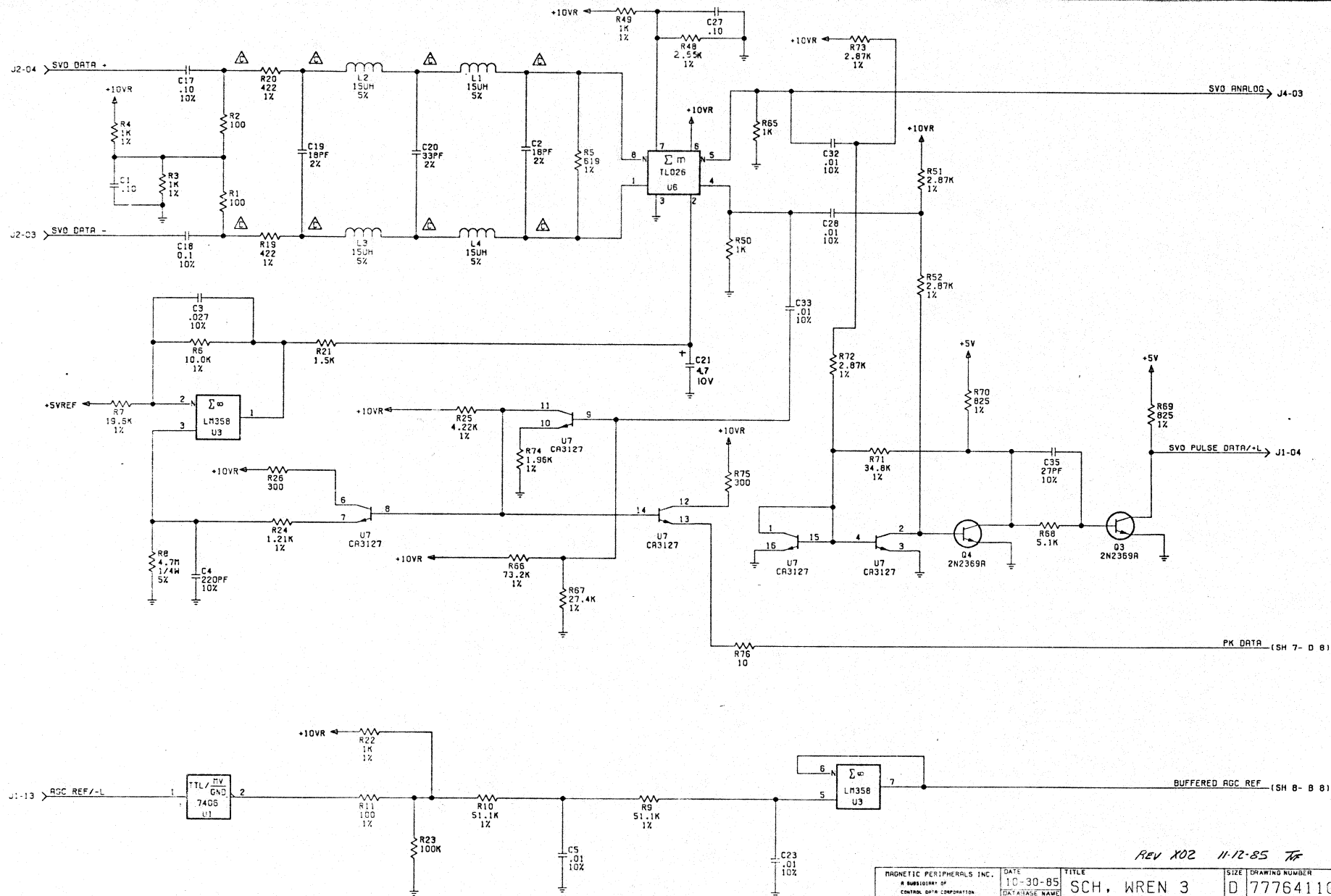


REV X03 11-19-85 *TR*

MAGNETIC PERIPHERALS INC. A SUBSIDIARY OF CONTROL DATA CORPORATION OKLAHOMA CITY, OKLAHOMA	DATE 10-30-85	TITLE SCH. WREN 3 DATA	SIZE D	DRAWING NUMBER 77764110	CD REV 101
				SHEET 5	

DISTR R24-SC5 1

D 77764110-1



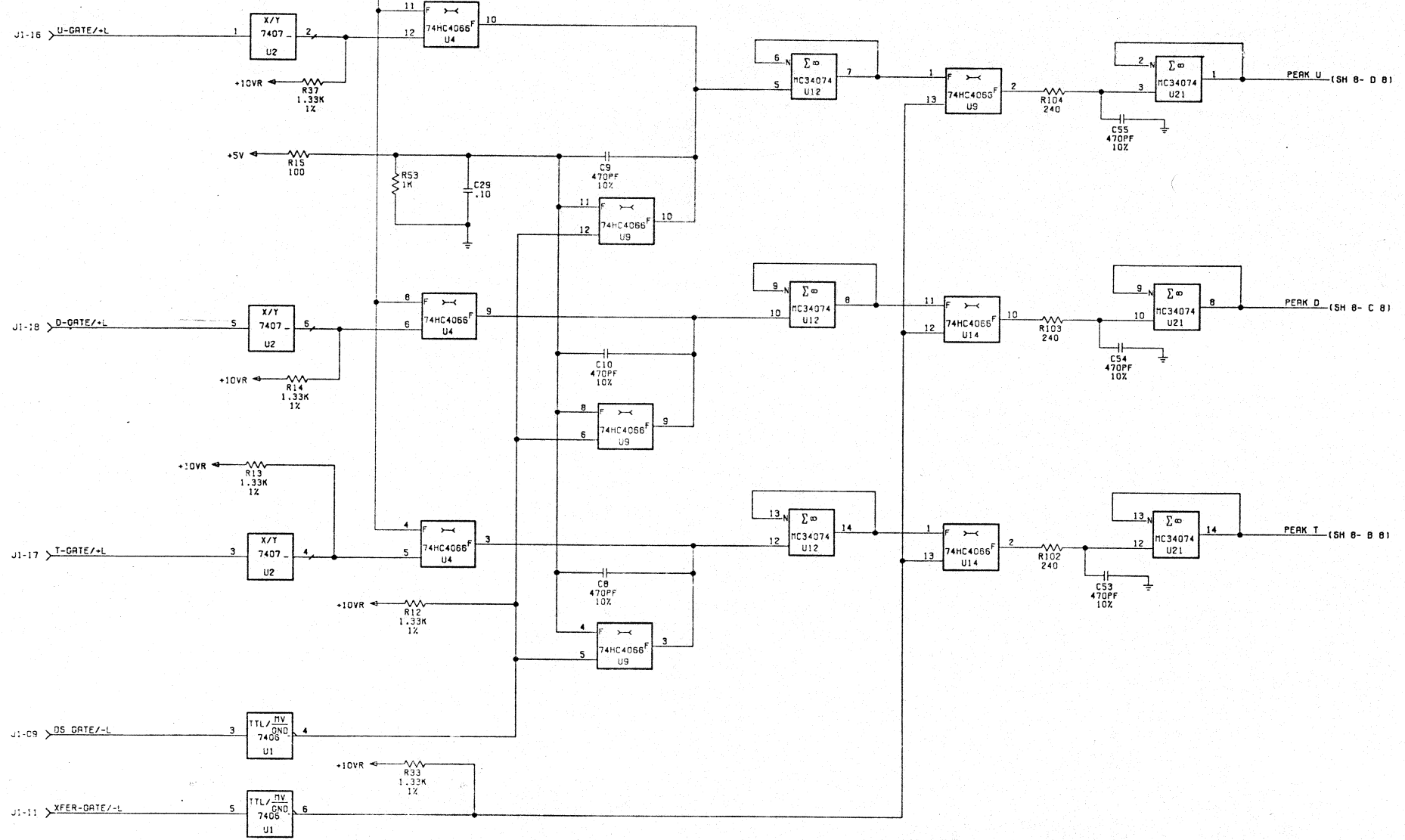
Rev X02 11-12-85 TP

MAGNETIC PERIPHERALS INC.	DATE	TITLE	SIZE	DRAWING NUMBER	CD	REV
A SUBSIDIARY OF CENTRAL DATA CORPORATION OKLAHOMA CITY, OKLAHOMA	10-30-85	SCH. WREN 3 DATA	D	77764110	101	6

DISTR A24-SC5 1

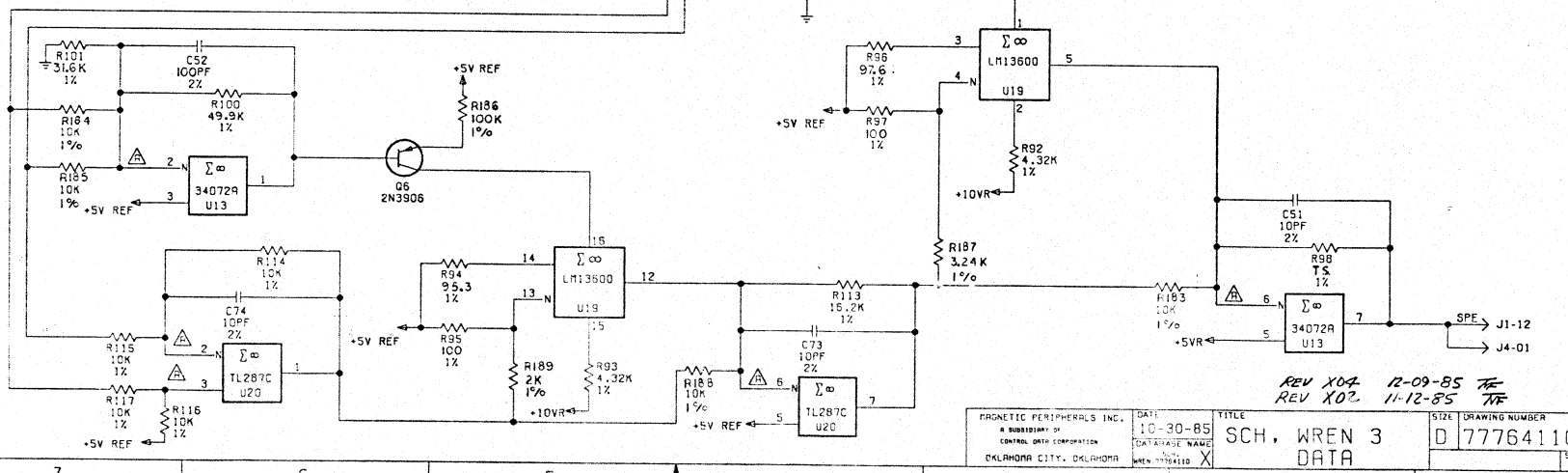
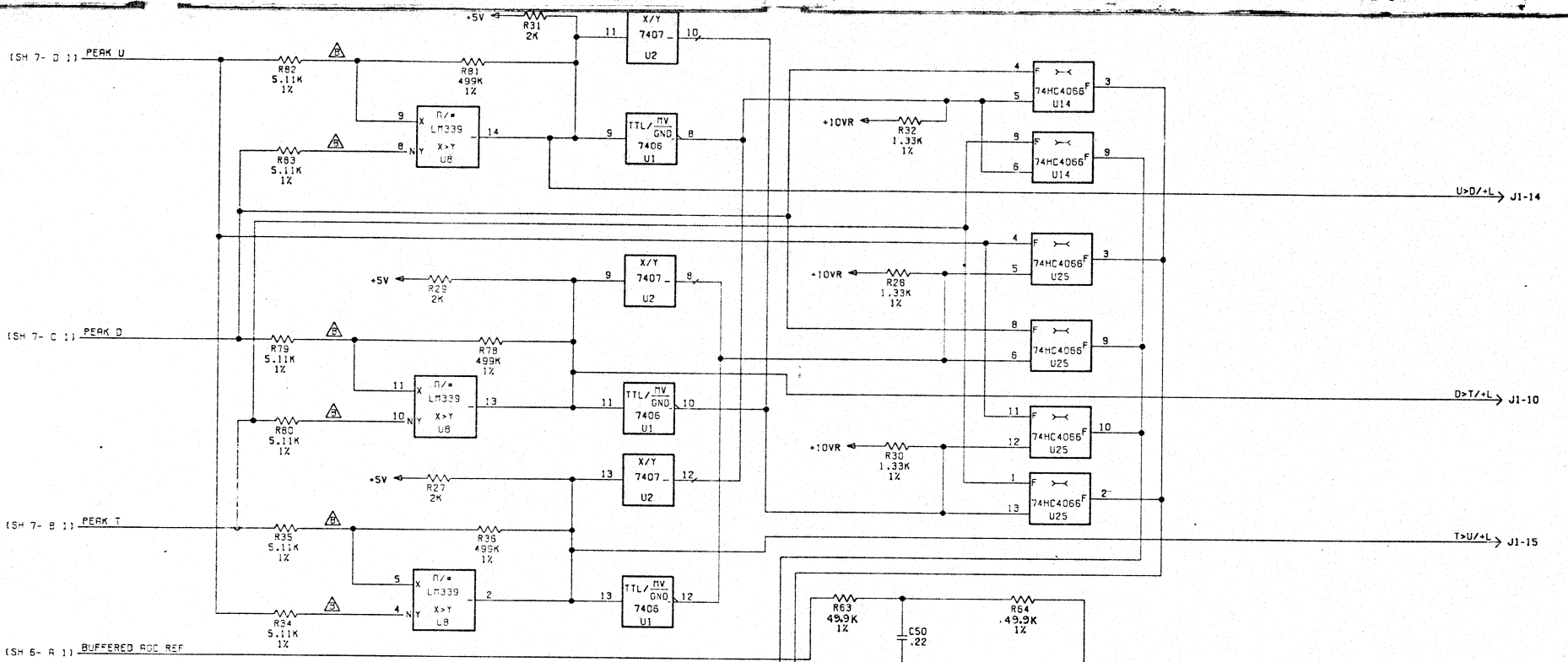
077764110-1

D
C
B
A



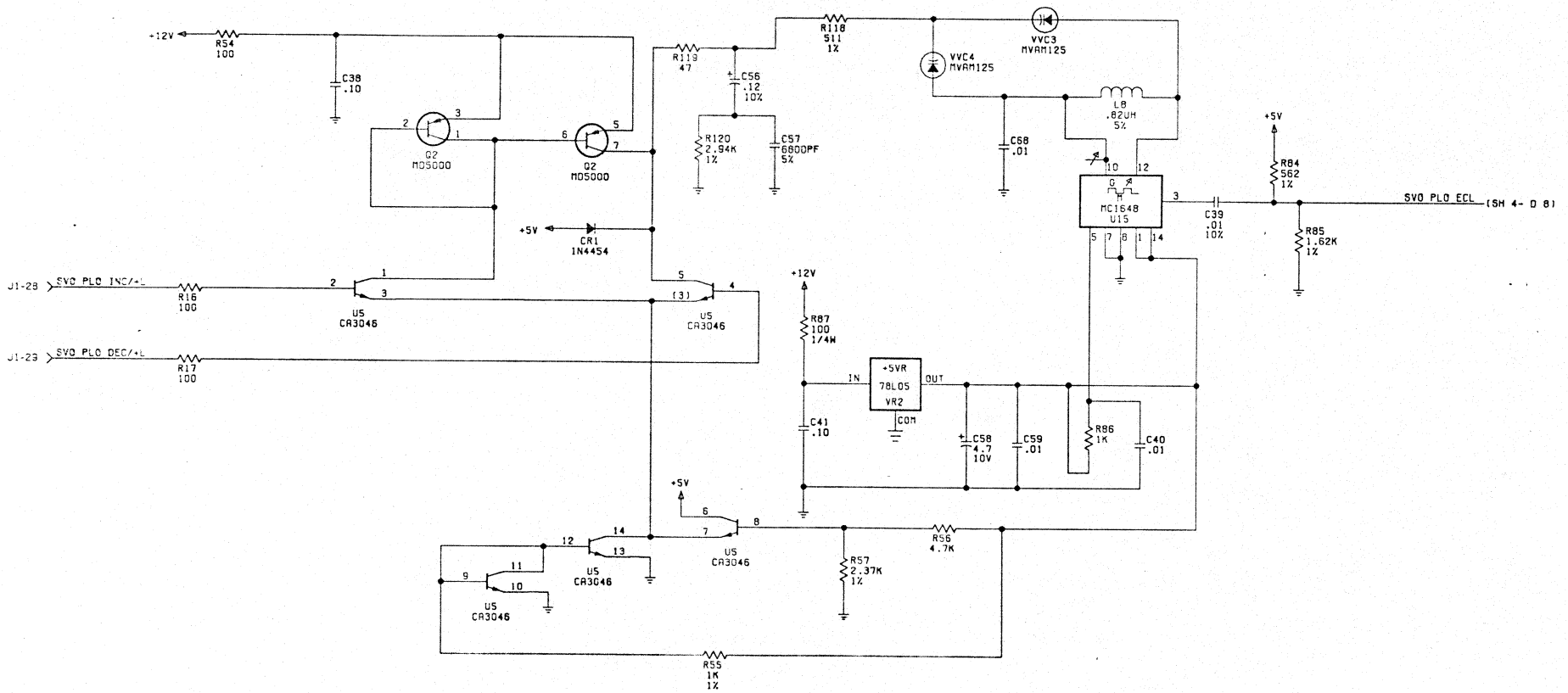
MAGNETIC PERIPHERALS INC. A SUBSIDIARY OF CONTROL DATA CORPORATION OKLAHOMA CITY, OKLAHOMA	DATE 10-30-85 DATABASE NAME SCH. WREN 3 X	TITLE DATA	SIZE D	DRAWING NUMBER 77764110	CD 101	REV 7
---	---	---------------	-----------	----------------------------	-----------	----------

D77764110-1



MAGNETIC PERIPHERALS INC. A SUBSIDIARY OF CONTROL DATA CORPORATION OKLAHOMA CITY, OKLAHOMA	DATE: 10-30-85	TITLE: SCH. WREN 3 DATA	SIZE: D	DRAWING NUMBER: 77764110	CO. REV: 101
	WHEN REVISED: X	DATABASE NAME: X	SHEET: 8	DIST. #: R24-SC5	1

REV X04 12-09-85 TF
 REV X02 11-12-85 TF



MAGNETIC PERIPHERALS INC. A Subsidiary of CONTROL DATA CORPORATION OKLAHOMA CITY, OKLAHOMA	DATE 10-30-85	TITLE SCH. WREN 3 DATA	SIZE D	DRAWING NUMBER 77764110	CO 101	REV 101
	DISTR R24-SC5 1			SHEET 9 F		

D:77764110-1