

**CONTROL DATA®  
DISK STORAGE UNIT**

**BR5A5A/B/C/D/E**

**PARTS DATA**

**CONTROL DATA**  
CORPORATION

**CUSTOMER ENGINEERING MANUAL**



# LIST OF EFFECTIVE PAGES

Sheet 1 of 1

New features, as well as changes, deletions, and additions to information in this manual are indicated by bars in the margins or by a dot near the page number if the entire page is affected. A bar by the page number indicates pagination rather than content has changed.

PAGE	REV	PAGE	REV	PAGE	REV	PAGE	REV
Cover	-	8-37	G				
Blank	-	8-38	E				
Title P	-	8-39	G				
ii	H	8-40	E				
iii	H	8-41	G				
Blank	-	8-42	G				
V	H	8-43	G				
Blank	-	Blank	-				
vii	H	8-45	G				
Blank	-	8-46	E				
S1-4 Div	-	8-47	G				
Blank	-	8-48	G				
S5-7 Div	-	8-49	G				
Blank	-	8-50	G				
5-8 Div	-	8-51	G				
8-2	E	Blank	-				
8-3	E	S9-10 Div	-				
Blank	-	Blank	-				
8-5	E	Cmt Sht	-				
8-6	E	Rtn Env	-				
8-7	H	Blank	-				
8-8	E	Cover	-				
8-9	H						
8-10	G						
8-11	G						
8-12	E						
8-13	G						
8-14	E						
8-15	G						
8-16	E						
8-17	G						
8-18	E						
8-19	G						
8-20	E						
8-21	G						
8-22	E						
8-23	G						
8-24	E						
8-25	G						
8-26	E						
8-27	G						
8-28	E						
8-29	G						
8-30	E						
8-31	G						
8-32	E						
8-33	G						
Blank	-						
8-35	G						
8-36	E						

0

0

0

## PREFACE

---

Customer engineering material for the CONTROL DATA® BR5A5 Disk Storage Unit is contained in three separate manuals and provides all the information needed to install, operate and maintain the unit.

Publication No.  
83302300

General Description,  
Operation, Installation  
and Checkout, Theory of  
Operation, Maintenance

Publication No.  
83302400

Diagrams, Maintenance  
Aids, Wire Lists

Publication No.  
83302500

Parts Data

0

0

0

## CONTENTS

---

INTRODUCTION	8-2	Sector Sensor Positioner Assembly	8-24
		Disk Cleaner Assembly	8-26
LOCATOR	8-5	Ratchet Brake Assembly	8-28
		Motor and Brake Assembly	8-30
Final Assembly	8-6	Actuator Assembly	8-32
Control Panel Assembly	8-6	Magnet Assembly	8-36
Frame Assembly	8-10	Carriage Assembly	8-38
Blower Motor Assembly	8-10	Logic Chassis Assembly	8-40
Connector Chassis Assembly	8-12	Power Supply Assembly	8-42
Top Cover Assembly	8-14	Power Amplifier Circuit Assembly	8-46
Deck Assembly	8-18	Transformer Assembly	8-48
Spindle and Lockshaft Assembly	8-22	Cable Assemblies	8-50

0

0

0



Information for these sections is included in BR5A5  
Disk Storage unit, Publication No. 83302300.

SECTION 1

GENERAL DESCRIPTION

SECTION 2

OPERATION

SECTION 3

INSTALLATION AND CHECKOUT

SECTION 4

THEORY OF OPERATION



SECTION 5

DIAGRAMS

Information for this section is included in BR5A5  
Disk Storage Unit, Publication No. 83302400.

SECTION 6

MAINTENANCE

Information for this section is included in BR5A5  
Disk Storage Unit, Publication No. 83302300.

SECTION 7

MAINTENANCE AIDS

Information for this section is included in BR5A5  
Disk Storage Unit, Publication No. 83302400.

0

0

0

**SECTION 8**

**PARTS DATA**

# INTRODUCTION

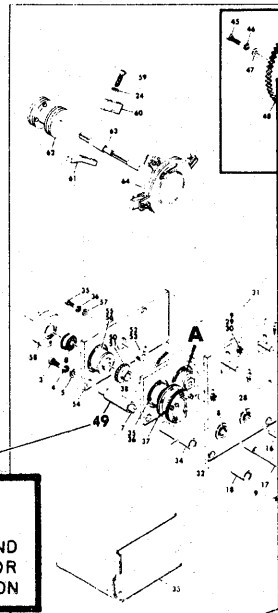
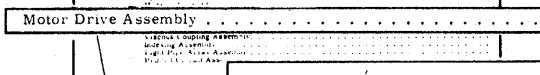
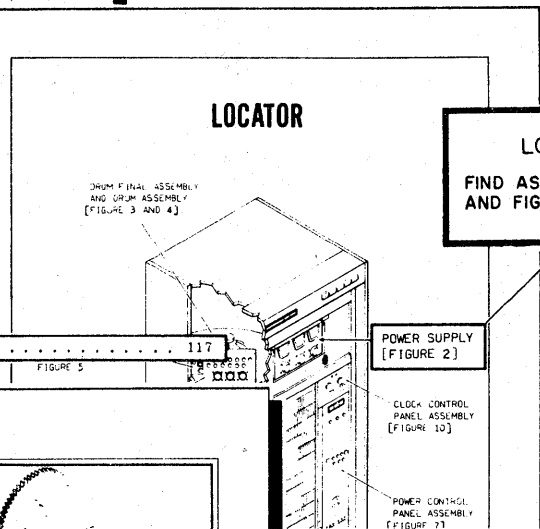
**CONTENTS**

**SECTION I LOCATION**

Covers, Doors and Hinge Installation Assembly  
 Transport Installation Assembly  
 Top Cover Assembly  
 Upper Cover Assembly  
 Front Cover Assembly  
 Door Assembly - Front Center  
 Door Assembly - Left Front  
 Door Assembly - Right Front  
 Hinge Cover Assembly  
 Side Cover Assembly - Left Hand  
 Side Cover Assembly - Right Hand  
 Heat Panel Assembly  
 Door Assembly - Left Hand

**SECTION II LOCATION**

Exhaust Assembly  
 Support Assembly  
 Drain Assembly  
 Heat Sink Assembly  
 Heat Sink Assembly - 100  
 Heat Sink Assembly - 101  
 Heat Sink Assembly - 102  
 Heat Sink Assembly - 103  
 Heat Sink Assembly - 104  
 Heat Sink Assembly - 105  
 Heat Sink Assembly - 106  
 Heat Sink Assembly - 107  
 Heat Sink Assembly - 108  
 Heat Sink Assembly - 109  
 Heat Sink Assembly - 110  
 Heat Sink Assembly - 111  
 Heat Sink Assembly - 112  
 Heat Sink Assembly - 113  
 Heat Sink Assembly - 114  
 Heat Sink Assembly - 115  
 Heat Sink Assembly - 116  
 Heat Sink Assembly - 117  
 Heat Sink Assembly - 118  
 Heat Sink Assembly - 119  
 Heat Sink Assembly - 120  
 Heat Sink Assembly - 121  
 Heat Sink Assembly - 122  
 Heat Sink Assembly - 123  
 Heat Sink Assembly - 124  
 Heat Sink Assembly - 125  
 Heat Sink Assembly - 126  
 Heat Sink Assembly - 127  
 Heat Sink Assembly - 128  
 Heat Sink Assembly - 129  
 Heat Sink Assembly - 130  
 Heat Sink Assembly - 131  
 Heat Sink Assembly - 132  
 Heat Sink Assembly - 133  
 Heat Sink Assembly - 134  
 Heat Sink Assembly - 135  
 Heat Sink Assembly - 136  
 Heat Sink Assembly - 137  
 Heat Sink Assembly - 138  
 Heat Sink Assembly - 139  
 Heat Sink Assembly - 140  
 Heat Sink Assembly - 141  
 Heat Sink Assembly - 142  
 Heat Sink Assembly - 143  
 Heat Sink Assembly - 144  
 Heat Sink Assembly - 145  
 Heat Sink Assembly - 146  
 Heat Sink Assembly - 147  
 Heat Sink Assembly - 148  
 Heat Sink Assembly - 149  
 Heat Sink Assembly - 150  
 Heat Sink Assembly - 151  
 Heat Sink Assembly - 152  
 Heat Sink Assembly - 153  
 Heat Sink Assembly - 154  
 Heat Sink Assembly - 155  
 Heat Sink Assembly - 156  
 Heat Sink Assembly - 157  
 Heat Sink Assembly - 158  
 Heat Sink Assembly - 159  
 Heat Sink Assembly - 160  
 Heat Sink Assembly - 161  
 Heat Sink Assembly - 162  
 Heat Sink Assembly - 163  
 Heat Sink Assembly - 164  
 Heat Sink Assembly - 165  
 Heat Sink Assembly - 166  
 Heat Sink Assembly - 167  
 Heat Sink Assembly - 168  
 Heat Sink Assembly - 169  
 Heat Sink Assembly - 170  
 Heat Sink Assembly - 171  
 Heat Sink Assembly - 172  
 Heat Sink Assembly - 173  
 Heat Sink Assembly - 174  
 Heat Sink Assembly - 175  
 Heat Sink Assembly - 176  
 Heat Sink Assembly - 177  
 Heat Sink Assembly - 178  
 Heat Sink Assembly - 179  
 Heat Sink Assembly - 180  
 Heat Sink Assembly - 181  
 Heat Sink Assembly - 182  
 Heat Sink Assembly - 183  
 Heat Sink Assembly - 184  
 Heat Sink Assembly - 185  
 Heat Sink Assembly - 186  
 Heat Sink Assembly - 187  
 Heat Sink Assembly - 188  
 Heat Sink Assembly - 189  
 Heat Sink Assembly - 190  
 Heat Sink Assembly - 191  
 Heat Sink Assembly - 192  
 Heat Sink Assembly - 193  
 Heat Sink Assembly - 194  
 Heat Sink Assembly - 195  
 Heat Sink Assembly - 196  
 Heat Sink Assembly - 197  
 Heat Sink Assembly - 198  
 Heat Sink Assembly - 199  
 Heat Sink Assembly - 200



ASSY. LEVEL	ITEM NO.	EQUIPMENT NO.	ITEM DESCRIPTION	MOD. LEVEL		NO. REQUIRED
				C	D	
43	-1	00	VISCOUS COUPLING ASSEMBLY (SEE FIGURE 44 FOR DETAIL BREAKDOWN)			
		01	SCREW, MACHINE, PAN HEAD, 4-40 x 5/16			
		02	WASHER, LOCK, SPRING, 4			
		03	WASHER, FLAT, 4			
		04	SPACER			
		05	SCREW, MACHINE, PAN HEAD, 4-40 x 5/16			
		06	WASHER, LOCK, SPRING, 4			
		07	WASHER, FLAT, 4			
		08	SCREW, MACHINE, PAN HEAD, 4-40 x 5/16			
		09	WASHER, LOCK, SPRING, 4			
		10	WASHER, FLAT, 4			
		11	SCREW, MACHINE, PAN HEAD, 4-40 x 5/16			
		12	WASHER, LOCK, SPRING, 4			
		13	WASHER, FLAT, 4			
		14	SCREW, MACHINE, PAN HEAD, 4-40 x 5/16			
		15	WASHER, LOCK, SPRING, 4			
		16	WASHER, FLAT, 4			
		17	SCREW, MACHINE, PAN HEAD, 4-40 x 5/16			
		18	WASHER, LOCK, SPRING, 4			
		19	WASHER, FLAT, 4			
		20	SCREW, MACHINE, PAN HEAD, 4-40 x 5/16			
		21	WASHER, LOCK, SPRING, 4			
		22	WASHER, FLAT, 4			
		23	SCREW, MACHINE, PAN HEAD, 4-40 x 5/16			
		24	WASHER, LOCK, SPRING, 4			
		25	WASHER, FLAT, 4			
		26	SCREW, MACHINE, PAN HEAD, 4-40 x 5/16			
		27	WASHER, LOCK, SPRING, 4			
		28	WASHER, FLAT, 4			
		29	SCREW, MACHINE, PAN HEAD, 4-40 x 5/16			
		30	WASHER, LOCK, SPRING, 4			
		31	WASHER, FLAT, 4			
		32	SCREW, MACHINE, PAN HEAD, 4-40 x 5/16			
		33	WASHER, LOCK, SPRING, 4			
		34	WASHER, FLAT, 4			
		35	SCREW, MACHINE, PAN HEAD, 4-40 x 5/16			
		36	WASHER, LOCK, SPRING, 4			
		37	WASHER, FLAT, 4			
		38	SCREW, MACHINE, PAN HEAD, 4-40 x 5/16			
		39	WASHER, LOCK, SPRING, 4			
		40	WASHER, FLAT, 4			
		41	SCREW, MACHINE, PAN HEAD, 4-40 x 5/16			
		42	WASHER, LOCK, SPRING, 4			
		43	WASHER, FLAT, 4			
		44	SCREW, MACHINE, PAN HEAD, 4-40 x 5/16			
		45	WASHER, LOCK, SPRING, 4			
		46	WASHER, FLAT, 4			
		47	SCREW, MACHINE, PAN HEAD, 4-40 x 5/16			
		48	WASHER, LOCK, SPRING, 4			
		49	WASHER, FLAT, 4			
		50	SCREW, MACHINE, PAN HEAD, 4-40 x 5/16			
		51	WASHER, LOCK, SPRING, 4			
		52	WASHER, FLAT, 4			
		53	SCREW, MACHINE, PAN HEAD, 4-40 x 5/16			
		54	WASHER, LOCK, SPRING, 4			
		55	WASHER, FLAT, 4			
		56	SCREW, MACHINE, PAN HEAD, 4-40 x 5/16			
		57	WASHER, LOCK, SPRING, 4			
		58	WASHER, FLAT, 4			
		59	SCREW, MACHINE, PAN HEAD, 4-40 x 5/16			
		60	WASHER, LOCK, SPRING, 4			
		61	WASHER, FLAT, 4			
		62	SCREW, MACHINE, PAN HEAD, 4-40 x 5/16			
		63	WASHER, LOCK, SPRING, 4			
		64	WASHER, FLAT, 4			
		65	SCREW, MACHINE, PAN HEAD, 4-40 x 5/16			
		66	WASHER, LOCK, SPRING, 4			
		67	WASHER, FLAT, 4			
		68	SCREW, MACHINE, PAN HEAD, 4-40 x 5/16			
		69	WASHER, LOCK, SPRING, 4			
		70	WASHER, FLAT, 4			

**1**  
CONTENTS  
SELECT ASSEMBLY TITLE,  
LOCATE PAGE NUMBER  
TO FIND PARTS LIST

**3**  
ILLUSTRATION  
LOCATE THE PART AND  
INDEX NUMBER FOR  
ITEM IDENTIFICATION

**4**  
PARTS LIST  
LOCATE INDEX NUMBER,  
FOR PART NUMBER,  
ITEM DESCRIPTION, ETC

MOD. LEVEL  
C D  
NO. REQUIRED

1 1  
4 4

F  
G

F | -49 | 48059401 | SPACER | 3 | 3 |

E -67 92780084 SCREW, MACHINE, PAN HEAD, 4-40 x 5/16  
 E -68 93225003 WASHER, LOCK, SPRING, 4  
 E -69 94047000 WASHER, FLAT, 4

A  
B  
C  
D  
E  
F

# INTRODUCTION

**A**

THE MODEL LEVEL COLUMN REFERENCES THE QUANTITY OF EACH ITEM USED IN AN ASSEMBLY TO A PARTICULAR UNIT.

**B**

THE INDEX NUMBER COLUMN PROVIDES A CROSS REFERENCE BETWEEN THE PARTS LIST AND THE ASSOCIATED FIGURE. THE NUMBER BEFORE THE HYPHEN IS THE FIGURE NUMBER TO WHICH IT APPLIES. THE NUMBER AFTER THE HYPHEN IS THE CALLOUT NUMBER ON THE FIGURE.

**C**

THE  $\Delta$ NUMBER REQUIRED $\Delta$  COLUMNS PROVIDE THE QUANTITY OF EACH ITEM USED IN THAT ASSEMBLY. AR=AS REQUIRED.

**D**

IF AN ASSEMBLY IS NOT BROKEN DOWN IMMEDIATELY AFTER BEING LISTED, A FIGURE NUMBER WILL REFERENCE THE LOCATION WHERE THE BREAKDOWN IS MADE.

**E**

THE RELATIONSHIP OF AN ITEM TO ITS NEXT HIGHER ASSEMBLY IS INDICATED IN THE  $\Delta$ ASSEMBLY LEVEL $\Delta$  COLUMN. THE  $\Delta$ BA $\Delta$  LEVEL IS PART OF THE FIRST PRECEDING  $\Delta$ AA $\Delta$  LEVEL. THE  $\Delta$ CA $\Delta$  LEVEL IS PART OF THE FIRST PRECEDING  $\Delta$ BA $\Delta$  LEVEL, ETC..

**F**

IN SOME CASES RELATED ITEMS APPEAR ON CERTAIN FIGURES FOR IDENTIFICATION PURPOSES ALTHOUGH THEY ARE NOT PART OF THE ASSEMBLY. THESE ITEMS MUST BE ORDERED AS INDIVIDUAL PIECES OR WITH THEIR RESPECTIVE ASSEMBLY.

0

0

0



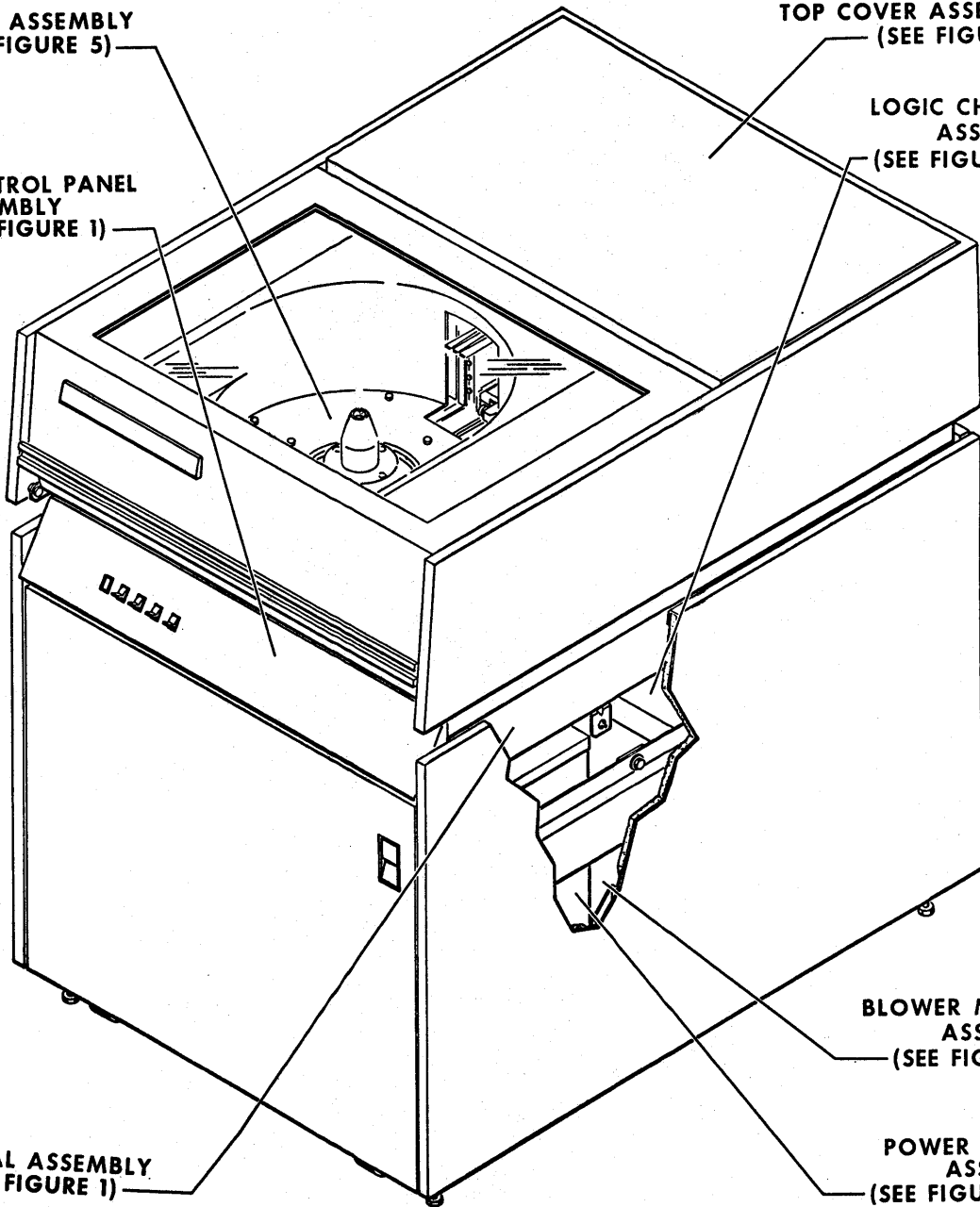
# DISK STORAGE UNIT LOCATOR

DECK ASSEMBLY  
(SEE FIGURE 5)

TOP COVER ASSEMBLY  
(SEE FIGURE 4)

CONTROL PANEL  
ASSEMBLY  
(SEE FIGURE 1)

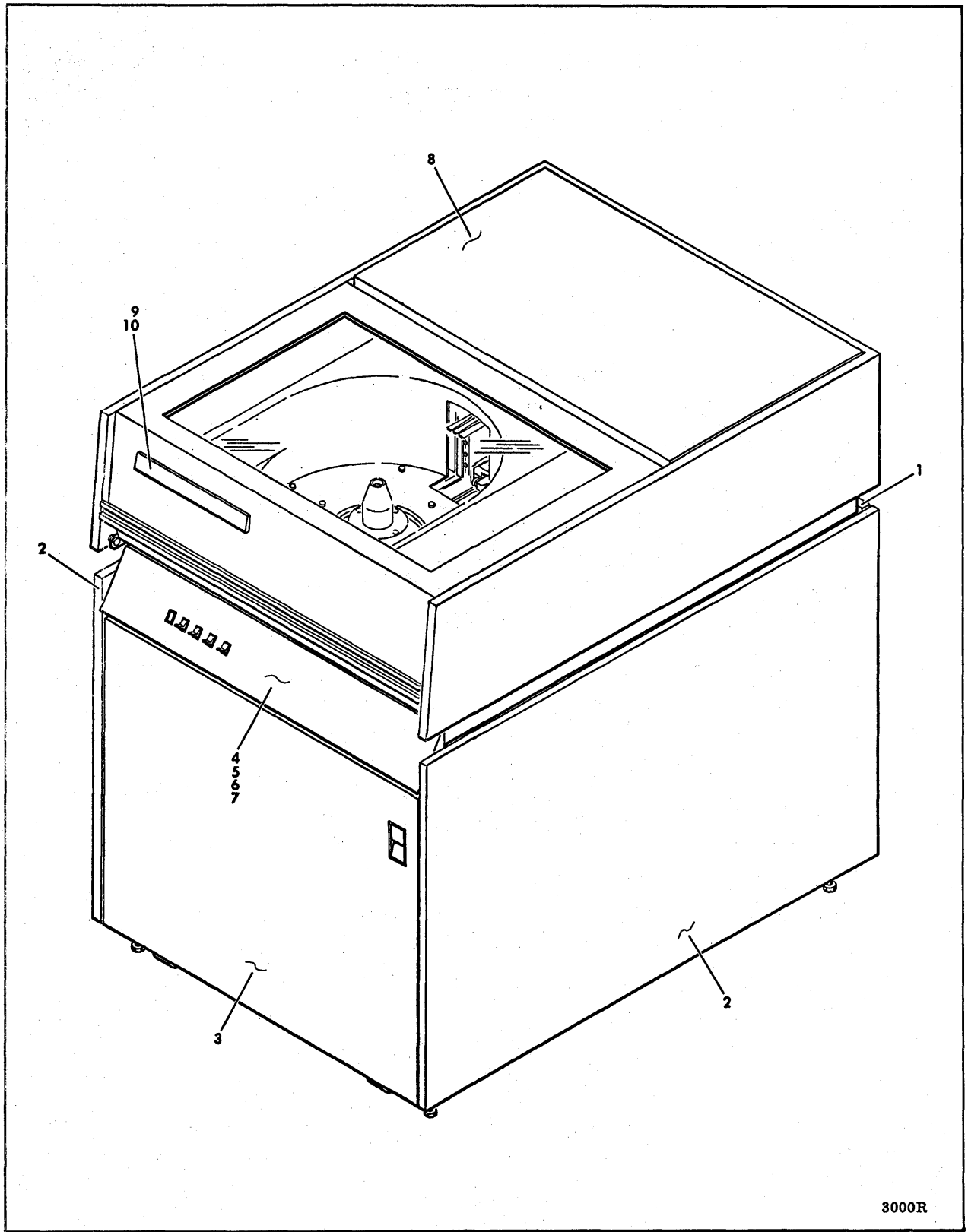
LOGIC CHASSIS  
ASSEMBLY  
(SEE FIGURE 14)



BLOWER MOTOR  
ASSEMBLY  
(SEE FIGURE 2)

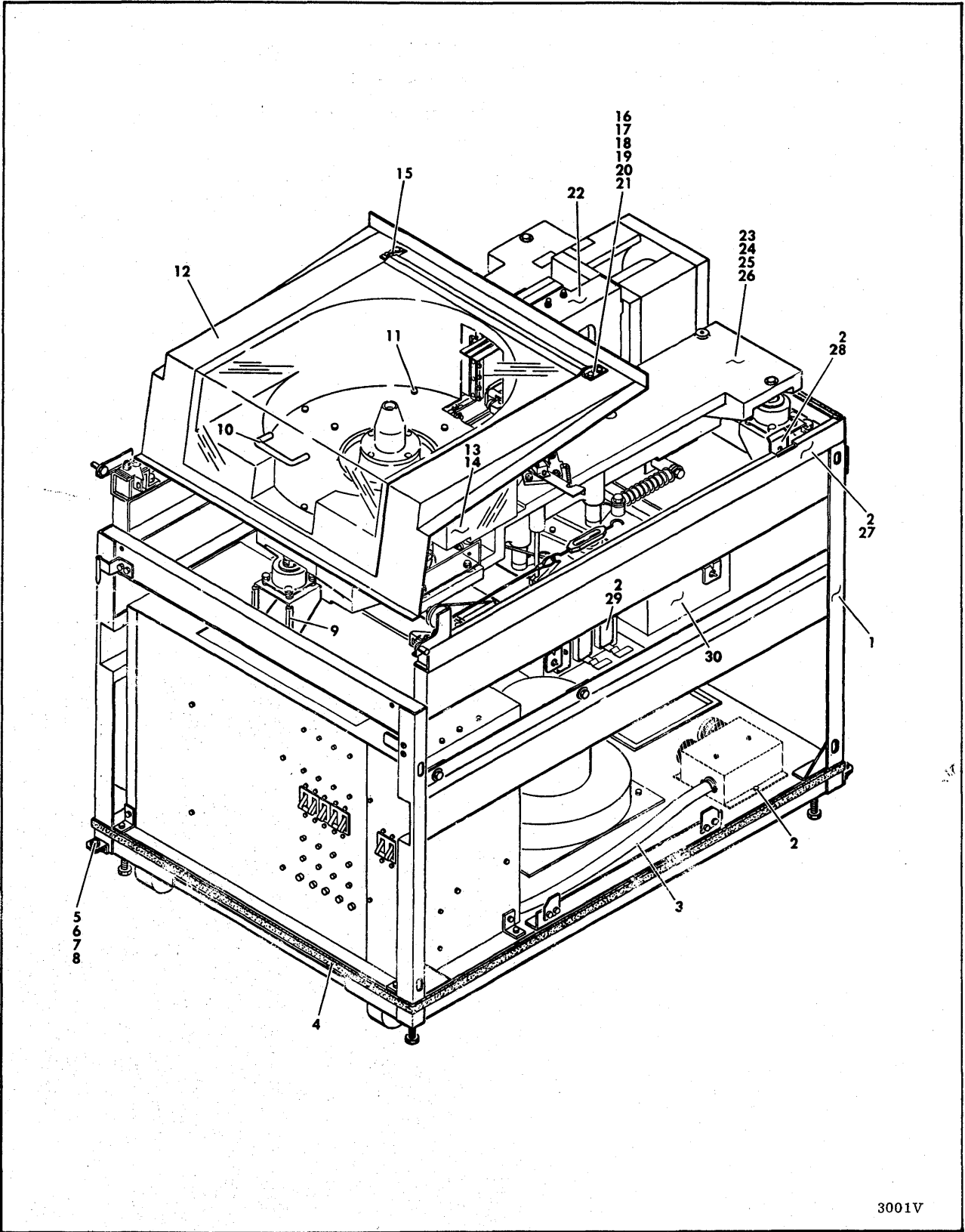
FINAL ASSEMBLY  
(SEE FIGURE 1)

POWER SUPPLY  
ASSEMBLY  
(SEE FIGURE 15)



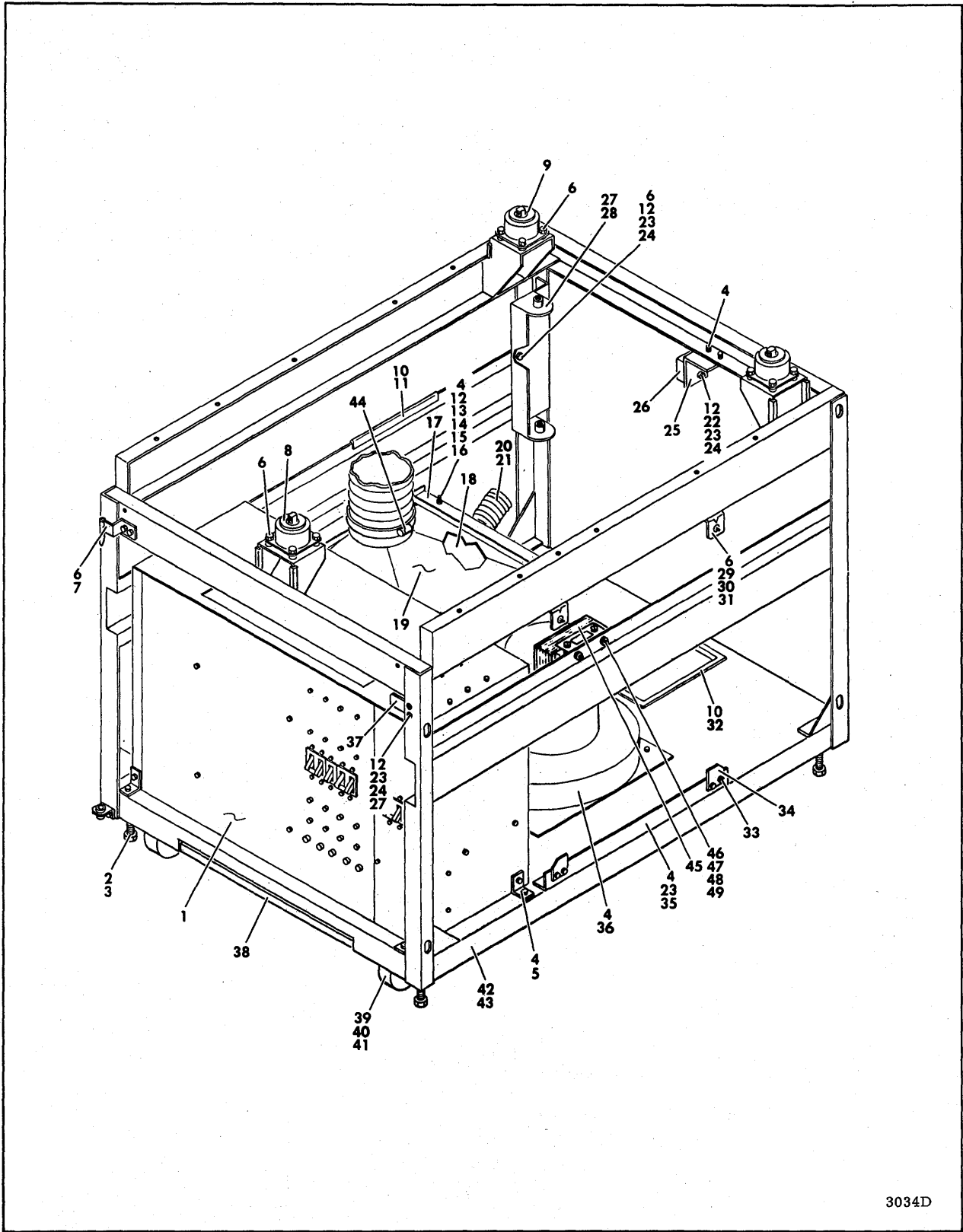
3000R

ASSY LEVEL	INDEX NO.	EQUIPMENT PART NUMBER	ITEM DESCRIPTION	MOD. LEVEL				
				A	B	C	D	E
				NO. REQUIRED				
A	1-	75193800	FINAL ASSEMBLY (SHEET 1 OF 2)	1	-	-	-	-
A	1-	75193801	FINAL ASSEMBLY	-	1	-	-	-
A	1-	75193802	FINAL ASSEMBLY	-	-	1	-	-
A	1-	75193809	FINAL ASSEMBLY	-	-	-	1	-
A	1-	75193810	FINAL ASSEMBLY	-	-	-	-	1
B	-1	70731002	REAR DOOR ASSEMBLY	1	1	1	1	1
C	-	70738649	DOOR, REAR	1	1	1	1	1
C	-	94221400	LATCH, FLUSH	1	1	1	1	1
C	-	94224907	SPACER, SLAM LATCH	1	1	1	1	1
C	-	92633015	BUMPER, GROMMET TYPE	2	2	2	2	2
C	-	92373003	NYLINER, SNAP IN	3	3	3	3	3
C	-	40080226	PANEL, ACOUSTICAL	1	1	1	1	1
C	-	70948500	PIN, HINGE	1	1	1	1	1
C	-	40080213	PANEL, ACOUSTICAL	1	1	1	1	1
C	-	40080214	PANEL, ACOUSTICAL	1	1	1	1	1
B	-2	70731202	SIDE PANEL ASSEMBLY	2	2	2	2	2
C	-	70727548	PANEL, SIDE	1	1	1	1	1
C	-	40029900	BRACKET, SUPPORT	1	1	1	1	1
C	-	40029901	BRACKET, SUPPORT	1	1	1	1	1
C	-	40029800	BRACKET, RECEPTACLE	1	1	1	1	1
C	-	93592238	SCREW, MACHINE, HEXAGON WASHER HEAD, SELF TAPPING, 10-24 x 3/8	2	2	2	2	2
C	-	40080218	PANEL, ACOUSTICAL	8	8	8	8	8
C	-	40080219	PANEL, ACOUSTICAL	2	2	2	2	2
C	-	94303500	RECEPTACLE, CLIP IN	1	1	1	1	1
C	-	92633003	BUMPER, GROMMET TYPE	2	2	2	2	2
B	-3	70731102	FRONT DOOR ASSEMBLY	4	4	4	4	4
C	-	70738749	DOOR, FRONT	1	1	1	1	1
C	-	94221400	LATCH, FLUSH	1	1	1	1	1
C	-	94224906	SPACER, LATCH	1	1	1	1	1
C	-	92633015	BUMPER, GROMMET TYPE	2	2	2	2	2
C	-	92373003	NYLINER, SNAP IN	3	3	3	3	3
C	-	40080222	PANEL ACOUSTICAL	2	2	2	2	2
C	-	70948500	PIN, HINGE	1	1	1	1	1
C	-	40080216	PANEL, ACOUSTICAL	1	1	1	1	1
C	-	40080217	PANEL, ACOUSTICAL	1	1	1	1	1
B	-4	10127123	SCREW, MACHINE, PAN HEAD, PHILLIPS, 8-32 x 1/2	4	4	4	4	4
B	-5	10126104	WASHER, LOCK, INTERNAL TOOTH, 8	4	4	4	4	4
B	-6	10125606	WASHER, FLAT, 8	4	4	4	4	4
B	-7	75187800	CONTROL PANEL ASSEMBLY	1	1	1	1	1
C	-	75176900	COMPONENT ASSEMBLY, CONTROL PANEL	1	1	1	1	1
C	-	75176693	PANEL, CONTROL	1	1	1	1	1
C	-	94263925	BEZEL	1	1	1	1	1
C	-	10127347	SCREW, MACHINE, PAN HEAD, SLOTTED, 8-32 x 3/8	2	2	2	2	2
C	-	10125804	WASHER, LOCK, SPRING, 8	2	2	2	2	2
C	-	10125606	WASHER, FLAT, 8	2	2	2	2	2
B	-8		TOP COVER ASSEMBLY (SEE FIGURE 4)	1	1	1	1	1
B	-9	15000600	EMBLEM, PRODUCT IDENTIFICATION	1	1	1	1	1
B	-10	94314031	EMBLEM, EXTERIOR IDENTIFICATION	1	1	1	1	1
B	-	75190600	LOGIC CARD COMPLEMENT (SEE SECTION 5)	1	1	1	1	1



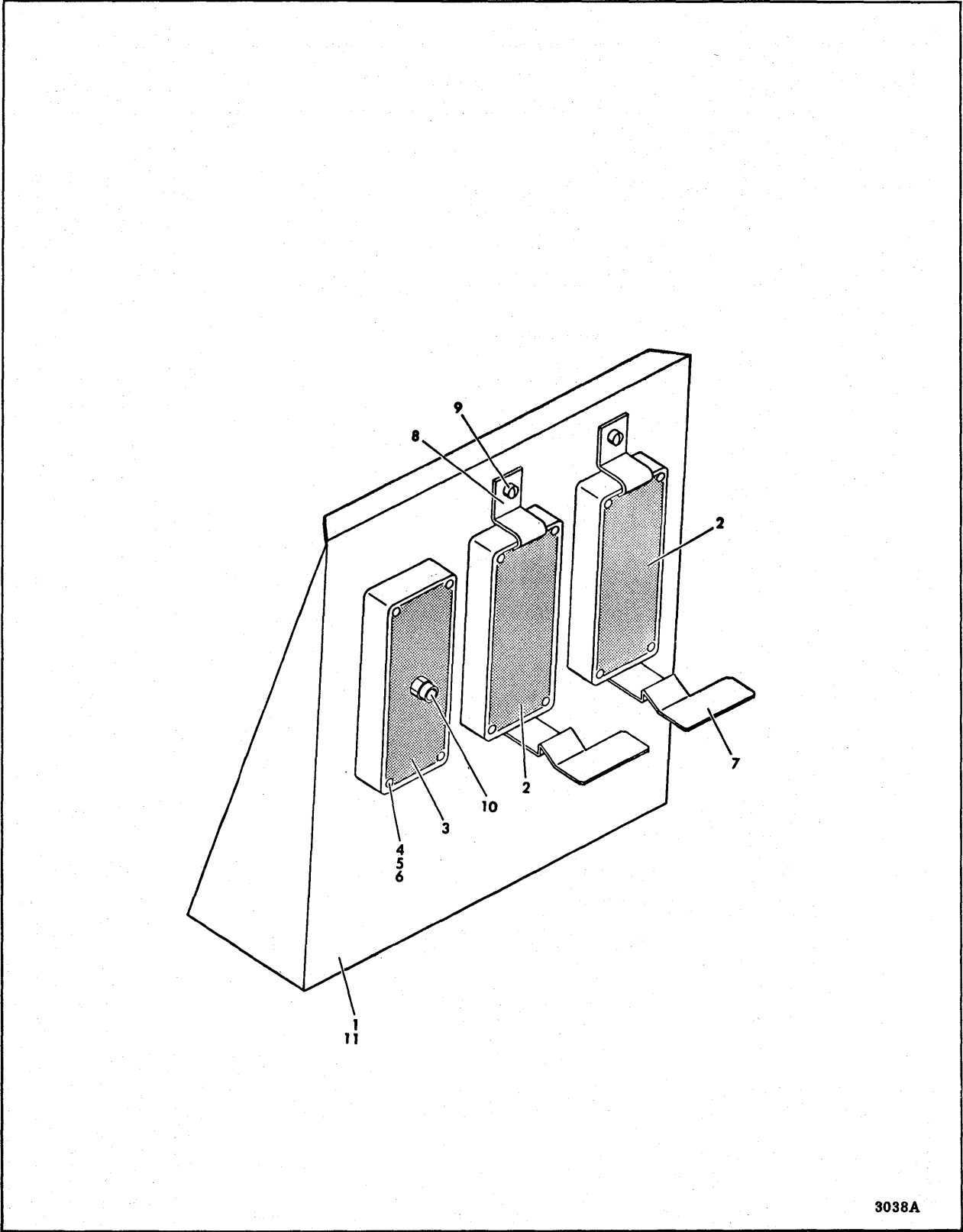
3001V

ASSY LEVEL	INDEX NO.	EQUIPMENT PART NUMBER	ITEM DESCRIPTION	MOD. LEVEL				
				A	B	C	D	E
				NO. REQUIRED				
A	1-		FINAL ASSEMBLY (SHEET 2 OF 2)					
B	-1		FRAME ASSEMBLY (SEE FIGURE 2)	1	1	1	1	1
B	-2	93592240	SCREW, MACHINE, HEXAGON WASHER HEAD, SELF TAPPING, 10-24 x 1/2	26	26	26	26	26
B	-3	76380100	POWER DISTRIBUTION ASSEMBLY	1	-	-	1	-
C	-		CABLE ASSEMBLY, W1 (SEE FIGURE 18)	1	-	-	1	-
B	-3	76380101	POWER DISTRIBUTION ASSEMBLY	-	1	-	-	1
C	-		CABLE ASSEMBLY, W1 (SEE FIGURE 18)	-	1	-	-	1
B	-3	75187300	POWER DISTRIBUTION ASSEMBLY	-	-	1	-	-
C	-	75186300	BOX, POWER, INPUT	-	-	1	-	-
C	-	94335401	PLUG, BOX, SOLID SHELL	-	-	1	-	-
C	-	93322011	RECEPTACLE, BOX, SOLID SHELL	-	-	1	-	-
C	-	10127334	SCREW, MACHINE, PAN HEAD, SLOTTED, 6-32 x 3/8	-	-	8	-	-
C	-	10126401	WASHERS, LOCK, EXTERNAL TOOTH, 6	-	-	8	-	-
C	-	10125105	NUT, HEXAGON, 6-32	-	-	8	-	-
C	-	10127123	SCREW, MACHINE, PAN HEAD, PHILLIPS, 8-32 x 1/2	-	-	2	-	-
C	-	10125804	WASHERS, LOCK, SPRING, 8	-	-	2	-	-
C	-	10125106	NUT, HEXAGON, 8-32	-	-	2	-	-
C	-	92801002	CLAMP, CABLE	-	-	1	-	-
C	-	24500533	CABLE, POWER	-	-	AR	-	-
C	-	94272330	BLOCK, TERMINAL	-	-	1	-	-
B	-4	94001126	TAPE, FOAM, 3/8 x 1/2	AR	AR	AR	AR	AR
B	-5	10127142	SCREW, MACHINE, PAN HEAD, PHILLIPS, 10-32 x 3/8	5	5	5	5	5
B	-6	10126105	WASHER, LOCK, INTERNAL TOOTH, 10	5	5	5	5	5
B	-7	92373004	NYLINER, SNAP-IN	2	2	2	2	2
B	-8	70948720	HINGE, DOOR	2	2	2	2	2
B	-9	94237703	TRIM, SAFETY, BLACK	AR	AR	AR	AR	AR
B	-10	75080700	SHROUD COVER ASSEMBLY	1	1	1	1	1
C	-	46487400	COVER, SHROUD	1	1	1	1	1
C	-	46493000	RETAINER	1	1	1	1	1
C	-	10125713	SCREW, MACHINE, FLAT HEAD, PHILLIPS, 6-32 x 5/16	7	7	7	7	7
C	-	75051000	HANDLE, INNER COVER	1	1	1	1	1
C	-	10125714	SCREW, MACHINE, FLAT HEAD, PHILLIPS, 6-32 x 3/8	2	2	2	2	2
C	-	10126103	WASHER, LOCK, INTERNAL TOOTH, 6	2	2	2	2	2
C	-	10125105	NUT, HEXAGON, 6-32	2	2	2	2	2
B	-11	10127113	SCREW, MACHINE, PAN HEAD, PHILLIPS, 6-32 x 3/8	11	11	11	11	11
B	-12	75091100	SHROUD, PACK	1	1	1	1	1
B	-13	75091300	COVER, BRUSH	1	1	1	1	1
B	-14	17901523	SCREW, MACHINE, THREAD ROLL, PHILLIPS, 10-32 x 3/8	1	1	1	1	1
B	-15	46492701	HINGE, RETAINER	1	1	1	1	1
B	-16	10127123	SCREW, MACHINE, PAN HEAD, PHILLIPS, 8-32 x 1/2	4	4	4	4	4
B	-17	10125606	WASHER, FLAT, 8	4	4	4	4	4
B	-18	10125804	WASHER, LOCK, SPRING, 8	4	4	4	4	4
B	-19	10125106	NUT, HEXAGON, 8-32	4	4	4	4	4
B	-20	46492700	HINGE, RETAINER	1	1	1	1	1
B	-21	41274002	BEARING	2	2	2	2	2
B	-22		ACTUATOR ASSEMBLY (SEE FIGURE 11)	1	1	1	1	1
B	-23		DECK ASSEMBLY (SEE FIGURE 5)	1	1	1	1	1
B	-24	45068500	PLATE, INFORMATION	1	1	1	1	1
B	-25	15001201	PLATE, IDENTIFICATION, CABINET	1	1	1	1	1
B	-26	15000700	PLATE, IDENTIFICATION, EQUIPMENT	1	1	1	1	1
B	-27	73189293	BELTLINE	1	1	1	1	1
B	-28	70943300	BRETLNET, GUIDE,	2	2	2	2	2
B	-29		CONNECTOR CHASSIS ASSEMBLY (SEE FIGURE 3)	1	1	1	1	1
B	-30		LOGIC FRAME ASSEMBLY (SEE FIGURE 14)	1	1	1	1	1



3034D

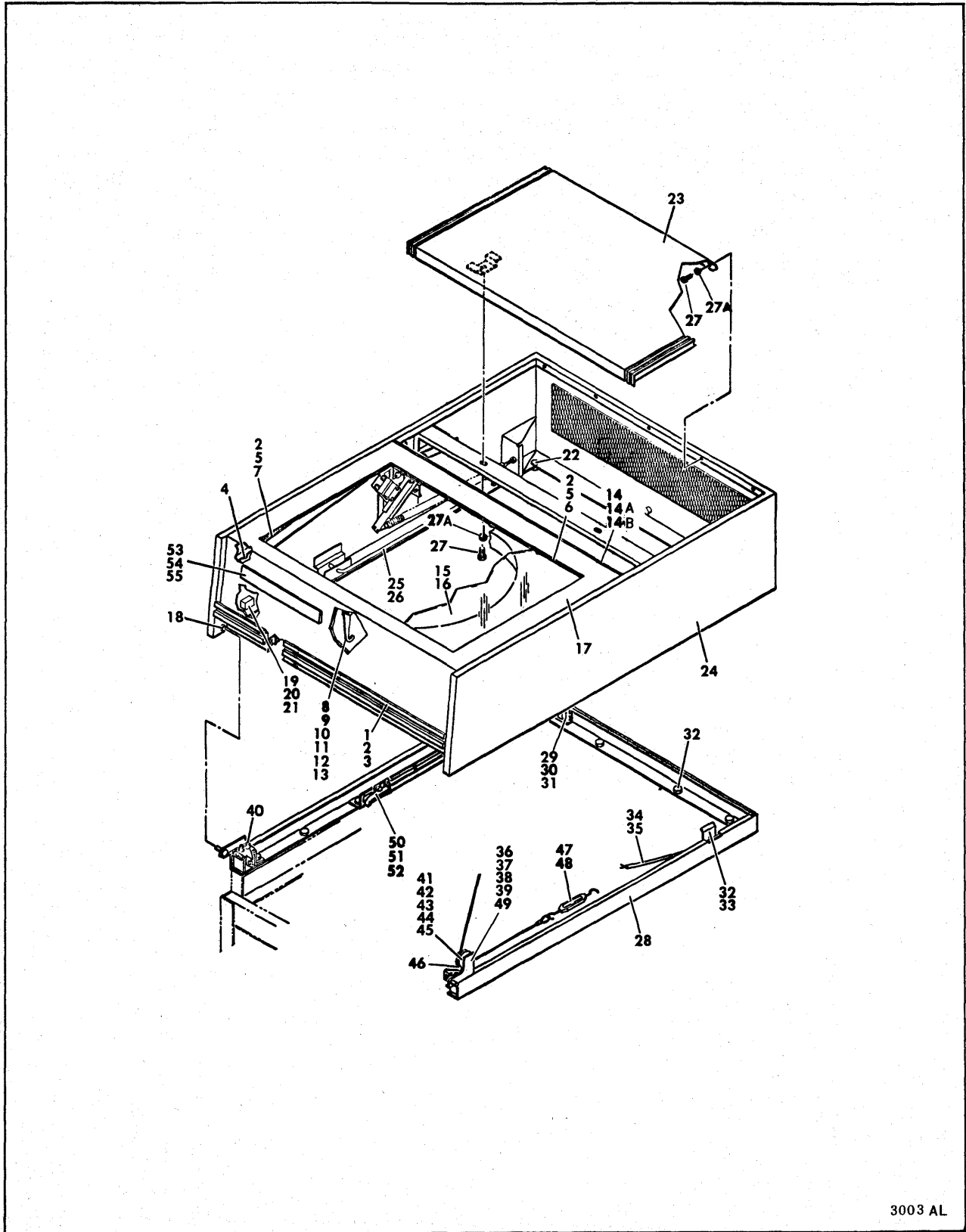
ASSY LEVEL	INDEX NO.	EQUIPMENT PART NUMBER	ITEM DESCRIPTION	MOD. LEVEL				
				A	B	C	D	E
				NO. REQUIRED				
B	2-	75190300	FRAME ASSEMBLY	1	-	1	-	-
B	2-	75190301	FRAME ASSEMBLY	-	1	-	-	-
B	2-	75190304	FRAME ASSEMBLY	-	-	-	1	-
B	2-	75190305	FRAME ASSEMBLY	-	-	-	-	1
C	-1		POWER SUPPLY ASSEMBLY (SEE FIGURE 15)	1	1	1	1	1
C	-2	93006035	NUT, JAM, HEXAGON, 1/2-13	4	4	4	4	4
C	-3	93697014	LEVELER	4	4	4	4	4
C	-4	93592238	SCREW, MACHINE, HEXAGON WASHER HEAD, SELF TAPPING, 10-24 x 3/8	21	21	21	21	21
C	-5	75192400	CLAMP, POWER SUPPLY	4	4	4	4	4
C	-6	93592240	SCREW, MACHINE, HEXAGON WASHER HEAD, SELF TAPPING 10-24 x 1/2	26	26	26	26	26
C	-7	70948800	HINGE, REAR DOOR, TOP	2	2	2	2	2
C	-8	94245301	ISOLATOR, VIBRATION	1	1	1	1	1
C	-9	94245300	ISOLATOR, VIBRATION	2	2	2	2	2
C	-10	94237703	TRIM, SAFETY, BLACK	AR	AR	AR	AR	AR
C	-11	75186100	CLAMP, CABLE, RIGGON	2	2	2	2	2
C	-12	10125107	NUT, HEXAGON	13	13	13	13	13
C	-13	40091800	ROD, CLAMP	4	4	4	4	4
C	-14	75186200	TUBE, BLOWER	1	1	1	1	1
C	-15	15012427	BUSHING, SNAP-IN	1	1	1	1	1
C	-16	75185900	PLENUM, BLOWER	1	1	1	1	1
C	-17	75185100	COVER, FILTER	1	1	1	1	1
C	-18	94301100	FILTER, AIR	1	1	1	1	1
C	-19	70726800	COVER, FILTER, BLOWER	1	1	1	1	1
C	-20	94311629	HOSE, FLEXIBLE	1	1	1	1	1
C	-21	94277401	STRAP, CABLE TIE	1	1	1	1	1
C	-22	10127135	SCREW, MACHINE, PAN HEAD, PHILLIPS, 10-24 x 7/8	2	2	2	2	2
C	-23	10125607	WASHER, FLAT, 10	13	13	13	13	13
C	-24	10125805	WASHER, LOCK, SPRING, 10	9	9	9	9	9
C	-25	75190200	BRACKET, CATCH, LOGIC	1	1	1	1	1
C	-26	70741800	LATCH, STOP	1	1	1	1	1
C	-27	10125737	SCREW, MACHINE, FLAT HEAD, PHILLIPS, 10-24 x 5/8	5	5	5	5	5
C	-28	75186500	BRACKET, HINGE	1	1	1	1	1
C	-29	45720600	PLATE, BACKING	2	2	2	2	2
C	-30	40011900	BRACKET STUD ASSEMBLY	4	4	4	4	4
C	-31	75185000	BRACKET, CABLE, CLAMP	2	2	2	2	2
C	-33	93592200	SCREW, MACHINE, HEXAGON WASHER HEAD, SELF TAPPING, 8-32 x 3/8	8	8	8	8	8
C	-34	40029600	SLIDE, SIDE PANEL	4	4	4	4	4
C	-35	40029700	HANGER, SIDE PANEL	2	2	2	2	2
C	-36	75187700	BLOWER MOTOR ASSEMBLY	1	1	1	1	1
D	-	94365300	BLOWER, SINGLE UNIT	1	1	1	1	1
D	-	93948003	CONNECTOR, PIN HOUSING	1	1	1	1	1
D	-	93942003	CONTACT, PIN	3	3	3	3	3
C	-37	70728200	CATCH, DOOR	2	2	2	2	2
C	-38	92682017	FILTER, AIR	1	1	1	1	1
C	-39	10126513	SCREW, MACHINE, HEXAGON HEAD, CAP, 5/16-18 x 1/2	16	16	16	16	16
C	-40	10125807	WASHER, LOCK, SPRING, 5/16	16	16	16	16	16
C	-41	92703013	CASTER	4	4	4	4	4
C	-42	94208500	LABEL, INFORMATION	1	1	1	1	1
C	-43	75193120	FRAME	1	1	1	1	1
B	-44	94275216	CLAMP, HOSE	1	1	1	1	1
B	-45		TRANSFORMER ASSEMBLY (SEE FIGURE 17)	-	-	-	1	1
C	-46	93109370	STANDOFF, SPACER	-	-	-	4	4
C	-47	10125608	WASHER, FLAT, 1/4	-	-	-	4	4
C	-48	10126106	WASHER, LOCK, INTERNAL TOOTH, 1/4	-	-	-	4	4
C	-49	10125301	NUT, HEXAGON, 1/4-20	-	-	-	4	4



3038A

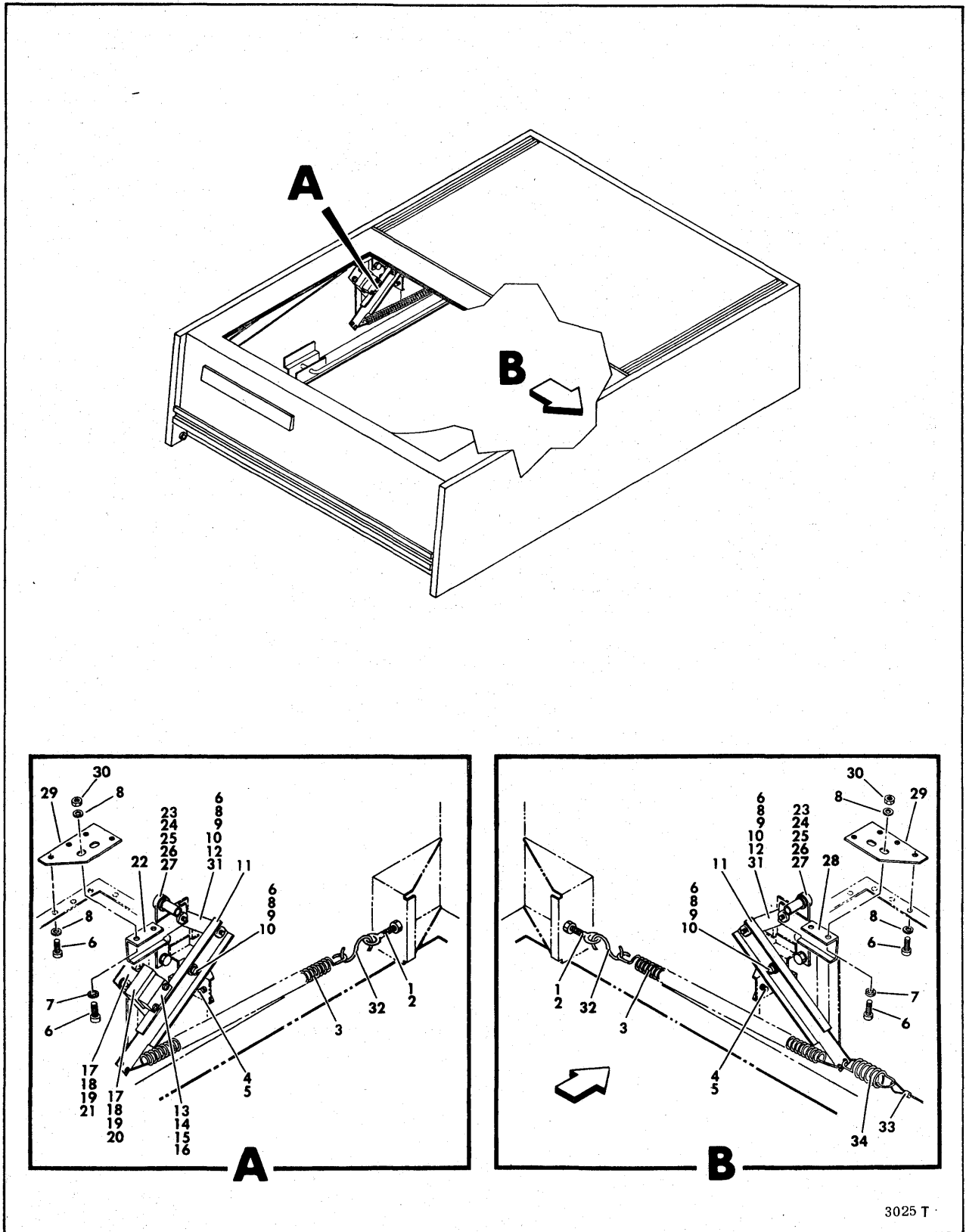


ASSY LEVEL	INDEX NO.	EQUIPMENT PART NUMBER	ITEM DESCRIPTION	MOD. LEVEL				
				A	B	C	D	E
				NO. REQUIRED				
B	3-	75192201	CONNECTOR CHASSIS ASSEMBLY	1	1	1	1	1
C	-1	77393000	BRACKET, CONNECTOR	1	1	1	1	1
C	-2		CABLE ASSEMBLY, W7 (SEE FIGURE 18)	1	1	1	1	1
C	-3		CABLE ASSEMBLY, W8 (SEE FIGURE 18)	1	1	1	1	1
C	-4	10127104	SCREW, MACHINE, PAN HEAD, PHILLIPS, 4-40 x 3/8	12	12	12	12	12
C	-5	10126400	WASHER, LOCK, EXTERNAL TOOTH, 4	12	12	12	12	12
C	-6	10125103	NUT, HEXAGON, 4-40	12	12	12	12	12
C	-7	75036900	LOCK, SPRING	2	2	2	2	2
C	-8	76377000	CLAMP, CONNECTOR	2	2	2	2	2
C	-9	10127336	SCREW, MACHINE, PAN HEAD, SLOTTED, 6-32 x 5/8	2	2	2	2	2
C	-10	94289202	CONNECTOR, 29 POSITION	1	1	1	1	1
C	-11	94208500	LABEL, INFORMATION	1	1	1	1	1



3003 AL

ASSY LEVEL	INDEX NO.	EQUIPMENT PART NUMBER	ITEM DESCRIPTION	MOD. LEVEL				
				A	B	C	D	E
				NO. REQUIRED				
B	4-	75001213	TOP COVER ASSEMBLY (SHEET 1 OF 2)	1	1	1	1	1
C	-	73634906	PACK ACCESS COVER ASSEMBLY	1	1	1	1	1
D	-1	10127111	SCREW, MACHINE, PAN HEAD, PHILLIPS, 6-32 x 1/4	6	6	6	6	6
D	-2	10126103	WASHER, LOCK, INTERNAL TOOTH, 6	18	18	18	18	18
D	-3	70743500	HANDLE, ACCESS COVER	1	1	1	1	1
D	-4	92633021	BUMPER, GROMMET	2	2	2	2	2
D	-5	10125105	NUT, HEXAGON, 6-32	12	12	12	12	12
D	-	10125605	WASHER, FLAT, 6	1	1	1	1	1
D	-6	72943895	RETAINER, GLASS	2	2	2	2	2
D	-7	72943795	RETAINER, GLASS	2	2	2	2	2
D	-8	10127122	SCREW, MACHINE, PAN HEAD, PHILLIPS, 8-32 x 3/8	1	1	1	1	1
D	-9	10125606	WASHER, FLAT, 8	1	1	1	1	1
D	-10	10125804	WASHER, LOCK, SPRING, 8	1	1	1	1	1
D	-11	73563700	BRACKET, LATCH	1	1	1	1	1
D	-12	46489800	SLEEVE, LATCH	1	1	1	1	1
D	-13	46492600	LATCH	1	1	1	1	1
D	-14	92815159	SCREW, MACHINE, SOCKET HEAD, 6-32 x 3/8	8	8	8	8	8
D	-14A	10125803	WASHER, LOCK, SPRING, 6	8	8	8	8	8
D	-14B	70949100	HINGE, VARIABLE	1	1	1	1	1
D	-15	94060008	CHANNEL, RUBBER	AR	AR	AR	AR	AR
D	-16	40079404	WINDOW, FRONT COVER	1	1	1	1	1
D	-17	73634795	COVER, PACK ACCESS	1	1	1	1	1
C	-18	92373005	NYLINER, SNAP-ON	2	2	2	2	2
C	-19	10126103	WASHER, LOCK, INTERNAL TOOTH, 6	1	1	1	1	1
C	-20	10125105	NUT, HEXAGON, 6-32	2	2	2	2	2
C	-21	94277503	BASE, MOUNTING	1	1	1	1	1
C	-22	92633015	BUMPER, GROMMET	2	2	2	2	2
C	-23	73605495	COVER, REAR	1	1	1	1	1
C	-24	72942448	COVER, TOP	1	1	1	1	1
C	-25	10127113	SCREW, MACHINE, PAN HEAD, PHILLIPS, 6-32 x 3/8	1	1	1	1	1
C	-26	41276800	ROD, RETAINING	1	1	1	1	1
C	-27	93590238	SCREW, MACHINE, PAN HEAD, PHILLIPS, SELF-TAPPING, 10-24 x 3/8	7	7	7	7	7
C	-27A	10125607	WASHER, FLAT, 10	7	7	7	7	7
B	-28	73189293	BELTLINE	1	1	1	1	1
B	-29	10127331	SCREW, MACHINE, PAN HEAD, SLOTTED, 6-32 x 3/16	2	2	2	2	2
B	-30	93560001	SWITCH, INTERLOCK	1	1	1	1	1
B	-31	93342096	SCREW, NYLON, PAN HEAD, SLOTTED, 4-40 x 1/4	1	1	1	1	1
B	-32	93592240	SCREW, MACHINE, HEXAGON WASHER HEAD, SELF-TAPPING, 10-24 x 1/2	20	20	20	20	20
B	-33	70943300	BRACKET, GUIDE	2	2	2	2	2
B	-34	94277400	CLAMP, CABLE, NYLON	2	2	2	2	2
B	-35	94281401	CABLE, GROUND					
B	-36	92866131	SCREW, MACHINE, HEXAGON HEAD, 10-32 x 3/4	4	4	4	4	4
B	-37	93210009	WASHER, SST, 10	4	4	4	4	4
B	-38	10125805	WASHER, LOCK, SPRING, 10	4	4	4	4	4
B	-39	72943300	HINGE, TOP COVER, RIGHT	1	1	1	1	1
B	-40	73108000	HINGE, TOP COVER, LEFT	1	1	1	1	1
B	-41	10125107	NUT, HEXAGON, 10-24	2	2	2	2	2
B	-42	94047042	WASHER, SPECIAL	2	2	2	2	2
B	-43	10126105	WASHER, LOCK, INTERNAL TOOTH, 10	1	1	1	1	1
B	-44	72819200	PULLEY, GUIDE CABLE	1	1	1	1	1
B	-45	72943600	SLEEVE, PULLEY	1	1	1	1	1
B	-46	73223900	CLAMP, CABLE	1	1	1	1	1
B	-47	73224400	TURNBUCKLE	1	1	1	1	1
B	-48	10125106	NUT, HEXAGON, 8-32	1	1	1	1	1
B	-49	93564002	WASHER, NYLON	2	2	2	2	2
B	-50	41276700	SLIDE, RETAINING ROD	1	1	1	1	1
B	-51	41276900	SPRING, RETAINING ROD	1	1	1	1	1
B	-52	93592082	SCREW, MACHINE, HEXAGON WASHER HEAD, SELF-TAPPING, 4-40 x 1/4	2	2	2	2	2



3025 T

ASSY LEVEL	INDEX NO.	EQUIPMENT PART NUMBER	ITEM DESCRIPTION	MOD. LEVEL				
				A	B	C	D	E
				NO. REQUIRED				
B	4-		TOP COVER ASSEMBLY (SHEET 2 OF 2)	1	1	1	1	1
C	-1	94338804	BOLT, EYE	2	2	2	2	2
C	-2	10125107	NUT, HEXAGON, 10-24	4	4	4	4	4
C	-3	72943400	SPRING, EXTENSION	2	2	2	2	2
C	-4	93078330	SCREW, MACHINE, SET, HEXAGON, 10-32 x 1/2	2	2	2	2	2
C	-5	10125108	NUT, HEXAGON, 10-32	2	2	2	2	2
C	-6	10126227	SCREW, MACHINE, HEXAGON SOCKET HEAD, 8-32 x 5/8	18	18	18	18	18
C	-7	10126104	WASHER, LOCK, INTERNAL TOOTH, 8	4	4	4	4	4
C	-8	10125606	WASHER, FLAT, 8	18	18	18	18	18
C	-9	93529031	WASHER, SPRINGWAVE, 8	6	6	6	6	6
C	-10	93564002	WASHER, NYLON, 8	6	6	6	6	6
C	-11	72942300	ARM, SPRING, PIVOT	2	2	2	2	2
C	-12	72942200	LINKAGE, SPRING, ARM	2	2	2	2	2
C	-13	10127106	SCREW, MACHINE, PAN HEAD, PHILLIPS, 4-40 x 5/8	2	2	2	2	2
C	-14	10126400	WASHER, LOCK, EXTERNAL TOOTH, 4	2	2	2	2	2
C	-15	10125103	NUT, HEXAGON, 4-40	2	2	2	2	2
C	-16	93786005	SWITCH, MINACTUATOR	1	1	1	1	1
C	-17	10127141	SCREW, MACHINE, PAN HEAD, PHILLIPS, 10-32 x 5/16	4	4	4	4	4
C	-18	10125607	WASHER, FLAT, 10	4	4	4	4	4
C	-19	10126105	WASHER, LOCK, INTERNAL TOOTH, 10	4	4	4	4	4
C	-20	72944600	BRACKET, SWITCH, ADJUSTMENT	1	1	1	1	1
C	-21	72944700	BRACKET, SWITCH, MOUNTING	1	1	1	1	1
C	-22	73634801	BRACKET, PACK ACCESS, LEFT	1	1	1	1	1
C	-23	10126500	SCREW, MACHINE, HEXAGON HEAD, 1/4-20 x 1/2	4	4	4	4	4
C	-24	10126106	WASHER, LOCK, INTERNAL TOOTH, 1/4	4	4	4	4	4
C	-25	41273900	PIN, HINGE, FRONT COVER	2	2	2	2	2
C	-26	41274000	BEARING, FLANGED	2	2	2	2	2
C	-27	73570500	PAD, FRICTION	2	2	2	2	2
C	-28	73634800	BRACKET, PACK ACCESS, RIGHT	1	1	1	1	1
C	-29	75055600	PLATE, HINGE	2	2	2	2	2
C	-30	10125106	NUT, HEXAGON, 8-32	4	4	4	4	4
C	-31	94217702	NUT, SELF-LOCKING, 8-32	4	4	4	4	4
	-32		NOT APPLICABLE					
B	-33	93839003	CABLE	AR	AR	AR	AR	AR
B	-	00867102	SLEEVE, CABLE	2	2	2	2	2
B	-34	40024200	SPRING, IDLER	1	1	1	1	1

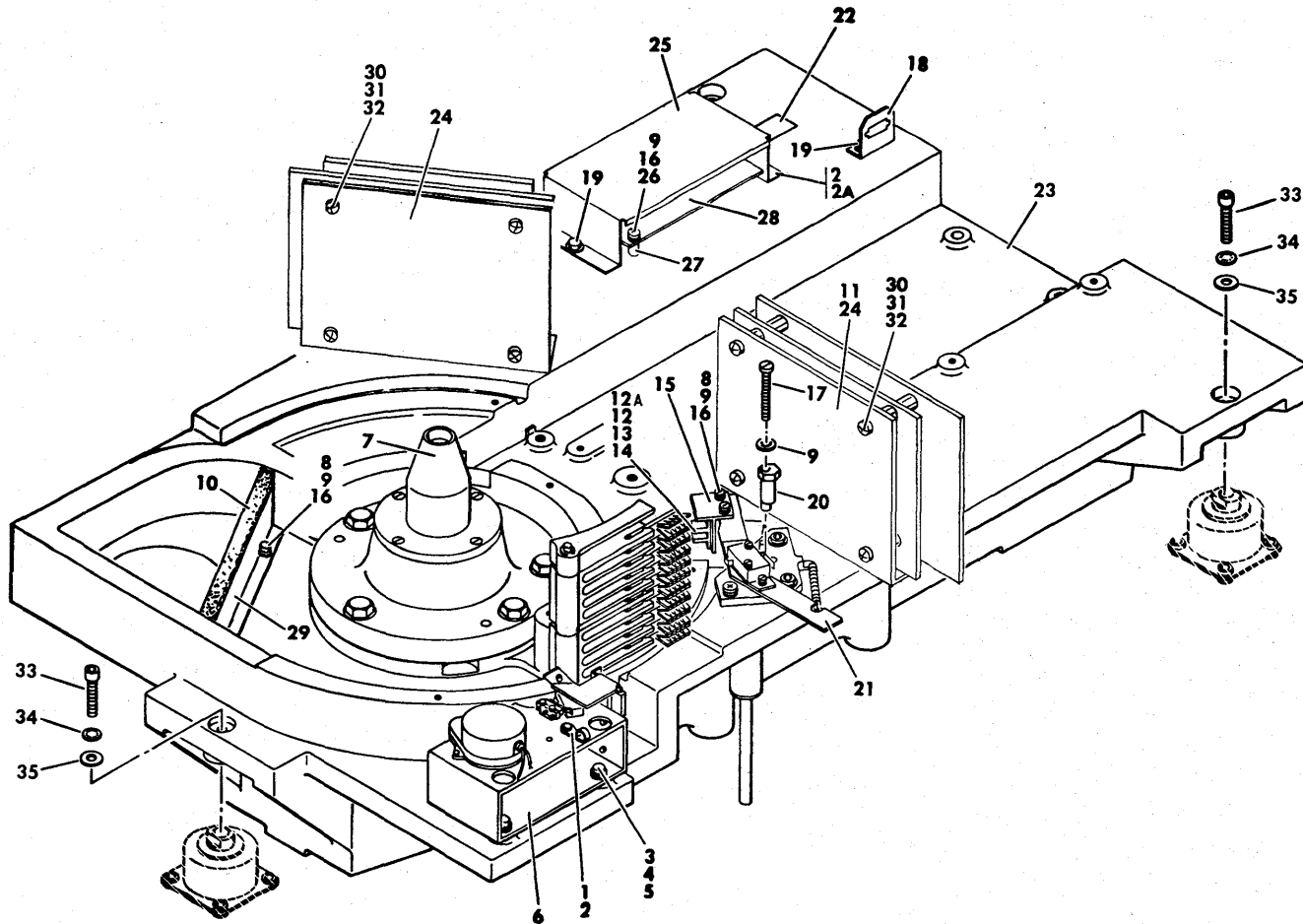
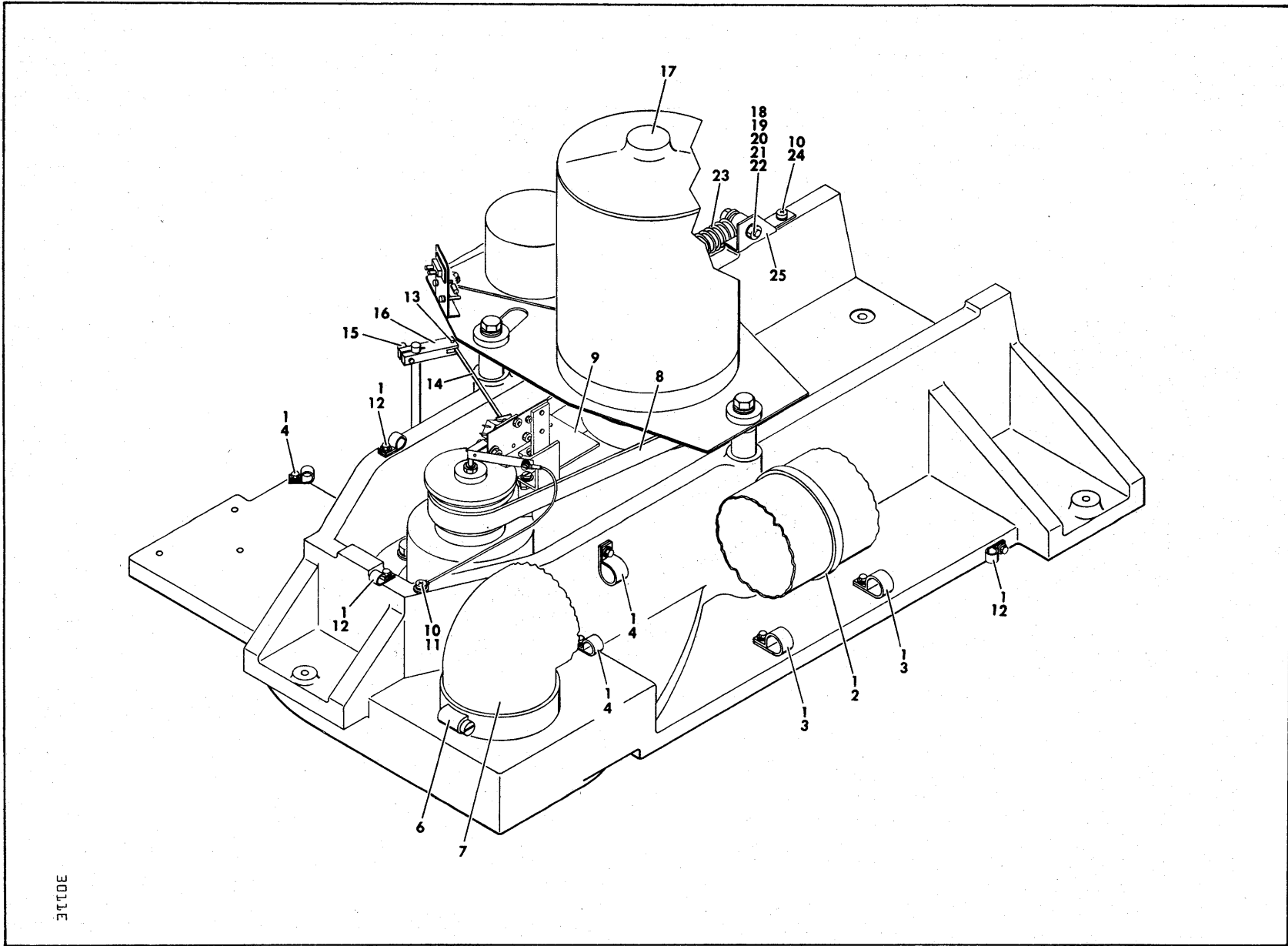


FIGURE 5. DECK ASSEMBLY (SHEET 1 OF 2)

3005 V

ASSY LEVEL	INDEX NO.	EQUIPMENT PART NUMBER	ITEM DESCRIPTION	MOD. LEVEL				
				A	B	C	D	E
				NO. REQUIRED				
B	5-	75001312	DECK ASSEMBLY, 60 HZ (SHEET 1 OF 2)	1	-	1	1	-
B	5-	75001313	DECK ASSEMBLY, 50 HZ	-	1	-	-	1
C	-1	10127122	SCREW, MACHINE, PAN HEAD, PHILLIPS, 8-32 x 3/8	1	1	1	1	1
C	-2	94277406	STRAP, CABLE TIE	2	2	2	2	2
C	-2A	93592202	SCREW, MACHINE, HEXAGON HEAD, 8-32 x 1/2	1	1	1	1	1
C	-3	10127132	SCREW, MACHINE, PAN HEAD, PHILLIPS, 10-24 x 1/2	3	3	3	3	3
C	-4	10125607	WASHER, FLAT, 10	3	3	3	3	3
C	-5	10126105	WASHER, LOCK, INTERNAL TOOTH, 10	3	3	3	3	3
C	-6		DISK CLEANER ASSEMBLY (SEE FIGURE 8)	1	1	1	1	1
C	-7		SPINDLE AND LOCKSHAFT ASSEMBLY (SEE FIGURE 6)	1	1	1	1	1
C	-8	10127113	SCREW, MACHINE, PAN HEAD, PHILLIPS, 6-32 x 3/8	4	4	4	4	4
C	-9	10126103	WASHER, LOCK, INTERNAL TOOTH, 6	8	8	8	8	8
C	-10	94001000	TAPE, FOAM, 1/8 x 1/2	AR	AR	AR	AR	AR
C	-11		READ/WRITE AND W15 CABLE ASSEMBLY (SEE FIGURE 18)	1	1	1	1	1
C	-	94241915	CLIP, CABLE	4	4	4	4	4
C	-	73245300	SECTOR BLOCK ASSEMBLY	1	1	1	1	1
D	-12	10127103	SCREW, MACHINE, PAN HEAD, PHILLIPS, 4-40 x 5/16	4	4	4	4	4
D	-12A	93342097	SCREW, MACHINE, NYLON, 4-40 x 5/16	2	2	2	2	2
D	-13	10126101	WASHER, LOCK, INTERNAL TOOTH, 4	4	4	4	4	4
D	-14	94259000	SENSOR, SECTOR	1	1	1	1	1
D	-15	73245400	MOUNT, SENSOR	1	1	1	1	1
D	-	92707001	TERMINAL, INSULATED	4	4	4	4	4
D	-	93948008	CONNECTOR, RECEPTACLE	1	1	1	1	1
D	-	93942008	CONTACT, PIN, 22-18 WIRE RANGE	4	4	4	4	4
C	-16	10125605	WASHER, FLAT, 6	7	7	7	7	7
C	-17	10127342	SCREW, MACHINE, PAN HEAD, SLOTTED, 6-32 x 1-3/4	1	1	1	1	1
C	-18	72823901	BRACKET, CONNECTOR, 3 PIN	1	1	1	1	1
C	-19	93592200	SCREW, MACHINE, HEXAGON HEAD, 8-32 x 3/8	4	4	4	4	4
C	-20	46494300	CAM, ADJUSTMENT	1	1	1	1	1
C	-21		SECTOR SENSOR POSITIONER ASSEMBLY (SEE FIGURE 7)	1	1	1	1	1
C	-22	94208500	LABEL	1	1	1	1	1
C	-23	73213700	DECK, MACHINING	1	1	1	1	1
C	-		V-C POWER CABLE ASSEMBLY (SEE FIGURE 18)	1	1	1	1	1
C	-24	73629308	W4 HARNESS AND PREAMP ASSEMBLY (W4-SEE FIGURE 18)	1	1	1	1	1
D	-	75187101	BRACKET, PREAMP, MOUNTING (LEFT)	1	1	1	1	1
D	-	75187100	BRACKET, PREAMP, MOUNTING (RIGHT)	1	1	1	1	1
D	-	10127114	SCREW, MACHINE, PAN HEAD, PHILLIPS, 6-32 x 1/2	8	8	8	8	8
D	-	10126401	WASHER, LOCK, EXTERNAL TOOTH, 6	8	8	8	8	8
D	-	10125605	WASHER, FLAT, 6	16	16	16	16	16
D	-	10125105	NUT, HEXAGON, 6-32	8	8	8	8	8
C	-25	77438600	COVER, CARD, TRANSDUCER	1	1	1	1	1
C	-26	10127117	SCREW, MACHINE, PAN HEAD, PHILLIPS, 6-32 x 7/8	1	1	1	1	1
C	-27	93109312	STANDOFF, SPACER, ROUND	3	3	3	3	3
C	-28	70738502	CIRCUIT CARD ASSEMBLY, POSITION TRANSDUCER	1	1	1	1	1
C	-29	73109600	DEFLECTOR, AIR	1	1	1	1	1
B	-30	10127113	SCREW, MACHINE, PAN HEAD, PHILLIPS, 6-32 x 3/8	8	8	8	8	8
B	-31	10125605	WASHER, FLAT, 6	8	8	8	8	8
B	-32	93114214	STANDOFF, TAPPED POST	8	8	8	8	8
B	-33	10126259	SCREW, MACHINE, HEXAGON SOCKET HEAD, CAP, 1/4-20 x 1-1/4	3	3	3	3	3
B	-34	10126106	WASHER, LOCK, INTERNAL TOOTH, 1/4	3	3	3	3	3
B	-35	10125608	WASHER, FLAT, 1/4	3	3	3	3	3

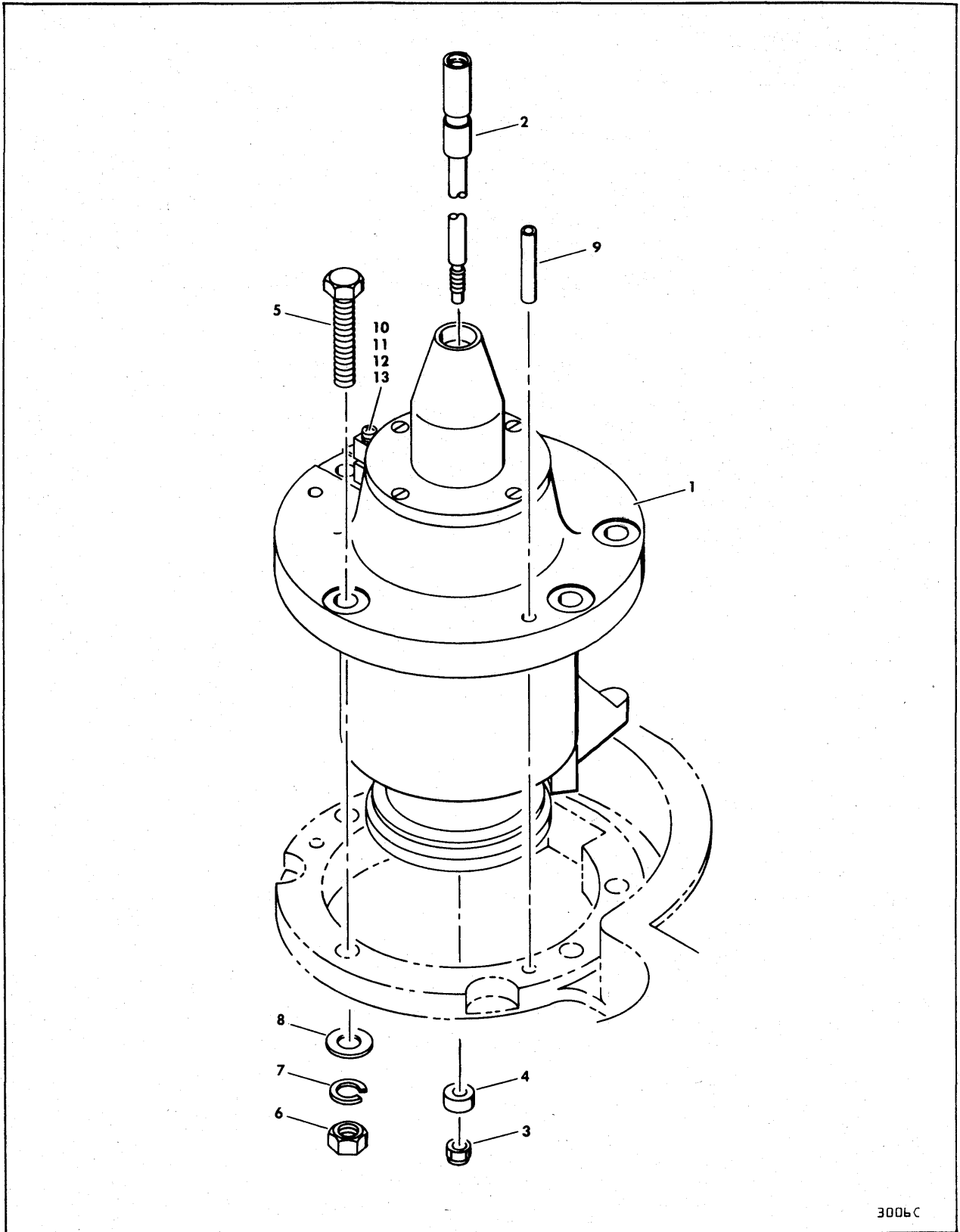


3011E

FIGURE 5. DECK ASSEMBLY BOTTOM (SHEET 2 of 2)



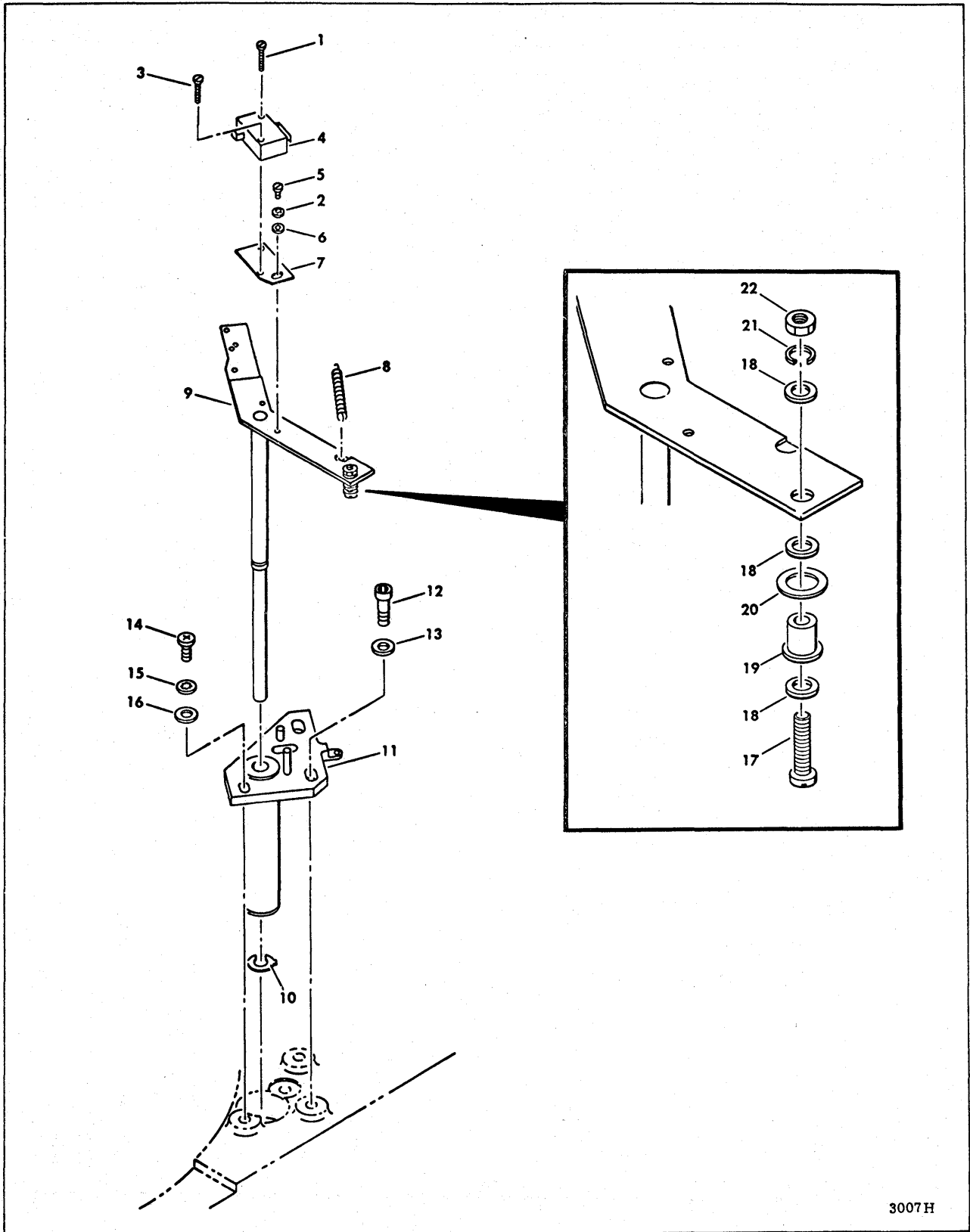
ASSY LEVEL	INDEX NO.	EQUIPMENT PART NUMBER	ITEM DESCRIPTION	MOD. LEVEL				
				A	B	C	D	E
				NO. REQUIRED				
B	5-		DECK ASSEMBLY, (SHEET 2 OF 2)	1	1	1	1	1
C	-1	93592200	SCREW, MACHINE, HEXAGON HEAD, TPG, 8-32 x 3/8	1	1	1	1	1
C	-2	94277419	STRAP, HOSE CLAMP	1	1	1	1	1
C	-3	93592202	SCREW, MACHINE, HEXAGON HEAD, TPG, 8-32 x 1/2	10	10	10	10	10
C	-4	94277406	STRAP, CABLE TIE	10	10	10	10	10
	-5		NOT USED					
C	-6	94275216	CLAMP, HOSE	1	1	1	1	1
C	-7	94311621	HOSE, FLEXIBLE	1	1	1	1	1
C	-8	92314075	BELT, DRIVE, FLAT, 60 HZ	1	-	1	1	-
C	-8	92314077	BELT, DRIVE, FLAT, 50 HZ	-	1	-	-	1
C	-9		RATCHET BRAKE ASSEMBLY (SEE FIGURE 8)	1	1	1	1	1
C	-10	10127131	SCREW, MACHINE, PAN HEAD, PHILLIPS, 10-24 x 3/8	3	3	3	3	3
C	-11	10126402	WASHER, LOCK, EXTERNAL TOOTH, 8	1	1	1	1	1
	-12		NOT USED					
D	-	73537600	RATCHET BRAKE LINKAGE ASSEMBLY	1	1	1	1	1
D	-13	93530015	PIN, ROLL	1	1	1	1	1
D	-14	73537700	ROD, CONNECTING	1	1	1	1	1
D	-15	10126235	SCREW, MACHINE, HEXAGON SOCKET HEAD, CAP, 10-24 x 5/8	1	1	1	1	1
D	-16	73226700	ARM, LINKAGE	1	1	1	1	1
C	-17		MOTOR AND BRAKE ASSEMBLY (SEE FIGURE 10)	1	1	1	1	1
C	-18	10126506	SCREW, MACHINE, HEXAGON HEAD, PLAIN, 1/4-20 x 1-1/2	1	1	1	1	1
C	-19	10125608	WASHER, FLAT, 1/4	1	1	1	1	1
C	-20	10126106	WASHER, LOCK, INTERNAL TOOTH, 1/4	1	1	1	1	1
C	-21	40023600	POST, IDLER SPRING	1	1	1	1	1
C	-22	10125301	NUT, HEXAGON, 1/4-20	1	1	1	1	1
C	-23	40024201	SPRING, IDLER	1	1	1	1	1
C	-24	10125607	WASHER, FLAT, 10	2	2	2	2	2
C	-25	46494400	BRACKET, MOUNTING	1	1	1	1	1



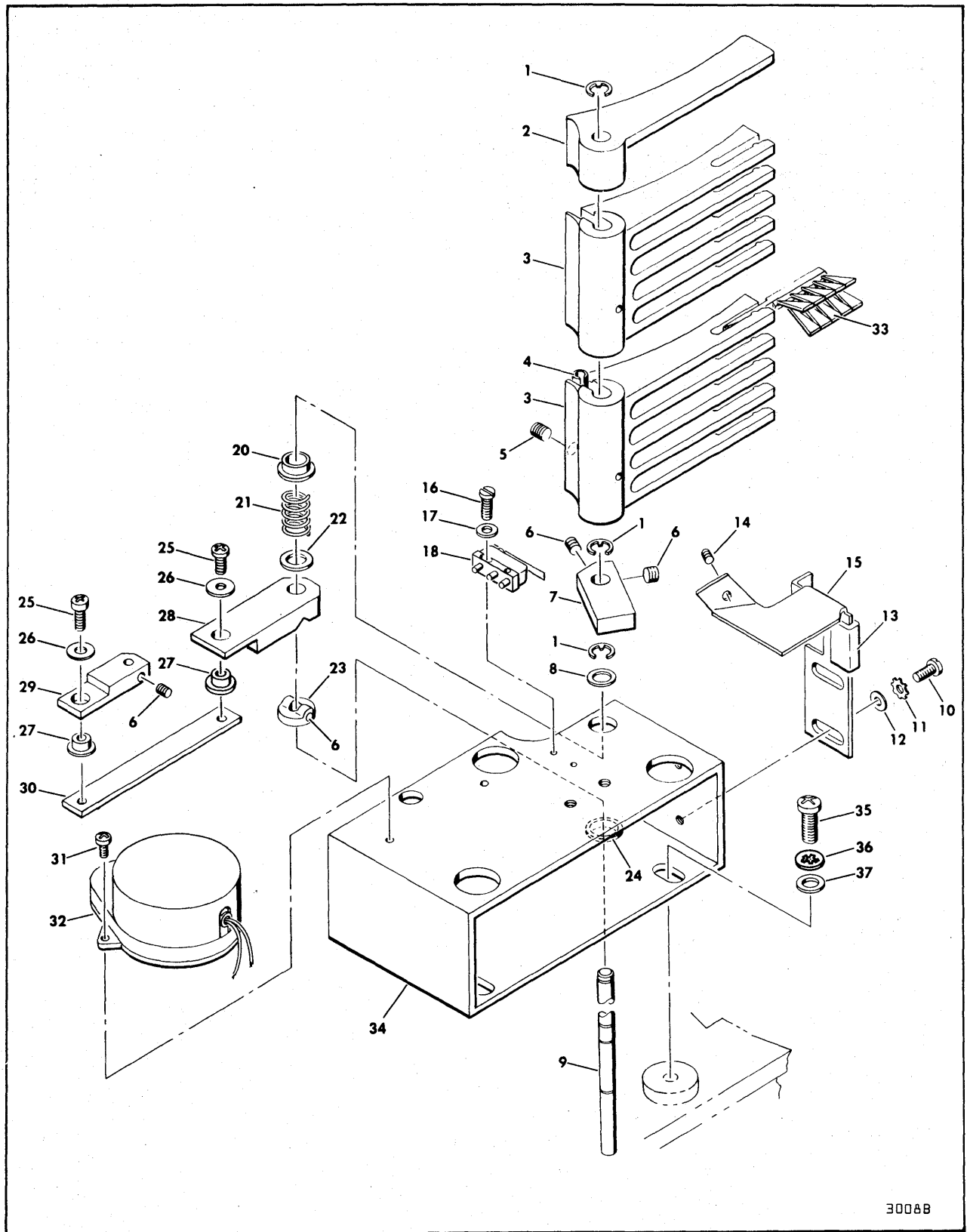
3006C

ASSY LEVEL	INDEX NO.	EQUIPMENT PART NUMBER	ITEM DESCRIPTION	MOD. LEVEL				
				A	B	C	D	E
				NO. REQUIRED				
C	5-	73544400	SPINDLE AND LOCKSHAFT ASSEMBLY	1	1	1	1	1
D	-1	73544300*	GRINDING, SPINDLE ASSEMBLY	1	1	1	1	1
D	-2	73232000*	LOCKSHAFT, SPINDLE	1	1	1	1	1
D	-3	94339806	NUT, OPEN CAP	1	1	1	1	1
D	-4	72808700	WASHER, STOP	1	1	1	1	1
C	-5	10126534	SCREW, PLAIN HEXAGON HEAD, 3/8 - 16 x 2	4	4	4	4	4
C	-6	10125303	NUT, HEXAGON, 3/8 - 16	4	4	4	4	4
C	-7	10125808	WASHER, SPRING LOCK, 3/8	4	4	4	4	4
C	-8	10125610	WASHER, PLAIN, 3/8	4	4	4	4	4
C	-9	93530424	PIN, ROLL	2	2	2	2	2
B	-10	73543700	CLAMP, TUBE, REAR	1	1	1	1	1
B	-11	10127119	SCREW, PAN HEAD, MACHINE, 6-32 x 1-1/4	1	1	1	1	1
B	-12	10125803	WASHER, SPRING LOCK, 6	1	1	1	1	1
B	-13	10125605	WASHER, PLAIN	1	1	1	1	1

\*REPLACE THESE ITEMS AS UNITS.

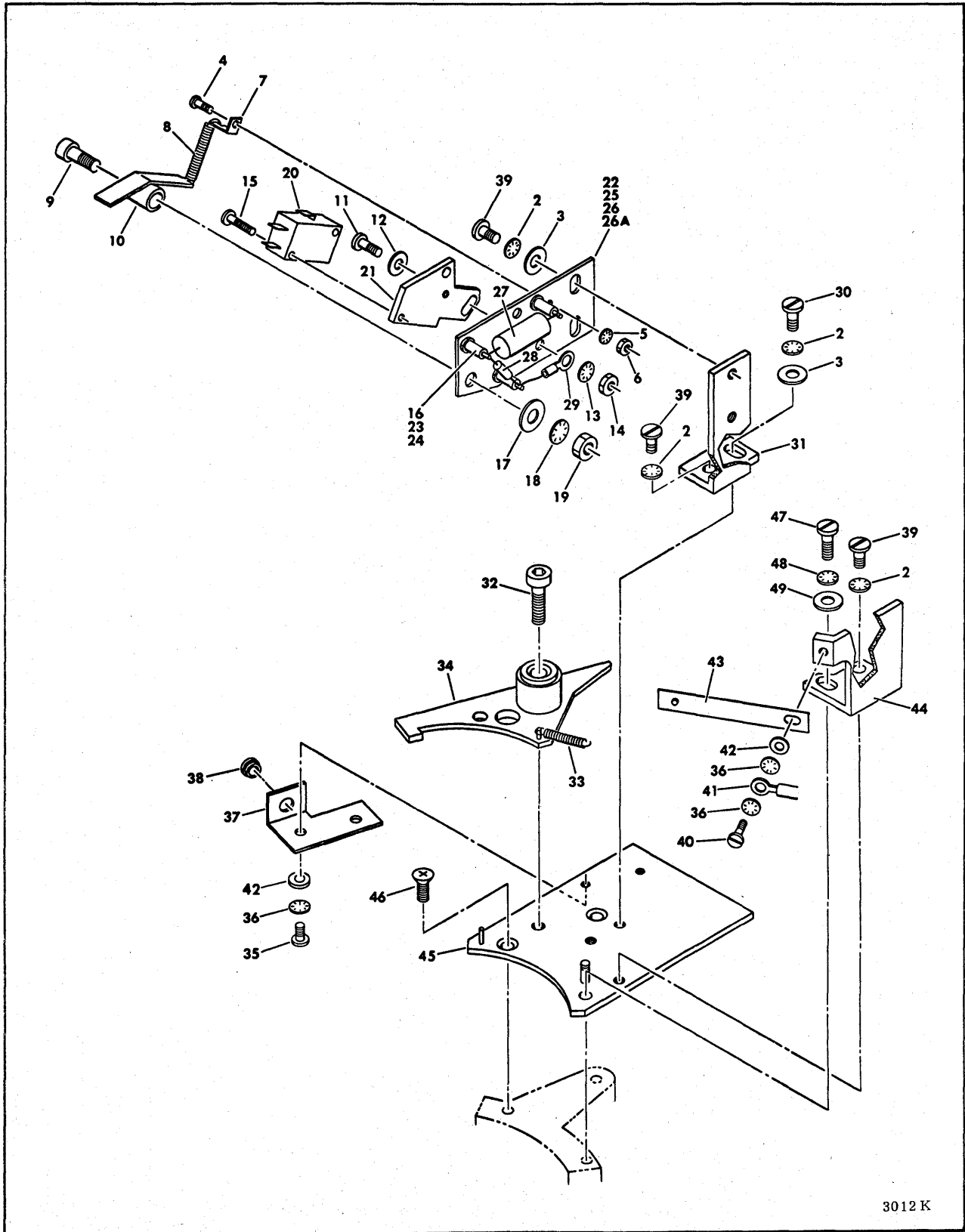


ASSY LEVEL	INDEX NO.	EQUIPMENT PART NUMBER	ITEM DESCRIPTION	MOD. LEVEL				
				A	B	C	D	E
				NO. REQUIRED				
C	7-	73245200	SECTOR SENSOR POSITIONER ASSEMBLY	1	1	1	1	1
D	-1	10127324	SCREW, MACHINE, PAN HEAD, SLOTTED, 4-40 x 5/8	1	1	1	1	1
D	-2	10126101	WASHER, LOCK, INTERNAL TOOTH, 4	3	3	3	3	3
D	-3	10127323	SCREW, MACHINE, PAN HEAD, SLOTTED, 4-40 x 1/2	1	1	1	1	1
D	-4	93786002	SWITCH, MINIACTUATOR	1	1	1	1	1
D	-5	10127321	SCREW, MACHINE, PAN HEAD, SLOTTED, 4-40 x 3/8	1	1	1	1	1
D	-6	10125603	WASHER, FLAT, 4	1	1	1	1	1
D	-7	73220200	BRACKET, SWITCH, MOUNTING	1	1	1	1	1
D	-8	73224100	SPRING, EXTENSION	1	1	1	1	1
D	-9	73245100	ARM, POSITIONING	1	1	1	1	1
D	-10	92033277	RING, RETAINING	1	1	1	1	1
D	-11	46486700	PLATE, MOUNTING	1	1	1	1	1
C	-12	93707001	SCREW, MACHINE, HEXAGON SOCKET HEAD, CAP, 10-24 x 3/8	2	2	2	2	2
C	-13	92009035	WASHER, FLAT, 10	2	2	2	2	2
C	-14	10127132	SCREW, MACHINE, PAN HEAD, PHILLIPS, 10-24 x 1/2	1	1	1	1	1
C	-15	10126105	WASHER, LOCK, INTERNAL TOOTH, 10	1	1	1	1	1
C	-16	10125607	WASHER, FLAT, 10	1	1	1	1	1
B	-17	10127117	SCREW, MACHINE, PAN HEAD, PHILLIPS, 6-32 x 7/8	1	1	1	1	1
B	-18	10125605	WASHER, FLAT, 6	3	3	3	3	3
B	-19	70738900	SPACER, NYLON	1	1	1	1	1
B	-20	93564002	WASHER, NYLON	2	2	2	2	2
B	-21	10125803	WASHER, LOCK, SPRING, 6	1	1	1	1	1
B	-22	10125105	NUT, HEXAGON, 6-32	1	1	1	1	1



3008B

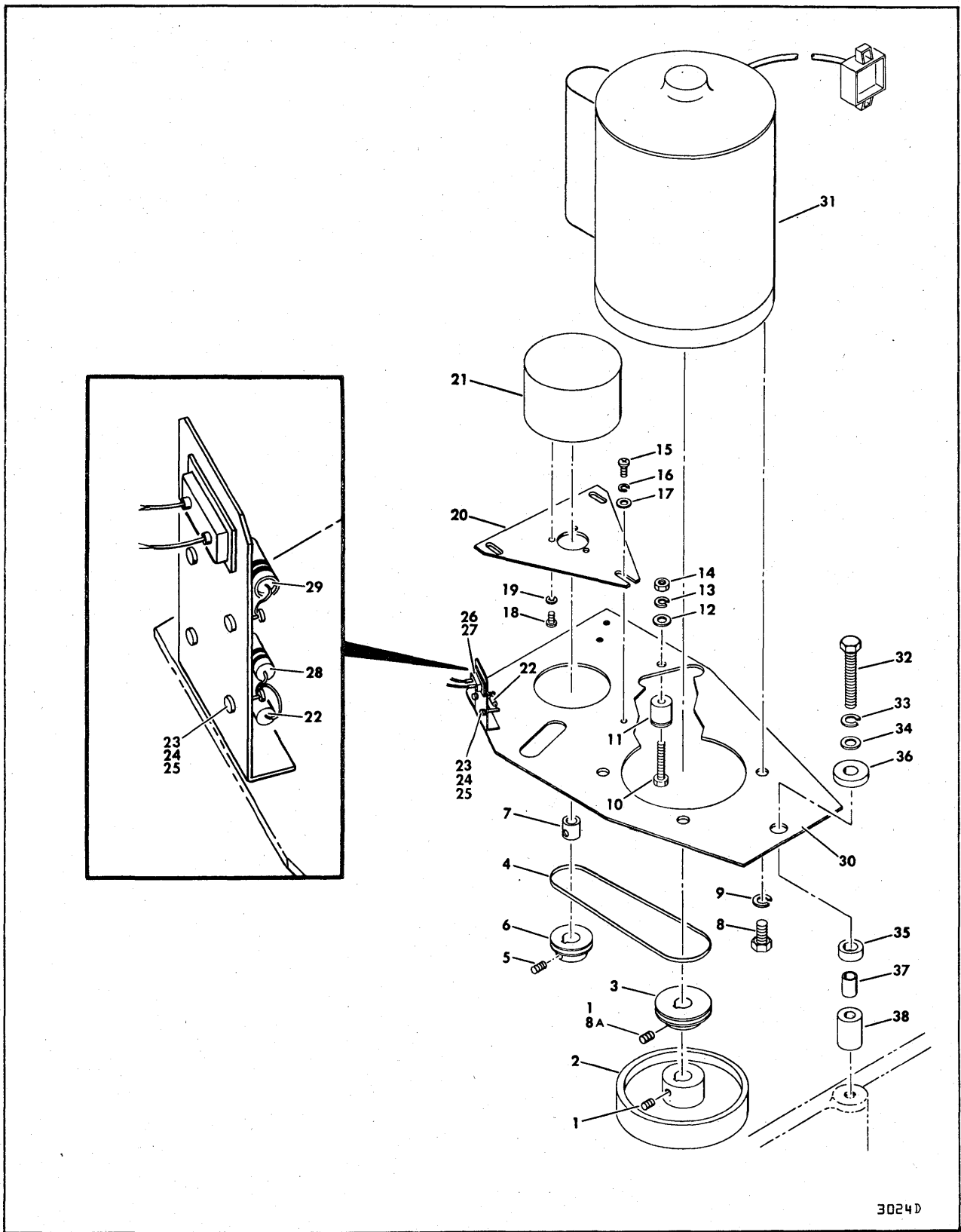
ASSY LEVEL	INDEX NO.	EQUIPMENT PART NUMBER	ITEM DESCRIPTION	MOD. LEVEL				
				A	B	C	D	E
				NO. REQUIRED				
C	8-	72963102	DISK CLEANER ASSEMBLY, 60 HZ	1	-	1	1	-
C	8-	72963103	DISK CLEANER ASSEMBLY, 50 HZ	-	1	-	-	1
D	-1	92033038	RING, RETAINING	3	3	3	3	3
D	-2	45497200	ARM, BRUSH	2	2	2	2	2
D	-3	45497300	HOLDER, BRUSH	2	2	2	2	2
D	-4	93530242	PIN, ROLL	1	1	1	1	1
D	-5	93099329	SCREW, SET, SOCKET HEAD, CUP POINT, 10-32 x 1/2	2	2	2	2	2
D	-6	93071245	SCREW, SET, SOCKET HEAD, CUP POINT, 6-32 x 3/16	6	6	6	6	6
D	-7	40023200	STOP, BRUSH POSITIONING	1	1	1	1	1
D	-8	10125608	WASHER, PLAIN, 1/4	1	1	1	1	1
D	-9	72962900	SHAFT, DISK CLEANER	1	1	1	1	1
D	-10	10127122	SCREW, MACHINE, PAN HEAD, PHILLIPS, 8-32 x 3/8	2	2	2	2	2
D	-11	10126402	WASHER, LOCK, EXTERNAL TOOTH, 8	2	2	2	2	2
D	-12	10125606	WASHER, PLAIN, 8	2	2	2	2	2
D	-13	92413000	CHANNEL, RUBBER	AR	AR	AR	AR	AR
D	-14	93848290	SCREW, SET, SOCKET HEAD, CUP POINT, 8-32 x 1/2	1	1	1	1	1
D	-15	40067800	STOP, BRUSH HOLDER	1	1	1	1	1
D	-16	10127314	SCREW, MACHINE, PAN HEAD, SLOTTED, 2-56 x 1/2	2	2	2	2	2
D	-17	10125602	WASHER, PLAIN, 2	2	2	2	2	2
D	-18	36159804	SWITCH, SPDT	1	1	1	1	1
	-19		NOT USED					
D	-20	40023000	BEARING, FLANGED	1	1	1	1	1
D	-21	94205791	SPRING, COMPRESSION	1	1	1	1	1
D	-22	93564002	WASHER, NYLON	1	1	1	1	1
D	-23	72957100	CAM, BRUSH LINK	1	1	1	1	1
D	-24	92373006	NYLINER, DOUBLE FLANGED, NYLON	1	1	1	1	1
D	-	72963000	LINKAGE ASSEMBLY	1	1	1	1	1
E	-25	10127113	SCREW, MACHINE, PAN HEAD, PHILLIPS, 6-32 x 3/8	2	2	2	2	2
E	-26	10125605	WASHER, PLAIN, 6	2	2	2	2	2
E	-27	41274005	BEARING, FLANGED	2	2	2	2	2
E	-28	72962800	LINK, BRUSH SHAFT	1	1	1	1	1
E	-29	40022700	LINK, BRUSH MOTOR	1	1	1	1	1
E	-30	40022900	LINK, INTERCONNECTING	1	1	1	1	1
D	-31	10127102	SCREW, MACHINE, PAN HEAD, PHILLIPS, 4-40 x 1/4	2	2	2	2	2
D	-32	40013502	MOTOR AND CONNECTOR ASSEMBLY, 60 HZ	1	-	1	1	-
D	-32	40013503	MOTOR AND CONNECTOR ASSEMBLY, 50 HZ	-	-	-	-	-
E	-	94296305	MOTOR, AC TIMING, 24 VAC, 60 HZ	1	-	1	1	-
E	-	94296306	MOTOR, AC TIMING, 24 VAC, 50 HZ	-	1	-	-	1
E	-	93948003	CONNECTOR, PLUG, 3 PIN	1	1	1	1	1
E	-	93942005	CONTACT, PIN, 22-18 WIRE RANGE	2	2	2	2	2
D	-33	40024500	BRUSH, DISK	10	10	10	10	10
D	-34	45083900	BASE, DISK CLEANER	1	1	1	1	1
C	-35	10127132	SCREW, MACHINE, PAN HEAD, PHILLIPS, 10-24 x 1/2	3	3	3	3	3
C	-36	10126105	WASHER, LOCK, INTERNAL TOOTH, 10	3	3	3	3	3
C	-37	10125607	WASHER, FLAT, 10	3	3	3	3	3



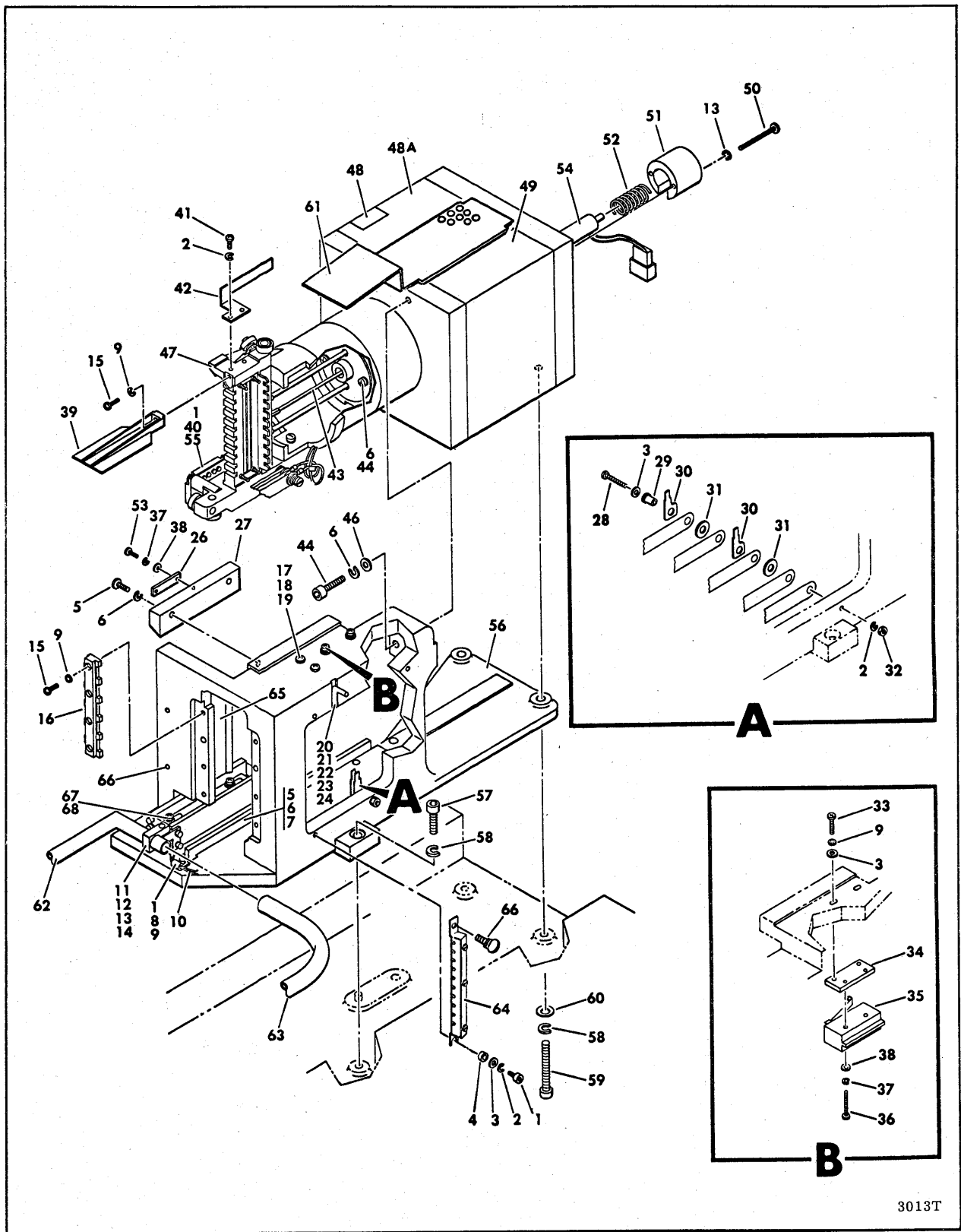
3012 K



ASSY LEVEL	INDEX NO.	EQUIPMENT PART NUMBER	ITEM DESCRIPTION	MOD. LEVEL				
				A	B	C	D	E
				NO. REQUIRED				
C	9-	73537500	RATCHET BRAKE ASSEMBLY	1	1	1	1	1
	-1		NOT USED					
D	-2	10126104	WASHER, LOCK, INTERNAL TOOTH, 8	7	7	7	7	7
D	-3	10125606	WASHER, PLAIN, 8	4	4	4	4	4
D	-	73529200	PACK-ON SWITCH ASSEMBLY	1	1	1	1	1
E	-4	10127311	SCREW, MACHINE, PAN HEAD, 2-56 x 1/4	1	1	1	1	1
E	-5	10126100	WASHER, LOCK, INTERNAL TOOTH, 2	1	1	1	1	1
E	-6	10125102	SCREW NUT, MACHINE, HEXAGON, 2-56	1	1	1	1	1
E	-7	73224700	BRACKET, SPRING	1	1	1	1	1
E	-8	73225300	SPRING, EXTENSION	1	1	1	1	1
E	-9	93707002	SCREW, SOCKET HEAD, 1/4-20 x 1/2	1	1	1	1	1
E	-10	73224800	ACTUATOR ARM	1	1	1	1	1
E	-11	10127335	SCREW, MACHINE, PAN HEAD, 6-32 x 1/2	1	1	1	1	1
E	-	10127334	SCREW, MACHINE, PAN HEAD, 6-32 x 3/8	1	1	1	1	1
E	-12	10125605	WASHER, PLAIN, 6	1	1	1	1	1
E	-13	10126103	WASHER, LOCK, INTERNAL TOOTH, 6	2	2	2	2	2
E	-14	10125105	SCREW NUT, MACHINE, HEXAGON, 6-32	2	2	2	2	2
E	-15	10127323	SCREW, MACHINE, PAN HEAD, 4-40 x 1/2	2	2	2	2	2
E	-16	10126101	WASHER, LOCK, INTERNAL TOOTH, 4	3	3	3	3	3
E	-17	10125607	WASHER, PLAIN, 10	1	1	1	1	1
E	-18	10126105	WASHER, LOCK, INTERNAL TOOTH, 10	1	1	1	1	1
E	-19	10125107	SCREW NUT, MACHINE, HEXAGON, 10-24	1	1	1	1	1
E	-20	93786012	SWITCH, MINIATURE	1	1	1	1	1
E	-21	73224500	BRACKET, ADJUSTING, SWITCH	1	1	1	1	1
E	-22	73529100	PLATE, MOUNTING	1	1	1	1	1
E	-23	10127101	SCREW, MACHINE, PAN HEAD, 4-40 x 3/16	3	3	3	3	3
E	-24	92707001	TERMINAL, INSULATED	3	3	3	3	3
E	-25	93947005	CONNECTOR, 2 PIN	1	1	1	1	1
E	-26	93943005	CONTACT, SOCKET	1	1	1	1	1
E	-26A	93943007	CONTACT, SOCKET	1	1	1	1	1
E	-27	92427024	CAPACITOR, 25V, 50 UF	1	1	1	1	1
E	-28	92512246	RESISTOR, 1/4W, 33 OHM	1	1	1	1	1
E	-29	93541007	RING, TERMINAL	1	1	1	1	1
D	-30	10127347	SCREW, MACHINE, PAN HEAD, 8-32 x 3/8	1	1	1	1	1
D	-31	73224900	BRACKET, MOUNTING, SWITCH	1	1	1	1	1
D	-32	93707004	SCREW, SOCKET HEAD, 1/4 x 3/4	1	1	1	1	1
D	-33	72804300	SPRING, EXTENSION	1	1	1	1	1
D	-34	73226900	PAWL, BRAKE	1	1	1	1	1
D	-35	10127332	SCREW, MACHINE, PAN HEAD, 6-32 x 1/4	2	2	2	2	2
D	-36	10126103	WASHER, LOCK, INTERNAL TOOTH, 6	4	4	4	4	4
D	-37	73227100	BRACKET, GUIDE	1	1	1	1	1
D	-38	92373003	NYLINER, SNAP-IN	1	1	1	1	1
D	-39	10127346	SCREW, MACHINE, PAN HEAD, 8-32 x 5/16	5	5	5	5	5
D	-40	10127333	SCREW, MACHINE, PAN HEAD, 6-32 x 5/16	1	1	1	1	1
D	-41	94281400	CABLE, GROUND	1	1	1	1	1
D	-42	10125605	WASHER, PLAIN, 6	3	3	3	3	3
D	-43	40054700	SPRING, STATIC, GROUND	1	1	1	1	1
D	-44	73225000	MOUNT, GROUND SPRING	1	1	1	1	1
D	-45	73537800	PLATE, PAWL MOUNTING	1	1	1	1	1
C	-46	10125723	SCREW, FLAT HEAD, 8-32 x 5/16	2	2	2	2	2
C	-47	10127348	SCREW, PAN HEAD, 8-32 x 1/2	1	1	1	1	1
C	-48	10126104	WASHER, LOCK, INTERNAL TOOTH, 8	1	1	1	1	1
C	-49	10125606	WASHER, PLAIN, 8	1	1	1	1	1



ASSY LEVEL	INDEX NO.	EQUIPMENT PART NUMBER	ITEM DESCRIPTION	MOD. LEVEL				
				A	B	C	D	E
				NO. REQUIRED				
C	10-	75003002	MOTOR AND BRAKE ASSEMBLY, 60 HZ	1	-	1	1	-
C	10-	75003007	MOTOR AND BRAKE ASSEMBLY, 50 HZ	1	-	-	-	1
D	-1	94363660	SCREW, SET, HEXAGON SOCKET HEAD, 1/4-20 x 3/8	3	3	3	3	3
D	-2	73622611	PULLEY, DRIVE MOTOR, 60 HZ	1	-	1	1	-
D	-2	73622608	PULLEY, DRIVE MOTOR, 50 HZ	-	1	-	-	1
D	-3	94311119	PULLEY, V-BELT	1	1	1	1	1
D	-4	94311003	BELT, SPECIAL	1	1	1	1	1
D	-5	94363662	SCREW, SET, HEXAGON SOCKET HEAD, 1/4-20 x 1/2	1	1	1	1	1
D	-6	94311117	PULLEY, V-BELT	1	1	1	1	1
D	-7	40093301	SLEEVE, MOTOR SHAFT	1	1	1	1	1
D	-8	10126528	SCREW, MACHINE, HEXAGON HEAD, PLAIN, 3/8-16 x 3/4	4	4	4	4	4
D	-8A	94363658	SCREW, SET, HEXAGON SOCKET HEAD, 1/4-20 x 1/4	1	1	1	1	1
D	-9	10125808	WASHER, LOCK, SPRING, 3/8	4	4	4	4	4
D	-10	10126506	SCREW, MACHINE, HEXAGON HEAD, PLAIN, 1/4-20 x 1-1/2	1	1	1	1	1
D	-11	40023600	POST, IDLER SPRING	1	1	1	1	1
D	-12	10125608	WASHER, FLAT, 1/4	1	1	1	1	1
D	-13	10125806	WASHER, LOCK, SPRING, 1/4	1	1	1	1	1
D	-14	10125301	NUT, HEXAGON, 1/4	1	1	1	1	1
D	-15	10127143	SCREW, MACHINE, PAN HEAD, PHILLIPS, 10-32 x 1/2	3	3	3	3	3
D	-16	10125805	WASHER, LOCK, SPRING, 10	3	3	3	3	3
D	-17	10125607	WASHER, FLAT, 10	3	3	3	3	3
D	-18	10127347	SCREW, MACHINE, PAN HEAD, SLOTTED, 8-32 x 3/8	3	3	3	3	3
D	-19	10126104	WASHER, LOCK, INTERNAL TOOTH, 8	3	3	3	3	3
D	-20	70740200	PLATE, MOUNTING	1	1	1	1	1
D	-21	94246101	BRAKE, HYSTERESIS	1	1	1	1	1
D	-22	93935000	RECTIFIER, SILICON	1	1	1	1	1
D	-23	10127101	SCREW, MACHINE, PAN HEAD, PHILLIPS, 4-40 x 3/16	2	2	2	2	2
D	-24	10126101	WASHER, LOCK, INTERNAL TOOTH, 4	2	2	2	2	2
D	-25	92707001	TERMINAL, INSULATED	2	2	2	2	2
D	-26	93948003	CONNECTOR, PIN HOUSING	1	1	1	1	1
D	-27	93942009	PIN, CONTACT	2	2	2	2	2
D	-28	92496227	CAPACITOR, 10,000 PF, 100V	1	1	1	1	1
D	-29	92512424	RESISTOR, 2W, 15 OHM	1	1	1	1	1
D	-30	73246900	PLATE, MOUNTING, MOTOR	1	1	1	1	1
D	-31	73184609	DRIVE MOTOR AND CABLE ASSEMBLY, 60 HZ	1	-	1	1	-
D	-31	73184611	DRIVE MOTOR AND CABLE ASSEMBLY, 50 HZ	-	1	-	-	1
E	-	10126103	WASHER, LOCK, INTERNAL TOOTH, 6	1	1	1	1	1
E	-	10126104	WASHER, LOCK, INTERNAL TOOTH, 8	2	2	2	2	2
E	-	92512416	RESISTOR, FIXED, WIREWOUND, 470K OHM, 1W	1	1	1	1	1
E	-	-	CABLE ASSEMBLY, W2 (SEE FIGURE 18)	1	1	1	1	1
E	-	94359900	MOTOR, ELECTRIC, END MOUNTED, 60 HZ	1	-	1	1	-
E	-	94359901	MOTOR, ELECTRIC, END MOUNTED, 50 HZ	-	1	-	-	1
C	-32	10126536	SCREW, MACHINE, HEXAGON HEAD, PLAIN, 3/8-16 x 2-1/2	3	3	3	3	3
C	-33	10125808	WASHER, LOCK, SPRING, 3/8	3	3	3	3	3
C	-34	10125610	WASHER, FLAT, 3/8	3	3	3	3	3
C	-35	46489200	SPACER, MOTOR MOUNT	3	3	3	3	3
C	-36	70738300	INSULATOR, MOTOR MOUNT	3	3	3	3	3
C	-37	70738301	INSULATOR, MOTOR MOUNT	3	3	3	3	3
C	-38	70739500	SPACER, MOUNT, MOTOR	3	3	3	3	3
C	-	94255102	CAPACITOR, MOTOR	1	1	1	1	1



3013T

ASSY LEVEL	INDEX NO.	EQUIPMENT PART NUMBER	ITEM DESCRIPTION	MOD. LEVEL				
				A	B	C	D	E
				NO. REQUIRED				
B	11-	73220301	ACTUATOR ASSEMBLY	1	1	1	1	1
B	11-	73220300	ACTUATOR ASSEMBLY	1	1	1	1	1
C	-1	10126218	SCREW, MACHINE, HEXAGON SOCKET HEAD, CAP, 6-32 x 3/8	4	4	4	4	4
C	-2	10125803	WASHER, LOCK, SPRING	4	4	4	4	4
C	-3	10125605	WASHER, FLAT, 6	4	4	4	4	4
C	-4	73220700	SPACER, BRACKET	1	1	1	1	1
C	-5	10127364	SCREW, MACHINE, PAN HEAD, SLOTTED, 10-24 x 1/2	5	5	5	5	5
C	-6	10125805	WASHER, LOCK, SPRING, 10	8	8	8	8	8
C	-7	73102300	RAIL LOWER	1	1	1	1	1
C	-8	92602001	CLAMP, CABLE, NYLON	2	2	2	2	2
C	-9	10126103	WASHER, LOCK, INTERNAL TOOTH, 6	13	13	13	13	13
C	-10		CABLE ASSEMBLY, W11 (SEE FIGURE 18)	1	1	1	1	1
C	-11	10127124	SCREW, MACHINE, PAN HEAD, PHILLIPS, 8-32 x 5/8	2	2	2	2	2
C	-12	10125606	WASHER, FLAT, 8	2	2	2	2	2
C	-13	10125804	WASHER, LOCK, SPRING, 8	4	4	4	4	4
C	-14	73543800	TRANSDUCER SCALE ASSEMBLY	1	1	1	1	1
D	-	73223000	MOUNT, FLEX, TRANSDUCER	2	2	2	2	2
D	-	73223300	MOUNT, TRANSDUCER	1	1	1	1	1
D	-	73222500	TRANSDUCER, POSITION, SCALE	1	1	1	1	1
D	-	10126212	SCREW, MACHINE, HEXAGON SOCKET HEAD, CAP, 4-40 x 1/4	10	10	10	10	10
D	-	73543600	CLAMP, TUBE, FRONT	1	1	1	1	1
D	-	10125801	WASHER, LOCK, SPRING, 4	2	2	2	2	2
D	-	10125603	WASHER, FLAT, 4	2	2	2	2	2
C	-15	10127114	SCREW, MACHINE, PAN HEAD, PHILLIPS, 6-32 x 1/2	9	9	9	9	9
C	-16	73120600	CORNER, HEAD	2	2	2	2	2
C	-17	10127125	SCREW, MACHINE, PAN HEAD, PHILLIPS, 6-32 x 5/16	2	2	2	2	2
C	-18	10126104	WASHER, LOCK, INTERNAL TOOTH, 6	2	2	2	2	2
C	-19	10125106	NUT, HEXAGON, 6-32	2	2	2	2	2
C	-20	73109700	PIN, HOLDING	1	1	1	1	1
C	-21	16923100	SPRING, COMPRESSION	1	1	1	1	1
C	-22	92033037	RETAINING, RING	1	1	1	1	1
C	-23	73109400	BRACKET, PIN, HOLDING	1	1	1	1	1
C	-24	92373003	NYLINER, SNAP-IN	2	2	2	2	2
C	-25	10127332	SCREW, MACHINE, PAN HEAD, SLOTTED, 6-32 x 1/4	1	1	1	1	1
C	-26	73242100	TRACK, INDICATOR, FIXED	1	1	1	1	1
C	-27	73102100	RAIL, UPPER	1	1	1	1	1
C	-28	10127340	SCREW, MACHINE, PAN HEAD, SLOTTED, 6-32 x 1-1/4	1	1	1	1	1
C	-29	70738900	SPACER	1	1	1	1	1
C	-30	70740500	BASE, TERMINAL	2	2	2	2	2
C	-31	93564002	WASHER, NYLON	2	2	2	2	2
C	-32	10125105	NUT, HEXAGON, 6-32	1	1	1	1	1
C	-33	10127113	SCREW, MACHINE, PAN HEAD, PHILLIPS, 6-32 x 3/8	2	2	2	2	2
C	-34	73103100	BRACKET, SWITCH	1	1	1	1	1
C	-35	94261301	SWITCH, ROLLER, LEVEL	1	1	1	1	1
C	-36	10127326	SCREW, MACHINE, PAN HEAD, SLOTTED, 4-40 x 7/8	2	2	2	2	2
C	-37	10125801	WASHER, LOCK, SPRING, 4	2	2	2	2	2
C	-38	10125603	WASHER, FLAT, 4	2	2	2	2	2
C	-39	73222700	SHIELD, HEAD	1	1	1	1	1
C	-40	73222600	SLIDER, TRANSDUCER-POSITIONER	1	1	1	1	1
C	-41	10125016	SCREW, MACHINE, PAN HEAD, PHILLIPS, 6-32 x 3/8	2	2	2	2	2
C	-42	73242000	TRACK, INDICATOR, MOVING	1	1	1	1	1
C	-43	70729305	ROD, EXTENSION	1	1	1	1	1
C	-44	10127133	SCREW, MACHINE, PAN HEAD, PHILLIPS, 10-24 x 5/8	2	2	2	2	2
C	-45	10126238	SCREW, MACHINE, HEXAGON SOCKET HEAD, CAP, 10-24 x 1	1	1	1	1	1
C	-46	10125607	WASHER, FLAT, 10	1	1	1	1	1
C	-47		CARRIAGE ASSEMBLY (SEE FIGURE 13)	1	1	1	1	1
C	-48	94224658	LABEL, INFORMATION	1	1	1	1	1
C	-48A	94208500	LABEL	1	1	1	1	1
C	-49		MAGNET ASSEMBLY (SEE FIGURE 12)	1	1	1	1	1
C	-50	10127354	SCREW, MACHINE, PAN HEAD, SLOTTED, 8-32 x 1/2	2	2	2	2	2
C	-51	70726001	CAP, END, TRANSDUCER	1	1	1	1	1
C	-52	94206431	SPRING, COMPRESSION	1	1	1	1	1
C	-53	10127104	SCREW, MACHINE, PAN HEAD, PHILLIPS, 4-40 x 3/8	2	2	2	2	2
C	-54	72824701	TRANSDUCER AND CONNECTOR ASSEMBLY	1	1	1	1	1
D	-	94262800	TRANSDUCER, VELOCITY	1	1	1	1	1
D	-	93948003	CONNECTOR, PIN, HOUSING	1	1	1	1	1
D	-	93942009	PIN, CONTACT	2	2	2	2	2
C	-55		CABLE ASSEMBLY, W12 (SEE FIGURE 18)	1	1	1	1	1
C	-56	73107200	HOUSING, ACTUATOR	1	1	1	1	1
B	-57	10126258	SCREW, MACHINE, HEXAGON SOCKET HEAD, CAP, 1/4-20 x 1	2	2	2	2	2
B	-58	10125806	WASHER, LOCK, SPRING, 1/4	5	5	5	5	5



ASSY LEVEL	INDEX NO.	EQUIPMENT PART NUMBER	ITEM DESCRIPTION	MOD. LEVEL				
				A	B	C	D	E
				NO. REQUIRED				
B	11-	10126262	ACTUATOR ASSEMBLY (CONT'D)					
B	-59	10126262	SCREW, MACHINE, HEXAGON SOCKET HEAD, CAP, 1/4-20 x 2	3	3	3	3	3
B	-60	10125608	WASHER, FLAT, 1/4	3	3	3	3	3
B	-61	46484000	COVER, MAGNET	1	1	1	1	1
B	-62	46489100	TUBE, AIR	1	1	1	1	1
B	-63	73223100	TUBE, AIR, RUBBER	1	1	1	1	1
B	-64	73537000	HEAD CABLE CLAMP ASSEMBLY (RIGHT)	1	1	1	1	1
C	-	10126212	SCREW, HEXAGON, SOCKET HEAD, CAP, 4-40 x 1/4	2	2	2	2	2
C	-	10126101	WASHER, LOCK, INTERNAL TOOTH, 4	5	5	5	5	5
C	-	73537300	CLAMP, CABLE	1	1	1	1	1
C	-	73221800	SPACER, CABLE	1	1	1	1	1
C	-	73536900	BRACKET, CABLE (RIGHT)	1	1	1	1	1
C	-	10127320	SCREW, MACHINE, PAN HEAD, SLOTTED, 4-40 x 1/4	3	3	3	3	3
B	-65	73537200	HEAD CABLE CLAMP ASSEMBLY (LEFT)	1	1	1	1	1
C	-	10126212	SCREW, HEXAGON, SOCKET HEAD, CAP, 4-40 x 1/4	2	2	2	2	2
C	-	10126101	WASHER, LOCK, INTERNAL TOOTH, 4	5	5	5	5	5
C	-	73537300	CLAMP, CABLE	1	1	1	1	1
C	-	73221800	SPACER, CABLE	1	1	1	1	1
C	-	73537100	BRACKET, CABLE (LEFT)	1	1	1	1	1
C	-	10127320	SCREW, MACHINE, PAN HEAD, SLOTTED, 4-40 x 1/4	3	3	3	3	3
B	-66	94000000	SCREW, THUMB	3	3	3	3	3
B	-67	10126214	SCREW, MACHINE, SOCKET HEAD, 4-40 x 1/2	1	1	1	1	1
B	-68	10125801	WASHER, LOCK, SPRING, 4	1	1	1	1	1
B	-	94241012	CLIP, CABLE, TYPE IV	1	1	1	1	1
B	-	94241016	CLIP, CABLE, TYPE VI	1	1	1	1	1

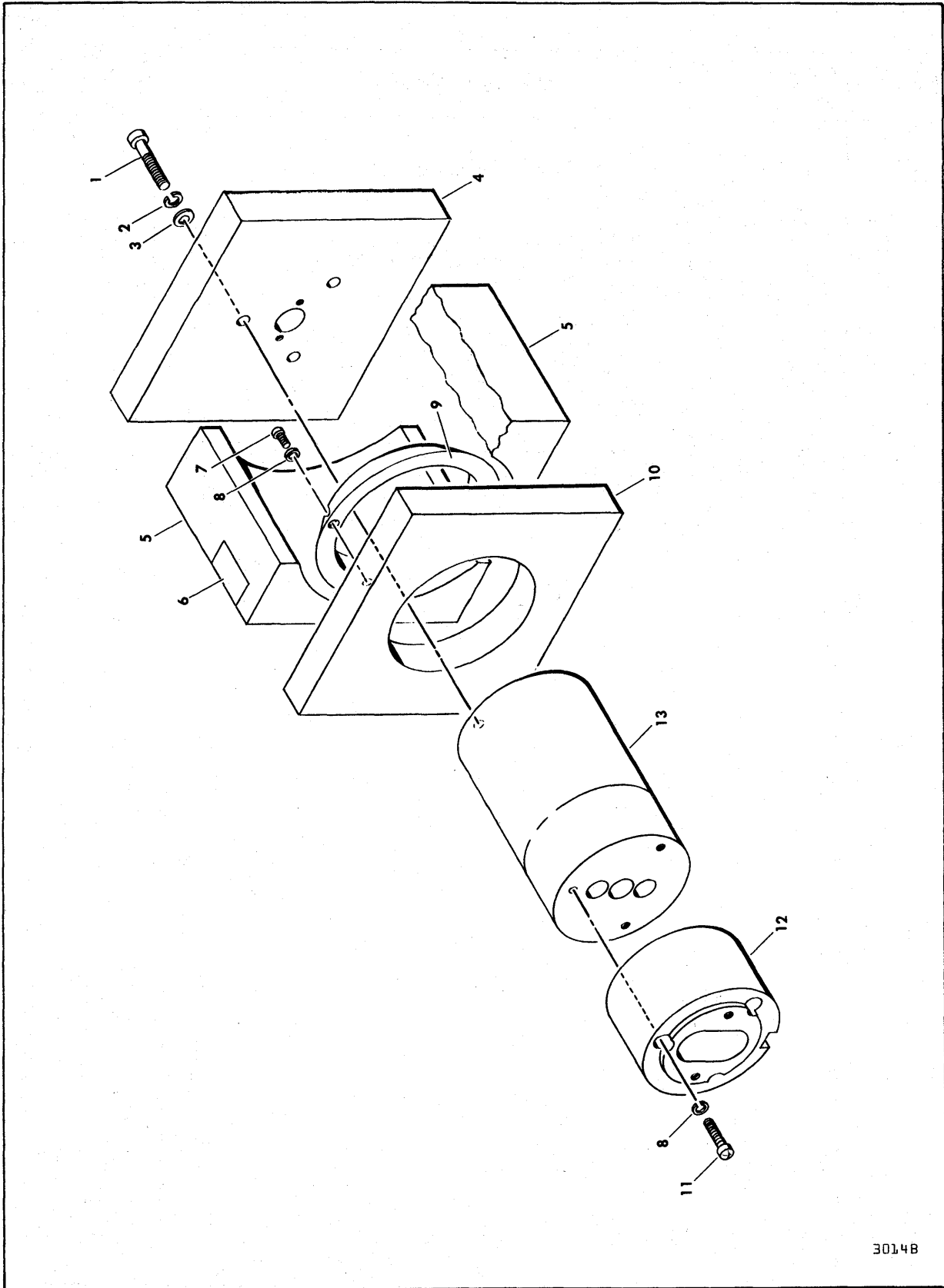


FIGURE 12. MAGNET ASSEMBLY

3014B



ASSY LEVEL	INDEX NO.	EQUIPMENT PART NUMBER	ITEM DESCRIPTION	MOD. LEVEL				
				A	B	C	D	E
				NO. REQUIRED				
C	12-	73104300	MAGNET ASSEMBLY	1	1	1	1	1
D	-1	10126260	SCREW, MACHINE, HEXAGON SOCKET HEAD, CAP, 1/4-20x 1-1/2	3	3	3	3	3
D	-2	10125806	WASHER, LOCK, SPRING, 1/4	3	3	3	3	3
D	-3	10125608	WASHER, FLAT, 1/4	3	3	3	3	3
D	-4	46496000	POLE, REAR	1	1	1	1	1
D	-5	70725800	MAGNET	2	2	2	2	2
D	-6	24547509	LABEL, WARNING, MAGNETIC FIELD	1	1	1	1	1
D	-7	10126233	SCREW, MACHINE, HEXAGON SOCKET HEAD, CAP, 10-24 x 3/8	2	2	2	2	2
D	-8	10125805	WASHER, LOCK, SPRING, 10	2	2	2	2	2
D	-9	73101400	EXTENSION, POLE	1	1	1	1	1
D	-10	46496100	POLE, FRONT	1	1	1	1	1
D	-11	10127136	SCREW, MACHINE, PAN HEAD, PHILLIPS, 10-24 x 1	3	3	3	3	3
D	-12	70727901	MOUNT, STOP	1	1	1	1	1
D	-13	70727701	CORE, MAGNETIC	1	1	1	1	1

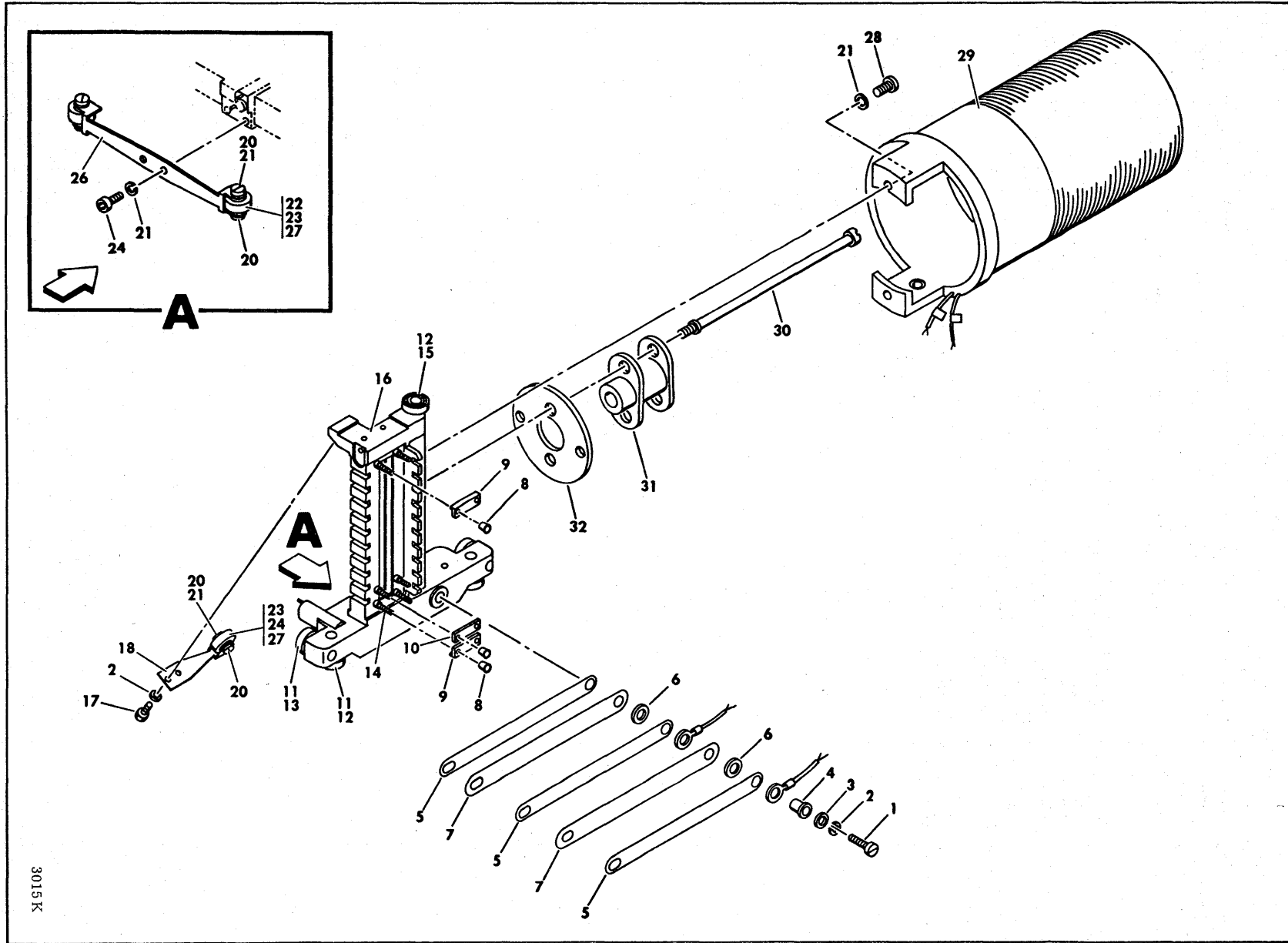
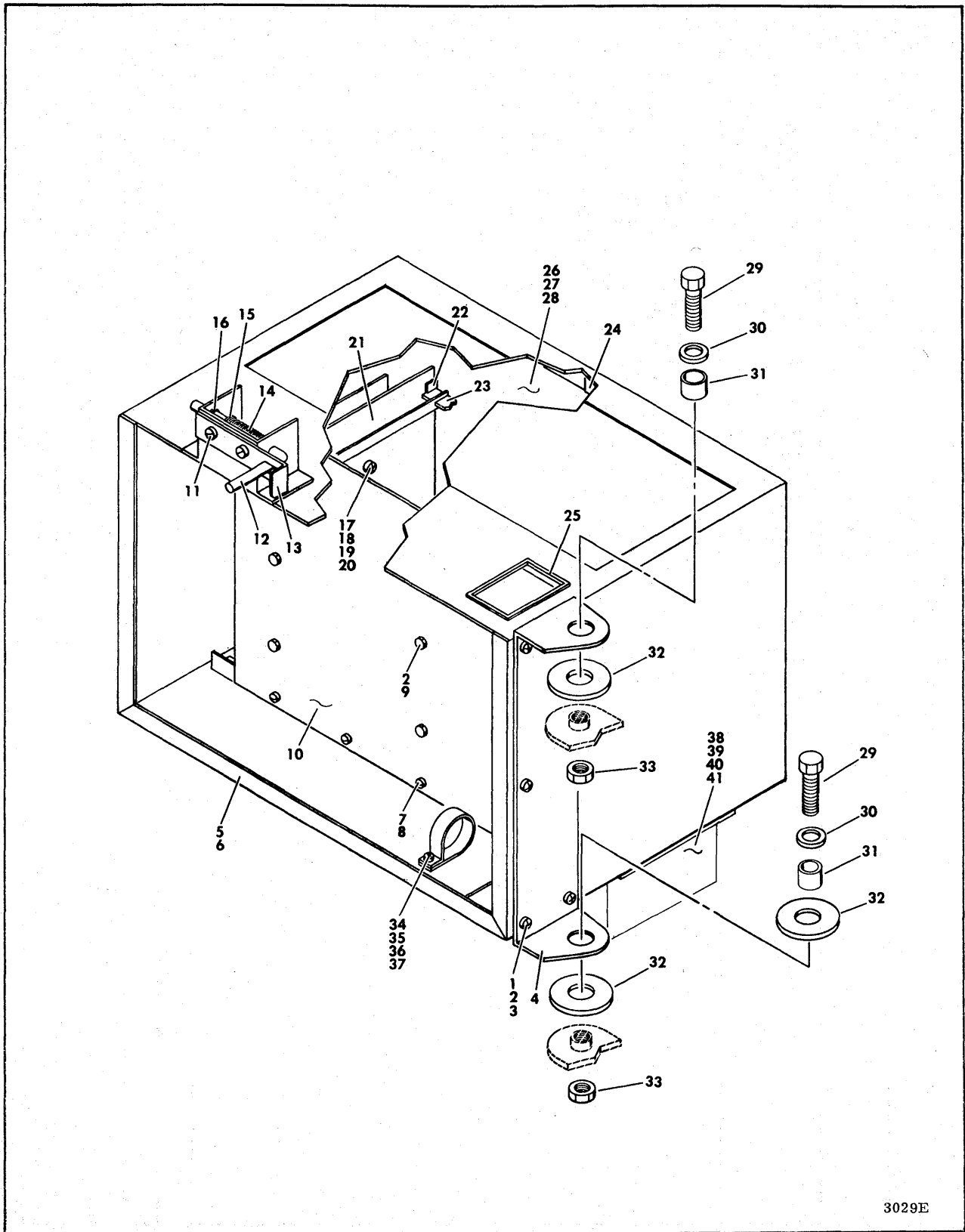


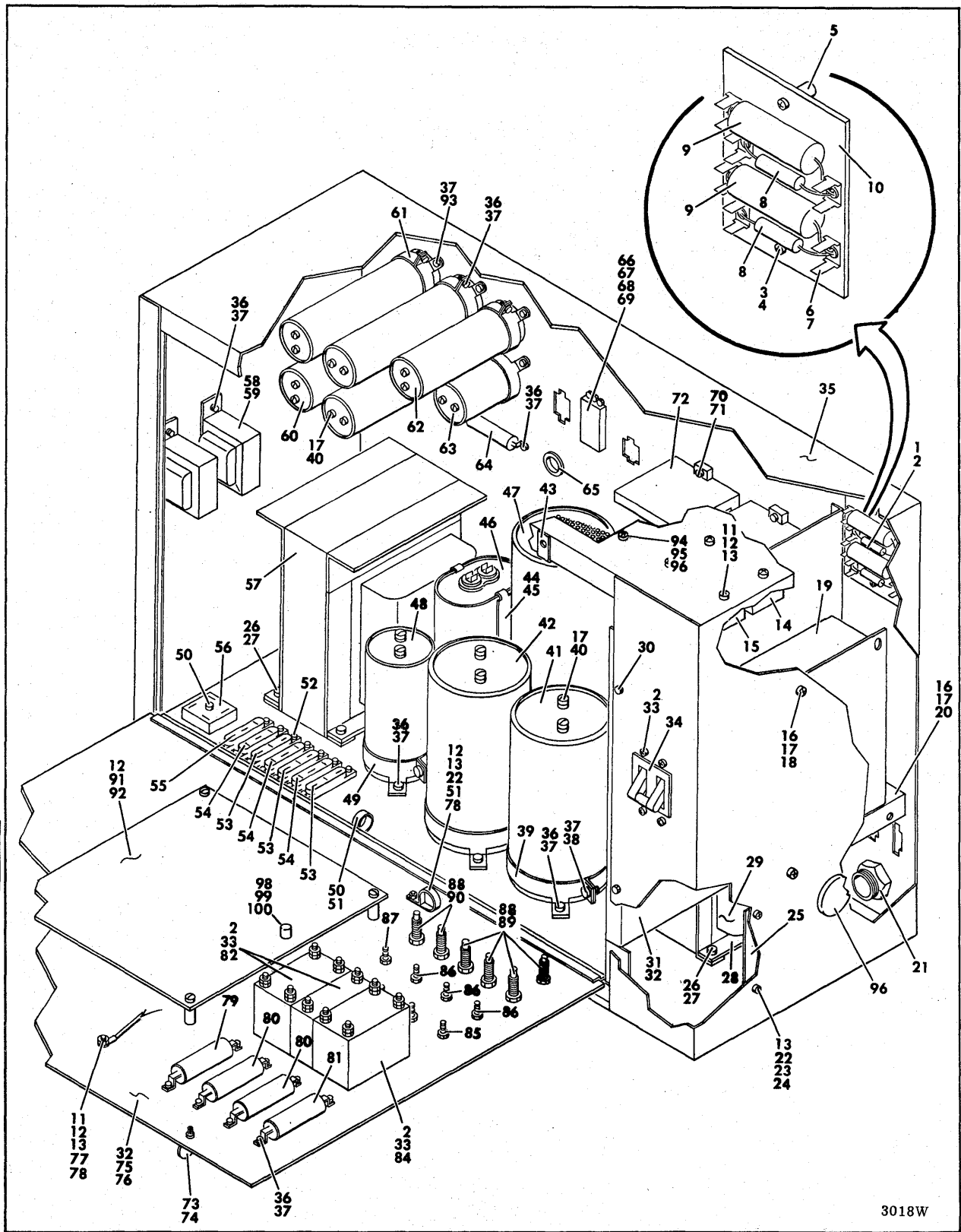
FIGURE 13. CARRIAGE ASSEMBLY

ASSY LEVEL	INDEX NO.	EQUIPMENT PART NUMBER	ITEM DESCRIPTION	MOD. LEVEL				
				A	B	C	D	E
				NO. REQUIRED				
C	13-	73220400	CARRIAGE ASSEMBLY	1	1	1	1	1
D	-1	10127336	SCREW, MACHINE, PAN HEAD, SLOTTED, 6-32 x 5/8	1	1	1	1	1
D	-2	10125803	WASHER, LOCK, SPRING, 6	3	3	3	3	3
D	-3	10125605	WASHER, FLAT, 6	1	1	1	1	1
D	-4	70738900	SPACER	1	1	1	1	1
D	-5	70738802	LEAD, FLEXIBLE	3	3	3	3	3
D	-6	93564002	WASHER, FLAT, NYLON, 6	2	2	2	2	2
D	-7	70739002	INSULATOR, LEAD	2	2	2	2	2
D	-8	93290002	NUT, INTERNAL WRENCHING	44	44	44	44	44
D	-9	73224200	CLAMP, FIXED ARM	4	4	4	4	4
D	-10	73224300	CLAMP, FIXED ARM	18	18	18	18	18
D	-	73220600	CARRIAGE AND BEARING ASSEMBLY	1	1	1	1	1
E	-11	92021039	PIN, DOWEL	4	4	4	4	4
E	-12	92054069	BEARING, BALL	3	3	3	3	3
E	-13	94292602	BEARING, BALL	2	2	2	2	2
E	-14	45481603	STUD, DOUBLE THREADED	22	22	22	22	22
E	-15	92021063	PIN, DOWEL	1	1	1	1	1
E	-16	73107400	CARRIAGE, MACHINING	1	1	1	1	1
D	-17	10125016	SCREW, MACHINE, HEXAGON HEAD, 6-32 x 3/8	2	2	2	2	2
D	-18	73224000	SPRING, BEARING, UPPER	1	1	1	1	1
D	-19		NOT USED					
D	-20	10127344	SCREW, MACHINE, PAN HEAD, SLOTTED, 8-32 x 3/16	6	6	6	6	6
D	-21	10125804	WASHER, LOCK, SPRING, 8	6	6	6	6	6
D	-22	73101900	PIN, BEARING	1	1	1	1	1
D	-23	73102000	SPACER, BEARING	6	6	6	6	6
D	-24	10127345	SCREW, MACHINE, PAN HEAD, SLOTTED, 8-32 x 1/4	2	2	2	2	2
D	-25	73101901	PIN, BEARING	2	2	2	2	2
D	-26	73102800	SPRING, BEARING, LOWER	1	1	1	1	1
D	-27	92054069	BEARING, BALL	3	3	3	3	3
D	-28	10126226	SCREW, MACHINE, HEXAGON SOCKET HEAD, CAP, 8-32 x 1/2	3	3	3	3	3
D	-29	73104501	COIL ASSEMBLY	1	1	1	1	1
D	-30	70728901	ROD, STOP	2	2	2	2	2
D	-31	72981700	STOP	1	1	1	1	1
D	-32	70725900	PLATE, STOP	1	1	1	1	1
B	-	70599900	HEAD ARM ASSEMBLY, POSITIONS 02,06,10,14,18	5	5	5	5	5
B	-	70599901	HEAD ARM ASSEMBLY, POSITIONS 01,05,09,13,17	5	5	5	5	5
B	-	70599902	HEAD ARM ASSEMBLY, POSITIONS 00,04,08,12,16	5	5	5	5	5
B	-	70599903	HEAD ARM ASSEMBLY, POSITIONS 03,07,11,15,19	5	5	5	5	5



3029E

ASSY LEVEL	INDEX NO.	EQUIPMENT PART NUMBER	ITEM DESCRIPTION	MOD. LEVEL				
				A	B	C	D	E
				NO. REQUIRED				
B	14-	75189200	LOGIC FRAME ASSEMBLY	1	1	1	1	1
C	-1	10127122	SCREW, MACHINE, PAN HEAD, PHILLIPS, 8-32 x 3/8	5	5	5	5	5
C	-2	10126402	WASHER, LOCK, EXTERNAL TOOTH, 8	14	14	14	14	14
C	-3	10125106	NUT, HEXAGON, 8-32	5	5	5	5	5
C	-4	75186400	HINGE, LOGIC CHASSIS	1	1	1	1	1
C	-5	75177100	FRAME, LOGIC CARD	1	1	1	1	1
C	-6	94208500	LABEL, INFORMATION	1	1	1	1	1
C	-7	95655516	SCREW, SHEETMETAL, 6-20 x 3/8	10	10	10	10	10
C	-8	95634802	NUT, SPEED, 6-20	10	10	10	10	10
C	-9	93592200	SCREW, MACHINE, HEXAGON HEAD, SELF TAPPING, 8-32 x 3/8	9	9	9	9	9
C	-10	75189400	WIRE WRAP ASSEMBLY	1	1	1	1	1
C	-11	93592158	SCREW, MACHINE, HEXAGON WASHER HEAD, SELF TAPPING, 6-32 x 1/4	2	2	2	2	2
C	-12	40032300	LATCH	1	1	1	1	1
C	-13	70741700	GUIDE, LATCH	1	1	1	1	1
C	-14	45229900	SPRING, COMPRESSION	1	1	1	1	1
C	-15	92033038	RING, RETAINING	1	1	1	1	1
C	-16	92373005	NYLINER, SNAP-IN	2	2	2	2	2
C	-17	10127111	SCREW, MACHINE, PAN HEAD, PHILLIPS, 6-32 x 1/4	4	4	4	4	4
C	-18	10126401	WASHER, LOCK, EXTERNAL TOOTH, 6	2	2	2	2	2
C	-19	10125803	WASHER, LOCK, SPRING, 6	2	2	2	2	2
C	-20	93114269	STAND OFF, TAPPED POST	2	2	2	2	2
C	-21	77388200	PANEL, PERPENDICULAR, 3 POSITION	3	3	3	3	3
C	-22	94309003	CLIP, U TYPE	6	6	6	6	6
C	-23	46490201	GUIDE, RAIL	2	2	2	2	2
C	-24	94317800	RECEPTACLE, CLIP ON	1	1	1	1	1
C	-25	94060002	CHANNEL, RUBBER	AR	AR	AR	AR	AR
B	-26	94317700	FASTENER, WING TYPE	1	1	1	1	1
B	-27	94317900	RETAINER, SPLIT RING	1	1	1	1	1
B	-28	75177200	COVER, LOGIC FRAME	1	1	1	1	1
B	-29	10126530	SCREW, MACHINE, HEXAGON HEAD, CAP, 3/8-16 x 1	2	2	2	2	2
B	-30	10125610	WASHER, FLAT, 3/8	2	2	2	2	2
B	-31	70742900	BEARING	2	2	2	2	2
B	-32	45718500	SPACER	3	3	3	3	3
B	-33	93006033	NUT, HEXAGON, JAM, 3/8-16	2	2	2	2	2
B	-34	10127123	SCREW, MACHINE, PAN HEAD, PHILLIPS, 8-32 x 1/2	1	1	1	1	1
B	-35	10126402	WASHER, LOCK, EXTERNAL TOOTH, 8	1	1	1	1	1
B	-36	10125106	NUT, HEXAGON, 8-32	1	1	1	1	1
B	-37	92602014	CLAMP, CABLE, NYLON	1	1	1	1	1
B	-38	10127113	SCREW, MACHINE, PAN HEAD, PHILLIPS, 6-32 x 3/8	6	6	6	6	6
B	-39	10126401	WASHER, LOCK, EXTERNAL TOOTH, 6	6	6	6	6	6
B	-40	94277401	STRAP, CABLE TIE	1	1	1	1	1
B	-41	75185300	PLENUM, AIR, LOGIC	1	1	1	1	1



ASSY LEVEL	INDEX NO.	EQUIPMENT PART NUMBER	ITEM DESCRIPTION	MOD. LEVEL				
				A	B	C	D	E
				NO. REQUIRED				
B	15-	75176008	POWER SUPPLY ASSEMBLY, 60 HZ	1	-	1	-	-
B	15-	75176009	POWER SUPPLY ASSEMBLY, 50 HZ	-	1	-	-	-
B	15-	75176010	POWER SUPPLY ASSEMBLY, 60 HZ	-	-	-	1	-
B	15-	75176011	POWER SUPPLY ASSEMBLY, 50 HZ	-	-	-	-	1
C	-1	10127112	SCREW, MACHINE, PAN HEAD, PHILLIPS, 6-32 x 5/16	2	2	2	2	2
C	-2	10126103	WASHER, LOCK, INTERNAL TOOTH, 6	16	20	16	16	20
C	-	75186800	SUPPRESSION BOARD ASSEMBLY	1	1	1	1	1
D	-3	10127112	SCREW, MACHINE, PAN HEAD, PHILLIPS, 6-32 x 5/16	2	2	2	2	2
D	-4	10126401	WASHER, LOCK, EXTERNAL TOOTH, 6	2	2	2	2	2
D	-5	93114214	STANDOFF, TAPPED POST	2	2	2	2	2
D	-6	94274116	TERMINAL, QUICK CONNECT	6	6	6	6	6
D	-7	93903918	EYELET, ROLLED, FLANGE	6	6	6	6	6
D	-8	92512434	RESISTOR, FIXED, 2W, 100 OHM	2	2	2	2	2
D	-9	92496245	CAPACITOR, NON-ELECTROLYTIC, 100V, 0.22 UF	2	2	2	2	2
D	-10	75186700	BOARD, SUPPRESSION	1	1	1	1	1
C	-11	10127123	SCREW, MACHINE, PAN HEAD, PHILLIPS, 8-32 x 1/2	10	10	10	10	10
C	-12	10126402	WASHER, LOCK, EXTERNAL TOOTH, 8	15	15	15	15	15
C	-13	10125106	NUT, HEXAGON, 8-32	13	13	13	13	13
C	-14	94304405	SWITCH, SOLID STATE, AC, 15 AMP	3	3	3	3	3
C	-15	94304404	SWITCH, SOLID STATE, AC, 4 AMP	1	1	1	1	1
C	-16	10127131	SCREW, MACHINE, PAN HEAD, PHILLIPS, 10-24 x 3/8	8	8	8	8	8
C	-17	10126105	WASHER, LOCK, INTERNAL TOOTH, 10	28	28	28	28	28
C	-18	10125017	NUT, HEXAGON, 10-24	4	4	4	4	4
C	-19	94246000	FILTER, RFI	1	1	1	1	1
C	-	10125607	WASHER, FLAT, 10	2	2	2	2	2
C	-20	70728800	BRACKET, FILTER	1	1	1	1	1
C	-21	92801002	CLAMP, CABLE	1	1	1	1	1
C	-22	10127124	SCREW, MACHINE, PAN HEAD, PHILLIPS, 8-32 x 5/8	3	3	3	3	3
C	-23	10125804	WASHER, LOCK, SPRING, 8	2	2	2	2	2
C	-24	94272330	BLOCK, TERMINAL, SINGLE SCREW	1	1	1	1	1
C	-25	94274435	MARKER, STRIP	1	1	1	1	1
C	-26	95655557	SCREW, SHEETMETAL, 1/4-14 x 5/8	4	4	4	4	4
C	-27	95634808	NUT, SPEED, 1/4-14	4	4	4	4	4
C	-28	75189500	CLAMP, TRANSFORMER	4	4	4	4	4
C	-29	47261700	TRANSFORMER, FERRO, 60 HZ	1	-	1	1	-
C	-29	47274400	TRANSFORMER, FERRO, 50 HZ	-	1	-	-	1
C	-30	93592158	SCREW, MACHINE, HEXAGON WASHER HEAD, SELF TAPPING, 6-32 x 1/4	2	2	2	2	2
C	-31	75175600	COVER, FILTER	1	1	1	1	1
C	-32	24547504	PLATE, WARNING	2	2	2	2	2
C	-33	10127111	SCREW, MACHINE, PAN HEAD, PHILLIPS, 6-32 x 1/4	14	14	14	14	14
C	-34	94245207	CIRCUIT BREAKER, LONG DELAY	1	1	1	1	1
C	-35	75174900	CABINET, POWER SUPPLY, 60 HZ	1	-	1	-	-
C	-35	76509400	CABINET, POWER SUPPLY, 50 HZ	-	1	-	-	-
C	-35	77814500	CABINET, POWER SUPPLY	-	-	-	1	1
C	-36	95655516	SCREW, SHEETMETAL, 6-20 x 3/8	34	34	34	34	34
C	-37	95634801	NUT, SPEED, 6-20	44	44	44	44	44
C	-38	10127114	SCREW, MACHINE, PAN HEAD, PHILLIPS, 6-32 x 1/2	4	4	4	4	4
C	-39	92691013	CLAMP, MOUNTING, CAPACITOR	3	3	3	3	3
C	-40	10127378	SCREW, MACHINE, PAN HEAD, SLOTTED, 10-32 x 5/16	20	20	20	20	20
C	-41	95578100	CAPACITOR, ELECTROLYTIC, 50 VDC	1	1	1	1	1
C	-42	95578105	CAPACITOR, ELECTROLYTIC, 50 VDC	1	1	1	1	1
C	-43	94317800	RECEPTACLE, CLIP ON	2	2	2	2	2
C	-44	17901518	SCREW, MACHINE, THREAD ROLL, PHILLIPS, 8-32 x 5/8	4	4	4	4	4
C	-45	95641703	CLAMP, HOLD DOWN, CAPACITOR	4	4	4	4	4
C	-46	95642102	CAPACITOR, 370 VAC	2	2	2	2	2
C	-47	95578103	CAPACITOR, ELECTROLYTIC, 50 VDC	1	1	1	1	1
C	-48	95661307	CAPACITOR, 15 VDC	1	1	1	1	1
C	-49	92691009	CLAMP, MOUNTING, CAPACITOR	1	1	1	1	1
C	-50	93592164	SCREW, MACHINE, HEXAGON WASHER HEAD, SELF TAPPING, 6-32 x 1/2	2	2	2	2	2
C	-51	94277406	STRAP, CABLE TIE	2	2	2	2	2
C	-52	17901509	SCREW, MACHINE, THREAD ROLL, PHILLIPS, 6-32 x 3/8	15	15	15	15	15
C	-53	95583505	BLOCK, RECTIFIER	3	3	3	3	3
C	-54	95583504	BLOCK, RECTIFIER	3	3	3	3	3
C	-55	95583503	BLOCK, RECTIFIER	1	1	1	1	1
C	-56	95582001	BRIDGE, RECTIFIER	1	1	1	1	1
C	-57	73523700	TRANSFORMER, FERRO, 60 HZ	1	-	1	1	-
C	-57	73523600	TRANSFORMER, FERRO, 50 HZ	-	1	-	-	1
C	-58	47061900	INDUCTOR ASSEMBLY	2	2	2	2	2
C	-59	93541023	TERMINAL, RING, TONGUE	4	4	4	4	4
C	-60	95642414	CAPACITOR, ELECTROLYTIC	4	4	4	4	4

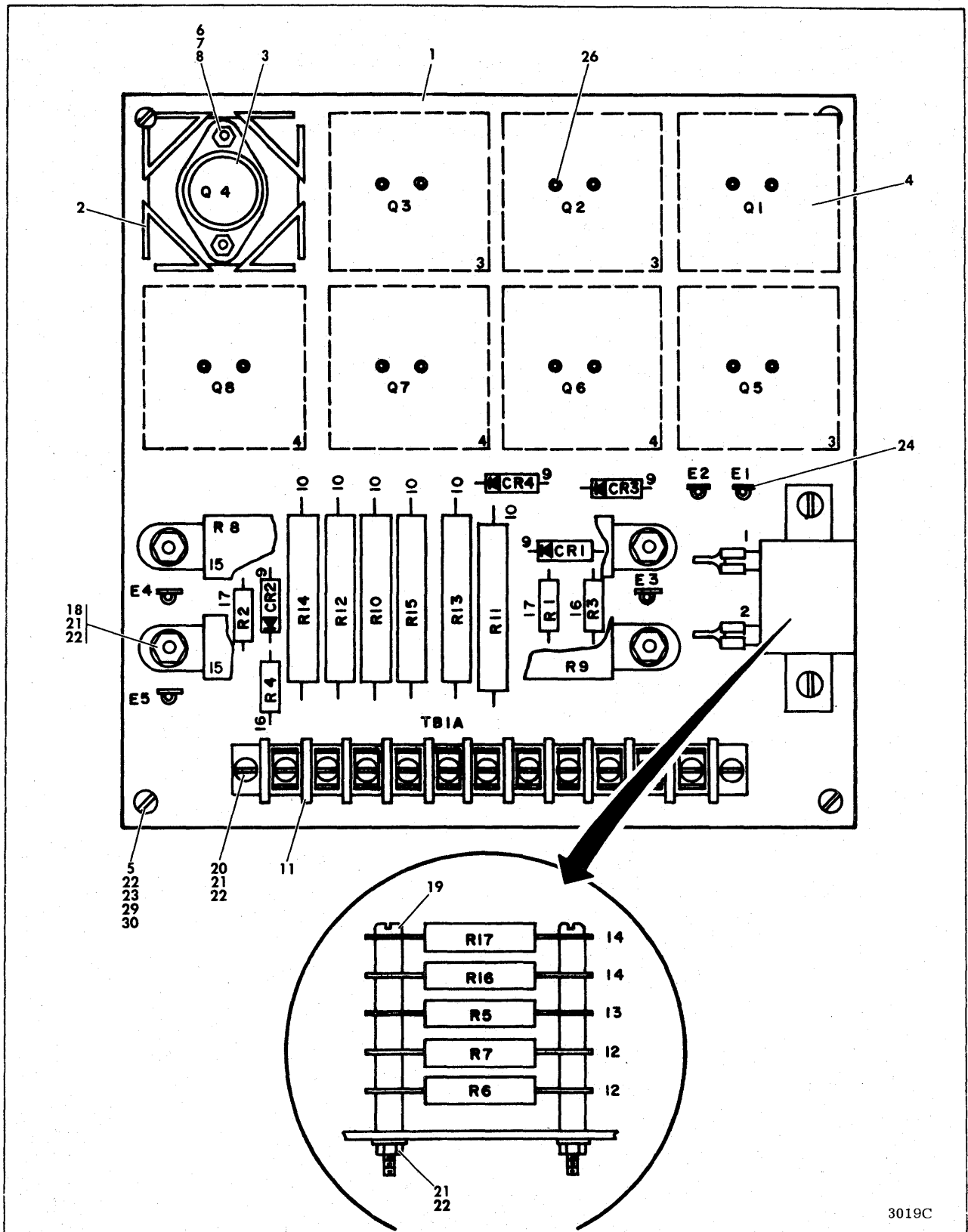




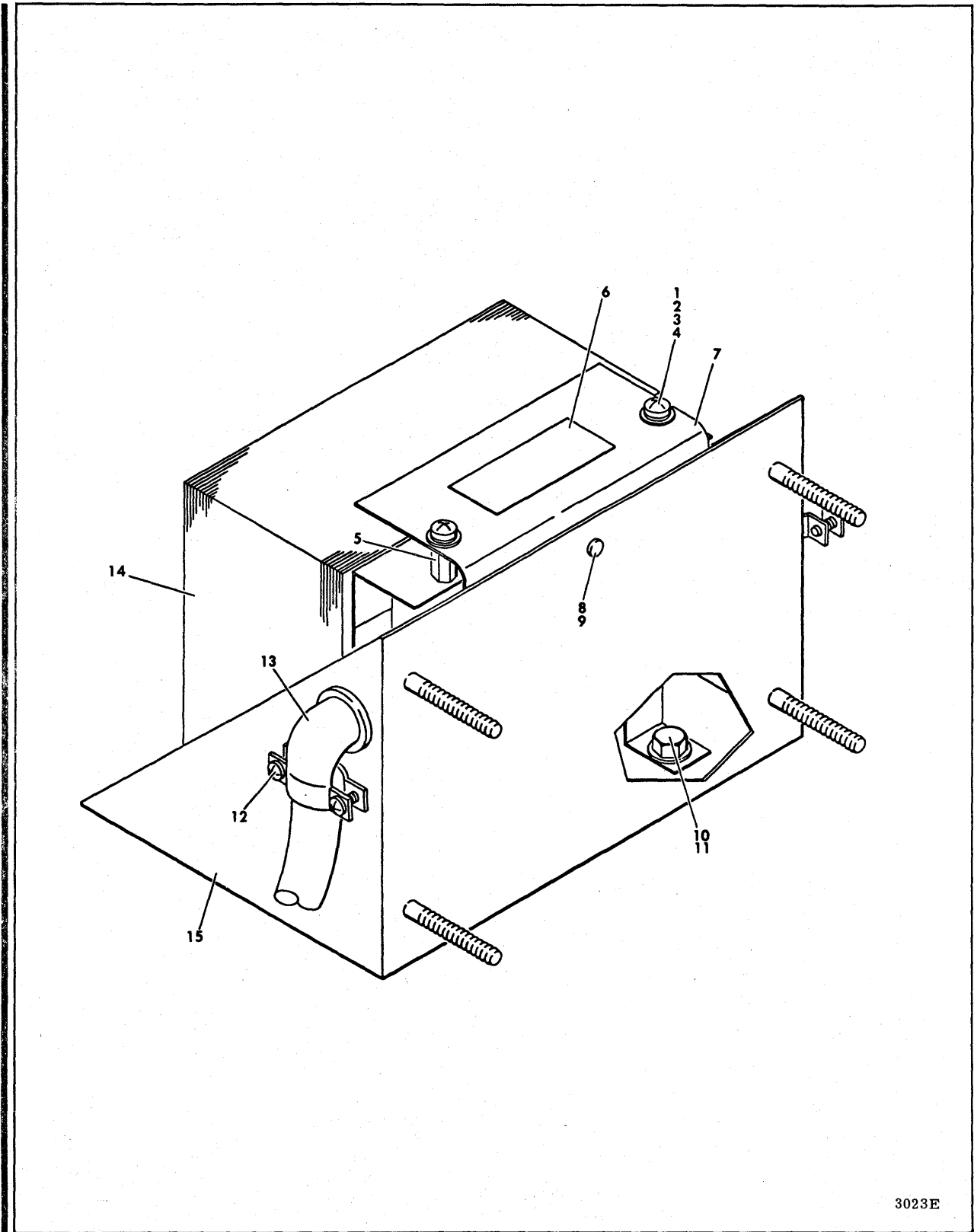
ASSY LEVEL	INDEX NO.	EQUIPMENT PART NUMBER	ITEM DESCRIPTION	MOD. LEVEL				
				A	B	C	D	E
				NO. REQUIRED				
B	15-		POWER SUPPLY ASSEMBLY (CONT'D)					
C	-61	92691003	CLAMP, MOUNTING, CAPACITOR	6	6	6	6	6
C	-62	95661308	CAPACITOR, 15 VDC	1	1	1	1	1
C	-63	92632017	CAPACITOR, ELECTROLYTIC	1	1	1	1	1
C	-64	95659804	RESISTOR, FIXED, WIREWOUND, 10W, 15 OHM	1	1	1	1	1
C	-65	15012410	BUSHING, SNAP-IN	1	1	1	1	1
C	-66	93643007	JACKSCREW, FEMALE	2	2	2	2	2
C	-67	93643018	GUIDE, SOCKET, CONNECTOR, CORNER	2	2	2	2	2
C	-68	93643017	PIN, GUIDE, CONNECTOR, CORNER	2	2	2	2	2
C	-69	75187203	HARNESS ASSEMBLY, 60 HZ	1	-	1	-	-
C	-69	75187204	HARNESS ASSEMBLY, 50 HZ	-	1	-	-	-
C	-69	75187205	HARNESS ASSEMBLY, 60 HZ	-	-	-	1	-
C	-69	75187206	HARNESS ASSEMBLY, 50 HZ	-	-	-	-	1
D	-	93643015	CONNECTOR, 34 PIN	1	1	1	1	1
D	-	93947000	HOUSING, SOCKET, CONNECTOR	1	1	1	1	1
D	-	93947001	HOUSING, SOCKET CONNECTOR	2	2	2	2	2
D	-	93947003	HOUSING, SOCKET, CONNECTOR	1	1	1	1	1
D	-	93943000	CONTACT, SOCKET	7	7	7	7	7
D	-	93943001	CONTACT, SOCKET	6	6	6	6	6
D	-	93943003	CONTACT, SOCKET	10	10	10	10	10
D	-	93645002	CONTACT, SOCKET	19	19	19	19	19
D	-	77432400	W6 CABLE ASSEMBLY (SEE FIGURE 18)	-	-	-	1	1
C	-70	95655521	SCREW, SHEETMETAL, 6-20 x 1	6	6	6	6	6
C	-71	95634813	NUT, SPEED, 6-20	6	6	6	6	6
C	-72	75192300	RELAY ASSEMBLY	2	2	2	2	2
D	-	92643005	RELAY, POWER	1	1	1	1	1
D	-	92115037	DIODE, SILICON, ZENER	1	1	1	1	1
C	-73	94317900	RETAINER, SPLIT RING	2	2	2	2	2
C	-74	94317700	FASTENER, WING TYPE	2	2	2	2	2
C	-75	76509000	PANEL, FRONT	1	1	1	1	1
C	-76	94208500	LABEL, INFORMATION	1	1	1	1	1
C	-77	73203103	CABLE ASSEMBLY	1	1	1	1	1
D	-	93839003	CABLE	1	1	1	1	1
D	-	00867102	SLEEVE, CABLE	2	2	2	2	2
C	-78	10125606	WASHER, FLAT, 8	3	3	3	3	3
C	-79	95659708	RESISTOR, FIXED, WIRE WOUND, 25W	1	1	1	1	1
C	-80	95659706	RESISTOR, FIXED, WIRE WOUND, 25W	2	2	2	2	2
C	-81	95659702	RESISTOR, FIXED, WIRE WOUND, 25W	1	1	1	1	1
C	-82	92696037	CIRCUIT BREAKER, 0.5 AMP, 50 VDC	1	1	1	1	1
C	-83	94268301	CIRCUIT BREAKER	1	1	1	1	1
C	-84	94268308	CIRCUIT BREAKER	1	1	1	1	1
C	-85	95644000	JACK, BANANA, NYLON, RED	4	4	4	4	4
C	-86	95644003	JACK, BANANA, NYLON, BLUE	3	3	3	3	3
C	-87	95644001	JACK, BANANA, NYLON, BLACK	1	1	1	1	1
C	-88	94310102	POST, EXTRACTOR, FUXE	6	6	6	6	6
C	-89	93418122	FUSE, 1/4 x 1/4	4	4	4	4	4
C	-90	93418333	FUSE, 250V	2	2	2	2	2
C	-91	10127121	SCREW, MACHINE, PAN HEAD, PHILLIPS, 8-32 x 5/16	4	4	4	4	4
C	-92		POWER AMPLIFIER CIRCUIT ASSEMBLY (SEE FIGURE 16)	1	1	1	1	1
C	-93	95655517	SCREW, SHEETMETAL, 6-20 x 1/2	6	6	6	6	6
C	-94	76435200	COMPONENT ASSEMBLY, 3ZSN TIME SWITCH, 50 HZ (1)	-	1	-	-	1
C	-94	76435201	COMPONENT ASSEMBLY, 3ZSN TIME SWITCH, 50 HZ (2)	-	1	-	-	1
C	-95	93114214	STANDOFF, TAPPED POST	-	2	-	-	2
C	-96	10127332	SCREW, PAN HEAD, MACHINE, 6-32 x 1/4	-	4	-	-	4
D	-	76435100	BOARD, PRINTED CIRCUIT	-	1	-	-	1
D	-	15112100	TIMER, INTEGRATED CIRCUIT	-	1	-	-	1
D	-	50210610	TRANSISTOR, PNP, SILICON, 25V	-	1	-	-	1
D	-	17706766	CAPACITOR, FIXED, 10 UF	-	1	-	-	1
D	-	92512255	RESISTOR, FIXED, 1/4W, 1.5K OHM	-	1	-	-	1
D	-	92512615	RESISTOR, FIXED, 1/4W, 560K OHM	-	1	-	-	1
D	-	92512165	RESISTOR, FIXED, 1/4W, 22K OHM	-	1	-	-	1
D	-	92512170	RESISTOR, FIXED, 1/4W, 10K OHM	-	1	-	-	1
D	-	92115023	DIODE, SILICON, 75V, 150 MA	-	3	-	-	3
C	-97	93522009	PLUG, SNAPBUTTON	-	-	-	1	1
C	-98	94130000	RECEPTACLE, PIGGYBACK	2	2	2	2	2
C	-99	92495127	CAPACITOR, NON-ELECTROLYTIC, .01UF, 200V	1	1	1	1	1
C	-100	92261122	TUBING, CLEAR	AR	AR	AR	AR	AR

NOTES: (1) S/C 18 E BELOW W/O PE31756

(2) S/C 18 W 31756; S/C 19 & ABOVE

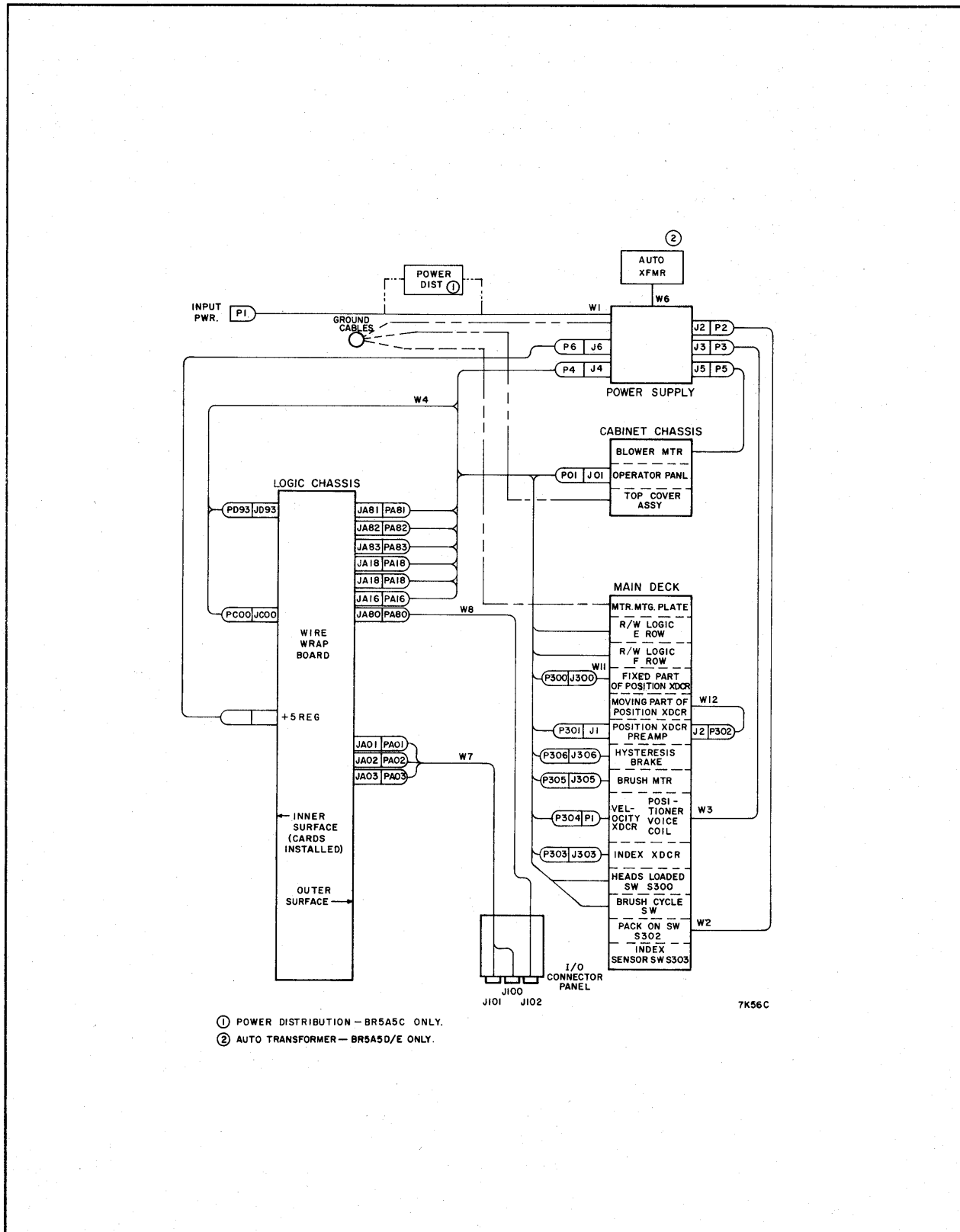


ASSY LEVEL	INDEX NO.	EQUIPMENT PART NUMBER	ITEM DESCRIPTION	MOD. LEVEL				
				A	B	C	D	E
				NO. REQUIRED				
C	16-	75052700	POWER AMPLIFIER CIRCUIT ASSEMBLY	1	1	1	1	1
D	-1	75052600	BOARD, PRINTED CIRCUIT, POWER AMP	1	1	1	1	1
D	-2	94261000	SINK, HEAT, TRANSISTOR	8	8	8	8	8
D	-3	50221301	TRANSISTOR, NPN, SILICON, POWER, 100V	4	4	4	4	4
D	-4	50221401	TRANSISTOR, PNP, SILICON, POWER, 80V	4	4	4	4	4
D	-5	10127346	SCREW, MACHINE, PAN HEAD, SLOTTED, 8-32 x 1/4	4	4	4	4	4
D	-6	93640024	STUD, SELF-CLINCHING	16	16	16	16	16
D	-7	95510026	NUT, HEXAGON	16	16	16	16	16
D	-8	10126103	WASHER, LOCK, INTERNAL TOOTH, 6	16	16	16	16	16
D	-9	92115037	DIODE, SILICON, ZENER	4	4	4	4	4
D	-10	92825007	RESISTOR, 10W, 1 OHM	6	6	6	6	6
D	-11	95591206	TERMINAL, STRIP, QUICK-CONNECT	1	1	1	1	1
D	-12	94237014	RESISTOR, POWER, THIN, 30W, 10 OHMS	2	2	2	2	2
D	-13	94237017	RESISTOR, POWER, THIN, 30W, 100 OHMS	1	1	1	1	1
D	-14	94237011	RESISTOR, POWER, THIN, 30W, 0.5 OHMS	2	2	2	2	2
D	-15	92762002	RESISTOR, FIXED, POWER	2	2	2	2	2
D	-16	92512867	RESISTOR, 1W, 100 OHMS	2	2	2	2	2
D	-17	92512877	RESISTOR, 1W, 330 OHMS	2	2	2	2	2
D	-18	10127347	SCREW, MACHINE, PAN HEAD, SLOTTED, 8-32 x 3/8	4	4	4	4	4
D	-19	10127358	SCREW, MACHINE, PAN HEAD, SLOTTED, 8-32 x 2-1/2	2	2	2	2	2
D	-20	10127350	SCREW, MACHINE, PAN HEAD, SLOTTED, 8-32 x 3/4	2	2	2	2	2
D	-21	10125106	NUT, HEXAGON, 8-32	8	8	8	8	8
D	-22	10126104	WASHER, LOCK, INTERNAL TOOTH, 8	12	12	12	12	12
D	-23	93114331	STANDOFF, HEXAGON, TAPPED POST	4	4	4	4	4
D	-24	95594500	TERMINAL, QUICK-CONNECT	5	5	5	5	5
D	-25	95643216	CONNECTOR, QUICK-CONNECT	2	2	2	2	2
D	-26	95593201	RECEPTACLE, PRINTED CIRCUIT	16	16	16	16	16
D	-27	95643227	CONNECTOR, QUICK-CONNECT	10	10	10	10	10
D	-28	95643212	CONNECTOR, QUICK-CONNECT	7	7	7	7	7
C	-29	10127122	SCREW, MACHINE, PAN HEAD, PHILLIPS, 8-32 x 3/8	4	4	4	4	4
C	-30	10126104	WASHER, LOCK, INTERNAL TOOTH, 8	4	4	4	4	4



3023E

ASSY LEVEL	INDEX NO.	EQUIPMENT PART NUMBER	ITEM DESCRIPTION	MOD. LEVEL			
				D	E		
				NO. REQUIRED			
B	-17	46347004	TRANSFORMER ASSEMBLY	1	1	*	
C	-1	10127142	SCREW, MACHINE, PAN HEAD, PHILLIPS, 10-32 x 3/8	4	4		
C	-2	10125607	WASHER, FLAT, 10	2	2		
C	-3	10126105	WASHER, LOCK, INTERNAL TOOTH, 10	2	2		
C	-4	10125805	WASHER, LOCK, SPRING LOCK, 10	2	2		
C	-5	93114349	STANDOFF, TAPPED POST, HEXAGON	2	2		
C	-6	24547504	PLATE, WARNING	1	1		
C	-7	46348300	COVER, TRANSFORMER	1	1		
C	-8	10125105	NUT, HEXAGON, 6-32	1	1		
C	-9	10126401	WASHER, LOCK, EXTERNAL TOOTH, 6	2	2		
C	-10	95655557	SCREW, SHEETMETAL, 1/4-14 x 5/8	4	4		
C	-11	95634808	NUT, SPEED, 1/4	4	4		
C	-12	10127122	SCREW, MACHINE, PAN HEAD, PHILLIPS, 8-32 x 3/8	4	4		
C	-13	93299002	CONNECTOR, 90° ANGLE	2	2		
C	-14	91771600	TRANSFORMER, AUTO	1	1		
C	-15	46343800	MOUNT, TRANSFORMER	1	1		
			*BR5A5 D/E ONLY				



ASSY LEVEL	INDEX NO.	EQUIPMENT PART NUMBER	ITEM DESCRIPTION	MOD. LEVEL				
				A	B	C	D	E
				NO. REQUIRED				
	18		CABLE ASSEMBLIES					
C	-W1	70734107	CABLE ASSEMBLY, W1, 60 HZ	1	-	1	1	-
C	-W1	70734108	CABLE ASSEMBLY, W1, 50 HZ	-	1	-	-	1
C	-W2	73110701	CABLE ASSEMBLY, W2, 60 HZ	1	-	1	1	-
C	-W2	73110702	CABLE ASSEMBLY, W2, 50 HZ	-	1	-	-	1
D	-	93948001	CONNECTOR, PLUG, 9 PIN (P2)	1	1	1	1	1
D	-	93942006	CONTACT, PIN	4	4	4	4	4
C	-W3	70733801	CABLE ASSEMBLY, W3	1	1	1	1	1
D	-	93948000	CONNECTOR, PLUG, 5 PIN (P3)	1	1	1	1	1
D	-	93942007	CONTACT, PIN	5	5	5	5	5
C	-W4	75190700	CABLE ASSEMBLY, W4	1	1	1	1	1
D	-	93643016	CONNECTOR, BLOCK, 34 PIN (P4)	1	1	1	1	1
D	-	93643004	PIN, GUIDE, CORNER, CONNECTOR (P4)	2	2	2	2	2
D	-	93643005	SOCKET, GUIDE, CORNER, CONNECTOR (P4)	2	2	2	2	2
D	-	93643008	JACKSCREW, TURNABLE, MALE (P4)	2	2	2	2	2
D	-	94219896	CONNECTOR, PLUG, DUO-TYNE FLAT (P301)	1	1	1	1	1
D	-	94219902	CONTACT, PIN, DUO-TYNE FLAG	11	11	11	11	11
D	-	93947009	CONNECTOR, PLUG, 4 SOCKET	1	1	1	1	1
D	-	93947004	CONNECTOR, PLUG, 3 SOCKET	1	1	1	1	1
D	-	93947005	CONNECTOR, PLUG, 2 SOCKET	1	1	1	1	1
D	-	94261810	BODY, CONNECTOR SOCKET, 28 PIN	3	3	3	3	3
D	-	93644002	CONTACT, PIN, 22-20 WIRE RANGE	17	17	17	17	17
D	-	93644003	CONTACT, PIN, 26-24 WIRE RANGE	2	2	2	2	2
D	-	94245614	CONTACT-CRIMP, INSERT, SOCKET	33	33	33	33	33
D	-	93943001	CONTACT, SOCKET, 22-18 WIRE RANGE	12	12	12	12	12
D	-	93947003	CONNECTOR, PLUG, 3 SOCKET	2	2	2	2	2
D	-	93948004	CONNECTOR, PLUG, 2 SOCKET	1	1	1	1	1
D	-	93942001	CONTACT, PIN, 22-18 WIRE RANGE	2	2	2	2	2
D	-	93948001	CONNECTOR, PLUG, 9 SOCKET	1	1	1	1	1
D	-	93942003	CONTACT, PIN, 18-14 WIRE RANGE	7	7	7	7	7
D	-	94261805	BODY, CONNECTOR, SOCKET, 12 PIN	1	1	1	1	1
D	-W6	77432400	CABLE ASSEMBLY, W6	-	-	-	1	1
C	-W7	75189000	CABLE ASSEMBLY, W7	1	1	1	1	1
D	-	94281201	CONNECTOR, PLUG, 75 PIN (J100)	1	1	1	1	1
D	-	93644003	CONTACT, PIN, 26-24 WIRE RANGE	37	37	37	37	37
D	-	93644002	CONTACT, PIN, 22-20 WIRE RANGE (J100)	15	15	15	15	15
D	-	94281200	CONNECTOR, PLUG, 75 PIN (J101)	1	1	1	1	1
D	-	93645003	CONTACT, SOCKET, 26-24 WIRE RANGE	37	37	37	37	37
D	-	93645002	CONTACT, SOCKET, 22-20 WIRE RANGE (J101)	14	14	14	14	14
D	-	94261810	BODY, CONNECTOR, SOCKET, 28 PIN, (PA01,02,03)	3	3	3	3	3
D	-	93645004	CONTACT, SOCKET, 18-16 WIRE RANGE (J101)	1	1	1	1	1
D	-	94245614	CONTACT-CRIMP, INSERT, SOCKET	68	68	68	68	68
C	-	94261805	BODY, CONNECTOR, SOCKET, 12 PIN (PA80)	1	1	1	1	1
C	-W8	75190500	CABLE ASSEMBLY, W8	1	1	1	1	1
D	-	94289201	CONNECTOR, PLUG, 29 POSITION (J102)	1	1	1	1	1
D	-	93644003	CONTACT, PIN, 26-24 WIRE RANGE	6	6	6	6	6
D	-	94261805	BODY, CONNECTOR, SOCKET, 12 PIN (PA80)	1	1	1	1	1
C	-W11	73225700	CABLE ASSEMBLY, W11	1	1	1	1	1
D	-	93948004	CONNECTOR, PLUG, 2 SOCKET (P300)	1	1	1	1	1
D	-	93942001	CONTACT, PIN, 22-18 WIRE RANGE	2	2	2	2	2
C	-W12	73225600	CABLE ASSEMBLY, W12	1	1	1	1	1
D	-	94219896	CONNECTOR, PLUG, DUO-TYNE FLAG (P302)	1	1	1	1	1
D	-	94219902	CONTACT, PIN, DUO-TYNE FLAG	8	8	8	8	8
C	-W15	75195000	CABLE ASSEMBLY, W15 (P1-PA83)	1	1	1	1	1
C	-RW	75195700	CABLE ASSEMBLY, READ/WRITE (JA81-JA82)	1	1	1	1	1





SECTION 9

WIRE LISTS

Information for this section is included in BR5A5  
Disk Storage Unit, Publication No. 83302400.

SECTION 10

EQUATION SUMMARY

(Not Applicable)



COMMENT SHEET

MANUAL TITLE \_\_\_\_\_

\_\_\_\_\_

PUBLICATION NO. \_\_\_\_\_ REVISION \_\_\_\_\_

FROM:

NAME: \_\_\_\_\_

BUSINESS

ADDRESS: \_\_\_\_\_

\_\_\_\_\_

CUT ALONG LINE

KØR-0502B

NO POSTAGE STAMP NECESSARY IF MAILED IN U. S. A.  
FOLD ON DOTTED LINES AND STAPLE

FOLD

FOLD

FIRST CLASS  
PERMIT NO. 8241

MINNEAPOLIS, MINN.

**BUSINESS REPLY MAIL**

NO POSTAGE STAMP NECESSARY IF MAILED IN U. S. A.

POSTAGE WILL BE PAID BY  
CONTROL DATA CORPORATION  
TECHNICAL PUBLICATIONS DEPARTMENT  
7801 COMPUTER AVENUE  
MINNEAPOLIS, MINNESOTA 55435



CUT ALONG LINE

FOLD

FOLD