

CONTROL DATA[®] 6601A-H/6604A-B CENTRAL COMPUTER

Chassis 12

CARD PLACEMENT
WIRE LISTS
CHASSIS TABS

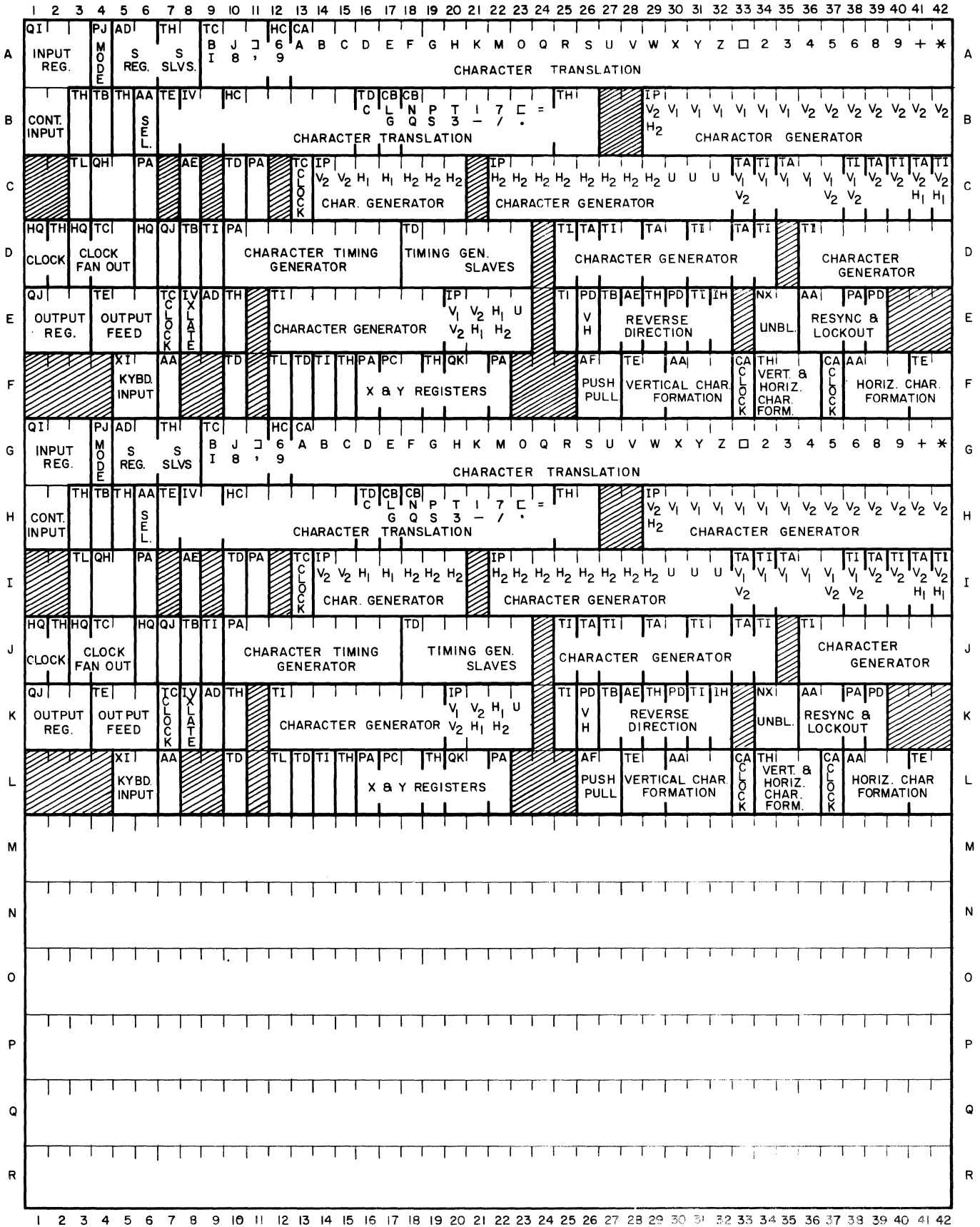
CONTROL DATA
CORPORATION

CUSTOMER ENGINEERING MANUAL

63016700		Record of Revisions
REVISION	NOTES	
A (4-15-65)	This printing obsoletes all previous editions.	
B	Change Order 9850	
C	Change Order 10410	
D	Change Order 11307	
E	Change Order 11369	
F (12-22-65)	This Publication Change Order (12201) incorporates the modification of wire lengths to conform with production specifications, the correction of typographical wiring errors, and the addition of signal annotation for purposes of clarity. This edition obsoletes all previous editions.	

Pub. No. 63016700
 December, 1965
 © 1965, Control Data Corporation
 Printed in the United States of America

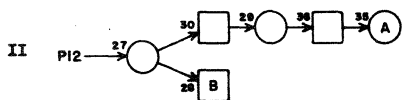
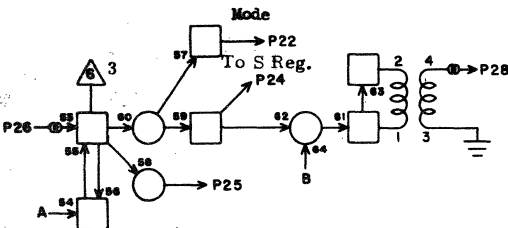
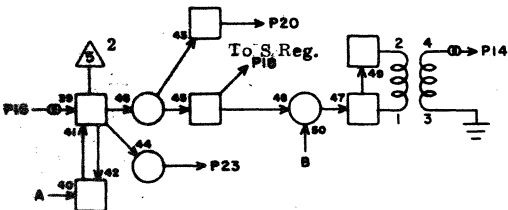
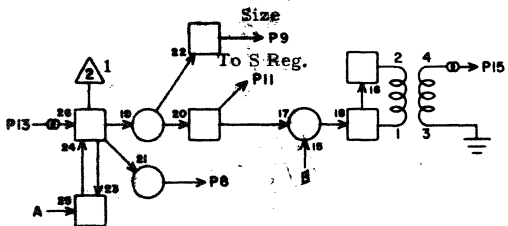
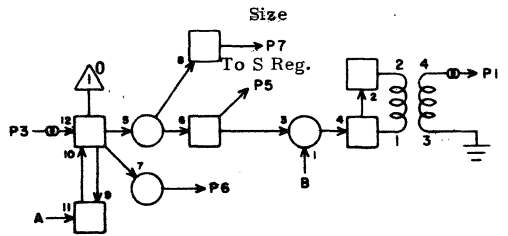
Address comments concerning this manual to:
 Control Data Corporation
 Technical Publications Department
 4201 North Lexington Avenue
 St. Paul, Minnesota 55112
 or use Comment Sheet in back of this manual.



HINGE



INPUT REGISTER

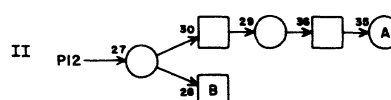
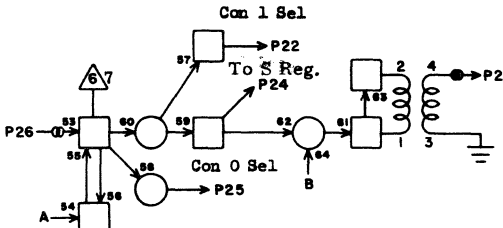
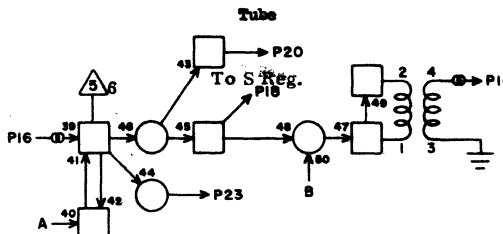
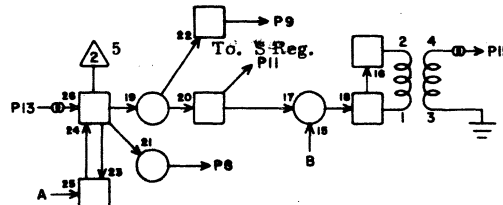
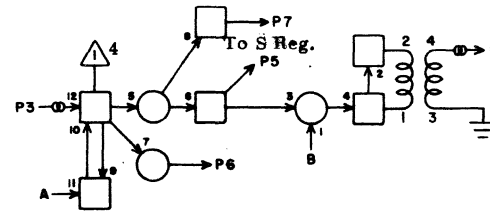


Q1 12A01

1	W3	90	
2			
3	12w1	90	
4			
5	A06	5	7
6			
7	A04	5	7
8			
9	A04	8	5
10			
11	A06	4	7
12	D05	23	17
13	12w1	91	
14	W3	92	
15	W3	91	
16	12w1	92	
17			
18	A06	11	9
19			
20			
21			
22	A04	12	5
23			
24	A06	18	9
25			
26	12w1	93	
27			
28	W3	93	

JACK PIN LG

INPUT REGISTER

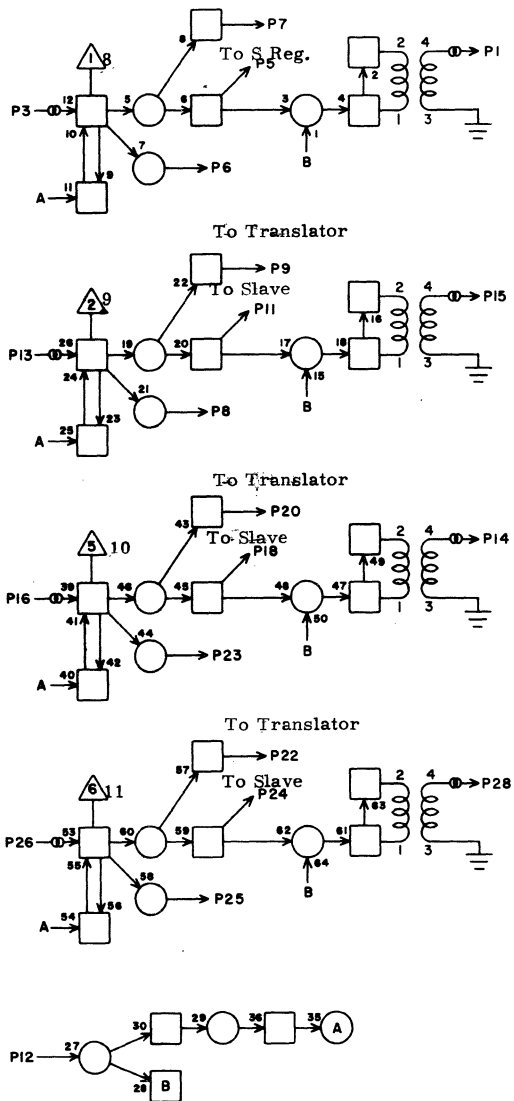


Q1 12A02

1	W3	94	
2			
3	12w1	94	
4			
5	A06	25	7
6			
7	E28	13	31
8			
9			
10			
11	A06	24	7
12	D05	25	17
13	12w1	95	
14	W3	96	
15	W3	95	
16	12w1	96	
17			
18	A05	5	5
19			
20	A04	21	5
21			
22	A04	23	5
23			
24	A05	4	5
25	A04	24	5
26	12w1	97	
27			
28	W3	97	

JACK PIN LG

INPUT REGISTER

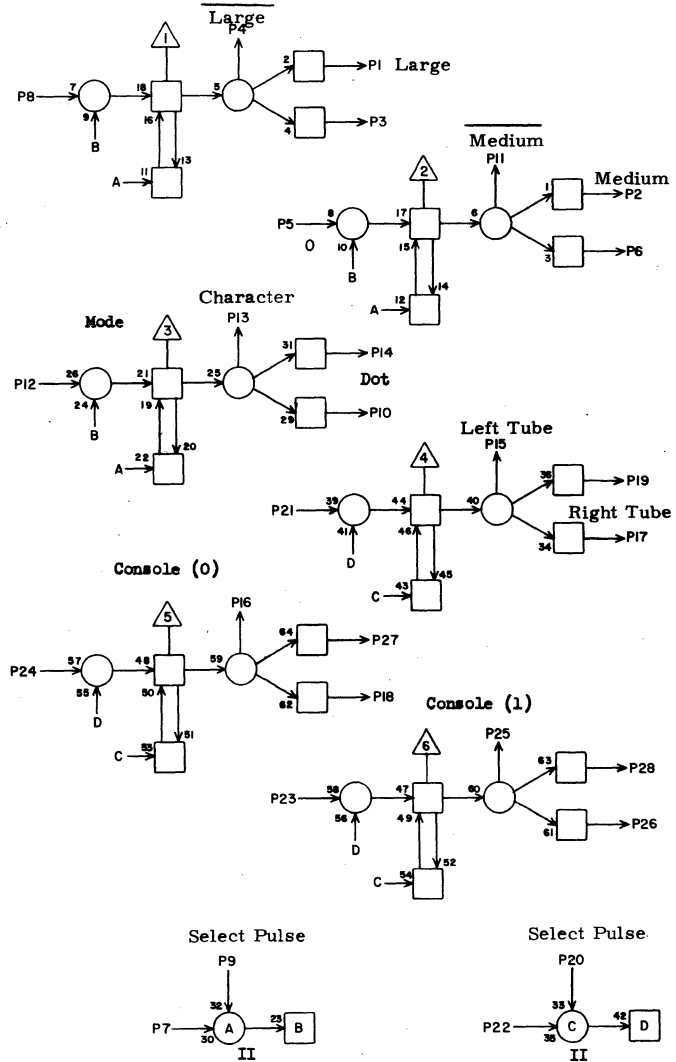


Q1	12	A03
1	W3	98
2		
3	12w1	98
4		
5	A05	11 5
6		
7		
8		
9	EOB	6 19
10		
11	B03	1 5
12	DO5	26 17
13	12w1	99
14	W3	900
15	W3	99
16	12w1	900
17		
18	B03	6 5
19		
20	EOB	9 19
21		
22	EOB	26 19
23		
24	B03	3 5
25		
26	12w1	901
27		
28	W3	901

JACK PIN LG

63016700 Rev.F

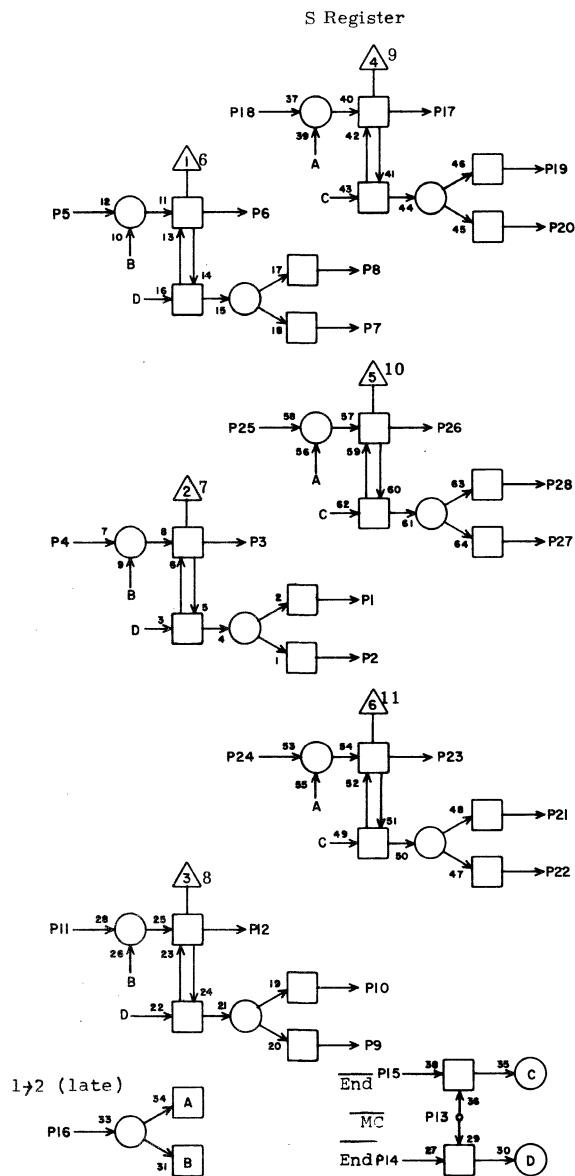
MODE FLIP FLOPS



PJ	12A04
1	F13 25 25
2	F13 4 25
3	
4	F15 25 27
5	A01 7 5
6	
7	DO5 24 17
8	A01 9 5
9	B04 12 7
10	
11	F15 26 25
12	A01 22 5
13	B05 25 9
14	B05 26 9
15	A07 25 5
16	C03 26 11
17	
18	C03 5 11
19	A07 26 5
20	B04 15 7
21	A02 20 5
22	DO5 22 15
23	A02 22 5
24	A02 25 5
25	C03 28 11
26	C03 1 9
27	B35 4 33
28	B34 4 33

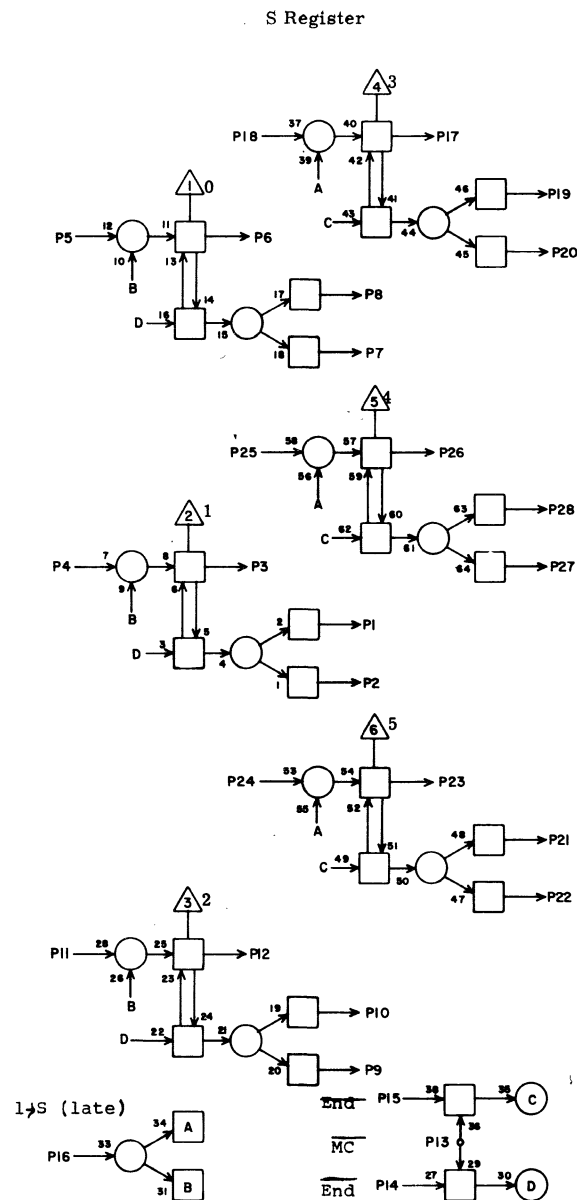
JACK PIN LG

63016700 Rev. F



AD			
12A 05			
AD	JACK	PIN	LG
1			
2			
3	A07	6	5
4	A02	24	5
5	A02	18	5
6	A07	1	5
7			
8			
9			
10			
11	A03	5	5
12	A07	3	5
13	C13	20	15
14	D20	17	21
15	D20	15	21
16	C10	6	13
17	B07	18	7
18	B03	14	7
19			
20			
21			
22			
23	B07	25	7
24	B03	2	5
25	B03	5	5
26	B07	26	7
27			
28			

63016700 Rev. F

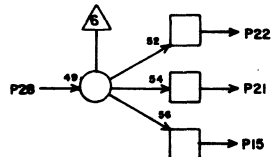
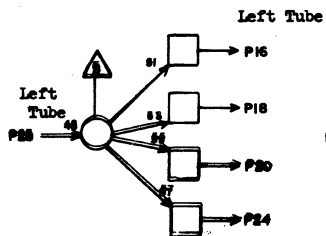
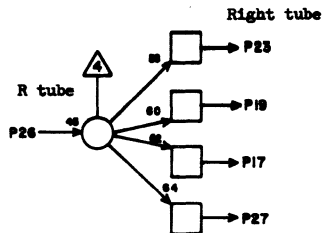
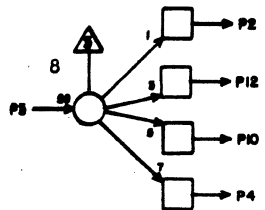
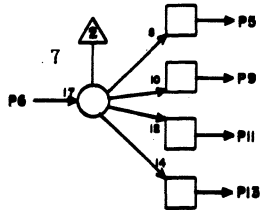
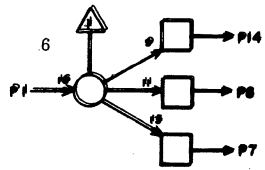


12A06

AD			
12A 06			
AD	JACK	PIN	LG
1			
2			
3	A08	6	5
4	A01	11	7
5	A01	5	7
6	A08	1	5
7			
8			
9			
10			
11	A01	18	9
12	A08	3	5
13	C13	18	13
14	D20	21	21
15	D20	19	21
16	C10	8	11
17	A08	26	5
18	A01	24	9
19			
20			
21			
22			
23	A08	28	5
24	A02	11	7
25	A02	5	7
26	A08	25	5
27			
28			

63016700 Rev. F

8 Reg Slaves



TN

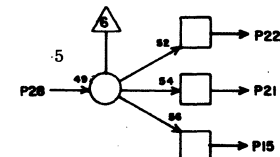
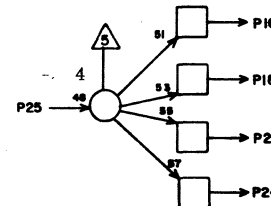
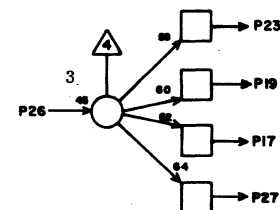
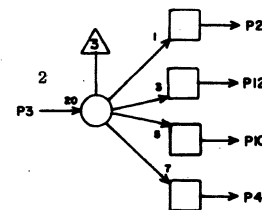
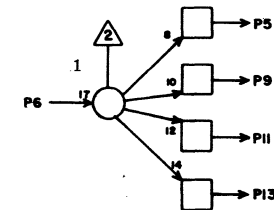
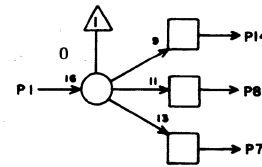
12A07

1	A05	6	5
2	F18	25	27
3	A05	12	5
4			
5	F18	6	25
6	A05	3	5
7	B07	4	7
8	F22	21	27
9	F22	24	27
10	B07	13	9
11	B07	3	7
12	F22	23	27
13			
14	F18	5	25
15			
16	E35	23	33
17			
18	E34	23	33
19	E34	26	33
20			
21			
22			
23	E35	26	33
24			
25	A04	15	5
26	A04	19	5
27			
28			

JACK PIN LG

63016700 Rev. F

8 Reg Slaves



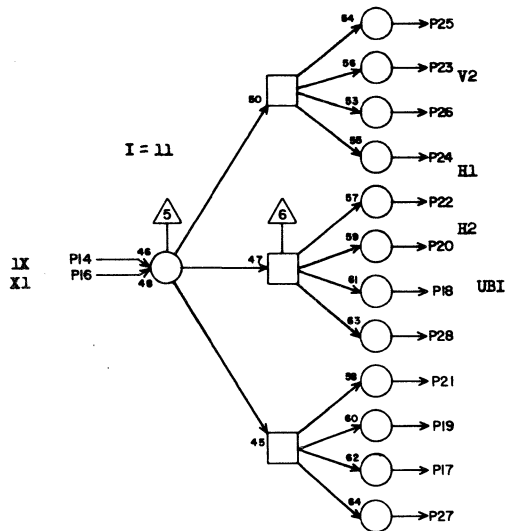
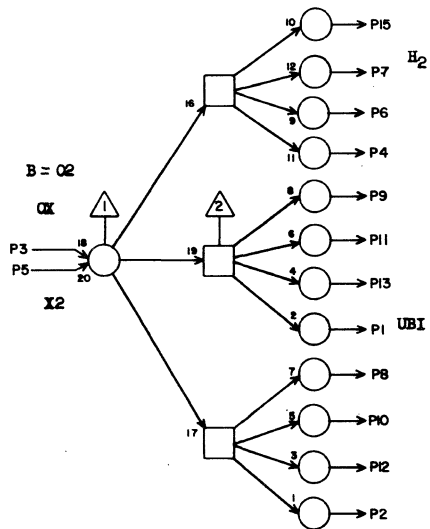
TN

12A08

1	A06	6	5
2	F16	12	25
3	A06	12	5
4			
5	F16	5	25
6	A06	3	5
7	B07	6	7
8	F16	21	25
9	F16	24	25
10	B07	7	7
11	B07	5	7
12	F16	23	25
13			
14	F16	8	25
15	B07	23	9
16	F17	6	23
17	B07	22	9
18	F22	5	25
19	F22	8	25
20	B07	24	9
21	F22	12	25
22	F17	25	25
23	F17	5	25
24			
25	A06	26	5
26	A06	17	5
27			
28	A06	23	5

JACK PIN LG

63016700 Rev. F

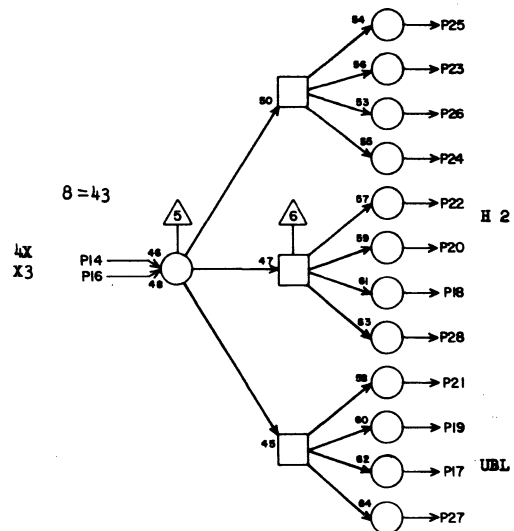
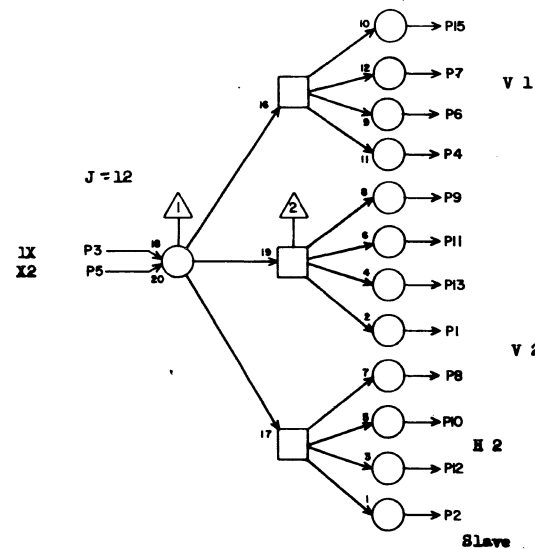


TC 12A09

1	C32	3	25
2			
3	B10	6	9
4	D28	15	25
5	B13	18	9
6	D28	10	23
7	D30	13	25
8	D34	15	29
9	D31	10	25
10			
11	D25	22	21
12			
13	C31	16	23
14	B10	18	9
15	C29	16	23
16	B13	4	9
17			
18	D30	17	25
19			
20	C31	12	23
21			
22	C17	20	15
23	B39	6	29
24	C41	13	33
25	B37	16	27
26	B40	6	31
27			
28			

JACK PIN LG

63016700 Rev. F



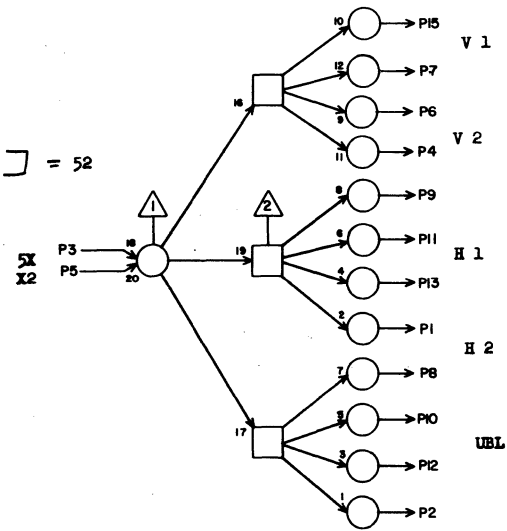
TC 12A10

1	B40	4	29
2	B25	28	19
3	B10	20	9
4	B36	12	27
5	B13	20	9
6	C33	9	27
7	B30	22	21
8	B41	12	31
9	B37	18	27
10	C18	12	15
11	B37	14	27
12	C18	21	15
13	B39	4	29
14	B12	11	9
15	B30	3	21
16	B14	8	9
17	C30	20	23
18	D30	8	25
19	D28	19	23
20	C29	25	23
21	D28	14	23
22	C28	26	23
23	C26	10	19
24	C28	10	21
25	C25	10	19
26	C27	12	19
27	D34	6	27
28	D30	5	25

JACK PIN LG

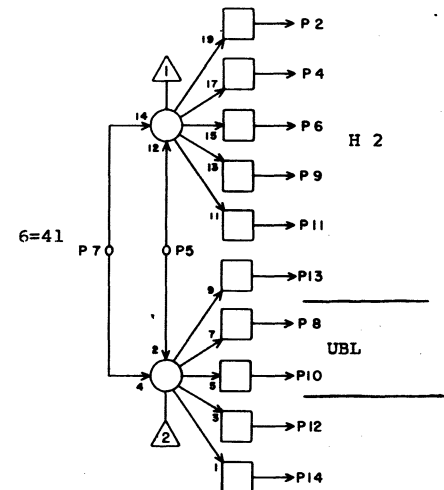
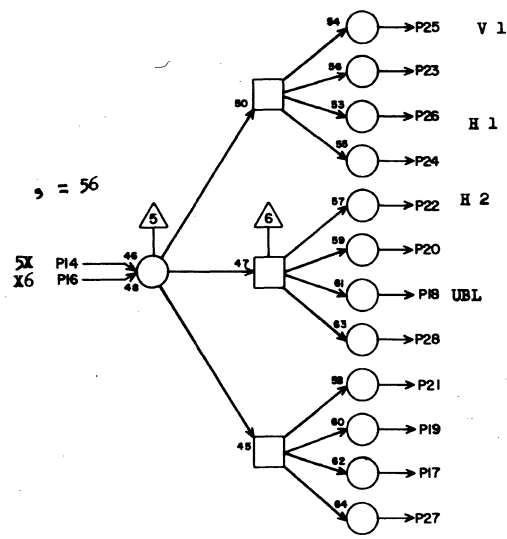
63016700 Rev. F

12A10



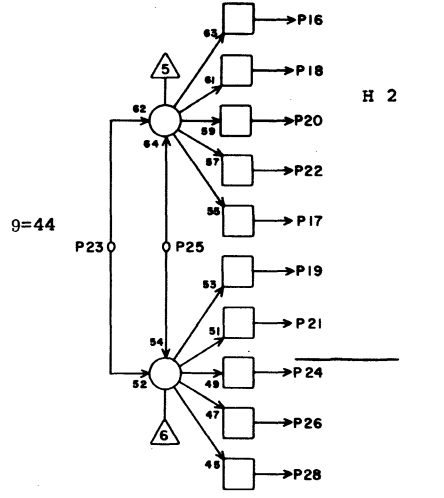
TC 12A11

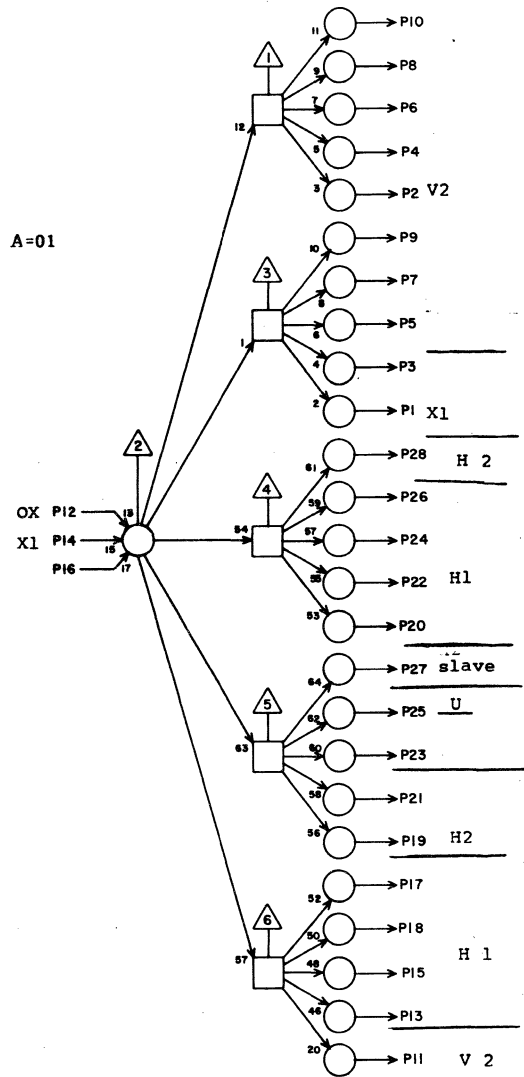
JACK	PIN	LG
1	D29	3 23
2		
3	B12	20 9
4	C40	14 29
5	B13	21 9
6	C40	6 29
7	C34	26 25
8	C29	6 21
9	C41	23 31
10	D30	24 25
11	D26	6 21
12	D33	26 27
13	D27	6 21
14	B12	17 9
15	C33	6 25
16	B15	8 9
17		
18	D32	25 25
19		
20	C34	28 25
21		
22		
23	D27	5 21
24		
25	C37	4 27
26		
27		
28	B29	7 25



HC 12A 12

JACK	PIN	LG
1		
2	C25	14 17
3		
4	C26	14 19
5	A38	27 27
6	C27	14 19
7	good	x 2
8	D31	4 23
9	C28	24 19
10	D33	24 25
11	C29	23 21
12		
13	D30	10 23
14		
15		
16	C23	16 17
17	C28	8 19
18	C25	8 17
19	C29	14 21
20	C26	8 17
21	C29	27 21
22	C27	10 19
23	good	x 2
24	C30	22 21
25	A40	27 27
26	D33	11 25
27		
28		

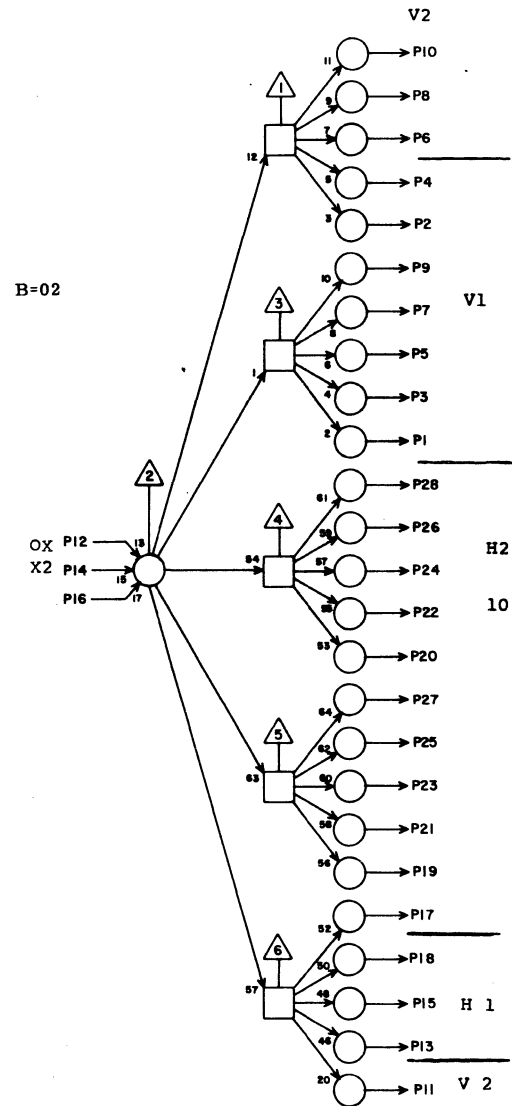




CA 12A13

JACK	PIN	LG
1	B31	1 21
2	B40	14 27
3	B33	1 21
4	B41	14 29
5	B36	16 23
6	B41	16 29
7	B37	17 25
8	B42	1 29
9	B39	14 27
10	C14	14 13
11	B35	16 23
12	B10	2 7
13	C42	15 29
14	B13	2 7
15	C42	1 29
16	good	x 2
17	C16	14 11
18	C42	2 29
19	C27	1 17
20	C16	1 11
21	C28	1 17
22	C16	17 13
23	C30	14 19
24	C16	16 11
25	D32	2 23
26	C17	1 11
27	B25	1 15
28	C24	14 17

63016700 Rev. F

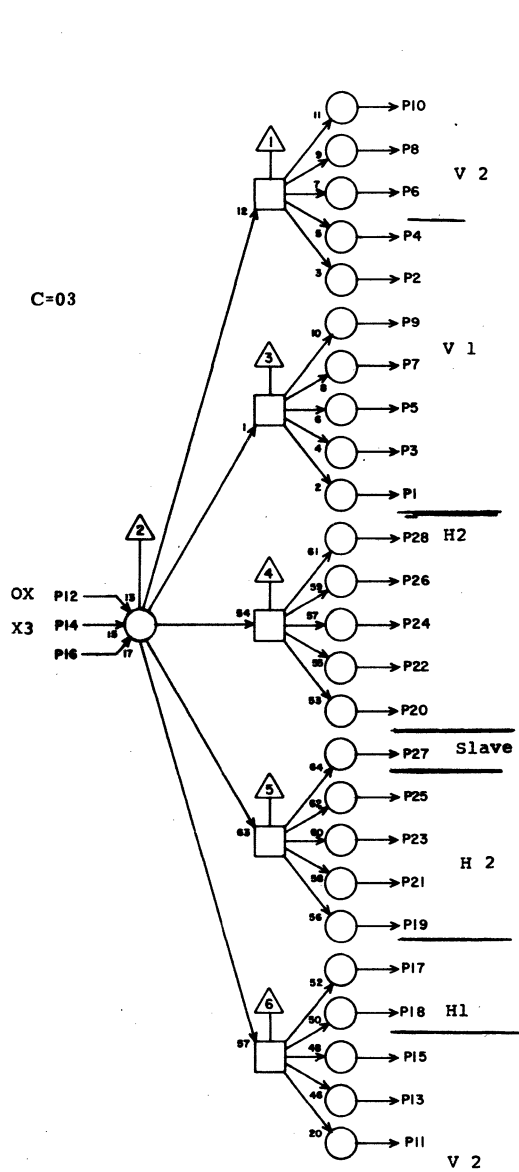


CA 12A14

JACK	PIN	LG
1	B30	16 19
2	C38	1 25
3	B32	1 19
4	C38	2 25
5	B32	16 19
6	B35	1 23
7	B33	3 21
8	B35	18 23
9	B35	4 23
10	B36	18 23
11	B37	19 25
12	B10	4 7
13	C16	19 13
14	B13	16 7
15	C41	15 27
16	good	x 2
17	C19	14 13
18	D27	10 19
19	C26	1 15
20	C19	16 13
21	C27	3 17
22	C20	16 13
23	C28	3 17
24	C22	16 15
25	C29	1 17
26	C24	12 15
27		
28	C25	1 15

63016700 Rev. F

12A14

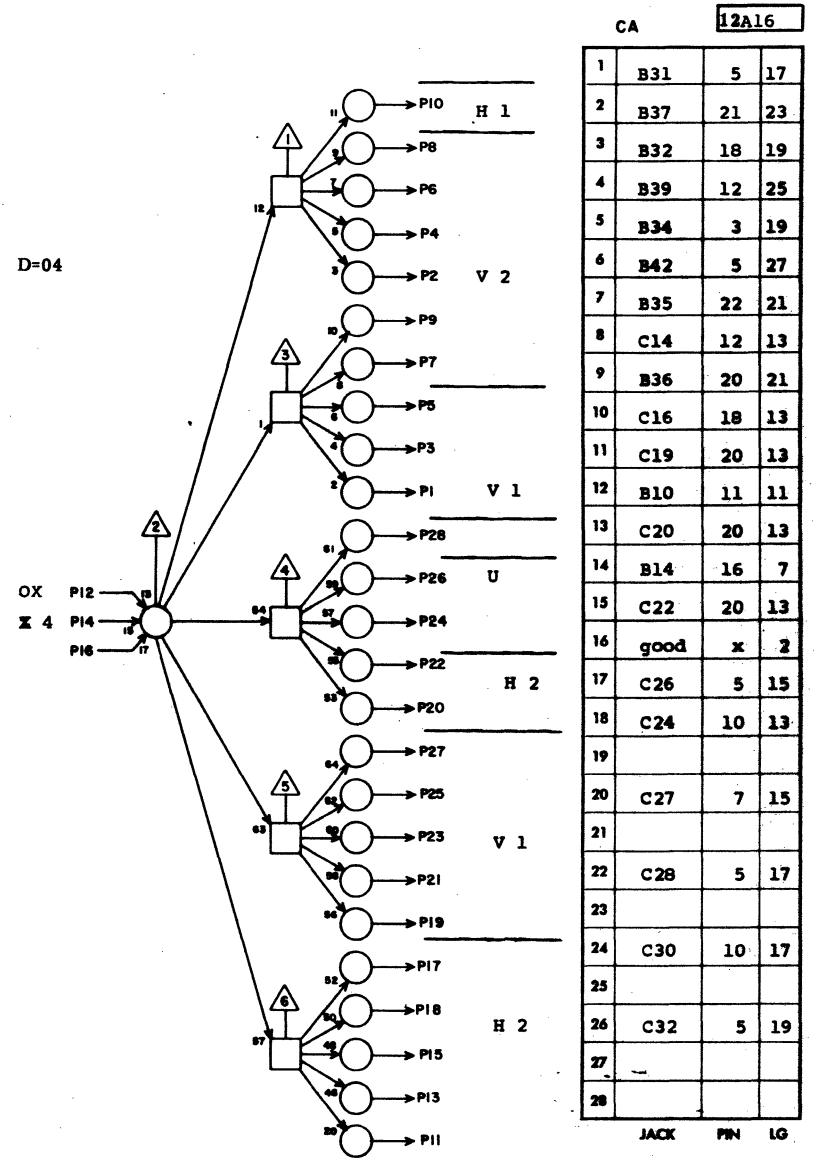


CA 12A15

1	B30	1	17
2	B34	1	21
3	B31	3	19
4	B34	17	21
5	B32	4	19
6	C33	11	23
7	B32	3	19
8	B35	3	23
9	B33	16	19
10	B40	12	25
11	B41	18	27
12	B10	9	9
13	B42	3	27
14	B14	2	7
15	C14	17	13
16	good	x	2
17	C16	21	13
18	C42	4	27
19	C19	18	13
20	C17	16	11
21	C20	18	13
22	D26	13	19
23	C22	18	13
24	D26	16	19
25	C25	3	15
26	C18	17	11
27	B16	25	7
28	C19	12	11

JACK PIN LG

63016700 Rev. F

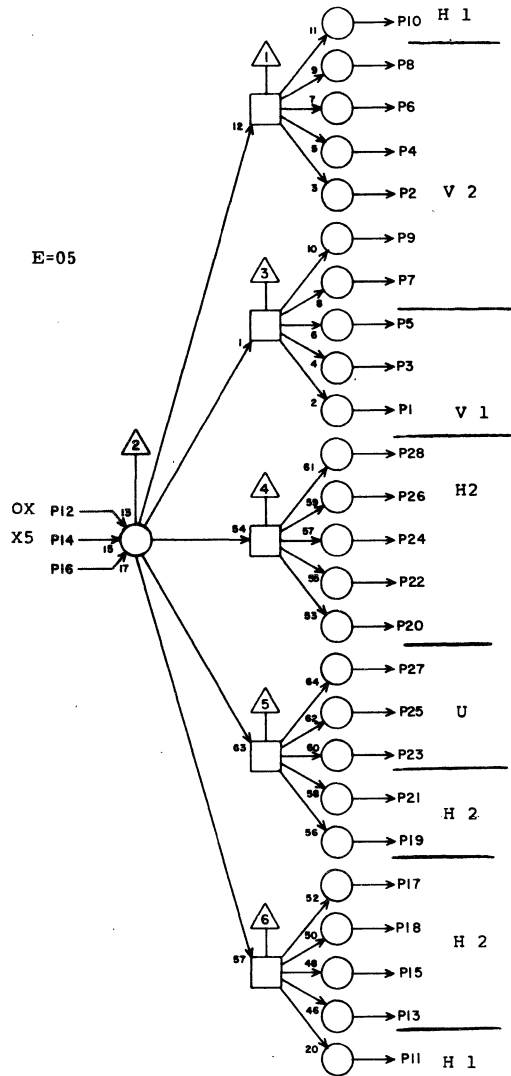


CA 12A16

1	B31	5	17
2	B37	21	23
3	B32	18	19
4	B39	12	25
5	B34	3	19
6	B42	5	27
7	B35	22	21
8	C14	12	13
9	B36	20	21
10	C16	18	13
11	C19	20	13
12	B10	11	11
13	C20	20	13
14	B14	16	7
15	C22	20	13
16	good	x	2
17	C26	5	15
18	C24	10	13
19			
20	C27	7	15
21			
22	C28	5	17
23			
24	C30	10	17
25			
26	C32	5	19
27			
28			

JACK PIN LG

63016700 Rev. F

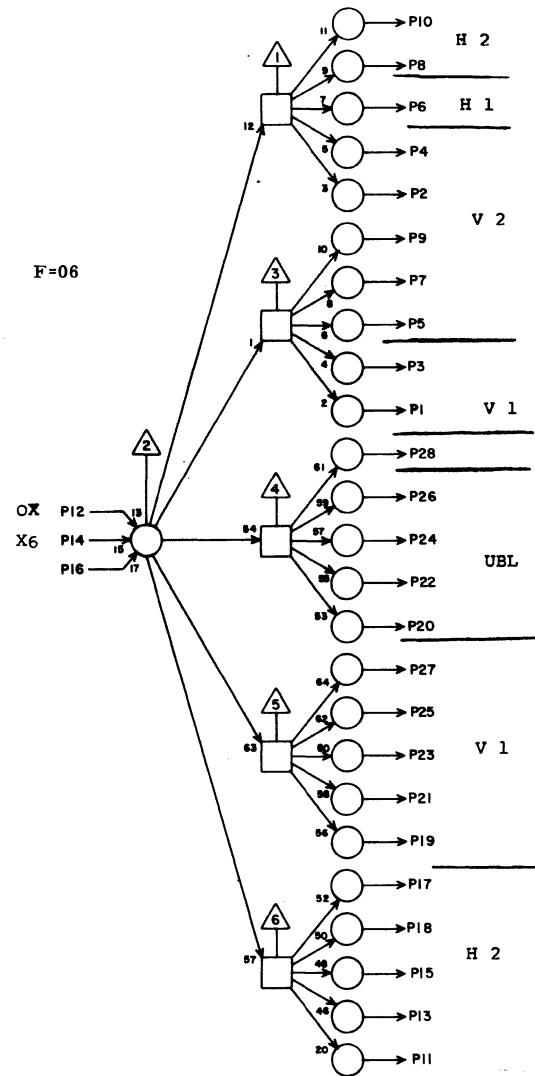


CA **12A17**

1	B30	18	17
2	B36	22	21
3			
4	B37	23	23
5	B29	14	15
6	B42	7	25
7	B35	5	19
8	C15	17	13
9	B35	24	19
10	C16	23	13
11	D26	14	17
12	B10	13	11
13	C19	10	11
14	B16	5	5
15	C19	22	11
16	good	x	2
17	C22	22	13
18	C20	22	13
19	D28	12	17
20	C24	8	13
21	D28	17	17
22	C26	7	15
23	D25	24	17
24	C27	9	17
25	C31	17	19
26	C28	7	17
27	B25	6	11
28	D31	12	19

JACK PIN LG

63016700 Rev. F



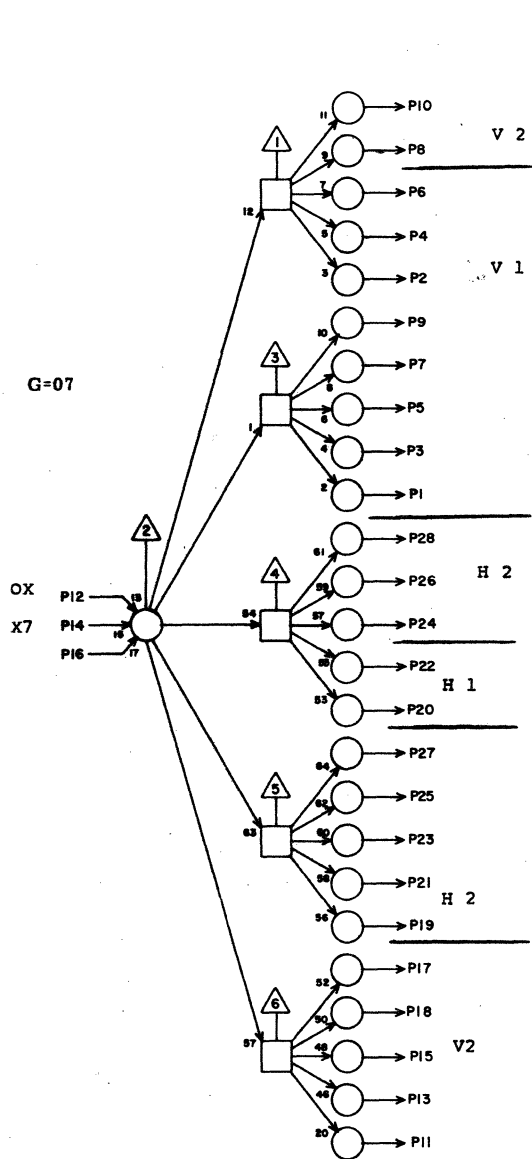
CA **12A18**

1	B30	20	15
2	B37	25	21
3	B33	20	17
4	B42	9	25
5	B35	7	19
6	C16	25	13
7	B35	26	19
8	C19	8	11
9	B36	24	19
10	C19	24	13
11	C20	24	13
12	B10	8	11
13	C22	24	13
14	B15	2	7
15	C24	6	13
16	good	x	2
17	C27	11	15
18	C29	4	19
19			
20	D25	26	17
21			
22	C31	19	17
23			
24	D33	4	19
25			
26	D32	28	23
27			
28			

JACK PIN LG

12A18

63016700 Rev. F

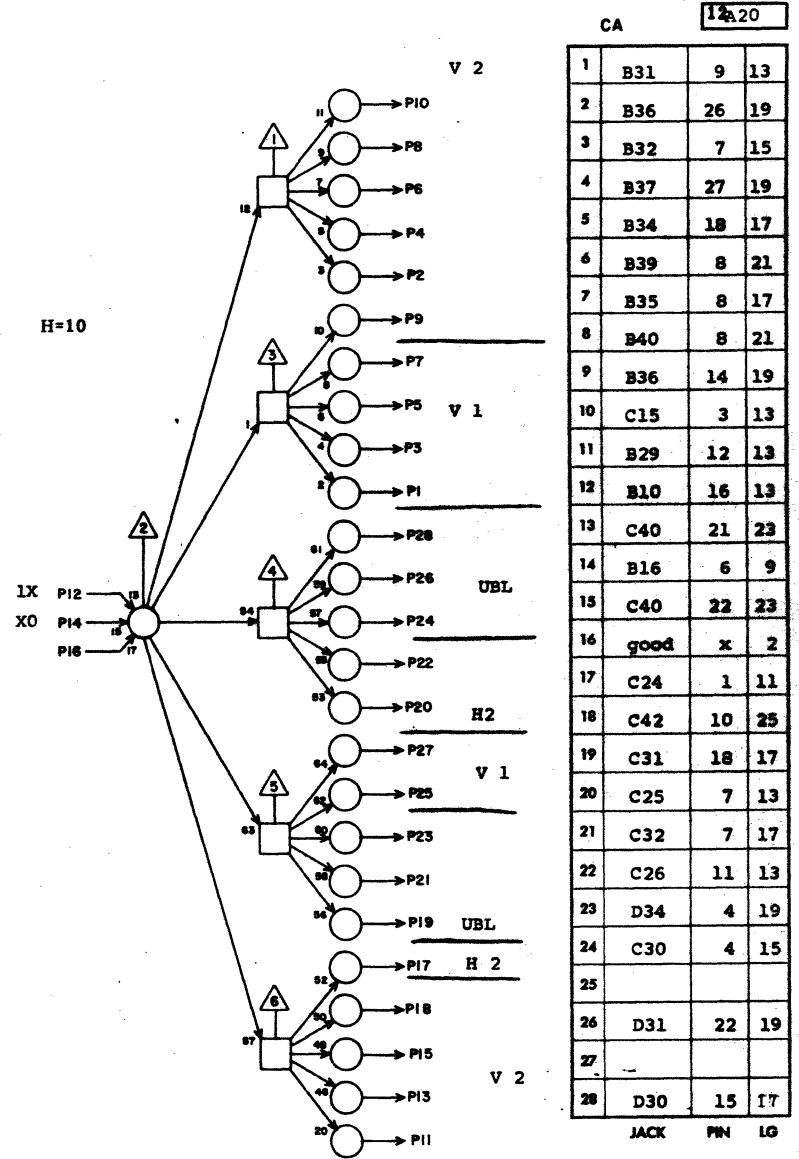


CA 12 A19

1	C34	5	19
2	B34	19	19
3	B31	7	15
4	C36	15	21
5	B32	5	15
6	B34	16	17
7	B32	20	15
8	B39	10	23
9	B33	5	17
10	C14	10	13
11	B40	10	23
12	B10	10	13
13	B41	20	23
14	B15	16	9
15	C14	19	13
16	good	x	2
17	B35	9	21
18	C15	1	11
19	C19	6	11
20	C15	16	13
21	C20	26	13
22	C17	3	11
23	C22	26	13
24	C17	18	11
25	C24	4	11
26	D26	11	17
27	C25	5	11
28	C18	19	11

JACK PIN LG

63016700 Rev. F

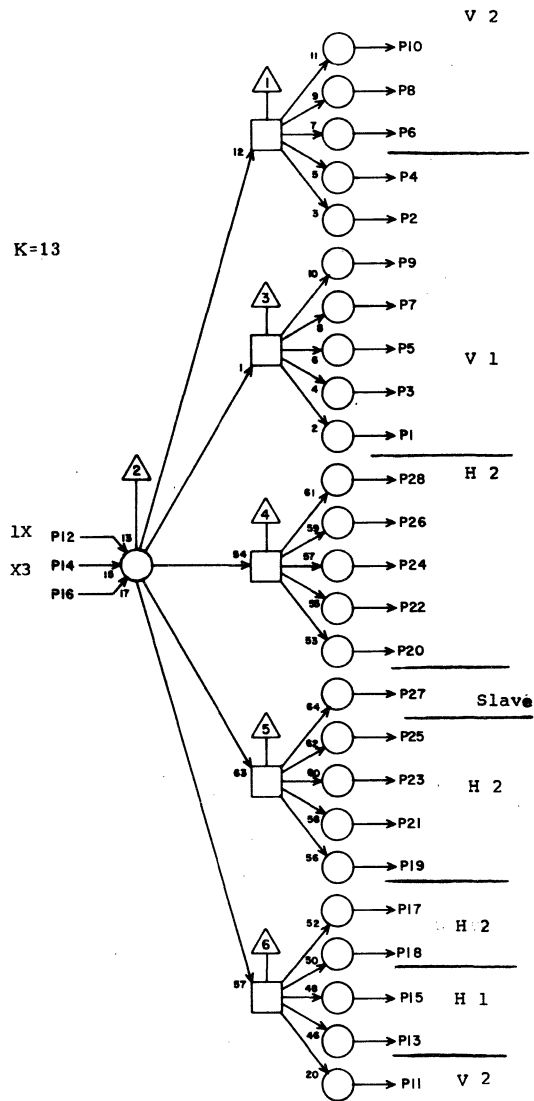


CA 12 A20

1	B31	9	13
2	B36	26	19
3	B32	7	15
4	B37	27	19
5	B34	18	17
6	B39	8	21
7	B35	8	17
8	B40	8	21
9	B36	14	19
10	C15	3	13
11	B29	12	13
12	B10	16	13
13	C40	21	23
14	B16	6	9
15	C40	22	23
16	good	x	2
17	C24	1	11
18	C42	10	25
19	C31	18	17
20	C25	7	13
21	C32	7	17
22	C26	11	13
23	D34	4	19
24	C30	4	15
25			
26	D31	22	19
27			
28	D30	15	17

JACK PIN LG

63016700 Rev. F

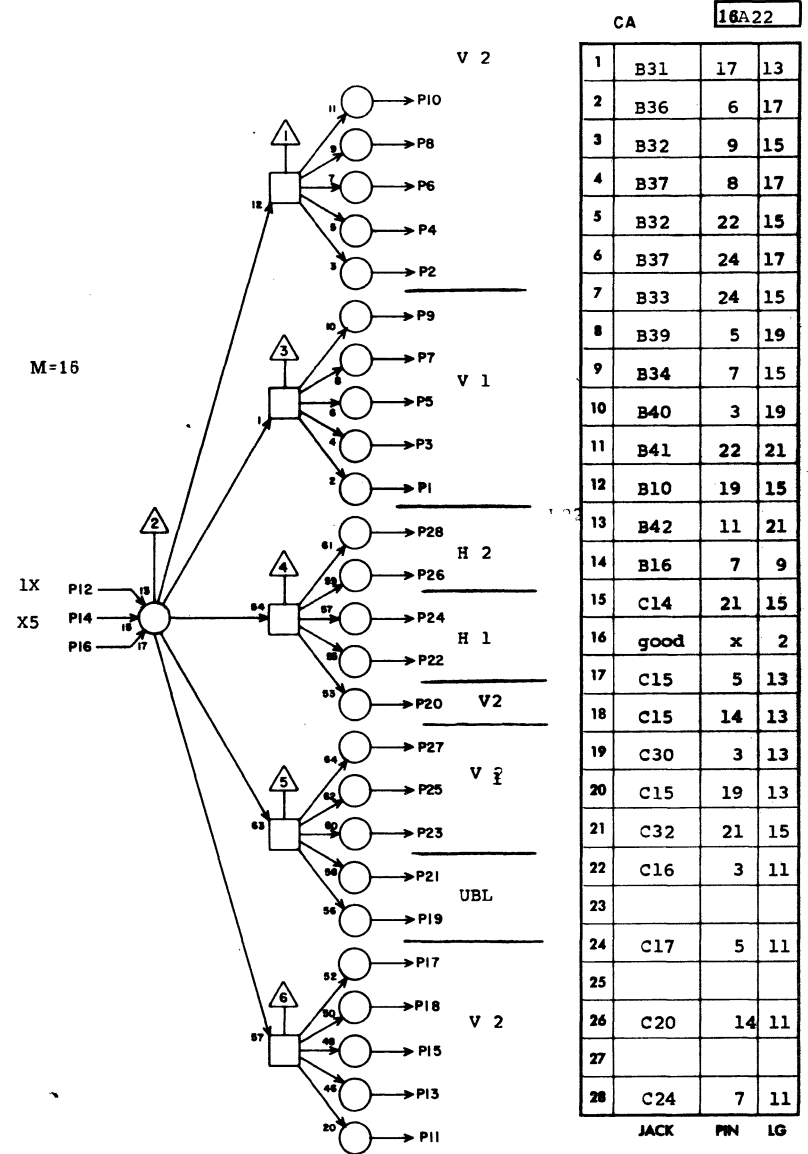


CA 12A21

1	B31	11	13
2	B35	10	17
3	B33	22	15
4	C38	3	21
5	B34	5	15
6	B36	10	17
7	B34	21	17
8	B37	12	19
9	B34	20	17
10	B37	20	19
11	B39	1	19
12	B10	22	15
13	C16	20	13
14	B14	4	11
15	D26	12	17
16	good	x	2
17	C22	14	11
18	C19	26	13
19	C28	11	13
20	C23	14	11
21	C29	5	13
22	C24	3	11
23	C29	18	13
24	C25	9	11
25	D30	9	17
26	C26	17	13
27	B25	3	7
28	C27	19	13

JACK PIN LG

63016700 Rev. F



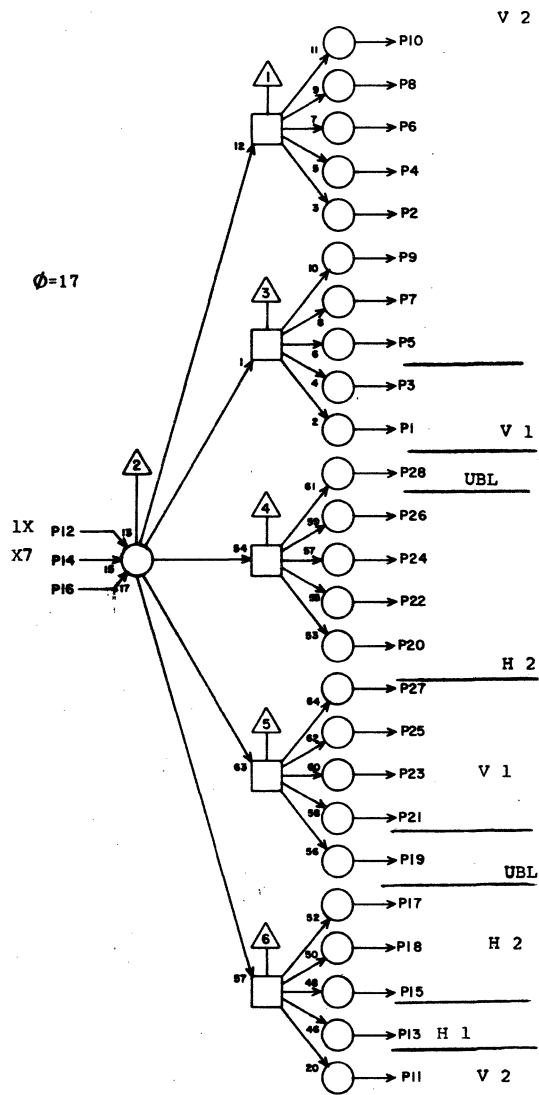
CA 16A22

1	B31	17	13
2	B36	6	17
3	B32	9	15
4	B37	8	17
5	B32	22	15
6	B37	24	17
7	B33	24	15
8	B39	5	19
9	B34	7	15
10	B40	3	19
11	B41	22	21
12	B10	19	15
13	B42	11	21
14	B16	7	9
15	C14	21	15
16	good	x	2
17	C15	5	13
18	C15	14	13
19	C30	3	13
20	C15	19	13
21	C32	21	15
22	C16	3	11
23			
24	C17	5	11
25			
26	C20	14	11
27			
28	C24	7	11

JACK PIN LG

63016700 Rev. F

12A22

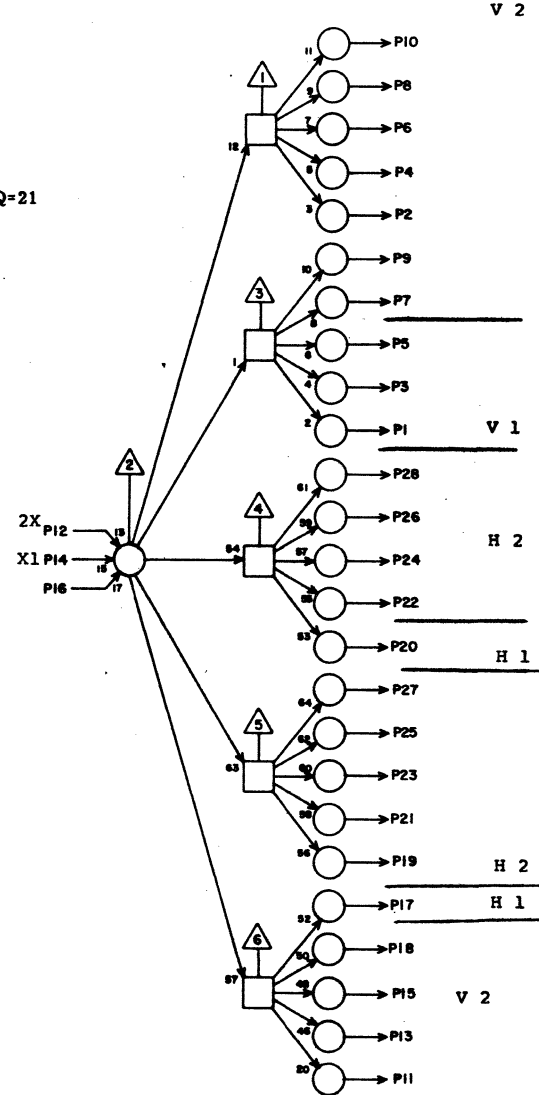


CA 12A23

JACK	PIN	LG
1	B31	21 13
2	B39	9 19
3	B33	9 13
4	B40	7 19
5	C33	13 19
6	B41	6 19
7	B37	4 17
8	B41	26 21
9	B38	14 17
10	B42	19 21
11	C14	6 15
12	B10	24 17
13	C16	5 13
14	B15	20 13
15	C18	23 13
16	good	x 2
17	C20	10 11
18	C19	1 11
19	D33	12 17
20	C22	10 11
21		
22	C23	10 11
23		
24	C24	9 11
25		
26	C25	17 11
27		
28	C30	19 13

63016700 Rev. F

Q=21

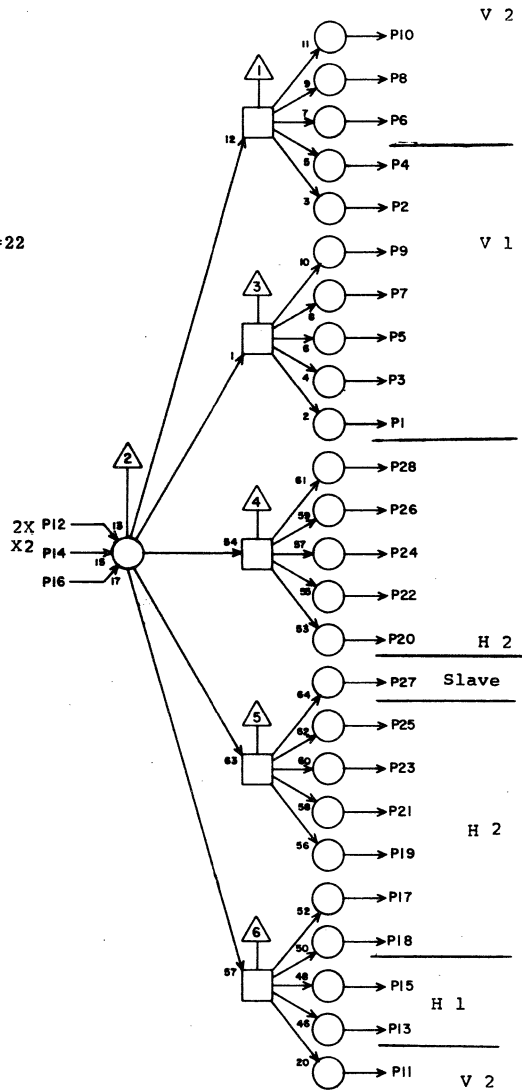


CA 12A24

JACK	PIN	LG
1	B32	11 13
2	B40	9 19
3	B34	9 13
4	B41	4 19
5	C36	17 17
6	B42	14 19
7	B38	10 17
8	B42	21 21
9	B39	17 17
10	C14	4 15
11	C14	25 15
12	B11	4 15
13	C15	10 15
14	B13	6 15
15	C15	7 15
16	good	x 2
17	C15	18 15
18	B29	10 11
19	C20	6 11
20	C16	24 15
21	C22	6 11
22	C17	22 13
23	C23	6 9
24	C18	10 13
25	C24	17 11
26	C18	25 13
27	C25	21 11
28	C19	3 11

63016700 Rev. F

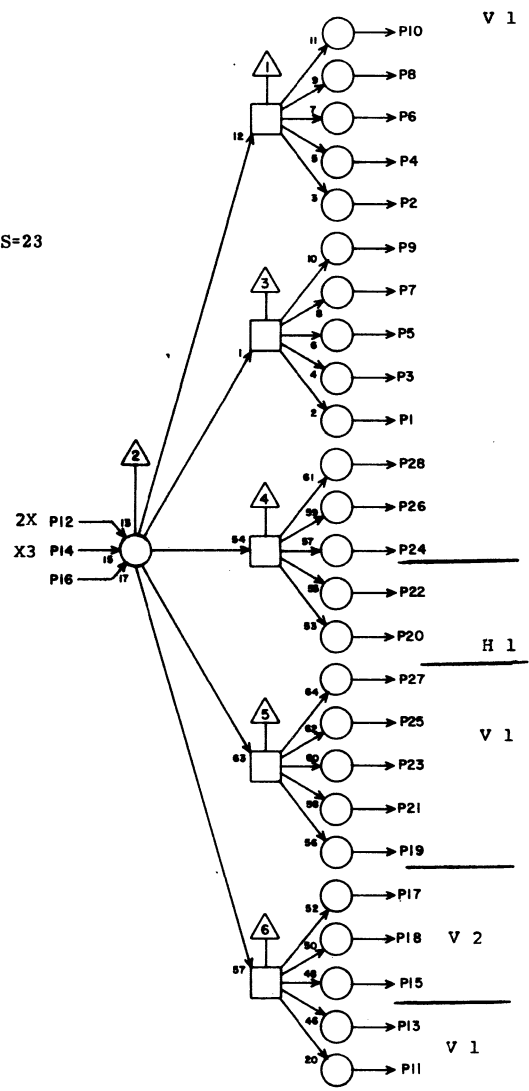
R=22



CA			
12A25			
JACK	PIN	LG	
1	B31	25	13
2	B35	12	15
3	B32	26	13
4	C38	5	17
5	B33	17	13
6	B36	3	15
7	B34	4	13
8	B37	3	15
9	B34	22	13
10	B38	8	15
11	B39	19	17
12	B11	9	17
13	C16	26	15
14	B13	22	15
15	D26	10	15
16	good	x	2
17	C22	4	11
18	C20	4	11
19	C28	17	13
20	C23	4	11
21	C29	9	13
22	C24	19	13
23	C29	20	13
24	C25	23	13
25	D30	7	15
26	C26	23	13
27	B26	1	5
28	C27	25	13

63016700 Rev. F

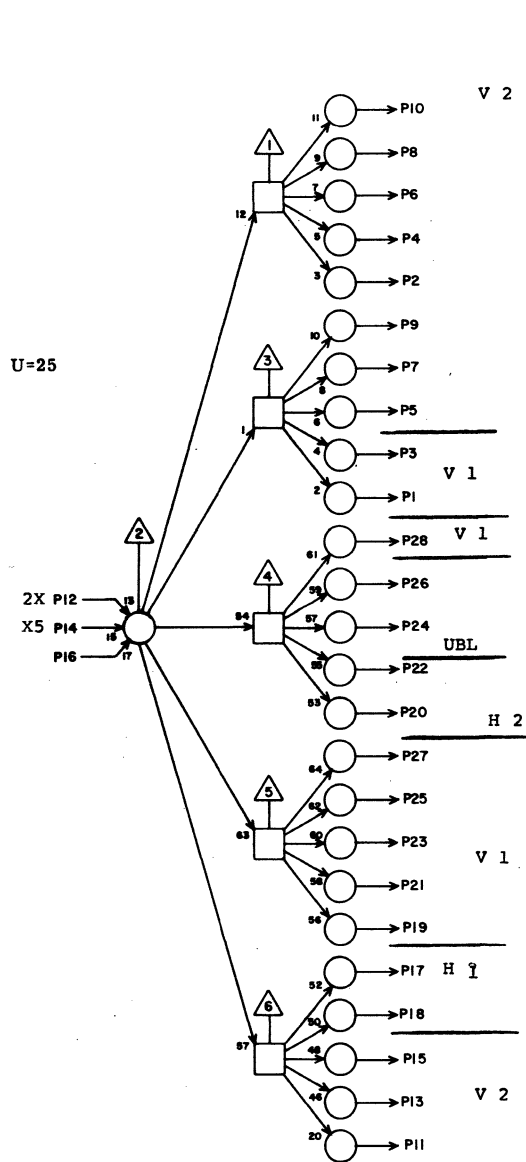
S=23



CA			
12A26			
JACK	PIN	LG	
1	B30	4	9
2	B32	6	11
3	B30	5	9
4	B32	17	13
5	B30	19	9
6	B33	19	13
7	B30	26	11
8	B34	6	13
9	B31	27	11
10	B34	11	13
11	B34	23	13
12	B11	11	17
13	C36	19	15
14	B14	6	15
15	B36	5	13
16	good	x	2
17	C15	8	17
18	B38	6	15
19	C20	1	13
20	C16	12	15
21	C22	1	11
22	C17	7	13
23	C23	1	11
24	C18	8	13
25	C24	21	13
26	C18	27	15
27	C25	25	13
28	C19	5	13

63016700 Rev. F

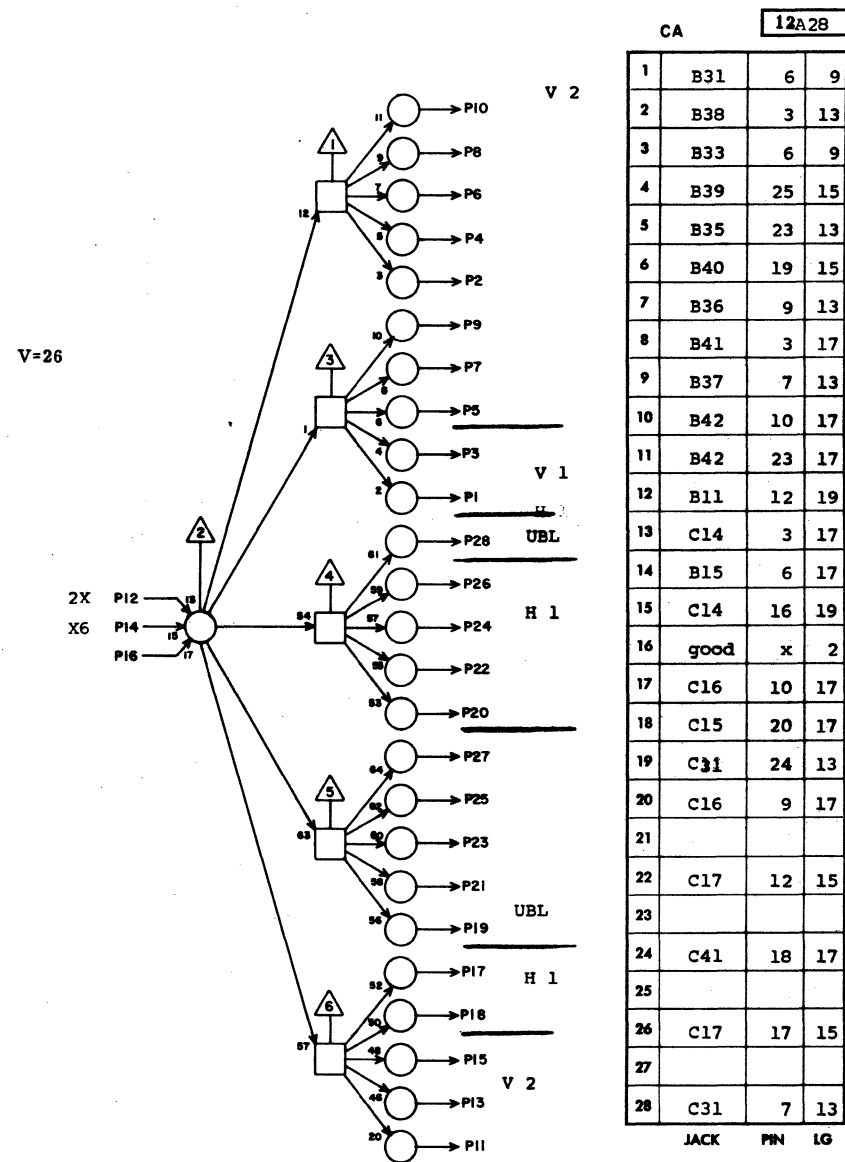
12A26



CA 12A27

	JACK	PIN	IG
1	B31	4	9
2	B38	1	15
3	B33	4	11
4	B39	23	17
5	B35	21	13
6	B40	17	17
7	B36	7	13
8	B41	1	17
9	B37	5	13
10	B42	12	17
11	C14	1	17
12	B11	10	19
13	C14	27	17
14	B16	9	13
15	C15	6	17
16	good	x	2
17	C17	11	15
18	C16	7	15
19			
20	C23	5	11
21			
22	C24	23	13
23			
24	C31	5	11
25			
26	C32	4	11
27			
28			

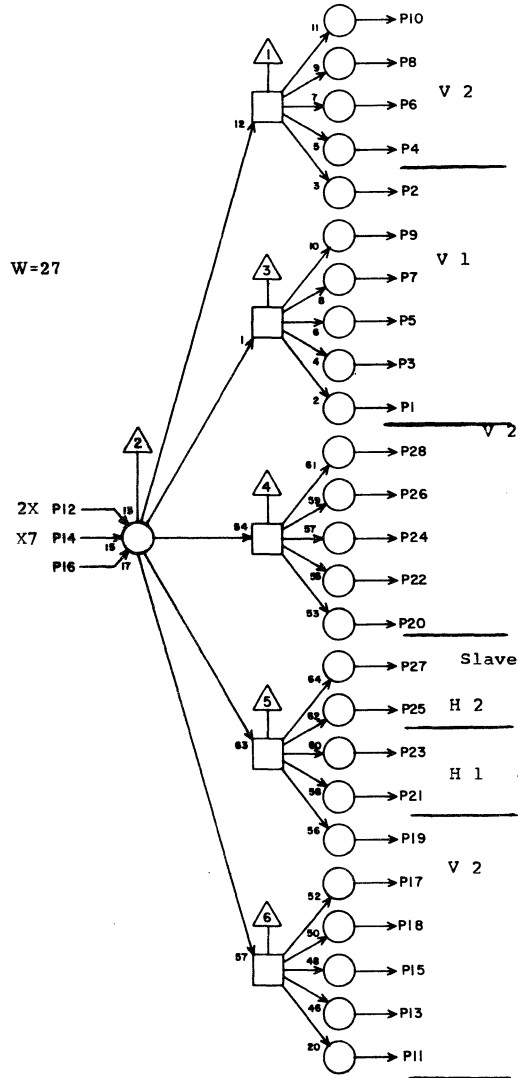
63016700 Rev. F



CA 12A28

	JACK	PIN	IG
1	B31	6	9
2	B38	3	13
3	B33	6	9
4	B39	25	15
5	B35	23	13
6	B40	19	15
7	B36	9	13
8	B41	3	17
9	B37	7	13
10	B42	10	17
11	B42	23	17
12	B11	12	19
13	C14	3	17
14	B15	6	17
15	C14	16	19
16	good	x	2
17	C16	10	17
18	C15	20	17
19	C31	24	13
20	C16	9	17
21			
22	C17	12	15
23			
24	C41	18	17
25			
26	C17	17	15
27			
28	C31	7	13

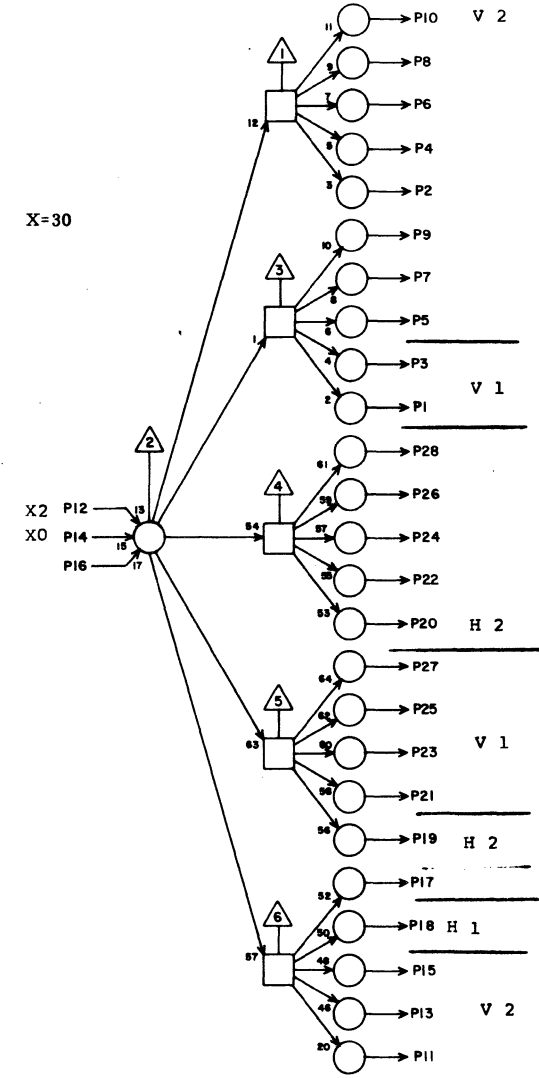
63016700 Rev. F



CA 12A29

		JACK	PIN	LG
1	B31	8	9	
2	B34	24	13	
3	B33	8	9	
4	B35	25	13	
5	B34	8	11	
6	B36	11	13	
7	C36	18	15	
8	B37	9	13	
9	C36	21	15	
10	B38	5	13	
11	B39	27	15	
12	B11	14	19	
13	B40	21	15	
14	B15	22	17	
15	B41	5	15	
16	Good	x	2	
17	B42	25	17	
18	B42	8	17	
19	C40	24	17	
20	C14	18	19	
21	C41	20	17	
22	C15	4	17	
23	D26	8	15	
24	C15	23	17	
25	C24	25	13	
26	C40	17	15	
27	B26	28	9	
28	C40	23	17	

63016700 Rev. F

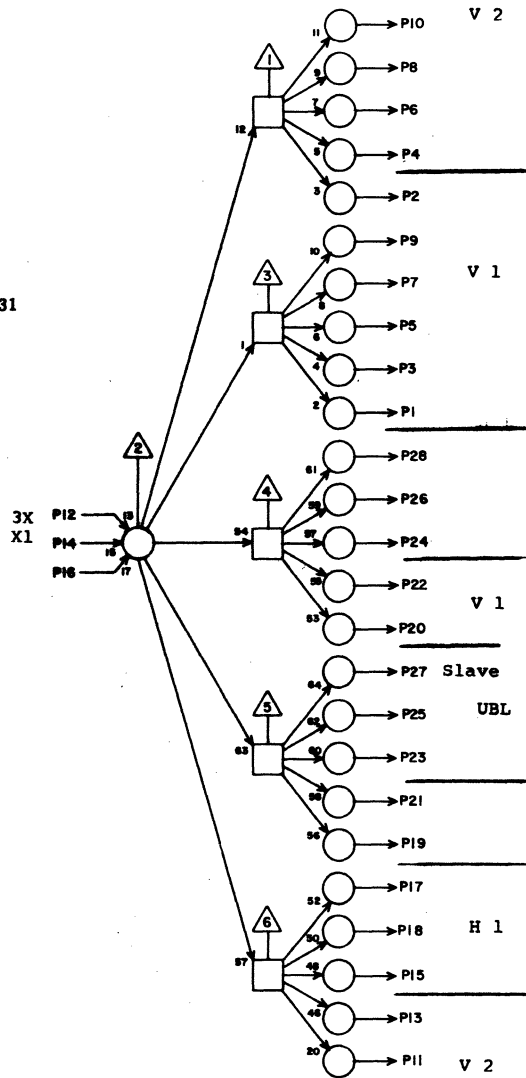


CA 12A30

		JACK	PIN	LG
1	B31	16	9	
2	B39	16	13	
3	B33	21	9	
4	B40	23	15	
5	B36	17	11	
6	B41	7	15	
7	B37	11	13	
8	B42	6	15	
9	B38	7	13	
10	B42	27	17	
11	C14	5	19	
12	B11	16	21	
13	C14	20	21	
14	B16	10	17	
15	C41	12	17	
16	good	x	2	
17	D26	20	17	
18	C15	22	19	
19	C27	20	13	
20	C18	6	17	
21	C30	11	11	
22	C18	16	17	
23	D31	26	15	
24	C19	7	15	
25	C31	25	13	
26	C25	16	13	
27	D32	23	15	
28	C26	16	13	

63016700 Rev. F

Y=31

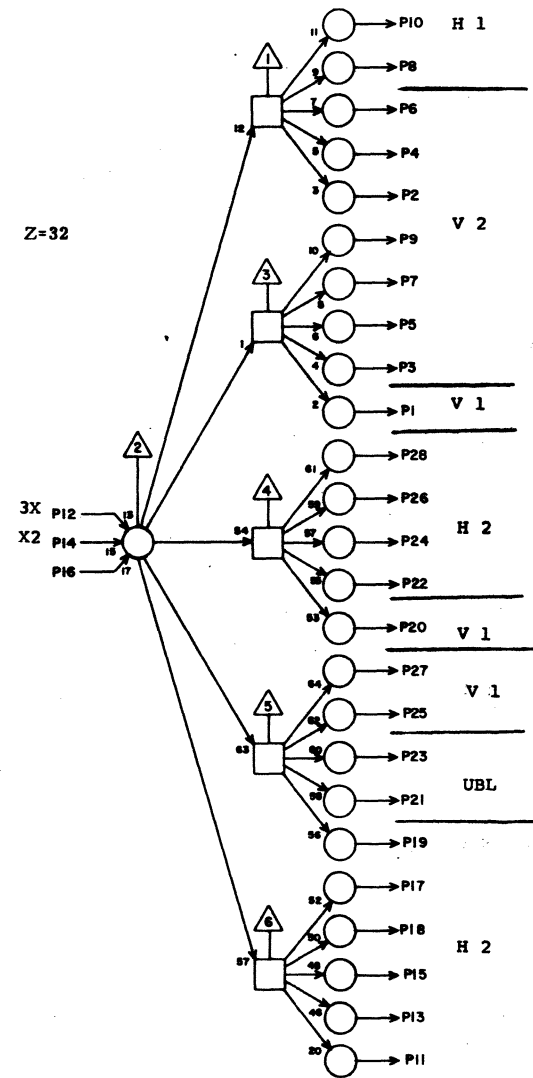


CA 12 A31

	JACK	PIN	LG
1	B31	18	9
2	B34	26	11
3	B33	10	9
4	B38	9	13
5	B33	23	9
6	B41	9	13
7	C36	20	13
8	B42	16	15
9	B34	25	9
10	C14	7	21
11	C41	10	17
12	B11	18	23
13	C15	9	19
14	B13	11	19
15	C41	9	17
16	good	x	2
17	C17	10	19
18	C16	27	19
19	C25	18	13
20	C17	19	19
21	C28	23	13
22	D27	1	15
23	C31	8	11
24	C17	26	19
25	D32	1	13
26	C22	3	13
27	B25	26	11
28	C24	27	15

63016700 Rev. F

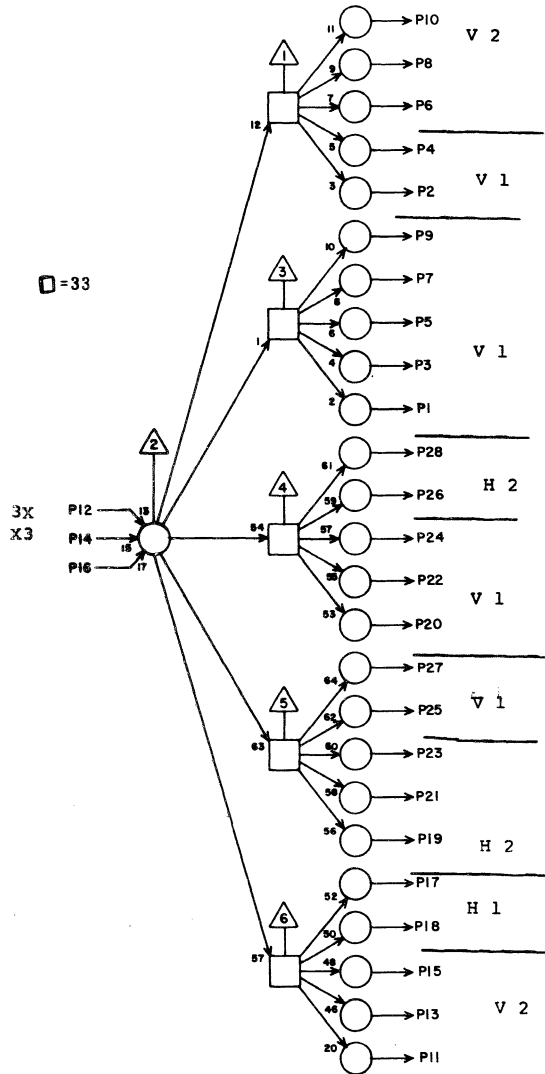
Z=32



CA 12 A32

	JACK	PIN	LG
1	B31	10	9
2	B42	18	15
3	B35	27	11
4	C14	9	21
5	B36	19	11
6	C14	22	21
7	C33	3	13
8	D25	4	17
9	B38	11	11
10	C41	17	15
11	C19	9	17
12	B11	20	23
13	C20	3	17
14	B13	17	21
15	C22	5	15
16	good	x	2
17	C24	16	15
18	C23	7	15
19	C29	22	13
20	C25	20	13
21	C31	11	11
22	C26	18	13
23	B29	1	9
24	C27	22	13
25			
26	C28	25	13
27			
28	C29	11	11

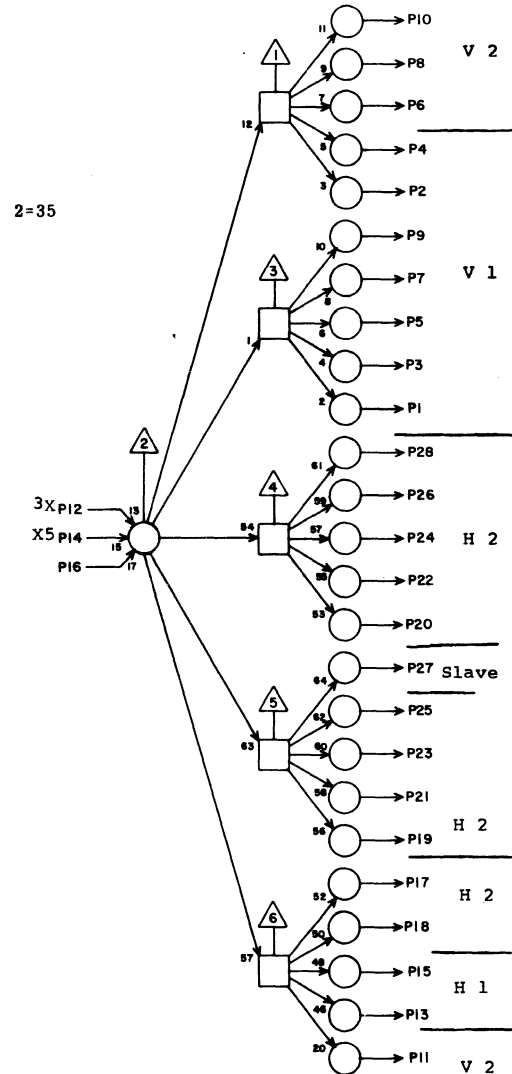
63016700 Rev. F



CA 12A33

JACK	PIN	LG
1	B30	6 9
2	B34	27 11
3	B31	20 9
4	C37	12 13
5	B32	8 7
6	C37	24 13
7	B33	12 7
8	B38	17 13
9	C36	22 13
10	B40	25 13
11	B42	20 13
12	B11	22 23
13	C14	11 21
14	B14	11 21
15	C41	8 13
16	good	x 2
17	D25	6 17
18	C15	24 21
19	C24	18 15
20	C17	8 19
21	C27	24 13
22	C17	21 19
23	C28	27 13
24	D27	3 15
25	C30	25 13
26	C20	5 17
27	C32	27 13
28	C22	7 15

63016700 Rev. F



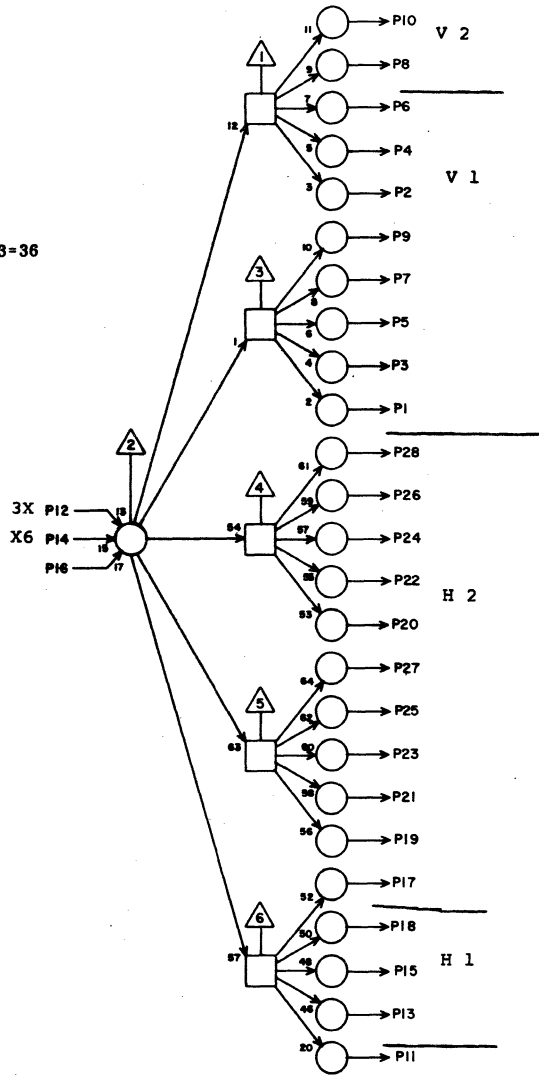
CA 12A34

JACK	PIN	LG
1	C34	14 13
2	B33	25 9
3	B31	22 11
4	B34	10 7
5	B32	10 9
6	C33	7 15
7	B32	21 9
8	C37	9 13
9	C35	19 13
10	B40	16 11
11	C14	24 23
12	B11	19 23
13	D25	8 17
14	B16	11 19
15	C41	19 15
16	Good	x 2
17	C20	7 17
18	C19	11 19
19	C27	26 15
20	C22	9 17
21	C28	16 13
22	C23	11 15
23	C29	17 13
24	C24	20 15
25	C29	24 13
26	C25	22 15
27	B25	25 13
28	C26	20 13

63016700 Rev. F

12A34

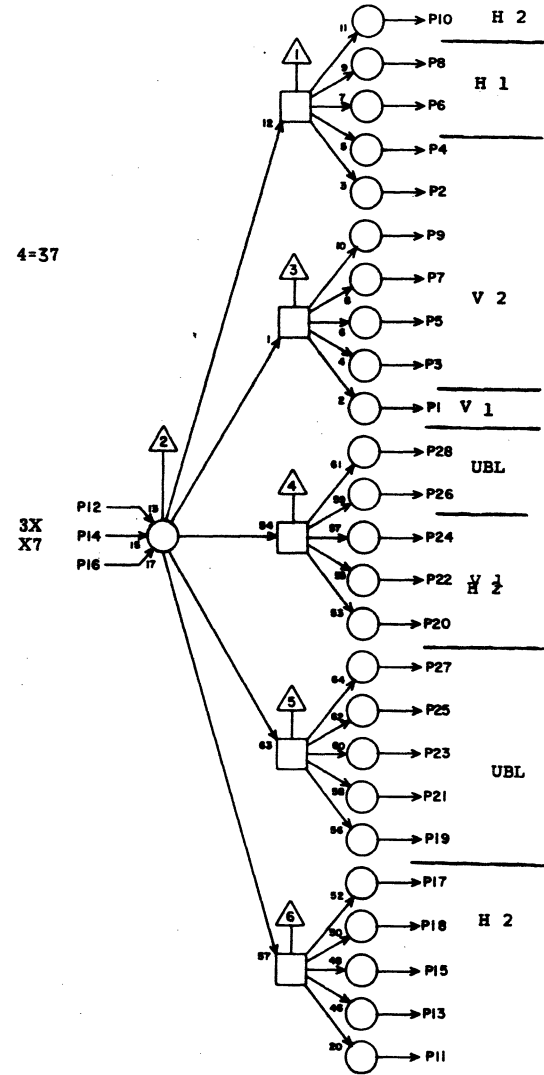
3=36



CA		12A35	
JACK	PIN	LG	
1	B30	8	11
2	B32	23	9
3	B30	7	9
4	B34	12	9
5	B30	23	11
6	C36	24	13
7	B31	12	9
8	B36	23	9
9	B31	24	11
10	B38	21	9
11	B40	18	9
12	B11	21	25
13	C16	8	23
14	B15	9	21
15	C17	6	21
16	good	x	2
17	C18	1	21
18	C41	21	13
19	C24	22	17
20	C18	18	19
21	C25	24	15
22	C19	17	19
23	C26	22	15
24	C20	9	19
25	C28	14	13
26	C22	11	17
27	C28	18	13
28	C23	17	17

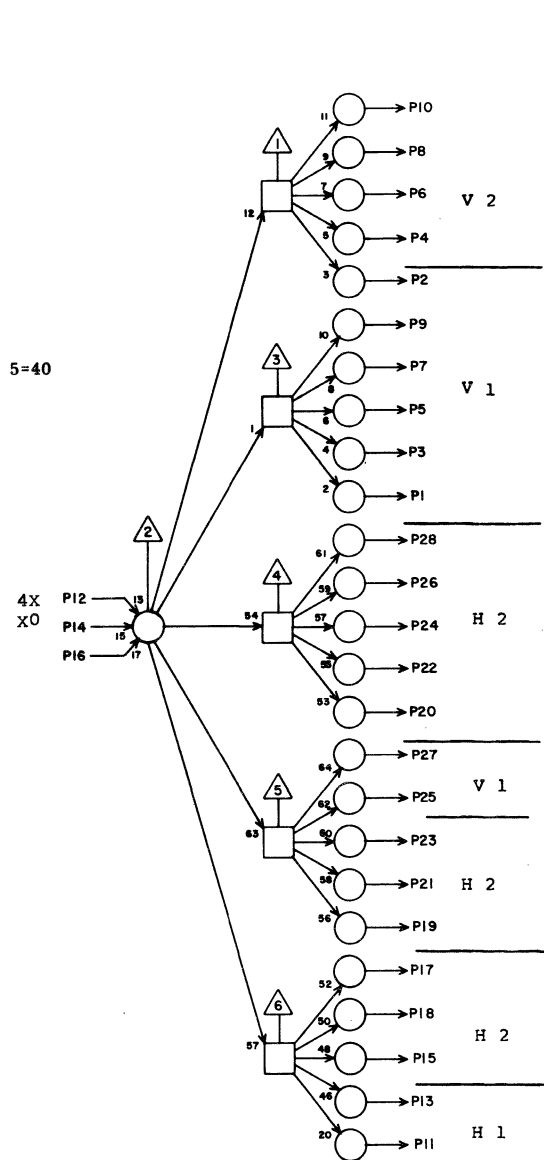
63016700 Rev. F

4=37



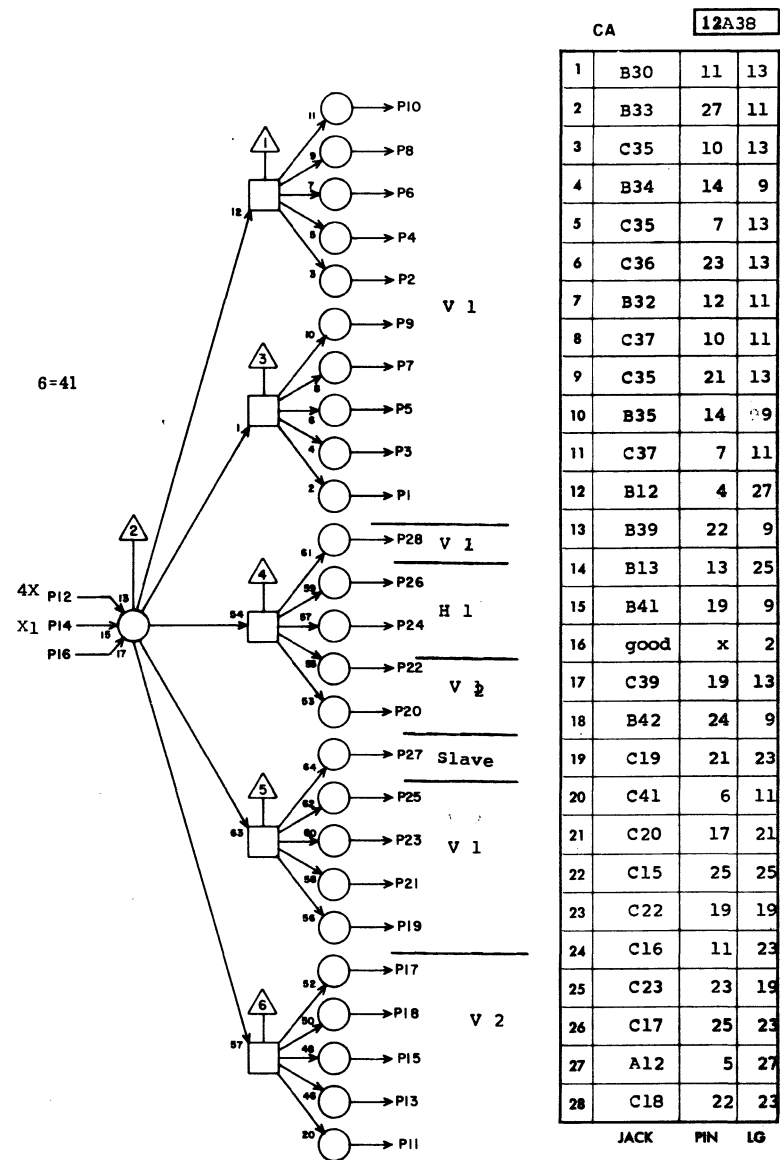
CA		12A36	
JACK	PIN	LG	
1	B32	25	11
2	B42	4	15
3	B38	23	9
4	B42	22	11
5	B39	20	9
6	C42	5	11
7	B40	20	9
8	C41	22	13
9	B41	17	11
10	D33	19	17
11	D26	9	17
12	B11	26	25
13	C18	3	21
14	B15	17	23
15	C23	19	17
16	good	x	2
17	C25	26	17
18	C24	24	17
19			
20	C26	24	15
21			
22	C28	12	13
23			
24	C28	20	15
25			
26	C31	4	11
27			
28	D32	24	15

63016700 Rev. F+



CA		12A37	
JACK	PIN	LG	
1	B30	10	13
2	B32	27	11
3	B30	9	11
4	B36	25	9
5	B30	25	13
6	B38	25	9
7	B31	14	11
8	B40	22	9
9	B31	26	11
10	C14	26	25
11	C16	6	23
12	B12	2	25
13	C17	23	23
14	B16	12	23
15	C18	5	21
16	good	x	2
17	C19	19	21
18	C18	20	23
19	C28	22	15
20	C20	11	19
21	C29	21	15
22	C22	17	19
23	D30	12	15
24	C23	21	19
25	C30	16	13
26	C24	26	17
27	D33	22	15
28	C26	26	15

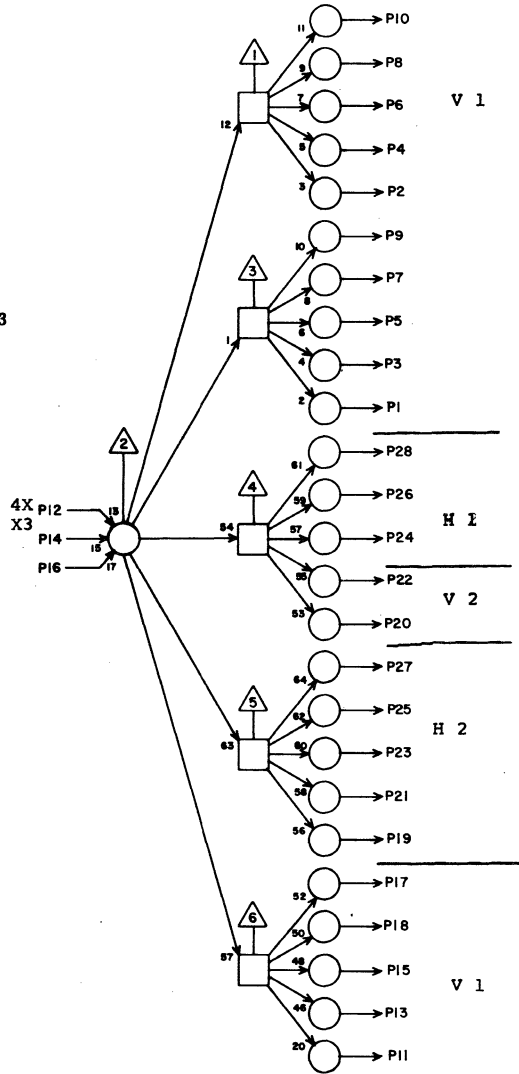
63016700 Rev. F



CA		12A38	
JACK	PIN	LG	
1	B30	11	13
2	B33	27	11
3	C35	10	13
4	B34	14	9
5	C35	7	13
6	C36	23	13
7	B32	12	11
8	C37	10	11
9	C35	21	13
10	B35	14	9
11	C37	7	11
12	B12	4	27
13	B39	22	9
14	B13	13	25
15	B41	19	9
16	good	x	2
17	C39	19	13
18	B42	24	9
19	C19	21	23
20	C41	6	11
21	C20	17	21
22	C15	25	25
23	C22	19	19
24	C16	11	23
25	C23	23	19
26	C17	25	23
27	A12	5	27
28	C18	22	23

63016700 Rev. F

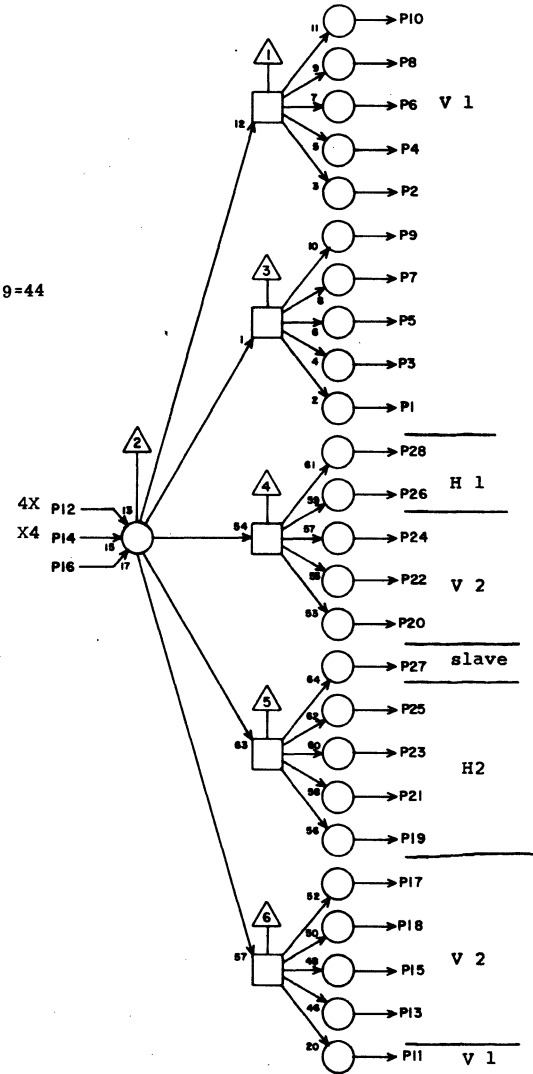
8=43



CA		12A39	
1	B30	12	13
2	C35	23	13
3	C34	4	13
4	C36	26	13
5	C35	8	13
6	C36	9	13
7	C34	17	13
8	C36	10	13
9	C35	20	13
10	C33	10	13
11	C37	8	11
12	B12	9	27
13	C34	24	13
14	B14	13	25
15	C38	4	11
16	good	x	2
17	C38	10	11
18	C38	7	11
19	C18	24	23
20	B42	26	9
21	C19	25	23
22	C40	26	13
23	C20	19	23
24	D25	5	19
25	C22	23	21
26	C17	27	25
27	C23	27	19
28	D27	2	17
	JACK	PIN	LG

63016700 Rev. F

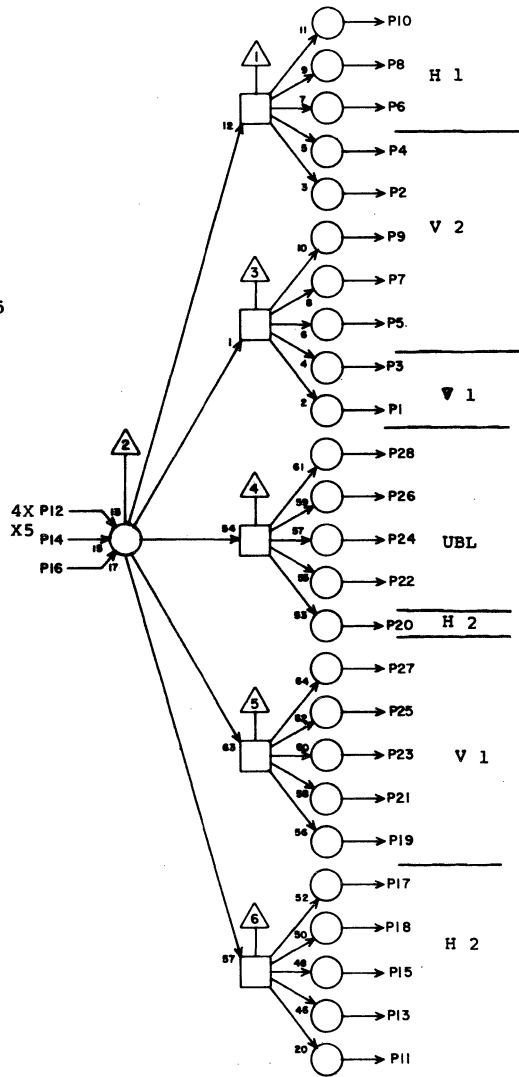
9=44



CA		12A40	
1	B30	14	15
2	C35	5	13
3	C34	12	15
4	C36	8	13
5	C34	6	13
6	C36	7	13
7	C35	6	13
8	C33	8	15
9	C35	25	13
10	C36	25	13
11	C37	6	11
12	B12	13	27
13	B36	27	11
14	B14	17	27
15	B38	16	7
16	good	x	2
17	B41	21	7
18	B40	24	7
19	C18	7	25
20	C39	22	13
21	C18	26	25
22	C39	21	13
23	C19	27	23
24	C15	11	27
25	C20	21	23
26	C42	24	11
27	A12	25	27
28	D25	17	19
	JACK	PIN	LG

63016700 Rev. F

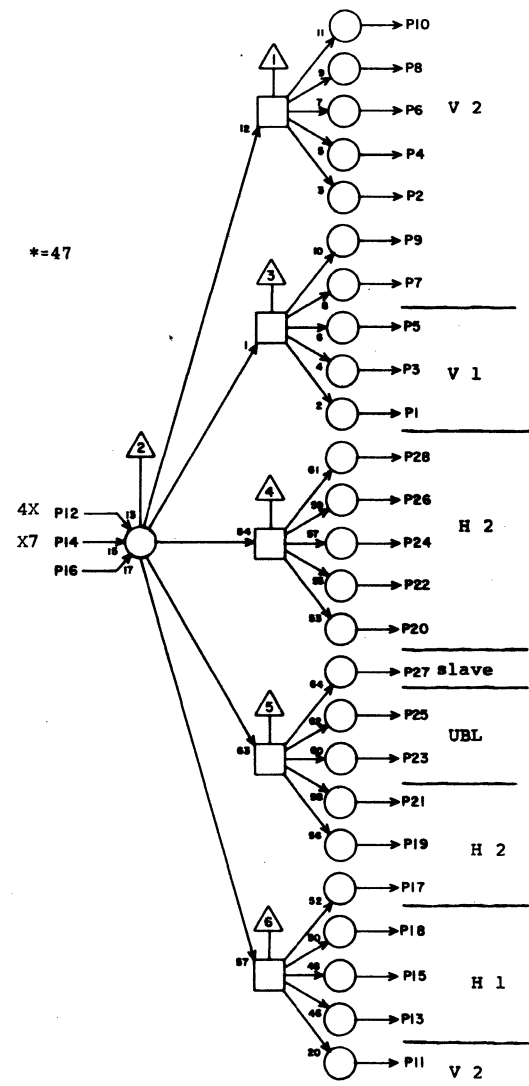
+ = 45



CA 12A41			
JACK	PIN	LG	
1	C35	22	15
2	B41	23	9
3	C36	6	13
4	C38	26	13
5	B38	18	13
6	C41	3	11
7	B39	26	9
8	C17	4	25
9	B40	26	9
10	C41	24	11
11	D33	25	17
12	B12	8	29
13	C23	18	21
14	B16	13	25
15	C26	6	19
16	good	x	2
17	C28	6	17
18	C27	8	17
19			
20	C29	12	17
21			
22	D31	6	17
23			
24	D30	21	19
25			
26	D32	8	17
27			
28	D32	26	17

63016700 Rev. F

* = 47

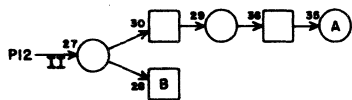
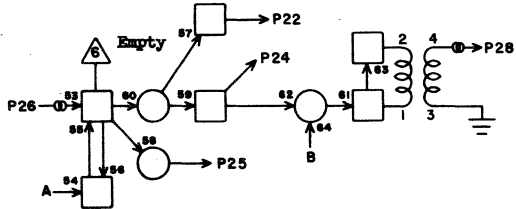
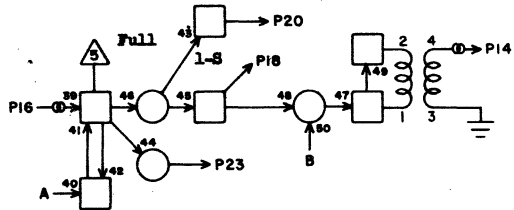
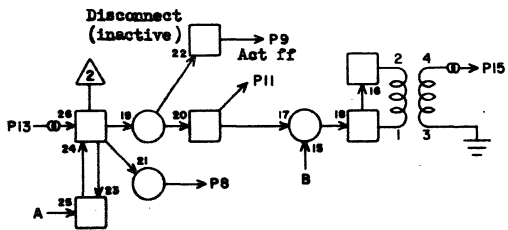
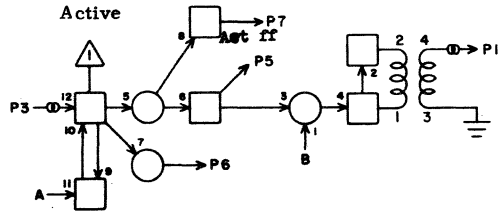


CA 12A42			
JACK	PIN	LG	
1	C34	3	15
2	C39	6	13
3	C35	3	13
4	C39	5	13
5	C36	5	13
6	C40	5	11
7	C37	26	15
8	C39	23	13
9	B38	20	9
10	B29	8	17
11	C15	27	29
12	B12	10	29
13	C41	7	11
14	B15	19	27
15	C15	26	29
16	good	x	2
17	C18	9	25
18	C41	26	13
19	B29	17	17
20	D27	25	21
21	D29	19	19
22	D26	21	21
23	C30	24	17
24	C23	20	21
25	D31	28	19
26	C25	6	19
27	B26	3	19
28	C26	4	19

63016700 Rev. F

12A42

INPUT REGISTER

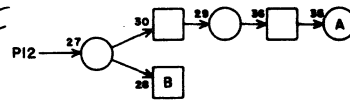
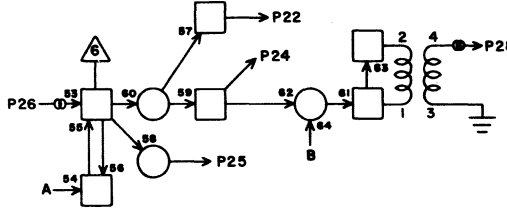
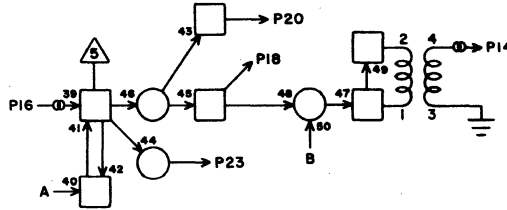
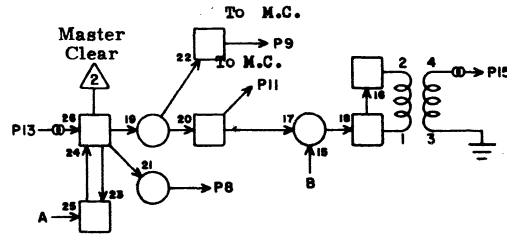
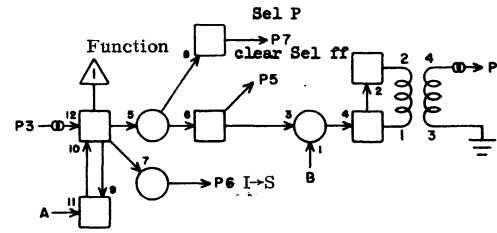


Q1 12B01

1	W3	902	
2			
3	12w1	902	
4			
5	C08	11	11
6			
7			
8			
9			
10			
11	C08	14	11
12	D05	18	13
13	12w1	903	
14	W3	904	
15	W3	903	
16	12w1	904	
17			
18	B04	23	5
19			
20			
21			
22			
23			
24			
25			
26	12w1	905	
27			
28	W3	905	

JACK PIN LG

63016700 Rev. F



Q1 12B02

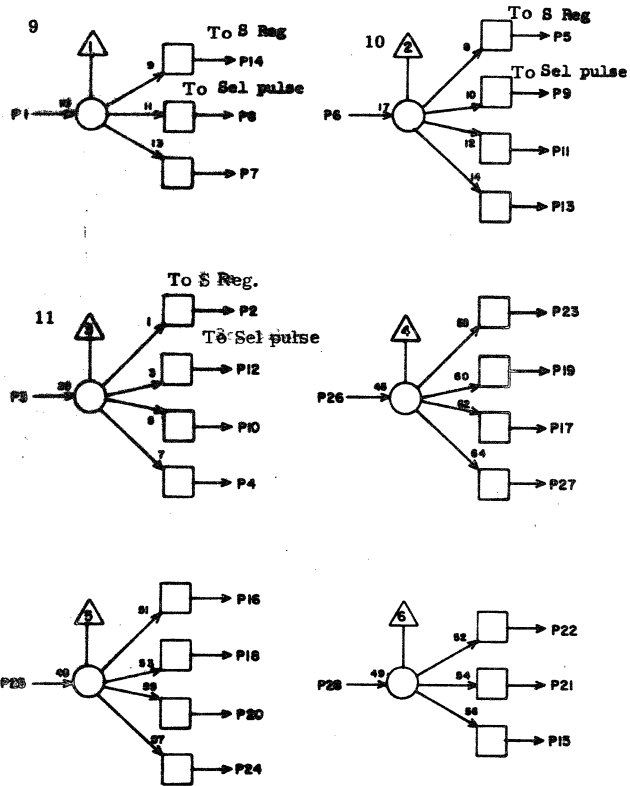
1	W3	906	
2			
3	12w1	906	
4			
5	C03	25	9
6	B04	27	5
7	B04	2	5
8			
9	C10	25	13
10			
11	C13	14	15
12	D05	28	13
13	12w1	907	
14			
15	W3	907	
16			
17			
18			
19			
20			
21			
22			
23			
24			
25			
26			
27			
28			

JACK PIN LG

63016700 Rev. F

12B02

INPUT REGISTER SLAVES



TM

12B03

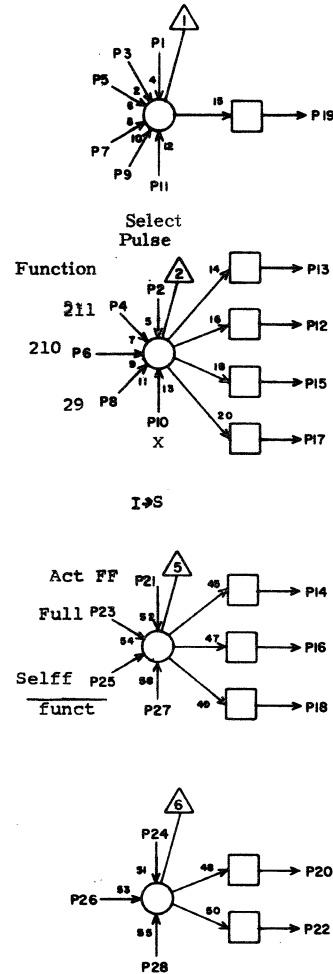
1	A03	11	5
2	A05	24	5
3	A03	24	5
4			
5	A05	25	5
6	A03	18	5
7			
8	B04	8	3
9	B04	6	3
10			
11			
12	B04	4	3
13			
14	A05	18	7
15			
16			
17			
18			
19			
20			
21			
22			
23			
24			
25			
26			
27			
28			

JACK PIN LG

63016700 Rev. F

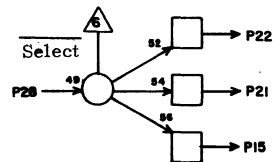
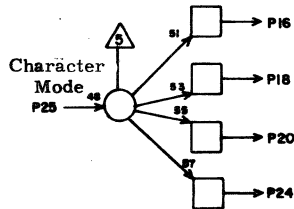
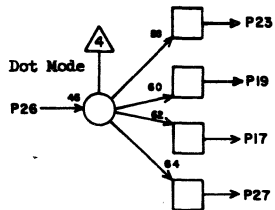
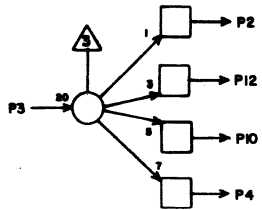
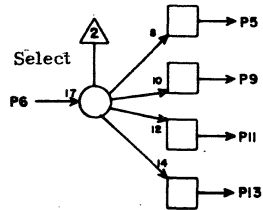
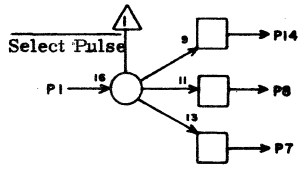
TB

12B04



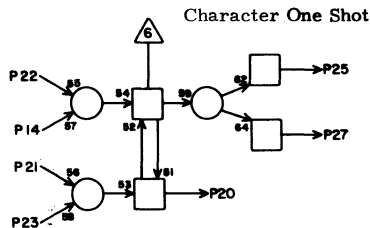
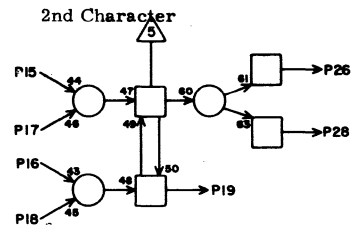
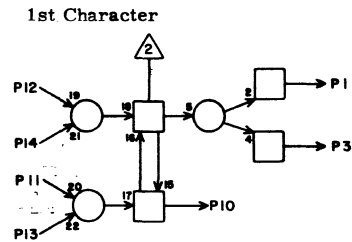
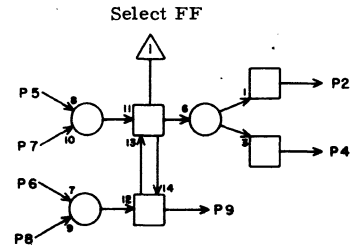
JACK PIN LG

63016700 Rev. F



TH		12B05	
1	B04	17	5
2			
3			
4			
5	B04	25	5
6	B06	2	5
7	E28	15	27
8			
9	E04	15	15
10			
11	E05	15	15
12			
13	E06	15	15
14	B06	5	5
15	E06	14	15
16			
17	C03	6	7
18			
19			
20			
21			
22			
23	C04	15	5
24			
25	A04	13	9
26	A04	14	9
27	C04	4	5
28	B06	9	5

JACK PIN LG
63016700 Rev. F



t24+MC

t27

12B06

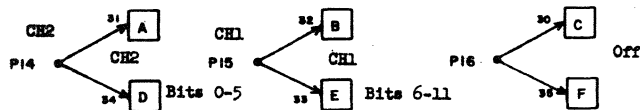
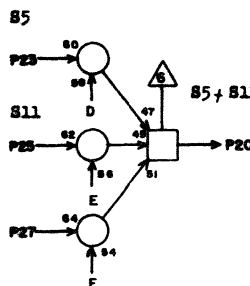
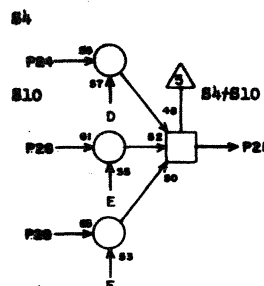
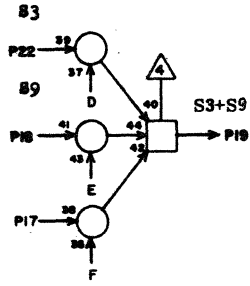
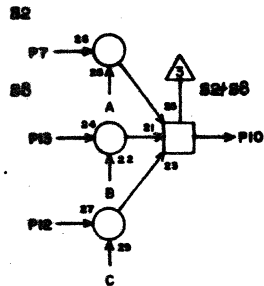
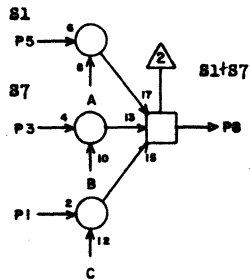
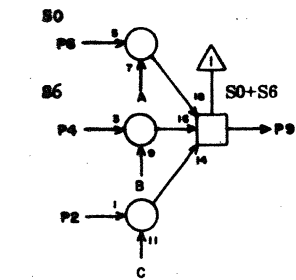
AA 12 B06

1	C03	8	9
2	B05	6	5
3	D02	1	13
4			
5	B05	14	5
6	F12	9	23
7	D04	15	13
8	D05	17	11
9	B05	28	5
10	F07	6	19
11	good	x	2
12	D06	7	11
13	C05	3	5
14	good	x	2
15	F07	2	19
16	good	x	2
17	D17	10	15
18	C05	1	7
19	D09	17	13
20			
21	good	x	2
22	D06	6	9
23	C06	25	7
24	good	x	2
25	C06	8	5
26	D02	28	13
27			
28	C03	21	9

JACK PIN LG

63016700 Rev. F

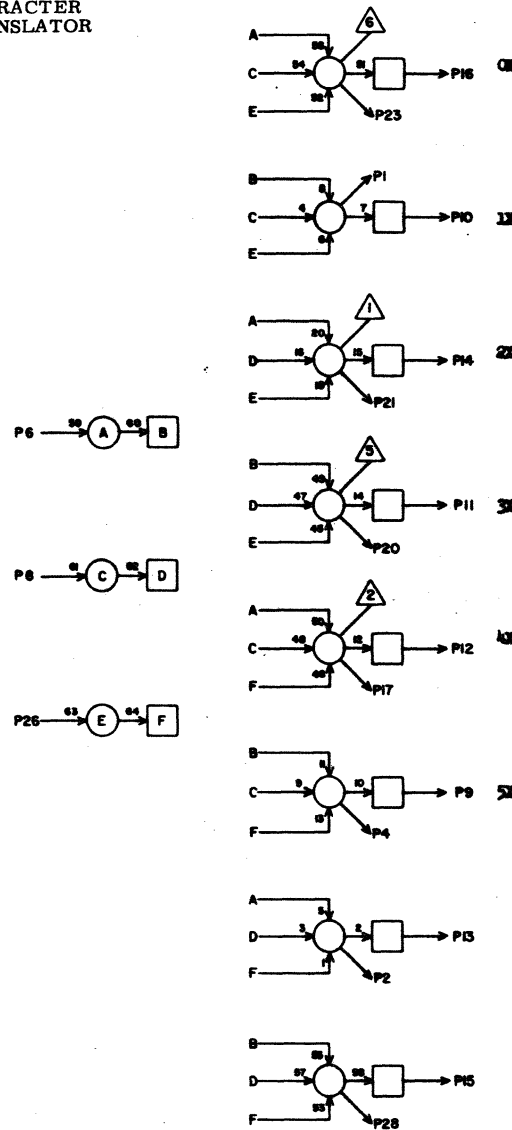
CHARACTER TRANSLATOR NETWORK



TE 12B07

	JACK	PIN	LG
1			
2			
3	A07	11	7
4	A07	7	7
5	A08	11	7
6	A08	7	7
7	A08	10	7
8	B09	8	5
9	B09	6	5
10	B09	26	5
11			
12			
13	A07	10	9
14	C03	19	9
15	C03	12	9
16	GND	X	2
17			
18	A05	17	7
19	B08	6	5
20	B08	26	5
21	B08	8	5
22	A08	17	9
23	A08	15	9
24	A08	20	9
25	A05	23	7
26	A05	26	7
27			
28			

CHARACTER TRANSLATOR

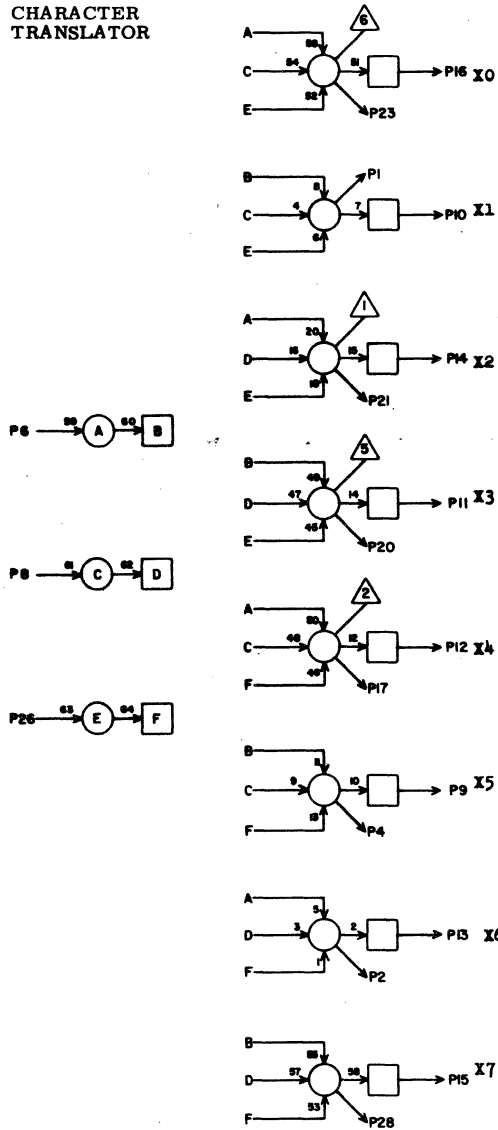


IV 12B08

1			
2			
3			
4			
5			
6	B07	19	5
7			
8	B07	21	5
9	B12	25	7
10	B10	25	5
11	B11	25	5
12	B12	5	7
13			
14	B11	5	7
15			
16	B10	5	5
17			
18			
19			
20			
21			
22			
23			
24			
25			
26	B07	20	5
27			
28			

JACK PIN LG

CHARACTER TRANSLATOR



IV 12B09

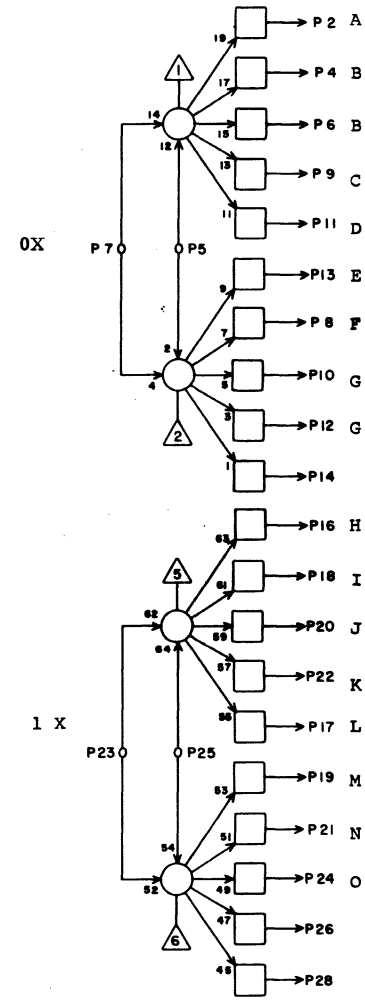
1			
2			
3			
4			
5			
6	B07	9	5
7			
8	B07	8	5
9	B16	2	9
10	B13	5	7
11	B14	5	9
12	B14	25	9
13	B15	5	9
14	B13	25	9
15	B15	25	9
16	B16	1	9
17			
18			
19			
20			
21			
22			
23			
24			
25			
26	B07	10	5
27			
28			

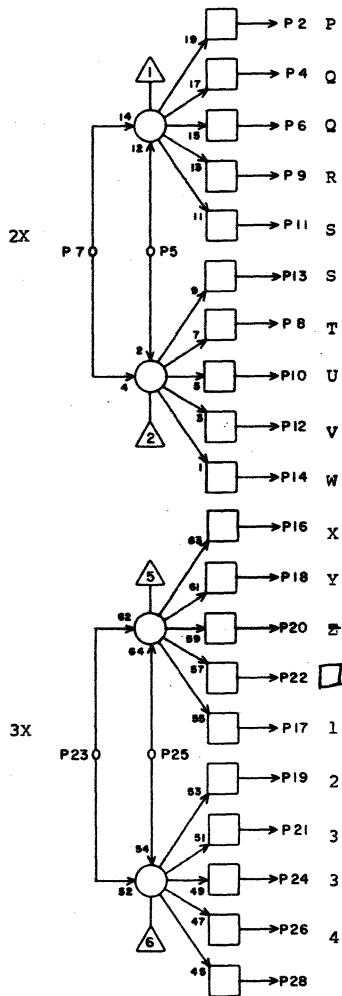
JACK PIN LG

HC 12B10

1			
2	A13	12	7
3			
4	A14	12	7
5	B08	16	5
6	A09	3	9
7	good	x	2
8	A18	12	11
9	A15	12	9
10	A19	12	13
11	A16	12	11
12	B17	7	11
13	A17	12	11
14			
15			
16	A20	12	13
17	B17	16	11
18	A09	14	9
19	A22	12	15
20	A10	3	9
21	B18	16	11
22	A21	12	15
23	good	x	2
24	A23	12	17
25	B08	10	5
26			
27			
28			

JACK PIN LG

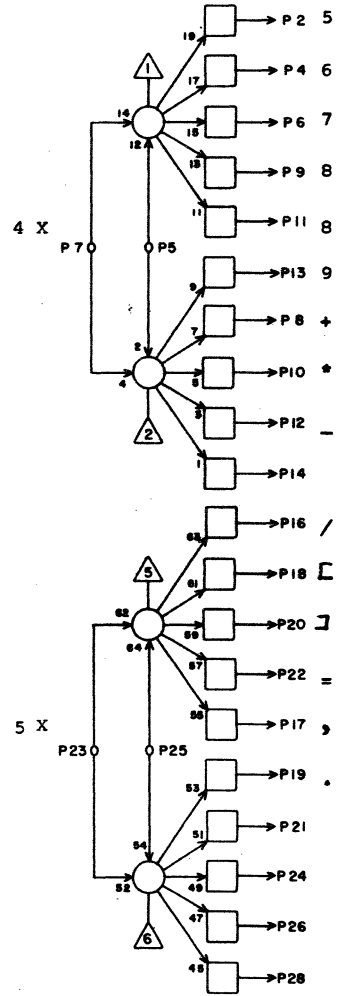




HC 12B 11

1			
2	B19	16	13
3			
4	A24	12	15
5	B08	14	7
6	B18	7	11
7	good	x	2
8	B20	16	13
9	A25	12	17
10	A27	12	19
11	A26	12	17
12	A28	12	19
13	B19	7	13
14	A29	12	19
15			
16	A30	12	21
17	B21	16	13
18	A31	12	23
19	A34	12	23
20	A32	12	23
21	A35	12	25
22	A33	12	23
23	good	x	2
24	B20	7	13
25	B08	11	5
26	A36	12	25
27			
28			

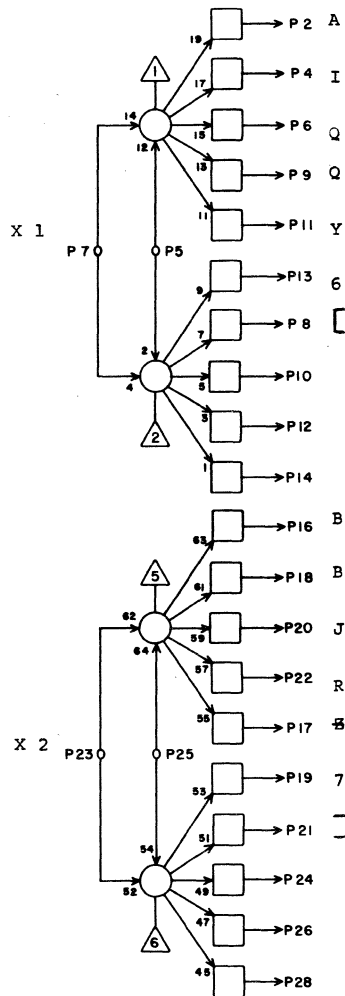
JACK PIN LG



HC 12B 12

1			
2	A37	12	25
3			
4	A38	12	27
5	B08	12	7
6	B22	16	13
7	good	x	2
8	A41	12	29
9	A39	12	27
10	A42	12	29
11	A10	14	9
12	B21	7	13
13	A40	12	27
14			
15			
16	B22	7	13
17	A11	14	9
18	B23	16	13
19	C04	6	13
20	A11	3	9
21			
22	B24	16	15
23	good	x	2
24			
25	B08	9	7
26			
27			
28			

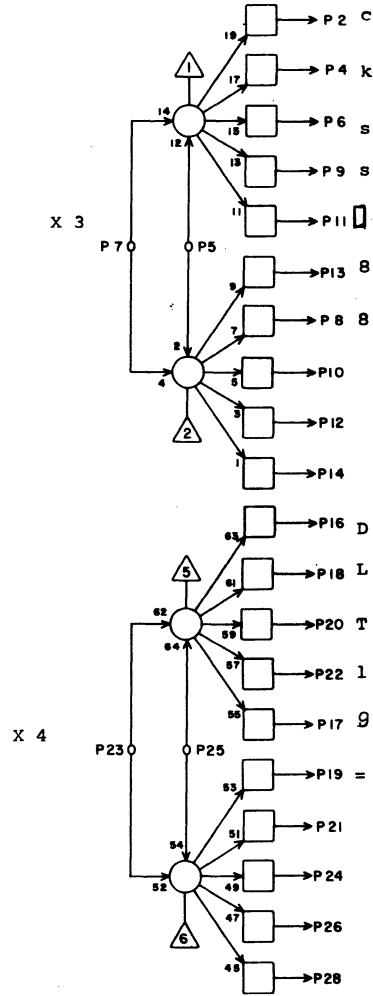
JACK PIN LG



HC 12B 13

1			
2	A13	14	7
3			
4	A09	16	9
5	B09	10	7
6	A24	14	15
7	B13	x	2
8	B23	14	13
9	B18	8	7
10			
11	A31	14	19
12			
13	A38	14	25
14			
15			
16	A14	14	7
17	A32	14	21
18	A09	5	9
19	B22	14	11
20	A10	5	9
21	A11	5	9
22	A25	14	15
23			
24			
25	B09	14	9
26			
27			
28			

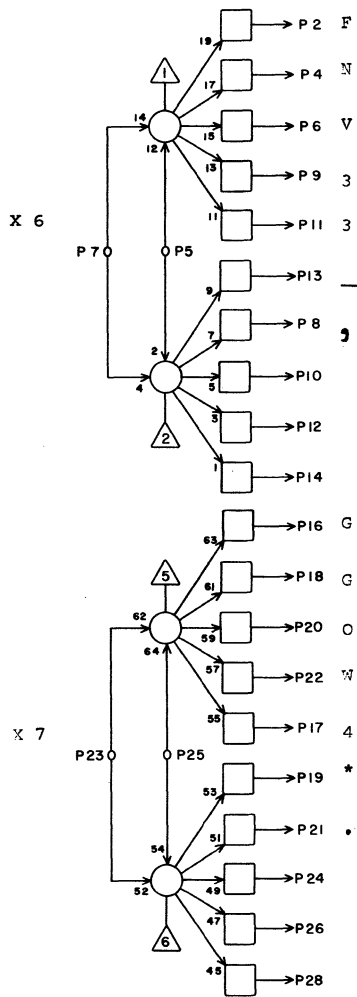
JACK PIN LG



HC 12B 14

1			
2	A15	14	7
3			
4	A21	14	11
5	B09	11	9
6	A26	14	15
7	good	x	2
8	A10	16	9
9	B19	8	7
10			
11	A33	14	21
12			
13	A39	14	25
14			
15			
16	A16	14	7
17	A40	14	27
18	B17	14	5
19	B24	14	13
20	B20	14	9
21			
22	B21	14	11
23	good	x	2
24			
25	B09	12	9
26			
27			
28			

JACK PIN LG

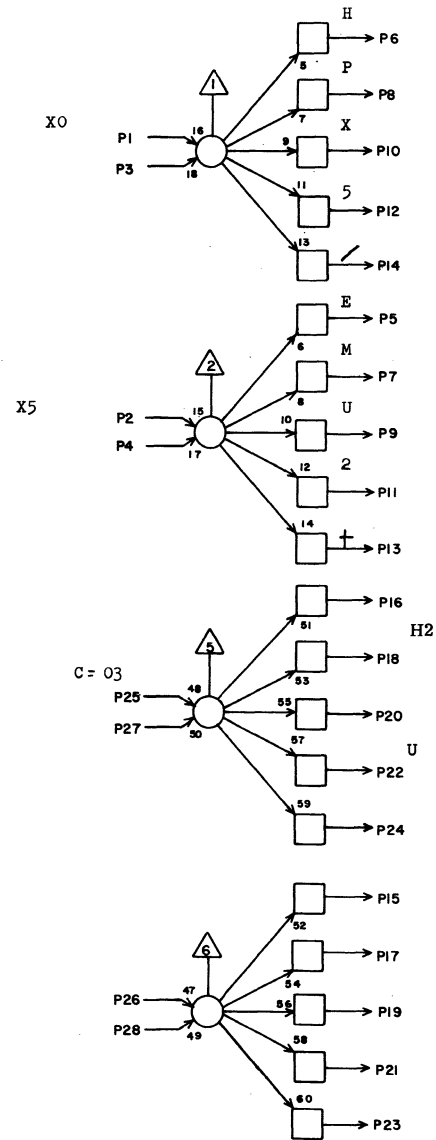


HC 12B 15

1			
2	A18	14	7
3			
4	B18	14	5
5	B09	13	9
6	A28	14	17
7	good	x	2
8	A11	16	9
9	A35	14	21
10			
11	B20	8	7
12			
13	B21	8	9
14			
15			
16	A19	14	9
17	A36	14	23
18	B17	8	5
19	A42	14	27
20	A23	14	13
21	C04	8	15
22	A29	14	17
23	good	x	?
24			
25	B09	15	9
26			
27			
28			

JACK PIN LG

63016700 Rev. F

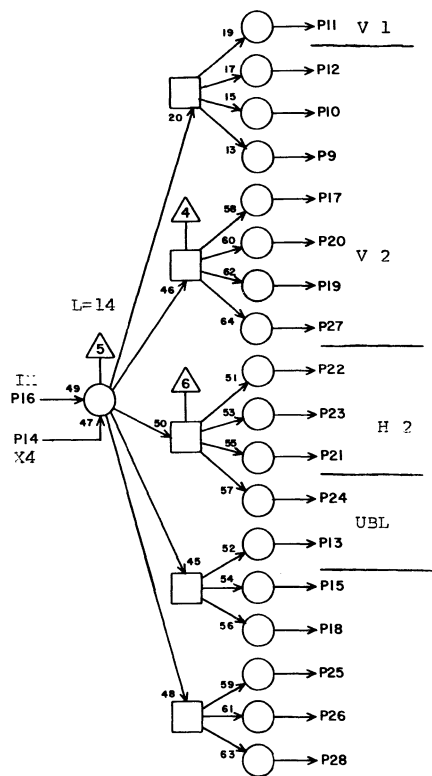
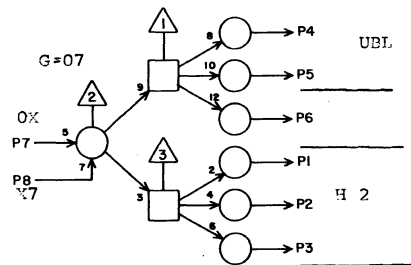


T D 12B16

1	B09	16	9
2	B09	9	9
3	GND	X	2
4	GND	X	2
5	A17	14	5
6	A20	14	9
7	A22	14	9
8	B19	14	5
9	A27	14	13
10	A30	14	17
11	A34	14	19
12	A37	14	23
13	A41	14	25
14	B22	8	9
15			
16	C26	3	15
17			
18	C27	5	15
19			
20	C31	1	17
21			
22	C32	14	19
23			
24			
25	A15	27	7
26			
27			
28			

JACK PIN LG

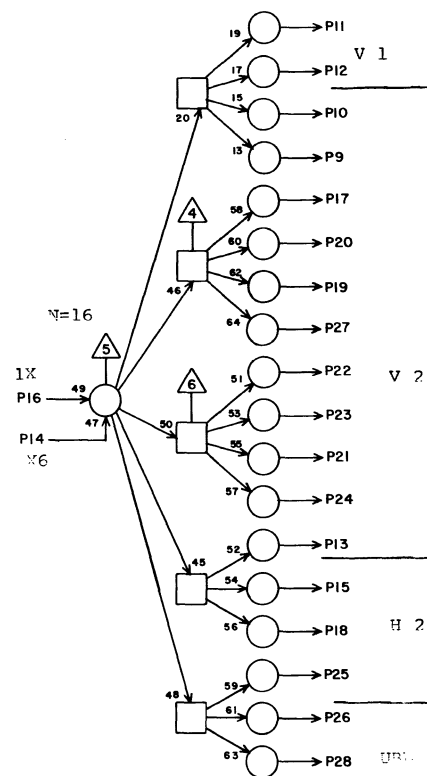
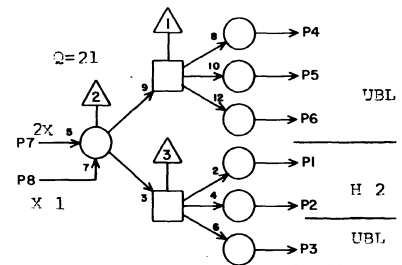
63016700 Rev. F



CB 12B 17

1	C27	17	15
2	C28	9	15
3	C29	3	15
4	C31	14	17
5	C32	19	17
6			
7	B10	12	11
8	B15	18	5
9	B37	10	21
10	B35	17	21
11	B30	24	17
12	B36	8	21
13	C31	20	17
14	B14	18	5
15			
16	B10	17	11
17	B37	22	21
18			
19	B40	1	23
20	B39	3	23
21	C26	19	13
22	C24	5	11
23	C25	11	13
24	C31	3	17
25			
26			
27	B41	10	25
28			

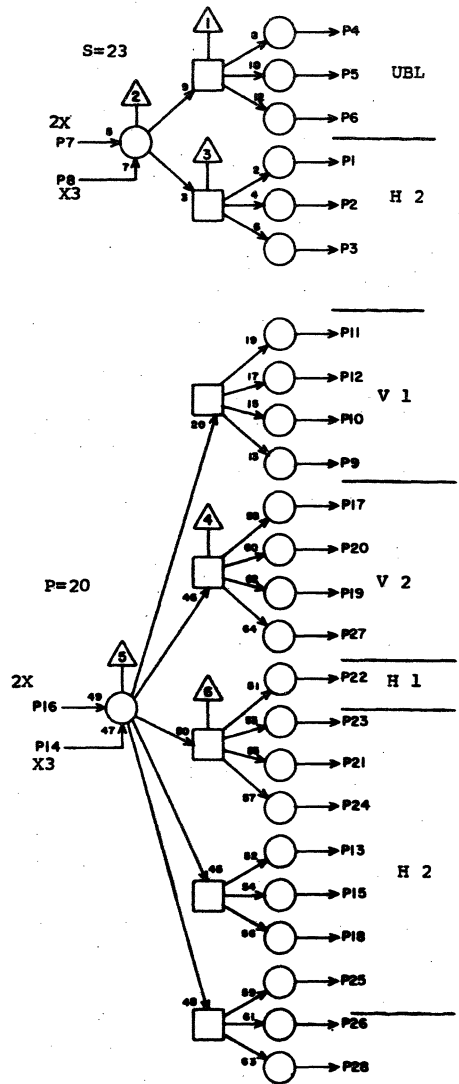
JACK PIN LG



CB 12B 18

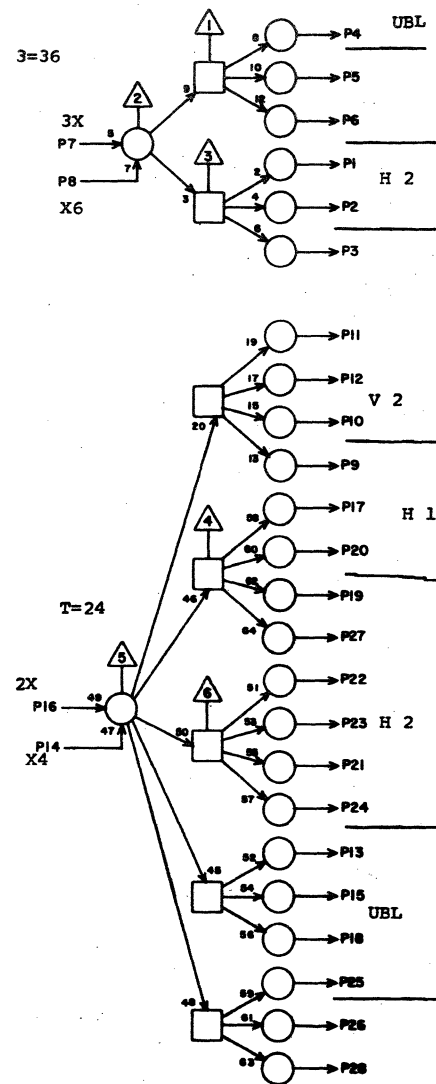
1	C27	23	15
2	B29	19	15
3	C30	21	17
4	B33	10	19
5	C32	10	17
6	B29	5	17
7	B11	6	11
8	B13	9	7
9	B37	6	21
10	B36	4	21
11	B31	19	17
12	B33	7	17
13	C15	12	9
14	B15	4	5
15	C20	12	7
16	B10	21	11
17	B37	26	21
18	C22	12	9
19	B40	5	23
20	B39	7	23
21	C14	8	9
22	B41	24	23
23	B42	17	25
24	C14	23	11
25	C23	12	9
26	C30	5	15
27	B41	8	23
28	C32	8	17

JACK PIN LG



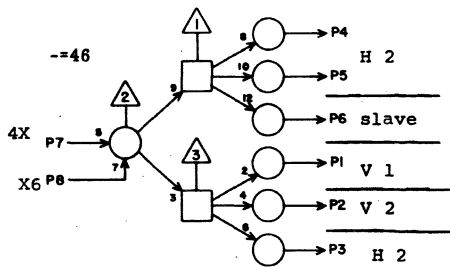
CB 12B 19

	JACK	PN	LG
1	C26	25	15
2	C27	27	15
3	C28	19	15
4	C30	23	15
5	C32	9	17
6			
7	B11	13	13
8	B14	9	7
9	B33	26	17
10	B33	11	17
11	B31	23	15
12	B32	24	17
13	C24	11	9
14	B16	8	5
15	C25	19	11
16	B11	2	13
17	B36	1	21
18	C26	21	13
19	B38	12	21
20	B37	1	21
21	C22	8	7
22	C16	22	9
23	C20	8	5
24	C23	8	7
25	C27	21	13
26	C30	7	15
27	B39	11	23
28	C32	6	17



CB 12B 20

	JACK	PN	LG
1	C29	19	15
2	C29	26	15
3	C30	27	15
4	D33	20	19
5			
6			
7	B11	24	13
8	B15	11	7
9	C41	11	23
10	B40	11	23
11	B38	4	23
12	B39	21	23
13	C31	10	15
14	B14	20	9
15	D30	19	17
16	B11	8	13
17	C17	14	9
18	D32	4	17
19	C17	24	9
20	C17	9	9
21	C27	16	11
22	C25	27	11
23	C26	27	11
24	C28	21	13
25	C32	11	15
26			
27	C23	3	7
28			

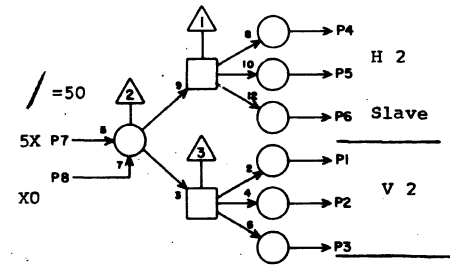
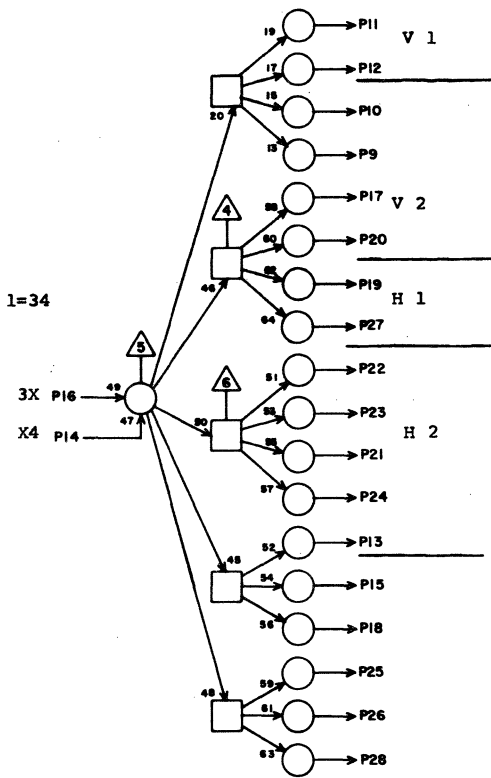


CB 12B21

1	C36	4	17
2	C38	28	21
3	B29	21	15
4	C29	8	13
5	D29	21	15
6	B26	6	9
7	B12	12	13
8	B15	13	9
9	B39	18	21
10	B38	19	21
11	B32	19	15
12	B33	14	15
13	D32	6	15
14	B14	22	11
15			
16	B11	17	13
17	B40	27	23
18			
19	C41	5	23
20	B41	11	23
21	C23	9	7
22	D33	17	17
23	C18	4	7
24	C31	6	13
25			
26			
27	C42	3	23
28			

JACK PIN LG

63016700 Rev. F



CB 12B22

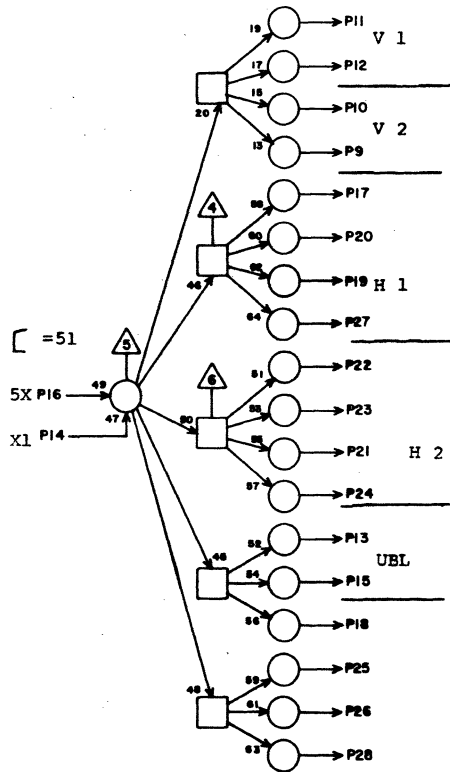
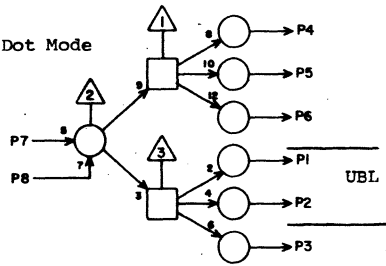
1	C40	12	21
2	C40	25	23
3	C40	19	23
4	D29	23	15
5	D30	4	15
6	B26	26	9
7	B12	16	13
8	B16	14	9
9	B39	24	21
10	B38	27	19
11	B30	27	11
12	B32	14	13
13	C26	12	9
14	B13	19	11
15	C30	18	13
16	B12	6	13
17	C42	6	21
18	D33	8	19
19	D25	3	11
20	C16	4	11
21	C23	25	7
22	C19	23	9
23	C22	21	7
24	C25	12	7
25			
26			
27	D33	21	23
28			

JACK PIN LG

12B22

63016700 Rev. F

• =57 + Dot Mode

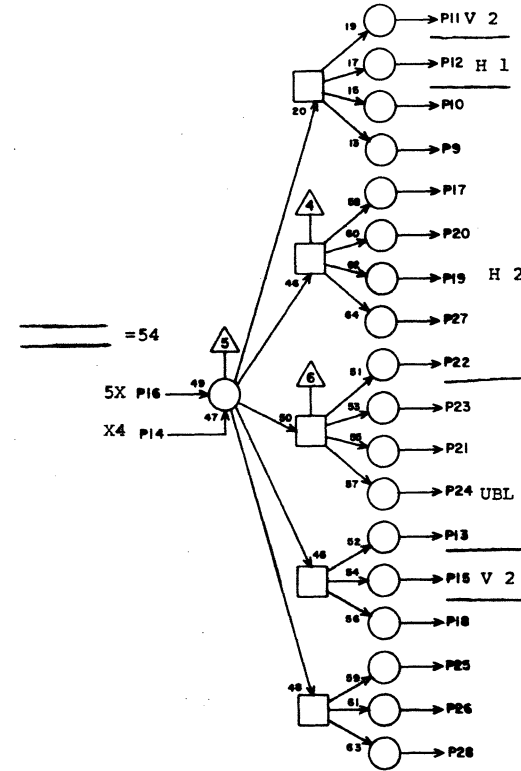
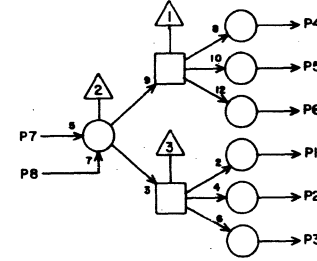


CB 12B23

1	D32	27	17
2	D33	7	17
3			
4			
5			
6			
7	C04	1	21
8	good	x	2
9	C39	3	19
10	C39	4	19
11	C35	4	15
12	C35	24	15
13	D31	8	15
14	B13	8	13
15	D32	12	17
16	B12	18	13
17	C42	7	21
18			
19	C42	23	21
20	C42	8	21
21	C18	11	9
22	D33	23	17
23	D26	5	11
24	D26	23	11
25			
26			
27	D25	7	11
28			

JACK PIN LG

63016700 Rev. F



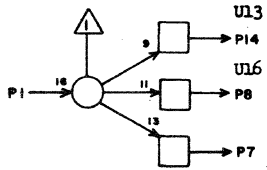
CB 12 B 24

1			
2			
3			
4			
5			
6			
7			
8			
9	D27	27	13
10	D27	19	13
11	C33	5	13
12	C42	26	21
13	C31	26	23
14	B14	19	13
15	B41	25	23
16	B12	22	15
17	D26	25	13
18			
19	C29	7	15
20	C20	23	9
21	D32	5	13
22	D30	11	17
23	C30	26	9
24	D34	5	15
25			
26			
27	B29	23	11
28			

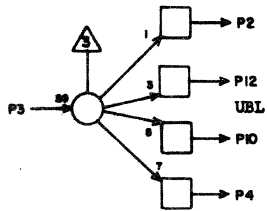
JACK PIN LG

63016700 Rev. F

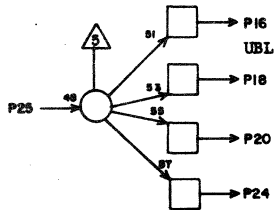
A = 01



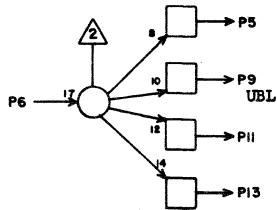
K = 13



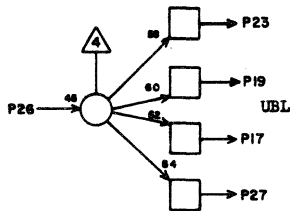
2 = 35



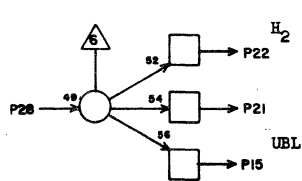
E = 05



Y = 31



J = 12

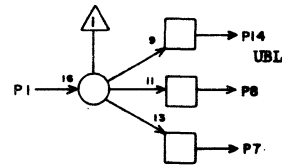


TH 12B25

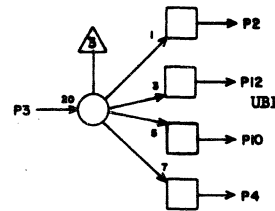
1	A13	27	15
2	C30	1	9
3	A21	27	7
4	D34	1	15
5	D30	16	13
6	A17	27	11
7			
8	C32	1	13
9	C32	12	13
10	C31	23	13
11	B29	3	9
12	D31	24	15
13	D34	17	15
14	D33	14	15
15	C31	21	11
16	D31	23	15
17			
18	D33	18	15
19	C32	25	15
20			
21	C30	17	11
22	C19	4	9
23	C31	27	11
24			
25	A34	27	13
26	A31	27	11
27			
28	A10	2	19

JACK PIN LG
63016700 Rev. F

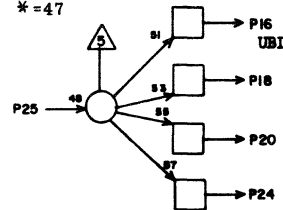
R = 22



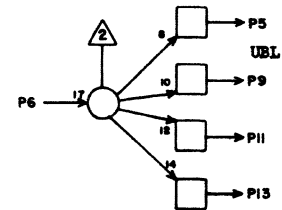
* = 47



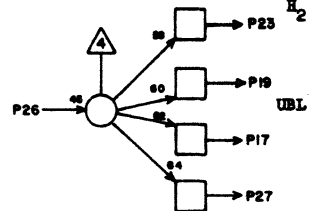
* = 47



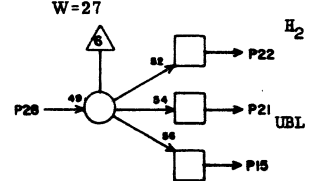
- = 46



/ = 50



W = 27



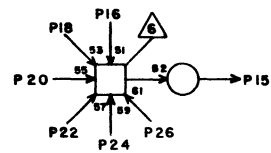
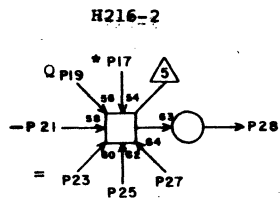
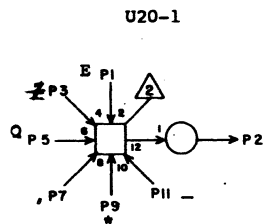
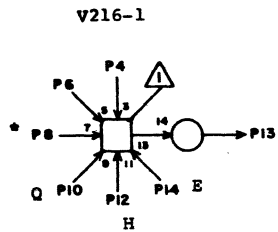
TH 12B26

1	A25	27	5
2	D30	23	15
3	A42	27	19
4	B26	25	5
5	D33	6	13
6	B21	6	9
7			
8	D34	3	15
9	B29	11	9
10	D32	19	15
11			
12	D30	20	13
13			
14	C30	9	9
15	D34	10	15
16	B29	9	9
17	D34	7	15
18	C41	4	19
19	D32	17	13
20	C33	14	15
21	C31	9	9
22	C27	18	7
23	D30	3	13
24			
25	B26	4	5
26	B22	6	9
27			
28	A29	27	9

JACK PIN LG
63016700 Rev. F

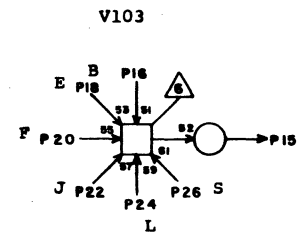
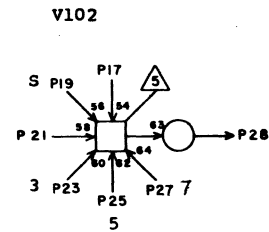
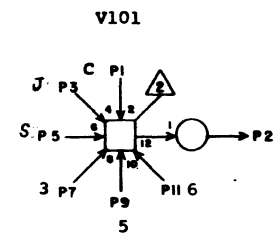
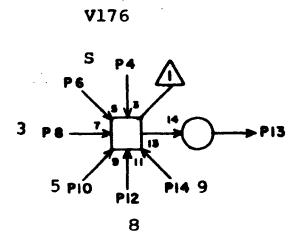
12B26





IP		12B29	
JACK	PIN	LG	
1	A32	23	9
2	D33	16	11
3	B25	11	9
4			
5	B18	6	17
6			
7	A11	28	25
8	A42	10	17
9	B26	16	9
10	A24	18	11
11	B26	9	9
12	A20	11	13
13	C40	15	15
14	A17	5	15
15			
16			
17	A42	19	17
18			
19	B18	2	15
20			
21	B21	3	15
22			
23	B24	27	11
24			
25			
26			
27			
28	D30	6	11

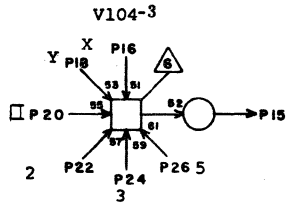
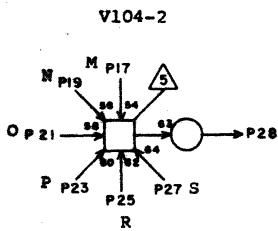
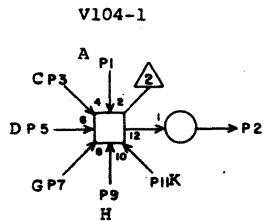
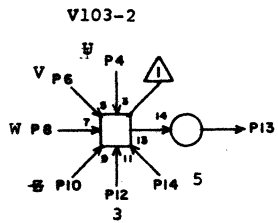
63016700 Rev. F



IP		14 B30	
JACK	PIN	LG	
1	A15	1	17
2	C34	10	9
3	A10	15	21
4	A26	1	9
5	A26	3	9
6	A33	1	9
7	A33	3	9
8	A35	1	11
9	A37	3	11
10	A37	1	13
11	A38	1	13
12	A39	1	13
13	C34	1	9
14	A40	1	15
15	C35	14	9
16	A14	1	19
17			
18	A17	1	17
19	A26	5	9
20	A18	1	15
21			
22	A10	7	21
23	A35	5	11
24	B17	11	17
25	A37	5	13
26	A26	7	11
27	B22	11	11
28	C34	2	9

63016700 Rev. F

12B30

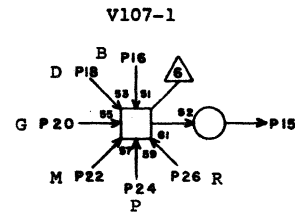
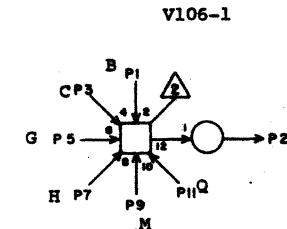
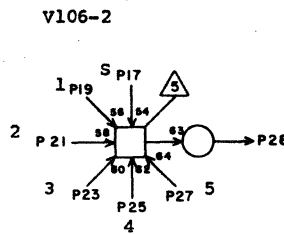
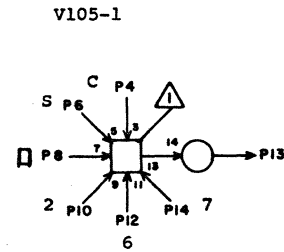


IP 12 B31

1	A13	1	21
2	C35	13	11
3	A15	3	19
4	A27	1	9
5	A16	1	17
6	A28	1	9
7	A19	3	15
8	A29	1	9
9	A20	1	13
10	A32	1	9
11	A21	1	13
12	A35	7	9
13	C35	12	11
14	A37	7	11
15	C35	9	11
16	A30	1	9
17	A22	1	13
18	A31	1	9
19	B18	11	17
20	A33	3	9
21	A23	1	13
22	A34	3	11
23	B19	11	15
24	A35	9	11
25	A25	1	13
26	A37	9	11
27	A26	9	11
28	C35	11	11

JACK PIN LG

63016700 Rev. F



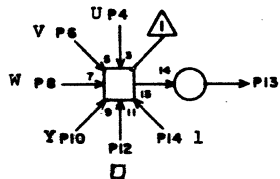
IP 14 B 32

1	A14	3	19
2	C35	16	9
3	A15	7	19
4	A15	5	19
5	A19	5	15
6	A26	2	11
7	A20	3	15
8	A33	5	7
9	A22	3	15
10	A34	5	9
11	A24	1	13
12	A38	7	11
13	C34	15	9
14	B22	12	13
15	C35	15	9
16	A14	5	19
17	A26	4	13
18	A16	3	19
19	B21	11	15
20	A19	7	15
21	A34	7	9
22	A22	5	15
23	A35	2	9
24	B19	12	17
25	A36	1	11
26	A25	3	13
27	A37	2	11
28	C35	18	9

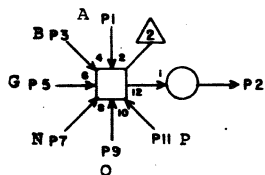
JACK PIN LG

63016700 Rev. F

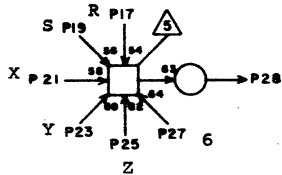
V107-2



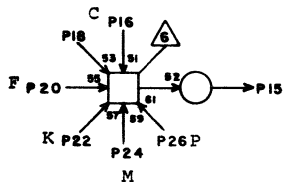
V110-1



V110-2



V111-1



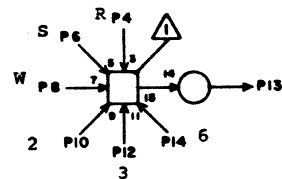
IP 12B 33

1	A13	3	21
2	C36	14	9
3	A14	7	21
4	A27	3	11
5	A19	9	17
6	A28	3	9
7	B18	12	17
8	A29	3	9
9	A23	3	13
10	A31	3	9
11	B19	10	17
12	A33	7	7
13	C35	17	9
14	B21	12	15
15	C36	13	9
16	A15	9	19
17	A25	5	13
18			
19	A26	6	13
20	A18	3	17
21	A30	3	9
22	A21	3	15
23	A31	5	9
24	A22	7	15
25	A34	2	9
26	B19	9	17
27	A38	2	11
28	C36	12	9

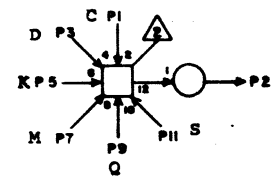
JACK PIN LG

63016700 Rev. F

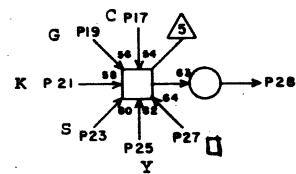
V111-2



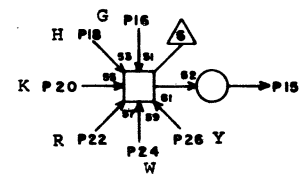
V112



V113



V115



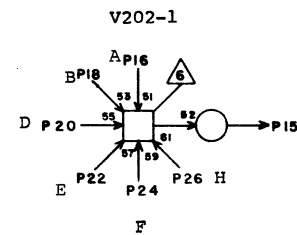
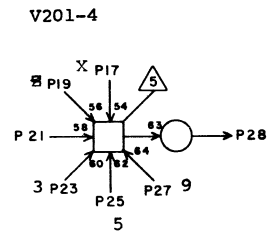
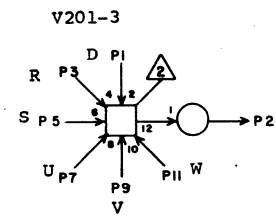
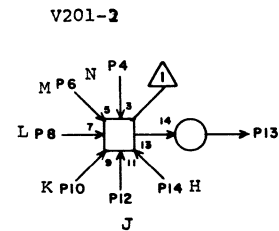
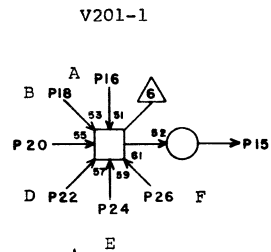
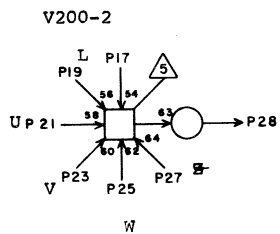
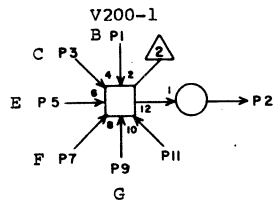
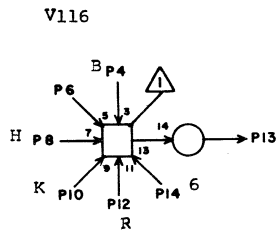
IP 12B 34

1	A15	2	21
2	C36	16	9
3	A16	5	19
4	A28	7	13
5	A21	5	15
6	A26	8	13
7	A22	9	15
8	A29	5	11
9	A24	3	13
10	A34	4	7
11	A26	10	13
12	A35	4	9
13	C36	11	9
14	A38	4	9
15	C37	14	9
16	A19	6	17
17	A15	4	21
18	A20	5	17
19	A19	2	19
20	A21	9	17
21	A21	7	17
22	A25	9	13
23	A26	11	13
24	A29	2	13
25	A31	9	9
26	A31	2	11
27	A33	2	11
28	C33	12	9

JACK PIN LG

63016700 Rev. F

12B34

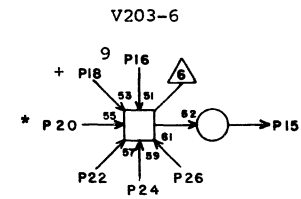
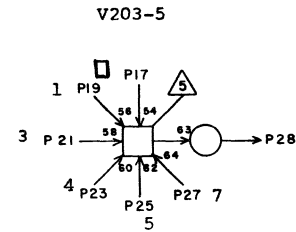
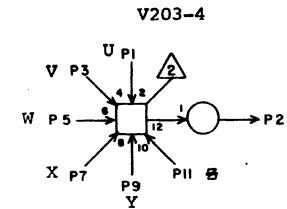
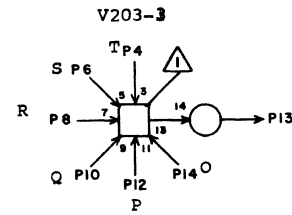
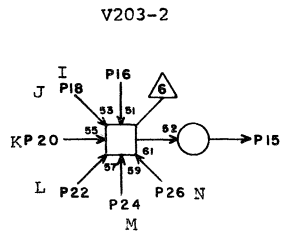
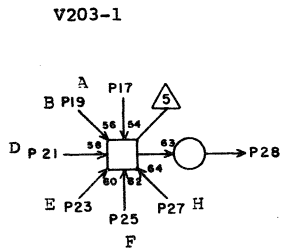
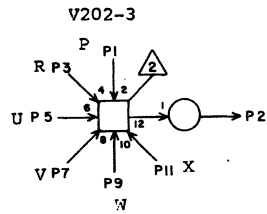
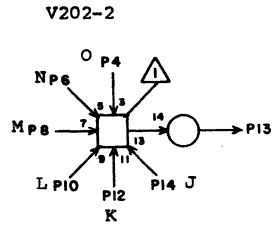


IP			
12B 35			
JACK	PIN	LG	
1	A14	6	23
2	C37	13	9
3	A15	8	23
4	A14	9	23
5	A17	7	19
6			
7	A18	5	19
8	A20	7	17
9	A19	17	21
10	A21	2	17
11			
12	A25	2	15
13	C34	22	9
14	A38	10	9
15	C38	21	9
16	A13	11	23
17	B17	10	21
18	A14	8	23
19			
20			
21	A27	5	13
22	A16	7	21
23	A28	5	13
24	A17	9	19
25	A29	4	13
26	A18	7	19
27	A32	3	11
28	C37	11	9

63016700 Rev. F

IP			
12B36			
JACK	PIN	LG	
1	B19	17	21
2	C38	25	11
3	A25	6	15
4	B18	10	21
5	A26	15	13
6	A22	2	17
7	A27	7	13
8	B17	12	21
9	A28	7	13
10	A21	6	17
11	A29	6	13
12	A10	4	27
13	C38	23	9
14	A20	9	19
15	C37	16	9
16	A13	5	23
17	A30	5	11
18	A14	10	23
19	A32	5	11
20	A16	9	21
21			
22	A17	2	21
23	A35	8	9
24	A18	9	19
25	A37	4	9
26	A20	2	19
27	A40	13	11
28	C38	27	11

63016700 Rev. F



IP 12 B 37

1	B19	20	21
2	C37	20	9
3	A25	8	15
4	A23	7	17
5	A27	9	13
6	B18	9	21
7	A28	9	13
8	A22	4	17
9	A29	8	13
10	B17	9	21
11	A30	7	13
12	A21	8	19
13	C37	18	9
14	A10	11	27
15	C37	17	9
16	A09	25	27
17	A13	7	25
18	A10	9	27
19	A14	11	25
20	A21	10	19
21	A16	2	23
22	B17	17	21
23	A17	4	23
24	A22	6	17
25	A18	2	21
26	B18	17	21
27	A20	4	19
28	C37	15	9

JACK PIN LG

63016700 Rev. F

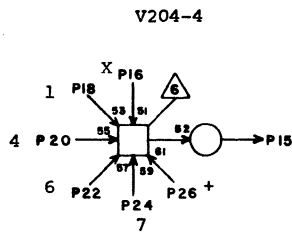
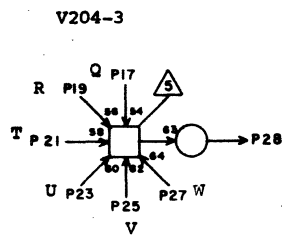
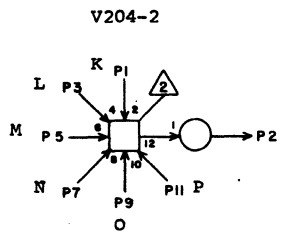
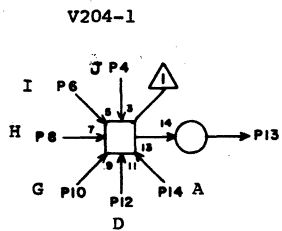
IP 12 B 38

1	A27	2	15
2	C37	21	9
3	A28	2	13
4	B20	11	23
5	A29	10	13
6	A26	18	15
7	A30	9	13
8	A25	10	15
9	A31	4	13
10	A24	7	17
11	A32	9	11
12	B19	19	21
13	C37	19	9
14	A23	9	17
15	C37	25	9
16	A40	15	7
17	A33	8	13
18	A41	5	13
19	B21	10	21
20	A42	9	9
21	A35	10	9
22			
23	A36	3	9
24			
25	A37	6	9
26			
27	B22	10	19
28	C37	23	9

JACK PIN LG

12B38

63016700 Rev. F

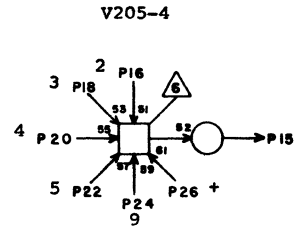
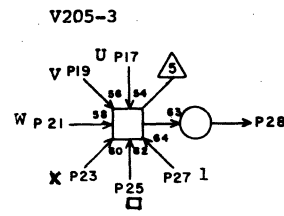
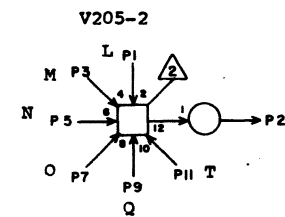
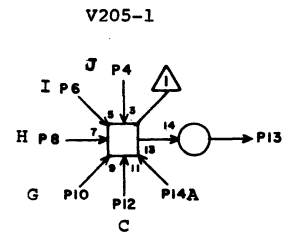


IP 12 B 39

1	A21	11	19
2	C39	12	9
3	B17	20	23
4	A10	13	29
5	A22	8	19
6	A09	23	29
7	B18	20	23
8	A20	6	21
9	A23	2	19
10	A19	8	23
11	B19	27	23
12	A16	4	25
13	C39	14	9
14	A13	9	27
15	C39	8	9
16	A30	2	13
17	A24	9	17
18	B21	9	21
19	A25	11	17
20	A36	5	9
21	B20	12	23
22	A38	13	9
23	A27	4	17
24	B22	9	21
25	A28	4	15
26	A41	7	9
27	A29	11	15
28	C39	10	9

JACK PIN LG

63016700 Rev. F



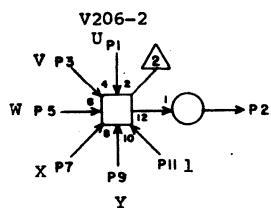
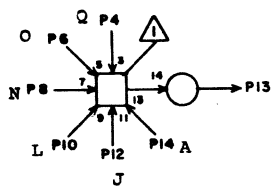
IP 12 B 40

1	B17	19	23
2	C39	11	9
3	A22	10	19
4	A10	1	29
5	B18	19	23
6	A09	26	31
7	A23	4	19
8	A20	8	21
9	A24	2	19
10	A19	11	23
11	B20	10	23
12	A15	10	25
13	C39	13	9
14	A13	2	27
15	C39	7	9
16	A34	10	11
17	A27	6	17
18	A35	11	9
19	A28	6	15
20	A36	7	9
21	A29	13	15
22	A37	8	9
23	A30	4	15
24	A40	18	7
25	A33	10	13
26	A41	9	9
27	B21	17	23
28	C39	9	9

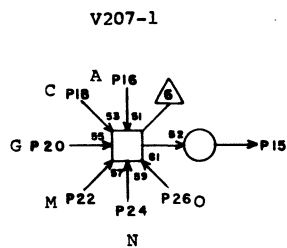
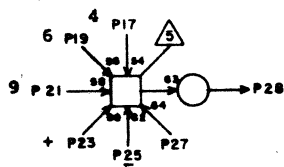
JACK PIN LG

63016700 Rev. F

V206-1



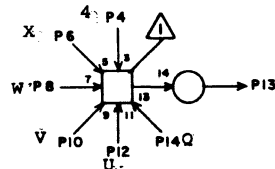
V206-3



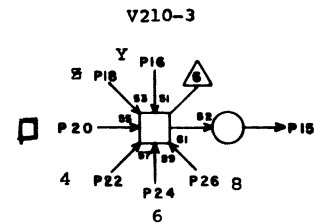
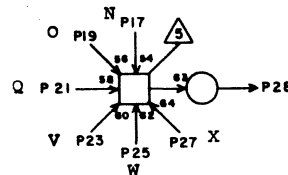
IP 12B 41

	JACK	PIN	LG
1	A27	8	17
2	C38	17	9
3	A28	8	17
4	A24	4	19
5	A29	15	15
6	A23	6	19
7	A30	6	15
8	B18	27	23
9	A31	6	13
10	B17	27	25
11	B21	20	23
12	A10	8	31
13	C38	15	9
14	A13	4	29
15	C38	22	11
16	A13	6	29
17	A36	9	11
18	A15	11	27
19	A38	15	9
20	A19	13	23
21	A40	17	7
22	A22	11	21
23	A41	2	9
24	B18	22	23
25	B24	15	23
26	A23	8	21
27			
28	C38	19	11

V207=2



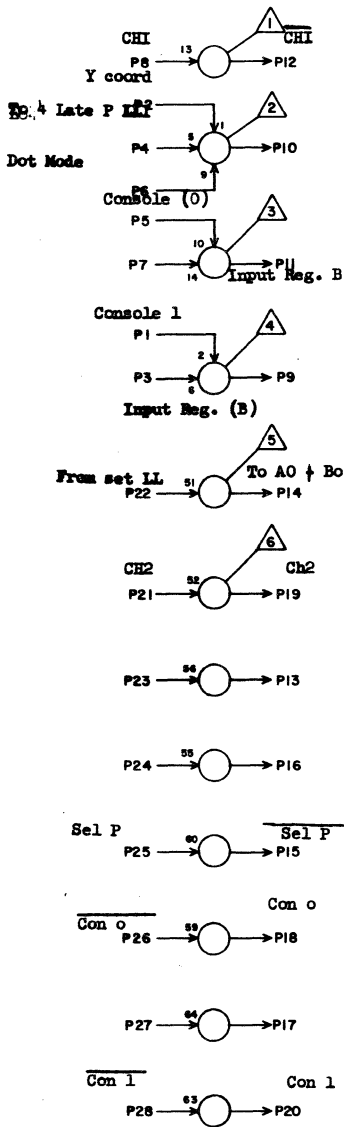
V210-2



IP 12B 42

	JACK	PIN	LG
1	A13	8	29
2	C39	16	9
3	A15	13	27
4	A36	2	15
5	A16	6	27
6	A30	8	15
7	A17	6	25
8	A29	18	17
9	A18	4	25
10	A28	10	17
11	A22	13	21
12	A27	10	17
13	C38	24	9
14	A24	6	19
15	C39	20	11
16	A31	8	15
17	B18	23	25
18	A32	2	15
19	A23	10	21
20	A33	11	13
21	A24	8	21
22	A36	4	11
23	A28	11	17
24	A38	18	9
25	A29	17	17
26	A39	20	9
27	A30	10	17
28	C39	18	11

1
2
3
4
5
6
7
8
9
10
11
12
13
14
15
16
17
18
19
20
21
22
23
24
25
26
27
28
29
30
31
32
33
34
35
36
37
38
39
40
41
42
43
44
45
46
47
48
49
50
51
52
53
54
55
56
57
58
59
60
61
62
63
64
65
66
67
68
69
70
71
72
73
74
75
76
77
78
79
80
81
82
83
84
85
86
87
88
89
90
91
92
93
94
95
96
97
98
99
100



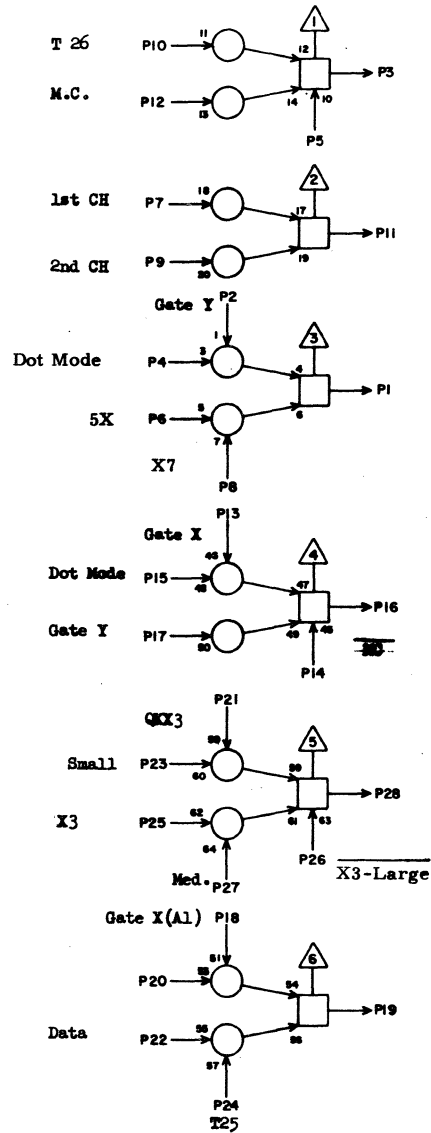
TL

12C03

1	A04	26	9
2	F10	22	19
3	E39	9	35
4	D11	25	13
5	A04	18	11
6	B05	17	7
7	E39	7	35
8	B06	1	9
9	E05	16	13
10	C05	14	5
11	E05	14	13
12	B07	15	9
13	F12	5	15
14	F14	23	19
15	F12	1	15
16			
17			
18	D09	21	13
19	B07	14	9
20	D09	22	13
21	B06	28	9
22	C06	2	5
23	D06	2	11
24			
25	B02	5	9
26	A04	16	11
27			
28	A04	25	11

JACK PIN LG

63016700 Rev. F



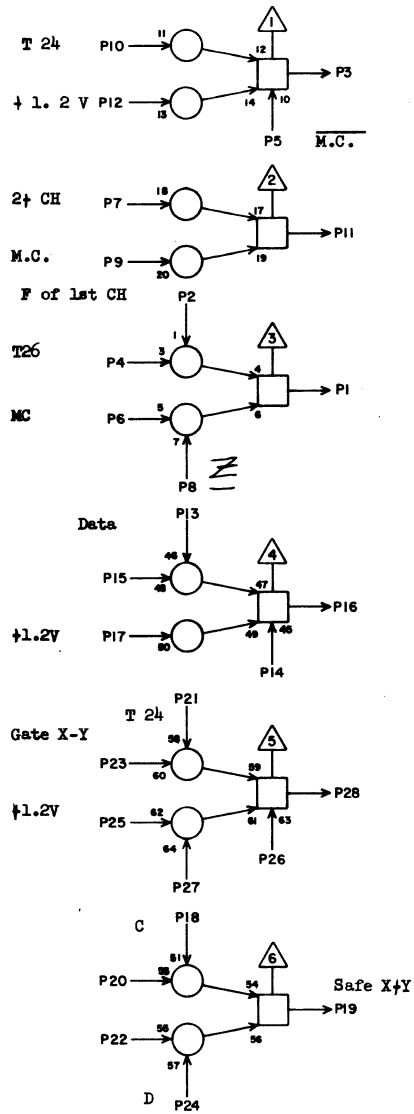
QH

12C04

1	B23	7	21
2	F10	24	17
3	D06	15	23
4	B05	27	5
5	GRD	x	2
6	B12	19	13
7	D02	14	9
8	B15	21	15
9	D02	22	9
10	D23	15	21
11	D08	21	9
12	C10	16	9
13	F15	12	19
14	C13	27	13
15	B05	23	5
16	F07	22	15
17	F15	13	19
18	F07	3	15
19	F10	1	15
20	GRD	x	2
21	F20	9	21
22	F10	15	17
23	F13	8	17
24	D23	13	21
25	C11	17	11
26	F14	9	17
27	F13	9	17
28	F17	7	19

JACK PIN LG

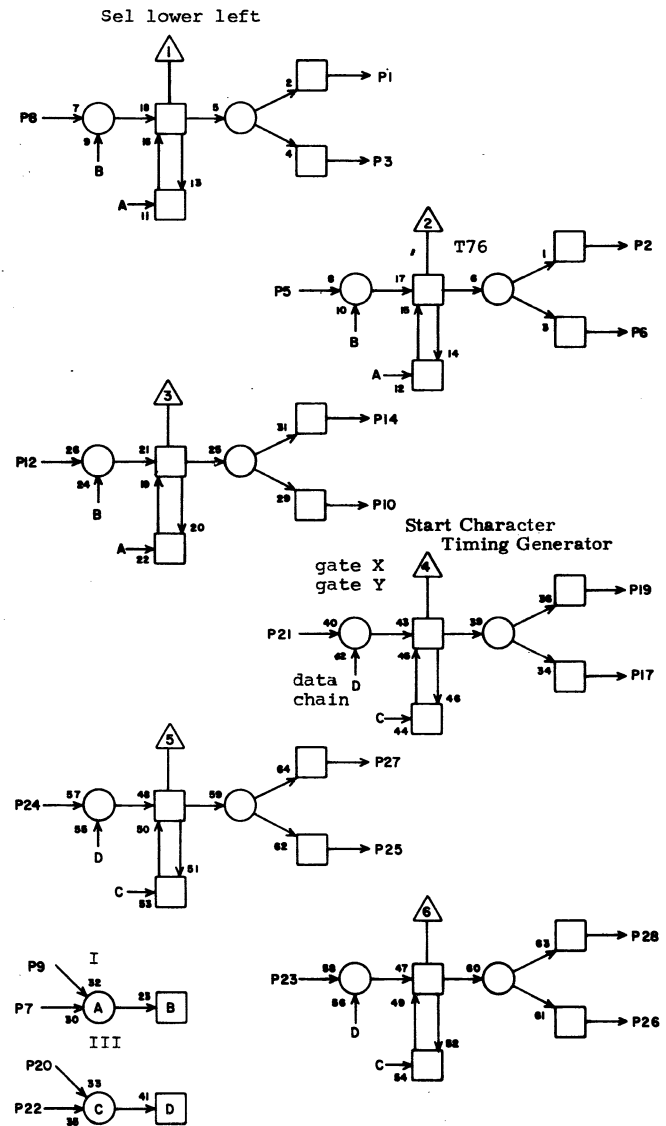
63016700 Rev. F



QH 12C05

1	B0E	18	7
2	F07	9	17
3	B0F	13	5
4	D23	17	21
5	C13	24	11
6	C10	20	9
7	C06	17	5
8	good	x	2
9	C10	18	9
10	D23	20	21
11	F15	1	17
12	F17	2	19
13	F10	21	17
14	C03	10	5
15	good	x	2
16	F07	23	15
17	F17	4	19
18	F10	9	15
19	C05	23	3
20	good	x	2
21	D23	18	21
22	good	x	2
23	C05	19	3
24	F10	20	17
25	F17	15	15
26	F12	10	15
27	good	x	2
28	C08	15	7

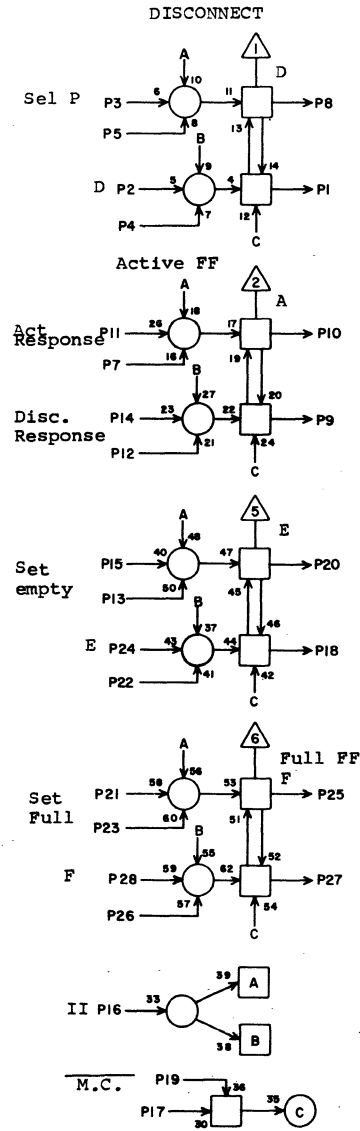
JACK PIN LG



PA 12C06

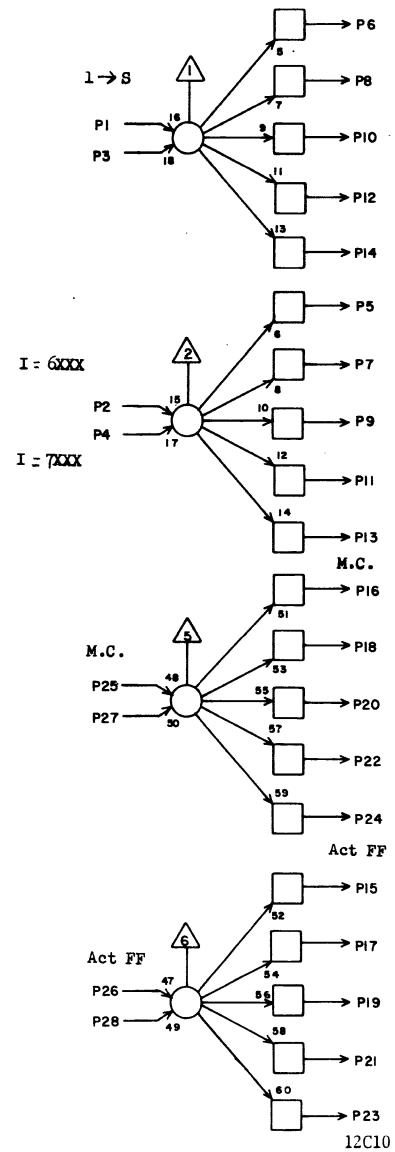
1	C06	24	5
2	C03	22	5
3			
4			
5	C06	28	5
6	D08	2	9
7	good	X	2
8	B06	25	5
9	D05	10	9
10			
11			
12	C06	27	5
13			
14	C06	23	5
15			
16			
17	C05	7	5
18			
19	D10	8	9
20	D04	9	7
21	F14	18	17
22	good	X	2
23	C06	14	5
24	C06	1	5
25	B06	23	7
26			
27	C06	12	5
28	C06	5	5

JACK PIN LG



1			
2	C11	3	5
3	B04	13	7
4	C08	x	2
5	C08	x	2
6			
7	C08	x	2
8	C11	8	5
9			
10	C10	26	5
11	B01	5	11
12	C08	x	2
13	C10	17	5
14	B01	11	11
15	C05	28	7
16	D05	20	9
17	C08	x	2
18			
19	C13	22	9
20	C11	5	5
21	E38	25	31
22	C08	x	2
23	C08	x	2
24	C11	6	5
25	C11	12	5
26			
27			
28	C11	10	5

JACK PIN LG

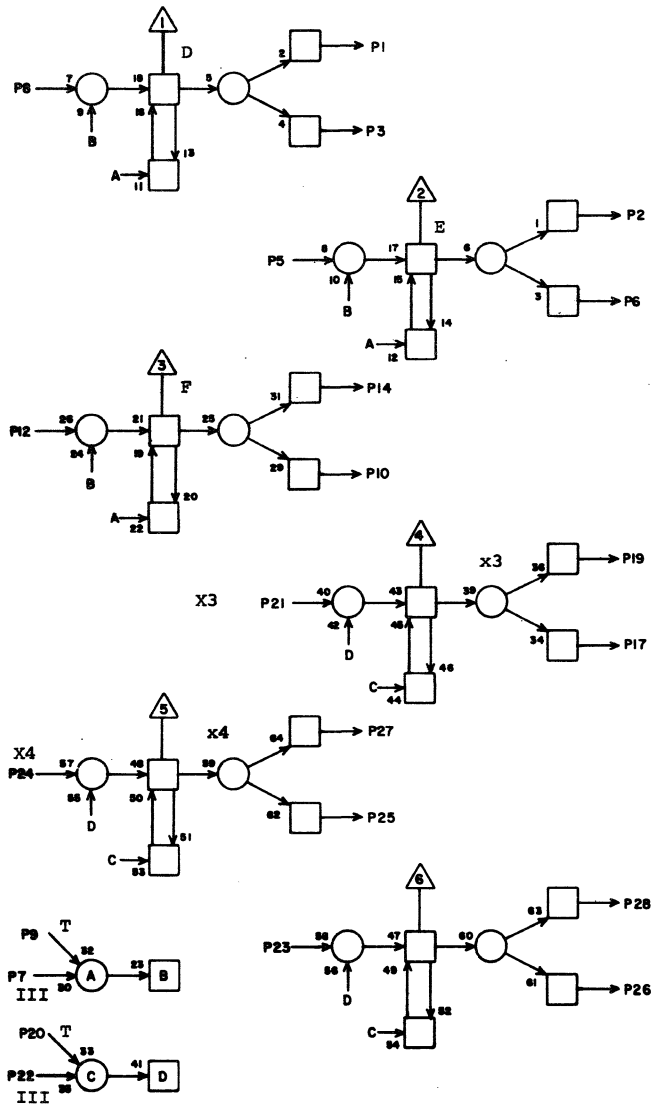


T D 12C10

1	E04	14	11
2	E08	2	13
3	GND	X	2
4	E08	28	13
5	E09	24	13
6	A05	16	13
7			
8	A06	16	11
9			
10	E09	16	13
11			
12			
13			
14			
15	B04	21	11
16	C04	12	9
17	C08	13	5
18	C05	9	9
19	E27	1	21
20	C05	6	9
21			
22			
23			
24			
25	B02	9	13
26	C08	10	5
27	GND	X	2
28	GND	X	2

JACK PIN LG
 63016700 Rev. F

12C10



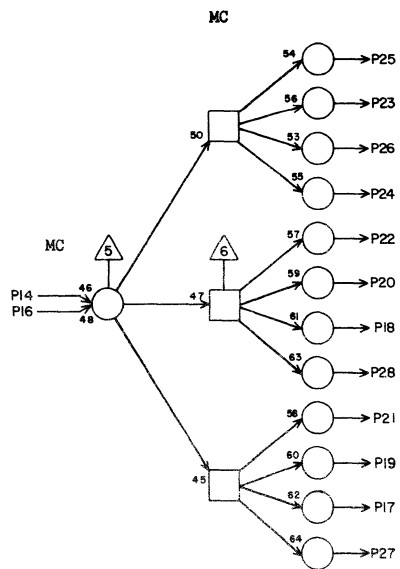
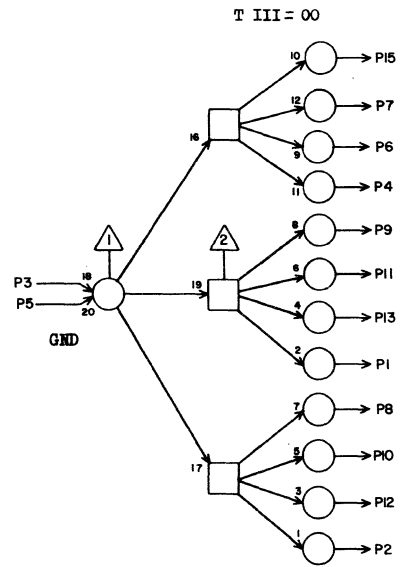
PA

12c 11

1	E06	24	15
2	E06	7	15
3	C08	2	5
4			
5	C08	20	5
6	C08	24	5
7	D04	10	13
8	C08	8	5
9	C11	x	2
10	C08	28	5
11			
12	C08	25	5
13			
14	E06	5	15
15			
16			
17	C04	25	11
18			
19	F14	2	15
20	C11	x	2
21	F19	12	17
22	D04	8	11
23			
24	F19	9	17
25			
26			
27	D09	1	5
28			

JACK PIN LG

63016700 Rev. F

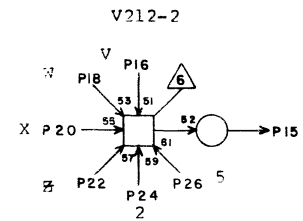
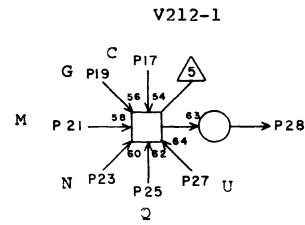
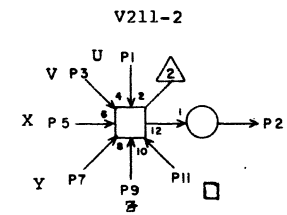
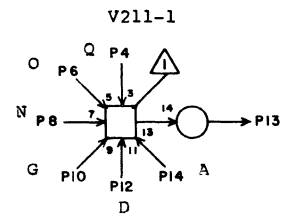


TC 12C13

1	D16	20	9
2			
3	D03	22	15
4	D12	20	9
5	GND	X	2
6	D11	20	9
7	E36	21	25
8	D17	20	9
9	D13	20	9
10	D10	20	9
11	D14	20	9
12	E36	24	25
13	D15	20	9
14	B02	11	15
15			
16	GND	X	2
17			
18	A06	13	13
19	F05	21	17
20	A05	13	15
21	F06	21	17
22	C08	19	9
23	F12	7	15
24	C05	5	11
25	F12	3	13
26			
27	C04	14	13
28	E09	13	11

JACK PIN LG

63016700 Rev. F



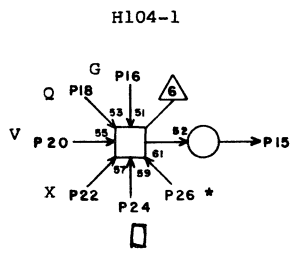
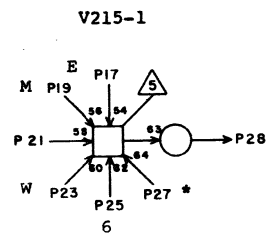
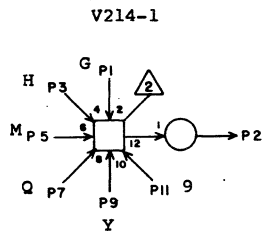
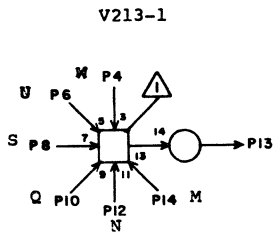
IP 12C 14

1	A27	11	17
2	C40	3	27
3	A28	13	17
4	A24	10	15
5	A30	11	19
6	A23	11	15
7	A31	10	21
8	B18	21	9
9	A32	4	21
10	A19	10	13
11	A23	13	21
12	A16	8	13
13	C40	1	27
14	A13	10	13
15	C39	17	25
16	A28	15	19
17	A15	15	13
18	A29	20	19
19	A19	15	13
20	A30	13	21
21	A22	15	15
22	A32	6	21
23	B18	24	11
24	A34	11	23
25	A24	11	15
26	A37	10	25
27	A27	13	17
28	C39	15	25

JACK PIN LG

63016700 Rev. F

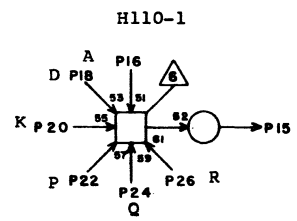
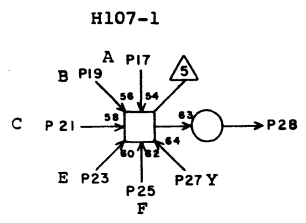
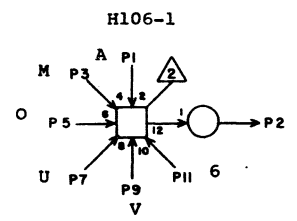
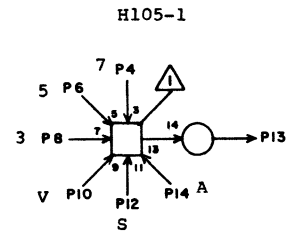
12C14



IP 12 C 15

1	A19	18	11
2	C40	2	25
3	A20	10	13
4	A29	22	17
5	A22	17	13
6	A27	15	17
7	A24	15	15
8	A26	17	17
9	A31	13	19
10	A24	13	15
11	A40	24	27
12	B18	13	9
13	C41	14	27
14	A22	18	13
15	C42	21	27
16	A19	20	13
17	A17	8	13
18	A24	17	15
19	A22	20	13
20	A28	18	17
21			
22	A30	18	19
23	A29	24	17
24	A33	18	21
25	A38	22	25
26	A42	15	29
27	A42	11	29
28	C40	10	25

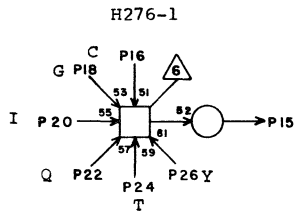
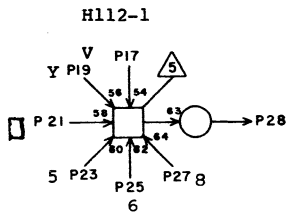
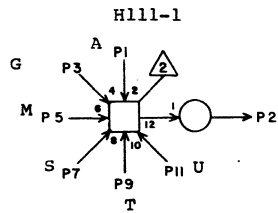
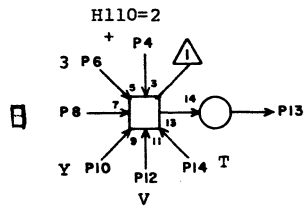
JACK PIN LG



IP 12 C=16

1	A13	20	11
2	D25	1	13
3	A22	22	11
4	B22	20	11
5	A23	13	13
6	A37	11	23
7	A27	18	15
8	A35	13	23
9	A28	20	17
10	A28	17	17
11	A38	24	23
12	A26	20	15
13	C42	22	27
14	A13	17	11
15	D25	10	13
16	A13	24	11
17	A13	22	13
18	A16	10	13
19	A14	13	13
20	A21	13	13
21	A15	17	13
22	B19	22	9
23	A17	10	13
24	A24	20	15
25	A18	6	13
26	A25	13	15
27	A31	18	19
28	D25	2	13

JACK PIN LG



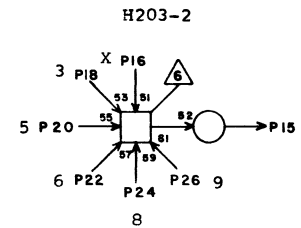
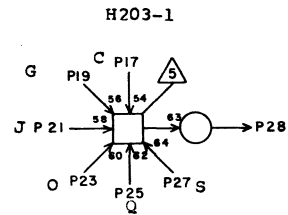
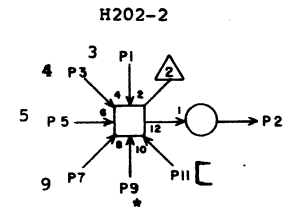
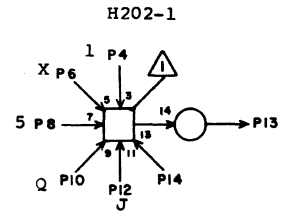
IP

12C 17

1	A13	26	11
2	C41	16	25
3	A19	22	11
4	A41	8	25
5	A22	24	11
6	A35	15	21
7	A26	22	13
8	A33	20	19
9	B20	20	9
10	A31	17	19
11	A27	17	15
12	A28	22	15
13	D25	12	13
14	B20	17	9
15	D33	15	19
16	A15	20	11
17	A28	26	15
18	A19	24	11
19	A31	20	19
20	A09	22	15
21	A33	22	19
22	A24	22	13
23	A37	13	23
24	B20	19	9
25	A38	26	23
26	A31	24	19
27	A39	26	25
28	D25	15	13

JACK PIN LG

63016700 Rev. F



IP

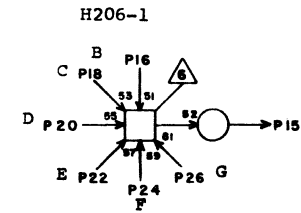
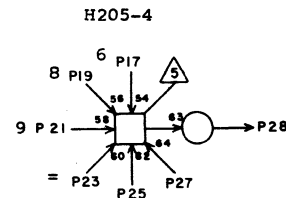
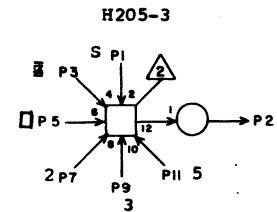
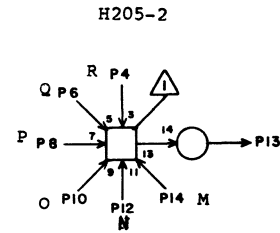
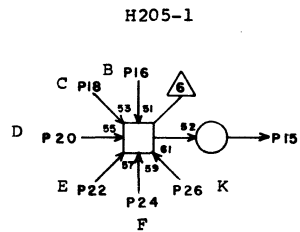
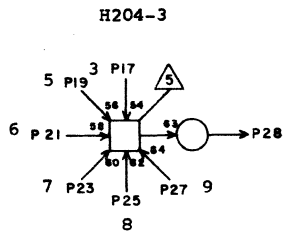
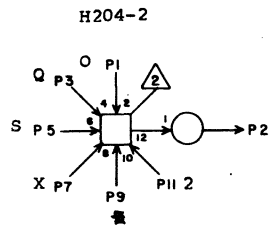
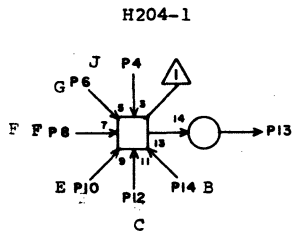
12C 18

1	A35	17	21
2	D27	17	15
3	A36	13	21
4	B21	23	7
5	A37	15	21
6	A30	20	17
7	A40	19	25
8	A26	24	13
9	A42	17	25
10	A24	24	13
11	B23	21	9
12	A10	10	15
13	D27	15	15
14			
15	D27	23	15
16	A30	22	17
17	A15	26	11
18	A35	20	19
19	A19	28	11
20	A37	18	23
21	A10	12	15
22	A38	28	23
23	A23	15	13
24	A39	19	23
25	A24	26	13
26	A40	21	25
27	A26	26	15
28	D27	21	15

JACK PIN LG

63016700 Rev. F

12C18



IP 12c 19

1	A23	18	11
2	D26	17	13
3	A24	28	11
4	B25	22	9
5	A26	28	13
6	A19	19	11
7	A30	24	15
8	A18	8	11
9	A32	11	17
10	A17	13	11
11	A34	18	19
12	A15	28	11
13	D26	15	13
14	A14	17	13
15	D27	22	13
16	A14	20	13
17	A35	22	19
18	A15	19	13
19	A37	17	21
20	A16	11	13
21	A38	19	23
22	A17	15	11
23	E22	22	9
24	A18	10	13
25	A39	21	23
26	A21	18	13
27	A40	23	23
28	D26	19	13

JACK PIN LG

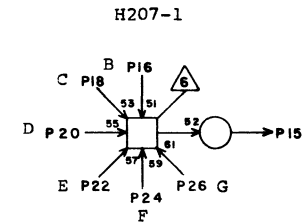
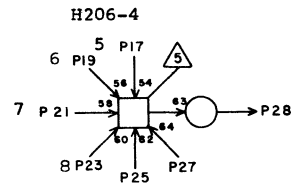
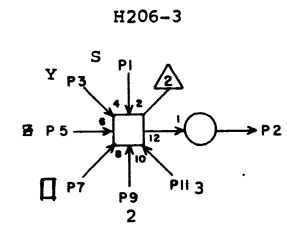
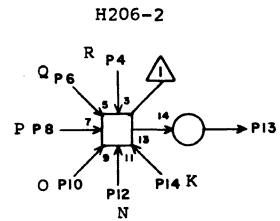
63016700 Rev. F

IP 12c 20

1	A26	19	13
2	D27	26	13
3	A32	13	17
4	A25	18	11
5	A33	26	17
6	A24	19	11
7	A34	17	17
8	B19	23	5
9	A35	24	19
10	A23	17	11
11	A37	20	19
12	B18	15	7
13	D27	24	13
14	A22	26	11
15	D28	1	13
16	A14	22	13
17	A38	21	21
18	A15	21	13
19	A39	23	23
20	A16	13	13
21	A40	25	23
22	A17	18	13
23	B24	20	9
24	A18	11	13
25			
26	A19	21	13
27			
28	D27	28	13

JACK PIN LG

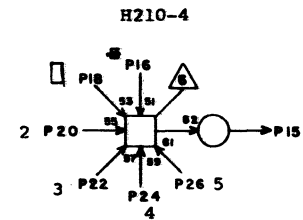
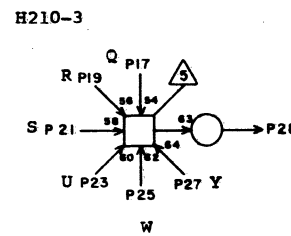
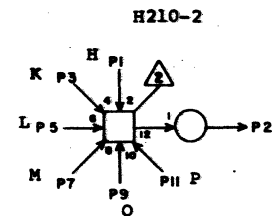
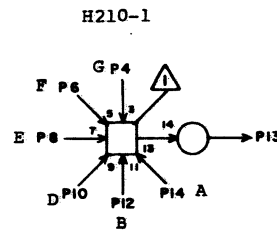
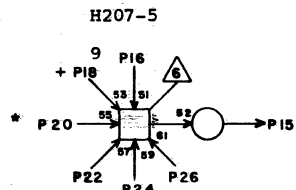
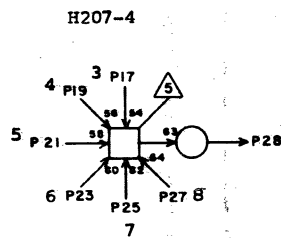
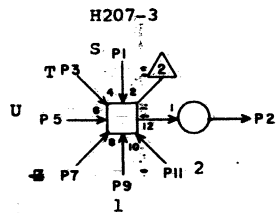
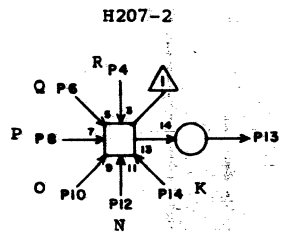
63016700 Rev. F



IP **12C 22**

1	A26	21	11
2	D28	5	11
3	A31	26	13
4	A25	17	11
5	A32	15	15
6	A24	21	11
7	A33	28	15
8	B19	21	7
9	A34	20	17
10	A23	20	11
11	A35	26	17
12	B18	18	9
13	D28	3	11
14	A21	17	11
15	D29	14	11
16	A14	24	15
17	A37	22	19
18	A15	23	13
19	A38	23	19
20	A16	15	13
21	B22	23	7
22	A17	17	13
23	A39	25	21
24	A18	13	13
25			
26	A19	23	13
27			
28	D28	7	11

JACK PIN LG



IP 12C23

1	A26	23	11
2	D29	10	11
3	B20	27	7
4	A25	20	11
5	A27	20	11
6	A24	23	9
7	A32	18	15
8	B19	24	7
9	B21	21	7
10	A23	22	11
11	A34	22	15
12	B18	25	9
13	D29	12	11
14	A21	20	11
15	D29	6	11
16	A12	16	17
17	A35	28	17
18	A41	13	21
19	A36	15	17
20	A42	24	21
21	A37	24	19
22			
23	A38	25	19
24			
25	B22	21	7
26			
27	A39	27	19
28	D29	8	11

JACK PIN LG

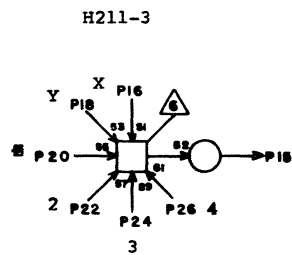
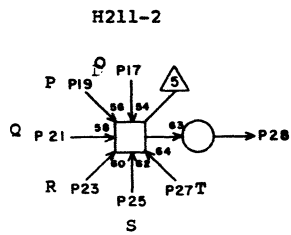
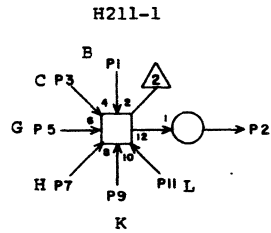
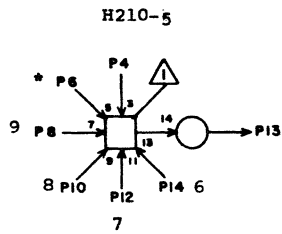
63016700 Rev. F

IP 12C 24

1	A20	17	11
2	D29	11	11
3	A21	22	11
4	A19	25	11
5	B17	22	11
6	A18	15	13
7	A22	28	11
8	A17	20	13
9	A23	24	11
10	A16	18	13
11	B19	13	9
12	A14	26	15
13	D29	13	11
14	A13	28	17
15	D29	7	11
16	A32	17	15
17	A24	25	11
18	A33	19	15
19	A25	22	13
20	A34	24	15
21	A26	25	13
22	A35	19	17
23	A27	22	13
24	A36	18	17
25	A29	25	13
26	A37	26	17
27	A31	28	15
28	D29	9	11

JACK PIN LG

63016700 Rev. F

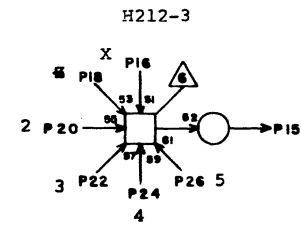
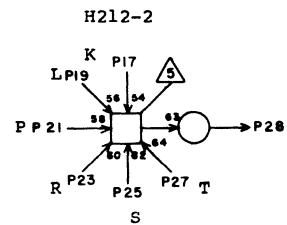
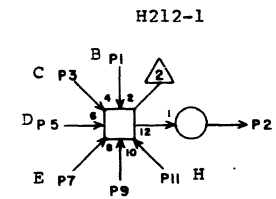
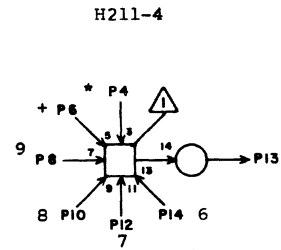


IP 12C25

1	A14	28	15
2	D29	16	11
3	A15	25	15
4			
5	A19	27	11
6	A42	26	19
7	A20	20	13
8	A12	18	17
9	A21	24	11
10	A10	25	19
11	B17	23	13
12	B22	24	7
13	D29	5	11
14	A12	2	17
15	D29	20	11
16	A30	26	13
17	A23	26	11
18	A31	19	13
19	B19	15	11
20	A32	20	13
21	A24	27	11
22	A34	26	15
23	A25	24	13
24	A35	21	15
25	A26	27	13
26	A36	17	17
27	B20	22	11
28	D29	18	11

JACK PIN LG

63016700 Rev. F



IP 12C 26

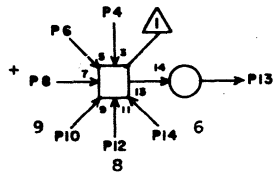
1	A14	19	15
2	D28	2	9
3	B16	16	15
4	A42	28	19
5	A16	17	15
6	A41	15	19
7	A17	22	15
8	A12	20	17
9			
10	A10	23	19
11	A20	22	13
12	B22	13	9
13	D29	22	9
14	A12	4	19
15	D28	6	9
16	A30	28	13
17	A21	26	13
18	A32	22	13
19	B17	21	13
20	A34	28	13
21	B19	18	13
22	A35	23	15
23	A25	26	13
24	A36	20	15
25	B19	1	15
26	A37	28	15
27	B20	23	11
28	D28	4	9

JACK PIN LG

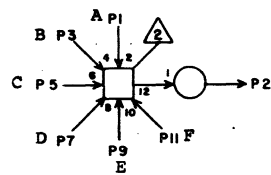
63016700 Rev. F

12C26

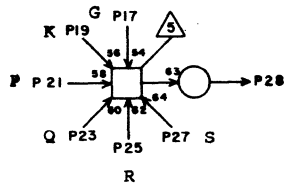
H212-4



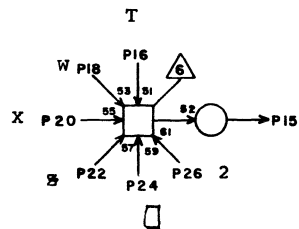
H213-1



H213-2



H213-3

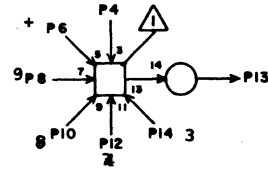


IP 12C 27

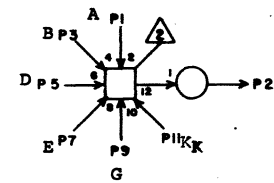
1	A13	19	17
2	D28	21	9
3	A14	21	17
4			
5	B16	18	15
6			
7	A16	20	15
8	A41	18	17
9	A17	24	17
10	A12	22	19
11	A18	17	15
12	A10	26	19
13	D28	8	9
14	A12	6	19
15	D28	25	9
16	B20	21	11
17	B17	1	15
18	B26	22	7
19	A21	28	13
20	A30	19	13
21	B19	25	13
22	A32	24	13
23	B18	1	15
24	A33	21	13
25	A25	28	13
26	A34	19	15
27	B19	2	15
28	D28	23	9

JACK PIN LG

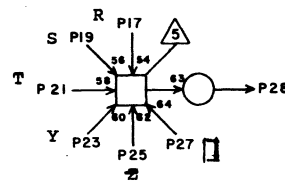
H213-4



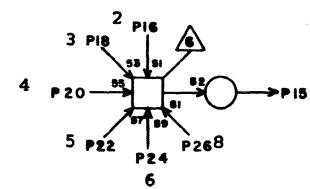
H214-1



H214-2



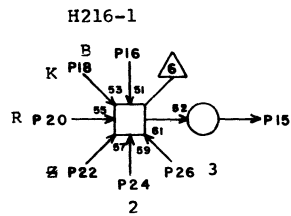
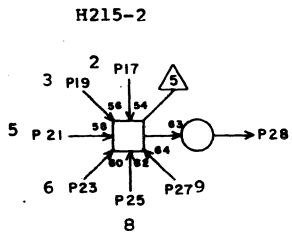
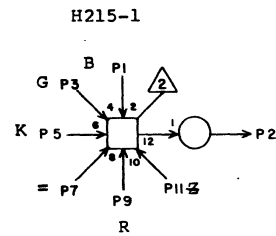
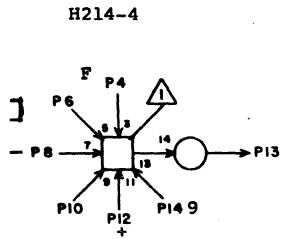
H214-3



IP 12C 28

1	A13	21	17
2	D28	22	9
3	A14	23	17
4			
5	A16	22	17
6	A41	17	17
7	A17	26	17
8	A12	17	19
9	B17	2	15
10	A10	24	21
11	A21	19	13
12	A36	22	13
13	D28	27	9
14	A35	25	13
15	D28	26	9
16	A34	21	13
17	A25	19	13
18	A35	27	13
19	B19	3	15
20	A36	24	15
21	B20	24	13
22	A37	19	15
23	A31	21	13
24	A12	9	19
25	A32	26	13
26	A10	22	23
27	A33	23	13
28	D28	24	9

JACK PIN LG

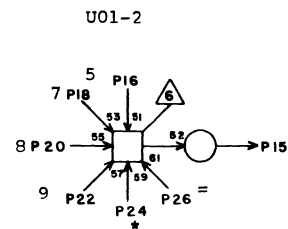
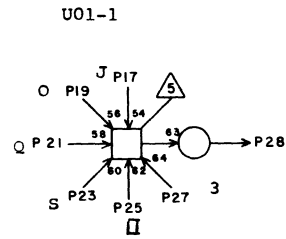
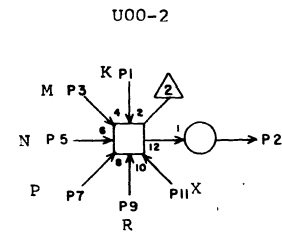
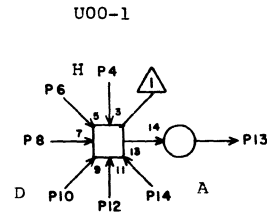


IP 12 C 29

1	A14	25	19
2	D29	15	9
3	B17	3	15
4	A18	18	19
5	A21	21	13
6	A11	8	21
7	B24	19	15
8	B21	4	13
9	A25	21	13
10			
11	A32	28	11
12	A41	20	17
13	D28	28	9
14	A12	19	21
15	D30	14	9
16	A09	15	23
17	A34	23	13
18	A21	23	13
19	B20	1	15
20	A25	23	13
21	A37	21	15
22	A32	19	13
23	A12	11	21
24	A34	25	13
25	A10	20	23
26	E20	2	15
27	A12	21	21
28	D29	17	9

JACK PIN LG

63016700 Rev. F



IP 12 C 30

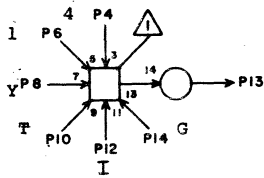
1	B25	2	9
2	D31	17	9
3	A22	19	13
4	A20	24	15
5	B18	26	15
6			
7	B19	26	15
8			
9	B26	14	9
10	A16	24	17
11	A30	21	11
12			
13	D31	15	9
14	A13	23	19
15	D31	3	5
16	A37	25	13
17	B25	21	11
18	B22	15	13
19	A23	28	13
20	A10	17	23
21	B18	3	17
22	A12	24	21
23	B19	4	15
24	A42	23	17
25	A33	25	13
26	B24	23	9
27	B20	3	15
28	D31	1	5

JACK PIN LG

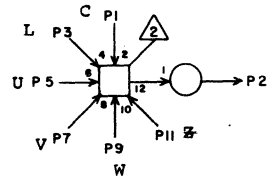
63016700 Rev. F

12C30

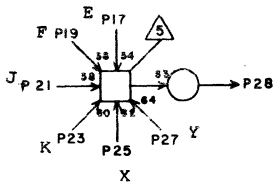
U02-1



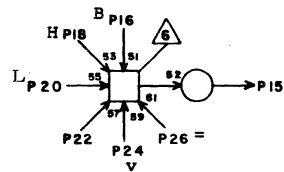
U03-1



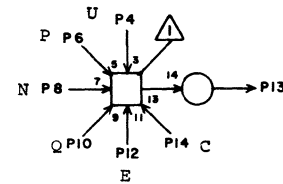
U10-1



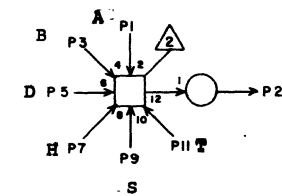
U14-1



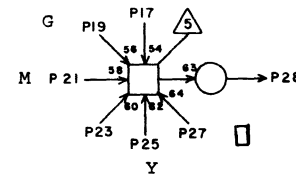
U15-1



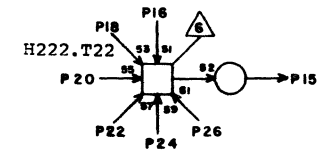
U16-1



U17-1



H276.T76



IP 12 C 31

1	B16	20	17
2	D31	21	9
3	B17	24	17
4	A36	26	11
5	A27	24	11
6	B21	24	13
7	A28	28	13
8	A31	23	11
9	B26	21	9
10	B20	13	15
11	A32	21	11
12	A09	20	23
13	D31	2	5
14	B17	4	17
15	D32	15	7
16	A09	13	23
17	A17	25	19
18	A20	19	17
19	A18	22	17
20	B17	13	17
21	B25	15	11
22			
23	B25	10	13
24	A28	19	13
25	A30	25	13
26	B24	13	13
27	B25	23	11
28	D32	10	5

JACK PIN LG

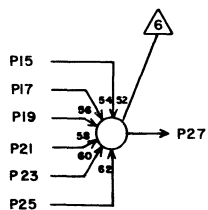
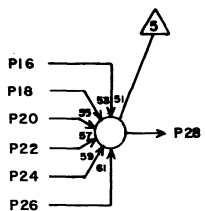
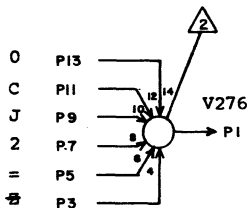
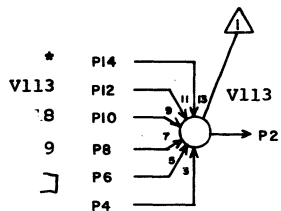
63016700 Rev. F

IP 12 C 32

1	B25	8	13
2	D32	22	9
3	A09	1	25
4	A27	26	11
5	A16	26	19
6	B19	28	17
7	A20	21	17
8	B18	28	17
9	B19	5	17
10	B18	5	17
11	B20	25	15
12	B25	9	13
13	D32	21	9
14	B16	22	19
15	E25	28	15
16	D25	18	13
17			
18	E16	16	19
19	B17	5	17
20			
21	A22	21	15
22			
23			
24			
25	B25	19	15
26			
27	A33	27	13
28	D33	13	5

JACK PIN LG

63016700 Rev. F

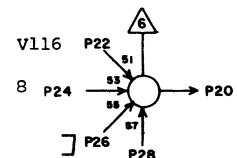
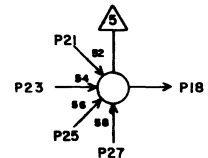
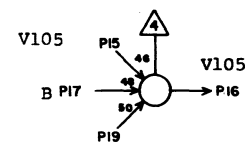
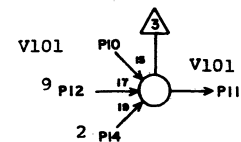
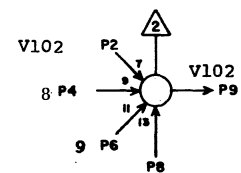
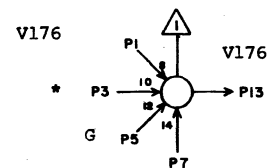


TA 12C 33

1	D34	21	9
2	D37	22	9
3	A32	7	13
4			
5	B24	11	13
6	A11	15	25
7	A34	6	15
8	A40	8	15
9	A10	6	27
10	A39	10	13
11	A15	6	23
12	B34	28	9
13	A23	5	19
14	B26	20	15
15			
16			
17			
18			
19			
20			
21			
22			
23			
24			
25			
26			
27			
28			

JACK PIN LG

63016700 Rev. F



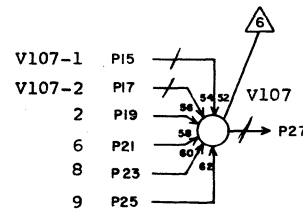
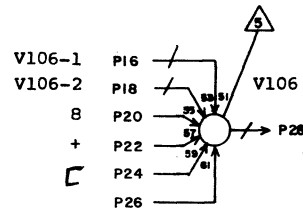
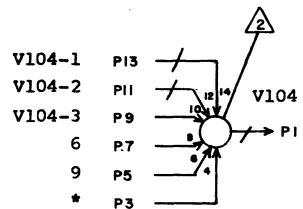
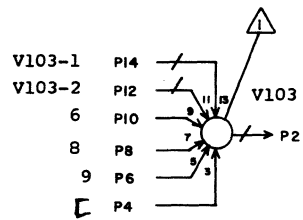
TI 12C 34

1	B30	13	9
2	B30	28	9
3	A42	1	15
4	A39	3	13
5	A19	1	19
6	A40	5	13
7			
8			
9	D36	10	7
10	B30	2	9
11	D36	2	5
12	A40	3	15
13	D36	1	5
14	A34	1	13
15	B32	13	9
16	D36	22	9
17	A39	7	13
18			
19			
20	D38	10	9
21			
22	B35	13	9
23			
24	A39	13	13
25			
26	A11	7	25
27			
28	A11	20	25

JACK PIN LG

63016700 Rev. F

12C34

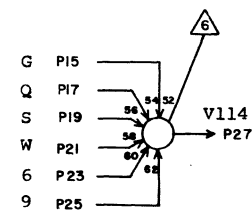
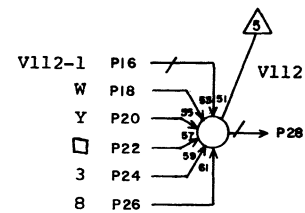
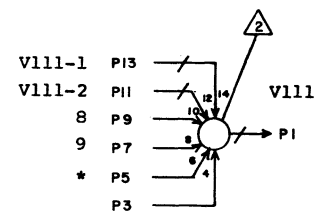
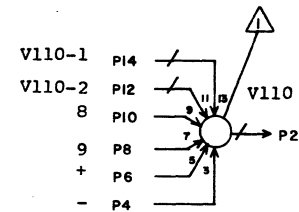


TA 12 C 35

1	D36	21	9
2	D36	15	9
3	A42	3	13
4	B23	11	15
5	A40	2	13
6	A40	7	13
7	A38	5	13
8	A39	5	13
9	B31	15	11
10	A38	3	13
11	B31	28	11
12	B31	13	11
13	B31	2	11
14	B30	15	9
15	B32	15	9
16	B32	2	9
17	B33	13	9
18	B32	28	9
19	A34	9	13
20	A39	9	13
21	A38	9	13
22	A41	1	15
23	A39	2	13
24	B23	12	15
25	A40	9	13
26			
27	D37	2	5
28	D37	1	5

JACK PIN LG

63016700 Rev. F

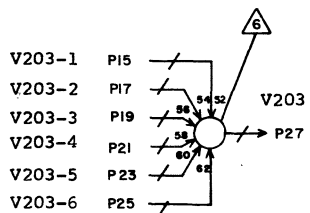
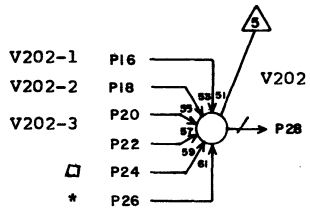
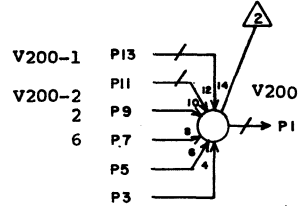
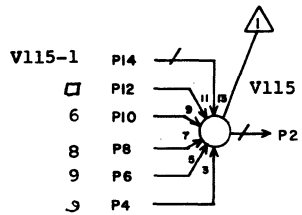


TA 12 C 36

	D37	15	9
2	D37	10	9
3			
4	B21	1	17
5	A42	5	13
6	A41	3	13
7	A40	6	13
8	A40	4	13
9	A39	6	13
10	A39	8	13
11	B34	13	9
12	B33	28	9
13	B33	15	9
14	B33	2	9
15	A19	4	21
16	B34	2	9
17	A24	5	17
18	A29	7	15
19	A26	13	15
20	A31	7	13
21	A29	9	15
22	A33	9	13
23	A38	6	13
24	A35	6	13
25	A40	10	13
26	A39	4	13
27	D38	1	9
28	D37	21	9

JACK PIN LG

63016700 Rev. F

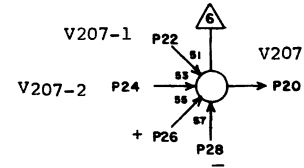
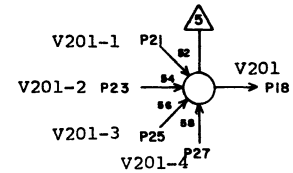
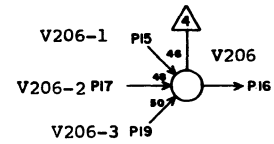
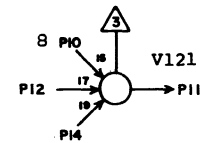
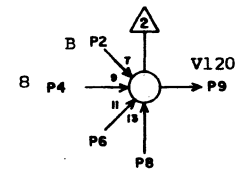
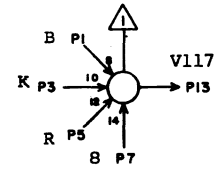


TA 12 C 37

1	D39	1	7
2	D38	2	7
3			
4	A11	25	27
5			
6	A40	11	11
7	A38	11	11
8	A39	11	11
9	A34	8	13
10	A38	8	11
11	B35	28	9
12	A33	4	13
13	B35	2	9
14	B34	15	9
15	B37	28	9
16	B36	15	9
17	B37	15	9
18	B37	13	9
19	B38	13	9
20	B37	2	9
21	B38	2	9
22			
23	B38	28	9
24	A33	6	13
25	B38	15	9
26	A42	7	15
27	D39	15	5
28	D39	10	5

JACK PIN LG

63016700 Rev. F



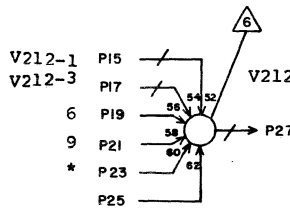
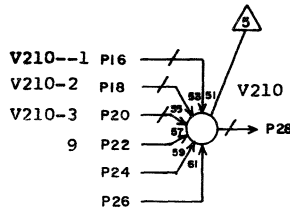
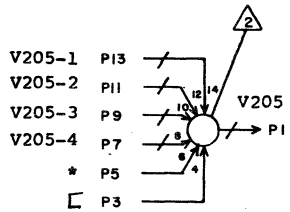
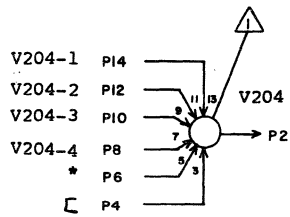
TI 12 38

1	A14	2	25
2	A14	4	25
3	A21	4	21
4	A39	15	11
5	A25	4	17
6			
7	A39	18	11
8			
9	D38	21	9
10	A39	17	11
11	D38	22	9
12			
13	D38	15	9
14			
15	B41	13	9
16	D40	1	5
17	B41	2	9
18	D39	2	5
19	B41	28	11
20	D40	2	5
21	B35	15	9
22	B41	15	11
23	B36	13	9
24	B42	13	9
25	B36	2	11
26	A41	4	13
27	B36	28	11
28	B21	2	21

JACK PIN LG

63016700 Rev. F

12C38

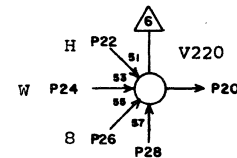
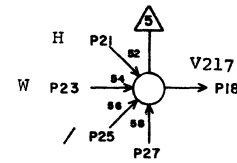
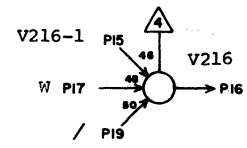
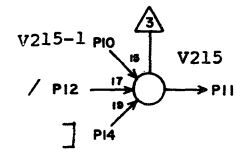
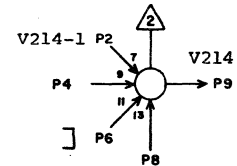
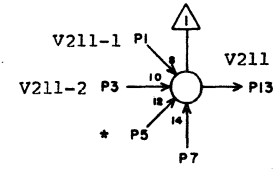


TA 12C 39

1	D39	22	9
2	D39	21	9
3	B23	9	19
4	B23	10	19
5	A42	4	13
6	A42	2	13
7	B40	15	9
8	B39	15	9
9	B40	28	9
10	B39	28	9
11	B40	2	9
12	B39	2	9
13	B40	13	9
14	B39	13	9
15	C14	28	25
16	B42	2	9
17	C14	15	25
18	B42	28	11
19	A38	17	13
20	B42	15	11
21	A40	22	13
22	A40	20	13
23	A42	8	13
24			
25			
26			
27	D40	21	7
28	D40	10	5

JACK PIN LG

63016700 Rev. F

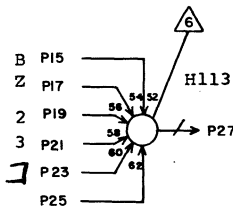
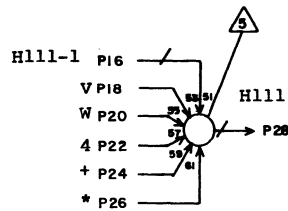
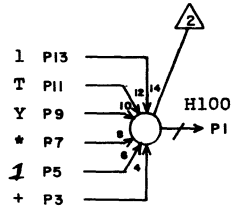
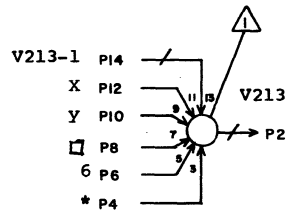


TI 12C 40

1	C14	13	27
2	C15	2	25
3	C14	2	27
4			
5	A42	6	11
6	A11	6	29
7			
8			
9	D41	1	5
10	C15	28	25
11	D41	2	5
12	B22	1	19
13	D40	15	7
14	A11	4	29
15	B29	13	15
16	D41	10	7
17	A29	26	15
18	D41	15	7
19	B22	3	23
20	D41	21	7
21	A20	13	23
22	A20	15	23
23	A29	28	17
24	A29	19	17
25	B22	2	23
26	A39	22	13
27			
28			

JACK PIN LG

63016700 Rev. F



TA 12C 41

1	D42	2	7
2	D40	22	9
3	A41	6	11
4	B26	18	19
5	B21	19	23
6	A38	20	11
7	A42	13	11
8	A33	15	13
9	A31	15	17
10	A31	11	17
11	B20	9	23
12	A30	15	17
13	A09	24	33
14	C15	13	27
15	A14	15	27
16	C17	2	25
17	A32	10	15
18	A28	24	17
19	A34	15	15
20	A29	21	17
21	A35	18	13
22	A36	8	13
23	A11	9	31
24	A41	10	11
25			
26	A42	18	13
27	E12	22	29
28	E12	15	29

JACK PIN LG

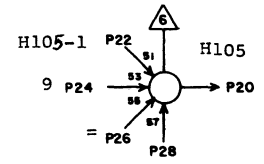
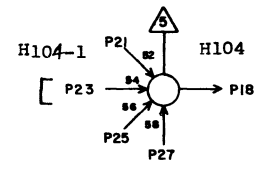
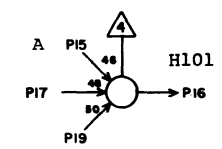
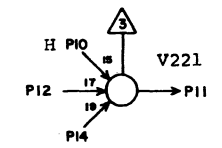
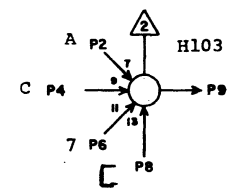
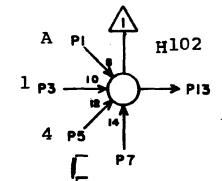
63016700 Rev. F

TI 12C 42

1	A13	15	29
2	A13	18	29
3	B21	27	21
4	A15	18	27
5	A36	6	11
6	B22	17	23
7	B23	17	21
8	B23	20	21
9	D42	15	7
10	A20	18	25
11	D41	22	9
12			
13	D42	10	7
14			
15	A13	13	29
16	D42	1	5
17			
18	D42	21	7
19			
20	D42	22	7
21	C15	15	27
22	C16	13	27
23	B23	19	21
24	A40	26	11
25			
26	B24	12	23
27			
28			

JACK PIN LG

63016700 Rev. F



12C42

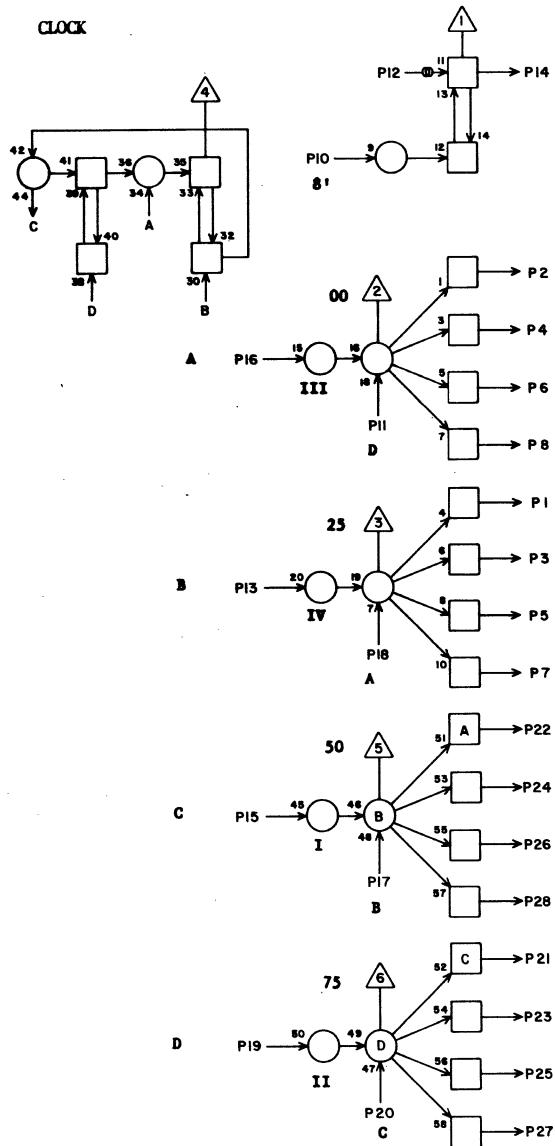
1. The first part of the document discusses the importance of maintaining accurate records of all transactions and activities. It emphasizes that this is crucial for ensuring transparency and accountability in the organization's operations.

((((((

SERIAL #3

HQ

12D01

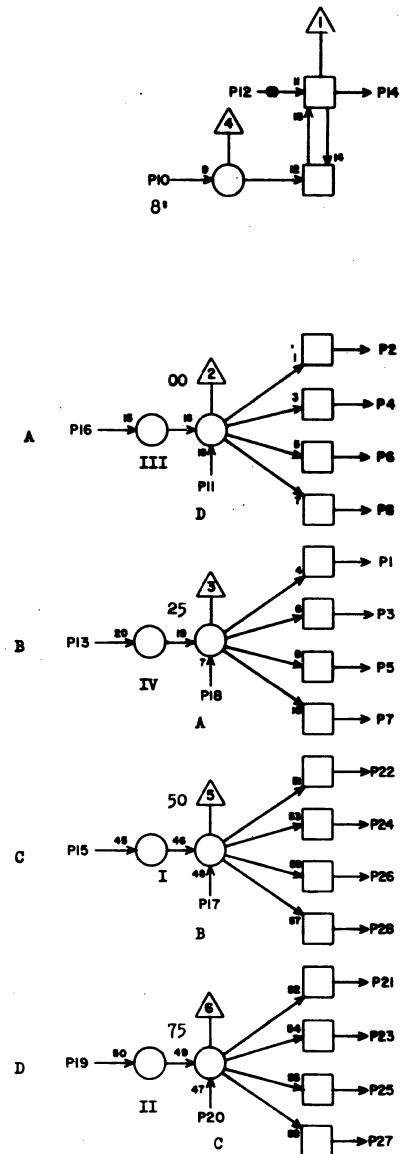


1	020	16	
2			
3			
4	020	19	84
5	D03	13	7
6	D03	16	7
7			
8			
9			
10	D02	11	84
11	D02	16	5
12	12W2	906	
13	D02	12	5
14	D02	6	5
15	D02	19	5
16	D02	9	5
17	D02	2	5
18	D02	5	5
19	D02	18	5
20	D02	23	5
21	020	15	84
22	020	13	84
23	D03	19	7
24	D03	15	7
25			
26			
27			
28			

JACK PIN LG

63016700 Rev. F

CLOCK



HQ

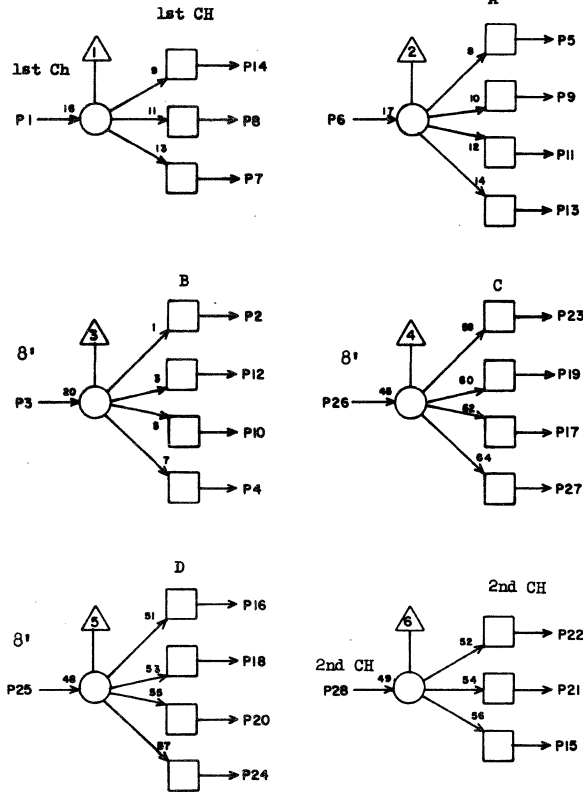
12D01

1			
2			
3			
4			
5	D03	13	5
6	D03	16	5
7			
8			
9			
10	D02	11	84
11	D02	16	5
12	12W2	906	
13	D02	12	5
14	D02	6	5
15	D02	19	5
16	D02	9	5
17	D02	2	5
18	D02	5	5
19	D02	18	5
20	D02	23	5
21			
22			
23	D03	19	5
24	D03	15	5
25			
26			
27			
28			

JACK PIN LG

63016700 Rev. F

CLOCK



12D02

TM

12D02

1	B06	3	13
2	D01	17	5
3	D02	13	96
4	D02	26	96
5	D01	18	5
6	D01	14	3
7			
8	F07	5	13
9	D01	16	5
10			
11	D01	10	96
12	D01	13	3
13	D02	3	96
14	CO4	7	9
15			
16	D01	11	3
17			
18	D01	19	3
19	D01	15	3
20			
21	F12	4	15
22	CO4	9	9
23	D01	20	3
24			
25	D02	27	96
26	D02	4	96
27	D02	25	96
28	B06	26	13

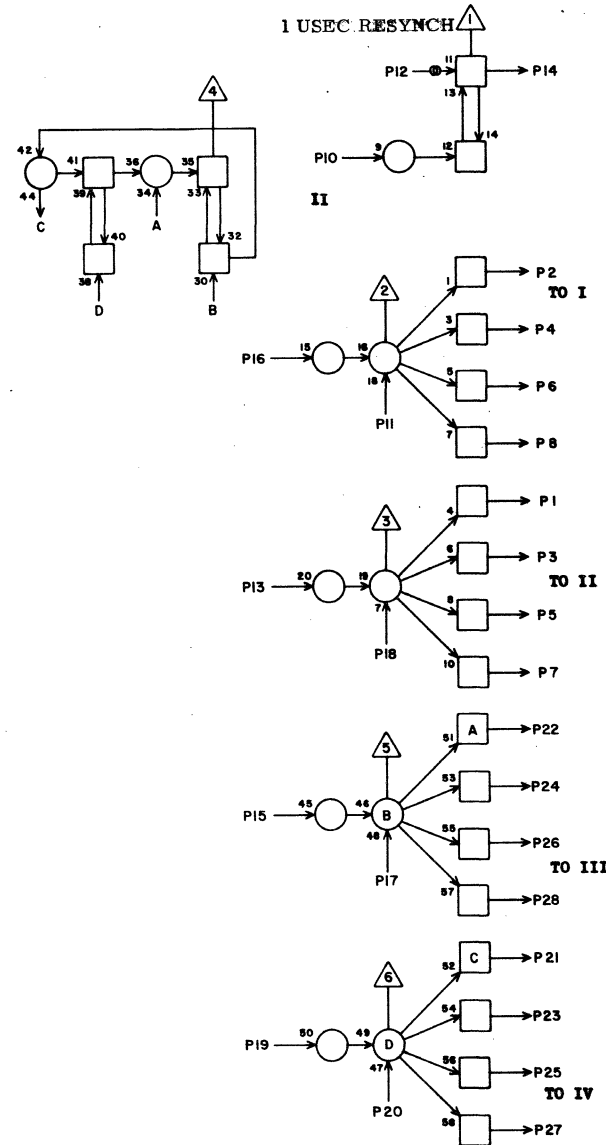
JACK PIN LG

63016700 Rev. F

CLOCK

SERIAL #4 ONLY HQ

12D03

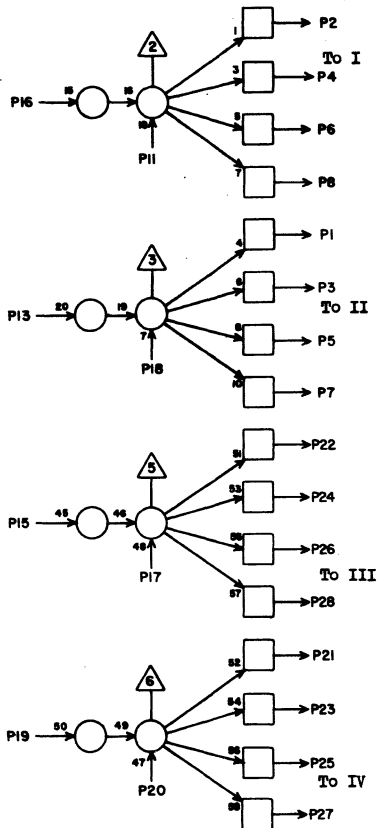
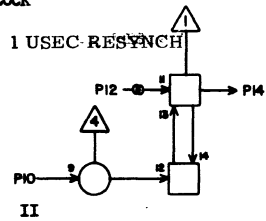


1	E07	14	9
2	E07	3	9
3	F37	12	33
4	Q21	14	
5	Q24	14	1
6	D05	3	7
7	D05	14	7
8	E22	5	
9			
10	D05	27	7
11	GND	X	2
12	(12W2 907)		
13	D01	5	7
14	E10	6	11
15	D01	24	7
16	D01	6	7
17	GND	X	2
18	GND	X	2
19	D01	23	7
20	GND	X	2
21	F33	12	29
22	C13	3	15
23	D04	14	5
24	D04	3	5
25	E22	14	
26	Q23	3	
27	Q22	14	
28			

JACK PIN LG

63016700 Rev. F

CLOCK



HQ

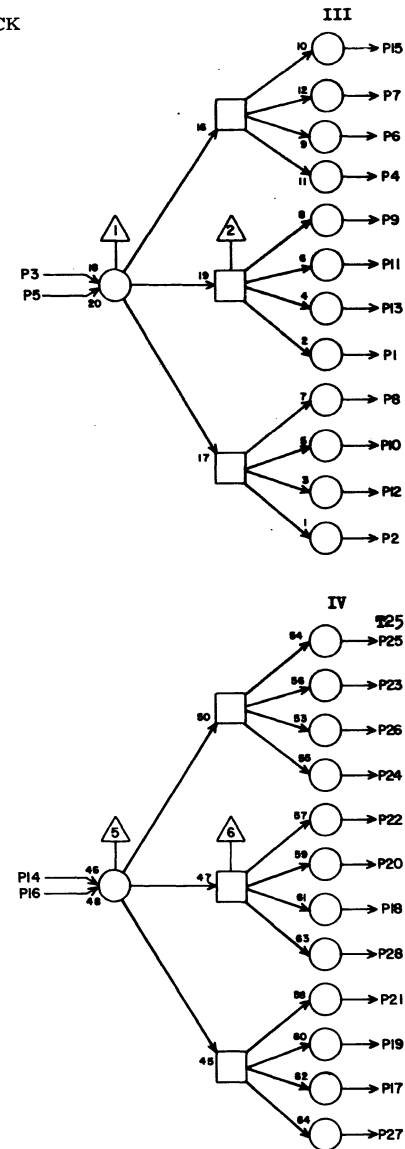
12D03

1	E07	14	9
2	E07	3	9
3	F37	12	33
4			
5			
6	D05	3	5
7	D05	14	5
8			
9			
10	D05	27	5
11	GND	X	2
12	(12W2 907)		
13	D01	5	5
14	E10	6	11
15	D01	24	5
16	D01	6	5
17	GND	X	2
18	GND	X	2
19	D01	23	5
20	GND	X	2
21	F33	12	29
22	C13	3	15
23	DO4	14	5
24	DO4	3	5
25			
26			
27			
28			

JACK PIN LG

63016700 Rev. F

CLOCK



TC

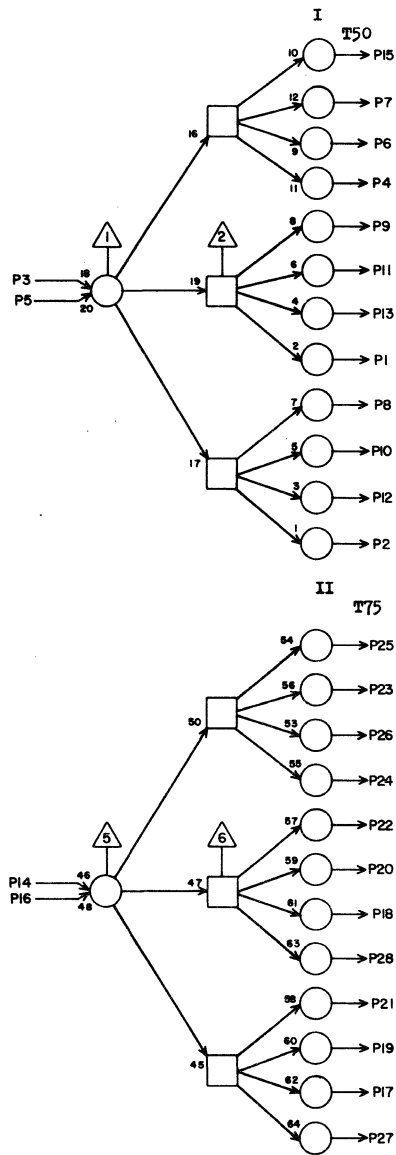
12D04

1			
2	E39	16	33
3	D03	24	5
4			
5	GND	X	2
6			
7			
8	C11	22	11
9	C06	20	7
10	C11	7	13
11	D09	23	9
12	D09	24	9
13			
14	D03	23	5
15	B06	7	13
16	GND	X	2
17	DO7	18	5
18			
19	DO7	11	9
20			
21			
22			
23			
24			
25			
26	E26	16	23
27			
28			

JACK PIN LG

63016700 Rev. F

CLOCK



TC

12D05

1	E02	18	11
2	D17	7	15
3	D03	6	5
4	D13	7	11
5	GND	X	2
6	D12	7	11
7	D11	7	9
8	E03	18	9
9	D14	7	13
10	C06	9	9
11	D15	7	13
12	D16	7	15
13	E01	18	9
14	D03	7	5
15	D10	7	9
16	GND	X	2
17	B06	8	11
18	B01	12	13
19			
20	C08	16	9
21			
22	A04	22	15
23	A01	12	17
24	A04	7	17
25	A02	12	17
26	A03	12	17
27	D03	10	5
28	B02	12	13

JACK PIN LG

63016700 Rev. F

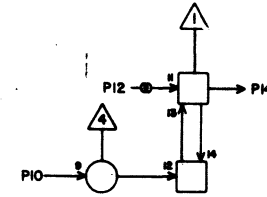
HQ

12 D06

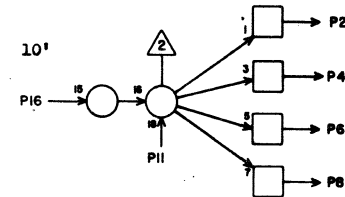
1			
2	C03	23	11
3			
4	F07	7	13
5			
6	B06	22	9
7	B06	12	11
8			
9			
10			
11	D08	16	5
12			
13	F10	17	130
14			
15	C04	3	239
16	D08	14	120
17	D06	X	2
18	F10	19	13
19			
20			
21			
22			
23			
24	E28	19	23
25			
26	F42	16	33
27			
28	F28	16	23

JACK PIN LG

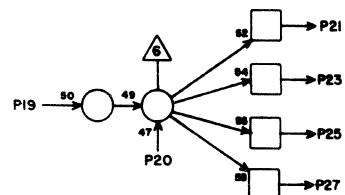
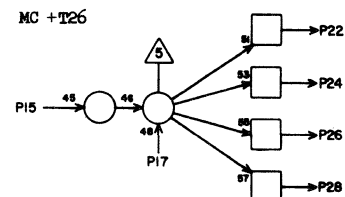
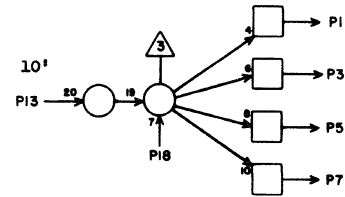
63016700 Rev. F



One Shot Start CH



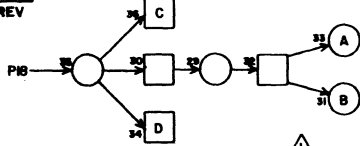
1st CH 1 Shot



12D06

LS 63060900
ASSY

C
REV



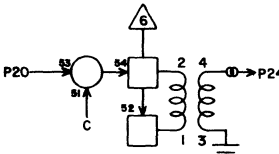
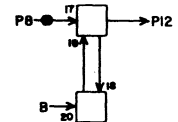
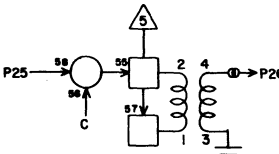
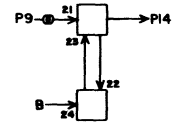
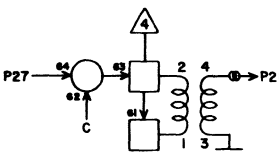
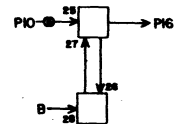
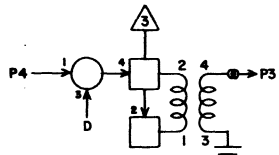
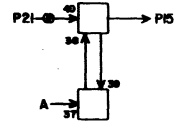
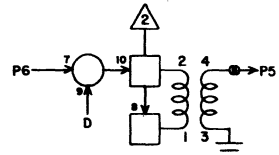
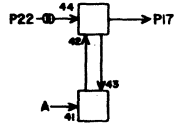
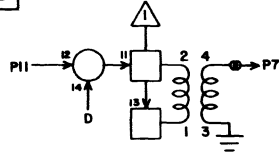
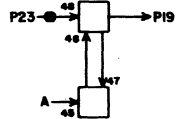
QJ

12D07

1			
2			
3			
4			
5	W4	907	
6	E10	5	11
7	W4	906	
8			
9			
10			
11	D4	19	9
12			
13			
14			
15			
16			
17			
18	D4	17	5
19			
20			
21			
22			
23			
24			
25			
26			
27			
28			

JACK PIN LG
CIRCUIT SPECIFICATION 11827600

63016700 Rev. B

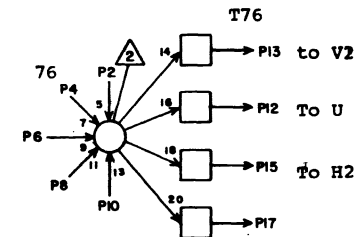
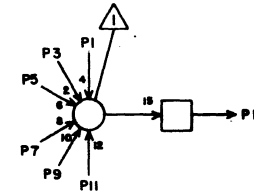


TB 12D08

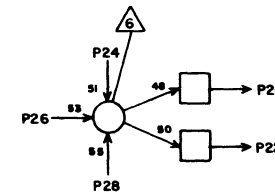
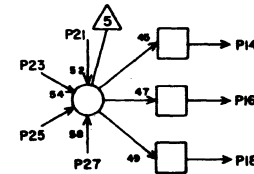
1			
2	C06	6	9
3			
4			
5			
6			
7			
8			
9			
10			
11			
12	D34	24	27
13	D34	23	27
14	D06	16	120
15	D25	23	19
16	D06	11	5
17	D36	3	29
18			
19			
20			
21	C04	11	9
22			
23	good	x	2
24			
25	good	x	2
26			
27	good	x	2
28			

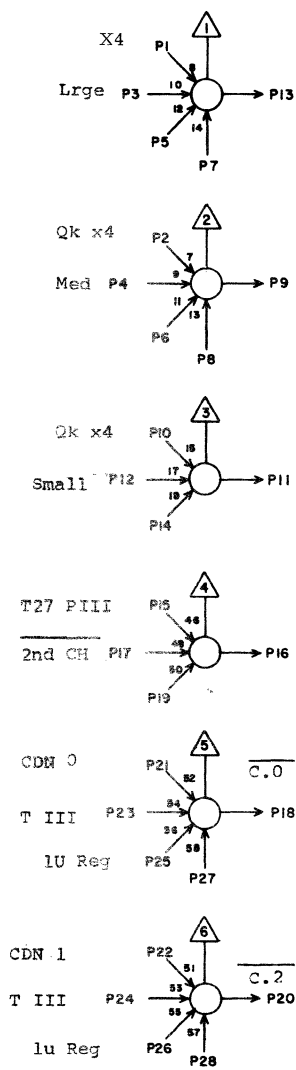
JACK PIN LG

63016700 Rev. F



1st CH + 2nd CH



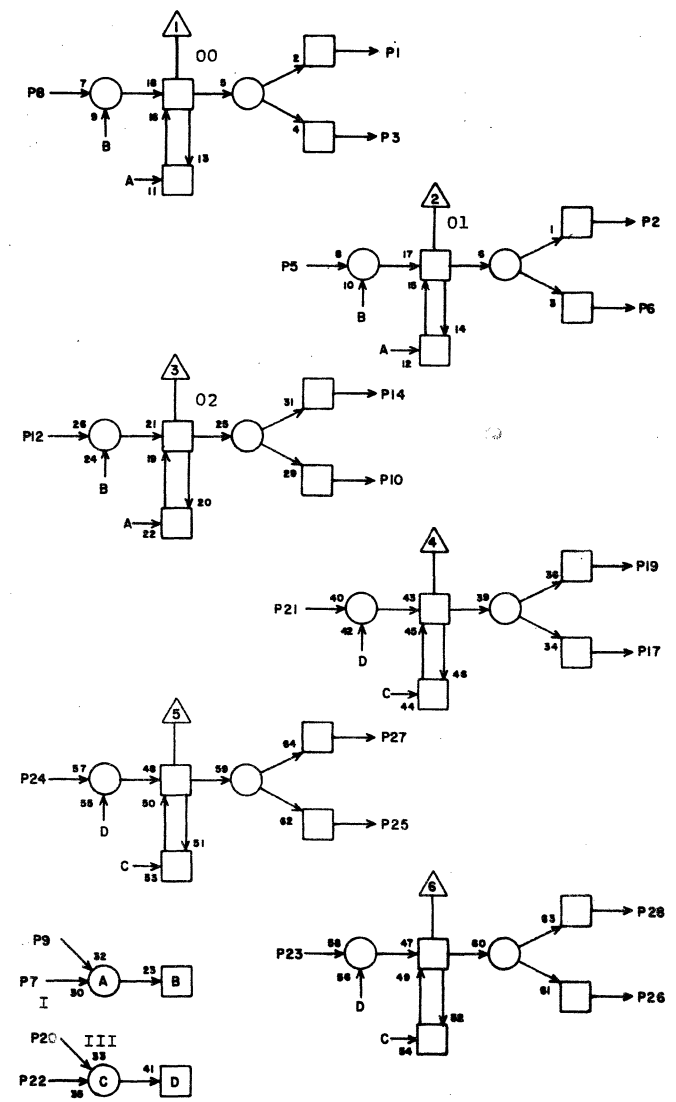


TI 12 D 09

JACK	PIN	LG
1	C11	27 5
2	F15	22 15
3	F13	20 15
4	F13	7 13
5	DO9	X 2
6	DO9	x 2
7	DO9	x 2
8	DO9	x 2
9	F14	3 13
10	F15	21 15
11	F14	5 13
12	F13	6 13
13	F14	1 13
14	DO9	x 2
15	D17	28 11
16	D20	26 15
17	B06	19 13
18	F05	11 11
19	DO9	x 2
20	F06	11 11
21	C03	18 13
22	C03	20 13
23	D04	11 9
24	D04	12 9
25	E38	28 27
26	E38	26 27
27	DO9	x 2
28	DO9	x 2

63016700 Rev. F

CHARACTER TIMING CHAIN



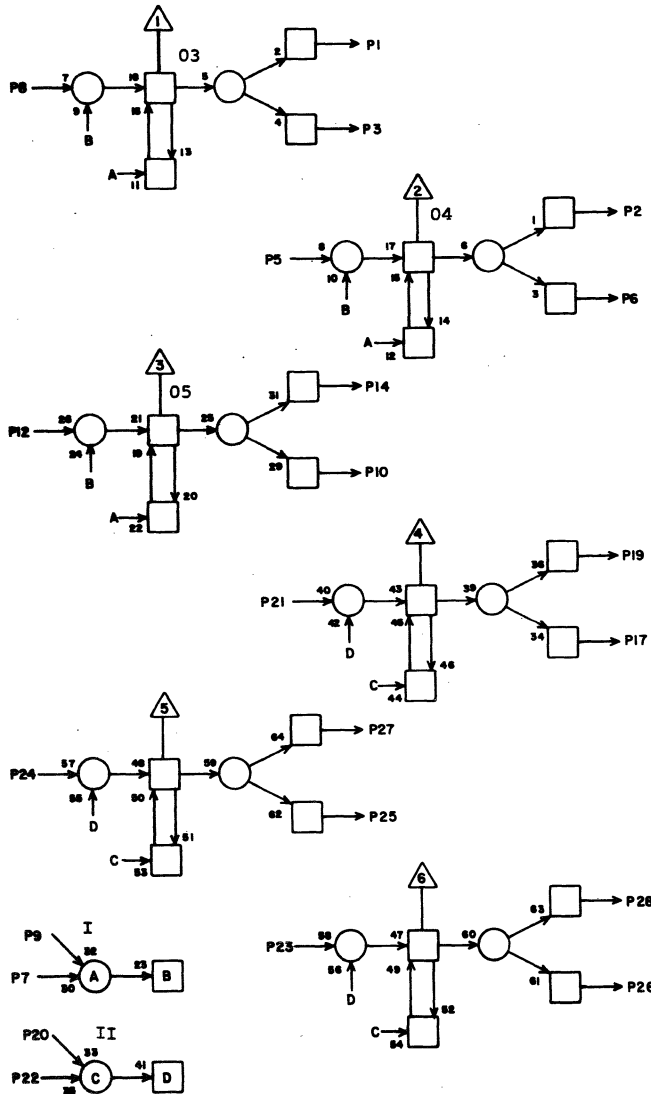
12D10

PA 12D 10

JACK	PIN	LG
1	D10	21 5
2	D10	24 5
3	D18	1 11
4		
5	D10	19 5
6	D18	2 11
7	DO5	15 9
8	C06	19 9
9	D18	X 2
10	D18	25 11
11		
12	D10	27 5
13		
14	D10	23 5
15		
16		
17		
18		
19	D10	5 5
20	C13	10 9
21	D10	1 5
22	D10	X 2
23	D10	14 5
24	D10	2 5
25		
26		
27	D10	12 5
28	D11	8 5

63016700 Rev. F

CHARACTER TIMING CHAIN



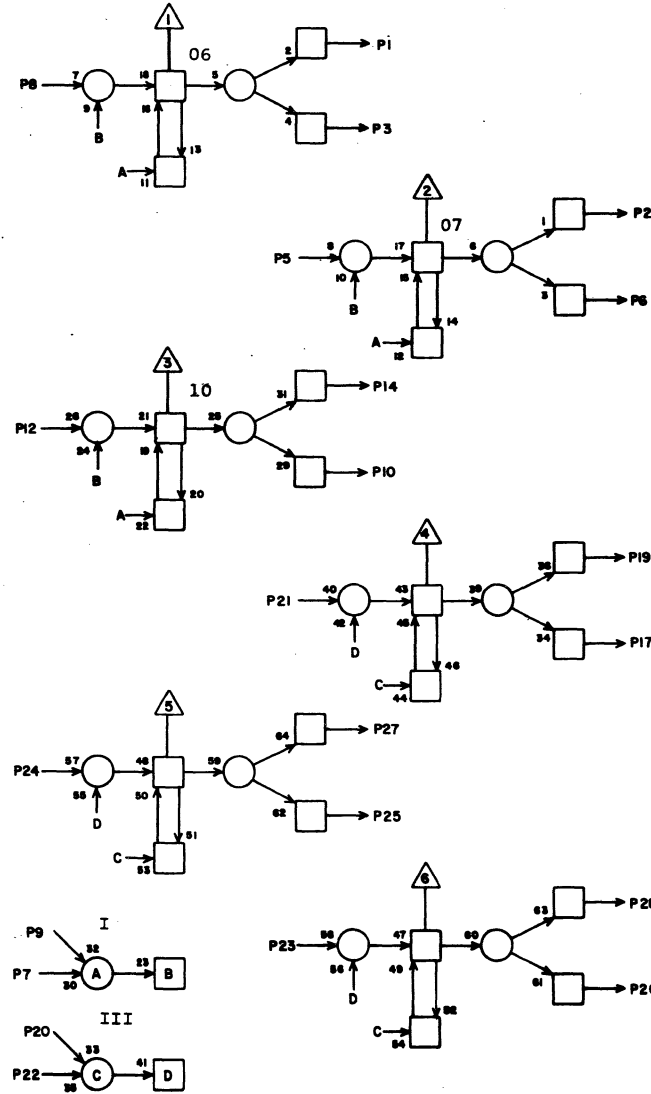
PA 12D 11

1	D11	21	5
2	D11	24	5
3	D18	26	11
4			
5	D11	19	5
6	D19	1	11
7	D05	7	9
8	D10	28	5
9	D11	x	2
10	D19	2	11
11			
12	D11	27	5
13			
14	D11	23	5
15			
16			
17			
18			
19	D11	5	5
20	C13	6	9
21	D11	1	6
22	D11	X	2
23	D11	14	5
24	D11	2	5
25	CO3	4	13
26			
27	D11	12	5
28	D12	8	5

JACK PIN LG

63016700 Rev. F

CHARACTER TIMING CHAIN



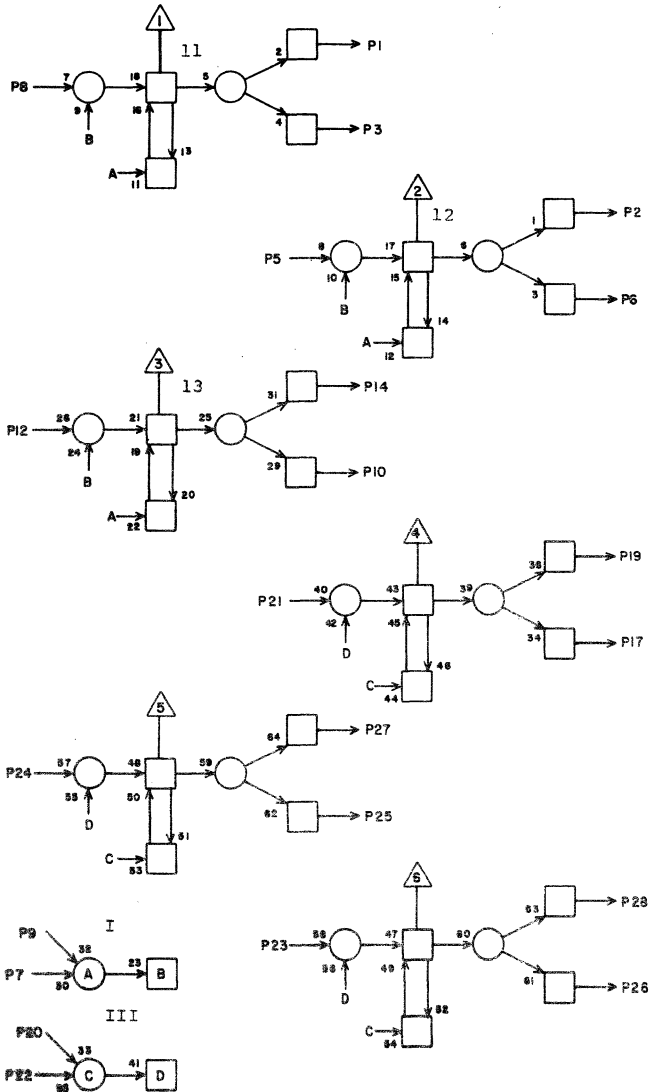
PA 12D 12

1	D12	21	5
2	D12	24	5
3	D19	25	11
4			
5	D12	19	5
6	D19	26	11
7	D05	6	11
8	D11	28	5
9	D12	x	2
10	D20	1	11
11			
12	D12	27	5
13			
14	D12	23	5
15			
16			
17	D20	9	13
18			
19	D12	5	5
20	C13	4	9
21	D12	1	5
22	D12	x	2
23	D12	14	5
24	D12	2	5
25			
26			
27	D12	12	5
28	D13	8	5

JACK PIN LG

63016700 Rev. F

CHARACTER TIMING CHAIN



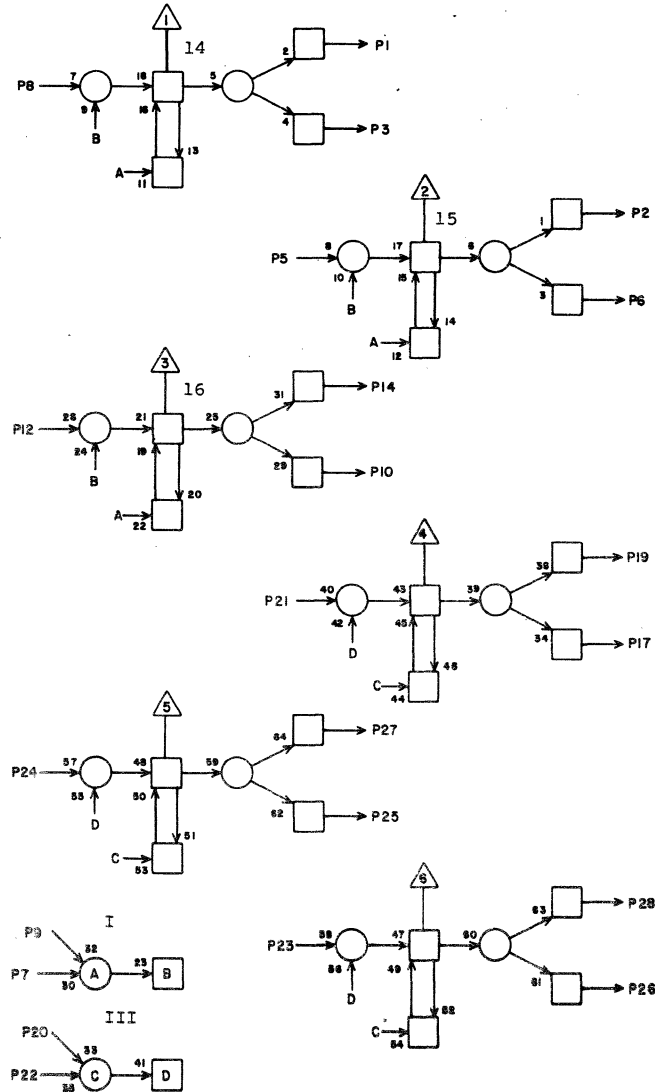
PA 12D 13

1	D13	21	5
2	D13	24	5
3	D20	2	9
4			
5	D13	19	5
6	D20	25	11
7	D05	4	11
8	D12	29	5
9	D13	X	2
10	D21	1	11
11			
12	D13	27	5
13			
14	D13	23	5
15			
16			
17			
18			
19	D13	5	5
20	C13	9	9
21	D13	1	5
22	D13	X	2
23	D13	14	5
24	D13	2	5
25			
26			
27	D13	12	5
28	D14	8	5

JACK PIN LG

63016700 Rev. F

CHARACTER TIMING CHAIN



PA 12D 14

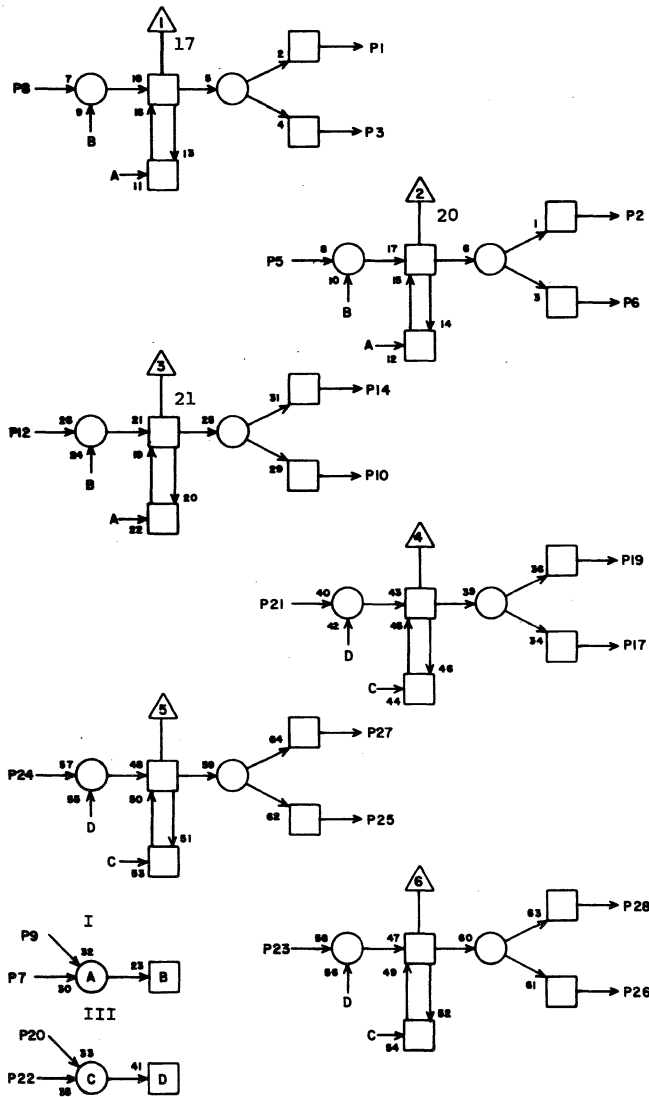
1	D14	21	5
2	D14	24	5
3	D21	2	9
4			
5	D14	19	5
6	D21	25	11
7	D05	9	13
8	D13	28	5
9	D14	X	2
10	D21	26	11
11			
12	D14	27	5
13			
14	D14	23	5
15			
16			
17			
18			
19	D14	5	5
20	C13	11	9
21	D14	1	5
22	D14	X	2
23	D14	14	5
24	D14	2	5
25			
26			
27	D14	12	5
28	D15	8	5

JACK PIN LG

63016700 Rev. F

12D14

CHARACTER TIMING CHAIN



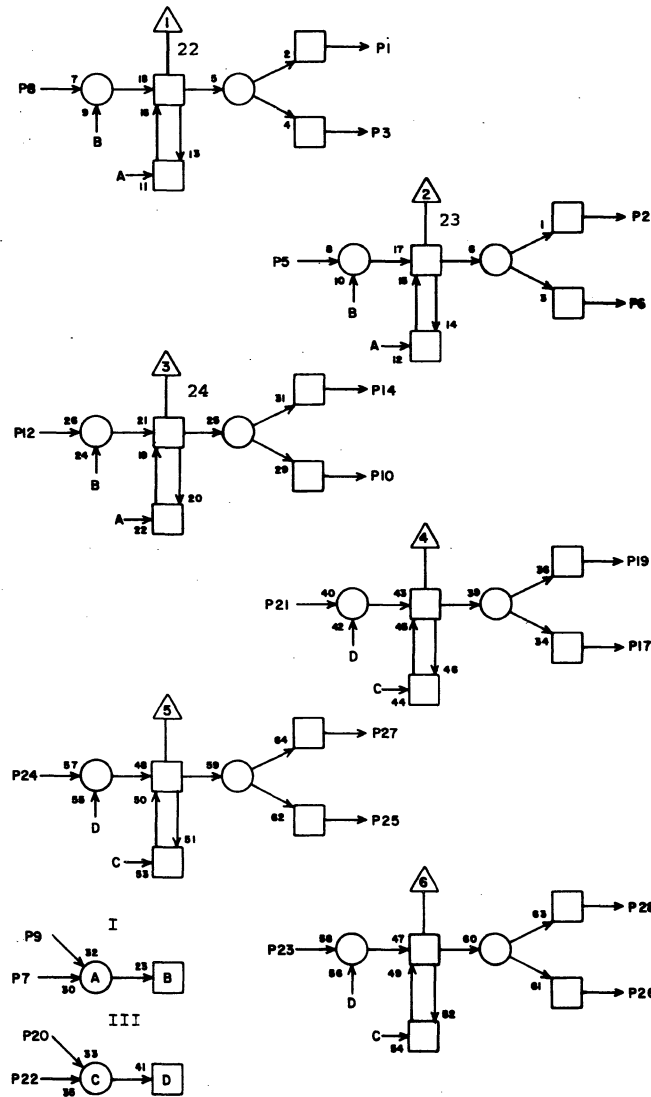
PA 12D 15

1	D15	21	5
2	D15	24	5
3	D22	1	11
4			
5	D15	19	5
6	D22	2	11
7	D05	11	13
8	D14	28	5
9	D15	X	2
10	D22	25	11
11			
12	D15	27	5
13			
14	D15	23	5
15			
16			
17			
18			
19	D15	5	5
20	C13	13	9
21	D15	1	5
22	D15	X	2
23	D15	14	5
24	D15	2	5
25			
26			
27	D15	12	5
28	D16	8	5

JACK PIN LG

63016700 Rev. F

CHARACTER TIMING CHAIN



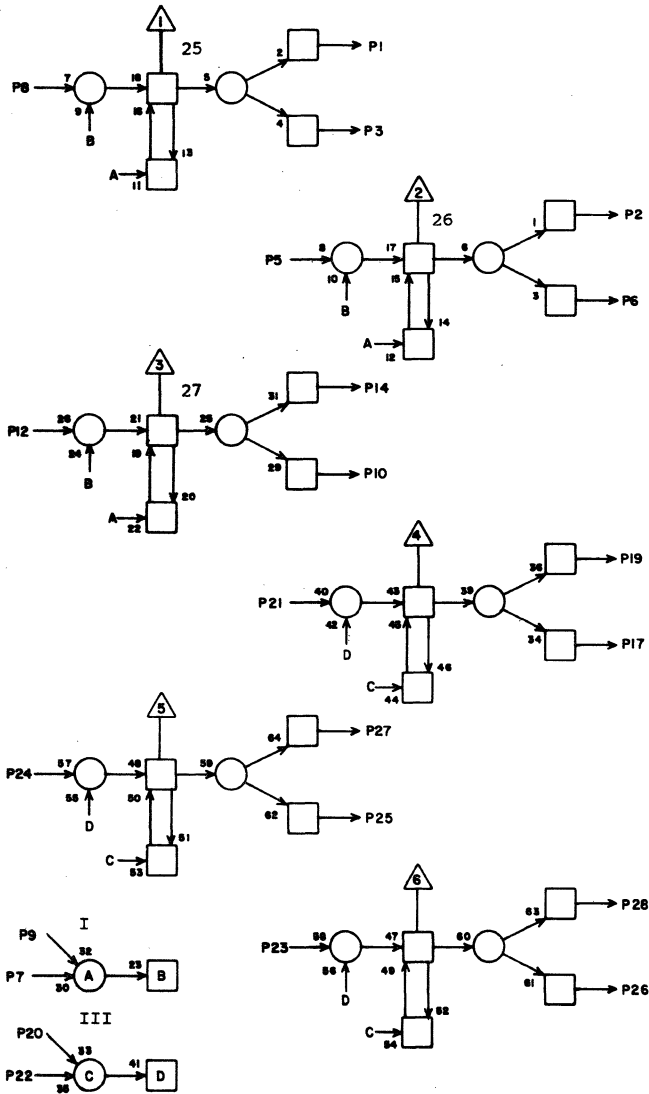
PA 12D 16

1	D16	21	5
2	D16	24	5
3	D22	26	9
4			
5	D16	19	5
6	D23	1	11
7	D05	12	15
8	D15	28	5
9	D16	X	2
10	D23	25	11
11			
12	D16	27	5
13			
14	D16	23	5
15			
16			
17			
18			
19	D16	5	5
20	C13	1	9
21	D16	1	5
22	D16	X	2
23	D16	14	5
24	D16	2	5
25			
26			
27	D16	12	5
28	D17	8	5

JACK PIN LG

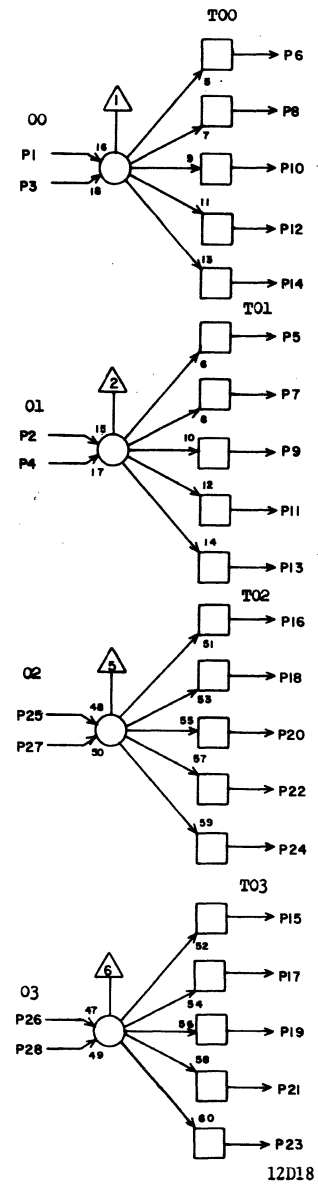
63016700 Rev. F

CHARACTER TIMING CHAIN



PA			
12D17			
JACK	PIN	LG	
1	D17	21	5
2	D17	24	5
3	D23	2	9
4			
5	D17	19	5
6	D23	26	9
7	D05	2	15
8	D16	28	5
9	D17	X	2
10	B06	17	15
11			
12	D17	27	5
13			
14	D17	23	5
15			
16			
17			
18			
19	D17	5	5
20	C13	8	9
21	D17	1	5
22	D17	X	2
23	D17	14	5
24	D17	2	5
25			
26			
27	D17	12	5
28	D09	15	11

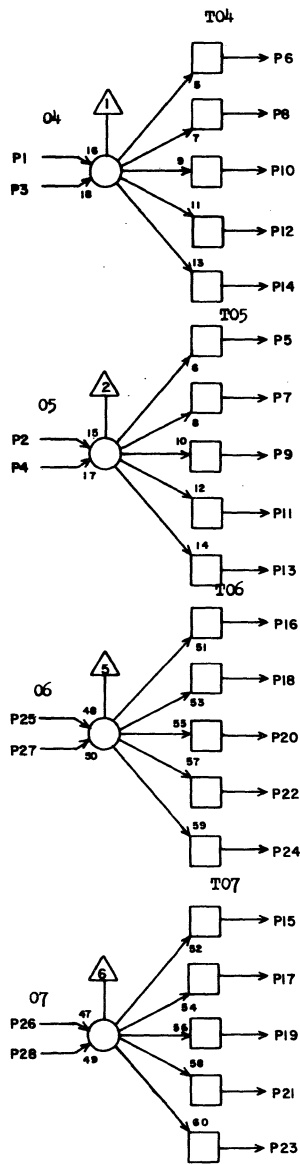
63016700 Rev. F



12D18

T D			
12D18			
JACK	PIN	LG	
1	D10	3	11
2	D10	6	11
3	D18	X	2
4	D18	X	2
5	D36	4	19
6			
7	D39	4	21
8	D39	3	23
9	D42	3	25
10	D42	4	25
11	E14	3	9
12	E13	24	11
13	E17	4	7
14	E17	3	7
15	D36	17	19
16	D36	12	19
17	D39	17	23
18	D39	12	23
19	D42	17	25
20	D42	12	25
21	E14	12	9
22	E14	4	9
23	E17	17	7
24	E17	12	7
25	D10	10	11
26	D11	3	11
27	D18	X	2
28	D18	X	2

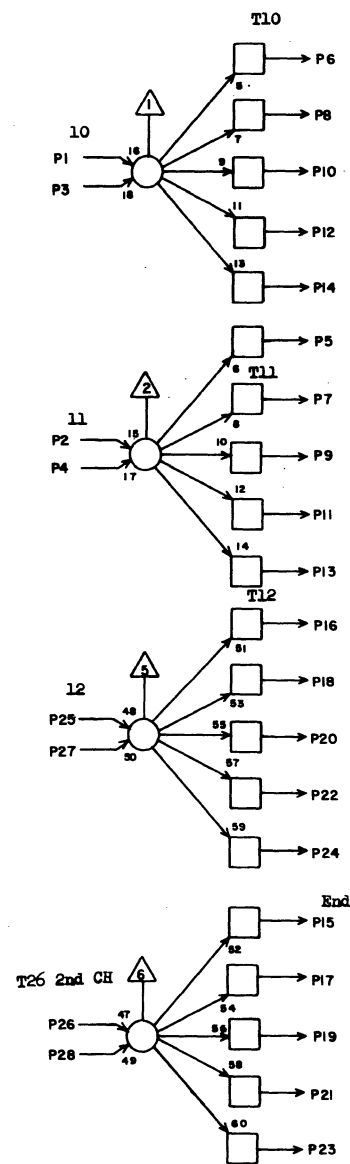
63016700 Rev. F



T D 12D19

1	D11	6	11
2	D11	10	11
3	D19	X	2
4	D19	X	2
5	D36	24	19
6	D36	23	19
7	D39	24	21
8	D39	23	21
9	D42	24	23
10	D42	23	25
11	E14	23	11
12	E14	17	9
13	E17	23	9
14			
15	D37	4	19
16	D37	3	21
17	D40	4	21
18	D40	3	21
19	E12	4	11
20	E12	3	11
21	E15	3	7
22	E14	24	9
23	E18	03	5
24	E17	24	7
25	D12	3	11
26	D12	6	11
27	D19	X	2
28	D19	X	2

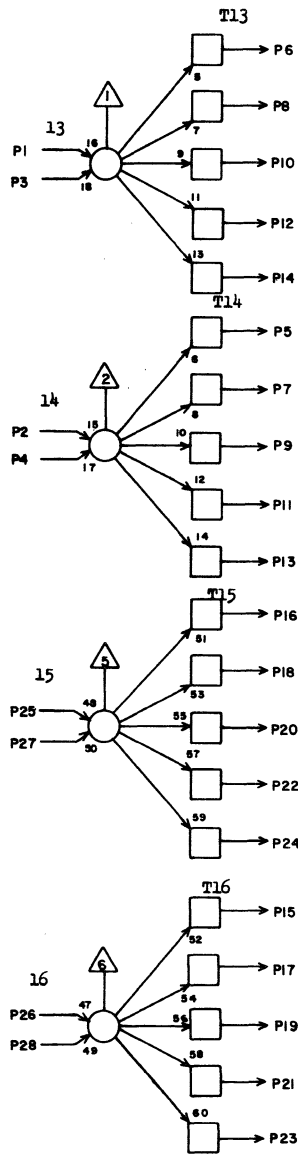
JACK PIN LG
63016700 Rev. F



T D 12D20

1	D12	10	11
2	D13	3	9
3	END	X	2
4	END	X	2
5	D37	17	19
6	D37	12	19
7	D40	17	21
8	D40	12	21
9	E12	17	13
10	E12	12	13
11	E15	12	11
12	E15	4	9
13	E18	12	7
14	E18	4	5
15	A05	15	21
16	D37	23	19
17	A05	14	21
18	D40	23	21
19	A06	15	21
20	E12	23	11
21	A06	14	21
22	E15	17	11
23	E09	15	13
24	E18	17	7
25	D13	6	11
26	D09	16	15
27	END	X	2
28	END	X	2

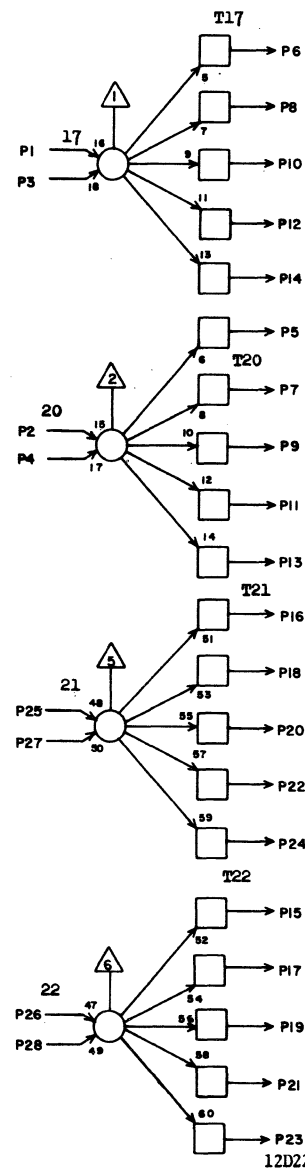
JACK PIN LG
63016700 Rev. F



T D 12D21

1	D13	10	11
2	D14	3	9
3	D21	X	2
4	D21	X	2
5	D38	3	19
6	D37	24	17
7	D41	3	21
8	D40	24	23
9	E13	3	13
10	E12	24	15
11	E15	24	11
12	E15	23	11
13	E18	24	9
14	E18	23	9
15	D38	12	19
16	D38	4	19
17	D41	12	21
18	D41	4	23
19	E13	12	13
20	E13	4	11
21	E16	4	11
22	E16	3	11
23	E19	4	5
24	E19	3	5
25	D14	6	11
26	D14	10	11
27	D21	X	2
28	D21	X	2

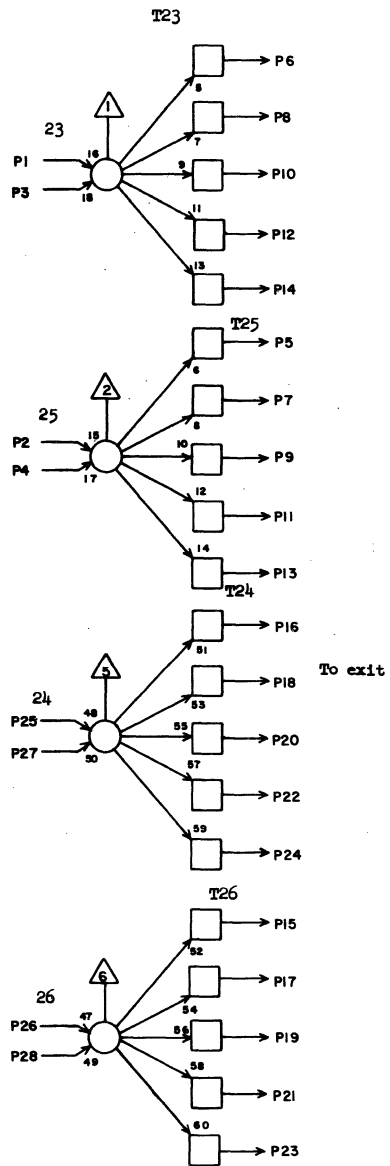
JACK PIN LG
63016700 Rev. F



T D 12D22

1	D15	3	11
2	D15	6	11
3	D21	X	2
4	D22	X	2
5	D38	23	17
6	D38	17	19
7	D41	23	21
8	D41	17	21
9			
10	E13	17	13
11	E16	23	11
12	E16	12	11
13	E19	17	9
14	E19	12	9
15			
16	D38	24	17
17			
18	D41	24	19
19	F12	2	15
20			
21	E16	17	11
22	E16	24	11
23	E19	24	9
24	E19	23	7
25	D15	10	11
26	D16	3	9
27	D21	X	2
28	D22	X	2

JACK PIN LG
63016700 Rev. F



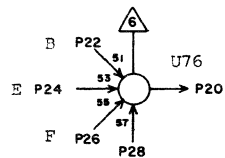
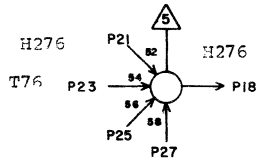
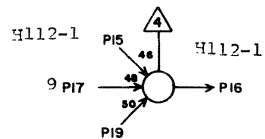
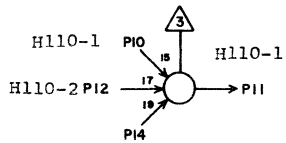
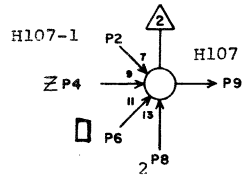
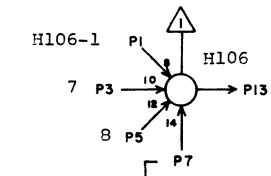
T D

12D23

1	D16	6	11
2	D17	3	9
3	GND	X	2
4	GND	X	2
5			
6	E13	23	13
7			
8			
9			
10			
11			
12			
13	C04	24	21
14			
15	C04	10	21
16	E25	17	7
17	C05	4	21
18	C05	21	21
19			
20	C05	10	21
21			
22			
23			
24			
25	D16	10	11
26	D17	6	9
27	GND	X	2
28	GND	X	2

JACK PIN LG

63016700 Rev. F

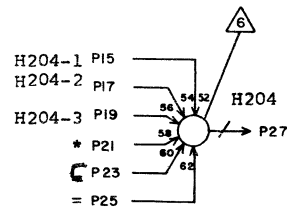
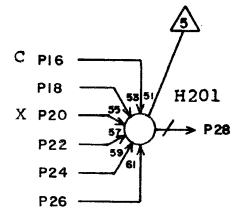
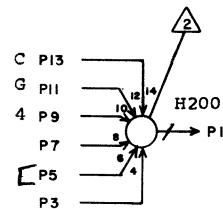
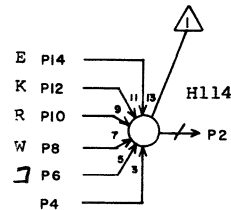


TI 12D 25

1	C16	2	13
2	C16	28	13
3	B22	19	11
4	A32	8	17
5	A39	24	19
6	A33	17	17
7	B23	27	11
8	A34	13	17
9	E12	2	17
10	C16	15	13
11	E12	10	17
12	C17	13	13
13	E12	1	15
14			
15	C17	28	13
16	E12	21	15
17	A40	28	19
18	C32	16	13
19			
20	D34	22	13
21	D33	27	13
22	A09	11	21
23	D08	15	19
24	A17	23	17
25			
26	A18	20	17
27	good	x	2
28	good	x	2

JACK PIN LG

63016700 Rev. F

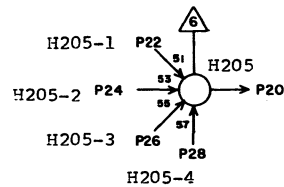
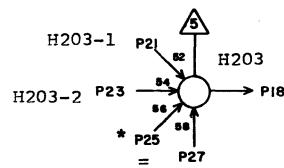
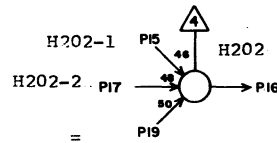
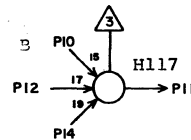
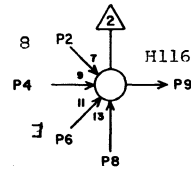
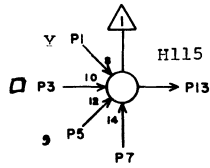


TA 12D 26

1	E13	22	17
2	E13	1	15
3			
4			
5	B23	23	11
6	A11	11	21
7			
8	A29	23	15
9	A36	11	17
10	A25	15	15
11	A19	26	17
12	A21	15	17
13	A15	22	19
14	A17	11	17
15	C19	13	13
16	A15	24	19
17	C19	2	13
18			
19	C19	28	13
20	A30	17	17
21	A42	22	21
22			
23	B23	24	11
24			
25	B24	17	13
26			
27	E14	15	15
28	E14	1	15

JACK PIN LG

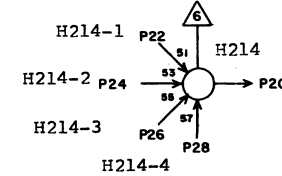
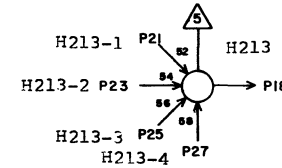
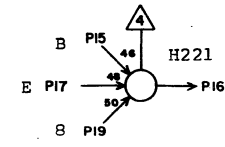
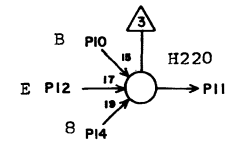
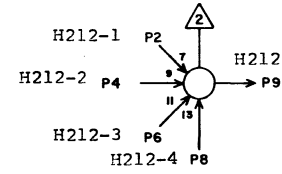
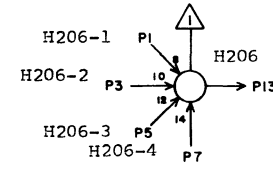
63016700 Rev. F



TI 12D 27

1	A31	22	15
2	A39	28	17
3	A33	24	15
4			
5	A11	23	21
6	A11	13	21
7			
8			
9	E13	10	17
10	A14	18	19
11	E13	15	17
12			
13	E13	2	17
14			
15	C18	13	15
16	E14	2	15
17	C18	2	15
18	E14	10	15
19	B24	10	13
20	E14	21	15
21	C18	28	15
22	C19	15	13
23	C18	15	15
24	C20	13	13
25	A42	20	21
26	C20	2	13
27	B24	9	13
28	C20	28	13

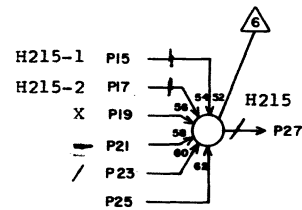
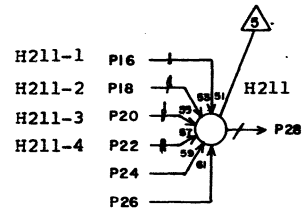
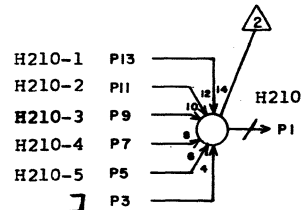
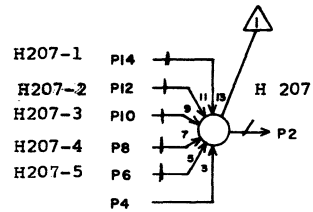
JACK PIN LG
63016700 Rev. F



TI 12D28

1	C20	15	13
2	C26	2	9
3	C22	13	11
4	C26	28	9
5	C22	2	11
6	C26	15	9
7	C22	28	11
8	C27	13	9
9	E15	15	17
10	A09	6	23
11	E16	21	15
12	A17	19	17
13	E14	22	17
14	A10	21	23
15	A09	4	25
16	E16	22	15
17	A17	21	17
18	E15	21	15
19	A10	19	23
20	E15	22	17
21	C27	2	9
22	C28	2	9
23	C27	28	9
24	C28	28	9
25	C27	15	9
26	C28	15	9
27	C28	13	9
28	C29	13	9

JACK PIN LG
63016700 Rev. F

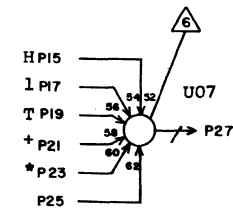
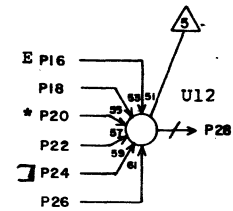
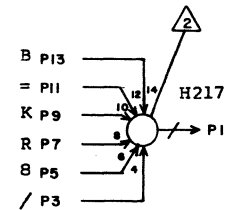
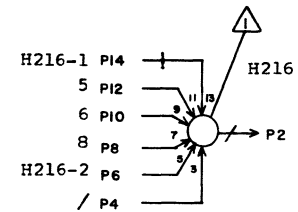


TA 12 D 29

1	E15	2	17
2	E15	1	17
3	All	1	23
4			
5	C25	13	11
6	C23	15	11
7	C24	15	11
8	C23	28	11
9	C24	28	11
10	C23	2	11
11	C24	2	11
12	C23	13	11
13	C24	13	11
14	C22	15	11
15	C29	2	9
16	C25	2	11
17	C29	28	9
18	C25	28	11
19	A42	21	19
20	C25	15	11
21	B21	5	15
22	C26	13	9
23	B22	4	15
24			
25			
26			
27	E16	1	15
28	E15	10	17

JACK PIN LG

63016700 Rev. F



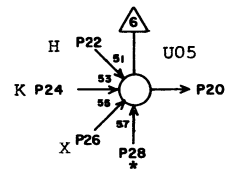
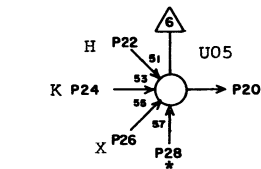
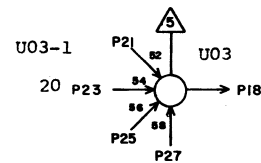
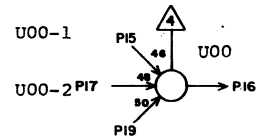
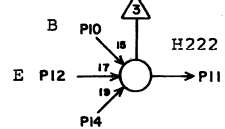
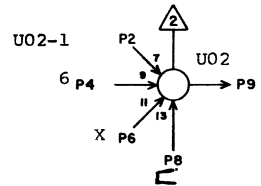
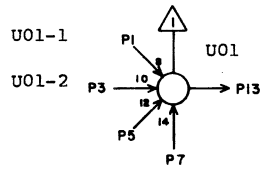
TA 12 D 30

1	E16	10	17
2	E16	2	17
3	B26	23	13
4	B22	5	15
5	A10	28	25
6	B29	28	11
7	A25	25	15
8	A10	18	25
9	A21	25	17
10	A12	13	23
11	B24	22	17
12	A37	23	15
13	A09	7	25
14	C29	15	9
15	A20	28	17
16	B25	5	13
17	A09	18	25
18			
19	B20	15	17
20	B26	12	13
21	A41	24	19
22			
23	B26	2	15
24	A11	10	25
25			
26			
27	E18	1	15
28	E18	15	15

JACK PIN LG

63016700 Rev. F

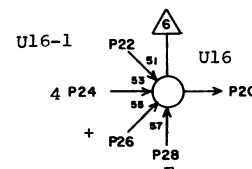
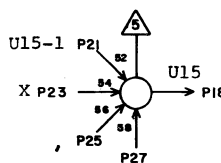
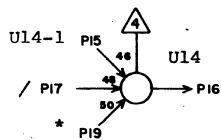
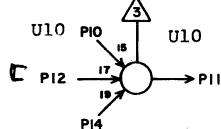
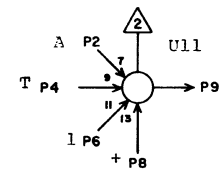
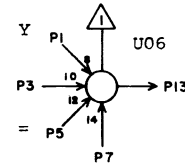
12D30



TI 12D 31

1	C30	28	5
2	C31	13	5
3	C30	15	5
4	A12	8	23
5			
6	A41	22	17
7			
8	B23	13	15
9	E17	10	17
10	A09	9	25
11	E16	15	17
12	A17	28	19
13	E17	2	17
14			
15	C30	13	9
16	E17	1	17
17	C30	2	9
18	E17	15	17
19			
20	E17	21	17
21	C31	2	9
22	A20	26	19
23	B25	16	15
24	B25	12	15
25			
26	A30	23	15
27			
28	A42	25	19

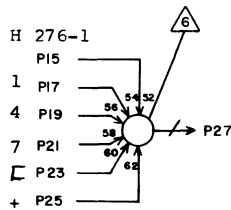
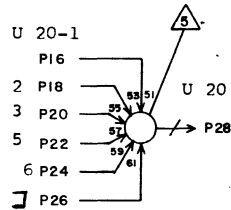
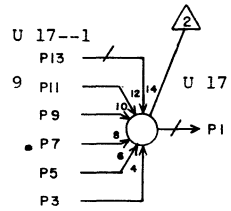
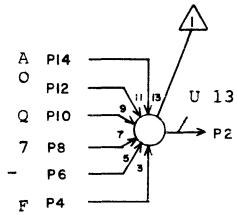
JACK PIN LG
63016700 Rev. F



TI 12D 32

1	A31	25	13
2	A13	25	23
3			
4	B20	18	17
5	B24	21	13
6	B21	13	15
7			
8	A41	26	17
9	E18	10	17
10	C31	28	7
11	E18	2	17
12	B23	15	17
13	E17	22	19
14			
15	C31	15	7
16	E18	22	17
17	B26	19	13
18	E19	1	15
19	B26	10	15
20	E19	2	15
21	C32	13	9
22	C32	2	9
23	A30	27	15
24	A36	28	15
25	A11	18	25
26	A41	28	17
27	B23	1	17
28	A18	26	23

JACK PIN LG
63016700 Rev. F

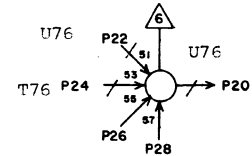
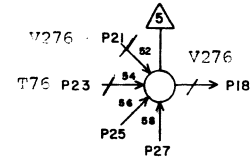
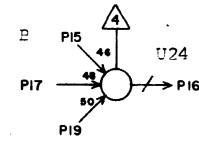
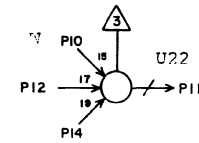
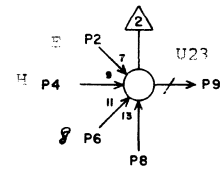
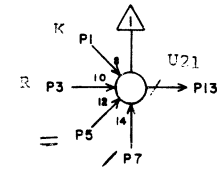


TA 12D 33

1	E19	10	17
2	E18	21	17
3			
4	A18	24	19
5			
6	B26	5	13
7	B23	2	17
8	B22	19	19
9			
10	E18	4	19
11	A12	26	25
12	A23	19	17
13	C32	28	5
14	B25	14	15
15	C17	15	19
16	B29	2	11
17	B21	22	17
18	B25	18	15
19	A36	10	17
20	B20	4	19
21	B22	27	23
22	A37	27	15
23	B23	22	17
24	A12	10	25
25	A41	11	17
26	A11	12	27
27	D25	21	13
28	E19	15	17

JACK PIN LG

63016700 Rev. F



TI 12 D 34

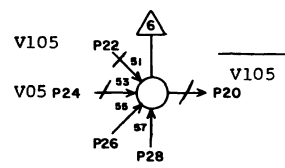
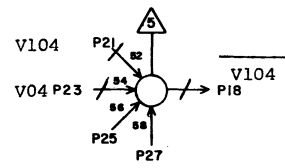
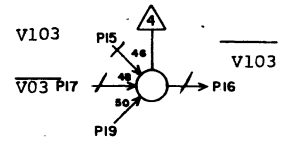
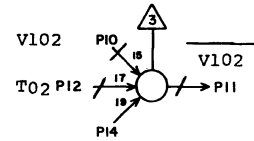
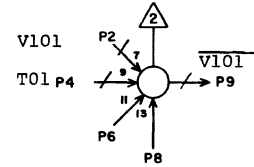
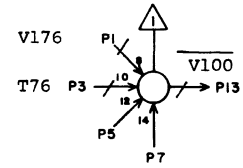
1	B25	4	15
2			
3	B26	2	15
4	A20	23	13
5	B24	24	15
6	A10	27	27
7	B26	17	15
8			
9	E13	21	23
10	E26	15	15
11	E19	22	19
12			
13	E19	21	17
14			
15	A09	8	29
16	E25	15	13
17	B25	13	15
18	E25	8	13
19			
20	E23	20	15
21	C33	1	9
22	D25	20	13
23	D08	13	27
24	D08	12	27
25			
26			
27			
28			

JACK PIN LG

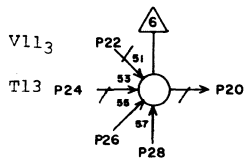
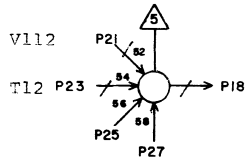
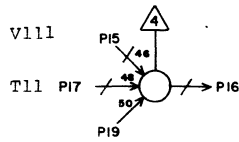
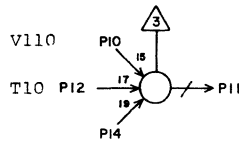
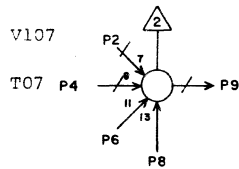
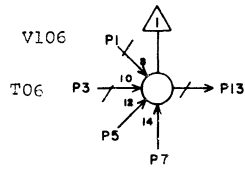
63016700 Rev. F

12D34

TI



1	C34	13	5
2	C34	11	5
3	DO8	17	29
4	D18	5	19
5			
6			
7			
8			
9	E20	12	19
10	C34	9	7
11	E20	10	19
12	D18	16	19
13	E20	14	19
14			
15	C35	2	9
16	E20	8	19
17	D18	15	19
18	E20	6	17
19			
20	E20	4	17
21	C35	1	9
22	C34	16	9
23	D19	6	19
24	D19	5	19
25			
26			
27			
28			

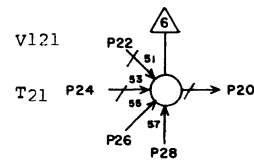
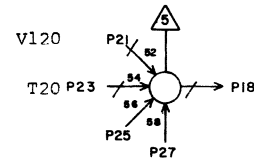
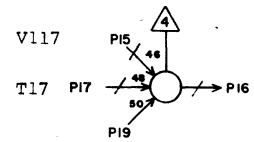
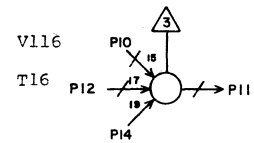
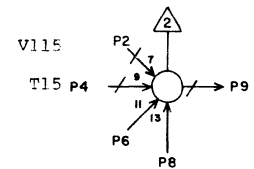
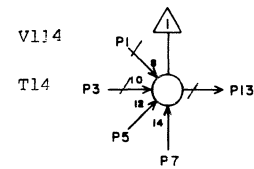


TI 12D 37

1	C35	28	5
2	C35	27	5
3	D19	16	21
4	D19	15	19
5			
6			
7			
8			
9	E20	3	19
10	C36	2	9
11	E20	5	19
12	D20	6	19
13	E20	1	19
14			
15	C36	1	9
16	E20	7	19
17	D20	5	19
18	E20	9	19
19			
20	E20	11	19
21	C36	28	9
22	C33	2	9
23	D20	16	19
24	D21	6	17
25			
26			
27			
28			

JACK PIN LG

63016700 Rev. F



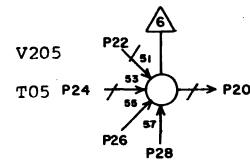
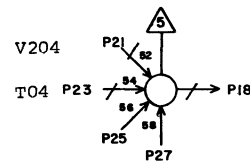
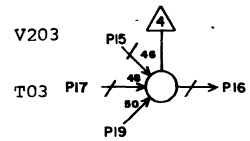
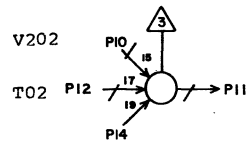
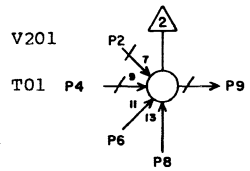
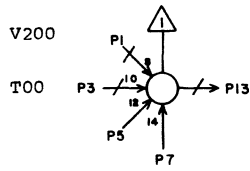
TI 12D 38

1	C36	27	9
2	C37	2	7
3	D21	5	19
4	D21	16	19
5			
6			
7			
8			
9	E20	19	19
10	C34	20	9
11	E20	21	19
12	D21	15	19
13	E20	17	19
14			
15	C38	13	9
16	E20	23	19
17	D22	6	19
18	E20	25	19
19			
20	E20	27	19
21	C38	9	9
22	C38	11	9
23	D22	5	17
24	D22	16	17
25			
26			
27			
28			

JACK PIN LG

63016700 Rev. F

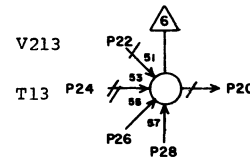
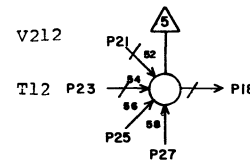
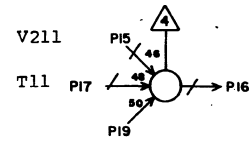
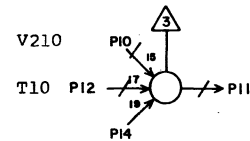
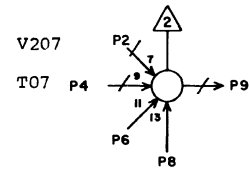
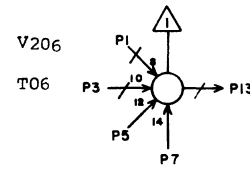
12D38



TI 12D 39

1	C37	1	7
2	C38	18	5
3	D18	8	23
4	D18	7	21
5			
6			
7			
8			
9	E20	18	21
10	C37	28	5
11	E20	20	21
12	D18	18	23
13	E20	16	21
14			
15	C37	27	5
16	E20	22	21
17	D18	17	23
18	E20	24	21
19			
20	E20	26	21
21	C39	2	9
22	C39	1	9
23	D19	8	21
24	D19	7	21
25			
26			
27			
28			

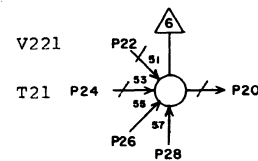
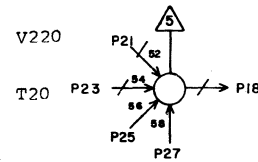
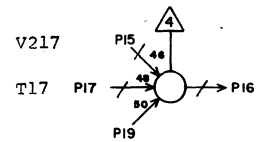
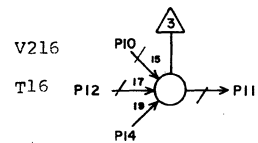
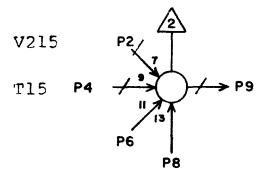
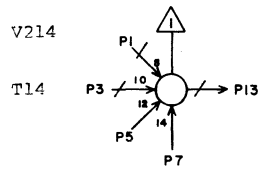
JACK PIN LG
63016700 Rev. F



TI 12 D 40

1	C38	16	5
2	C38	20	5
3	D19	18	21
4	D19	17	21
5			
6			
7			
8			
9	E21	12	21
10	C39	28	5
11	E21	10	21
12	D20	8	21
13	E21	14	23
14			
15	C40	13	7
16	E21	8	21
17	D20	7	21
18	E21	6	21
19			
20	E21	4	21
21	C39	27	7
22	C41	2	9
23	D20	18	21
24	D21	8	23
25			
26			
27			
28			

JACK PIN LG
63016700 Rev. F

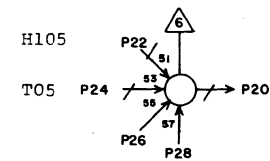
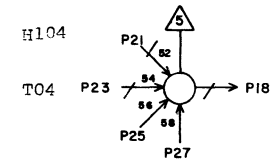
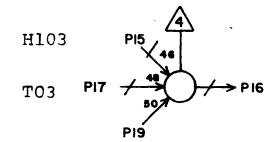
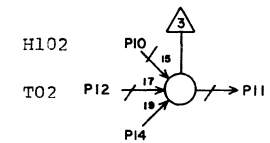
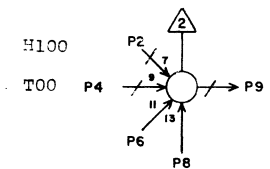
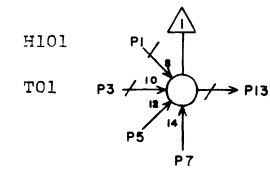


TI 12D 41

1	C40	9	5
2	C40	11	5
3	D21	7	21
4	D21	18	23
5			
6			
7			
8			
9	E21	3	21
10	C40	16	7
11	E21	5	21
12	D21	17	21
13	E21	1	21
14			
15	C40	18	7
16	E21	7	21
17	D22	8	21
18	E21	9	21
19			
20	E21	11	21
21	C40	20	7
22	C42	11	9
23	D22	7	21
24	D22	18	19
25			
26			
27			
28			

JACK PIN LG

63016700 Rev. F



TI 12D 42

1	C42	16	5
2	C41	1	7
3	D18	9	25
4	D18	10	25
5			
6			
7			
8			
9	E21	19	23
10	C42	13	7
11	E21	21	23
12	D18	20	25
13	E21	17	23
14			
15	C42	9	7
16	E21	23	23
17	D18	19	25
18	E21	25	23
19			
20	E21	27	23
21	C42	18	7
22	C42	20	7
23	D19	10	25
24	D19	9	23
25			
26			
27			
28			

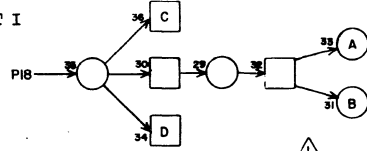
JACK PIN LG

63016700 Rev. F

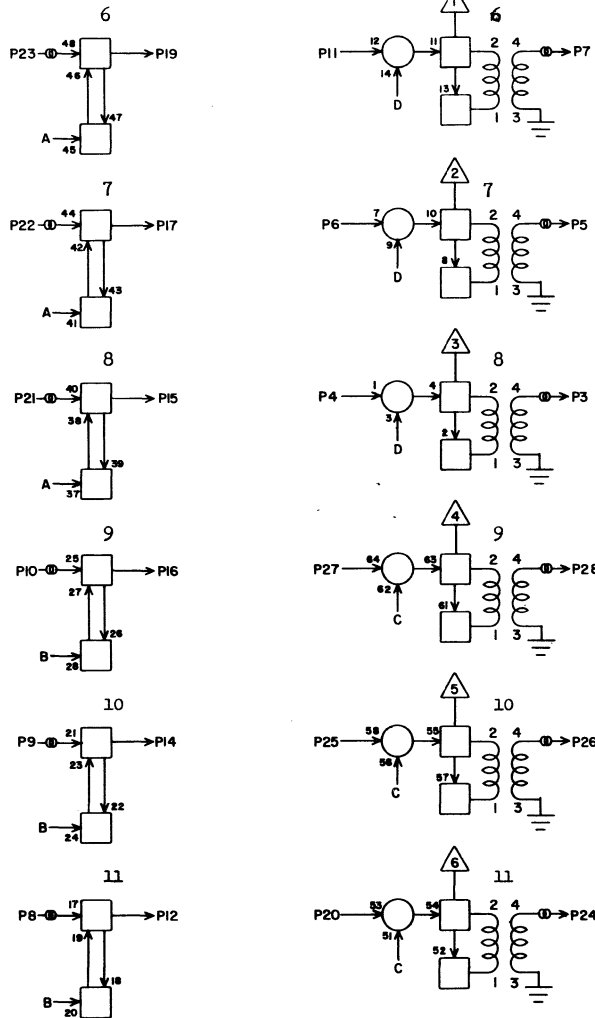
12D42

OUTPUT REGISTER TO PPU (DATA)

T I



PASS ON



QJ 12E01

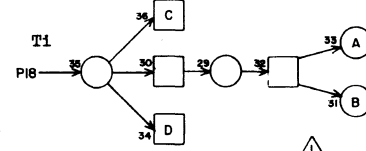
1			
2			
3	12w2	98	
4	E04	10	5
5	12w2	97	
6	E04	9	5
7	12w2	96	
8	W4	901	
9	W4	900	
10	W4	99	
11	E04	9	5
12	E04	25	5
13			
14	E04	26	5
15	E04	13	5
16	E04	18	5
17	E04	3	5
18	D05	13	9
19	E04	4	5
20	E04	20	5
21	W4	98	
22	W4	97	
23	W4	96	
24	12w2	901	
25	E04	21	5
26	12w2	900	
27	E04	19	5
28	12w2	99	

JACK PIN LG

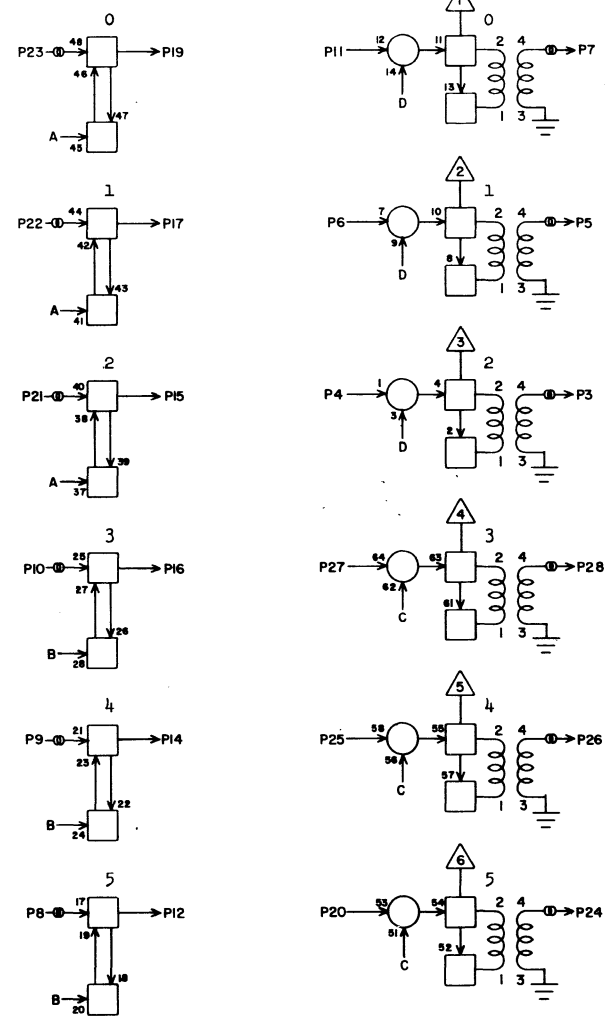
63016700 Rev. F

OUTPUT REGISTER TO PPU (DATA)

T1



PASS ON



QJ 12E02

1			
2			
3	12w2	92	
4	E05	10	5
5	12w2	91	
6	E05	9	5
7	12w2	90	
8	W4	95	
9	W4	94	
10	W4	93	
11	E05	9	5
12	E05	25	5
13			
14	E05	26	5
15	E05	13	5
16	E05	18	5
17	E05	3	5
18	D05	1	11
19	E05	4	5
20	E05	20	5
21	W4	92	
22	W4	91	
23	W4	90	
24	12w2	95	
25	E05	21	5
26	12w2	94	
27	E05	19	5
28	12w2	93	

JACK PIN LG

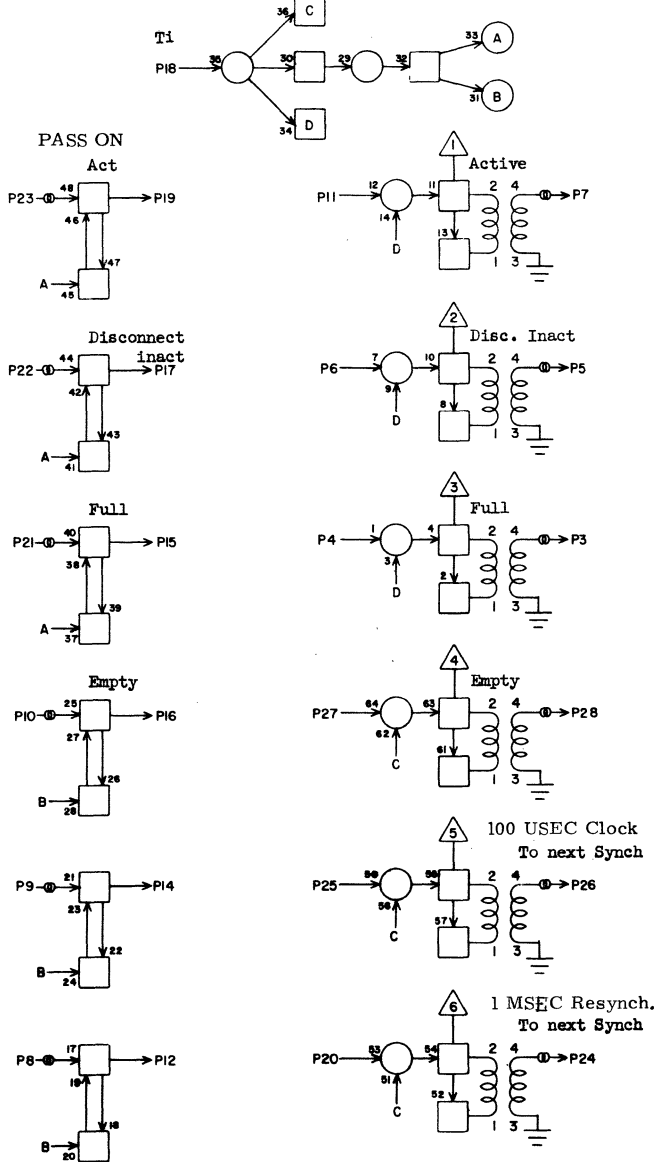
63016700 Rev. F

12E02

OUTPUT REGISTER TO PPU (CONTROL)

QJ

12E03



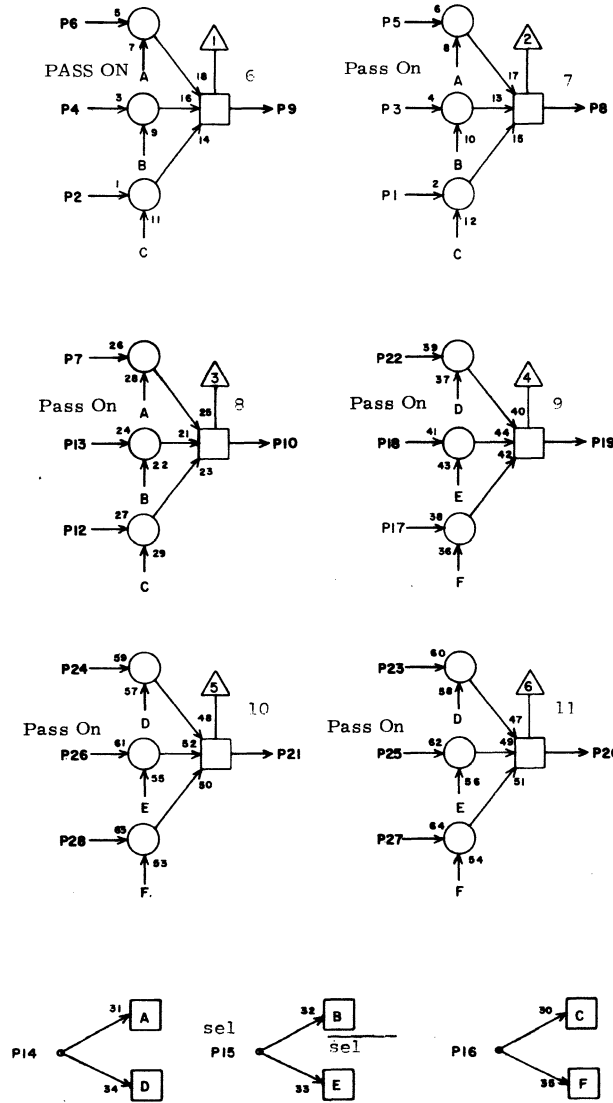
1			
2			
3	12w2	904	
4	E06	8	5
5	12w2	903	
6	E06	21	5
7	12w2	902	
8			
9			
10	W4	905	
11	E06	19	5
12			
13			
14			
15	E06	3	5
16	E06	13	5
17	E06	26	5
18	D05	9	9
19	E06	18	5
20			
21	W4	904	
22	W4	903	
23	W4	902	
24			
25	good	x	2
26			
27	E06	10	5
28	12w2	905	

JACK PIN LG

63016700 Rev. F

TE

12E 04

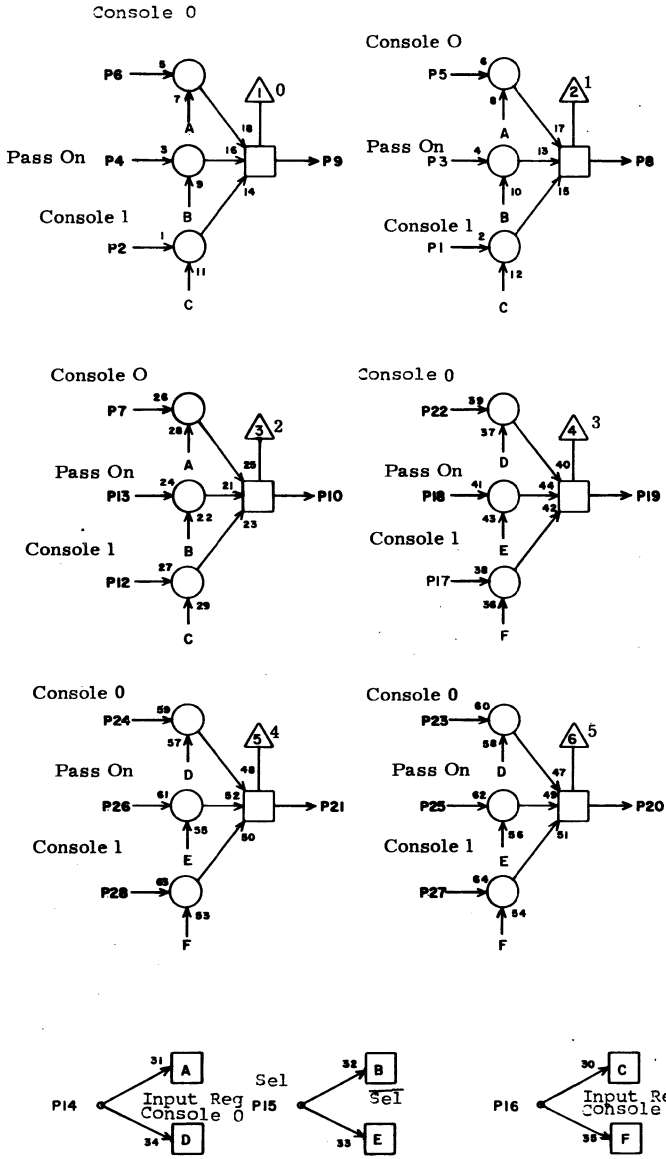


1			
2			
3	E01	17	5
4	E01	19	5
5			
6			
7			
8	E01	6	5
9	E01	11	5
10	E01	4	5
11			
12			
13	E01	15	5
14	good	x	2
15	B05	9	15
16	good	x	2
17			
18	E01	18	5
19	E01	27	5
20	E01	20	5
21	E01	25	5
22			
23			
24			
25	E01	12	5
26	E01	14	5
27			
28			

JACK PIN LG

63016700 Rev. F

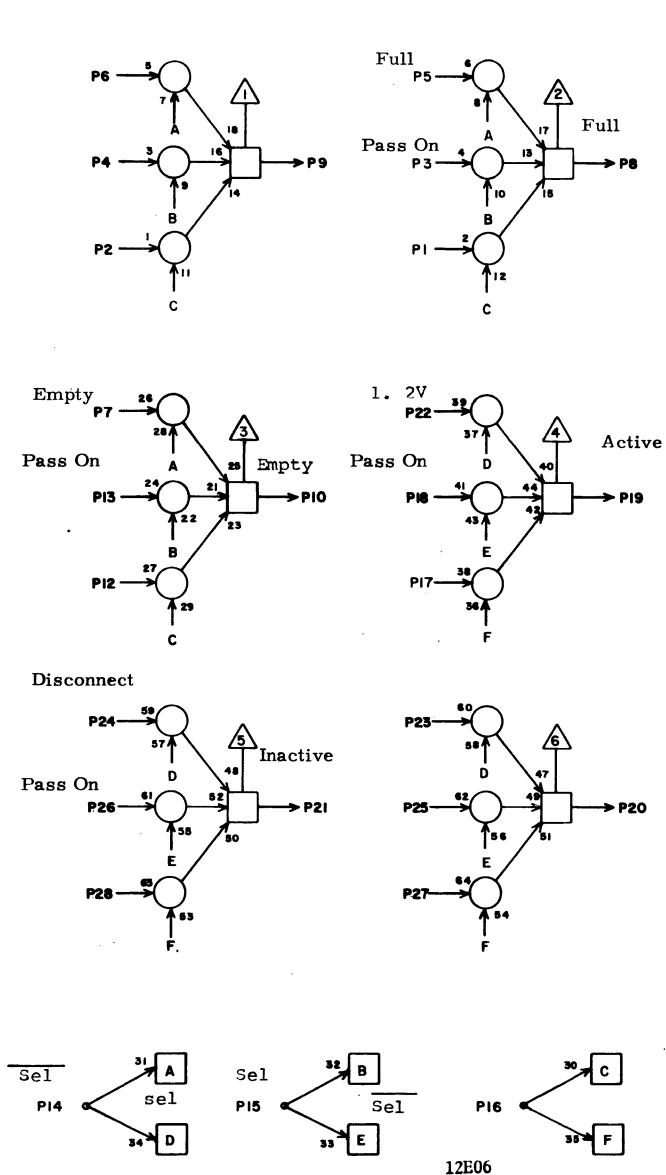
KEYBOARD REGISTER TO PPU



TE 12E 05

1	F06	6	7
2	F06	3	7
3	E02	17	5
4	E02	19	5
5	F05	6	7
6	F05	3	7
7	F05	7	7
8	E02	6	5
9	E02	11	5
10	E02	4	5
11			
12	F06	7	7
13	E02	15	5
14	C03	11	13
15	B05	11	15
16	C03	9	13
17	F06	22	7
18	E02	16	5
19	E02	27	5
20	E02	20	5
21	E02	25	5
22	F05	22	7
23	F05	26	7
24	F05	23	7
25	E02	12	5
26	E02	14	5
27	F06	26	7
28	F06	23	7

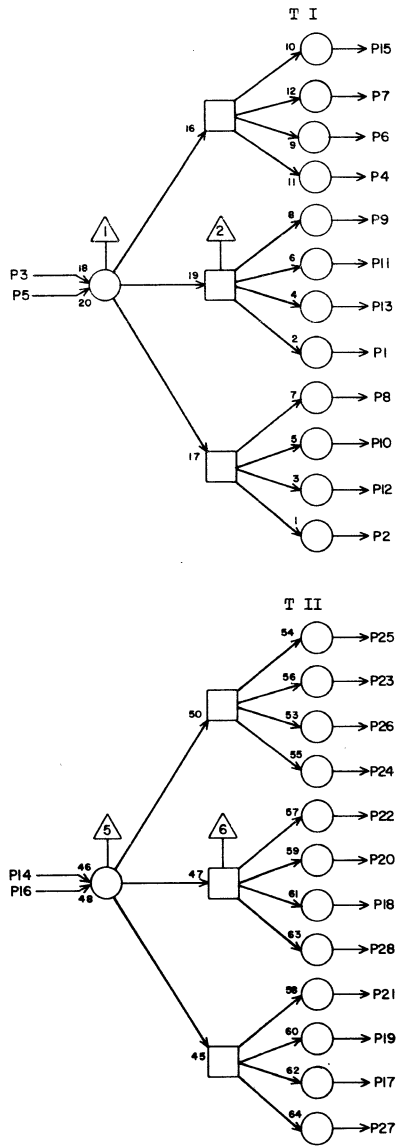
JACK PIN LG
63016700 Rev. F



TE 12E 06

1			
2			
3	E 03	15	5
4			
5	C11	14	15
6			
7	C11	2	15
8	E03	4	5
9			
10	E03	27	5
11			
12			
13	E03	16	5
14	B05	15	15
15	B05	13	15
16	good	x	2
17			
18	E03	19	5
19	E03	11	5
20			
21	E03	6	5
22	F17	17	15
23			
24	C11	1	15
25			
26	E03	17	5
27			
28			

JACK PIN LG
63016700 Rev. F

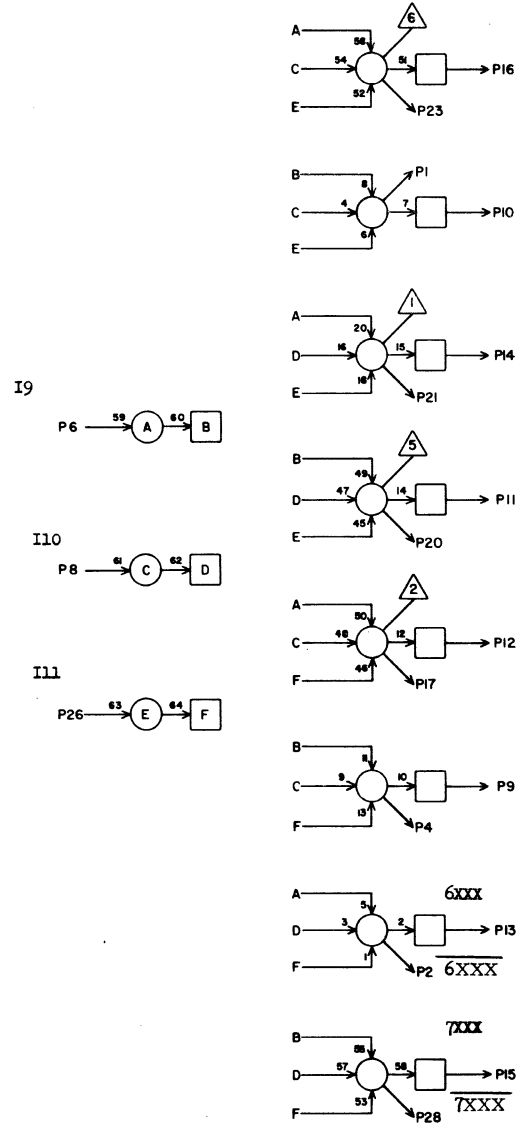


TC 12E07

1			
2			
3	D03	2	9
4			
5	GND	X	2
6	E38	20	35
7			
8			
9	E35	7	31
10			
11	E34	7	31
12			
13			
14	D03	1	9
15	E38	7	35
16	GND	X	2
17			
18	F22	22	17
19			
20	F22	7	17
21			
22	F16	22	13
23			
24	F16	9	13
25			
26	F10	3	7
27			
28			

JACK PIN LG

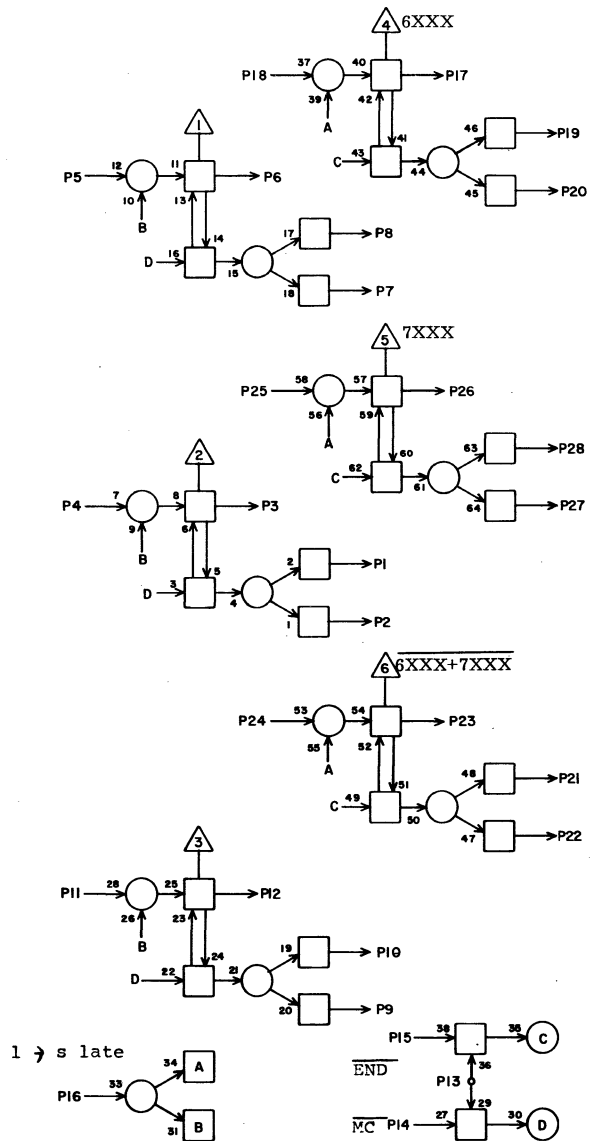
TRANSLATOR
6XXX, 7XXX



IV 12E08

1			
2	C10	2	13
3			
4			
5			
6	A03	9	19
7			
8	A03	20	19
9			
10			
11			
12			
13	E09	18	3
14			
15	E09	25	3
16			
17			
18			
19			
20			
21			
22			
23			
24			
25			
26	A03	22	19
27			
28	C10	4	13

JACK PIN LG

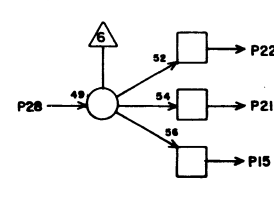
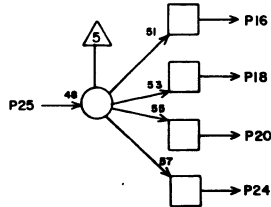
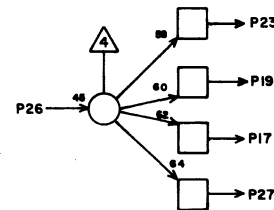
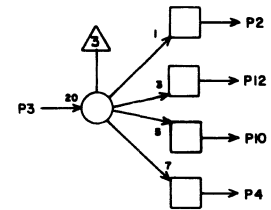
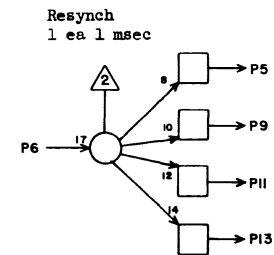
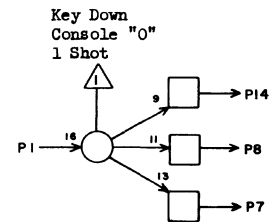


AD 12E 09

1			
2			
3			
4			
5			
6			
7			
8			
9			
10			
11			
12			
13	C13	28	11
14	good	x	2
15	D20	23	13
16	C10	10	13
17	F10	2	7
18	EOB	13	3
19			
20			
21			
22			
23	F10	26	7
24	C10	5	13
25	EOB	15	3
26	F10	25	7
27			
28			

JACK PIN LG

63016700 Rev. F



12E10

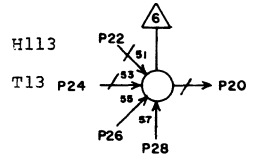
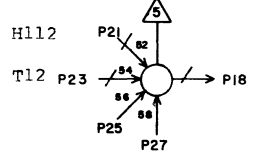
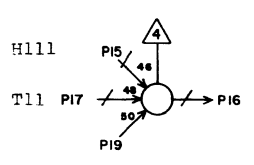
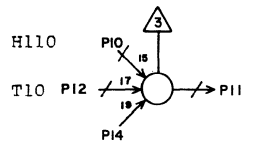
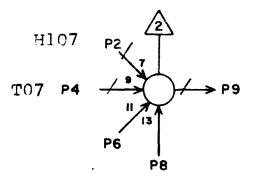
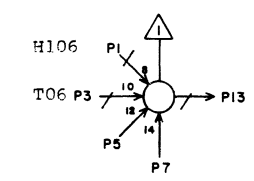
TH 12E10

1	E35	19	27
2			
3			
4			
5	D07	6	11
6	D03	14	11
7			
8	F05	20	9
9	E38	9	27
10			
11	E35	5	27
12			
13	E34	5	25
14	F05	9	9
15			
16			
17			
18			
19			
20			
21	F06	20	9
22	F06	9	7
23			
24			
25			
26			
27			
28	E34	19	25

JACK PIN LG

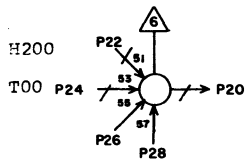
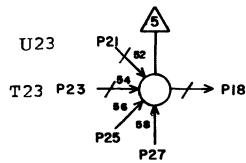
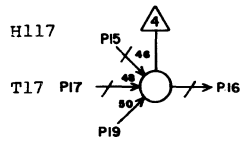
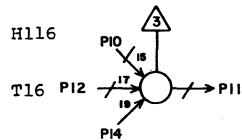
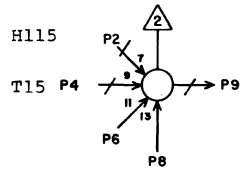
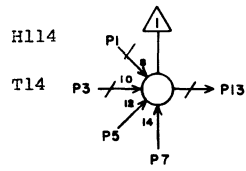
63016700 Rev. F

TI



1	D25	13	15
2	D25	9	17
3	D19	20	11
4	D19	19	11
5			
6			
7			
8			
9	E21	18	11
10	D25	11	17
11	E21	20	13
12	D20	10	13
13	E21	16	11
14			
15	C41	28	29
16	E21	22	13
17	D20	9	13
18	E21	24	13
19			
20	E21	26	13
21	D25	16	15
22	C41	27	29
23	D20	20	11
24	D21	10	15
25			
26			
27			
28			

JACK PIN LG

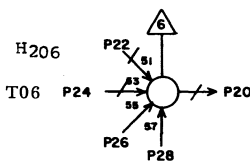
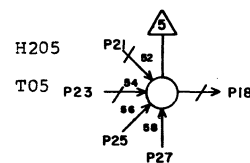
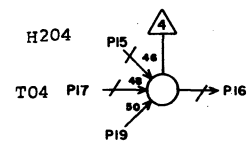
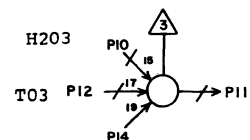
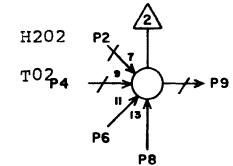
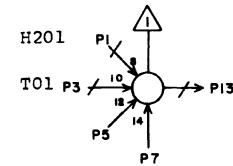


TI 12 E 13

1	D26	2	15
2	D27	13	17
3	D21	9	13
4	D21	20	11
5			
6			
7			
8			
9	E22	12	11
10	D27	9	17
11	E22	10	11
12	D21	19	13
13	E22	14	11
14			
15	D27	11	17
16	E22	8	13
17	D22	10	13
18	E23	16	13
19			
20	E22	1	13
21	D34	9	23
22	D26	1	17
23	D23	6	13
24	D18	12	11
25			
26			
27			
28			

JACK PIN LG

63016700 Rev. F



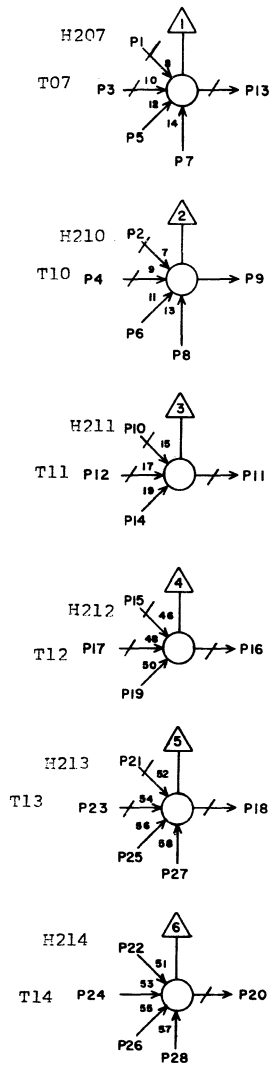
TI 12 E 14

1	D26	28	15
2	D27	16	15
3	D18	11	9
4	D18	22	9
5			
6			
7			
8			
9	E22	5	11
10	D27	18	15
11	E22	7	11
12	D18	21	9
13	E22	3	11
14			
15	D26	27	15
16	E22	9	11
17	D19	12	9
18	E22	11	11
19			
20	E22	17	11
21	D27	20	15
22	D28	13	17
23	D19	11	11
24	D19	22	9
25			
26			
27			
28			

JACK PIN LG

63016700 Rev. F

12E14

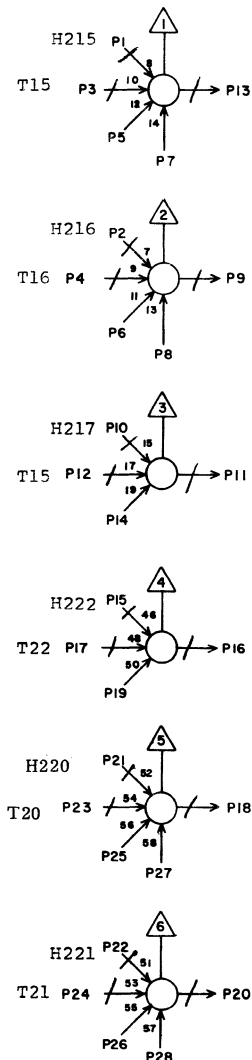


TI 12 E 15

1	D29	2	17
2	D29	1	17
3	D19	21	7
4	D20	12	9
5			
6			
7			
8			
9	E22	21	9
10	D29	28	17
11	E22	23	11
12	D20	11	11
13	E22	19	11
14			
15	D28	9	17
16	E22	25	11
17	D20	22	11
18	E22	27	11
19			
20	E22	16	11
21	D28	18	15
22	D28	20	17
23	D21	12	11
24	D21	11	11
25			
26			
27			
28			

JACK PIN LG

63016700 Rev. E

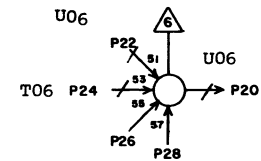
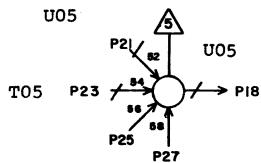
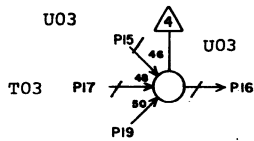
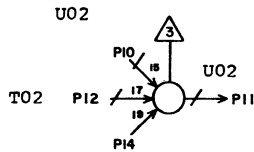
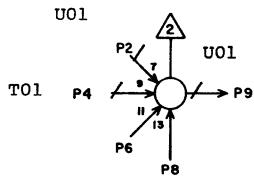
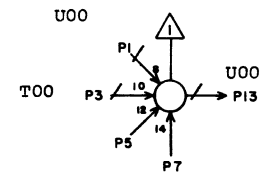


TI 12 E 16

1	D29	27	15
2	D30	2	17
3	D21	22	11
4	D21	21	11
5			
6			
7			
8			
9	E22	20	9
10	D30	1	17
11	E22	22	9
12	D22	12	11
13	E22	18	9
14			
15	D31	11	17
16	C32	18	19
17	D22	21	11
18	E22	24	9
19			
20	E22	26	9
21	D28	11	15
22	D28	16	15
23	D22	11	11
24	D22	22	11
25			
26			
27			
28			

JACK PIN LG

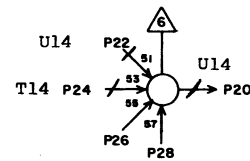
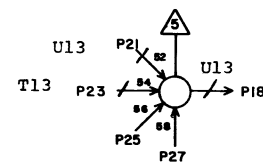
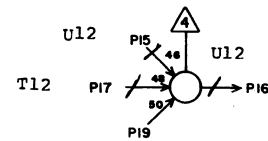
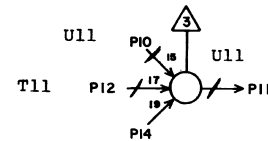
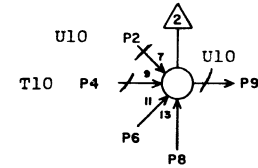
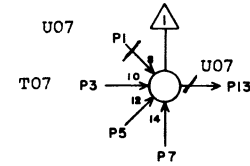
63016700 Rev. F



TI 12 E 17

1	D31	16	17
2	D31	13	17
3	D18	14	7
4	D18	13	7
5			
6			
7			
8			
9	E23	12	9
10	D31	9	17
11	E23	10	9
12	D18	24	7
13	E23	14	9
14			
15	D31	18	17
16	E23	8	9
17	D18	23	7
18	E23	6	9
19			
20	E23	4	9
21	D31	20	17
22	D32	13	19
23	D19	13	9
24	D19	24	7
25			
26			
27			
28			

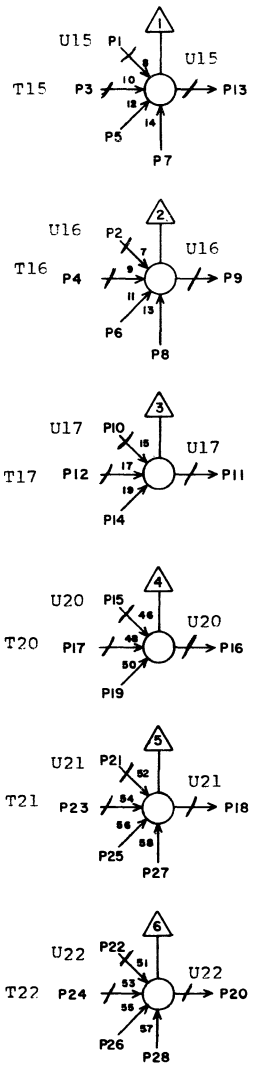
JACK PIN LG
63016700 Rev. F



TI 12E 18

1	D30	27	15
2	D32	11	17
3	D19	23	5
4	D20	14	5
5			
6			
7			
8			
9	E23	3	9
10	D32	9	17
11	E23	5	9
12	D20	13	7
13	E23	1	9
14			
15	D30	28	15
16	E23	7	9
17	D20	24	7
18	E23	9	9
19			
20	E23	11	9
21	D33	2	17
22	D32	16	17
23	D21	14	9
24	D21	13	9
25			
26			
27			
28			

JACK PIN LG
63016700 Rev. F

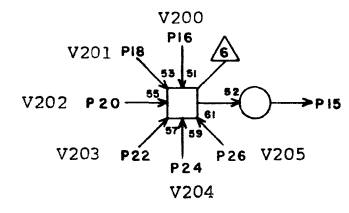
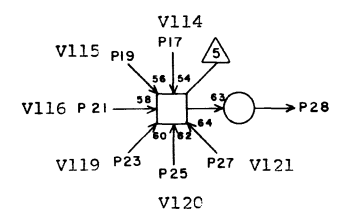
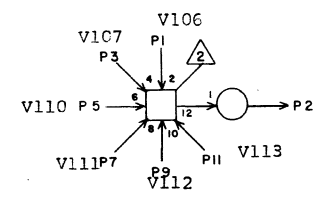
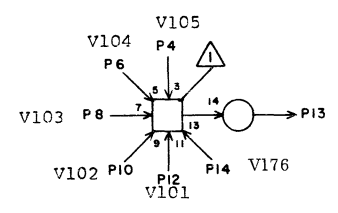


TI 12E 19

1	D32	18	15
2	D32	20	15
3	D21	24	5
4	D21	23	5
5			
6			
7			
8			
9	E23	19	7
10	D33	1	17
11	E23	21	7
12	D22	14	9
13	E23	17	7
14			
15	D33	28	17
16	E23	23	7
17	D22	13	9
18	E23	25	7
19			
20	E23	27	7
21	D34	13	7
22	D34	11	19
23	D22	24	7
24	D22	23	9
25			
26			
27			
28			

JACK PIN LG

63016700 Rev. F

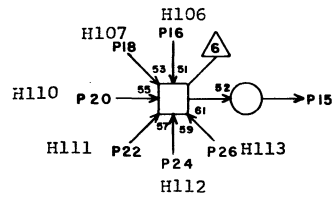
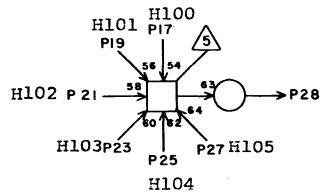
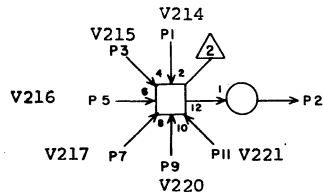
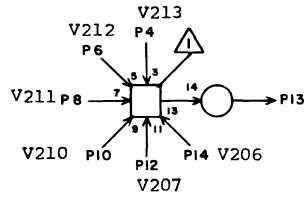


IP 12E 20

1	D37	13	19
2	E25	3	9
3	D37	9	19
4	D36	20	17
5	D37	11	19
6	D36	18	17
7	D37	16	19
8	D36	16	19
9	D37	18	19
10	D36	11	19
11	D37	20	19
12	D36	9	19
13	E25	1	9
14	D36	13	19
15	E25	2	7
16	D39	13	21
17	D38	13	19
18	D39	9	21
19	D38	9	19
20	D39	11	21
21	D38	11	19
22	D39	16	21
23	D38	16	19
24	D39	18	21
25	D38	18	19
26	D39	20	21
27	D38	20	19
28	E25	5	9

JACK PIN LG

63016700 Rev. F

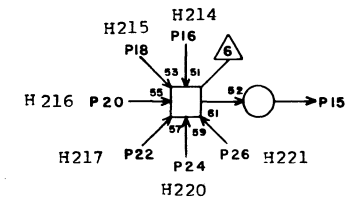
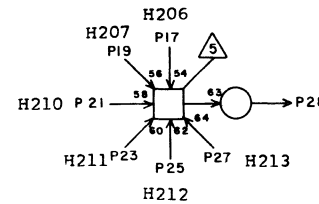
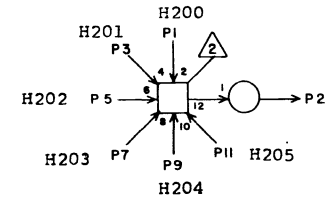
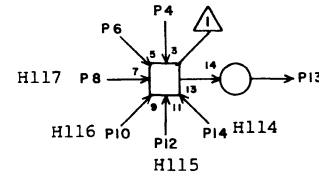


IP 12 E 21

1	D41	13	21
2	E25	6	7
3	D41	9	21
4	D40	20	21
5	D41	11	21
6	D40	18	21
7	D41	16	21
8	D40	16	21
9	D41	18	21
10	D40	11	21
11	D41	20	21
12	D40	9	21
13	E25	4	5
14	D40	13	23
15	E25	12	5
16	E12	13	11
17	D42	13	23
18	E12	9	11
19	D42	9	23
20	E12	11	13
21	D42	11	23
22	E12	16	13
23	D42	16	23
24	E12	18	13
25	D42	18	23
26	E12	20	13
27	D42	20	23
28	E25	10	7

JACK PIN LG

63016700 Rev. F



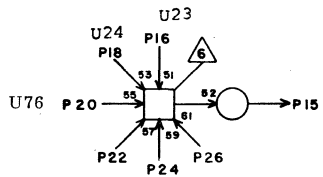
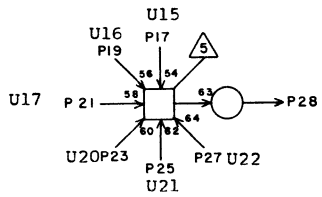
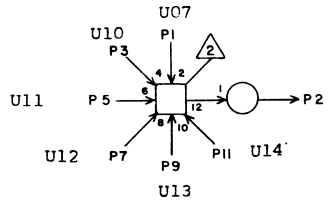
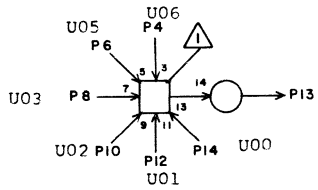
IP 12E 22

1	E13	20	13
2	E25	22	5
3	E14	13	11
4			
5	E14	9	11
6			
7	E14	11	11
8	E13	16	13
9	E14	16	11
10	E13	11	11
11	E14	18	11
12	E13	9	11
13	E25	14	5
14	E13	13	11
15	E25	26	5
16	E15	20	11
17	E14	20	11
18	E16	13	9
19	E15	13	11
20	E16	9	9
21	E15	9	9
22	E16	11	9
23	E15	11	11
24	E16	18	9
25	E15	16	11
26	E16	20	9
27	E15	18	11
28	E25	24	5

JACK PIN LG

63016700 Rev. F

12E22



IP

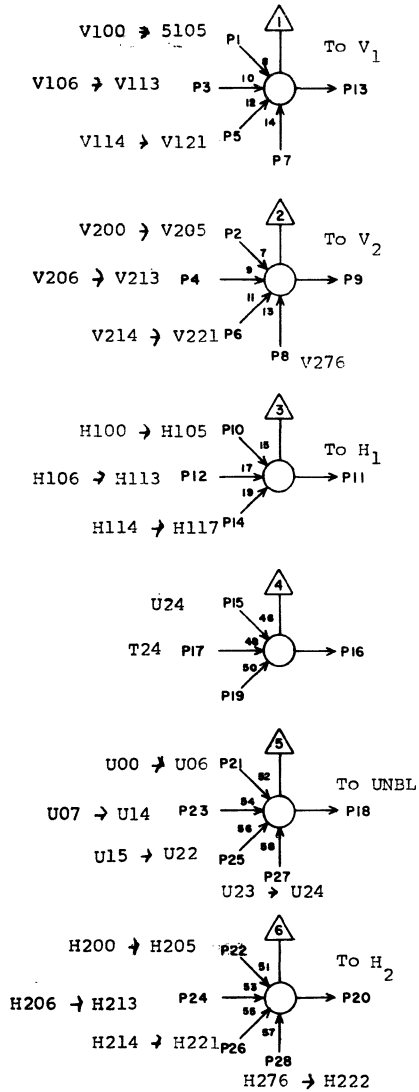
12E23

1	E18	13	9
2	E25	23	5
3	E18	9	9
4	E17	20	9
5	E18	11	9
6	E17	18	9
7	E18	16	9
8	E17	16	9
9	E18	18	9
10	E17	11	9
11	E18	20	9
12	E17	9	9
13	E25	21	5
14	E17	13	9
15	E25	27	5
16	E13	18	13
17	E19	13	7
18	E25	16	5
19	E19	9	7
20	D34	20	15
21	E19	11	7
22			
23	E19	16	7
24			
25	E19	19	7
26			
27	E19	20	7
28	E25	25	5

JACK PIN LG

CHARACTER GENERATOR
CONTROL FLIP-FLOPS

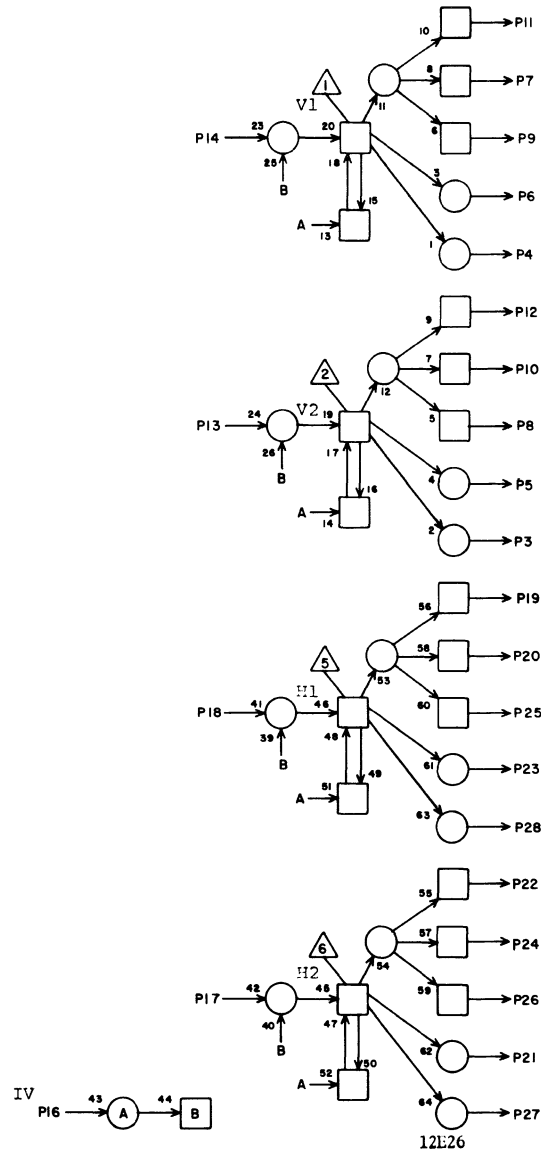
TI 12 E 25



	JACK	PIN	LG
1	E20	13	9
2	E20	15	7
3	E20	2	9
4	E21	13	5
5	E20	28	9
6	E21	2	7
7			
8	D34	18	13
9	E26	13	3
10	E21	28	7
11	E26	18	3
12	E21	15	5
13	E26	14	3
14	E22	13	5
15	D34	16	13
16	D23	18	5
17	D23	16	7
18	E27	2	5
19			
20	E26	17	3
21	E23	13	5
22	E22	2	5
23	E23	2	5
24	E22	28	5
25	E23	28	5
26	E22	15	5
27	E23	15	5
28	C32	15	15

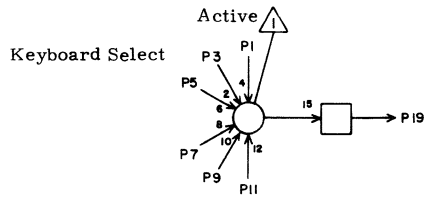
63016700 Rev. F

PD 12 E 26

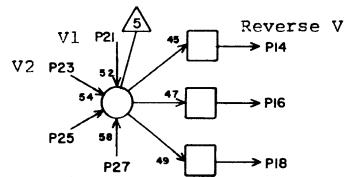
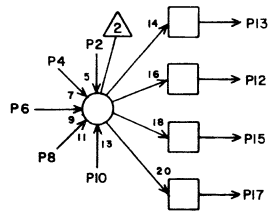


	JACK	PIN	LG
1			
2			
3			
4			
5	E31	3	9
6	E31	4	9
7			
8	E27	23	5
9	E27	21	5
10			
11	E31	1	9
12	E31	2	9
13	E25	9	3
14	E25	13	3
15			
16	D04	26	23
17	E25	20	3
18	E25	11	3
19	E31	10	7
20			
21	E31	12	7
22	E31	15	9
23	E31	17	9
24			
25	E27	24	3
26	E27	26	3
27			
28			

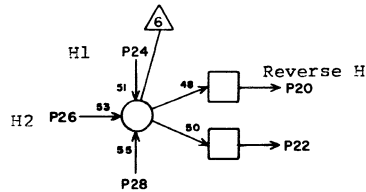
63016700 Rev. F



UnBL



Reverse Direction



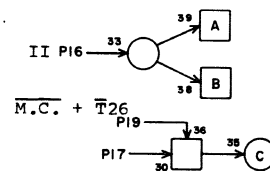
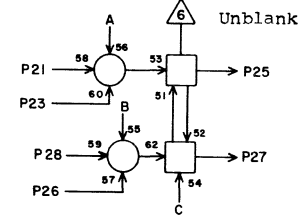
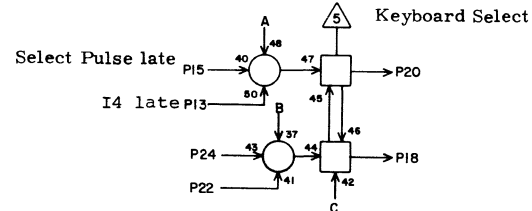
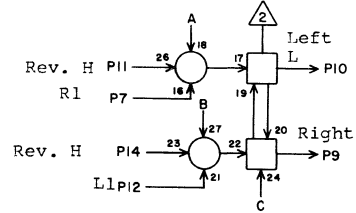
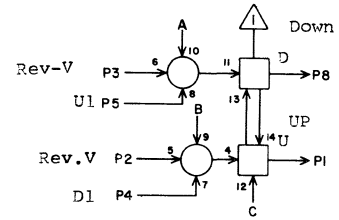
TB

12E27

1	C10	19	21
2	E25	18	5
3	E28	20	5
4	E27	x	2
5	E27	x	2
6	E27	x	2
7	E27	x	2
8	E27	x	2
9	E27	x	2
10	E27	x	2
11	E27	x	2
12	E28	28	5
13	E28	21	3
14	E28	3	5
15			
16	E28	2	5
17			
18			
19	E39	18	15
20	E28	11	5
21	E26	9	3
22	E28	14	3
23	E26	8	5
24	E26	25	3
25	E27	x	2
26	E26	26	3
27	E27	x	2
28	E27	x	2

JACK PIN LG

63016700 Rev. F



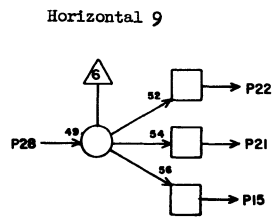
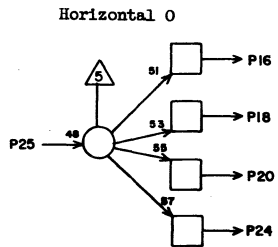
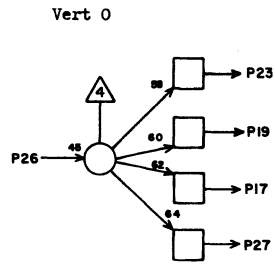
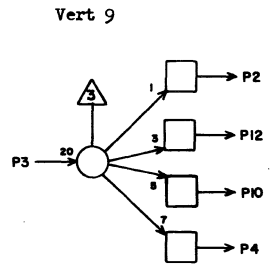
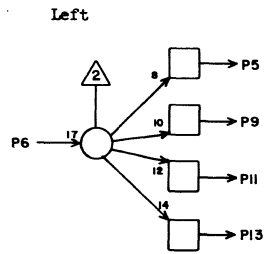
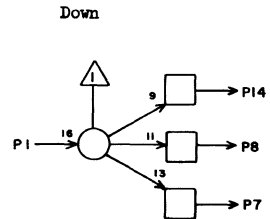
AE

12E28

1	E32	5	7
2	E27	16	5
3	E27	14	5
4	E30	11	5
5	E30	6	5
6			
7	E30	5	5
8	E29	1	3
9	E32	25	9
10	E29	6	3
11	E27	20	5
12	E30	12	7
13	A02	7	31
14	E27	22	3
15	B05	7	27
16	F37	15	13
17	E28	x	2
18			
19	D06	24	23
20	E27	3	5
21	E27	13	3
22	E28	x	2
23	E30	23	5
24	E39	20	13
25	E30	18	5
26	E30	19	5
27			
28	E27	12	5

JACK PIN LG

63016700 Rev. F

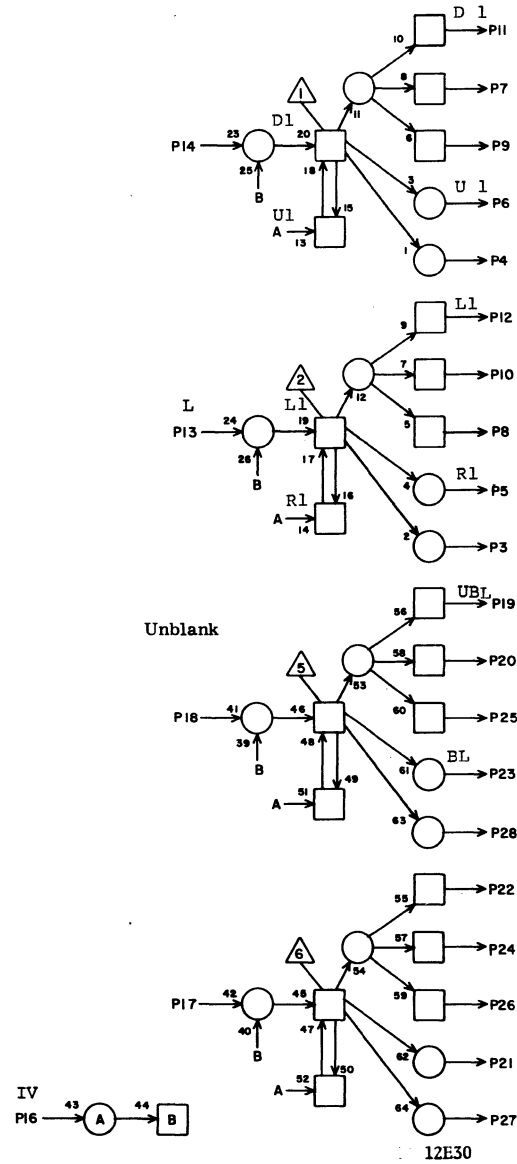


TH 12E 29

1	E28	8	3
2	F29	23	9
3	F31	4	7
4			
5	E30	13	3
6	E28	10	3
7			
8	E32	3	7
9	E32	23	5
10			
11			
12	F26	26	9
13			
14	E30	14	3
15			
16	F27	1	5
17			
18	F26	1	5
19	F26	17	7
20			
21	F26	10	7
22	F41	23	15
23	F27	17	7
24			
25	F39	9	13
26	F32	9	9
27			
28	F38	26	13

JACK PIN LG

63016700 Rev. F



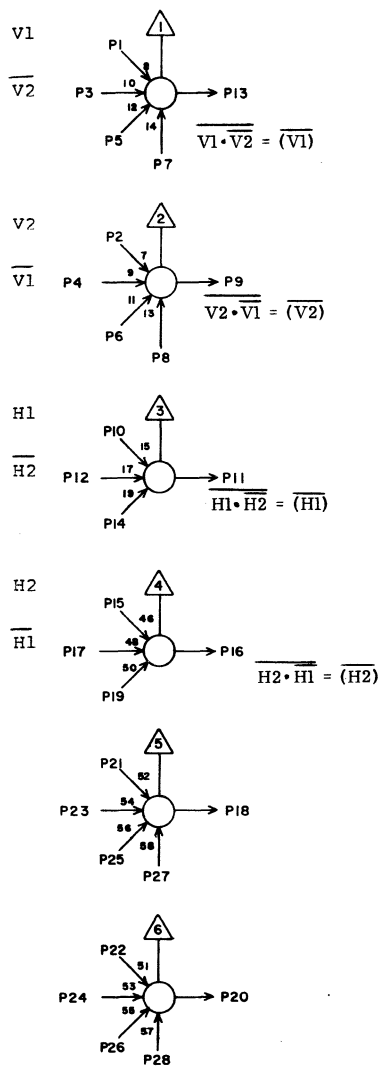
PD 12E 30

1			
2			
3			
4			
5	E28	7	5
6	E28	5	5
7			
8			
9			
10			
11	E28	4	5
12	E28	12	3
13	E29	5	3
14	E29	14	
15			
16	F33	15	9
17			
18	E28	25	5
19	E28	26	5
20	E36	22	9
21			
22			
23	E28	23	5
24			
25			
26			
27			
28	E36	23	9

JACK PIN LG

63016700 Rev. F

REVERSE DIRECTION NETWORK

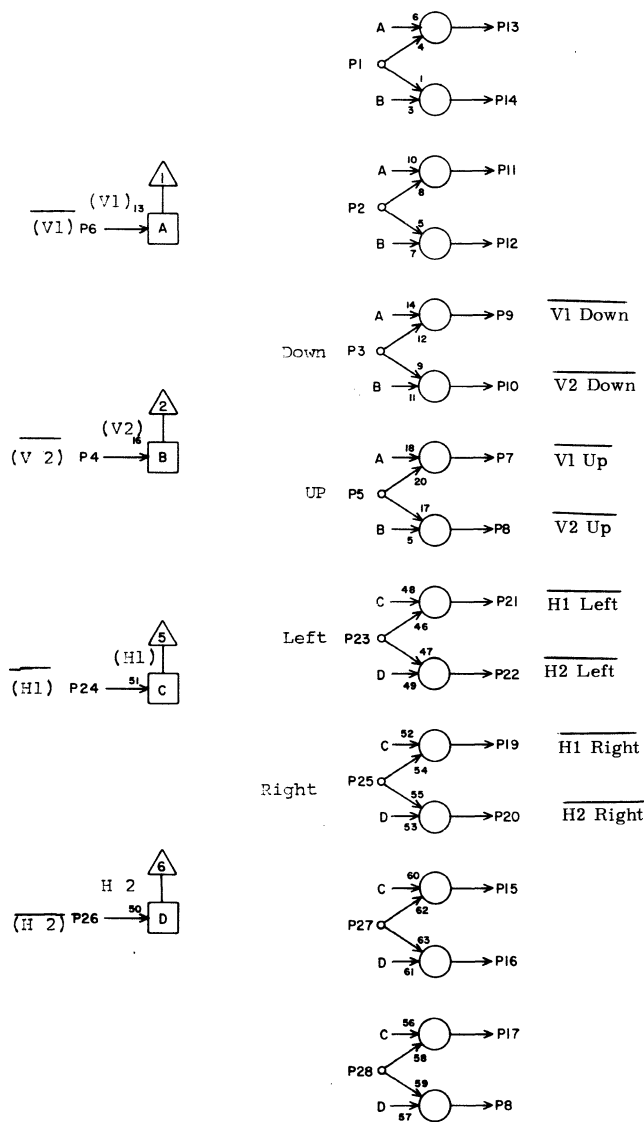


TI 12E 31

1	E26	11	9
2	E26	12	9
3	E26	5	9
4	E26	6	9
5	good	x	2
6	good	x	2
7	good	x	2
8	good	x	2
9	E32	4	3
10	E26	19	7
11	E32	24	3
12	E26	21	7
13	E32	6	3
14	good	x	2
15	E26	22	9
16	E32	26	3
17	E26	23	9
18			
19	Good	x	2
20			
21			
22			
23			
24			
25			
26			
27			
28			

JACK PIN LG
63016700 Rev. F

REVERSE DIRECTION NETWORK



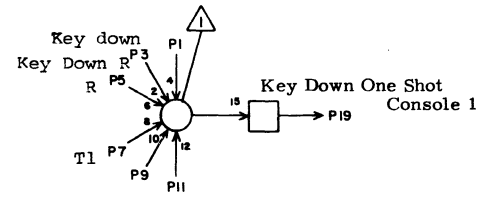
IH 12 E 32

1			
2			
3	E29	8	7
4	E31	9	3
5	E28	1	7
6	E31	13	3
7	F29	14	9
8	F29	15	9
9	F28	14	9
10	F28	15	9
11			
12			
13			
14			
15			
16			
17			
18			
19	F41	14	13
20	F41	15	13
21	F42	14	13
22	F42	15	13
23	E29	9	5
24	E31	11	3
25	E28	9	9
26	E31	16	3
27			
28			

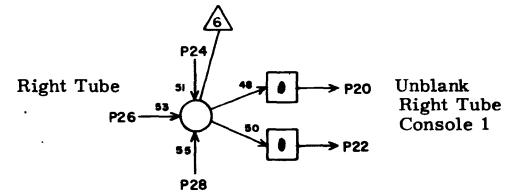
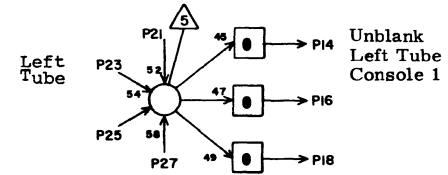
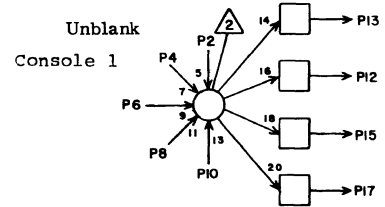
JACK PIN LG

63016700 Rev. F

Console 1



Unblank control, console 1



□ = No Resistor Diode

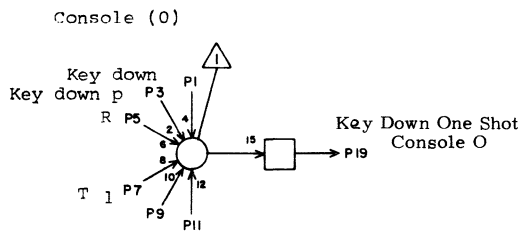
NX 12E34

1	E36	4	4
2	E36	27	5
3	E39	22	9
4	A04	28	33
5	E10	13	25
6	E34	x	2
7	E07	11	31
8	E34	x	2
9	E34	x	2
10	E34	x	2
11	E34	x	2
12	E34	24	3
13	E34	21	3
14	12w8	98	
15			
16			
17			
18			
19	E10	28	25
20	12w8	99	
21	E34	13	3
22			33
23	A07	18	33
24	E34	12	3
25			
26	A07	19	33
27			
28			

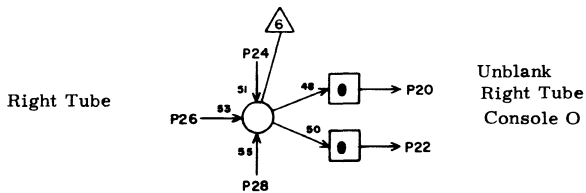
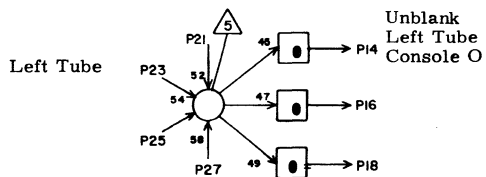
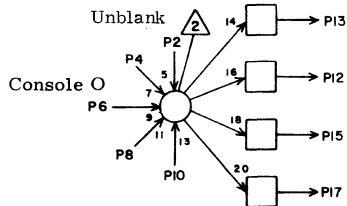
JACK PIN LG

63016700 Rev. F

12E34



UNBLANK CONTROL, CONSOLE O



□ = No Resistor Diode

NX

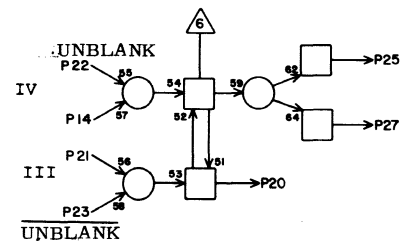
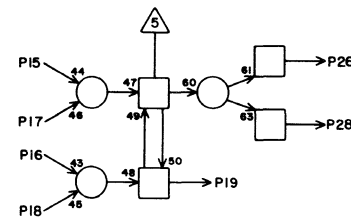
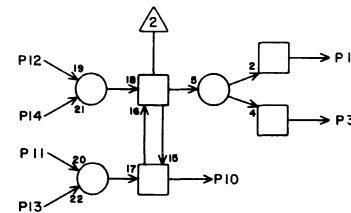
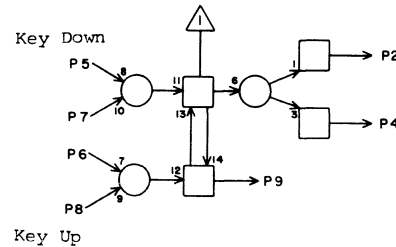
12E35

1	E37	4	5
2	E36	25	5
3	E39	12	5
4	A04	27	33
5	E10	11	27
6	E35	x	2
7	E07	9	31
8	E35	x	2
9	E35	x	2
10	E35	x	2
11	E35	x	2
12	E35	24	3
13	E35	21	3
14	12w6	98	
15			
16			
17			
18			
19	E10	1	27
20	12w6	99	
21	E35	13	3
22			
23	A07	16	33
24	E35	12	3
25			
26	A07	23	33
27			
28			

JACK PIN LG

63016700 Rev. F

CONSOLE 1



AA

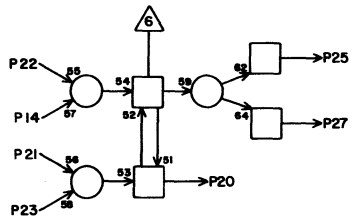
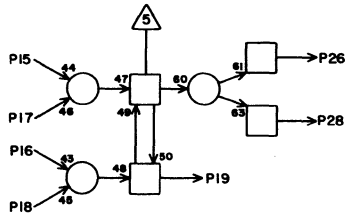
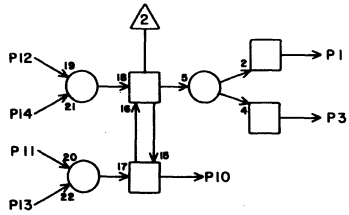
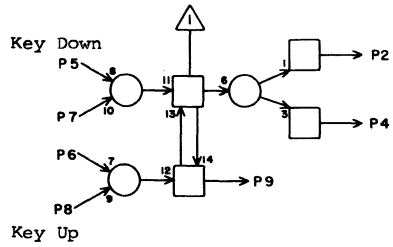
12E36

1	E38	5	5
2	E36	12	3
3			
4	E34	1	4
5	F06	17	31
6	E36	x	2
7	E36	x	2
8	F06	14	31
9	E36	15	5
10			
11	E36	x	2
12	E36	2	3
13	E36	19	3
14	E36	26	3
15	E36	9	5
16	E36	x	2
17	E36	x	2
18	E38	6	5
19	E36	13	3
20			
21	C13	7	25
22	E30	20	9
23	E30	28	9
24	C13	12	25
25	E35	2	5
26	E36	14	3
27	E34	2	5
28			

JACK PIN LG

63016700 Rev. F

CONSOLE (0)



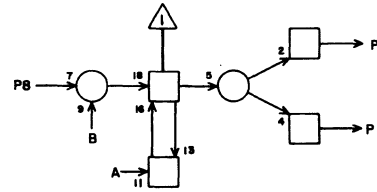
AA 12E37

1	E38	8	3
2	E37	12	3
3			
4	E35	1	
5	F05	17	31
6	E37	x	2
7	E37	x	2
8	F05	14	31
9	E37	15	3
10			
11	E37	x	2
12	E37	2	3
13	E37	19	3
14	E37	26	3
15	E37	9	3
16	E37	x	2
17	E37	x	2
18	E38	3	5
19	E37	13	3
20			
21			
22			
23			
24			
25			
26	E37	14	3
27			
28			

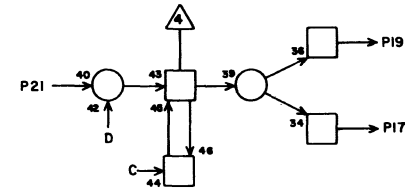
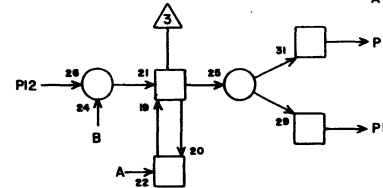
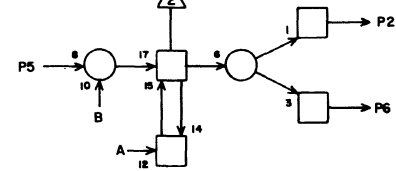
JACK PIN LG

63016700 Rev.F

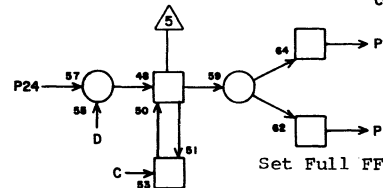
Key Down Console (0)



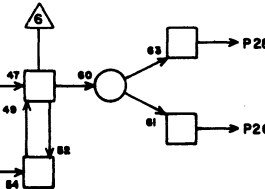
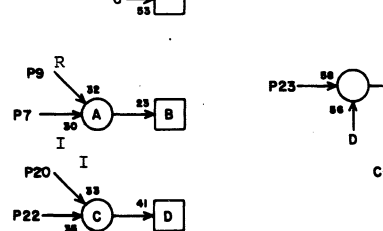
Key Down Console (1)



Input Request



Set Full FF



PA 12E 38

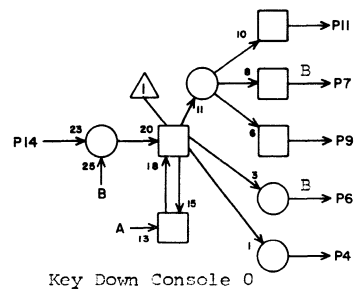
1	E39	13	5
2	E39	17	5
3	E37	18	5
4			
5	E36	1	5
6	E36	18	5
7	E07	15	35
8	E37	1	3
9	E10	9	27
10			
11			
12			
13			
14			
15			
16			
17			
18			
19			
20	E07	6	35
21			
22	E38	x	2
23	E39	11	5
24	E39	19	3
25	C08	21	31
26	D09	26	27
27	E39	14	3
28	D09	25	27

JACK PIN LG

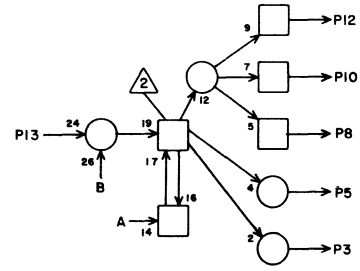
63016700 Rev.F

12E38

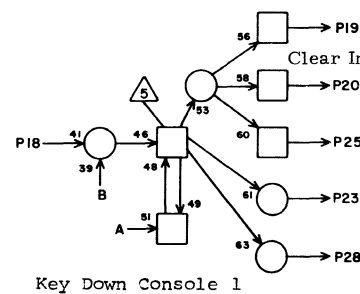
PD 12E 39



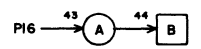
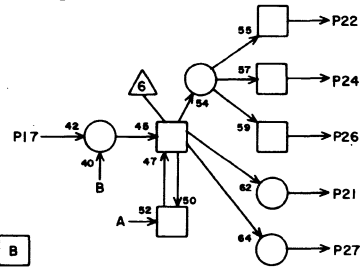
Key Down Console 0



Clear Input Request



Key Down Console 1

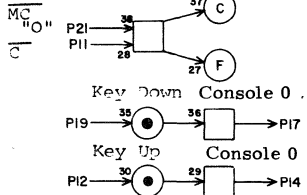
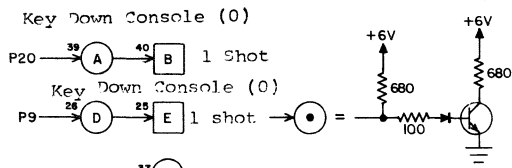
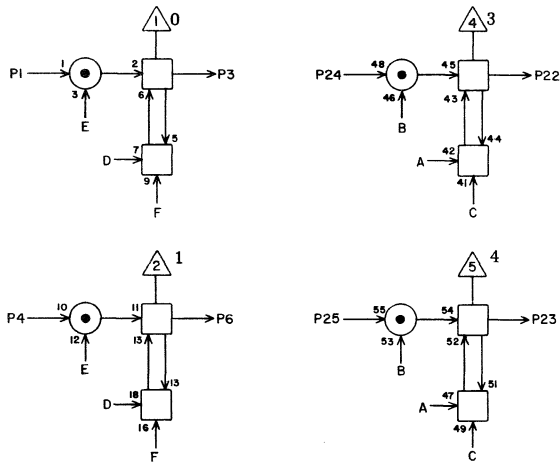


1			
2			
3			
4			
5			
6			
7	C03	7	35
8			
9	C03	3	35
10			
11	E38	23	5
12	E35	3	5
13	E38	1	5
14	E38	27	3
15			
16	D04	2	33
17	E38	2	5
18	E27	19	3
19	E38	24	3
20	E28	24	13
21			
22	E34	3	9
23			
24			
25			
26			
27			
28			

JACK PIN LG

63016700 Rev.F

CONSOLE 0 KEYBOARD REGISTER

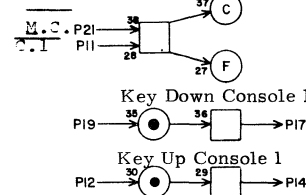
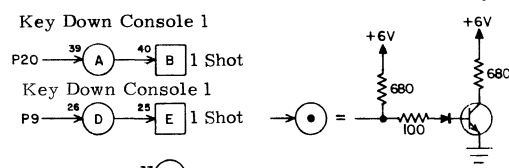
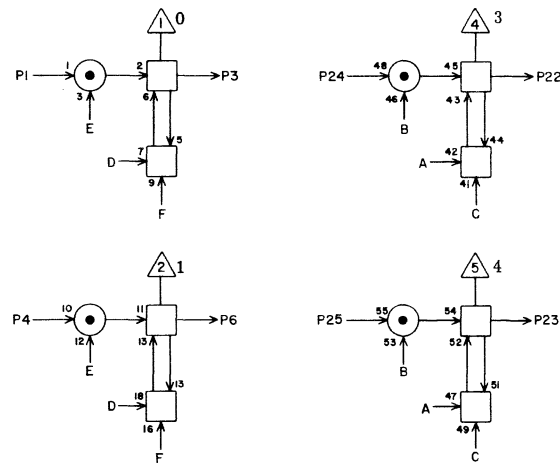


XI 12F 05

1	12w6	90	
2			
3	E05	6	7
4	12w6	91	
5	12w6	92	
6	E05	5	7
7	E05	7	7
8			
9	E10	14	9
10			
11	D09	18	11
12	12w6	97	
13			
14	E37	8	31
15			
16			
17	E37	5	31
18			
19	12w6	96	
20	E10	8	9
21	C13	19	17
22	E05	22	7
23	E05	24	7
24	12w6	93	
25	12w6	94	
26	E05	23	7
27			
28	12w6	95	

JACK PIN LG

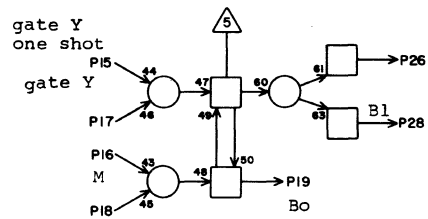
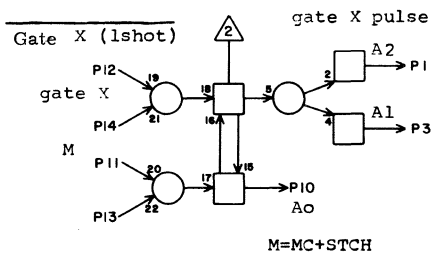
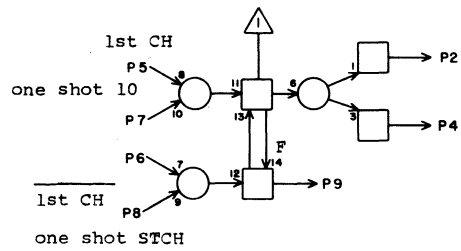
CONSOLE 1 KEYBOARD REGISTER



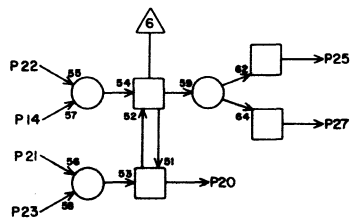
XI 12 F06

1	12w8	90	
2			
3	E05	7	7
4	12w8	91	
5	12w8	92	
6	E05	1	7
7	E05	12	7
8			
9	E10	22	7
10			
11	D09	20	11
12	12w8	97	
13			
14	E36	8	31
15			
16			
17	E36	5	31
18			
19	12w8	96	
20	E10	21	9
21	C13	21	17
22	E05	17	7
23	E05	28	7
24	12w8	93	
25	12w8	94	
26	E05	27	7
27			
28	12w8	95	

JACK PIN LG



Gate X Dot Mode + Gate Y + M.C.

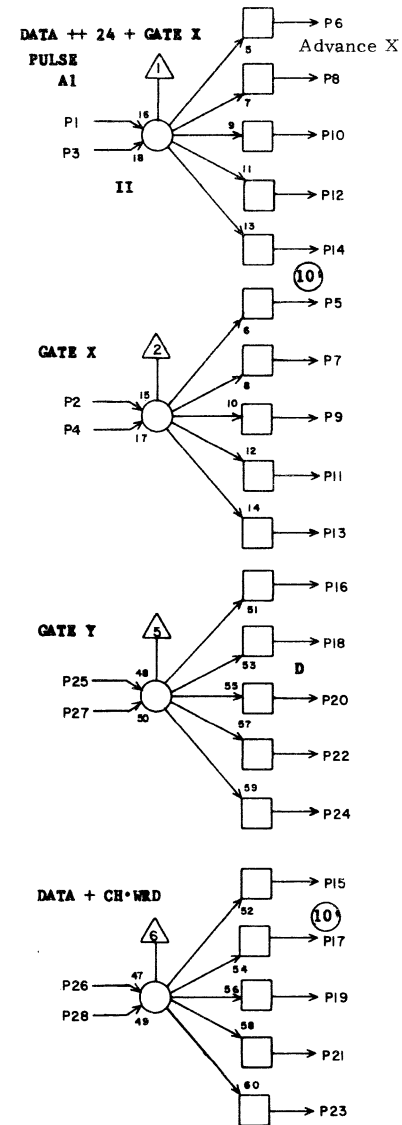


Y cov

AA 12 F07

1	F15	3	11
2	B06	15	19
3	C04	18	15
4			
5	D02	8	13
6	B06	10	19
7	D06	4	13
8	F12	11	7
9	C05	2	17
10	F14	21	11
11	F15	14	15
12	F12	18	9
13	F07	x	2
14	F10	7	5
15	F12	20	9
16	F15	8	15
17	F10	18	5
18	F07	x	2
19	F14	25	11
20			
21	F07	x	2
22	C04	16	15
23	C05	16	15
24	F07	x	2
25	12w5	908	
26			
27	12w7	908	
28	F15	6	11

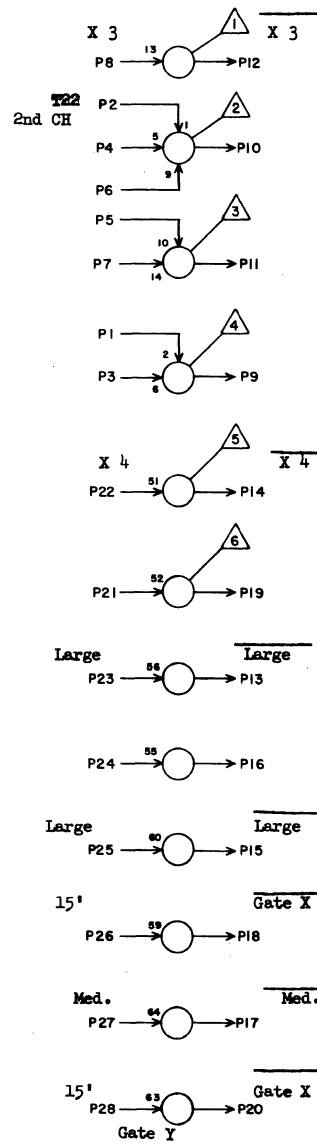
JACK PIN LG



12F10

1	C04	19	15
2	E09	17	7
3	E07	26	7
4	F10	X	2
5	F12	26	120
6	F17	22	11
7	F07	14	5
8	F17	11	11
9	C05	18	15
10	F18	22	11
11	F17	13	11
12	F18	11	11
13	F18	13	11
14			
15	C04	22	17
16	F12	28	180
17	D06	13	120
18	F07	17	5
19	D06	18	13
20	C05	24	17
21	C05	13	17
22	C03	2	19
23			
24	C04	2	17
25	E09	26	7
26	E09	23	7
27	F10	X	2
28	F10	X	2

JACK PIN LG



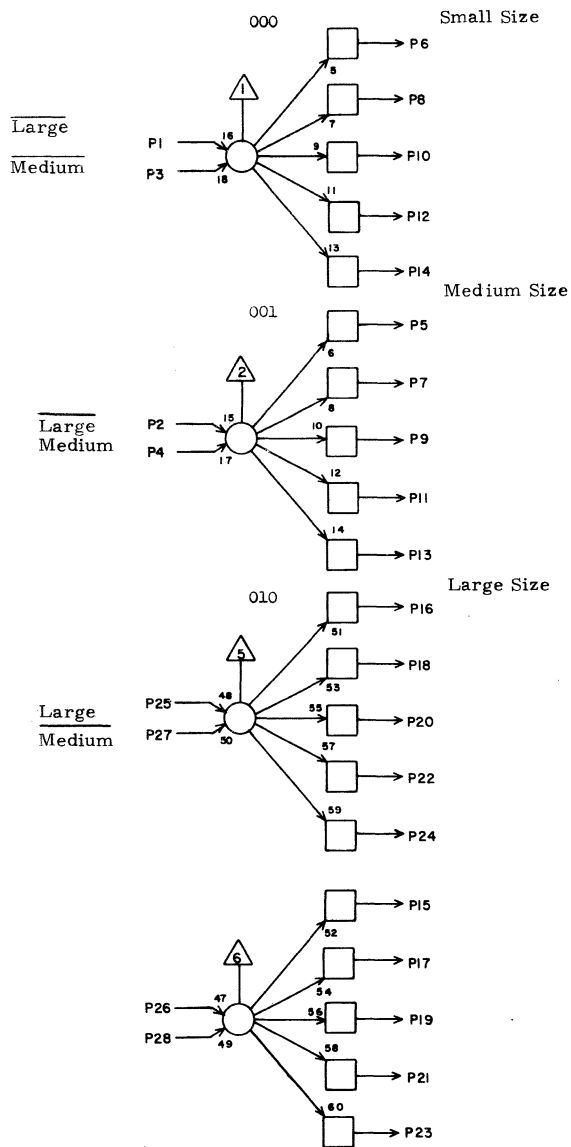
TL

12F12

1	C03	15	15
2	D22	19	15
3	C13	25	13
4	D02	21	15
5	C03	13	15
6			
7	C13	23	15
8	F19	2	11
9	B06	6	23
10	C05	26	15
11	F07	8	7
12	F14	10	5
13	F14	12	5
14	F14	15	5
15	F14	17	5
16			
17	F14	14	5
18	F07	12	9
19			
20	F07	15	9
21			
22	F19	5	11
23	F13	16	5
24			
25	F13	18	5
26	F10	05	120
27	F13	5	5
28	F10	16	180

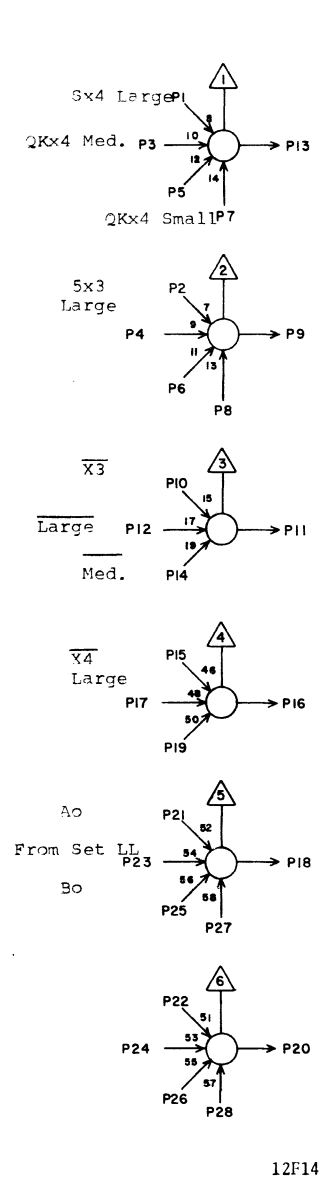
JACK PIN LG

CHARACTER SIZE FAN-OUTS



T D		12F13	
JACK	PIN	LG	
1	F15	18	5
2	F15	16	5
3	F15	19	5
4	A04	2	25
5	F12	27	5
6	D09	12	13
7	D09	4	13
8	C04	23	17
9	C04	27	17
10	12W6	900	
11	12W6	901	
12	12W8	900	
13	12W8	901	
14			
15			
16	F12	23	5
17			
18	F12	25	5
19			
20	D09	3	15
21			
22	F14	4	5
23			
24			
25	A04	1	25
26			
27	F15	23	5
28			

63016700 Rev. F



T I		12F14	
JACK	PIN	LG	
1	D09	13	13
2	C11	19	15
3	D09	9	13
4	F12	22	5
5	D09	11	13
6	GRD	x	2
7	GRD	x	2
8	GRD	x	2
9	C04	26	17
10	F12	12	5
11	F20	13	9
12	F12	13	5
13	F17	8	5
14	F12	17	5
15	F12	14	5
16	F20	14	9
17	F12	15	5
18	C06	21	17
19	GRD	x	2
20			
21	F07	10	11
22			
23	C03	14	19
24			
25	F07	19	11
26			
27			
28			

63016700 Rev. F

X REGISTER

PA 12F 16

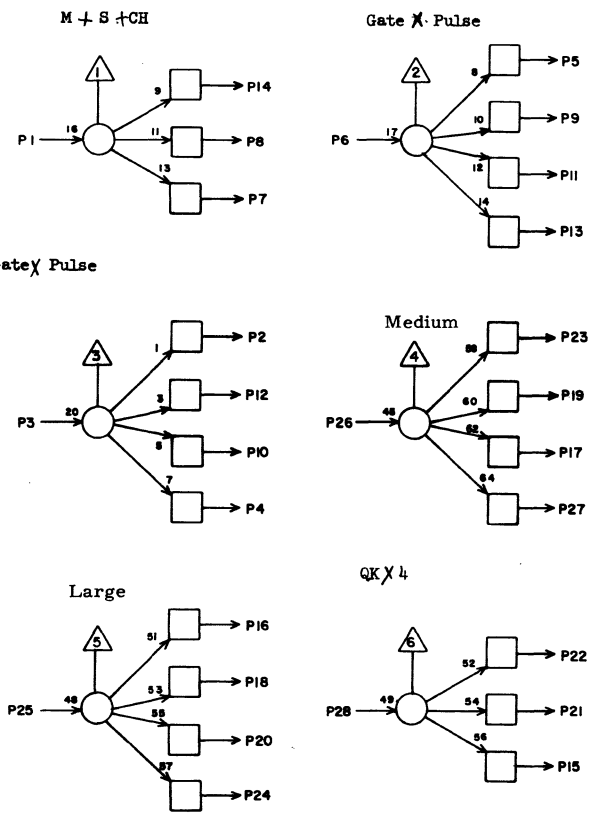
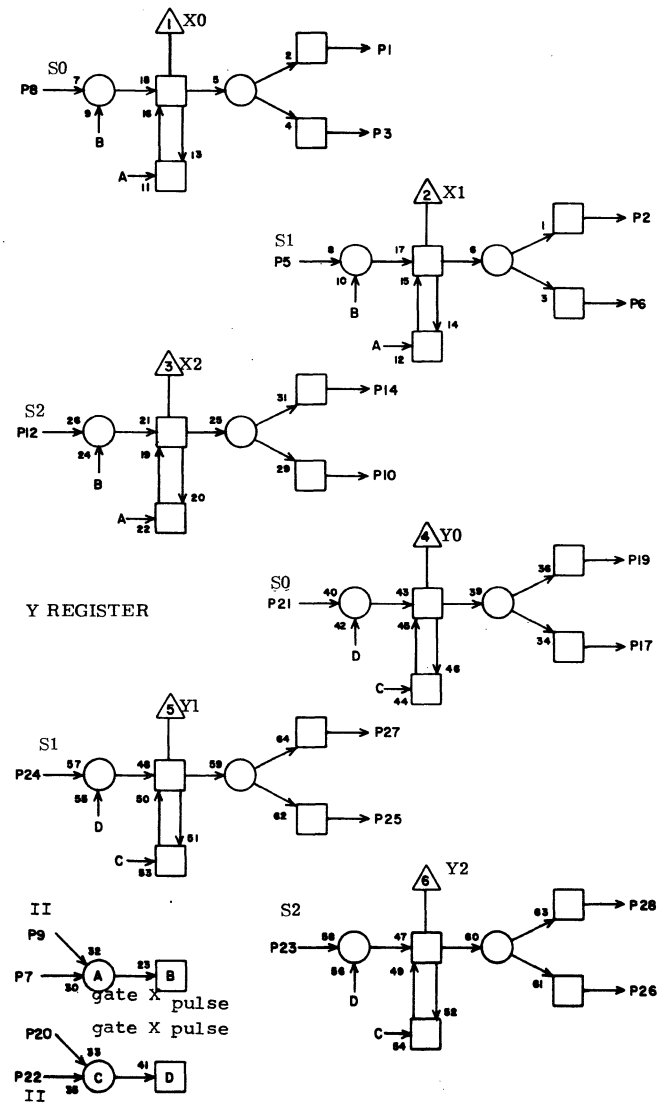
1	12W5	90	
2	12W5	91	
3	12W7	90	
4			
5	A08	5	25
6	12W7	91	
7	F15	2	5
8	A08	14	25
9	E07	24	13
10	12W7	92	
11			
12	A08	2	25
13			
14	12W5	92	
15			
16			
17	12W7	99	
18			
19	12W5	99	
20	F15	5	3
21	A08	8	25
22	E07	22	13
23	A08	12	25
24	A08	9	25
25	12W7	900	
26	12W7	901	
27	12W5	900	
28	12W5	901	

JACK PIN LG
63016700 Rev. F

TM 12F15

1	CO5	11	17
2	F16	7	5
3	F07	1	11
4			
5	F16	20	3
6	F07	28	11
7			
8	F07	16	75
9	F22	9	11
10			
11	F22	20	11
12	CO4	13	19
13	CO4	17	19
14	F07	11	75
15			
16	F13	2	5
17			
18	F13	1	5
19	F13	3	5
20			
21	DO9	10	15
22	DO9	2	15
23	F13	27	5
24			
25	A04	4	27
26	A04	11	25
27			
28	F20	24	9

JACK PIN LG
63016700 Rev. F



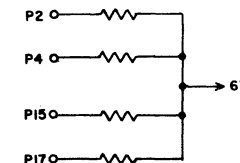
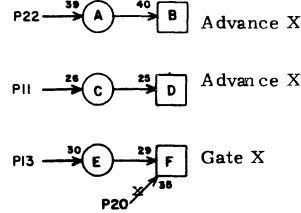
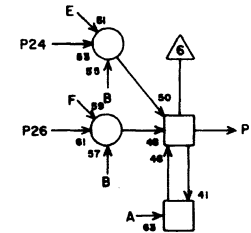
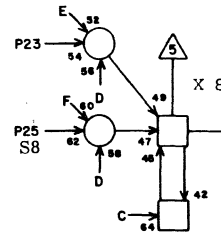
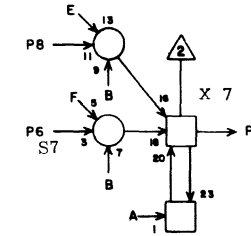
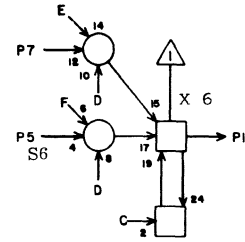
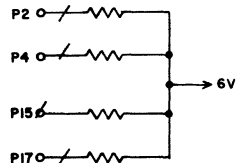
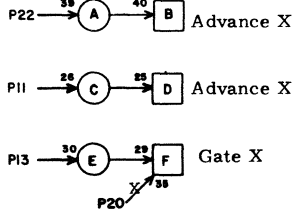
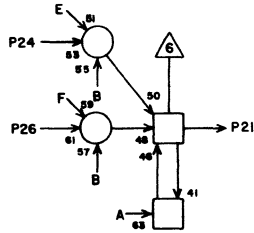
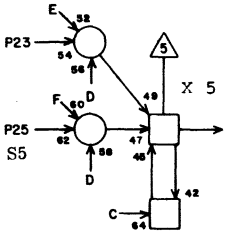
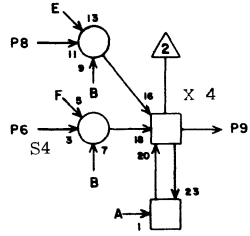
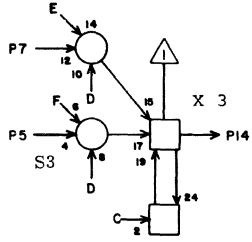
Gate Y Pulse

Large

QK X 4

3 X REGISTER

X REGISTER



PC		12	F 17
1			
2	C05	12	19
3			
4	C05	17	19
5	A08	23	25
6	A08	16	23
7	C04	28	19
8	F14	13	5
9	F19	6	5
10			
11	F10	8	11
12			
13	F10	11	11
14	F19	3	5
15	C05	25	17
16			
17	E06	22	15
18	F19	1	5
19			
20	GRD	x	2
21			
22	F10	6	11
23	F20	20	5
24			
25	A08	22	25
26			
27			
28			

JACK PIN LG

63016700 Rev. F

PC		12	F 18
1			
2			
3			
4			
5	A07	14	25
6	A07	5	25
7	F21	9	5
8	F21	24	5
9	F19	25	5
10			
11	F10	12	11
12			
13	F10	13	11
14	F19	26	5
15			
16			
17			
18	F19	28	3
19			
20	GRD	x	2
21			
22	F10	10	11
23	F21	20	5
24			
25	A07	2	27
26			
27			
28			

JACK PIN LG

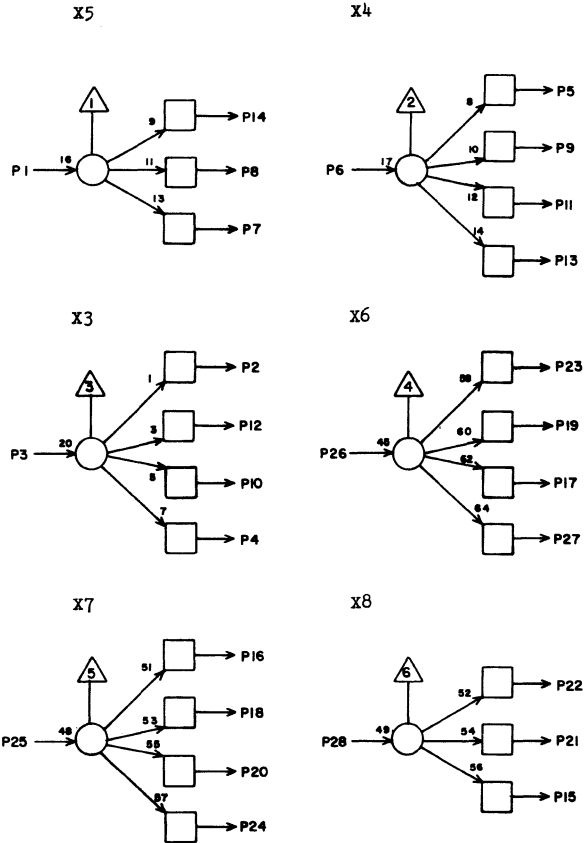
63016700 Rev. F

12F18

X REGISTER INCREMENTOR,
CHARACTER MODE

QK 12 F 20

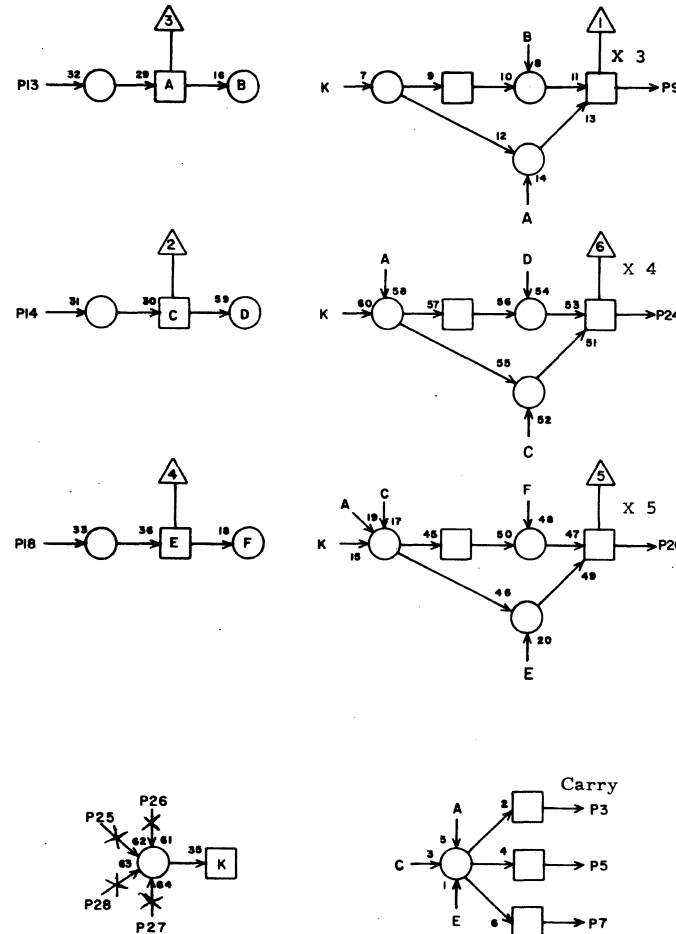
X Pos Slaves



TM		12F19	
1	F17	18	5
2	F12	8	11
3	F17	14	5
4	12W7	93	
5	F12	22	11
6	F17	9	5
7	(12W7)	(95)	
8	(12W5)	(95)	
9	C11	24	17
10	(12W5)	(93)	
11	(12W5)	(94)	
12	C11	21	17
13	(12W7)	(94)	
14	F20	18	3
15	12W7	98	
16	F21	14	5
17	(12W7)	(96)	
18	(12W5)	(97)	
19	(12W5)	(96)	
20	(12W7)	(97)	
21	(12W5)	(98)	
22	F21	18	5
23	F21	13	5
24			
25	F18	9	5
26	F18	14	5
27			
28	F18	18	3

JACK PIN LG

63016700 Rev. F



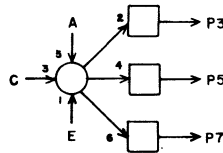
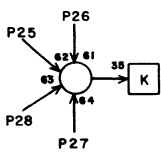
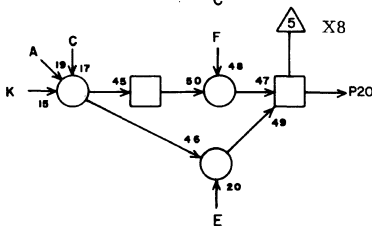
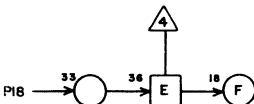
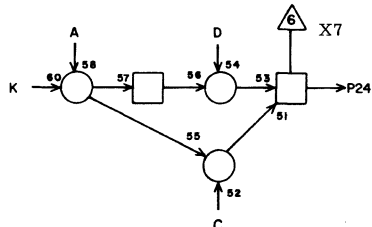
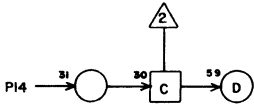
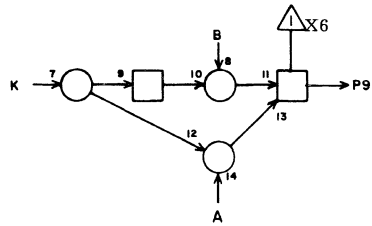
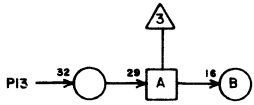
1			
2			
3	F21	26	5
4			
5			
6			
7			
8			
9	C04	21	21
10			
11			
12			
13	F14	11	9
14	F14	16	9
15			
16			
17			
18	F19	14	3
19			
20	F17	23	5
21			
22			
23			
24	F15	28	9
25	GRD	x	2
26	GRD	x	2
27	GRD	x	2
28	GRD	x	2

JACK PIN LG

63016700 Rev. F

X REGISTER INCREMENTOR,
CHARACTER MODE

Y REGISTER

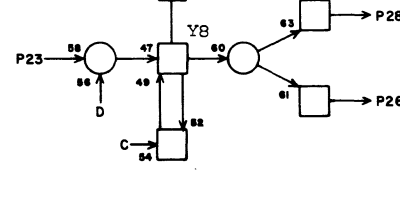
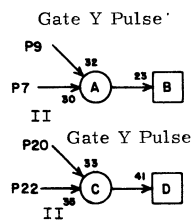
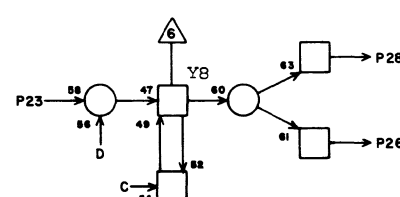
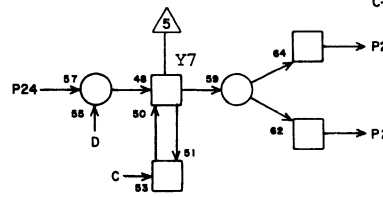
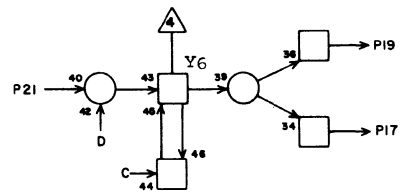
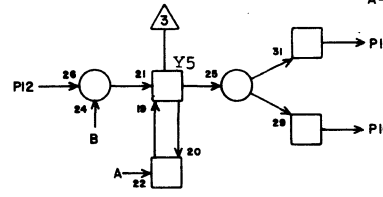
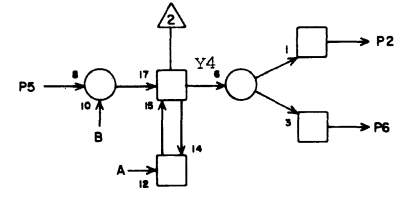
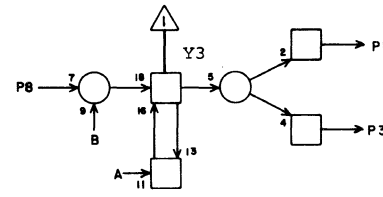


QK 12 F 21

1		
2		
3		
4		
5		
6		
7		
8		
9	F18	7 5
10		
11		
12		
13	F19	23 5
14	F19	16 5
15		
16		
17		
18	F 19	22 5
19		
20	F18	23 5
21		
22		
23		
24	F18	8 5
25	GRD	x 2
26	F20	3 5
27	GRD	x 2
28	GRD	x 2
	JACK	PIN LG

63016700 Rev. F

PA 12 F 22



1	(12W5 902)	
2	(12W5 903)	
3	(12W7 902)	
4		
5	A08	18 25
6	(12W7 903)	
7	E07	20 17
8	A08	19 25
9	F15	9 11
10	(12W7 904)	
11		
12	A08	21 25
13		
14	(12W5 904)	
15		
16		
17	(12W7 905)	
18		
19	(12W5 905)	
20	F15	11 11
21	A07	8 27
22	E07	18 17
23	A07	12 27
24	A07	9 27
25	(12W7 906)	
26	(12W7 907)	
27	(12W5 906)	
28	(12W5 907)	
	JACK	PIN LG

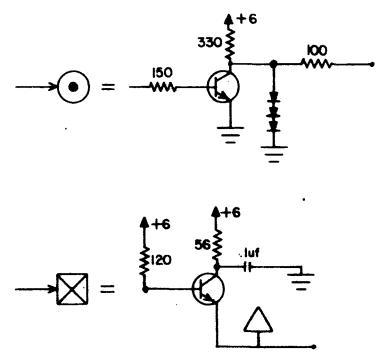
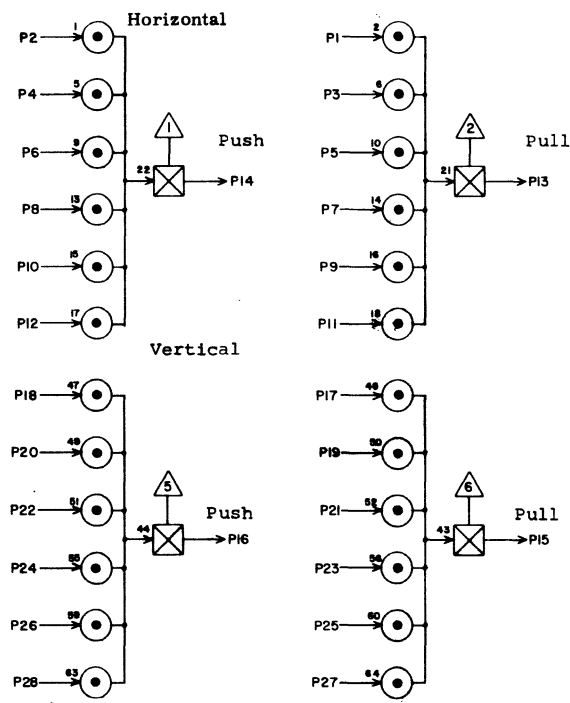
63016700 Rev. F

12F22



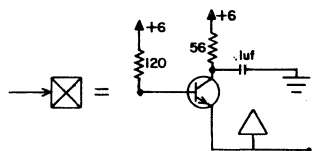
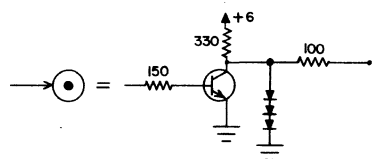
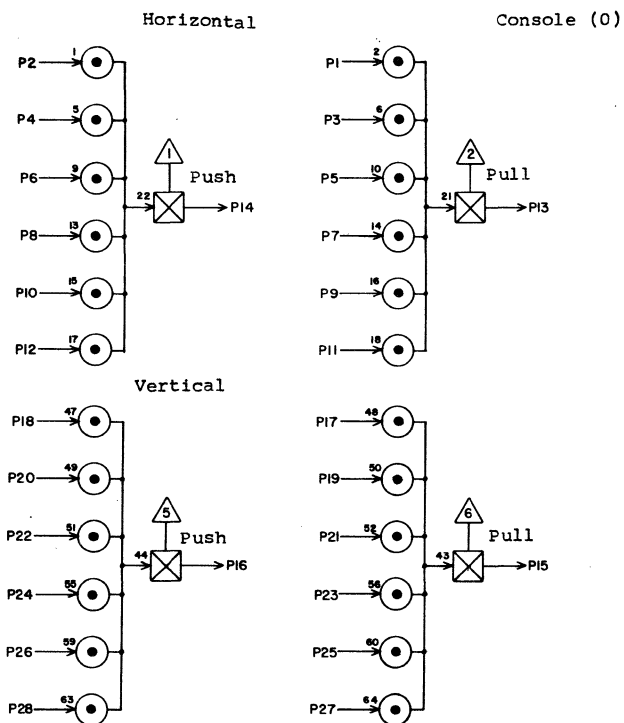
CHARACTER FORMATION
CONSOLE 1

AF 12F 26



	AF	12F	26
1	E29	18	5
2	F36	7	13
3	F36	11	13
4	F36	10	13
5	F36	27	13
6	F36	15	13
7	F36	24	13
8	F35	15	13
9	F35	24	13
10	E29	21	7
11	F35	27	13
12	F38	27	15
13	12WB	906	
14	12WB	905	
15	12WB	904	
16	12WB	903	
17	E29	19	7
18	F34	7	13
19	F34	11	13
20	F34	10	13
21	F34	27	13
22	F34	15	13
23	F34	24	13
24	F35	7	13
25	F35	13	13
26	E29	12	9
27	F35	4	13
28	F31	3	9
	JACK	PIN	LG

CHARACTER FORMATION



AF 12F 27

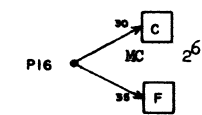
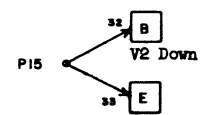
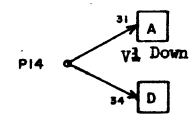
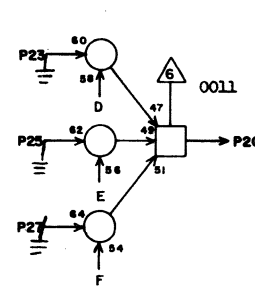
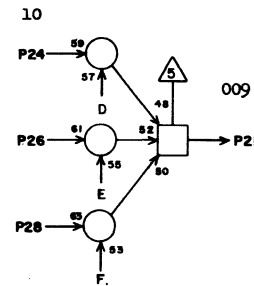
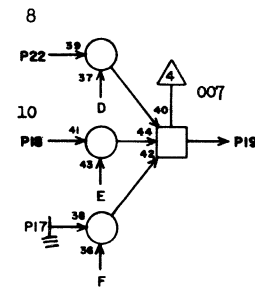
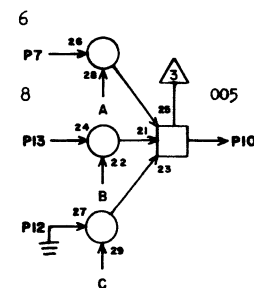
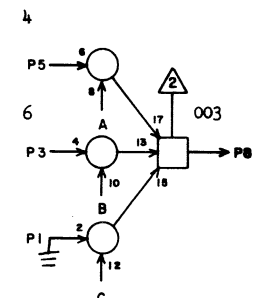
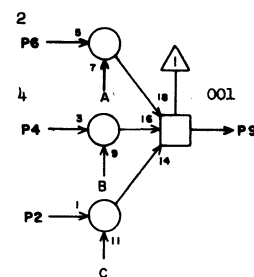
JACK	PIN	LG
1	E29	16 5
2	F39	4 15
3	F36	9 13
4	F39	3 15
5	F36	17 13
6	F38	4 13
7	F36	20 13
8	F38	3 13
9	F35	20 13
10	F38	28 13
11	F35	17 13
12	F38	25 13
13	12W6	906
14	12W6	905
15	12W6	904
16	12W6	903
17	E29	23 7
18	F32	4 9
19	F34	9 9
20	F32	3 9
21	F34	17 9
22	F32	28 9
23	F34	20 9
24	F32	27 9
25	F35	11 11
26	F31	2 9
27	F35	10 11
28	F31	1 9

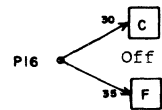
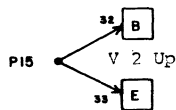
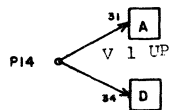
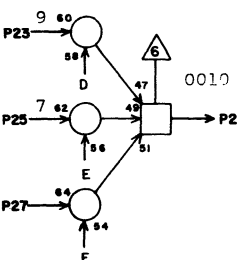
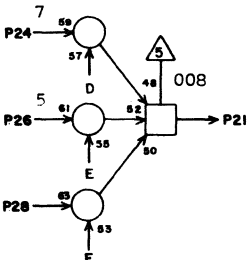
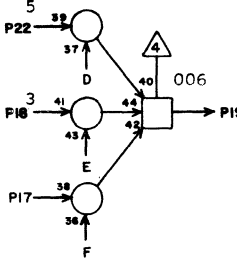
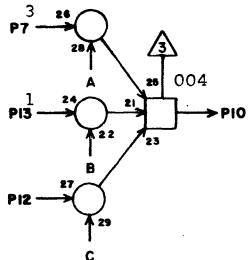
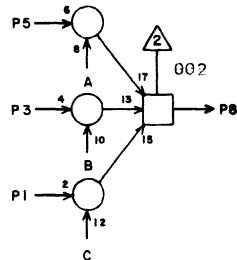
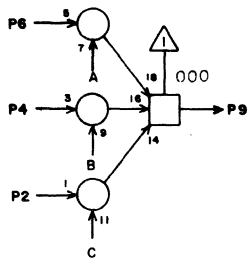
63016700 Rev. F

TE 12F28

JACK	PIN	LG
1	GRD	X 2
2	GRD	X 2
3	F34	16 9
4	F34	23 9
5	F34	19 9
6	F34	5 9
7	F34	18 9
8	F31	22 5
9	F31	15 5
10	F30	5 5
11		
12	GRD	X 2
13	F35	5 11
14	E32	9 9
15	E32	10 9
16	DO6	28 23
17	GRD	X 2
18	F35	2 11
19	F30	12 5
20	F30	22 5
21	F30	15 5
22	F35	9 11
23	GRD	X 2
24	F35	12 11
25	GRD	X 2
26	GRD	X 2
27	GRD	X 2
28	GRD	X 2

63016700 Rev. F





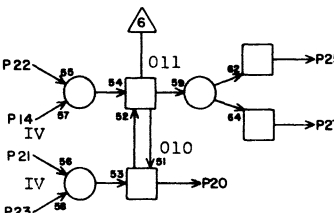
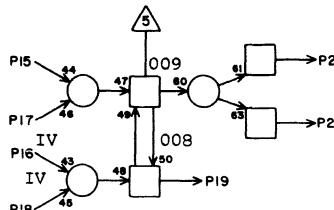
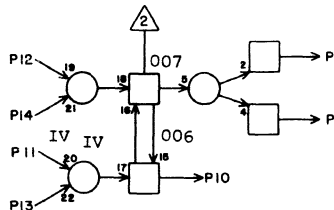
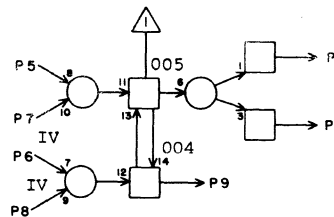
TE 12 29

1	GRD	x	2
2	GRD	x	2
3	GRD	x	2
4	GRD	x	2
5	F34	14	9
6	GRD	x	2
7	F34	2	9
8	F31	23	5
9	F31	18	5
10	F30	8	3
11			
12	GRD	x	2
13	F34	8	9
14	E32	7	9
15	E32	8	9
16	GRD	x	2
17	GRD	x	2
18	F34	12	9
19	F30	13	3
20	F30	23	5
21	F30	18	3
22	F34	22	9
23	E29	2	9
24	F35	14	9
25	F35	8	9
26	F34	21	9
27	GRD	x	2
28	GRD	x	2

JACK PIN LG

63016700 Rev. F

Vert CH Formation



12F30

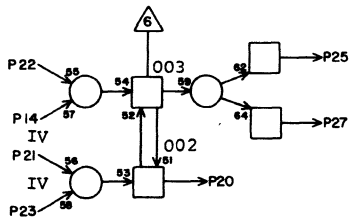
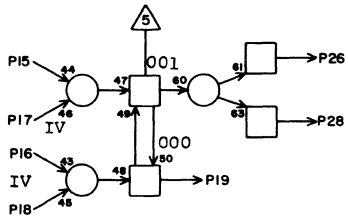
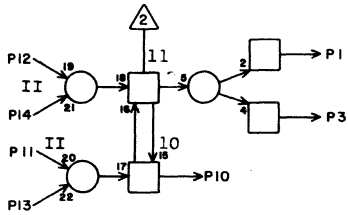
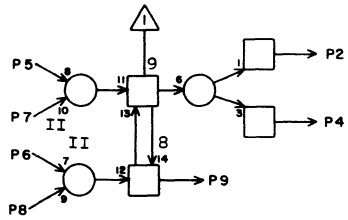
AA 12 F30

1	F32	23	5
2	F32	18	5
3			
4			
5	F28	10	5
6	F33	25	5
7	F33	27	5
8	F29	10	3
9	F32	15	5
10	F32	22	5
11	F33	21	7
12	F28	19	5
13	F29	19	3
14	F33	23	7
15	F28	21	5
16	F33	28	5
17	F33	19	5
18	F29	21	3
19	F31	5	5
20	F31	12	3
21	F33	24	5
22	F28	20	5
23	F29	20	5
24	F33	26	5
25	F31	13	5
26	F31	8	5
27			
28			

JACK PIN LG

63016700 Rev. F

Vert CH Formation



AA

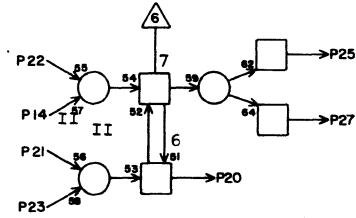
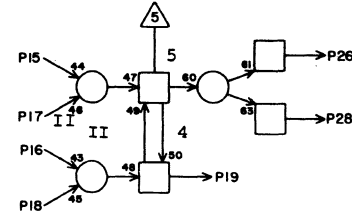
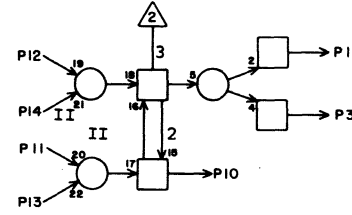
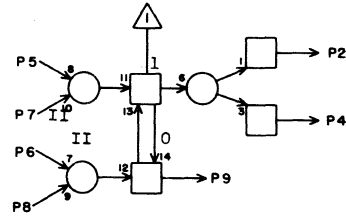
12F31

1	F27	28	9
2	F27	26	9
3	F26	28	9
4	E29	3	7
5	F30	19	5
6	F37	25	11
7	F37	27	11
8	F30	26	5
9	F35	6	9
10	F35	3	9
11	F37	21	11
12	F30	20	3
13	F30	25	5
14	F37	23	11
15	F28	9	5
16	F33	20	5
17	F33	22	5
18	F29	9	5
19	F32	5	5
20	F32	12	5
21	F33	18	7
22	F28	8	5
23	F29	8	5
24	F33	17	7
25	F32	13	7
26	F32	8	5
27			
28			

JACK PIN LG

63016700 Rev. F

Vert CH Formation



AA

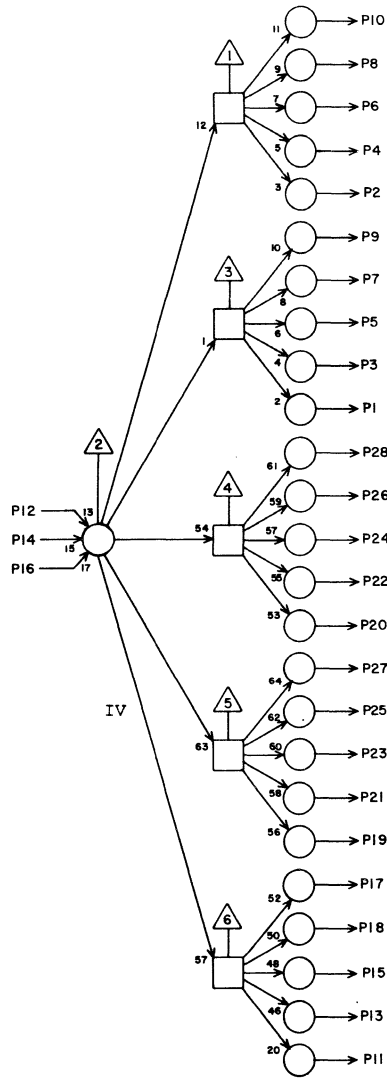
12F32

1	F34	3	5
2	F34	1	5
3	F27	20	9
4	F27	18	9
5	F31	19	5
6	F37	28	9
7	F37	19	9
8	F31	26	5
9	E29	26	9
10	F34	6	5
11	F37	24	9
12	F31	20	5
13	F31	25	7
14	F37	26	9
15	F30	9	5
16	F37	20	9
17	F37	22	9
18	F30	2	5
19	F34	26	5
20	F34	25	5
21	F37	18	9
22	F30	10	5
23	F30	1	5
24	F37	17	9
25	F35	1	5
26	F34	28	5
27	F27	24	9
28	F27	22	9

JACK PIN LG

63016700 Rev. F

CLOCK



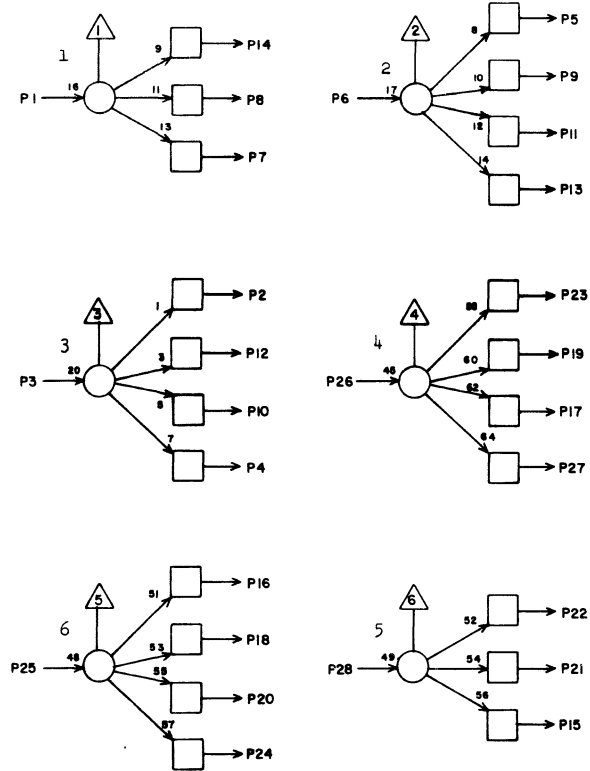
CA 12 F33

1	F39	17	9
2	F40	6	11
3	F39	16	9
4	F40	14	11
5	F39	24	11
6	F40	11	11
7	F39	21	11
8	F40	17	11
9	F40	7	11
10	F40	16	11
11	F40	24	11
12	D03	21	29
13	F40	21	11
14	GRD	x	2
15	E30	16	9
16	GRD	x	2
17	F31	24	7
18	F31	21	7
19	F30	17	5
20	F31	16	5
21	F30	11	7
22	F31	17	5
23	F30	14	7
24	F30	21	5
25	F30	6	5
26	F30	24	5
27	F30	7	5
28	F30	16	5

JACK PIN LG

63016700 Rev. F.

Vert CH Formation



12F34

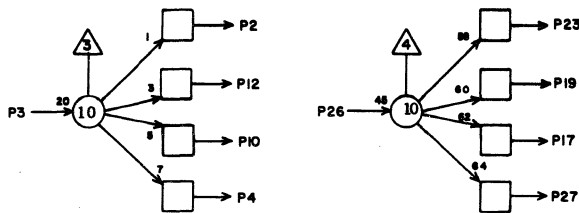
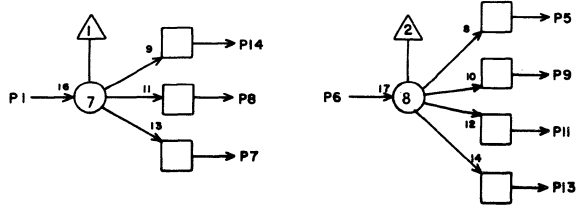
TH 12F34

1	F32	2	5
2	F29	7	9
3	F32	1	5
4			
5	F28	6	9
6	F32	10	5
7	F26	18	13
8	F29	13	9
9	F27	19	9
10	F26	20	13
11	F26	19	13
12	F29	18	9
13			
14	F29	5	9
15	F26	22	13
16	F28	3	9
17	F27	21	9
18	F28	7	9
19	F28	5	9
20	F27	23	9
21	F29	26	9
22	F29	22	9
23	F28	4	9
24	F26	23	13
25	F32	20	5
26	F32	19	5
27	F26	21	13
28	F32	26	5

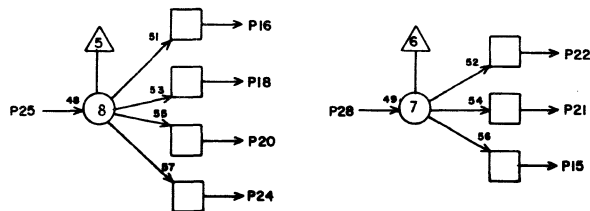
JACK PIN LG

63016700 Rev. F

VERT CH FORMATION



HORIZONTAL CH FORMATION



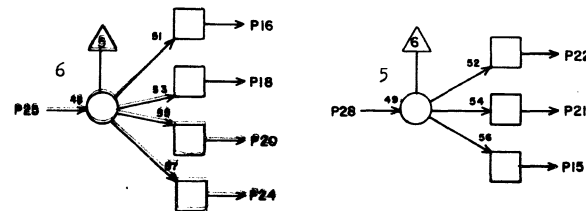
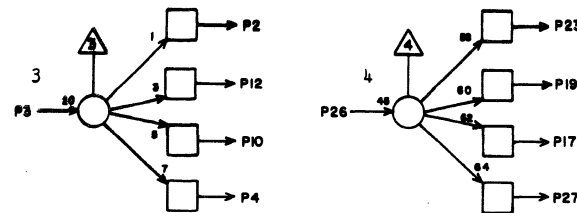
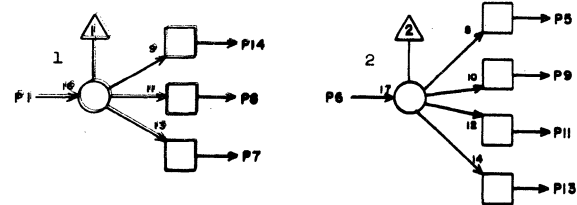
TN 12F35

1	F32	25	5
2	F28	18	11
3	F31	10	9
4	F26	27	13
5	F28	13	11
6	F31	9	9
7	F26	24	13
8	F29	25	9
9	F28	22	11
10	F27	27	11
11	F27	25	11
12	F28	24	11
13	F26	25	13
14	F29	24	9
15	F26	8	13
16	F42	13	11
17	F27	11	13
18	F42	22	11
19	F42	24	11
20	F27	9	13
21	F41	25	11
22	F41	24	11
23	F42	18	11
24	F26	9	13
25	F38	19	9
26	F38	20	11
27	F26	11	13
28	F38	1	9

JACK PIN LG

63016700 Rev. F

Horizontal CH Formation



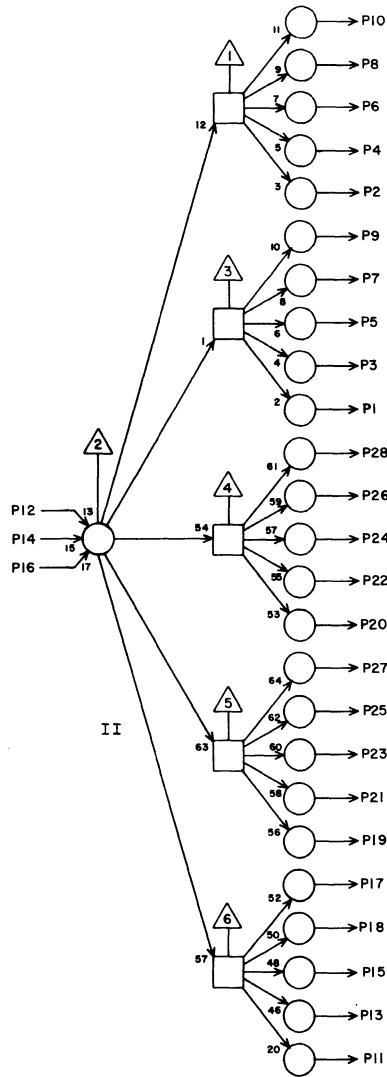
TN 12F36

1	F39	2	5
2	F41	7	9
3	F39	1	5
4			
5	F42	6	9
6	F39	10	9
7	F26	2	13
8	F41	13	9
9	F27	3	13
10	F26	4	13
11	F26	3	13
12	F41	18	9
13			
14	F41	5	9
15	F26	6	13
16	F42	3	9
17	F27	5	13
18	F42	7	9
19	F42	5	9
20	F27	7	13
21	F41	26	9
22	F41	22	9
23	F42	4	9
24	F26	7	13
25	F38	10	5
26	F38	9	5
27	F26	5	13
28	F38	2	5

JACK PIN LG

63016700 Rev. F

CLOCK



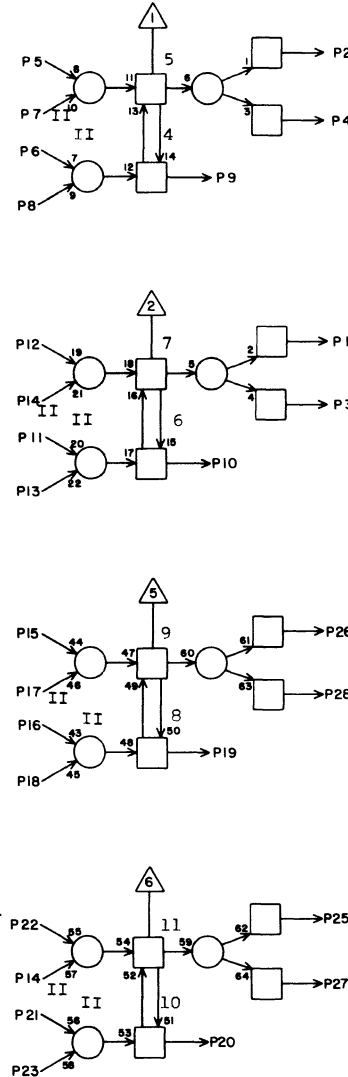
CA 12 F37

1	F38	7	3
2	F38	16	3
3	F38	6	3
4	F38	24	5
5	F38	14	3
6	F38	21	5
7	F38	11	3
8	F38	7	7
9	F38	17	3
10	F38	6	5
11	F38	14	5
12	D03	3	33
13	F38	11	5
14	GRD	x	2
15	E28	16	13
16	GRD	x	2
17	F32	24	9
18	F32	21	9
19	F32	7	9
20	F32	16	9
21	F31	11	11
22	F32	17	9
23	F31	14	11
24	F32	11	9
25	F31	6	11
26	F32	14	9
27	F31	7	11
28	F32	6	9

JACK PIN LG

63016700 Rev. F

Horizontal CH Formation



AA 12F38

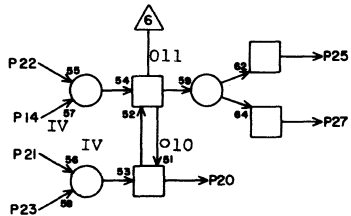
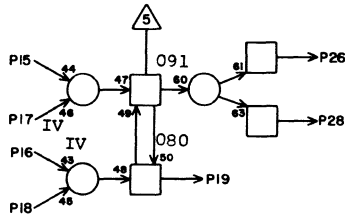
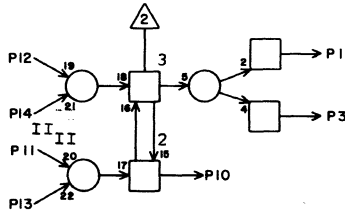
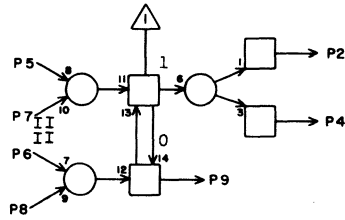
1	F35	28	9
2	F36	28	5
3	F27	8	13
4	F27	6	13
5	F40	19	5
6	F37	3	3
7	F37	1	3
8	F40	26	5
9	F36	26	5
10	F36	25	5
11	F37	7	3
12	F40	20	5
13	F40	25	5
14	F37	5	3
15	F38	19	3
16	F37	2	3
17	F37	9	3
18	F39	26	3
19	F35	25	9
20	F35	26	11
21	F37	6	5
22	F39	20	3
23	F39	25	3
24	F37	4	5
25	F27	12	13
26	E29	28	13
27	F26	12	15
28	F27	10	13

JACK PIN LG

63016700 Rev. F

12F38

HORIZONTAL CH FORMATION



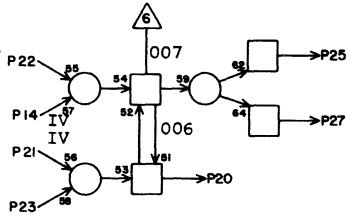
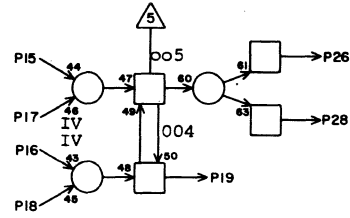
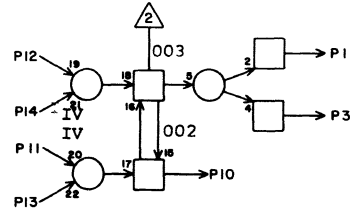
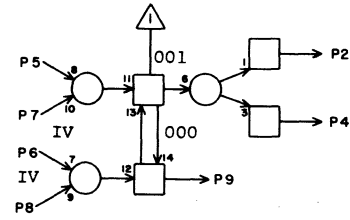
AA 12F39

1	F36	3	5
2	F36	1	5
3	F27	4	15
4	F27	2	15
5	F40	9	3
6	F37	10	5
7	F37	8	5
8	F40	2	3
9	E29	25	13
10	F36	6	9
11	F37	13	5
12	F40	10	3
13	F40	1	3
14	F37	11	5
15	F42	21	5
16	F33	3	9
17	F33	1	9
18	F41	21	7
19	F38	15	3
20	F38	22	3
21	F33	7	11
22	F42	20	5
23	F41	20	5
24	F33	5	11
25	F38	23	3
26	F38	18	3
27			
28			

JACK PIN LG

63016700 Rev. E

Horizontal CH Formation



AA 12F40

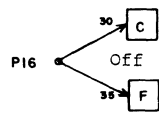
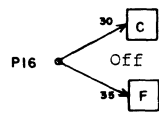
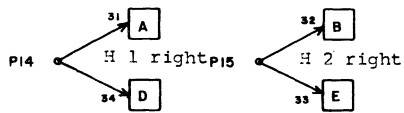
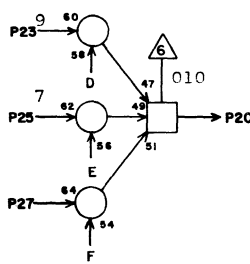
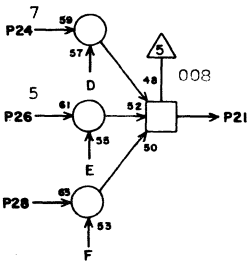
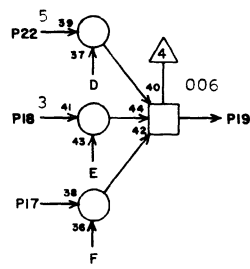
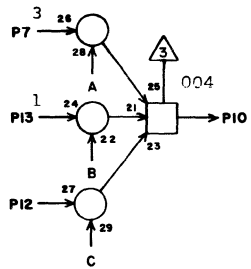
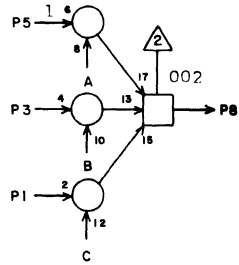
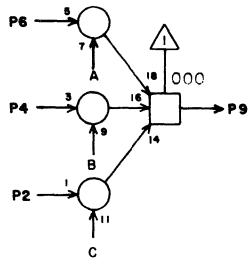
1	F39	13	3
2	F39	8	3
3			
4			
5	F42	9	5
6	F33	2	11
7	F33	9	11
8	F41	9	3
9	F39	5	3
10	F39	12	3
11	F33	6	11
12	F42	8	5
13	F41	8	3
14	F33	4	11
15	F42	10	5
16	F33	10	11
17	F33	8	11
18	F41	10	3
19	F38	5	5
20	F38	12	5
21	F33	13	11
22	F42	19	5
23	F41	19	3
24	F33	11	11
25	F38	13	5
26	F38	8	5
27			
28			

JACK PIN LG

63016700 Rev. F

HORIZONTAL CH FORMATION

HORIZONTAL CH FORMATION

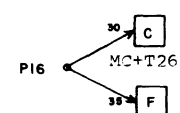
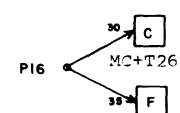
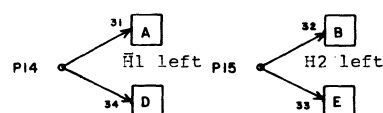
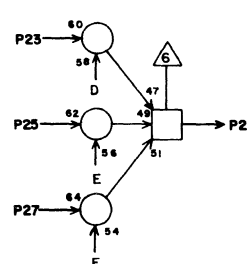
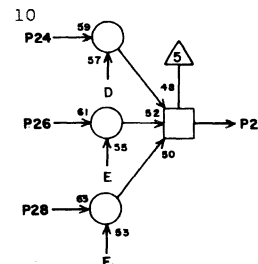
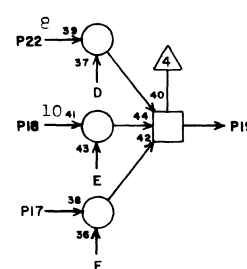
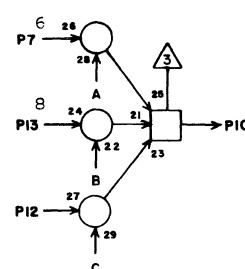
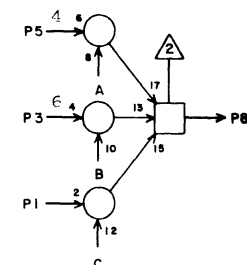
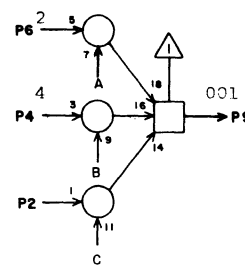


TE 12F 41

1	good	x	2
2	good	x	2
3	good	x	2
4	good	x	2
5	F36	14	9
6	good	x	2
7	F36	?	9
8	F40	13	3
9	F40	8	3
10	F40	10	3
11			
12	good	x	2
13	F36	8	9
14	E32	19	13
15	E32	20	13
16	good	x	2
17	good	x	2
18	F36	12	9
19	F40	23	3
20	F39	23	5
21	F39	18	7
22	F36	22	9
23	E29	22	15
24	F35	22	11
25	F35	21	11
26	F36	21	9
27	good	x	2
28	good	x	2

JACK PIN LG

63016700 Rev. F



TE 12 F 42

1	good	x	2
2	good	x	2
3	F36	16	9
4	F36	23	9
5	F36	19	9
6	F36	5	9
7	F36	18	9
8	F40	12	5
9	F40	5	5
10	F40	15	5
11			
12	good	x	2
13	F35	16	11
14	E32	21	13
15	E32	22	13
16	D06	26	33
17	good	x	2
18	F35	23	11
19	F40	22	5
20	F39	22	5
21	F39	15	5
22	F35	18	11
23	good	x	2
24	F35	19	11
25	good	x	2
26	good	x	2
27	good	x	2
28	good	x	2

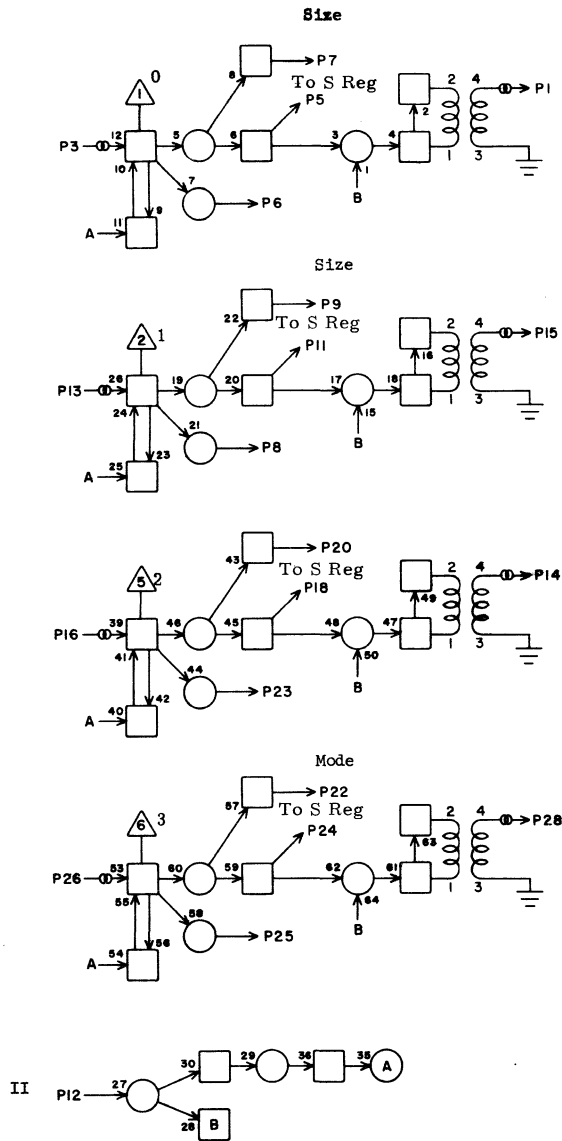
JACK PIN LG

63016700 Rev. F

12F42



INPUT REGISTER

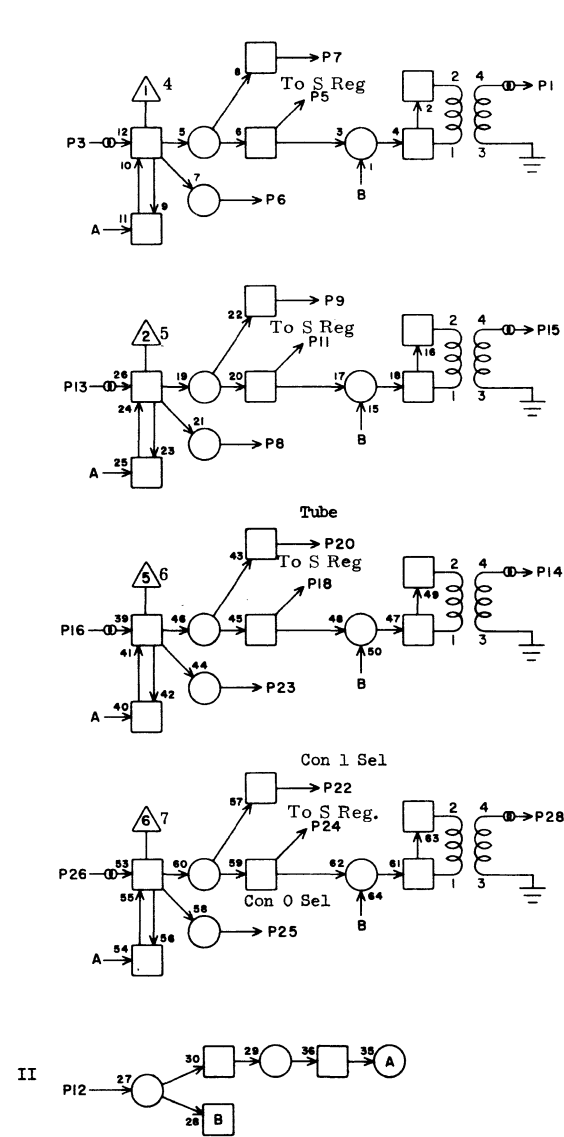


Q1 12G01

1	W16	90	
2			
3	12w14	90	
4			
5	G06	5	7
6			
7	G04	5	5
8			
9	G04	9	5
10			
11	G06	4	7
12	J05	23	17
13	12w14	91	
14	W16	92	
15	W16	91	
16	12w14	92	
17			
18	G06	11	9
19			
20			
21			
22	G04	12	5
23			
24	G06	19	9
25			
26	12w14	93	
27			
28	W16	93	

JACK PIN LG

INPUT REGISTER

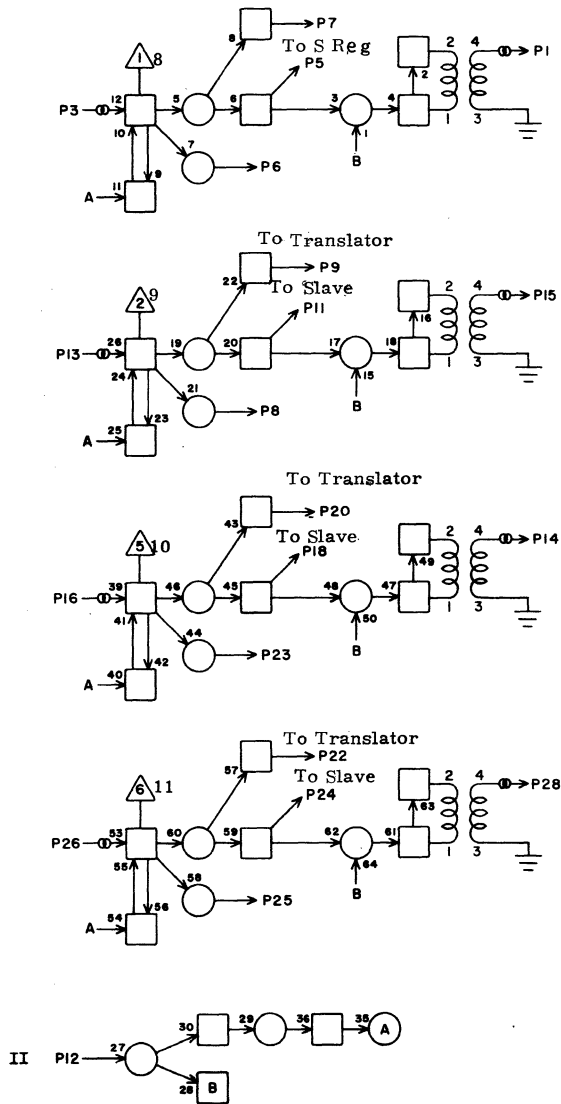


Q1 12G02

1	W16	94	
2			
3	12w14	94	
4			
5	G06	25	7
6			
7	K29	13	31
8			
9			
10			
11	G06	24	7
12	J05	25	17
13	12w14	95	
14	W16	96	
15	W16	95	
16	12w14	96	
17			
18	G05	5	7
19			
20	G04	21	5
21			
22	G04	23	5
23			
24	G05	4	7
25	G04	24	5
26	12w14	97	
27			
28	W16	97	

JACK PIN LG

INPUT REGISTER



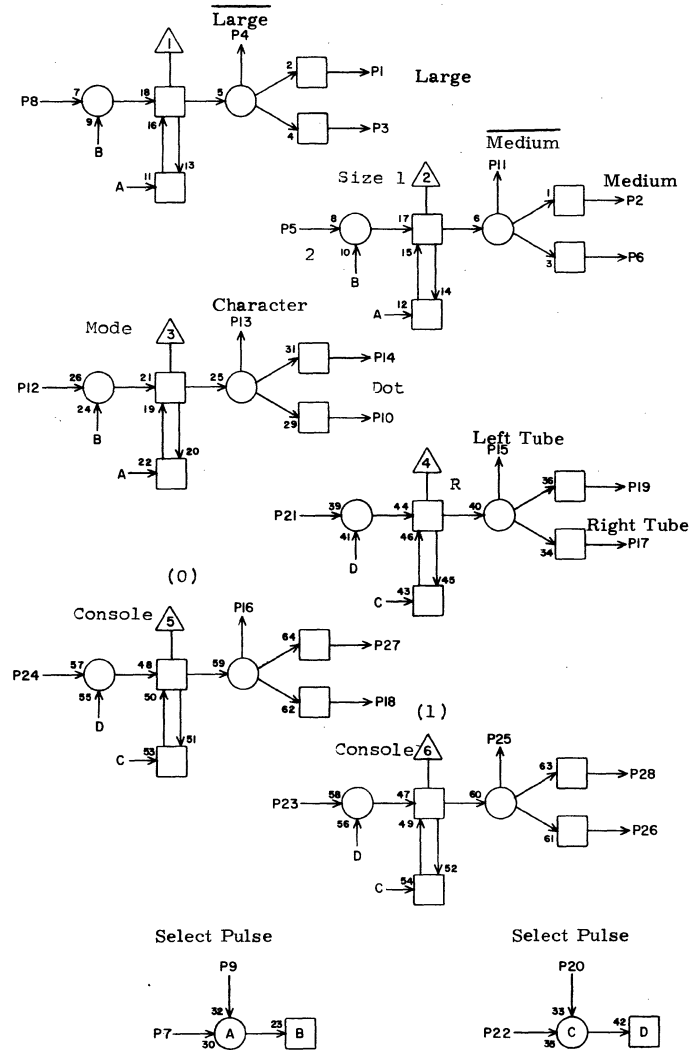
Q1 12G03

1	W16	98	
2			
3	12w14	99	
4			
5	G05	11	5
6			
7			
8			
9	K08	6	19
10			
11	H03	1	5
12	J05	26	17
13	12w14	99	
14	W16	900	
15	W16	99	
16	12w14	900	
17			
18	H03	6	5
19			
20	K08	8	19
21			
22	K08	26	19
23			
24	H03	3	5
25			
26	12w14	901	
27			
28	W16	901	

JACK PIN LG

63016700 Rev. F

MODE FLIP FLOPS



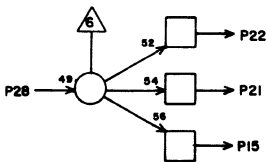
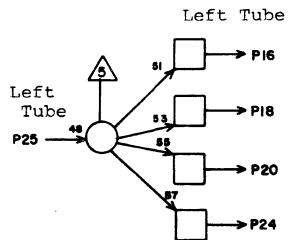
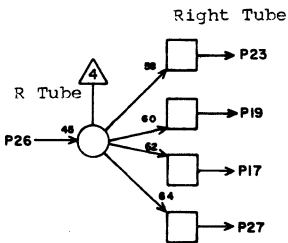
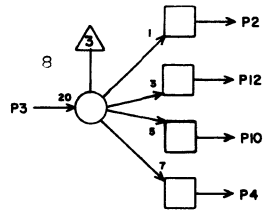
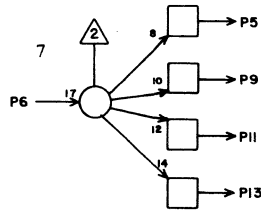
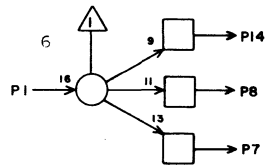
PJ 12G04

1	L13	25	25
2	L13	4	25
3			
4	L15	25	27
5	G01	7	5
6			
7	J05	24	17
8	G01	9	5
9	H04	12	7
10			
11	L15	26	25
12	G01	22	5
13	H05	25	9
14	H05	26	9
15	G07	25	5
16	I03	26	11
17			
18	I03	5	11
19	G07	26	5
20	H04	15	7
21	G02	20	5
22	J05	22	15
23	G02	22	5
24	G02	25	5
25	I03	28	11
26	I03	1	9
27	K35	4	33
28	K34	4	33

JACK PIN LG

63016700 Rev. F

S Reg Slaves



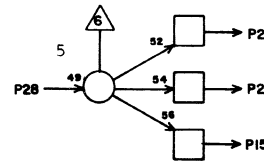
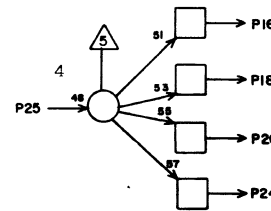
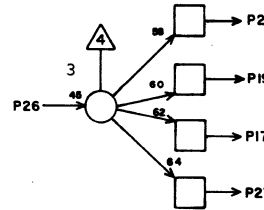
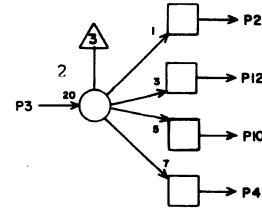
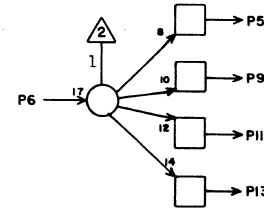
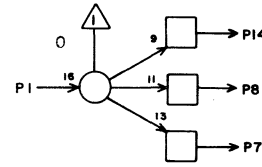
TN 12G07

1	G05	6	5
2	L18	25	27
3	G05	12	7
4			
5	L18	6	25
6	G05	3	5
7	H07	4	7
8	L22	21	27
9	L22	24	27
10	H07	13	9
11	H07	3	5
12	L22	23	27
13			
14	L18	5	25
15			
16	K35	23	33
17			
18	K34	23	33
19	K34	26	33
20			
21			
22			
23	K35	26	33
24			
25	G04	15	5
26	G04	19	5
27			
28			

JACK PIN LG

63016700 Rev. F

S Reg Slaves

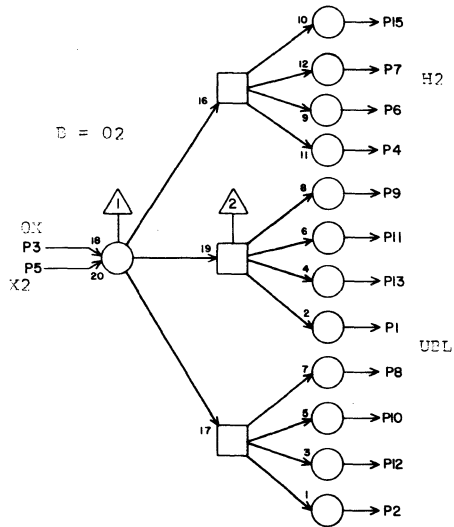


TN 12G08

1	G06	6	5
2	L16	12	25
3	G06	12	5
4			
5	L16	5	25
6	G06	3	5
7	H07	6	7
8	L16	21	25
9	L16	24	25
10	H07	7	7
11	H07	5	7
12	L16	23	25
13			
14	L16	8	25
15	H07	23	9
16	L17	6	23
17	H07	22	9
18	L22	5	25
19	L22	8	25
20	H07	24	9
21	L22	12	25
22	L17	25	25
23	L17	5	25
24			
25	G06	26	5
26	G06	17	5
27			
28	G06	23	5

JACK PIN LG

63016700 Rev. F

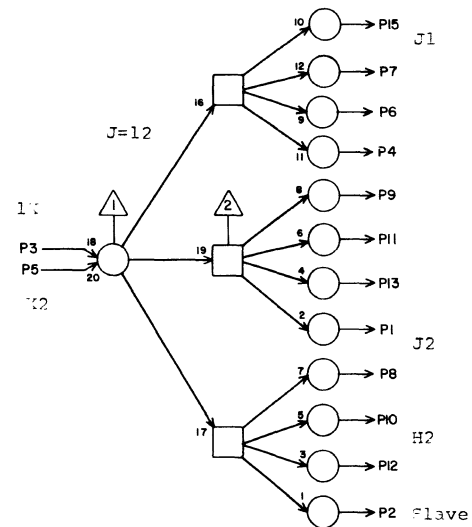


TC 12G09

1	I32	3	25
2			
3	H10	6	9
4	J28	15	25
5	H13	18	9
6	J28	10	23
7	J30	13	25
8	J34	15	29
9	J31	10	25
10			
11	J25	22	21
12			
13	I31	16	23
14	H10	18	9
15	I29	16	23
16	H13	4	9
17			
18	J30	17	25
19			
20	I31	12	23
21			
22	I17	20	15
23	H39	6	29
24	I41	13	33
25	H37	16	27
26	H40	6	31
27			
28			

JACK PIN LG

63016700 Rev. F

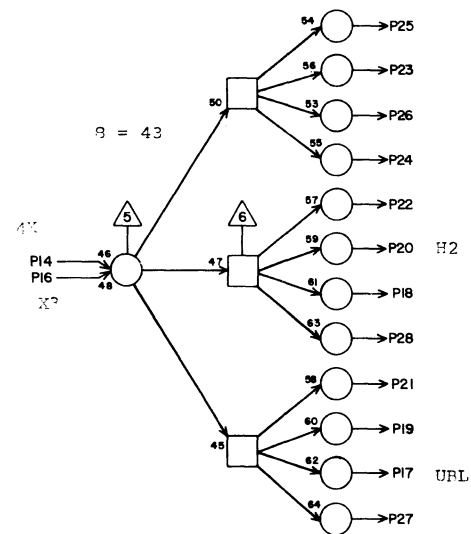
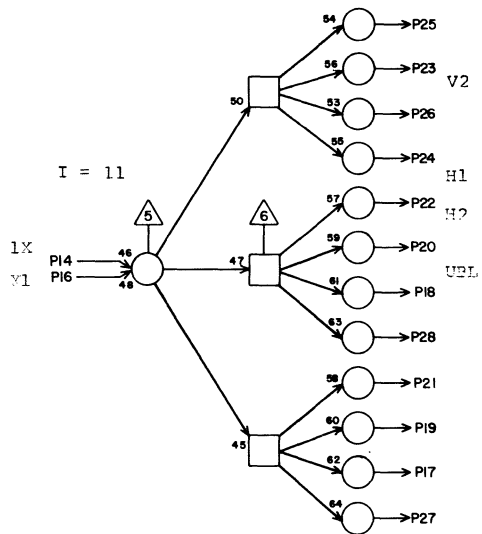


TC 12G10

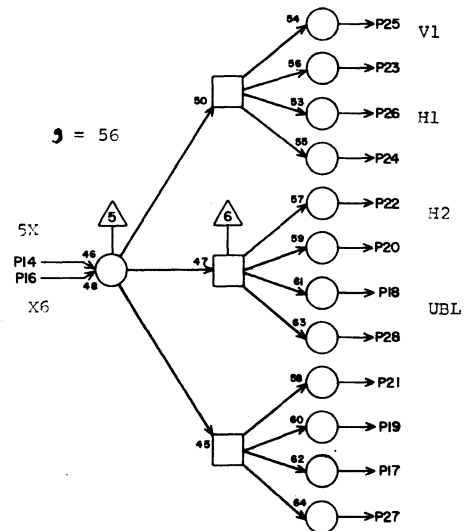
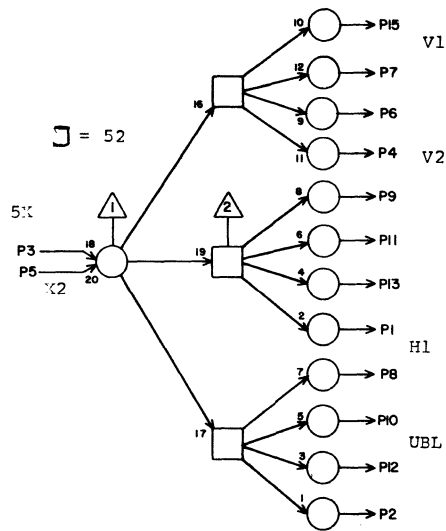
1	H40	4	29
2	H25	28	19
3	H10	20	9
4	H36	12	27
5	H13	20	9
6	I32	9	27
7	H30	22	23
8	H41	12	31
9	H37	12	29
10	I18	12	15
11	H37	14	29
12	I18	21	15
13	H39	4	29
14	H12	11	9
15	H30	3	23
16	H14	2	9
17	I30	20	23
18	J30	2	25
19	J28	19	23
20	I29	25	23
21	J28	14	23
22	I28	26	23
23	I26	10	19
24	I28	10	21
25	I25	10	19
26	I27	12	19
27	J34	6	27
28	J30	5	25

JACK PIN LG

63016700 Rev. F



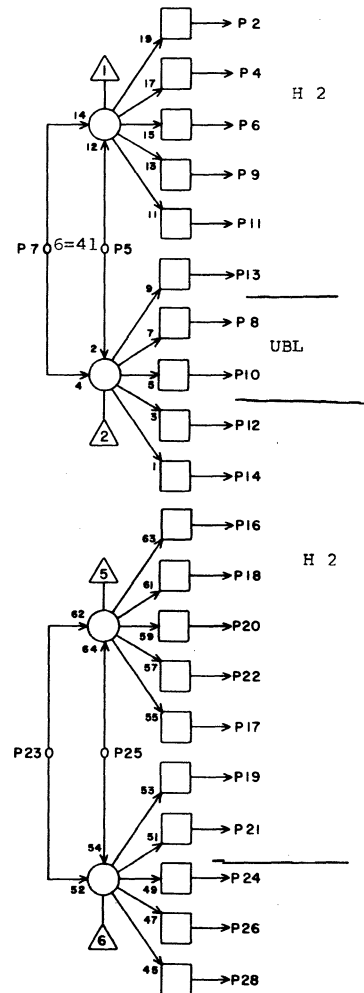
12G10



TC 12G11

	JACK	PIN	LG
1	J29	3	23
2			
3	H12	20	9
4	I40	14	29
5	H13	21	9
6	I40	6	29
7	I34	26	25
8	I29	6	21
9	I41	23	31
10	J30	24	25
11	J26	6	21
12	J33	26	27
13	J27	6	21
14	H12	17	9
15	I33	6	25
16	H15	8	9
17			
18	J32	25	25
19			
20	I34	28	25
21			
22			
23	J27	5	21
24			
25	I37	4	27
26			
27			
28	H29	7	25

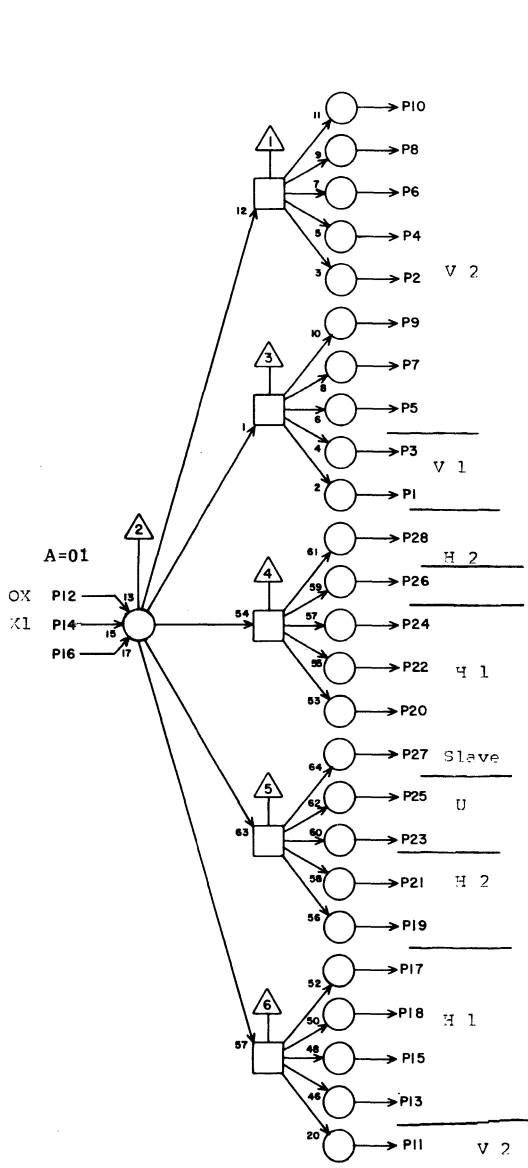
63016700 Rev. F



HC 12 G 12

	JACK	PIN	LG
1			
2	I25	14	17
3			
4	I26	14	19
5	G38	27	27
6	I27	14	19
7	Good	x	2
8	J31	4	23
9	I28	24	19
10	J33	24	25
11	I29	23	21
12			
13	J30	10	23
14			
15			
16	I23	16	17
17	I28	8	19
18	I25	8	17
19	I29	14	21
20	I26	8	17
21	I29	27	21
22	I27	10	19
23	Good	x	2
24	I30	22	21
25	G40	27	27
26	J33	11	25
27			
28			

63016700 Rev. F

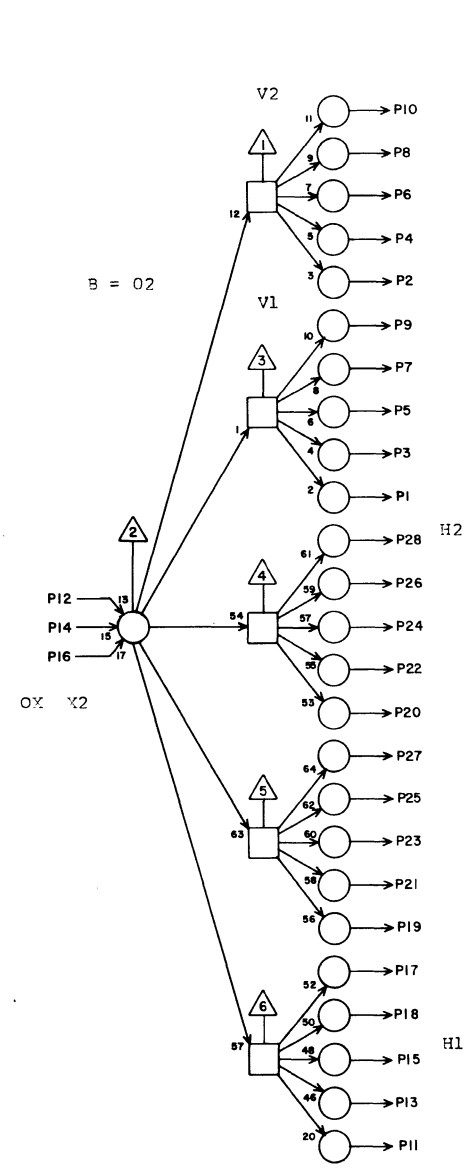


CA 12 G 13

1	H31	1	19
2	H40	14	27
3	H33	1	21
4	H41	14	29
5	H36	16	23
6	H41	16	29
7	H37	17	25
8	H42	1	29
9	H39	14	27
10	I14	14	13
11	H35	16	23
12	H10	2	7
13	I42	15	29
14	H13	2	11
15	I42	1	29
16	Good		2
17	I16	14	11
18	I42	2	29
19	I27	1	17
20	I16	1	11
21	I28	1	17
22	I16	17	13
23	I30	14	19
24	I16	16	11
25	J32	2	23
26	I17	1	11
27	H25	1	15
28	I24	14	17

JACK PIN LG

63016700 Rev. F



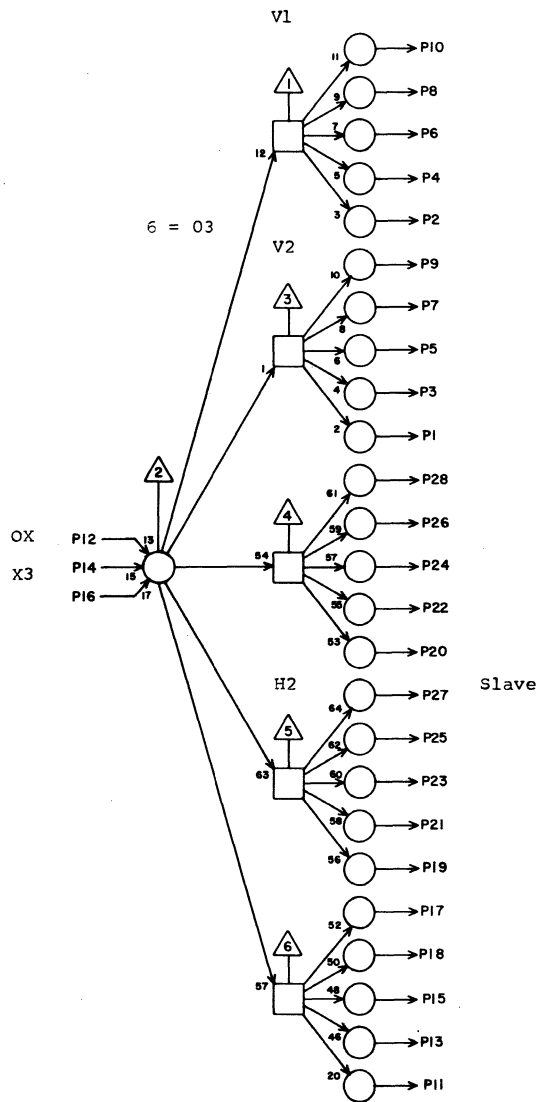
CA 12 G 14

1	H30	16	19
2	I38	1	25
3	H32	1	19
4	I38	2	25
5	H32	16	19
6	H35	1	23
7	H33	3	21
8	H35	18	23
9	H35	4	23
10	H36	18	23
11	H37	19	25
12	H10	4	7
13	I16	19	13
14	H13	16	7
15	I41	15	27
16	GND	X	2
17	I19	14	13
18	J27	10	19
19	I25	1	15
20	I19	16	13
21	I27	3	17
22	I20	16	13
23	I28	3	17
24	I22	16	15
25	I29	1	17
26	I24	12	15
27			
28	I25	1	15

JACK PIN LG

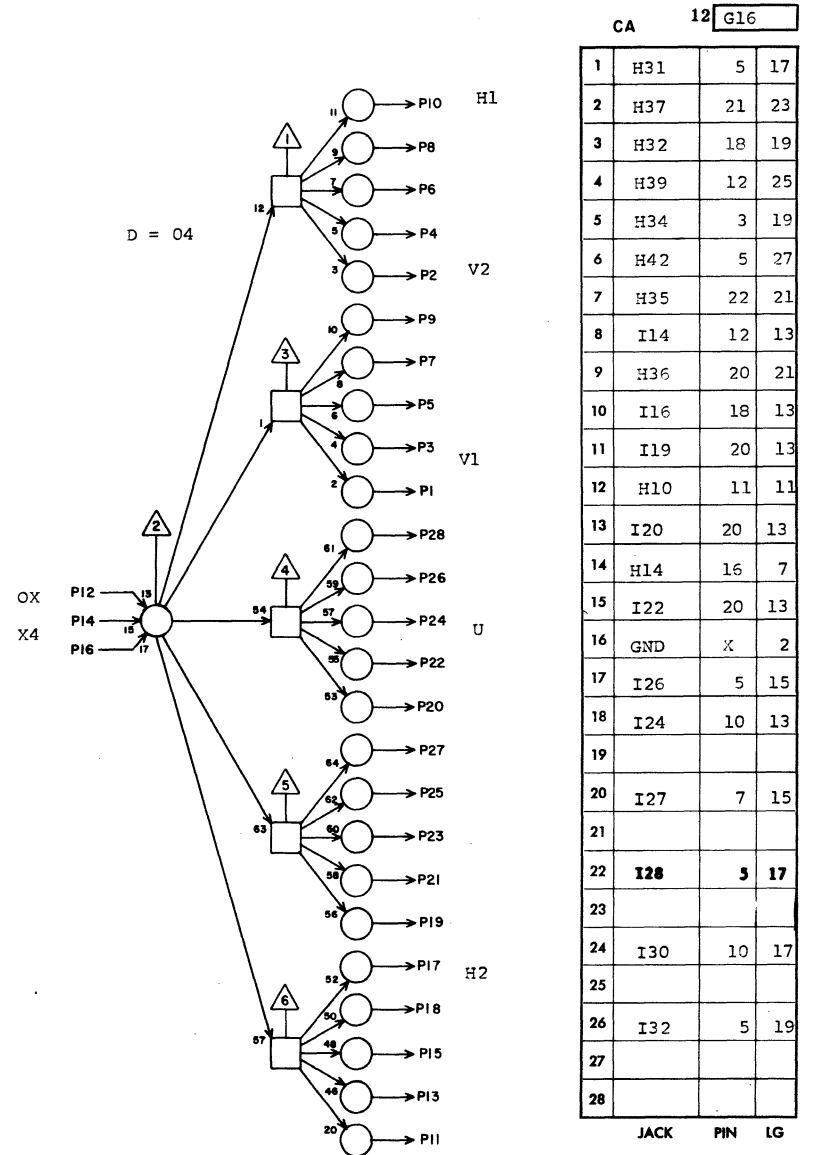
12G14

63016700 Rev. F



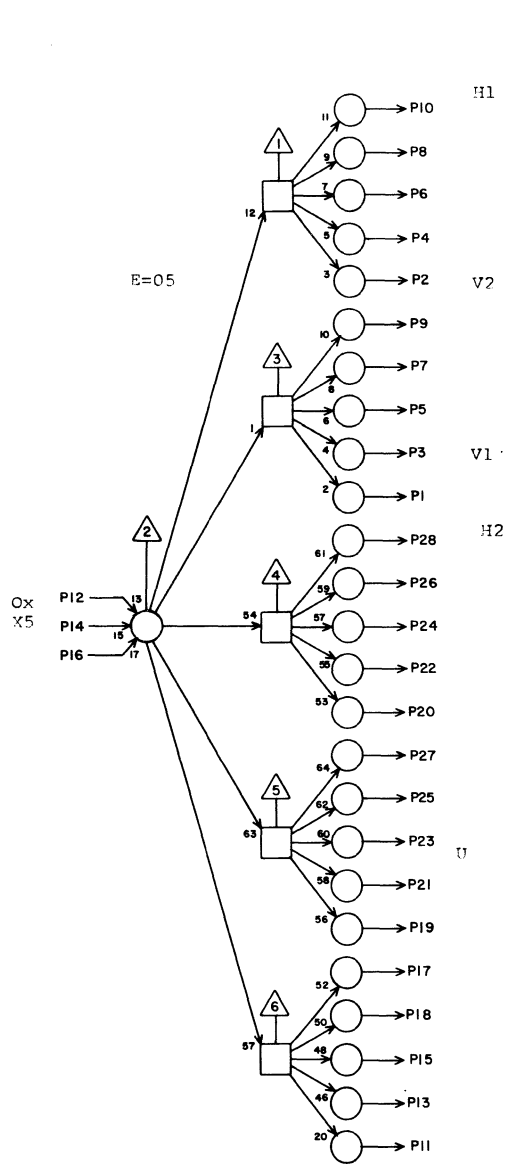
CA 12 G15			
JACK	PIN	LG	
1	H30	1	17
2	H34	1	21
3	H31	3	19
4	H34	17	21
5	H32	4	19
6	I33	11	23
7	H32	3	19
8	H35	3	23
9	H33	16	19
10	H40	12	25
11	H41	18	27
12	H10	9	9
13	H42	3	27
14	H14	2	7
15	I14	17	13
16	GND	X	2
17	I16	21	13
18	I42	4	27
19	I19	18	13
20	I17	16	11
21	I20	18	13
22	J26	13	19
23	I22	18	13
24	J26	16	19
25	I25	3	15
26	I18	17	11
27	H16	25	7
28	I19	12	11

63016700 Rev. F



CA 12 G16			
JACK	PIN	LG	
1	H31	5	17
2	H37	21	23
3	H32	18	19
4	H39	12	25
5	H34	3	19
6	H42	5	27
7	H35	22	21
8	I14	12	13
9	H36	20	21
10	I16	18	13
11	I19	20	13
12	H10	11	11
13	I20	20	13
14	H14	16	7
15	I22	20	13
16	GND	X	2
17	I26	5	15
18	I24	10	13
19			
20	I27	7	15
21			
22	I28	5	17
23			
24	I30	10	17
25			
26	I32	5	19
27			
28			

63016700 Rev. F3

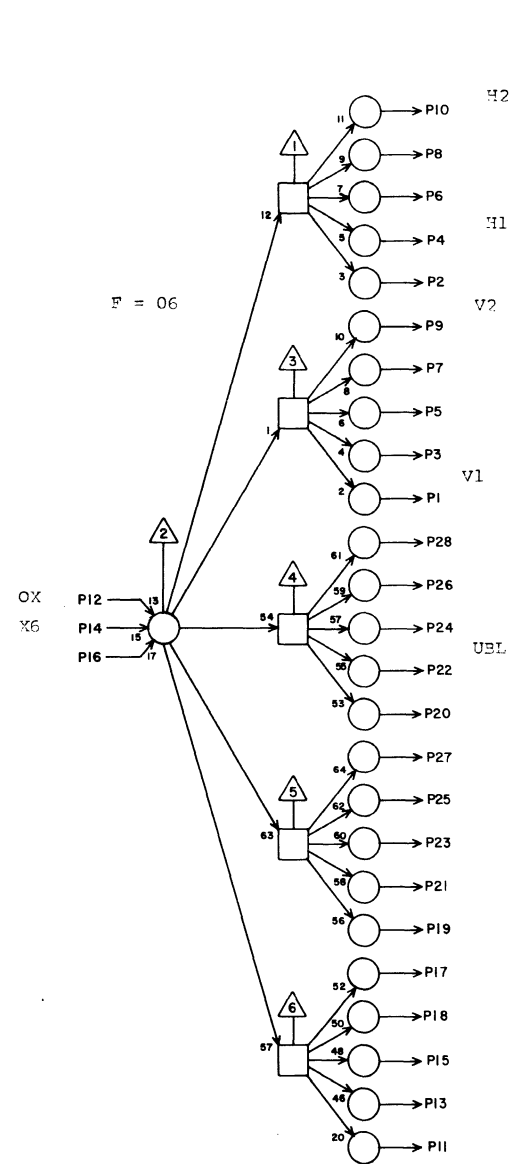


CA 12 G17

1	H30	18	17
2	H36	22	21
3			
4	H37	23	23
5	H29	14	15
6	H42	7	25
7	H35	5	19
8	I15	17	13
9	H35	24	19
10	I16	23	13
11	J26	14	17
12	H10	13	11
13	I19	10	11
14	H16	5	7
15	I19	22	11
16	GND	X	2
17	I22	27	13
18	I20	22	13
19	J28	12	17
20	I24	8	13
21	J28	17	17
22	I26	7	15
23	J25	24	17
24	I27	9	17
25	I31	17	19
26	I28	7	17
27	H25	6	11
28	J31	12	19

JACK PIN LG

63016700 Rev. F



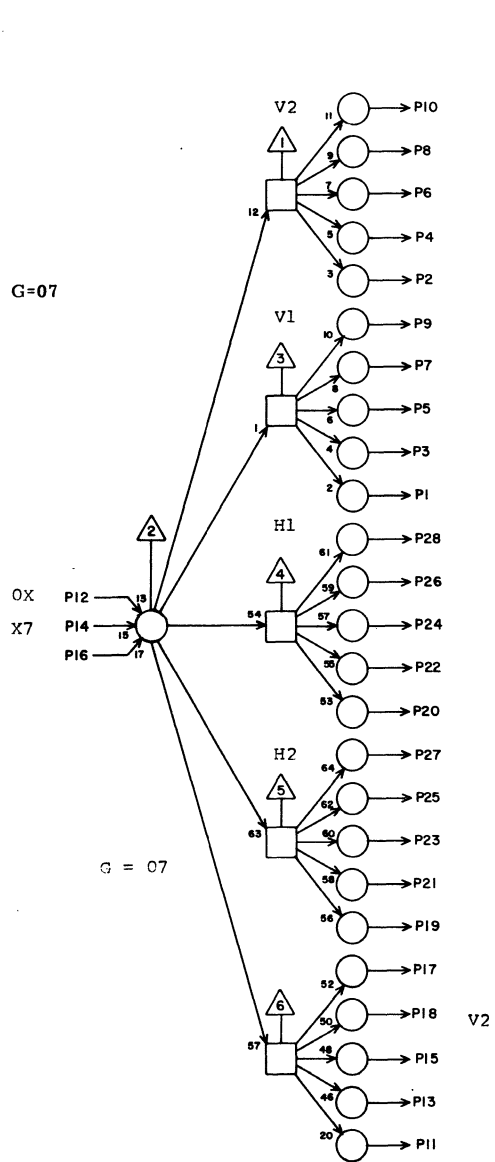
CA 12 G16

1	H30	20	15
2	H37	25	21
3	H33	20	17
4	H42	9	25
5	H35	7	19
6	I16	25	13
7	H25	20	19
8	I19	9	11
9	H36	24	19
10	I16	24	13
11	I20	24	13
12	H10	8	11
13	I22	24	13
14	H15	2	7
15	I24	6	13
16	GND	X	2
17	I27	11	15
18	I29	4	19
19			
20	J25	26	17
21			
22	I31	19	17
23			
24	J33	4	19
25			
26	J32	28	23
27			
28			

JACK PIN LG

63016700 Rev. F

12G18

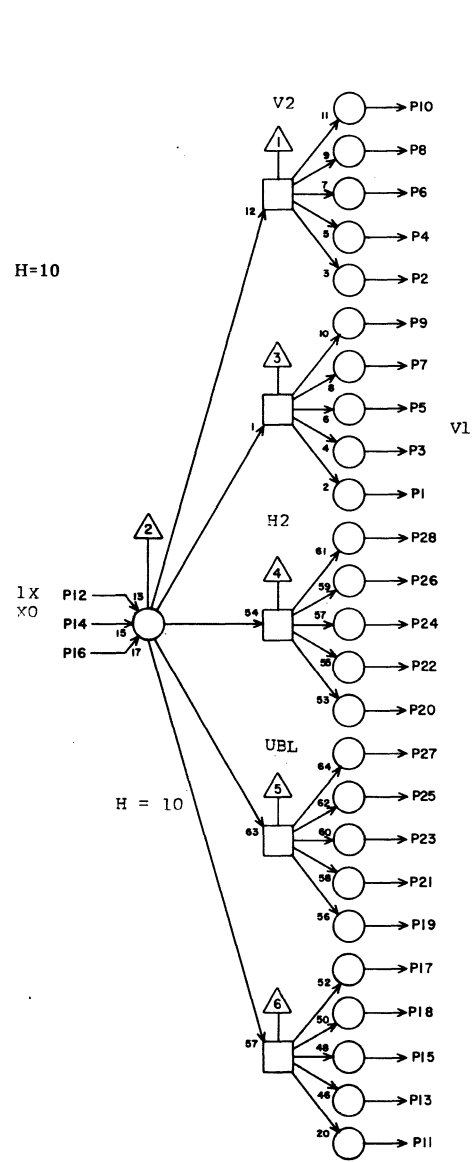


CA 12 G19

1	I34	5	19
2	H34	19	19
3	H31	7	15
4	I36	15	21
5	H32	5	15
6	H34	16	17
7	H32	20	15
8	H39	10	23
9	H33	5	17
10	I14	10	13
11	H40	10	23
12	H10	10	13
13	H41	20	23
14	H15	16	9
15	I14	19	13
16	GND	X	2
17	H35	9	21
18	I15	1	11
19	I19	6	11
20	I15	16	13
21	I20	26	13
22	I17	3	11
23	I22	26	13
24	I17	19	11
25	I24	4	11
26	J26	11	15
27	I25	5	11
28	I18	19	11

JACK PIN LG

63016700 Rev. F

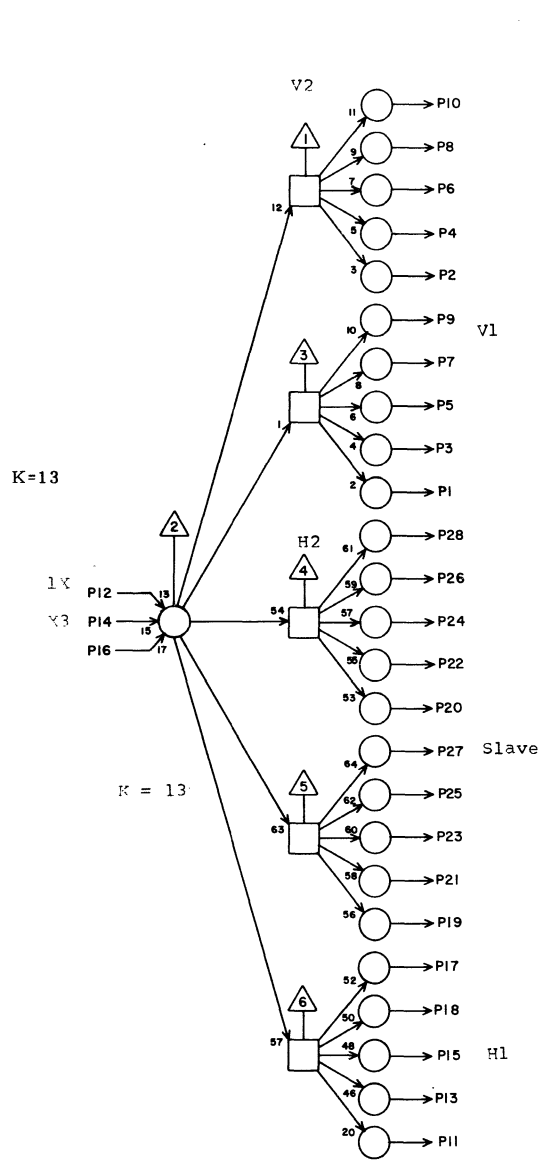


CA 12 G20

1	H31	9	13
2	H36	26	19
3	H32	7	15
4	H37	27	19
5	H34	18	17
6	H39	8	21
7	H35	8	17
8	H40	8	21
9	H36	14	19
10	I15	3	13
11	H29	12	13
12	H10	16	13
13	I40	21	23
14	H16	6	9
15	I40	22	23
16	GND	X	2
17	I24	1	11
18	I42	10	25
19	I31	18	17
20	I25	7	13
21	I32	7	17
22	I26	11	13
23	J34	4	19
24	I30	4	15
25			
26	J31	22	19
27			
28	J30	15	17

JACK PIN LG

63016700 Rev. F

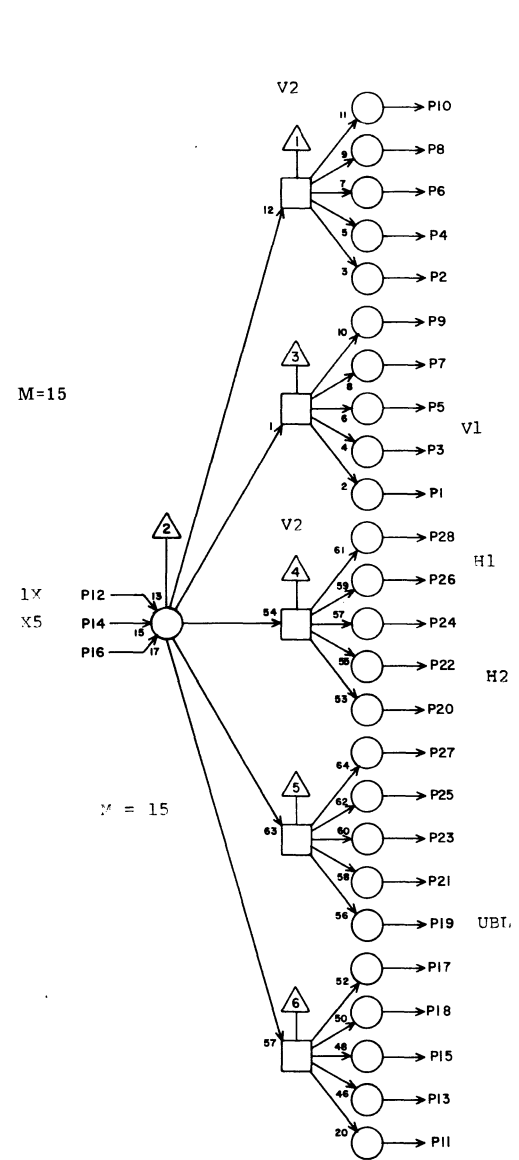


CA 12G21

1	H31	11	13
2	H35	10	17
3	H33	22	15
4	I38	3	21
5	H34	5	15
6	H36	10	17
7	H34	21	17
8	H37	12	19
9	H34	20	17
10	H37	20	19
11	H39	1	19
12	H10	22	15
13	I16	20	13
14	H14	4	11
15	J26	12	17
16	GND	X	2
17	I22	14	11
18	I19	26	13
19	I28	11	13
20	I23	14	11
21	I29	5	13
22	I24	3	11
23	I29	18	13
24	I25	9	11
25	J30	9	17
26	I26	17	13
27	H25	3	7
28	I27	19	13

JACK PIN LG

63016700 Rev. F



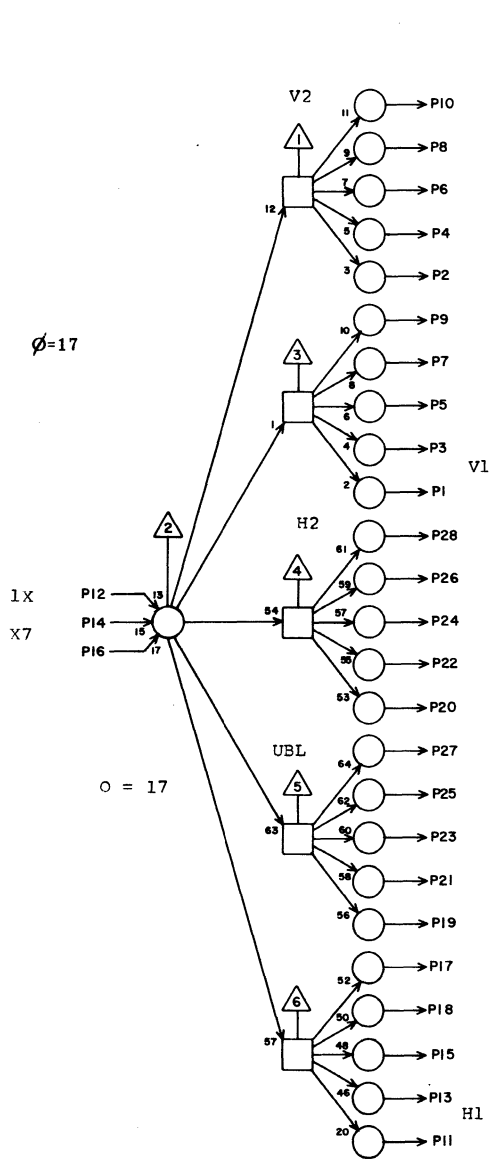
CA 12G22

1	H31	17	13
2	H36	6	17
3	H32	9	15
4	H37	8	17
5	H32	22	15
6	H37	24	17
7	H33	24	15
8	H39	5	19
9	H34	7	15
10	H40	3	19
11	H41	22	21
12	H10	19	15
13	H42	11	21
14	H16	7	9
15	I14	21	15
16	GND	X	2
17	I15	5	13
18	I15	14	13
19	I30	3	13
20	I15	19	13
21	I32	21	15
22	I16	3	11
23			
24	I17	5	11
25			
26	I20	14	11
27			
28	I24	7	11

JACK PIN LG

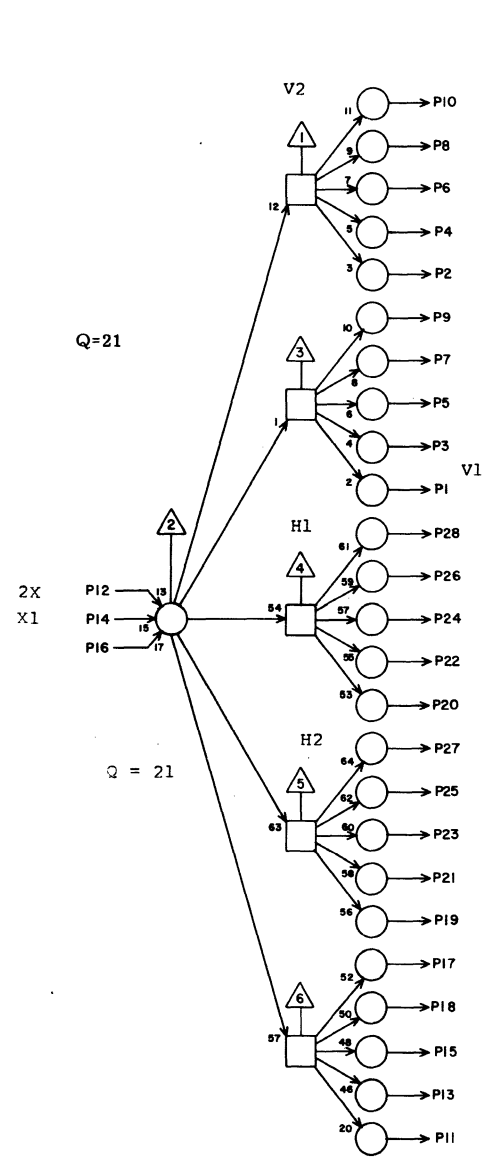
63016700 Rev. F

12G22



CA		12G23	
JACK	PIN	LG	
1	H31	21	13
2	H39	9	19
3	H33	9	13
4	H40	7	19
5	I33	13	19
6	H41	6	19
7	H37	4	17
8	H41	26	21
9	H38	14	17
10	H42	19	21
11	I14	6	15
12	H10	24	17
13	I16	5	13
14	H15	20	13
15	I18	23	13
16	GND	X	2
17	I20	10	11
18	I19	1	11
19	J33	12	17
20	I22	10	11
21			
22	I23	10	11
23			
24	I24	9	11
25			
26	I25	17	11
27			
28	I30	19	13

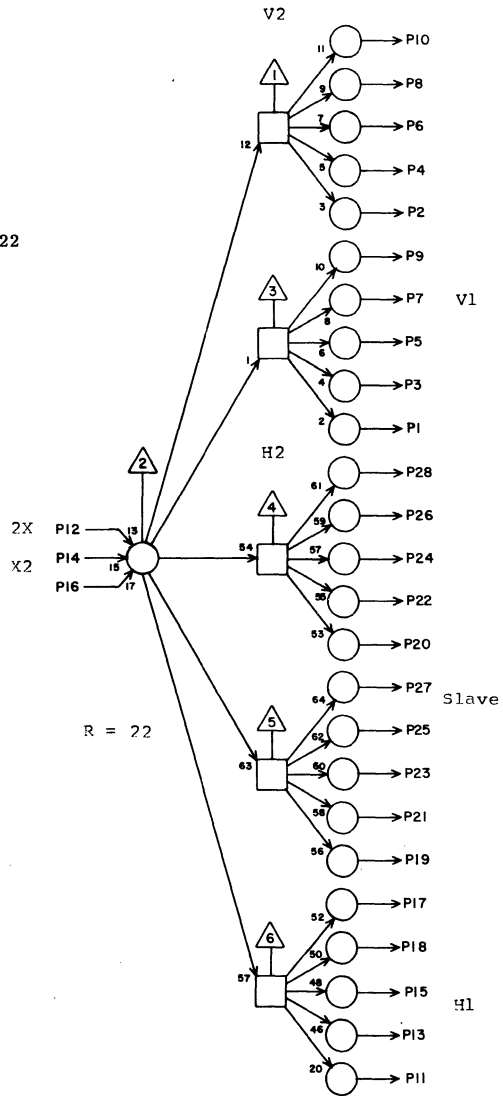
63016700 Rev. F



CA		12G24	
JACK	PIN	LG	
1	H32	11	13
2	H40	9	19
3	H34	9	13
4	H41	4	19
5	I36	17	
6	H42	14	19
7	H38	10	17
8	H42	21	21
9	H39	17	17
10	I14	4	15
11	I14	25	15
12	H11	4	15
13	I15	10	15
14	H13	6	15
15	I15	7	15
16	GND	X	2
17	I15	18	15
18	H29	10	11
19	I20	6	11
20	I16	24	15
21	I22	6	11
22	I17	22	13
23	I23	6	9
24	I18	10	13
25	I24	17	11
26	I18	25	13
27	I25	21	11
28	I19	3	11

63016700 Rev. F

R=22

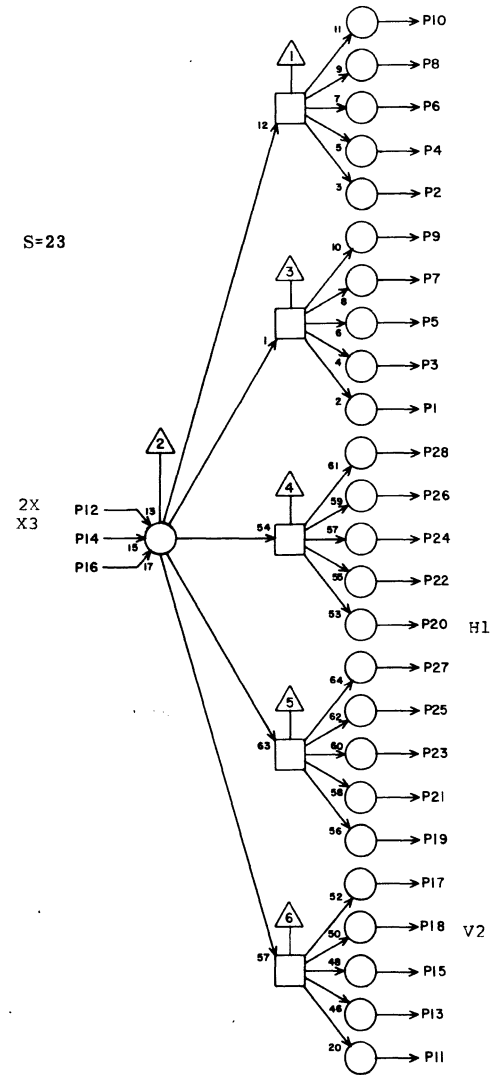


CA 12 G25

JACK	PIN	LG
1	H31	25 13
2	H35	12 15
3	H32	26 13
4	I38	5 17
5	H33	17 13
6	H36	3 15
7	H34	4 13
8	H37	3 15
9	H34	22 13
10	H38	8 15
11	H39	19 17
12	H11	9 17
13	I16	26 15
14	H13	22 15
15	J26	10 15
16	GnD	X 2
17	I22	4 11
18	I20	4 11
19	I28	17 13
20	I23	4 11
21	I29	9 13
22	I24	19 13
23	I29	20 13
24	I25	23 13
25	J30	7 15
26	I26	23 13
27	H26	1 5
28	I27	25 13

63016700 Rev. F

S=23

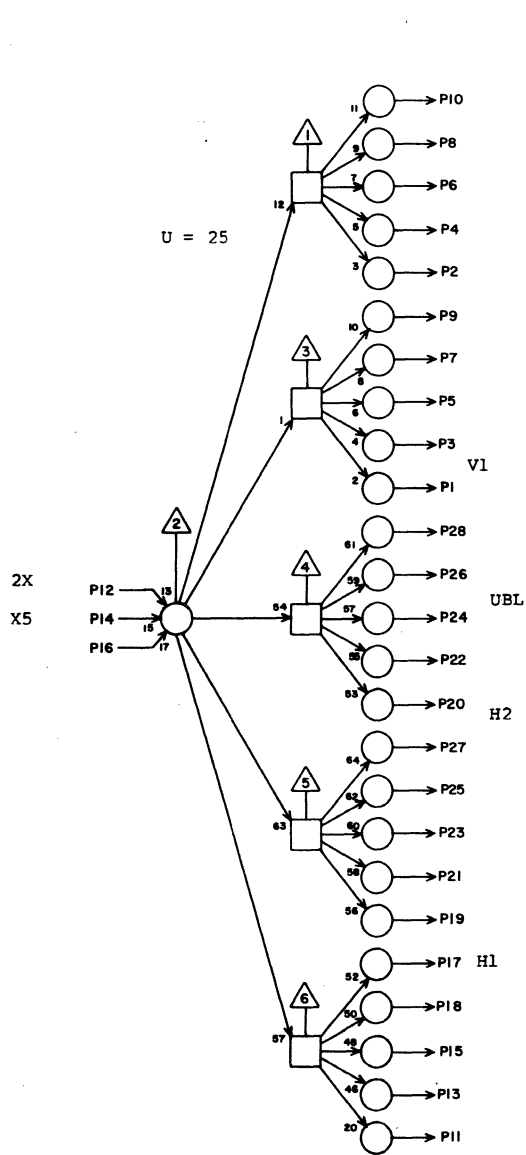


CA 12 G26

JACK	PIN	LG
1	H30	4 9
2	H32	6 11
3	H30	5 9
4	H32	17 13
5	H30	19 9
6	H33	19 13
7	H30	26 11
8	H34	6 13
9	H31	27 11
10	H34	11 13
11	H34	23 13
12	H11	11 17
13	I36	19 15
14	H14	6 15
15	H36	5 13
16	GND	X 2
17	I 5	8 17
18	H38	6 15
19	I20	1 13
20	I16	12 15
21	I22	1 11
22	I17	7 13
23	I23	1 11
24	I18	8 13
25	I24	21 13
26	I18	27 15
27	I25	25 13
28	I19	5 13

63016700 Rev. F

12G26

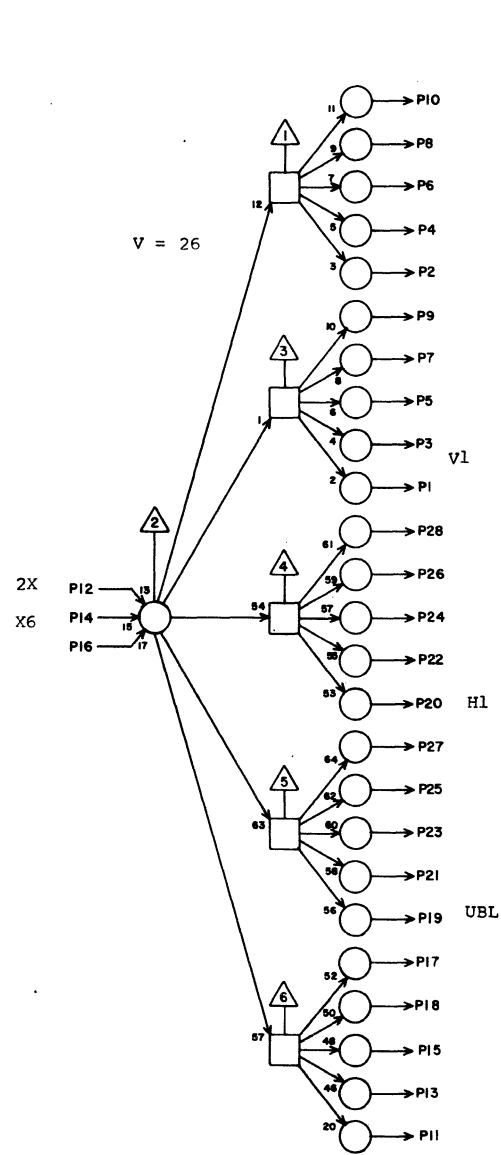


CA 12 G27

1	H31	4	9
2	H38	1	15
3	H33	4	11
4	H39	23	17
5	H35	21	13
6	H40	17	17
7	H36	7	13
8	H41	1	17
9	H37	5	13
10	H42	12	17
11	I14	1	17
12	H11	10	19
13	I14	27	17
14	H16	9	13
15	I15	6	17
16	GND	X	2
17	I17	11	15
18	I16	7	15
19			
20	I23	5	11
21			
22	I24	23	13
23			
24	I31	5	11
25			
26	I32	4	11
27			
28			

JACK PIN LG

63016700 Rev. F

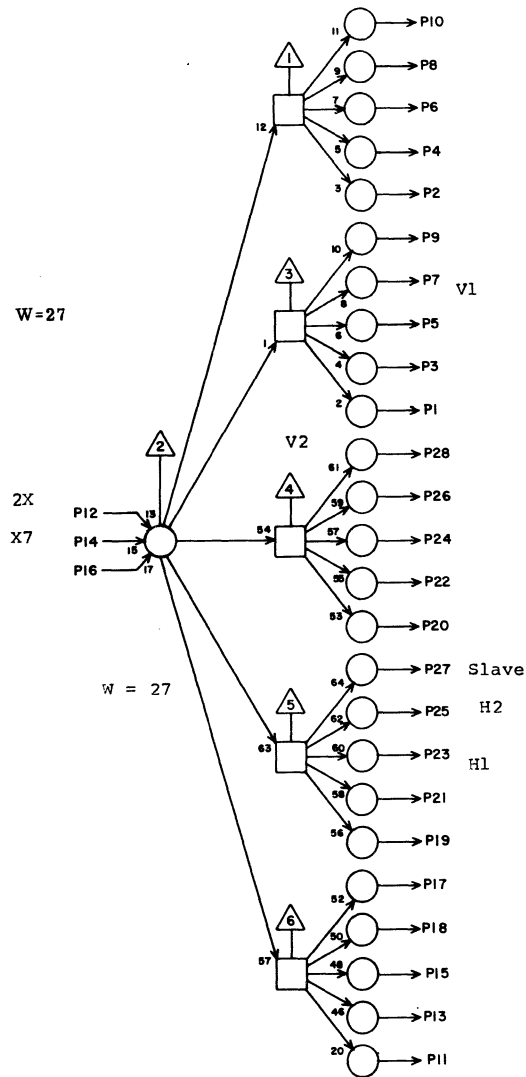


CA 12 G28

1	H31	6	9
2	H38	3	13
3	H33	6	9
4	H39	25	15
5	H35	23	13
6	H40	19	15
7	H36	9	13
8	H41	3	17
9	H37	7	13
10	H42	10	17
11	H42	23	17
12	H11	12	19
13	I14	3	17
14	H15	6	17
15	I14	16	19
16	GND	X	2
17	I16	10	17
18	I15	20	17
19	I31	24	13
20	I16	9	17
21			
22	I17	12	15
23			
24	I41	18	17
25			
26	I17	17	15
27			
28	I31	7	13

JACK PIN LG

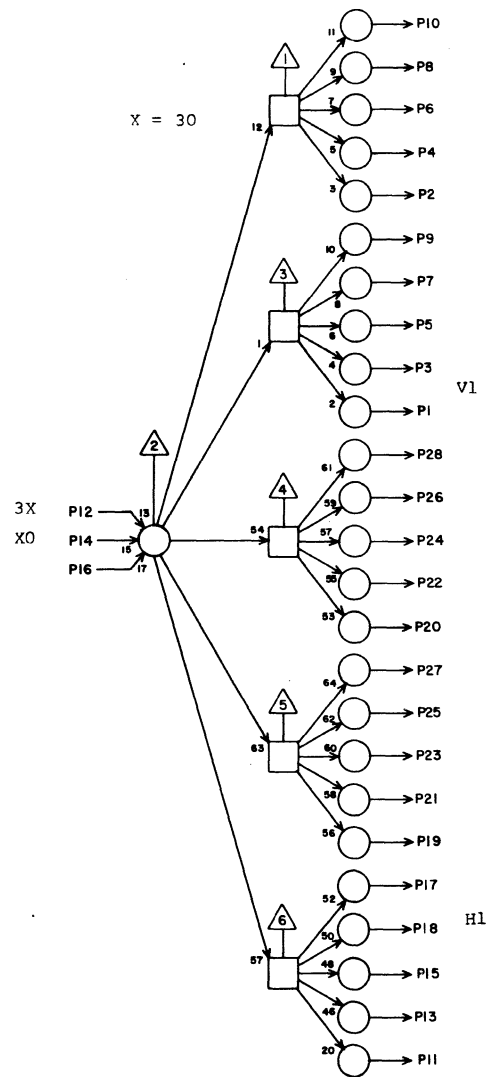
63016700 Rev. F



CA **12G29**

1	H31	8	9
2	H34	24	13
3	H33	8	9
4	H35	25	13
5	H34	8	11
6	H36	11	13
7	I36	18	15
8	H37	9	13
9	I36	21	15
10	H38	5	13
11	H39	27	15
12	H11	14	19
13	H40	21	15
14	H15	22	17
15	H41	5	15
16	GND	X	2
17	H42	25	17
18	H42	8	17
19	I40	24	17
20	I14	18	19
21	I41	20	17
22	I15	4	17
23	J26	8	15
24	I15	23	17
25	I24	25	13
26	I40	17	17
27	H26	28	9
28	I40	23	17
	JACK	PIN	LG

63016700 Rev. F



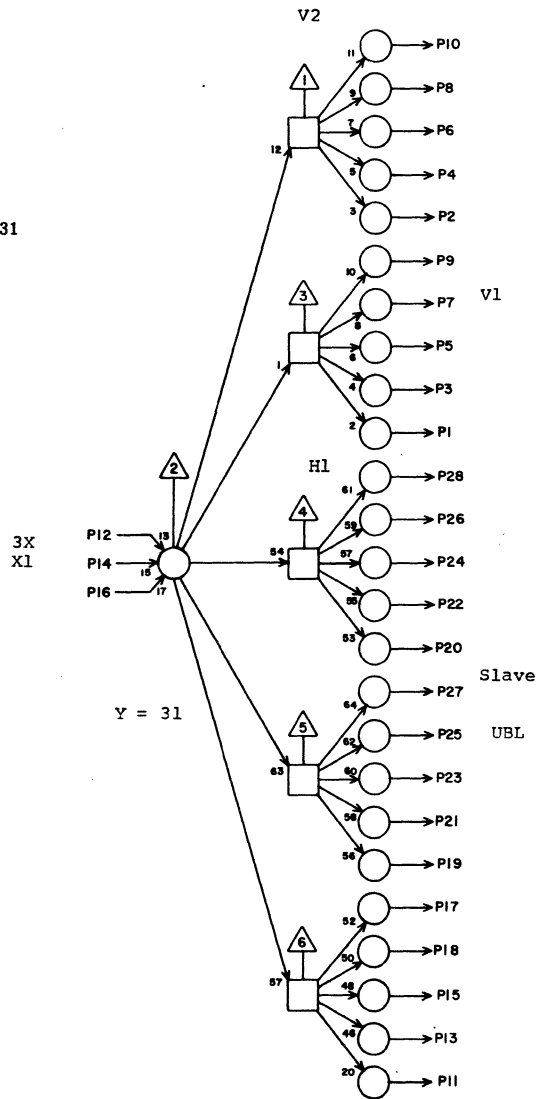
CA **12G30**

1	H31	16	9
2	H39	16	13
3	H33	21	9
4	H40	23	15
5	H36	17	11
6	H41	7	15
7	H37	11	13
8	H42	6	15
9	H38	7	13
10	H42	27	17
11	I14	5	19
12	H11	16	21
13	I14	20	21
14	H16	10	17
15	I41	12	17
16	GND	X	2
17	J26	20	17
18	I15	22	19
19	I27	20	13
20	I18	6	17
21	I30	11	11
22	I18	16	17
23	J31	26	15
24	I19	7	15
25	I31	25	13
26	I25	16	13
27	J32	23	15
28	I26	16	13
	JACK	PIN	LG

63016700 Rev. F

12G30

Y=31

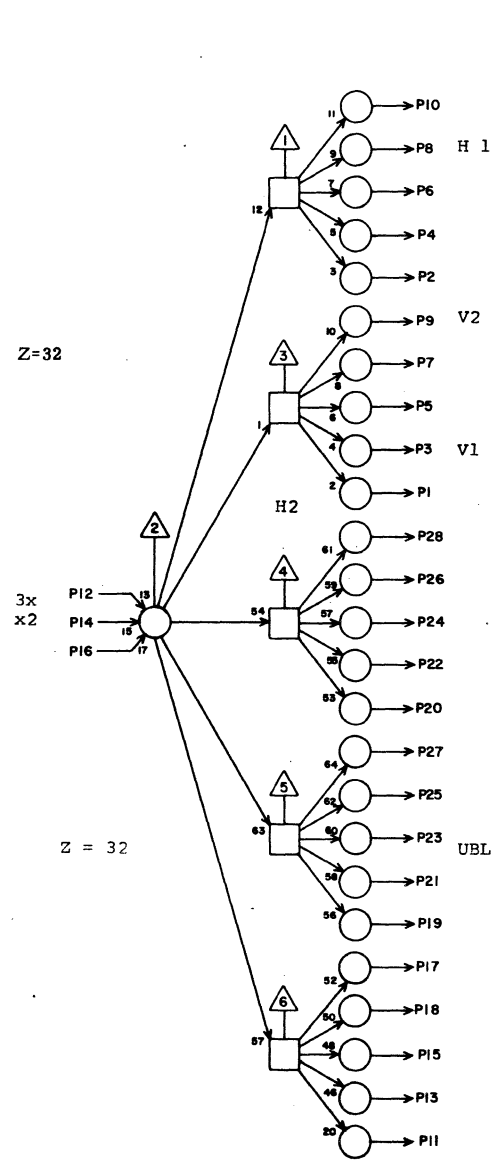


CA 12 G31

1	H31	18	9
2	H34	26	11
3	H33	10	9
4	H38	9	13
5	H33	23	9
6	H41	9	13
7	I36	20	13
8	H42	16	15
9	H34	25	9
10	I14	7	21
11	I41	10	17
12	H11	18	23
13	I15	9	19
14	H13	11	19
15	I41	9	17
16	GND	X	2
17	I17	10	19
18	I16	27	19
19	I25	18	13
20	I17	19	19
21	I28	23	13
22	J27	1	15
23	I31	8	11
24	I17	26	19
25	J32	1	13
26	I22	3	13
27	H25	26	11
28	I24	27	15
	JACK	PIN	LG

63016700 Rev. F

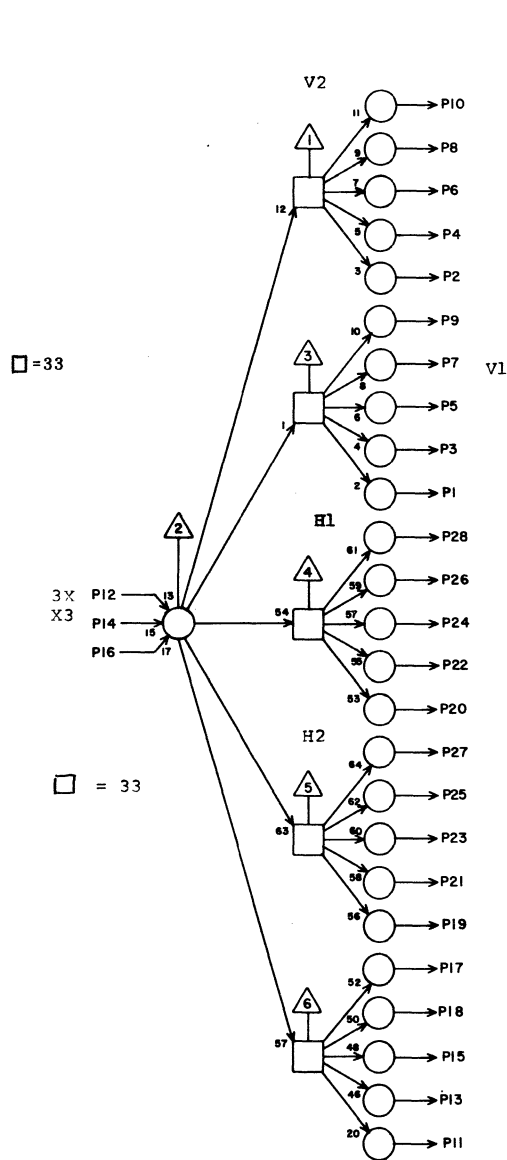
Z=32



CA 12 G32

1	H31	10	9
2	H42	18	15
3	H35	27	11
4	I14	9	21
5	H36	19	11
6	I14	22	21
7	I33	3	13
8	J25	4	17
9	H38	11	11
10	I41	17	15
11	I19	9	17
12	H11	20	23
13	I20	3	17
14	H13	17	21
15	I22	5	15
16	GND	X	2
17	I24	16	15
18	I23	7	15
19	I29	22	13
20	I25	20	13
21	I31	11	11
22	I26	18	13
23	H29	1	9
24	I27	22	13
25			
26	I28	25	13
27			
28	I29	11	11
	JACK	PIN	LG

63016700 Rev. F

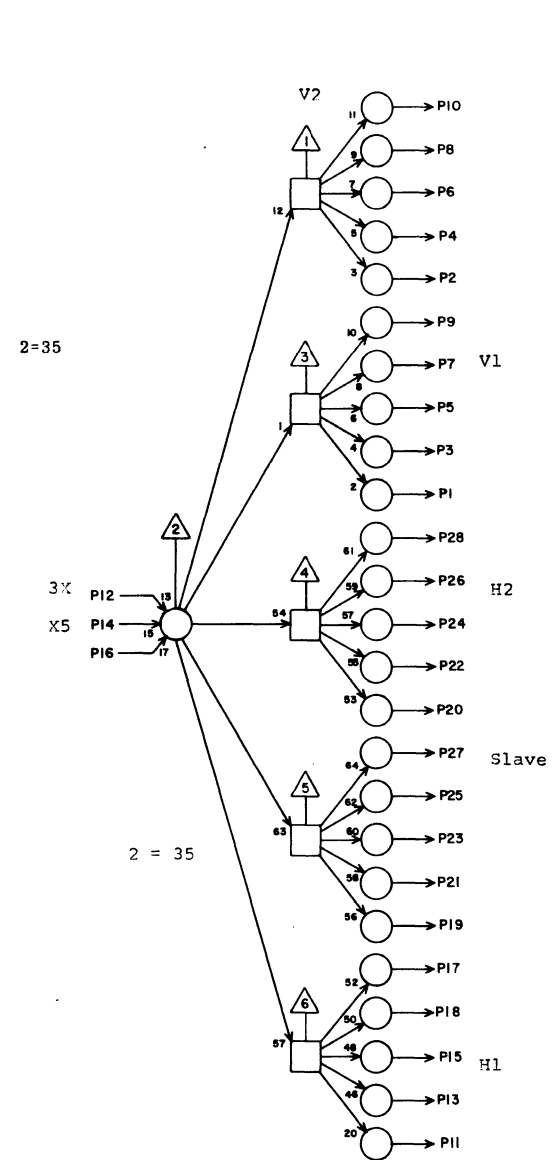


CA 12 G33

JACK	PIN	LG
1	H30	6 9
2	H34	27 11
3	H31	20 9
4	I37	12 13
5	H32	8 7
6	I37	24 13
7	H33	12 7
8	H38	17 13
9	I36	22 13
10	H40	25 13
11	H42	20 13
12	H11	22 23
13	I14	11 21
14	H14	11 21
15	I41	8 13
16	GND	X 2
17	J25	6 17
18	I15	24 21
19	I24	18 15
20	I17	8 19
21	I27	24 15
22	I17	21 19
23	I28	27 15
24	J27	3 15
25	I30	25 13
26	I20	5 17
27	I32	27 13
28	I22	7 15

JACK PIN LG

63016700 Rev. F

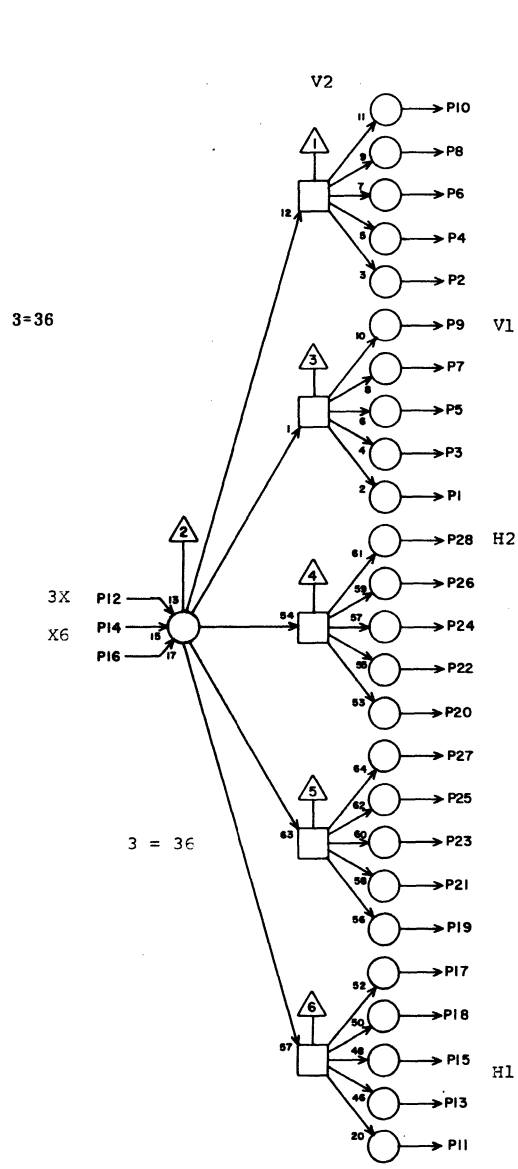


CA 12 G34

JACK	PIN	LG
1	I34	14 13
2	H33	25 9
3	H31	22 11
4	H34	10 7
5	H32	10 9
6	I33	7 15
7	H32	21 9
8	I37	9 13
9	I35	19 13
10	H40	16 11
11	I14	24 23
12	H11	19 23
13	J25	8 17
14	H16	11 19
15	I41	19 15
16	GND	X 2
17	I20	7 19
18	I19	11 19
19	I27	26 15
20	I22	9 17
21	I28	16 15
22	I23	11 15
23	I29	17 13
24	I24	20 15
25	I29	24 13
26	I25	22 15
27	H25	25 15
28	I26	20 15

JACK PIN LG

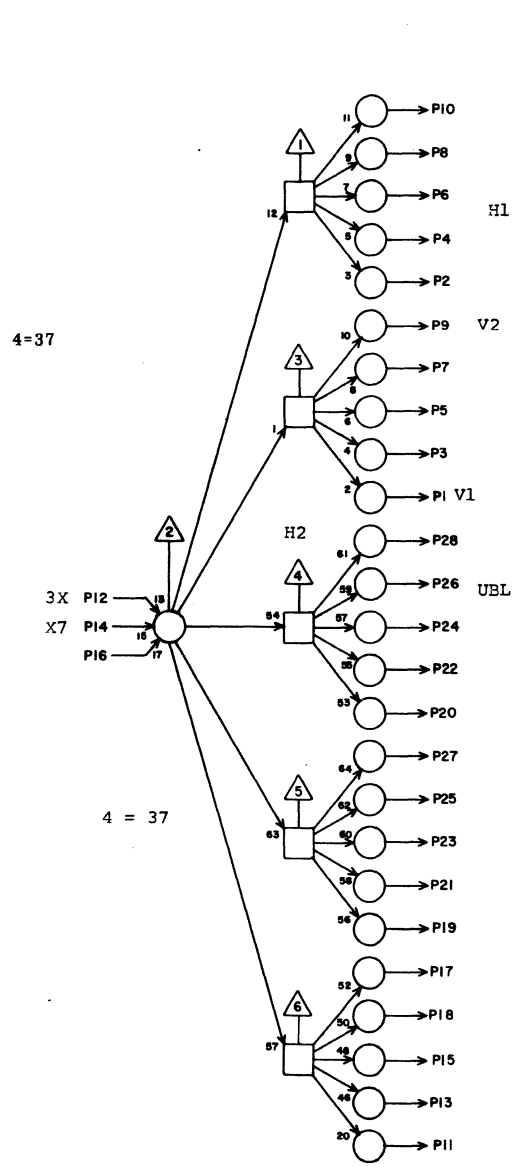
63016700 Rev. F



CA 14 G35

JACK	PIN	LG
1	H30	8 11
2	H32	23 9
3	H30	7 9
4	H34	12 9
5	H30	23 11
6	I36	24 15
7	H31	12 9
8	H36	23 9
9	H31	24 11
10	H38	21 9
11	H40	18 9
12	H11	21 25
13	I16	8 23
14	H15	9 21
15	I17	6 21
16	GND	X 2
17	I18	1 21
18	I41	21 15
19	I24	22 17
20	I18	18 21
21	I25	24 17
22	I19	17 19
23	I26	22 15
24	I20	9 19
25	I28	14 15
26	I22	11 17
27	I28	18 15
28	I23	17 17

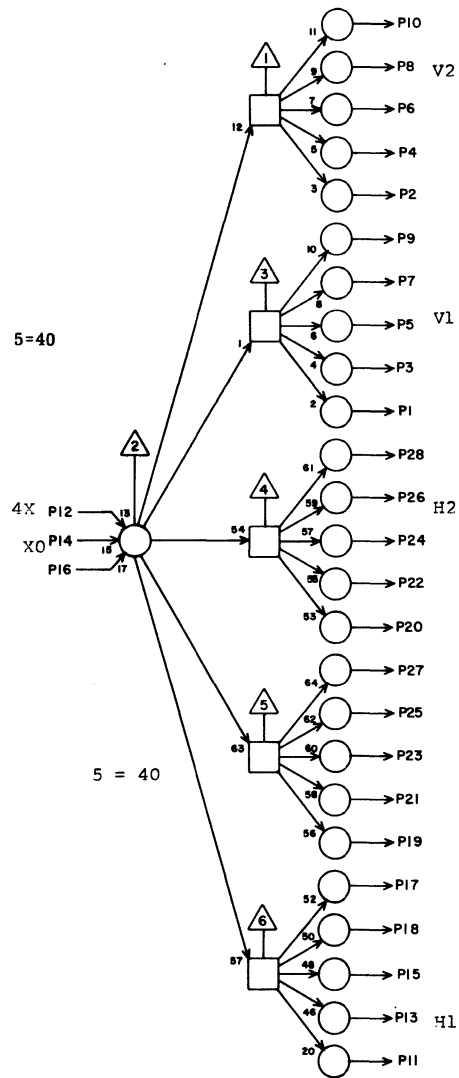
63016700 Rev. F



CA 12 G36

JACK	PIN	LG
1	H32	25 11
2	H42	4 15
3	H38	23 9
4	H42	22 11
5	H39	20 9
6	I42	5 11
7	H40	20 9
8	I41	22 13
9	H41	17 11
10	J33	19 17
11	J26	9 19
12	H11	26 25
13	I18	3 21
14	H15	17 23
15	I23	19 17
16	GND	X 2
17	I25	26 17
18	I24	24 17
19		
20	I26	24 15
21		
22	I28	12 15
23		
24	I28	20 15
25		
26	I31	4 11
27		
28	J32	24 15

63016700 Rev. F

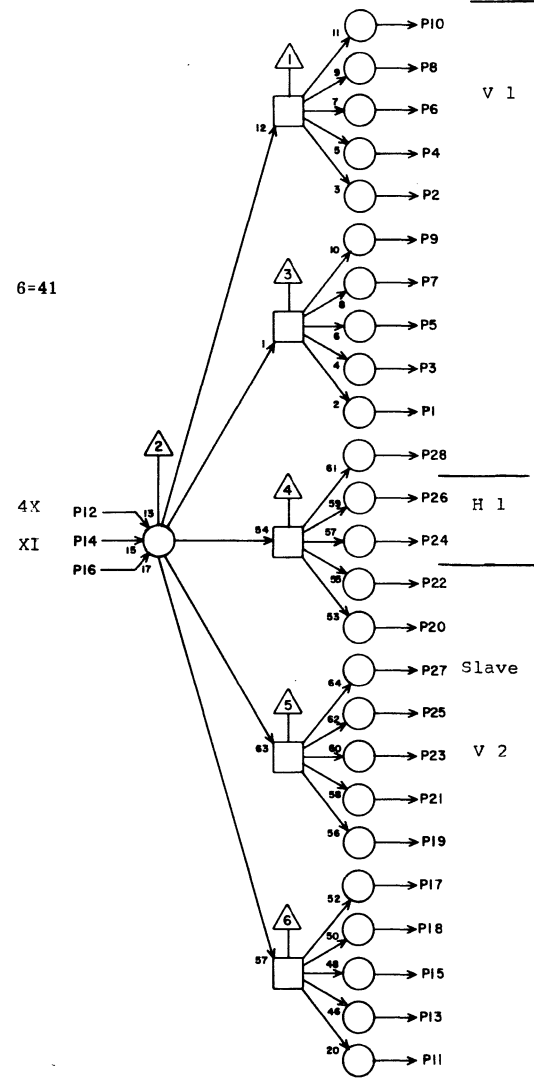


CA 12G37

1	H30	10	13
2	H32	27	11
3	H30	9	11
4	H36	25	9
5	H30	25	13
6	H38	25	9
7	H31	14	11
8	H40	22	9
9	H31	26	11
10	I14	26	25
11	I16	6	23
12	H12	2	25
13	I17	23	23
14	H16	12	23
15	I18	5	23
16	GND	X	2
17	I19	19	23
18	I18	20	23
19	I28	22	15
20	I20	11	21
21	I29	21	15
22	I22	17	19
23	J30	12	17
24	I23	21	19
25	I30	16	13
26	I24	26	17
27	J33	22	17
28	I26	26	17

JACK PIN LG

63016700 Rev. F



CA 12G38

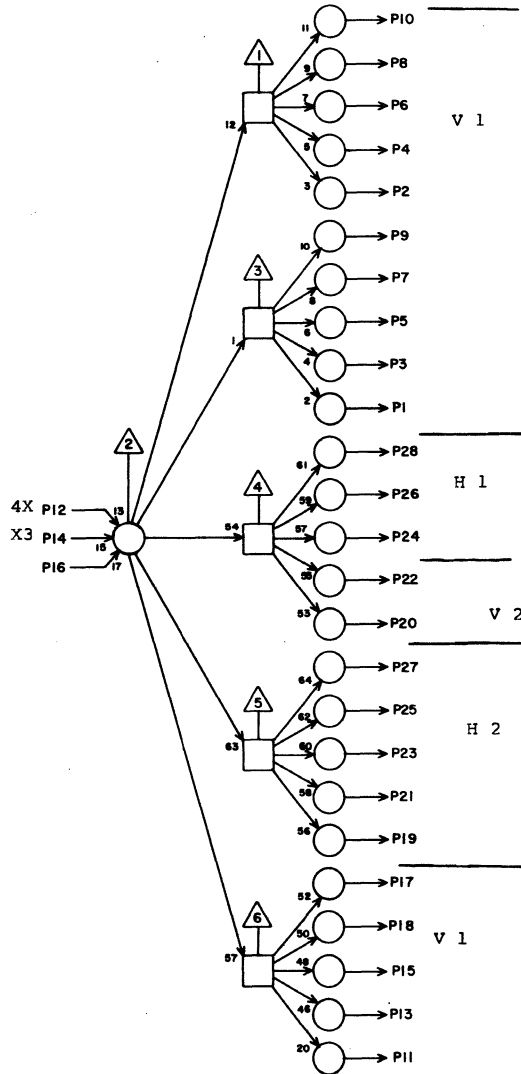
1	H30	11	13
2	H33	27	11
3	I35	10	13
4	H34	14	9
5	I35	7	13
6	I36	23	13
7	H32	12	11
8	I37	10	11
9	I35	21	13
10	H35	14	9
11	I37	7	11
12	H12	4	27
13	H39	22	9
14	H13	13	25
15	H41	19	9
16	Good		2
17	I39	19	13
18	H42	24	9
19	I19	21	23
20	I41	6	11
21	I20	17	21
22	I15	25	25
23	I22	19	21
24	I16	11	23
25	I23	23	19
26	I17	25	23
27	G12	5	27
28	I18	22	23

JACK PIN LG

12G38

63016700 Rev. F

8=43

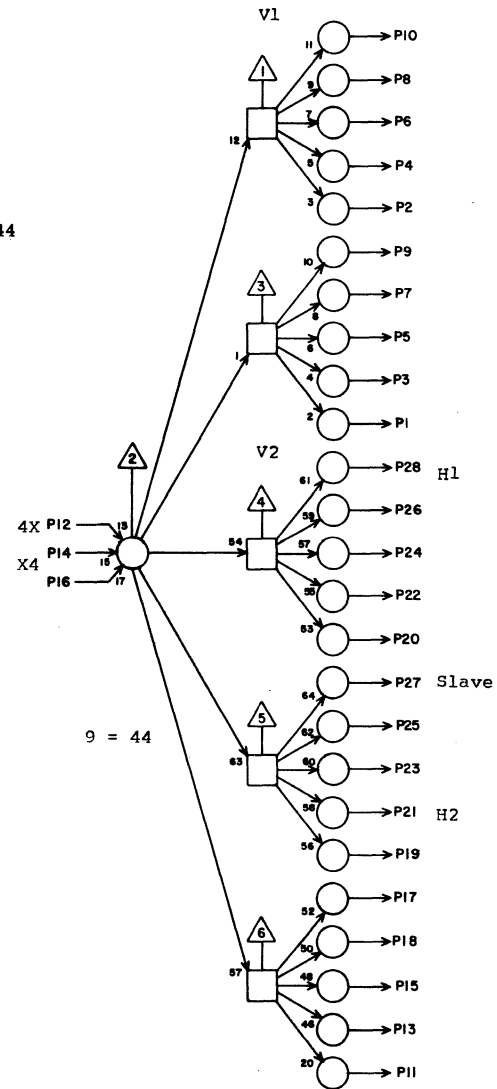


CA 12 G39

JACK	PIN	LG
1	H30	12 13
2	I35	23 13
3	I34	4 13
4	I36	26 13
5	I35	8 13
6	I36	9 13
7	I34	17 13
8	I36	10 13
9	I35	20 13
10	I33	10 13
11	I37	8 11
12	H12	9 27
13	I34	24 13
14	H14	13 25
15	I38	4 11
16	Good	2
17	I38	10 9
18	I38	7 11
19	I18	24 23
20	H42	26 9
21	I19	25 23
22	I40	26 13
23	I20	19 23
24	J25	5 19
25	I22	23 21
26	I17	27 25
27	I23	27 19
28	J27	2 19

63016700 Rev. F

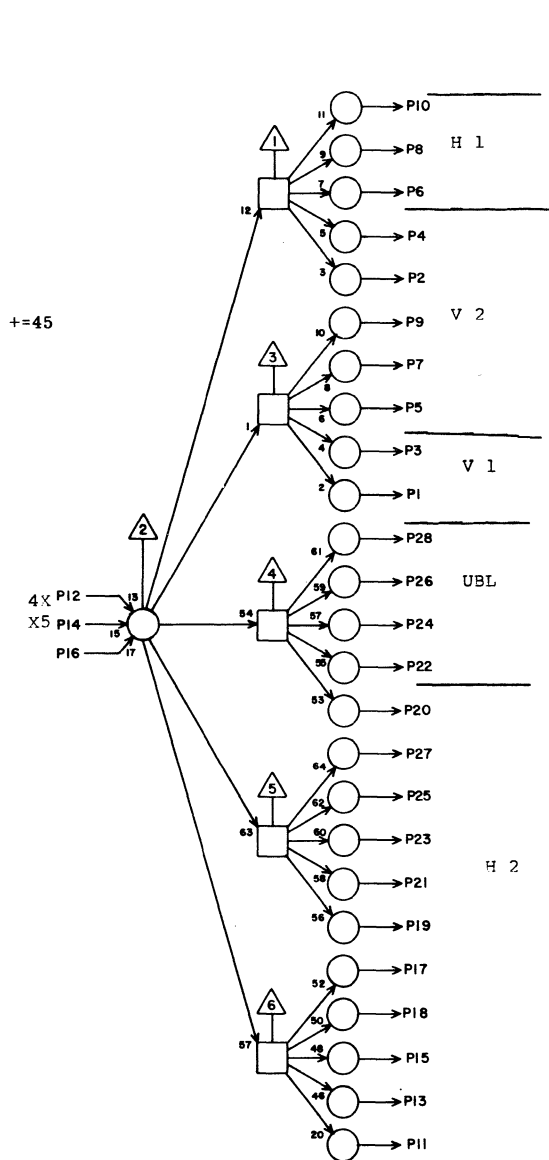
9=44



CA 12 G40

JACK	PIN	LG
1	H30	14 15
2	I35	5 13
3	I34	12 15
4	I36	8 13
5	I34	6 13
6	I36	7 13
7	I35	6 13
8	I33	8 15
9	I35	25 13
10	I36	25 13
11	I37	6 11
12	H12	13 27
13	H36	27 11
14	H14	17 27
15	H38	16 7
16	GND	X 2
17	H41	21 7
18	H40	24 7
19	I18	7 25
20	I39	22 13
21	I18	26 25
22	I39	21 13
23	I19	27 23
24	I15	11 27
25	I20	21 23
26	I42	24 11
27	G12	25 27
28	J25	17 19

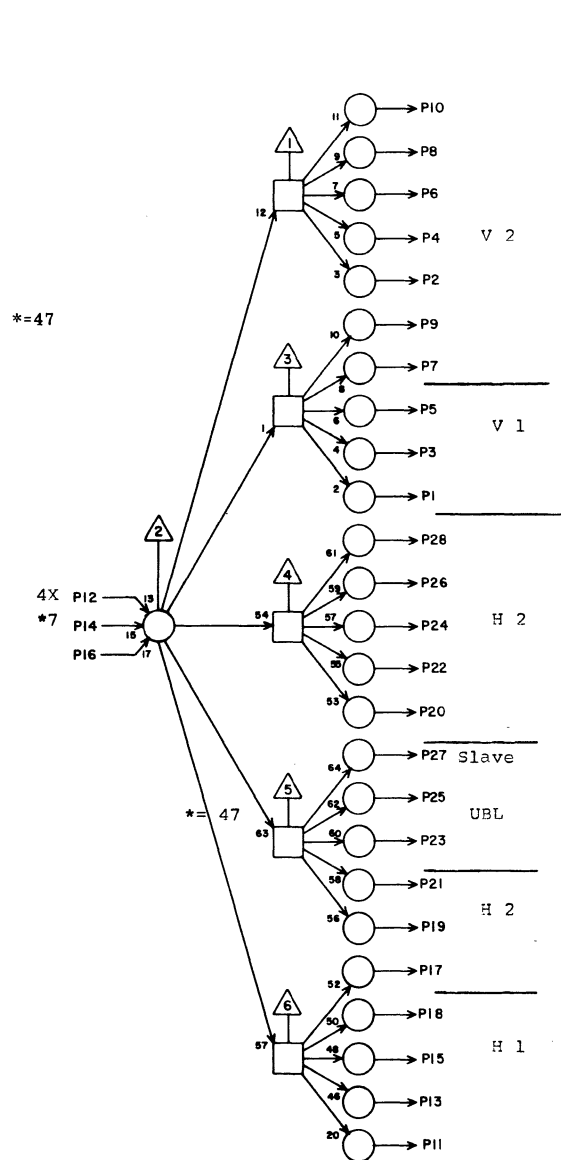
63016700 Rev. F



CA 12 G 41

JACK	PIN	LG
1	I35	22 15
2	H41	23 9
3	I36	6 13
4	I38	26 13
5	H38	18 13
6	I41	3 11
7	H39	26 9
8	I17	4 25
9	H40	26 9
10	I41	24 11
11	J33	25 17
12	H12	8 29
13	I23	18 21
14	H16	13 25
15	I26	6 19
16	Good	2
17	I28	6 17
18	I27	8 17
19		
20	I29	12 17
21		
22	J31	6 17
23		
24	J30	21 19
25		
26	J32	8 17
27		
28	J32	26 17

63016700 Rev. F



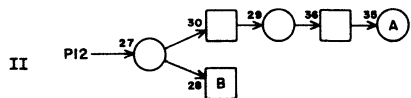
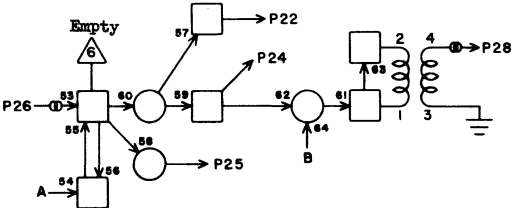
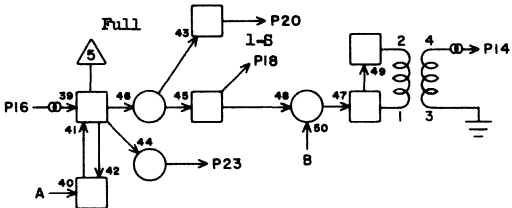
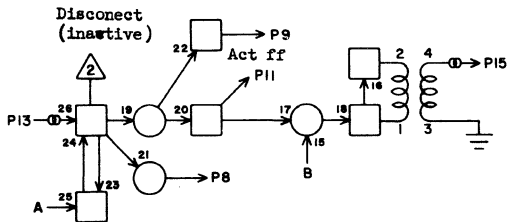
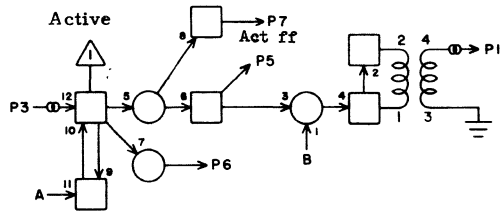
CA 12G 42

JACK	PIN	LG
1	I34	3 15
2	I39	6 13
3	I35	3 13
4	I39	5 13
5	I36	5 13
6	I40	5 11
7	I37	26 15
8	I39	23 13
9	H38	20 9
10	H29	8 17
11	I15	27 29
12	H12	10 29
13	I41	7 11
14	H15	19 27
15	I15	26 29
16	Good	2
17	I18	9 25
18	I41	26 13
19	H29	17 17
20	J27	25 21
21	J29	19 19
22	J26	21 21
23	I30	24 17
24	I23	20 21
25	J31	28 19
26	I25	6 21
27	H26	3 19
28	I26	4 19

63016700 Rev. F

12G42

INPUT REGISTER

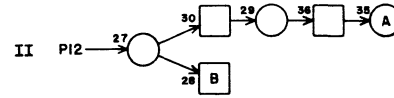
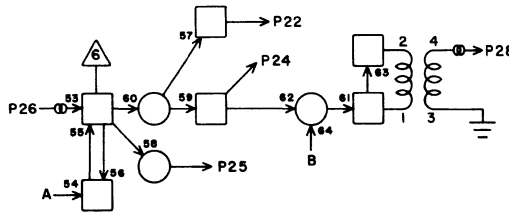
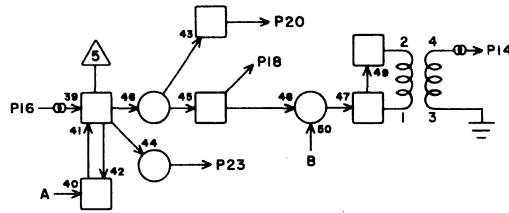
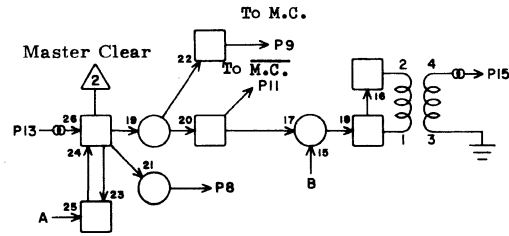
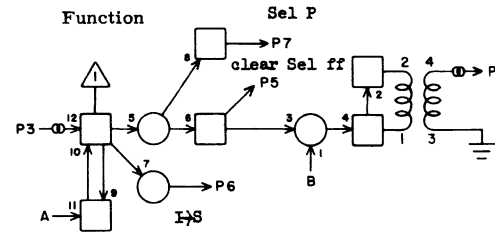


Q1 12 H01

1	W16	902	
2			
3	12w14	902	
4			
5	108	11	11
6			
7			
8			
9			
10			
11	108	14	11
12	J05	18	13
13	12w14	903	
14	W16	904	
15	W16	903	
16	12w14	904	
17			
18	H04	23	5
19			
20			
21			
22			
23			
24			
25			
26	12w14	905	
27			
28	W16	905	

JACK PIN LG

63016700 Rev. F



Q1 12 H02

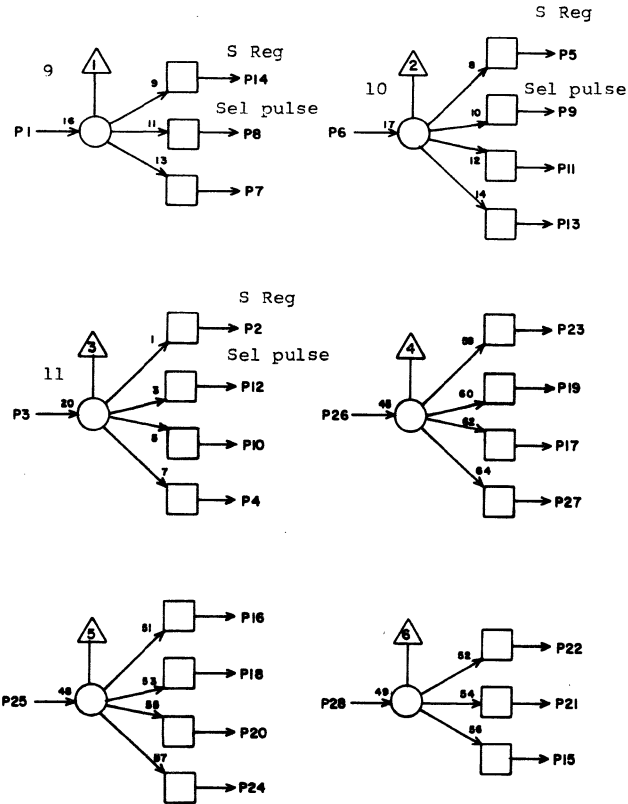
1	W16	906	
2			
3	12w14	906	
4			
5	I03	25	9
6	H04	27	5
7	H04	2	5
8			
9	I10	25	13
10			
11	I13	14	15
12		28	13
13	12w14	907	
14			
15	W16	907	
16			
17			
18			
19			
20			
21			
22			
23			
24			
25			
26			
27			
28			

JACK PIN LG

63016700 Rev. F

12H02

INPUT REGISTER SLAVES

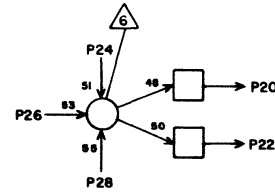
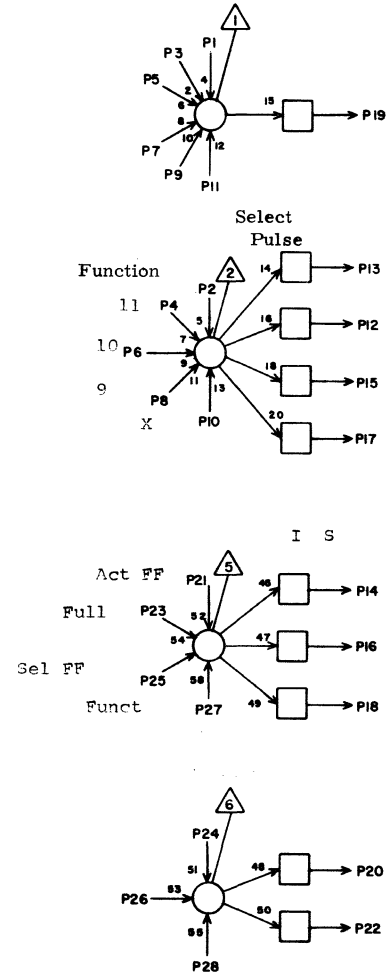


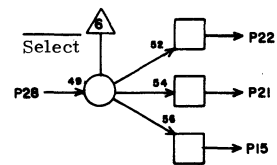
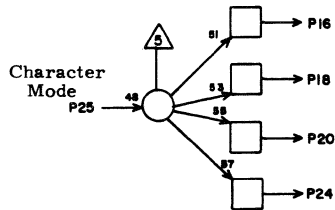
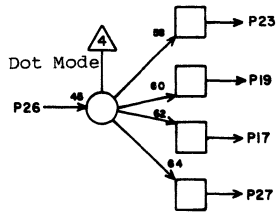
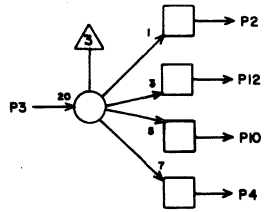
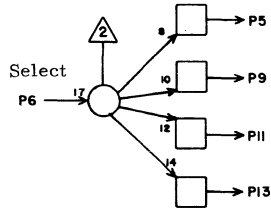
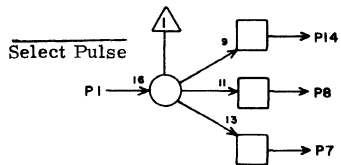
TH		12H03	
JACK	PIN	LG	
1	G03	11	5
2	G05	24	5
3	G03	24	5
4			
5	G05	25	5
6	G03	18	5
7			
8	H04	8	3
9	H04	6	3
10			
11			
12	H04	4	5
13			
14	G05	18	7
15			
16			
17			
18			
19			
20			
21			
22			
23			
24			
25			
26			
27			
28			

63016700 Rev.F

TB		12H04	
JACK	PIN	LG	
1			
2	H02	7	5
3			
4	H03	12	5
5			
6	H03	9	3
7			
8	H03	8	3
9			
10			
11			
12	G04	9	7
13	I08	3	7
14	I10	1	11
15	G04	20	7
16			
17	H05	1	5
18			
19			
20			
21	I10	15	11
22			
23	H01	18	5
24			
25	H05	5	5
26			
27	H02	6	5
28			

63016700 Rev.F

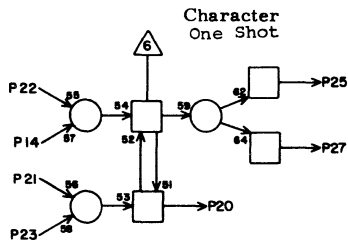
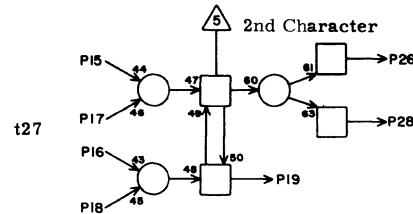
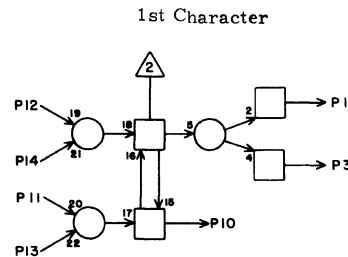
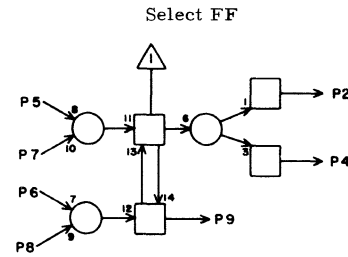




TM		12H05	
JACK	PIN	LG	
1	H04	17	5
2			
3			
4			
5	H04	25	5
6	H06	2	3
7	K28	15	27
8			
9	K04	15	15
10			
11	K05	15	15
12			
13	K06	15	15
14	H06	5	5
15	K06	14	15
16			
17	I03	6	7
18			
19			
20			
21			
22			
23	I04	15	5
24			
25	G04	13	9
26	G04	14	9
27	I04	4	5
28	H06	9	5

JACK PIN LG

63016700 Rev. F



t24+MC

t27

12H06

AA 12 H06

1	I03	8	9
2	H05	6	3
3	J02	1	13
4			
5	H05	14	5
6	L12	9	23
7	J04	15	13
8	J05	17	13
9	H05	22	5
10	L07	6	19
11	GND	X	?
12	J06	7	11
13	I05	3	5
14	GND	X	2
15	L07	2	19
16	GND	X	2
17	J17	10	15
18	I05	1	7
19	J09	17	13
20			
21	GND	X	2
22	J06	6	9
23	I06	25	7
24	GND	X	2
25	I06	8	5
26	J02	28	13
27			
28	I03	21	9

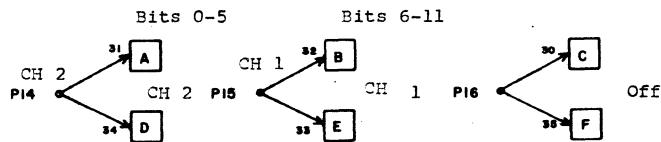
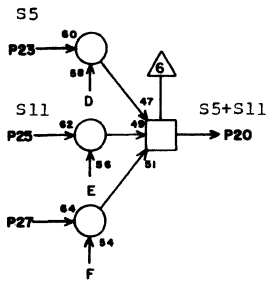
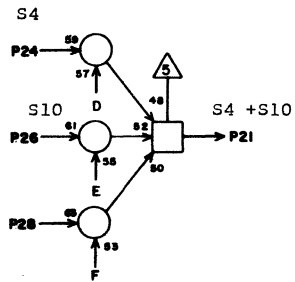
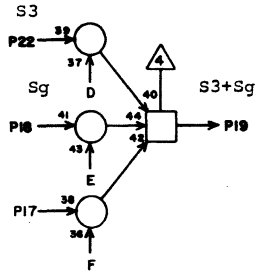
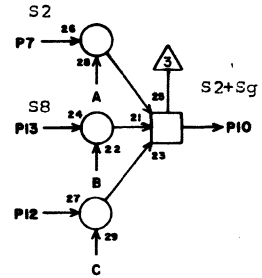
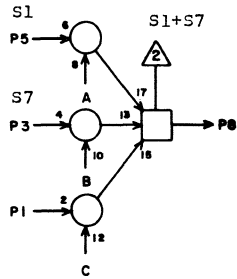
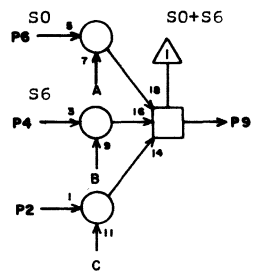
JACK PIN LG

63016700 Rev. F

CHARACTER TRANSLATOR NETWORK

CHARACTER TRANSLATOR

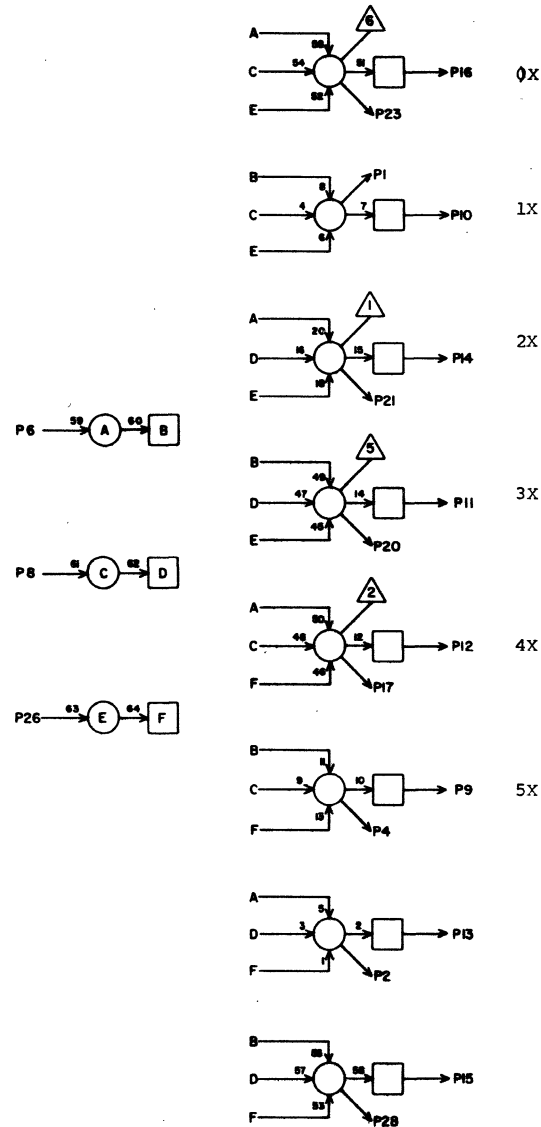
IV 12H08



TE 12H07

JACK	PIN	LG
1		
2		
3	G07	11 5
4	G07	7 7
5	G08	11 7
6	G08	7 7
7	G08	10 7
8	H09	8 5
9	H09	6 5
10	H09	26 5
11		
12		
13	G07	10 9
14	I03	19 9
15	I03	12 9
16	GND	X 2
17		
18	G05	17 7
19	H08	6 5
20	H08	26 3
21	H08	8 5
22	G08	17 9
23	G08	15 9
24	G08	20 9
25	G05	23 7
26	G05	26 7
27		
28		

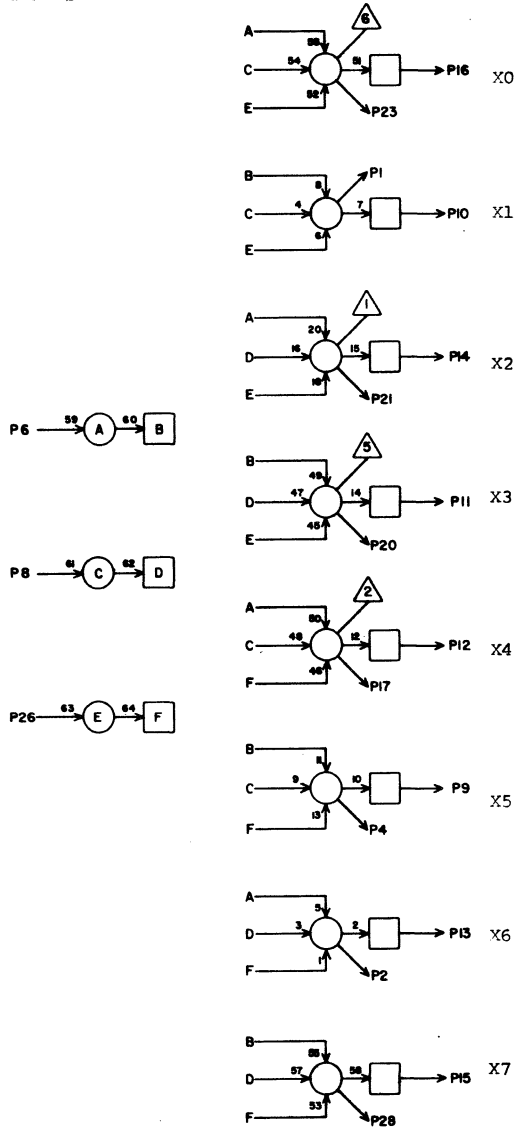
63016700 Rev. F



JACK	PIN	LG
1		
2		
3		
4		
5		
6	H07	19 5
7		
8	H07	21 5
9	H12	25 7
10	H10	25 5
11	H11	25 7
12	H12	5 7
13		
14	H11	5 7
15		
16	H10	5 7
17		
18		
19		
20		
21		
22		
23		
24		
25		
26	H07	20 3
27		
28		

63016700 Rev. F

CHARACTER
TRANSLATOR

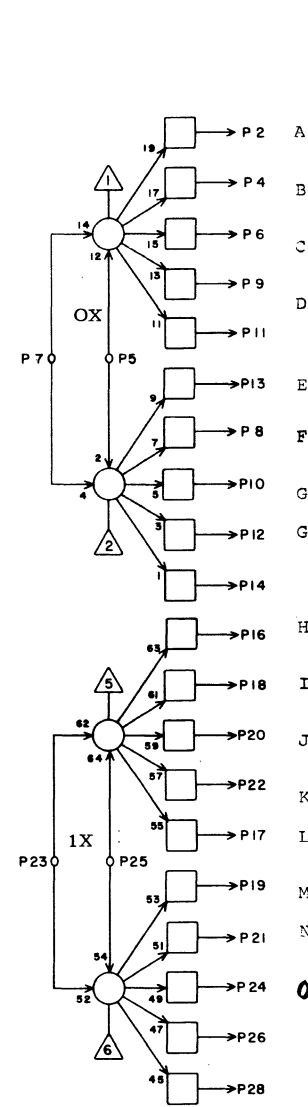


IV 12H09

1			
2			
3			
4			
5			
6	H07	9	5
7			
8	H07	8	5
9	H16	2	9
10	H13	5	7
11	H14	5	9
12	H14	25	9
13	H15	5	9
14	H13	25	9
15	H15	25	9
16	H16	1	9
17			
18			
19			
20			
21			
22			
23			
24			
25			
26	H07	10	5
27			
28			

JACK PIN LG

63016700 Rev. F



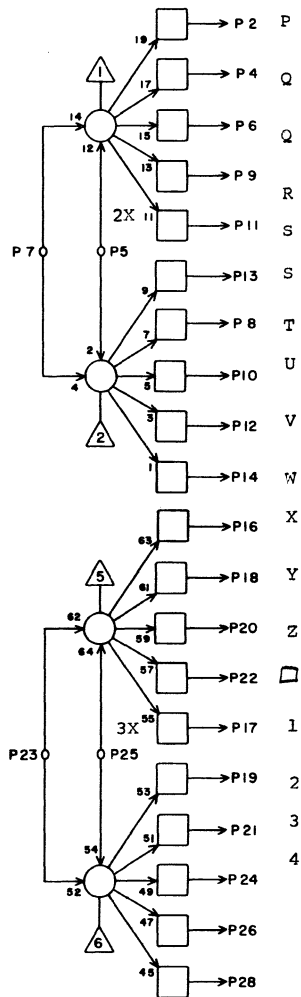
12H10

HC 12H10

1			
2	G13	12	7
3			
4	G14	12	7
5	H08	16	7
6	G09	3	9
7	GND	X	2
8	G18	12	11
9	G15	12	9
10	G19	12	13
11	G16	12	11
12	H17	7	11
13	G17	12	11
14			
15			
16	G20	12	13
17	H17	16	11
18	G09	14	9
19	G22	12	15
20	G10	3	9
21	H18	16	11
22	G21	12	15
23	GND	X	2
24	G23	12	17
25	H08	10	5
26			
27			
28			

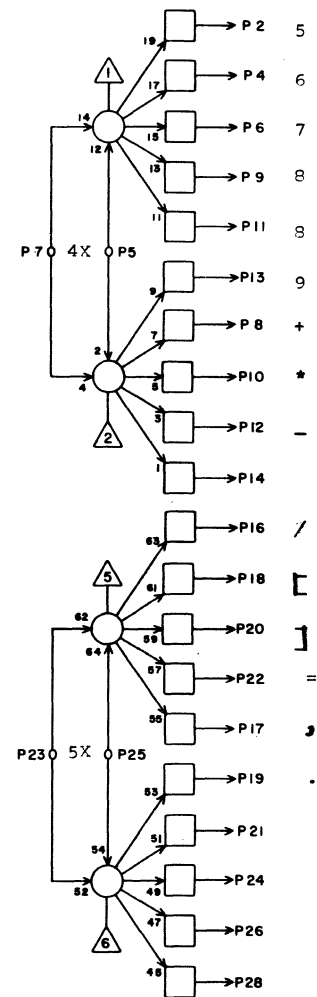
JACK PIN LG

63016700 Rev. F



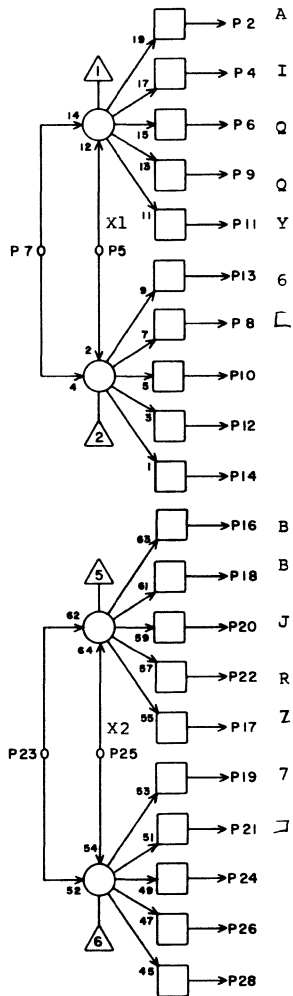
HC		12H11	
JACK	PIN	LG	
1			
2	H19	16	13
3			
4	G24	12	15
5	H08	14	7
6	H18	7	11
7	GND	X	2
8	H20	16	13
9	G25	12	17
10	G27	12	19
11	G26	12	17
12	G28	12	19
13	H19	7	13
14	G29	12	19
15			
16	G30	12	21
17	H21	16	13
18	G31	12	23
19	G34	12	23
20	G32	12	23
21	G35	12	25
22	G33	12	23
23	GND	X	2
24	H20	7	13
25	H08	11	7
26	G36	12	25
27			
28			

63016700 Rev. F



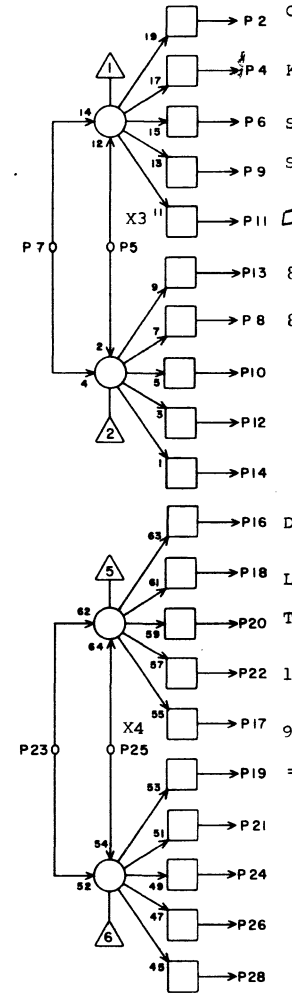
HC		12H12	
JACK	PIN	LG	
1			
2	G37	12	25
3			
4	G38	12	27
5	H08	12	7
6	H22	16	13
7	Good	x	2
8	G41	12	29
9	G39	12	27
10	G42	12	29
11	G10	14	9
12	H21	7	13
13	G40	12	27
14			
15			
16	H22	7	13
17	G11	14	9
18	H23	16	13
19	I04	6	13
20	G11	3	9
21			
22	H24	16	15
23	Good	x	2
24			
25	H08	9	7
26			
27			
28			

63016700 Rev. F



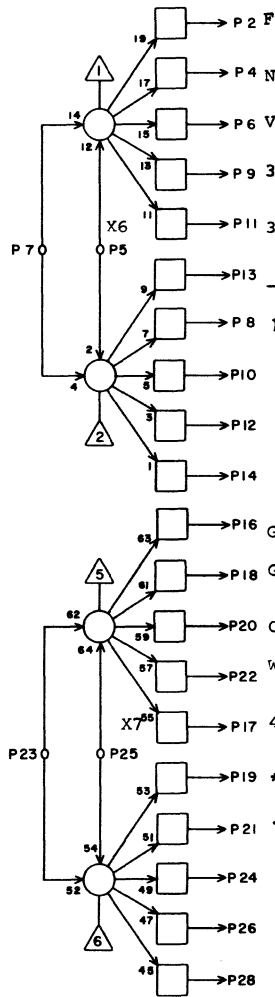
HC		12H13	
JACK	PIN	LG	
1			
2	G13	14	11
3			
4	G09	16	9
5	H09	10	7
6	G24	14	15
7	GND	X	2
8	H23	14	13
9	H18	8	7
10			
11	G31	14	19
12			
13	G38	14	25
14			
15			
16	G14	14	7
17	G32	14	21
18	G09	5	9
19	H22	14	11
20	G10	5	9
21	G11	5	9
22	G25	14	15
23	GND	X	2
24			
25	H09	14	9
26			
27			
28			

63016700 Rev. F



HC		12H14	
JACK	PIN	LG	
1			
2	G15	14	7
3			
4	G21	14	11
5	H09	11	9
6	G26	14	15
7	GND	X	2
8	G10	16	9
9	H19	8	7
10			
11	G33	14	21
12			
13	G39	14	25
14			
15			
16	G16	14	7
17	G40	14	27
18	H17	14	5
19	H24	14	13
20	H20	14	9
21			
22	H21	14	11
23	GND	X	2
24			
25	H09	12	9
26			
27			
28			

63016700 Rev. F

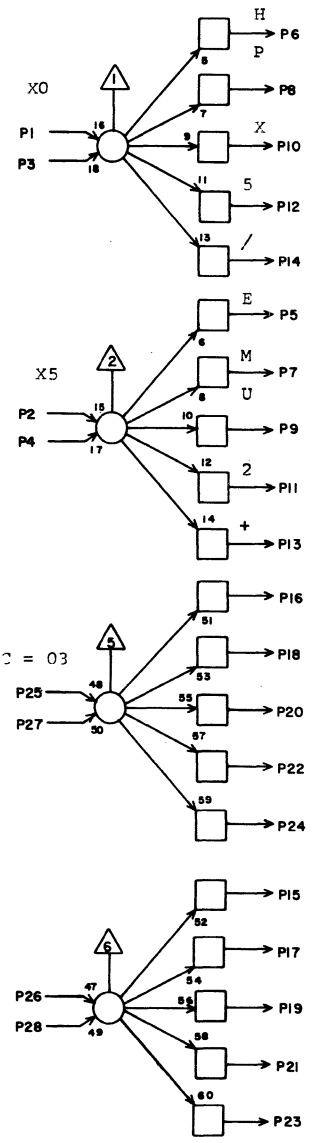


HC 12H15

1			
2	G18	14	7
3			
4	H18	14	5
5	H09	13	9
6	G28	14	17
7	GND	X	2
8	G11	16	9
9	G35	14	21
10			
11	H20	8	7
12			
13	H21	8	9
14			
15			
16	G19	14	9
17	G36	14	23
18	H17	8	5
19	G42	14	27
20	G23	14	13
21	I04	8	15
22	G29	14	17
23	GND	X	2
24			
25	H09	15	9
26			
27			
28			

JACK PIN LG

63016700 Rev. F

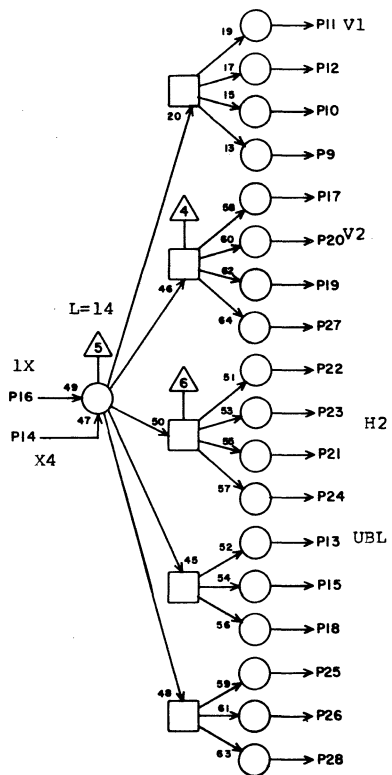
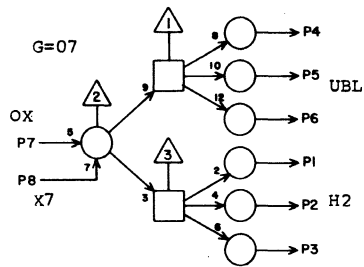


TD 12 H16

1	H09	16	9
2	H09	9	9
3	GND	X	2
4	GND	X	2
5	G17	14	7
6	G20	14	9
7	G22	14	9
8	H19	14	5
9	G27	14	13
10	G30	14	17
11	G34	14	19
12	G37	14	23
13	G41	14	25
14	H22	8	9
15			
16	I26	3	15
17			
18	I27	5	15
19			
20	I31	1	17
21			
22	I32	14	19
23			
24			
25	G15	27	7
26			
27			
28			

JACK PIN LG

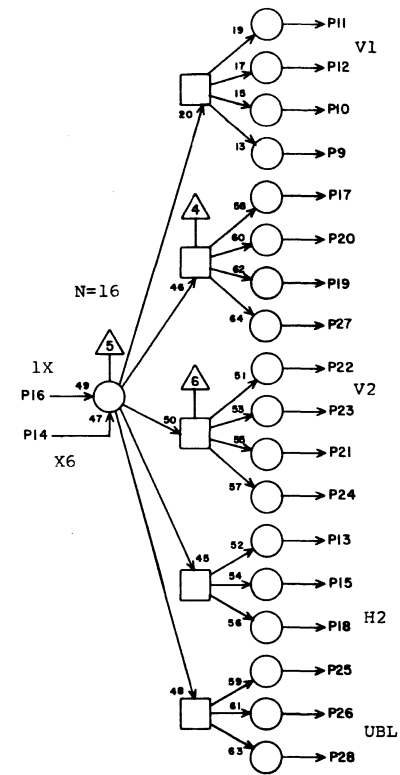
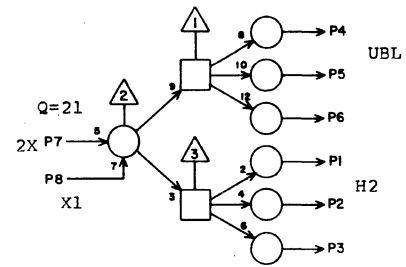
63016700 Rev. F



CB		12 H17	
1	I27	17	15
2	I28	9	15
3	I29	3	15
4	I31	14	17
5	I32	19	17
6			
7	H10	12	11
8	H15	18	5
9	H37	10	23
10	H35	17	19
11	H30	24	17
12	H36	8	21
13	I31	20	17
14	H14	18	5
15			
16	H10	17	11
17	H37	22	23
18			
19	H40	1	25
20	H39	3	25
21	I26	19	13
22	I24	5	11
23	I25	11	13
24	I31	3	17
25			
26			
27	H41	10	25
28			

JACK PIN LG

63016700 Rev. F

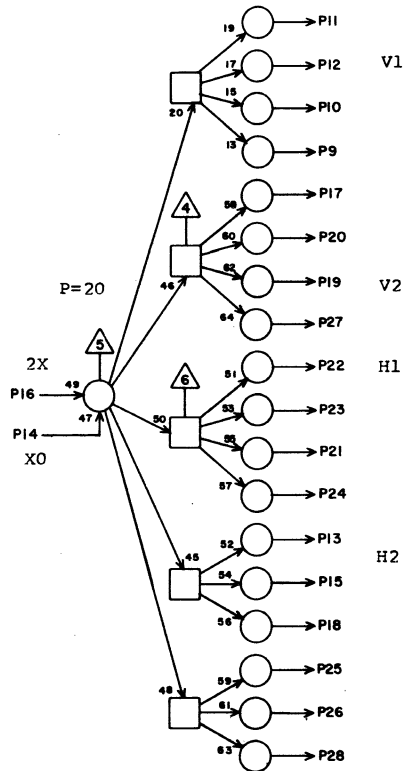
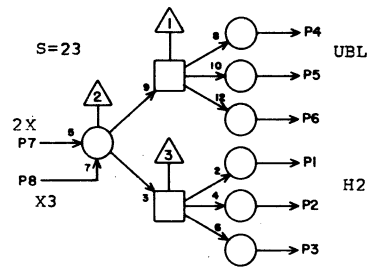


12H18

CB		12H18	
1	I27	23	13
2	H29	19	15
3	I30	21	15
4	J33	10	19
5	I32	10	17
6	H29	5	17
7	H11	6	11
8	H13	9	7
9	H37	6	21
10	H36	4	21
11	H31	19	17
12	H33	7	19
13	I15	12	9
14	H15	4	5
15	I20	12	7
16	H10	21	11
17	H37	26	21
18	I22	12	9
19	H40	5	25
20	H39	7	25
21	I14	8	9
22	H41	24	25
23	H42	17	25
24	I14	23	11
25	I23	12	9
26	I30	5	15
27	H41	8	25
28	I32	8	17

JACK PIN LG

63016700 Rev. F

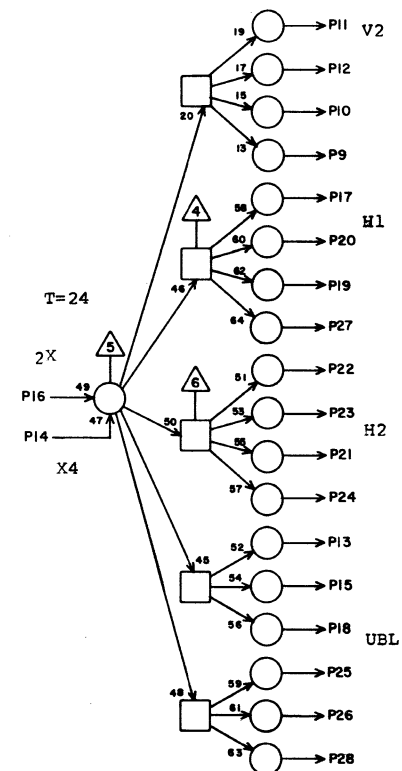
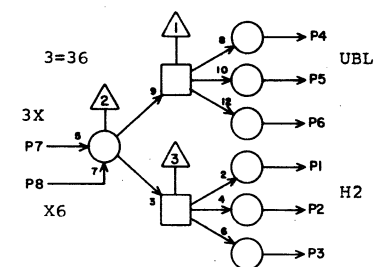


CB 12H19

1	I26	25	13
2	I27	27	13
3	I28	19	13
4	I30	23	15
5	I32	9	17
6			
7	H11	13	13
8	H14	9	7
9	H33	26	17
10	H33	11	17
11	H31	23	15
12	H32	24	17
13	I24	11	9
14	H16	8	5
15	I25	19	11
16	H11	2	13
17	H36	1	21
18	I26	21	13
19	H38	12	21
20	H37	1	21
21	I22	8	7
22	I16	22	9
23	I20	8	5
24	I23	8	7
25	I27	21	13
26	I30	7	15
27	H39	11	23
28	I32	6	17

JACK PIN LG

63016700 Rev. F

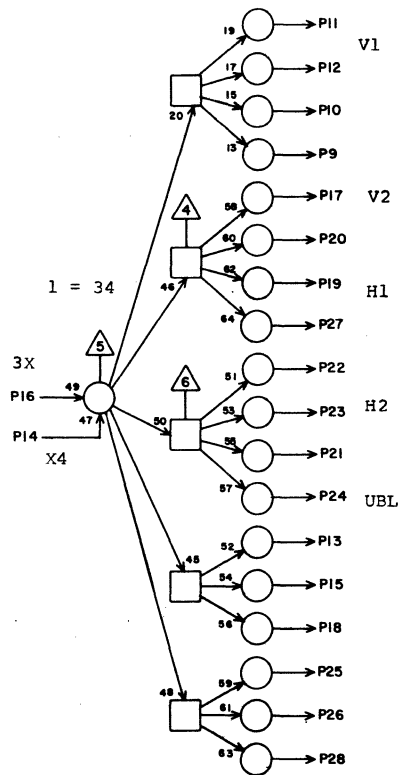
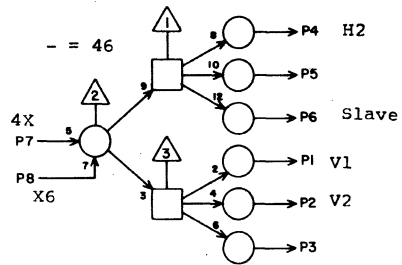


CB 12H20

1	I29	19	15
2	I29	26	15
3	I30	27	15
4	J33	20	19
5			
6			
7	H11	24	13
8	H15	11	7
9	I41	11	23
10	H40	11	23
11	H38	4	21
12	H39	21	23
13	I31	10	15
14	H14	20	9
15	J30	19	17
16	H11	8	13
17	I17	14	9
18	J32	4	17
19	I17	24	9
20	I17	9	9
21	I27	16	11
22	I25	27	11
23	I26	27	11
24	I28	21	13
25	I32	11	15
26			
27	I23	3	7
28			

JACK PIN LG

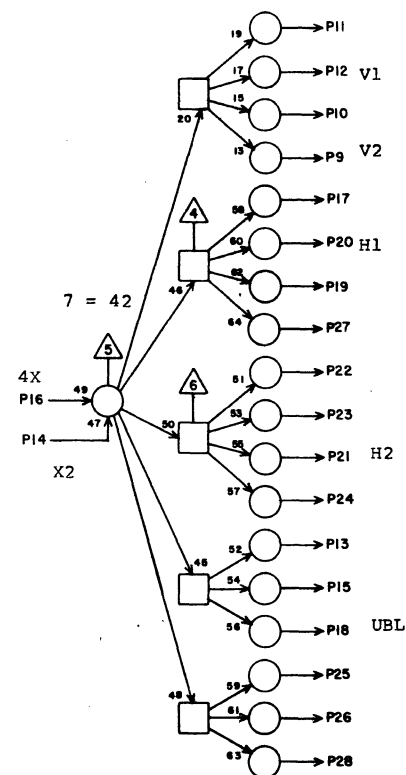
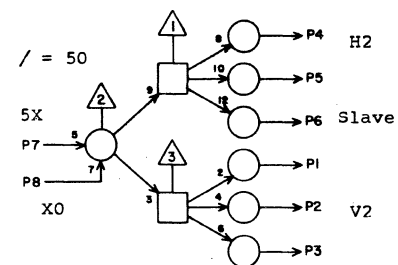
63016700 Rev. F



CB		12H21	
1	I36	4	19
2	I38	28	19
3	H29	21	15
4	I29	8	13
5	J29	21	15
6	H26	6	9
7	H12	12	13
8	H15	13	9
9	H39	18	21
10	H38	19	21
11	H32	19	15
12	H33	14	15
13	J32	6	15
14	H14	22	11
15			
16	H11	17	13
17	H40	27	21
18			
19	I41	5	23
20	H41	11	23
21	I23	9	7
22	J33	17	17
23	I18	4	7
24	I31	6	13
25			
26			
27	I42	3	23
28			

JACK PIN LG

63016700 Rev. F

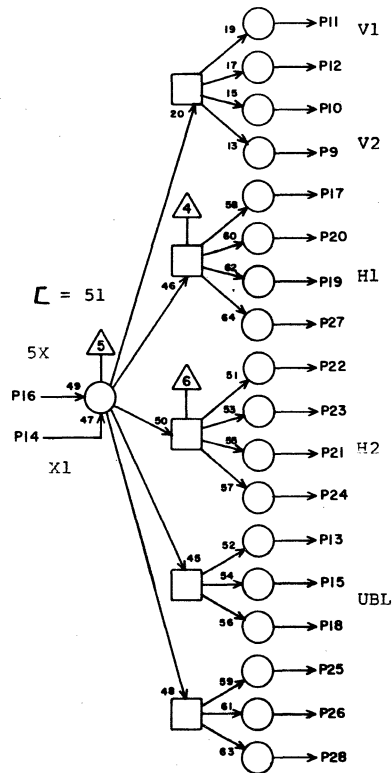
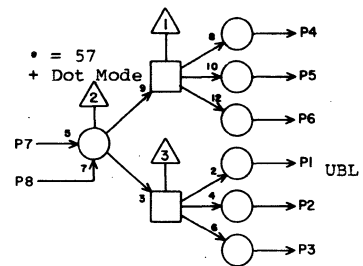


CB		12H22	
1	I40	12	21
2	I40	25	21
3	I40	19	21
4	J29	23	15
5	J30	4	15
6	H26	26	9
7	H12	16	13
8	H16	14	9
9	H39	24	21
10	H38	27	21
11	H30	27	11
12	H32	14	13
13	I26	12	9
14	H13	19	11
15	I30	18	13
16	H12	6	13
17	I42	6	23
18	J33	8	19
19	J25	3	11
20	I16	4	11
21	I23	25	7
22	I19	23	9
23	I22	21	7
24	I25	12	7
25			
26			
27	J33	21	23
28			

JACK PIN LG

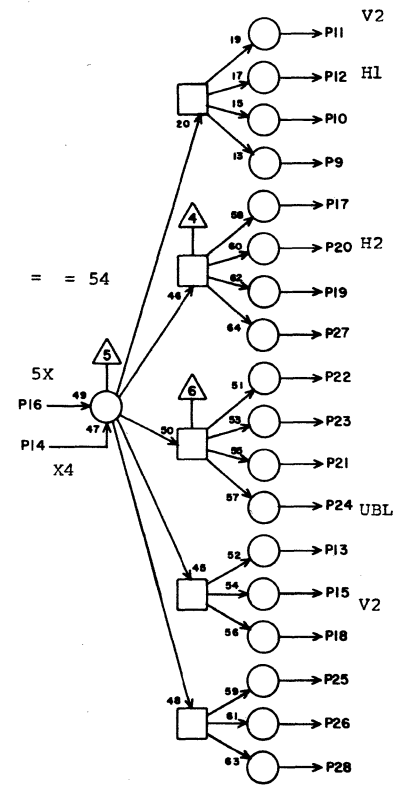
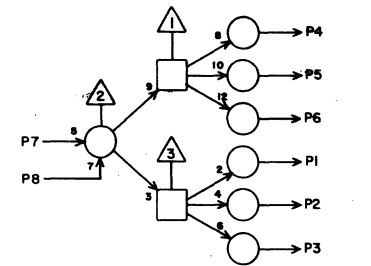
12H22

63016700 Rev. F



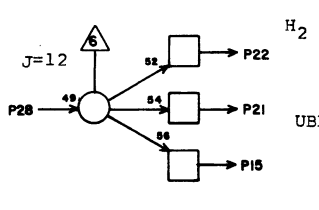
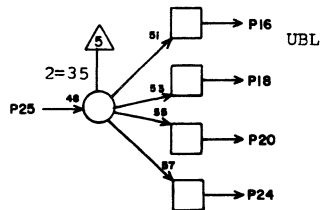
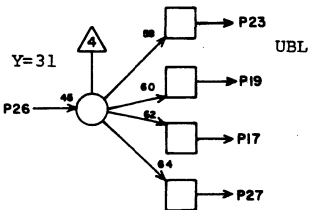
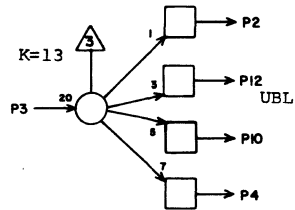
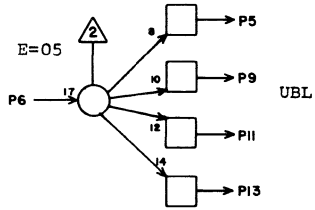
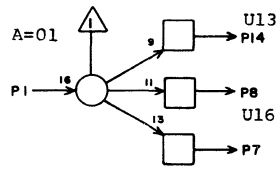
CB		12H23	
JACK	PIN	LG	
1	J32	27	17
2	J33	7	17
3			
4			
5			
6			
7	I04	1	23
8	GND	X	2
9	I39	3	19
10	I39	4	21
11	I35	4	15
12	I35	24	15
13	J31	8	15
14	H13	8	13
15	J32	12	17
16	H12	18	13
17	I42	7	23
18			
19	I42	23	23
20	I42	8	23
21	I18	11	9
22	J33	23	17
23	J26	5	11
24	J26	23	11
25			
26			
27	J25	7	11
28			

63016700 Rev. F



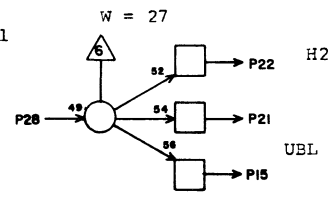
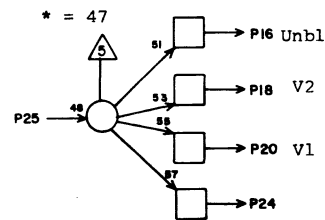
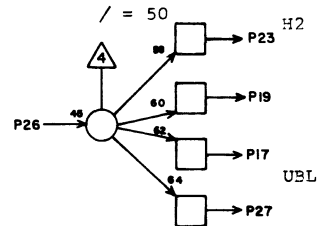
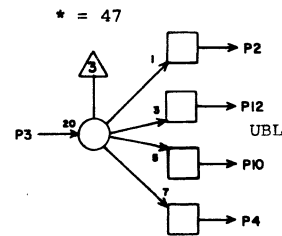
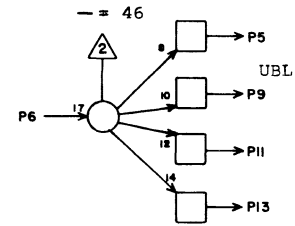
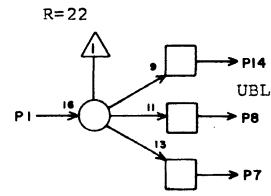
CB		12H24	
JACK	PIN	LG	
1			
2			
3			
4			
5			
6			
7			
8			
9	J27	27	13
10	J27	19	13
11	I33	5	13
12	142	26	23
13	131	26	13
14	H14	19	13
15	H41	25	23
16	H12	22	15
17	J26	25	13
18			
19	I29	7	15
20	I20	23	9
21	J32	5	13
22	J30	11	17
23	I30	26	9
24	J34	5	15
25			
26			
27	H29	23	11
28			

63016700 Rev. F



TM 12H25			
JACK	PIN	LG	
1	G13	27	15
2	I30	1	9
3	G21	27	7
4	J34	1	15
5	J30	16	13
6	G17	27	11
7			
8	I32	1	13
9	I32	12	13
10	I31	23	13
11	H29	3	9
12	J31	24	15
13	J34	2	15
14	J33	14	15
15	I31	21	11
16	J31	23	15
17			
18	J33	18	15
19	I32	25	15
20			
21	I30	17	11
22	I19	4	9
23	I31	27	11
24			
25	G34	27	15
26	G31	27	11
27			
28	G10	2	19

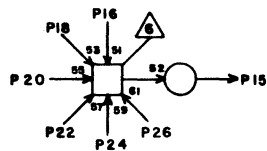
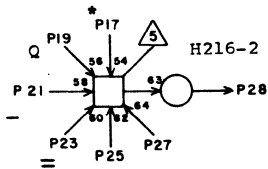
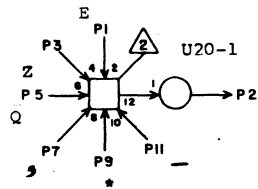
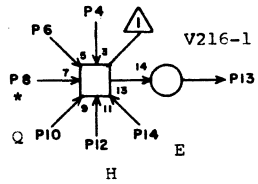
JACK PIN LG
63016700 Rev. F



12H26

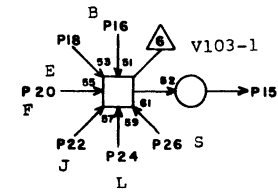
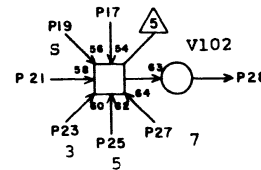
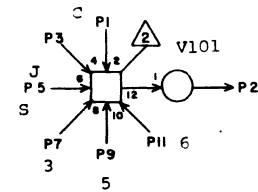
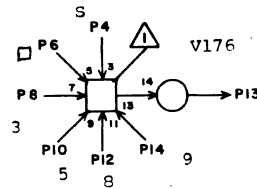
TM 12H26			
JACK	PIN	LG	
1	G25	27	5
2	J30	23	15
3	G42	27	19
4	H26	25	5
5	J33	6	13
6	H21	6	9
7			
8	J34	3	15
9	H29	11	9
10	J32	19	15
11			
12	J30	20	13
13			
14	I30	9	9
15	J34	10	15
16	H29	9	9
17	J34	7	15
18	I41	4	21
19	J32	17	13
20	I33	14	15
21	I31	9	9
22	I27	18	7
23	J30	03	13
24			
25	H26	4	5
26	H22	6	9
27			
28	G29	27	9

JACK PIN LG
63016700 Rev. F



IP		12 H29	
1	G32	23	9
2	J33	16	11
3	H25	11	9
4			
5	H18	6	17
6			
7	G11	28	25
8	G42	10	17
9	H26	16	9
10	G24	18	11
11	H26	9	9
12	G20	11	13
13	I40	15	15
14	G17	5	15
15			
16			
17	G42	19	17
18			
19	H18	2	15
20			
21	H21	3	15
22			
23	H24	27	11
24			
25			
26			
27			
28	J30	6	13
JACK	PIN	LG	

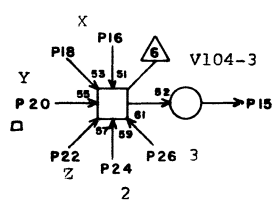
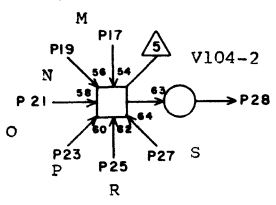
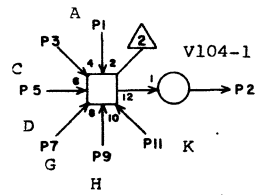
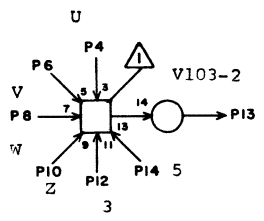
63016700 Rev. F



IP		12 H30	
1	G15	1	17
2	I34	10	9
3	G10	15	23
4	G26	1	9
5	G26	3	9
6	G33	1	9
7	G35	3	9
8	G35	1	11
9	G37	3	11
10	G37	1	13
11	G38	1	13
12	G39	1	13
13	I34	1	9
14	G40	1	15
15	I35	14	9
16	G14	1	19
17			
18	G17	1	17
19	G26	5	9
20	G18	1	15
21			
22	G10	7	23
23	G35	5	11
24	H17	11	17
25	G37	5	13
26	G26	7	11
27	H22	11	11
28	I34	2	9
JACK	PIN	LG	

63016700 Rev. F

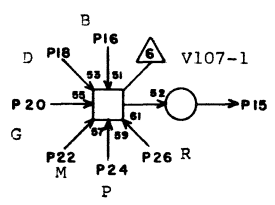
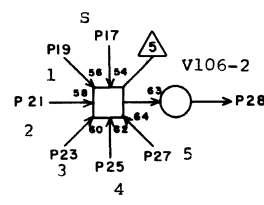
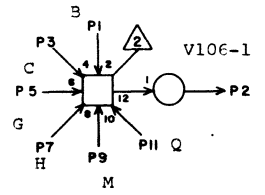
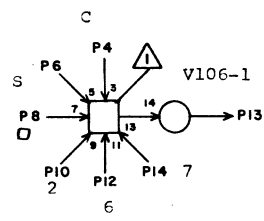
12130



IP 12 H31

1	G13	1	19
2	I35	13	11
3	G15	3	19
4	G27	1	9
5	G16	1	17
6	G28	1	9
7	G19	3	15
8	G29	1	9
9	G20	1	13
10	G32	1	9
11	G21	1	13
12	G35	7	9
13	I35	12	11
14	G37	7	11
15	I35	9	11
16	G30	1	9
17	G22	1	13
18	G31	1	9
19	H18	11	17
20	G33	3	9
21	G23	1	13
22	G34	3	11
23	H19	11	15
24	G35	9	11
25	G25	1	13
26	G37	9	11
27	G26	9	11
28	I35	11	11

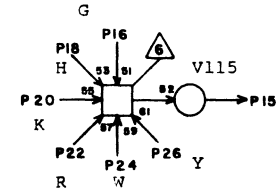
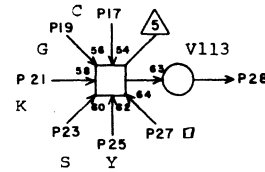
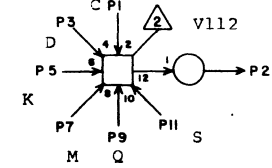
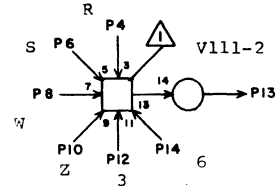
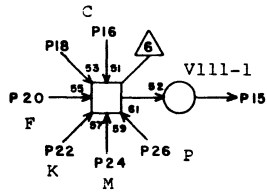
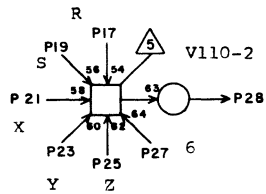
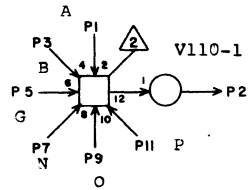
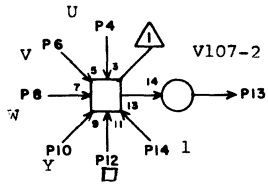
JACK PIN LG



IP 12 H32

1	G14	3	19
2	I35	16	9
3	G15	7	19
4	G15	5	19
5	G19	5	15
6	G26	2	11
7	G20	3	15
8	G33	5	7
9	G22	3	15
10	G34	5	9
11	G24	1	13
12	G38	7	11
13	I34	15	9
14	H22	12	13
15	I35	15	9
16	G14	5	19
17	G26	4	13
18	G16	3	19
19	H21	11	15
20	G19	7	15
21	G34	7	9
22	G22	5	15
23	G35	2	9
24	H19	12	17
25	G36	1	11
26	G25	3	13
27	G37	2	11
28	I35	18	9

JACK PIN LG



IP 12 H33

1	G13	3	21
2	I36	14	9
3	G14	7	21
4	G27	3	11
5	G19	9	17
6	G28	3	9
7	H18	12	17
8	G29	3	9
9	G23	3	13
10	G31	3	9
11	H19	10	17
12	G33	7	7
13	I35	17	9
14	H21	12	15
15	I36	13	9
16	G15	9	19
17	G25	5	13
18			
19	G26	6	13
20	G18	3	17
21	G30	3	9
22	G21	3	15
23	G31	5	9
24	G22	7	15
25	G34	2	9
26	H19	9	17
27	G38	2	11
28	I36	12	9

JACK PIN LG

63016700 Rev. F

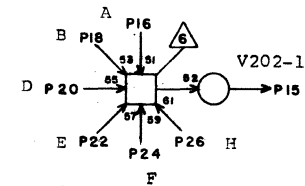
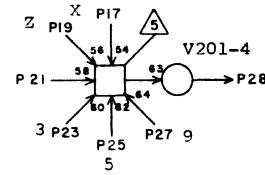
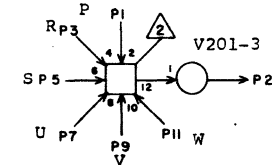
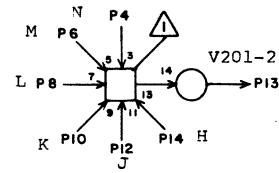
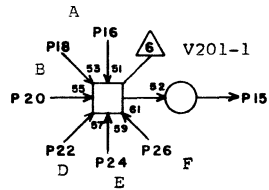
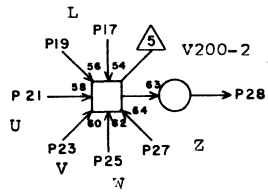
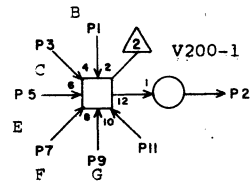
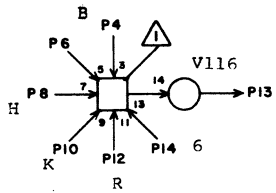
IP 12 H34

1	G15	2	21
2	I36	16	9
3	G16	5	19
4	G25	7	13
5	G21	5	15
6	G26	8	13
7	G22	9	15
8	G29	5	11
9	G24	3	13
10	G34	4	7
11	G26	10	13
12	G35	4	9
13	I36	11	9
14	G38	4	9
15	I37	14	9
16	G19	6	17
17	G15	4	21
18	G20	5	17
19	G19	2	19
20	G21	9	17
21	G21	7	17
22	G25	9	13
23	G26	11	13
24	G29	2	13
25	G31	9	9
26	G31	2	11
27	G33	2	11
28	I33	12	9

JACK PIN LG

63016700 Rev. F

12H34

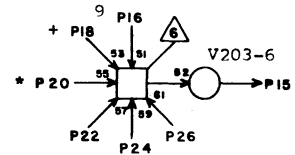
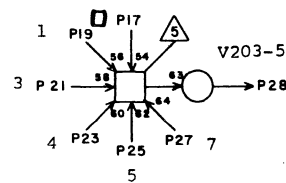
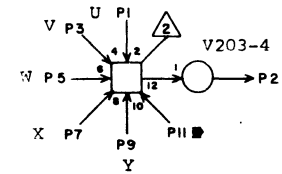
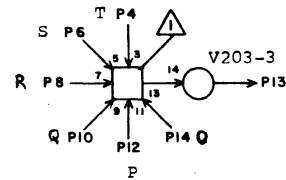
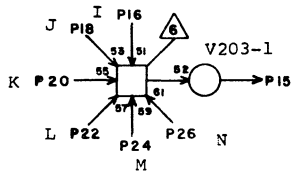
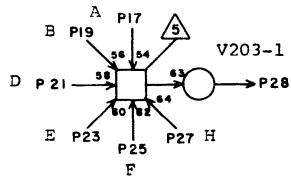
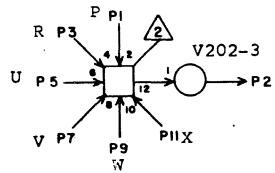
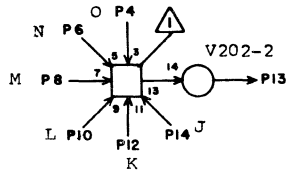


IP 12 H35			
JACK	PIN	LG	
1	G14	6	23
2	I37	13	9
3	G15	8	23
4	G14	9	23
5	G17	7	19
6			
7	G18	5	19
8	G20	7	17
9	G19	17	21
10	G21	2	17
11			
12	G25	2	15
13	I34	22	9
14	G38	10	9
15	I38	21	9
16	G13	11	23
17	H17	10	19
18	G14	8	23
19			
20			
21	G27	5	13
22	G16	7	21
23	G28	5	13
24	G17	9	19
25	G29	4	13
26	G18	7	19
27	G32	3	11
28	I37	11	9

63016700 Rev. F

IP 12H 36			
JACK	PIN	LG	
1	H19	17	21
2	I38	25	11
3	G25	6	15
4	H18	10	21
5	G26	15	13
6	G22	2	17
7	G27	7	13
8	H17	12	23
9	G28	7	13
10	G21	6	17
11	G29	6	13
12	G10	4	29
13	I38	23	9
14	G20	9	19
15	I37	16	9
16	G13	5	23
17	G30	5	11
18	G14	10	23
19	G32	5	11
20	G16	9	21
21			
22	G17	2	21
23	G35	8	9
24	G18	9	19
25	G37	4	9
26	G20	2	19
27	G40	13	11
28	I38	27	11

63016700 Rev. F



IP 12 H 37

1	H19	20	21
2	I37	20	9
3	G25	8	15
4	G23	7	17
5	G27	9	13
6	H18	9	21
7	G28	9	13
8	G22	4	17
9	G29	8	13
10	H17	9	23
11	G30	7	13
12	G21	8	19
13	I37	18	9
14	G10	11	29
15	I37	17	9
16	G09	25	27
17	G13	7	25
18	G10	9	29
19	G14	11	25
20	G21	10	19
21	G16	2	23
22	H17	17	23
23	G17	4	23
24	G22	6	17
25	G18	2	21
26	H18	17	21
27	G20	4	19
28	I37	15	9

JACK PIN LG

63016700 Rev. F

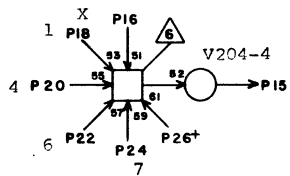
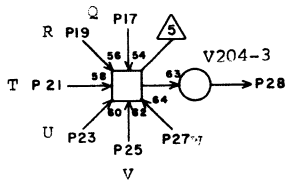
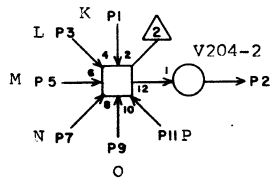
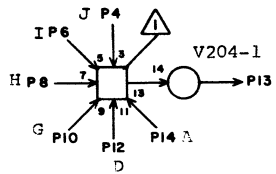
IP 12 H 38

1	G27	2	15
2	I37	21	9
3	G28	2	13
4	H20	11	21
5	G29	10	13
6	G26	18	15
7	G30	9	13
8	G25	10	15
9	G31	4	13
10	G24	7	17
11	G32	9	11
12	H19	19	21
13	I37	19	9
14	G23	9	17
15	I37	25	9
16	G40	15	7
17	G33	8	13
18	G41	5	13
19	H21	10	21
20	G42	9	9
21	G35	10	9
22			
23	G36	3	9
24			
25	G37	6	9
26			
27	H22	10	21
28	I37	23	9

JACK PIN LG

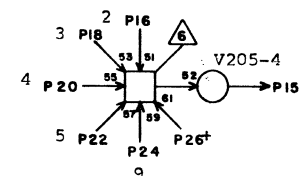
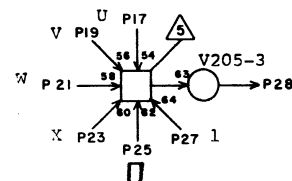
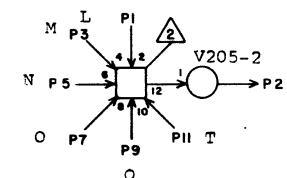
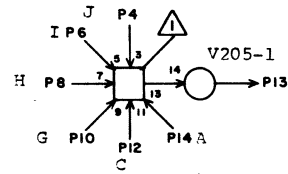
63016700 Rev. F

12H38



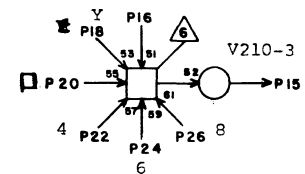
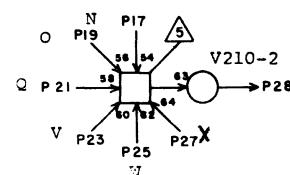
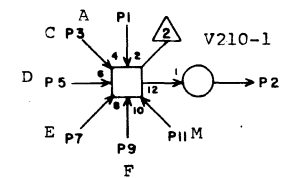
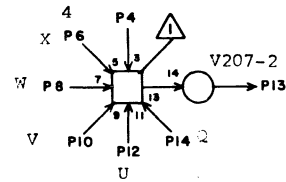
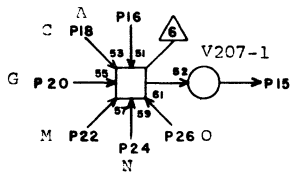
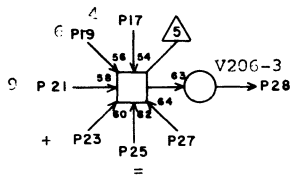
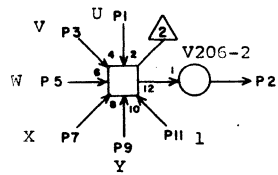
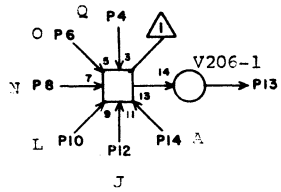
IP 12 H 39			
JACK	PIN	LG	
1	G21	11	19
2	I39	12	9
3	H17	20	25
4	G10	13	29
5	G22	8	19
6	G09	23	29
7	H18	20	25
8	G20	6	21
9	G23	2	19
10	G19	8	23
11	H19	27	23
12	G16	4	25
13	I39	14	9
14	G13	9	27
15	I39	8	9
16	G30	2	13
17	G24	9	17
18	H21	9	21
19	G25	11	17
20	G36	5	9
21	H20	12	23
22	G38	13	9
23	G27	4	17
24	H22	9	21
25	G29	4	15
26	G41	7	9
27	G29	11	15
28	I39	10	9

63016700 Rev. F



IP 12 H 40			
JACK	PIN	LG	
1	H17	19	25
2	I39	11	9
3	G22	10	19
4	G10	1	29
5	H18	19	25
6	G09	26	31
7	G23	4	19
8	G20	8	21
9	G24	2	19
10	G19	11	23
11	H20	10	23
12	G15	10	25
13	I39	13	9
14	G13	2	27
15	I39	7	9
16	G34	10	11
17	G27	6	17
18	G35	11	9
19	G28	6	15
20	G36	7	9
21	G29	13	15
22	G37	8	9
23	G30	4	15
24	G40	18	7
25	G33	10	13
26	G41	9	9
27	H21	17	21
28	I39	9	9

63016700 Rev. F



IP 12H 41

1	G27	8	17
2	I38	17	9
3	G28	8	17
4	G24	4	19
5	G29	15	15
6	G23	6	19
7	G30	6	15
8	H18	27	25
9	G31	6	13
10	H17	27	25
11	H21	20	23
12	G10	8	31
13	I38	15	9
14	G13	4	29
15	I38	22	11
16	G13	6	29
17	G36	9	11
18	G15	11	27
19	G38	15	9
20	G19	13	23
21	G40	17	7
22	G22	11	21
23	G41	2	9
24	H18	22	25
25	H24	15	23
26	G23	8	21
27			
28	I38	19	11

JACK PIN LG

63016700 Rev. F

IP 12H 42

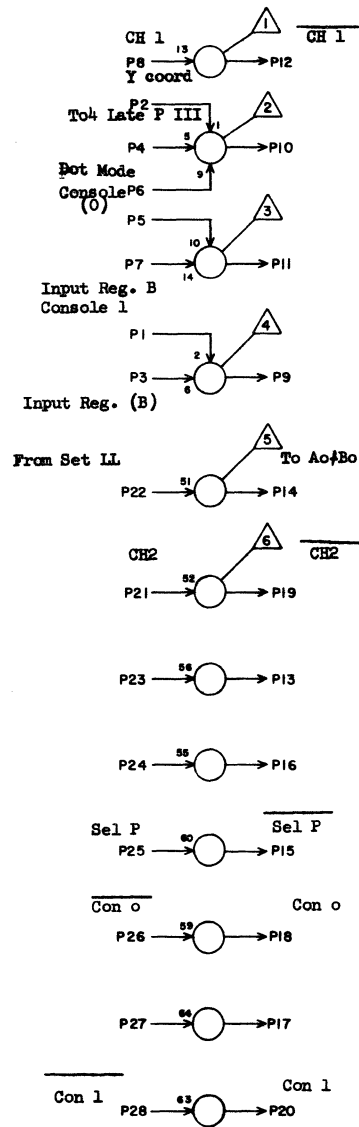
1	G13	8	29
2	I39	16	9
3	G15	13	27
4	G36	2	15
5	G16	6	27
6	G30	8	15
7	G17	6	25
8	G29	18	17
9	G19	4	25
10	G28	10	17
11	G22	13	21
12	G27	10	17
13	I38	24	9
14	G24	5	19
15	I39	20	11
16	G31	8	15
17	H18	23	25
18	G32	2	15
19	G23	10	21
20	G33	11	13
21	G24	8	21
22	G36	4	11
23	G28	11	17
24	G38	18	9
25	G29	17	17
26	G39	20	9
27	G30	10	17
28	I39	18	11

JACK PIN LG

63016700 Rev. F

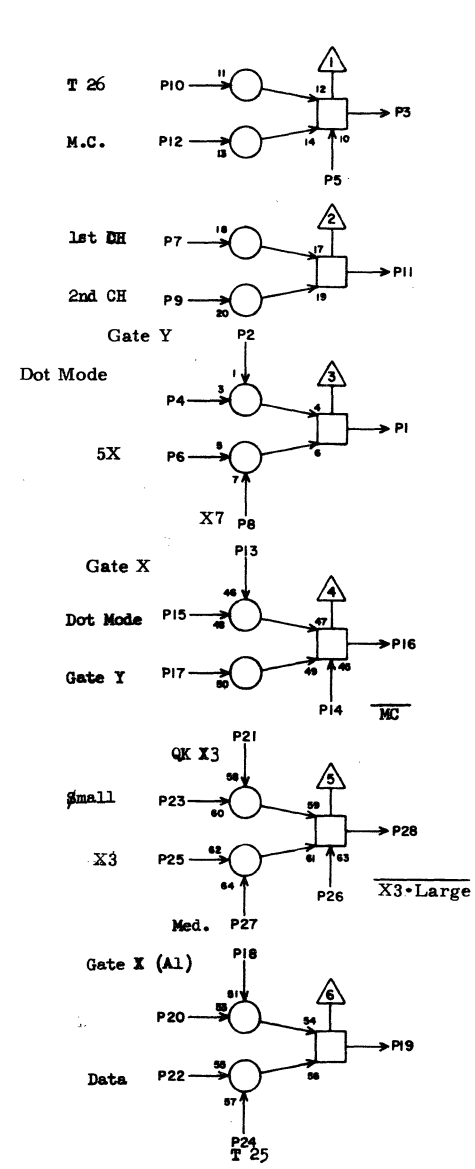
12H42





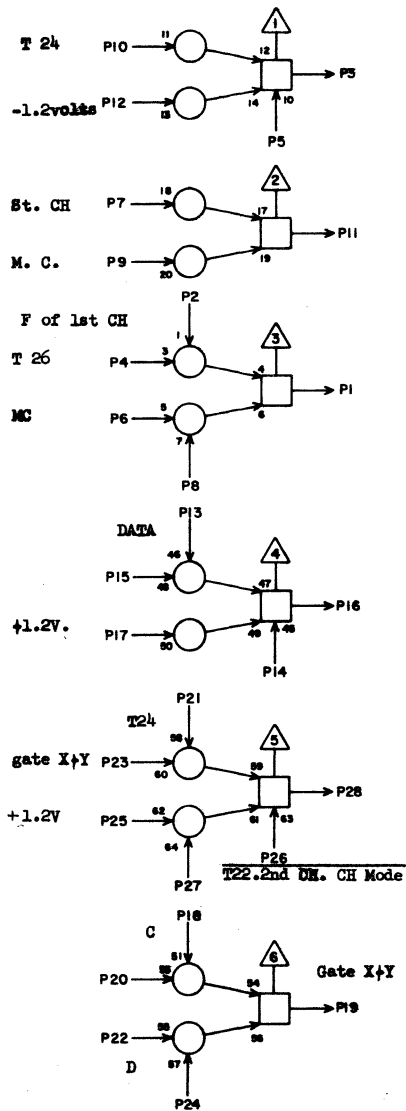
TL 12I03

	JACK	PIN	LG
1	G04	26	9
2	L10	22	19
3	K39	9	35
4	J11	25	13
5	G04	18	11
6	H05	17	7
7	K39	7	35
8	H06	1	9
9	K05	16	13
10	I05	14	5
11	K05	14	13
12	H07	15	9
13	L12	5	15
14	L14	23	19
15	L12	1	15
16			
17			
18	J09	21	13
19	H07	14	9
20	J09	22	13
21	H06	28	9
22	I06	2	5
23	J06	2	11
24			
25	H02	5	9
26	G04	16	11
27			
28	G04	25	11



QH 12I04

	JACK	PIN	LG
1	H23	7	21
2	L10	24	17
3	J06	15	9
4	H05	27	5
5	I04	x	2
6	H12	19	13
7	J02	14	9
8	H15	21	15
9	J02	22	9
10	J23	15	21
11	J08	21	9
12	I10	16	9
13	L15	12	19
14	I13	27	13
15	H05	23	5
16	L07	22	15
17	L15	13	19
18	L07	3	15
19	L10	1	15
20	I04	X	2
21	L20	9	21
22	L10	15	17
23	L13	8	17
24	J23	13	21
25	I11	17	11
26	L14	9	17
27	L13	9	17
28	L17	7	19

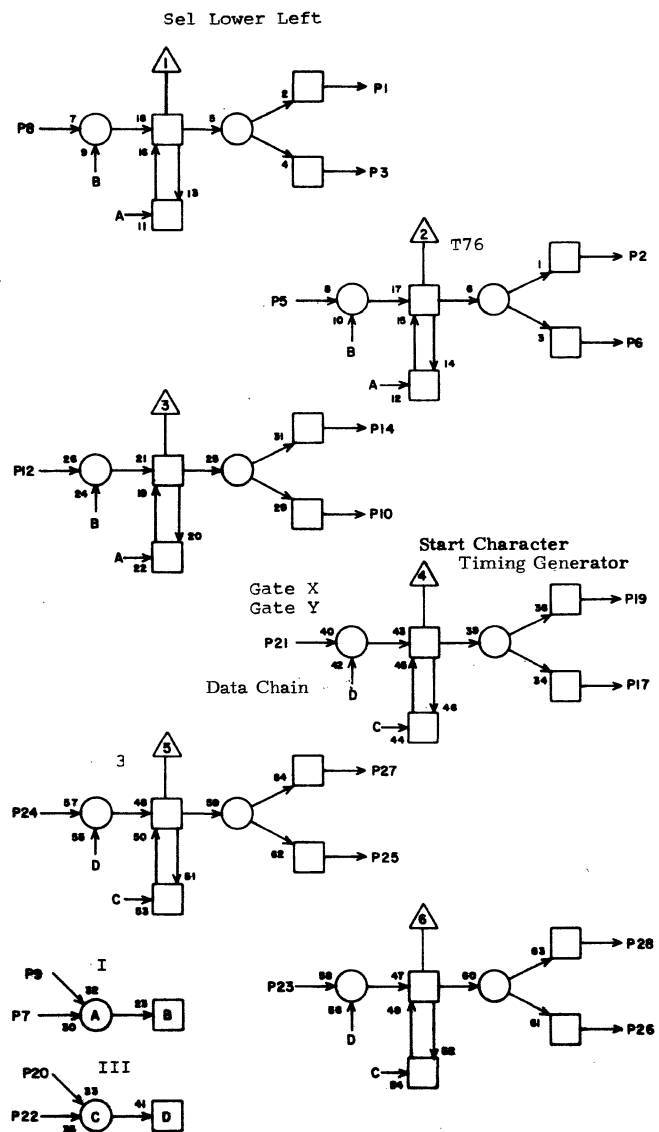


QH 12 I05

1	H06	18	7
2	L07	9	17
3	H06	13	5
4	J23	17	21
5	I13	24	11
6	I10	20	9
7	I06	17	5
8	I05	x	2
9	I10	18	9
10	J23	20	21
11	L15	1	17
12	L17	2	19
13	L10	21	17
14	I03	10	5
15	I05	x	2
16	L07	23	15
17	L17	4	19
18	L10	9	15
19	I05	23	3
20	I05	x	2
21	J23	18	21
22	I05	x	2
23	I05	19	3
24	L10	20	15
25	L17	15	17
26	L12	10	15
27	I05	x	2
28	I08	15	7

JACK PIN LG

63016700 Rev. F



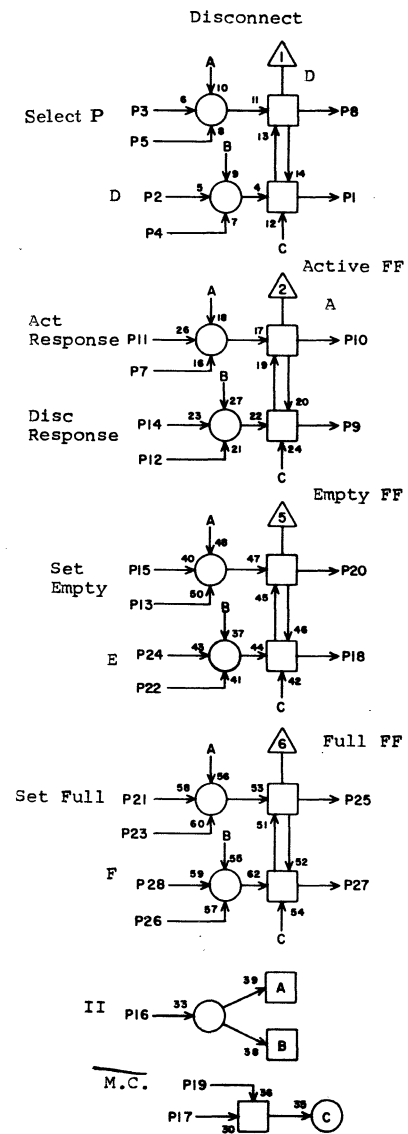
12I06

PA 12I06

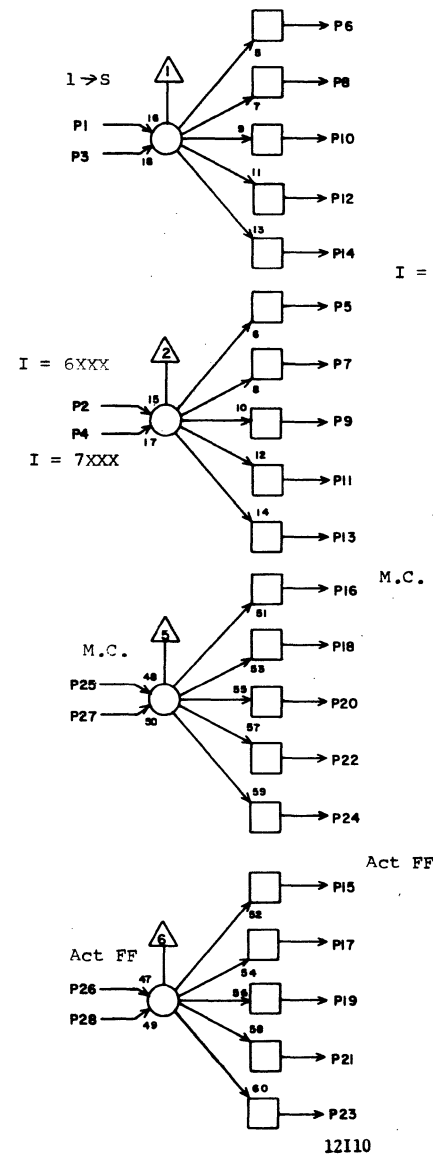
1	I06	24	5
2	I03	22	5
3			
4			
5	I06	28	5
6	J08	2	9
7	GND	X	2
8	H06	25	5
9	J05	10	9
10			
11			
12	I06	27	5
13			
14	I06	23	5
15			
16			
17	I05	7	5
18			
19	J10	8	9
20	J04	9	5
21	L14	18	17
22	GND	X	2
23	I06	14	5
24	I06	1	5
25	H06	23	7
26			
27	I06	12	5
28	I06	5	5

JACK PIN LG

63016700 Rev. F



AE		14 IO8	
JACK	PIN	LG	
1			
2	I11	3	5
3	H04	13	7
4	GND	X	2
5	GND	X	2
6			
7	GND	X	2
8	I11	8	5
9			
10	I10	26	5
11	H01	5	11
12	GND	X	2
13	I10	17	5
14	H01	11	11
15	IO5	28	7
16	JO5	20	9
17	GND	X	2
18			
19	I13	22	9
20	I11	5	7
21	K38	25	31
22	GND	X	2
23	GND	X	2
24	I11	6	5
25	I11	12	5
26			
27			
28	I11	10	5



I = 6XXX 7XXX

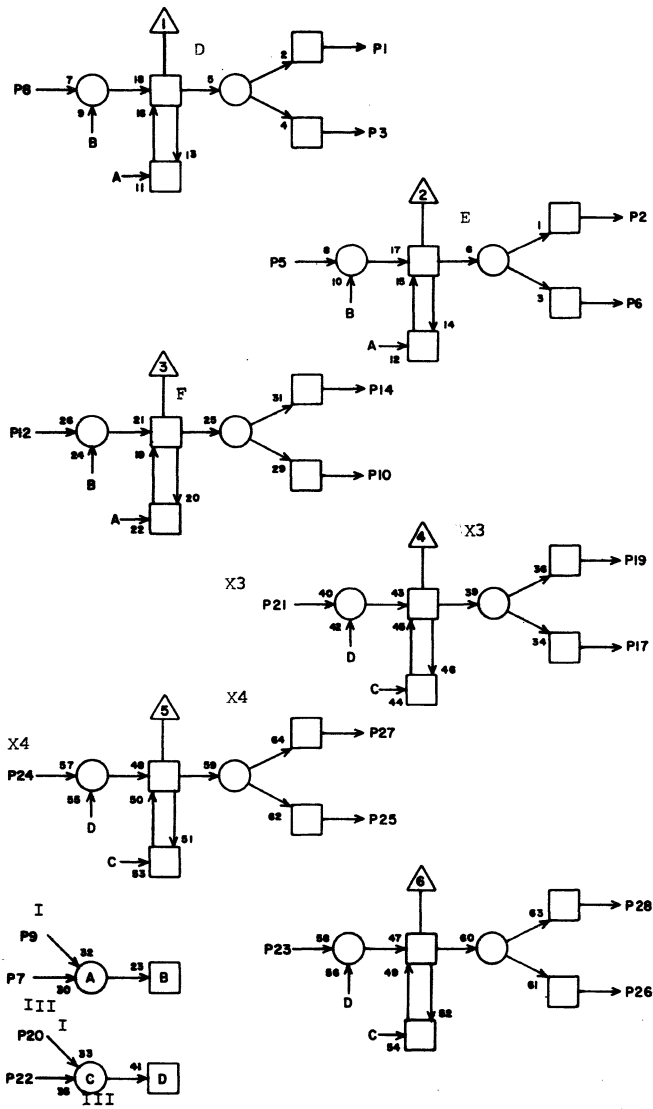
M.C.

Act FF

12110

1	H04	14	11
2	K08	2	13
3	GND	X	2
4	K08	28	13
5	K09	24	13
6	G05	16	13
7			
8	G06	16	11
9			
10	K09	16	13
11			
12			
13			
14			
15	H04	21	11
16	I04	12	9
17	I08	13	5
18	I05	9	9
19	K27	1	21
20	I05	6	9
21			
22			
23			
24			
25	H02	9	13
26	I08	10	5
27	GND	X	2
28	GND	X	2

JACK PIN LG
63016700 Rev. F



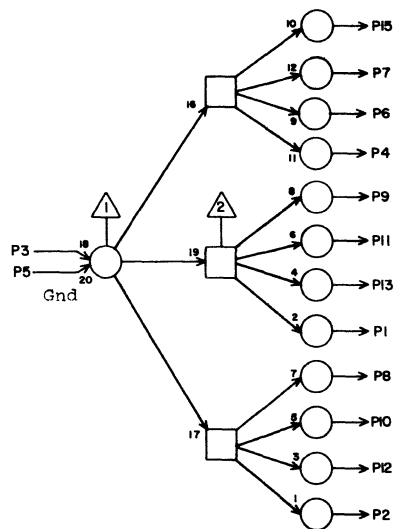
PA 121 11

1	K06	24	15
2	K06	7	15
3	I08	2	5
4			
5	I08	20	7
6	I08	24	5
7	J04	10	13
8	I08	8	5
9	I11	X	2
10	I08	28	5
11			
12	I08	25	5
13			
14	K06	5	15
15			
16			
17	I04	25	11
18			
19	L14	2	15
20	I11	X	2
21	L19	12	17
22	J04	8	11
23			
24	L19	9	17
25			
26			
27	J09	1	7
28			

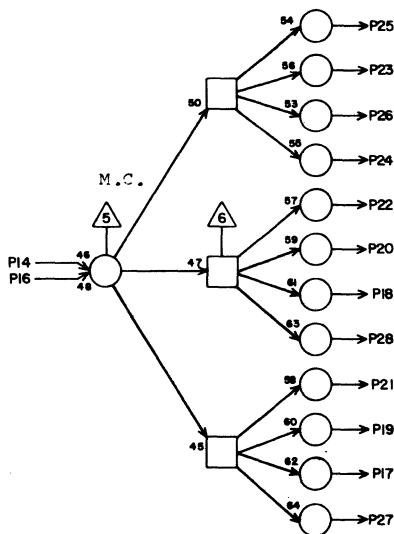
JACK PIN LG

63016700 Rev. F

T III = 00



M.C.

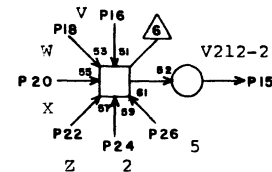
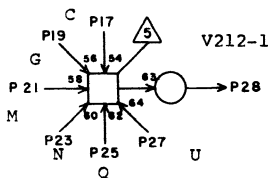
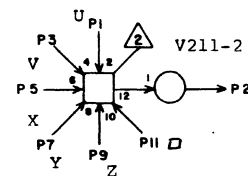
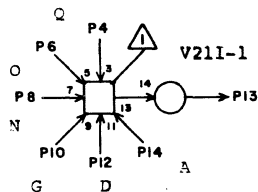


TC 12113

1	J16	20	9
2			
3	J03	22	15
4	J12	20	9
5	GND	X	2
6	J11	20	9
7	K36	21	25
8	J17	20	9
9	J13	20	9
10	J10	20	9
11	J14	20	9
12	K36	24	25
13	J15	20	9
14	H02	11	15
15			
16	GND	X	2
17			
18	G06	13	13
19	L05	21	17
20	G05	13	15
21	L06	21	17
22	I08	19	9
23	L12	7	45
24	I05	5	11
25	L12	3	13
26			
27	I04	14	13
28	K09	13	11

JACK PIN LG

63016700 Rev. F



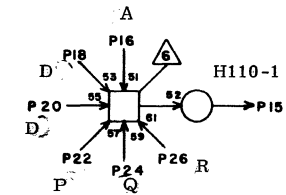
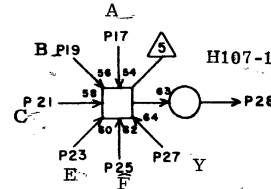
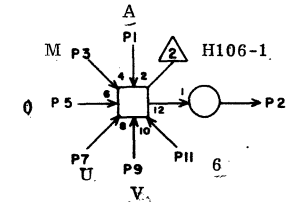
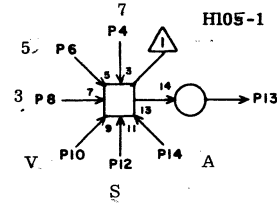
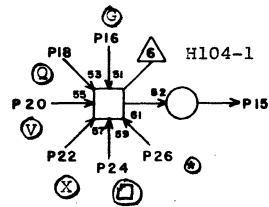
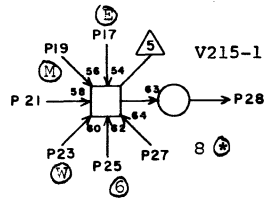
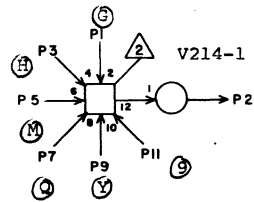
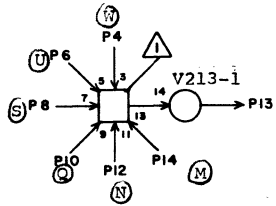
IP 12114

1	G27	11	17
2	I40	3	27
3	G28	13	17
4	G24	10	15
5	G30	11	19
6	G23	11	15
7	G31	10	21
8	H18	21	9
9	G32	4	21
10	G19	10	13
11	G33	13	21
12	G16	8	13
13	I40	1	27
14	G13	10	13
15	I39	17	25
16	G28	15	19
17	G15	15	13
18	G29	20	19
19	G19	15	13
20	G30	13	21
21	G22	15	15
22	G32	6	21
23	H18	24	11
24	G34	11	23
25	G24	11	15
26	G37	10	25
27	G27	13	17
28	I39	15	25

JACK PIN LG

63016700 Rev. F

12114

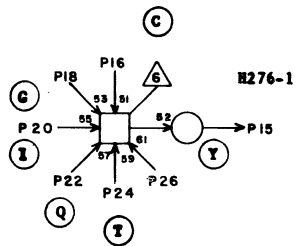
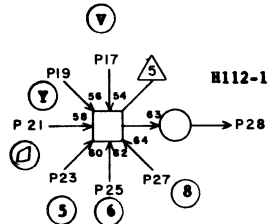
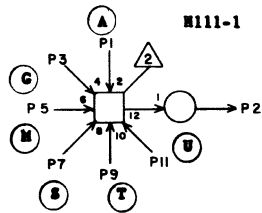
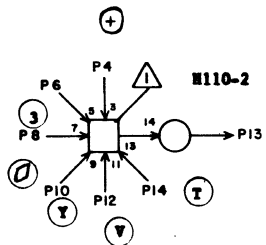


IP I2I5

JACK	PIN	LG
1	G19	18 11
2	I40	2 25
3	G20	10 13
4	G29	22 17
5	G22	17 13
6	G27	15 17
7	G24	15 15
8	G26	17 17
9	G31	13 19
10	G24	13 15
11	G40	24 27
12	H18	13 9
13	I41	14 27
14	G22	18 13
15	I42	21 27
16	G19	20 13
17	G17	8 13
18	G24	17 15
19	G22	20 13
20	G28	18 17
21		
22	G30	18 19
23	G29	24 17
24	G33	18 21
25	G38	22 25
26	G42	15 29
27	G42	11 29
28	I40	10 25

IP I2I6

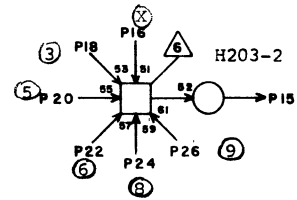
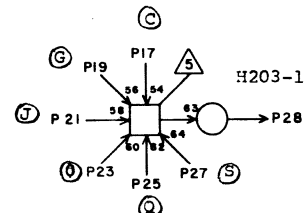
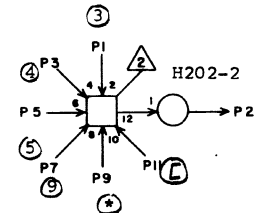
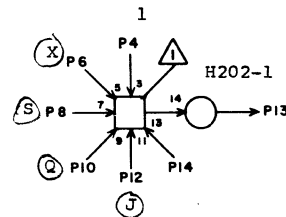
JACK	PIN	LG
1	G13	20 11
2	J25	1 13
3	G22	22 11
4	H22	20 11
5	G23	13 13
6	G37	11 23
7	G27	18 15
8	G35	13 23
9	G28	20 17
10	G28	17 17
11	G38	24 23
12	G26	20 15
13	I42	22 27
14	G13	17 11
15	J25	10 13
16	G13	24 11
17	G13	22 13
18	G16	10 13
19	G14	13 13
20	G21	13 13
21	G15	17 13
22	H19	22 9
23	G17	10 13
24	G24	20 15
25	G18	6 13
26	G25	13 15
27	G31	18 19
28	J25	2 13



IP 12117

JACK	PIN	LG
1	G13	26 11
2	I41	16 25
3	G19	22 11
4	G41	8 25
5	G22	24 11
6	G35	15 21
7	G26	22 13
8	G33	20 19
9	H20	20 9
10	G31	17 19
11	G27	17 15
12	G28	22 15
13	J25	12 13
14	H20	17 9
15	J33	15 19
16	G15	20 11
17	G28	26 15
18	G19	24 11
19	G31	20 19
20	G 9	22 15
21	G33	22 19
22	G24	22 13
23	G37	13 23
24	H20	19 9
25	G38	26 23
26	G31	24 19
27	G39	26 25
28	J25	15 13

63016700 Rev. F

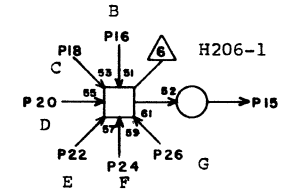
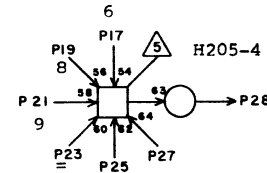
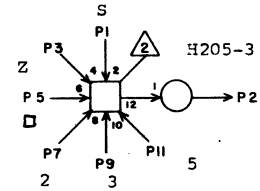
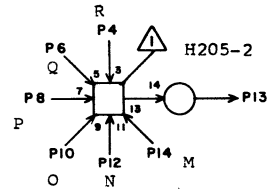
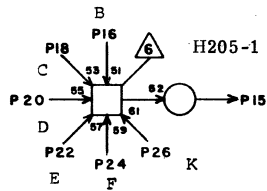
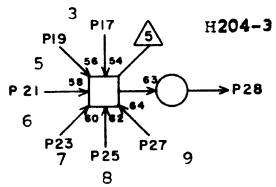
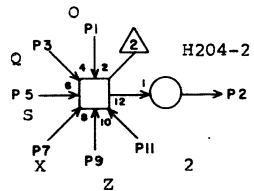
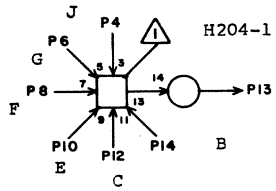


IP 12118

JACK	PIN	LG
1	G35	17 21
2	J27	17 15
3	G36	13 21
4	H21	23 7
5	G37	15 23
6	G30	20 17
7	G40	19 25
8	G26	24 13
9	G42	17 25
10	G24	24 13
11	H23	21 9
12	G10	10 15
13	J27	15 15
14		
15	J27	23 15
16	G30	22 17
17	G15	26 11
18	G35	20 21
19	G19	28 11
20	G37	18 23
21	G10	12 15
22	G38	28 23
23	G23	15 13
24	G39	19 23
25	G24	26 13
26	G40	21 25
27	G26	26 15
28	J27	21 15

63016700 Rev. F

12118



IP

12I19

1	G23	18	11
2	J26	17	13
3	G24	28	11
4	H25	22	9
5	G26	28	13
6	G19	19	11
7	G30	24	15
8	G18	8	11
9	G32	11	17
10	G17	13	11
11	G34	18	19
12	G15	28	11
13	J26	15	13
14	G14	17	13
15	J27	22	13
16	G14	20	13
17	G35	22	19
18	G15	19	13
19	G37	17	23
20	G16	11	13
21	G38	19	23
22	G17	15	11
23	H22	22	9
24	G18	10	13
25	G39	21	23
26	G21	18	13
27	G40	23	23
28	J26	19	13

JACK PIN LG

63016700 Rev. F.

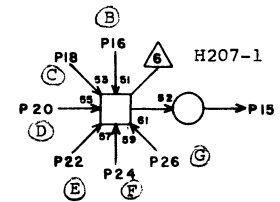
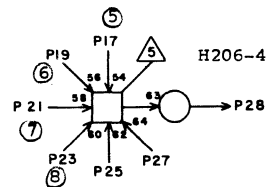
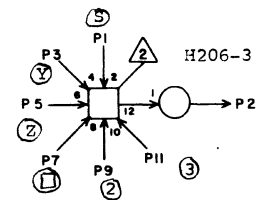
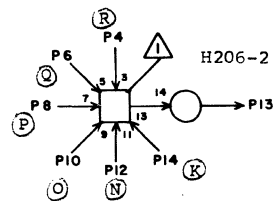
IP

12I20

1	G26	19	13
2	J27	26	13
3	G32	13	17
4	G25	18	11
5	G33	26	17
6	G24	19	11
7	G34	17	19
8	H19	23	5
9	G35	24	19
10	G23	17	11
11	G37	20	21
12	H18	15	7
13	J27	24	13
14	G22	26	11
15	J28	1	13
16	G14	22	13
17	G38	21	21
18	G15	21	13
19	G39	23	23
20	G16	13	13
21	G40	25	23
22	G17	18	13
23	H24	20	9
24	G18	11	13
25			
26	G19	21	13
27			
28	J27	28	13

JACK PIN LG

63016700 Rev. F.



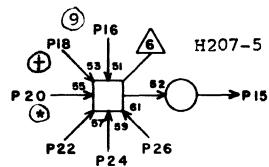
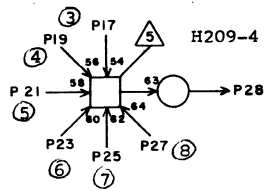
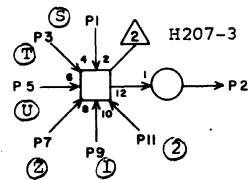
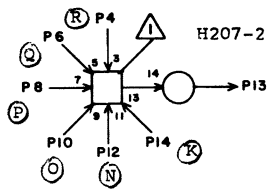
IP **12I22**

1	G26	21	11
2	J28	5	11
3	G31	26	13
4	G25	17	11
5	G32	15	15
6	G24	21	11
7	G33	28	15
8	H19	21	7
9	G34	20	17
10	G23	20	11
11	G35	26	17
12	H18	18	9
13	J28	3	11
14	G21	17	11
15	J29	14	11
16	G14	24	15
17	G37	22	19
18	G15	23	13
19	G38	23	21
20	G16	15	13
21	H22	23	7
22	G17	17	13
23	G39	25	21
24	G18	13	13
25			
26	G19	23	13
27			
28	J28	7	11

JACK PIN LG

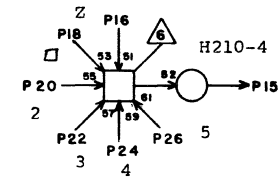
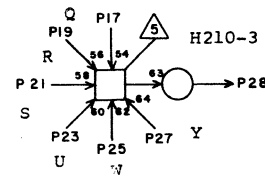
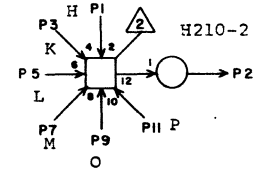
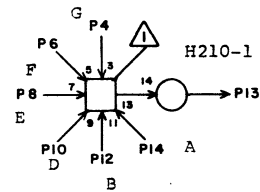
12I22

63016700 Rev. F



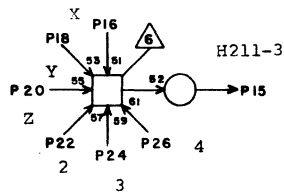
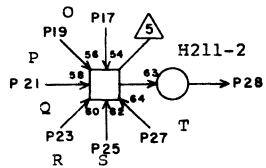
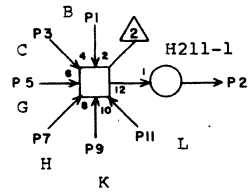
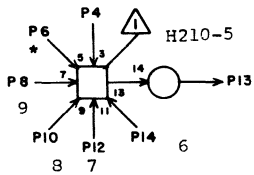
IP		12I23	
JACK	PIN	JACK	LG
1	G26	23	11
2	J29	10	11
3	H20	27	7
4	G25	20	11
5	G27	20	11
6	G24	23	9
7	G32	18	15
8	H19	24	7
9	H21	21	7
10	G23	22	11
11	G34	22	15
12	H18	25	9
13	J29	12	11
14	G21	20	11
15	J29	6	11
16	G12	16	17
17	G35	28	17
18	G41	13	21
19	G36	15	17
20	G42	24	21
21	G37	24	19
22			
23	G38	25	19
24			
25	H22	21	7
26			
27	G39	27	19
28	J29	8	11

63016700 Rev. F



IP		12I24	
JACK	PIN	JACK	LG
1	G20	17	11
2	J29	11	11
3	G21	22	11
4	G19	25	11
5	H17	22	11
6	G18	15	13
7	G22	28	11
8	G17	20	13
9	G23	24	11
10	G16	18	13
11	H19	13	9
12	G14	26	15
13	J29	13	11
14	G13	28	17
15	J29	7	11
16	G32	17	15
17	G24	25	11
18	G33	19	15
19	G25	22	13
20	G34	24	15
21	G26	25	13
22	G35	19	17
23	G27	22	13
24	G36	18	17
25	G29	25	13
26	G37	26	17
27	G31	28	15
28	J29	9	11

63016700 Rev. F

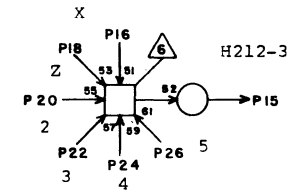
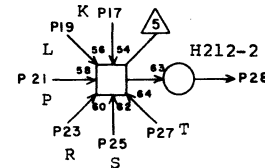
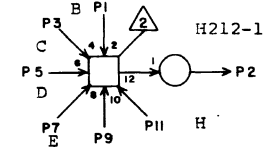
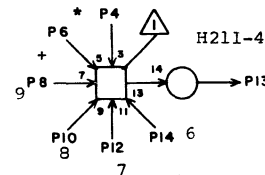


IP 1225

JACK	PIN	LG
1	G14	28 15
2	J29	16 11
3	G15	25 15
4		
5	G19	27 11
6	G42	26 21
7	G20	20 13
8	G12	18 17
9	G21	24 11
10	G10	25 19
11	H17	23 13
12	H22	24 7
13	J29	5 11
14	G12	2 17
15	J29	20 11
16	G30	26 13
17	G23	26 11
18	G31	19 13
19	H19	15 11
20	G32	20 13
21	G24	27 11
22	G34	26 15
23	G25	24 13
24	G35	21 17
25	G26	27 13
26	G36	17 17
27	H20	22 11
28	J29	18 11

JACK PIN LG

63016700 Rev. F



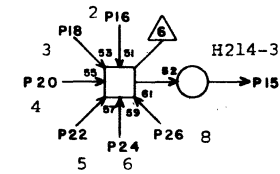
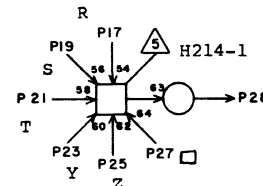
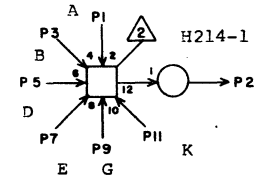
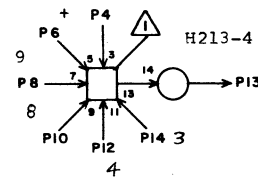
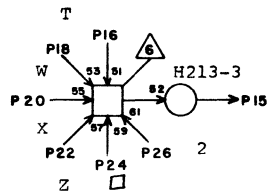
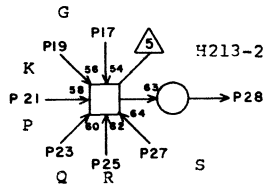
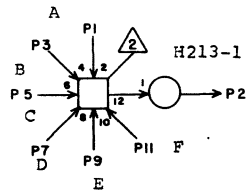
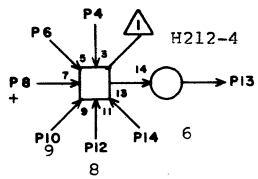
IP 12 I26

JACK	PIN	LG
1	G14	19 15
2	J28	2 9
3	H16	16 15
4	G42	28 19
5	G16	17 15
6	G41	15 19
7	G17	22 15
8	G12	20 17
9		
10	G10	23 19
11	G20	22 13
12	H22	13 9
13	J29	22 9
14	G12	4 19
15	J28	6 9
16	G30	28 13
17	G21	26 13
18	G32	22 13
19	H17	21 13
20	G34	28 15
21	H19	18 13
22	G35	23 15
23	G25	26 13
24	G36	20 15
25	H19	1 13
26	G37	28 17
27	H20	23 11
28	J28	4 9

JACK PIN LG

63016700 Rev. F

12126



IP 12 I27

1	G13	19	17
2	J28	21	9
3	G14	21	17
4			
5	H16	18	15
6			
7	G16	20	15
8	G41	18	17
9	G17	24	17
10	G12	22	19
11	G18	17	15
12	G10	26	19
13	J28	8	9
14	G12	6	19
15	J28	25	9
16	H20	21	11
17	H17	1	15
18	H26	22	7
19	G21	28	13
20	G30	19	13
21	H19	25	13
22	G32	24	13
23	H18	1	13
24	G33	21	15
25	G25	28	13
26	G34	19	15
27	H19	2	13
28	J28	23	9

JACK PIN LG

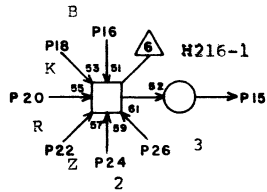
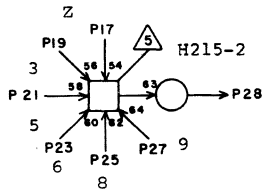
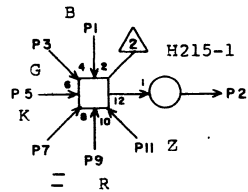
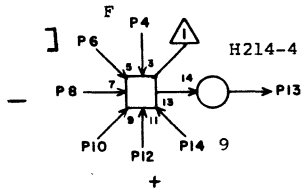
63016700 Rev. F.

IP 12 I28

1	G13	21	17
2	J28	22	9
3	G14	23	17
4			
5	G16	22	17
6	G41	17	17
7	G17	26	17
8	G12	17	19
9	H17	2	15
10	G10	24	21
11	G21	19	13
12	G36	22	15
13	J28	27	9
14	G35	25	15
15	J28	26	9
16	G34	21	15
17	G25	19	13
18	G35	27	15
19	H19	3	13
20	G36	24	15
21	H20	24	13
22	G37	19	15
23	G31	21	13
24	G12	9	19
25	G32	26	13
26	G10	22	23
27	G33	23	15
28	J28	24	9

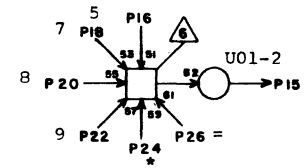
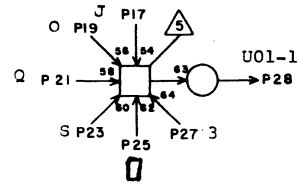
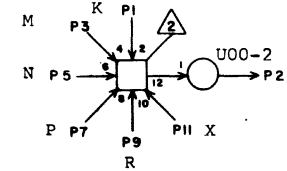
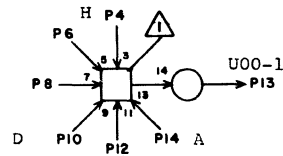
JACK PIN LG

63016700 Rev. F.



IP		12 I 29	
JACK	PIN	LG	
1	G14	25	17
2	J29	15	9
3	H17	3	15
4	G18	18	19
5	G21	21	13
6	G11	8	21
7	H24	19	15
8	H21	4	13
9	G25	21	13
10			
11	G32	28	11
12	G41	20	17
13	J28	28	9
14	G12	19	21
15	J30	14	9
16	G29	15	23
17	G34	23	13
18	G21	23	13
19	H20	1	15
20	G25	23	13
21	G37	21	15
22	G32	19	13
23	G12	11	21
24	G34	25	13
25	G10	20	23
26	H20	2	15
27	G12	21	21
28	J29	17	9

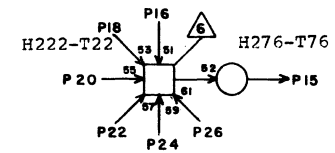
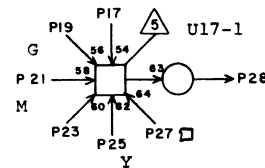
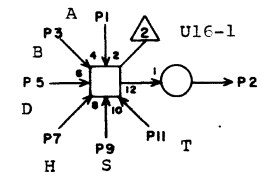
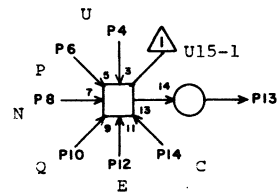
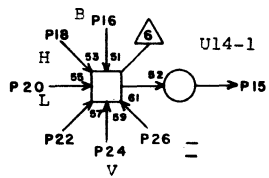
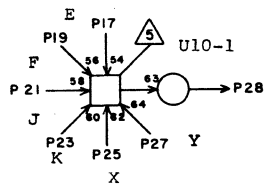
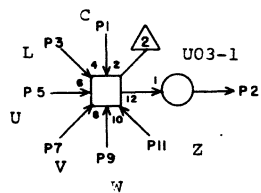
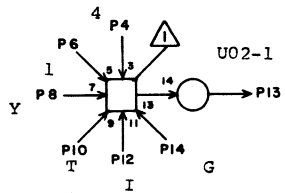
63016700 Rev. F



12I30

IP		12 I 30	
JACK	PIN	LG	
1	H25	2	9
2	J31	17	9
3	G22	19	13
4	G20	24	15
5	H18	26	15
6			
7	H19	26	15
8			
9	H26	14	9
10	G16	24	17
11	G30	21	11
12			
13	J31	15	9
14	G13	23	19
15	J31	2	5
16	G37	25	13
17	H25	21	11
18	H22	15	13
19	G23	28	13
20	G10	17	23
21	H18	3	15
22	G12	24	21
23	H19	4	15
24	G42	23	17
25	G33	25	13
26	H24	23	9
27	H20	3	15
28	J31	1	5

63016700 Rev. F

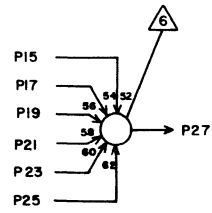
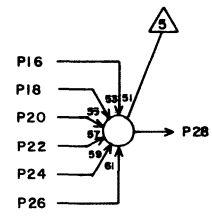
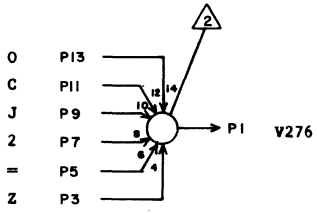
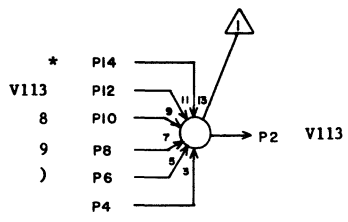


IP		12 I31	
JACK	PIN	LG	
1	H16	20	17
2	J31	21	9
3	H17	24	17
4	G36	26	11
5	G27	24	11
6	H21	24	13
7	G28	28	13
8	G31	23	11
9	H26	21	9
10	H20	13	15
11	G32	21	11
12	G09	20	23
13	J31	2	5
14	H17	4	17
15	J32	15	7
16	G09	13	23
17	G17	25	19
18	G20	19	17
19	G18	22	17
20	H17	13	17
21	H25	15	11
22			
23	H25	10	13
24	G28	19	13
25	G30	25	13
26	H24	13	13
27	H25	23	11
28	J32	10	5

63016700 Rev. F

IP		12 I32	
JACK	PIN	LG	
1	H25	8	13
2	J32	22	9
3	G09	1	25
4	G27	26	11
5	G16	26	19
6	H19	28	17
7	G20	21	17
8	H18	28	17
9	H19	5	17
10	H18	5	17
11	H20	25	15
12	H25	9	13
13	J32	21	9
14	H16	22	19
15	K25	28	15
16	J25	18	13
17			
18	K16	16	19
19	H17	5	17
20			
21	G22	21	15
22			
23			
24			
25	H25	19	15
26			
27	G33	27	13
28	J33	13	5

63016700 Rev. F

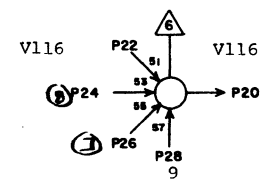
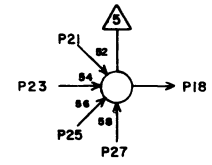
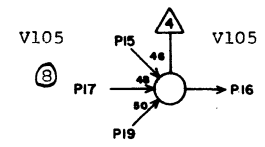
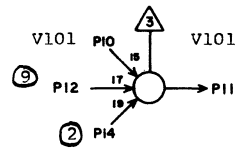
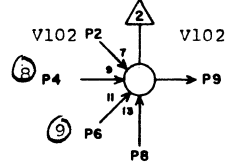
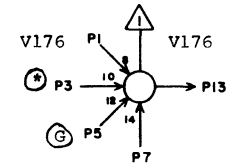


TA 12 I33

1	J34	21	9
2	J37	22	9
3	G32	7	13
4			
5	H24	11	13
6	G11	15	25
7	G34	6	15
8	G40	8	15
9	G10	6	27
10	G39	10	13
11	G15	6	23
12	H34	28	9
13	G23	5	19
14	H26	20	15
15			
16			
17			
18			
19			
20			
21			
22			
23			
24			
25			
26			
27			
28			

JACK PIN LG

63016700 Rev. F



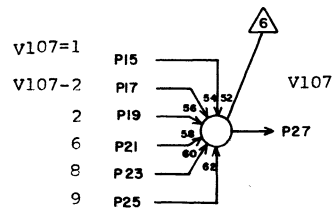
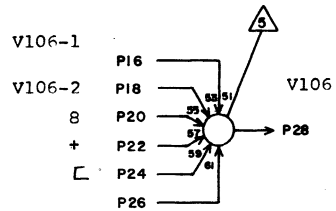
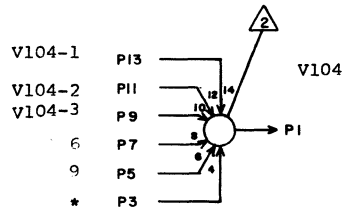
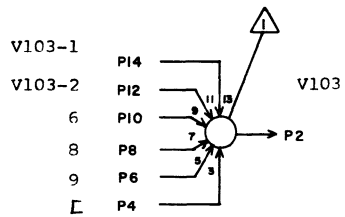
12I34

TI 12I34

1	H30	13	9
2	H30	28	9
3	G42	1	15
4	G39	3	13
5	G19	1	19
6	G40	5	13
7			
8			
9	J36	10	7
10	H30	2	9
11	J36	2	7
12	G40	3	15
13	J36	1	5
14	G34	1	13
15	H32	13	9
16	J36	22	9
17	G39	7	13
18			
19			
20	J38	10	9
21			
22	H35	13	9
23			
24	G39	13	13
25			
26	G11	7	25
27			
28	G11	20	25

JACK PIN LG

63016700 Rev. F

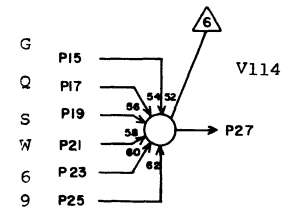
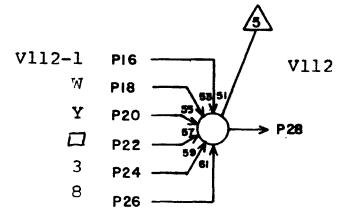
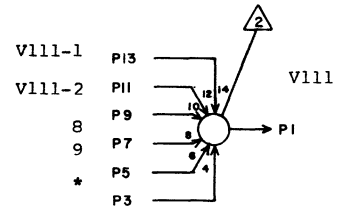
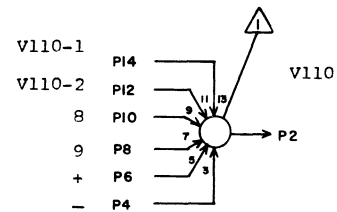


TA 12I35

1	J36	21	9
2	J36	15	9
3	G42	3	13
4	H23	11	15
5	G40	2	13
6	G40	7	13
7	G38	5	13
8	G39	5	13
9	H31	15	11
10	G38	3	13
11	H31	28	11
12	H31	13	11
13	H31	2	11
14	H30	15	9
15	H32	15	9
16	H32	2	9
17	H33	13	9
18	H32	28	9
19	G34	9	13
20	G39	9	13
21	G38	9	13
22	G41	1	15
23	G39	2	13
24	H23	12	15
25	G40	9	13
26			
27	J37	2	5
28	J37	1	5

JACK PIN LG

63016700 Rev. F

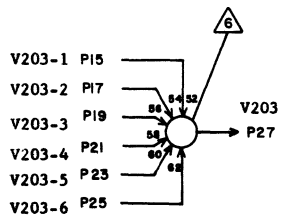
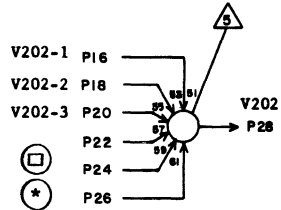
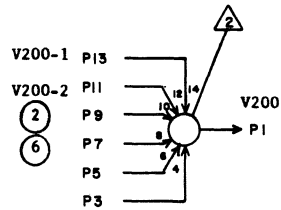
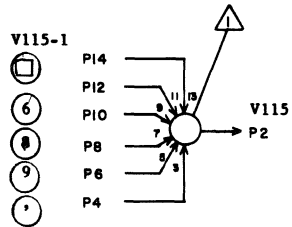


TA 12I36

1	J37	15	9
2	J37	10	9
3			
4	H21	1	19
5	G42	5	13
6	G41	3	13
7	G40	6	13
8	G40	4	13
9	G39	6	13
10	G39	8	13
11	H34	13	9
12	H33	28	9
13	H33	15	9
14	H33	2	9
15	G19	4	21
16	H34	2	9
17	G24	5	17
18	G29	7	15
19	G26	13	15
20	G31	7	13
21	G29	9	15
22	G33	9	13
23	G38	6	13
24	G35	6	15
25	G40	10	13
26	G39	4	13
27	J38	1	9
28	J37	21	9

JACK PIN LG

63016700 Rev. F

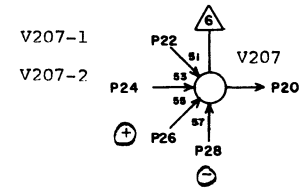
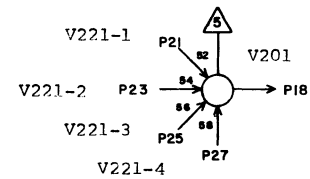
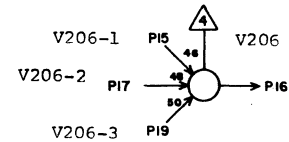
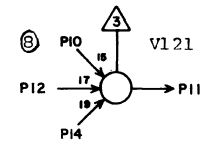
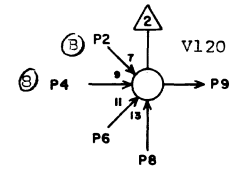
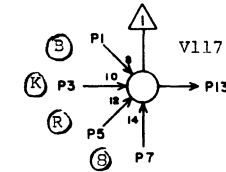


TA 12137

1	J39	1	7
2	J38	2	7
3			
4	G11	25	27
5			
6	G40	11	11
7	G38	11	11
8	G39	11	11
9	G34	8	13
10	G38	8	11
11	H35	28	9
12	G33	4	13
13	H35	2	9
14	H34	15	9
15	H37	28	9
16	H36	15	9
17	H37	15	9
18	H37	13	9
19	H38	13	9
20	H37	2	9
21	H38	2	9
22			
23	H38	28	9
24	G33	6	13
25	H38	15	9
26	G42	7	15
27	J39	15	7
28	J39	10	5

JACK PIN LG

63016700 Rev. F



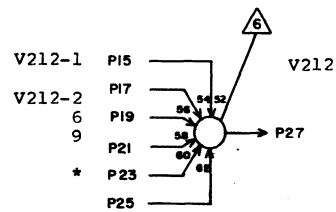
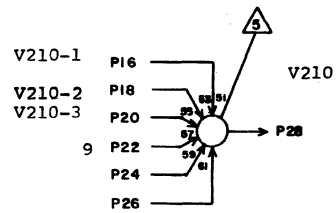
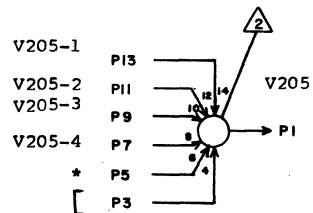
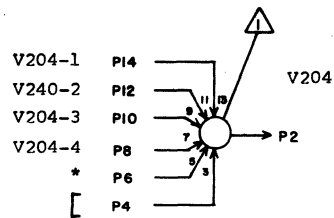
12138

TI 12138

1	G14	2	25
2	G14	4	25
3	G21	4	21
4	G39	15	11
5	G25	4	17
6			
7	G39	18	11
8			
9	J38	21	9
10	G39	17	9
11	J38	22	9
12			
13	J38	15	9
14			
15	H41	13	9
16	J40	1	5
17	H41	2	9
18	J39	2	5
19	H41	28	11
20	J40	2	5
21	H35	15	9
22	H41	15	11
23	H36	13	9
24	H42	13	9
25	H36	2	11
26	G41	4	13
27	H36	28	11
28	H21	2	19

JACK PIN LG

63016700 Rev. F

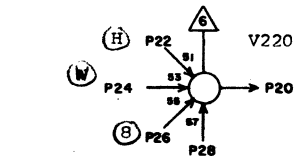
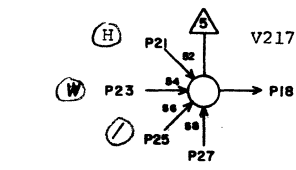
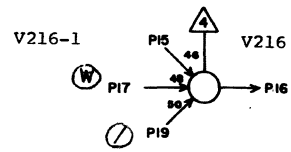
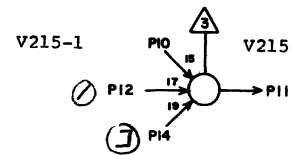
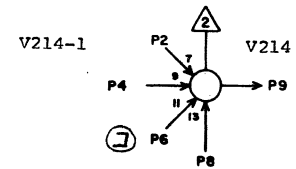
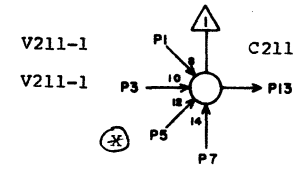


TA 12139

1	J39	22	9
2	J39	21	9
3	H23	9	19
4	H23	10	21
5	G42	4	13
6	G42	2	13
7	H40	15	9
8	H39	15	9
9	H40	28	9
10	H39	28	9
11	H40	2	9
12	H39	2	9
13	H40	13	9
14	H39	13	9
15	I14	28	25
16	H42	2	9
17	I14	15	25
18	H42	28	11
19	G38	17	13
20	H42	15	11
21	G40	22	13
22	G40	20	13
23	G42	8	13
24			
25			
26			
27	J40	21	5
28	J40	10	5

JACK PIN LG

63016700 Rev. F

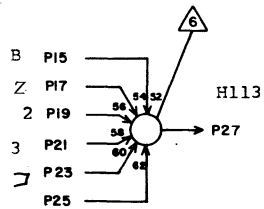
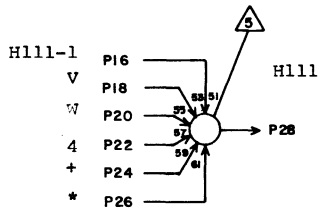
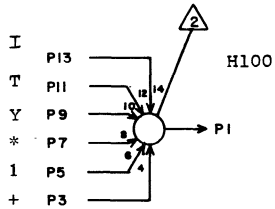
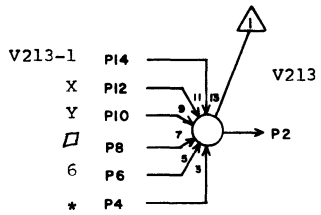


TI 12140

1	I14	13	27
2	I15	2	25
3	I14	2	27
4			
5	G42	6	11
6	G11	6	29
7			
8			
9	J41	1	5
10	I15	28	25
11	J41	2	5
12	H22	1	21
13	J40	15	7
14	G11	4	29
15	H29	13	15
16	J41	15	5
17	G29	26	17
18	J41	15	7
19	H22	3	21
20	J41	21	7
21	G20	13	23
22	G20	15	23
23	G29	28	17
24	G29	19	17
25	H22	2	21
26	G39	22	13
27			
28			

JACK PIN LG

63016700 Rev. F



TA 12I41

1	J42	2	7
2	J40	22	9
3	G41	6	11
4	H26	18	21
5	H21	19	23
6	G38	20	11
7	G42	13	11
8	G33	15	13
9	G31	15	17
10	G31	11	17
11	H20	9	23
12	G30	15	17
13	G09	24	33
14	I15	13	27
15	G14	15	27
16	I17	2	25
17	G32	10	15
18	G28	24	17
19	G34	15	15
20	G29	21	17
21	G35	18	15
22	G36	8	13
23	G11	9	31
24	G41	10	11
25			
26	G42	18	13
27	K12	22	29
28	K12	15	29

JACK PIN LG

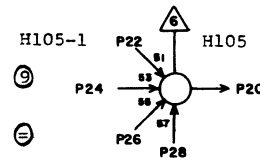
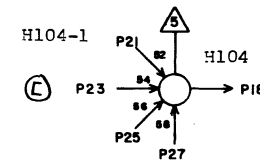
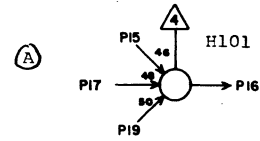
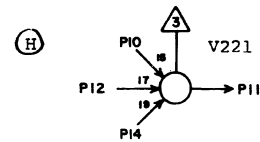
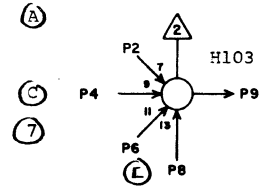
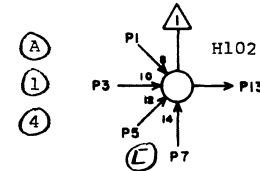
63016700 Rev. F

TI 12I42

1	G13	15	29
2	G13	18	29
3	H21	27	23
4	G15	18	27
5	G36	6	11
6	H22	17	23
7	H23	17	23
8	H23	20	23
9	J42	15	7
10	G20	18	25
11	J41	22	9
12			
13	J42	10	5
14			
15	G13	13	29
16	J42	1	5
17			
18	J42	21	7
19			
20	J42	22	7
21	I15	15	27
22	I16	13	27
23	H23	19	23
24	G40	26	11
25			
26	H24	12	23
27			
28			

JACK PIN LG

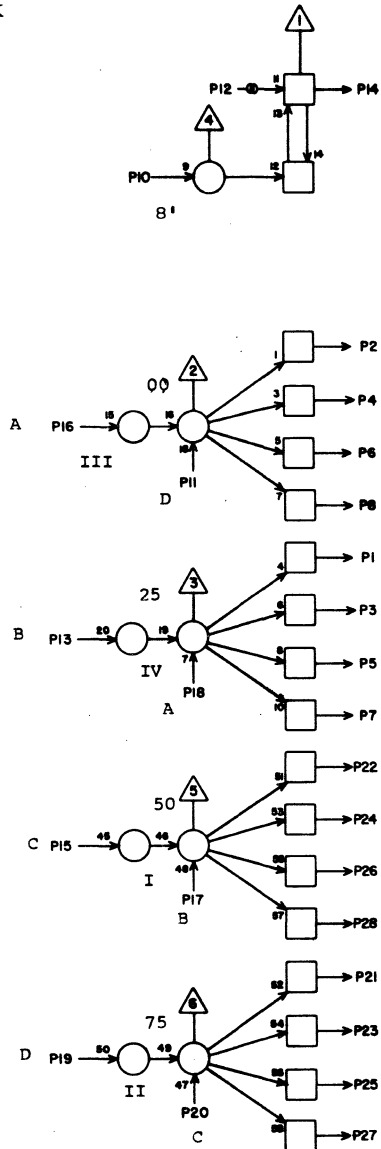
63016700 Rev. 4F



12I42

1
2
3
4
5
6
7

CLOCK



HQ

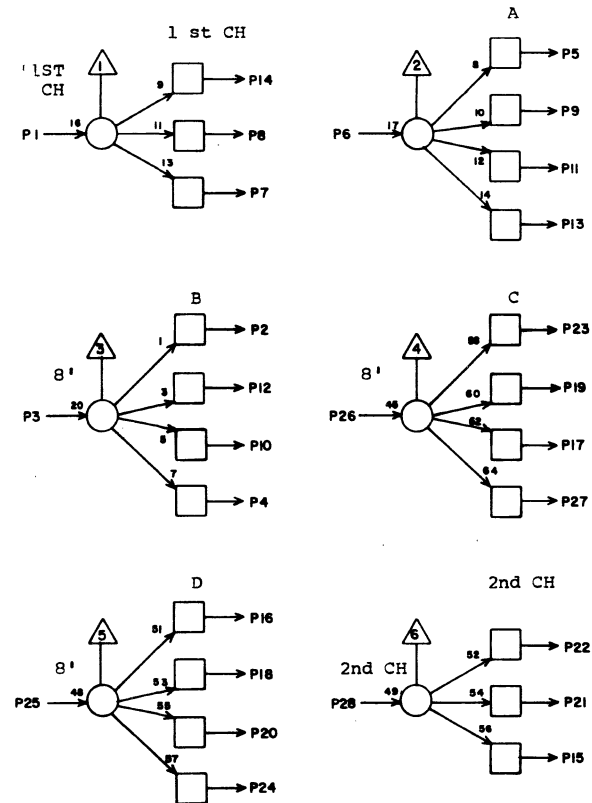
12J01

1			
2			
3			
4			
5	J03	13	5
6	J03	16	5
7			
8			
9			
10	J02	11	96
11	J02	16	3
12	12W15	906	
13	J02	12	3
14	J02	6	5
15	J02	19	5
16	J02	9	5
17	J02	2	5
18	J02	5	5
19	J02	18	3
20	J02	23	5
21			
22			
23	J03	19	5
24	J03	15	5
25			
26			
27			
28			

JACK PIN LG

63016700 Rev. F

CLOCK



TM

12J02

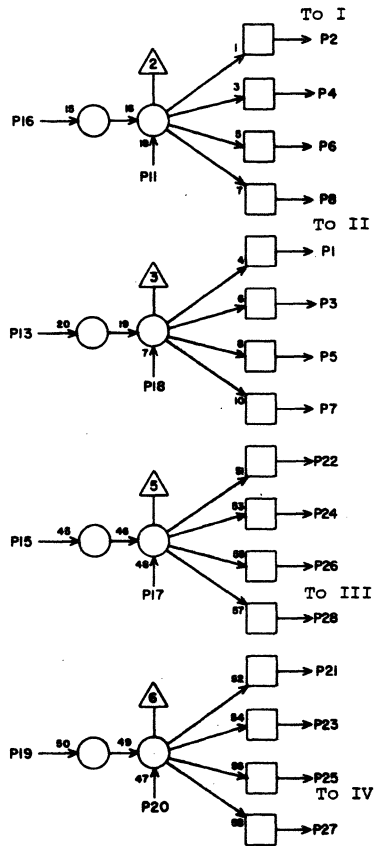
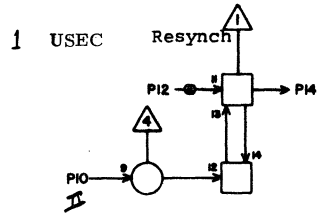
1	H06	3	13
2	J01	17	5
3	J02	13	96
4	J02	26	96
5	J01	18	5
6	J01	14	5
7			
8	L07	5	13
9	J01	16	5
10			
11	J01	10	96
12	J01	13	3
13	J02	3	96
14	I04	7	9
15			
16	J01	11	3
17			
18	J01	19	3
19	J01	15	5
20			
21	L12	4	15
22	I04	9	9
23	J01	20	5
24			
25	J02	27	96
26	J02	4	96
27	J02	25	96
28	H06	26	13

JACK PIN LG

63016700 Rev. F

12J02

CLOCK



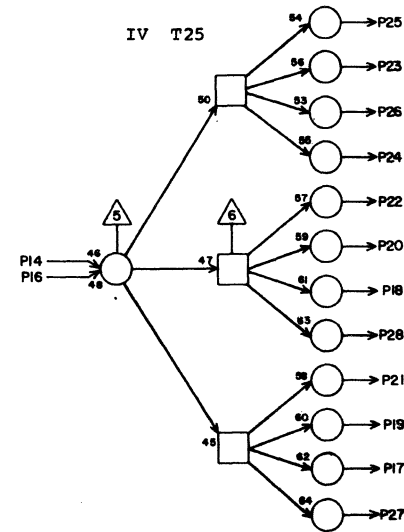
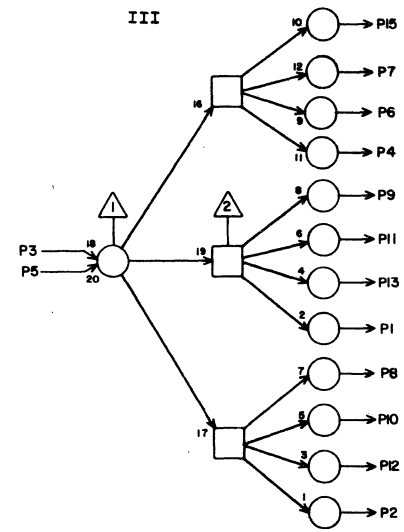
HQ 12J03

1	K07	14	9
2	K07	3	9
3	L37	12	33
4			
5			
6	J05	3	5
7	J05	14	5
8			
9			
10	J05	27	5
11	GND	X	2
12	(12W15 907)		
13	J01	5	5
14	K10	6	11
15	J01	24	5
16	J01	6	5
17	GND	X	2
18	GND	X	2
19	J01	23	5
20	GND	X	2
21	L33	12	29
22	I13	3	15
23	J04	14	5
24	J04	3	5
25			
26			
27			
28			

JACK PIN LG

63016700 Rev. F

CLOCK



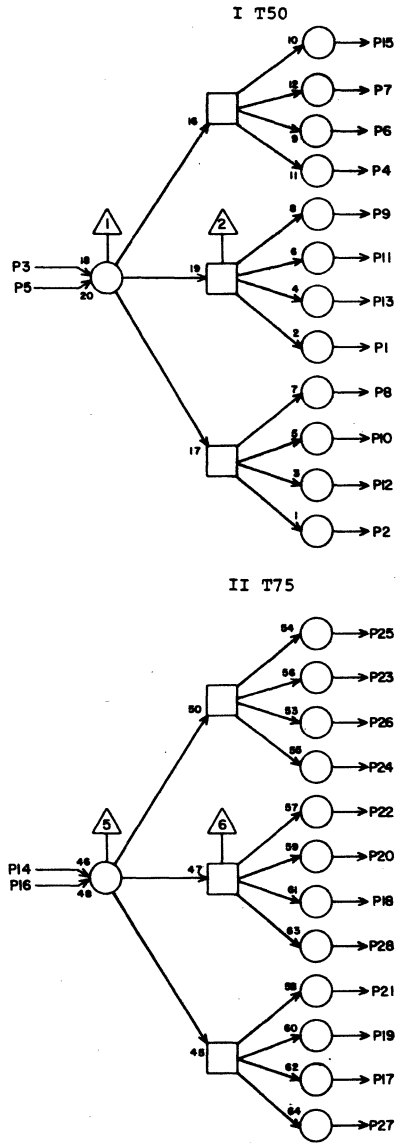
TC 12J04

1			
2	K39	16	33
3	J03	24	5
4			
5	GND	X	2
6			
7			
8	I11	22	11
9	I06	20	5
10	I11	7	13
11	J09	23	9
12	J09	24	9
13			
14	J03	23	5
15	H06	7	13
16	GND	X	2
17	J07	18	5
18			
19	J07	11	9
20			
21			
22			
23			
24			
25			
26	K26	16	23
27			
28			

JACK PIN LG

63016700 Rev. F

CLOCK

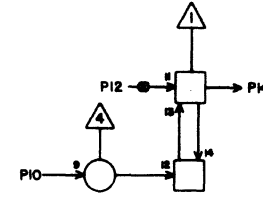


TC **12J05**

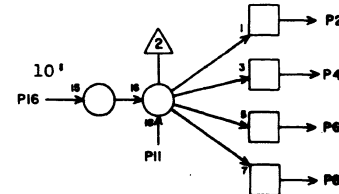
1	K02	18	11
2	J17	7	15
3	J03	6	5
4	J13	7	11
5	GND	X	2
6	J12	7	11
7	J11	7	9
8	K03	18	9
9	J14	7	13
10	I06	9	9
11	J15	7	13
12	J16	7	15
13	K01	18	9
14	J03	7	5
15	J10	7	9
16	GND	X	2
17	H06	8	13
18	H01	12	13
19			
20	I08	16	9
21			
22	G04	22	13
23	G01	12	17
24	G04	7	17
25	G02	12	17
26	G03	12	17
27	J03	10	5
28	H02	12	13
	JACK	PIN	LG

63016700 Rev. F

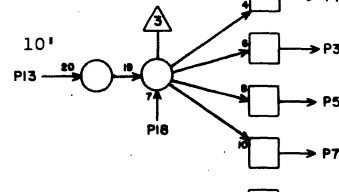
HQ **12J06**



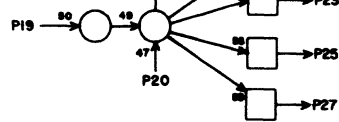
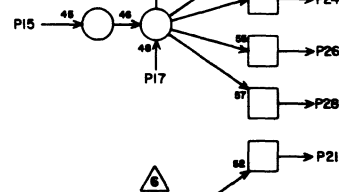
One shot Start CH



1 St CH 1 Shot



MC + T26

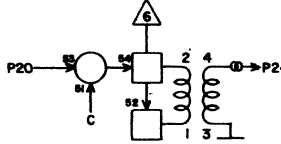
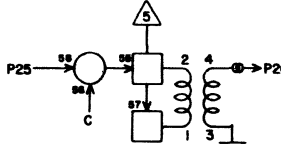
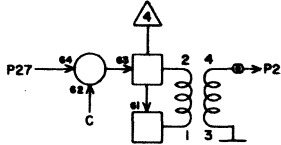
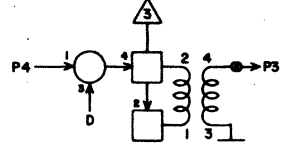
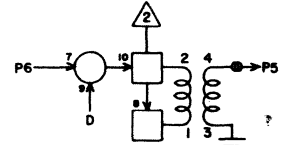
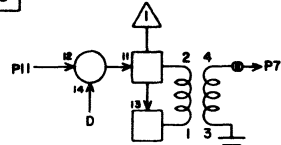
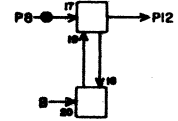
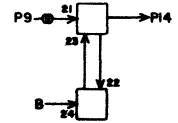
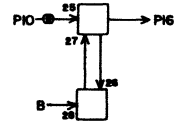
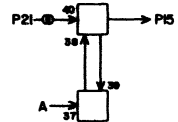
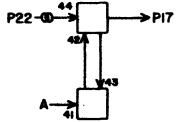
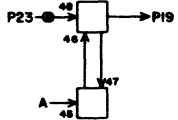
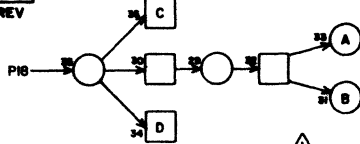


12J06

1			
2	I03	23	11
3			
4	L07	7	13
5			
6	H06	22	9
7	H06	12	11
8			
9			
10			
11	J08	16	5
12			
13	L10	17	120
14			
15	I04	3	15
16	J08	14	120
17	GND	X	2
18	L10	19	13
19			
20			
21			
22			
23			
24	K28	19	23
25			
26	L02	16	33
27			
28	L28	16	23
	JACK	PIN	LG

63016700 Rev. F

LS 63060900
ASSY REV C



QJ

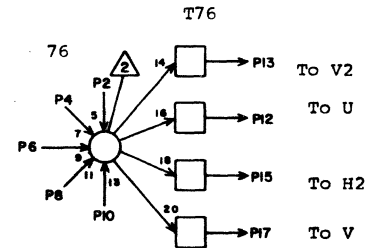
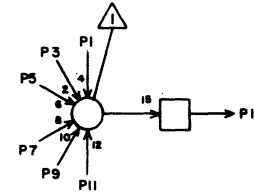
12J07

1			
2			
3			
4			
5	W17	907	
6	K10	5	11
7	W17	906	
8			
9			
10			
11	J4-19	9	
12			
13			
14			
15			
16			
17			
18	J4-17	5	
19			
20			
21			
22			
23			
24			
25			
26			
27			
28			

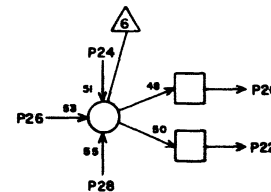
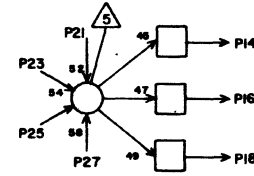
JACK PIN LG
CIRCUIT SPECIFICATION 11827600

63016700 Rev. B

TB 12J08



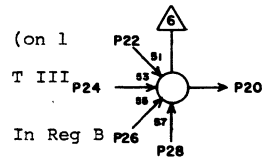
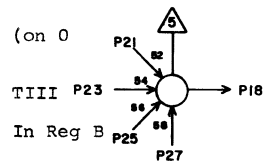
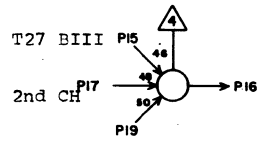
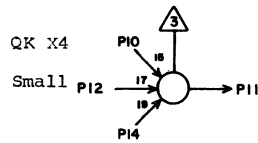
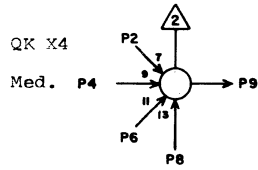
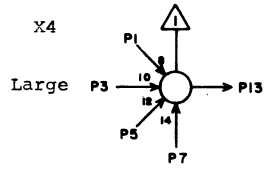
1S + CH + 2nd CH



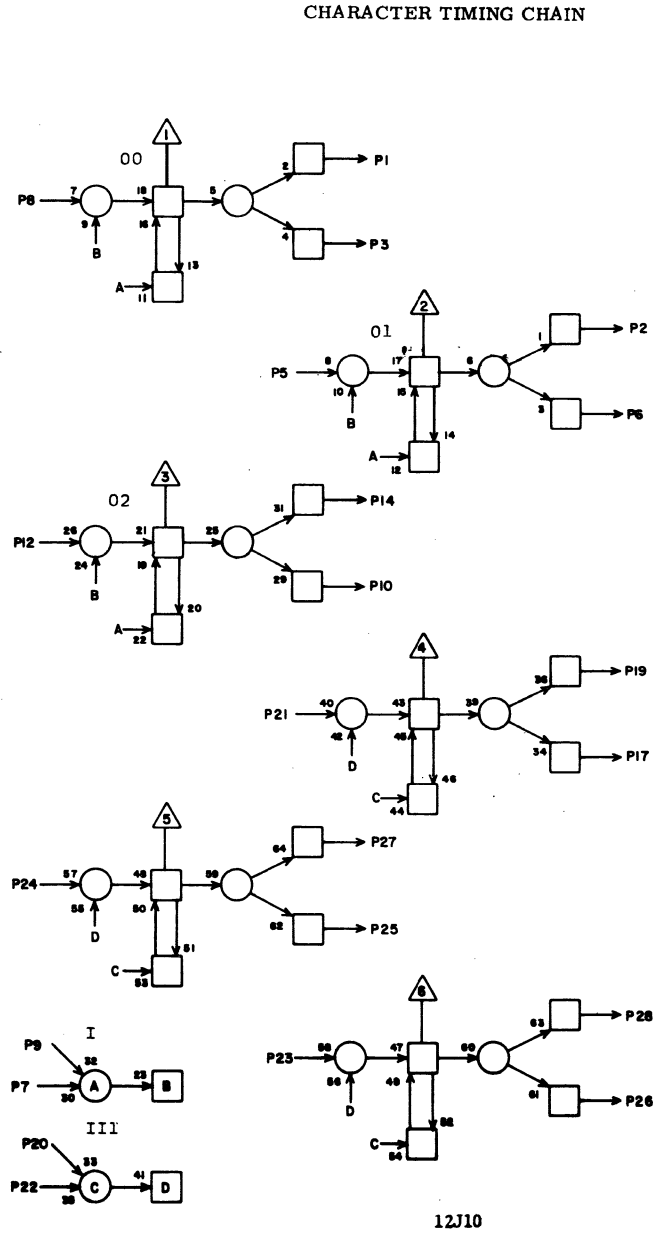
1			
2	I06	6	9
3			
4			
5			
6			
7			
8			
9			
10			
11			
12	J34	24	27
13	J34	23	27
14	J06	16	10*
15	J25	23	19
16	J06	11	5
17	J36	3	29
18			
19			
20			
21	I04	11	9
22			
23	GND	X	2
24			
25	GND	X	2
26			
27	GND	X	2
28			

JACK PIN LG

63016700 Rev. F



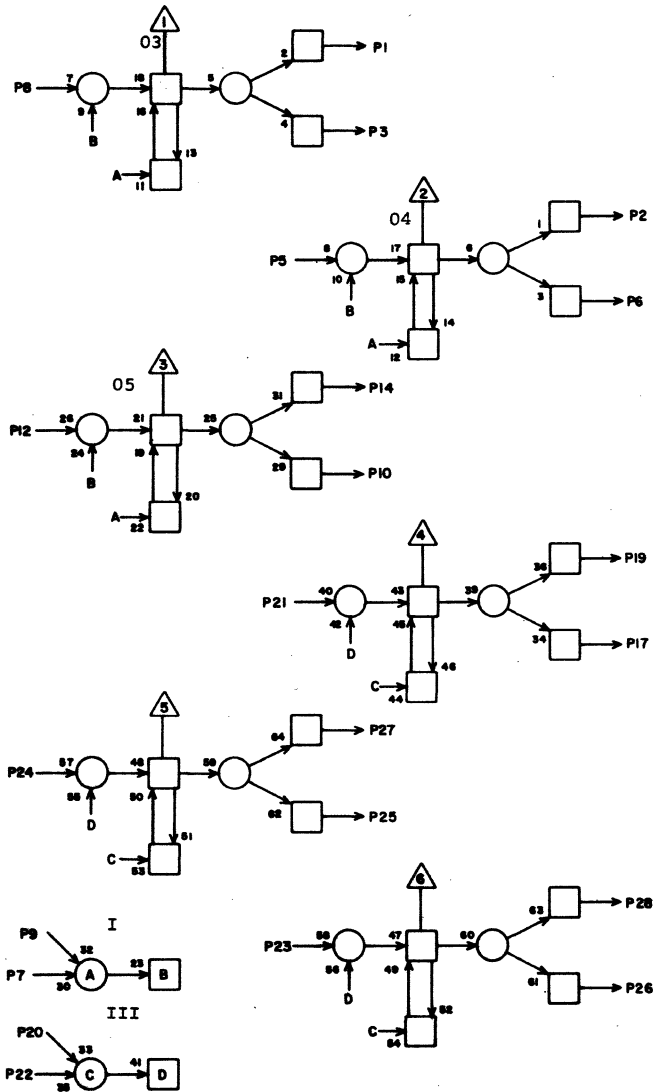
TI		12J09	
JACK	PIN	LG	
1	I11	27	7
2	L15	22	15
3	L13	20	15
4	L13	7	13
5	GND	X	2
6	GND	X	2
7	GND	X	2
8	GND	X	2
9	L14	3	13
10	L15	21	15
11	L14	5	13
12	L13	6	13
13	L14	1	13
14	GND	X	2
15	J17	28	11
16	J20	26	15
17	HO6	19	13
18	LO5	11	15
19	GND	X	2
20	LO6	11	15
21	IO3	18	13
22	IO3	20	13
23	JO4	11	9
24	JO4	12	9
25	K38	28	31
26	K38	26	31
27	GND	X	2
28	GND	X	2



PA		12 J10	
JACK	PIN	LG	
1	J10	21	5
2	J10	24	5
3	J18	1	11
4			
5	J10	19	5
6	J18	2	11
7	JO5	15	9
8	IO6	19	9
9	GND	X	2
10	J18	25	11
11			
12	J10	27	5
13			
14	J10	23	5
15			
16			
17			
18			
19	J10	5	5
20	I13	10	9
21	J10	1	5
22	GND	X	2
23	J10	14	5
24	J10	2	5
25			
26			
27	J10	12	5
28	J11	8	5

63016700 Rev. F

CHARACTER TIMING CHAIN



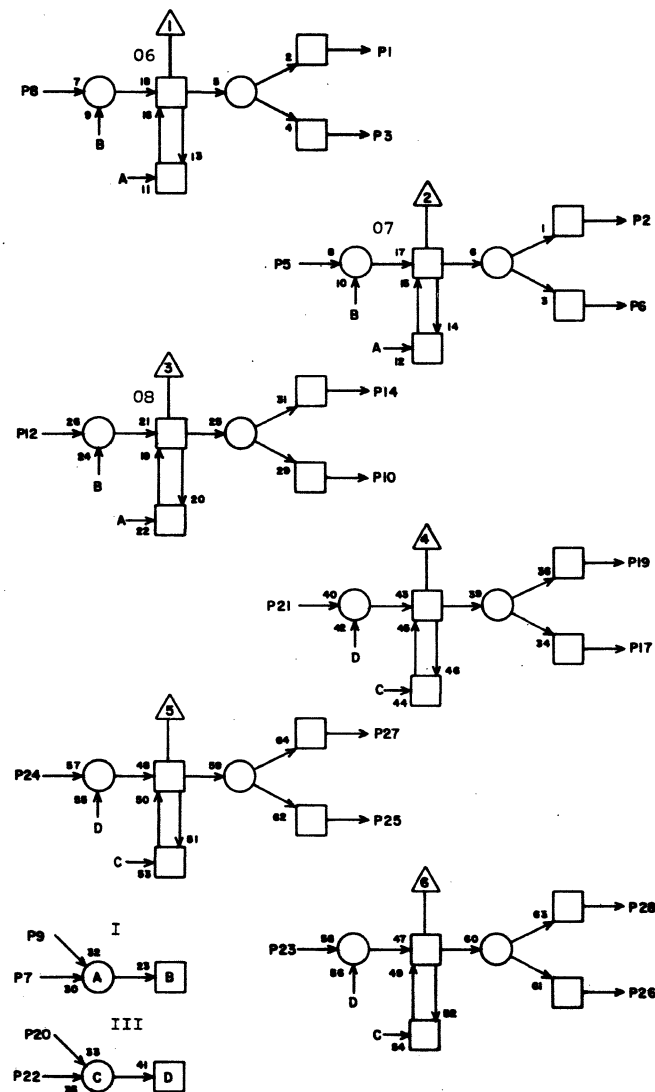
PA 12J11

1	J11	21	5
2	J11	24	5
3	J18	26	11
4			
5	J11	19	5
6	J19	1	11
7	J05	7	9
8	J10	28	5
9	GND	X	2
10	J19	2	11
11			
12	J11	27	5
13			
14	J11	23	5
15			
16			
17			
18			
19	J11	5	5
20	I13	6	9
21	J11	1	5
22	GND	X	2
23	J11	14	5
24	J11	2	5
25	IO3	4	13
26			
27	J11	12	5
28	J12	8	5

JACK PIN LG

63016700 Rev. F

CHARACTER TIMING CHAIN



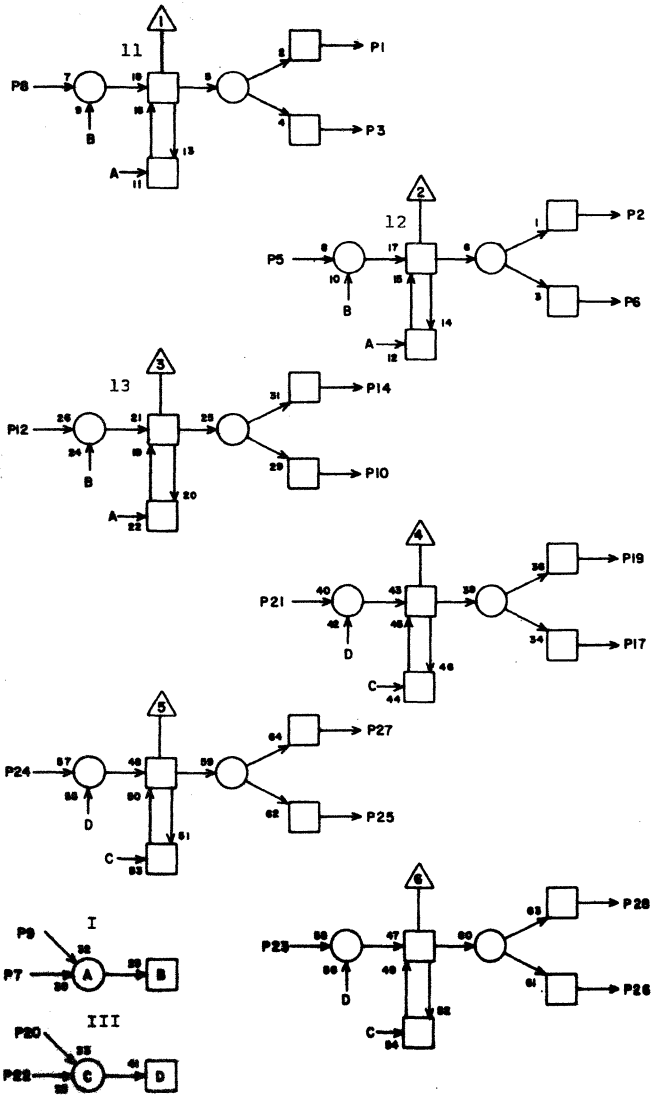
PA 12J12

1	J12	21	5
2	J12	24	5
3	J19	25	11
4			
5	J12	19	5
6	J19	26	11
7	J05	6	11
8	J11	28	5
9	GND	X	2
10	J20	1	11
11			
12	J12	27	5
13			
14	J12	23	5
15			
16			
17			
18			
19	J12	5	5
20	I13	4	9
21	J12	1	5
22	GND	X	2
23	J12	14	5
24	J12	2	5
25			
26			
27	J12	12	5
28	J13	8	5

JACK PIN LG

63016700 Rev. F

CHARACTER TIMING CHAIN



PA

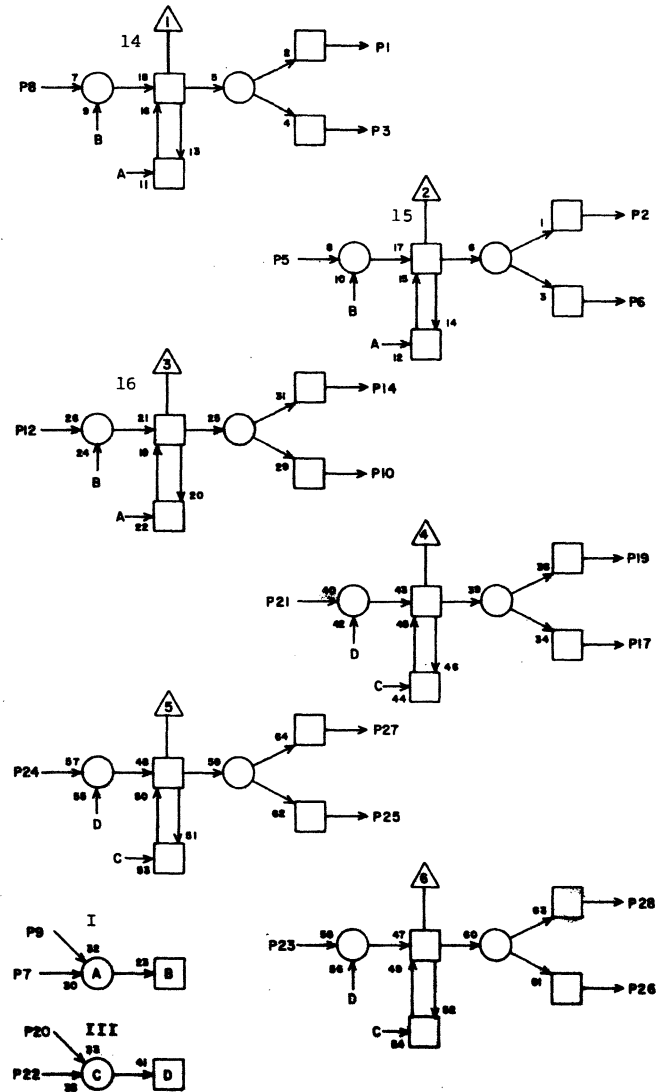
12J13

1	J13	21	5
2	J13	24	5
3	J20	2	9
4			
5	J13	19	5
6	J20	25	11
7	J05	4	11
8	J12	28	5
9	GND	X	2
10	J21	1	11
11			
12	J13	27	5
13			
14	J13	23	5
15			
16			
17			
18			
19	J13	5	5
20	I13	9	9
21	J13	1	5
22	GND	X	2
23	J13	14	5
24	J13	2	5
25			
26			
27	J13	12	5
28	J14	8	5

JACK PIN LG

63016700 Rev. F

CHARACTER TIMING CHAIN



PA

12J14

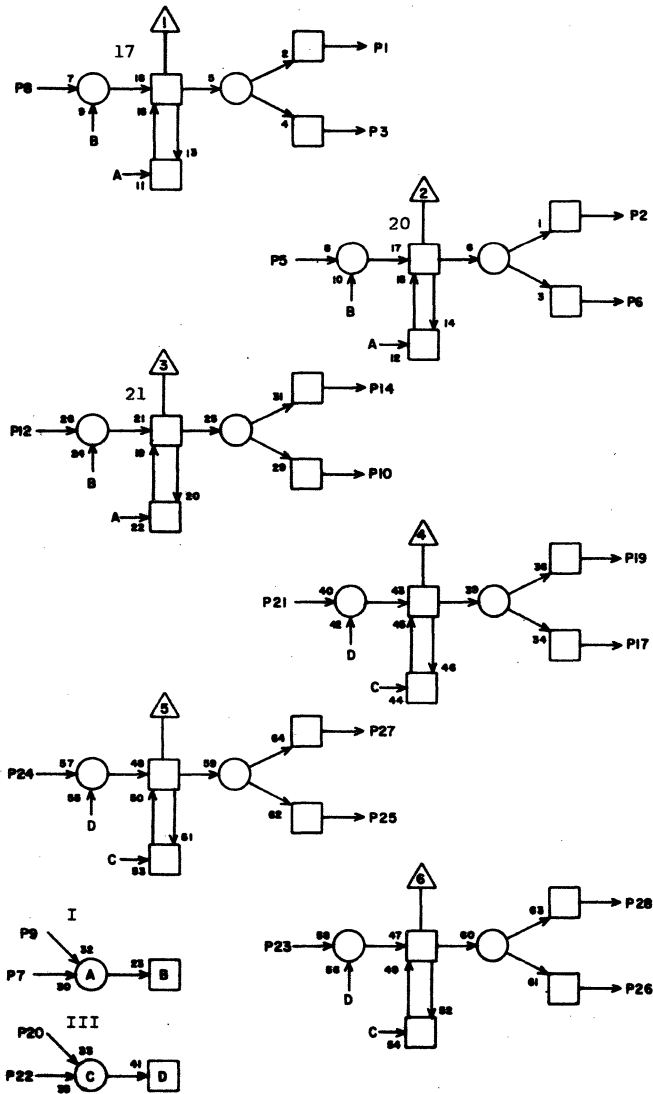
1	J14	21	5
2	J14	24	5
3	J21	2	9
4			
5	J14	19	5
6	J21	25	11
7	J05	9	13
8	J13	28	5
9	GND	X	2
10	J21	26	11
11			
12	J14	27	5
13			
14	J14	23	5
15			
16			
17			
18			
19	J14	5	5
20	I13	11	9
21	J14	1	5
22	GND	X	2
23	J14	14	5
24	J14	2	5
25			
26			
27	J14	12	5
28	J15	8	5

JACK PIN LG

63016700 Rev. F

12J14

CHARACTER TIMING CHAIN



PA

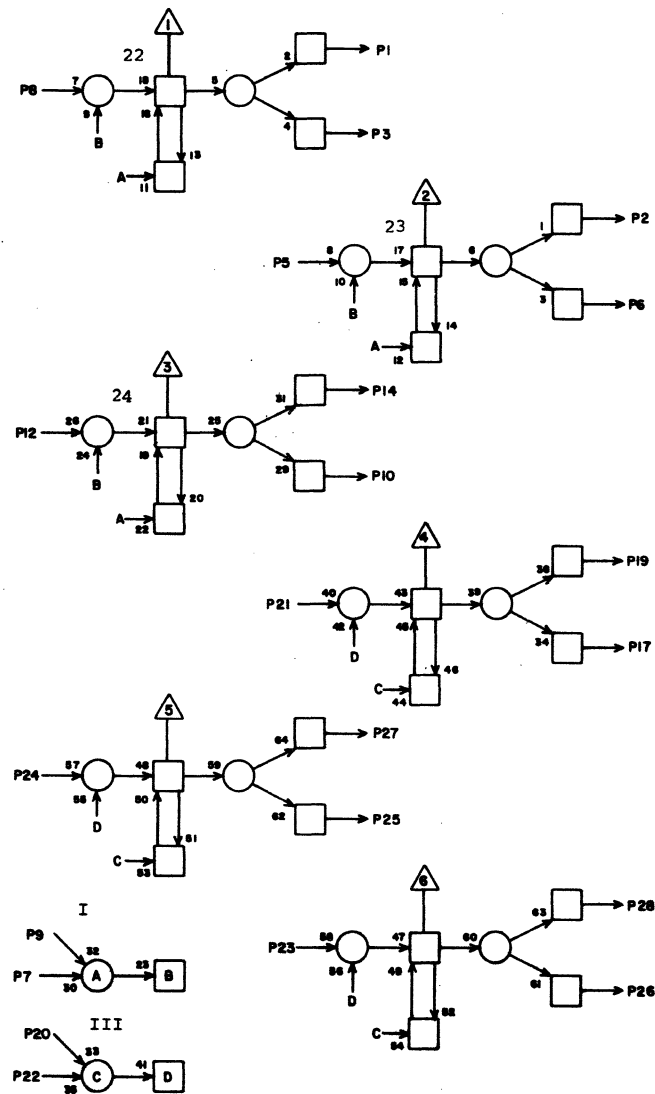
12J15

1	J15	21	5
2	J15	24	5
3	J22	1	11
4			
5	J15	19	5
6	J22	2	11
7	J05	11	9
8	J14	28	5
9	GND	X	2
10	J22	25	11
11			
12	J15	27	5
13			
14	J15	23	5
15			
16			
17			
18			
19	J15	5	5
20	I13	13	9
21	J15	1	5
22	GND	X	2
23	J15	14	5
24	J15	2	5
25			
26			
27	J15	12	5
28	J16	8	5

JACK PIN LG

63016700 Rev. F

CHARACTER TIMING CHAIN



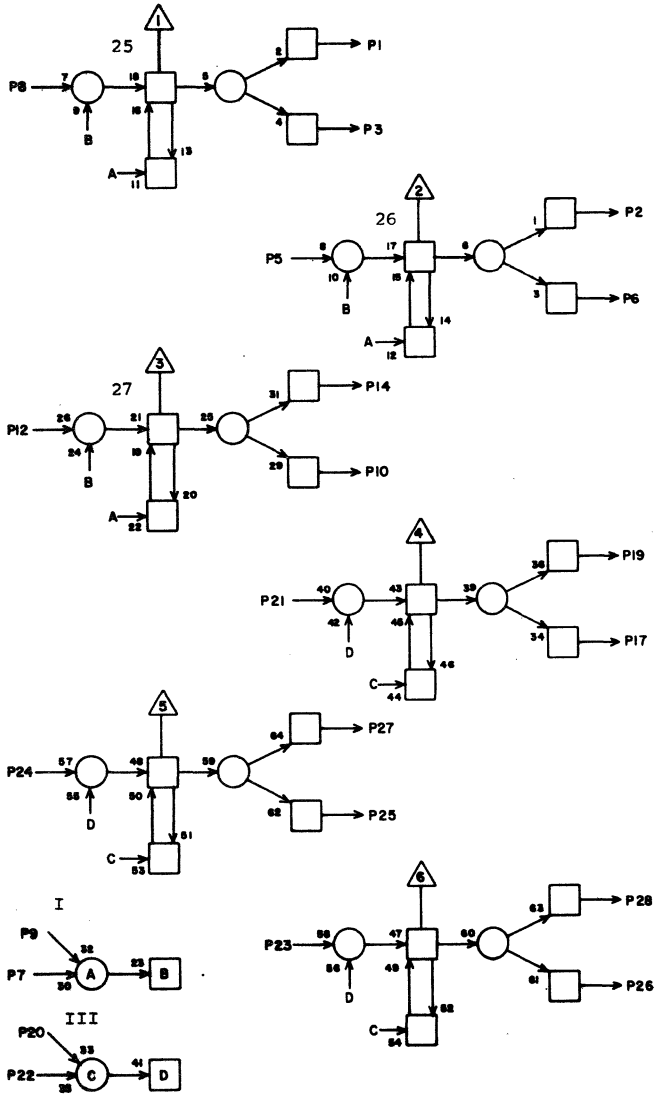
PA

12J16

1	J16	21	5
2	J16	24	5
3	J22	26	9
4			
5	J16	19	5
6	J23	1	11
7	J05	12	15
8	J15	28	5
9	GND	X	2
10	J23	25	11
11			
12	J16	27	5
13			
14	J16	23	5
15			
16			
17			
18			
19	J16	5	5
20	I13	1	9
21	J16	1	5
22	GND	X	2
23	J16	14	5
24	J16	2	5
25			
26			
27	J16	12	5
28	J17	8	5

JACK PIN LG

63016700 Rev. F

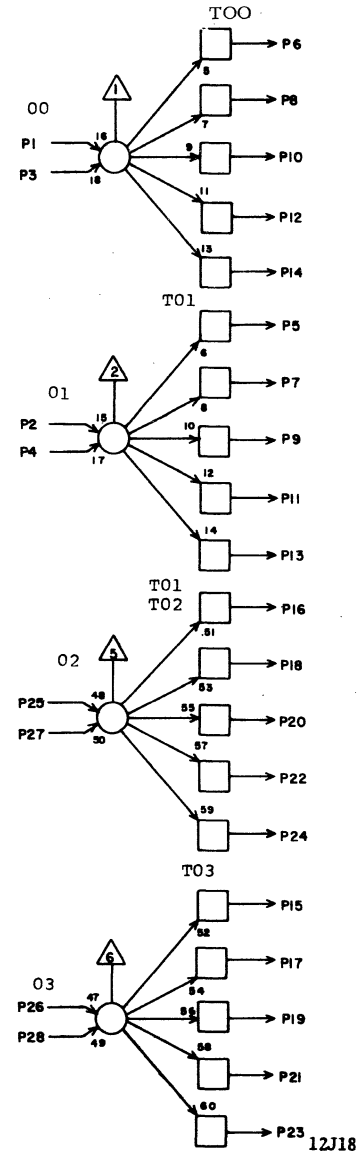


PA 12J17

1	J17	21	5
2	J17	24	5
3	J23	2	9
4			
5	J17	19	5
6	J23	26	9
7	J05	2	15
8	J16	28	5
9	GND	X	2
10	H06	17	15
11			
12	J17	27	5
13			
14	J17	23	5
15			
16			
17			
18			
19	J17	5	5
20	I13	8	9
21	J17	1	5
22	GND	X	2
23	J17	14	5
24	J17	2	5
25			
26			
27	J17	12	5
28	J09	15	11

JACK PIN LG

63016700 Rev. R

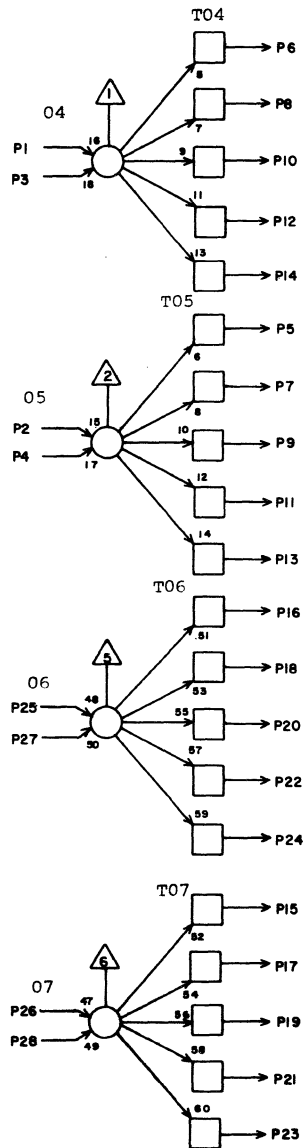


TD 12J18

1	J10	3	11
2	J10	6	11
3	GND	X	2
4	GND	X	2
5	J36	4	19
6			
7	J39	4	21
8	J39	3	23
9	J42	3	25
10	J42	4	25
11	K14	3	9
12	K13	24	11
13	K17	4	7
14	K17	3	7
15	J36	17	19
16	J36	12	19
17	J39	17	23
18	J39	12	23
19	J42	17	25
20	J42	12	25
21	K14	12	9
22	K14	4	9
23	K17	17	7
24	K17	12	7
25	J10	10	11
26	J11	3	11
27	GND	X	2
28	GND	X	2

JACK PIN LG

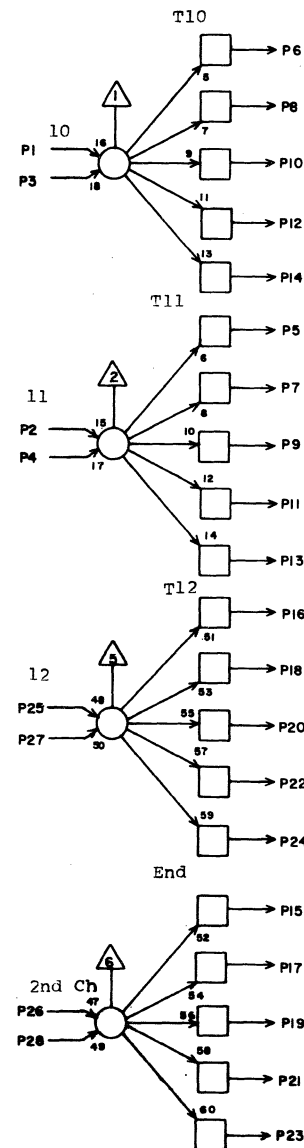
63016700 Rev. F



T D **1219**

1	J11	6	11
2	J11	10	11
3	GND	X	2
4	GND	X	2
5	J36	24	19
6	J36	23	19
7	J39	24	21
8	J39	23	21
9	J42	24	23
10	J42	23	25
11	K14	23	11
12	K14	17	9
13	K17	23	9
14			
15	J37	4	19
16	J37	3	21
17	J40	4	21
18	J40	3	21
19	K12	4	11
20	K12	3	11
21	K15	3	7
22	K14	24	9
23	K18	03	5
24	K17	24	7
25	J12	3	11
26	J12	6	11
27	GND	X	2
28	GND	X	2

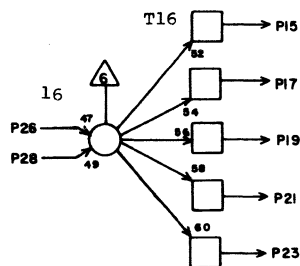
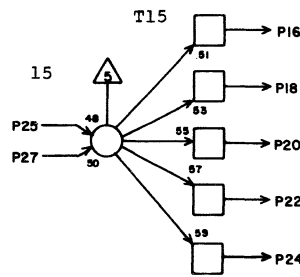
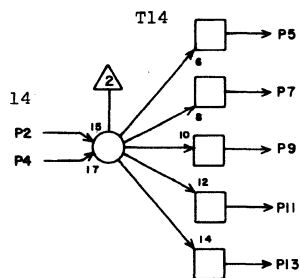
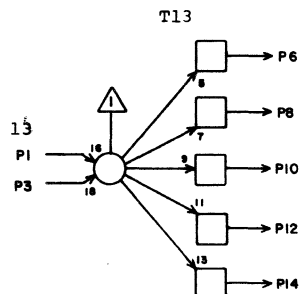
JACK PIN LG
63016700 Rev. F



T D **12 J20**

1	J12	10	11
2	J13	3	9
3	GND	X	2
4	GND	X	2
5	J37	17	19
6	J37	12	19
7	J40	17	21
8	J40	12	21
9	K12	17	13
10	K12	12	13
11	K15	12	11
12	K15	4	9
13	K18	12	7
14	K18	4	5
15	G05	15	21
16	J37	23	19
17	G05	14	21
18	J40	23	21
19	G06	15	21
20	K12	23	11
21	G06	14	21
22	K15	17	11
23	K09	15	13
24	K18	17	5
25	J13	6	11
26	J09	16	15
27	GND	X	2
28	GND	X	2

JACK PIN LG
63016700 Rev. F

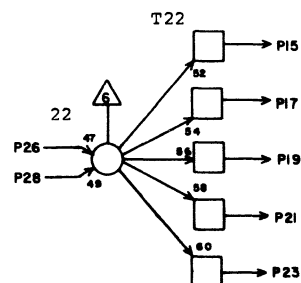
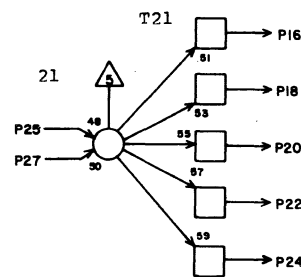
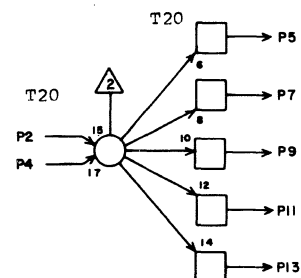
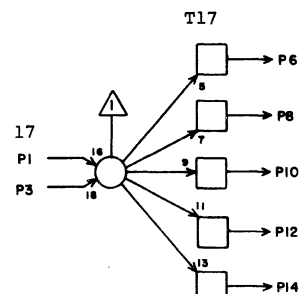


T D 12J21

1	J13	10	11
2	J14	3	9
3	GND	X	2
4	GND	X	2
5	J38	3	19
6	J37	24	17
7	J41	3	21
8	J40	24	23
9	K13	3	13
10	K12	24	15
11	K15	24	11
12	K15	23	11
13	K18	24	9
14	K18	23	9
15	J38	12	19
16	J38	4	19
17	J41	12	21
18	J41	4	23
19	K13	12	13
20	K13	4	11
21	K16	4	11
22	K16	3	11
23	K19	4	5
24	K19	3	5
25	J14	6	11
26	J14	10	11
27	GND	X	2
28	GND	X	2

JACK PIN LG

63016700 Rev. F



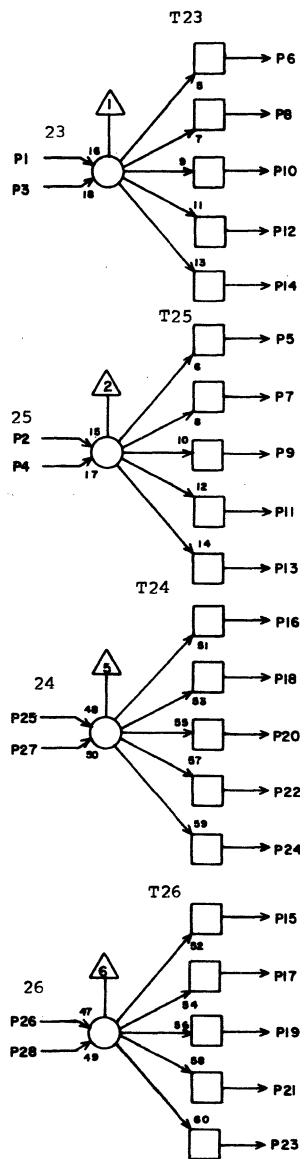
T D 12J22

1	J15	3	11
2	J15	6	11
3	GND	X	2
4	GND	X	2
5	J38	23	17
6	J38	17	19
7	J41	23	21
8	J41	17	21
9			
10	K13	17	13
11	K16	23	11
12	K16	12	11
13	K19	17	9
14	K19	12	9
15			
16	J38	24	17
17			
18	J41	24	19
19	L12	2	15
20			
21	K16	17	11
22	K16	24	11
23	K19	24	9
24	K19	23	7
25	J15	10	11
26	J16	3	9
27	GND	X	2
28	GND	X	2

JACK PIN LG

63016700 Rev. F

12J22



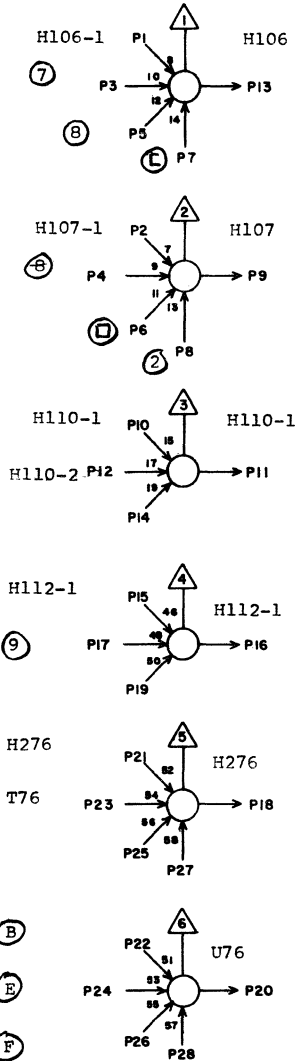
To exit

T D 12 J23

1	J16	6	11
2	J17	3	9
3	GND	X	2
4	GND	X	2
5			
6	K13	23	13
7			
8			
9			
10			
11			
12			
13	I04	24	21
14			
15	I04	16	21
16	K25	17	7
17	I05	4	21
18	I05	21	21
19			
20	I05	10	21
21			
22			
23			
24			
25	J16	10	11
26	J17	6	9
27	GND	X	2
28	GND	X	2

JACK PIN LG

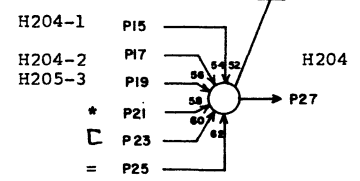
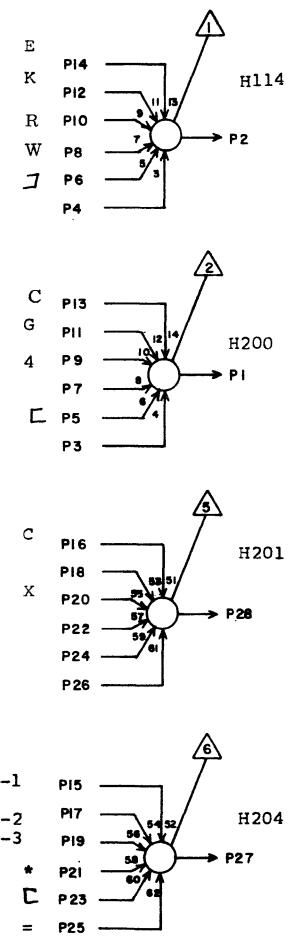
63016700 Rev. F



TI 12J25

JACK	PIN	LG
1	I16	2 13
2	I16	28 13
3	H22	19 11
4	G32	8 17
5	G39	24 19
6	G33	17 17
7	H23	27 11
8	G34	13 17
9	K12	2 17
10	I16	15 13
11	K12	10 17
12	I17	13 13
13	K12	1 15
14		
15	I17	28 13
16	K12	21 15
17	G40	28 19
18	I32	16 13
19		
20	J34	22 13
21	J33	27 13
22	G09	11 21
23	J08	15 19
24	G17	23 17
25	GND	X 2
26	G18	20 17
27	GND	X 2
28		

JACK PIN LG
63016700 Rev. E

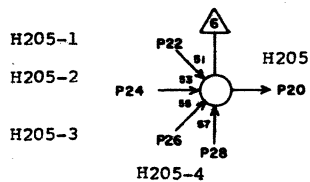
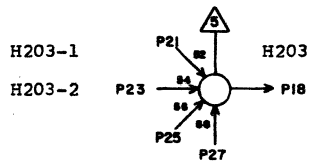
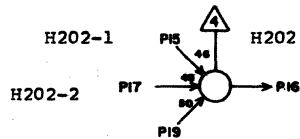
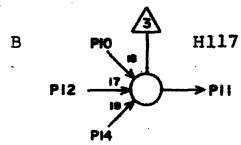
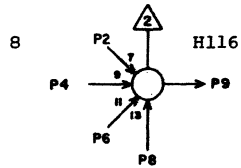
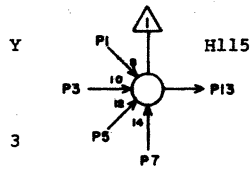


12J26

TA 12J26

JACK	PIN	LG
1	K13	22 17
2	K13	1 15
3		
4		
5	H23	23 11
6	G11	11 21
7		
8	G29	23 15
9	G36	11 19
10	G25	15 15
11	G19	26 15
12	G21	15 17
13	G15	22 19
14	G17	11 17
15	I19	13 13
16	G15	24 19
17	I19	2 13
18		
19	I19	28 13
20	G30	17 17
21	G42	22 21
22		
23	H23	24 11
24		
25	H24	17 13
26		
27	K14	15 15
28	K14	1 15

JACK PIN LG
63016700 Rev. F

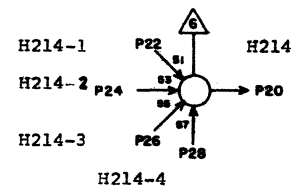
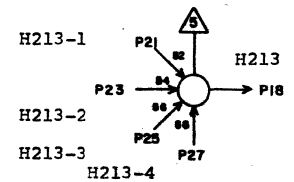
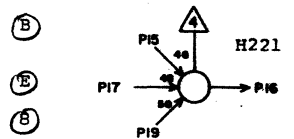
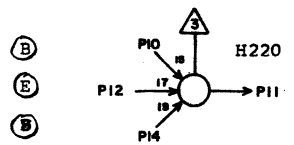
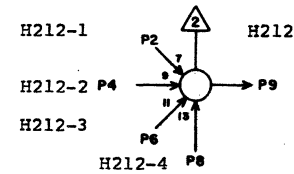
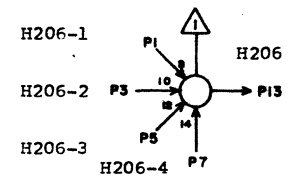


TI 12J27

1	G31	22	15
2	G39	28	19
3	G33	24	15
4			
5	G11	23	21
6	G11	13	21
7			
8			
9	K13	10	17
10	G14	18	19
11	K13	15	17
12			
13	K13	2	17
14			
15	I18	13	15
16	K14	2	15
17	I18	2	15
18	K14	10	15
19	H24	10	13
20	K14	21	15
21	I18	28	15
22	I19	15	13
23	I18	15	15
24	I20	13	13
25	G42	20	21
26	I20	2	13
27	H24	9	13
28	I20	28	13

JACK PIN LG

63016700 Rev. E

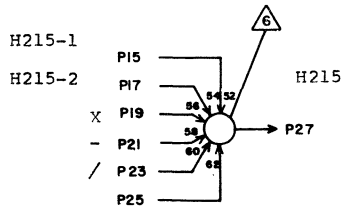
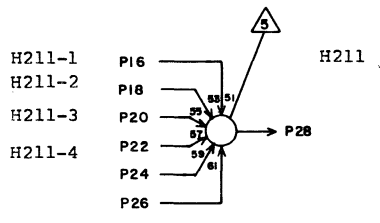
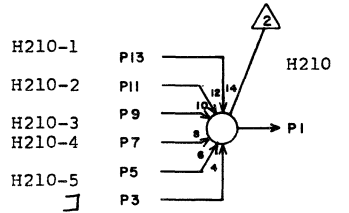
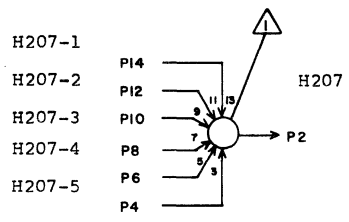


TI 12J28

1	I20	15	13
2	I26	2	9
3	I22	13	11
4	I26	28	9
5	I22	2	11
6	I26	15	9
7	I22	28	11
8	I27	13	9
9	K15	15	17
10	G09	6	23
11	K16	21	15
12	G17	19	17
13	K14	22	17
14	G10	21	23
15	G09	4	25
16	K16	22	15
17	G17	21	17
18	K15	21	15
19	G10	19	23
20	K15	22	17
21	I27	2	9
22	I28	2	9
23	I27	28	9
24	I28	28	9
25	I27	15	9
26	I28	15	9
27	I28	13	9
28	I29	13	9

JACK PIN LG

63016700 Rev. F

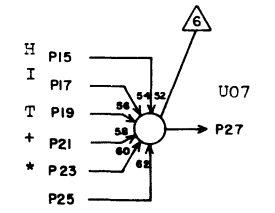
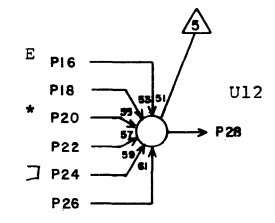
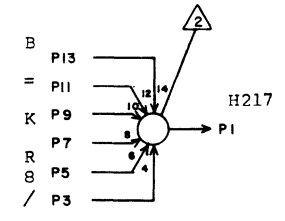
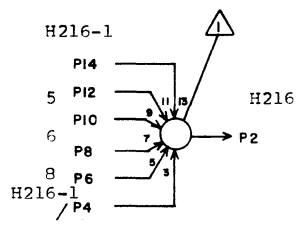


TA 12J29

1	K15	2	17
2	K15	1	17
3	G11	1	23
4			
5	I25	13	11
6	I23	15	11
7	I24	15	11
8	I23	28	11
9	I24	28	11
10	I23	2	11
11	I24	2	11
12	I23	13	11
13	I24	13	11
14	I22	15	11
15	I29	2	9
16	I25	2	11
17	I29	28	9
18	I25	28	11
19	G42	21	13
20	I25	15	11
21	H21	5	15
22	I26	13	9
23	H22	4	15
24			
25			
26			
27	K16	1	15
28	K15	10	17

JACK PIN LG

63016700 Rev. B F



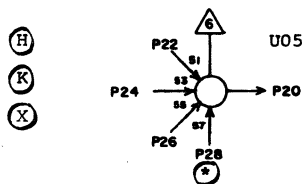
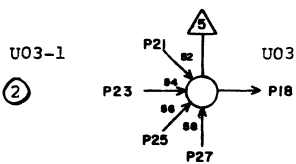
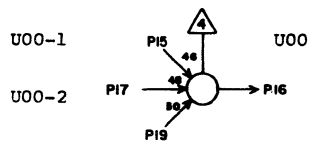
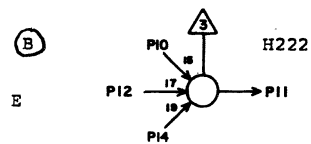
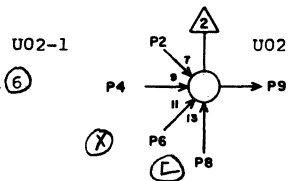
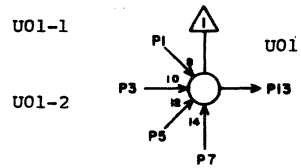
TA 12J30

1	K16	10	17
2	K16	2	17
3	H26	23	13
4	H22	5	15
5	G10	28	25
6	H29	28	13
7	G25	25	15
8	G10	18	25
9	G21	25	17
10	G12	13	23
11	H24	22	17
12	G37	23	17
13	G09	7	25
14	I29	15	9
15	G20	28	17
16	H25	5	13
17	G09	18	25
18			
19	H20	15	17
20	H26	12	13
21	G41	24	19
22			
23	H26	2	15
24	G11	10	25
25			
26			
27	K18	1	15
28	K18	15	15

JACK PIN LG

63016700 Rev. F

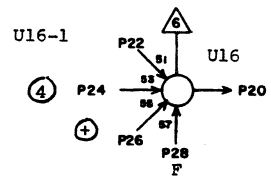
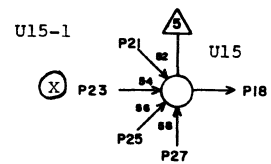
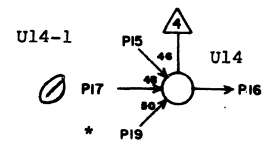
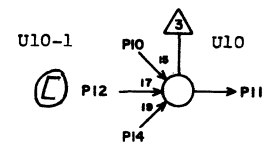
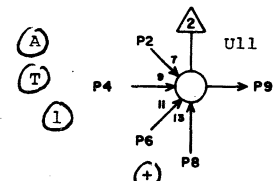
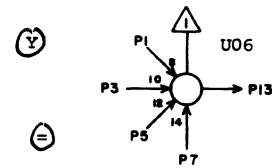
12J30



TI 12J31

JACK	PIN	LG
1	I30	28 5
2	I31	13 5
3	I30	15 5
4	G12	8 23
5		
6	G41	22 17
7		
8	H23	13 15
9	K17	10 17
10	G09	9 25
11	K16	15 17
12	G17	28 19
13	K17	2 17
14		
15	I30	13 9
16	K17	1 17
17	I30	2 9
18	K17	15 17
19		
20	K17	21 17
21	I31	2 9
22	G20	26 19
23	H25	16 15
24	H25	12 15
25		
26	G30	23 15
27		
28	G42	25 19

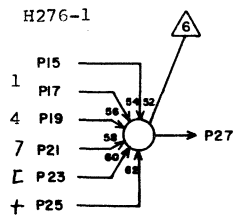
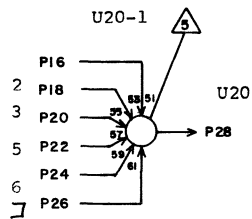
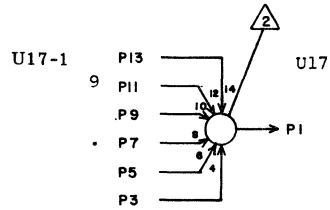
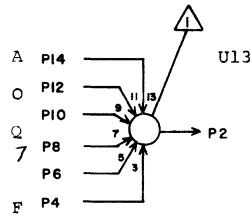
JACK PIN LG
63016700 Rev. F



TI 12J32

JACK	PIN	LG
1	G31	25 13
2	G13	25 23
3		
4	H20	18 17
5	H24	21 13
6	H21	13 15
7		
8	G41	26 17
9	K18	10 17
10	I31	28 5
11	K18	2 17
12	H23	15 17
13	K17	22 19
14		
15	I31	15 7
16	K18	22 17
17	H26	19 13
18	K19	1 15
19	H26	10 15
20	K19	2 15
21	I32	13 9
22	I32	2 9
23	G30	27 15
24	G36	28 15
25	G11	18 25
26	G41	28 17
27	H23	1 17
28	G18	26 23

JACK PIN LG
63016700 Rev. F

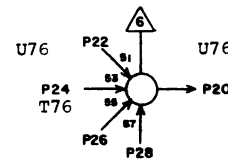
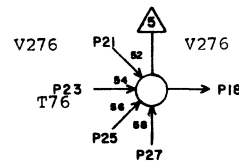
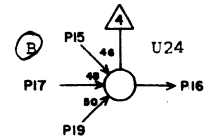
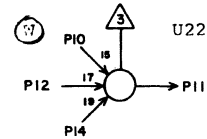
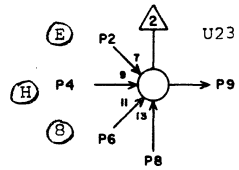
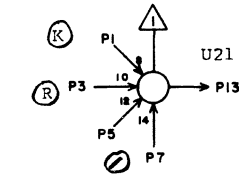


TA 12J33

1	K19	10	17
2	K18	21	17
3			
4	G18	24	19
5			
6	H26	5	13
7	H23	2	17
8	H22	18	19
9			
10	H18	4	19
11	G12	26	25
12	G23	19	17
13	I32	28	5
14	H25	14	15
15	I17	15	19
16	H29	2	11
17	H21	22	17
18	H25	18	15
19	G36	10	17
20	H20	4	19
21	H22	27	23
22	G37	27	17
23	H23	22	17
24	G12	10	25
25	G41	11	17
26	G11	12	27
27	J25	21	13
28	K19	15	17

JACK PIN LG

63016700 Rev. F



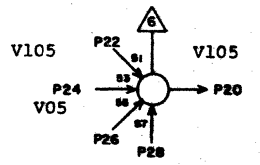
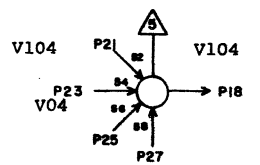
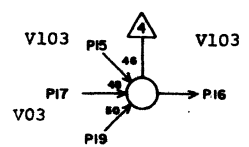
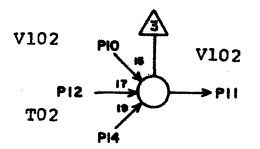
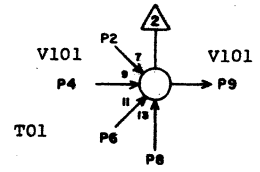
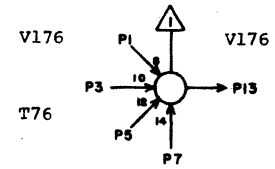
12J34

TI 12J34

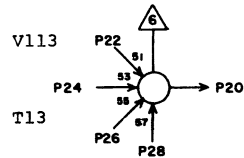
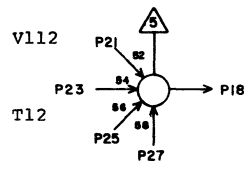
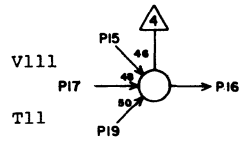
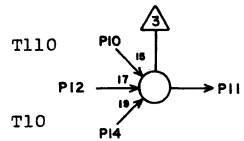
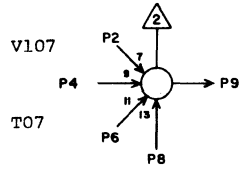
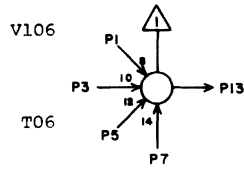
1	H25	4	15
2	H25	13	15
3	H26	8	15
4	G20	23	19
5	H24	24	15
6	G10	27	27
7	H26	17	15
8			
9	K13	21	23
10	H26	15	15
11	K19	22	19
12			
13	K19	21	17
14			
15	G09	8	29
16	K25	15	13
17			
18	K25	8	13
19			
20	K23	27	15
21	I33	I	9
22	J25	20	13
23	J08	13	27
24	J08	12	27
25			
26			
27			
28			

JACK PIN LG

63016700 Rev. F



1	I34	13	5
2	I34	11	7
3	J08	17	29
4	J18	5	19
5			
6			
7			
8			
9	K20	12	19
10	I34	9	7
11	K20	10	19
12	J18	16	19
13	K20	14	19
14			
15	I35	2	9
16	K20	8	19
17	J18	15	19
18	K20	6	17
19			
20	K20	4	17
21	I35	1	9
22	I34	16	9
23	J19	6	19
24	J19	5	19
25			
26			
27			
28			



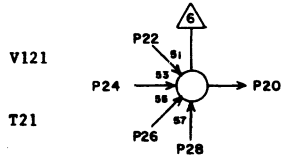
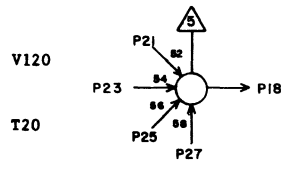
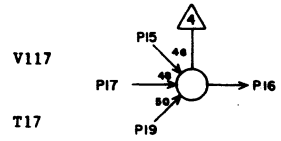
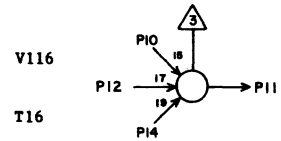
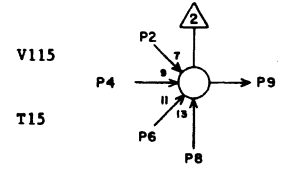
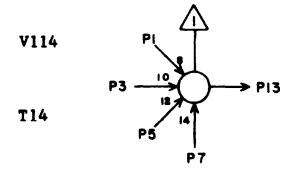
TI

12J37

1	I35	28	5
2	I35	27	5
3	J19	16	21
4	J19	15	19
5			
6			
7			
8			
9	K20	3	19
10	I36	2	9
11	K20	5	19
12	J20	6	19
13	K20	1	19
14			
15	I36	1	9
16	K20	7	19
17	J20	5	19
18	K20	9	19
19			
20	K20	11	19
21	I36	28	9
22	I33	2	9
23	J20	16	19
24	J21	6	17
25			
26			
27			
28			

JACK PIN LG

63016700 Rev. F



TI

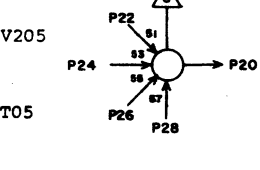
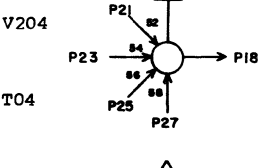
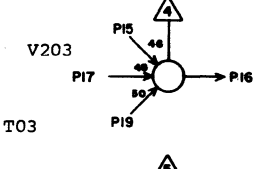
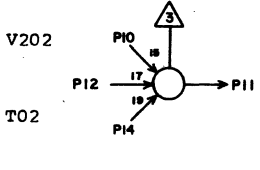
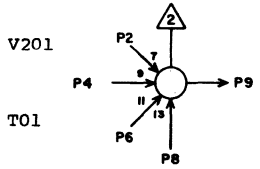
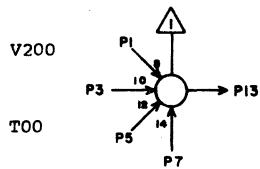
12J38

1	I36	27	9
2	I37	2	7
3	J21	5	19
4	J21	16	19
5			
6			
7			
8			
9	K20	19	19
10	I34	20	9
11	K20	21	19
12	J21	15	19
13	K20	17	19
14			
15	I38	13	9
16	K20	23	19
17	J22	6	19
18	K20	25	19
19			
20	K20	27	19
21	I38	9	9
22	I38	11	9
23	J22	5	17
24	J22	16	17
25			
26			
27			
28			

JACK PIN LG

63016700 Rev. F

12J38

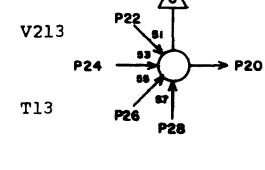
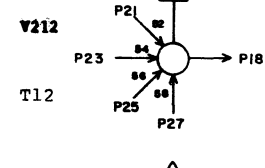
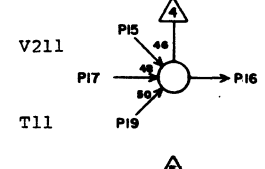
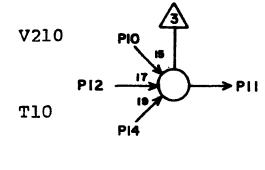
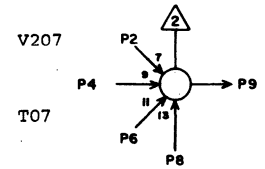
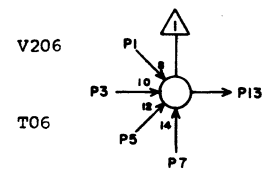


TI 12J39

1	I37	1	7
2	I38	18	5
3	J18	8	23
4	J18	7	21
5			
6			
7			
8			
9	K20	18	21
10	I37	28	5
11	K20	20	21
12	J18	18	23
13	K20	16	21
14			
15	I37	27	7
16	K20	22	21
17	J18	17	23
18	K20	24	21
19			
20	K20	26	21
21	I39	2	9
22	I39	1	9
23	J19	8	21
24	J19	7	21
25			
26			
27			
28			

JACK PIN LG

63016700 Rev. F

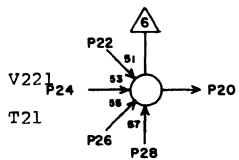
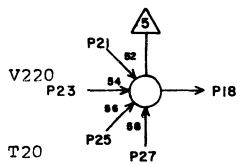
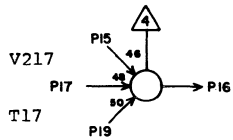
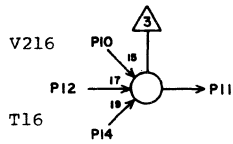
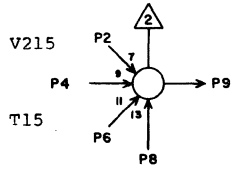
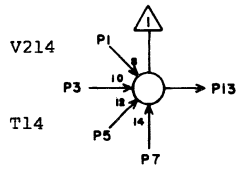


TI 12J40

1	I38	16	5
2	I38	20	5
3	J19	18	21
4	J19	17	21
5			
6			
7			
8			
9	K21	12	21
10	I39	28	5
11	K21	10	21
12	J20	8	21
13	K21	14	23
14			
15	I40	13	7
16	K21	8	21
17	J20	7	21
18	K21	6	21
19			
20	K21	4	21
21	I39	27	5
22	I41	2	9
23	J20	18	21
24	J21	8	23
25			
26			
27			
28			

JACK PIN LG

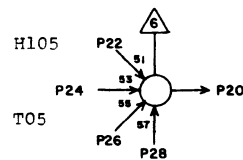
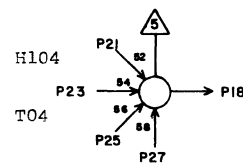
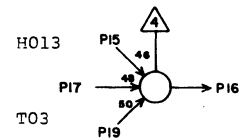
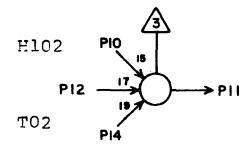
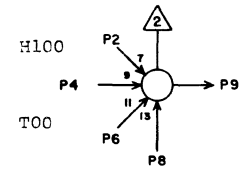
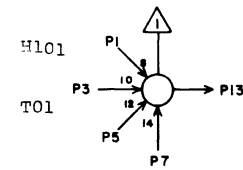
63016700 Rev. F



TI		12J41	
1	I40	9	5
2	I40	11	5
3	J21	7	21
4	J21	18	23
5			
6			
7			
8			
9	K21	3	21
10	I40	16	5
11	K21	5	21
12	J21	17	21
13	K21	1	21
14			
15	I40	18	7
16	K21	7	21
17	J22	8	21
18	K21	9	21
19			
20	K21	11	21
21	I40	20	7
22	I42	11	9
23	J22	7	21
24	J22	18	19
25			
26			
27			
28			

JACK PIN LG

63016700 Rev. F

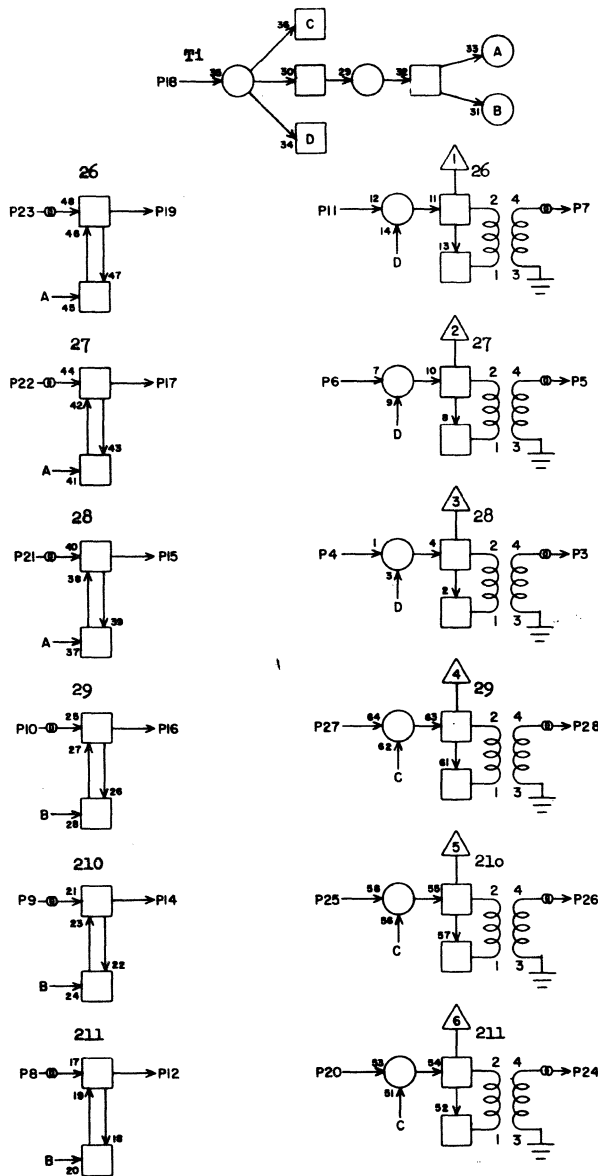


TI		12J42	
1	I42	16	5
2	I41	1	7
3	J18	9	25
4	J18	10	25
5			
6			
7			
8			
9	K21	19	23
10	I42	13	5
11	K21	21	23
12	J18	20	25
13	K21	17	23
14			
15	I42	9	7
16	K21	23	23
17	J18	19	25
18	K21	25	23
19			
20	K21	27	23
21	I42	18	7
22	I42	20	7
23	J19	10	25
24	J19	9	23
25			
26			
27			
28			

JACK PIN LG

63016700 Rev. F

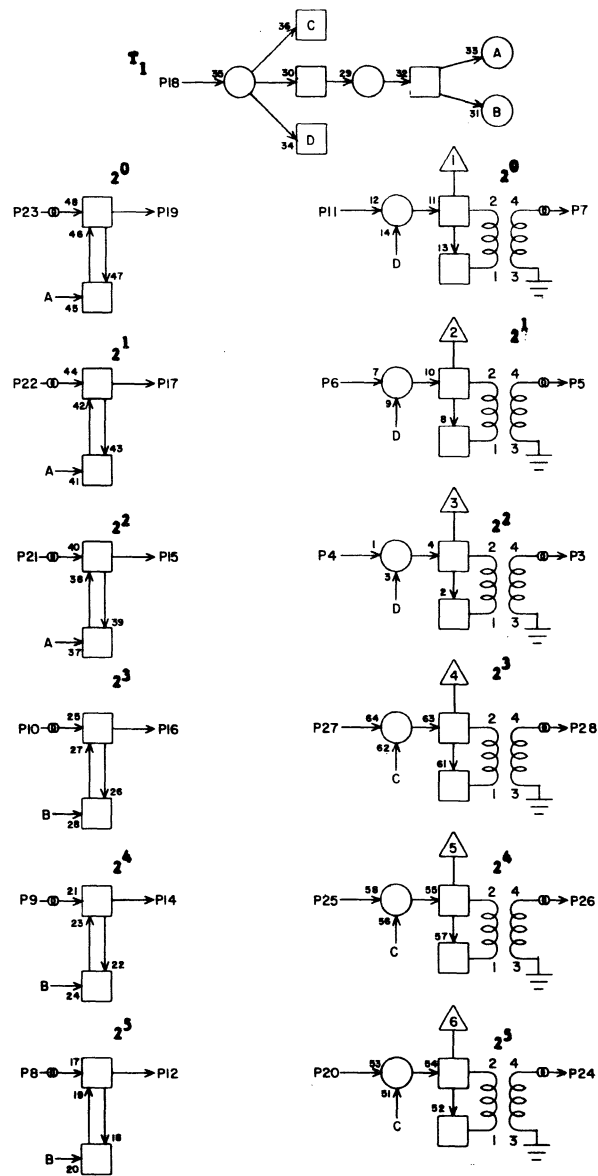
12J42



QJ 12 K 01

1			
2			
3	12W15	98	
4	K04	10	5
5	12W15	97	
6	K04	8	5
7	12W15	96	
8	W17	901	
9	W17	900	
10	W17	99	
11	K04	9	5
12	K04	25	5
13			
14	K04	26	5
15	K04	13	5
16	K04	18	5
17	K04	3	5
18	J05	13	9
19	K04	4	5
20	K04	20	5
21	W17	98	
22	W17	97	
23	W17	96	
24	12W15	901	
25	K04	21	5
26	12W15	900	
27	K04	19	5
28	12W15	99	

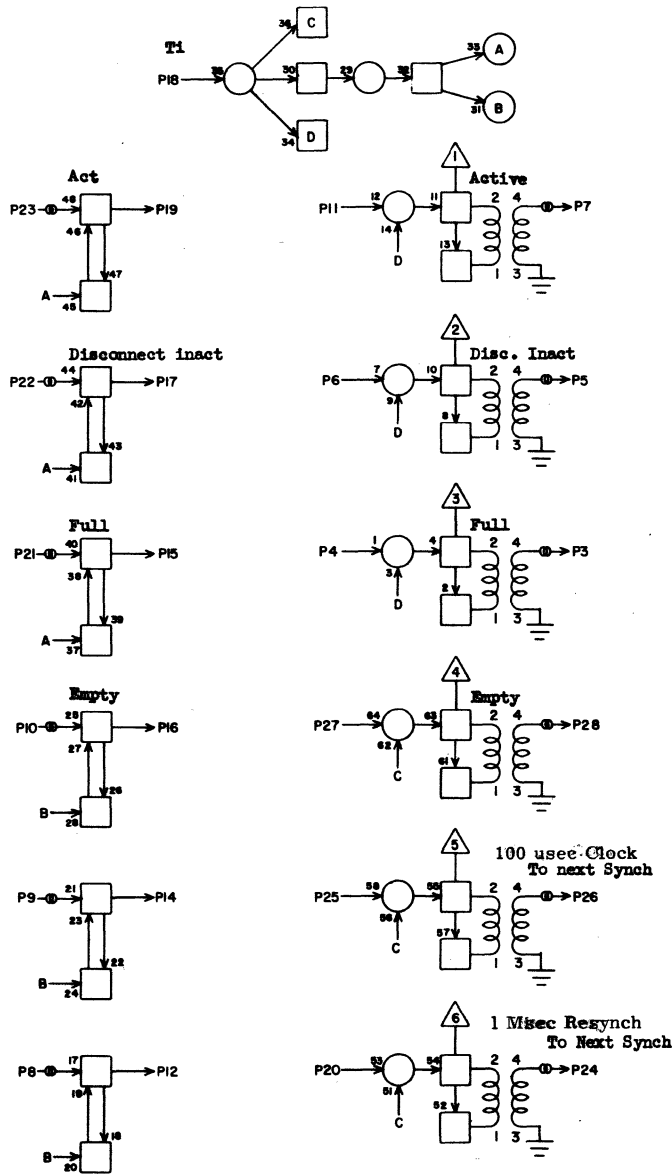
JACK PIN LG



QJ 12K02

1			
2			
3	12W15	92	
4	K05	10	5
5	12W15	91	
6	K05	8	5
7	12W15	90	
8	W17	95	
9	W17	94	
10	W17	93	
11	K05	9	5
12	K05	23	5
13			
14	K05	26	5
15	K05	13	5
16	K05	18	5
17	K05	3	5
18	J05	1	11
19	K05	4	5
20	K05	20	5
21	W17	92	
22	W17	91	
23	W17	90	
24	12W15	95	
25	K05	21	5
26	12W15	94	
27	K05	19	5
28	12W15	93	

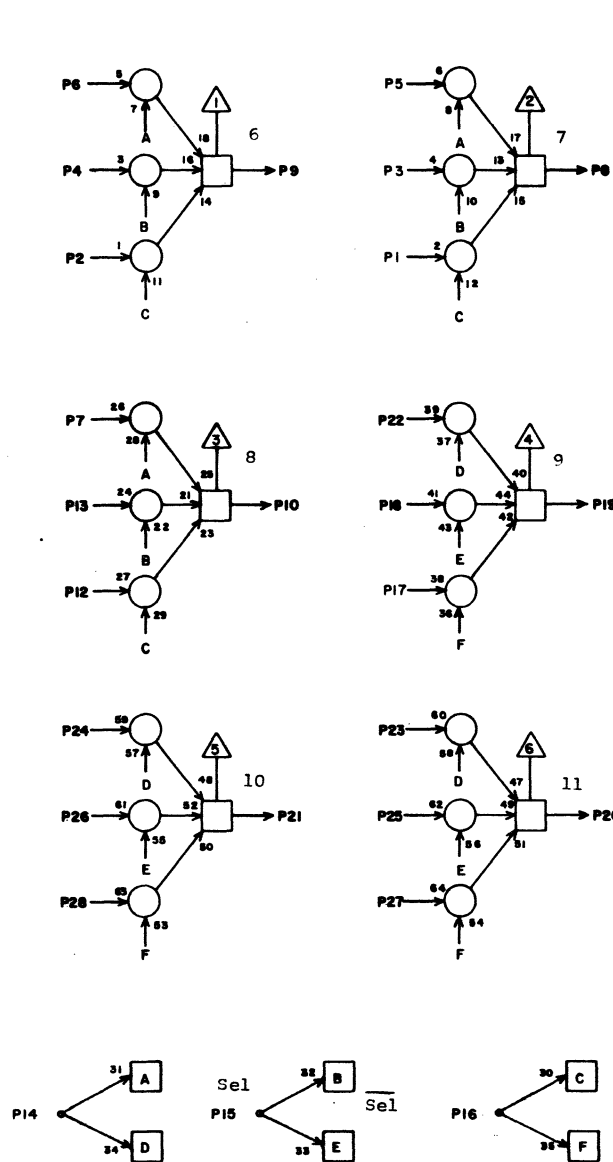
JACK PIN LG



QJ 12 K03

JACK	PIN	LG
1		
2		
3	12W15	904
4	K06	8 5
5	12W15	903
6	K06	21 5
7	12W15	902
8		
9		
10	W17	905
11	K06	19 5
12		
13		
14		
15	K06	3 5
16	K06	13 5
17	K06	26 5
18	J05	8 9
19	K06	18 5
20		
21	W17	904
22	W17	903
23	W17	902
24		
25	K03	X 2
26		
27	K06	10 5
28	12W15	905

63016700 Rev. F



TE 12K04

JACK	PIN	LG
1		
2		
3	K01	17 5
4	K01	19 5
5		
6		
7		
8	K01	6 5
9	K01	11 5
10	K01	4 5
11		
12		
13	K01	15 5
14	K04	X 2
15	H05	9 15
16	K04	X 2
17		
18	K01	16 5
19	K01	27 5
20	K01	20 5
21	K01	25 5
22		
23		
24		
25	K01	12 5
26	K01	14 5
27		
28		

63016700 Rev. F

KEYBOARD REGISTER TO PPU

TE 12K05

1	L06	6	7
2	L06	3	7
3	K02	17	5
4	K02	19	5
5	L05	6	7
6	L05	3	7
7	L05	7	7
8	K02	6	5
9	K02	11	5
10	K02	4	5
11			
12	L06	7	7
13	K02	15	5
14	I03	11	13
15	H05	11	15
16	I03	9	13
17	L06	22	7
18	K02	16	5
19	K02	27	5
20	K02	20	5
21	K02	25	5
22	L05	22	7
23	L05	26	7
24	L05	23	7
25	K02	12	5
26	K02	14	5
27	L06	26	7
28	L06	23	7

JACK PIN LG

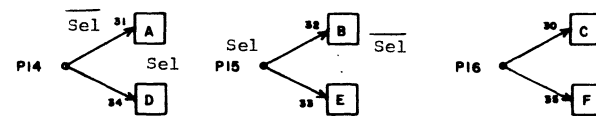
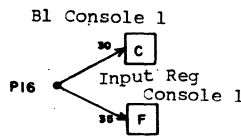
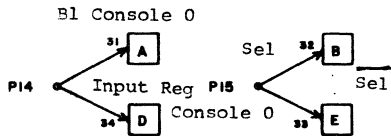
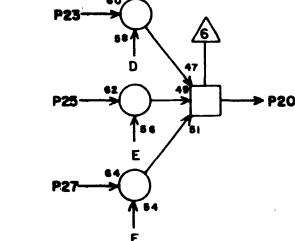
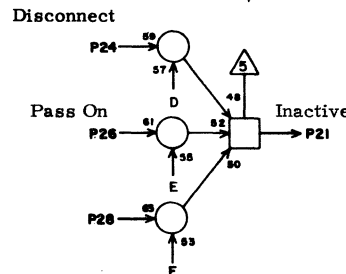
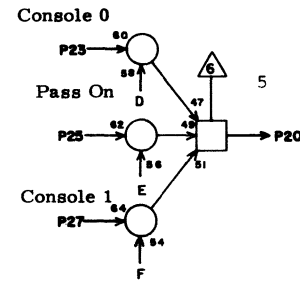
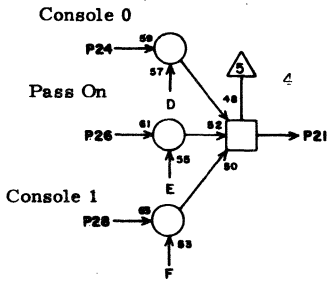
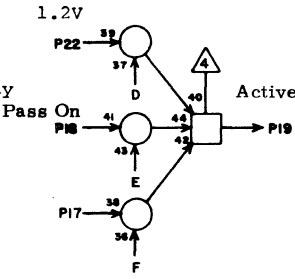
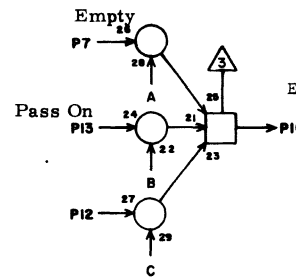
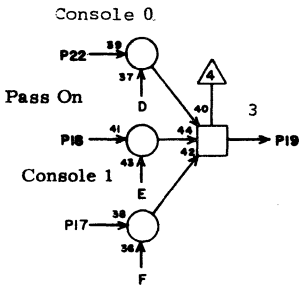
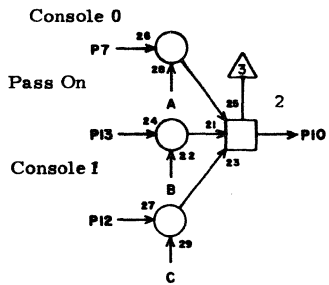
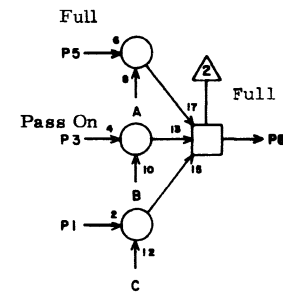
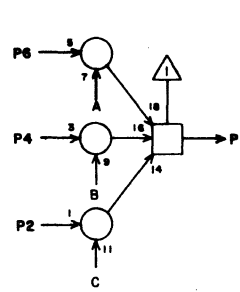
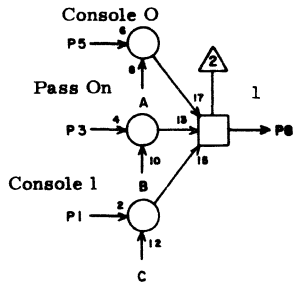
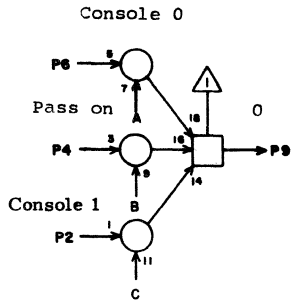
63016700 Rev. F

TE 12K06

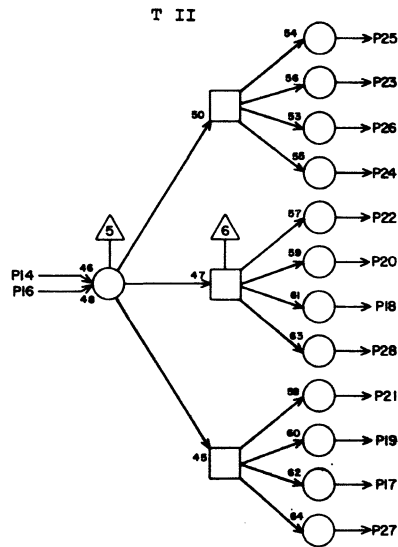
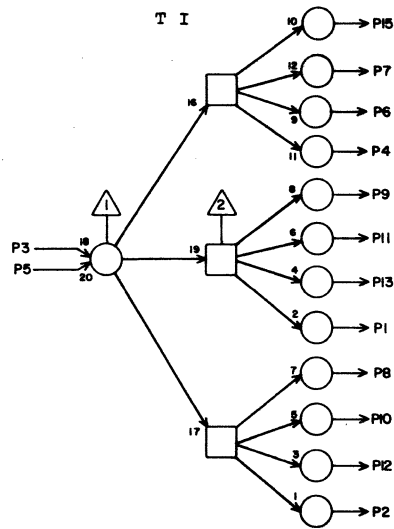
1			
2			
3	K03	15	5
4			
5	I11	14	15
6			
7	I11	2	15
8	K03	4	5
9			
10	K03	27	5
11			
12			
13	K03	16	5
14	H05	15	15
15	H05	13	15
16	K06	7	2
17			
18	K03	19	5
19	K03	11	5
20			
21	K03	6	5
22	L17	17	15
23			
24	I11	1	15
25			
26	K03	17	5
27			
28			

JACK PIN LG

63016700 Rev. F



12K06



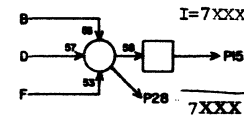
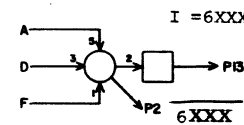
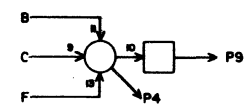
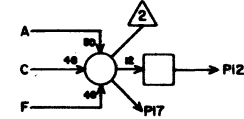
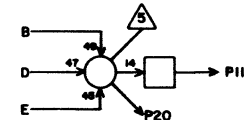
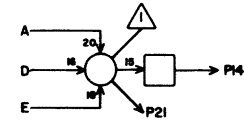
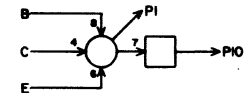
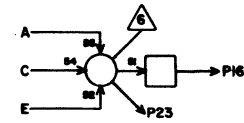
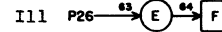
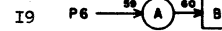
TC 12K07

1			
2			
3	J03	2	9
4			
5	K07	X	2
6	K38	20	35
7			
8			
9	K35	7	31
10			
11	K34	7	31
12			
13			
14	J03	1	9
15	K38	7	35
16	K07	X	2
17			
18	L22	22	17
19			
20	L22	7	17
21			
22	L16	22	13
23			
24	L16	9	13
25			
26	L10	3	7
27			
28			

JACK PIN LG

63016700 Rev. F

TRANSLATOR
6XXX, 7XXX

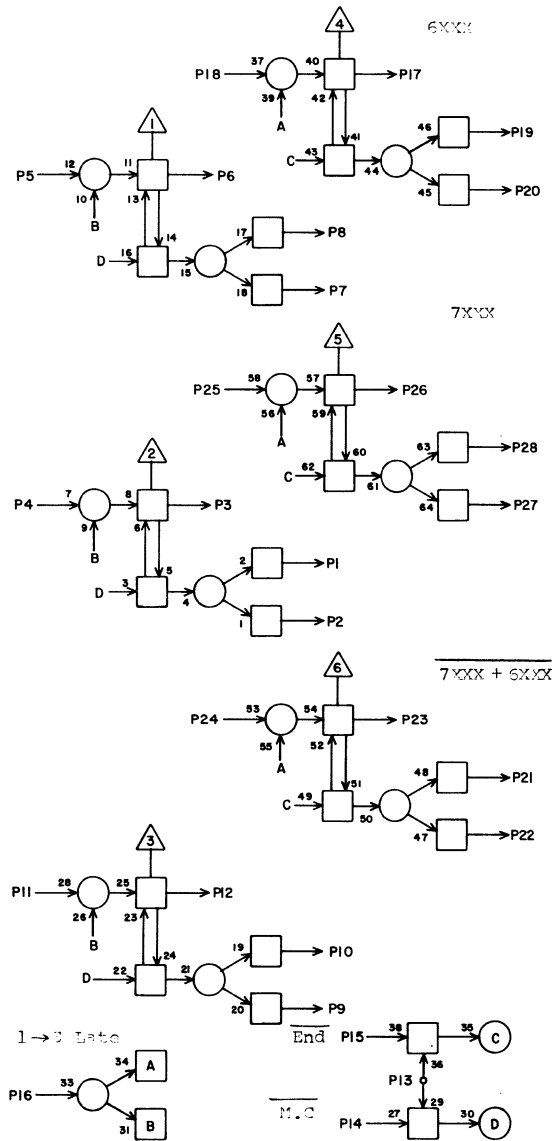


IV 12K08

1			
2	I10	2	13
3			
4			
5			
6	G03	9	19
7			
8	G03	20	19
9			
10			
11			
12			
13	K09	18	
14			
15	K09	25	
16			
17			
18			
19			
20			
21			
22			
23			
24			
25			
26	G03	22	19
27			
28	I10	4	13

JACK PIN LG

63016700 Rev. F

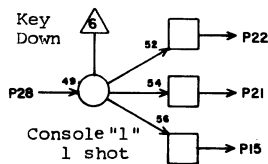
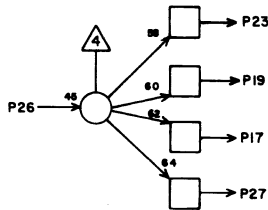
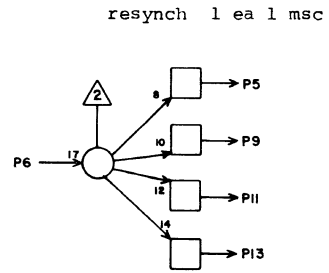
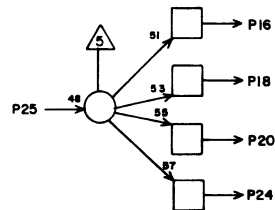
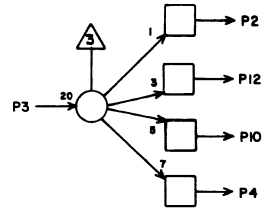
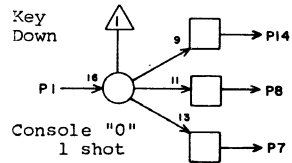


AD 12 K09

1			
2			
3			
4			
5			
6			
7			
8			
9			
10			
11			
12			
13	I13	28	11
14	K09	X	2
15	J20	23	13
16	I10	10	13
17	L10	2	5
18	K08	13	3
19			
20			
21			
22			
23	L10	26	7
24	I10	5	13
25	K08	15	3
26	L10	25	7
27			
28			

JACK PIN LG

63016700 Rev. F



TH 12K10

1	K35	19	27
2			
3			
4			
5	J07	6	11
6	J03	14	11
7			
8	L05	20	9
9	K38	9	27
10			
11	K35	5	27
12			
13	K34	5	25
14	L05	9	9
15			
16			
17			
18			
19			
20			
21	L06	20	9
22	L06	9	7
23			
24			
25			
26			
27			
28	K34	19	25

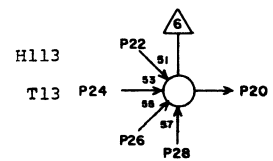
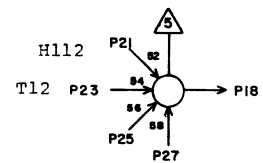
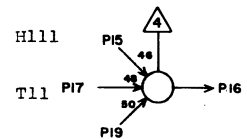
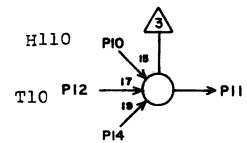
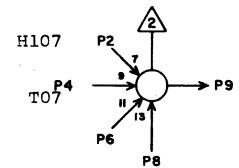
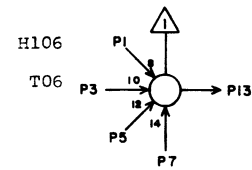
JACK PIN LG

63016700 Rev. F

12K10

TI

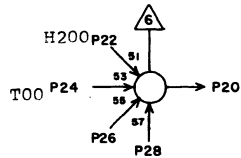
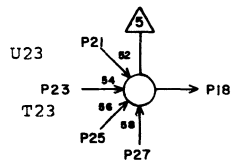
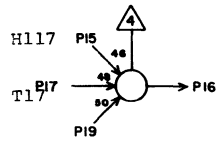
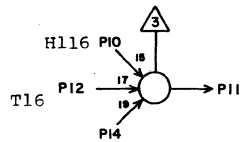
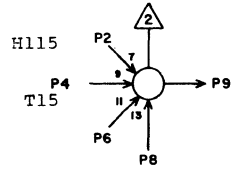
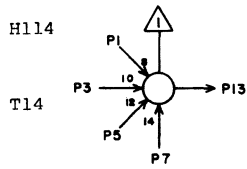
12K12



1	J25	13	15
2	J25	9	17
3	J19	20	11
4	J19	19	11
5			
6			
7			
8			
9	K21	18	11
10	J25	11	17
11	K21	20	13
12	J20	10	13
13	K21	16	11
14			
15	I41	28	29
16	K21	22	13
17	J20	9	13
18	K21	24	13
19			
20	K21	26	13
21	J25	16	15
22	I41	27	29
23	J20	20	11
24	J21	10	15
25			
26			
27			
28			

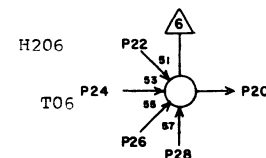
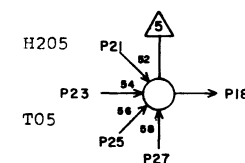
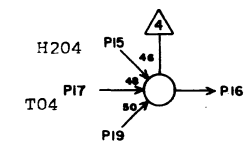
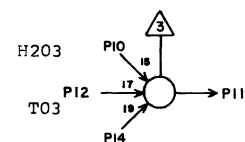
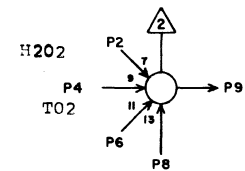
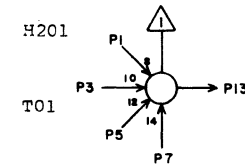
JACK PIN LG

63016700 Rev. F



TI		12K13	
1	J26	2	15
2	J27	13	17
3	J21	9	13
4	J21	20	11
5			
6			
7			
8			
9	K22	12	11
10	J27	9	17
11	K22	10	11
12	J21	19	13
13	K22	14	11
14			
15	J27	11	17
16	K22	8	13
17	J22	10	13
18	K23	16	13
19			
20	K22	1	13
21	J34	9	23
22	J26	1	17
23	J23	6	13
24	J18	12	11
25			
26			
27			
28			

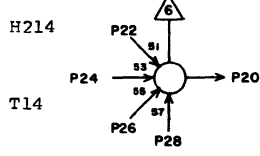
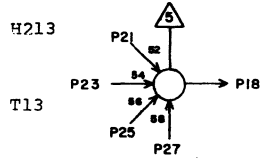
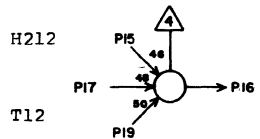
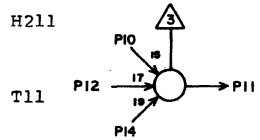
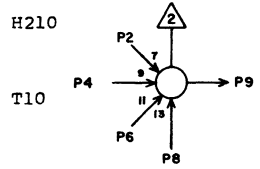
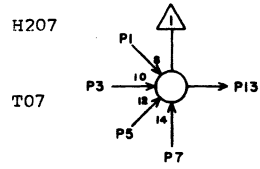
JACK PIN LG
63016700 Rev. F



12K14

TI		12K14	
1	J26	28	15
2	J27	16	15
3	J18	11	9
4	J18	22	9
5			
6			
7			
8			
9	K22	5	11
10	J27	18	15
11	K22	7	11
12	J18	21	9
13	K22	3	11
14			
15	J26	27	15
16	K22	9	11
17	J19	12	9
18	K22	11	11
19			
20	K22	17	11
21	J27	20	15
22	J28	13	17
23	J19	11	11
24	J19	22	9
25			
26			
27			
28			

JACK PIN LG
63016700 Rev. F

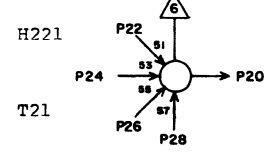
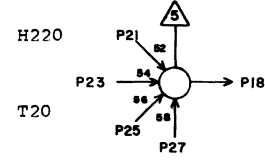
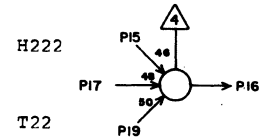
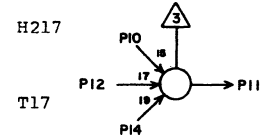
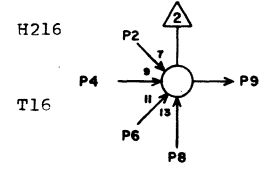
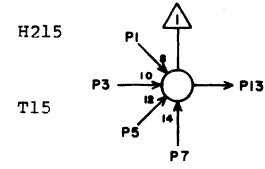


TI 12K15

1	J29	2	17
2	J29	1	17
3	J19	21	7
4	J20	12	9
5			
6			
7			
8			
9	K22	21	9
10	J29	28	17
11	K22	23	11
12	J20	11	11
13	K22	19	11
14			
15	J28	9	17
16	K22	25	11
17	J20	22	11
18	K22	27	11
19			
20	K22	16	11
21	J28	18	15
22	J28	20	17
23	J21	12	11
24	J21	11	11
25			
26			
27			
28			

JACK PIN LG

63016700 Rev. F

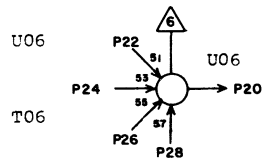
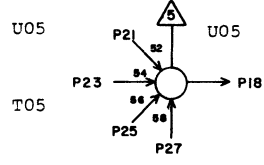
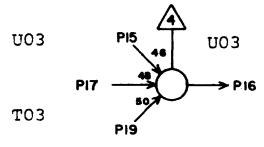
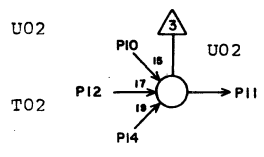
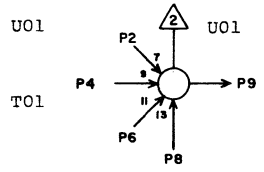
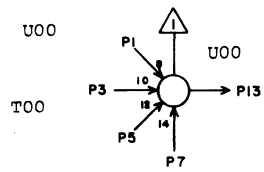


TI 12K16

1	J29	27	15
2	J30	2	17
3	J21	22	11
4	J21	21	11
5			
6			
7			
8			
9	K22	20	9
10	J30	1	17
11	K22	22	9
12	J22	12	11
13	K22	18	9
14			
15	J31	11	17
16	I32	18	19
17	J22	21	11
18	K22	24	9
19			
20	K22	26	9
21	J28	11	15
22	J28	16	15
23	J22	11	11
24	J22	22	11
25			
26			
27			
28			

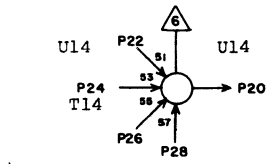
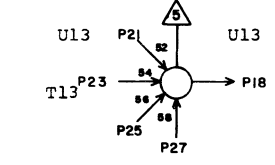
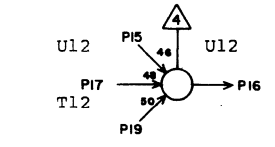
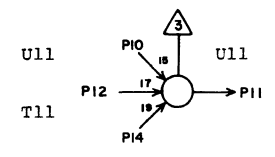
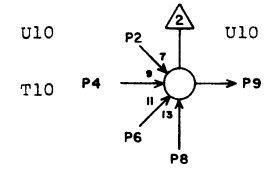
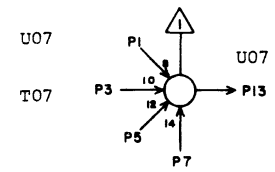
JACK PIN LG

63016700 Rev. F



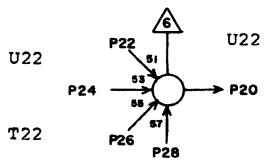
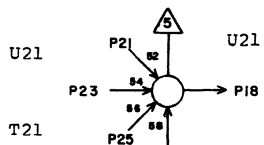
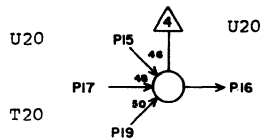
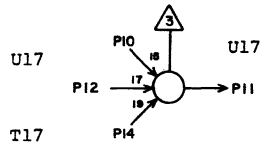
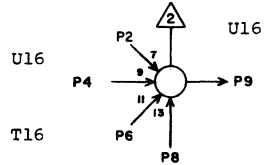
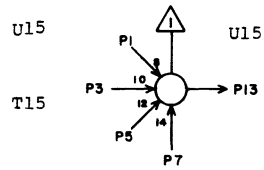
TI 12K17			
JACK	PIN	LG	
1	J31	16	17
2	J31	13	17
3	J18	14	7
4	J18	13	7
5			
6			
7			
8			
9	K23	12	9
10	J31	9	17
11	K23	10	9
12	J18	24	7
13	K23	14	9
14			
15	J31	18	17
16	K23	8	9
17	J18	23	7
18	K23	6	9
19			
20	K23	4	9
21	J31	20	17
22	J32	13	19
23	J19	13	9
24	J19	24	7
25			
26			
27			
28			

63016700 Rev. F



TI 12K18			
JACK	PIN	LG	
1	J30	27	15
2	J32	11	17
3	J19	23	5
4	J20	14	5
5			
6			
7			
8			
9	K23	3	9
10	J32	9	17
11	K23	5	9
12	J20	13	7
13	K23	1	9
14			
15	J30	28	15
16	K23	7	9
17	J20	24	5
18	K23	9	9
19			
20	K23	11	9
21	J33	2	17
22	J32	16	17
23	J21	14	9
24	J21	13	9
25			
26			
27			
28			

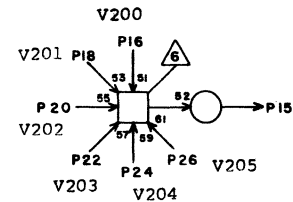
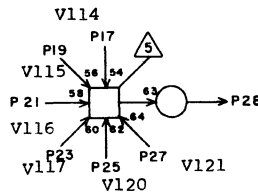
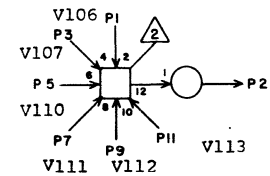
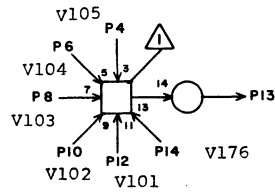
63016700 Rev. F



TI			
12K19			
JACK	PIN	LG	
1	J32	18	15
2	J32	20	15
3	J21	24	5
4	J21	23	5
5			
6			
7			
8			
9	K23	19	7
10	J33	1	17
11	K23	21	7
12	J22	14	9
13	K23	17	7
14			
15	J33	28	17
16	K23	23	7
17	J22	13	9
18	K23	25	7
19			
20	K23	27	7
21	J34	13	17
22	J34	11	19
23	J22	24	7
24	J22	23	9
25			
26			
27			
28			

JACK PIN LG

63016700 Rev. F

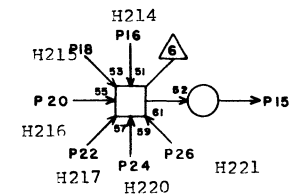
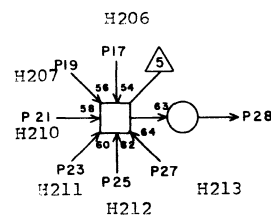
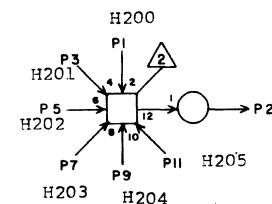
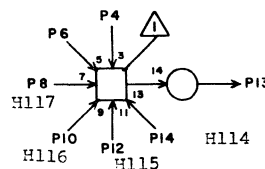
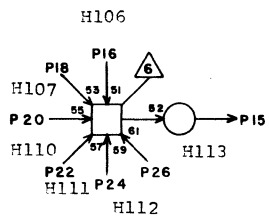
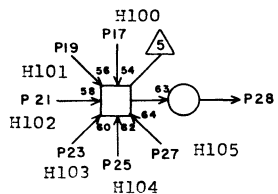
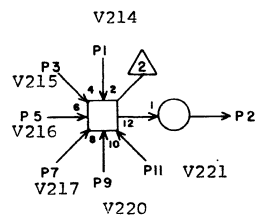
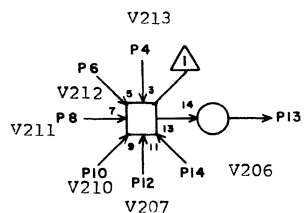


IP 12K20

JACK	PIN	LG	
1	J37	13	19
2	K25	3	9
3	J37	9	19
4	J36	20	17
5	J37	11	19
6	J36	19	17
7	J37	16	19
8	J36	16	19
9	J37	18	19
10	J36	11	19
11	J37	20	19
12	J36	9	19
13	K25	1	9
14	J36	13	19
15	K25	2	7
16	J39	13	21
17	J38	13	19
18	J39	9	21
19	J38	9	19
20	J39	11	21
21	J38	11	19
22	J39	16	21
23	J38	16	19
24	J39	18	21
25	J38	18	19
26	J39	20	21
27	J38	20	19
28	K25	5	9

JACK PIN LG

63016700 Rev. F



IP 12K21

1	J41	13	21
2	K25	6	7
3	J41	9	21
4	J40	20	21
5	J41	11	21
6	J40	18	21
7	J41	16	21
8	J40	16	21
9	J41	18	21
10	J40	11	21
11	J41	20	21
12	J40	9	21
13	K25	4	5
14	J40	13	23
15	K25	12	5
16	K12	13	11
17	J42	13	23
18	K12	9	11
19	J42	9	23
20	K12	11	13
21	J42	11	23
22	K12	16	13
23	J42	16	23
24	K12	18	13
25	J42	18	23
26	K12	20	13
27	J42	20	23
28	K25	10	7

JACK PIN LG

63016700 Rev. F

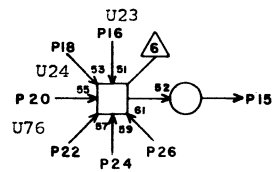
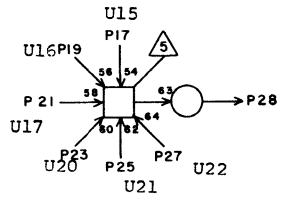
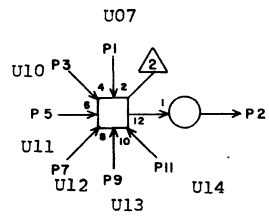
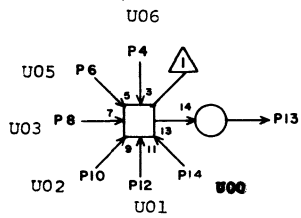
IP 12K22

1	P13	20	13
2	K25	22	5
3	K14	13	11
4			
5	K14	9	11
6			
7	K14	11	11
8	K13	16	13
9	K14	16	11
10	K13	11	11
11	K14	18	11
12	K13	9	11
13	K25	14	5
14	K13	13	11
15	K25	26	5
16	K15	20	11
17	K14	20	11
18	K16	13	9
19	K15	13	11
20	K16	9	9
21	K15	9	9
22	K16	11	9
23	K15	11	11
24	K16	18	9
25	K15	16	11
26	K16	20	9
27	K15	18	11
28	K25	24	5

JACK PIN LG

12K22

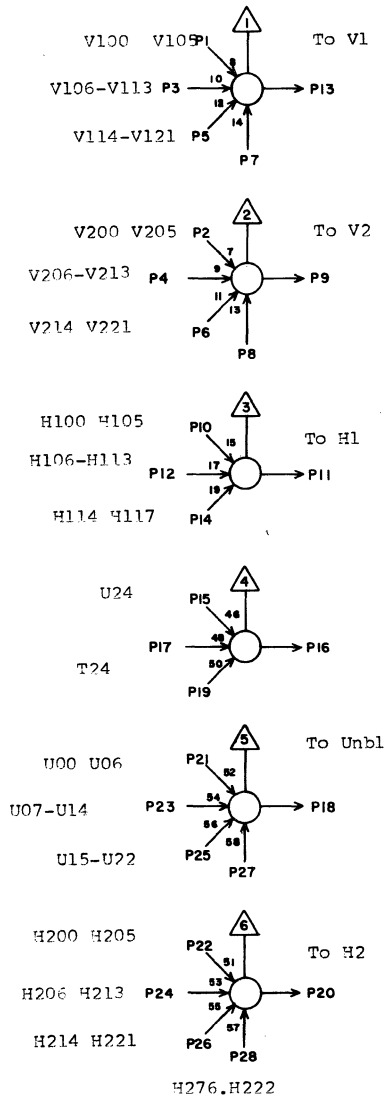
63016700 Rev. F



IP 12 K23

1	K18	13	9
2	K25	23	5
3	K18	9	9
4	K17	20	9
5	K18	11	9
6	K17	18	9
7	K18	16	9
8	K17	16	9
9	K18	18	9
10	K17	11	9
11	K18	20	9
12	K17	9	9
13	K25	21	5
14	K17	13	9
15	K25	27	7
16	K13	18	13
17	K19	13	7
18	K25	16	5
19	K19	9	7
20	J34	20	15
21	K19	11	7
22			
23	K19	16	7
24			
25	K19	18	7
26			
27	K19	20	7
28	K25	25	5

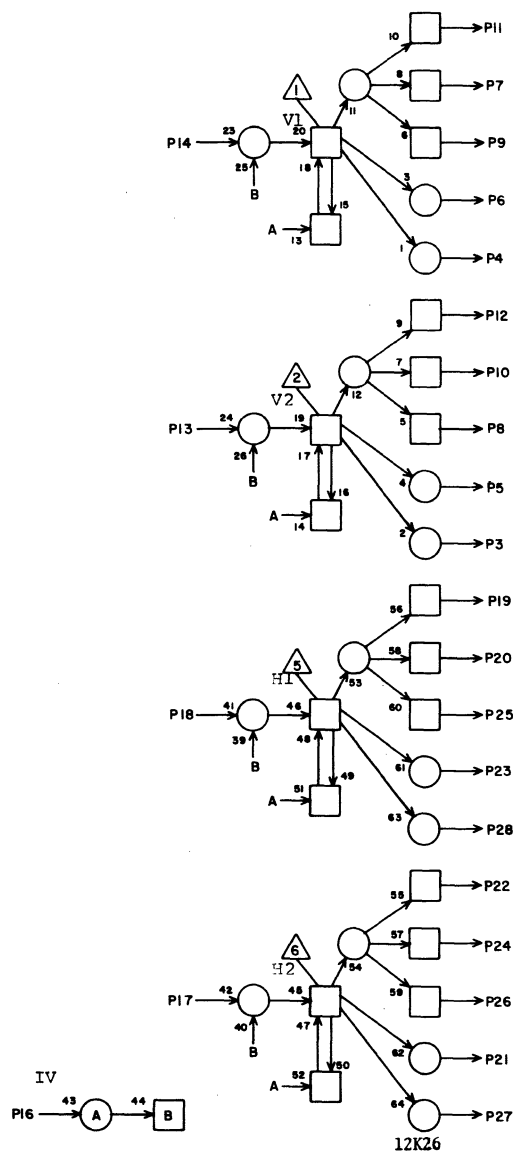
JACK PIN LG



TI 12K25			
JACK	PIN	LG	
1	K20	13	9
2	K20	15	7
3	K20	2	9
4	K21	13	5
5	K20	28	9
6	K21	2	7
7			
8	J34	18	13
9	K26	13	3
10	K21	28	7
11	K26	18	3
12	K21	15	5
13	K26	14	3
14	K22	13	5
15	J34	16	13
16	K23	18	5
17	J23	16	7
18	K27	2	5
19			
20	K26	17	3
21	K23	13	5
22	K22	2	5
23	K23	2	5
24	K22	28	5
25	K23	28	5
26	K22	15	5
27	K23	15	7
28	I32	15	15

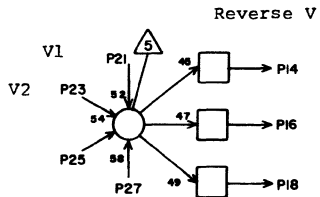
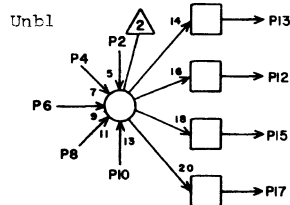
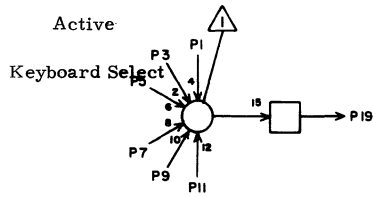
63016700 Rev. P

CHARACTER GENERATOR CONTROL FLIP-FLOPS

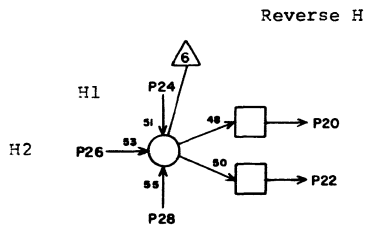


PD 12K26			
JACK	PIN	LG	
1			
2			
3			
4			
5	K31	3	9
6	K31	4	9
7			
8	K27	23	5
9	K27	21	5
10			
11	K31	1	9
12	K31	2	9
13	K25	9	3
14	K25	13	3
15			
16	J04	26	23
17	K25	20	3
18	K25	11	3
19	K31	10	7
20			
21	K13	12	7
22	K31	15	9
23	K31	17	9
24			
25	K27	24	3
26	K27	26	3
27			
28			

63016700 Rev. F



Reverse
Direction

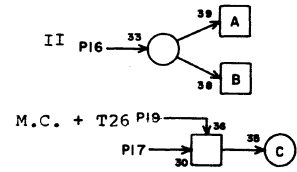
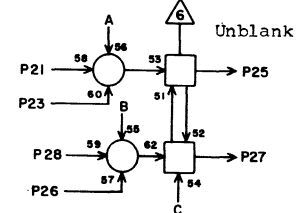
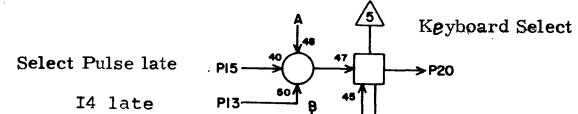
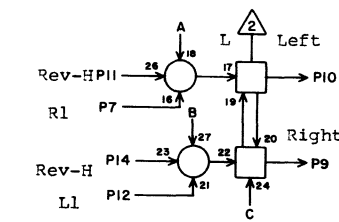
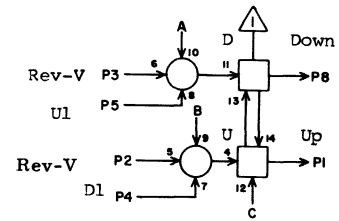


TB 12 K27

1	I10	19	21
2	K25	18	5
3	K28	20	5
4	K27	X	2
5	K27	X	2
6	K27	X	2
7	K27	X	2
8	K27	X	2
9	K27	X	2
10	K27	X	2
11	K27	X	2
12	K28	28	5
13	K28	21	5
14	K28	3	5
15			
16	K28	2	5
17			
18			
19	K39	18	15
20	K28	11	5
21	K26	9	5
22	K28	14	5
23	K26	8	5
24	K26	25	3
25	K27	X	2
26	K26	26	3
27	K27	X	2
28	K27	X	2

JACK PIN LG

63016700 Rev. F

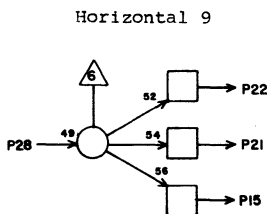
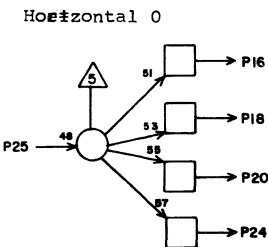
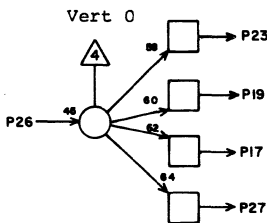
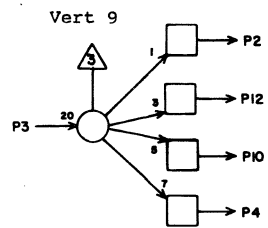
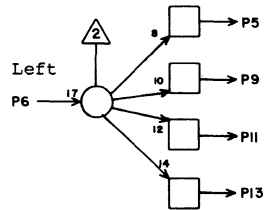
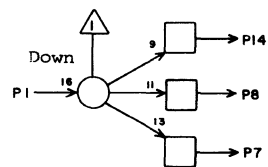


AE 12K26

1	K32	5	7
2	K27	16	5
3	K27	14	5
4	K30	11	5
5	K30	6	5
6			
7	K30	5	5
8	K29	1	5
9	K32	25	9
10	K29	6	5
11	K27	20	5
12	K30	12	7
13	G02	7	31
14	K27	22	5
15	H05	7	27
16	L37	15	13
17	K28	X	2
18			
19	J06	24	23
20	K27	3	5
21	K27	13	5
22	K28	X	2
23	K30	23	5
24	K39	20	13
25	K30	18	5
26	K30	19	5
27			
28	K27	12	5

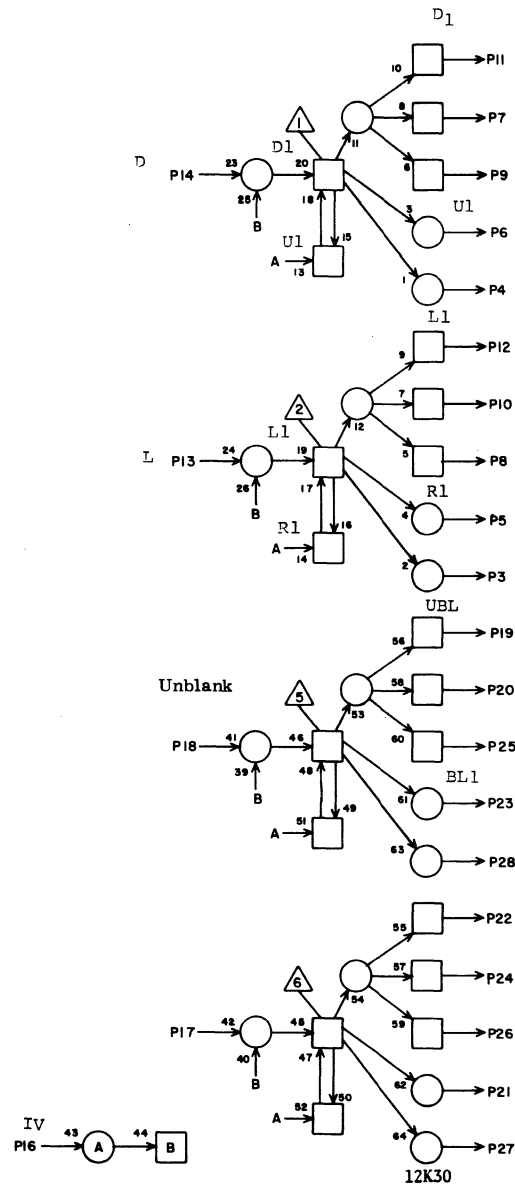
JACK PIN LG

63016700 Rev. F



TH		12K29	
JACK	PIN	LG	
1	K28	8	5
2	L29	23	9
3	L31	4	7
4			
5	K30	13	3
6	K28	10	5
7			
8	K32	3	5
9	K32	23	5
10			
11			
12	L26	26	9
13			
14	K30	14	3
15			
16	L27	1	5
17			
18	L26	1	5
19	L26	17	7
20			
21	L26	10	7
22	L41	23	15
23	L27	17	7
24			
25	L39	9	13
26	L32	9	9
27			
28	L38	26	13

JACK PIN LG
63016700 Rev. F

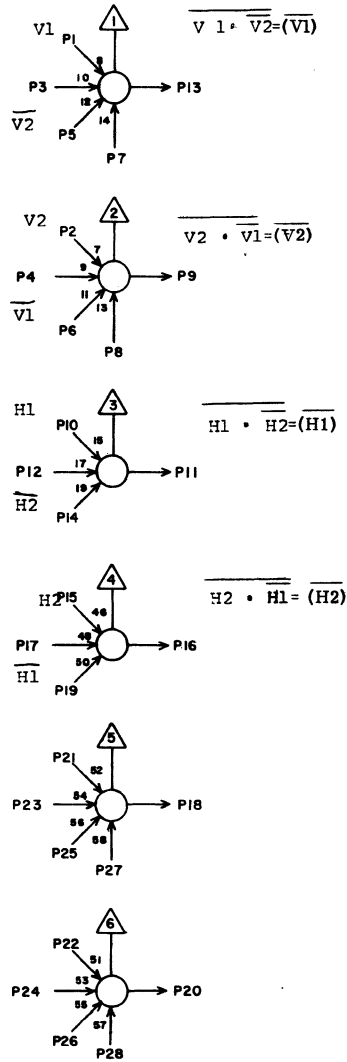


12K30

PD		12K30	
JACK	PIN	LG	
1			
2			
3			
4			
5	K29	7	5
6	K28	5	5
7			
8			
9			
10			
11	K28	4	5
12	K28	12	7
13	K29	5	3
14	K29	14	3
15			
16	L33	15	9
17			
18	K28	25	5
19	K28	26	5
20	K36	22	9
21			
22			
23	K28	23	5
24			
25			
26			
27			
28	K36	23	9

JACK PIN LG
63016700 Rev. F

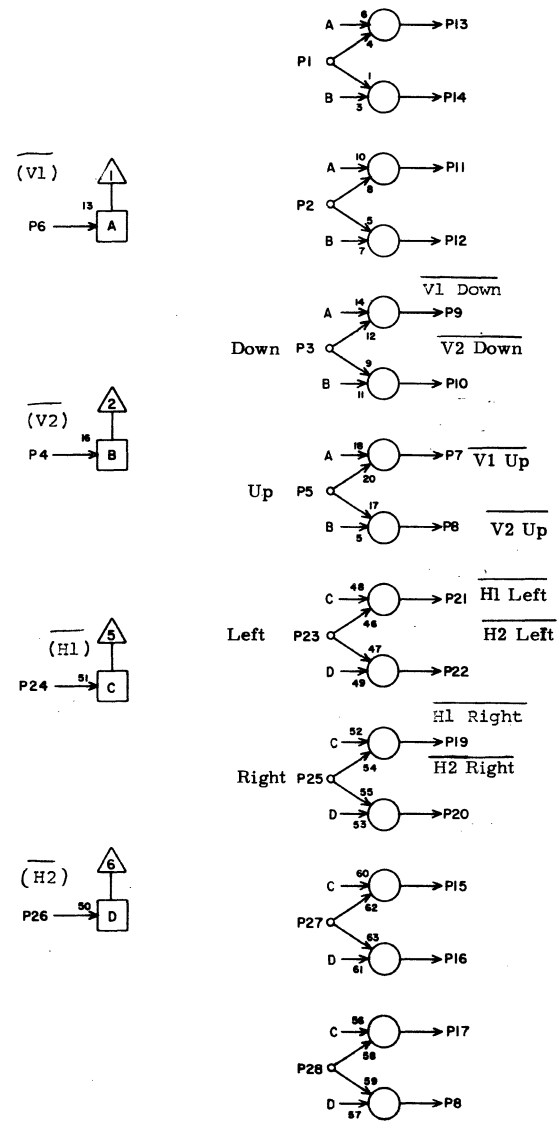
REVERSE DIRECTION NETWORK



TI		12 K31	
JACK	PIN	LG	
1	K26	11	9
2	K26	12	9
3	K26	5	9
4	K26	6	9
5	K31	X	2
6	K31	X	2
7	K31	X	2
8	K31	X	2
9	K32	4	5
10	K26	19	7
11	K32	24	3
12	K26	21	7
13	K32	6	3
14	K31	X	2
15	K26	22	9
16	K32	26	3
17	K26	23	9
18			
19	K31	X	2
20			
21			
22			
23			
24			
25			
26			
27			
28			

63016700 Rev. F

REVERSE DIRECTION NETWORK

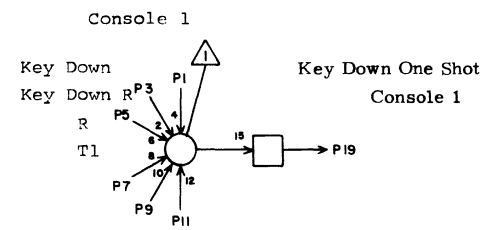


IH		12 K32	
JACK	PIN	LG	
1			
2			
3	K29	8	5
4	K31	9	5
5	K28	1	7
6	K31	13	3
7	L29	14	9
8	L29	15	9
9	L28	14	9
10	L28	15	9
11			
12			
13			
14			
15			
16			
17			
18			
19	L41	14	13
20	L41	15	13
21	L42	14	13
22	L42	15	13
23	K29	9	5
24	K31	11	3
25	K28	9	9
26	K31	16	3
27			
28			

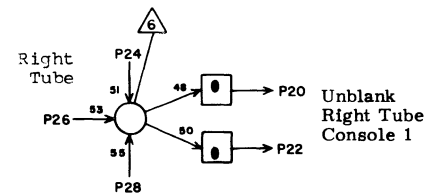
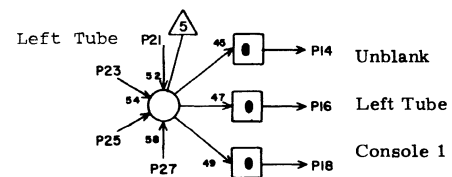
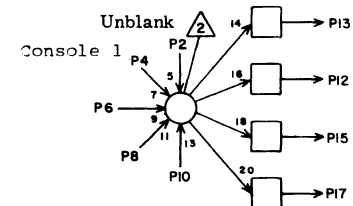
63016700 Rev. F

NX

12K34



Unblank Control, Console 1

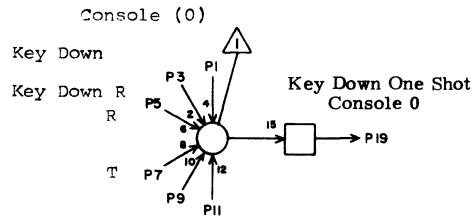


□ = No Resistor Diode

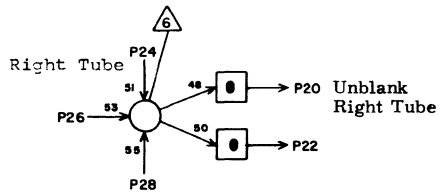
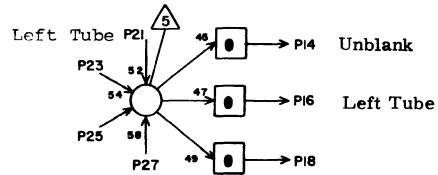
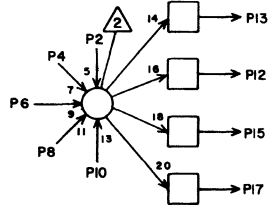
JACK	PIN	LG
1	K36	4 7
2	K36	27 7
3	K39	22 9
4	G04	28 33
5	K10	13 25
6	K34	X 2
7	K07	11 31
8	K34	X 2
9	K34	X 2
10	K34	X 2
11	K34	X 2
12	K34	24 5
13	K34	21 5
14	W21	98
15		
16		
17		
18		
19	K10	28 25
20	W21	99
21	K34	13 5
22		
23	G07	18 33
24	K34	12 5
25		
26	G07	19 33
27		
28		

12K34

63016700 Rev. F



Unblank Control, Console 0



□ = No Resistor Diode

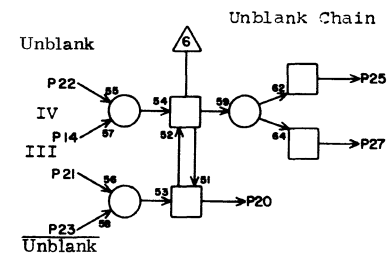
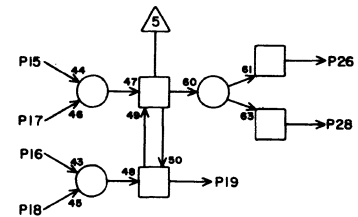
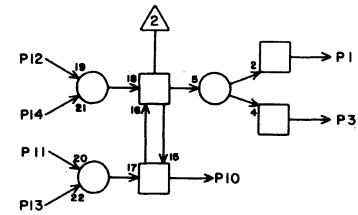
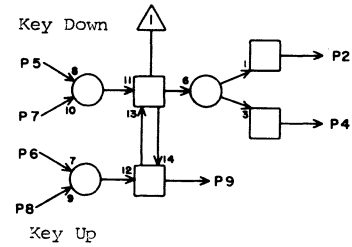
NX 12K35

1	K37	4	7
2	K36	25	5
3	K39	12	7
4	G04	27	33
5	K10	11	27
6	K35	X	2
7	K07	9	31
8	K35	X	2
9	K35	X	2
10	K35	X	2
11	K35	X	2
12	K35	24	5
13	K35	21	5
14	12W19	98	
15			
16			
17			
18			
19	K10	1	27
20	12W19	99	
21	K35	13	5
22			
23	G07	16	33
24	K35	12	5
25			
26	G07	23	33
27			
28			

JACK PIN LG

63016700 Rev. F

Console 1

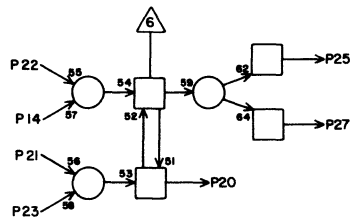
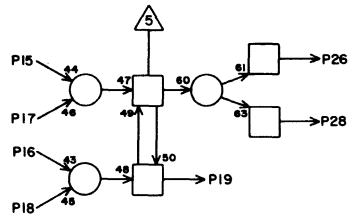
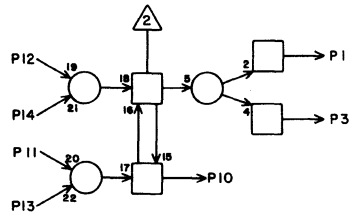
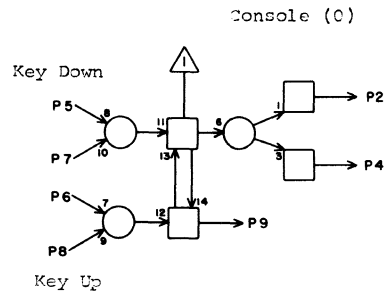


AA 12 K36

1	K38	5	5
2	K36	12	3
3			
4	K34	1	7
5	L06	17	31
6	K36	X	2
7	K36	X	2
8	L06	14	31
9	K36	15	3
10			
11	K36	X	2
12	K36	2	3
13	K36	19	5
14	K36	26	5
15	K36	9	3
16	K36	X	2
17	K36	X	2
18	K38	6	7
19	K36	13	5
20			
21	I13	7	25
22	K30	20	9
23	K30	28	9
24	I13	12	25
25	K35	2	5
26	K36	14	5
27	K34	2	7
28			

JACK PIN LG

63016700 Rev. F

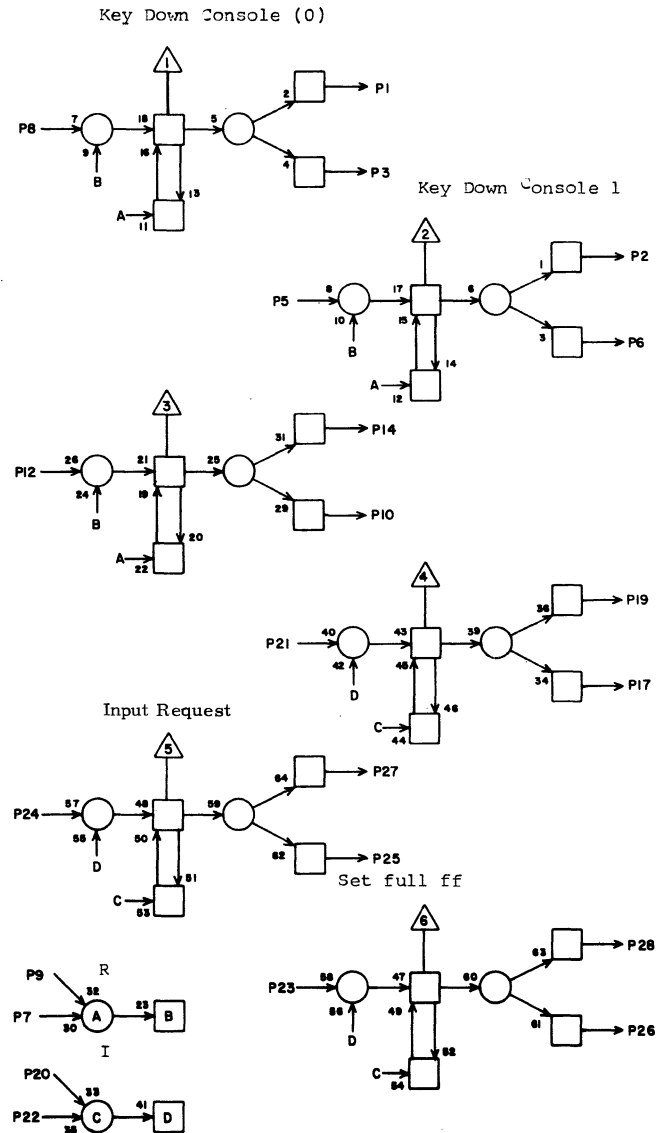


AA 12 K37

1	K38	9	3
2	K37	12	3
3			
4	K35	1	7
5	L05	17	31
6	K37	X	2
7	K37	X	2
8	L05	14	31
9	K37	15	5
10			
11	K37	X	2
12	K37	2	3
13	K37	19	3
14	K37	26	3
15	K37	9	5
16	K37	X	2
17	K37	X	2
18	K38	3	5
19	K37	13	3
20			
21			
22			
23			
24			
25			
26	K37	14	3
27			
28			

JACK PIN LG

63016700 Rev. F



12K38

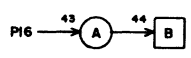
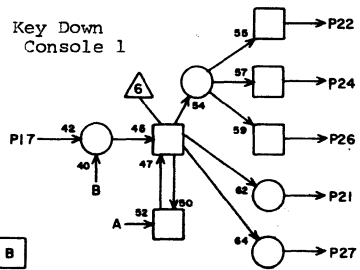
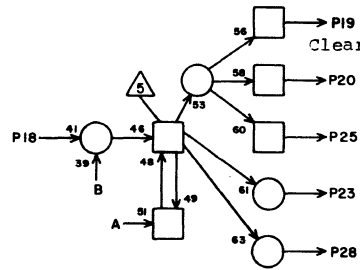
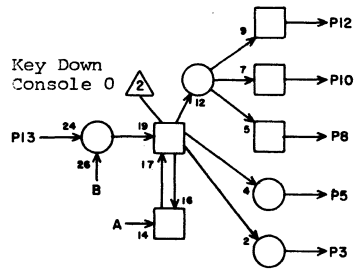
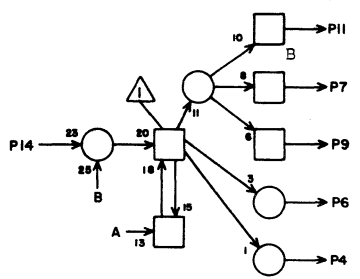
PA 12 K38

1	K39	13	5
2	K39	17	5
3	K37	18	5
4			
5	K36	1	5
6	K36	18	7
7	K07	15	35
8	K37	1	3
9	K10	9	27
10			
11			
12			
13			
14			
15			
16			
17			
18			
19			
20	K07	6	35
21			
22	K38	X	2
23	K39	11	5
24	K39	19	3
25	I08	21	31
26	J09	26	31
27	K39	14	3
28	J09	25	31

JACK PIN LG

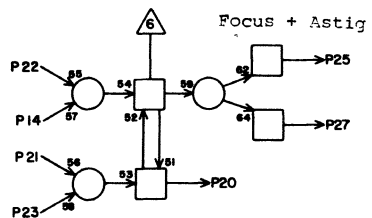
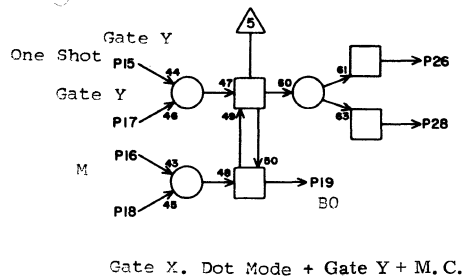
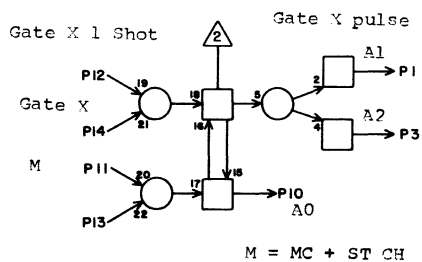
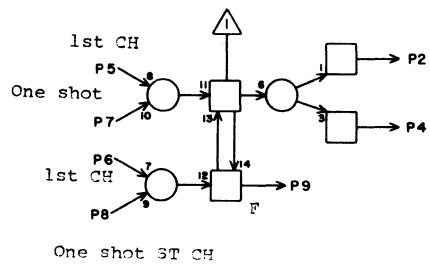
63016700 Rev. F

PD 12K39



JACK	PIN	LG
1		
2		
3		
4		
5		
6		
7	I03	7 35
8		
9	I03	3 35
10		
11	K38	23 5
12	K35	3 7
13	K38	1 5
14	K38	27 3
15		
16	J04	2 33
17	K38	2 5
18	K27	19 15
19	K38	24 3
20	K28	24 13
21		
22	K34	3 9
23		
24		
25		
26		
27		
28		

Clear InputRequest



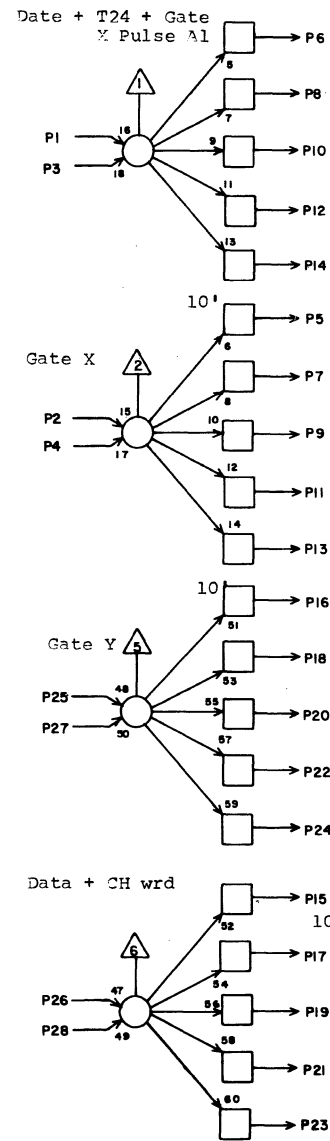
AA

12L07

1	L15	3	11
2	H06	15	19
3	I04	18	15
4			
5	J02	8	13
6	H06	10	19
7	J06	4	13
8	L12	11	7
9	I05	2	17
10	L14	21	11
11	L15	14	75
12	L12	18	9
13	L07	X	2
14	L10	7	7
15	L12	20	9
16	L15	8	75
17	L10	18	5
18	L07	X	2
19	L14	25	11
20			
21	L07	X	2
22	I04	16	15
23	I05	16	15
24	L07	X	2
25	12W18	908	
26			
27	12V20	908	
28	L15	6	11
	JACK	PIN	LG

63016700 Rev. F

Advance X



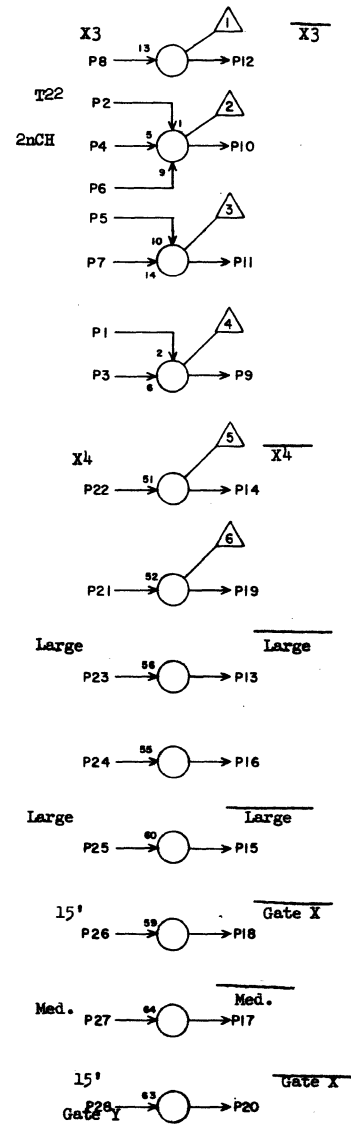
12L10

T D 12L10

1	I04	19	15
2	K09	17	5
3	K07	26	7
4	L10	X	2
5	L12	26	180
6	L17	22	11
7	L07	14	7
8	L17	11	11
9	I05	18	15
10	L18	22	11
11	L17	13	11
12	L18	11	11
13	L18	13	11
14			
15	I04	22	17
16	L12	28	180
17	J06	13	120
18	L07	17	5
19	J06	18	13
20	I05	24	15
21	I05	13	17
22	I03	2	19
23			
24	I04	2	17
25	K09	26	7
26	K09	23	7
27	L10	X	2
28	L10	X	2

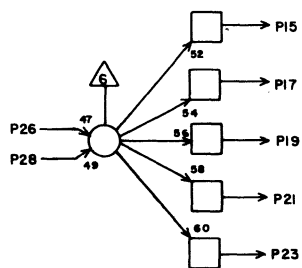
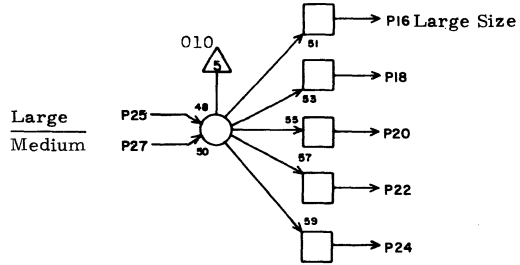
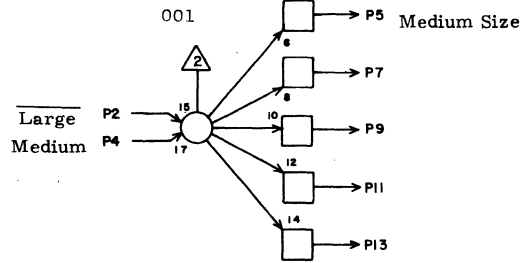
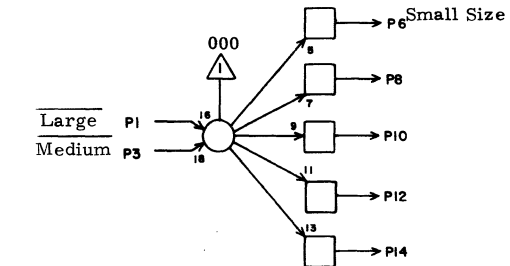
JACK PIN LG

63016700 Rev. F



	JACK	PIN	LG
1	I03	15	15
2	J22	19	15
3	I13	25	13
4	J02	21	15
5	I03	13	15
6			
7	I13	23	45
8	L19	2	11
9	H06	6	23
10	I05	26	15
11	L07	8	7
12	L14	10	5
13	L14	12	5
14	L14	15	5
15	L14	17	5
16			
17	L14	14	5
18	L07	12	9
19			
20	L07	15	9
21			
22	L19	5	11
23	L13	16	3
24			
25	L13	18	3
26	L10	05	180
27	L13	5	5
28	L10	16	180

CHARACTER SIZE FAN-OUTS

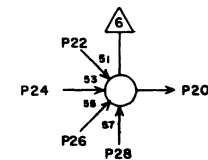
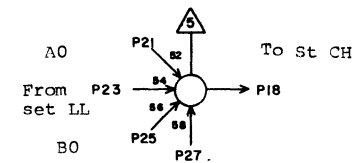
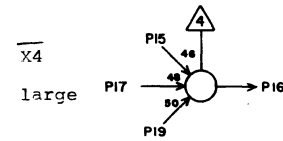
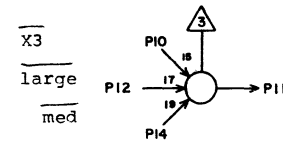
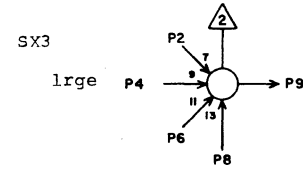
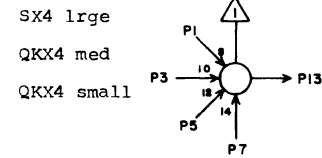


T D 12 L13

1	L15	18	5
2	L15	16	5
3	L15	19	5
4	G04	2	25
5	L12	27	5
6	J09	12	13
7	J09	4	13
8	I04	23	17
9	I04	27	17
10	12W19	900	
11	12W19	901	
12	12W21	900	
13	12W21	901	
14			
15			
16	L12	23	3
17			
18	L12	25	3
19			
20	J09	3	15
21			
22	L14	4	5
23			
24			
25	G04	1	25
26			
27	L15	23	5
28			

JACK PIN LG

63016700 Rev. F



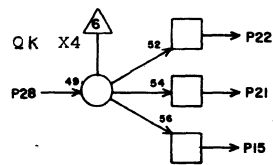
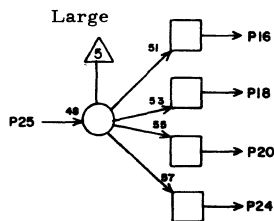
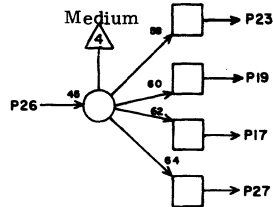
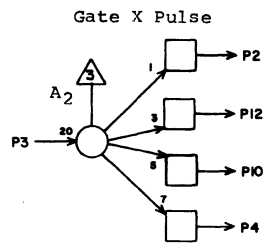
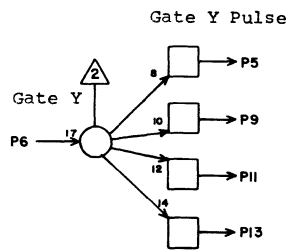
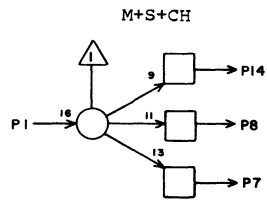
12L14

T I 12 L14

1	J09	13	13
2	I11	19	15
3	J09	9	13
4	L13	22	5
5	J09	11	13
6	L14	X	2
7	L14	X	2
8	L14	X	2
9	I04	26	17
10	L12	12	5
11	L20	13	9
12	L12	13	5
13	L17	8	5
14	L12	17	5
15	L12	14	5
16	L20	14	9
17	L12	15	5
18	I06	21	17
19	L14	X	2
20			
21	L07	10	11
22			
23	I03	14	19
24			
25	L07	19	11
26			
27			
28			

JACK PIN LG

63016700 Rev. F

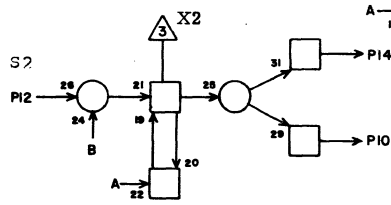
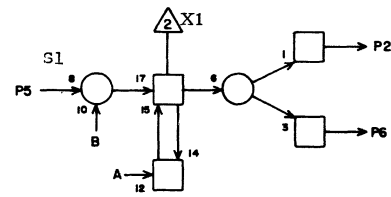
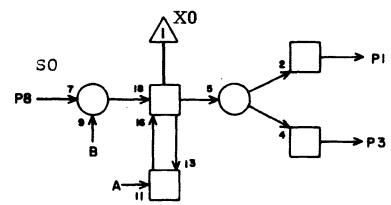


TH 12L15

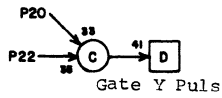
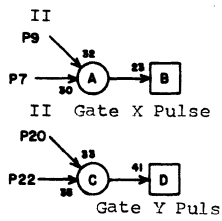
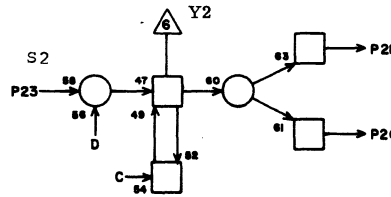
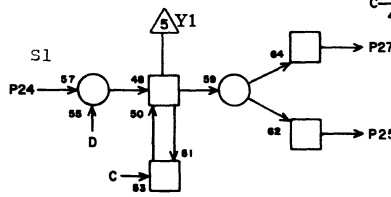
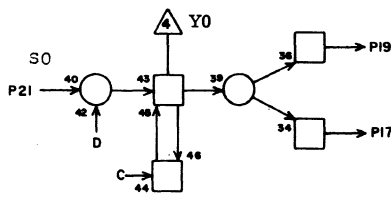
1	I05	11	17
2	L16	7	5
3	L07	1	11
4			
5	L16	20	3
6	L07	28	11
7			
8	L07	16	75
9	L22	9	11
10			
11	L22	20	11
12	I04	13	19
13	I04	17	19
14	L07	11	75
15			
16	L13	2	5
17			
18	L13	1	5
19	L13	3	5
20			
21	J09	10	15
22	J09	2	15
23	L13	27	5
24			
25	G04	4	27
26	G04	11	25
27			
28	L20	24	9

JACK PIN LG
63016700 Rev. F

X REGISTER



Y REGISTER

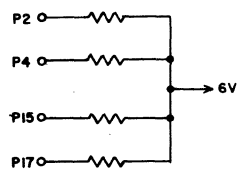
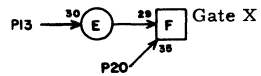
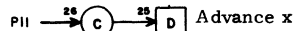
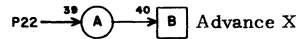
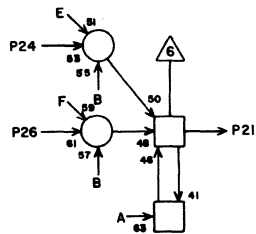
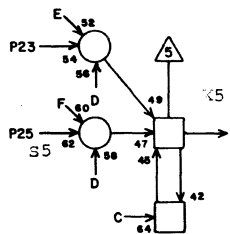
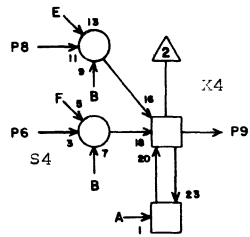
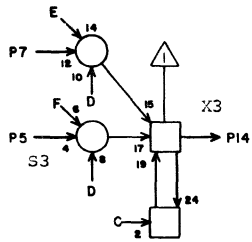


PA 12L16

1	(12W18	90)	
2	(12W18	91)	
3	(12W20	90)	
4			
5	G08	5	25
6	(12W20	91)	
7	L15	2	5
8	G08	14	25
9	K07	24	13
10	(12W20	92)	
11			
12	G08	2	25
13			
14	(12W18	92)	
15			
16			
17	(12W20	99)	
18			
19	(12W18	99)	
20	L15	5	3
21	G08	8	25
22	K07	22	13
23	G08	12	25
24	G08	9	25
25	(12W20	900)	
26	(12W20	901)	
27	(12W18	900)	
28	(12W18	901)	

JACK PIN LG
63016700 Rev. F

X REGISTER



PC

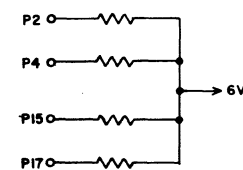
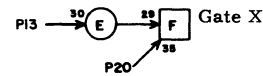
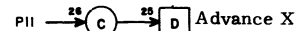
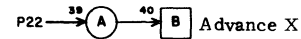
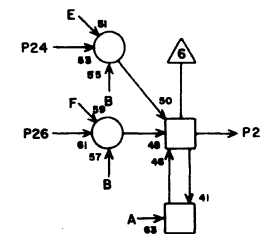
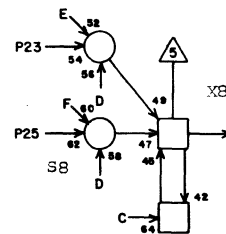
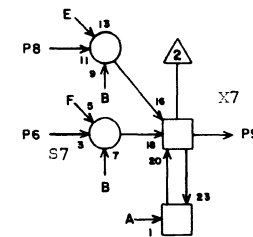
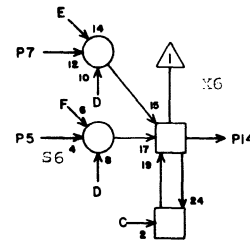
12L17

1			
2	105	12	19
3			
4	105	17	19
5	G08	23	25
6	G08	16	23
7	104	28	19
8	L14	13	5
9	L19	6	5
10			
11	L10	8	11
12			
13	L10	11	11
14	L19	3	5
15	105	25	17
16			
17	K06	22	15
18	L19	1	5
19			
20	L17	X	2
21			
22	L10	6	11
23	L20	20	7
24			
25	G08	22	25
26			
27			
28			

JACK PIN LG

63016700 Rev. F

X REGISTER



PC

12L18

1			
2			
3			
4			
5	G07	14	25
6	G07	5	25
7	L21	9	5
8	L21	24	5
9	L19	25	5
10			
11	L10	12	11
12			
13	L10	13	11
14	L19	26	5
15			
16			
17			
18	L19	28	3
19			
20	L18	X	2
21			
22	L10	10	11
23	L21	20	5
24			
25	G07	2	27
26			
27			
28			

JACK PIN LG

63016700 Rev. F

12L18

X REGISTER INCREMENTOR,
CHARACTER MODE

TH 12L19

1	L17	18	5
2	L12	8	11
3	L17	14	5
4	12W20	93	
5	L12	22	11
6	L17	9	5
7	(12W20)	(95)	
8	(12W18)	(95)	
9	I11	24	17
10	(12W18)	(93)	
11	(12W18)	(94)	
12	I11	21	17
13	(12W20)	(94)	
14	L20	18	5
15	12W20	98	
16	L21	14	5
17	(12W20)	(96)	
18	(12W18)	(97)	
19	12W18	96	
20	12W20	97	
21	(12W18)	(98)	
22	L21	18	5
23	L21	13	5
24			
25	L18	9	5
26	L18	14	5
27			
28	L18	18	3

JACK PIN LG

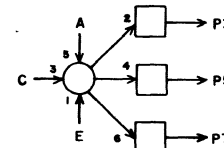
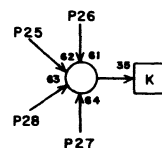
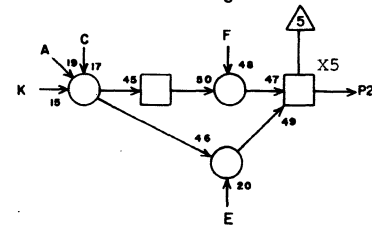
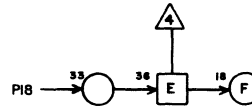
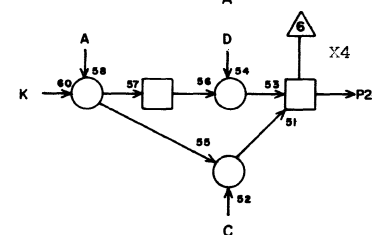
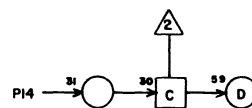
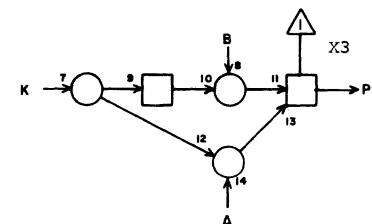
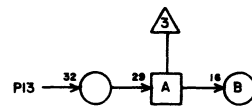
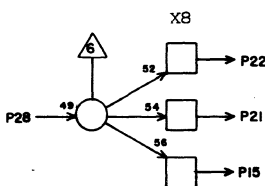
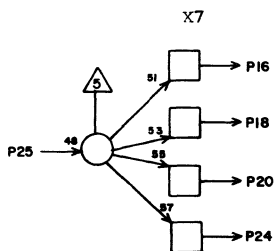
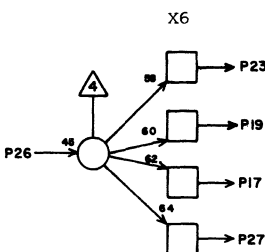
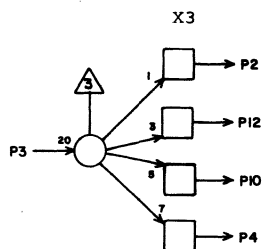
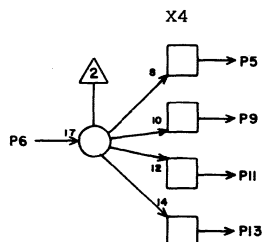
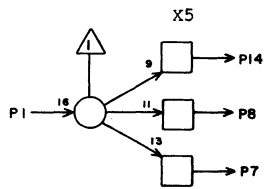
63016700 Rev. F

QK 12L20

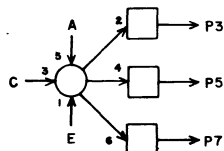
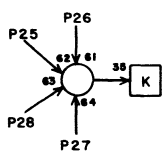
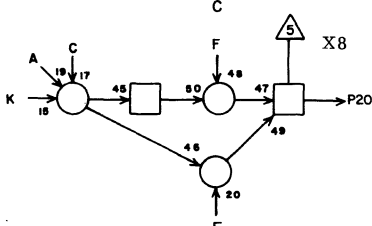
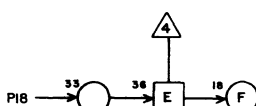
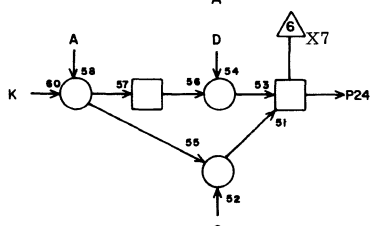
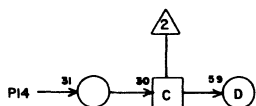
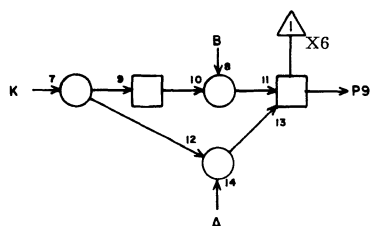
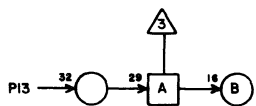
1			
2			
3	L21	26	5
4			
5			
6			
7			
8			
9	I04	21	21
10			
11			
12			
13	L14	11	9
14	L14	16	9
15			
16			
17			
18	L19	14	5
19			
20	L17	23	7
21			
22			
23			
24	L15	28	9
25	L20	X	2
26	L20	X	2
27	L20	X	2
28	L20	X	2

JACK PIN LG

63016700 Rev. F



X REGISTER INCREMENTOR,
CHARACTER MODE



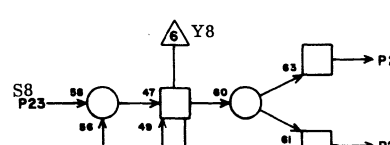
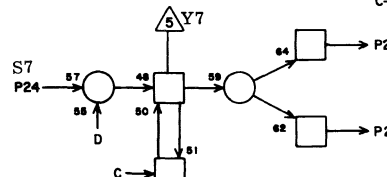
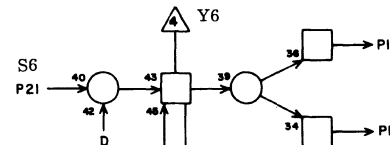
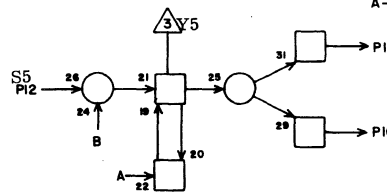
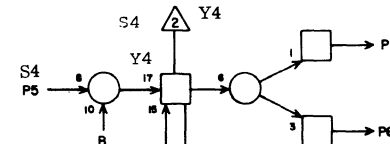
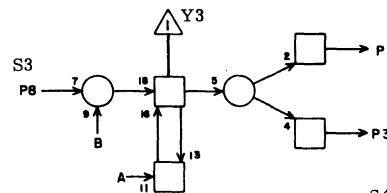
QK 12L21

1			
2			
3			
4			
5			
6			
7			
8			
9	L18	7	5
10			
11			
12			
13	L19	23	5
14	L19	16	5
15			
16			
17			
18	L19	22	5
19			
20	L18	23	5
21			
22			
23			
24	L18	8	5
25	L21	X	2
26	L20	3	5
27	L21	X	2
28	L21	X	2

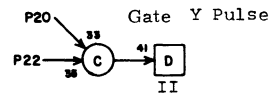
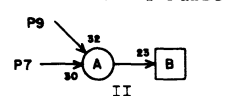
JACK PIN LG

63016700 Rev. F.

Y REGISTER



Gate Y Pulse



PA 12L22

1	(12W18 902)		
2	(12W18 903)		
3	(12W20 902)		
4			
5	G08	18	25
6	(12W20 903)		
7	K07	20	17
8	G08	19	25
9	L15	9	11
10	(12W20 904)		
11			
12	G08	21	25
13			
14	(12W18 904)		
15			
16			
17	(12W20 905)		
18			
19	(12W18 905)		
20	L15	11	11
21	G07	8	27
22	K07	18	17
23	G07	12	27
24	G07	9	27
25	(12W20 906)		
26	(12W20 907)		
27	(12W18 906)		
28	(12W18 907)		

JACK PIN LG

63016700 Rev. F

12L22

1

2

3

4

5

6

7

8

9

10

11

12

13

14

15

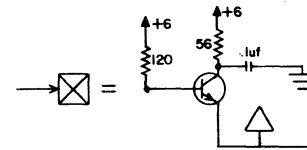
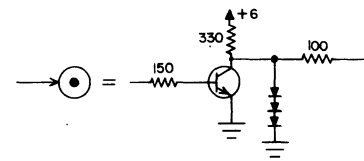
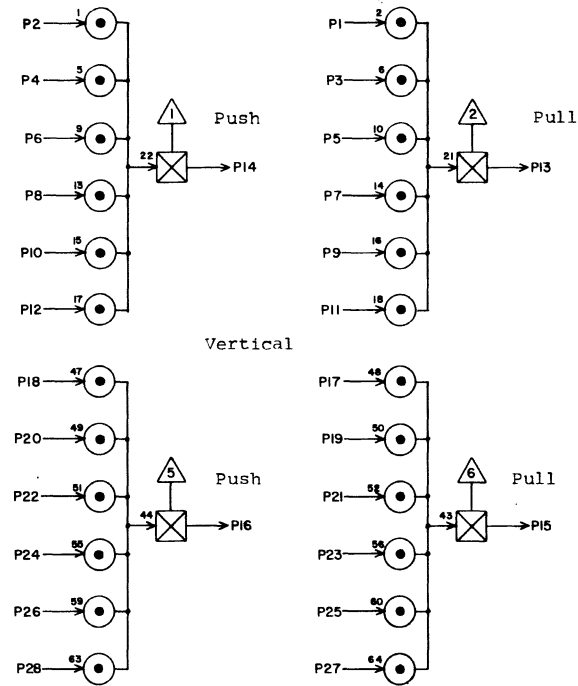
16

17

18

CHARACTER FORMATION

Horizontal Console (1)

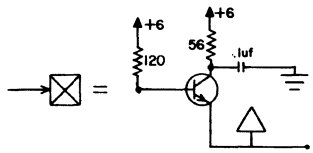
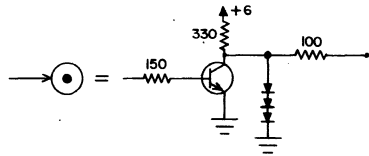
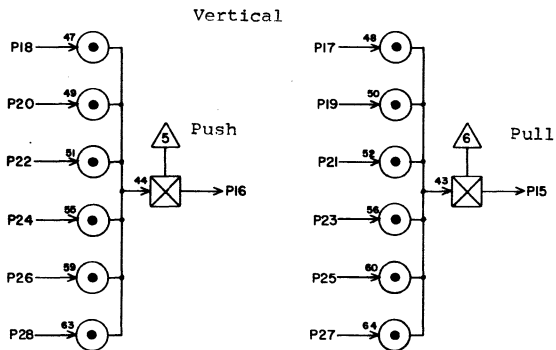
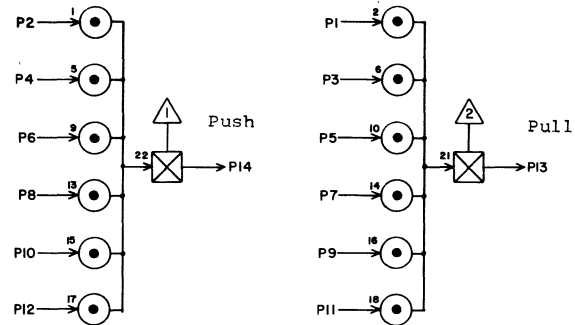


AF 12 L26

1	K29	18	5
2	L36	7	13
3	L36	11	13
4	L36	10	13
5	L36	27	13
6	L36	15	13
7	L36	24	13
8	L35	15	13
9	L35	24	13
10	K29	21	7
11	L35	27	13
12	L38	27	15
13	12W21	906	
14	12W21	905	
15	12W21	904	
16	12W21	903	
17	K29	19	7
18	L34	7	13
19	L34	11	13
20	L34	10	13
21	L34	27	13
22	L34	15	13
23	L34	24	13
24	L35	7	13
25	L35	13	13
26	K29	12	9
27	L35	4	13
28	L31	3	9

JACK PIN LG

CHARACTER FORMATION
Horizontal Console (o)

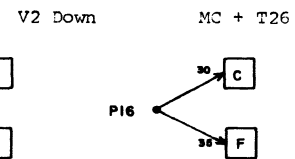
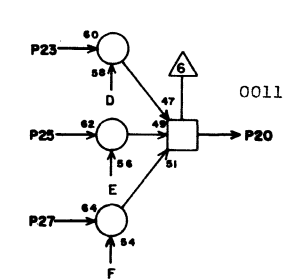
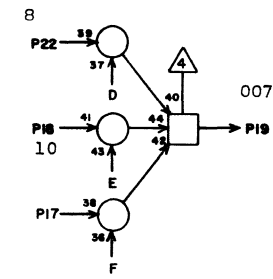
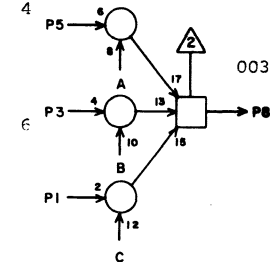
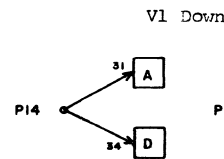
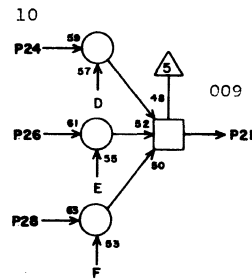
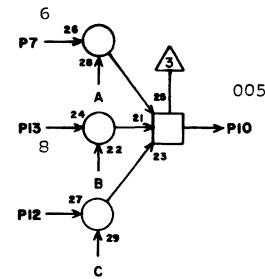
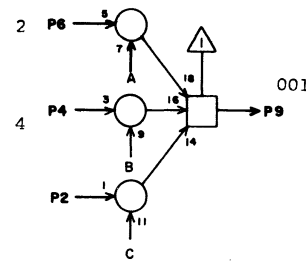


AF 12L27

1	K29	16	5
2	L39	4	15
3	L36	9	13
4	L39	3	15
5	L36	17	13
6	L38	4	13
7	L36	20	13
8	L38	3	13
9	L35	20	13
10	L38	28	13
11	L35	17	13
12	L38	25	13
13	12W19	906	
14	12W19	905	
15	12W19	904	
16	12W19	903	
17	K29	23	7
18	L32	4	9
19	L34	9	9
20	L32	3	9
21	L34	17	9
22	L32	28	9
23	L34	20	9
24	L32	27	9
25	L35	11	11
26	L31	2	9
27	L35	10	11
28	L31	1	9

JACK PIN LG

63016700 Rev. F

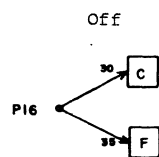
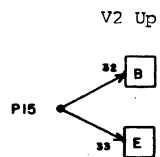
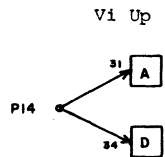
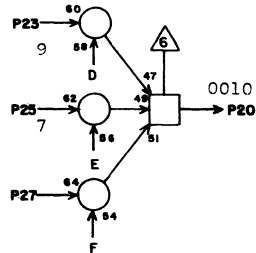
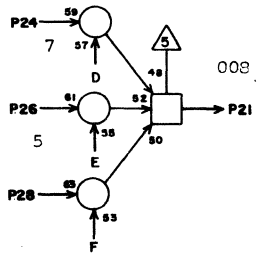
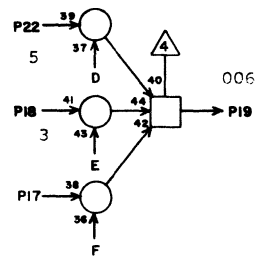
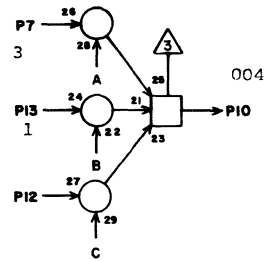
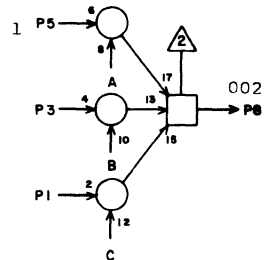
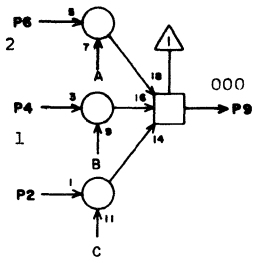


TE 12L28

1	L28	X	2
2	L28	X	2
3	L34	16	9
4	L34	23	9
5	L34	19	9
6	L34	5	9
7	L34	18	9
8	L31	22	5
9	L31	15	5
10	L30	5	5
11			
12	L28	X	2
13	L35	5	11
14	K32	9	9
15	K32	10	9
16	J06	28	23
17	L28	X	2
18	L35	2	11
19	L30	12	7
20	L30	22	7
21	L30	15	7
22	L35	9	11
23	L28	X	2
24	L35	12	11
25	L28	X	2
26	L28	X	2
27	L28	X	2
28	L28	X	2

JACK PIN LG

63016700 Rev. F



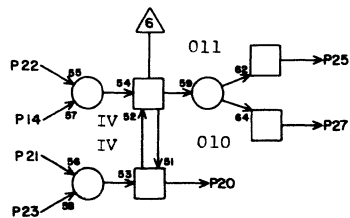
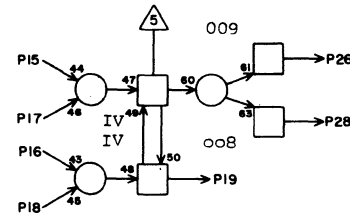
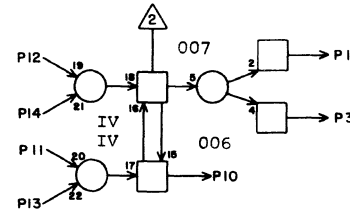
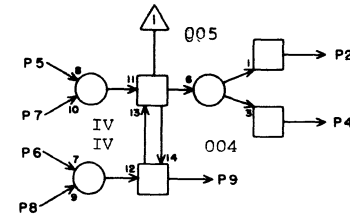
TE **12L29**

1	L29	X	2
2	L29	X	2
3	L29	X	2
4	L29	X	2
5	L34	14	9
6	L29	X	2
7	L34	2	9
8	L31	23	5
9	L31	18	5
10	L30	8	3
11			
12	L29	X	2
13	L34	8	9
14	K32	7	9
15	K32	8	9
16	L29	X	2
17	L29	X	2
18	L34	12	9
19	L30	13	3
20	L30	23	5
21	L30	19	3
22	L34	22	9
23	K29	2	9
24	L35	14	9
25	L35	8	9
26	L34	21	9
27	L29	X	2
28	L29	X	2

JACK PIN LG

63016700 Rev. F

Vert CH Formation



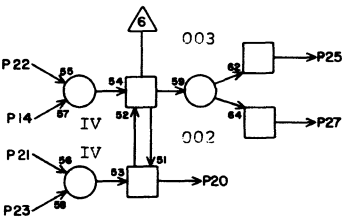
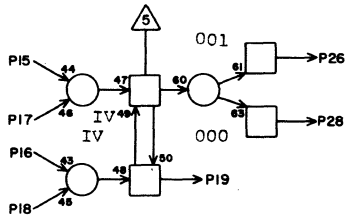
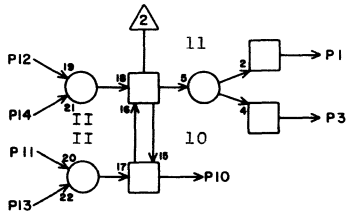
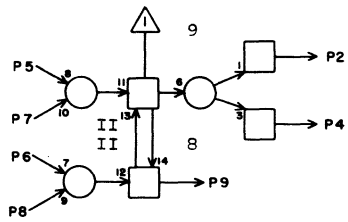
12L30

AA 12 **L30**

1	L32	23	5
2	L32	18	5
3			
4			
5	L28	10	5
6	L33	25	5
7	L33	27	5
8	L29	10	3
9	L32	15	5
10	L32	22	5
11	L33	21	5
12	L28	19	7
13	L29	19	3
14	L33	23	7
15	L28	21	7
16	L33	28	5
17	L33	19	5
18	L29	21	3
19	L31	5	5
20	L31	12	3
21	L33	24	5
22	L28	20	7
23	L29	20	5
24	L33	26	5
25	L31	13	5
26	L31	8	5
27			
28			

JACK PIN LG

63016700 Rev. F



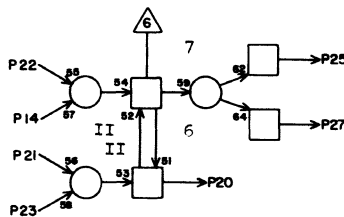
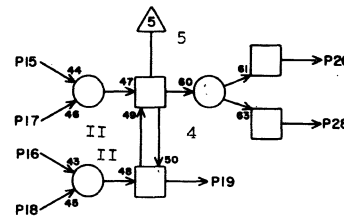
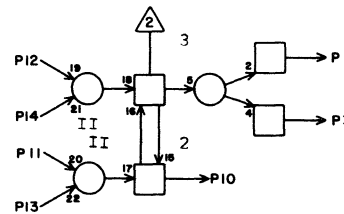
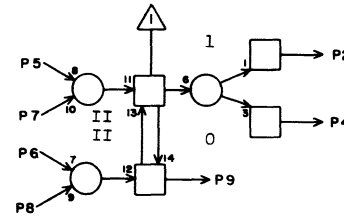
AA 12 L31

1	L27	28	9
2	L27	26	9
3	L26	28	9
4	K29	3	7
5	L30	19	5
6	L37	25	11
7	L37	27	11
8	L30	26	5
9	L35	6	9
10	L35	3	9
11	L37	21	11
12	L30	20	3
13	L30	25	5
14	L37	23	11
15	L29	9	5
16	L33	20	5
17	L33	22	5
18	L29	9	5
19	L32	5	5
20	L32	12	5
21	L33	19	5
22	L29	8	5
23	L29	9	5
24	L33	17	5
25	L32	13	5
26	L32	9	5
27			
28			

JACK PIN LG

63016700 Rev. F

Vert CH Formation



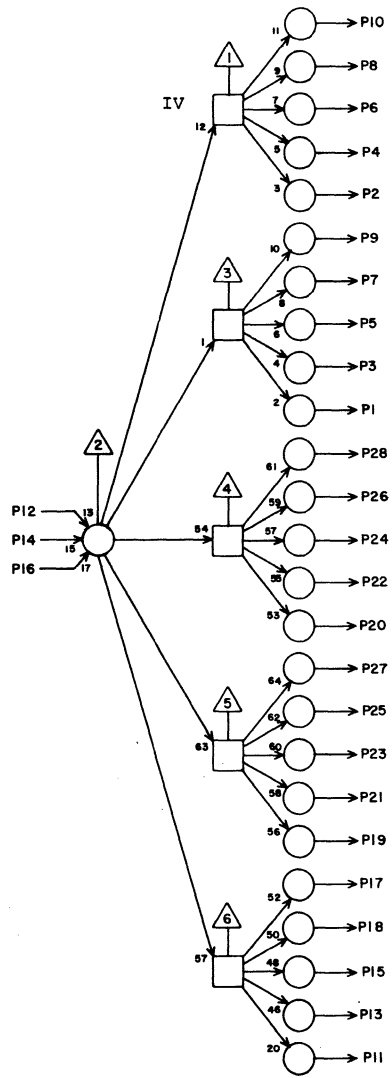
AA 12 L32

1	L34	3	5
2	L34	1	5
3	L27	20	9
4	L27	18	9
5	L31	19	5
6	L37	28	9
7	L37	19	9
8	L31	26	5
9	K29	26	9
10	L34	6	5
11	L37	24	9
12	L31	20	5
13	L31	25	5
14	L37	26	9
15	L30	9	5
16	L37	20	9
17	L37	22	9
18	L30	2	5
19	L34	26	5
20	L34	25	5
21	L37	18	9
22	L30	10	5
23	L30	1	5
24	L37	17	9
25	L35	1	7
26	L34	29	5
27	L27	24	9
28	L27	22	9

JACK PIN LG

63016700 Rev. F.

CLOCK



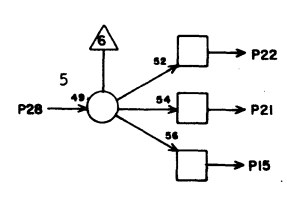
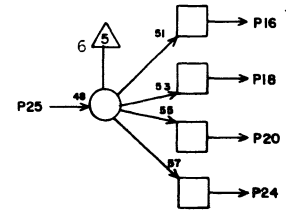
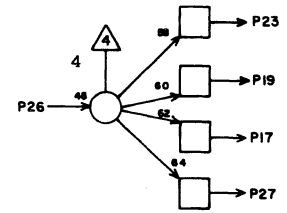
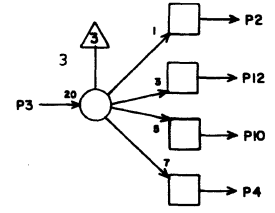
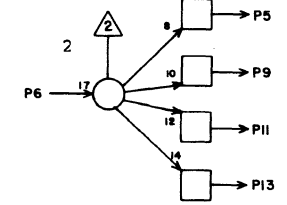
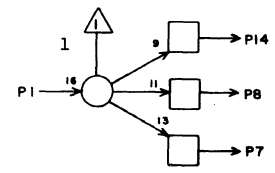
CA 12 L33

1	L39	17	9
2	L40	6	11
3	L39	16	9
4	L40	14	11
5	L39	24	11
6	L40	11	11
7	L39	21	11
8	L40	17	11
9	L40	7	11
10	L40	16	11
11	L40	24	11
12	J03	21	29
13	L40	21	11
14	L33	x	2
15	K30	16	9
16	L33	x	2
17	L31	24	5
18	L31	21	5
19	L30	17	5
20	L31	16	5
21	L30	11	5
22	L31	17	5
23	L30	14	7
24	L30	21	5
25	L30	6	5
26	L30	24	5
27	L30	7	5
28	L30	16	5

JACK PIN LG

63016700 Rev. F

VERT. CH. FORMATION



TH 12L34

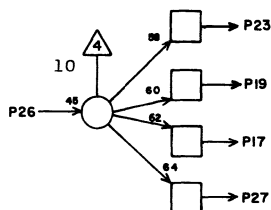
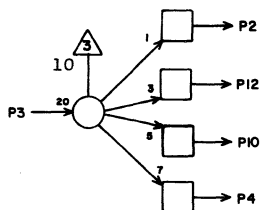
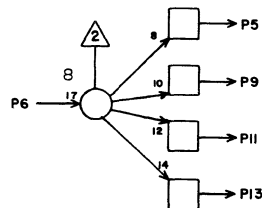
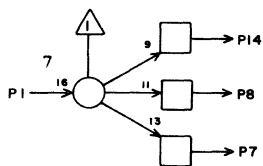
1	L32	2	5
2	L29	7	9
3	L32	1	5
4			
5	L28	6	9
6	L32	10	5
7	L26	18	13
8	L29	13	9
9	L27	19	9
10	L26	20	13
11	L26	19	13
12	L29	18	9
13			
14	L29	5	9
15	L26	22	13
16	L28	3	9
17	L27	21	9
18	L28	7	9
19	L28	5	9
20	L27	23	9
21	L29	26	9
22	L29	22	9
23	L28	4	9
24	L26	23	13
25	L32	20	5
26	L32	19	5
27	L26	21	13
28	L32	26	5

JACK PIN LG

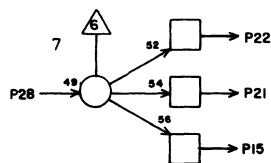
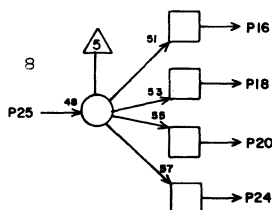
63016700 Rev. F

12L34

Vert. CH Foundation



Horizontal CH Foundation

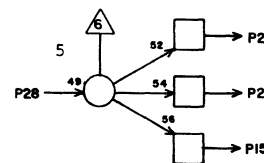
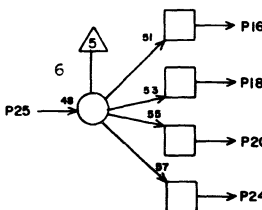
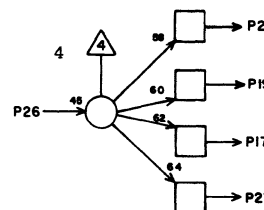
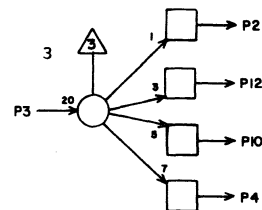
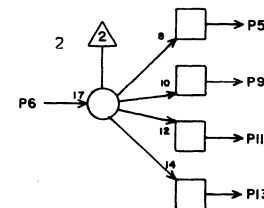
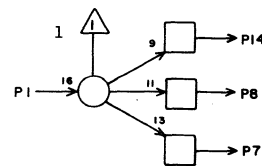


TH 12L35

1	L32	25	7
2	L28	18	11
3	L31	10	9
4	L26	27	13
5	L28	13	11
6	L31	9	9
7	L26	24	13
8	L29	25	9
9	L28	22	11
10	L27	27	11
11	L27	25	11
12	L28	24	11
13	L26	25	13
14	L29	24	9
15	L26	8	13
16	L42	13	11
17	L27	11	13
18	L42	22	11
19	L42	24	11
20	L27	9	13
21	L41	25	11
22	L41	24	11
23	L42	18	11
24	L26	9	13
25	L38	19	9
26	L38	20	11
27	L26	11	13
28	L38	1	9

JACK PIN LG

63016700 Rev. F



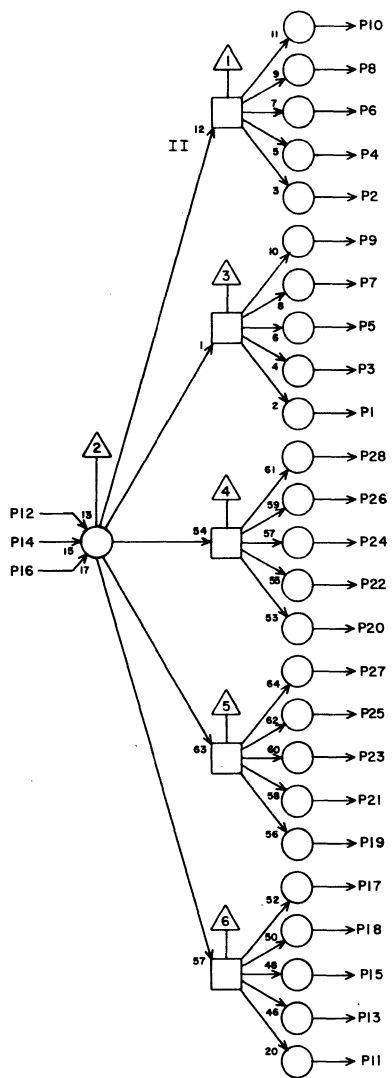
TH 12L36

1	L39	2	5
2	L41	7	9
3	L39	1	5
4			
5	L42	6	9
6	L39	10	9
7	L26	2	13
8	L41	13	9
9	L27	3	13
10	L26	4	13
11	L26	3	13
12	L41	18	9
13			
14	L41	5	9
15	L26	6	13
16	L42	3	9
17	L27	5	13
18	L42	7	9
19	L42	5	9
20	L27	7	13
21	L41	26	9
22	L41	22	9
23	L42	4	9
24	L26	7	13
25	L38	10	5
26	L38	9	5
27	L26	5	13
28	L38	2	5

JACK PIN LG

63016700 Rev. F

CLOCK



CA

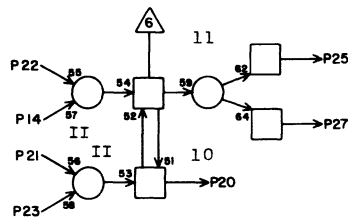
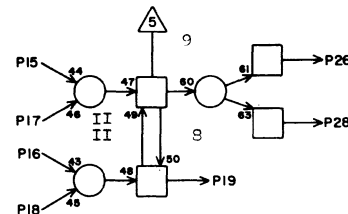
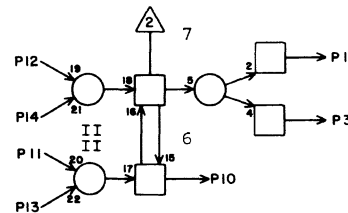
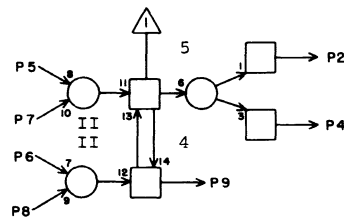
12L37

1	L38	7	3
2	L38	16	3
3	L38	6	3
4	L38	24	5
5	L38	14	3
6	L38	21	5
7	L38	11	3
8	L39	7	5
9	L38	17	5
10	L39	6	5
11	L39	14	5
12	J03	3	33
13	L39	11	5
14	L37	X	2
15	K28	16	13
16	L37	X	2
17	L32	24	9
18	L32	21	9
19	L32	7	9
20	L32	16	9
21	L31	11	11
22	L32	17	9
23	L31	14	11
24	L32	11	9
25	L31	6	11
26	L32	14	9
27	L31	7	11
28	L32	6	9

JACK PIN LG

63016700 Rev. F

Horizontal CH Formation



AA

12 L39

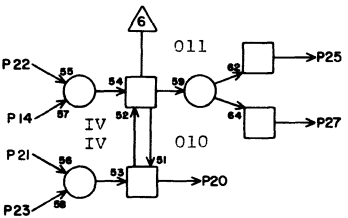
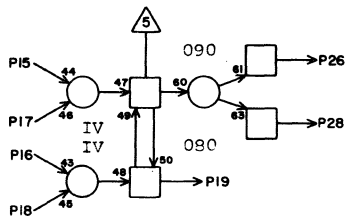
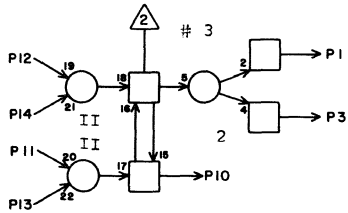
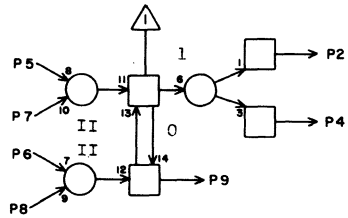
1	L35	29	9
2	L36	28	5
3	L27	9	13
4	L27	6	13
5	L40	19	5
6	L37	2	3
7	L27	1	3
8	L40	26	5
9	L36	26	5
10	L36	25	5
11	L37	7	3
12	L40	20	5
13	L40	25	5
14	L37	5	3
15	L39	19	3
16	L37	2	3
17	L37	9	5
18	L39	26	3
19	L35	25	9
20	L35	26	11
21	L37	6	5
22	L39	20	3
23	L39	25	3
24	L37	4	5
25	L27	12	13
26	K29	28	13
27	L26	12	15
28	L27	10	13

JACK PIN LG

63016700 Rev. F

12L38

Horizontal CH Formation



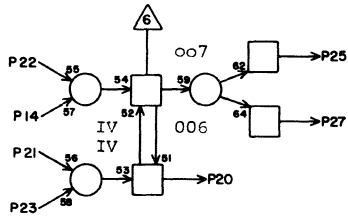
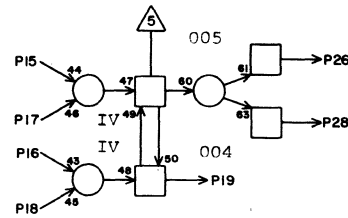
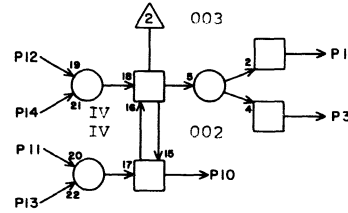
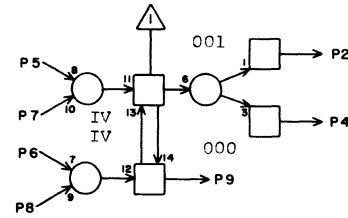
AA 12 L39

1	L36	3	5
2	L36	1	5
3	L27	4	15
4	L27	2	15
5	L40	9	3
6	L37	10	5
7	L37	9	5
8	L40	2	3
9	K29	25	13
10	L36	6	9
11	L37	13	5
12	L40	10	3
13	L40	1	3
14	L37	11	5
15	L42	21	5
16	L33	3	9
17	L33	1	9
18	L41	21	5
19	L38	15	3
20	L38	22	3
21	L33	7	11
22	L42	20	5
23	L41	20	5
24	L33	5	11
25	L38	23	3
26	L38	19	3
27			
28			

JACK PIN LG

63016700 Rev. F

Horizontal CH Formation

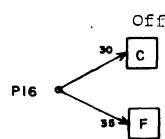
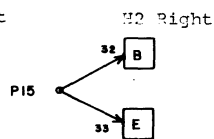
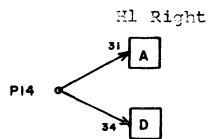
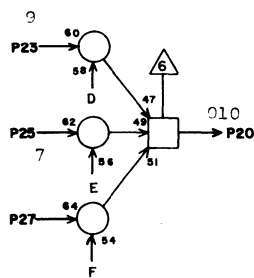
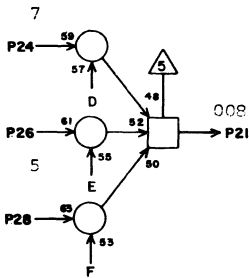
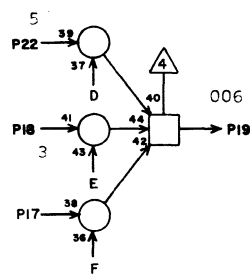
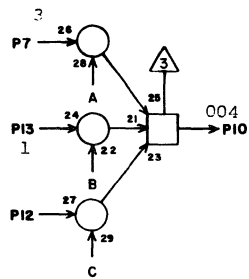
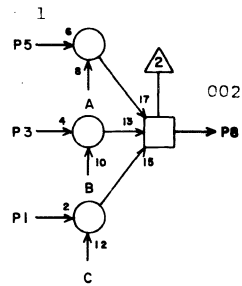
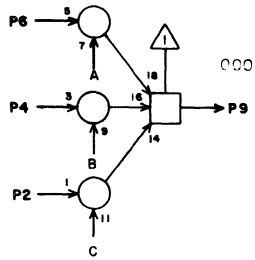


AA 12 L40

1	L39	13	3
2	L39	8	3
3			
4			
5	L42	9	5
6	L33	2	11
7	L33	9	11
8	L41	9	3
9	L39	5	3
10	L39	12	3
11	L33	6	11
12	L42	9	5
13	L41	8	3
14	L33	4	11
15	L42	10	5
16	L33	10	11
17	L33	9	11
18	L41	10	3
19	L38	5	5
20	L38	12	5
21	L33	13	11
22	L42	19	5
23	L41	10	3
24	L33	11	11
25	L38	13	5
26	L38	9	5
27			
28			

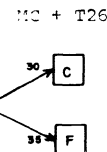
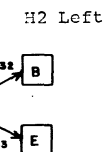
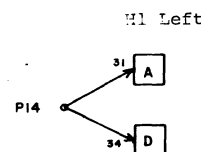
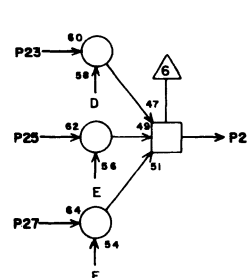
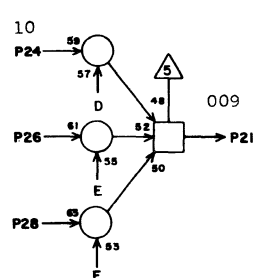
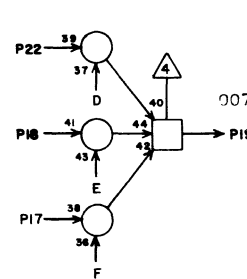
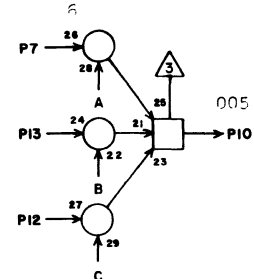
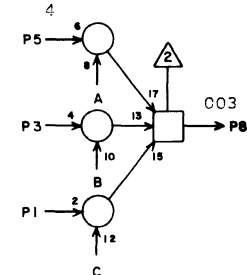
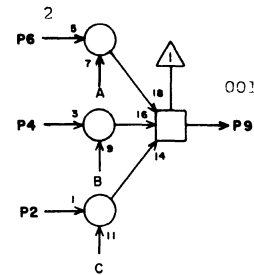
JACK PIN LG

63016700 Rev. F



TE		12L41	
1	L41	X	2
2	L41	X	2
3	L41	X	2
4	L41	X	2
5	L36	14	9
6	L41	X	2
7	L36	2	9
8	L40	13	3
9	L40	8	3
10	L40	18	3
11			
12	L41	X	2
13	L36	8	9
14	K32	19	13
15	K32	20	13
16	L41	X	2
17	L41	X	2
18	L36	12	9
19	L40	23	3
20	L39	23	5
21	L39	18	5
22	L36	22	9
23	K29	22	15
24	L35	22	11
25	L35	21	11
26	L36	21	9
27	L41	X	2
28	L41	X	2
	JACK	PIN	LG

63016700 Rev. F



TE		12L42	
1	L42	X	2
2	L42	X	2
3	L36	16	9
4	L36	23	9
5	L36	19	9
6	L36	5	9
7	L36	19	9
8	L40	12	5
9	L40	5	5
10	L40	15	5
11			
12	L42	X	2
13	L35	16	11
14	K32	21	13
15	K32	22	13
16	J06	26	33
17	L42	X	2
18	L35	23	11
19	L40	22	5
20	L39	22	5
21	L39	15	5
22	L35	19	11
23	L42	X	2
24	L35	19	11
25	L42	X	2
26	L42	X	2
27	L42	X	2
28	L42	X	2
	JACK	PIN	LG

63016700 Rev. F

12L42

COMMENT SHEET

**CONTROL DATA 6601A-H/6604A-B Central Computer
Chassis 12 - Card Placement, Wire Lists (Chassis Tabs)
Pub. No. 63016700**

FROM NAME : _____

BUSINESS
ADDRESS : _____

COMMENTS: (DESCRIBE ERRORS, SUGGESTED ADDITION OR
DELETION AND INCLUDE PAGE NUMBER, ETC.)

CUT ALONG LINE

FORM CA 231

NO POSTAGE STAMP NECESSARY IF MAILED IN U. S. A.

FOLD ON DOTTED LINES AND STAPLE

STAPLE

STAPLE

FOLD

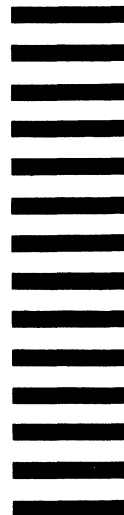
FOLD

FIRST CLASS
 PERMIT NO. 8241
 MINNEAPOLIS, MINN.

BUSINESS REPLY MAIL
 NO POSTAGE STAMP NECESSARY IF MAILED IN U.S.A.

POSTAGE WILL BE PAID BY
CONTROL DATA CORPORATION
 8100 34TH AVENUE SOUTH
 MINNEAPOLIS 20, MINNESOTA

ATTN: TECHNICAL PUBLICATIONS DEPT.
COMPUTER DIVISION
PLANT TWO



CUT ALONG LINE

FOLD

FOLD

STAPLE

STAPLE