

# SERIES E 2100

## DIRECT ACCOUNTING COMPUTERS

INCLUDES E4000, E6000  
and  
ADJUNCTS A592, A594

# Burroughs

FIELD ENGINEERING

# PARTS CATALOG



PROPERTY OF AND TO BE RETURNED TO

## Burroughs

---

PROCESSOR &  
ELECTRONICS

---

CARRIAGE &  
PROGRAM UNIT

---

CONTROL LANES

---

KEYBOARD

---

PRINTING

---

SIDE FRAMES

---

POWER,  
BASE & CASE

---

ADJUNCTS

---

### CHANGES OR ADDITIONS

On "Revised" pages, the check mark shown to the left of items or subject titles indicates changes or additions since last issue.

Refer to Basic F Parts Catalog Form 1034477 for parts not identified

### COMMON ELECTRICAL PARTS

Refer to "Electrical Parts Catalog" for common electrical parts not identified in this catalog.

INDEXPROCESSOR & ELECTRONICS - SECTION I

Plate No.

Plate No.

E2100 - E4000

Chokes . . . . .	I-14
Power Supply, Lower Base Plate . . . . .	I-1
Power Supply, Upper Base Plate . . . . .	I-4
Printed Circuit Cards . . . . .	I-11
Relays . . . . .	I-12
Stand and Connecting Accessories . . . . .	I-2
Switches . . . . .	I-13
Transformers . . . . .	I-14
Upper Gate . . . . .	I-3

E6000

Cable Connector Panel . . . . .	I-6
Chokes . . . . .	I-14
Fuse Panel and Muffin Fan Assembly . . . . .	I-10
Indicator Panel Assembly . . . . .	I-9
Main Gate Assembly . . . . .	I-8
Panels . . . . .	I-5
Power Supply . . . . .	I-7
Printed Circuit Cards . . . . .	I-11
Relays . . . . .	I-12
Switches . . . . .	I-13
Transformers . . . . .	I-14

CARRIAGE & PROGRAM UNIT - SECTION II

Beam of Light Timing Cam Assembly . . . . .	II-26
Carriage Construction . . . . .	II-1
Carriage Closing' and Opening Mechanism . . . . .	II-35
Carriage Drive Unit . . . . .	II-38
Carriage Drive Unit-Escapement Unit . . . . .	II-41
Carriage Drive Unit, Right Side . . . . .	II-39
Carriage Drive Unit Top Plate . . . . .	II-40
Carriage Open and Close Key Interlock-Stripe Ledger . . . . .	II-36
Carriage and Panel Rails . . . . .	II-4
Carriage Position Indicator . . . . .	II-18
Carriage Rail Support Frames . . . . .	II-3
Check Stop Mechanism . . . . .	II-17
Directional Control Keys and Interlock Assembly . . . . .	II-37
Form Aligning Tables . . . . .	II-2
"Infeed" Guide Assembly, Pin Feed . . . . .	II-9
Inner End Plate and Journal Paper Guide Assembly . . . . .	II-5
Journal Paper Guide and Rear Pressure Roll Assembly, Pin Feed . . . . .	II-11
Left End Plate . . . . .	II-12
Lower Pressure Rolls, Opening and Closing and Form Space Bails . . . . .	II-6
Paper Drive Motor . . . . .	II-29
Paper Drive Motor Reduction Gear Assembly . . . . .	II-30
Paper Drive Unit - Housing Assembly . . . . .	II-31

Paper Drive Unit - Pressure Roll Drive Shaft and 1/10 Spacing' Clutch Assembly . . . . .	II-32
Paper Drive Unit - Program Cam Shaft Drive Assembly . . . . .	II-33
Paper Drive Unit - Solenoids and Mounting' Hardware . . . . .	II-34
Paper Handler Assembly - Lower Pan Sub-Assembly . . . . .	II-28
Paper Handler Camshaft Assembly . . . . .	II-24
Paper Handler Carriage Tray . . . . .	II-23
Paper Handler Form Guide Assembly . . . . .	II-25
Pin Feed Form Advance Device . . . . .	II-8
Platens . . . . .	II-15
Platen Shafts and Form Spacing Mechanism . . . . .	II-14
Pressure Bracket Assembly, Pin Feed . . . . .	II-10
Pressure Finger Selection Shaft Assembly . . . . .	II-7
Program Unit Assembly . . . . .	II-20
Program Unit Component Parts . . . . .	II-21
Program Unit Latch Plate Assembly . . . . .	II-22
Rear Form Chutes . . . . .	II-19
Right End Plate . . . . .	II-13
Split Platen Spacing Control . . . . .	II-16
Variable Forms Selection Shaft . . . . .	II-27

CONTROL LANES - SECTION III

AEC Mechanism . . . . .	III-4
Carriage Movement Solenoid . . . . .	III-5
Electrical Sensing Unit Lane Switch Assembly . . . . .	III-2
Electrical Sensing Unit Tappet Assembly . . . . .	III-1
Non-Sensing Switch Assembly . . . . .	III-3
Sensing Unit Backplate Assembly . . . . .	III-6
Sensing Unit Camshaft Assembly . . . . .	III-8
Sensing Unit Tappet Block Assembly . . . . .	III-7

KEYBOARD - SECTION IV

Calendar Feature, Rotary Dial Indexed-Four Dial Construction . . . . .	IV-9
Clear Memory and Non-Auto Key Interlocks . . . . .	IV-2
Code Actuating Slides, Bellcranks and Links . . . . .	IV-1
Indicator Strips, Lights and Switches . . . . .	IV-7
Keyboard Construction . . . . .	IV-3
Keyboard Locking Slides, Auxiliary Slides, Limit Strips, Interlocks . . . . .	IV-6
Keyboard Read-Out Assembly . . . . .	IV-8
Keystems . . . . .	IV-5
Keytops . . . . .	IV-4

INDEXPRINTING - SECTION V

	<u>Plate No.</u>
Printing Control Linkage . . . . .	V-2
Printing Section-Component Parts . . . . .	V-1
Type Box Assembly . . . . .	V-4
Typewriter Type Chart . . . . .	V-5
Writer Box Assembly. . . . .	V-3

	<u>Plate No.</u>
Cover and Cover Latch Assembly. . . . .	VIII-12
Hopper and Transport Floor Assembly. . . . .	VIII-16
Kicker Roller Assembly. . . . .	VIII-18
Motor, Fan and Relay Brackets. . . . .	VIII-20
Stacker Bin Assembly. . . . .	VIII-13
Timing Belts . . . . .	VIII-19
Transport Shaft Assembly . . . . .	VIII-17
Upper Transport Assembly. . . . .	VIII-15

SIDE FRAMES - SECTION VI

Accumulation Controls. . . . .	VI-5
Alpha Read-In Solenoid Assembly . . . . .	VI-16
Alpha Timing Cam Unit Assembly. . . . .	VI-15
Auxiliary Left Side Frame . . . . .	VI-8
Auxiliary Right Side Frame . . . . .	VI-2
Drive Trip and Repeat Bellcranks . . . . .	VI-4
Guide Combs and Rack Bars. . . . .	VI-17
Interposer and E-Core Sync Pickup Assembly . . . . .	VI-19
Left Side Frame. . . . .	VI-10
Left Side Frame Hole Location Chart. . . . .	VI-7
Main Camshaft Drive . . . . .	VI-9
Motor Bar Links. . . . .	VI-3
Rack Bars and Guide Combs. . . . .	VI-17
Read-In Unit . . . . .	VI-12
Right Side Frame Hole Location Chart . . . . .	VI-1
Rotary Date Controls. . . . .	VI-11
Rotary Read-Out Assembly . . . . .	VI-20
Spacing and Hammer Block Controls. . . . .	VI-6
Timing Cam Disks and Circuit Cards. . . . .	VI-14
Timing Switch Assembly. . . . .	VI-13
Typewriter Keyboard Drive Trip Solenoid. . . . .	VI-18

POWER, BASE & CASE - SECTION VII

Case Panels, Covers. . . . .	VII-4
Complete Main Camshaft Assembly . . . . .	VII-3
Magnetic Clutch . . . . .	VII-2
Typewriter Camshaft . . . . .	VII-1

ADJUNCTS - SECTION VIIIA592

Card Receptacle Frame Assembly . . . . .	VIII-11
Cover and Cover Latch Assembly . . . . .	VIII-1
Control Panel. . . . .	VIII-4
Hopper Assembly . . . . .	VIII-3
Kicker Roller Assembly. . . . .	VIII-6
Motor and Mounting Hardware . . . . .	VIII-9
Power Supply. . . . .	VIII-10
Read Station Assembly. . . . .	VIII-5
Stacker Bin Assembly . . . . .	VIII-2
Transport Belts . . . . .	VIII-8
Transport Shaft Assemblies . . . . .	VIII-7

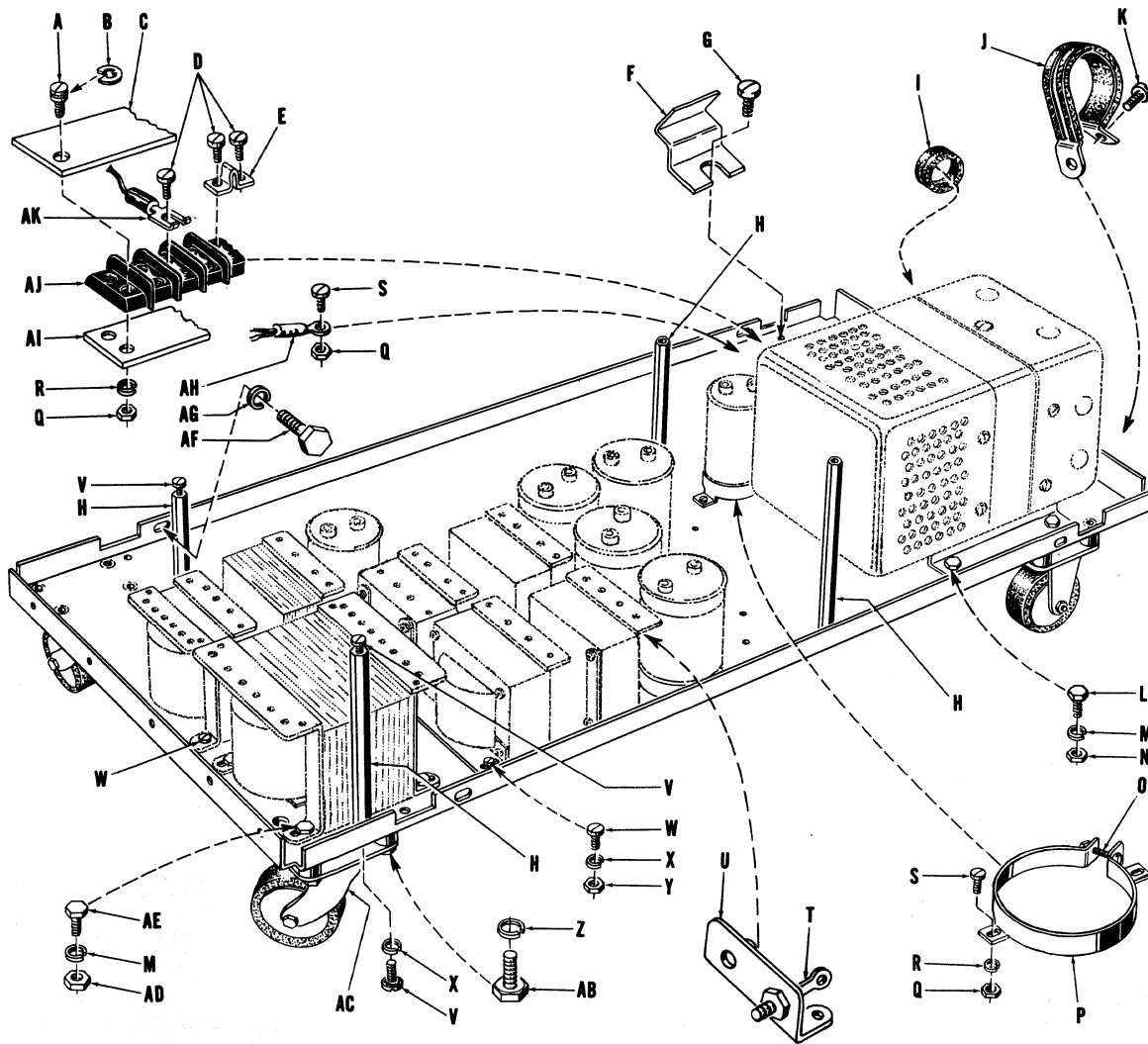
A594

Card Receptacle Frame Assembly . . . . .	VIII-21
Control Panel. . . . .	VIII-14



Processor and Electronics

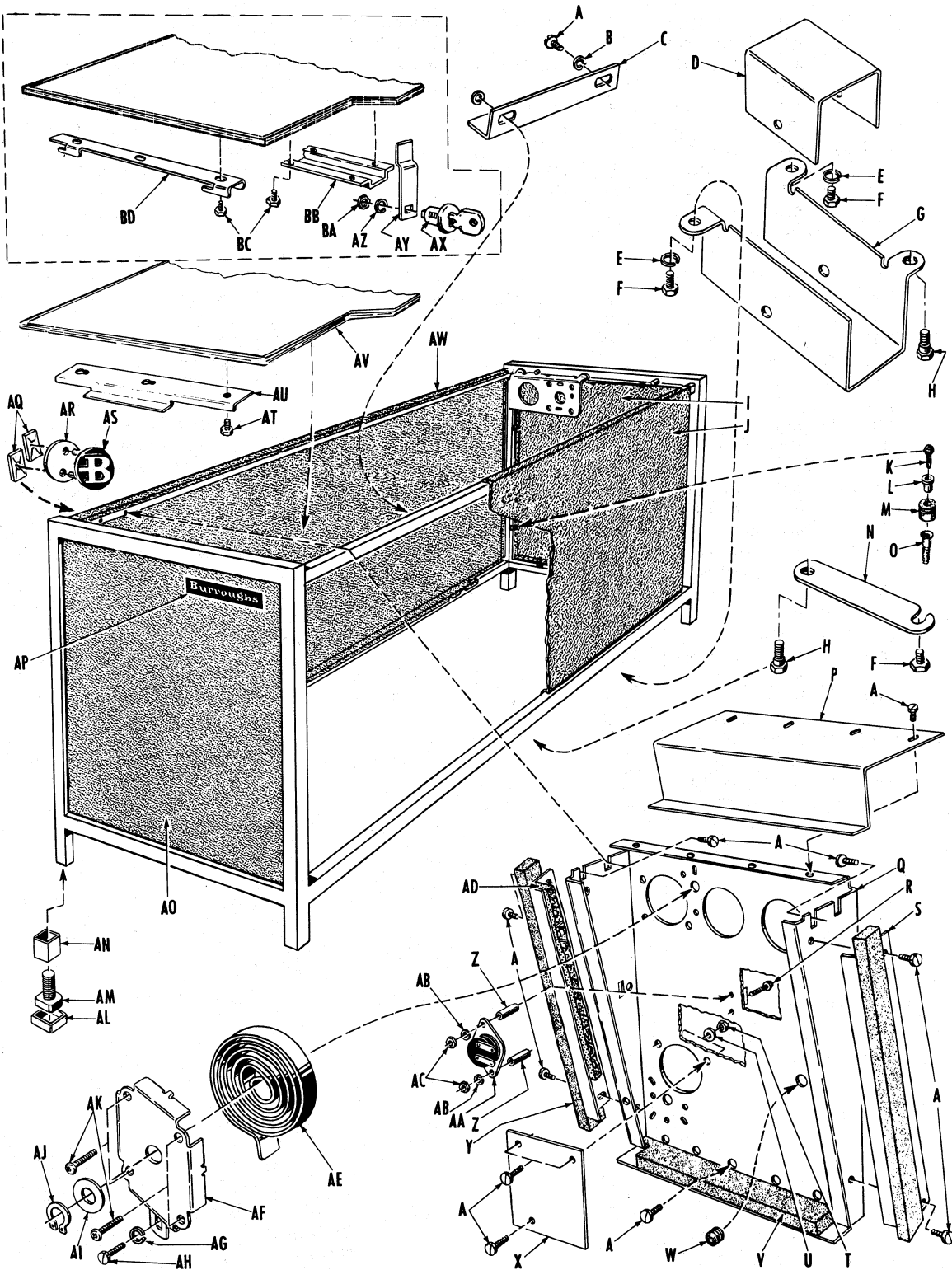
POWER SUPPLY, LOWER BASE PLATE E2100 AND E4000 (PLATE I-1)



PART NUMBERS (PLATE I-1)

A	1511 2485	shoulder screw	O	-- --	included in P	X	1256 7459	lockwasher
B	1255 3178	clip	P	1328 9012	clamp for C1101, C1110, C1111	Y	1256 5263	nut
C	1511 2352	cover strip		1318 3249	clamp for C1103, C1104, C1106, C1107, C1108	Z	1320 8988	spacer
D	-- --	included in AJ		1318 3231	clamp for C1102, C1105	AB	1256 6105	bolt
E	1340 8606	jumper strip	Q	1256 5248	nut	AC	1526 6976	caster assembly
F	1511 4440	spring clip	R	1256 7442	lockwasher	AD	1256 5404	nut
G	1256 1262	screw	S	1256 0868	screw	AE	1256 6089	bolt
H	1511 2378	stud	T	1511 2311	diode	AF	1511 4093	bolt, right side
I	1341 6094	grommet	U	1511 7252	bracket		1256 6279	bolt, left side
J	1511 4135	cable clamp	V	1256 1270	screw	AG	1256 7491	lockwasher
K	1256 1262	screw, use 1256 5271 nut, 1256 7467 lockwasher	W	1256 1106	screw, use 1256 5263 nut, 1256 7459 lockwasher	AH	1321 9159	connector
L	1256 6261	bolt				AI	1511 2329	insulating strip
M	1256 7491	lockwasher				AJ	1321 3616	terminal strip
N	1256 5420	nut				AK	1029 8776	spade lug

STAND AND CONNECTING ACCESSORIES - E2100 AND E4000 (PLATE I-2)



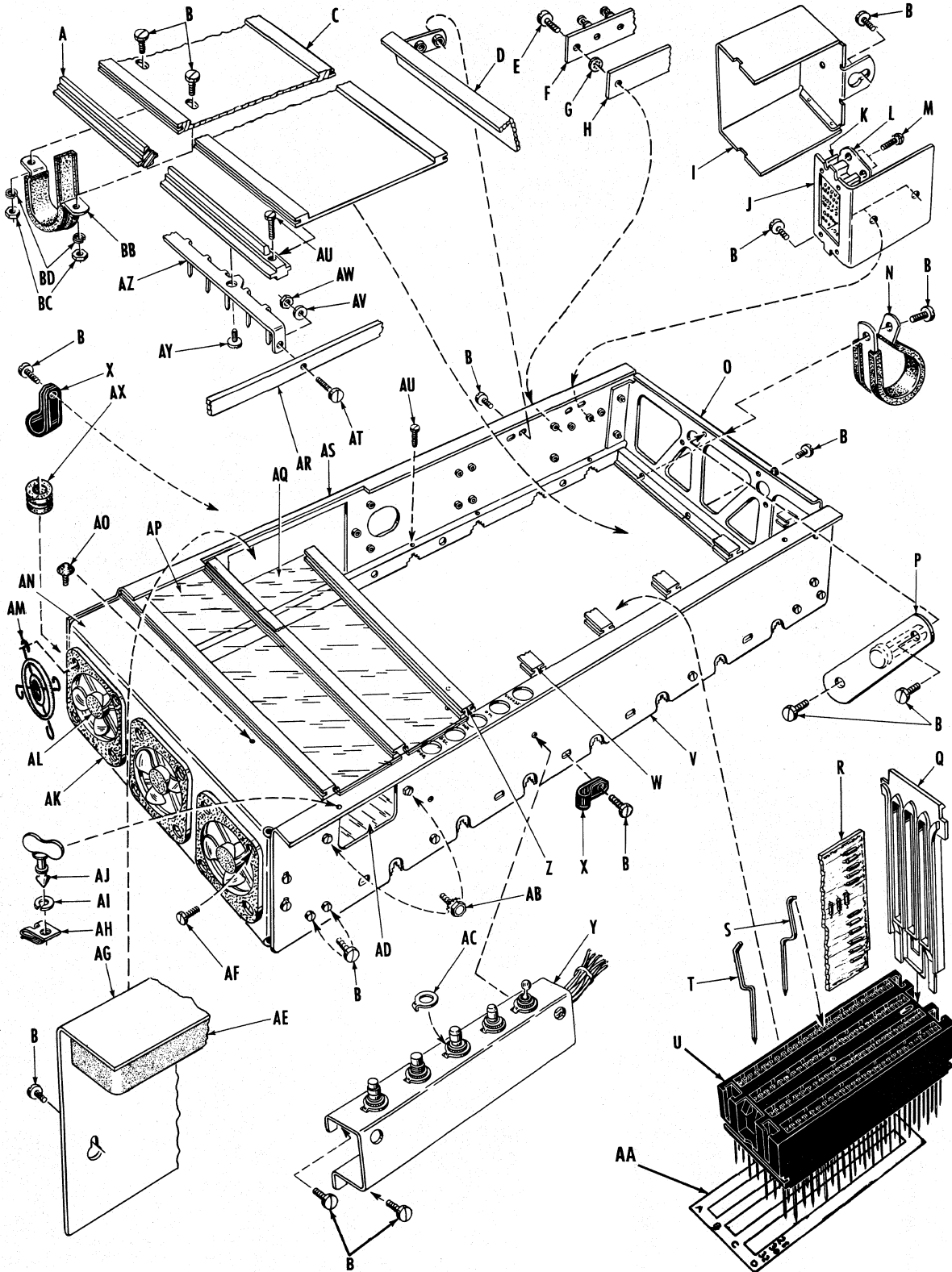
Processor and Electronics

## PART NUMBERS (PLATE I-2)

1522 7135	connecting acces- sories, stripe ledger, includes D thru H, N and 1522 5634 cable clamp and (4) 1257 0503 screws	Q	1511 4358	filter housing, series E2100, includes V	AL	1511 3285	shoe, included in AM
			1523 2754	filter housing, series E4000, includes V	AM	1511 3277	adjustable foot, in- cludes AL
		R	1256 0298	screw	AN	1511 3236	sleeve
1511 4523	connecting acces- sories, non-stripe ledger, includes D thru H, N and 1511 4135 cable clamp and (4) 1257 0503 screws	S	1511 4242	filter guide, in- cludes Y	AO	1511 4416	panel, series E2100
		T	1256 5271	nut	AP	1106 8202	"Burroughs" name- plate, use 1256 7731
		U	1256 8044	washer			lockwasher,
		V	1511 4366	air seal, series E2100, included in Q			1256 5263 nut
			1523 2762	air seal, series E4000, included in Q	AQ	1010 0261	speed nut
A	1256 1262	W	1026 1121	grommet	AR	1105 1321	backplate
B	1337 2206	X	1511 4374	cover plate	AS	1105 9722	medallion
C	1511 4457	Y	1511 4267	air seal, included in S	AT	1256 1759	screw
D	1511 4127	Z	1337 8526	spacer	AU	1523 3935	bracket, series E2100
E	1256 7491	AA	1511 4671	thermostat	AV	1523 3927	console top, series E2100
F	1256 6279	AB	1256 7418	lockwasher		1523 5682	console top, series E4000
G	1511 4119	AC	1256 5198	nut			
H	1511 4093	AD	1511 4499	filter, series E2100	AW	1511 4473	desk panel
I	1511 4416	AE	1523 2804	filter, series E4000	AX	1511 4424	lock assembly, in- cludes AZ, BA, and two 1522 9032 keys
	1522 5642	AF	1511 4226	spring			cam for lock cylinder
		AG	1511 4234	spring housing	AY	1511 4432	included in AX
	1523 2796	AH	1256 7467	lockwasher	BA	-- --	included in AX
J	1523 3844		1256 1254	screw on spring housing adjacent to filter only	BB	1511 6684	console top brace
K	1256 4167	AI	1511 4333	spacer on end oppo- site filter	BC	1024 6494	screw
L	1342 7265		1511 4341	spacer on filter end	BD	1511 4622	latch bracket, end opposite filter
M	1511 3293	AJ	1511 4192	retaining ring		1511 4630	latch bracket,
N	1511 4101	AK	1257 2707	screw, use 2 on filter end, 4 on end opposite filter			filter end
O	1523 9346						
P	1511 4382						
	1523 2747						

Processor and Electronics

GATE, UPPER - E2100 AND E4000 (PLATE I-3)



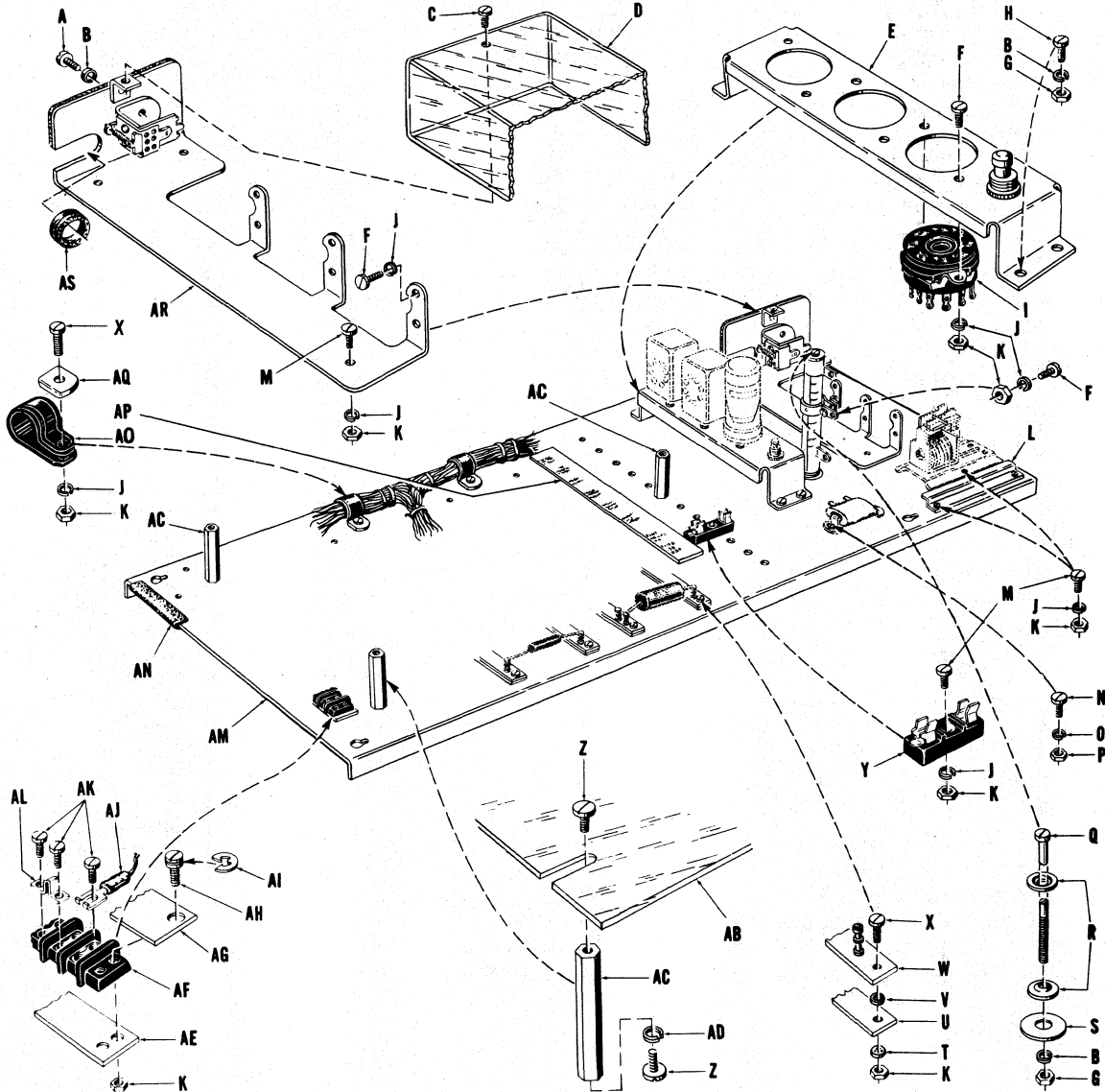
Processor and Electronics

## PART NUMBERS (PLATE I-3)

A	1337 3097	card receptacle guide	W	1511 4200	card guide support, all positions except at memory card	AN	1511 1784	fan housing, includes AK
	1337 3113	card receptacle guide, series E4000		1523 2671	card guide support, all positions except at memory card, series E4000		1523 2705	fan housing, series E4000, includes AK bumper
B	1256 1262	screw				AO	1322 2914	
C	1511 4705	filler plate				AP	1511 4283	vinyl cover, for rows A thru E, H
D	1511 4275	bracket					1523 2721	vinyl cover, for rows A thru E, H, series E4000
E	1256 0884	screw	X	1323 9272	cable clamp		1522 5584	vinyl cover for lower gate, series E2100, E4000, use 1522 5626 clips
F	1323 5726	terminal board	Y	1511 1818	switch bracket, see SWITCHES for switch part numbers			
G	1256 8010	washer						
H	1323 5734	insulating strip	Z	1511 4218	card guide support at memory card position			
I	1511 4184	dust cover		1523 2689	card guide support at memory card position, series E4000	AQ	1511 4291	vinyl cover, for rows F, G
J	1511 1719	mounting bracket	AA	1511 7179	cardboard template		1523 2739	vinyl cover, for rows F, G, series E4000
K	1337 2446	spring clip	AB	1324 1229	self tapping screw			
L	1340 6905	relay socket	AC	1511 1966	keying washer			
M	1256 0868	screw	AD	1511 1727	window	AR	1337 3444	ground buss
N	1511 4135	cable clamp, 1" I.D.	AE	1511 4408	air seal, included in AG	AS	1511 1735	gate panel
	1522 5634	cable clamp, 1.44" I.D.				AT	1511 2014	screw
O	1511 1800	end panel of gate	AF	1256 2229	screw, use 1256 7442 lockwasher, 1256 5248 nut	AU	1256 0850	screw, use 1256 0843 screw, 1256 8028 washer for row A, series E2010
	1523 2697	end panel of gate, series E4000	AG	1511 4390	access plate, includes AE	AV	1030 6199	lockwasher
P	1511 4309	spring arbor		1523 5708	access plate, series E4000, includes air seal	AW	1256 5768	nut
Q	1337 2693	card guide all locations except rows F and G blocks 7, 8, 9, 10	AH	1511 4176	clip-on receptacle	AX	1324 0072	grommet
	1511 3434	card guide row F, blocks 7, 8, 9, 10	AI	1511 1768	clip washer, included in V	AY	1340 5964	nylon screw
	1511 3459	card guide row G, blocks 7, 8, 9, 10	AJ	1511 1776	quarter turn latch, included in V	AZ	1337 3543	ground strip
R	-- --	see Printed Circuit Cards	AK	1511 1792	air seal, included in AN		1337 3568	ground strip, series E4000
S	1337 2677	even numbered pins	AL	1310 2645	muffin fan	BB	1511 4481	cable clamp
T	1337 2685	odd numbered pins	AM	1522 7267	fan guard	BC	1256 5271	nut
U	1504 0090	card receptacle				BD	1256 7467	lockwasher
V	1511 1750	gate panel, includes AI, AJ						
	1526 6679	gate panel, includes AI, AJ, series E4000						

Processor and Electronics

POWER SUPPLY, UPPER BASE PLATE - E2100 AND E4000 (PLATE I-4)

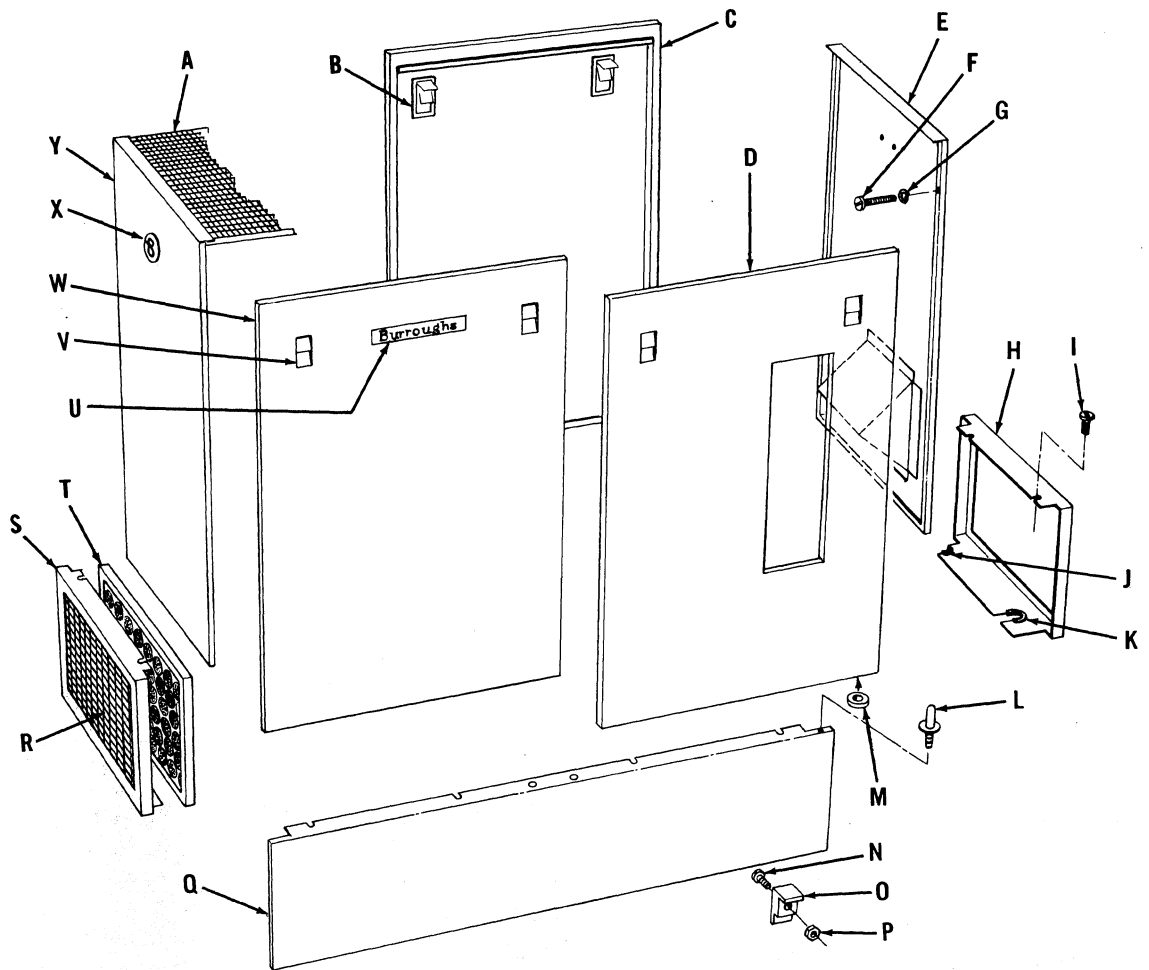


PART NUMBERS (PLATE I-4)

A	1256 1106	screw	P	1256 5206	nut	AF	1321 3616	terminal strip
B	1256 7459	lockwasher	Q	1340 3969	screw	AG	1511 2352	cover strip
C	1256 0694	screw, use 1256 7715	R	1323 8886	washer	AH	1511 2485	screw
			S	1337 4582	mica washer	AI	1255 3178	clip
D	1328 8709	relay cover	T	1256 7723	lockwasher	AJ	1029 8776	spade lug
E	1511 2345	bracket	U	1316 6350	insulating strip	AK	-- --	included in AF
F	1256 0843	screw	V	1256 8010	spacer	AL	1340 6806	jumper strip
G	1256 5263	nut	W	1511 3707	terminal board	AM	1526 8584	base plate, includes AP
H	1256 1080	screw	X	1256 0884	screw	AN	1323 8506	rubber edging
I	1343 2786	socket	Y	1323 8175	fuse holder	AO	1323 9280	cable clamp, 1/2"
J	1256 7442	lockwasher	Z	1256 1270	screw		1323 9298	cable clamp, 9/16"
K	1256 5248	nut	AB	1511 2428	component cover	AP	-- --	included in AM
L	1511 2469	bracket	AC	1511 2477	cover support	AQ	1337 2180	"D" washer
M	1256 0868	screw	AD	1256 7467	lockwasher	AR	1511 2410	bracket
N	1256 0330	screw	AE	1511 2329	insulating strip	AS	1316 8638	grommet
O	1256 7426	lockwasher						

## Processor and Electronics

## PANELS - E6000 (PLATE I-5)

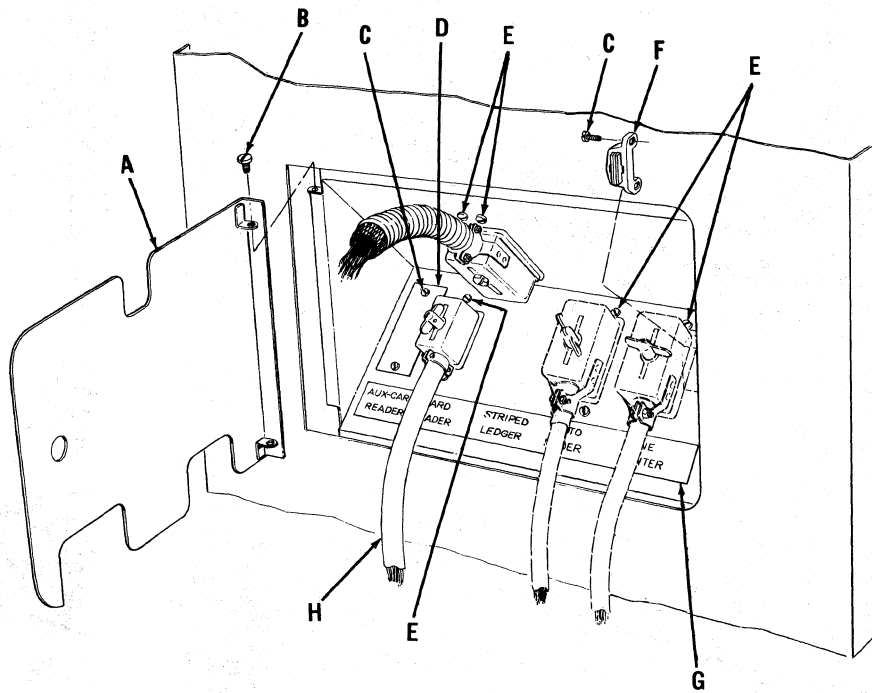


## PART NUMBERS (PLATE I-5)

A	1527 2131	top grill	L	1527 2180	shoulder screw, use 1255 6747 lock- washer, 1256 5289	S	1527 2537	panel, left end, lower
B	1527 2891	spacer	M	1341 6052	grommet	T	1527 2198	air filter
C	1527 2685	panel, left rear	N	1256 0892	screw, use 1256 7442 lock- washer	U	1106 8202	nameplate, use 1256 7459 lock- washer, 1256 5263 nut
D	1527 2693	panel, right front	O	1143 9627	fastener	V	1527 2883	panel latch
E	1527 2511	panel, right end, upper	P	1256 5248	nut	W	1527 2701	panel, left front and right rear
F	1256 1361	screw	Q	1527 2495	panel, front and rear, lower	X	1140 7889	medallion, use 1256 5925 speed nut
G	1256 7467	lockwasher	R	1527 2149	end grill, right and left	Y	1527 2503	panel, left end, upper
H	1527 2529	panel, right end, lower						
I	1256 1262	screw						
J	1341 6029	rubber moulding						
K	1341 6482	rubber moulding						

Processor and Electronic

## CABLE CONNECTOR PANEL - E6000 (PLATE I-6)



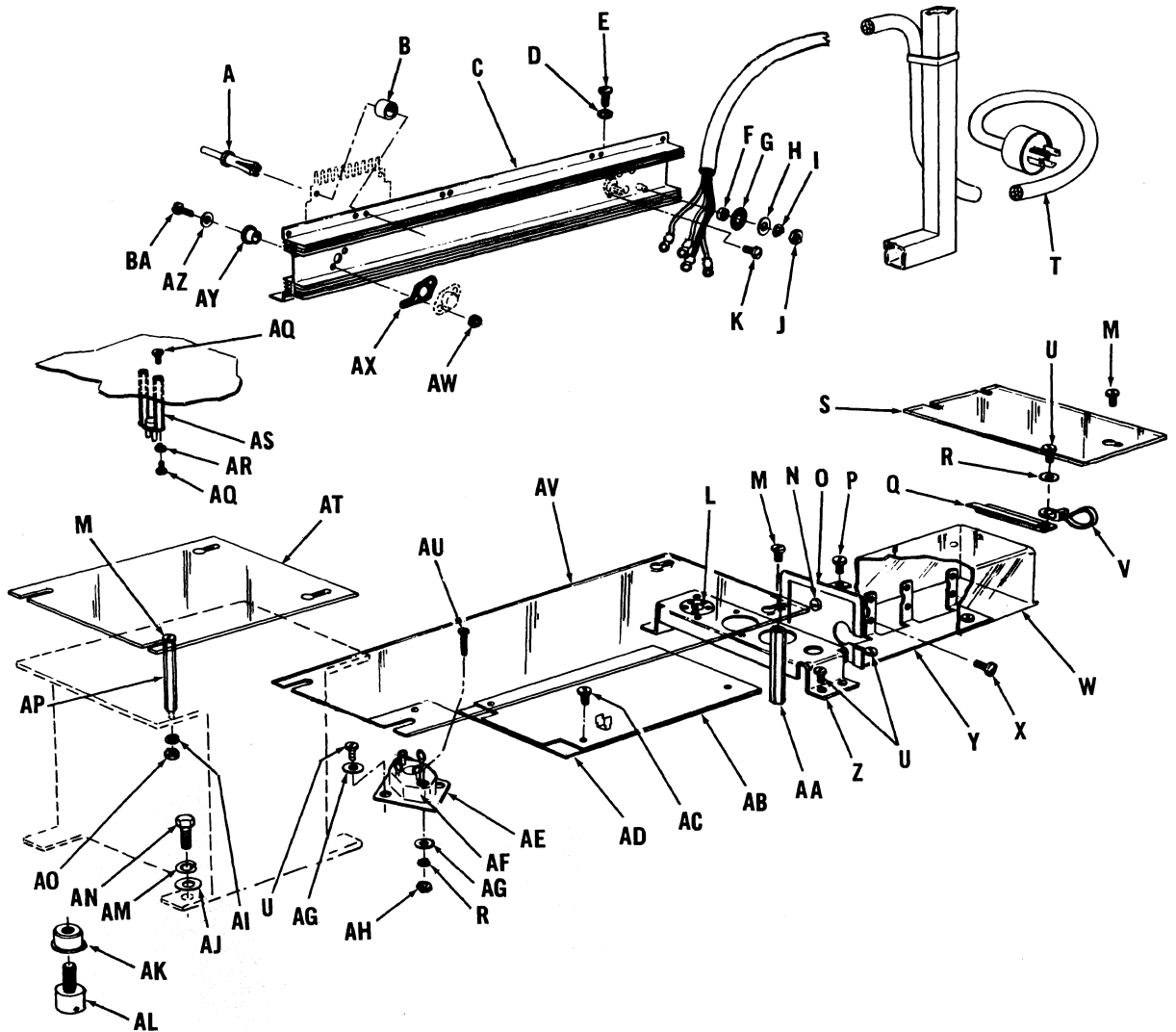
## PART NUMBERS (PLATE I-6)

A	1527 2347	access door
B	1471 9454	shoulder screw, use 1312 1983 washer 1256 7459 lockwasher, 1256 5271 nut
C	1256 0868	screw, use 1256 7442 lockwasher, 1256 5248 nut
D	1527 2792	cover plate, aux-card reader, card reader position
	1527 2800	cover plate, auto reader, line printer position
E	1256 1106	screw, use 1256 7459 lockwasher, 1256 5263 nut
F	1314 1056	magnetic catch
G	1527 2917	connector location decal
H	1527 5514	inter-connect cable, A594 card reader
	1526 3627	inter-connect cable, A592 card reader



Processor and Electronics

POWER SUPPLY - E6000 (PLATE I-7)



PART NUMBERS (PLATE I-7)

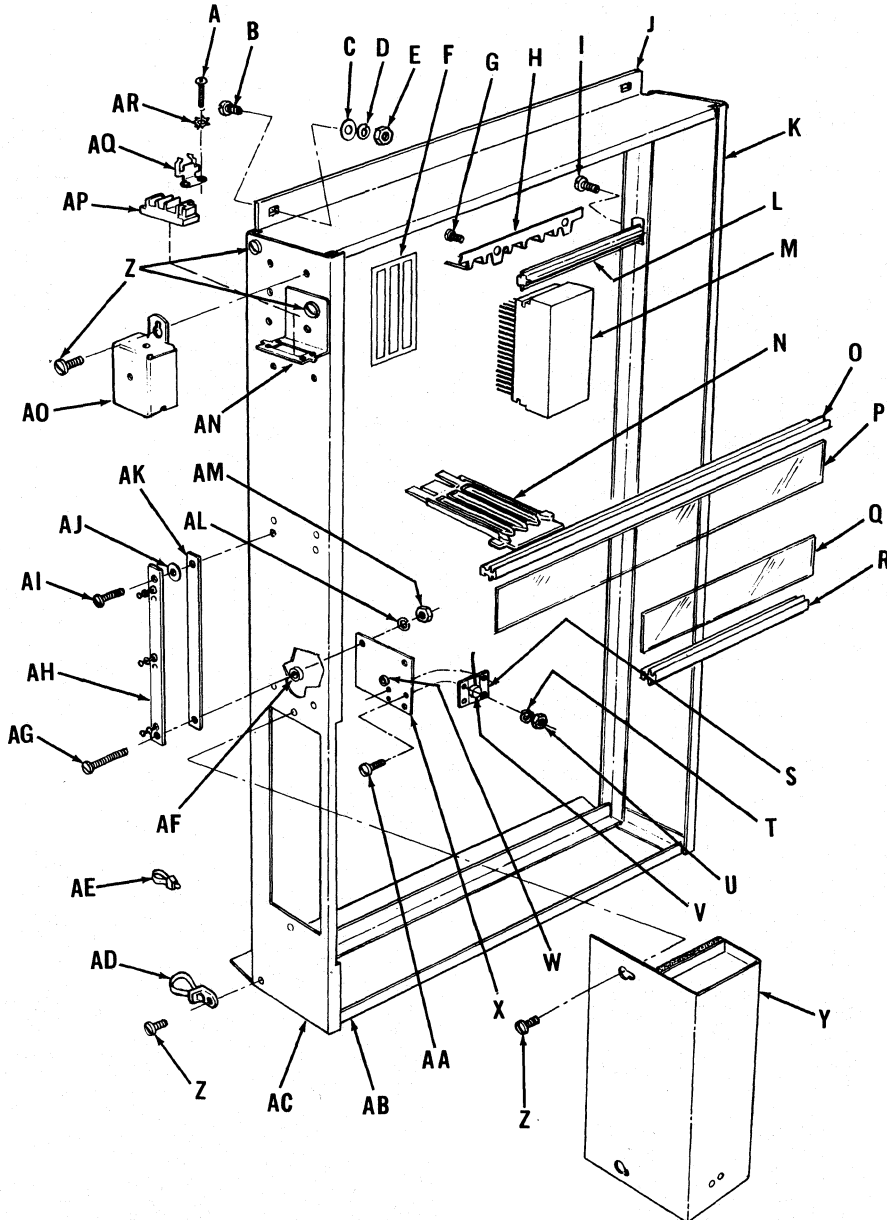
A	1527 2958	plastic removable rivet	S	1527 2669	plastic cover
B	1109 5106	non-metallic spacer	T	1527 0168	line cord (13 1/2' long), includes 1143 1632 connector
C	1527 0135	heat sink	U	1256 0868	screw, use 1256 7442 lockwasher
D	1256 7749	lockwasher	V	1523 9213	clamp
E	1256 1262	screw	W	1328 8709	plastic cover, includes O
F	1527 2867	insulating washer	X	1256 0843	screw, use 1256 7442 lockwasher
G	1527 2859	mica washer	Y	1511 2410	relay bracket
H	1015 4896	washer	Z	1511 2345	bracket
I	1256 7483	lockwasher		1527 3782	bracket assembly, includes L
J	1311 5696	nut	AA	1064 2627	standoff
K	1256 0850	screw, use 1256 7723 lockwasher, 1256 5248 nut	AB	1527 0960	complete assembled component board (TB1104)
L	1343 2786	socket, use 1024 8540 eyelet	AC	1523 6219	nylon screw, use 1320 9168 insulating washer
M	1257 3473	screw	AD	1527 2644	insulator strip
N	1256 1106	screw, use 1256 7459 lockwasher	AE	1527 2578	mounting plate
O	-- --	included in W			
P	1256 0694	screw, use 1256 7715 lockwasher			
Q	1511 2469	bracket			
R	1256 7442	lockwasher			

PART NUMBERS CONTINUED ON NEXT PAGE

PART NUMBERS (PLATE I-7) CONTINUED

AF	1064 1108	bridge rectifier	AP	1106 0126	standoff
AG	1256 8028	washer	AQ	1256 0710	screw
AH	1256 5248	nut	AR	1256 7434	lockwasher
AI	1256 7459	lockwasher	AS	1523 0395	standoff
AJ	1256 8119	washer	AT	1527 2651	plastic cover
AK	1527 2461	tapped bushing, left rear	AU	1257 0909	screw
AL	1527 2453	foot, adjustable, left rear	AV	1527 2677	plastic cover
	1527 2172	foot, non-adjustable, right rear, right and left front	AW	1256 5206	nut
AM	1256 7491	lockwasher	AX	1313 5785	insulator
AN	1256 6279	screw	AY	1313 5793	spacer
AO	1256 5263	nut	AZ	1256 7426	lockwasher
			BA	1256 0371	screw

MAIN GATE ASSEMBLY - E6000 (PLATE I-8)



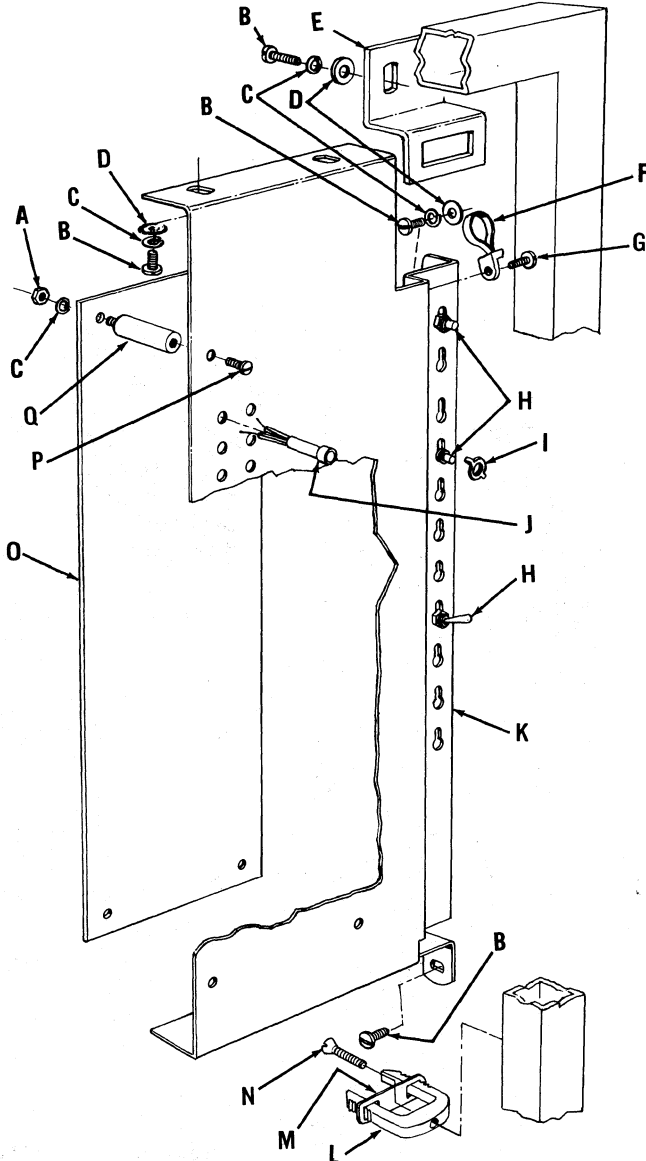
Processor and Electronics

PART NUMBERS (PLATE I-8)

A	1323 9199	screw, includes AR	1511 3434	card guide for row
B	1256 1296	screw		P, column 8, 9
C	1256 8044	washer	1511 3459	card guide for row
D	1256 7467	lockwasher		R, column 8, 9
E	1256 5271	nut	O	1523 2671
F	1511 7179	template	P	1523 2721
G	1340 5964	nylon screw	Q	1527 2248
H	1337 3568	ground strip	R	1527 2255
I	1256 0926	screw	S	1523 6227
J	1527 2073	upper panel		thermistor disk
K	1527 2412	left panel	T	1256 7426
L	1337 3113	card receptacle rail	U	1256 5206
M	1504 0090	card receptacle	V	-- --
N	1337 2693	card guide, all posi-	W	1322 2948
		tions except row P,	X	1523 6185
		R, column 8, 9	Y	1527 2388
				assembly, includes V
				lockwasher
				nut
				included in S
				grommet
				mounting plate
				access panel

Z	1256 1262	screw
AA	1256 0330	screw
AB	1527 2081	lower end panel
AC	1527 2156	right side panel
AD	1523 9213	cable clamp
AE	1523 9205	harness strap
AF	1320 9168	washer
AG	1523 6219	nylon screw
AH	1323 5726	terminal board
AI	1256 0884	screw
AJ	1256 8010	washer
AK	1323 5734	insulating strip
AL	1256 7442	lockwasher
AM	1256 5248	nut
AN	1511 1719	mounting bracket
AO	1511 4184	cover
AP	1340 6905	relay receptacle
AQ	1337 2446	spring clip
AR	-- --	included on A

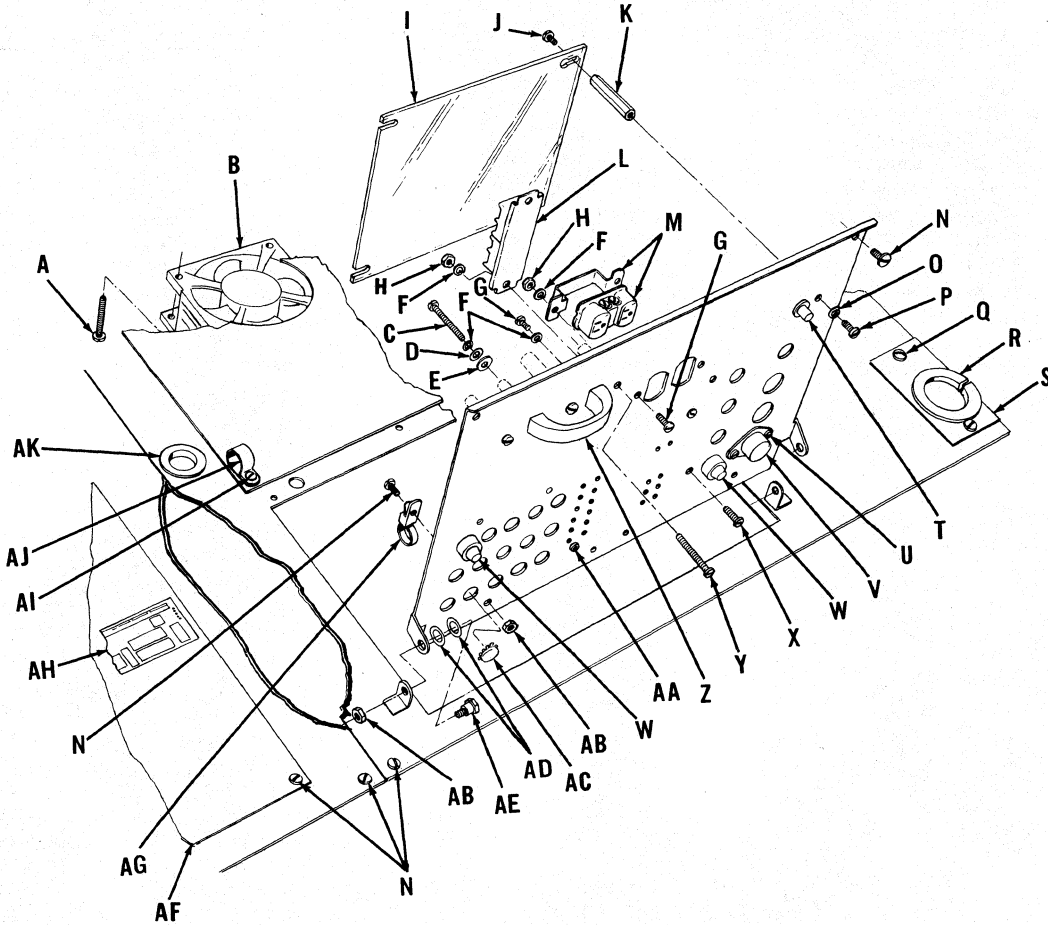
INDICATOR PANEL ASSEMBLY - E6000 (PLATE I-9)



PART NUMBERS (PLATE I-9)

A	1256 5263	nut
B	1257 2939	screw
C	1256 7459	lockwasher
D	1256 8036	washer
E	1527 2909	panel latch bracket
F	1523 9213	cable clamp
G	1256 1106	screw, use 1256 8028
		washer, 1256 5263 nut
H	-- --	see SWITCHES
I	1511 1966	locking ring
J	1527 2750	lamp
K	1527 2719	indicator panel
L	1002 1046	cable clamp
M	1002 1053	clamp keeper
N	1255 4937	screw
O	1527 2727	printed circuit card
P	1256 1197	screw
Q	1527 2743	standoff

FUSE PANEL AND MUFFIN FAN ASSEMBLY - E6000 (PLATE I-10)



PART NUMBERS (PLATE I-10)

A	1256 0975	screw	V	1312 1454	fuse holder
B	1310 2645	muffin fan	W	1343 1259	fuse holder
C	1256 1767	screw	X	1256 1106	screw
D	1256 8036	washer	Y	1256 1221	screw, use 1337 4582 mica washer, _256 8028 plain washer, 1256 7459 lock- washer, 1256 5263 nut, 1323 8886 center- ing washer
E	1320 9424	mica washer	Z	1342 6192	handle
F	1256 7459	lockwasher	AA	1341 2465	jack, red, use 1010 0220 clip
G	1256 1098	screw		1341 2721	jack, black
H	1256 5263	nut		1341 2713	jack, yellow
I	1527 2552	plastic cover		1341 2481	jack, white
J	1311 7411	screw	AB	1256 5271	nut
K	1318 5327	standoff	AC	1021 4062	plug
L	1527 2560	terminal	AD	1312 1983	washer
M	1317 1194	service outlet	AE	1471 9454	screw, use 1256 7459 lockwasher
N	1256 1262	screw	AF	1527 2388	access panel
O	1256 7467	lockwasher	AG	1523 9213	clamp
P	1256 1460	screw	AH	1527 2925	component location decal
Q	1256 0843	screw	AI	1256 1296	screw
R	1341 6243	grommet	AJ	1323 9272	clamp
S	1527 2420	plate	AK	1002 6797	grommet
T	-- --	see SWITCHES			
U	1256 1122	screw, use 1256 7459 lockwasher, 1256 5263 nut			

PRINTED CIRCUIT CARDS (PLATE I-11)

<u>ELEC. REF.</u>	<u>DESCRIPTION</u>	<u>PART NO.</u>	<u>ELEC. REF.</u>	<u>DESCRIPTION</u>	<u>PART NO.</u>
BOLA	beam of light amp.	1511 5124	MDS	memory driver special	1526 9137
CLK	clock	1511 6718		Requires Media Package	
COMP	components (diodes)	1510 3427		1035987 when replacing	
CW	contact wetter	1523 2341		card 1510 2783	
CWE	contact wetter encoder	1523 2374	MEM-MR	100 word - includes one memory	
DC	decoupling	1510 3401		and four matched MR cards	1511 6270
DMV-A	delay multivibrator "A"	1526 7933	MEM-MR	200 word - includes one memory	
	Requires Media Package			and four matched MR cards	1526 6711
	1033479 when replacing		MTA	memory timing "A"	1510 3260
	card 1511 5660		MTB	memory timing "B"	1510 3310
DMV-B	delay multivibrator "B"	1526 7966	ND	neon driver	1526 9194
	Requires Media Package		PC	print control	1511 9332
	1037199 when replacing		PDC	paper drive clutch (after	
	card 1511 5637			serial E8611P)	1526 6133
DMV-C	delay multivibrator "C"	1526 7990	PDC	paper drive clutch (before	
	Requires Media Package			serial E8612P)	1511 5603
	1037181 when replacing		PS	pulse standardizer	1526 7909
	card 1511 5728			Requires Media Package	
DSC	disconnect	1510 3500		1033180 when replacing	
FF	flip flop	1510 2668		card 1511 5272	
FFS	flip flop special	1511 8375	RA	read amp	1511 5090
FPS	front paper switch	1511 5694	RS	reset standardizer	1510 3062
HB	heavy buffer	1510 3443	RSD	rack stop driver	1510 2817
HI	heavy inverter	1526 9160	RW	relay wetter	1510 3096
IND	indicator	1510 3468	SCD	slave clock driver	1526 7222
ID	inhibit driver	1511 5215	SSCA	solar cell cam amp.	1511 5579
KBW	keyboard wetter	1526 3759	SD	solenoid driver	1510 3138
LCA	logic card "A"	1510 3187	SCW	special contact wetter	1523 2317
LCB	logic card "B"	1510 3203	SSC	single shot clock	1511 7195
LCC	logic card "C"	1510 3229	SSCP	single shot clock (P)	1526 6042
LCD	logic card "D"	1510 3245	SW	special wetter	1510 3484
LCE	logic card "E"	1510 3526	TB1150	-15m regulator	1523 6201
LCF	logic card "F"	1511 5157	TRANS	read transformer	1511 5066
LCG	logic card "G"	1511 5751	WA	write amp-monitor	1511 5181
MCO	master clock oscillator	1526 6075	WE	wetter encoder	1510 3161
MD	memory driver	1510 2783			

RELAYS (PLATE I-12)

<u>ELEC. REF.</u>	<u>DESCRIPTION</u>	<u>PART NO.</u>	<u>ELEC. REF.</u>	<u>DESCRIPTION</u>	<u>PART NO.</u>
K1	motor start	1324 0510	K914	printer trip	} ..... 1339 2147
K401	pin feed mode	1339 2147	K920	shift	
K402	reed - latch type } ..... 1526 4138	}	K921	TOM	1339 2329
K403			K1101	neg V sense	} ..... 1323 9124
K404			K1102	pos V sense	
K405			K1103	mercury start	1323 9173
K901			lock	1511 0182	K1104
K902	tab	} ..... 1511 0190	K1105	delay	1339 2352
K902A	auxiliary tab		K1106	power on reset	} ..... 1339 2329
K903	start	1339 2329	K1107	clock start	
K904	manual	1339 2337	K1108	latch release	1324 0494
K905	mode	1339 2329	K1109	cge motor	1339 2329
K906	AEC skip	1339 1958	K1110	power on	1339 2097
K906	RKA (E6000)	1511 0182	K1201	memory clear 1	} ..... 1339 1958
K907	AEC delay	1339 2147	K1202	memory clear 2	
K911	punch lock	} ..... 1339 2337	K4201	control	1339 2253
K912	cge. open		K4202	motor	1339 1974
			K4203	power on reset	1339 2261

Processor and Electronics

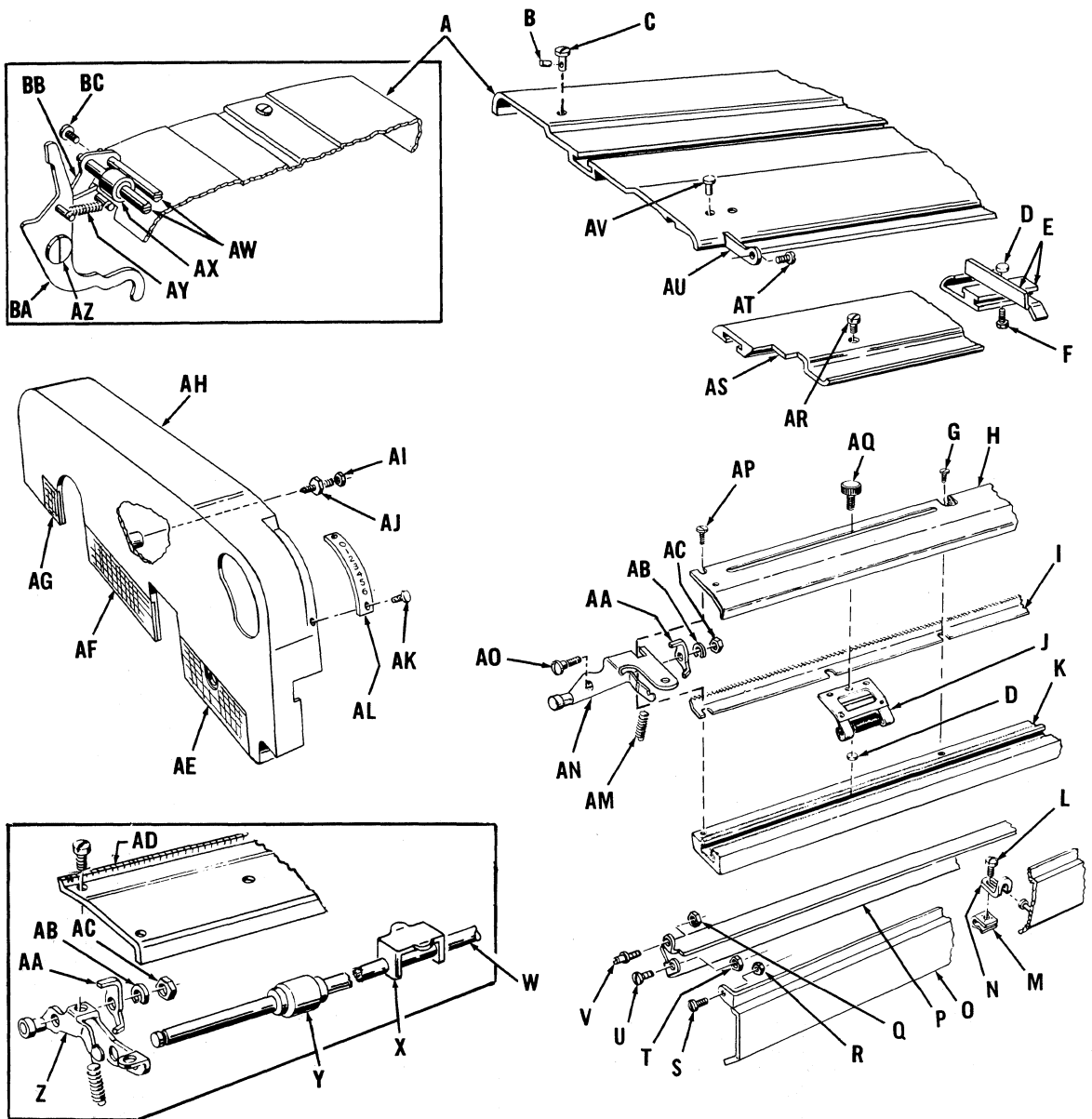
SWITCHES (PLATE I-13)

<u>ELEC. REF.</u>	<u>PART NO.</u>	<u>ELEC. REF.</u>	<u>PART NO.</u>	<u>ELEC. REF.</u>	<u>PART NO.</u>
S1 } S2 } S3 } S4 } S5 } S6 } S7 } S8 } S9 } S10 } S11 } S15 } S601 } S604 } S607 (E6000) } S607 } S618 } S622 } S627 } S629 } S630 } S632 } S635 } S641 } S642 } S645 } S646 } S647 }	1336 6836  1341 1848 1341 1950 1341 1848 1343 1143 1341 1426 1341 1848 1341 1590 1034 5254 1341 1848 1510 8673 1341 1848  1510 8673  1341 1848  1510 8673	S661 } thru } S670 } S680 } S698 } S698A } S698B } S728A } S728B } S728C } S731 } thru } S750 } S751 } thru } S766 } S770 } S771 } S774 } S851 } thru } S857 } S1101 } S1101 (E6000) } S1121 } S1151 } S1201 } S1201 (E6000) }	1511 2584  1341 1848  1341 8314  1341 1897  SEE ELECTRICAL SENSING UNIT  SEE NON-SENSING LANE SWITCH ASSEMBLY  1343 1143 1341 1590 1341 1848  1511 9712  1323 9991 1527 0986 1527 0986 1323 9991 1001 6350 1511 3988	S1202 } S1203 } S1204 } S1205 } S1206 } S1207 } S1208 } S3101 } S3102 } S3103 } S3106 } S4101 } S4102 } S4103 } S4104 } S4105 } S4106 } S4107 } S4108 } S4109 } S4110 }	1323 9991  1321 8722 1323 8605 1511 4671 1321 8763 1009 1767  1323 9991  1511 4671 1312 1504  1312 1496  1312 2866 1312 2874 1312 1538 1321 8755

TRANSFORMERS AND CHOKES (PLATE I-14)

<u>ELEC. REF.</u>	<u>DESCRIPTION</u>	<u>PART NO.</u>
T1101	CVT 115/230V, 60 cycle CVT 150V, 60 cycle CVT 115/230V, 50 cycle	1320 0191 1511 4143 1500 5093
T1101 - E2100 (SL) and all E4000 } T1101 - E2100 (SL) and all E4000 }	CVT 115/230V, 60 cycle, type CVN CVT 115/230V, 50 cycle, type CVN	1526 8626 1526 8634
T1101 - E6000 T1101 - E6000 T1102 T1103	CVT 115/230, 60 cycle CVT 115/230, 50 cycle -4 volt power transformer main power transformer	1526 3783 1527 7379 1511 2279 1511 2261
T1103 - E2100 (SL) and all E4000 } T1104 } T1104 }	main power transformer primary voltage 150V, 220V, 240V secondary voltage 115V primary voltage 150V, 230V, 250V secondary voltage 115V primary voltage 100V secondary voltage 115V	1511 5504 1336 8212 1336 8246 1523 6920
TRANS	on read transformer circuit card	1316 2912
L1101 } L1102 } L1103 } L1105 } L1104 }	-15V DC (M) choke -15V DC +15V DC -4V DC choke -100V DC	1511 2295 1511 2303

CARRIAGE CONSTRUCTION (PLATE II-1)  
 - STRIPE LEDGER -



PART NUMBERS (PLATE II-1)

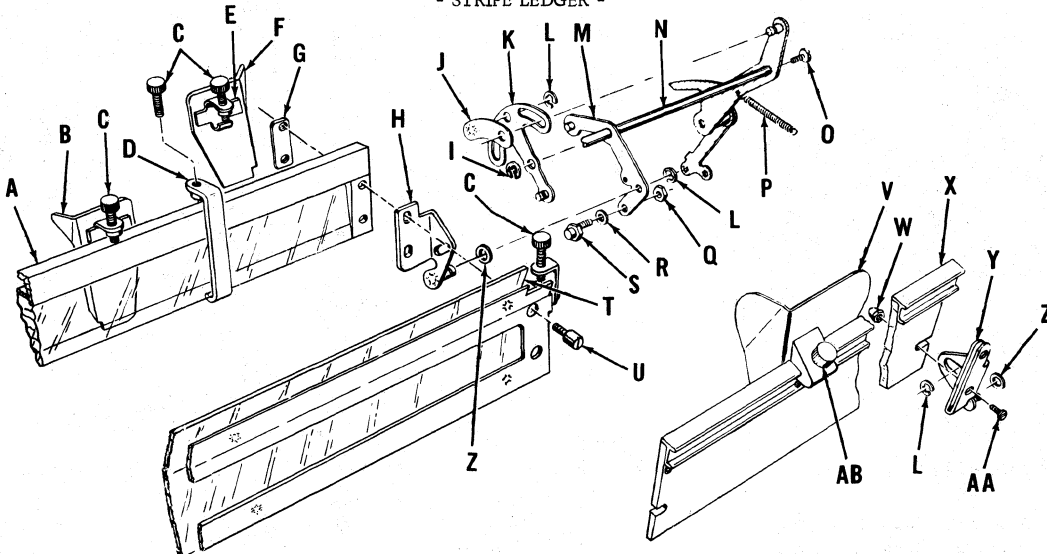
A	1522 1310	carriage cover, includes B, C, AU, AV	H	1523 4511	cover	K	1523 4479	blade support
B	1341 9163	pin, included in A		1523 4776	upper journal pressure roll and tear off blade assembly, includes D, G thru K, AN, AP, AQ	L	1256 0843	screw
C	1341 9155	locking pin, included in A				M	1300 1508	speed nut
D	1302 9673	metal pellet	I	1523 4487	tear off blade	N	1334 1979	brace
E	1522 3399	paper guide, right	J	1523 4495	pressure roll	O	1522 1302	pressure roll shield
F	1522 3381	paper guide, left		1526 4724	pressure roll, pin feed		1526 4740	pressure roll shield, pin feed
						P	1522 1633	paper deflector
							1526 5051	paper deflector, pin feed
G	1256 0348	screw						

PART NUMBERS CONTINUED ON NEXT PAGE

PART NUMBERS (PLATE II-1) CONTINUED

Q	1010 0378	nut	1509 4337	right end cover, in-	AO	1340 3092	screw
R	1010 0386	nut		cludes AJ, AK, AL,		1526 5036	screw, hex head,
S	1010 4610	screw		and 1341 5294 alumi-			pin feed
T	1057 3665	nut		num decor	AP	1256 0348	screw
U	1010 9163	screw	1526 5234	right end cover, pin	AQ	1523 4529	thumbscrew
V	1303 1729	spring screw stud		feed, includes AJ,	AR	1255 4226	screw
W	1302 5663	pressure roll shaft		AK, AL, and alumi-	AS	1522 3431	journal paper table
X	1302 9624	yoked brace		num decors		1522 4256	journal paper table
Y	1326 8081	journal pressure roll	1526 5663	left end cover, pin			assembly, includes
Z	1302 7651	bracket, left		feed, non-stripe		1526 5275	journal paper table,
	1302 7636	bracket, right		ledger, includes			pin feed
AA	1328 1191	limit, left		aluminum decors	AT	1257 3309	screw, use 1344 5614
	1328 1183	limit, right	1526 5648	right end cover, pin			lockwasher
	1526 5069	limit, left and right,		feed, non-stripe	AU	1522 1344	hinge, left side
		pin feed. Use	AI	ledger, includes AL		1522 1336	hinge, right side
		1526 5044 hex head	AJ	nut	AV	1303 1414	rivet
		screw on bottom	AK	threaded stud	AW	1526 4757	shaft, pin feed
AB	1256 7715	lockwasher	AL	1522 5766	AX	1526 4765	roller assembly, pin
AC	1010 0378	nut		1303 1414			feed
AD	1327 0723	tear off blade		1303 0473	AY	1027 6426	spring
AE	1523 4685	aluminum decor			AZ	1526 4799	screw, pin feed
AF	1522 5808	aluminum decor	1327 4535	indicator plate, 1/6"	BA	1526 4815	lever, left, pin feed
AG	1522 5790	aluminum decor		spacing, pin feed,		1526 4807	lever, right, pin feed
AH	1522 5774	left end cover, in-		non-stripe ledger	BB	1526 4781	bracket, pin feed
		cludes AE, AF, AG,	AM	spring	BC	1256 0702	screw, pin feed, use
		AJ, AK, AL	AN	1341 0410			1256 5230 nut
	1526 5259	left end cover, pin		1523 4461			
		feed, includes AJ,		1526 4997			
		AK, AL, and alumi-					
		num decors		1523 4453			
				1526 4989			

FORM ALIGNING TABLES (PLATE II-2)  
 - STRIPE LEDGER -



PART NUMBERS (PLATE II-2)

1522 8638	complete form platform and re-	B	1522 4983	form guide, left	1522 5055	platform hanger, left
	movable check table assembly,	C	1522 5097	thumb screw	I	1255 3178
	includes A thru H, T, U	D	1522 4942	check limit stop	J	1328 1928
		E	-- --	included in F		1328 1910
		F	1522 4967	form guide, right		1303 9854
		G	1522 4991	tie plate		
A	1522 5063	H	1522 5048	platform hanger, right		1328 1928
						and 1328 1910

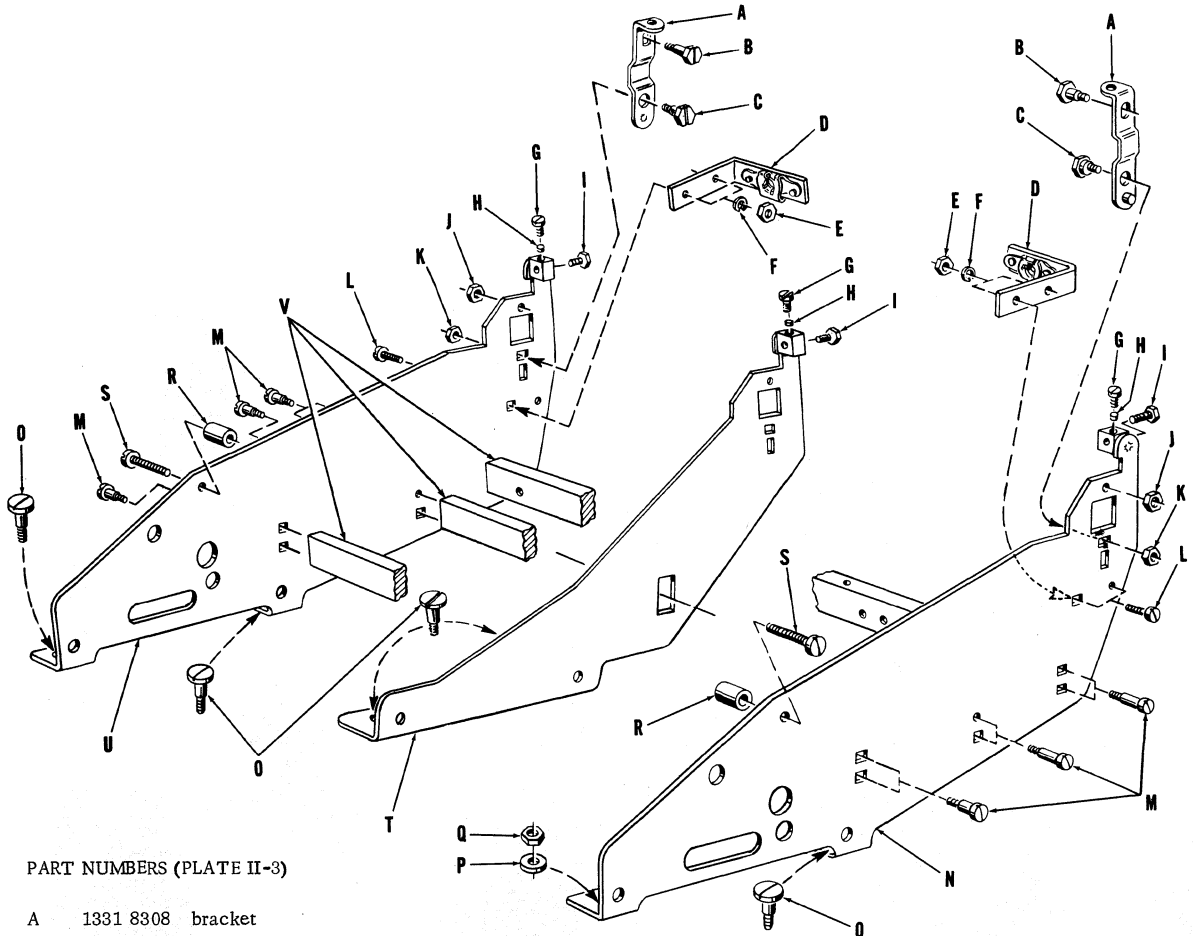


Carriage and Program Unit

PART NUMBERS (PLATE II-2) CONTINUED

K	1328 1720	lock plate right and left	1526 5796	form guide shaft assembly, pin feed, includes I thru S	V	1522 5485	plastic form guide, left, included in X	
	1526 4864	lock plate, right, pin feed				1522 5477	plastic form guide, right, included in X	
	1526 4872	lock plate, left, pin feed	O	1303 1729	screw	W	1321 2881	nut, included in X
L	1255 3152	clip	P	1303 2206	spring	X	1522 5444	plastic form platform
M	1522 1427	arm, right	Q	1257 3887	nut		1522 7077	complete platform assembly, includes V, W, AA, AB
	1522 1443	arm, left	R	1017 4118	washer			
N	1522 1450	form guide shaft	S	1328 1811	eccentric screw			
	1522 1963	form guide shaft assembly, includes I thru S	T	1522 5006	check table	Y	1508 2407	hanger, right
			U	1523 3950	screw		1508 2415	hanger, left
				1265 4564	screw, for non-removable check table	Z	1337 1430	washer
						AA	1256 0876	screw, included in X
						AB	1340 5097	thumb screw

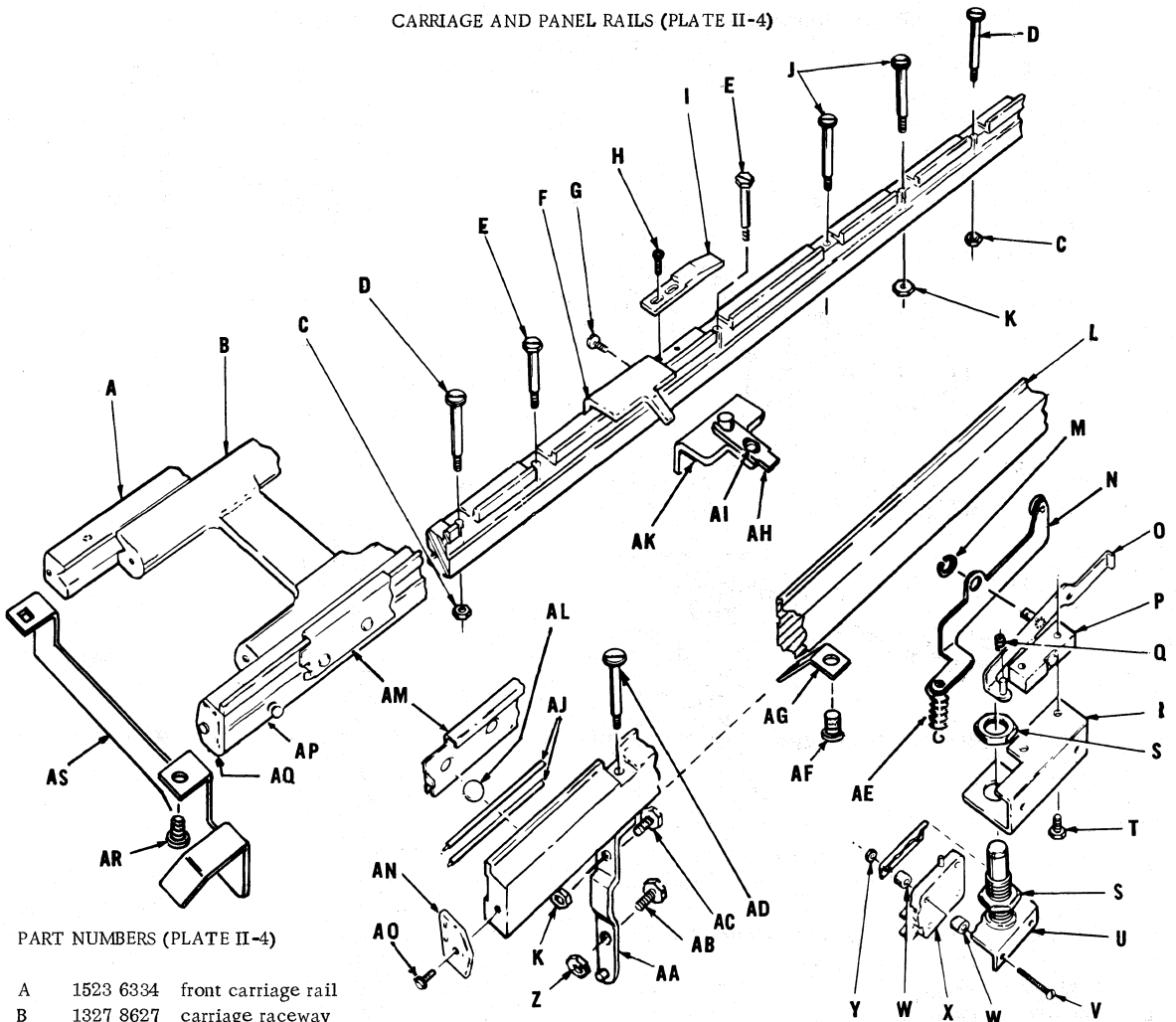
CARRIAGE SUPPORT FRAMES (PLATE II-3)



PART NUMBERS (PLATE II-3)

A	1331 8308	bracket	K	1010 0402	nut	Q	1010 0402	nut
B	1340 5501	shoulder screw	L	1256 0694	screw	R	1341 9411	spacer
C	1340 2300	eccentric screw	M	1304 0787	screw	S	1256 1536	screw
D	1511 1248	case bracket	N	1510 8897	right support frame	T	1510 8913	center support frame
E	1256 5230	nut	O	1316 5329	shoulder screw	U	1510 8905	left support frame
F	1256 7434	lockwasher	P	1342 6648	washer	V	1510 8921	tie bar
G	1304 1645	screw						
H	1303 8278	brass slug						
I	1304 2056	screw						
J	1256 5263	nut						

CARRIAGE AND PANEL RAILS (PLATE II-4)



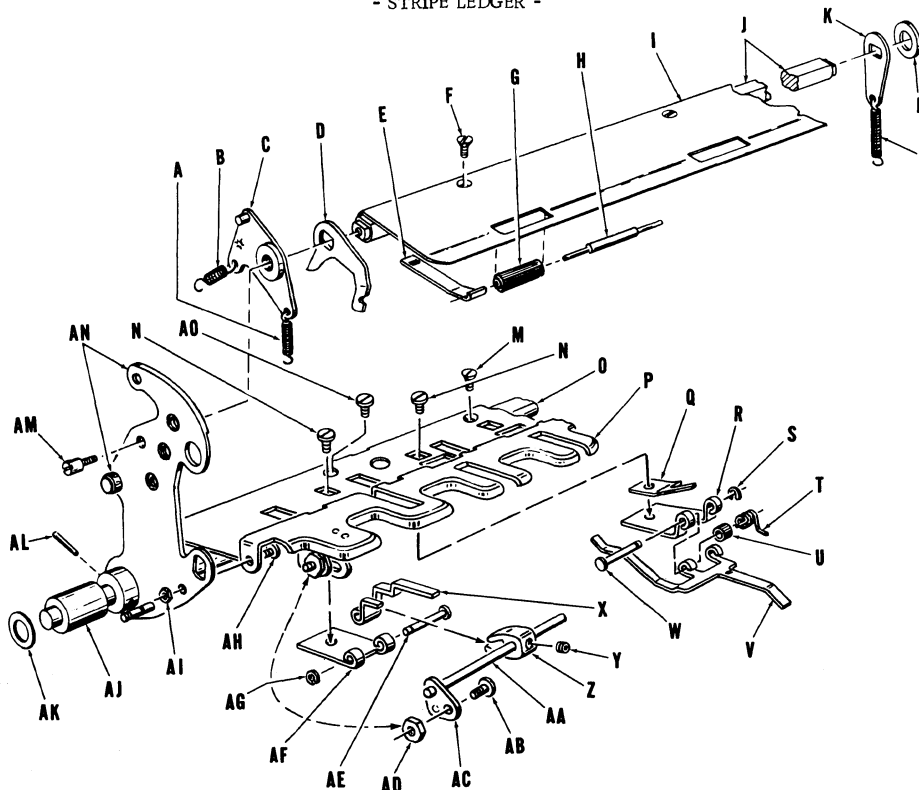
PART NUMBERS (PLATE II-4)

A	1523 6334	front carriage rail			
B	1327 8627	carriage raceway			
	1522 1369	carriage raceway, stripe ledger			
C	1010 0410	nut			
D	1340 5527	screw			
E	1510 8533	screw			
F	1327 3271	rebound blank, included in AP, stripe ledger			
G	1010 9981	screw, use 1256 7442 lockwasher, included in AP			
H	1256 0686	screw			
I	1328 2306	skid			
J	1304 4805	screw			
K	1010 0360	nut			
L	1510 4409	panel rail			
	1509 9484	complete panel rail assembly, includes M thru R, T, AE, AJ, AL thru AO			
M	1010 0147	clip, included in L			
N	1523 5567	switch actuator, included in L			
O	1328 2298	interlock, included in L			
P	1328 2330	block, included in L			
Q	1341 0444	spring, included in L			
R	1328 2421	bracket, included in L			
S	-- --	included in U			
T	1017 2096	screw, included in L			
U	1325 8090	actuator, includes S			
V	1256 0199	screw			
W	1341 9536	spacer			
X	1034 5254	switch			
Y	1256 5180	nut			
Z	1256 5263	nut			
AA	1331 8308	adjustable support			
AB	1340 5501	screw			
AC	1340 2300	eccentric screw			
AD	1340 5519	screw			
AE	1027 3399	spring			
AF	1256 0843	screw			
AG	1511 1313	bracket			
AH	1523 5211	shift finger			
AI	1010 5377	screw			
AJ	1328 2991	bearing rods, included in L and AP			
AK	1523 5252	skid deflector			
AL	1338 0183	bearing, included in L and AP			
AM	1523 7001	bearing retainer, included in L and AP			
AN	1328 2322	cap, right end, included in L			
	1328 2314	cap, left end, included in L			
AO	1010 9981	screw			
AP	1510 8566	rear carriage rail			
	1510 9408	complete rear carriage rail assembly, stripe ledger, includes F, G, AJ, AL, AM, AO, AQ			
	1523 5658	complete rear carriage rail assembly, non-stripe ledger, includes AJ thru AM, AO, AQ			
AQ	1328 2314	cap, right end, included in AP			
	1328 2322	cap, left end, included in AP			
AR	1010 9197	screw			
AS	1523 7043	bracket			

Carriage and Program Unit

INNER END PLATE AND JOURNAL PAPER GUIDE ASSEMBLY (PLATE II-5)

- STRIPE LEDGER -

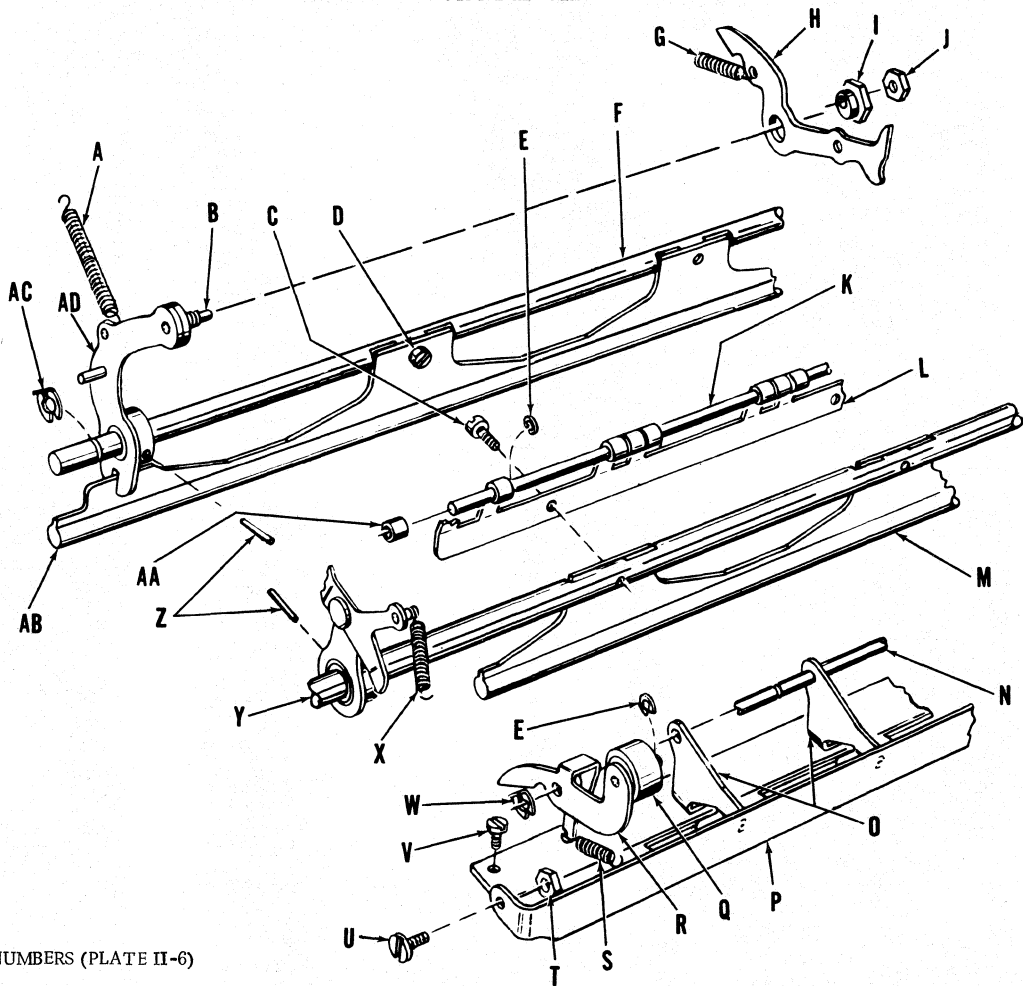


PART NUMBERS (PLATE II-5)

1523 7258	complete ledger and statement pan, in-	T	1509 4295	torsion spring	
A	1027 6798	spring	U	1334 2688	knurled adjusting wheel
B	1013 3106	spring	V	1509 4279	pressure leaf
C	1522 1583	camming lever	W	1509 4303	joint pin
	1526 5010	camming lever, pin feed	X	1523 7100	check limit, 1 1/2" printing line
D	1522 1567	lever		1523 7118	check limit, 1 3/4" printing line
E	1522 1542	flat spring, included in I	Y	1255 7575	setscrew
F	1035 0890	screw, included in I	Z	1523 7084	cam block
G	1303 3253	pressure roll, included in I	AA	1523 7076	shaft and pivot arm assembly
H	1302 6091	shaft, included in I	AB	1340 5303	screw
I	1522 1500	paper guide assembly, includes E, F, G, H, J	AC	1522 4785	support plate
J	1522 1518	shaft, included in I	AD	1308 1005	nut
K	1522 1575	spring anchor	AE	1523 7134	joint pin
	1526 5028	spring anchor, pin feed	AF	1523 7126	pivot support bracket
L	1337 5183	washer	AG	1255 3095	retaining clip
M	1010 4719	screw	AH	1028 8769	screw
N	1018 0289	screw	AI	1057 3665	nut
O	1522 1591	inner carriage end plate assembly, in-	AJ	1303 0721	space collar
		cludes AL, AN	AK	1010 5963	washer
P	1523 7142	ledger and statement pan	AL	1010 0501	pin, included in O
Q	1509 4311	detent	AM	1303 1406	screw
R	1509 4287	pivot bracket		1526 5002	screw, pin feed
S	1255 3384	retaining clip	AN	-- --	included in O
			AO	1340 3092	screw

Carriage and Program Unit

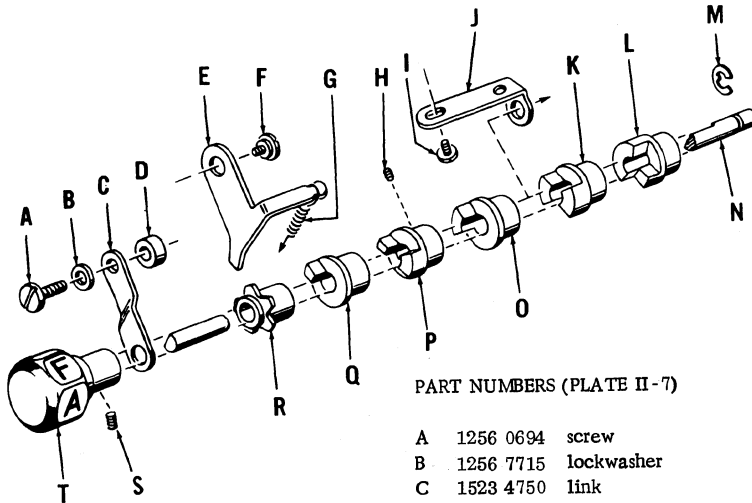
LOWER PRESSURE ROLLS, OPENING AND CLOSING AND FORM SPACE BAILS (PLATE II-6)  
-STRIPE LEDGER-



PART NUMBERS (PLATE II-6)

A	1340 8935	spring			
B	-- --	included in F			
C	1010 4198	screw			
D	1257 0636	screw			
E	1255 3129	clip			
F	1522 1252	platen feed shaft, includes B, H, I, J, Z, and arm AD on right and left end			
G	1308 1716	spring			
H	1302 6638	spacing pawl, left			
	1302 6620	spacing pawl, right, included in F			
I	1017 9802	eccentric, included in F			
J	1013 7883	nut, included in F			
K	1333 9221	shaft, 5 1/8" long			
	1522 1880	shaft, 2 1/8" long			
L	1333 9247	bracket, 5 1/8" long			
	1333 9254	pressure roll actuating bracket assembly, 5 1/8" long, includes E, K, AA			
M	1523 4743	carriage open and close bail for pressure finger selection shaft construction			
N	1522 1286	carriage open and close bail without pressure finger selection shaft construction			
O	1522 1906	shaft			
P	1522 1914	bracket, includes O			
Q	1326 8222	pressure roll			
R	1522 1948	bracket			
S	1027 2847	spring			
T	1256 5222	nut			
U	1257 3374	screw			
V	1340 5782	screw			
W	1010 0212	clip			
X	1026 9801	spring			
Y	1523 4693	carriage open and close shaft assembly for pressure finger selection shaft construction			
Z	1522 1245	carriage open and close shaft assembly without pressure finger selection shaft construction			
AA	1010 0501	pin, included in F, Y			
AB	1337 5175	steel roller			
AC	1303 2982	22" form space bail clip			
AD	1010 0089	clip			
	-- --	included in F			

PRESSURE FINGER SELECTION SHAFT ASSEMBLY (PLATE II-7)

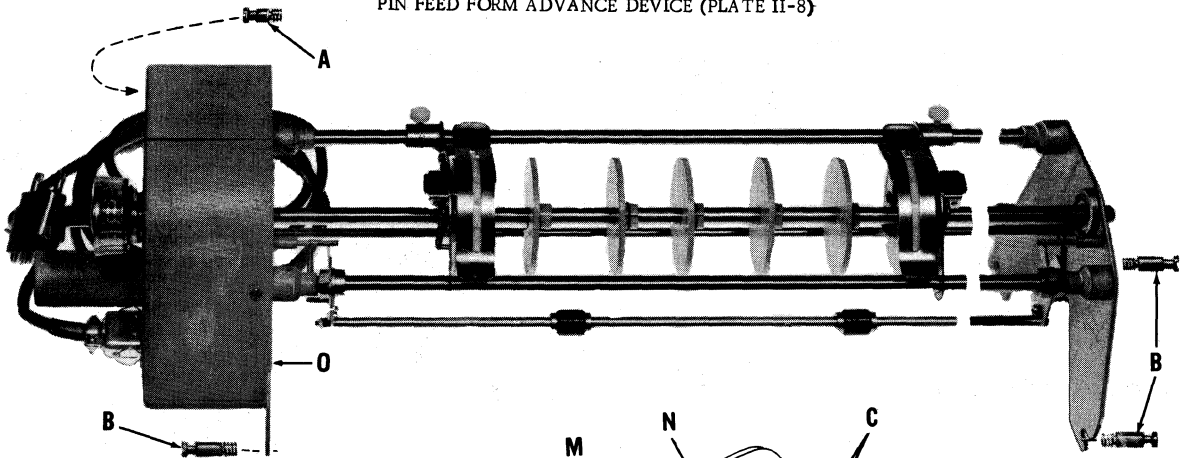


PART NUMBERS (PLATE II-7)

- A 1256 0694 screw
- B 1256 7715 lockwasher
- C 1523 4750 link

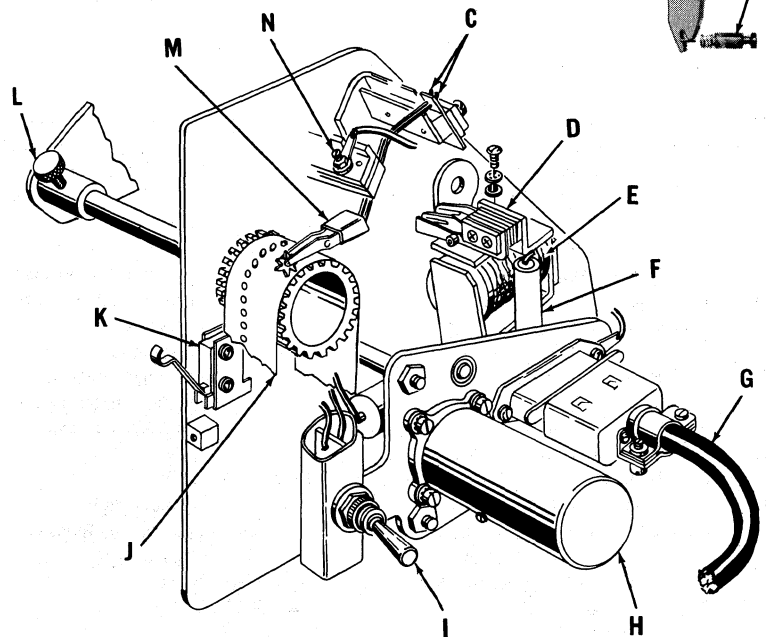
- D 1301 0178 spacer
- E 1523 4552 latch arm
- F 1010 9759 shoulder screw
- G 1018 0594 spring
- H 1255 7575 setscrew
- I 1010 5229 screw
- J 1523 4537 bracket
- K 1523 4594 pressure finger cam
- L 1523 4602 pressure finger cam
- M 1255 3129 clip
- N 1523 4651 shaft
- O 1523 4586 pressure finger cam
- P 1523 4578 pressure finger cam
- Q 1523 4560 pressure finger cam
- R 1523 4545 detent
- S 1255 7708 setscrew
- T 1523 4644 knob

PIN FEED FORM ADVANCE DEVICE (PLATE II-8)



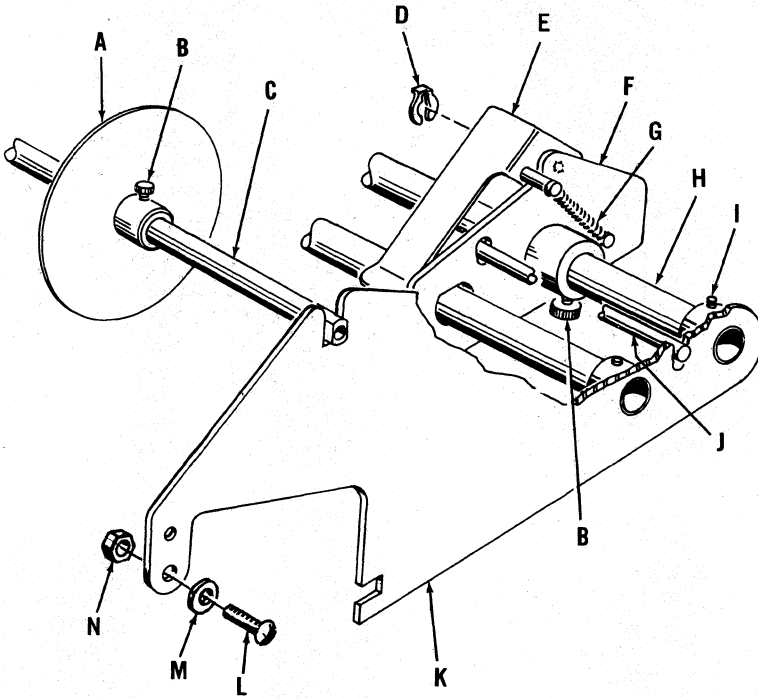
PART NUMBERS (PLATE II-8)

- 1526 5630 complete assembly includes all parts shown except A, B, J
- A 1526 5200 mounting screw
- B 1526 5218 mounting screw
- C 1526 8352 contact wire
- D 1526 8345 solenoid leaf switch
- E 1526 8402 coil assembly
- F 1526 8410 suppression diode
- G 1526 8436 cable assembly
- H 1526 8386 motor and gear assembly
- I 1526 8428 power on switch
- J 1526 8261 program tape cover switch
- K 1526 8378 cover switch
- L 1526 8444 feed finger screw
- M 1526 8360 sense lever and star wheel assembly
- N 1526 8394 contact screw
- O 1527 7866 cover



Carriage and Program Unit

"INFEED" GUIDE ASSEMBLY, PIN FEED (PLATE II-9)

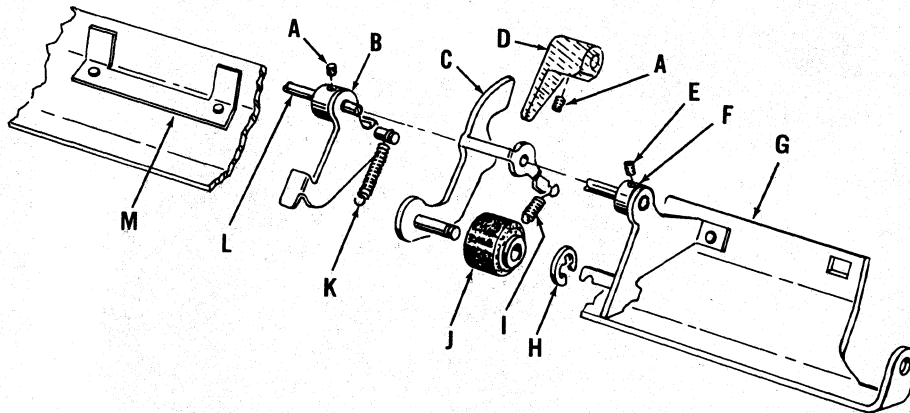


PART NUMBERS (PLATE II-9)

A	1526 4625	journal roll locator
B	1526 4542	thumb screw
C	1526 4641	journal roll support shaft
D	1010 0238	clip
E	1526 4567	pressure finger, right hand
	1526 4559	pressure finger, left hand
F	1526 4575	infeed guide plate, right hand
	1526 4591	infeed guide plate, left hand
G	1027 7457	spring
H	1526 4633	paper guide shaft
I	1255 8102	set screw
J	1526 4609	form tension shaft, use 1255 3152 clip
K	1526 4674	side plate, right, stripe ledger
	1526 5085	side plate, right, non-stripe ledger
	1526 4658	side plate, left, stripe ledger
	1526 5093	side plate, left, non-stripe ledger
L	1340 6004	screw
M	1337 4095	spacer
N	1256 5230	nut

PRESSURE BRACKET ASSEMBLY, PIN FEED (PLATE II-10)

- STRIPE LEDGER -

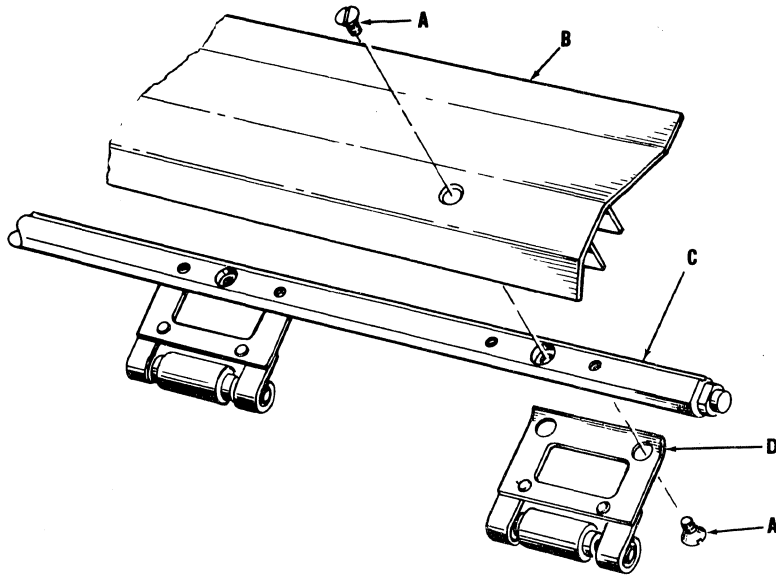


PART NUMBERS (PLATE II-10)

A	1255 7708	screw	G	1526 4500	bracket, includes M
B	1526 4476	release lever	H	1027 2847	clip
C	1526 4534	pressure roll bracket	I	1255 3129	spring
D	1526 4468	release arm	J	1326 8222	pressure roller
E	1255 7625	screw, included in F	K	1027 6806	spring
F	1342 7737	set collar, includes E	L	1526 4492	pivot shaft
			M	-- --	included in G

Carriage and Program Unit

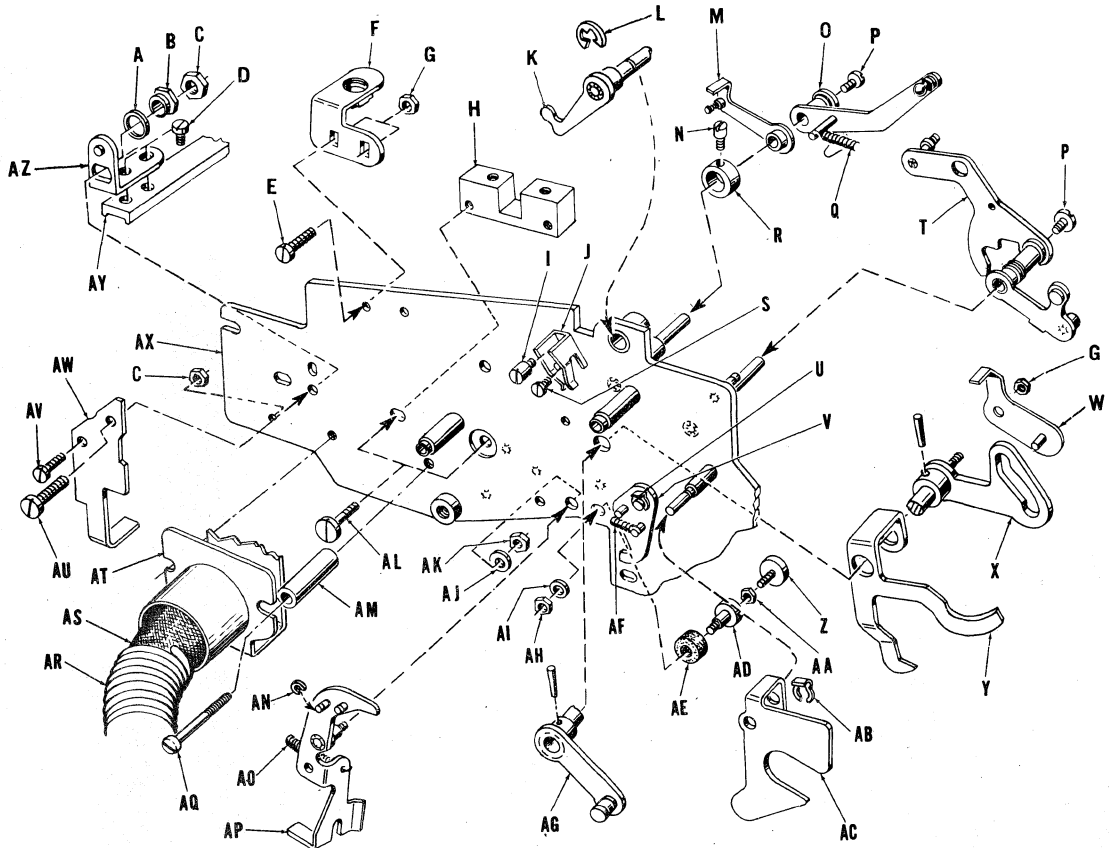
JOURNAL PAPER GUIDE AND REAR PRESSURE ROLL ASSEMBLY, PIN FEED (PLATE II-11)  
- STRIPE LEDGER -



PART NUMBERS (PLATE II-11)

1526 4682	complete assembly, includes A thru D
A	1035 0890 screw
B	1526 4369 paper guide
C	1526 4351 shaft
D	1526 4328 pressure roll assembly

LEFT END PLATE (PLATE II-12)  
- STRIPE LEDGER -



PART NUMBERS ON NEXT PAGE

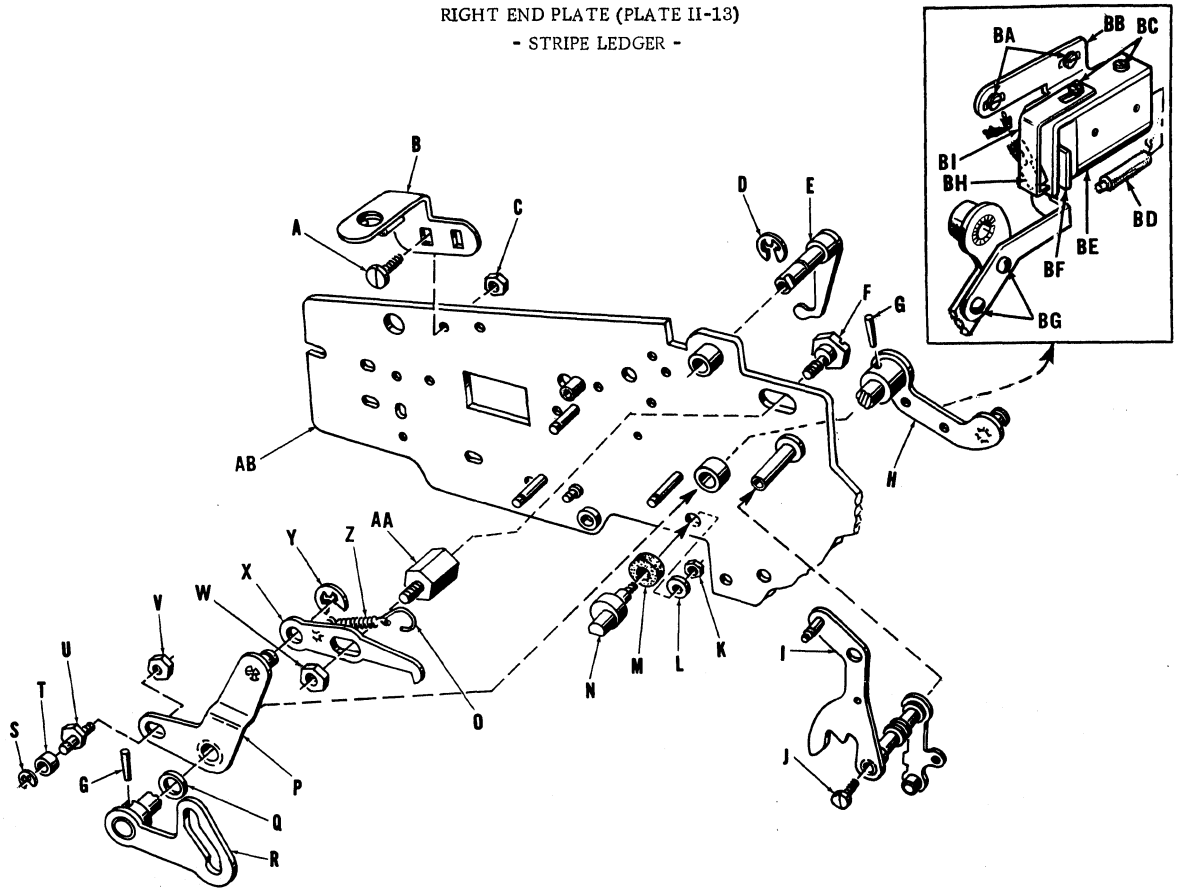
PART NUMBERS (PLATE II-12)

A	1342 7026	washer	X	1522 4769	camming link and shaft assembly, includes AG and 1010 0501 pins	AR	1522 6129	spiral cable wrap, series E2100, E4000, included in AS
B	1306 7830	eccentric					1527 4897	spiral cable wrap, series E6000, included in AS
C	1342 8362	nut						
D	1341 6961	screw, use 1256 7459 lockwasher		1526 5713	camming link and shaft assembly, pin feed, includes AG and 1010 0501 pins	AS	1522 6061	inter-connecting cable, series E2100, E4000, includes AR, AT and connectors
E	1256 1098	screw						
F	1522 5816	latching bracket						
G	1256 5263	nut						
H	1522 1658	support block, right and left		1526 5408	camming link and shaft assembly, pin feed, non-stripe ledger, includes AG and 1010 0501 pins		1527 3543	inter-connecting cable, series E6000, includes AR, AT and connectors
I	1522 8604	limit screw						
J	1522 8612	spring latch						
K	1522 1419	detent						
L	1255 3178	clip	Y	1522 1823	space disabling interlock			
M	1526 4930	switch actuator, pin feed	Z	1522 1047	screw	AT	-- --	included in AS
N	1017 1775	setscrew	AA	1010 0378	nut	AU	1311 7411	screw
O	1522 1799	journal table release	AB	1255 3152	clip	AV	1256 1486	screw
	1526 4823	journal table release, pin feed	AC	1328 1233	safety shield	AW	1522 5675	disabling arm
P	1017 9919	screw	AD	1526 8592	pivot		1511 1487	disabling arm, non-stripe ledger
Q	1027 2847	spring	AE	1526 8600	rubber washer	AX	1522 1849	end plate
R	1523 5559	set collar	AF	1026 9769	spring	AY	1328 2900	tie bar
S	1340 3852	screw	AG	-- --	included in X	AZ	1328 2918	mounting bracket
T	1522 1773	support	AH	1256 5743	nut			
	1526 5499	support, pin feed, non-stripe ledger	AI	1256 8010	washer			
U	1010 0220	retaining clip	AJ	1256 8002	washer			
V	1328 2835	interlock	AK	1256 5255	nut			
W	1526 4856	actuator arm, left side, pin feed	AL	1340 4876	screw			
	1526 4849	actuator arm, right side, pin feed	AM	1522 6160	spacer			
			AN	1255 3129	clip			
			AO	1027 3431	spring			
			AP	1328 2827	actuating arm			
			AQ	1256 1189	screw			



Carriage and Program Unit

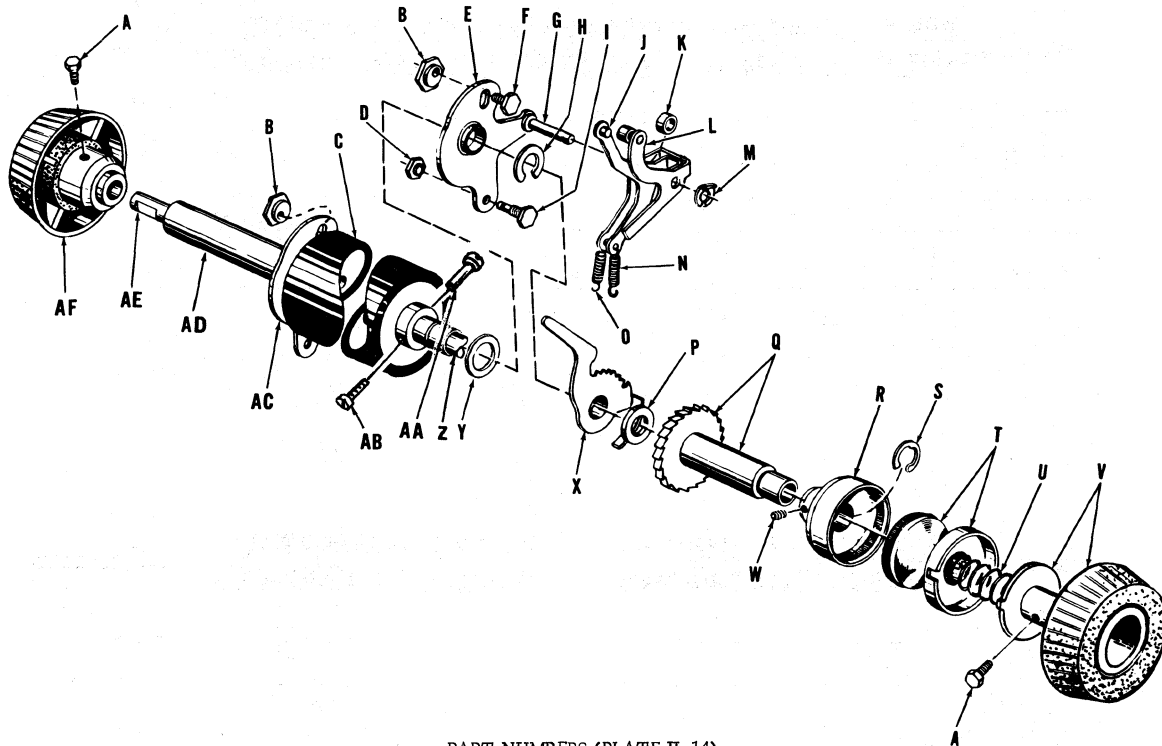
RIGHT END PLATE (PLATE II-13)  
- STRIPE LEDGER -



PART NUMBERS (PLATE II-13)

A	1256 1098	screw	O	1341 2226	spring anchor	X	1526 4294	ratchet pawl
B	1522 1765	latching bracket	P	1522 1757	ratchet arm	Y	1017 4290	retaining clip
C	1256 5263	nut	Q	1337 1398	spacer	Z	1340 9495	spring
D	1255 3178	retaining clip	R	1522 4736	camming link and shaft assembly, includes G, H	AA	1526 7768	hex post, use 1010 8777 washer
E	1522 1393	detent and pivot assembly		1526 5705	camming link and shaft assembly pin feed, includes G, H	AB	1522 1708	end plate
F	1340 1880	eccentric screw		1526 5515	camming link and shaft assembly, pin feed, includes G, H		1526 4914	end plate, pin feed
G	1010 0501	pin, included in R					1526 5390	end plate, pin feed, non-stripe ledger
H	-- --	included in R				BA	1340 3852	screw
I	1522 1666	right support	S	1300 1490	retaining clip	BB	1522 5659	bracket
	1526 5531	right support, pin feed, non-stripe ledger	T	1303 0903	roller	BC	1256 0355	screw
J	1017 9919	screw	U	1340 1575	eccentric stud	BD	1522 4710	lamp
K	1256 5743	nut	V	1338 7378	shoulder nut	BE	1522 5691	mounting block
L	1256 8010	washer	W	1010 0386	nut	BF	1522 5667	light shutter
M	1341 6524	rubber shock washer				BG	1256 0512	screw
N	1340 2334	bumper block				BH	1522 4058	solar cell, includes leads
						BI	1522 5683	retaining bracket

PLATEN SHAFTS AND FORM SPACING MECHANISM (PLATE II-14)



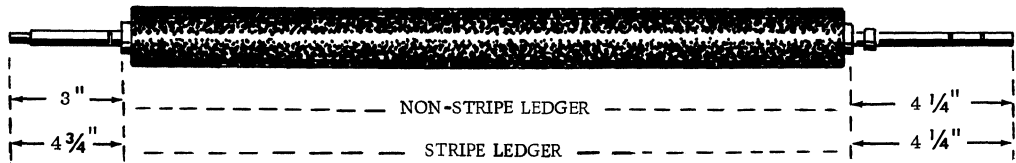
PART NUMBERS (PLATE II-14)

A	1343 0087	setscrew, included in V, AC	R	1505 8969	clutch cup, right or left	AB	1257 0511	platen shaft screw
B	1341 8504	eccentric shoulder nut	S	1255 3418	clip	AC	1327 3354	bearing plate, includes G
C	-- --	refer to Platens	T	1303 1257	variable line spacer	AD	1523 2069	sleeve
D	1303 1216	shoulder nut	U	1303 2230	compression spring	AE	1522 1492	platen shaft 4 3/4", stripe ledger, for normal or split and normal platens, included in C
E	1327 3362	bearing plate, includes G	V	1327 5441	twirler, includes A			
F	1303 1562	screw	W	1303 1836	setscrew			
G	-- --	included in E, Z	X	1326 9808	spacing selector, right			
H	1300 1458	clip		1302 6661	spacing selector, left	1326 7729		platen shaft 3", non-stripe ledger, for normal platen, included in C
I	1303 1703	screw spring stud	Y	1027 6335	washer			
J	1302 6810	yoked detent, right	Z	1326 6606	platen shaft 4 1/4", stripe ledger, for normal or split and normal platens, included in C	1326 7745		platen shaft 4 1/4", non-stripe ledger, for split and normal platen, included in C
K	1302 6836	yoked detent, left						
L	1303 0820	space collar						
M	1302 6778	yoked detent, right						
N	1302 6794	yoked detent, left						
O	1010 0238	clip						
P	1015 2239	spring						
Q	1013 3312	spring						
	1302 7883	washer						
	1302 6844	spacing ratchet, right						
	1522 1468	spacing ratchet, left	AA	1338 8020	platen shaft bushing	AF	1327 5458	twirler, includes A
							1327 5441	twirler, for split and normal platen, includes A

Carriage and Program Unit

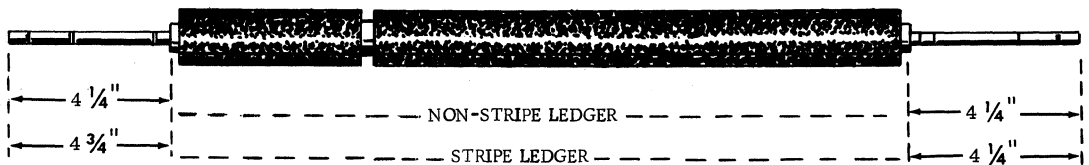
PLATENS (PLATE II-15)

NORMAL PLATENS



DESCRIPTION			PART NUMBERS	
LENGTH	CARBON	SPACING	NON-STRIPE LEDGER	STRIPE LEDGER
22"	5-9	1/6	1326 6762	
22"	12	1/6	1326 7026	
22"	5-9	1/6		1523 2085
22"	12	1/6		1523 2093

SPLIT AND NORMAL PLATENS

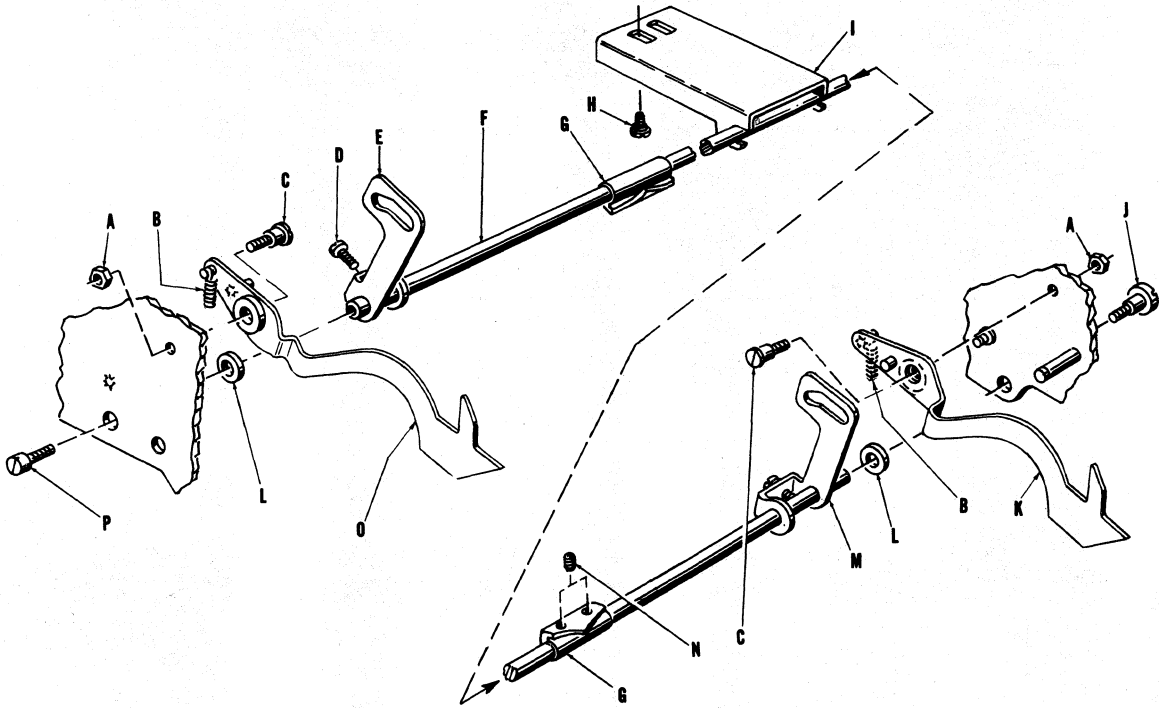


NOTE: Platens listed below for stripe ledger carriages are split left only. Platens with special splits not listed below must be ordered by description specifying split from left end, e.g., - 1523 6706 (22", split 12" left, 1/6" spacing, 12 carbon) for stripe ledger carriage, or 1326 6523 (22", split 10" left, 1/6" spacing, 12 carbon) for non-stripe carriage.

DESCRIPTION				PART NUMBERS	
LENGTH	CARBON	SPACING	SPLIT	NON-STRIPE LEDGER	STRIPE LEDGER
22"	5-9	1/6	2 3/8"	1326 7695	1522 1484
22"	12	1/6	2 3/8"	1326 7703	1523 2077
22"	5-9	1/6	3 5/8"	1326 6887	1523 2614
22"	12	1/6	3 5/8"	1326 6986	1523 2622
22"	5-9	1/6	6"	1326 6895	
22"	12	1/6	6"	1326 6994	
22"	5-9	1/6	6 1/2"		1523 2143
22"	12	1/6	6 1/2"		1523 2416
22"	5-9	1/6	9"	1326 6903	1523 2127
22"	12	1/6	9"	1326 7000	1523 2135
22"	5-9	1/6	11"	1326 6911	1523 2101
22"	12	1/6	11"	1326 7018	1523 2119
22"	5-9	1/6	13"		1523 2440
22"	12	1/6	13"		1523 2473
22"	5-9	1/6	15"		1523 2507
22"	12	1/6	15"		1523 2531

SPLIT PLATEN SPACING CONTROL (PLATE II-16)

-STRIPE LEDGER-

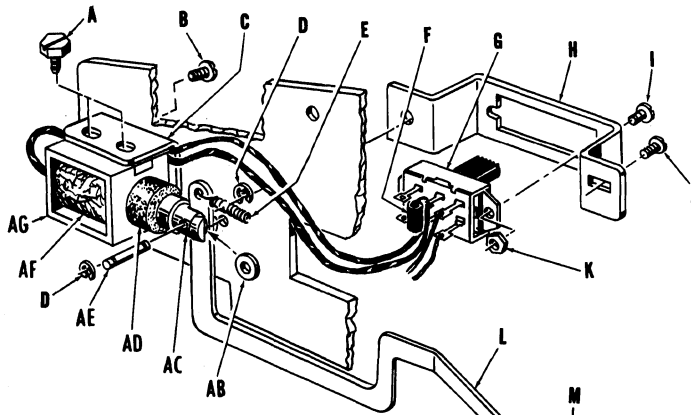


PART NUMBERS (PLATE II-16)

A	1010 0378	nut
B	1017 1437	spring
C	1522 1641	screw
D	1010 4198	screw
E	1522 1377	cam
	1526 4955	cam, pin feed
F	1326 8313	skid shaft
G	1327 4469	skid, includes N
H	1017 9984	screw
I	1522 3209	bracket
J	1340 6194	screw
K	1522 1690	space control arm
L	1307 1964	spacer
M	1522 1385	cam
N	1303 1836	screw, included in G
O	1522 1831	space control arm
P	1303 1406	screw

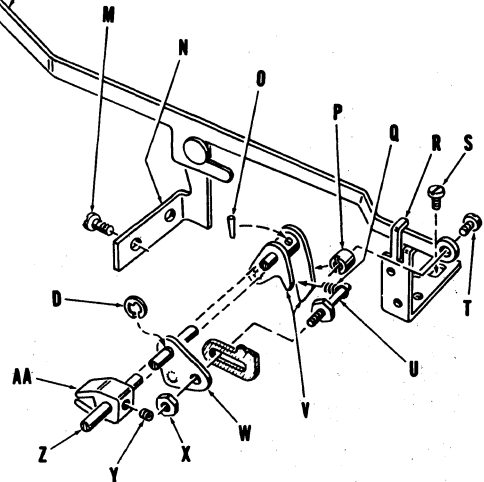
Carriage and Program Unit

CHECK STOP MECHANISM (PLATE II-17)  
-STRIPE LEDGER-

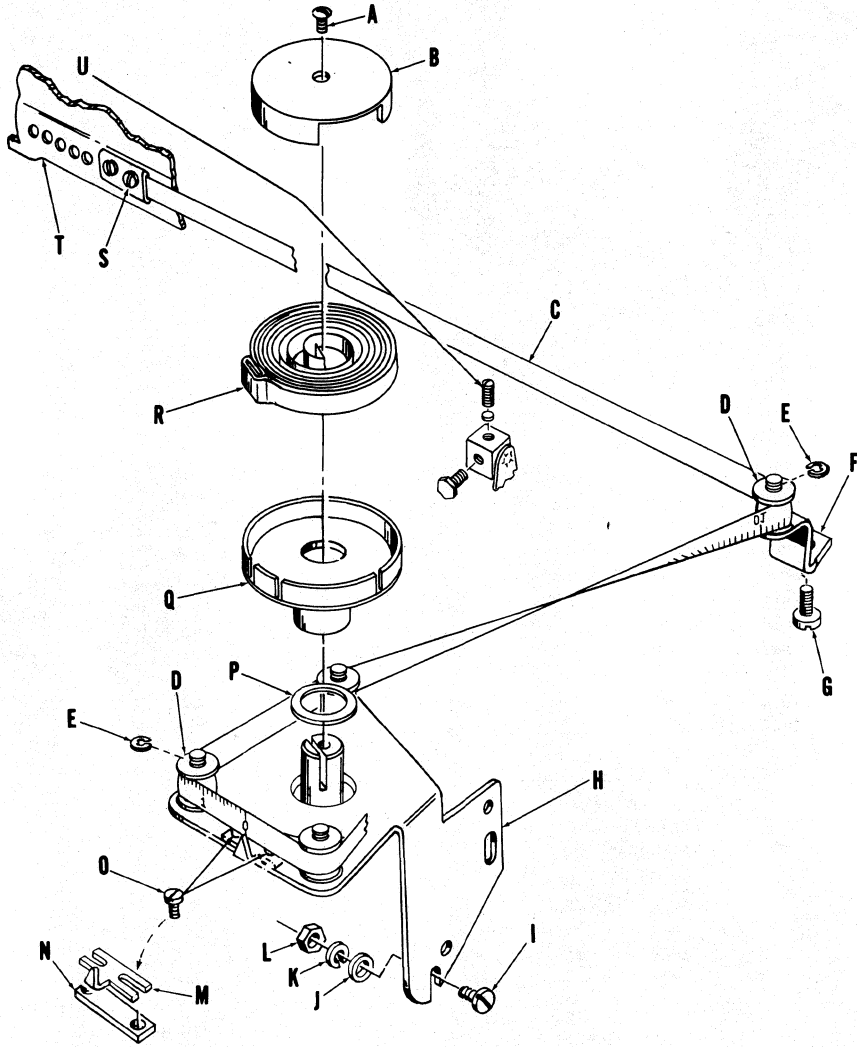


PART NUMBERS (PLATE II-17)

A	1340 3167	screw		
B	1523 1541	screw		
C	1522 4793	support bracket		
D	1255 3129	retaining clip		
E	1028 8959	spring		
F	1340 2656	diode		
G	1341 1731	switch		
H	1522 4199	switch bracket		
I	1017 2369	screw		
J	1256 0835	screw		
K	1010 0378	nut		
L	1523 7167	solenoid link, after serial F163407P		
	-- --	Before serial F163408P, use 1523 7167 solenoid link, 1523 7258 complete ledger and statement pan, 1523 7159 guide bracket.		
M	1257 2301	screw		
N	1522 4777	guide bracket		
O	1017 0942	pin, included in Z		
P	1522 4918	round nut		
Q	1027 7689	spring		
R	1523 7159	guide bracket		
S	1010 4198	screw		
T	1256 0223	screw, use 1256 7418 lockwasher		
U	1523 7233	spring post, after serial F163407P		
	-- --	Before serial F163408P, use 1523 7258 complete ledger and statement pan, 1523 7167 solenoid link, 1523 7159 guide bracket.		
V	-- --	included in Z		
W	1522 4785	support plate		
X	1308 1005	nut		
Y	1255 7575	setscrew		
Z	1523 7076	shaft and pivot arm assembly, after serial F163407P, includes O, V		
	-- --	Before serial F163408P, use 1523 7258 complete ledger and statement pan, 1523 7167 solenoid link, 1523 7159 guide bracket.		
AA	1523 7084	cam block, after serial F163407P		
	-- --	Before serial F163408P, use 1523 7258 complete ledger and statement pan, 1523 7167 solenoid link, 1523 7159 guide bracket.		
AB	1010 9726	spacer		
AC	1310 0524	plunger		
AD	1509 4345	rubber spacer		
AE	1320 0076	pin		
AF	-- --	included in AG		
AG	1341 8686	solenoid, includes AF		



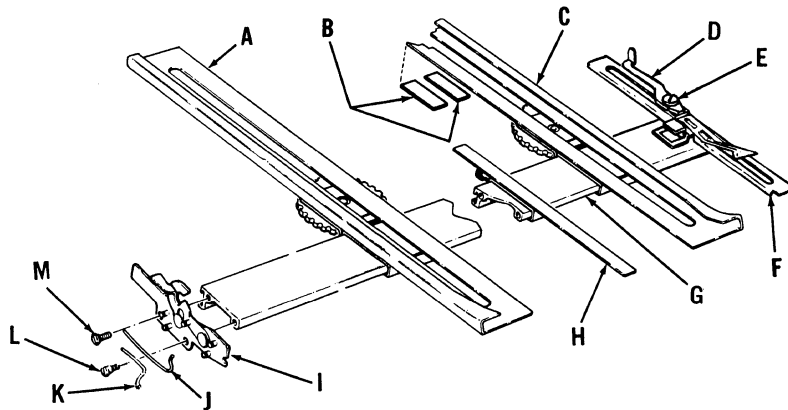
CARRIAGE POSITION INDICATOR (PLATE II-18)



PART NUMBERS (PLATE II-18)

A	1256 0686	screw	N	1523 1442	shim
B	1523 1343	drum assembly cover	O	1257 0362	screw
C	1523 1384	indicator tape	P	1525 3677	spacer
D	1503 0943	nylon flanged roller	Q	1523 1426	spring drum assembly
E	1255 3129	retainer clip	R	1523 1368	power spring
F	1503 0935	bracket	S	1523 1467	thread forming screw
G	1303 1778	screw	T	1523 1483	shield, non-stripe ledger
H	1503 0976	mounting bracket		1522 1302	shield, stripe ledger
I	1256 0702	screw		1526 4740	shield, pin feed, stripe ledger
J	1337 1208	spacer	U	1527 0200	screw
K	1256 7715	lockwasher			
L	1257 3887	nut			
M	1523 1335	pointer			

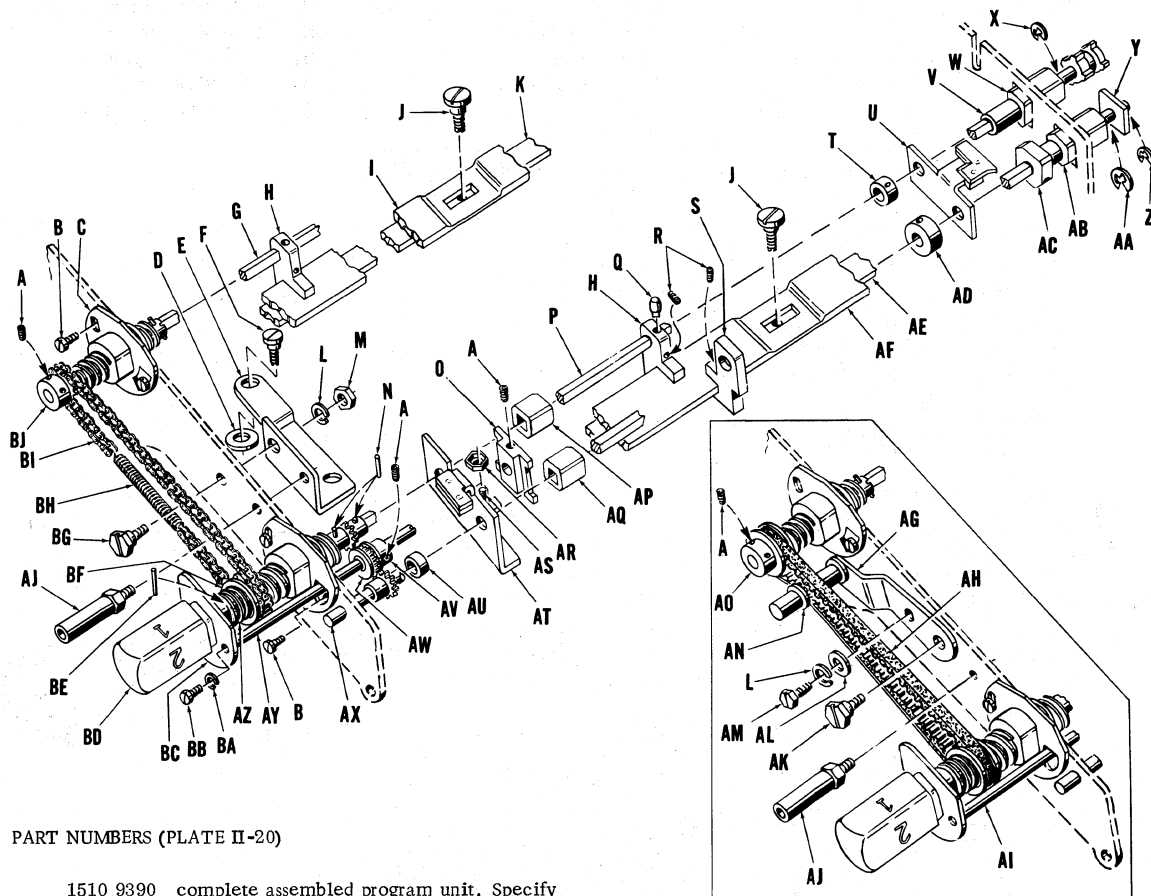
REAR FORM CHUTES (PLATE II-19)



PART NUMBERS (PLATE II-19)

Complete Assembled Rear Form Chutes																		
1327 7256	contains 1 set of style 3 chutes and 1 flat guide																	
1327 7280	contains 2 sets of style 3 chutes and 2 flat guides																	
1506 0304	contains 1 set of style 5-9A chutes for use with check limits, 1 set of style 9A check limits and 1 flat guide																	
A	<table border="0"> <tr> <td>1327 0632</td> <td>style 3</td> <td rowspan="3">} complete assembled left form chutes</td> </tr> <tr> <td>1327 0673</td> <td>style 5-9A for use with check limits</td> </tr> <tr> <td></td> <td>style 9A</td> </tr> <tr> <td></td> <td>1327 0624</td> <td>style 3</td> <td rowspan="3">} left form chute only</td> </tr> <tr> <td></td> <td>1327 0665</td> <td>style 5-9A for use with check limits</td> </tr> <tr> <td></td> <td></td> <td>style 9A</td> </tr> </table>	1327 0632	style 3	} complete assembled left form chutes	1327 0673	style 5-9A for use with check limits		style 9A		1327 0624	style 3	} left form chute only		1327 0665	style 5-9A for use with check limits			style 9A
1327 0632	style 3	} complete assembled left form chutes																
1327 0673	style 5-9A for use with check limits																	
	style 9A																	
	1327 0624	style 3	} left form chute only															
	1327 0665	style 5-9A for use with check limits																
		style 9A																
B	1328 2223	billiard cloth, included in A, C																
C	<table border="0"> <tr> <td>1327 0616</td> <td>style 3</td> <td rowspan="3">} complete assembled right form chutes</td> </tr> <tr> <td>1327 0657</td> <td>style 5-9A for use with check limits</td> </tr> <tr> <td></td> <td>style 9A</td> </tr> <tr> <td></td> <td>1327 0608</td> <td>style 3</td> <td rowspan="2">} right form chute only</td> </tr> <tr> <td></td> <td>1327 0640</td> <td>style 5-9A for use with check limits</td> </tr> <tr> <td></td> <td></td> <td>style 9A</td> </tr> </table>	1327 0616	style 3	} complete assembled right form chutes	1327 0657	style 5-9A for use with check limits		style 9A		1327 0608	style 3	} right form chute only		1327 0640	style 5-9A for use with check limits			style 9A
1327 0616	style 3	} complete assembled right form chutes																
1327 0657	style 5-9A for use with check limits																	
	style 9A																	
	1327 0608	style 3	} right form chute only															
	1327 0640	style 5-9A for use with check limits																
		style 9A																
D	1506 0155	right check limit, included in F																
	1506 0148	left check limit, included in F																
E	1328 1472	screw, included in F, use 1302 8469 friction washer, 1327 1192 locking plate																
F	<table border="0"> <tr> <td>1506 0163</td> <td>right limit, includes D, E</td> <td rowspan="2">} style 9A check limits</td> </tr> <tr> <td>1506 0171</td> <td>left limit, includes D, E</td> </tr> </table>	1506 0163	right limit, includes D, E	} style 9A check limits	1506 0171	left limit, includes D, E												
1506 0163	right limit, includes D, E	} style 9A check limits																
1506 0171	left limit, includes D, E																	
G	1327 7264	table only																
H	1302 7867	center ledger support, split and normal platen																
	1302 7875	center ledger support																
I	1327 3628	left hanger																
	1327 3610	right hanger																
J	1343 0863	torsion spring																
K	1303 2180	torsion spring																
L	1343 0103	screw																
M	1343 0111	screw																

PROGRAM UNIT ASSEMBLY (PLATE II-20)



PART NUMBERS (PLATE II-20)

- 1510 9390 complete assembled program unit. Specify unit number or furnish form layout
- 1522 1237 partial program unit assembly. Does not include magazines, pins, stop dogs or disks
- A 1340 6236 screw
- B 1340 3845 screw
- C 1328 2629 worm sleeve, adjustable
- D 1337 1505 shim
- E 1510 7782 brace
- F 1340 5949 screw
- G 1510 7832 type skip shaft
- H 1327 8387 bearing brace, use 1255 7617 screw
- I 1510 7915 slide support bar
- J 1340 5568 screw, use 1337 8617 spacer
- K 1328 2736 spacer bar
- L 1256 7459 lockwasher
- M 1256 5263 nut
- N 1010 0626 pin
- O 1511 0356 detent
- P 1522 8661 skip shaft assembly for chain drive. For belt drive use 1522 8661 shaft assembly, 1522 8679 chain, 1522 8695 sprocket (2 req.), 1522 8711 spring, 1522 8687 shaft, 1340 3621 screw, 1340 6236 screw (4 req.)
- Q 1339 6361 lock pin
- R 1255 7617 screw
- S 1327 8379 bearing brace
- T 1337 9748 set collar, use 1255 7617 screw

- U 1328 2660 detent
- V 1510 7824 spacer
- W 1338 0191 shaft bearing
- X 1300 1490 retaining clip
- Y 1328 1001 detent
- Z 1255 3129 retaining clip
- AA 1300 1474 retaining clip
- AB 1338 0209 shaft bearing
- AC 1327 5193 spacer block
- AD 1010 3893 set collar, use 1255 7807 screw
- AE 1328 2736 spacer bar
- AF 1328 2728 slide support plate
- AG 1510 7857 adjustable blank
- AH 1338 5448 belt
- AI 1510 7881 idler shaft
- AJ 1511 9308 post, use 1256 7459 lockwasher
- AK 1510 7873 screw
- AL 1256 8028 washer
- AM 1257 2939 screw
- AN 1510 7907 idler
- AO 1328 0987 pulley
- AP 1327 5201 squaring block
- AQ 1327 5219 squaring block
- AR 1338 7998 nut

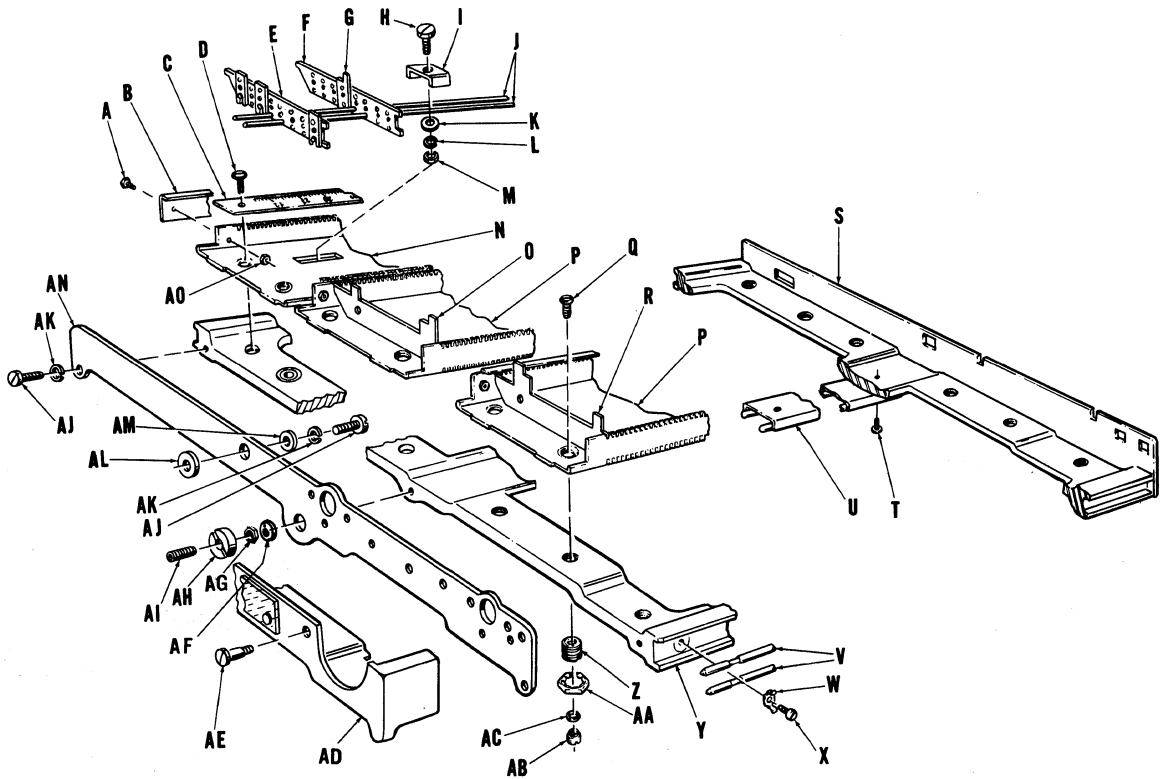


Carriage and Program Unit

PART NUMBERS (PLATE II-20) CONTINUED

AS 1340 5956 screw	AY 1522 8687 idler shaft	BE 1342 8495 pin
AT 1511 5892 detent	AZ 1013 3338 spring	BF 1328 0979 pulley flange
AU 1337 8609 spacer	BA 1256 7418 lockwasher	BG 1340 3621 screw
AV 1327 6977 flanged collar	BB 1257 2269 screw	BH 1522 8711 spring
AW 1327 5433 idler gear	BC 1328 2959 thrust plate	BI 1522 8679 chain
AX 1326 7919 stop dog shaft	BD 1327 5417 schedule selector knob	BJ 1522 8695 sprocket

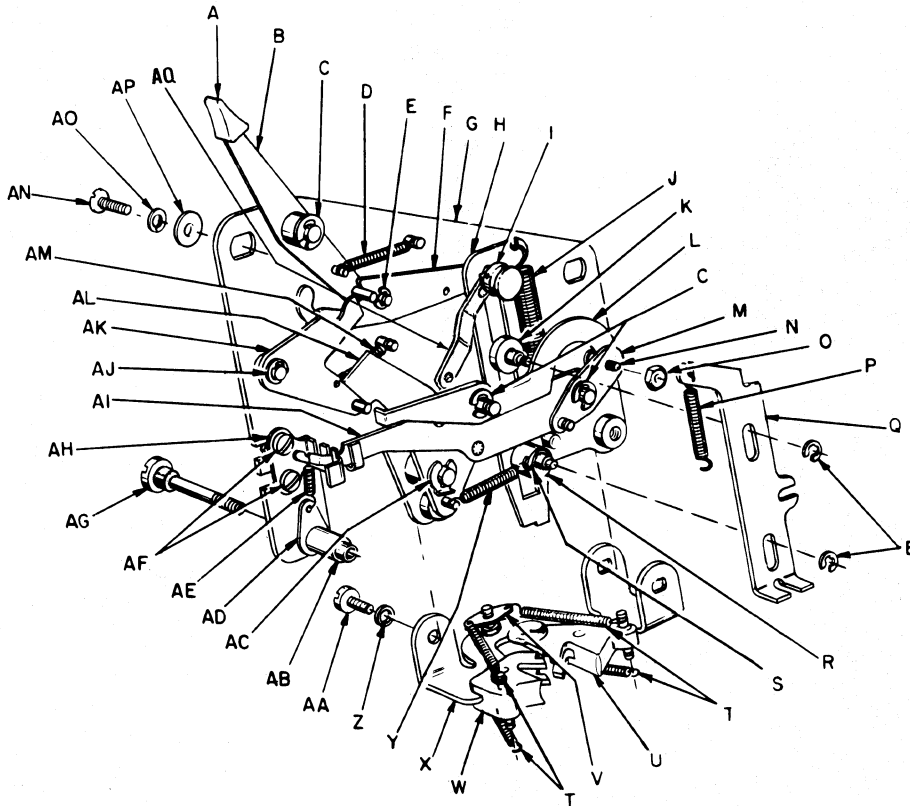
PROGRAM UNIT COMPONENT PARTS (PLATE II-21)



PART NUMBERS (PLATE II-21)

A 1303 1596 screw	P 1327 1077 magazine channel	AD 1510 7758 cover
B 1327 1143 retaining strip	Q 1340 5550 screw	AE 1017 2039 screw
C 1510 7972 graduated strip	R 1502 6115 gauging magazine	AF 1340 2326 eccentric washer
D 1340 5543 screw	S 1510 7964 left end plate	AG 1338 7865 nut
E 1511 7310 gauging magazine	T 1341 6961 screw	AH 1338 7873 round nut
F 1510 7923 magazine	U 1328 2751 pilot track	AI 1255 8466 screw
G 1510 7980 9Y pin	V 1328 2348 track rod, .123" dia.	AJ 1257 0990 screw
1327 2232 99Y pin	1328 2355 track rod, .124" dia.	AK 1256 7459 lockwasher
H 1017 2211 screw, use 1010 4867 screws at end positions	1328 2363 track rod, .125" dia.	AL 1337 6611 spacer
I 1510 7956 shaft retainer	1328 2371 track rod, .126" dia.	AM 1256 8036 washer
J 1510 7949 shaft	1328 2389 track rod, .127" dia.	AN 1522 8703 right end plate, for chain drive construction
K 1010 3927 washer	W 1340 6624 clip	1511 9316 right end plate, for belt drive construction
L 1256 7434 lockwasher	X 1340 3845 screw	AO 1010 0469 nut
M 1256 5230 nut	Y 1510 7725 program unit casting	
N 1510 7741 magazine channel	Z 1328 2793 insert	
O 1327 8270 gauging magazine	AA 1338 7881 nut	
	AB 1506 0536 round nut	
	AC 1400 5813 lockwasher	

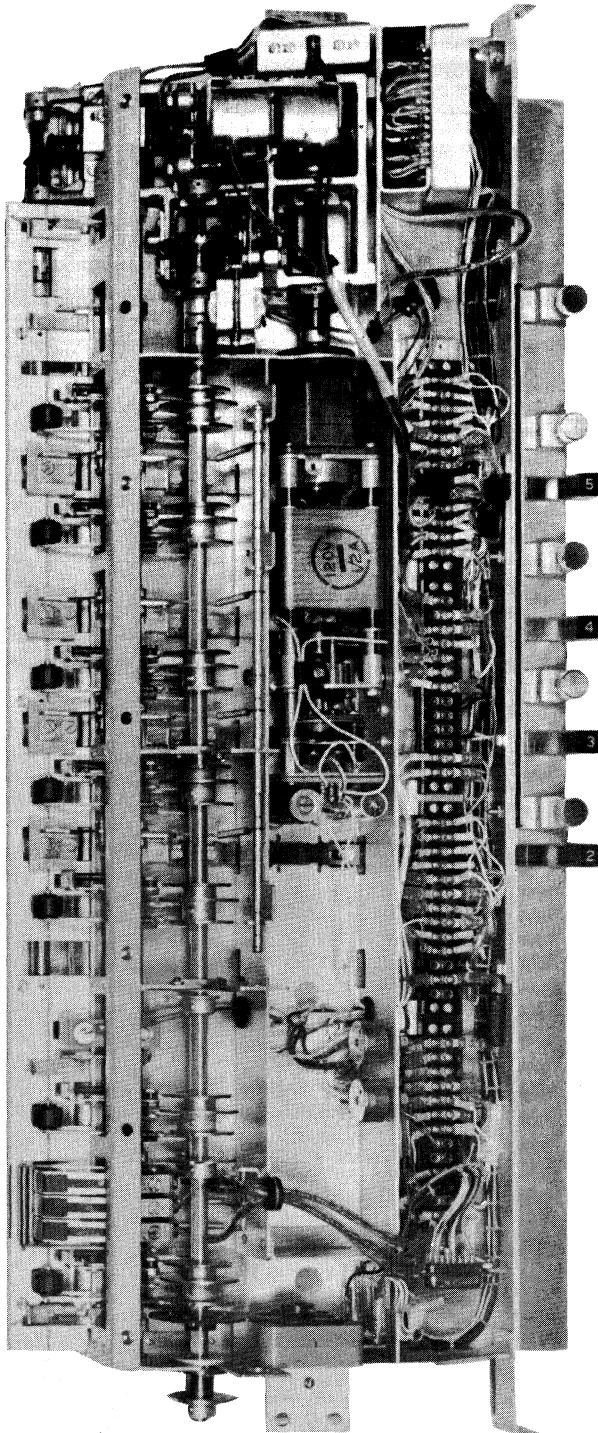
PROGRAM UNIT LATCH PLATE ASSEMBLY (PLATE II-22)



PART NUMBERS (PLATE II-22)

1328 2405	complete latch plate assembly, includes A thru AM, AQ	K	1339 1214	post, use 1337 8591 spacer, 1256 5263	Y	1027 1971	spring	
1522 2011	complete latch plate assembly, stripe ledger, includes A thru AM, AQ	L	1328 2579	actuating arm	Z	1256 7459	lockwasher	
A	1331 4026	lever button	M	1328 2561	rocker arm	AA	1340 6020	screw
B	1328 2413	actuating arm	N	1307 2715	screw	AB	1522 9164	spacer
	1522 1872	actuating arm, stripe ledger	O	1010 0469	nut, use 1057 3665 washer	AC	1010 0238	clip
C	1255 3152	clip	P	1027 7770	spring	AD	1026 6476	spring anchor
D	1028 8637	spring	Q	1328 2587	locking slide	AE	1034 6922	spring
E	1255 3129	clip	R	1340 2318	post, use 1337 8591 spacer, 1256 5263	AF	1256 0538	screw, use 1256 7715 washer, 1256 5727 nut
F	1328 2553	actuating arm	S	1026 6344	spring anchor	AG	1522 9180	shoulder screw
G	1522 9156	main plate	T	1026 3440	spring	AH	1328 2595	aligning comb
H	1328 2470	locking slide	U	-- --	included in X	AI	1328 2447	interlock arm
I	1340 2565	eccentric limit, use 1255 7591 screw	V	1341 2317	spring anchor	AJ	1255 3145	clip
J	1032 8201	spring	W	-- --	included in X	AK	1328 2462	interlock arm
			X	1328 2504	toggle jaw assembly, includes U, W	AL	1328 2439	restoring arm
						AM	1027 3415	spring
						AN	1256 0868	screw
						AO	1256 7442	lockwasher
						AP	1256 8028	washer
						AQ	1328 2892	link

PAPER HANDLER - CARRIAGE TRAY (PLATE II-23)



PART NUMBERS (PLATE II-23)

1526 8568 Complete tray for single striped ledger systems after serial F186194P. Before serial F186195P use 1526 8568 tray and resistor 1266 9495 at R2003 & R2004. Also reverse diodes CR2004 & CR2005.

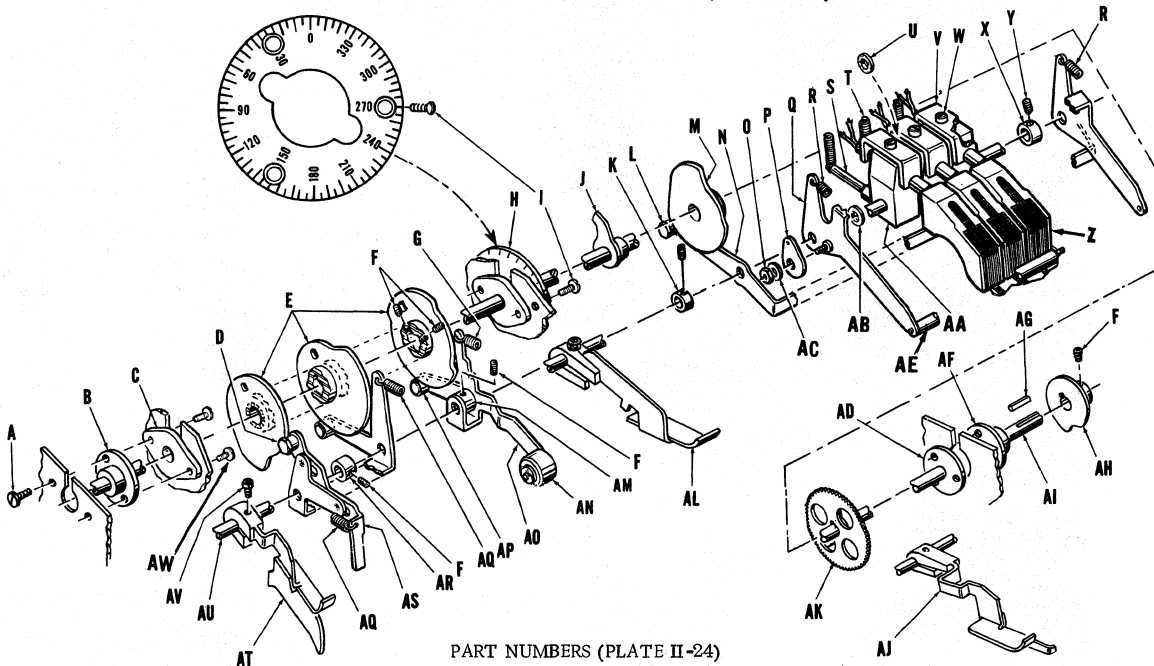
NOTE: For early carriage construction, also use new style carriage having variable forms selection control.

1526 8576 Complete tray for dual striped ledger systems after serial F186194P.

Before serial F186195P use 1526 8576 tray and resistor 1266 9495 at R2003 & R2004. Also reverse diodes CR2004 & CR2005.

NOTE: For early carriage construction, also use new style carriage having variable forms selection control.

PAPER HANDLER CAMSHAFT ASSEMBLY (PLATE II-24)

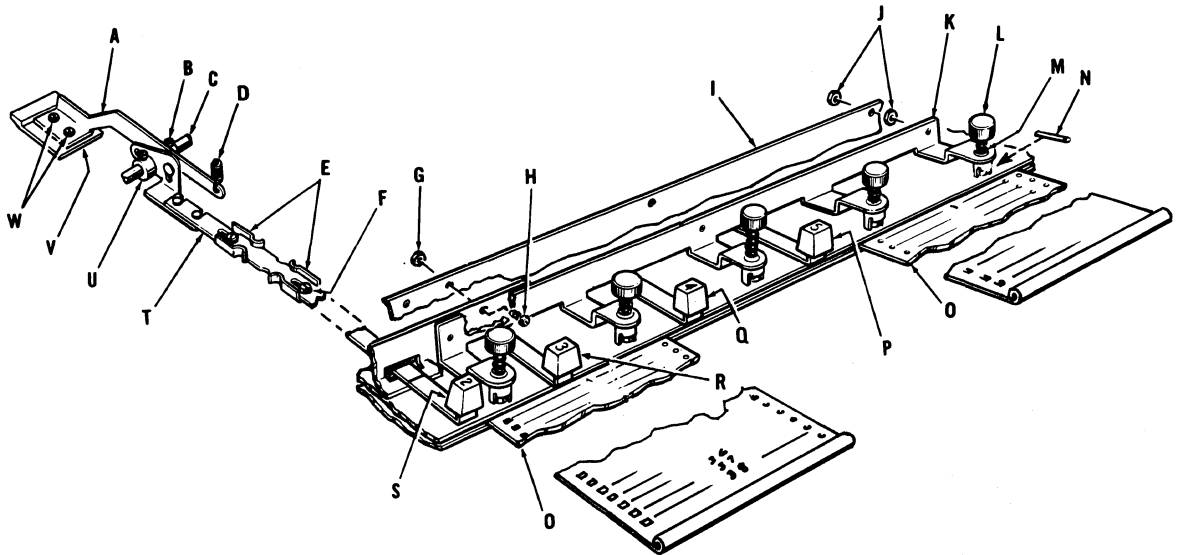


PART NUMBERS (PLATE II-24)

A	1256 0322	screw	1333 9189	key, 3" long
B	1522 3688	bearing	1333 9171	key, 2 13/16" long
C	1523 5518	bearing	AH	1526 4286 spacing cam
D	1340 1815	eccentric screw, use 1337 5589 roller,	AI	1522 3647 camshaft
		1010 0394 nut	AJ	1522 3985 right hand inner form guide, includes AV
E	1333 9106	cam assembly	AK	1522 9412 gear, use 1255 7724 screw
F	1255 7724	setscrew	AL	1522 3860 hold down form guide, includes AV
G	1340 9016	spring	AM	1522 3811 set collar
H	1334 1110	timing dial	AN	1326 8214 rubber roller, included in AO, use 1255
I	1035 0700	screw, use 1010 0378 nut		3129 clip
J	1333 9163	timing pointer, use 1255 7724 screw	AO	1523 5302 idler support assembly, includes AM, AN,
K	1342 7794	set collar, includes 1025 6162 screw		AP. Used at position 1 and 2 from right end
L	1340 1666	eccentric shoulder screw, included in N,		of shaft AU on carriage with stripe ledger
		use 1337 5589 roller, 1256 8002 washer,		selection knob. Use at all positions for carriage
		1256 5206 nut		without stripe ledger selection knob.
M	1333 9130	cam, use 1255 7724 screw		idler support assembly, includes AM, AN,
N	1522 5352	bail		AP. Used at position 3 thru 7 from right end
	1523 5294	read head bail assembly, includes L		of shaft AU on carriage with stripe ledger
	1256 5206	nut		selection knob
O	1523 3281	eccentric limit	AP	-- -- included in AO
P	1523 3257	read head pressure roll assembly, includes AE	AQ	1013 9350 spring, use 1026 6351 spring anchor
Q	1341 0311	spring	AR	1337 9482 set collar
R	1522 5329	spring post	AS	1523 5310 pusher assembly, includes D. Used at position
S	1027 3076	spring, use 1026 6351 spring anchor		1 and 2 from right end of shaft AU on
T	1337 1547	spacer		carriage with stripe ledger selection knob.
U	1522 5832	locking blank		Use at all positions for carriage without
V	1256 0686	screw		stripe ledger selection knob
W	1337 9656	set collar		1523 4354 pusher assembly, includes D. Used at position
X	1255 7526	setscrew		3 thru 7 from right end of shaft AU on
Y	1522 8653	read head		carriage with stripe ledger selection knob
Z	1522 8653	read head		1523 3944 left hand form guide, for 19" forms, includes
AA	1522 5311	mounting block	AT	AV
AB	1337 1356	shim, .010"		1522 3969 left hand form guide, for 16 1/2" forms, in-
AC	1320 8236	washer		cludes AV
AD	1522 3639	adapter ring		AU
AE	1523 3265	shaft, included in Q		1522 3852 idler shaft
AF	1522 3670	bearing, use 1256 0330 screw		AV
AG	1333 9197	key, 13/32" long		1256 2112 screw, included in AJ, AK, AT
				AW
				1256 0330 screw, use 1256 5206 nut

## Carriage and Program Unit

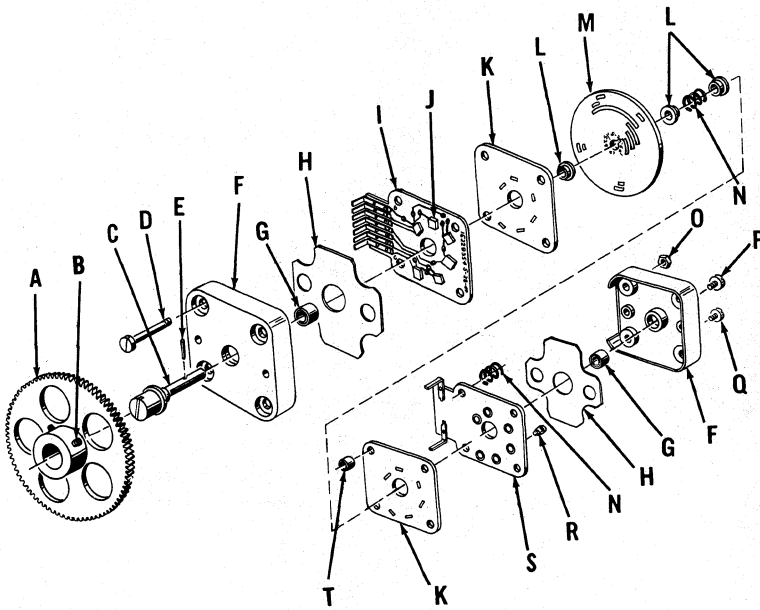
## PAPER HANDLER FORM GUIDE ASSEMBLY (PLATE II-25)



## PART NUMBERS (PLATE II-25)

A	1523 0949	retractable form guide arm
	1523 5328	retractable form guide assembly, includes D, V, W
B	1025 6162	setscrew, included in U
C	1522 3852	idler shaft
D	1340 8893	spring, included in A
E	1523 1046	detent spring
F	1523 1020	shoulder screw, use 1337 1364 washer
G	1256 5230	nut
H	1256 0686	screw
I	1523 1079	support strip
J	1010 0378	nut
K	1523 1095	pin bracket assembly, includes L, M, N
L	1523 1129	form limit lock button
M	1024 6817	spring
N	1017 6667	spring pin
O	1523 1152	form limit
P	1312 9788	key button
Q	1312 9770	key button
R	1312 9762	key button
S	1312 9754	key button
T	1523 1012	actuating slide
U	1342 7794	set collar, includes B
V	1523 0956	form guide support, included in A
W	1340 3654	screw, included in A

BEAM OF LIGHT TIMING CAM ASSEMBLY (PLATE II-26)

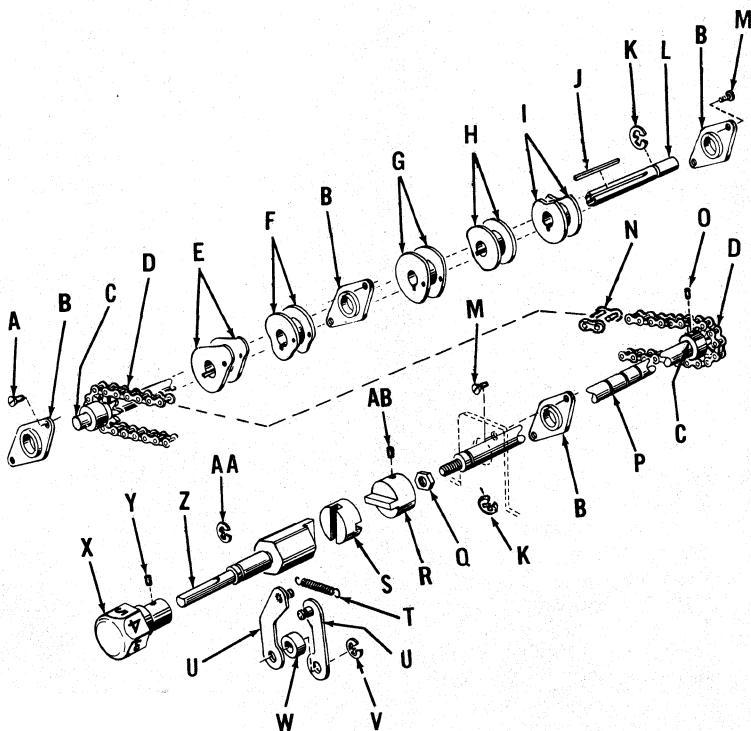


PART NUMBERS (PLATE II-26)

	1522 9503	complete assembly
A	1522 9412	gear assembly
B	1255 7724	setscrew
C	1522 9446	shaft
D	1522 9420	screw
E	1024 8219	dowel pin
F	1522 9388	housing
G	1338 0092	bearing
H	1522 9396	insulator
I	1522 9354	printed circuit board assembly, includes J
J	-- --	included in I
K	1522 9479	aperture plate
L	1523 5260	shoulder collar
M	1522 9347	timing disk
N	1011 3124	compression spring
O	1010 0378	nut
P	1340 5279	screw
Q	1340 3308	screw
R	1522 9461	lamp, included in S
S	1522 9362	printed circuit board assembly, includes R
T	1522 9438	spacer

VARIABLE FORMS SELECTION SHAFT (PLATE II-27)

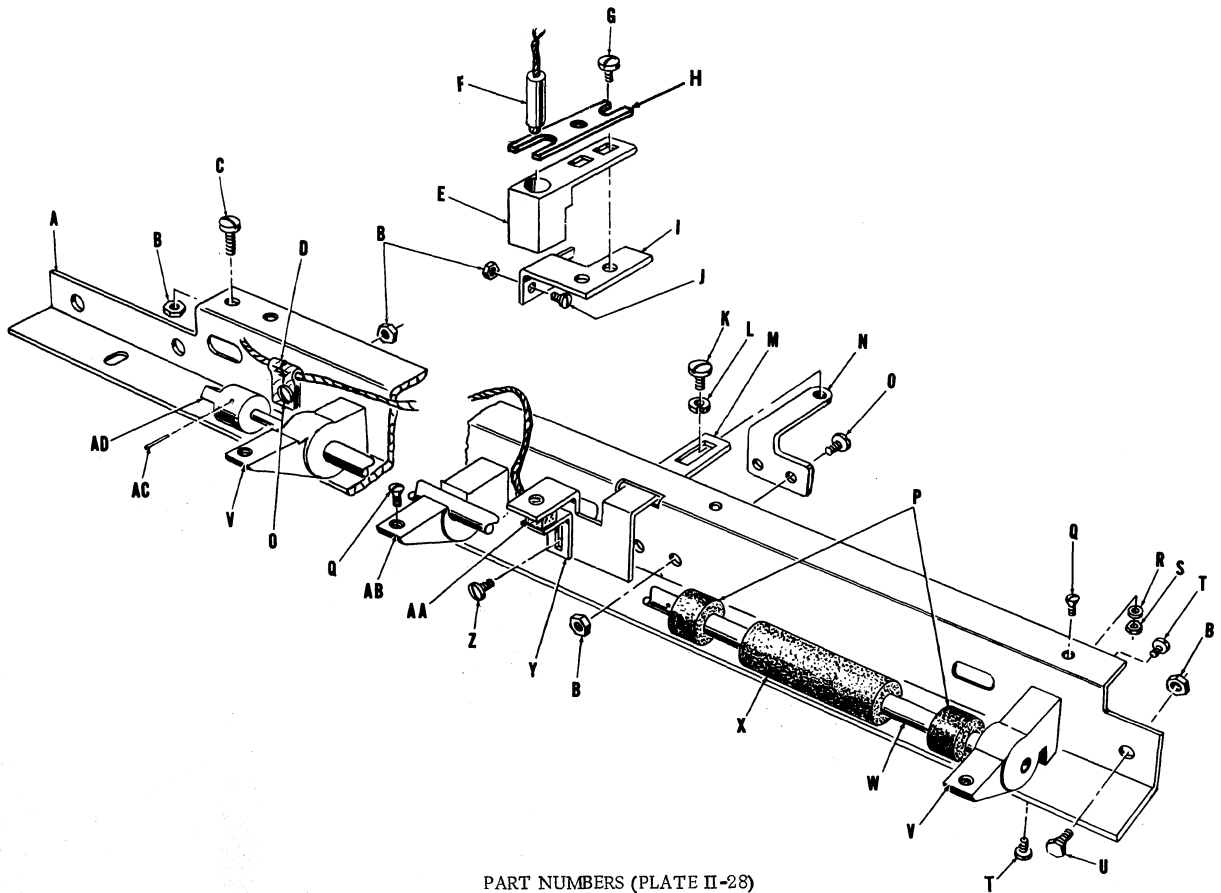
PART NUMBERS (PLATE II-27)



A	1340 5980	screw
B	1523 4313	flanged bushing
C	1523 4321	sprocket
D	1523 4339	chain
E	1523 4297	cam, use 1333 9171 key
F	1523 4271	cam, use 1333 9171 key
G	1523 4255	cam, use 1314 3540 key
H	1523 4230	cam, use 1333 9189 key
I	1523 4214	cam, use 1314 3540 key
J	1314 3540	key
K	1255 3160	clip
L	1523 4305	disabling shaft
M	1256 0322	screw
N	1508 2316	chain link kit
O	1255 7724	setscrew
P	1523 4347	disabling shaft
Q	1256 5776	nut
R	1334 1474	coupler
S	1334 1482	drive coupler
T	1028 8892	spring
U	1523 4446	detent
V	1255 3145	clip
W	1337 5134	spacer
X	1523 4438	knob
Y	1255 7807	setscrew
Z	1523 4420	detent shaft
AA	1255 3152	clip
AB	1255 7617	setscrew

## Carriage and Program Unit

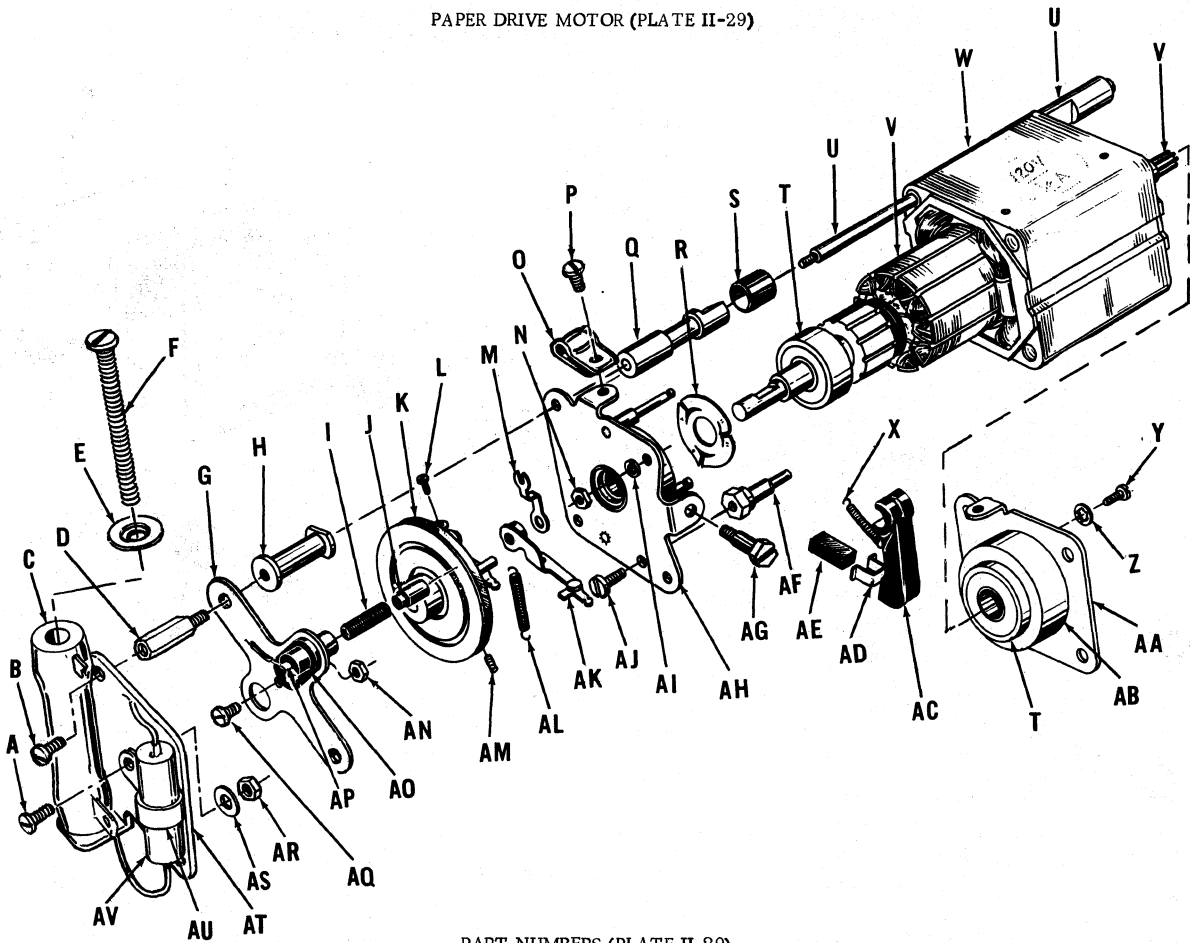
## PAPER HANDLER ASSEMBLY - LOWER PAN SUB-ASSEMBLY (PLATE II-28)



## PART NUMBERS (PLATE II-28)

A	1522 4066	front beam	Q	1255 4119	screw
B	1256 5206	nut	R	1256 7996	washer
C	1256 0363	screw	S	1256 5198	nut
D	1340 6475	clamp	T	1256 0322	screw
E	1527 0606	lamp holder	U	1340 3704	screw
F	1522 3233	lamp assembly	V	1522 4116	end bearing
G	1340 5303	screw	W	1522 4082	drive shaft, includes P, X, AC, AD
H	1527 0598	lamp retainer	X	-- --	included in W
I	1522 3217	bracket	Y	1522 4033	bracket
J	1340 3654	screw	Z	1303 1315	screw
K	1340 3845	screw	AA	1522 4058	solar cell, includes leads
L	1256 7434	lockwasher	AB	1522 4108	middle bearing
M	1522 4025	bracket	AC	1256 8721	pin, included in W
N	1522 4140	bracket	AD	-- --	included in W
O	1256 0330	screw			
P	-- --	included in W			

PAPER DRIVE MOTOR (PLATE II-29)



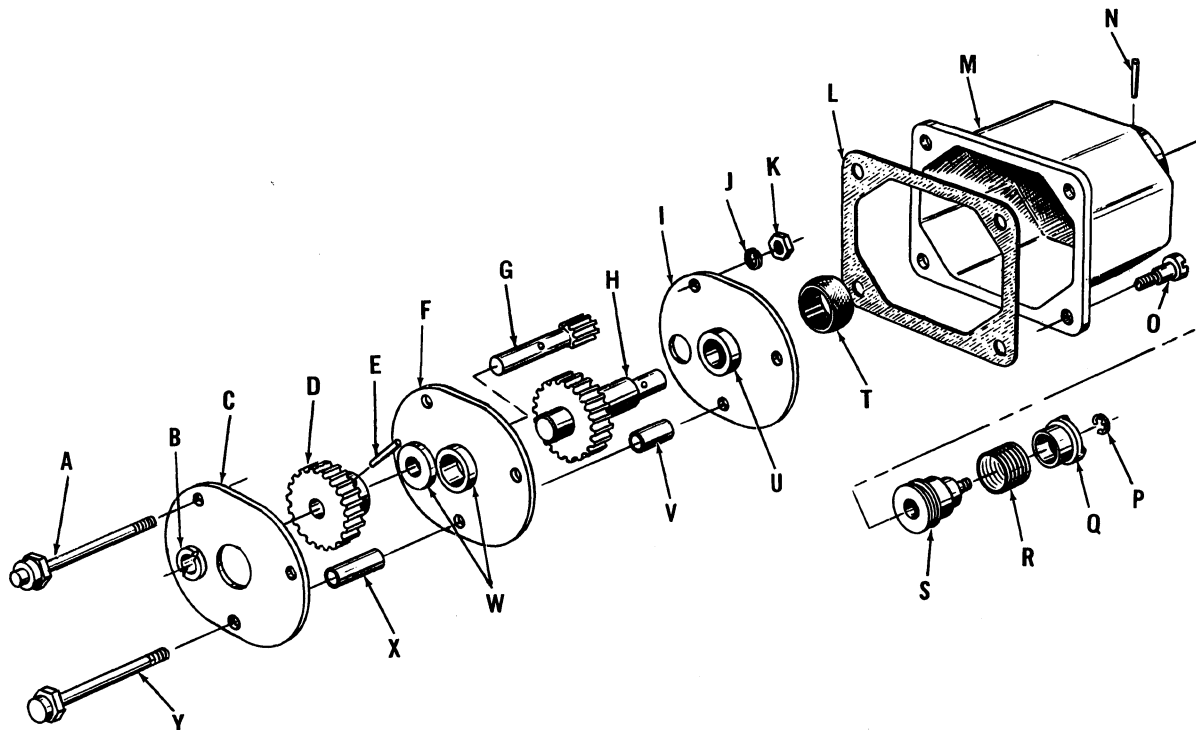
PART NUMBERS (PLATE II-29)

1522 4280	complete motor without reduction gear assembly	N	1256 5206	nut	AD	1341 0717	clip, included in AC
1522 8562	complete motor and reduction gear assembly	O	1340 6475	clamp	AE	1333 8793	commutator brush
A	1256 0702	P	1256 0348	screw	AF	1341 2499	terminal post
B	1256 0322	Q	1337 5381	spacer	AG	1340 4330	screw, use 1340 4231 screw, 1256 8028 washer on opposite side
C	1341 3737	R	1337 2198	thrust spring	AH	1333 8769	bearing plate
D	1522 3720	S	1028 7555	plastic tubing	AI	1256 7426	lockwasher
E	1323 8886	T	-- --	included in V	AJ	1256 0322	screw
F	1256 0983	U	1333 8736	tie rod	AK	-- --	included in K
G	1333 9593	V	1333 8694	armature assembly, includes T	AL	1027 1963	spring, included in K
H	1333 9585	W	1334 0260	field lamination assembly	AM	1303 1836	setscrew, included in K
I	1018 0602	X	1340 9388	spring	AN	1010 0378	nut
J	1031 0084	Y	1256 0330	brush, included in AA	AO	1334 2472	brush holder
	1031 0092	Z	1256 7707	lockwasher, included in AA	AP	1031 0258	terminal post
K	1334 2480	AA	1333 8751	bearing plate, includes Y, Z, AB	AQ	1025 9554	screw
L	1034 4695	AB	1333 9601	bearing housing, included in AA	AR	1256 5230	nut
M	-- --	AC	1333 8819	brush holder, includes AD	AS	1256 8002	washer
					AT	1522 3696	mounting bracket
					AU	1024 7708	clamp
					AV	1030 5407	capacitor



Carriage and Program Unit

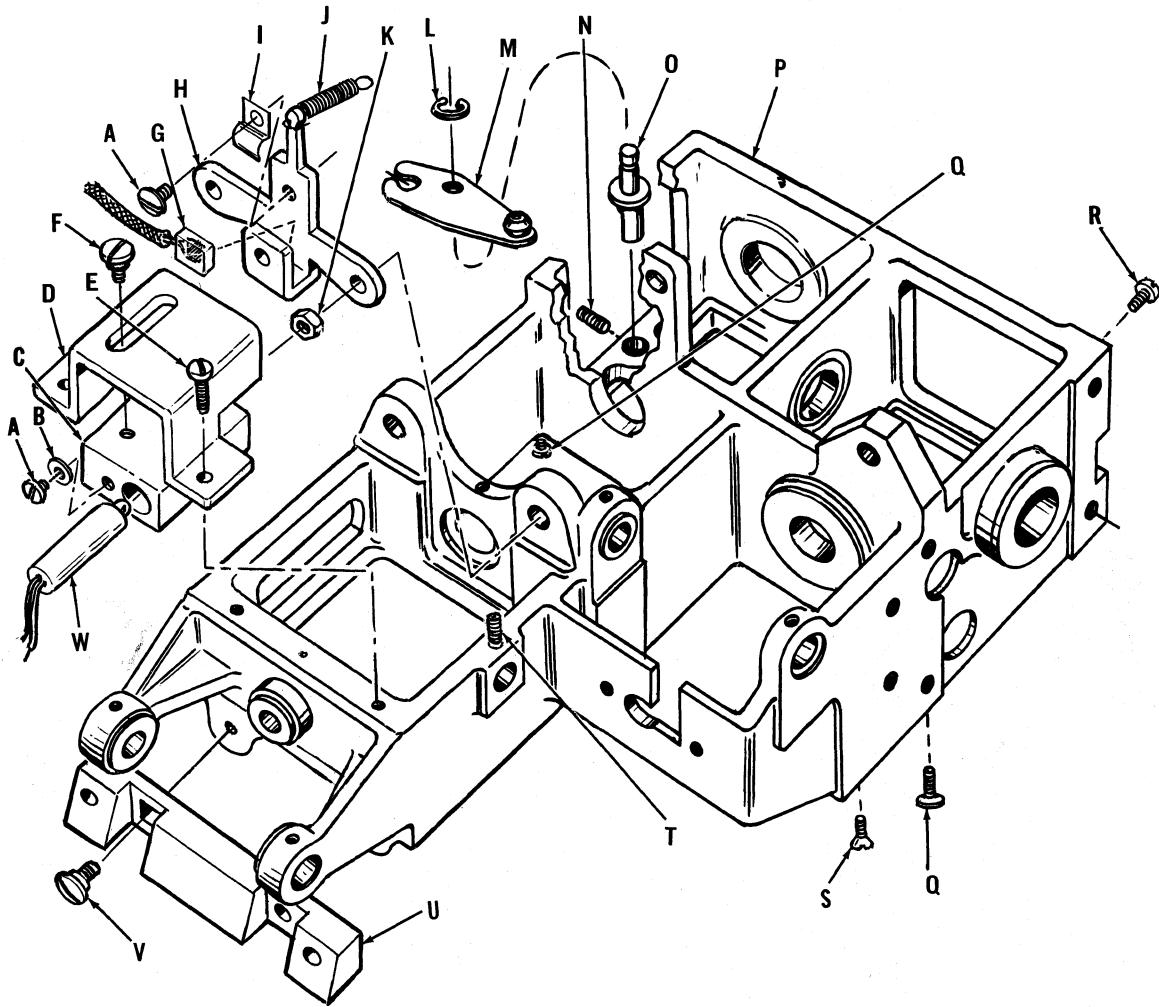
PAPER DRIVE MOTOR REDUCTION GEAR ASSEMBLY (PLATE II-30)



PART NUMBERS (PLATE II-30)

	1333 8892	complete assembled reduction gear box	J	1256 7426	lockwasher
A	1333 9643	threaded post	K	1308 1005	nut
B	-- --	included in C	L	1333 8942	gasket
C	1333 8835	separator plate, includes B	M	1333 8959	cover
D	1333 8876	gear assembly, includes E, G	N	1256 8754	pin, included in H
E	1256 8721	pin, included in D	O	1340 3332	mounting screw
F	1333 8850	separator plate, includes W	P	1255 3103	clip
G	-- --	included in D	Q	1333 8934	clutch jaw
H	1333 8918	gear assembly, includes N, S	R	1340 9370	spring
I	1333 8827	separator plate, includes U	S	-- --	included in H
			T	1337 5050	neoprene bushing
			U	-- --	included in I
			V	1337 5043	space collar
			W	-- --	included in F
			X	1337 5035	space collar
			Y	1333 9635	threaded post

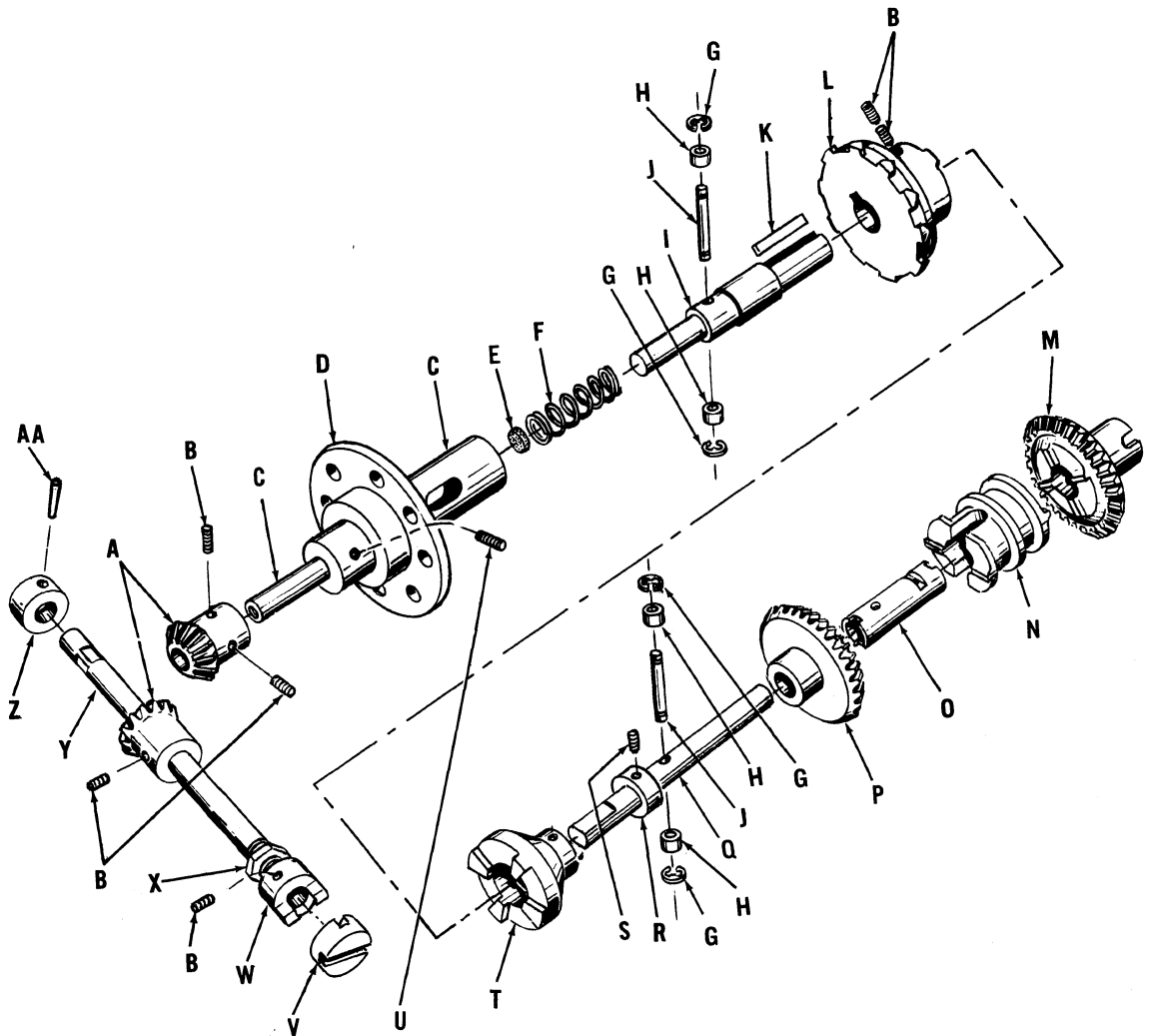
PAPER DRIVE UNIT - HOUSING ASSEMBLY (PLATE II-31)



PART NUMBERS (PLATE II-31)

1522 4728	complete paper drive gear box assembly	L	1255 3145	clip	
A	1256 0314	screw	M	1334 0021	reversing arm
B	1256 8002	washer	N	1255 7740	setscrew
C	1523 5187	lamp holding block	O	1338 8376	grooved post
D	1522 4595	plate	P	1522 4678	housing, includes bushings
E	1256 0330	screw	Q	1256 0322	screw
F	1340 3555	screw	R	1256 0330	screw
G	1522 4058	solar cells, includes leads	S	1255 4119	screw
H	1522 4579	bracket	T	1255 7708	setscrew
I	1522 4587	clamp	U	1522 4553	adaptor block
J	1443 0731	spring	V	1340 3712	screw
K	1256 5248	nut	W	1522 4710	light assembly

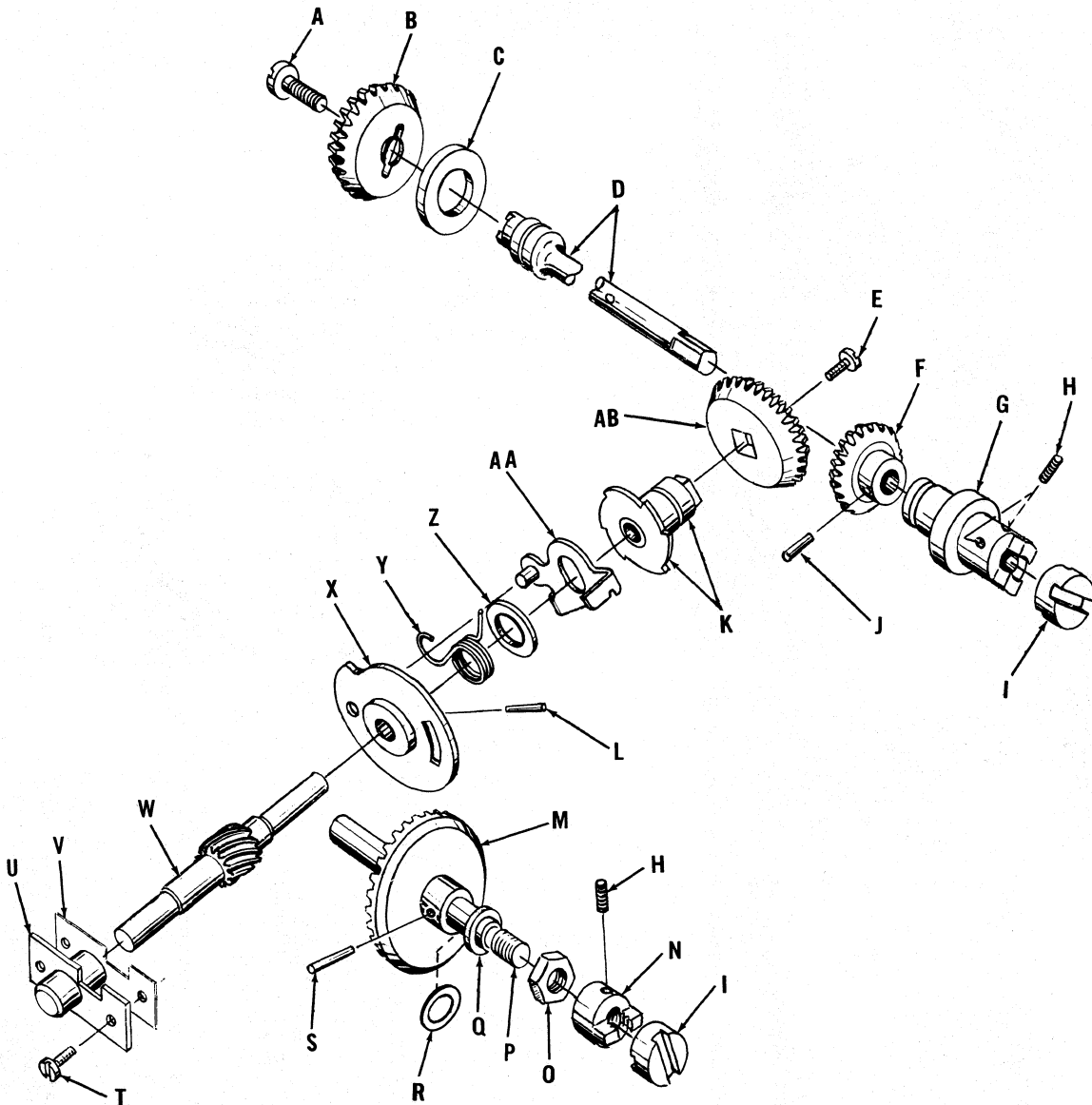
PAPER DRIVE UNIT - PRESSURE ROLL DRIVE SHAFT AND 1/10 SPACING CLUTCH ASSEMBLY (PLATE II-32)



PART NUMBERS (PLATE II-32)

A	1334 0286	bevel gear	O	1333 9858	slotted bushing
B	1255 7617	setscrew	P	1333 9825	bevel gear
C	1334 0187	clutch casing	Q	1333 9866	shaft
D	1522 4603	timing disk	R	1337 9656	set collar
E	1337 1463	felt pad	S	1255 7526	setscrew
F	1340 9438	compression spring	T	1522 4611	clutch driver, use
G	1255 3095	clip			1256 0447 screw
H	1337 5464	roller	U	1255 7690	setscrew
I	1522 4652	clutch shaft	V	1334 1482	coupler
J	1333 9809	grooved pin	W	1334 1474	drive coupler
K	1333 9213	key	X	1256 5776	brass hex nut
L	1522 4645	clutch assembly	Y	1522 4629	shaft assembly, in-
M	1333 9833	bevel gear			cludes Z, AA
N	1333 9874	reversing sleeve	Z	-- --	included in Y
			AA	1256 8739	pin, included in Y

PAPER DRIVE UNIT - PROGRAM CAM SHAFT DRIVE ASSEMBLY (PLATE II-33)

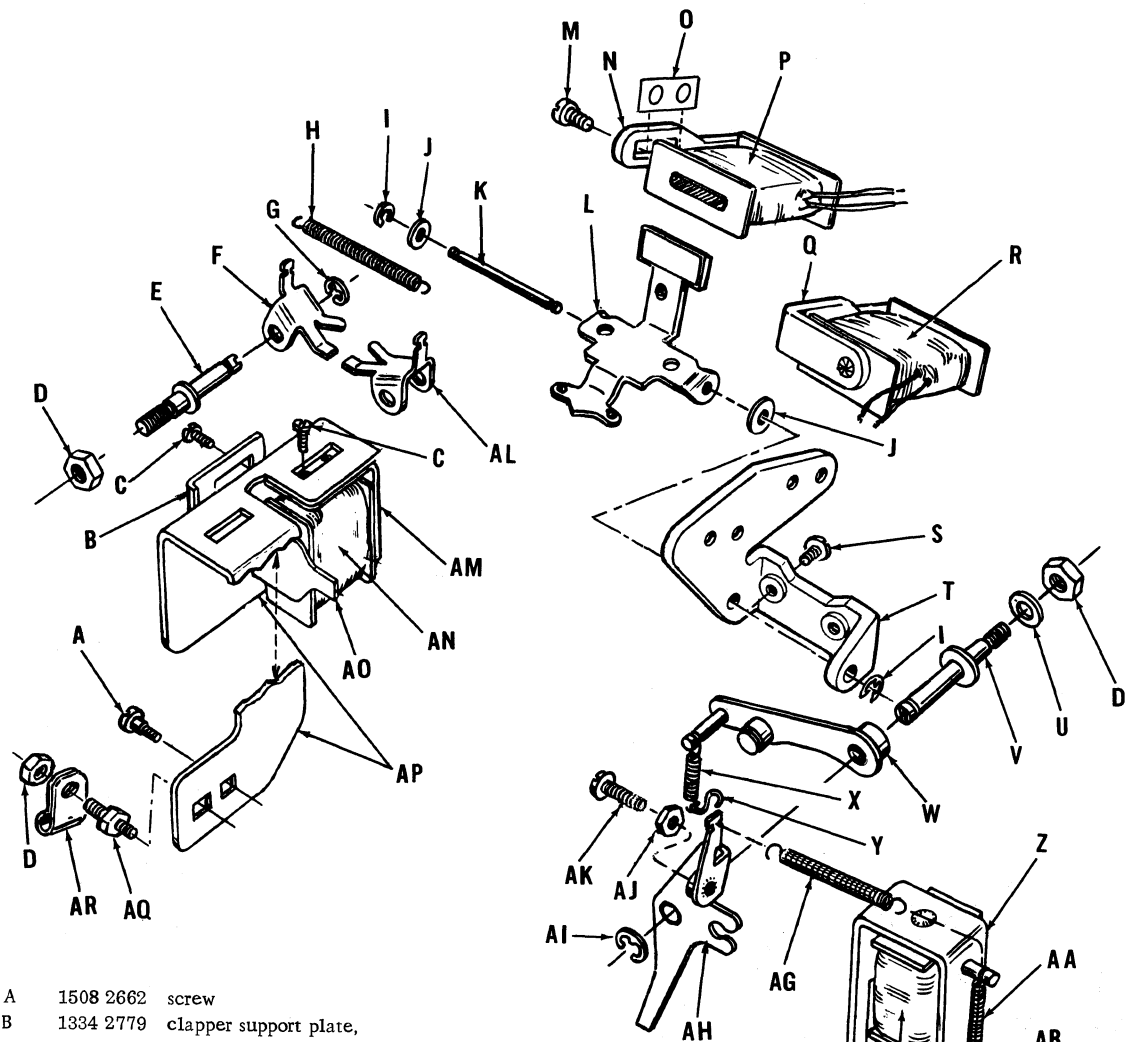


PART NUMBERS (PLATE II-33)

A	1256 1106	screw	K	1334 0336	clutch driver	T	1256 0330	screw
B	1333 9841	bevel gear	L	1300 1540	pin, included in W	U	1334 0047	bearing cap
C	1337 5514	spacer	M	-- --	included in P	V	1334 0062	shim, .005"
D	1333 9940	drive shaft, includes F, J	N	1334 1458	drive coupler		1334 0070	shim, .003"
E	1256 1080	screw	O	1338 7352	locknut	W	1334 0013	worm gear shaft, includes L, X
F	-- --	included in D	P	1334 0120	shaft assembly, includes M, S	X	-- --	included in W
G	1522 4660	coupling	Q	1337 5480	washer, .050"	Y	1340 9446	torsion spring
H	1255 7617	setscrew	R	1337 8765	bronze spacer, .005"	Z	1311 3980	spacer
I	1334 5475	coupler		1337 9128	bronze spacer, .003"	AA	1334 1409	clutch throw-out arm
J	1256 8804	pin, included in D	S	1010 0519	pin, included in P	AB	1334 0088	bevel gear

Carriage and Program Unit

PAPER DRIVE UNIT - SOLENOIDS AND MOUNTING HARDWARE (PLATE II-34)

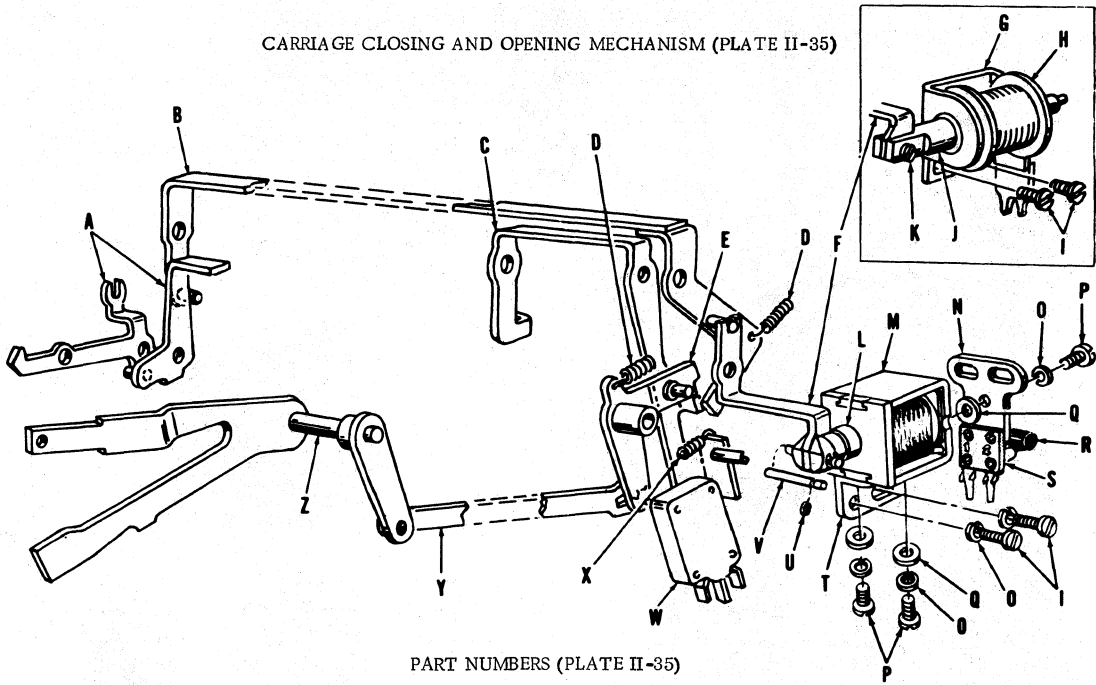


PART NUMBERS (PLATE II-34)

A	1508 2662	screw			
B	1334 2779	clapper support plate, included in AP			
C	1340 3845	screw, included in AP			
D	1256 5248	nut			
E	1340 1658	grooved screw post			
F	1334 0229	clutch pawl			
G	1255 3137	clip			
H	1343 0731	spring			
I	1255 3103	clip, included in T			
J	1337 1455	spacer, included in T			
K	1522 3795	shaft, included in T			
L	1522 3803	clapper, included in T			
M	1522 3738	screw, included in T			
N	1522 3761	solenoid assembly, includes P			
O	1522 3787	insulator, included in T			
P	-- --	included in N			
Q	1522 3761	solenoid assembly, includes R, included in T			
R	-- --	included in Q			
S	1340 5303	screw			
T	1522 3746 1522 4298	solenoid bracket dual solenoid and bracket assembly, includes I thru M, O, Q			
U	1256 8010	washer			
V	1338 9176	grooved stud			
W	1334 1425	anti-backup arm			
X	1340 8943	spring			
Y	1026 6351	spring anchor			
Z	1334 0344	solenoid assembly, includes AE			
AA	1026 9769	spring			
AB	1333 9916	clapper			
AC	1323 9264	clamp			
AD	1340 3662	screw			
AE	-- --	included in Z			
AF	1340 3654	screw			
AG	1026 9363	spring			
AH	1334 0369	clutch throw-out release arm			
AI	1255 3145	clip			
AJ	1256 5701	nut			
AK	1256 0355	screw			
AL	1334 0211	clutch pawl			
AM	1523 3463	solenoid assembly, includes AN, in- cluded in AP			
AN	-- --	included in AM			
AO	1333 9924	clapper, included in AP			
AP	1334 2787 1523 5278	solenoid bracket reverse and return solenoid assembly, includes B, C, AM, AN, AO			
AQ	1339 6403	threaded post			
AR	1340 2896	clamp			

Carriage and Program Unit

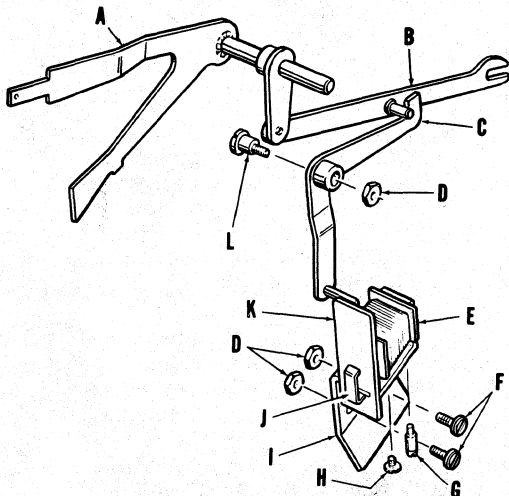
CARRIAGE CLOSING AND OPENING MECHANISM (PLATE II-35)



PART NUMBERS (PLATE II-35)

A	1522 5279	bail assembly	L	1310 0524	solenoid plunger	W	1341 1848	switch
B	1510 6982	camming bail	M	1340 7283	solenoid, includes leads	X	1340 9339	spring
C	1510 6990	switch bail		1523 7068	solenoid assembly, includes N thru S	Y	1522 6350	actuating link
D	1026 9769	spring	N	1511 7930	bracket, included in M, includes S	Z	1522 6384	carriage open and close shaft assembly, series E2100, E4000. Use 1522 6384 and 1522 6400 bracket on non-stripe ledger machines before serial F168057P
E	1510 6933	latching arm	O	1256 7459	lockwasher, included in M		1527 1851	carriage open and close shaft assembly, series E6000
F	1510 6941	solenoid arm	P	1256 1080	screw, included in M			
G	1510 4391	solenoid bracket, included in H	Q	1256 8028	washer, included in M			
H	1511 9118	electrical coil with leads	R	1340 2656	diode, included in M			
	1510 7675	complete solenoid assembly, includes G	S	-- --	included in M			
I	1018 0164	screw	T	1523 6938	bracket			
J	1510 4540	solenoid plunger	U	1255 3129	retaining clip			
K	1010 5674	screw, use 1256 7434 lockwasher, 1010 0386 nut	V	1321 3400	retaining shaft			

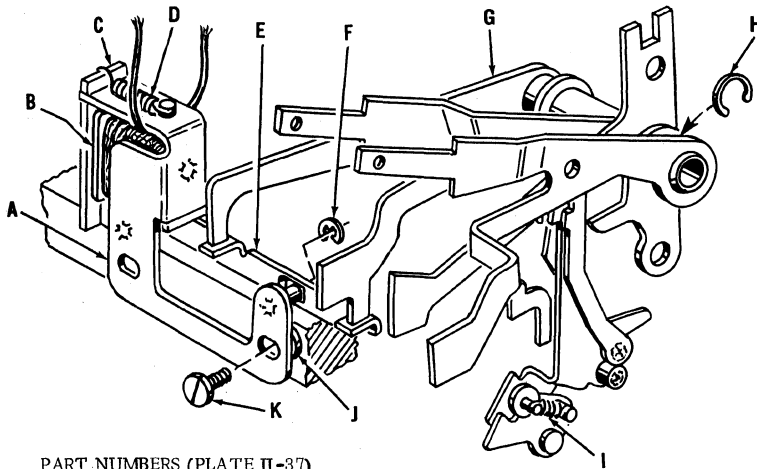
CARRIAGE OPEN AND CLOSE KEY INTERLOCK - STRIPE LEDGER (PLATE II-36)



PART NUMBERS (PLATE II-36)

A	1522 6384	carriage open and close shaft assembly
B	1522 6350	link
C	1522 6368	interlock arm
D	1257 3887	nut
E	1340 8091	solenoid coil, included in I
F	1025 8689	screw
G	1028 8777	screw stud, included in I
H	1303 1372	screw, included in I
I	1522 6665	solenoid bracket, includes terminals
	1522 7242	complete solenoid assembly, includes E, G thru K
J	1326 3108	clapper retainer, included in I
K	1510 5992	clapper, included in I, use 1027 2946 spring
L	1522 6376	eccentric screw

DIRECTIONAL CONTROL KEYS AND INTERLOCK ASSEMBLY (PLATE II-37)



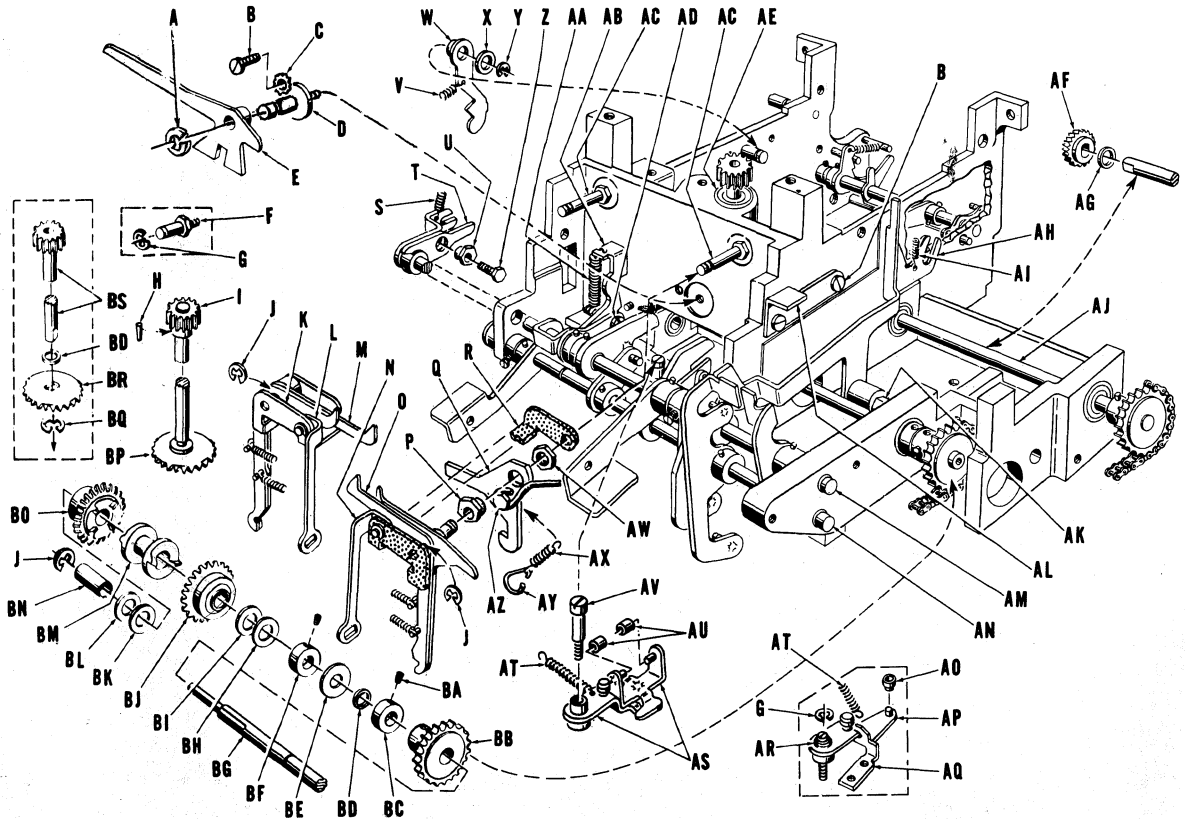
A	1326 3348	bracket
B	1340 8091	coil
C	1326 3421	clapper
D	1026 9306	spring
E	1511 7351	blocking slide, series E2100, E4000
	1527 1901	blocking slide, series E6000
F	1255 3129	clip
G	1510 8970	directional key assembly, series E2100, E4000, includes H
	1527 1836	directional key assembly, series E6000, includes H
H	1337 2370	clip, series E2100, E4000, included in G
	1255 3434	clip, series E6000, included in G
I	1304 2973	spring
J	1010 7969	washer
K	1010 9981	screw

PART NUMBERS (PLATE II-37)

1522 9123 carriage directional keyblock solenoid assembly, series E2100, E4000, includes A thru F

1527 1919 carriage directional keyblock solenoid assembly, series E6000, includes A thru F

CARRIAGE DRIVE UNIT (PLATE II-38)



PART NUMBERS ON NEXT PAGE

Carriage and Program Unit

PART NUMBERS (PLATE II-38)

1527 3378 complete carriage drive unit and escape-ment assembly for machines with CONTINUOUS FORM FEED and P and PA	A	1255 3152	retaining clip	AS	1523 8751	shift arm assembly
	B	1256 0850	screw	AT	1026 9785	spring
	C	1196 7858	lockwasher	AU	1523 8520	roller
	D	1527 3006	flanged post	AV	1523 8512	screw, use 1256 5248 nut
	E	1510 5349	lever	AW	1523 9270	nut
	F	1510 4987	post	AX	1027 2839	spring
	G	1255 3152	retaining clip	AY	1026 6252	spring anchor
	H	1338 8244	pin, included in I	AZ	1523 9239	shoulder screw
	I	1523 8454	gear shaft assembly, includes H, BP	BA	1255 7807	setscrew
	J	1255 3145	retaining clip	BB	-- --	included in BG
	K	1510 5315	bellcrank	BC	1010 3893	set collar
	L	1510 5331	link, use 1255 3129 clip	BD	1510 8004	spacer
	M	1510 5760	latch assembly	BE	1010 6615	spacer
	N	1510 5323	link, use 1255 3129 clip	BF	1026 1220	set collar
	O	1510 5752	latch assembly	BG	1522 9107	shaft, includes BB
	P	1523 9262	eccentric bushing	BH	1511 6981	spacer (.003") as req.
	Q	1523 9247	latch	BI	1511 6999	spacer (.005") as req.
	R	1510 5307	bellcrank	BJ	1523 8561	return gear
	S	1026 4240	spring		1526 8170	return gear, for shifting arm AP construction
	T	1510 5661	arm	BK	1337 1117	spacer (.003") as req.
U	1026 3945	eccentric	BL	1337 1778	spacer (.006") as req.	
V	1027 7424	spring	BM	1523 8488	shuttle	
W	1510 5562	latch		1522 9115	shuttle, for shifting arm AP construction	
X	1010 4446	washer			arm AP construction sleeve	
Y	1255 3392	retaining clip	BN	1523 8504	sleeve	
Z	1510 5927	screw	BO	1523 8595	tab gear	
AA	1044 3158	spring		1526 8238	tab gear, for shifting arm AP construction.	
AB	1510 5398	bellcrank			Replacement of tab gear 1526 8238 requires the use of return gear 1526 8170, sleeve 1523 8504 and 1337 1117 and 1337 1778 spacers	
AC	1510 4995	post				
AD	1256 0728	screw, use 1523 1269 eccentric				
AE	1344 5630	bearing				
AF	1510 5224	gear				
AG	1510 5463	spacer				
AH	1510 5786	bellcrank				
AI	1011 3074	spring	BP	--- --	included in I	
AJ	1510 5802	shaft and gear assembly	BQ	1255 3160	retaining clip	
AK	1510 5901	post, use 1255 3152 clip	BR	1510 5208	gear	
AL	1510 5026	bracket	BS	1510 5216	shaft and gear assembly	
AM	1510 5638	return shaft assembly				
AN	1510 5588	tab shaft assembly				
AO	1510 5380	cam block				
AP	1510 5356	shift arm				
AQ	1510 5414	guide, use 1256 0843 (front screw), 1010 4313 (rear screw)				
AR	1510 5018	post, use 1337 1117 spacer, 1256 5248 nut				

Machines without CONTINUOUS FORM FEED and P & PA require items No. 1, 2, 3 and 4

Machines with P & PA but without CONTINUOUS FORM FEED require items No. 1 and 3

Machines with CONTINUOUS FORM FEED but without P & PA require items No. 2 and 4

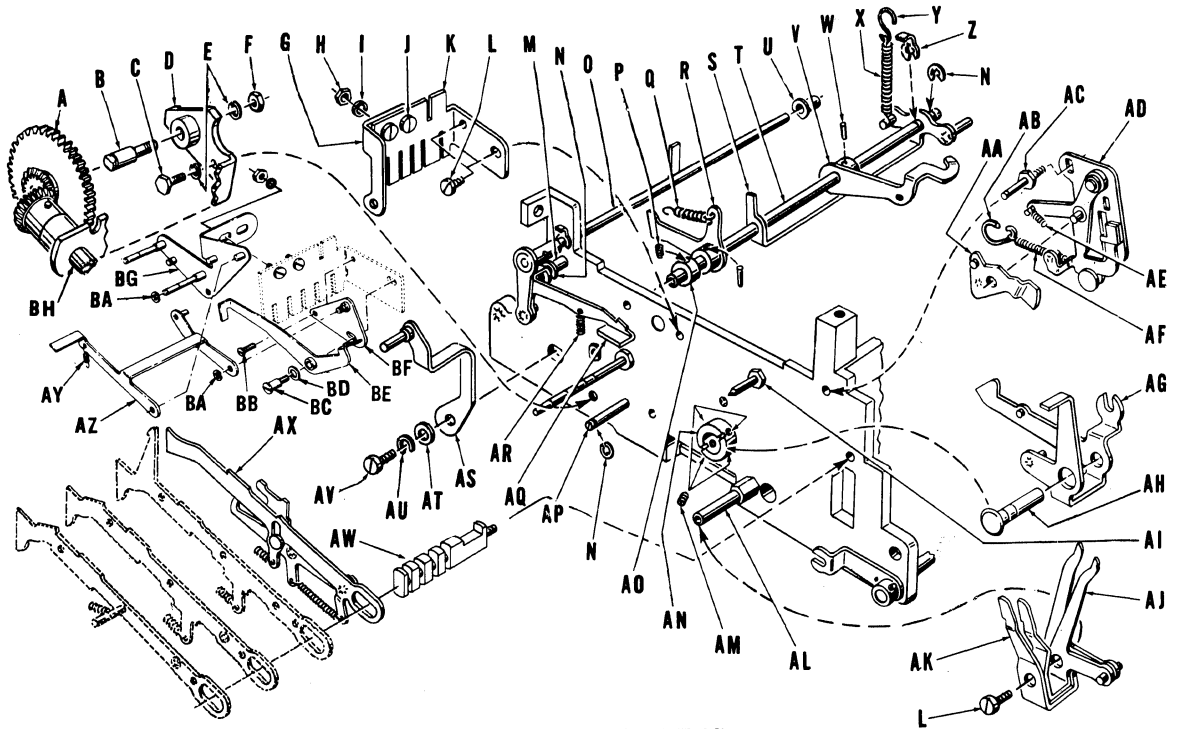
- Remove:
- parts AY thru BG (see PLATE-CARRIAGE DRIVE UNIT-RIGHT SIDE)
  - parts G, V, W, X (see PLATE - CARRIAGE DRIVE UNIT TOP PLATE) dated

- Install:
- screws L and support G from replaced carriage drive unit (see (PLATE - CARRIAGE DRIVE UNIT - RIGHT SIDE)
  - spring G, part No. 1027 6392, from replaced carriage drive unit (see PLATE-CARRIAGE DRIVE UNIT TOP PLATE)



## Carriage and Program Unit

## CARRIAGE DRIVE UNIT, RIGHT SIDE (PLATE II-39)

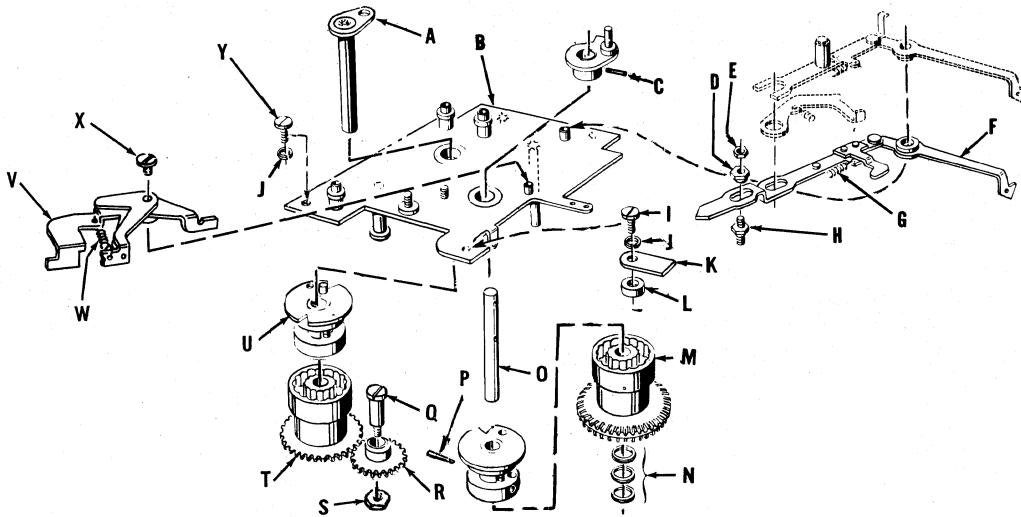


## PART NUMBERS (PLATE II-39)

A	1307 4596	gear	Y	1026 6344	spring anchor	AO	1337 9656	set collar
B	1511 3376	post	Z	1010 0238	retaining clip	AP	1510 5109	post
C	1300 8065	screw	AA	1511 9985	latch, .532" radius	AQ	1307 4828	interlock
D	1510 4870	bracket		1511 9993	latch, .577" radius	AR	1028 7670	spring
E	1337 2222	lockwasher		1512 0009	latch, .602" radius	AS	1307 3721	bellcrank, included in T
F	1010 0402	nut	AB	1026 6252	spring anchor	AT	1010 9403	washer, included in T
G	1511 9142	support	AC	1510 5083	spring post	AU	1256 7426	lockwasher, included in T
H	1256 5248	nut	AD	1511 9977	tab latch assembly	AV	1027 7507	screw, included in T
I	1256 7442	lockwasher	AE	1027 6855	spring	AW	1512 0017	grooved post, use 1338 7360 nut
J	1256 0843	screw	AF	1028 8504	spring	AX	1510 8038	cge. open and close slide
K	1511 9134	guide comb	AG	1522 5279	bail	AY	1340 9339	spring
L	1010 8991	screw	AH	1307 6138	pivot pin	AZ	1527 2016	switch actuator
M	1510 5117	post	AI	1510 5091	post	BA	1255 3103	clip
N	1255 3152	retaining clip	AJ	1510 5711	yoked bellcrank	BB	1256 0686	screw
O	1307 3150	shaft	AK	1329 0036	yoked bellcrank	BC	1023 7980	shoulder screw
P	1255 7518	setscrew	AL	1523 8405	post, for casting having cleared hole, use 1344 5622 washer, 1256 5263 nut	BD	1011 1193	washer
Q	1014 7650	spring		1523 6409	repair post, for casting having threaded hole, use 1196 7858 washer, 1256 5248 nut	BE	1526 4450	bellcrank
R	-- --	included in T				BF	1526 5929	mounting plate
S	1510 8020	bail, included in T				BG	1527 1992	switch mounting plate
T	1510 8012	shaft assembly, includes R, S, V, W, Z, AS thru AV	AM	1255 7625	setscrew	BH	1510 4912	shaft and gear assembly
U	1510 5455	bushing	AN	1510 5141	standoff			
V	-- --	included in T						
W	1010 5625	pin, included in T						
X	1026 9363	spring						

Carriage and Program Unit

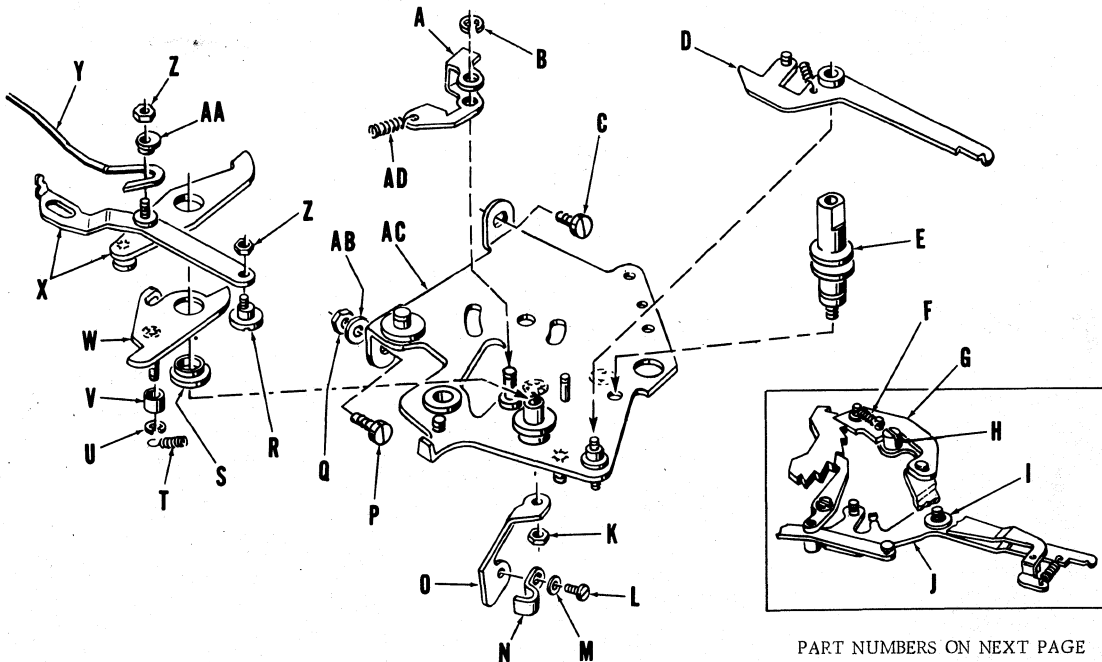
CARRIAGE DRIVE UNIT TOP PLATE (PLATE II-40)



PART NUMBERS (PLATE II-40)

A	1510 5539	shaft assembly, includes U	I	1256 0884	screw	Q	1523 5369	screw
B	1510 5240	top plate	J	1256 7442	lockwasher	R	1522 7101	gear.
C	1026 7185	pin	K	1510 5471	plate	S	1256 5248	nut
D	1044 2937	eccentric collar	L	1337 5134	spacer	T	1510 5885	gear and clutch assembly
E	1256 5198	nut	M	1510 5844	gear and clutch assembly	U	-- --	included in A
F	1510 5729	interlock slide	N	1510 5463	spacer, as required	V	1526 1837	switch actuator
G	1027 6392	spring	O	1510 5489	shaft assembly, includes C and P	W	1028 8629	spring
	1341 0246	spring, for P & PA	P	1307 5627	pin	X	1340 2938	screw
H	1510 5133	threaded post				Y	1256 0850	screw

CARRIAGE DRIVE UNIT - ESCAPEMENT UNIT (PLATE II-41)



PART NUMBERS ON NEXT PAGE

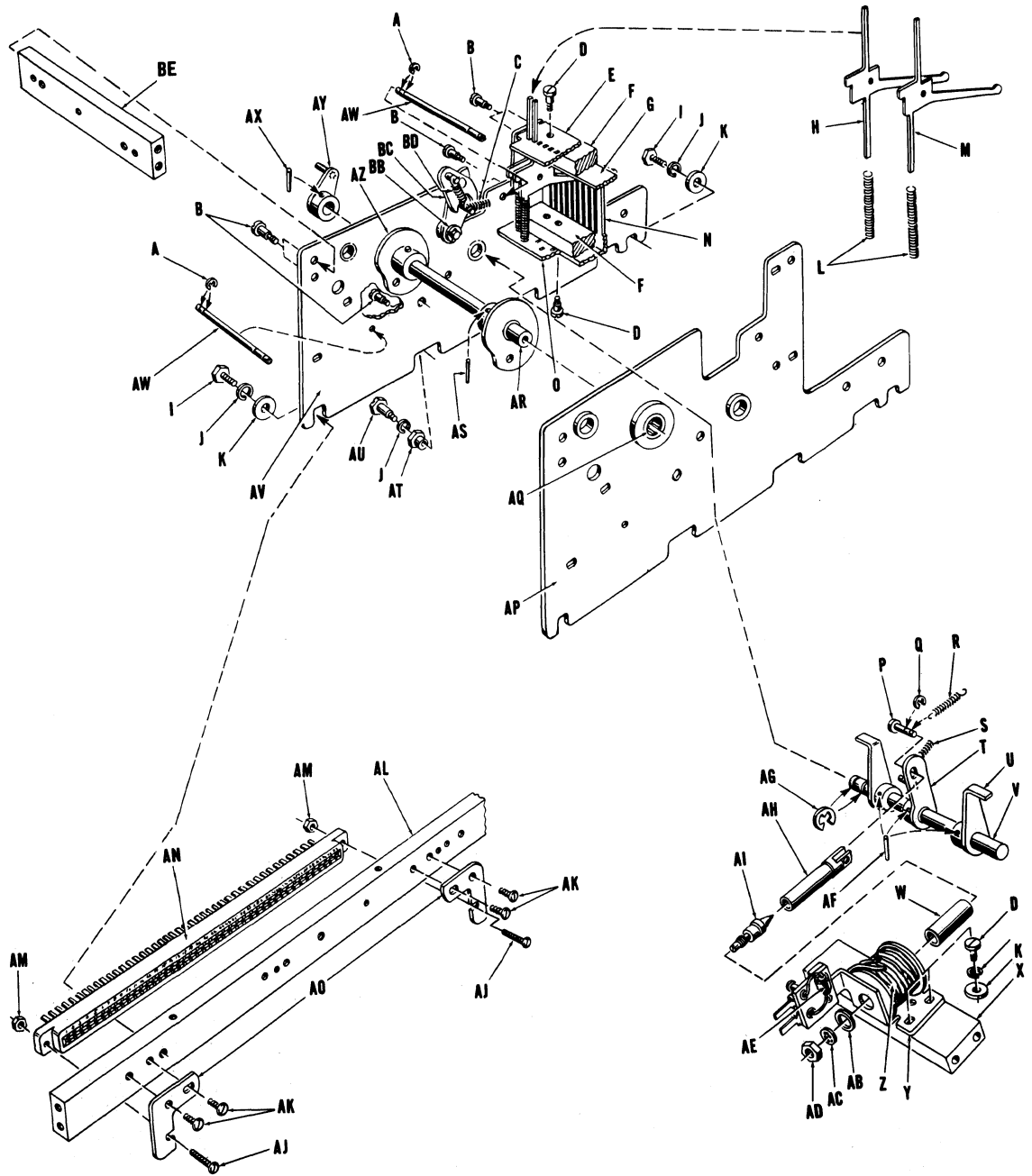
Carriage and Program Unit

## PART NUMBERS (PLATE II-41)

	1523 6276	escapement unit	M	1256 7442	lockwasher
		assembly with timing	N	1340 6525	cable clamp
		latch A construction	O	1510 5406	bracket
		after serial F158339P	P	1510 7568	screw
			Q	1010 0428	nut
	1511 1651	escapement unit	R	1523 6029	eccentric screw
		assembly without	S	1523 5997	spacer
		timing latch A con-	T	1026 9769	spring
		struction before	U	1255 3129	retaining clip
		serial F158400P	V	1522 5246	roller
A	1523 5898	timing latch	W	1523 5906	escapement latch
B	1255 3103	retaining clip	X	1523 6060	tabulate latch
C	1010 5401	screw	Y	1523 9254	wire link
D	1523 5989	cam arm	Z	1010 0378	nut
E	1510 5794	post	AA	1340 1427	eccentric bushing
F	1027 3423	spring	AB	1303 9904	spacer
G	1523 3208	pivot arm, use	AC	1523 5922	auxiliary top plate
		1255 3129 clip			for timing latch A,
H	1523 3182	eccentric screw, use			after serial F158339P
		1315 7995 washer,	-- --	-- --	Before serial F158400P,
		1256 7442 lockwasher,			use 1523 5922 top plate,
		1256 5248 nut			1523 5997 spacer for
I	1034 4604	washer			machines without
J	1523 4040	cam arm assembly			timing latch A
K	1010 0386	nut			
L	1256 0868	screw			

Control Lanes

ELECTRICAL SENSING UNIT TAPPET ASSEMBLY (PLATE III-1)



PART NUMBERS ON NEXT PAGE

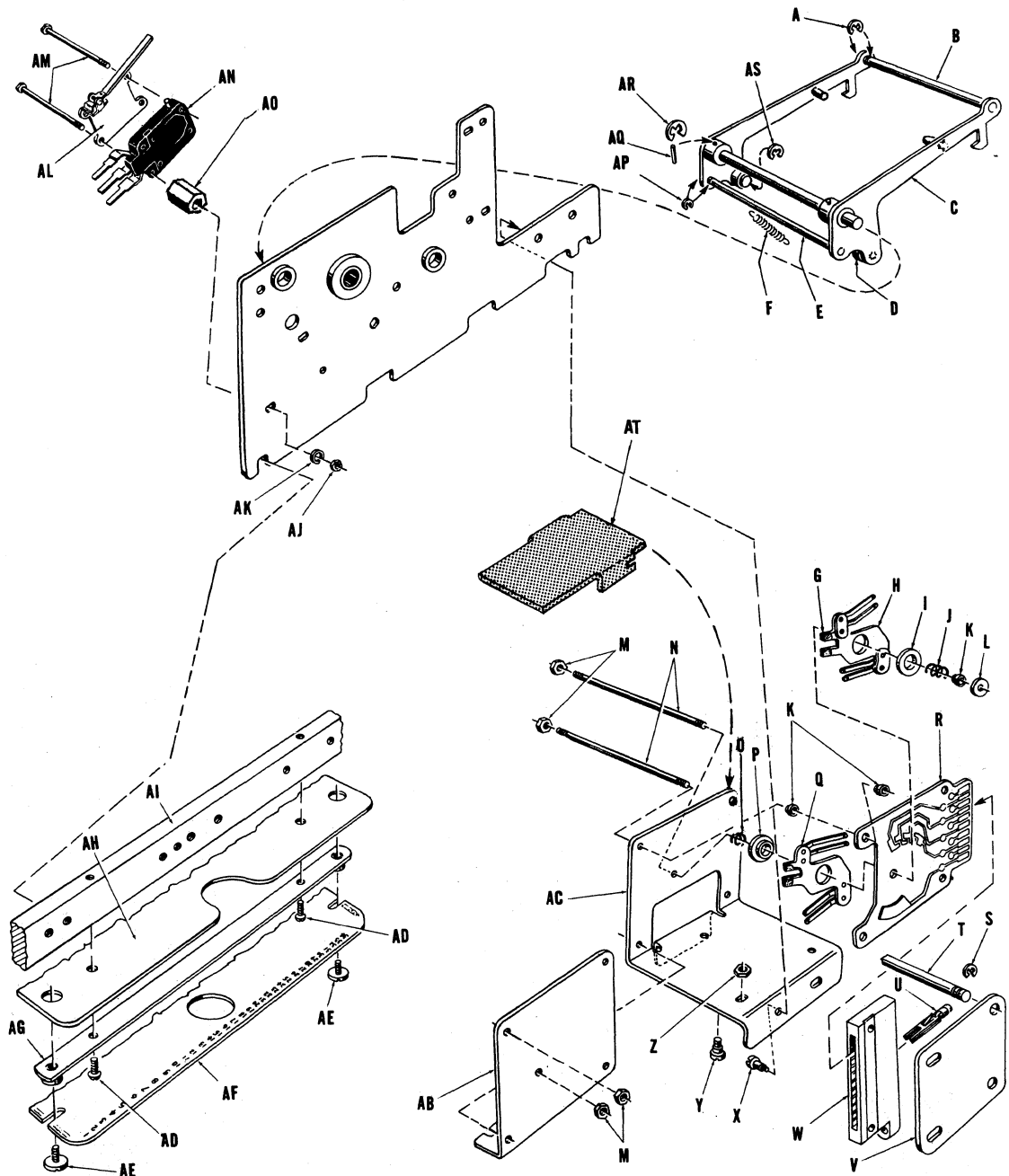
Control Lanes

PART NUMBERS (PLATE III-1)

1511 6155	complete electrical sensing unit - series E2100 without AEC	Y	1510 1496	solenoid bracket	AS	1010 0498	pin, included in AR
		Z	1326 1565	solenoid, white/red leads	AT	1026 0248	eccentric screw
1522 5410	complete electrical sensing unit - series E2100 with AEC		1511 9118	solenoid, blk/red leads	AU	1316 4967	screw
		AB	1028 7514	spacer	AV	1510 4649	front plate, all series E2100 and for series E4000 before serial F178209P, includes AQ
1523 3307	complete electrical sensing unit - series E2100 stripe ledger	AC	1010 4370	lockwasher			
		AD	1256 5289	nut		1526 8121	front plate, series E4000 after serial F178208P, includes AQ
1523 5476	complete electrical sensing unit - series E4000	AE	1340 2656	diode			
		AF	1010 0493	pin, included in V			
		AG	1255 3178	clip			
		AH	1510 4540	plunger	AW	1511 7245	shaft
A	1255 3129	AI	1326 1516	core	AX	1010 0493	pin, included in AR
B	1340 3878	AJ	1256 0728	screw	AY	-- --	included in AR
C	1027 3191	AK	1256 1098	screw	AZ	-- --	included in AR
D	1316 5089	AL	1510 8921	tie bar	BB	1255 3152	clip
E	1510 4607	AM	1256 5230	nut	BC	1522 9289	rebound latch, all series E2100 and for series E4000 before serial F178209P
F	1526 8071	AN	1339 0554	connector			
G	1511 0174	AO	1511 1438	bracket			
	1256 7442 lock-washer, 1256 0843 screw	AP	1510 4623	back plate, all series E2100 and for series E4000 before serial F178209P, includes AQ		1525 2380	rebound latch, series E4000 after serial F178208P
H	1511 6528					1526 8097	rebound latch (not shown), series E4000, mounted on back plate AP, after serial F178208P
I	1340 3142						
J	1256 7459		1526 8147	back plate, series E4000 after serial F178208P, includes AQ			
K	1256 8028						
L	1511 6502						
M	1511 6510						
N	1510 4615	AQ	1023 6735	needle bearing, included in AP, AV	BD	1027 3407	spring
O	1511 6536				BE	1525 2372	mounting bar
P	1510 4771	AR	1510 4789	camshaft, all series E2100 and for series E4000 before serial F178209P, includes AS, AX, AY, AZ			
Q	1255 3145						
R	1026 9769						
S	1027 6426						
T	-- --						
U	-- --		1526 8154	camshaft, series E4000 after serial F178208P, includes AS, AX, AY, AZ			
V	1510 4722						
	latching shaft, includes T, U, AF						
W	1511 6205						
X	1510 4565						

Control Lanes

ELECTRICAL SENSING UNIT LANE SWITCH ASSEMBLY (PLATE III-2)



PART NUMBERS ON NEXT PAGE

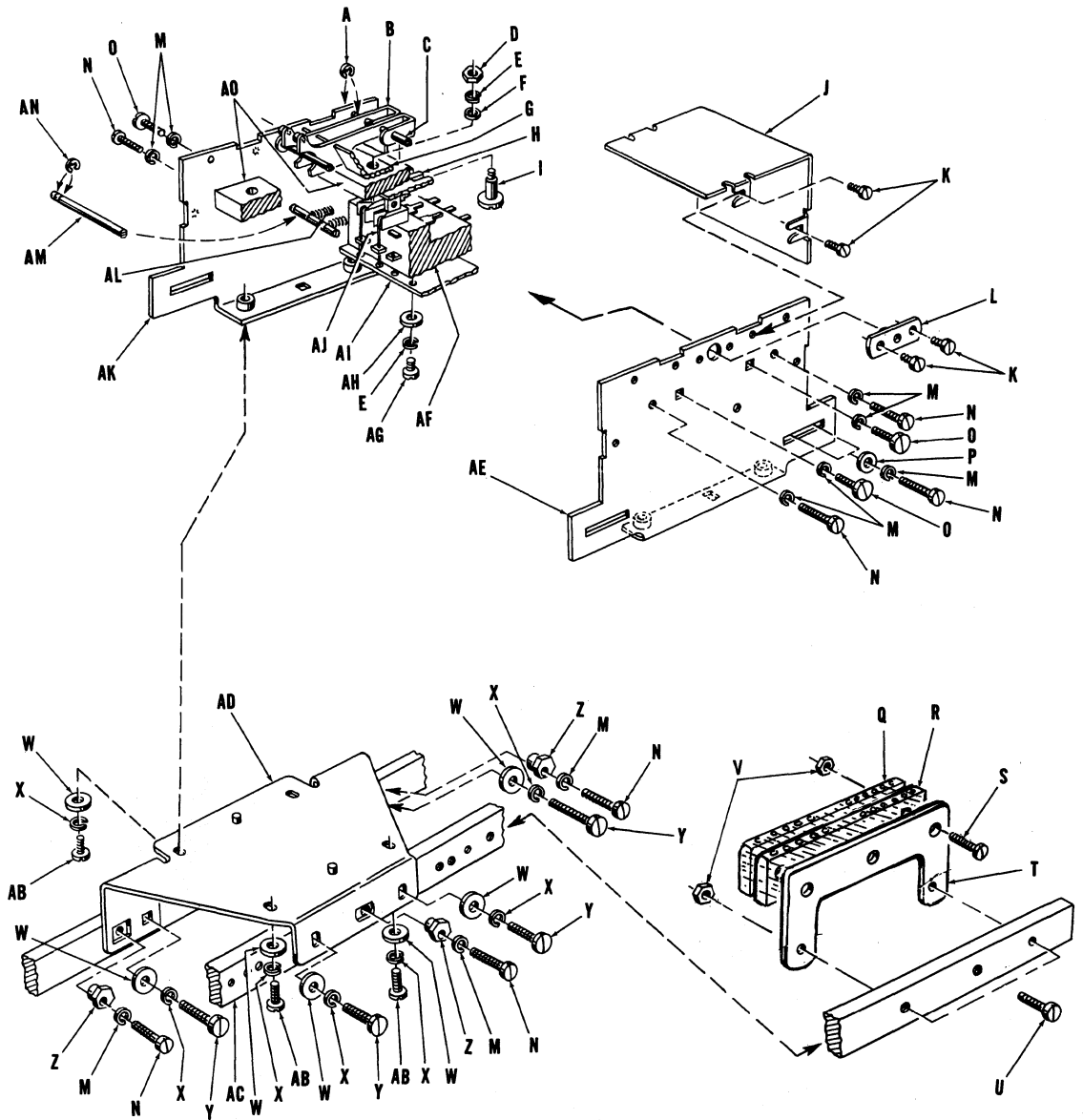
Control Lanes

## PART NUMBERS (PLATE III-2)

	1522 1112	complete printed circuit card assembly, includes G through R, Y, Z, AB, AC	Y	1321 6742	shoulder screw
			Z	1256 5248	nut
			AB	1510 8434	bracket
			AC	1510 8442	bracket
A	1255 3152	clip	AD	1256 0868	screw
B	1510 4763	shaft	AE	1340 4629	screw
C	1526 8105	tappet bail, includes AQ	AF	1511 9548	printed circuit card, series E2100 stripe ledger and all series E4000
D	1511 6494	roller		1526 8923	printed circuit card, series E6000
E	1510 4714	shaft		1511 9464	printed circuit card, series E2100 non-stripe ledger
F	1027 6830	spring			
G	1511 6544	insulator	AG	1511 1446	bracket
H	1510 8483	contact assembly	AH	1511 1420	insulating board
I	1510 8418	nylon spacer	AI	1510 8921	tie bar
J	1316 6749	compression spring	AJ	1010 0477	nut
K	1510 8400	spacer bushing	AK	1256 7400	lockwasher
L	1510 8426	spacer	AL	1312 6206	actuator assembly
M	1256 5230	nut for left end, use 1010 0378 nut on right end	AM	1256 0207	screw for single switch const. Use 1340 4678 for 3 switch const.
N	1510 8459	shaft	AN	1341 1897	switch
O	1510 8491	compression spring	AO	1028 6219	spacer nut for single switch const. Use 1332 2631 for 3 switch const.
P	1510 8418	nylon spacer			
Q	1510 8467	contact assembly			
R	1511 9472	printed circuit board			
S	1255 3137	clip	AP	1255 3129	clip
T	1522 5113	shaft	AQ	1010 0493	pin, included in C
U	1511 9506	connector	AR	1255 3178	clip
V	1522 5121	plate	AS	1255 3160	clip
W	1511 9498	connector block	AT	1522 8976	fiber paper insulator
X	1010 9791	screw, beginning with serial F178209P, use 1256 5230 nut			
	1025 8689	screw, prior to serial F178209P, use 1337 2214 lockwasher, 1256 5230 nut			

Control Lanes

NON-SENSING SWITCH ASSEMBLY (PLATE III-3)



PART NUMBERS (PLATE III-3)

1510 9374	complete non-sensing switch assembly, series E6000 and series E2100 non-stripe ledger	1512 0306	switch actuator, even number lanes	K	1321 7013	screw
1522 1120	complete non-sensing switch assembly, series E2100 stripe ledger and all series E4000	C	1510 8764 shaft	L	1510 8798	plate
A	1255 3103 clip	D	1256 5230 nut	M	1256 7442	lockwasher
B	1510 8806 switch actuator, odd number lanes	E	1256 7434 lockwasher	N	1510 8863	screw
		F	1256 8002 washer	O	1340 5923	screw
		G	1511 1156 guide comb for odd number actuators	P	1032 6056	washer
			1522 0361 guide comb for even number actuators	Q	1313 1024	terminal block (20 without internal jumper
		H	1510 8889 lower guide comb	R	1313 1032	terminal block (20 with internal jumpers between 1 and 2, 3 and 4, etc.
		I	1026 1386 screw			
		J	1510 8756 cover			

PART NUMBERS CONTINUED ON NEXT PAGE

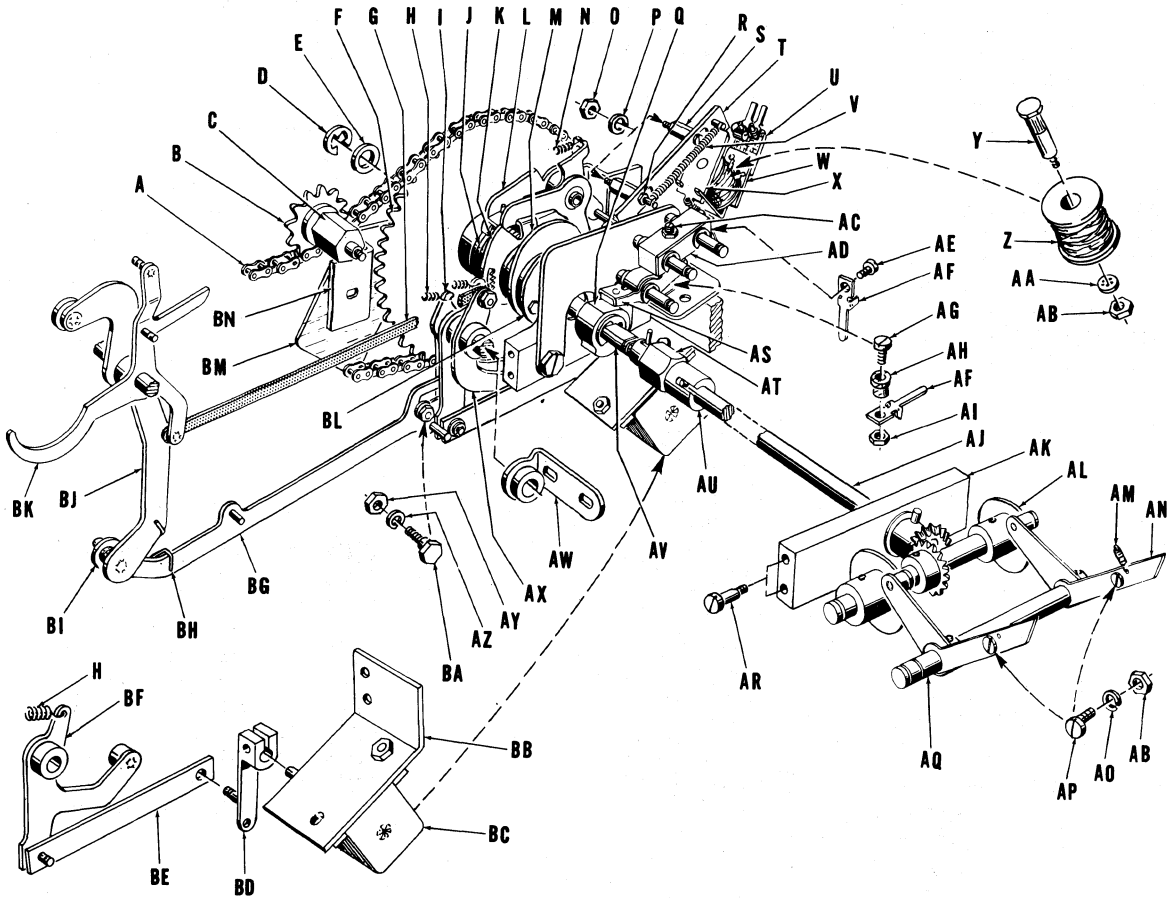


Control Lanes

PART NUMBERS (PLATE III-3) CONTINUED

S	1256 1171	screw, use 1256 1189 screw for four terminal blocks	Y	1256 1122	screw	AH	1256 8002	washer
T	1522 5196	bracket	Z	1511 2030	eccentric	AI	1510 8780	fiber board
U	1256 1130	screw	AB	1256 1106	screw	AJ	1511 1164	contact wire
V	1256 5263	nut	AC	1510 8921	tie bar	AK	1510 8707	front plate
W	1256 8028	washer	AD	1510 9077	bracket	AL	1510 8855	spring
X	1256 7459	lockwasher	AE	1510 8699	back plate	AM	1510 8772	shaft
			AF	1510 8723	contact block	AN	1255 3129	clip
			AG	1256 0686	screw	AO	1510 8871	tie bar

AEC MECHANISM (PLATE III-4)



PART NUMBERS (PLATE III-4)

A	1522 2961	chain	H	1340 9107	spring	P	1256 7467	lockwasher
B	1522 3134	idler sprocket	I	1522 2771	tab-return shaft assembly	Q	1522 2599	cam, use 1255 3186 clip
C	1522 3001	hex post, use 1256 8044 spacer, 1256 7467 lockwasher 1256 5248 nut	J	1522 3076	clutch spring	R	1522 3068	spring post
D	1255 3186	clip	K	1522 2854	clutch limit assembly	S	1522 3050	post
E	1522 3027	spacer	L	1522 2888	clutch trip assembly	T	1522 3035	clutch trip arm
F	1522 2821	sprocket	M	1522 3118	tab-return cam	U	1522 3043	bracket, use 1304 2767 screw, 1256 5230 nut
G	1522 2995	link	N	1035 2136	spring			
			O	1338 7360	nut			

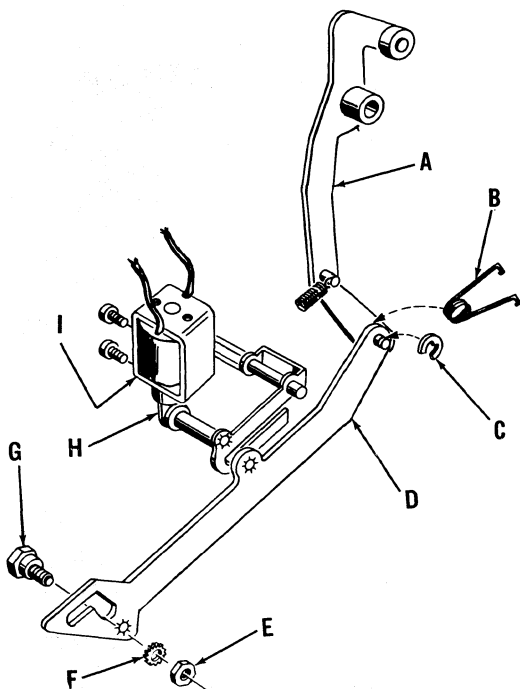
PART NUMBERS CONTINUED ON NEXT PAGE

Control Lanes

PART NUMBERS (PLATE III-4) CONTINUED

V	1340 8893	spring	AO	1256 7442	lockwasher, in-	BH	1336 8253	spring
W	1325 5377	solenoid bracket			cluded in AQ	BI	1307 2632	flanged spacer
X	1325 5492	clapper, use 1026 9975 spring	AP	1316 4637	screw, included in AQ	BJ	1522 2631	cam follower arm
Y	1340 8307	solenoid core	AQ	1522 2722	reset shaft assembly, includes AB, AN, AO, AP	BK	1523 6078	cam follower arm after serial F158339P
Z	1340 7929	solenoid coil					1522 2623	cam follower arm before serial F158400P
AA	1256 7715	lockwasher	AR	1340 3878	shoulder screw			escapement cam after serial F158339P. Use 1522 3092 and 1522 3100 screws
AB	1256 5248	nut, included in AQ	AS	1522 2573	contact assembly			escapement cam before serial F158400P
AC	1522 2581	contact, use 1311 5670 nut	AT	1342 8263	nut	BL	1523 6045	escapement cam after serial F158339P. Use 1522 3092 and 1522 3100 screws
AD	1333 3117	phenolic insulator, 1333 3125 contact block, 1337 8179 phenolic spacers	AU	1304 4680	coupling screw			escapement cam before serial F158400P, use 1522 3092 and 1522 3100 screws
AE	1256 0322	screw	AV	1522 2938	shaft assembly			plastic guard, use 1256 0694 screw, 1256 5230 nut
AF	1311 8575	taper tab	AW	-- --	included in I			bracket, use 1316 5204 screw, 1256 5248 nut
AG	1256 0355	screw, use 1010 4552 washer	AX	1522 2763	escapement bellcrank			
AH	1522 0577	phenolic spacer	AY	1256 5230	nut			
AI	1308 1005	nut	AZ	1256 7434	lockwasher			
AJ	1522 2656	drive shaft assembly	BA	1522 4694	screw			
AK	1522 2748	mounting bar	BB	1522 3159	bracket			
AL	1522 2698	reset camshaft assembly	BC	1324 3613	cycle counter, use 1257 2301 screw, 1256 5230 nut	BM	1522 4330	
AM	1026 9769	spring	BD	1522 3175	arm, use 1257 2269 screw			
AN	1522 2755	reset arm, included in AQ	BE	1522 3167	link	BN	1522 2813	
			BF	1522 2805	tab-return bellcrank			
			BG	1522 3019	arm			

CARRIAGE MOVEMENT SOLENOID (PLATE III-5)

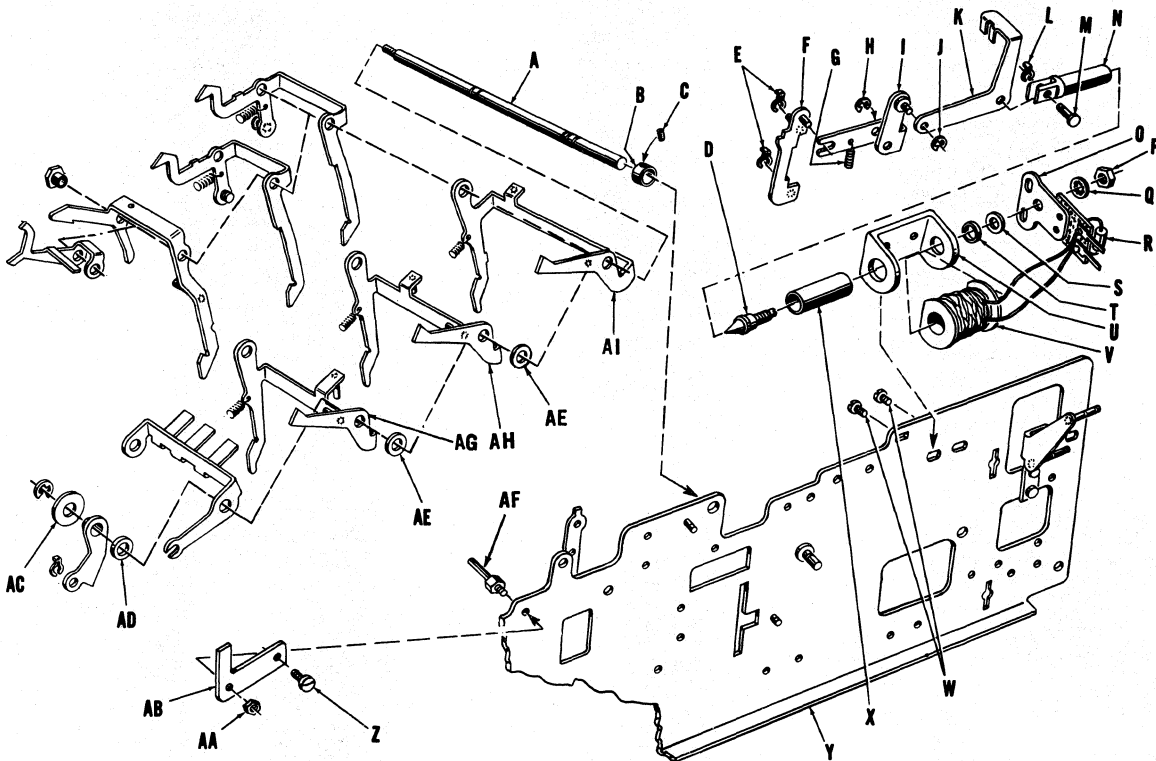


PART NUMBERS (PLATE III-5)

A	1522 2631	cam follower arm
B	1336 8253	spring
C	1255 3145	clip
D	1522 3019	link
E	1256 5230	nut
F	1337 2214	lockwasher
G	1522 4694	eccentric screw
H	1523 3240	solenoid plunger
I	1341 8686	assembled solenoid

Control Lanes

SENSING UNIT BACK PLATE ASSEMBLY (PLATE III-6)

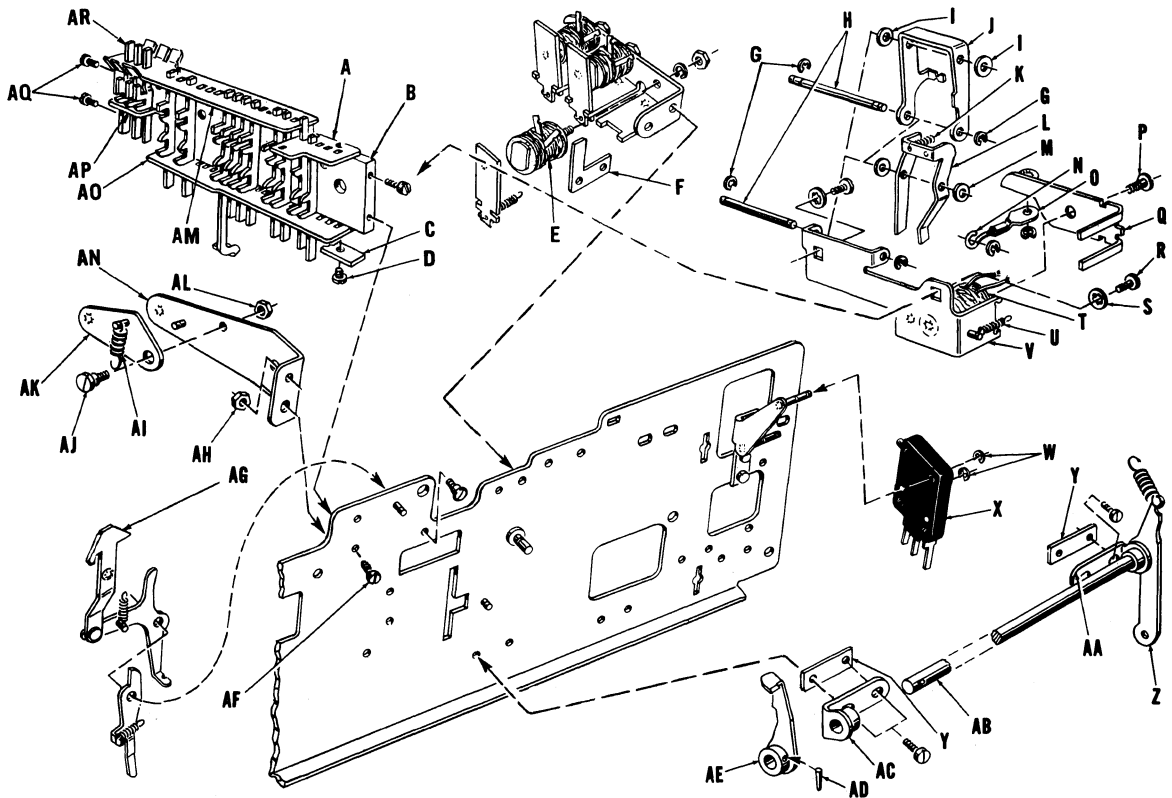


PART NUMBERS (PLATE III-6)

A	1510 2155	shaft	O	1511 7930	solenoid bracket	Z	1010 8991	screw
B	1337 9656	set collar		1522 9073	solenoid and bracket	AA	1010 0378	nut
C	1255 7526	setscrew			assembly, includes	AB	1511 3517	bracket
D	1326 1516	adjusting screw			D, O through V, X	AC	1030 6298	washer
E	1010 0212	clip	P	1256 5289	nut	AD	1304 4516	spacer
F	1510 2205	notched control slide	Q	1256 7749	lockwasher	AE	1303 9854	spacer
G	1027 6582	spring	R	1340 2656	diode	AF	1333 5740	hexagon post
H	1255 3145	clip	S	1303 9854	washer	AG	1333 4743	bail, series E2100, E4000
I	1510 2296	bellcrank	T	1028 7514	spacer		1527 1646	bail, series E6000
J	1255 3129	clip	U	1326 1524	bracket	AH	1333 4784	bail, series E2100, E4000
K	1510 2312	link	V	1511 9118	coil		1527 1653	bail, series E6000
L	1010 0212	clip	W	1340 3852	screw	AI	1333 4792	bail, series E2100, E4000
M	1338 8525	pin	X	1511 6205	solenoid sleeve		1527 1661	bail, series E6000
N	1331 8480	plunger	Y	1510 1884	back plate, series E2100, E4000			
				1527 1679	back plate, series E6000			

Control Lanes

SENSING UNIT AND TAPPET BLOCK ASSEMBLY (PLATE III-7)



PART NUMBERS (PLATE III-7)

1510 5521	tappet control assembly, series E2100, E4000, includes G thru Q, T, U, V	I	1010 8579	spacer	AB	1522 2771	shaft assembly, with AEC mechanism, includes Z through AE	
A	1333 4552	guide plate	J	1510 2254	bail	1336 7529	shaft assembly, without AEC mechanism, includes Z through AE	
B	1510 2197	tappet block, series E2100, E4000	K	1026 9298	spring	AC	1336 7545	bracket, included in AB
	1527 1240	tappet block, series E6000	L	1510 2262	limit bail	AD	1010 0659	pin, included in AB
	1510 5513	complete tappet unit assembly, series E2100, E4000	M	1010 4552	spacer	AE	-- --	included in AB
	1527 1638	complete tappet unit assembly, series E6000	N	1510 2338	turnbuckle eye	AF	1010 9197	screw
C	1510 2171	guide plate	O	1028 8645	turnbuckle	AG	1502 9507	skid, .4"
D	1010 3380	screw	P	1510 2320	screw		1333 5922	skid, 1"
E	1503 1701	solenoid coil, series E2100, E4000, includes core	Q	1510 2270	clapper assembly	AH	1256 5248	nut
	1527 1299	solenoid coil, series E6000, includes core	R	1010 6706	screw	AI	1304 2965	spring
F	1511 3509	bracket	S	1010 4362	lockwasher	AJ	1340 3118	screw
G	1255 3129	clip	T	1510 1926	bobbin assembly	AK	1511 3632	stabilizer, for PG rack
H	1510 2239	shaft	U	1027 2912	spring	AL	1257 3887	nut
			V	1510 2213	bracket, tappet control	AM	1333 4545	upper guide plate
			W	1255 3103	clip	AN	1510 2346	bracket
			X	1341 1848	switch	AO	1510 2185	lower guide plate, series E2100, E4000
			Y	1333 5898	blank		1527 1257	lower guide plate, series E6000
			Z	-- --	included in AB			
			AA	1522 2789	bracket, with AEC mechanism, included in AB			
				1336 7545	bracket, without AEC mechanism, included in AB			

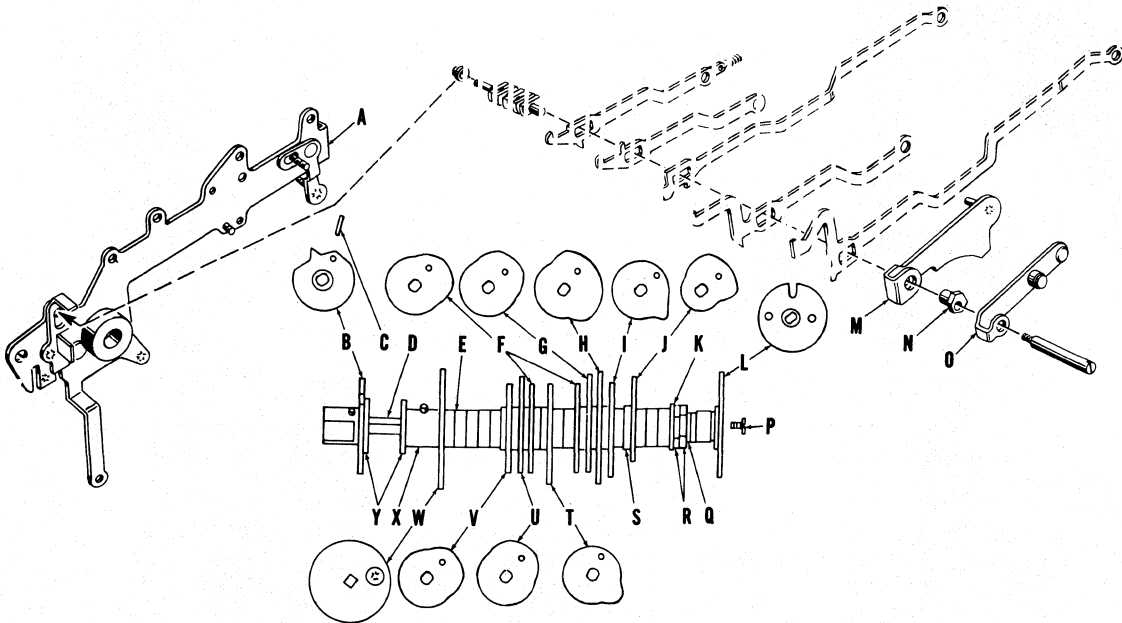
PART NUMBERS CONTINUED ON NEXT PAGE

Control Lanes

PART NUMBERS (PLATE III-7) CONTINUED

Part No.	Description	Lane of Control		Part No.	
		Control	Part No.	Control	Part No.
AP 1304 3799	guide plate, series E2100, E4000	4	1527 1190,	12	1333 5005
1527 1224	guide plate, series E6000		series	14	1511 1123
AQ 1303 1364	screw		E6000	15	1511 1123,
AR -- --	TAPPETS	5	1511 6767,		series
	Lane of Control		series		E2100,
	Part No.		E2100,		E4000
	3 1511 6759		E4000	15	1527 1216,
	4 1511 6775,	5	1527 1208,		series
	series		series		E6000
	E2100,		E6000	21	1333 4875
	E4000	6, 8, 13	1333 4842	22	1333 4867
		17, 18, 19			

SENSING UNIT CAMSHAFT ASSEMBLY (PLATE III-8)

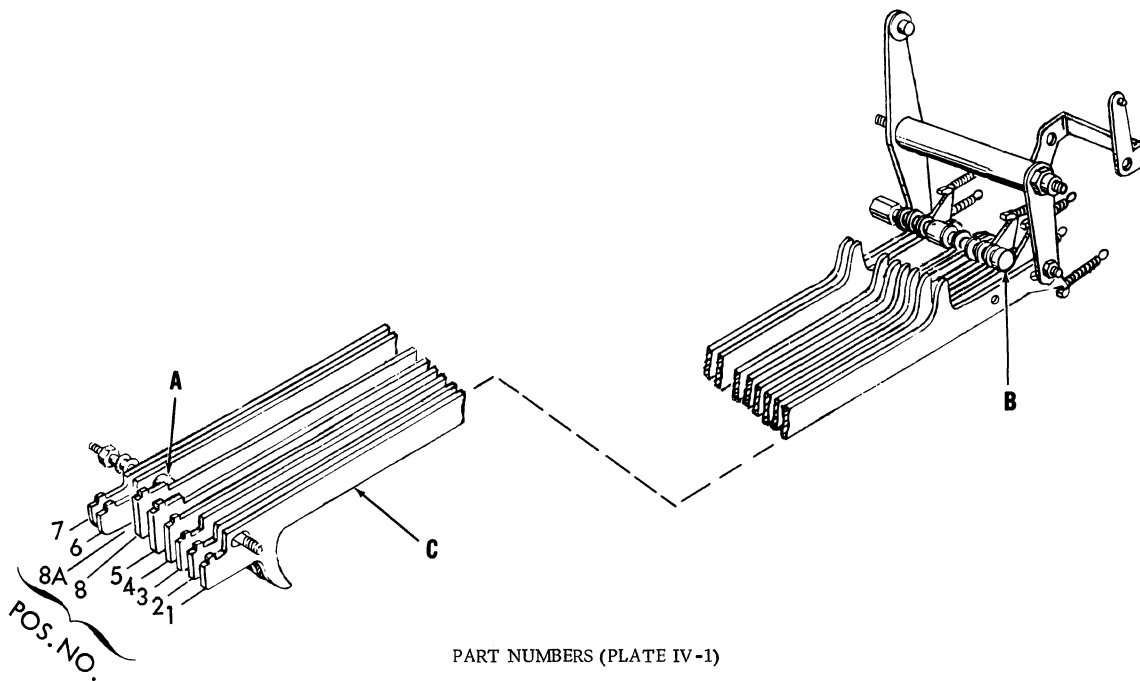


PART NUMBERS (PLATE III-8)

1510 2023	camshaft assembly, includes B thru K, R thru X	G 1510 2064	cam	Q 1510 2163	spacer
A 1511 6643	front plate	H 1511 9845	cam	R 1510 2122	nut
B -- --	included in D	I 1510 2049	cam	S 1304 4466	spacer
C 1256 8903	pin, included in D	J 1510 2072	cam	T 1510 2080	cam
D 1510 2015	shaft assembly, includes B, C, X	K 1333 6003	spacer	U 1510 2098	cam
E 1010 9924	spacer	L 1333 6813	coupling cam	V 1510 2056	cam
F 1510 2031	cam	M 1510 1934	actuating arm	W 1510 2106	cam
		N 1304 4490	eccentric bushing	X -- --	included in D
		O 1510 1942	actuating arm	Y 1510 1959	spacer
		P 1257 3291	screw		

Keyboard

CODE ACTUATING SLIDES, BELLCRANKS AND LINKS (PLATE IV-1)

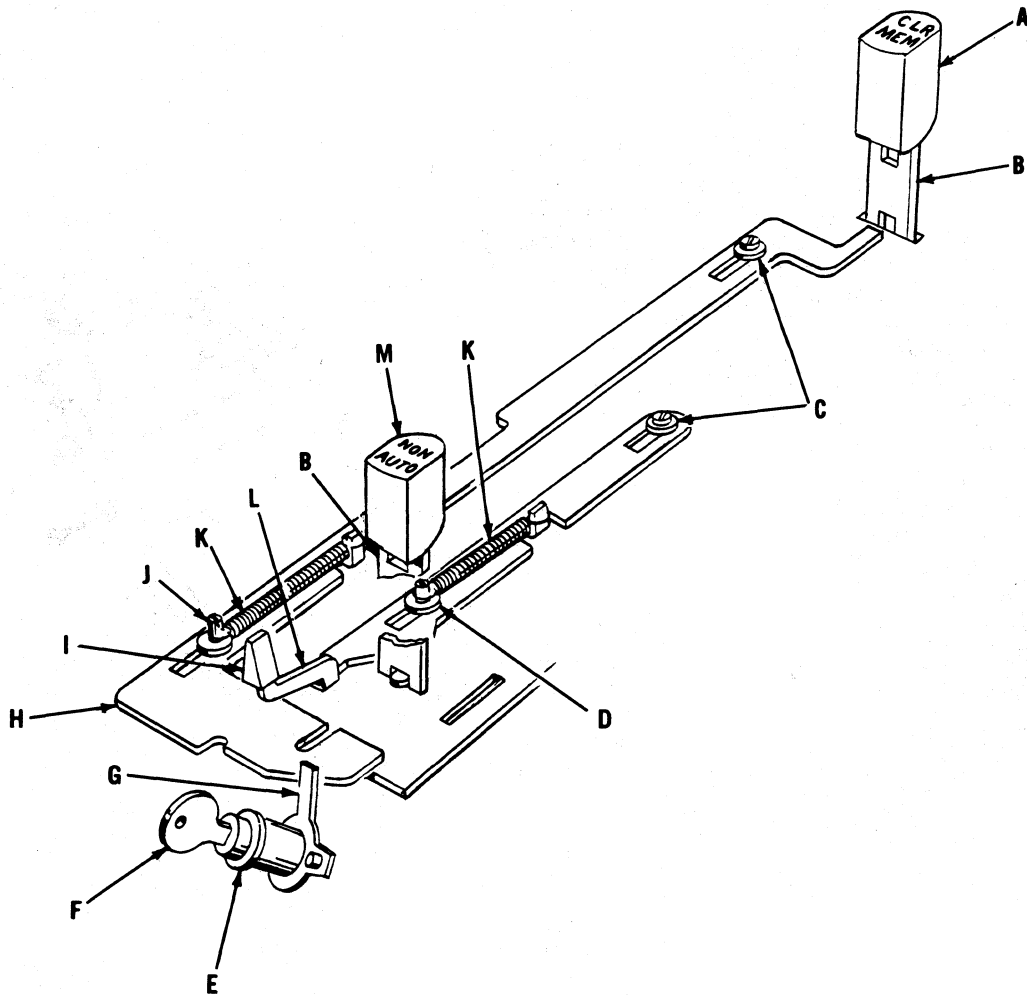


PART NUMBERS (PLATE IV-1)

- A 1337 7361 spacer for eight slides
- 1523 7449 spacer for nine slides
- B 1336 7685 guide post
- C -- -- code slides

<u>POSITION NO.</u>	<u>E2100 NON-STRIPE LEDGER</u>	<u>E2100 STRIPE LEDGER AND ALL E4000</u>
1	1336 7578	1522 5972
2	1336 7586	1522 5998
3	1336 7594	1522 6004
4	1336 7602	1522 6012
5	1336 7610	1522 6020
8	not used	1522 6053
8A (not shown) for upper case characters with TTFM	1511 9878	1523 7423
6	1336 7628	1522 6038
7	1511 9852	1522 6046

CLEAR MEMORY AND NON-AUTO KEY INTERLOCKS (PLATE IV-2)

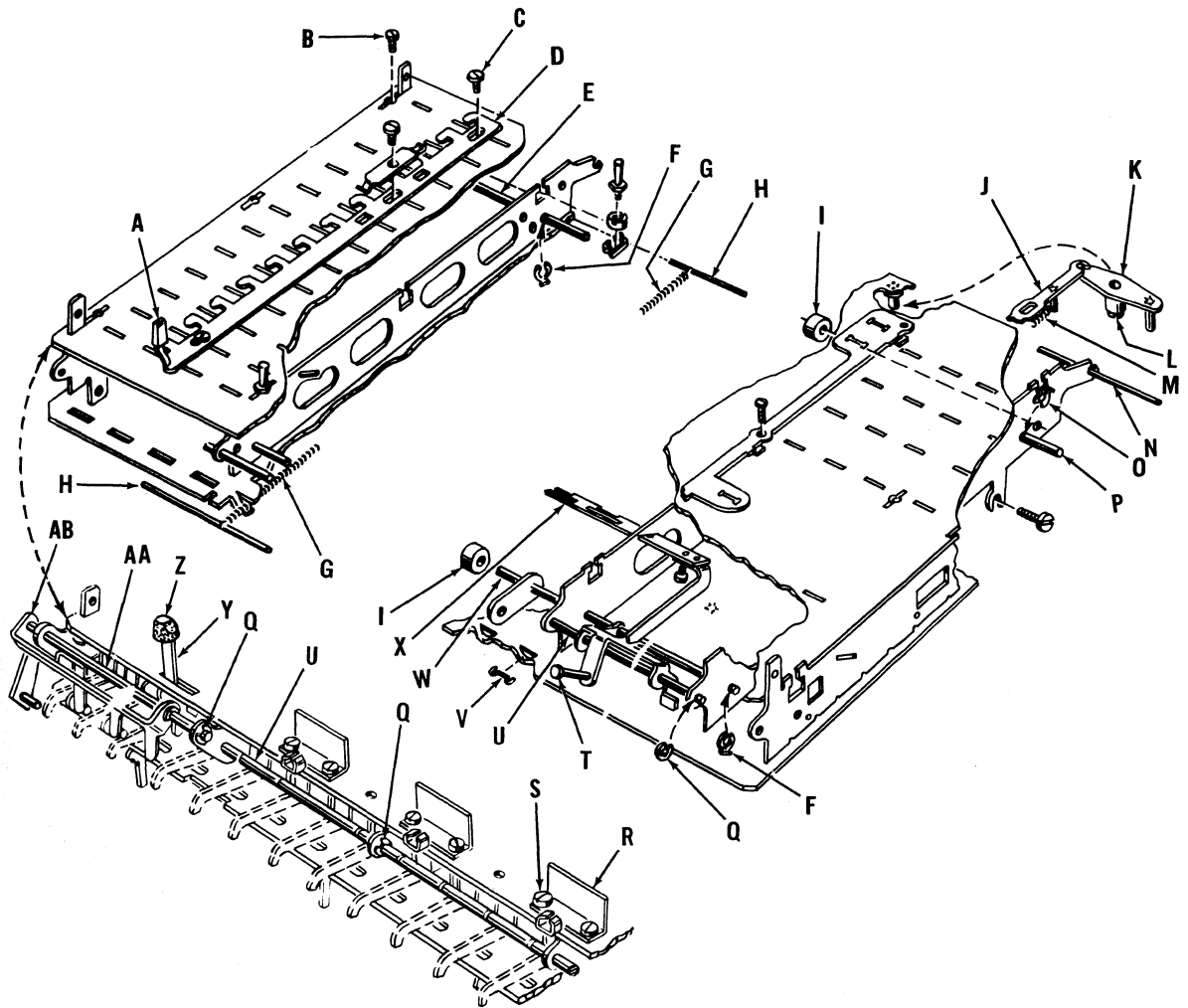


PART NUMBERS (PLATE IV-2)

A	1511 0133	keytop, "CLR MEM"
B	1301 3263	keystem
C	1340 4991	screw
D	1340 4983	spring stud screw
E	-- --	lock, 90 1/2 Style 7, specify combination BU1091F8 thru BU1100F8
F	-- --	key, 90 5/8 Style 7, specify combination BU1091F8 thru BU1100F8
G	1329 5001	lock cam
H	1511 1628	locking slide
I	1330 1981	button, included in L
J	1511 1636	spring stud screw
K	1026 9355	spring
L	1522 6822	keystem lock
M	1522 6848	keytop, "NON AUTO"

## Keyboard

## KEYBOARD CONSTRUCTION (PLATE IV-3)



## PART NUMBERS (PLATE IV-3)

A	1330 1981	plastic button, included in D	I	1337 5662	spacer	T	1301 2729	bail
B	1012 0178	screw	J	1510 9846	interlock slide	U	1329 3089	shaft
C	1028 8785	screw, use 1010 0444 nut	K	1510 9853	bellcrank	V	1341 2200	spring anchor, columns A, B, C
D	1330 2179	locking slide	L	1010 9635	screw	W	1510 9812	shaft
E	1523 5716	shaft, 11 1/2" long	M	1044 2622	spring	X	1510 9770	repeat slide
F	1010 0220	clip	N	1329 3030	spring anchor shaft	Y	1510 9820	date repeat control lever, use 1010 0220 clip
G	1012 0301	spring, for motor bar column and columns 0 thru 14	O	1255 3145	clip	Z	1331 4042	plastic button
	1301 9666	spring, for column A, B, C	P	1510 9804	shaft, 2 1/2" long	AA	1510 9879	shaft
H	1301 0533	spring anchor shaft	Q	1255 3129	clip	AB	1522 8398	bail
			R	1510 9796	lamp bracket, series E2100, E4000			
				1525 2919	lamp bracket, series E6000			
			S	1256 0322	screw, use 1256 5206 nut			



Keyboard

KEYTOPS (PLATE IV-4)

MEMORY ADDRESS COLS.  
Ivory 300 on Red 401

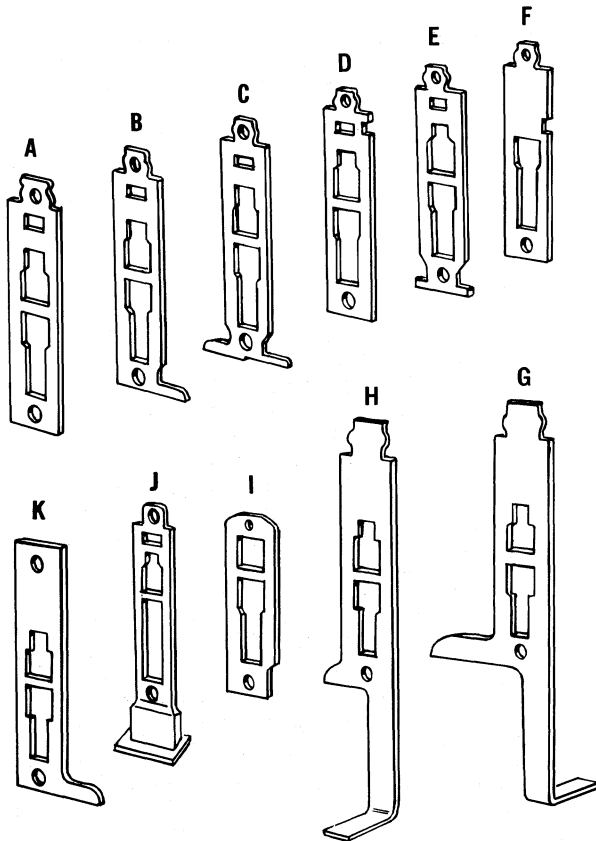
1	1510 9911
2	1510 9929
3	1510 9937
4	1510 9945
5	1510 9952
6	1510 9960
7	1510 9978
8	1510 9986
9	1510 9994

SYMBOL COLS.  
Beige 129 on Brown 114

-	1511 0026
*	1511 0042
•	1330 9471
+	1330 9513

For character keytops and/or other keytops with special markings and matching type - order on SPECIAL TYPE AND KEYTOP CHART Form 2836

KEYSTEMS (PLATE IV-5)

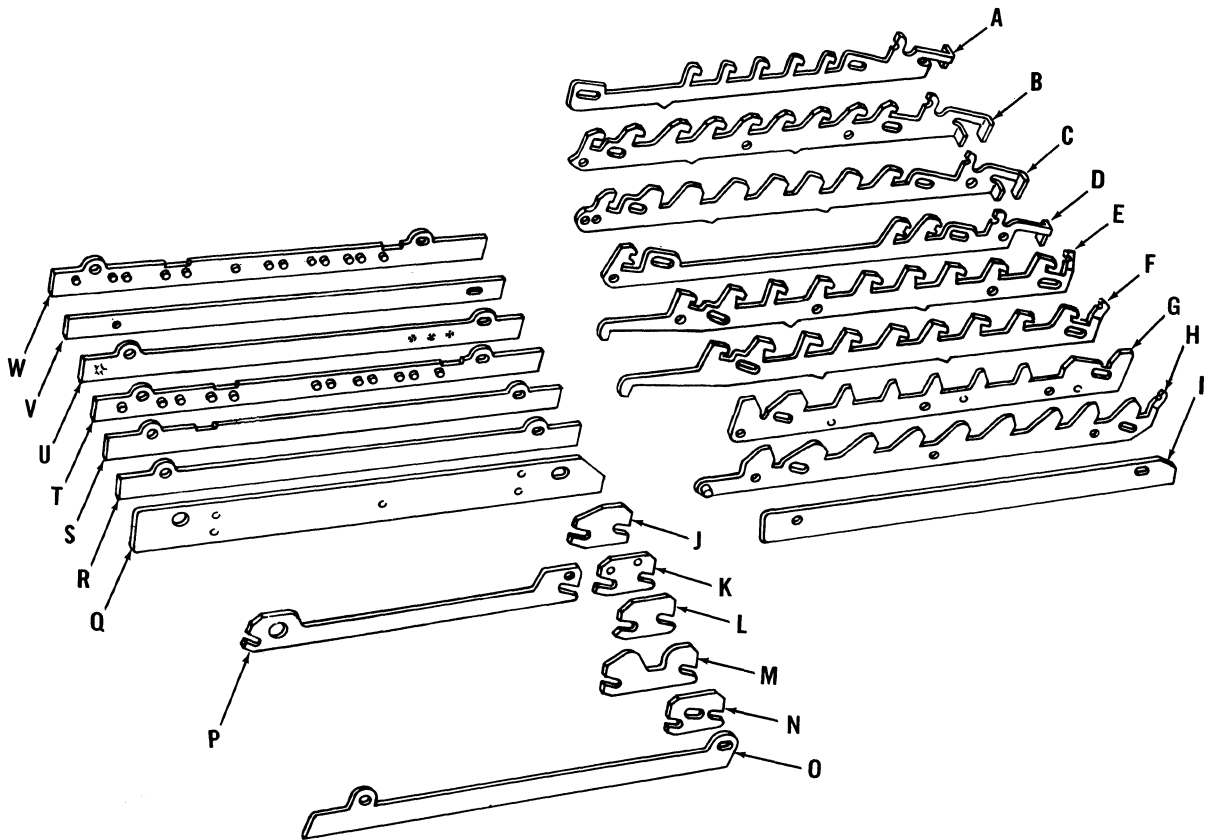


PART NUMBERS (PLATE IV-5)

A	1301 3263	position 8 col. B, position 1 col. C
B	1511 0000	position 4, 5, 7, col. B position 3, 4, 6, 7, 8, col. C
C	1522 0973	position 5, col. C
D	1301 3271	position 3, col. B
E	1301 3453	position 6, col. B
F	1301 3297	position 3, col. A
G	1512 0108	motor bar No. 3 and No. 4, series E2100, E4000
	1527 0655	motor bar No. 3 and No. 4, series E6000
H	1512 0116	motor bar No. 1 series E2100, E4000
	1527 0663	motor bar No. 1, series E6000
I	1301 3388	auxiliary keystem
J	1523 5740	position 1 thru 9, col. 0 thru 14
K	1510 9895	position 7, col. A

## Keyboard

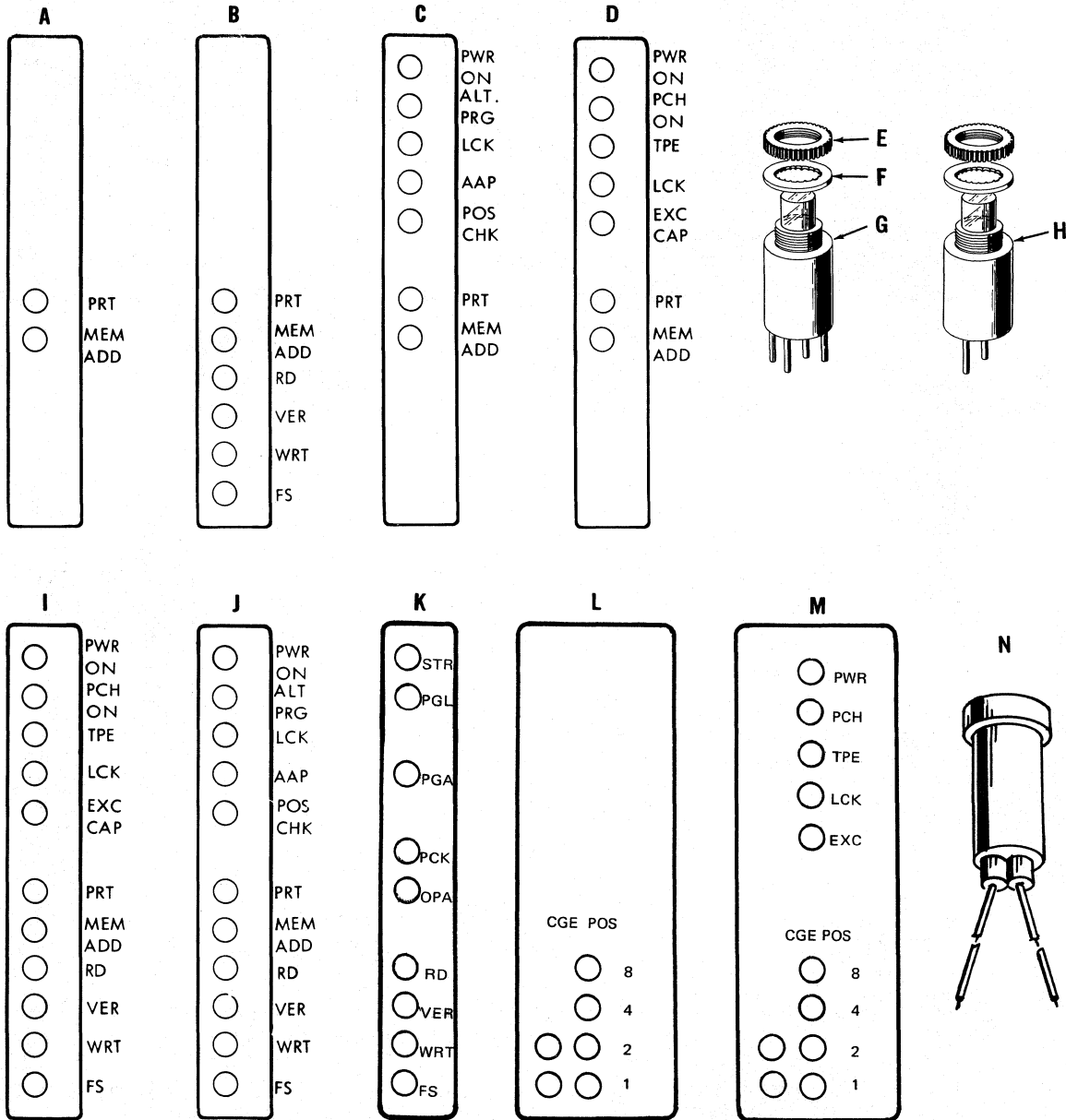
## KEYBOARD LOCKING SLIDES, AUXILIARY SLIDES, LIMIT STRIPS, INTERLOCKS (PLATE IV-6)



## PART NUMBERS (PLATE IV-6)

A	1510 9556	locking slide, cols. A, B	I	1511 7419	limit strip
B	1510 9762	locking slide, cols. 0 thru 14	J	1301 0632	interlock plate, col. B
C	1522 0957	locking slide, col. C	K	1301 0640	interlock plate, motor bar col.
D	1329 3865	locking slide, motor bar col., all series	L	1329 3386	interlock plate, col. C
	1527 0671	camming slide, motor bar col., series E6000	M	1329 3402	interlock plate, col. C
E	1329 4343	locking slide	N	1329 3394	interlock plate, col. C
F	1329 4335	locking slide	O	1329 4228	positioning strip, col. C
G	1523 5534	binary slide (embossed) all series	P	1301 0657	interlock plate, motor bar col.
	1523 4990	binary slide (smooth) series E4000	Q	1330 2385	limit strip
	1527 0721	binary slide (smooth) series E6000	R	1329 3618	limit strip
H	1523 5542	MA enforced slide (embossed), nine projection	S	1329 3527	limit strip, cols. A, B, C
	1527 0739	MA enforced slide (smooth), nine projection	T	1329 3485	limit strip, col. C
	1523 5005	MA enforced slide, single projection	U	1523 6979	limit strip, motor bar col. (right side)
	1527 0689	MA enforced slide, three projection	V	1301 0939	limit strip, motor bar col. (left side)
			W	1510 9887	limit strip, cols. A, B

INDICATOR STRIPS, LIGHTS AND SWITCHES (PLATE IV-7)

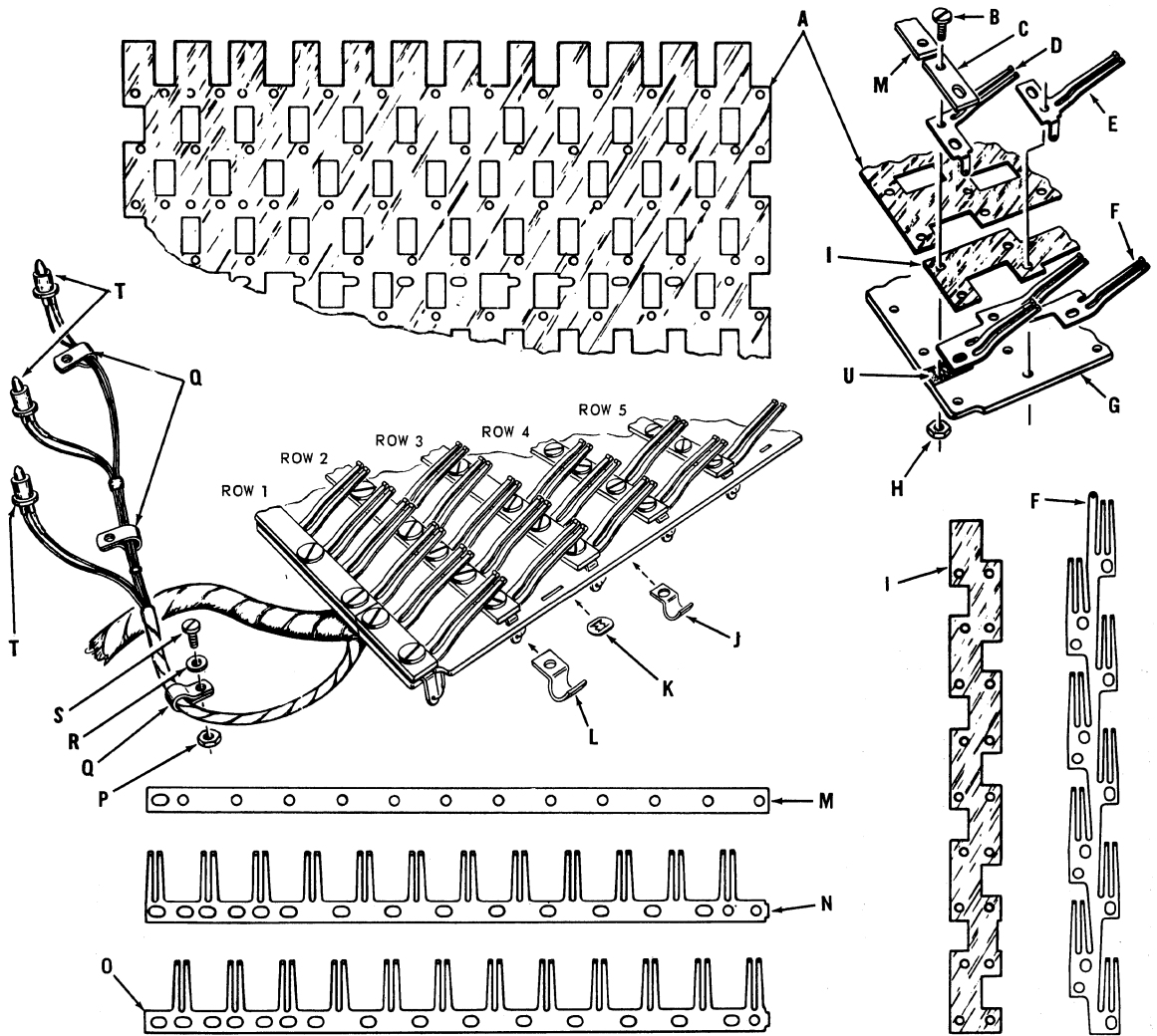


PART NUMBERS (PLATE IV-7)

- |  |   |
|--|---|
| <p>A 1522 7184 indicator strip</p> <p>B 1522 6863 indicator strip, stripe ledger</p> <p>C 1522 1039 indicator strip (printer to card)</p> <p>D 1522 1021 indicator strip (printer to tape)</p> <p>E -- -- locknut, included in G and H</p> <p>F -- -- lockwasher, included in G and H</p> <p>G 1511 7724 indicator light &amp; switch (red), includes E, F</p> <p>1511 7732 indicator light &amp; switch (amber), includes E, F</p> <p>1526 8907 indicator light &amp; switch (green), includes E, F</p> <p>H 1511 7559 indicator light (red), includes E, F</p> <p>1511 7567 indicator light (amber), includes E, F</p> <p>1511 7575 indicator light (green), includes E, F</p> | <p>I 1522 6871 indicator strip, stripe ledger (printer to tape)</p> <p>J 1522 6889 indicator strip, stripe ledger (printer to card)</p> <p>K 1527 1042 indicator strip, stripe ledger</p> <p>L 1527 1158 indication strip</p> <p>M 1527 1182 indication strip</p> <p>N 1526 8915 cge. position lamp (red, neon)</p> <p>1526 9095 "PWR" and "PCH" lamp (green)</p> <p>1526 9103 "TPE" lamp (amber)</p> <p>1526 9111 "LCK" and "EXC" lamp (red, incandescent)</p> |
|--|---|

Keyboard

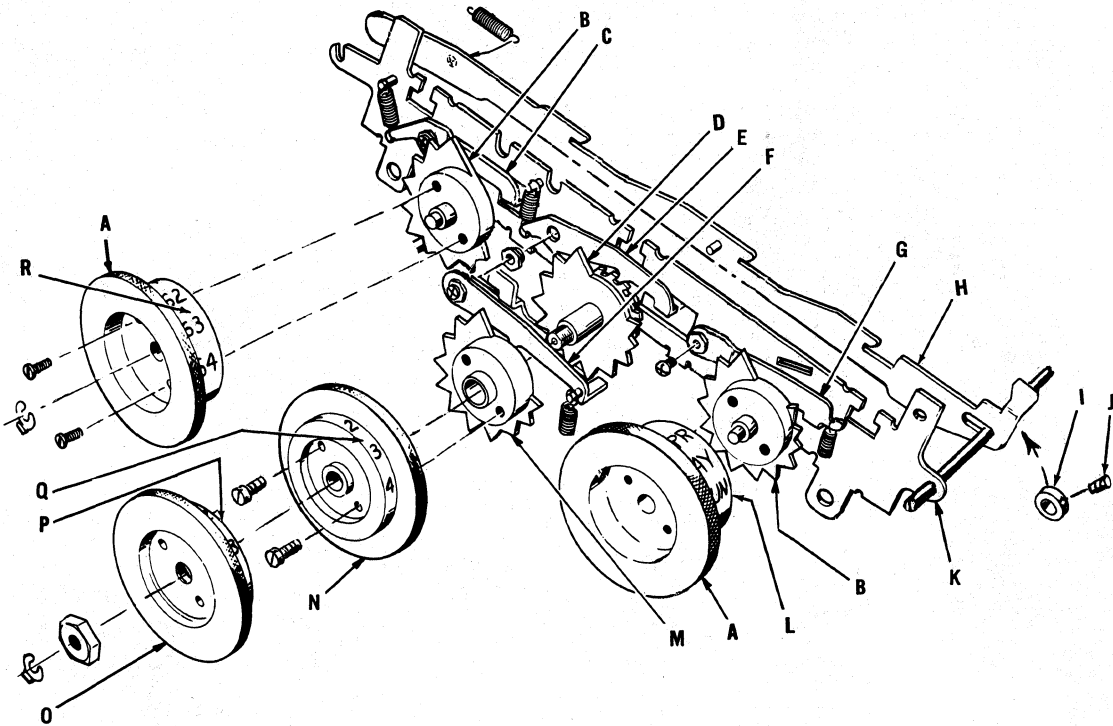
KEYBOARD READ-OUT ASSEMBLY (PLATE IV-8)



PART NUMBERS (PLATE IV-8)

1511 8805	complete keyboard read-out assembly, series E2100	F	1510 8236	contact assembly (shown), 9 prong	I	1510 8350	insulating sheet	
1523 5435	complete keyboard read-out assembly, series E4000		1523 5021	contact assembly, 8 prong	J	1340 6525	cable clamp	
1527 0580	complete keyboard read-out assembly, series E6000		1527 0630	contact assembly, 6 prong	K	1010 0261	speed nut	
A	1510 8343	insulator sheet (8 1/3" x 6 3/4")	1527 0648	contact assembly, 3 prong	L	1511 4762	cable clamp	
B	1316 5295	nylon screw	1523 5013	contact assembly, single prong for hundreds of MA, series E4000	M	1510 8202	insulating strip	
C	1510 8194	insulating strip	G	1510 8319	baseboard assembly, includes U	N	1510 8277	contact assembly
D	1510 8293	contact assembly	H	1308 1005	nut	O	1510 8285	contact assembly
E	1510 8301	contact assembly				P	1256 5180	nut
						Q	1340 6608	cable clamp
						R	1256 7970	washer
						S	1256 0132	screw
						T	1511 1180	lamp assembly
						U	1510 8327	black vinyl tape, included in G

CALENDAR FEATURE, ROTARY DIAL INDEXED - FOUR DIAL CONSTRUCTION (PLATE IV-9)

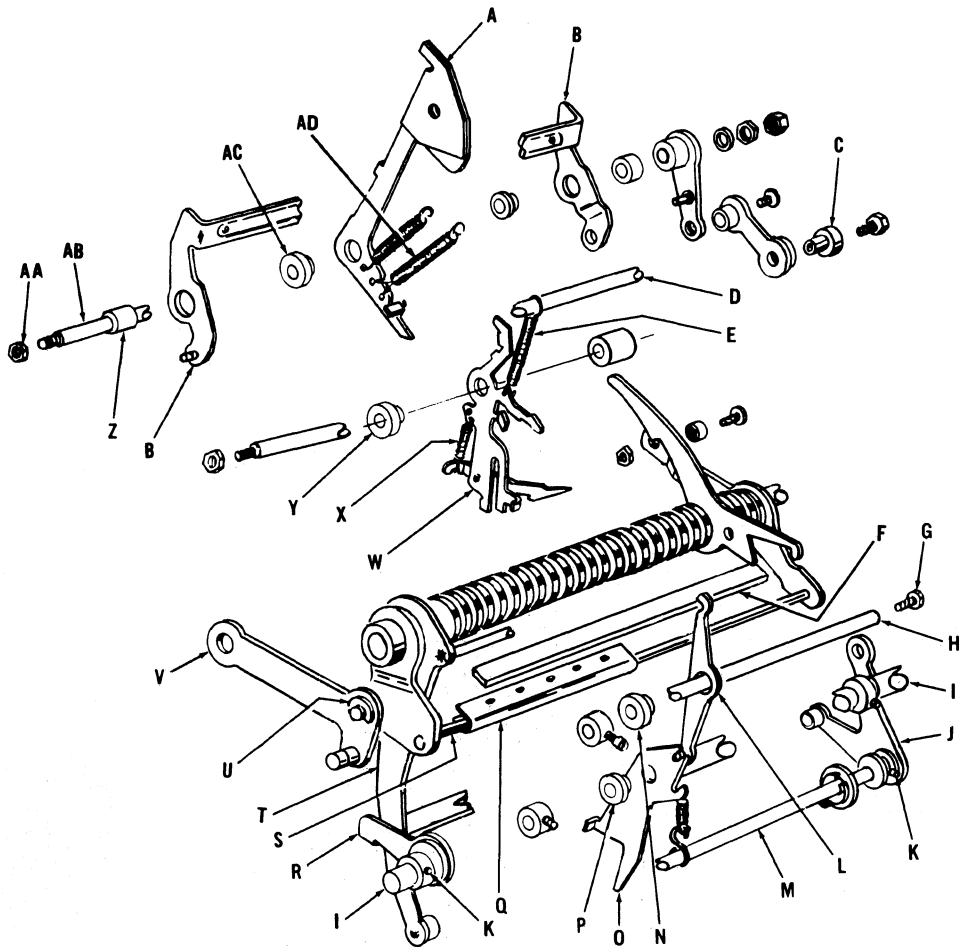


PART NUMBERS (PLATE IV-9)

- A 1503 0752 dial assembly (plain), for year or month, includes B
- 1523 5633 dial only (plain), for year or month
- B 1502 4730 ratchet, included in A
- C 1502 4698 detent
- D 1502 5018 ratchet
- E 1502 4680 detent
- F 1502 4672 detent
- G 1502 4664 detent
- H -- -- included in K
- I 1342 7737 set collar, includes J
- J 1255 7617 setscrew, included in I
- K 1510 9713 separator strip, includes H
- L 1503 0547 decal (months)
- M 1502 5034 ratchet, included in N
- N 1503 0778 dial assembly (plain) unit of days, includes M
- 1503 0679 dial only (plain)
- O 1503 0794 dial, (plain) tens of days
- P 1503 0687 decal, (tens of days)
- Q 1503 0653 decal, (units of days)
- R 1503 0695 decal, (year)

Printing

PRINTING SECTION - COMPONENT PARTS (PLATE V-1)



PART NUMBERS (PLATE V-1)

1512 0264	series E2100 complete assembled printing section with carriage controlled cipher splits between kyb. col. sym/1, 2/3, 5/6, 6/7, 9/10	E	1340 9537	hammer latch spring for hammer latch position S1 thru S4, 2, 5, 9, 12, 13, 15 thru 18
1523 5500	series E4000 complete assembled printing section with carriage controlled cipher splits between kyb. col. sym/1, 2/3, 5/6, 6/7, 9/10		1340 9743	hammer latch spring for hammer latch position 1, 3, 4, 6, 7, 8, 10, 11
1527 3022	series E4000, E6000 complete assembled printing section with carriage controlled cipher splits between kyb. col. sym/1, 2/3, 5/6, 6/7, 8/9	F	1522 5873	hammer limit bar
A	1523 1228 hammer, position S1 thru S4, 16, 17	G	1303 1364	screw
	1510 3906 hammer, position 18	H	1306 9695	tie shaft
	1510 3880 hammer, position 15	I	1510 4029	timing bail shaft, includes K, R
	1332 6186 hammer, position 1 thru 13	J	-- --	included in M
B	1332 4009 bail	K	1029 3389	pin, included in I, M
C	1510 4078 hub collar	L	1307 1170	indexing finger
D	1306 9653 shaft	M	1510 3930	main drive shaft, includes J, K
		N	1337 5902	shoulder collar
		O	1332 4199	latch release
			1511 9209	latch release, contains stud for split of symbols
		P	1337 5910	shoulder collar

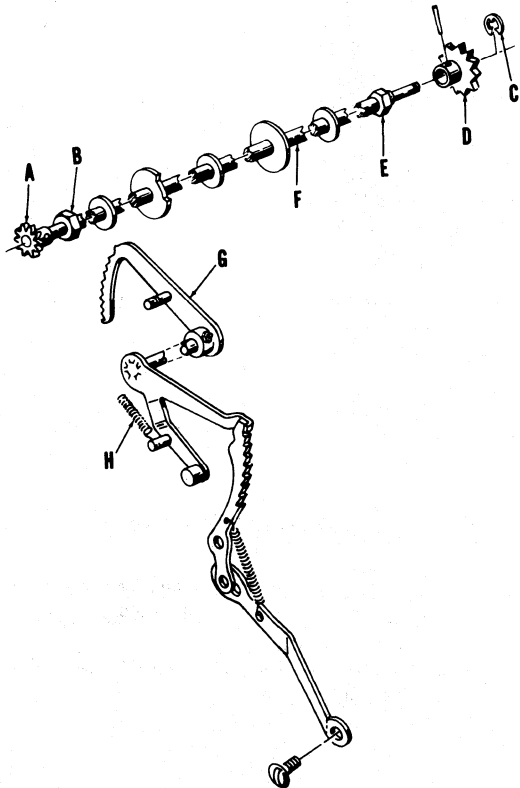
PART NUMBERS CONTINUED ON NEXT PAGE

Printing

PART NUMBERS (PLATE V-1) CONTINUED

Q	1332 4256	channeled spring anchor	X	1340 9735	spring
R	-- --	included in I	Y	1307 2665	flanged spacer, for hammer latch position S2, S3, S4, 15 thru 17
S	1306 8861	shaft, included in T		1337 5894	flanged spacer for hammer latch position S1, 1 thru 14
T	1510 4045	hammer block latch assembly, includes F		1503 0471	hex spacer, for hammer latch position 18
U	1010 0154	clip	Z	1342 6895	collar
V	1332 6715	link	AA	1010 0410	nut
W	-- --	hammer latches	AB	1332 2821	shaft
		(split, kyb. col. 9/10)	AC	1337 5886	flanged collar, position 18
		(split, kyb. col. 8/9)		1307 2616	flanged collar, position S2, S4, 15 thru 17
		Position No.		1337 5928	flanged collar, position 1 thru 15
		Position No.		1337 5936	flanged collar, position S1
	1511 9233	1	AD	-- --	hammer spring. Use 1510 3872 spring anchor
	1332 6533	2		1341 0063	position S3, 1 thru 4, 6 thru 8, 12, 13, 16
	1332 6301	3, 6, 10		1340 9818	position 18
	1332 6277	4, 8, 11		1341 0105	position S2, S4, 5, 9, 11, 17
	1332 6319	5, 9, 12		1341 0113	position S1, 10, 15
	1332 6350	7		1511 9191	aligning bar assembly (double drive), not illustrated
	1307 1311	S1, S2, 13			
	1307 1493	15, 17, 18			
	1307 1295	16			
	1307 1188	S3			
	1523 4982	S4			

PRINTING CONTROL LINKAGE (PLATE V-2)

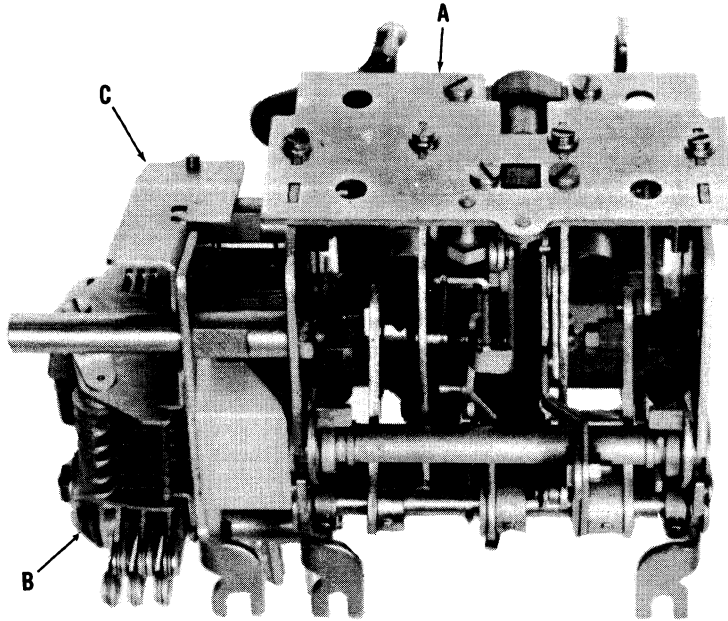


PART NUMBERS (PLATE V-2)

	1510 7709	complete assembled printing control cam-shaft - specify unit number or furnish chart
A	-- --	included in F
B	1010 0337	nut, included in F
C	1010 0212	clip
D	-- --	included in F
E	1010 0337	nut
F	1332 3399	shaft assembly, includes A, B, D
G	1510 7428	print control arm assembly
H	1340 8984	spring, use 1026 6351 spring anchor

Printing

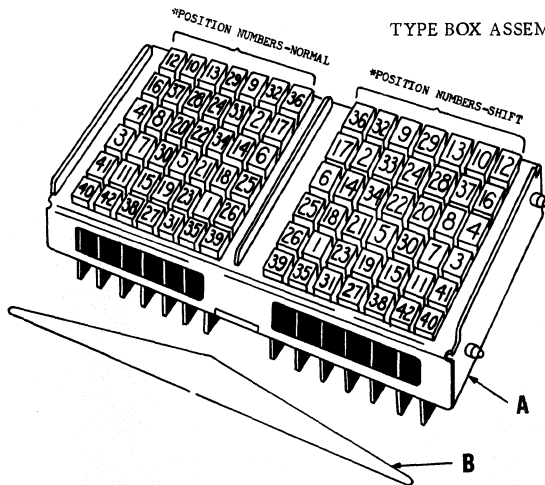
WRITER BOX ASSEMBLY (PLATE V-3)



PART NUMBERS (PLATE V-3)

- A 1523 8850 writer box assembly, includes B, beginning with serial F165951P. Use 1523 8850, 1511 1107 bracket, 1010 0394 nut (2 req.), 1035 1278 screw (2 req.), 1256 7434 lock-washer (2 req.) prior to serial F165951P. Use 1026 9355 spring on shift lever.
- B 1523 8843 writer code plate assembly, included in A, beginning with serial F165951P. Use 1523 8843, 1511 1107 bracket, 1010 0394 nut (2 req.), 1035 1278 screw (2 req.), 1256 7434 lockwasher (2 req.) prior to serial F165951P
- C 1511 1107 removable counter bracket, use 1010 0394 nut (2 req.), 1035 1278 screw (2 req.), 1256 7434 lockwasher (2 req.)

TYPE BOX ASSEMBLY (PLATE V-4)



PART NUMBERS (PLATE V-4)

- 1522 7234 complete assembled type box for series E2100 stripe ledger, series E4000, E6000, includes A, B
- 1336 1605 complete assembled type box for series E2100 non-stripe ledger



Printing

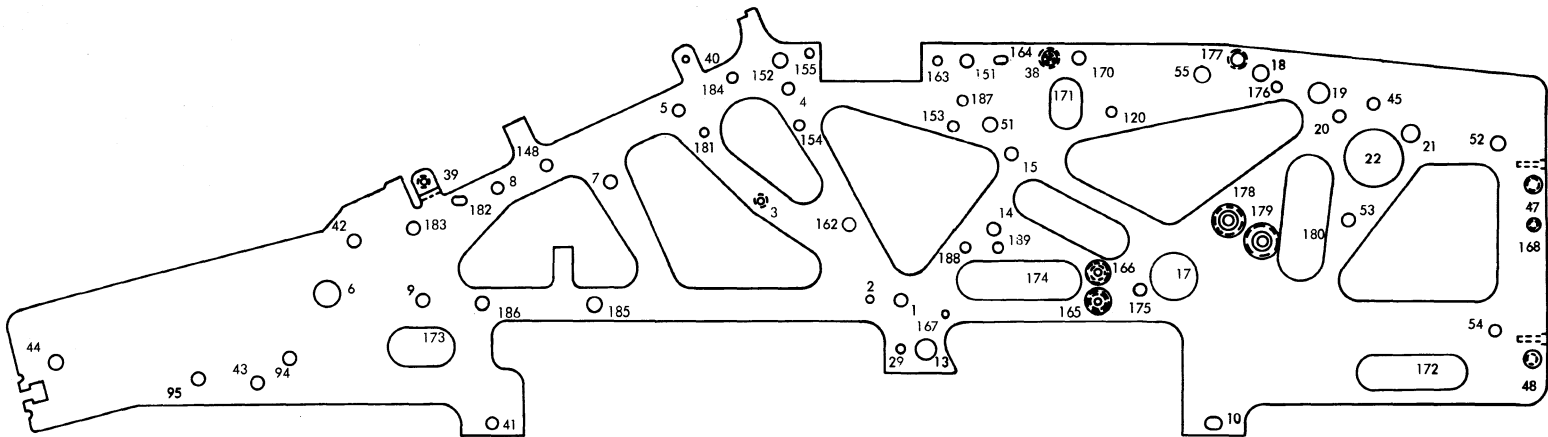
TYPEWRITER TYPE CHART (PLATE V-5)

Normal	Part Number	Shift	Part Number	Position Number	
				E2100 Stripe Ledger E4000, E6000	E2100
A	1336 5606	6/	1336 4617	14	2
B	1336 5515	/15	1336 4682	34	20
C	1336 5416	13/	1336 4591	26	12
D	1336 5424	8/	1336 4583	22	10
E	1336 5580	3/	1336 4559	20	9
F	1336 5630	9/	1336 4666	8	14
G	1336 5663	10/	1336 4716	4	18
H	1336 5523	=	1336 4328	31	22
I	1336 5440	/3	1336 4567	42	29
J	1336 5689	/10	1336 4740	2	26
K	1336 5531	/12	1336 4732	33	30
L	1336 5622	/16	1336 4674	19	34
M	1336 5473	o	1336 5127	24	28
N	1336 5481	:	1336 4310	28	24
O	1336 5598	/6	1336 4625	37	33
P	1336 5465	/8	1336 4633	16	37
Q	1336 5820	1/	1336 4757	27	1
R	1336 5432	4/	1336 4575	38	13
S	1336 5648	7/	1336 4658	21	6
T	1336 5614	5/	1336 4609	1	17
U	1336 5671	X	1336 5697	5	25
V	1336 5457	14/	1336 4641	30	16
W	1336 5549	2/	1336 4724	7	5
X	1336 5507	12/	1336 4690	3	8
Y	1336 5655	+	1336 4344	39	21
Z	1336 5499	11/	1336 4708	40	4
0	1336 5796	)	1336 4799	25	39
1	1336 5705	*	1336 4351	32	3
2	1336 5713	"	1336 5101	9	7
3	1336 5721	#	1336 4518	23	11
4	1336 5739	\$	1336 4500	29	15
5	1336 5747	%	1336 4765	13	19
6	1336 5754	-	1336 4385	10	23
7	1336 5762	&	1336 4369	12	27
8	1336 5770	;	1336 5119	6	31
9	1336 5788	(	1336 4799	35	35
.	1336 4286	£	1336 4294	11	36
,	1336 4401	?	1336 4302	41	32
;	1336 4393	¢	1336 4807	15	38
@	1336 4047	1/4	1336 4781	36	41
-	1336 4476	1/2	1336 4815	17	42
/	1336 4831	3/4	1336 4823	18	40

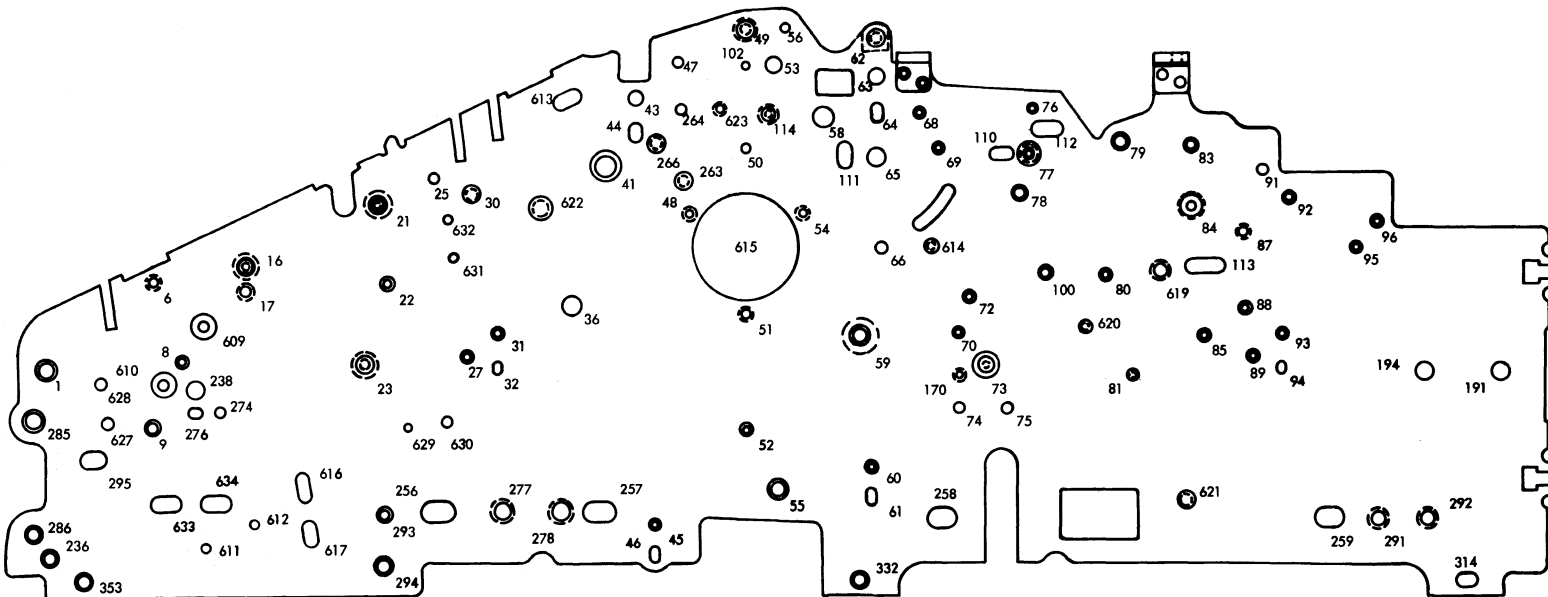
Side Frames

**RIGHT SIDE FRAME - HOLE LOCATION CHART (PLATE VI-1)**

(For Reference Only)

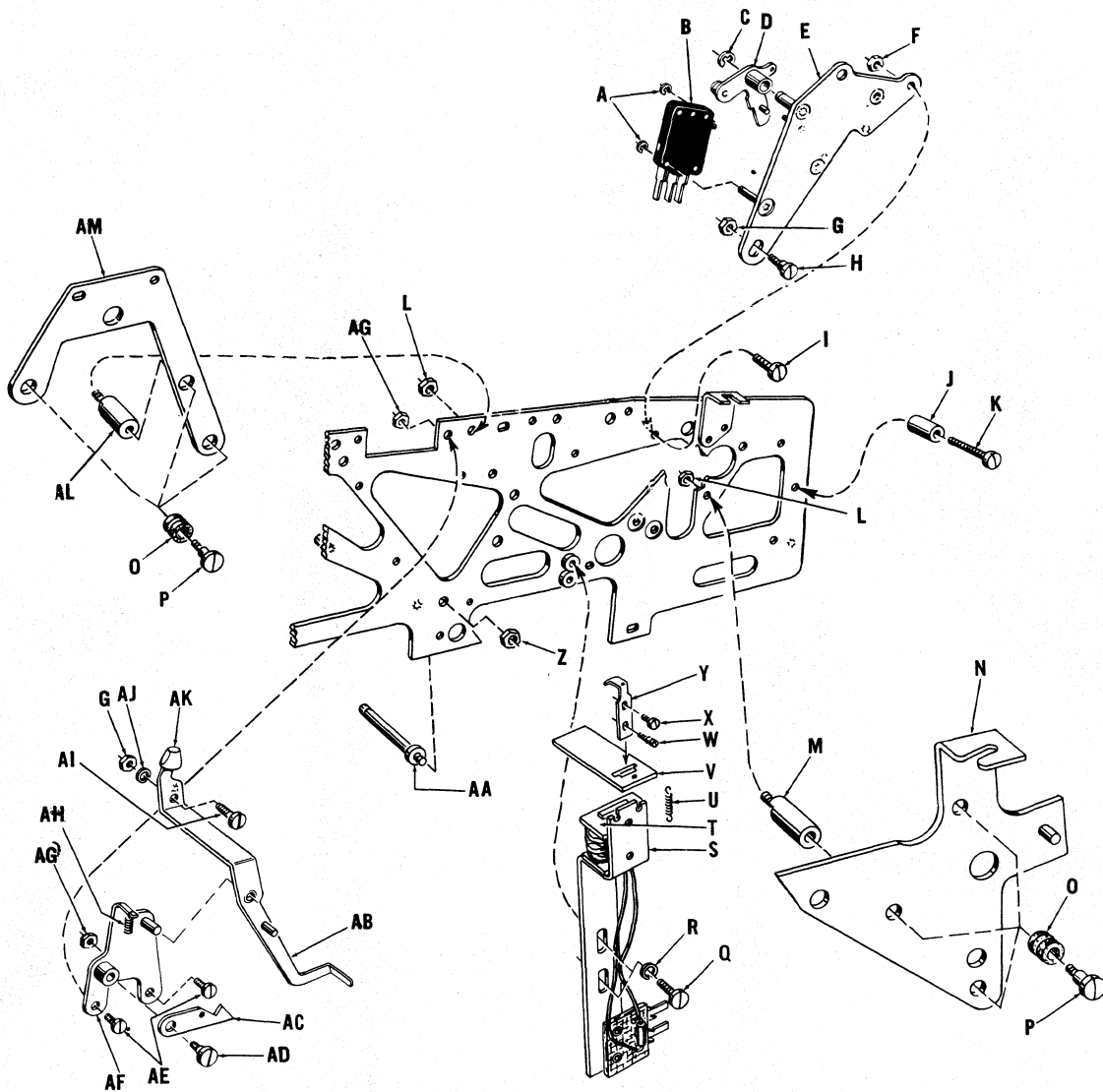


AUXILIARY RIGHT SIDE FRAME



RIGHT SIDE FRAME

AUXILIARY RIGHT SIDE FRAME (PLATE VI-2)

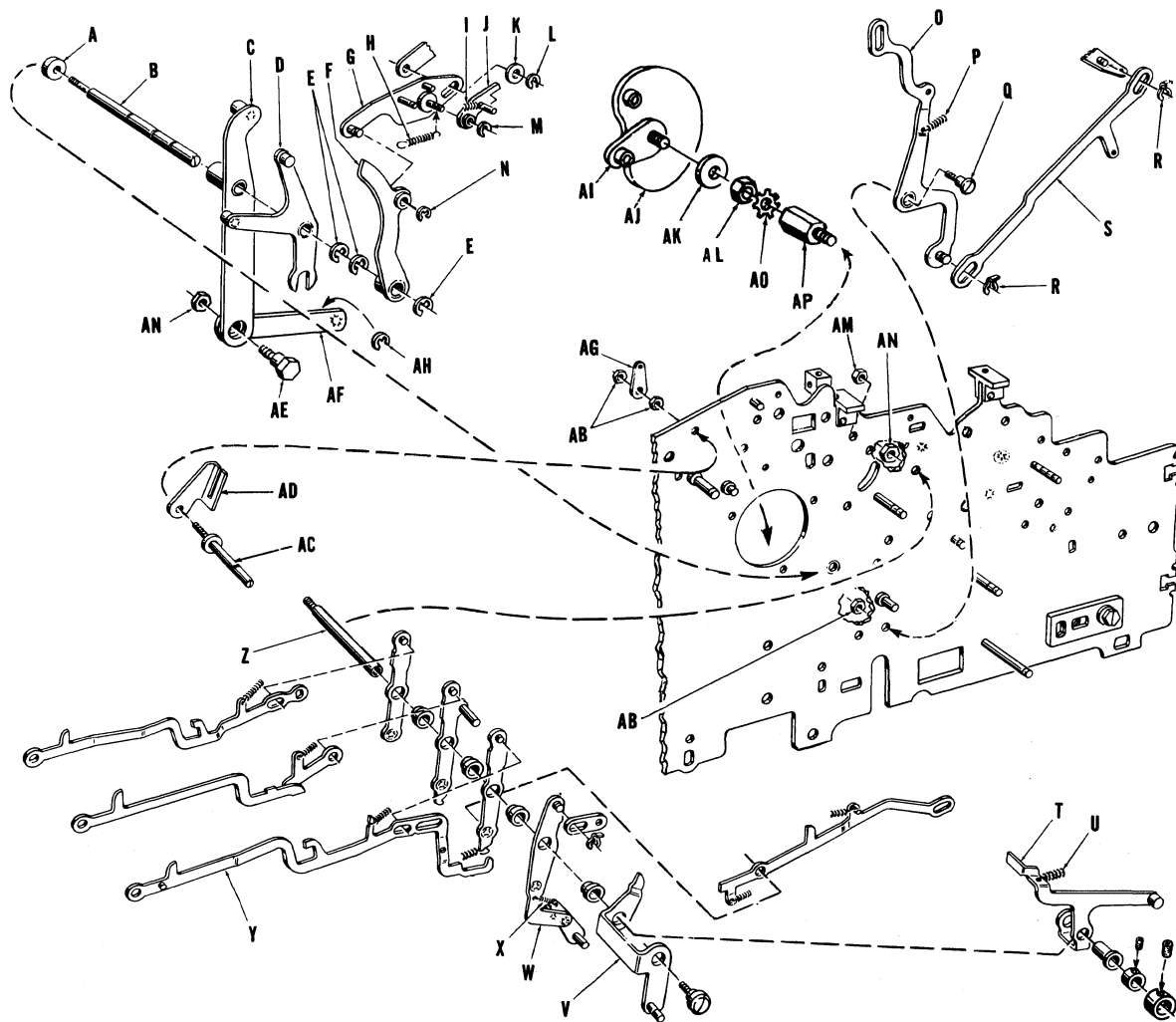


PART NUMBERS (PLATE VI-2)

A	1255 3103	clip	P	1341 9098	screw	AB	1511 1602	lever
B	1341 1848	switch	Q	1256 0850	screw	AC	1511 1594	detent
C	1255 3152	clip	R	1256 7442	lockwasher	AD	1010 9569	screw
D	1510 6933	latch	S	1511 2253	bracket, includes T thru Y	AE	1256 0686	screw
E	1510 6958	plate	T	1326 1706	coil, included in S	AF	1522 6400	plate
F	1256 5248	nut	U	1026 9751	spring, included in S	AG	1256 5230	nut
G	1256 5263	nut	V	1510 5992	clapper, included in S	AH	1026 3440	spring
H	1018 0164	screw	W	1028 8777	spring stud, included in S	AI	1256 1098	screw
I	1256 0892	screw	X	1303 1372	screw, included in S	AJ	1256 7459	lockwasher
J	1341 9411	spacer	Y	1326 3108	retainer, included in S	AK	1331 4026	key button
K	1256 1536	screw	Z	1010 0386	nut	AL	1341 9064	screw stud
L	1010 0337	nut	AA	1304 2338	stud	AM	1326 1102	bracket, includes O
M	1341 9023	screw stud						
N	1511 1271	bracket, includes O						
O	1341 9106	grommet, included in N, AM						

Side Frames

MOTOR BAR LINKS (PLATE VI-3)

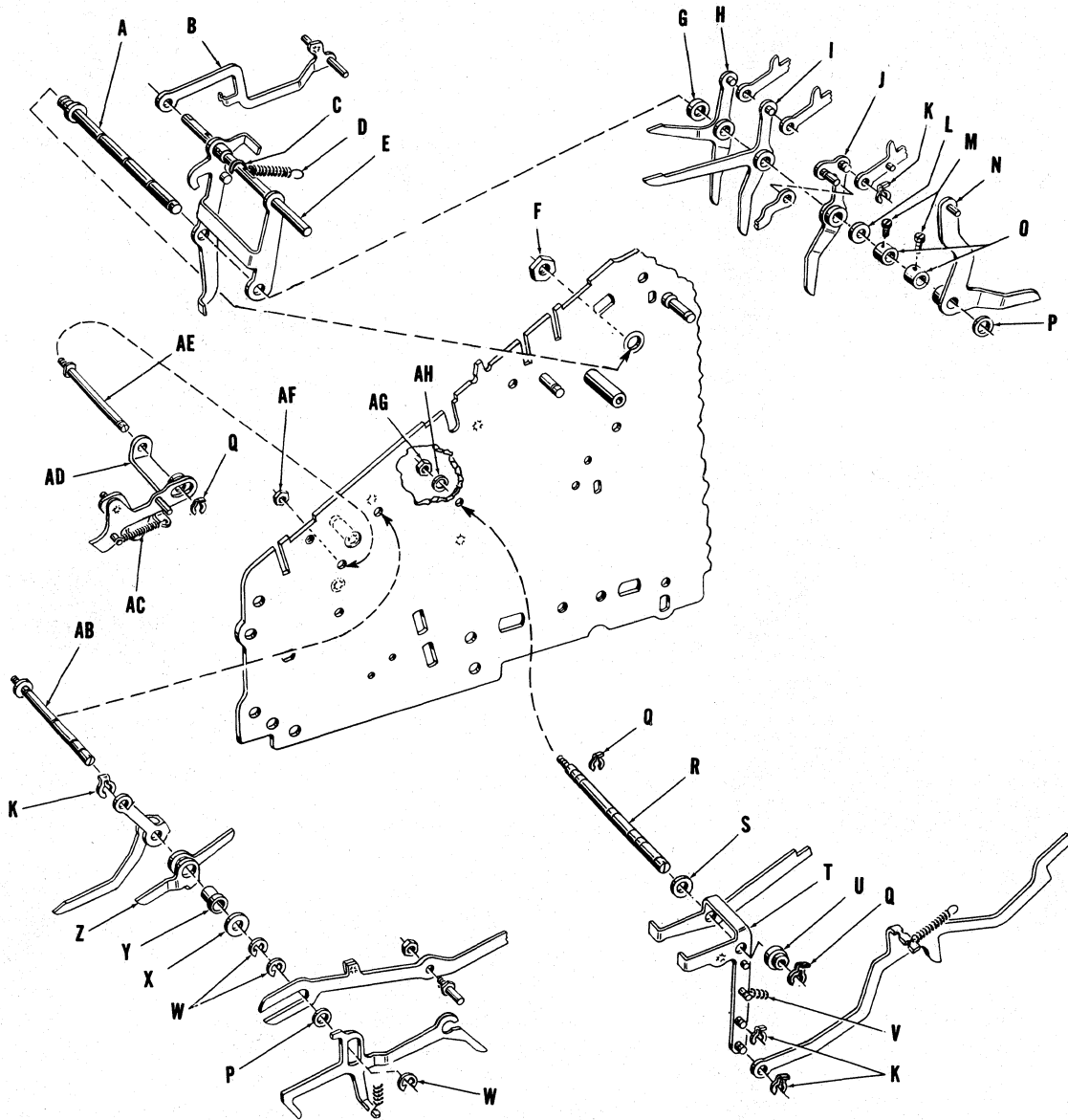


PART NUMBERS (PLATE VI-3)

A	1303 9904	spacer	O	1510 6909	link	AD	1326 5426	guide
B	1510 7485	post, use 1256 7459 lockwasher, 1010 0402 nut	P	1027 2870	spring	AE	1510 9325	screw
C	1510 9309	actuating arm	Q	1010 9205	screw	AF	1510 9333	link
D	1510 9168	cam follower	R	1010 0220	clip	AG	1026 6377	spring anchor
E	1255 3160	clip	S	1303 8286	link	AH	1255 3152	clip
F	1510 7493	arm	T	1325 5153	arm	AI	1510 7535	actuator arm
G	1510 7444	slide	U	1027 2748	spring	AJ	1510 7089	cam
H	1303 2248	spring	V	1510 1363	bail	AK	1301 0079	recessed spacer
I	1012 0335	spring	W	1510 1371	lever	AL	1010 9940	nut
J	1510 7469	latch	X	1307 3002	spring	AM	1010 0360	nut
K	1010 8736	(.040") washer	Y	1325 2119	link	AN	1010 0402	nut
L	1010 0147	clip	Z	1325 4396	post	AO	1337 2263	lockwasher
M	1255 3129	clip	AB	1010 0378	nut	AP	1339 1065	extension nut
N	1300 1490	clip	AC	1339 1073	post, series E2100, E4000			
				1527 0523	post, series E6000			

Side Frames

DRIVE TRIP AND REPEAT BELLCRANKS (PLATE VI-4)

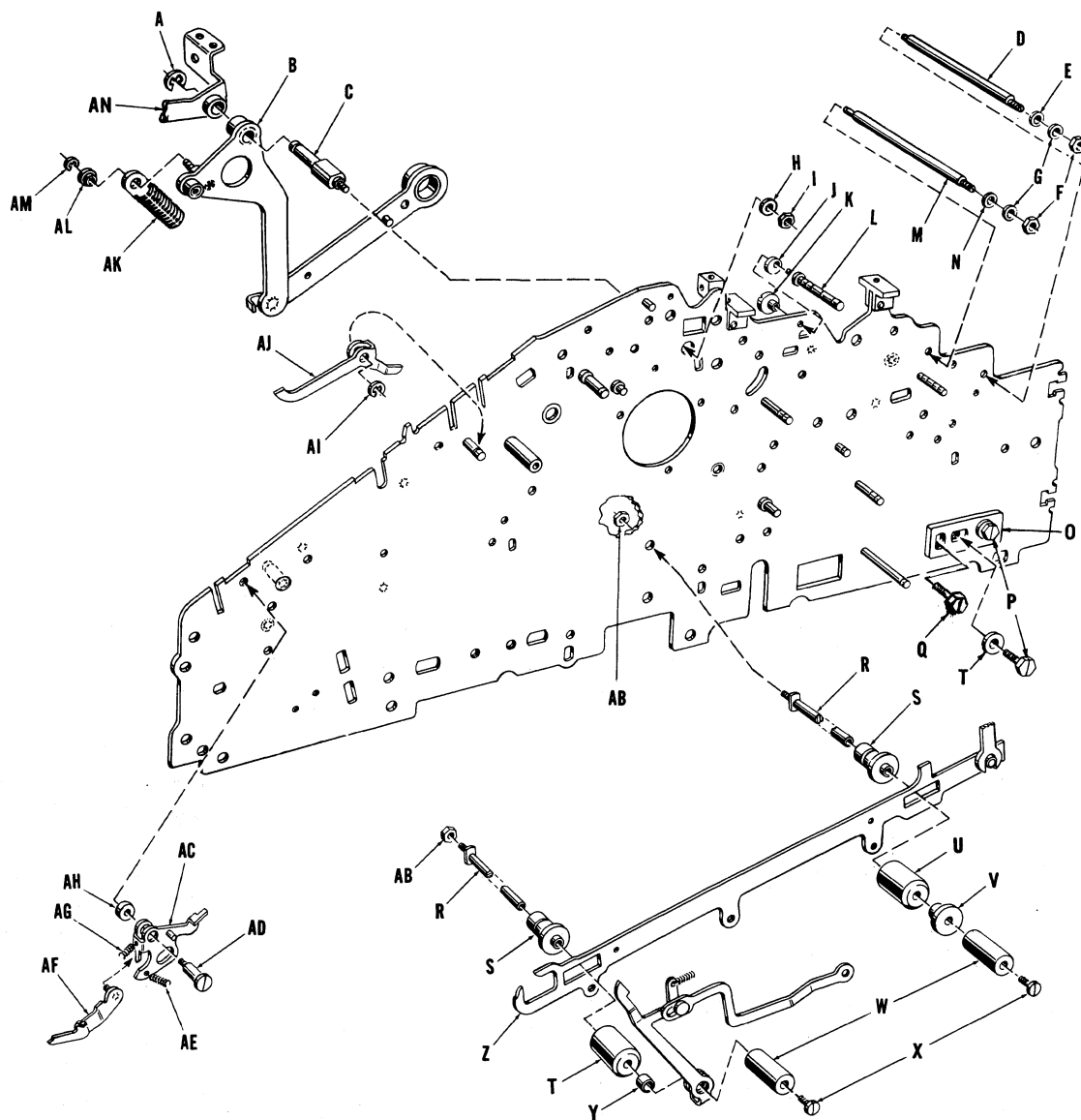


PART NUMBERS (PLATE VI-4)

A	1510 3583	post	J	1303 8724	bellcrank, series E2100, E4000	U	1342 7315	flanged collar
B	1303 9433	link		1527 0234	bellcrank, series E6000	V	1510 7402	spring
C	1026 6351	spring anchor				W	1255 3152	clip
D	1340 8984	spring				X	1303 9854	spacer
E	1511 7294	restoring shaft assembly	K	1010 0220	clip	Y	1342 7455	collar
F	1342 8271	nut	L	1337 5365	spacer	Z	1324 6087	lever
G	1337 2347	spacer	M	1025 6162	setscrew, included in O	AB	1510 9044	post
H	1303 8765	bellcrank, series E2100, E4000	N	1510 9226	bellcrank	AC	1013 9350	spring
	1527 0218	bellcrank, series E6000	O	1342 7794	set collar, includes M	AD	1510 9010	slide assembly
I	1303 8799	bellcrank, series E2100, E4000	P	1307 1964	spacer	AE	1304 1181	post
	1527 0226	bellcrank, series E6000	Q	1010 0238	clip	AF	1010 0378	nut
			R	1325 4123	post	AG	1010 0360	nut
			S	1012 8221	spacer	AH	1256 7442	lockwasher
			T	1510 8996	bail			

Side Frames

ACCUMULATION CONTROLS (PLATE VI-5)

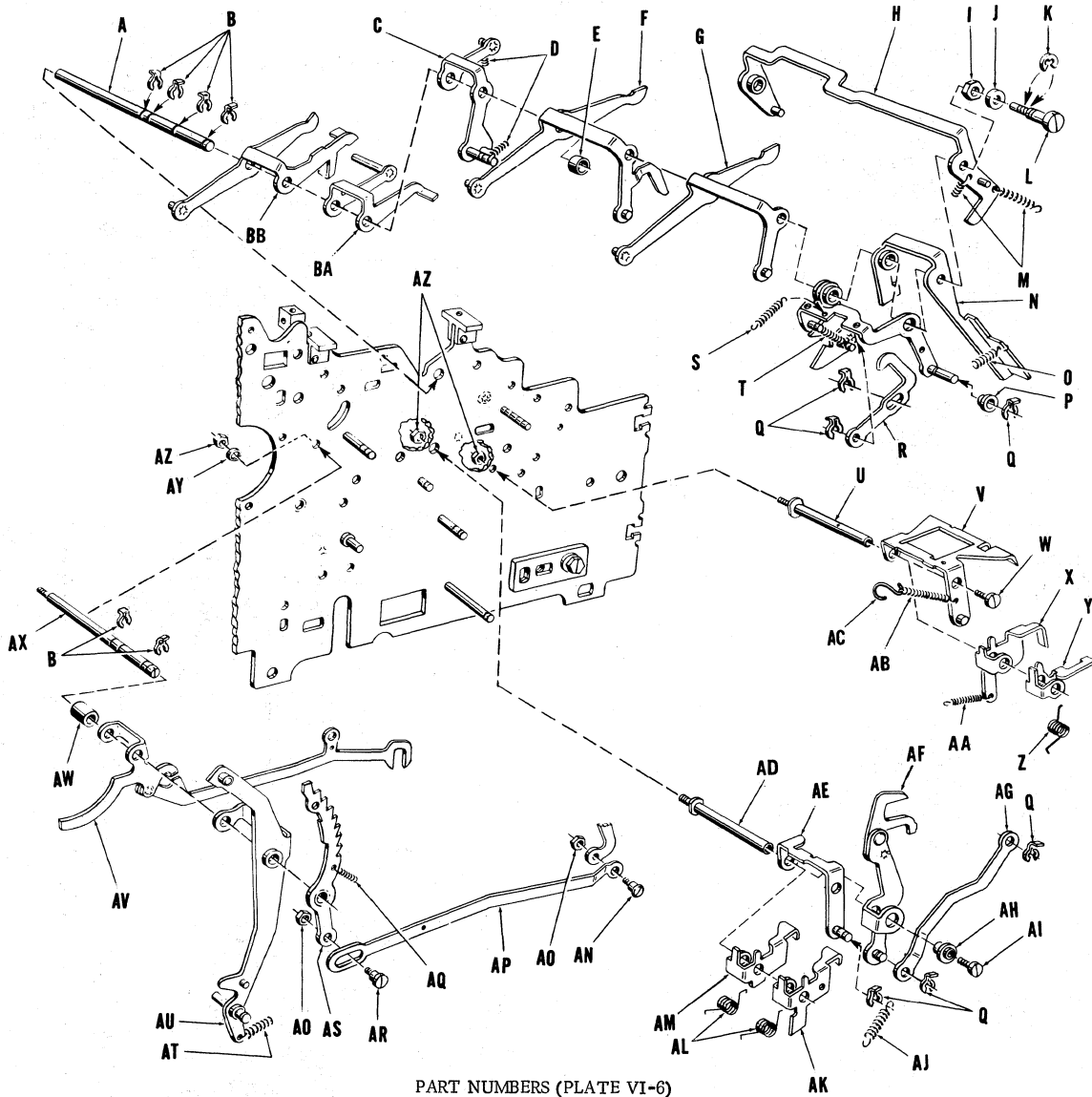


PART NUMBERS (PLATE VI-5)

A	1255 3178	clip	N	1337 9185	bushing	AB	1010 0428	nut
B	1510 3641	drive arm assembly	O	1510 9341	locating plate	AC	1510 9002	rocker
C	1510 3716	post	P	1257 3051	screw	AD	1304 1538	screw
D	1340 2532	eccentric post	Q	1321 6551	screw	AE	1044 2622	spring
E	1337 9193	bushing	R	1304 0845	post	AF	1303 8377	pawl
F	1010 0360	nut	S	1510 4151	spacer	AG	1013 3114	spring
G	1010 4164	washer	T	1256 8044	washer	AH	1010 6011	spacer
H	1256 7467	lockwasher	U	1510 4169	spacer	AI	1255 3152	clip
I	1010 0337	nut	V	1304 0738	spacer	AJ	1303 5928	lever
J	1344 4625	eccentric washer	W	1510 4185	spacer	AK	1510 9465	spring
K	1342 8354	round nut	X	1010 8983	screw	AL	1510 6701	bushing
L	1340 0411	flanged post	Y	1510 4177	spacer	AM	1300 1490	clip
M	1340 2524	eccentric post	Z	1510 3575	slide	AN	1510 3732	support bracket

Side Frames

SPACING AND HAMMER BLOCK CONTROLS (PLATE VI-6)



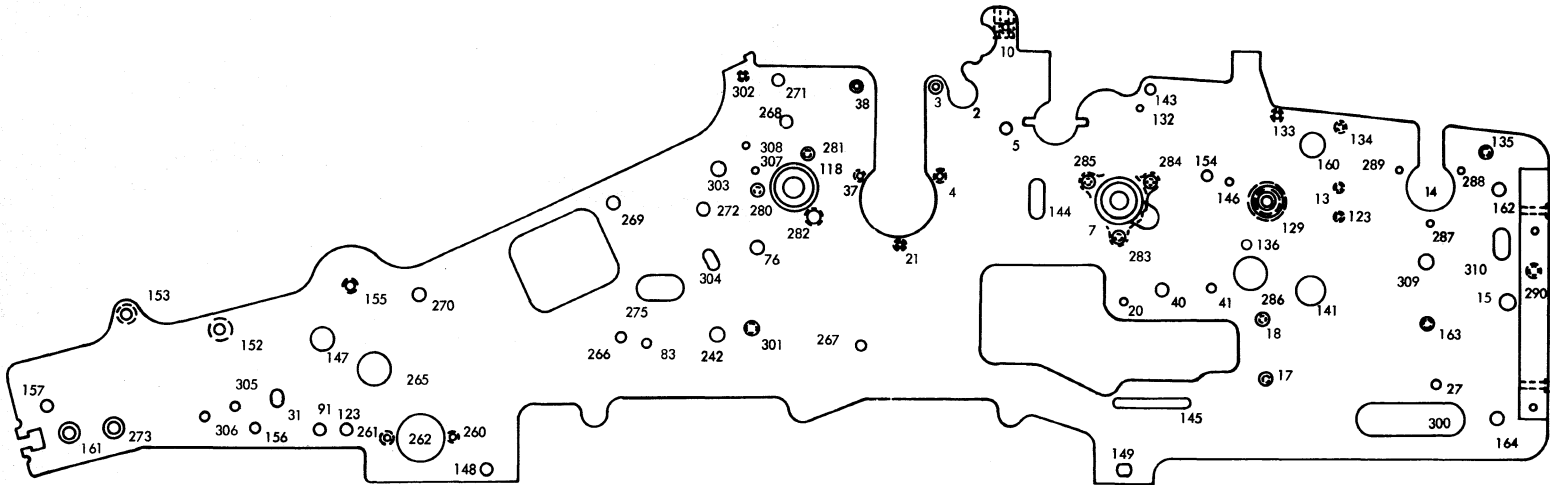
PART NUMBERS (PLATE VI-6)

A	1303 4228	shaft	S	1027 6392	spring	AK	1510 1447	latch, lane 5
B	1010 0238	clip	T	1027 2979	spring	AL	1510 1439	spring
C	1303 7668	bail	U	1304 1579	post	AM	1510 1470	latch
D	1027 6160	spring	V	1510 1322	latch plate	AN	1340 2896	screw
E	1304 0670	sleeve	W	1010 8991	screw	AO	1010 0469	nut
F	1303 7684	bail	X	1510 1330	latch plate	AP	1303 8567	link
G	1303 7700	bail	Y	1325 5120	latch plate	AQ	1307 2970	spring
H	1510 6982	bail	Z	1343 0814	spring	AR	1340 1765	screw
I	1256 5289	nut	AA	1026 9769	spring	AS	1325 2416	indexer
J	1256 7467	lockwasher	AB	1026 9892	spring	AT	1026 3531	spring
K	1255 3137	clip	AC	1026 6351	spring anchor	AU	1523 6664	bail
L	1510 7014	screw	AD	1304 1579	post	AV	1510 7501	bail assembly
M	1026 9769	spring	AE	1510 1454	bail	AW	1304 0449	space collar
N	1510 6990	bail	AF	1324 7796	bail assembly	AX	1325 4040	post
O	1340 9339	spring	AG	1303 7882	link	AY	1256 7442	lockwasher
P	1342 7489	collar	AH	1342 7471	spacer	AZ	1010 0360	nut
Q	1010 0220	clip	AI	1026 0651	screw	BA	1303 7742	bail
R	1303 9805	link	AJ	1028 8405	spring	BB	1303 7726	bail

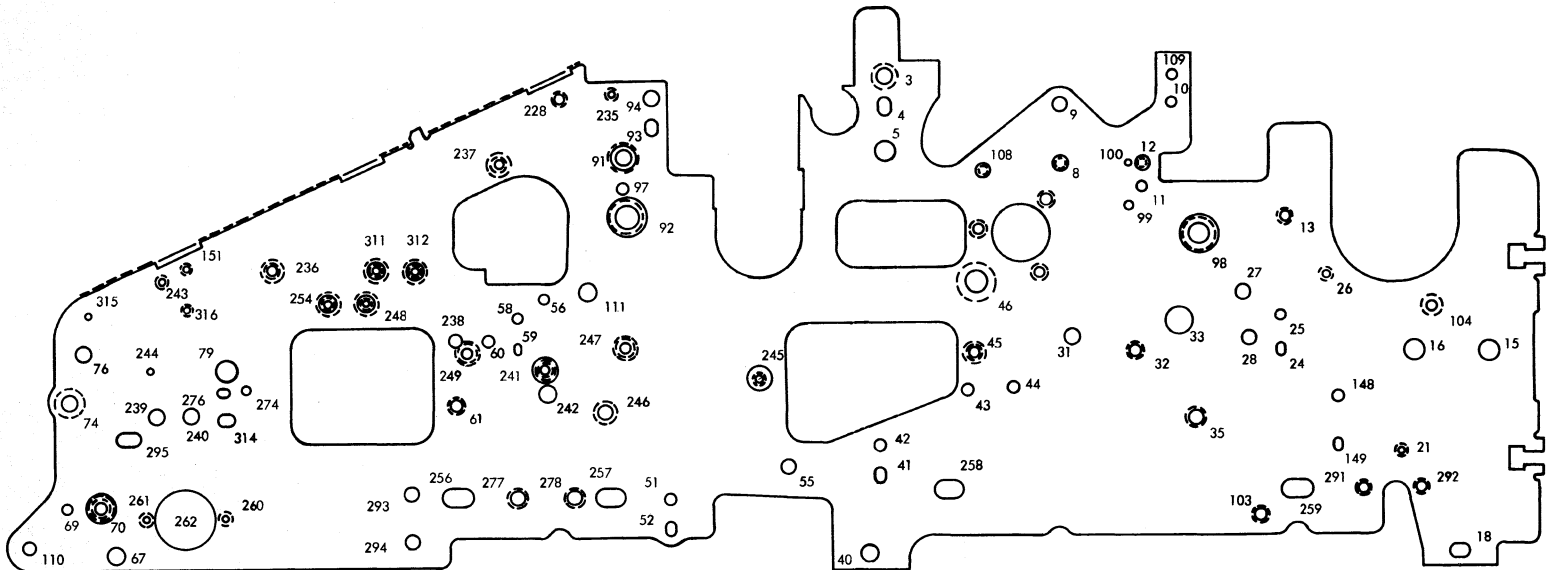
Side Frames

LEFT SIDE FRAME - HOLE LOCATION CHART (PLATE VI-7)

(For Reference Only)



AUXILIARY LEFT SIDE FRAME

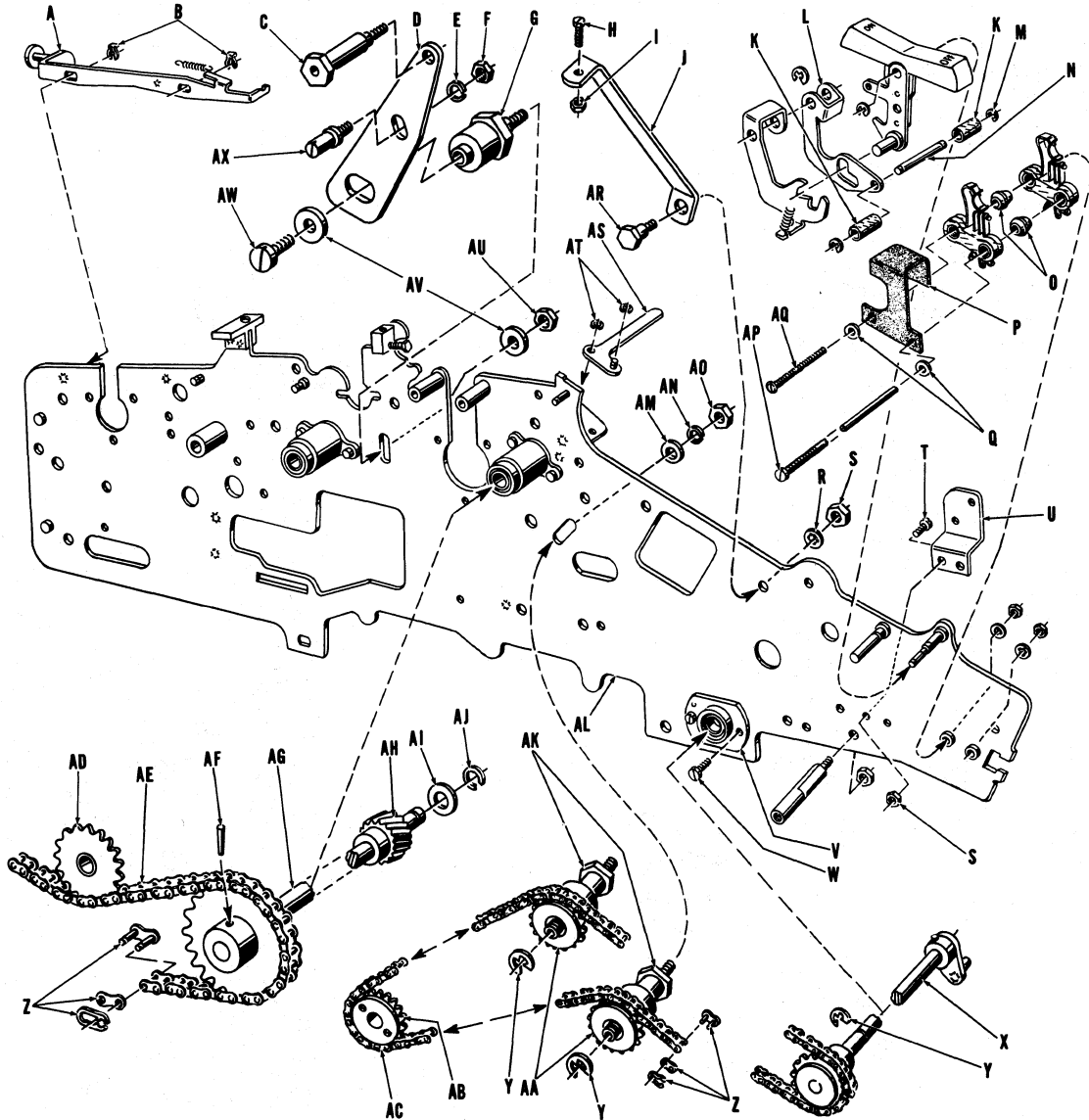


LEFT SIDE FRAME



Side Frames

AUXILIARY LEFT SIDE FRAME (PLATE VI-8)



PART NUMBERS (PLATE VI-8)

A	1510 9085	slide	N	1510 9218	shaft	AC	1511 2188	chain
B	1010 0220	clip	O	1510 9192	spacer	AD	1512 0215	sprocket
C	1338 9218	tapped post	P	1511 2055	insulating shield	AE	1510 9481	chain
D	1326 6234	mounting plate	Q	1256 8010	washer	AF	1256 8846	pin, included in AG
E	1256 7467	lockwasher	R	1256 7442	lockwasher	AG	1527 3030	drive sprocket assembly, includes AF, AH
F	1010 0345	nut	S	1256 5248	nut	AH	-- --	included in AG, includes 1010 0493 pin
G	1338 9226	shoulder post	T	1010 4198	screw	AI	1341 2812	thrust washer
H	1012 0178	screw, use 1256 7723	U	1502 2452	bracket	AJ	1337 2370	clip
I	1010 0378	nut	V	1328 7743	bearing and housing assembly	AK	1511 2097	pivot stud
J	1502 2486	bracket (shown)	W	1340 3845	screw	AL	1526 6299	auxiliary left side frame
	1527 1174	bracket, top position, series E6000	X	1511 5975	drive shaft assembly	AM	1010 4446	washer
K	1341 7381	roller	Y	1255 3178	clip			
L	1510 9200	switch actuator	Z	1502 3732	connecting link			
M	1255 3137	clip	AA	1511 2071	sprocket			
			AB	1511 2063	sprocket			

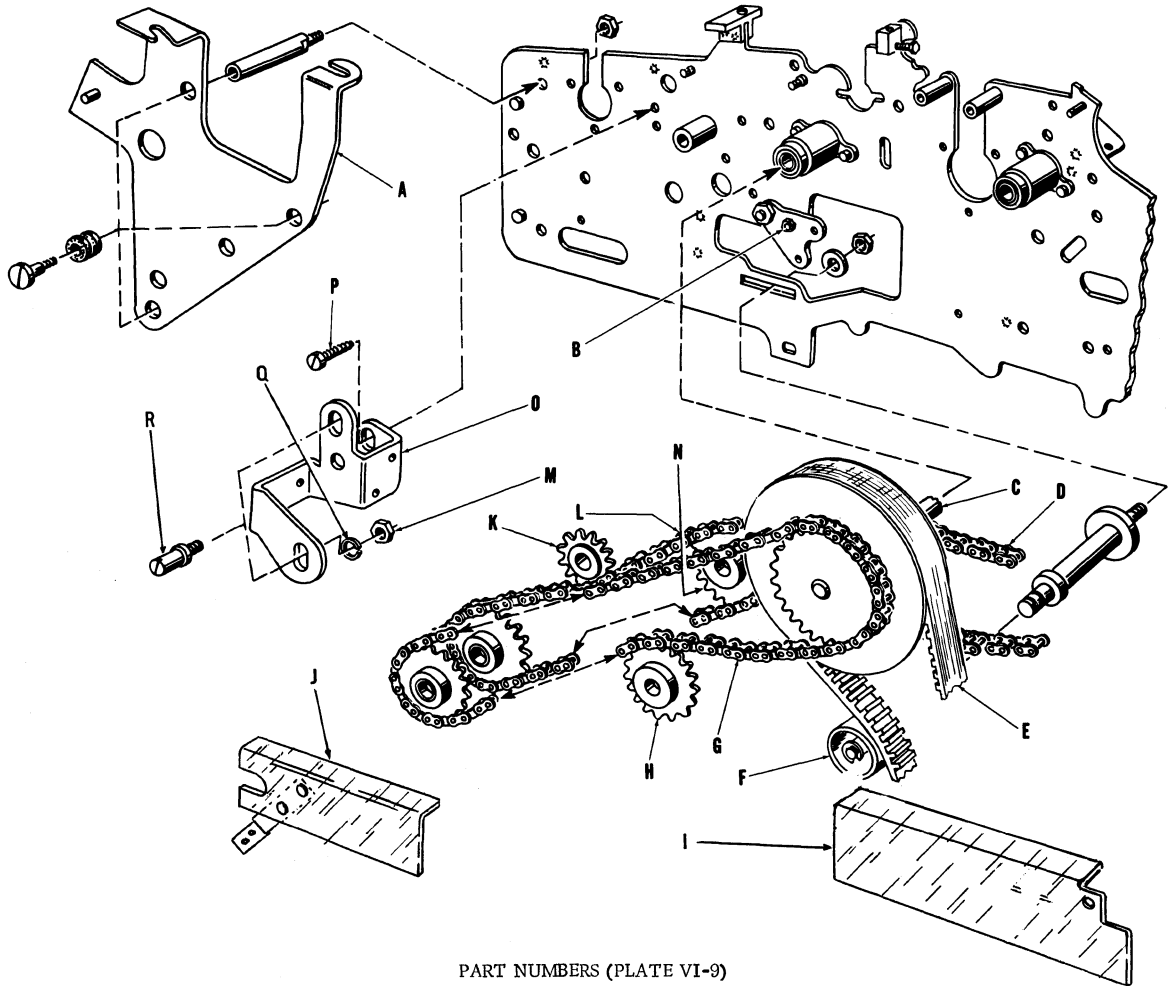
PART NUMBERS CONTINUED ON NEXT PAGE

Side Frames

PART NUMBERS (PLATE VI-8) CONTINUED

AN	1256 7459	lockwasher	AS	1502 2445	bellcrank	AU	1256 5289	nut
AO	1256 5263	nut		1523 7480	bellcrank for upper	AV	1256 8044	washer
AP	1256 0785	screw			case characters with	AW	1257 2483	screw
AQ	1256 0785	screw			TTM	AX	1340 6046	flanged screw
AR	1340 3696	screw	AT	1255 3129	retaining clip			

MAIN CAMSHAFT DRIVE (PLATE VI-9)

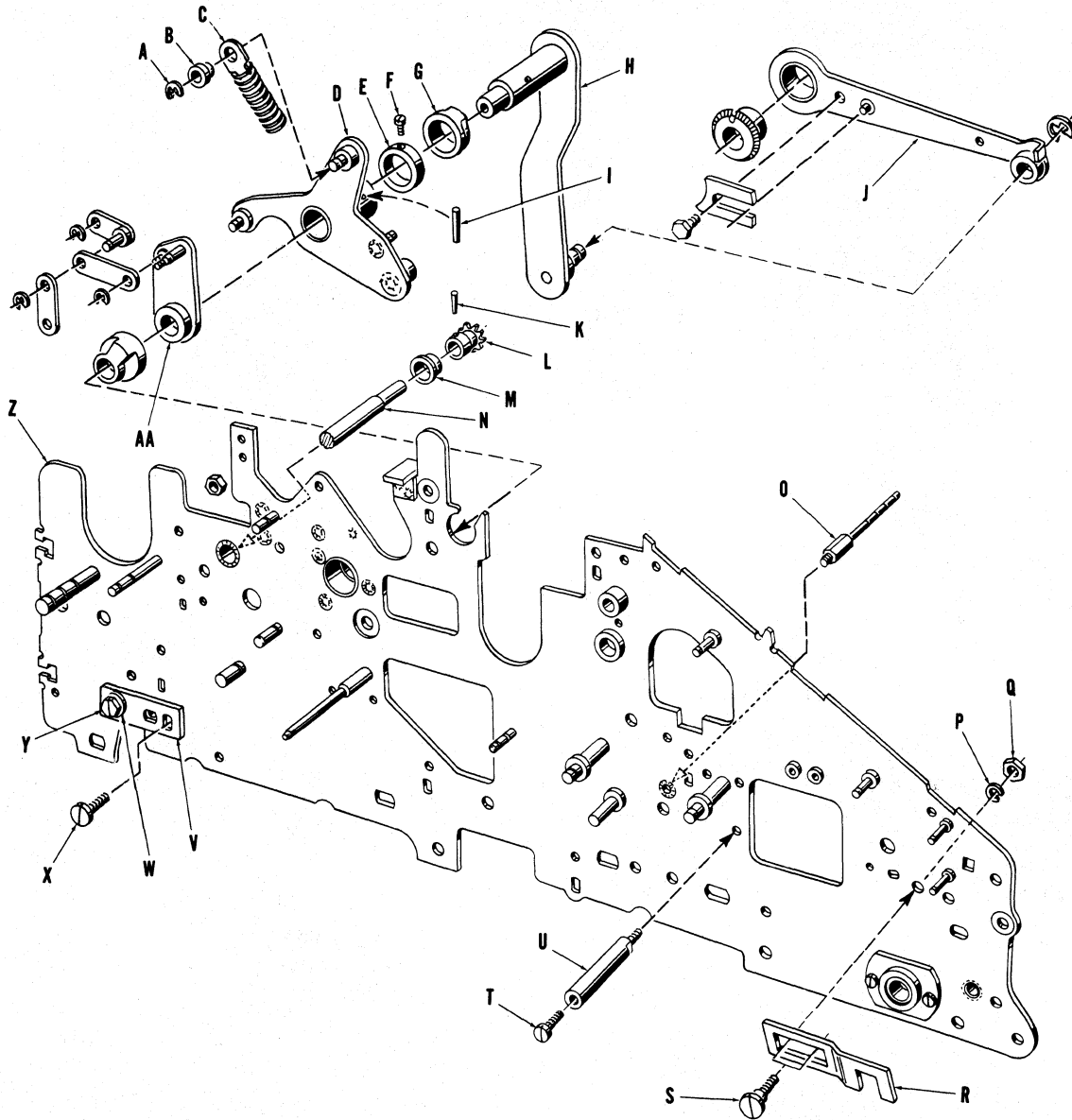


PART NUMBERS (PLATE VI-9)

A	1511 1263	mounting bracket	G	1338 5489	chain	L	1338 5463	chain
B	1010 0386	nut, use 1015 2213	H	1512 0215	sprocket	M	1010 0345	nut
		screw	I	1522 1195	front chain guard	N	1512 0140	carriage opening
C	1502 5133	main clutch and		1523 2846	front chain guard	O	1326 0435	idler bracket
		camshaft drive			without TTM	P	1010 4305	screw
		assembly			with TTM	Q	1256 7467	lockwasher
D	1510 9481	chain	J	1502 4656	rear chain guard	R	1340 6046	flanged screw
E	1338 5455	belt	K	1512 0173	sprocket			
F	1341 7738	idler pulley, use						
		1300 1417 clip						

Side Frames

LEFT SIDE FRAME (PLATE VI-10)

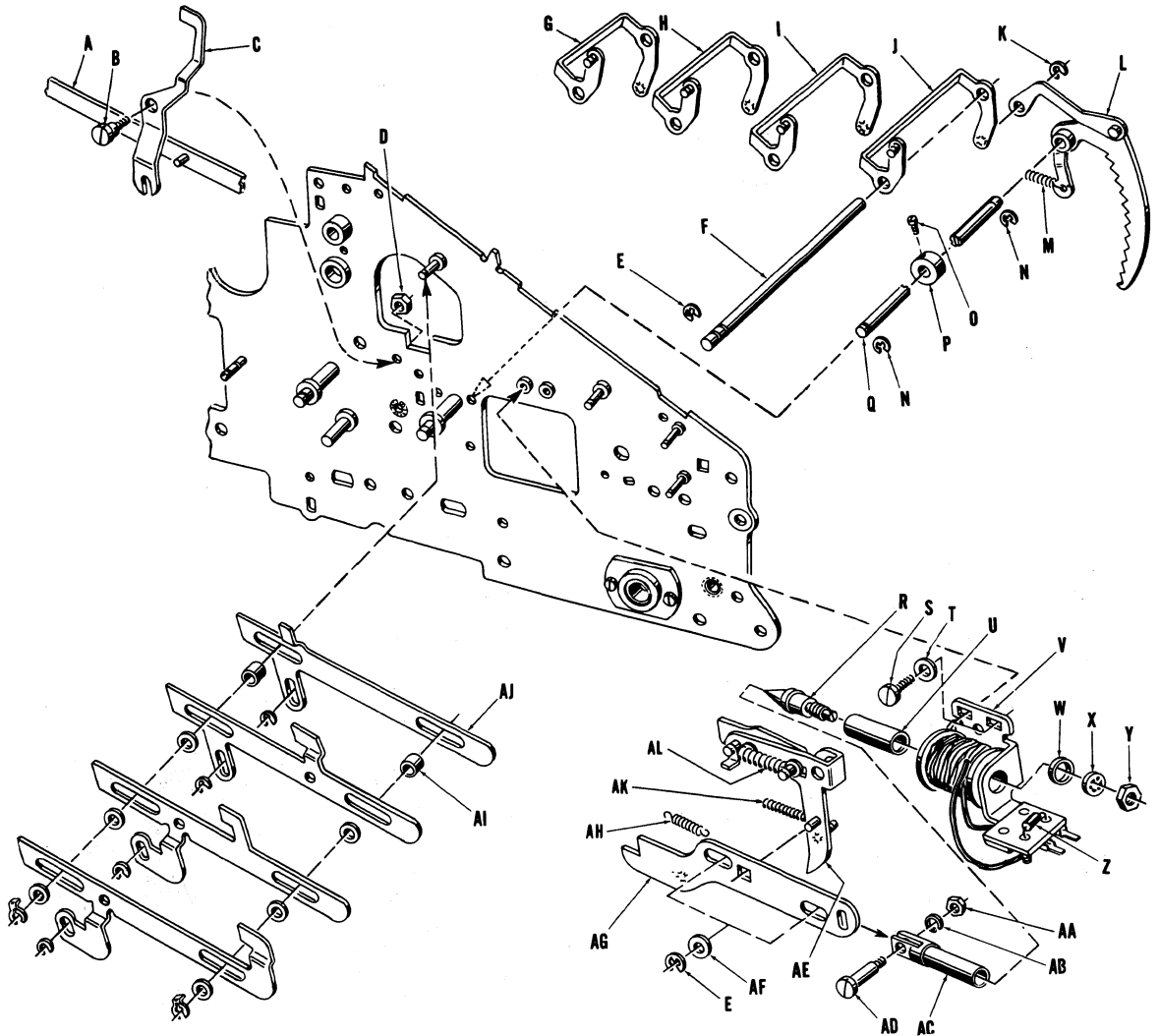


PART NUMBERS (PLATE VI-10)

A	1255 3145	clip	O	1510 6602	spring stud
B	1510 6701	bearing	P	1256 7434	lockwasher
C	1510 9465	spring	Q	1256 5230	nut
D	1510 3740	follower arm assembly, includes E, G, H, I	R	1510 9143	limit
E	1510 3823	set collar, included in D	S	1026 0677	screw
F	1028 8850	setscrew	T	1010 6706	screw
G	1510 3815	bearing, included in D	U	1511 6726	post, use 1010 0410 nut
H	-- --	included in D	V	1510 9341	locating plate
I	1338 8236	pin, included in D	W	1256 8044	washer
J	1511 1974	drive arm	X	1340 5469	screw
K	1256 8721	pin, included in N	Y	1257 3051	screw
L	-- --	included in N	Z	1522 8406	left side frame
M	1337 9987	bushing	AA	1510 3831	ribbon spacing arm
N	1512 0140	carriage open and close and vertical space shaft			

Side Frames

ROTARY DATE CONTROLS (PLATE VI-11)



PART NUMBERS (PLATE VI-11)

A	1522 6913	trip link	P	1015 4920	collar, includes O
B	1510 6891	trip link, series E2100 non-stripe ledger	Q	1510 6537	shaft
C	1340 3118	shoulder screw	R	1326 1516	adjusting screw, included in V
D	1510 6750	interlock, series E2100, E4000	S	1316 5089	screw, use 1256 7459 lockwasher
E	1523 3091	interlock, series E6000	T	1256 8028	washer
F	1010 0360	nut	U	1511 6205	solenoid sleeve, included in V
G	1255 3152	clip	V	1523 4123	solenoid assembly, series E2100 stripe ledger and all series B4000, E6000, includes R, U, X thru Z
H	1510 6594	shaft		1510 4532	solenoid assembly, series E2100 non-stripe ledger, includes R, U, X thru Z
I	1510 6578	bail (years)	W	1028 7514	washer, included in V
J	1510 6560	bail (unit of days)	X	1010 4370	lockwasher, included in V
K	1510 6552	bail (tens of days)	Y	1256 5289	nut, included in V
L	1510 6545	bail (months)	Z	1340 2656	diode, included in V
M	1010 0154	clip	AA	1010 0386	nut
N	1510 6511	sector indexer			
O	1340 9826	spring			
	1255 3145	clip			
	1010 8967	screw, included in P			

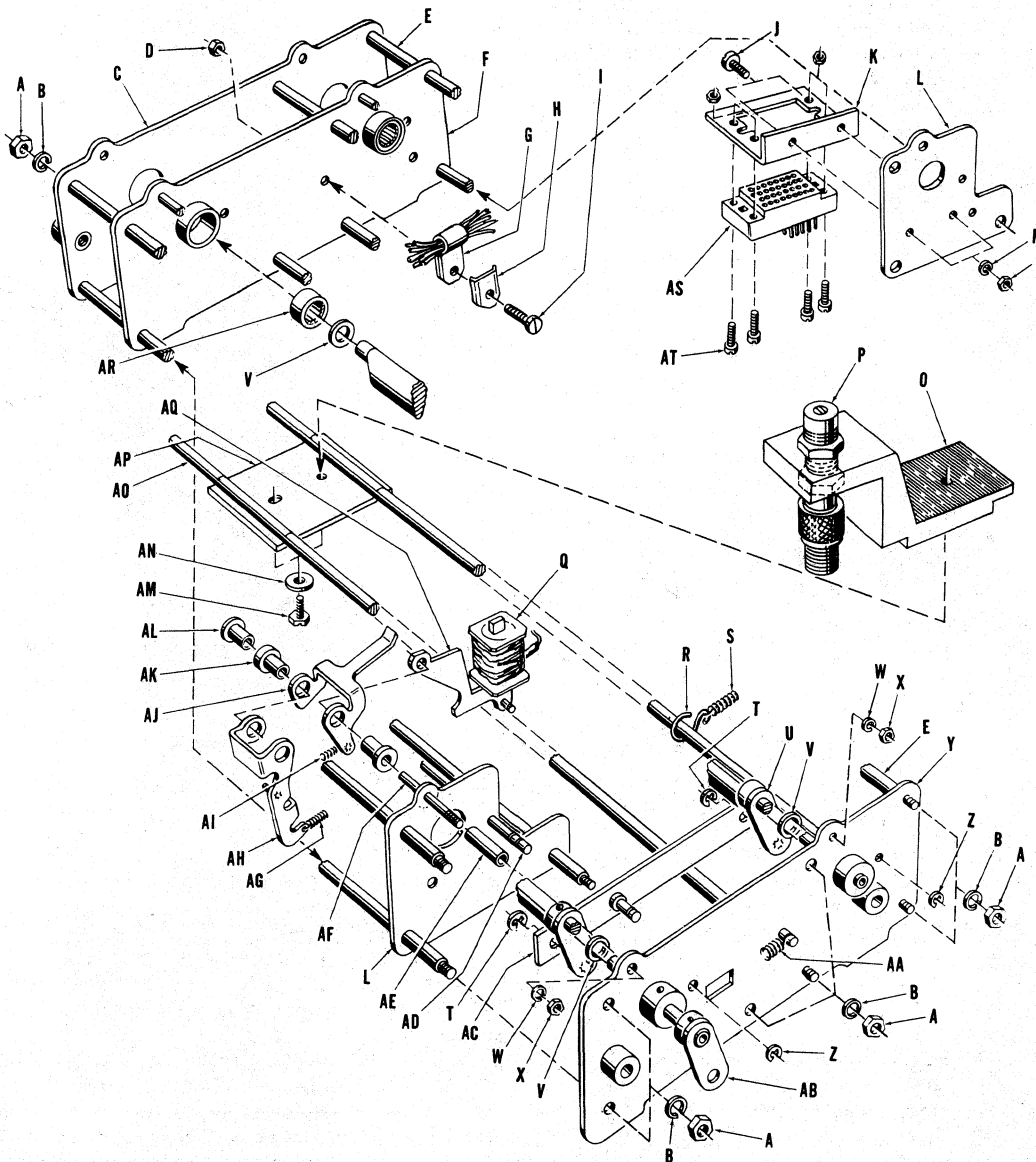
PART NUMBERS CONTINUED ON NEXT PAGE

Side Frames

PART NUMBERS (PLATE VI-11) CONTINUED

AB	1256 7434	lockwasher	1510 7188	slide actuator, series E2100 non-stripe ledger	
AC	1510 4540	plunger	AH	1013 9350	spring
AD	1010 5674	screw	AI	1010 6441	spacer
AE	1526 8253	arm	AJ	1510 6586	years slide
AF	1337 1497	washer	AK	1027 7440	spring
AG	1522 6954	slide actuator, series E2100 stripe ledger and all E4000, E6000	AL	1510 7105	spring

READ-IN UNIT (PLATE VI-12)

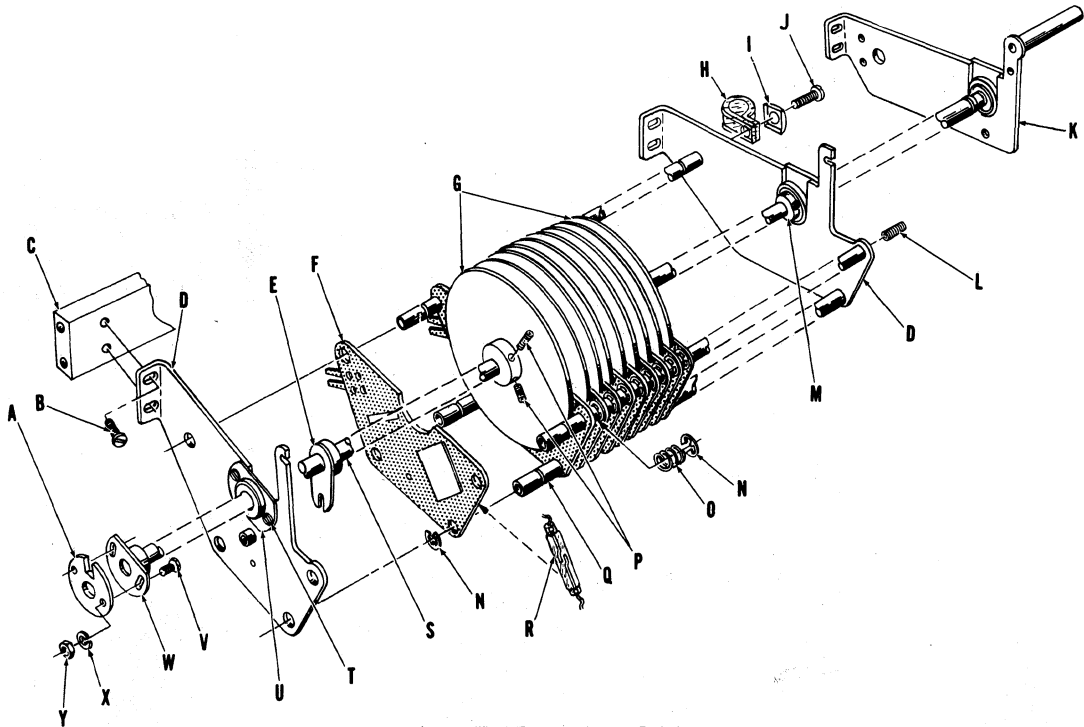


Side Frames

PART NUMBERS (PLATE VI-12)

1522 1146	complete read-in unit, series E2100, E4000	N	1010 0378	nut	AG	1340 8877	spring
1527 1984	complete read-in unit, series E6000, does not include O, P, AM, AN, AP	O	1510 6339	bracket	AH	1511 2246	clapper-reset arm
A	1342 8362	P	1510 6032	magnetic pick-up	AI	1341 9742	spring
B	1256 7467	Q	1510 6313	coil	AJ	1510 6149	clapper
C	1510 6263	R	1026 6963	spring anchor	AK	1332 8828	single shoulder spacer (shown)
D	1010 0360	S	1013 9335	spring		1332 8810	double shoulder spacer
E	1510 6156	T	1255 3152	clip	AL	1332 8836	single shoulder spacer
F	1510 6271	U	1510 6297	rear reset bail	AM	1257 3010	screw
G	1323 9371	V	1028 7910	spacer	AN	1256 8044	washer
H	1337 2180	W	1256 7442	lockwasher	AO	1510 6123	main cross shaft
I	1256 0710	X	1256 5255	nut	AP	1510 6354	bracket
J	1010 9981	Y	1510 6230	right end frame	AQ	1510 6131	solenoid core
K	1511 7013	Z	1255 3145	clip	AR	1344 5630	bearing
L	1510 6115	AA	1027 2797	spring	AS	1511 7690	connector
M	1256 7442	AB	1510 6040	front reset bail	AT	1257 0511	screw, use 1256 5206 nut
		AC	1510 6289	transfer arm			
		AD	1510 6164	solenoid shaft, use 1255 3145 clips			
		AE	1510 6180	spacer			
		AF	1510 6172	clapper shaft			

TIMING SWITCH ASSEMBLY (PLATE VI-13)



PART NUMBERS (PLATE VI-13)

1522 5386	complete timing switch assembly, series E2000, E4000	C	1511 7401	mounting bar
1527 3204	complete timing switch assembly, series E6000	D	1511 2691	plate
A	1511 2634	E	-- --	included in S
B	1316 5204	F	-- --	See Timing Cam Disks and Circuit Cards
	1256 0868	G	-- --	See Timing Cam Disks and Circuit Cards
		H	1340 6434	cable clamp

PART NUMBERS CONTINUED ON NEXT PAGE

Side Frames

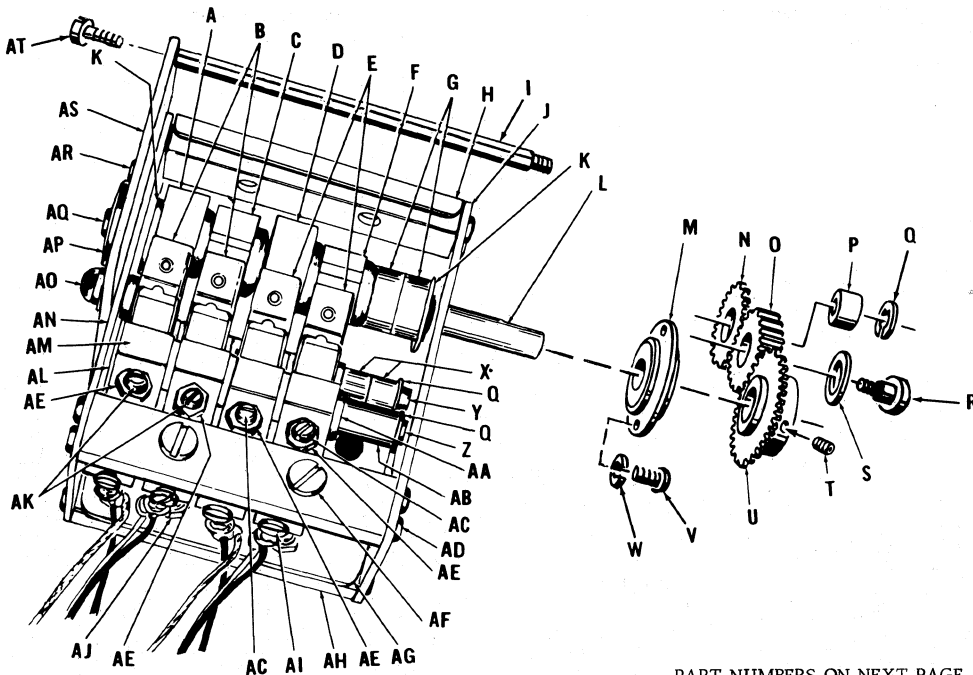
PART NUMBERS (PLATE VI-13) CONTINUED

I	1337 2180	washer	R	1511 2584	reed switch, included in F
J	1010 9981	screw	S	1511 7393	main timing shaft, includes E and W
K	1511 2659	plate	T	1340 3845	screw
L	1018 0248	screw	U	1328 7743	bearing and housing assembly
M	1048 4533	collar, includes 1010 9643 setscrew	V	1304 2775	screw
N	1255 3160	clip	W	-- --	included in S
O	1316 6749	spring	X	1256 7434	lockwasher
P	1511 2907	brass setscrew	Y	1010 0386	nut
Q	1511 7377	shaft			

TIMING CAM DISKS AND CIRCUIT CARDS (PLATE VI-14)

ELEC. REF.	PRINTED CIRCUIT CARD	TIMING CAM DISK	
		E2100-E4000	E6000
S661	1511 2535	1511 2725	1527 3188
S662	1511 2592	1511 2782	1522 2607
S663	1511 2535	1511 2808	1511 2808
S664	1511 2592	1511 2824	1511 2824
S665	1511 2535	1511 2840	1511 2840
S666	1511 2592	1511 2865	1511 2865
S667	1511 2535	1511 5942	1527 3196
S668	1511 2592	1522 2607	
S669	1511 2535	1522 2615	
S670	1511 2592	1511 2808	

ALPHA TIMING CAM UNIT ASSEMBLY (PLATE VI-15)



PART NUMBERS ON NEXT PAGE

Side Frames

## PART NUMBERS (PLATE VI-15)

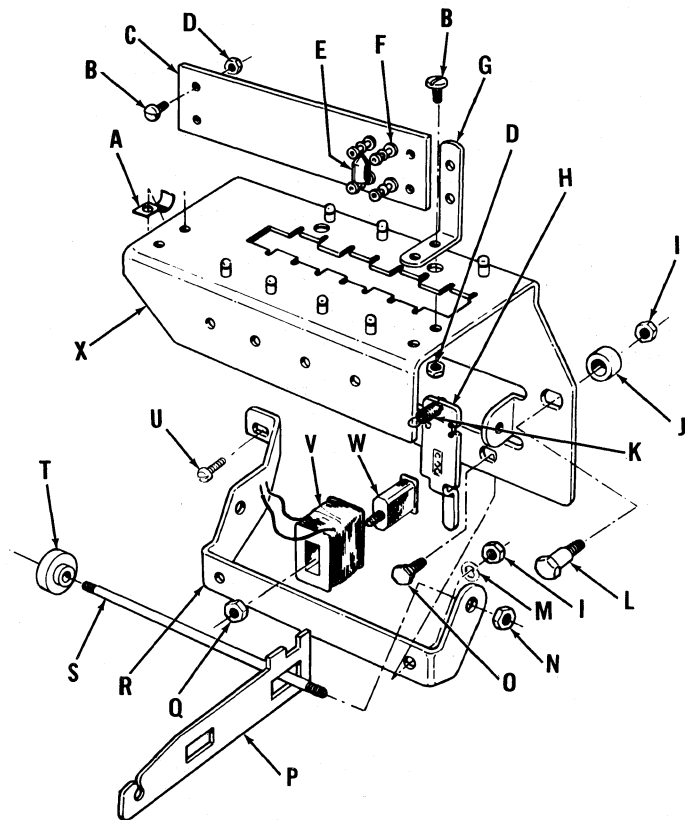
1526 6687	(shown) complete alpha timing cam unit assembly for P & PA and TTM, includes A thru H, J thru L, X thru AS, and 1522 0502 plastic window	Q	1255 3152	clip	
		R	1526 6273	shoulder screw, use 1344 5622 lockwasher, 1256 5263 nut, after serial F171821P	
1526 6703	complete alpha timing cam unit assembly for TTM, includes 1522 0502 plastic window	S	1337 1117	washer	
1526 6695	complete alpha timing cam unit assembly with P & PA without TTM, includes 1522 0502 plastic window	T	1255 8375	screw	
		U	1526 6240	gear	
			1523 6987	gear, between serial F167032P and serial F171822P	
A	1522 0445	cam, stamped 6, for P & PA machine	V	1340 3845	screw
B	1311 8492	switch for P & PA machine	W	1256 7434	lockwasher
C	1522 0452	cam, stamped 7, for P & PA machine	X	1337 8609	spacer
D	1522 6178	cam, stamped 8, for TTM machine	Y	1522 0551	shaft
E	1522 2573	switch for TTM machine	Z	1522 0569	shaft
F	1522 6186	cam, stamped 9, for TTM machine	AA	1337 8179	spacer
G	1337 8450	spacer	AB	1342 6911	spacer
H	1522 0478	cover	AC	1522 2581	contact screw, for TTM machine
I	1522 0395	standoff	AD	1025 8820	screw
J	1522 0486	right side plate	AE	1311 5670	nut
K	1255 3194	clip	AF	1256 1080	screw
L	1526 6257	timing camshaft	AG	1522 0460	support
	1523 6995	timing camshaft, between serial F167032P and serial F171822P	AH	1522 0510	tie bar
M	1522 0536	bearing housing assembly, includes 1344 5630 bearing	AI	1256 0322	screw
			AJ	1256 4555	screw
N	1522 0437	gear	AK	1341 3034	contact screw, for P & PA machine
O	1526 6265	idler gear, after serial F171821P	AL	1333 3117	phenolic spacer
	1522 0403	idler gear, before serial F171822P. Use 1255 3152 clip, 1011 1193 washer to retain gear on side frame stud. For replacement of side frame stud use 1526 6281 shoulder screw, 1341 7969 washer, 1337 2214 lockwasher, 1256 5230 nut (2 req.), 1522 0403 idler gear	AM	1333 3125	contact block
			AN	1522 0494	left side plate
			AO	1256 1106	screw, use 1256 8028 plain washer, 1256 7459 lockwasher
			AP	1522 0536	bearing housing assembly
			AQ	1256 0686	screw, use 1256 8002 washer
			AR	1340 3845	screw, use 1256 7434 lockwasher
P	1017 4464	spacer	AS	1522 0528	bearing plate
			AT	1304 2171	screw



Side Frames

ALPHA READ-IN SOLENOID ASSEMBLY (PLATE VI-16)

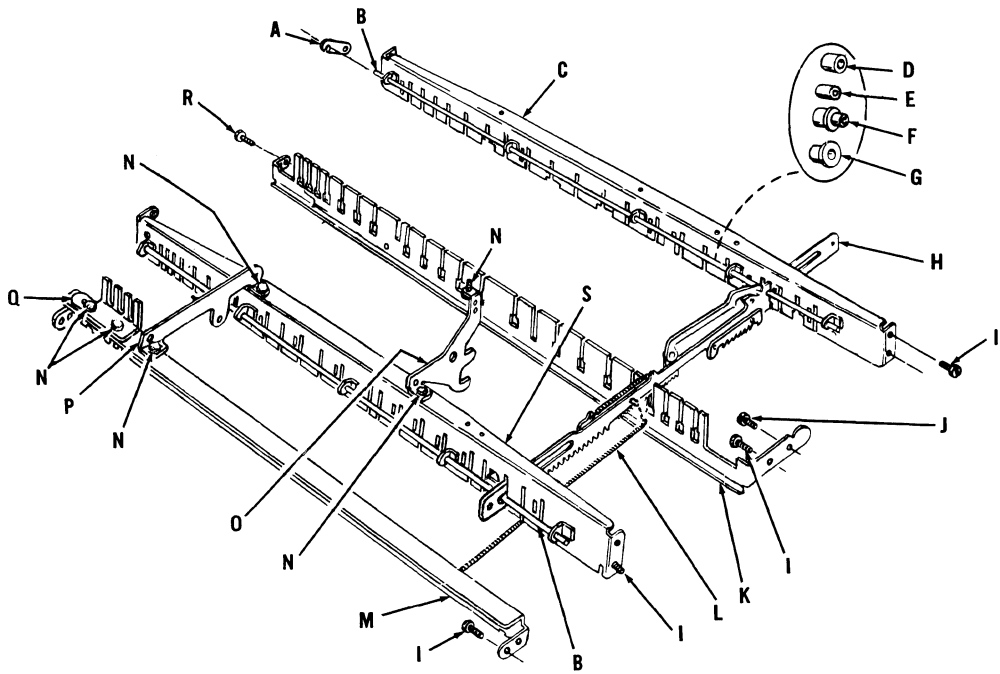
PART NUMBERS (PLATE VI-16)



1522 7143	complete alpha read-in solenoid assembly
A	1340 6525 cable clamp
B	1256 0686 screw
C	1522 6772 terminal board, includes F
D	1256 5230 nut
E	1340 2656 diode
F	-- -- included in C
G	1522 6764 mounting bracket
H	1522 6681 solenoid clapper
I	1256 5263 nut
J	1024 0091 spacer
K	1340 9123 spring
L	1340 5725 screw
M	1256 7459 lockwasher
N	1256 5248 nut
O	1340 5758 screw
P	1522 6715 stop slide (pos. 1, 4, 7)
	1522 6723 stop slide (pos. 2, 5, 6)
	1522 6731 stop slide (pos. 3, 8)
Q	1338 7360 nut
R	1522 6699 support bracket
S	1522 6749 stop slide shaft
T	1522 6707 spacer
U	1344 4633 screw
V	1326 1581 solenoid coil
W	1522 6756 solenoid core
X	1522 6673 solenoid bracket

Side Frames

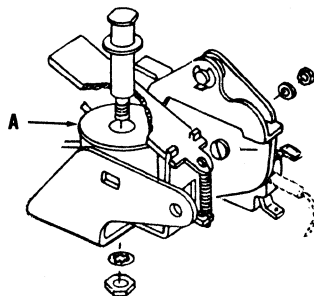
GUIDE COMBS AND RACK BARS (PLATE VI-17)



PART NUMBERS (PLATE VI-17)

A	1303 8112	locking plate	1527 1943	pulse rack bar, series E6000	
B	1304 5067	shaft	1510 7279	date rack bar	
C	1510 7196	guide and tie strip, series E2100, E4000	I	1304 0779	screw, use 1010 0378 nut
	1527 1695	guide and tie strip, series E6000	J	1010 9205	screw, use 1010 0378 nut
D	1510 7287	spacer, OD .296", for date rack bar (front)	K	1510 7204	guide comb
E	1306 7244	spacer, OD .217", for date rack bar (rear)	L	1510 7402	rack bar spring
F	1306 7210	spacer, double shoulder	M	1510 7386	guide strip
G	1306 7202	spacer, single shoulder	N	1340 4769	screw, use 1010 0386 nut, 1256 7715 lock-washer
H	1510 7212	rack bar, symbol col. and keyboard cols. 1 thru 11, except keyboard cols. 6 and 7 for series E6000	O	1510 9242	brace
	1527 1927	rack bar, keyboard cols. 6 and 7, series E6000	P	1510 7378	brace
	1510 7261	rack bar, keyboard col. 12 and S1 thru S4	Q	1510 9234	limit plate
	1510 9275	pulse rack bar, series E2100, E4000	R	1024 3764	screw, use 1010 0360 nut
			S	1510 7394	guide and tie strip, series E2100, E4000
				1527 1976	guide and tie strip, series E6000

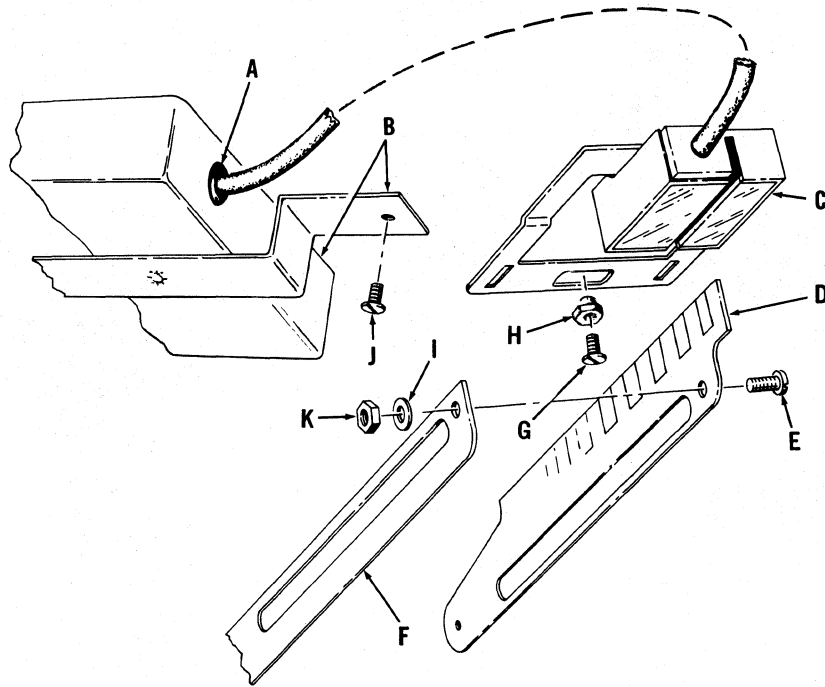
TYPEWRITER KEYBOARD DRIVE TRIP SOLENOID (PLATE VI-18)



PART NUMBERS (PLATE VI-18)

	1522 8851	complete assembled drive trip solenoid,
A	1522 8877	solenoid coil

INTERPOSER AND E-CORE SYNC PICKUP ASSEMBLY (PLATE VI-19)

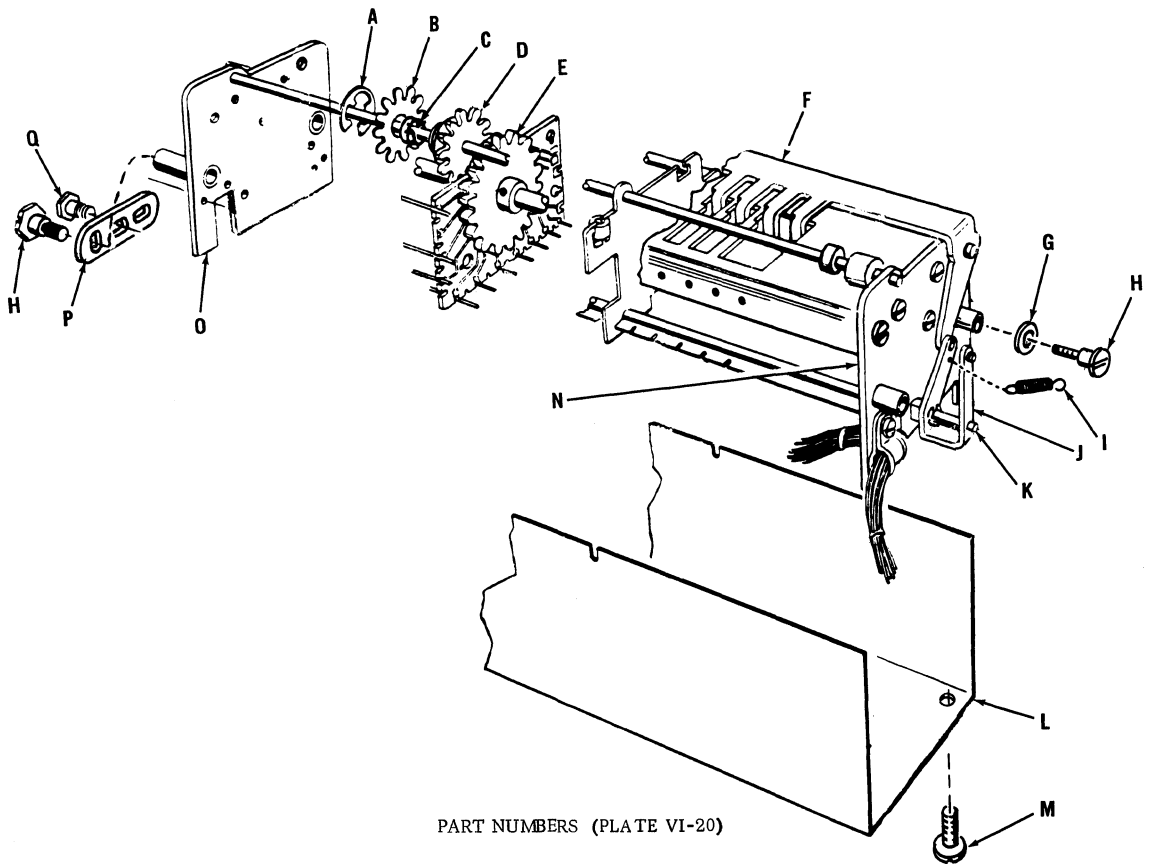


PART NUMBERS (PLATE VI-19)

A	1322 2948	grommet, included in C
B	1507 5963	cover
C	1527 1315	magnetic head and E-core sync pickup, includes A, and printed circuit card
D	1526 9087	interposer
E	1340 3548	screw
F	1527 1943	pulse rack bar
G	1010 5229	screw
H	1017 4720	eccentric
I	1018 5148	washer
J	1256 0868	screw
K	1256 5198	nut

Side Frames

## ROTARY READ-OUT ASSEMBLY (PLATE VI-20)

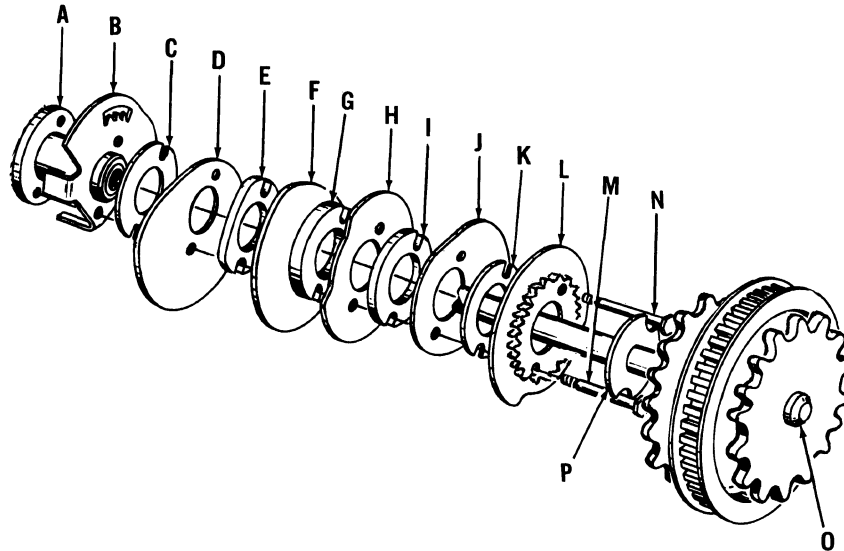


## PART NUMBERS (PLATE VI-20)

	1522 1138	complete rotary read-out unit, series E2100
	1523 8744	complete rotary read-out unit, series E4000, E6000
A	1337 2420	clip, .023" } selective, included in D
	1337 2438	clip, .019" }
B	1522 0742	pinion, included in D
C	1522 0775	spring, included in D
D	1522 0734	pinion
	1522 0726	pinion assembly, includes A, B, C
E	1522 0700	wiper gear
F	1522 0833	detent bail
G	1015 1736	spacer
H	1321 6627	mounting screw
I	1027 6306	spring
J	1522 0841	bail
K	1522 0858	post, use 1010 0360 nut
L	1522 0866	cover
M	1340 3605	screw
N	1522 0809	left end plate
O	1522 0783	right end plate
P	1510 9341	mounting plate
Q	1257 3051	mounting screw, use 1256 8044 washer

Power, Base & Case

## TYPEWRITER CAMSHAFT (PLATE VII-1)

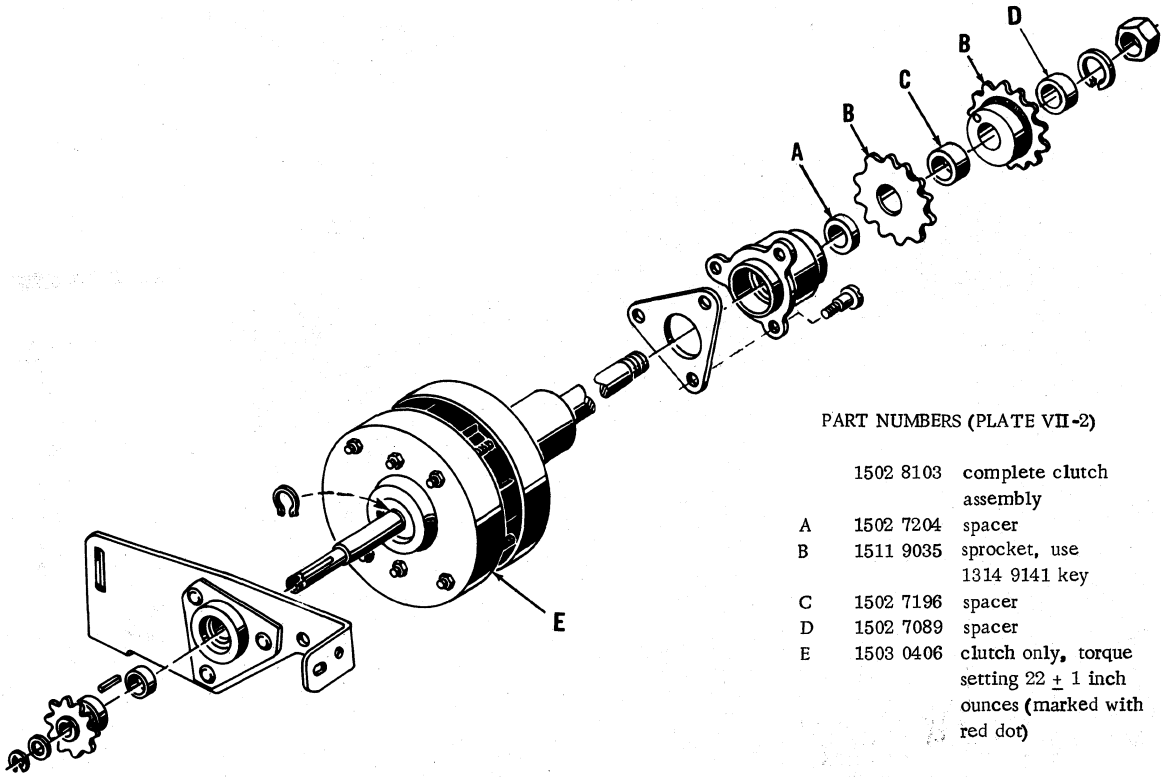


## PART NUMBERS (PLATE VII-1)

(Complete cam assemblies include A thru N)

1523 6094	without TTM or P & PA, for carriage drive escapement unit with timing latch construction after serial F158339P	1523 3398	cam, for carriage drive escapement unit without timing latch construction before serial F158400P
1523 3851	without TTM or P & PA, for carriage drive escapement unit without timing latch construction before serial F158400P	G	1336 7826 spacer
1523 6086	with TTM and/or P & PA, for carriage drive escapement unit with timing latch construction after serial F158339P	H	1336 7891 cam
1523 3869	with TTM and/or P & PA, for carriage drive escapement unit without timing latch construction before serial F158400P	I	1336 7834 spacer
A	1336 7800 arbor, without TTM or P & PA	J	1523 5880 cam, for carriage drive escapement unit with timing latch construction after serial F158339P
B	1336 7818 arbor, with TTM and/or P & PA	1336 7909	cam, for carriage drive escapement unit without timing latch construction before serial F158400P
C	1336 7974 cam	K	1336 7842 spacer
D	1336 7867 spacer	L	1336 7958 cam, includes gear, for TTM and/or P and PA
E	1336 7875 cam	1336 7917	cam, without TTM and/or P and PA
F	1336 7859 spacer	M	1340 4785 screw, for TTM and/or P and PA
G	1523 6052 cam, for carriage drive escapement unit with timing latch construction after serial F158339P	1341 8256	screw, without TTM and/or P and PA
H		N	1340 4793 screw, for TTM and/or P and PA
I		1341 8264	screw, without TTM and/or P and PA
J		O	1502 5133 camshaft and pulley assembly
K		P	1341 7803 spacer

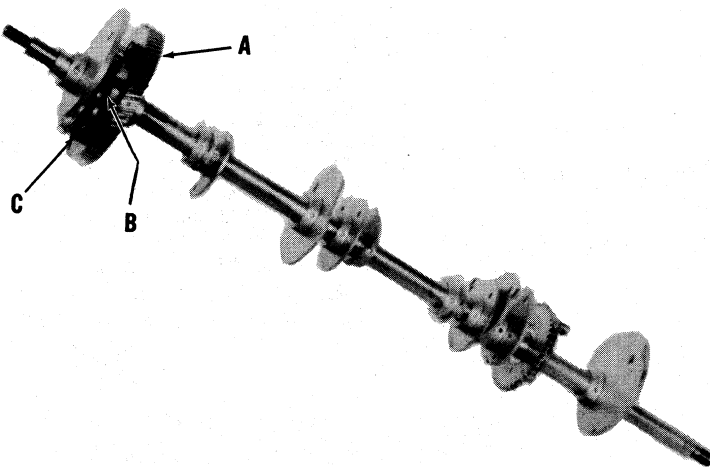
MAGNETIC CLUTCH (PLATE VII-2)



PART NUMBERS (PLATE VII-2)

- 1502 8103 complete clutch assembly
- A 1502 7204 spacer
- B 1511 9035 sprocket, use 1314 9141 key
- C 1502 7196 spacer
- D 1502 7089 spacer
- E 1503 0406 clutch only, torque setting  $22 \pm 1$  inch ounces (marked with red dot)

COMPLETE MAIN CAMSHAFT ASSEMBLY (PLATE VII-3)

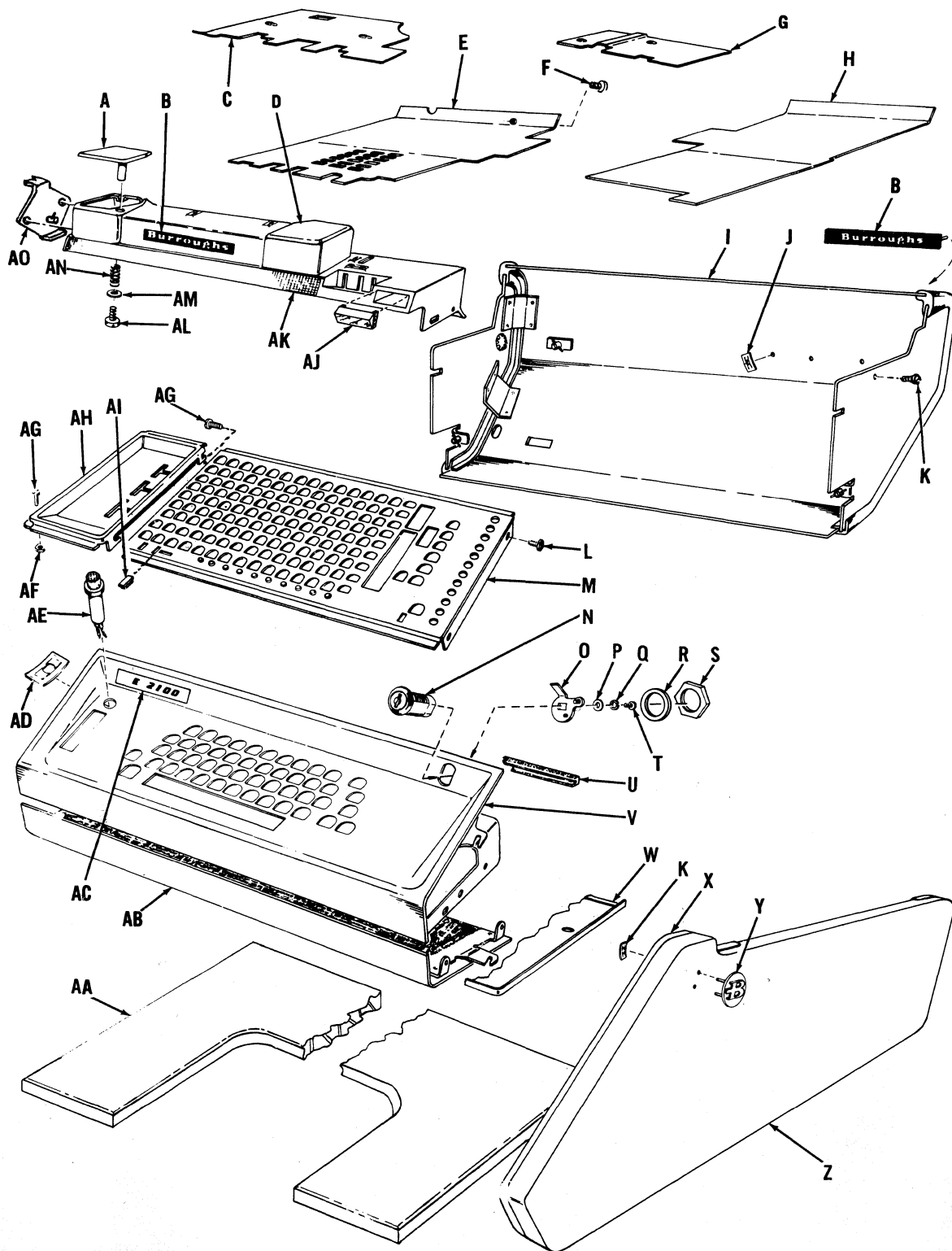


PART NUMBERS (PLATE VII-3)

- 1510 7634 complete main camshaft assembly
- A 1511 3665 bronze gear
- B 1510 4334 clutch dog
- C 1502 0993 lock plate

Power, Base & Case

CASE PANELS, COVERS (PLATE VII-4)



PART NUMBERS ON NEXT PAGE

## Power, Base &amp; Case

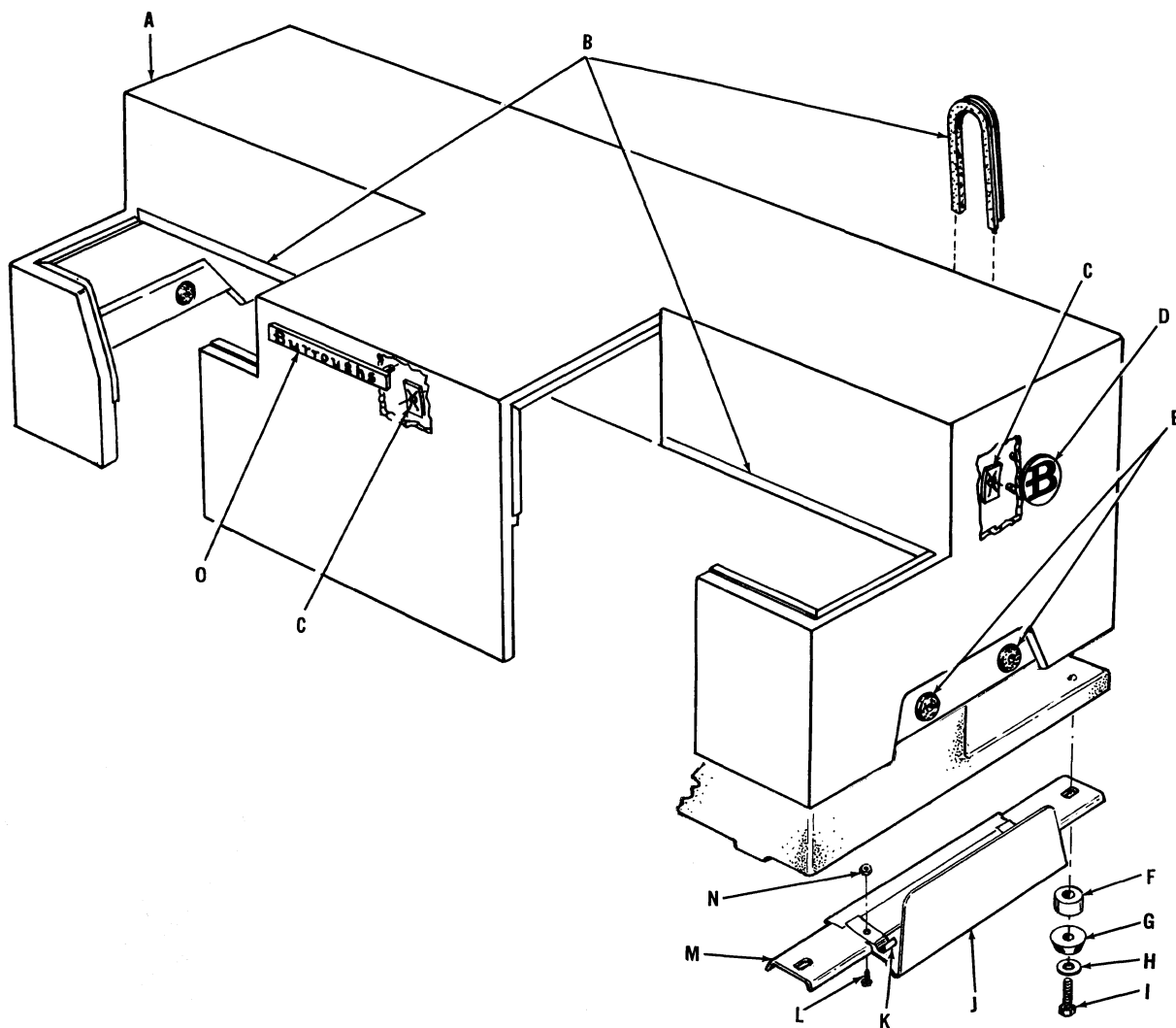
## PART NUMBERS (PLATE VII-4)

	1523 1525	ribbon turret cover, includes A, B, D, AK thru AN	Q	1256 7459	lockwasher
A	1522 5725	ribbon cover	R	1337 7742	fiber washer
B	1341 4370	nameplate, use 1256 5925 speed nut	S	-- --	included in N
C	1325 0451	dust cover	T	1013 8782	screw
D	1522 5733	ribbon cover	U	1341 8967	rubber beading
E	1511 1230	left top cover	V	1522 5295	upper front case panel and typewriter false keyboard assembly
F	1010 8991	screw	W	1502 6669	oil pan
G	1511 1255	dust cover	X	1341 8975	beading, included in Z
H	1511 1222	right top cover		1341 8983	beading, rear, included in Z
I	1506 2243	rear case panel, includes 1511 1388 rubber moulding, right, 1511 1396 rubber moulding, left	Y	1341 4321	medallion, included in Z
J	1256 5925	speed nut	Z	1522 5139	right case panel, includes J, X, Y
K	1340 5477	screw, use 1300 1508 clip		1522 5147	left case panel, includes J, X, Y
L	1340 2961	screw	AA	1523 4891	stand top frame
M	1523 5781	false keyboard, series E2100	AB	1325 0899	front case panel
	1523 5773	false keyboard, series E2100 stripe ledger	AC	1511 2022	series E2100 decal
	1523 5765	false keyboard, for P and PA, all series E2100		1523 8793	series E4000 decal
	1526 5978	false keyboard, series E4000		1527 3253	series E6000 decal
	1526 5986	false keyboard, series E4000 stripe ledger	AD	1338 8079	clip, included in AE
	1526 5994	false keyboard for P and PA, all series E4000	AE	1342 0013	power signal light, includes AD
	1527 1893	false keyboard, series E6000	AF	1010 0360	nut
	1527 3238	false keyboard for P and PA series E6000	AG	1012 0178	screw
N	-- --	90 1/2 style 7 lock assembly, includes S, specify combination(s) BU1091F8 thru BU1100F8. For key, order 90 5/8 style 7, specifying above combination(s) required	AH	1502 2494	cover, series E2100, E4000
O	1329 5001	lock cam		1527 1166	cover, series E6000
P	1303 6694	washer	AI	1522 7259	plastic plug
			AJ	1523 1186	plastic window
			AK	1341 8991	aluminum decor
			AL	1025 6154	screw
			AM	1024 7906	washer
			AN	1341 9114	spring
			AO	1326 0955	bracket, left side
				1326 1011	bracket, right side



Adjuncts

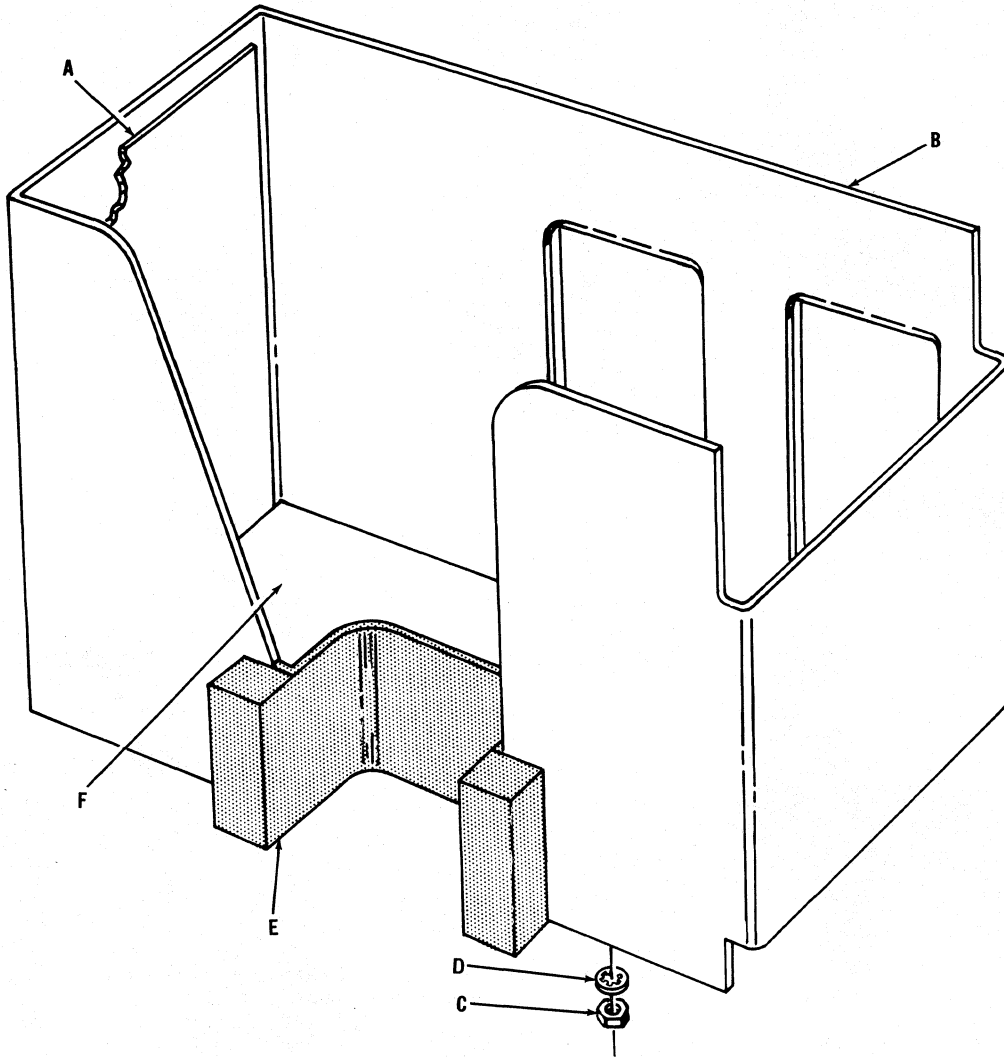
A592 COVER AND COVER LATCH ASSEMBLY (PLATE VIII-1)



PART NUMBERS (PLATE VIII-1)

A	1523 8306	cover assembly	H	1256 8077	washer
B	1523 8389	cover molding, cut to fit other positions	I	1257 3176	screw, rear
C	1256 5925	spring nut		1257 3192	screw, front
D	1020 8712	medallion	J	1523 8231	cover latch
E	1316 8604	grommet	K	1523 8249	latch spring
F	1320 9283	spacer, rear	L	1018 0149	screw
	1320 8723	spacer, front	M	1523 8256	latch support
G	1010 3067	rubber pad	N	1010 0378	nut
			O	1026 8738	nameplate

A592 STACKER BIN ASSEMBLY (PLATE VIII-2)

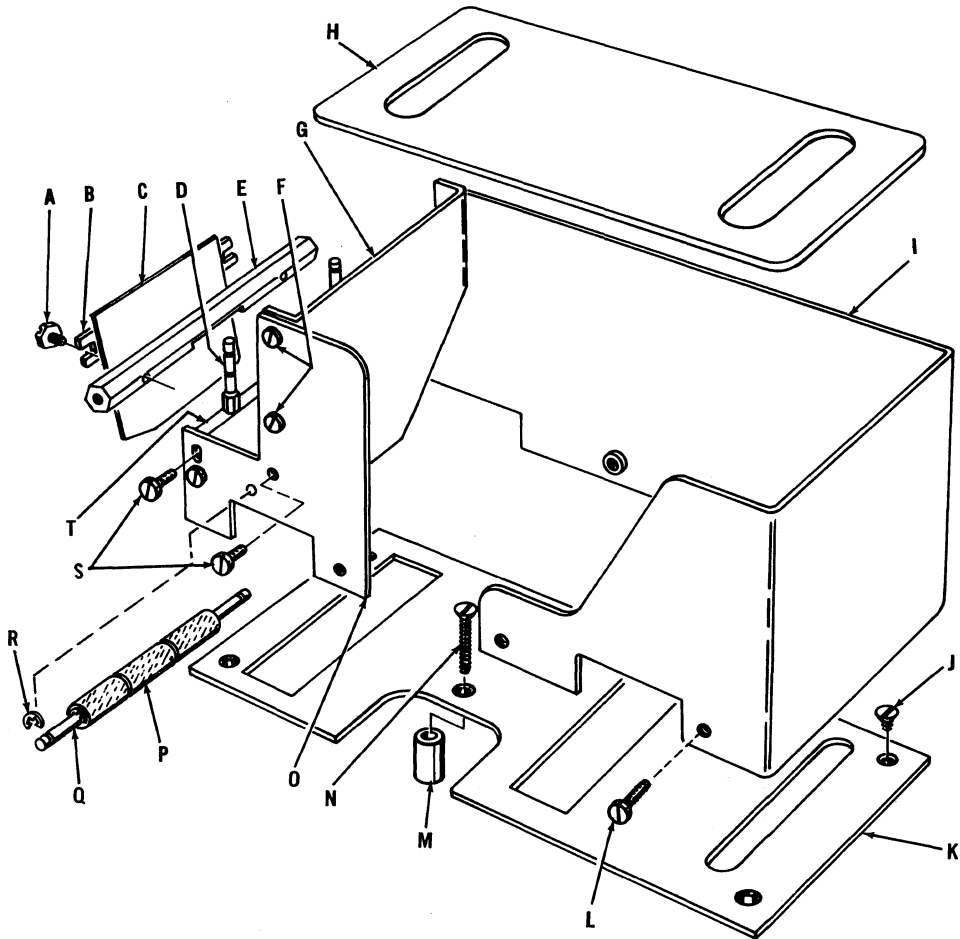


PART NUMBERS (PLATE VIII-2)

A	1526 6323	cushion plate
B	1523 8272	stacker bin
C	1256 5206	nut
D	1256 7996	washer
E	1523 8298	stacker molding
F	1523 8280	stacker floor

Adjuncts

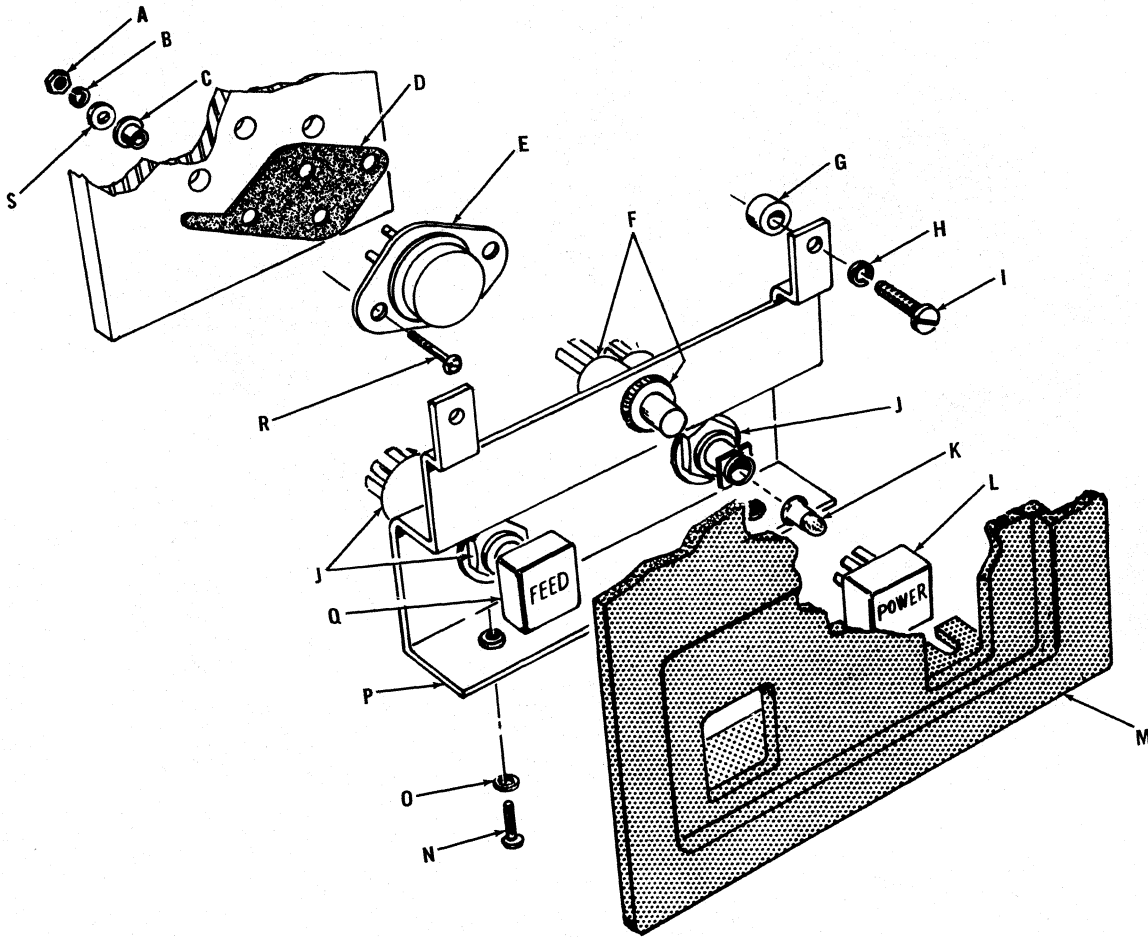
A592 HOPPER ASSEMBLY (PLATE VIII-3)



PART NUMBERS (PLATE VIII-3)

A	1311 7338	screw	K	1523 8082	hopper floor (feed)
B	1523 7746	clamp plate	L	1256 0850	screw
C	1523 7738	pressure blade assembly	M	1508 7646	spacer
D	1522 5329	spring stud	N	1255 4960	screw
E	1523 7761	adjustment rod	O	1523 7845	hopper wall
F	1256 0843	screw	P	1523 7985	pressure roller
G	1523 7829	hopper wall (feed)	Q	1523 7977	pressure shaft
H	1526 5937	card weight	R	1255 3129	retaining ring
I	1523 7837	hopper (feed)	S	1256 0686	screw
J	1035 1138	screw	T	1523 7753	stop support

A592 CONTROL PANEL (PLATE VIII-4)

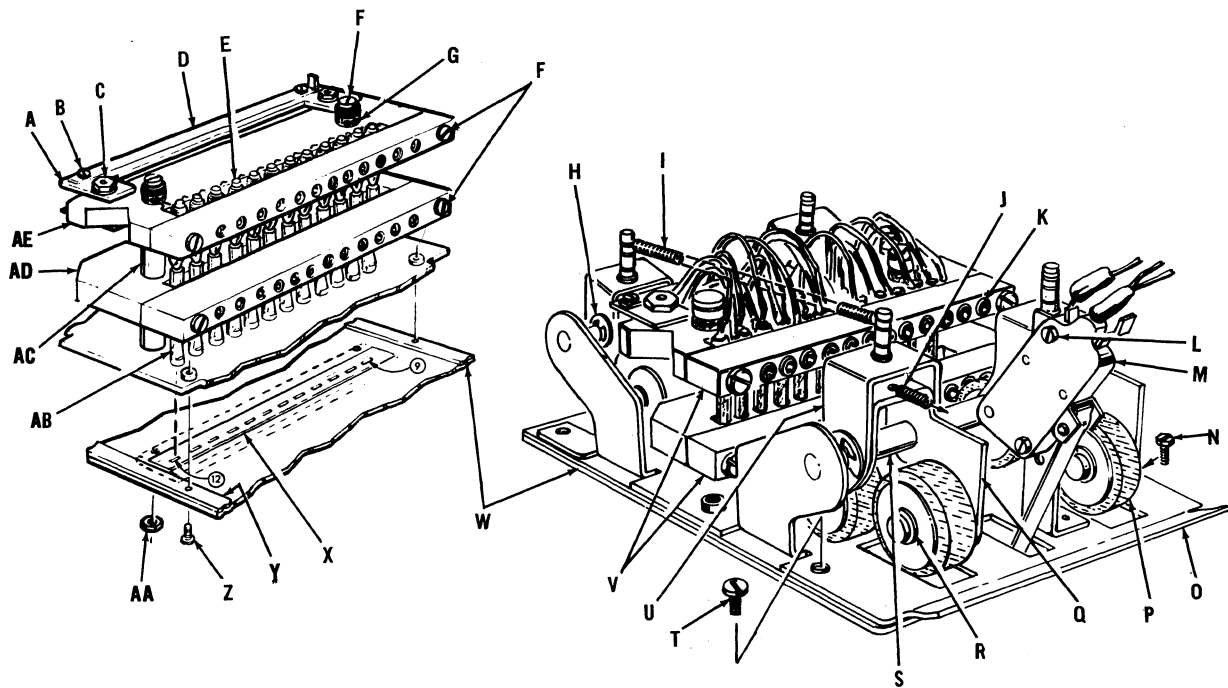


PART NUMBERS (PLATE VIII-4)

A	1256 5206	nut	K	1503 0984	light bulb
B	1256 7434	lockwasher	L	1526 3940	snap-in lens (POWER)
C	1313 5793	spacer, use 1320 9432 spacer on right	M	1523 8223	panel molding
D	1313 5785	insulator	N	1256 0843	screw
E	1002 1145	transistor, type 2N1557	O	1256 8010	washer
F	1511 7567	indicator lamp assembly, (amber)	P	1523 8173	switch mounting plate
G	1337 4517	spacer	Q	1526 3957	snap-in lens (FEED)
H	1256 7459	lockwasher	R	1257 0552	screw
I	1256 0892	screw	S	1256 7707	washer
J	1320 1413	switch (push button)			

Adjuncts

A592 READ STATION ASSEMBLY (PLATE VIII-5)

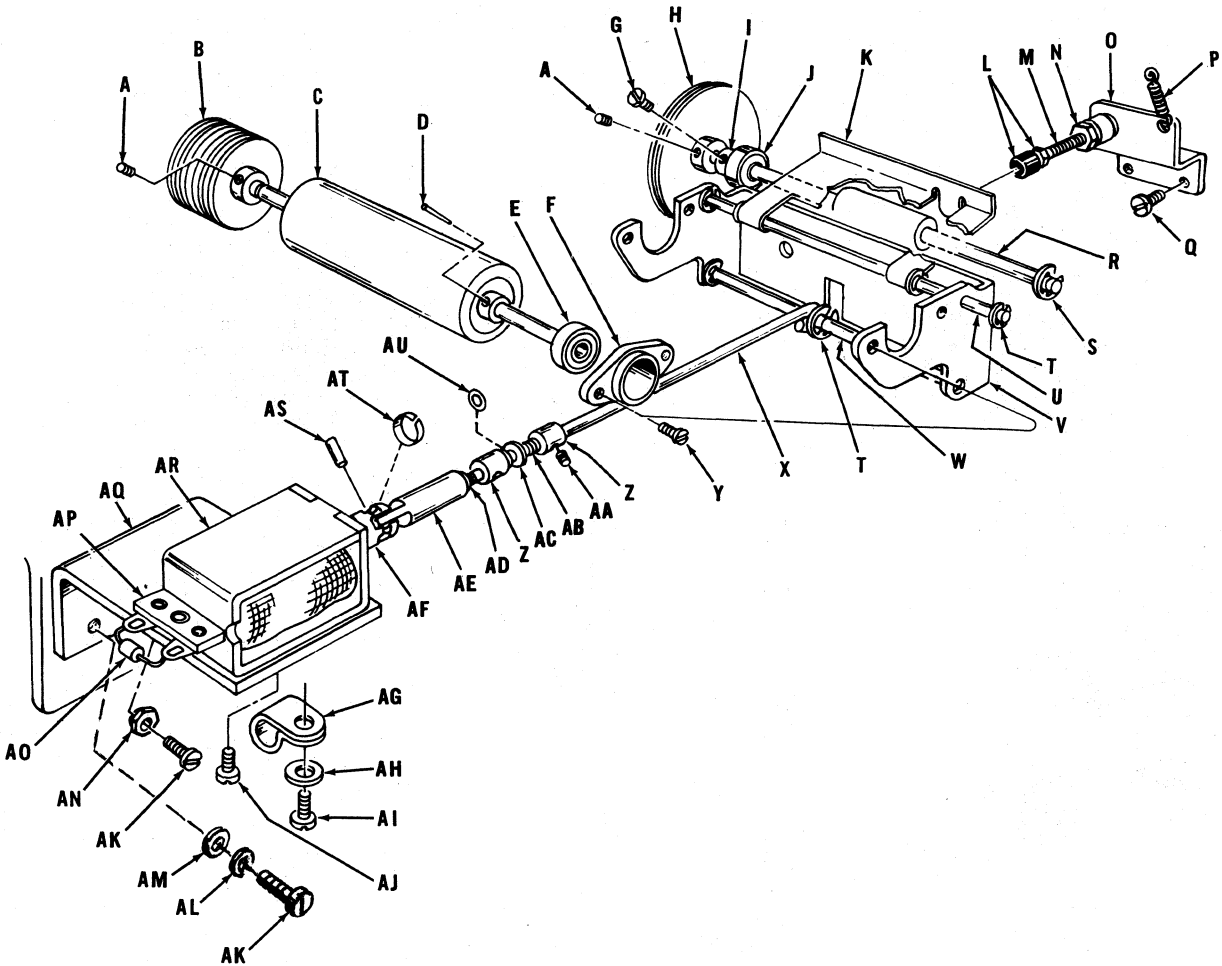


PART NUMBERS (PLATE VIII-5)

A	1523 7894	buss bar support	P	1523 8108	idler roller assembly
B	1256 0124	screw, use 1256 7491 washer	Q	1523 7688	angled idler bracket
C	1256 5248	nut, use 1256 8002 washer, 1256 0900 screw	R	1255 3418	clip
D	1319 7843	buss bar	S	1523 7704	idler pivot shaft
E	1320 0258	lamp	T	1316 5311	screw
F	1256 0926	screw	U	1523 8009	idler bracket
G	1501 2966	bushing, use 1501 3014 washer	V	1501 2909	clamping block
H	1255 3178	retaining clip	W	1526 8642	cell mounting plate
I	1027 7168	spring	X	1523 7886	cell and mask assembly
J	1027 7150	spring	Y	1523 8041	shim
K	1527 1752	setscrew, use 1501 2941 plugs	Z	1256 0686	screw
L	1256 0165	screw, use 1256 7970 washer, 1256 5180 nut	AA	1256 5206	nut, use 1256 7996 washer
M	1341 1905	switch	AB	1501 2933	light rod
N	1316 4967	screw	AC	1501 2974	stand-off nut
O	1523 7811	support assembly	AD	1520 1403	light rod block
			AE	1501 3089	B.O.L. mounting block

Adjuncts

A592 KICKER ROLLER ASSEMBLY (PLATE VIII-6)

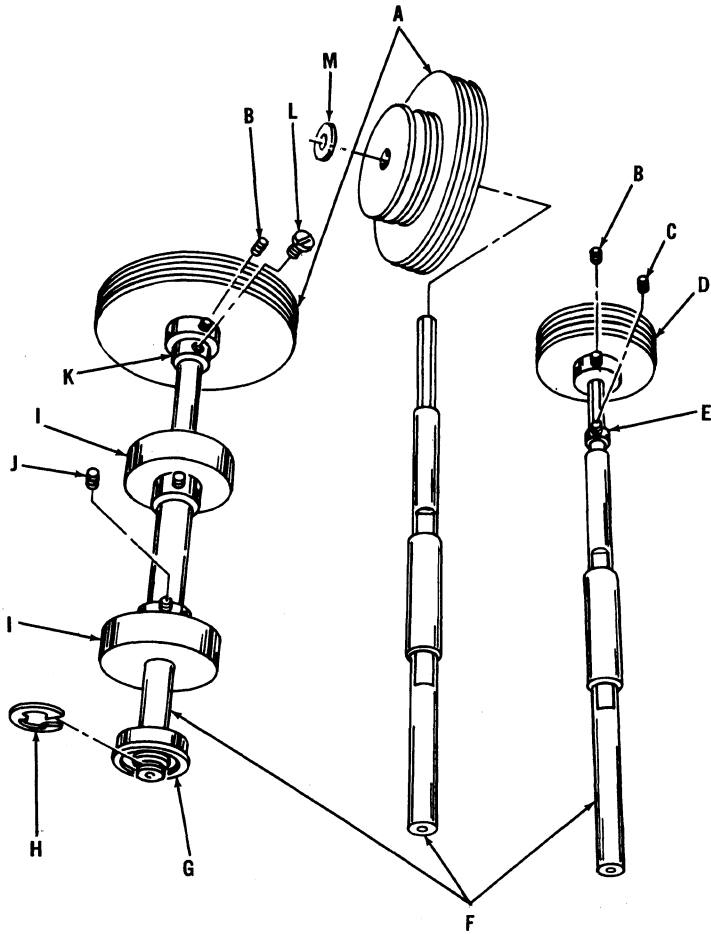


PART NUMBERS (PLATE VIII-6)

A	1255 7617	setscrew	Y	1010 5229	screw
B	1526 6505	kicker sheave	Z	1301 9450	set collar
C	1523 7969	kicker roller assembly, includes D	AA	1255 7807	setscrew
D	-- --	included in C	AB	1341 9270	spring
E	1344 3791	bearing	AC	1256 8002	washer
F	1523 7555	bearing housing	AD	1010 0378	nut
G	1010 5476	setscrew, included in I	AE	1523 7605	tie rod coupling
H	1526 6513	separator sheave	AF	1309 3109	solenoid plunger
I	1342 7778	set collar, includes G	AG	1323 9306	cable clamp
J	1320 9853	bearing	AH	1256 8036	washer
K	1523 8017	separator bail	AI	1256 1106	screw
L	-- --	included in M	AJ	1256 1080	screw
M	1316 5238	bumper screw	AK	1316 5204	screw
N	1256 5248	nut	AL	1256 7467	lockwasher
O	1523 7902	limit bracket	AM	1256 8044	washer
P	1027 6202	spring	AN	1316 4587	eccentric
Q	1256 0843	screw	AO	1340 2656	diode
R	1523 8033	separator camshaft assembly	AP	1338 9499	terminal strip, use 1013 8782 screw, 1320 8848 washer
S	1255 3178	clip	AQ	1523 7613	solenoid bracket
T	1255 3152	retaining clip	AR	1526 3726	solenoid
U	1523 7571	kicker pivot shaft	AS	1338 8475	pin
V	1523 7563	kicker pivot bracket	AT	1337 2511	retaining ring
W	1523 7589	kicker drag shaft	AU	1501 2131	rubber washer
X	1523 7597	kicker tie rod			

Adjuncts

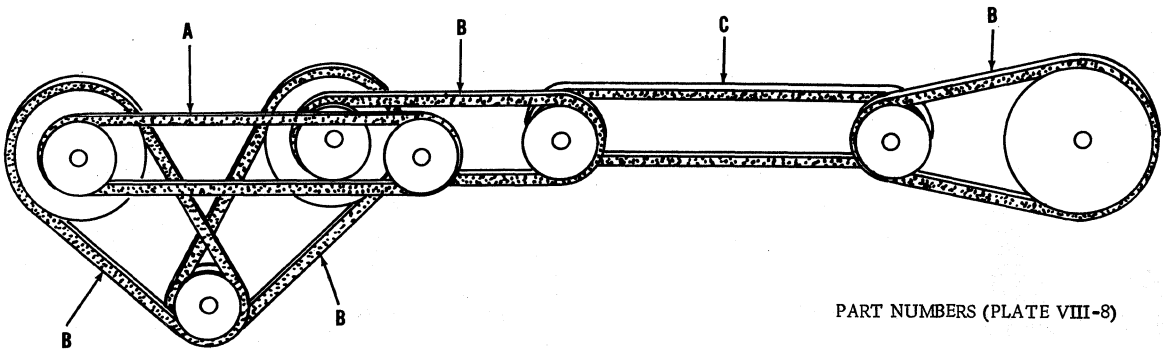
A592 TRANSPORT SHAFT ASSEMBLIES (PLATE VIII-7)



PART NUMBERS (PLATE VIII-7)

A	1526 6489	transport sheave
B	1255 7617	setscrew
C	1255 7526	setscrew
D	1526 6497	transport sheave
E	1337 9656	set collar
F	1523 7670	transport shaft
G	1320 9853	flanged ball bearing
H	1255 3178	clip
I	1523 7662	transport roller
J	1255 7807	setscrew
K	1342 7778	set collar, includes L
L	1010 5476	setscrew, included in K
M	1256 8036	washer

A592 TRANSPORT BELTS (PLATE VIII-8)

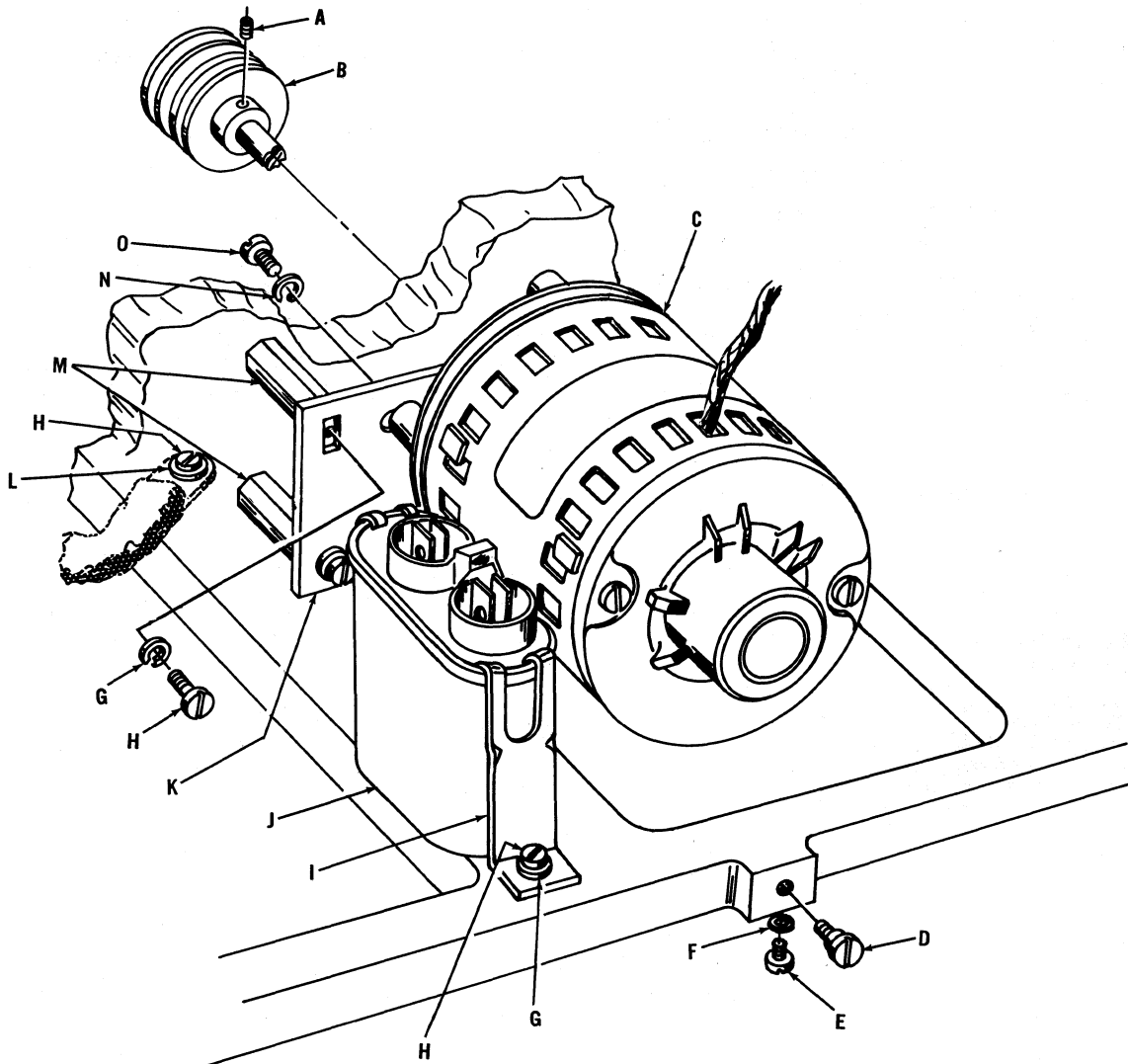


PART NUMBERS (PLATE VIII-8)

A	1526 6539	"V" belt
B	1526 6521	"V" belt
C	1526 6547	"V" belt

Adjuncts

A592 MOTOR AND MOUNTING HARDWARE (PLATE VIII-9)



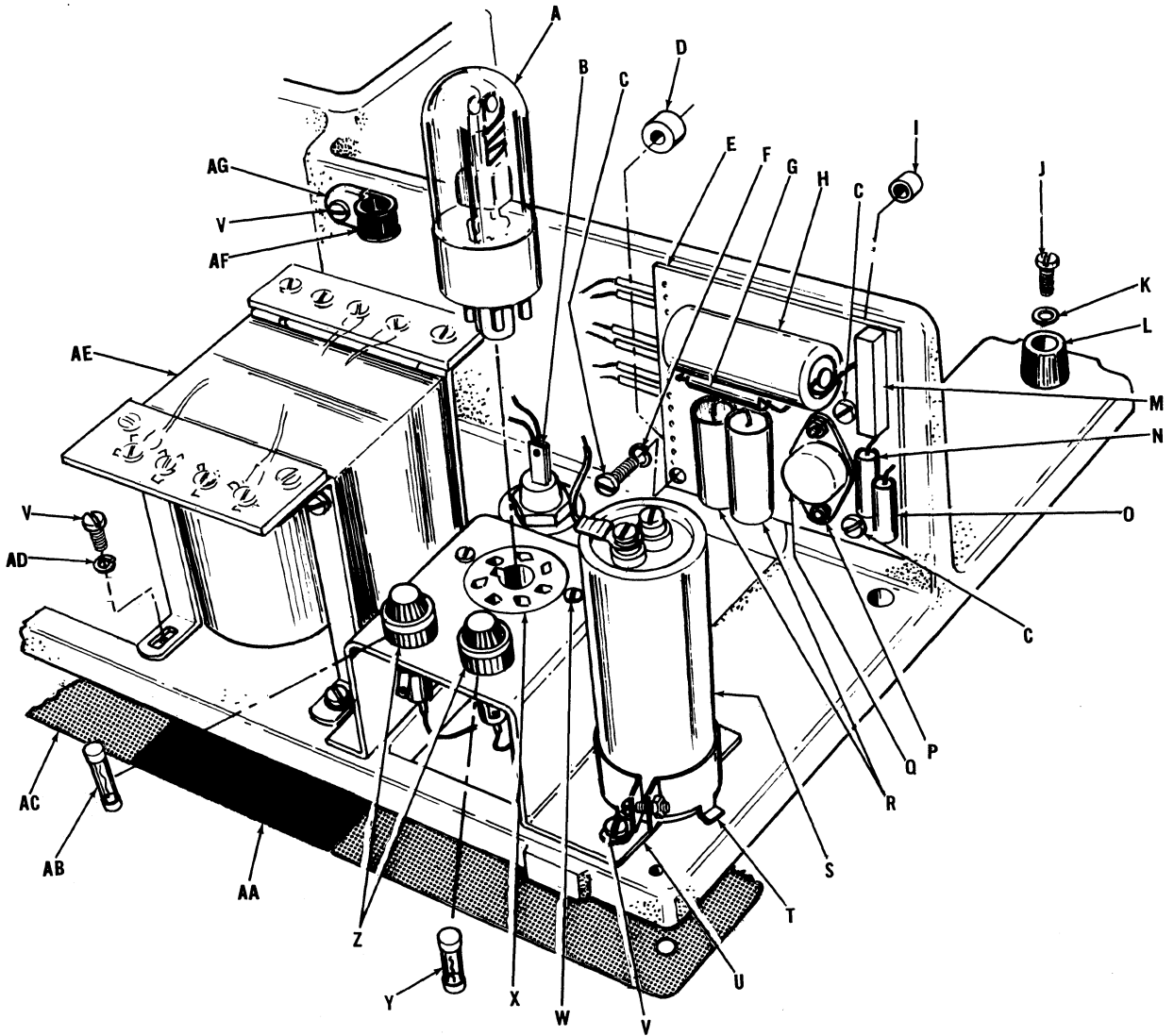
PART NUMBERS (PLATE VIII-9)

A	1255 7617	setscrew	H	1256 0850	screw
B	1526 6471	motor sheave, 60 cycle	I	-- --	included with J
	1503 0901	motor sheave, 50 cycle	J	1008 2477	capacitor, includes I
C	1503 1008	motor	K	1523 7621	motor mounting plate
D	1340 4686	shoulder screw	L	1256 7723	washer
E	1256 0843	screw	M	1338 9135	stand-off post
F	1256 8010	washer	N	1256 7467	washer
G	1256 7459	washer	O	1256 1122	screw



Adjuncts

A592 POWER SUPPLY (PLATE VIII-10)

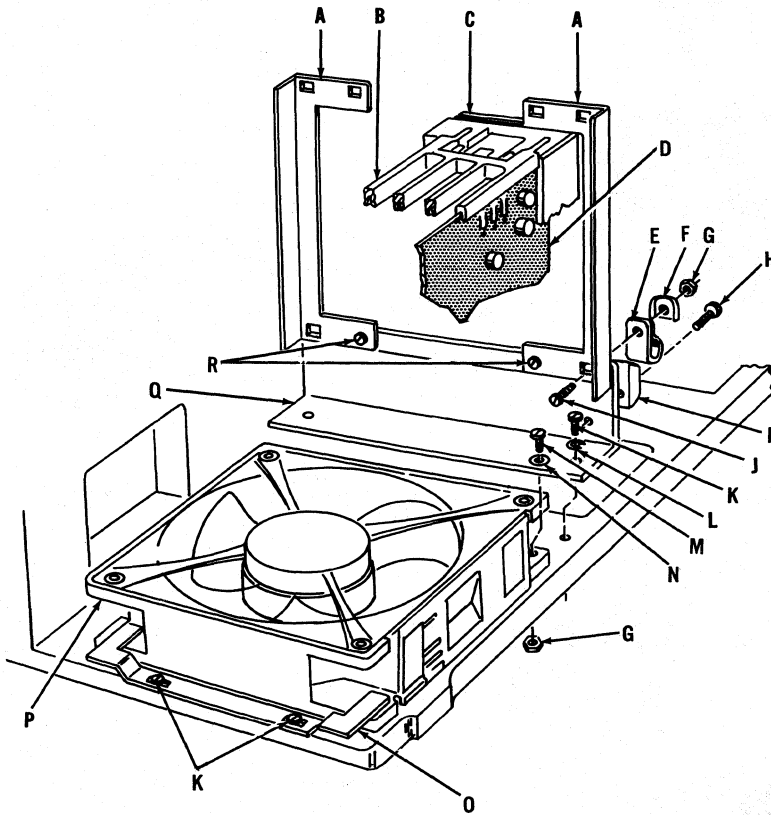


PART NUMBERS (PLATE VIII-10)

A	1522 7598	delay relay	Q	1321 7591	transistor, type 2N235A
B	1511 2311	silicon rectifier, type 1N3209	R	1265 0321	capacitor, .047 $\mu$ f, 600V, 20%
C	1256 0892	screw	S	1526 3619	capacitor
D	1030 0499	steel spacer	T	1318 3256	mounting bracket
E	1523 2382	printed circuit card assembly, includes G, H, M thru R	U	1523 8181	relay and fuse bracket
F	1256 7723	lockwasher	V	1256 0850	screw, use 1256 7459 lockwasher
G	1265 3754	resistor, 47 ohm, 1/2W, 5%	W	1343 0293	screw, use 1010 0378 nut
H	1526 3601	capacitor, 1000 $\mu$ f, 6V, -10 +150%	X	1343 2786	socket
I	1337 4756	phenolic spacer	Y	1323 8126	fuse, 1 amp.
J	1256 0884	screw	Z	1343 1259	fuse holder
K	1256 8010	washer	AA	1526 6570	insulator, included in AC
L	1322 2849	rubber pad	AB	1341 0949	fuse, 2 amp.
M	1322 2617	resistor, 500 ohm variable, 1W, 10%	AC	1523 8264	bottom cover, includes AA
N	1267 1624	resistor, 178 ohm, 1/2W, 1%	AD	1256 7459	lockwasher
O	1100 3878	resistor, 300 ohm, 1/2W, 2%	AE	1523 2275	transformer
P	1256 5743	nut, use 1257 2384 screw, 1256 7723 lockwasher	AF	1323 9371	clamp
			AG	1337 2180	"D" washer

Adjuncts

A592 CARD RECEPTACLE FRAME ASSEMBLY (PLATE VIII-11)

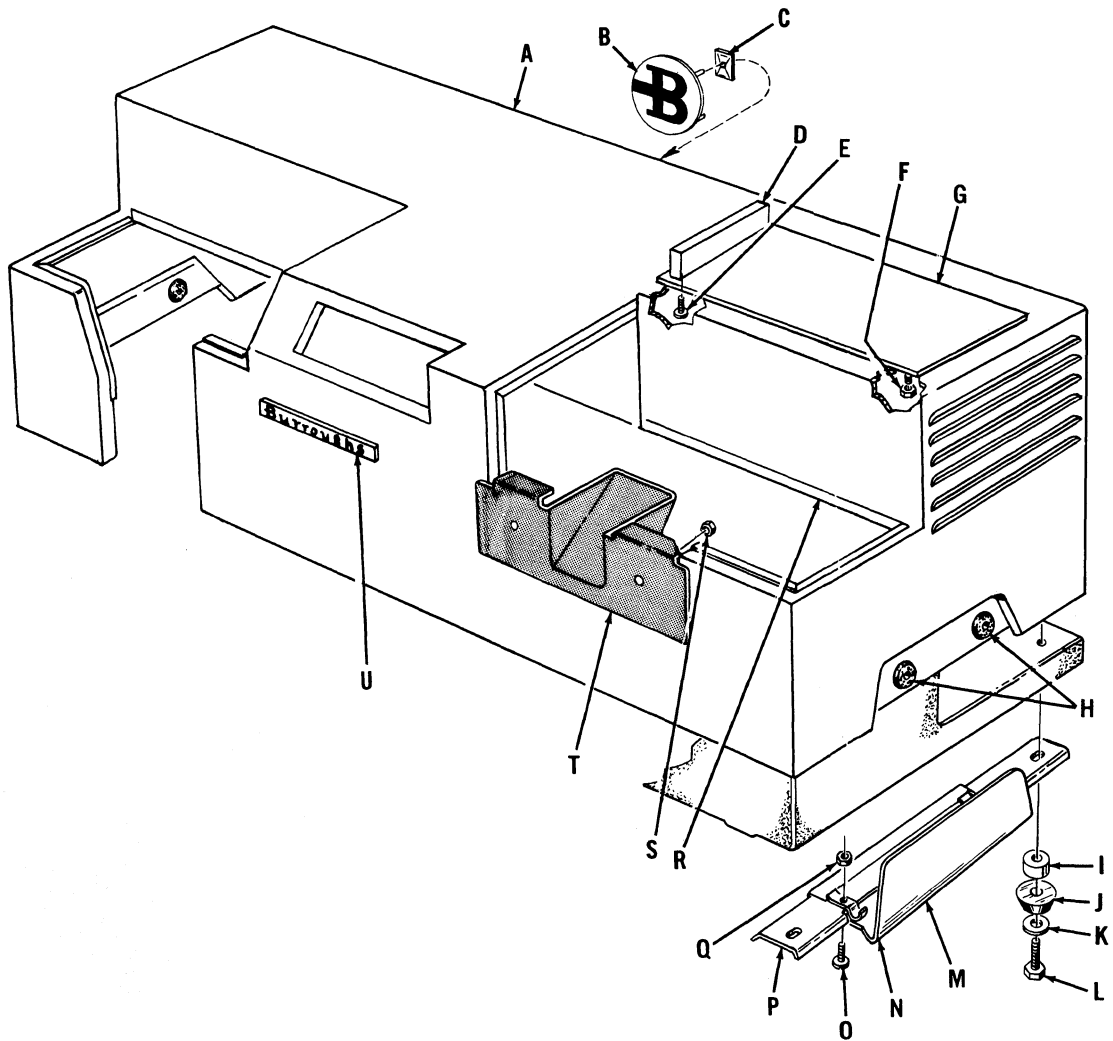


PART NUMBERS (PLATE VIII-11)

A	1523 7795	clamp bracket	I	1103 4543	terminal strip
B	1337 2693	card guide	J	1256 0892	screw
C	1504 0090	card receptacle assembly	K	1256 0876	screw, use 1341 8082 spacer
D	1526 3676	printed circuit card, solar cell amp, row "A" col. 1B, 1C, 1D	L	1256 7459	lockwasher
	1526 3718	printed circuit card, C. R. spec. amp. row "A" col. 1A	M	1256 0918	screw
E	1323 9272	cable clamp	N	1256 8010	washer
F	1337 2180	"D" washer	O	1523 8215	fan clamp
G	1256 5248	nut	P	1310 2645	muffin fan
H	1257 0859	screw	Q	1523 7787	bracket
			R	1256 0843	screw

## Adjuncts

## A594 COVER AND COVER LATCH ASSEMBLY (PLATE VIII-12)

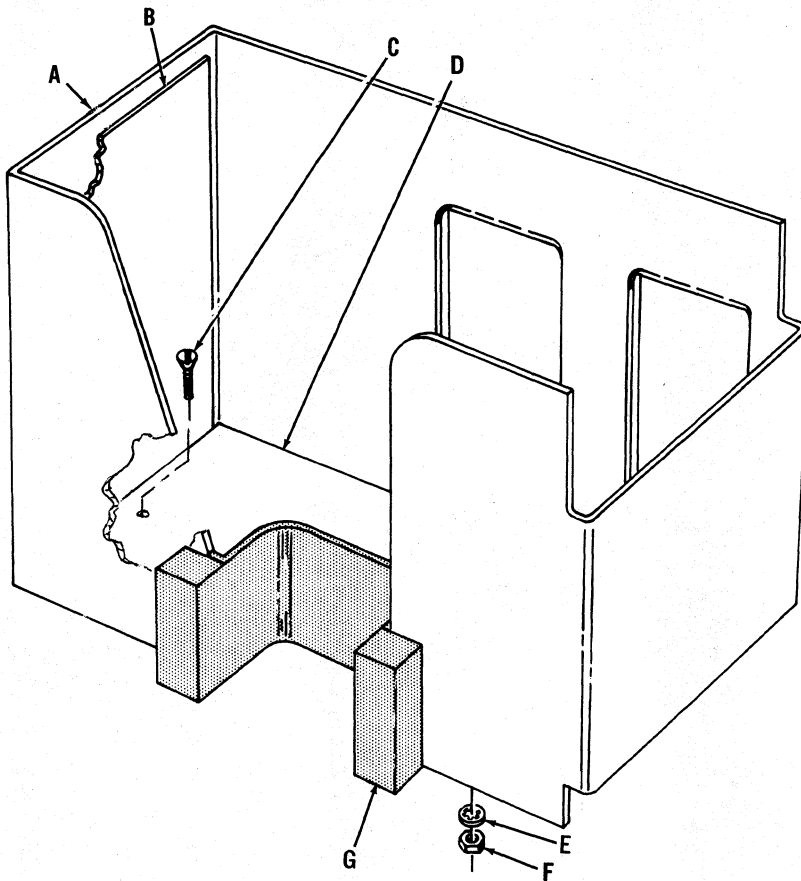


## PART NUMBERS (PLATE VIII-12)

A	1527 4038	machine cover	K	1256 8077	washer
B	1511 8821	medallion	L	1257 3176	screw
C	1256 5925	speed nut	M	1523 8231	cover latch
D	1527 6652	tamping block	N	1523 8249	latch spring
E	1256 0868	screw, use 1256 7442	O	1018 0149	screw
		lockwasher	P	1523 8256	support latch
F	1256 5248	nut, use 1256 7442	Q	1256 5230	nut
		lockwasher	R	1523 8389	rubber molding, cut to fit other positions
G	1527 5118	tamping plate	S	1256 5248	nut
H	1316 8604	grommet	T	1527 4137	molding
I	1320 9283	spacer	U	1506 9214	name plate
J	1010 3067	rubber pad			

Adjuncts

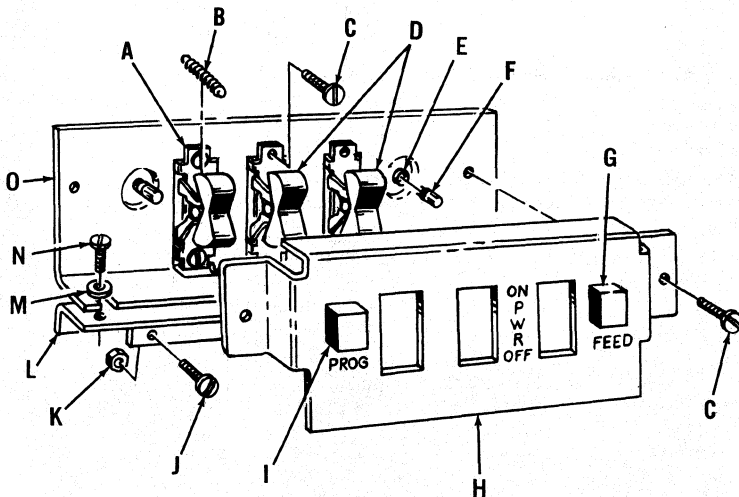
A594 STACKER BIN ASSEMBLY (PLATE VIII-13)



PART NUMBERS (PLATE VIII-13)

- A 1527 6736 stacker bin, includes B, D
- B - - - included in A
- C 1257 1733 screw
- D 1527 4053 stacker floor, included in A
- E 1256 7996 lockwasher
- F 1256 5206 nut
- G 1523 8298 molding

A594 CONTROL PANEL (PLATE VIII-14)

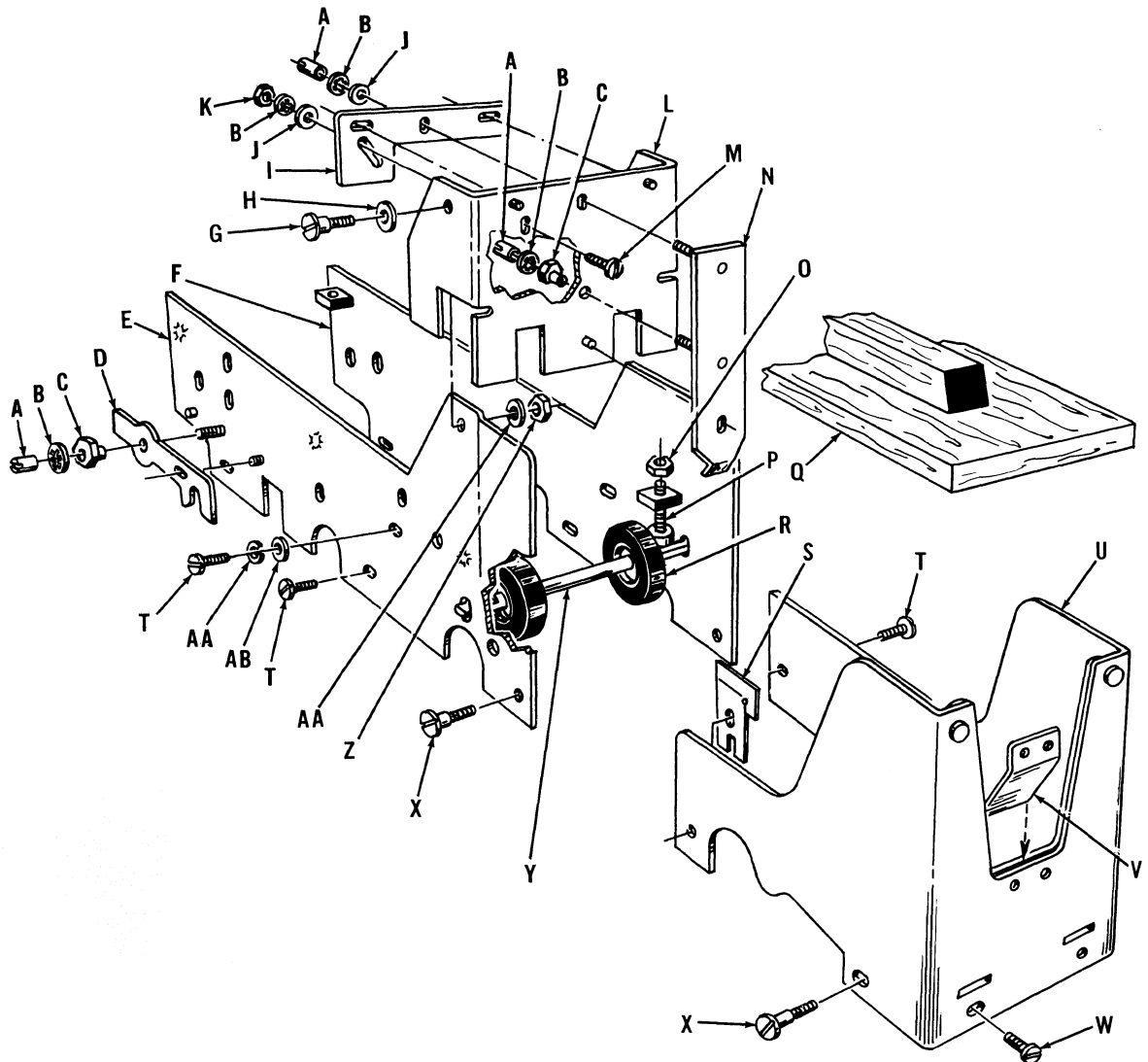


PART NUMBERS (PLATE VIII-14)

- A 1527 4491 switch, momentary contact, includes B
- B - - - included in A
- C 1256 0843 screw
- D 1527 4509 switch
- E 1527 4525 lamp socket
- F 1527 4517 lamp
- G 1527 5043 lens (green), included in H
- H 1527 4467 face plate, includes G, I
- I 1527 5027 lens (red), included in H
- J 1256 0868 screw
- K 1256 5248 nut
- L 1527 4806 bracket
- M 1256 8010 washer
- N 1256 0850 screw
- O 1527 4145 bracket

## Adjuncts

## A594 UPPER TRANSPORT ASSEMBLY (PLATE VIII-15)

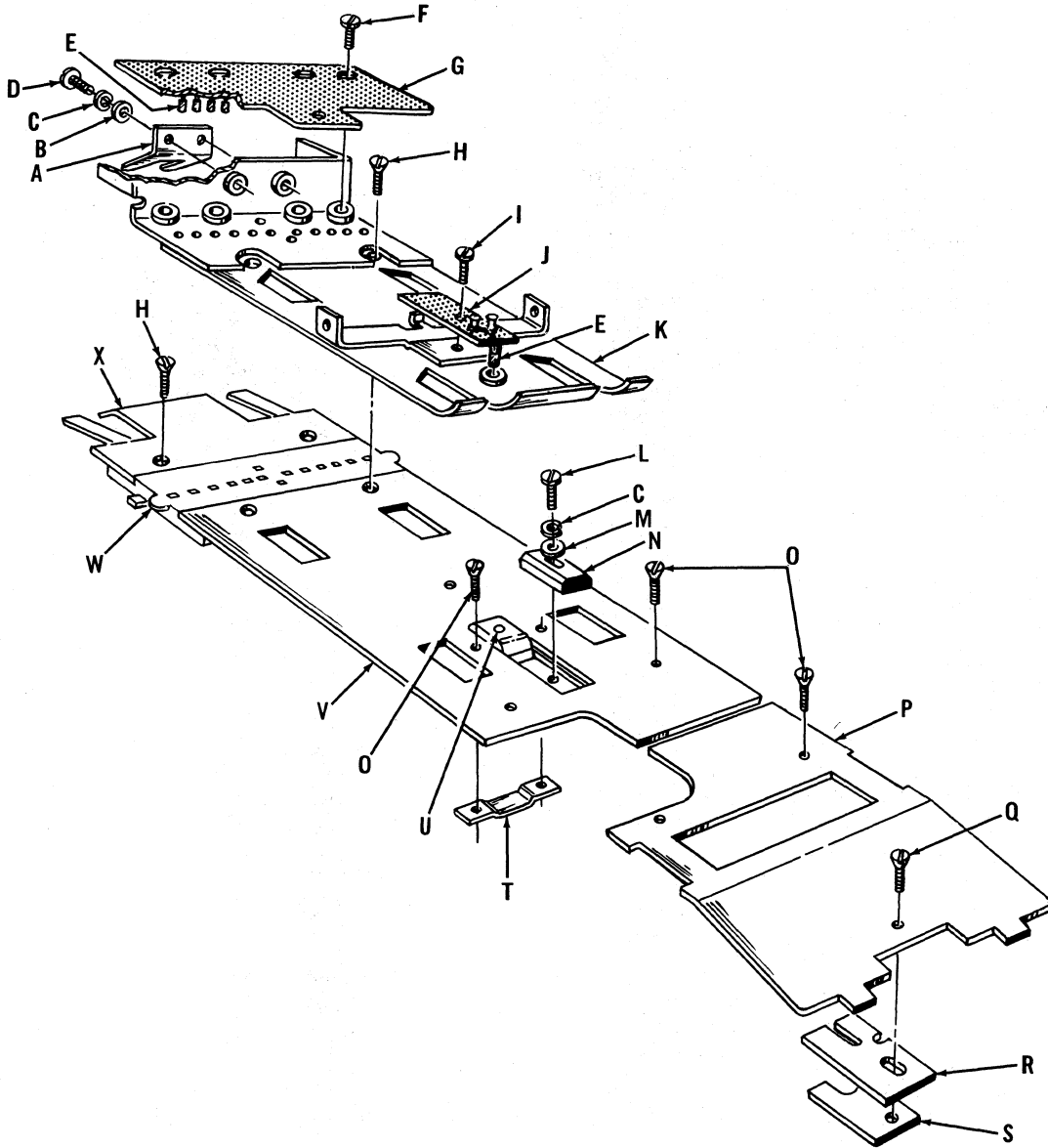


## PART NUMBERS (PLATE VIII-15)

A	1502 9523	round nut	K	1256 5230	nut	U	1527 4822	hopper, includes V
B	1256 7715	lockwasher	L	1527 4418	gate bracket	V	1527 4830	leaf spring, included in U
C	1527 4863	eccentric	M	1256 0702	screw	W	1256 0843	screw
D	1527 4178	alignment link	N	1527 4384	gate	X	1340 4876	shoulder screw
E	1527 4442	front frame	O	1256 5289	nut	Y	1527 4095	idler roller shaft, includes R
F	1527 4426	rear frame	P	1527 4665	screw	Z	1256 5248	nut
G	1340 3878	shoulder screw	Q	1527 4590	card weight	AA	1256 7442	lockwasher
H	1256 8036	washer	R	- - -	included in Y	AB	1256 8010	washer
I	1527 4087	guide plate	S	1527 4533	alignment spring			
J	1256 8002	washer	T	1256 0850	screw			

Adjuncts

A594 HOPPER AND TRANSPORT FLOOR ASSEMBLY (PLATE VIII-16)

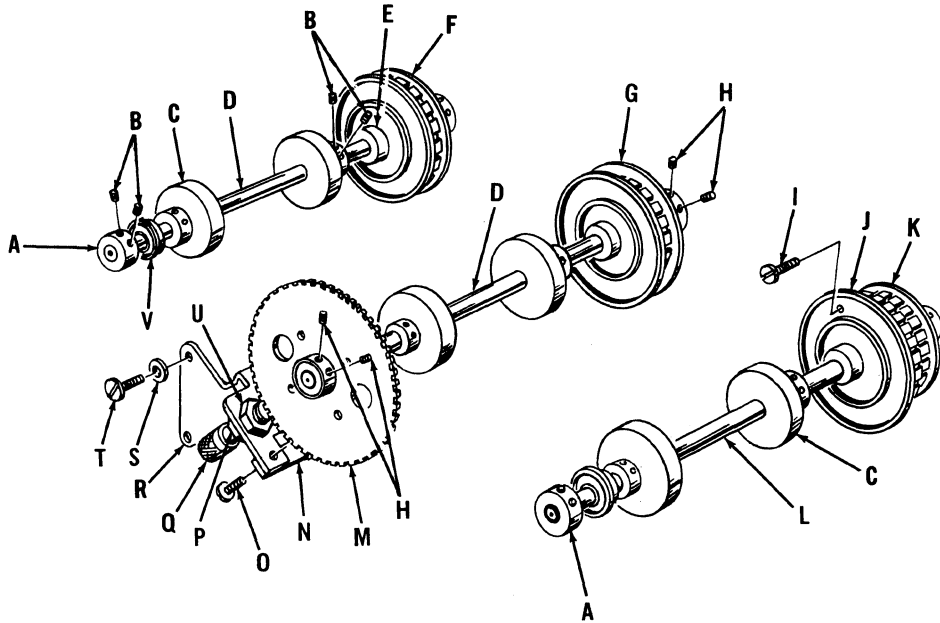


PART NUMBERS (PLATE VIII-16)

A	1527 4632	leaf spring	I	1256 0835	screw	R	1527 4541	plate
B	1256 8010	washer	J	1527 4293	terminal board, includes E	S	1527 4558	retaining plate
C	1256 7442	lockwasher	K	1527 4327	lamp and guide plate	T	1527 4616	solar cell retaining bracket
D	1256 0843	screw	L	1256 0850	screw	U	1522 4058	solar cell, includes leads
E	1527 4285	light bulb, included in G and J	M	1303 6595	washer	V	1527 4376	transport floor
F	1010 8991	screw	N	1527 4400	gate ramp	W	1527 4228	cell block assembly
G	1527 4269	lamp circuit card, assembly, includes E	O	1527 5100	screw	X	1527 4640	exit floor
H	1255 4937	screw	P	1527 4657	hopper floor plate			
			Q	1257 1733	screw			

Adjuncts

A594 TRANSPORT SHAFT ASSEMBLIES (PLATE VIII-17)

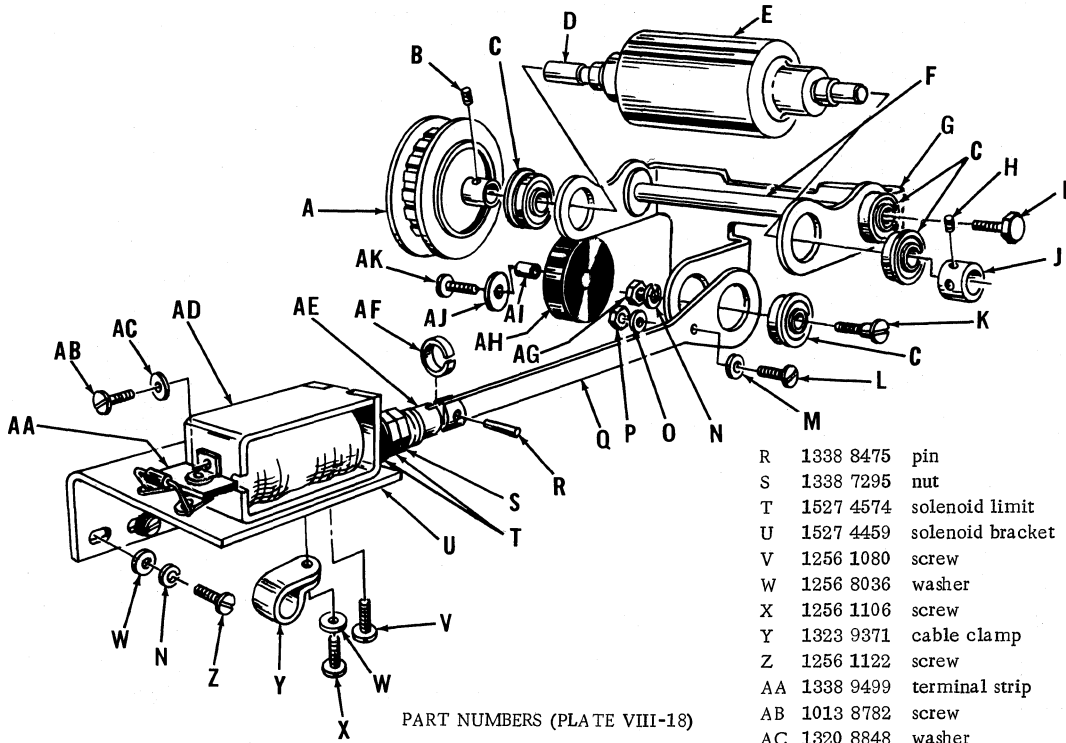


PART NUMBERS (PLATE VIII-17)

A	1527 4772	set collar	M	1527 4764	timing disk
B	1255 8078	setscrew	N	1318 1482	terminal board
C	1527 4673	transport roller	O	1256 0678	screw
D	1527 7106	shaft assembly, in- cludes one bearing	P	- - -	included in Q
E	1027 7499	spacer	Q	1527 4582	electromagnetic pickup, includes P
F	1527 4707	pulley	R	1527 4004	bracket
G	1527 7080	pulley	S	1256 7442	lockwasher
H	1255 8094	setscrew	T	1256 0868	screw
I	1256 1122	screw	U	1338 7774	nut
J	1527 7064	pulley	V	1320 9853	bearing
K	1527 7122	pulley			
L	1527 7114	shaft assembly, in- cludes one bearing			

Adjuncts

A594 KICKER ROLLER ASSEMBLY (PLATE VIII-18)

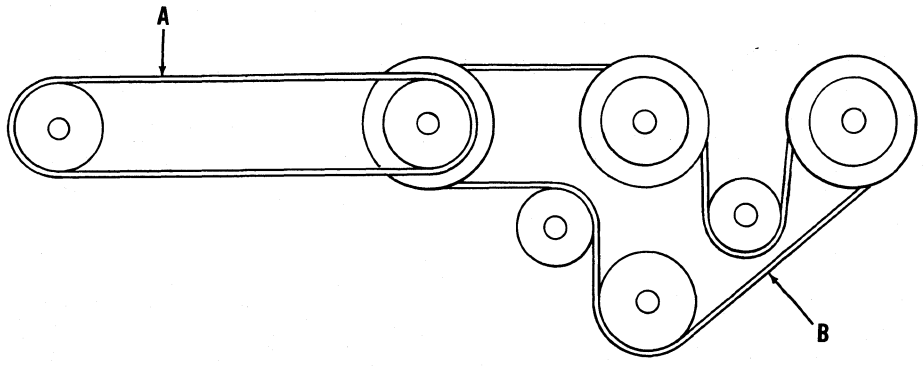


A	1527 7072	pulley
B	1255 8094	setscrew
C	1320 9853	bearing
D	1527 3956	kicker shaft, includes E
E	- - -	included in D
F	1527 4681	support shaft
G	1527 4699	support
H	1255 8078	setscrew
I	1340 3142	screw

J	1527 4772	set collar
K	1063 7403	shoulder screw
L	1522 1047	screw
M	1015 1488	washer
N	1256 7459	lockwasher
O	1256 7434	lockwasher
P	1010 0386	nut
Q	1527 4889	link

R	1338 8475	pin
S	1338 7295	nut
T	1527 4574	solenoid limit
U	1527 4459	solenoid bracket
V	1256 1080	screw
W	1256 8036	washer
X	1256 1106	screw
Y	1323 9371	cable clamp
Z	1256 1122	screw
AA	1338 9499	terminal strip
AB	1013 8782	screw
AC	1320 8848	washer
AD	1526 3726	solenoid
AE	1527 4566	solenoid plunger
AF	1337 2511	retaining ring
AG	1256 5263	nut
AH	1527 6702	eccentric rubber bumper
AI	1505 0685	sleeve
AJ	1328 0979	washer
AK	1256 0900	screw

A594 TIMING BELTS (PLATE VIII-19)



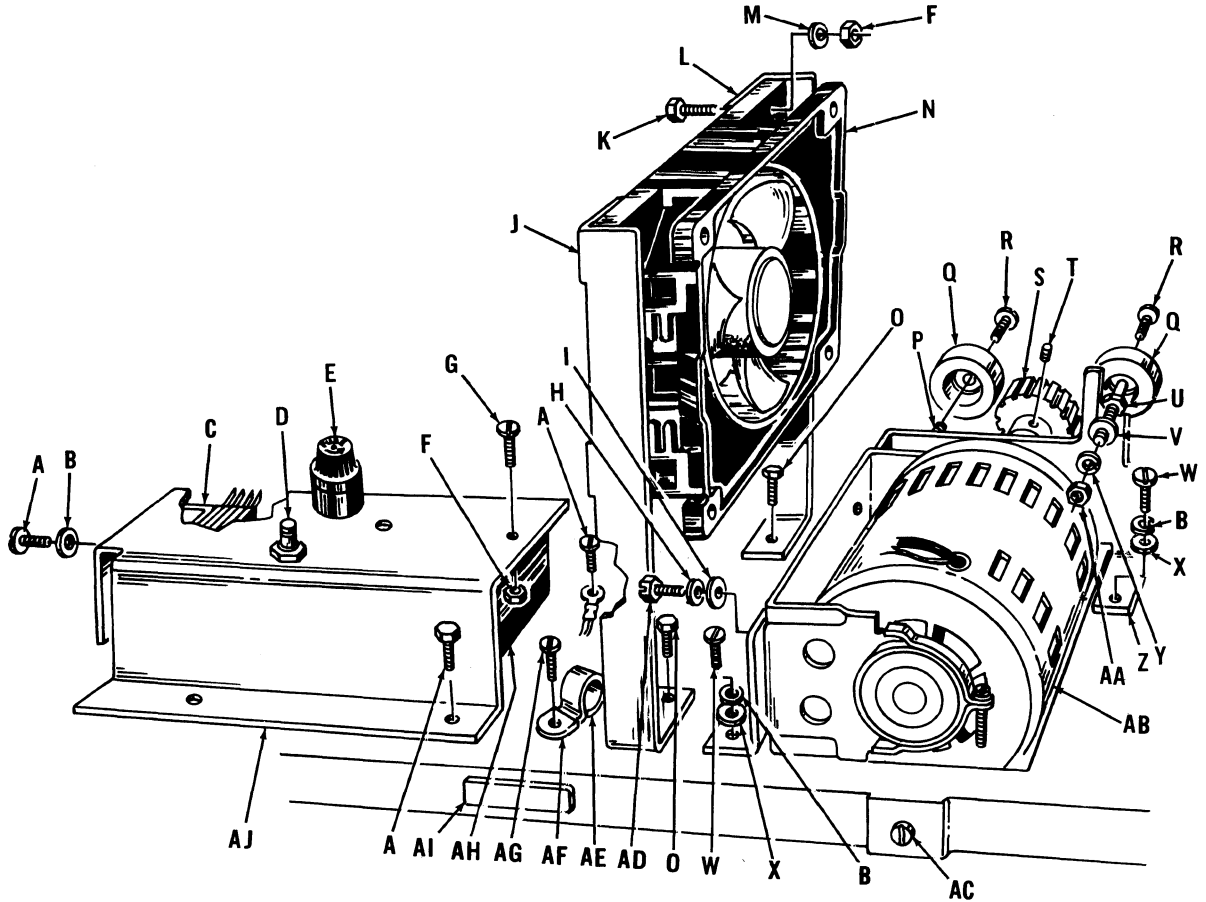
PART NUMBERS (PLATE VIII-19)

A	1527 5092	timing belt
B	1527 6710	timing belt



Adjuncts

A594 MOTOR, FAN, AND RELAY BRACKETS (PLATE VIII-20)

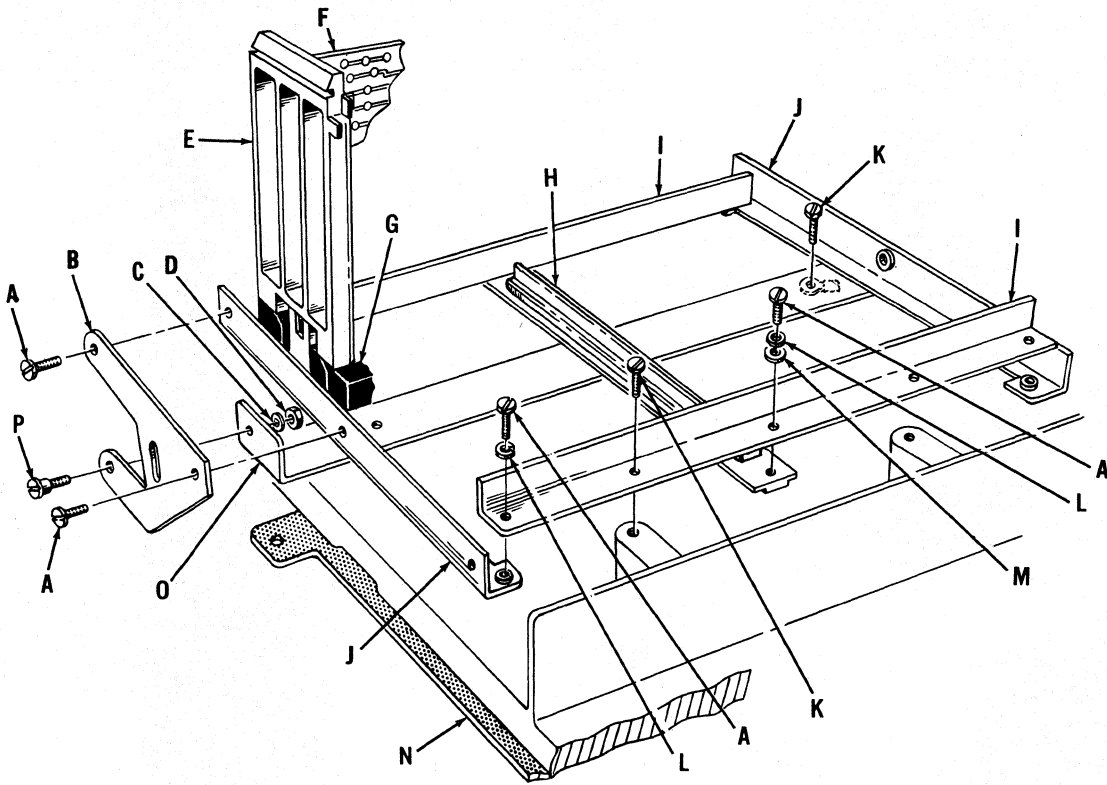


PART NUMBERS (PLATE VIII-20)

A	1256 1106	screw	N	1310 2645	muffin fan	Z	1527 4749	motor mounting
B	1256 7459	lockwasher	O	1257 2954	screw			bracket, includes P
C	1339 2097	relay	P	- - - -	included in Z	AA	1256 5271	nut
D	1319 0681	switch	Q	1527 3972	idler roller	AB	1310 9319	motor
E	1343 1259	fuse holder	R	1256 0678	screw	AC	1340 4686	screw
F	1256 5248	nut	S	1527 4723	motor pulley, 60 cycle	AD	1257 3135	screw
G	1256 0850	screw		1527 4731	motor pulley, 50 cycle	AE	1323 9280	cable clamp
H	1256 7483	lockwasher	T	1255 8391	setscrew	AF	1337 2180	"D" washer
I	1256 8093	washer	U	1527 3980	hex screw stud	AG	1256 0868	screw
J	1527 4186	bracket	V	1256 8051	washer	AH	1311 6421	motor start relay
K	1256 0892	screw	W	1256 1122	screw	AI	1526 9954	identification plate
L	1527 4194	bracket	X	1256 8036	washer	AJ	1527 4202	relay bracket
M	1256 7442	lockwasher	Y	1256 7467	lockwasher			

Adjuncts

A594 CARD RECEPTACLE FRAME ASSEMBLY (PLATE VIII-21)



PART NUMBERS (PLATE VIII-21)

A	1256 0843	screw	G	1504 0090	card receptacle
B	1527 4608	pivot plate	H	1527 4079	rail
C	1256 7715	lockwasher	I	1527 4012	support rail
D	1256 5230	nut	J	1527 4020	tie rail
E	1337 2693	card guide	K	1256 1106	screw
F	- - -	printed circuit cards	L	1256 7442	lockwasher
	1527 5134	I.C. 1	M	1256 8010	washer
	1527 5167	I.C. 2	N	1527 5068	bottom cover
	1527 5191	MOS & SHIFT REGISTER	O	1527 4061	bracket
	1527 5225	DISCRETE 1	P	1018 0149	shoulder screw
	1527 5258	DISCRETE 2			
	1527 5415	SOLAR CELL AMP			