


1

2

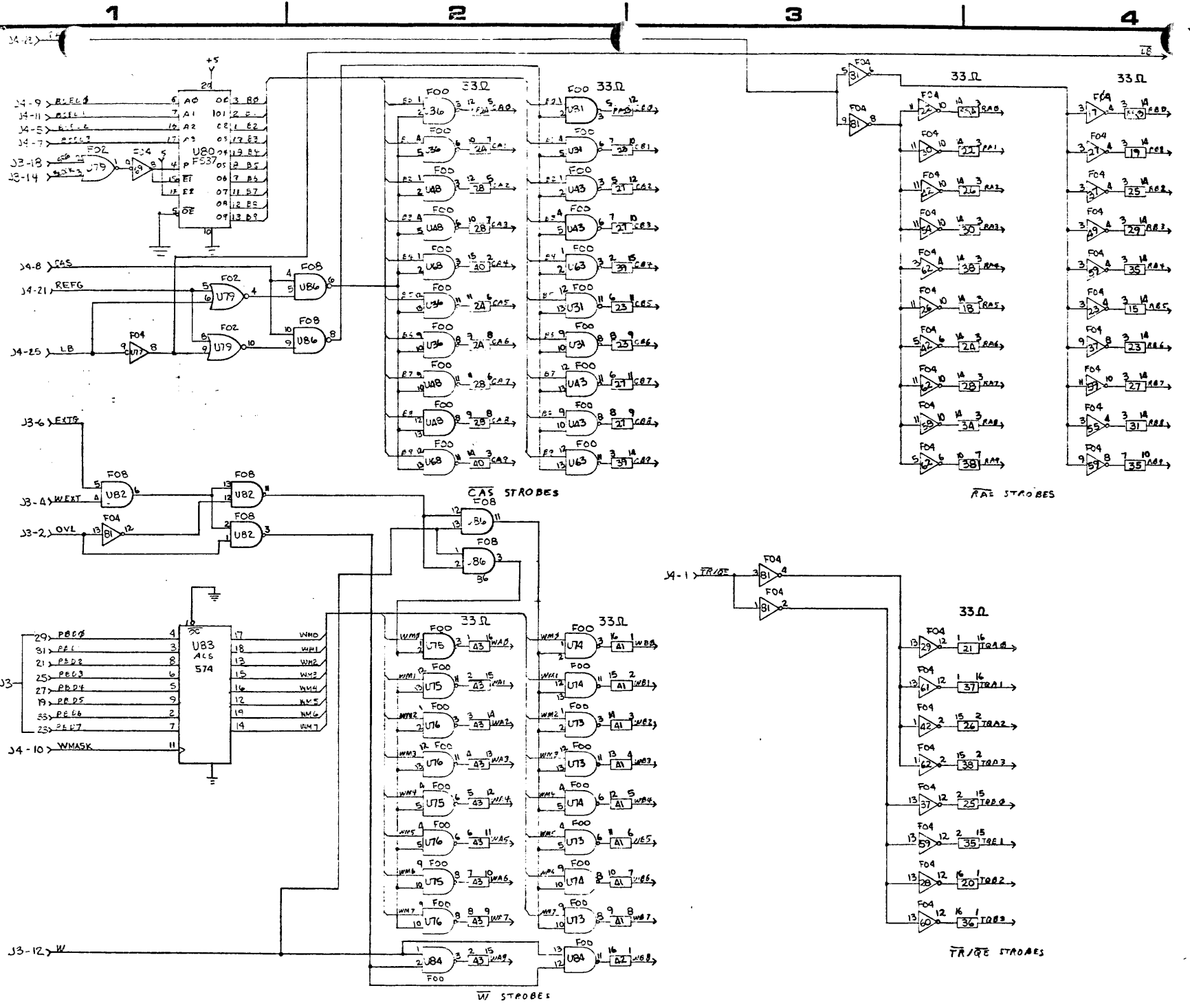
3

4

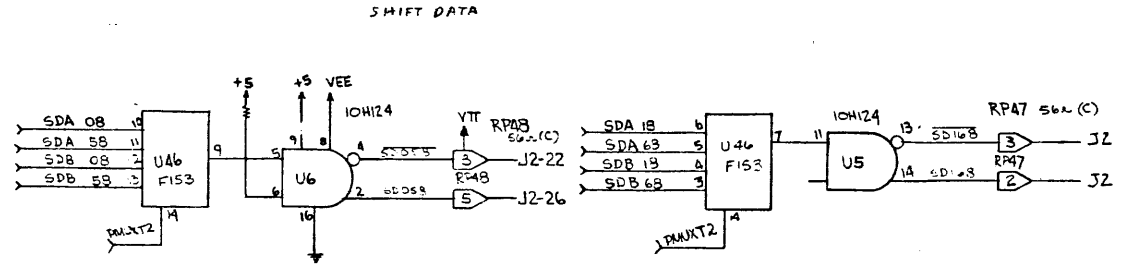
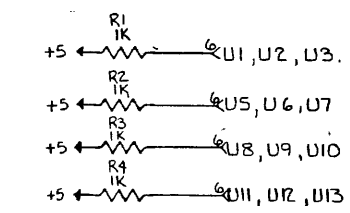
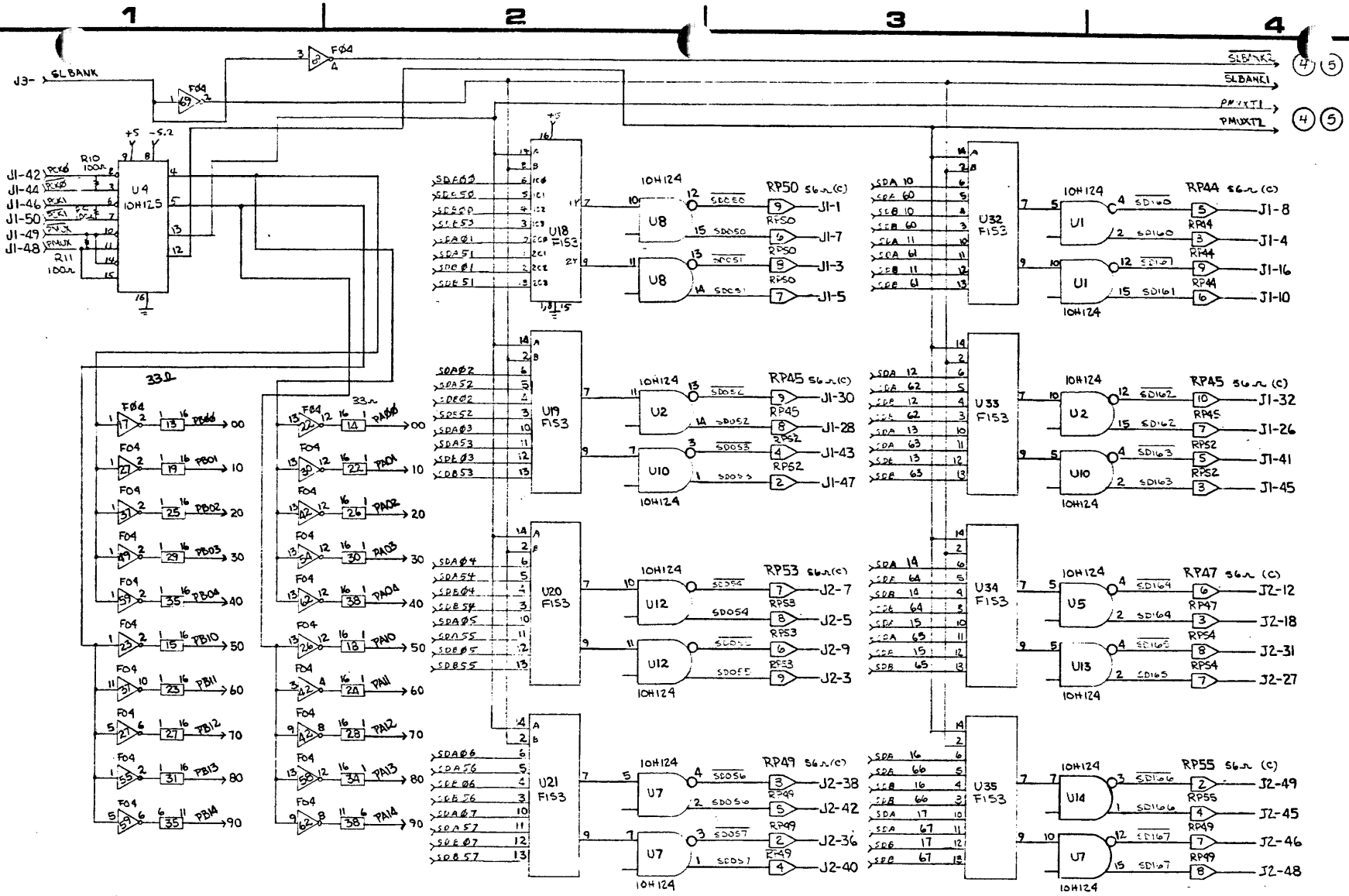
ISSUE	DESCRIPTION	DATE	APPROVED
A	ECO 2552	12/85	<i>AP</i>

-03	-02	-01	PART NUMBER	CODE IDENT	DESCRIPTION	ITEM NO.		
QTY REQD			MATERIAL			DWN.		
TOLERANCE UNLESS OTHERWISE SPECIFIED			FINISH			CHK		
.XX = ±			DRAWING TITLE			APPD. <i>AP</i> 12/85		
.XXX = ±								
ANGULAR SURFACE								
SCALE			SCHEMATIC . MEMORY ARRAY 1280					
DASH NO.	NEXT ASBY	USED ON	ADVANCED ELECTRONICS DESIGN, INC.			DRAWING NUMBER		
01	120251-01	1250	SUNNYVALE, CALIF. 94088			120252-01		
APPLICATION						REV A		

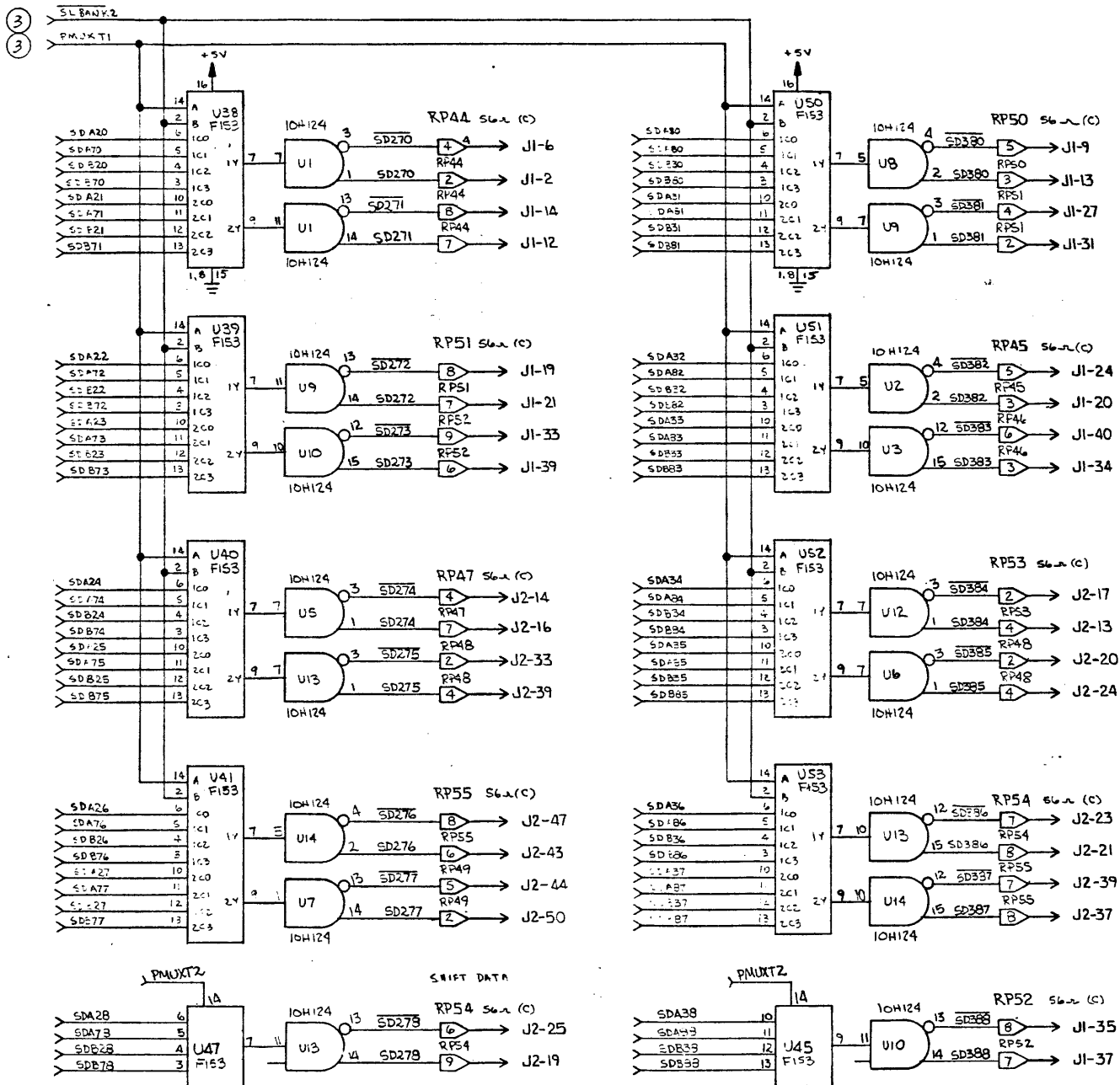
A
B
C
D



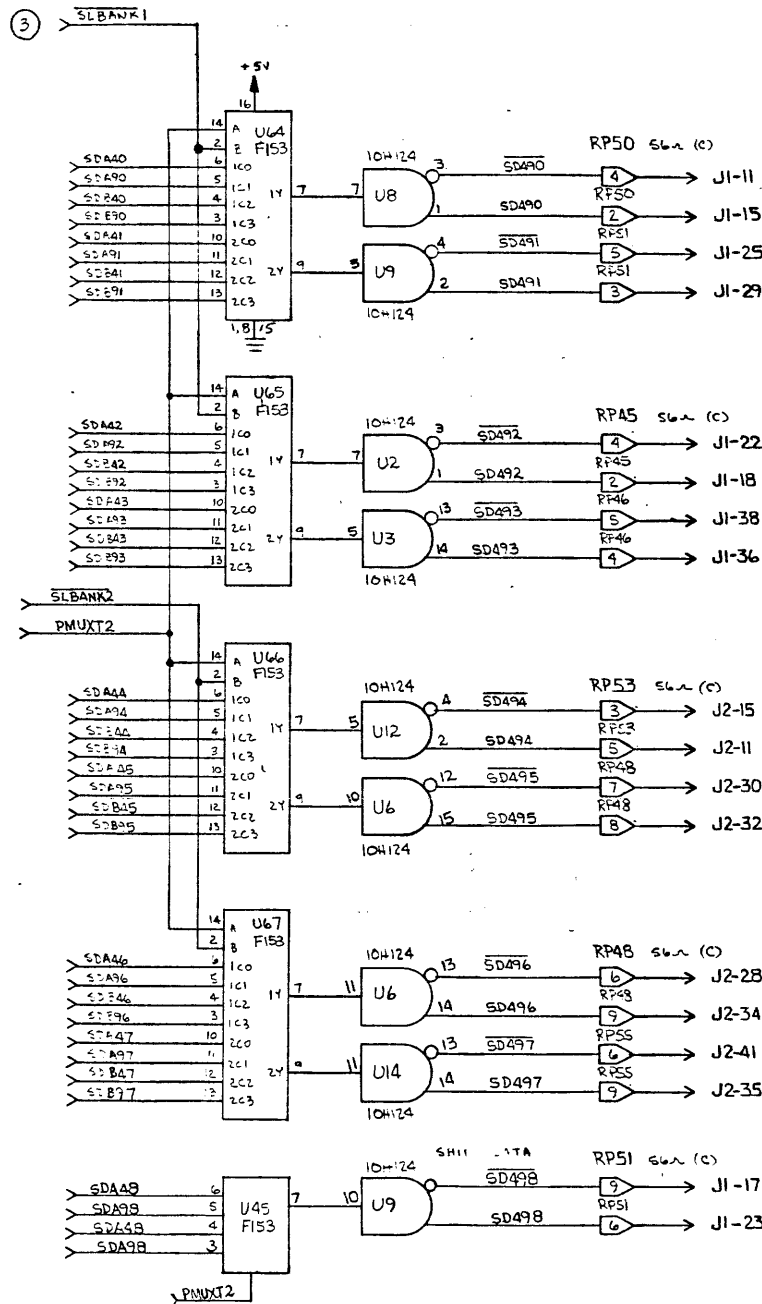
VIDEO MEMORY CONTROL 1



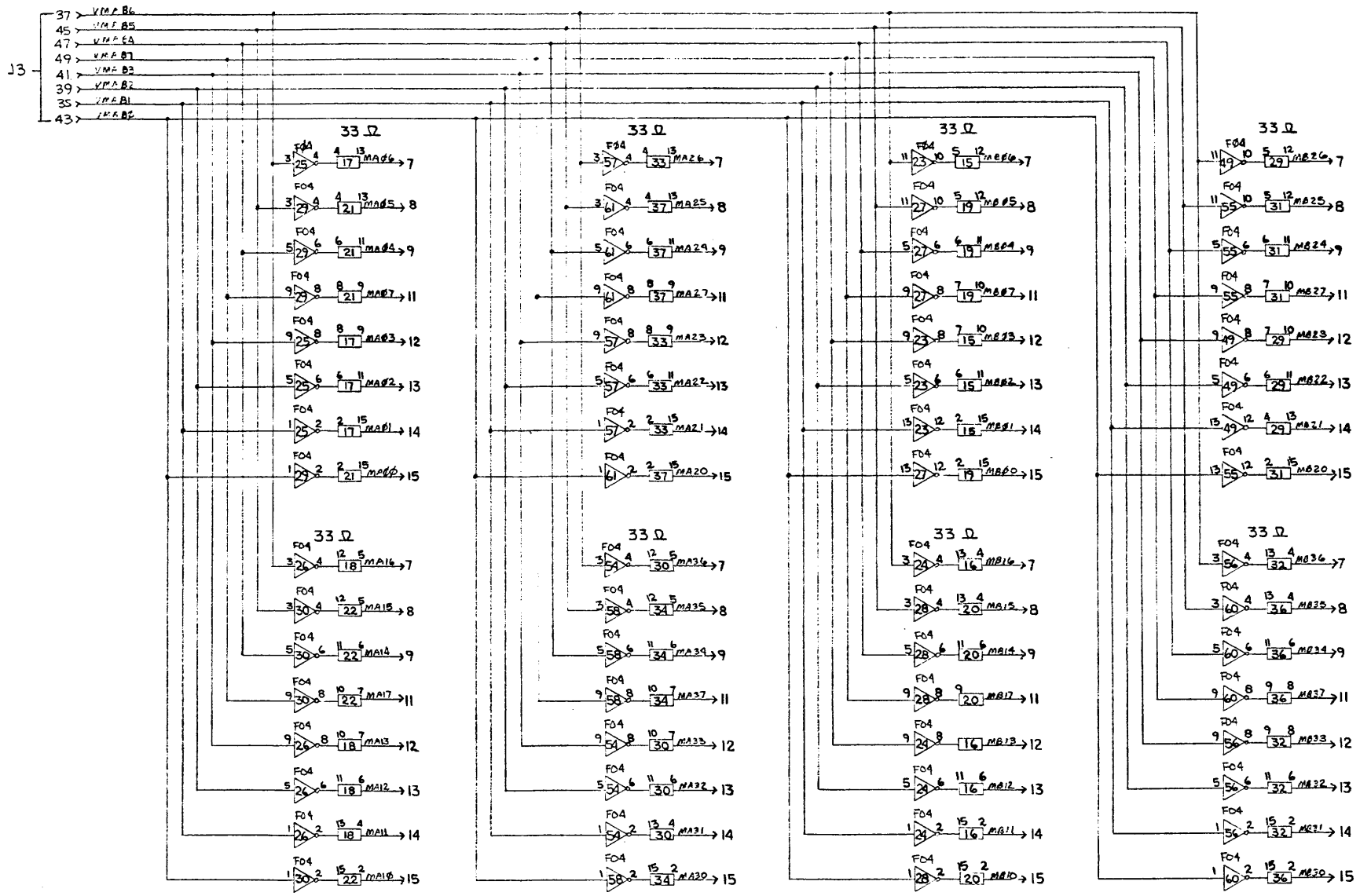
VIDEO MEMORY CONTROL 2



VIDEO MEMORY CONTROL 3



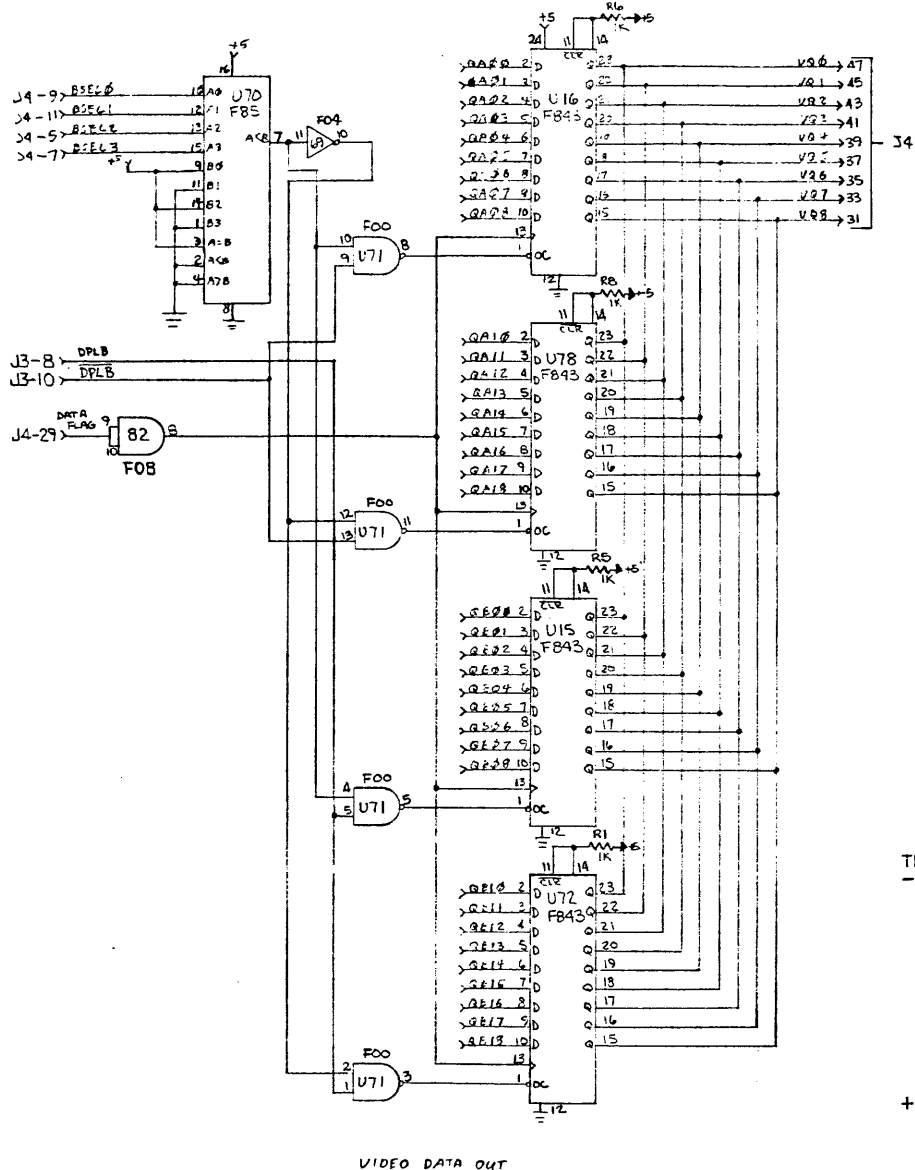
VIDEO MEMORY CONTROL 4



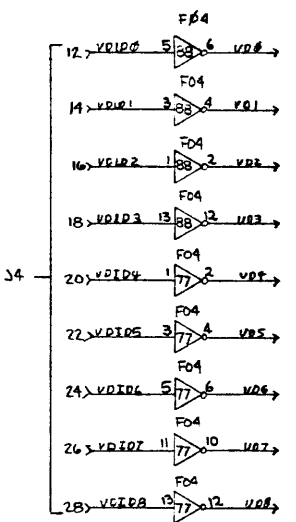
EO ADDRESS DRIVERS

VIDEO MEMORY CONTROLS

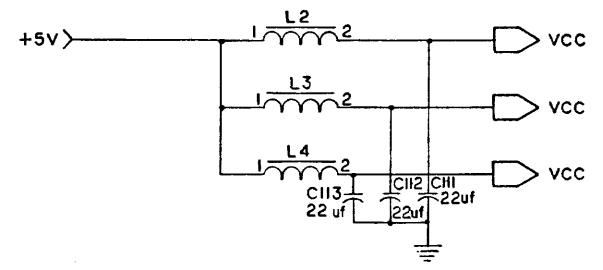
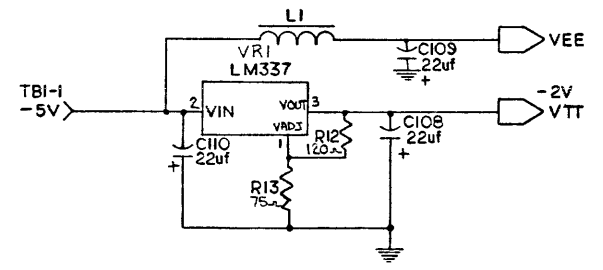
	ADVANCED ELECTRONICS DESIGN, INC. SUNNYVALE, CALIF. 94086	C	DRAWING NUMBER 120252-01	REV A
	SHEET 1 OF 20			



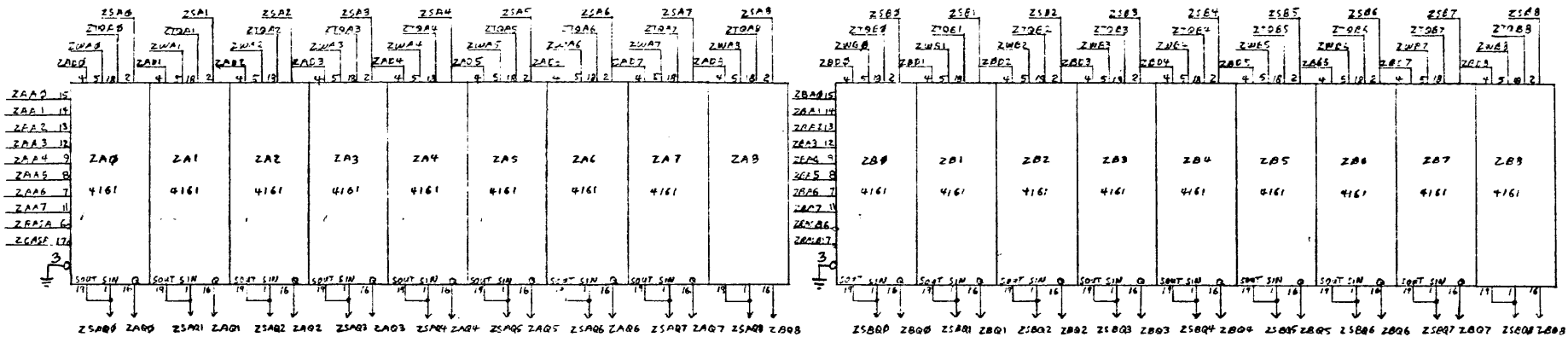
VIDEO DATA OUT



VIDEO DATA IN



VIDEO MEMORY CONTROL 6



LINE BANK A

BANK	ADDRESS 0 (ONLY ONE LINE SHOWN)									DATA IN									DATA OUT								
	ZAA0	ZAA1	ZAA2	ZAA3	ZAA4	ZAA5	ZAA6	ZAA7	ZAA8	ZAD0	ZAD1	ZAD2	ZAD3	ZAD4	ZAD5	ZAD6	ZAD7	ZAD8	ZAQ0	ZAQ1	ZAQ2	ZAQ3	ZAQ4	ZAQ5	ZAQ6	ZAQ7	ZAQ8
0	MA00									MA10									QA00	QA01	QA02	QA03	QA04	QA05	QA06	QA07	QA08
5																			QA10	11	12	13	14	15	16	17	18
1																			QA00	01	02	03	04	05	06	07	08
6																			QA10	11	12	13	14	15	16	17	18
2																			QA00	01	02	03	04	05	06	07	08
7	MA20									MA30									QA10	11	12	13	14	15	16	17	18
3																			QA00	01	02	03	04	05	06	07	08
8																			QA10	11	12	13	14	15	16	17	18
4																			QA00	01	02	03	04	05	06	07	08
9										VD0	VD1	VD2	VD3	VD4	VD5	VD6	VD7	VD8	QA10	QA11	QA12	QA13	QA14	QA15	QA16	QA17	QA18

LINE BANK B

BANK	ADDRESS 0									DATA IN									DATA OUT								
	ZBA0	ZBA1	ZBA2	ZBA3	ZBA4	ZBA5	ZBA6	ZBA7	ZBA8	ZBD0	ZBD1	ZBD2	ZBD3	ZBD4	ZBD5	ZBD6	ZBD7	ZBD8	ZBQ0	ZBQ1	ZBQ2	ZBQ3	ZBQ4	ZBQ5	ZBQ6	ZBQ7	ZBQ8
0	MB00									MB10									QB00	QB01	QB02	QB03	QB04	QB05	QB06	QB07	QB08
5																			QB10	11	12	13	14	15	16	17	18
1																			QB00	01	02	03	04	05	06	07	08
6																			QB10	11	12	13	14	15	16	17	18
2																			QB00	01	02	03	04	05	06	07	08
7	MB20									MB30									QB10	11	12	13	14	15	16	17	18
3																			QB00	01	02	03	04	05	06	07	08
8																			QB10	11	12	13	14	15	16	17	18
4																			QB00	01	02	03	04	05	06	07	08
9										VD0	VD1	VD2	VD3	VD4	VD5	VD6	VD7	VD8	QB10	QB11	QB12	QB13	QB14	QB15	QB16	QB17	QB18

VIDEO MEMORY ARRAY 1

	ADVANCED ELECTRONICS DESIGN, INC. SUNNYVALE, CALIF. 94086	C	DRAWING NUMBER 120252-01	REV A

1

2

3

4

SHIFT CLOCK										SHIFT DATA OUT										WRITE									
BANK	ZSA0	ZSA1	ZSA2	ZSA3	ZSA4	ZSA5	ZSA6	ZSA7	ZSA8	ZSA9	ZSA01	ZSA02	ZSA03	ZSA04	ZSA05	ZSA06	ZSA07	ZSA08	ZSA09	ZWA0	ZWA1	ZWA2	ZWA3	ZWA4	ZWA5	ZWA6	ZWA7	ZWA8	
0	PA00										SCA00	SDA01	SDA02	SDA03	SDA04	SDA05	SDA06	SDA07	SDA08										
5	PA10										SCA50	SDA51	SDA52	SDA53	SDA54	SDA55	SDA56	SDA57	SDA58										
1	PA01										SCA10	SDA11	SDA12	SDA13	SDA14	SDA15	SDA16	SDA17	SDA18										
6	PA11										SCA60	SDA61	SDA62	SDA63	SDA64	SDA65	SDA66	SDA67	SDA68										
2	PA02										SCA20	SDA21	SDA22	SDA23	SDA24	SDA25	SDA26	SDA27	SDA28										
7	PA12										SCA70	SDA71	SDA72	SDA73	SDA74	SDA75	SDA76	SDA77	SDA78										
3	PA03										SCA30	SDA31	SDA32	SDA33	SDA34	SDA35	SDA36	SDA37	SDA38										
8	PA13										SCA80	SDA81	SDA82	SDA83	SDA84	SDA85	SDA86	SDA87	SDA88										
4	PA04										SCA40	SDA41	SDA42	SDA43	SDA44	SDA45	SDA46	SDA47	SDA48										
9	PA14										SCA90	SDA91	SDA92	SDA93	SDA94	SDA95	SDA96	SDA97	SDA98	W00	W01	W02	W03	W04	W05	W06	W07	W08	

SHIFT CLOCK										SHIFT DATA OUT										WRITE									
BANK	ZSB0	ZSB1	ZSB2	ZSB3	ZSB4	ZSB5	ZSB6	ZSB7	ZSB8	ZSB9	ZSB00	ZSB01	ZSB02	ZSB03	ZSB04	ZSB05	ZSB06	ZSB07	ZSB08	ZWB0	ZWB1	ZWB2	ZWB3	ZWB4	ZWB5	ZWB6	ZWB7	ZWB8	
0											PB00	SCB00	SDB01	SDB02	SDB03	SDB04	SDB05	SDB06	SDB07	SDB08									
5											PB10	SCB50	SDB51	SDB52	SDB53	SDB54	SDB55	SDB56	SDB57	SDB58									
1											PB01	SCB10	SDB11	SDB12	SDB13	SDB14	SDB15	SDB16	SDB17	SDB18									
6											PB11	SCB60	SDB61	SDB62	SDB63	SDB64	SDB65	SDB66	SDB67	SDB68									
2											PB02	SCB20	SDB21	SDB22	SDB23	SDB24	SDB25	SDB26	SDB27	SDB28									
7											PB12	SCB70	SDB71	SDB72	SDB73	SDB74	SDB75	SDB76	SDB77	SDB78									
3											PB03	SCB30	SDB31	SDB32	SDB33	SDB34	SDB35	SDB36	SDB37	SDB38									
8											PB13	SCB80	SDB81	SDB82	SDB83	SDB84	SDB85	SDB86	SDB87	SDB88									
4											PB04	SCB40	SDB41	SDB42	SDB43	SDB44	SDB45	SDB46	SDB47	SDB48									
9											PB14	SCB90	SDB91	SDB92	SDB93	SDB94	SDB95	SDB96	SDB97	SDB98	W00	W01	W02	W03	W04	W05	W06	W07	W08

VIDEO MEMORY ARRAY 2



ADVANCED ELECTRONICS
DESIGN, INC.
SUNNYVALE, CALIF. 94086

C

DRAWING NUMBER
120252-01

REV
A

BANK	TR/RE								RAS								CAS											
	ZTQA0	ZTQA1	ZTQA2	ZTQA3	ZTQA4	ZTQA5	ZTQA6	ZTQA7	ZTQA8	ZTQA9	ZTQA0	ZTQA1	ZTQA2	ZTQA3	ZTQA4	ZTQA5	ZTQA6	ZTQA7	ZTQA8	ZTQA9	ZTQA0	ZTQA1	ZTQA2	ZTQA3	ZTQA4	ZTQA5	ZTQA6	ZTQA7
0	TQA0																											
5																												
1																												
6																												
2																												
7																												
3																												
8																												
4																												
9	TQA2																											

BANK	TR/RE								RAS								CAS											
	ZTQB0	ZTQB1	ZTQB2	ZTQB3	ZTQB4	ZTQB5	ZTQB6	ZTQB7	ZTQB8	ZTQB9	ZTQB0	ZTQB1	ZTQB2	ZTQB3	ZTQB4	ZTQB5	ZTQB6	ZTQB7	ZTQB8	ZTQB9	ZTQB0	ZTQB1	ZTQB2	ZTQB3	ZTQB4	ZTQB5	ZTQB6	ZTQB7
0	TQB0																											
5																												
1																												
6																												
2																												
7																												
3																												
8																												
4																												
9	TQB2																											

VIDEO MEMORY ARRAY B



ADVANCED ELECTRONICS
DESIGN, INC.
SUNNYVALE, CALIF. 94086

C

DRAWING NUMBER
120252-01

REV.
A

1

2

3

4

ECL

BIT PLANES

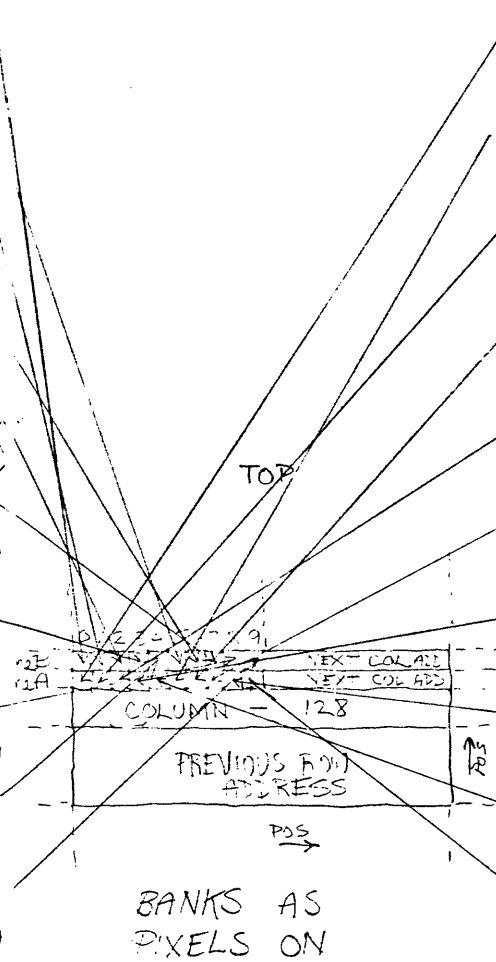
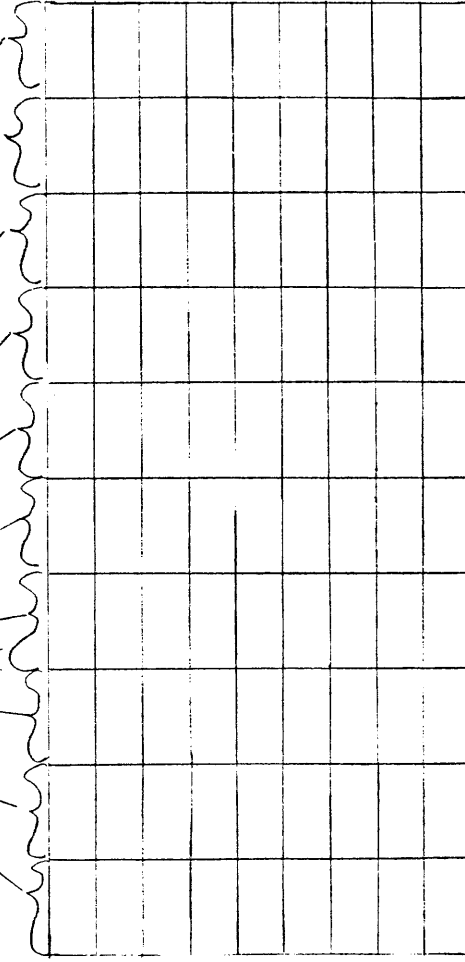
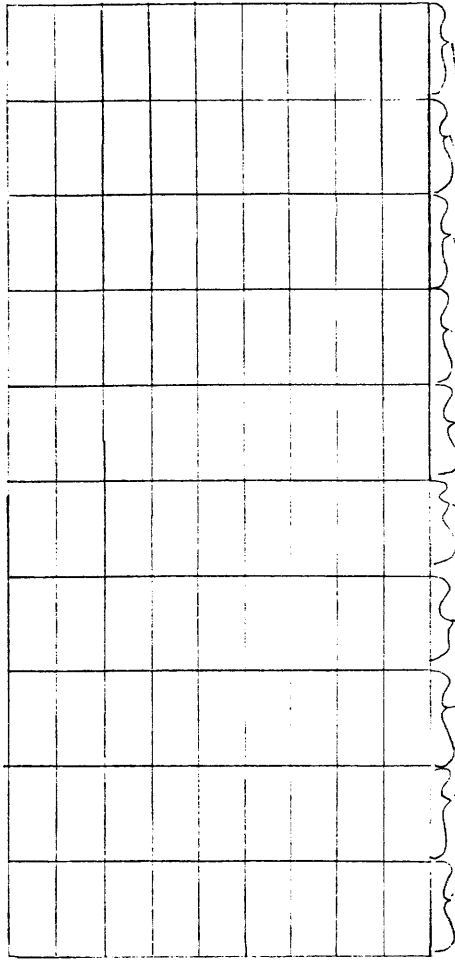
BIT PLANES

0 1 2 3 4 5 6 7 8

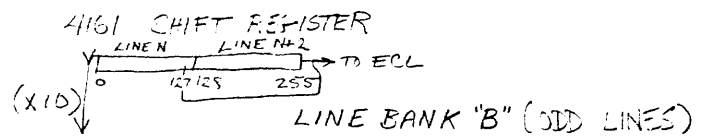
0 1 2 3 4 5 6 7 8

BANKS (PIXEL POSITION IN GROUP OF TEN)

0
5
1
6
2
7
3
8
4
9



BANKS AS
PIXELS ON
DISPLAY



CONTROL
↓

LINE BANK "A" (EVEN LINES)

1280 MEMORY FLOOR PLAN

	ADVANCED ELECTRONICS DESIGN, INC. SUNNYVALE, CALIF. 94086	C	DRAWING NUMBER 20252-01	REV A
	SHEET 11 OF 20			

A
B
C
D