

THE INFORMATION CONTAINED HEREON IS THE PROPERTY OF
 AGT ABLE COMPUTER TECHNOLOGY, INC. TRANSMITTAL, RECEIPT
 OR POSSESSION OF THE INFORMATION DOES NOT EXPRESS,
 LICENSE, OR IMPLY ANY RIGHTS TO USE, SELL, OR MANUFAC-
 TURE FROM THIS INFORMATION AND NO REPRODUCTION OR
 PUBLICATION OF IT, IN WHOLE OR IN PART, SHALL BE MADE
 WITHOUT WRITTEN AUTHORIZATION FROM AN OFFICER OF
 THE ABOVE FIRM.

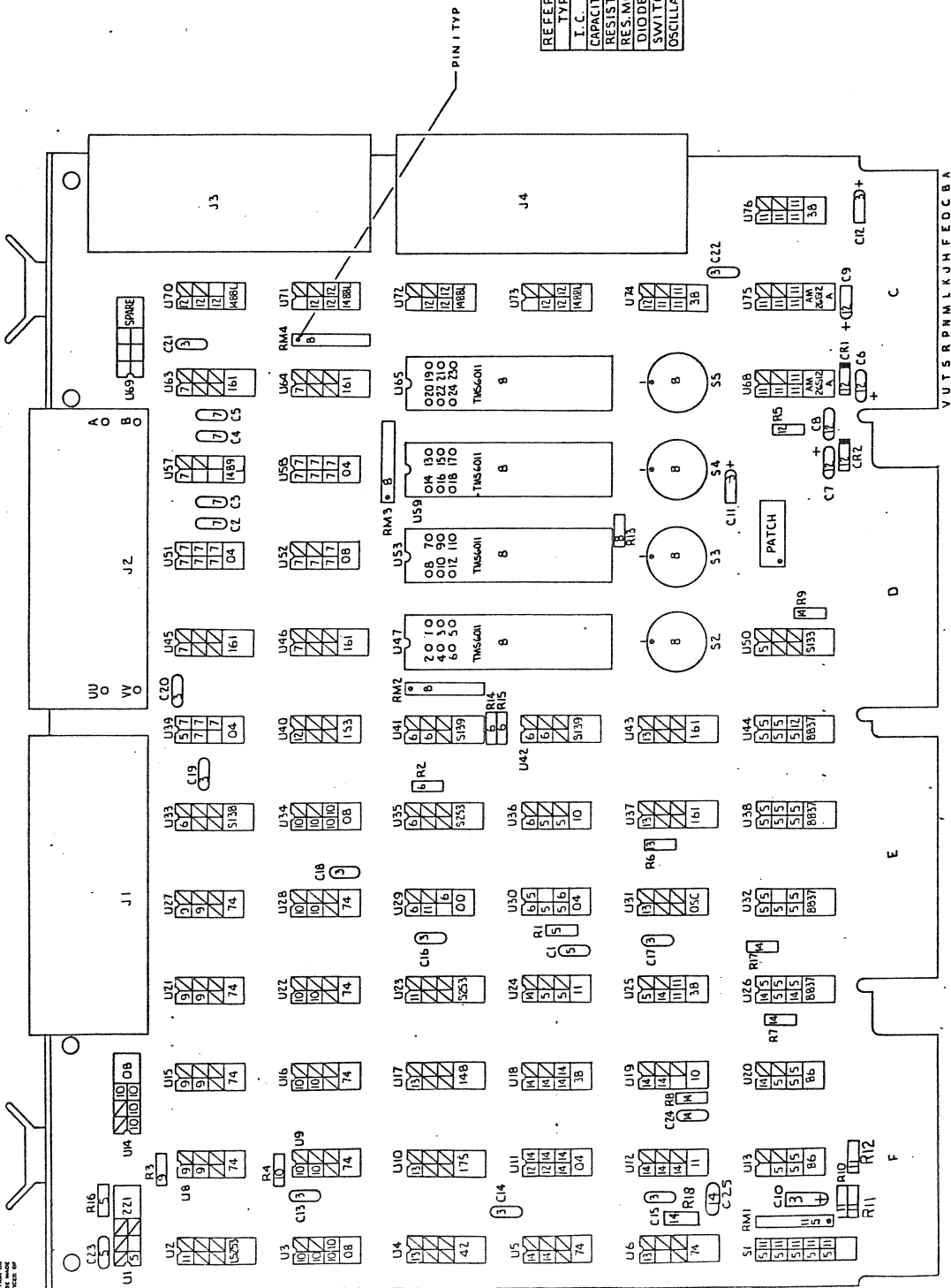
REVISIONS			
LTR	DESCRIPTION	DATE	APPROVED
D	PROD. REL PER E.O. 00009	9-5-78	JRW
H	REVISED PER E.O. 00144	12-20-79	JRW

REF. ONLY

TOLERANCES UNLESS OTHERWISE SPECIFIED		AGT ABLE COMPUTER TECHNOLOGY	
FRACTIONS	DEC	SCHEMATIC	
±	±	QUADRASYNC / B	
APPROVALS	DATE	SCALE	SIZE
DRAWN JRT	10-13-77		B
CHECKER	9-5-78	DRAWING NO.	10015003
	9-5-78	DO NOT SCALE DRAWING	SHEET 1 OF 15

2. ALL CAPACITORS ARE IN MICRO-FARADS.
 1. ALL RESISTORS ARE 1/4W, 5%.
- NOTES: UNLESS OTHERWISE SPECIFIED.

THE INFORMATION CONTAINED HEREIN IS THE PROPERTY OF
 THE AIR FORCE AND IS LOANED TO YOU. IT AND ITS
 CONTENTS ARE NOT TO BE DISTRIBUTED OUTSIDE
 YOUR AGENCY. THIS INFORMATION IS NOT TO BE
 REPRODUCED OR TRANSMITTED IN ANY FORM OR
 BY ANY MEANS, ELECTRONIC OR MECHANICAL,
 INCLUDING PHOTOCOPYING, RECORDING, OR BY
 ANY INFORMATION STORAGE AND RETRIEVAL
 SYSTEM.



TYPE	LAST USED	NOT USED
I. C.	U 76	
CAPACITOR	C 28	
RESISTOR	R 18	
RES. MOD.	RM 4	
DIODE	C 8 2	
SWITCH	S 5	
OSCILLATOR	U 31	

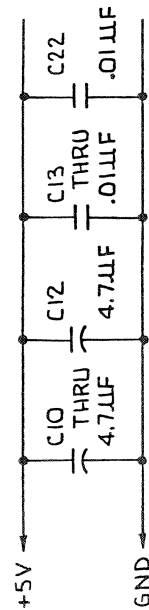
THE INFORMATION CONTAINED HEREON IS THE PROPERTY OF
 ABLER COMPUTER TECHNOLOGY, INC. TRANSMITTAL, RECEIPT
 OR POSSESSION OF THE INFORMATION DOES NOT EXPRESS
 LICENSE, OR IMPLY ANY RIGHTS TO USE, SELL, OR MANUFAC-
 TURE FROM THIS INFORMATION AND NO REPRODUCTION OR
 PUBLICATION OF IT, IN WHOLE OR IN PART, SHALL BE MADE
 WITHOUT WRITTEN AUTHORIZATION FROM AN OFFICER OF
 THE ABOVE FIRM.

SHT	2	F	1	SHT
	+5V	A		
	GND	B		
		C	BUS-SSYN-L 5	
		D	BUS-BBSY-L 14	
		E		
		F		
		H		
		J		
		K		
		L		
		M	BUS-INTR-L 14	
		N		
		P		
		R		
		S		
14	BUS-SACK-L	T		
		U		
		V		

SHT	2	E	1	SHT
	+5V	A		
	GND	B		
5	A15-L	C	A12-L 5	
5	A16-L	D	A17-L 5	
5	C1-L	E	BUS-MSYN-L 5	
5	A00-L	F	A02-L 5	
5	A13-L	H	A01-L 5	
5	A08-L	J		
5	A07-L	K	A14-L 5	
		L	A11-L 5	
		M		
5	A04-L	N		
5	A03-L	P	A10-L 5	
		R	A09-L 5	
		S		
		T		
5	A04-L	U	A06-L 5	
5	A03-L	V	A05-L 5	

SHT	2	D	1	SHT
	+5V	A		
	GND	B		
15	BR7-L	C		
15	BR6-L	D		
15	BR5-L	E		
15	BR4-L	F		
15	BG7-IN	H		
15	BG6-IN	J		
15	BG5-OUT	K		
15	BG4-OUT	L	BUS-INIT-L 12	
15	BG3-OUT	M		
15	BG2-OUT	N		
15	BG1-OUT	P		
15	BG0-OUT	R		
15	BG7-OUT	S		
15	BG6-OUT	T		
15	BG5-OUT	U		
15	BG4-OUT	V		

SHT	2	C	1	SHT
12	+5V	A		
	-15VDC	B		
	GND	C		
		D		
		E		
		F		
		H		
		J		
		K		
11	D08-L	L		
11	D07-L	M		
11	D04-L	N		
11	D05-L	P		
11	D01-L	R		
11	D00-L	S		
11	D03-L	T		
11	D02-L	U	+V	
11	D06-L	V		12



THE INFORMATION CONTAINED HEREON IS THE PROPERTY OF
 ABL COMPUTER TECHNOLOGY, INC. TRANSMITTAL, RECEIPT
 OR POSSESSION OF THE INFORMATION DOES NOT EXPRESS
 LICENSE, OR IMPLY ANY RIGHTS TO USE, SELL, OR MANUFAC-
 TURE FROM THIS INFORMATION AND NO REPRODUCTION OR
 PUBLICATION OF IT, IN WHOLE OR IN PART, SHALL BE MADE
 WITHOUT WRITTEN AUTHORIZATION FROM AN OFFICER OF
 THE ABOVE FIRM.

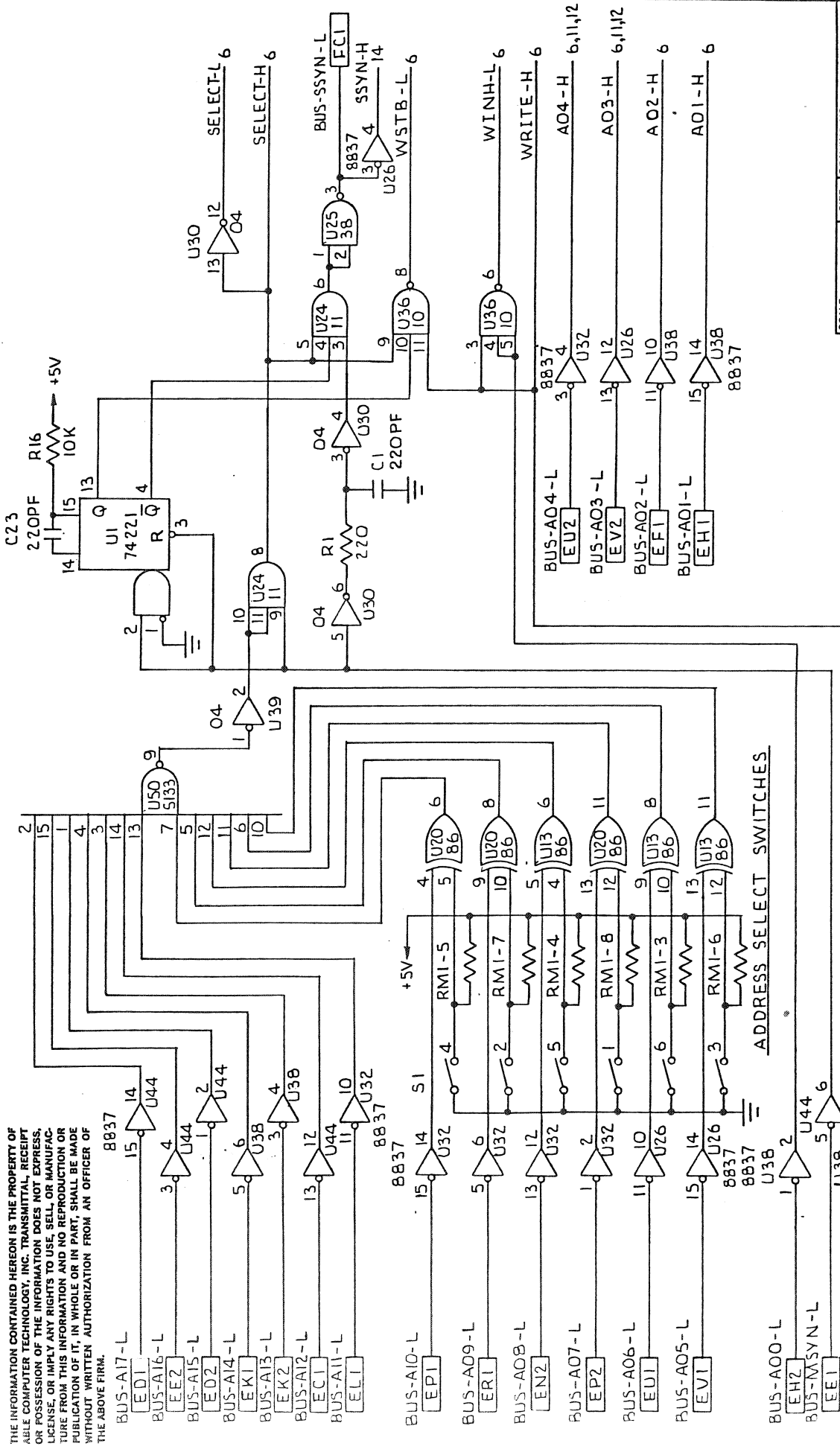
SHT	J 1						SHT
	GND	1 UU	VV	2	GND	+5V	
		3	SS	TT	4		
		5	PP	RR	6		
		7	MM	NN	8		
		9	KK	LL	10		
		11	HH	JJ	12		
		13	EE	FF	14		
		15	CC	DD	16	RDY-1	12
		17	AA	BB	18		
		19	Y	Z	20		
		21	W	X	22		
		23	U	V	24	SEND-1	12
		25	S	T	26		
		27	P	R	28		
		29	M	N	30		
		31	K	L	32		
		33	H	J	34	REC-DATA-1	7
		35	E	F	36	DATA-1	12
		37	C	D	38		
	GND	39	A	B	40	GND	

SHT	J 3						SHT
	GND	1 UU	VV	2	GND	+5V	
		3	SS	TT	4		
		5	PP	RR	6		
		7	MM	NN	8		
		9	KK	LL	10		
		11	HH	JJ	12		
		13	EE	FF	14		
		15	CC	DD	16	RDY-3	12
		17	AA	BB	18		
		19	Y	Z	20		
		21	W	X	22		
		23	U	V	24	SEND-3	12
		25	S	T	26		
		27	P	R	28		
		29	M	N	30		
		31	K	L	32		
		33	H	J	34	REC-DATA-3	7
		35	E	F	36	DATA-3	
		37	C	D	38		
	GND	39	A	B	40	GND	

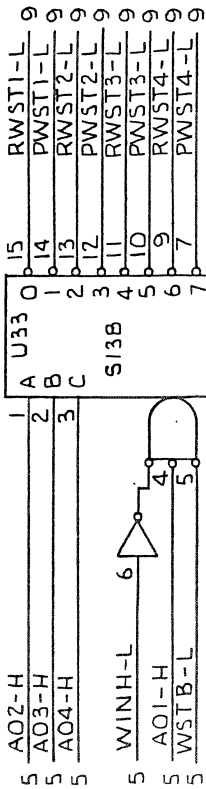
SHT	J 2						SHT
	GND	1 UU	VV	2	GND	+5V	
		3	SS	TT	4		
		5	PP	RR	6		
		7	MM	NN	8		
		9	KK	LL	10		
		11	HH	JJ	12		
		13	EE	FF	14		
		15	CC	DD	16	RDY-2	12
		17	AA	BB	18		
		19	Y	Z	20		
		21	W	X	22		
		23	U	V	24	SEND-2	12
		25	S	T	26		
		27	P	R	28		
		29	M	N	30		
		31	K	L	32		
		33	H	J	34	REC-DATA-2	7
		35	E	F	36	DATA-2	12
		37	C	D	38		
	GND	39	A	B	40	GND	

SHT	J 4						SHT
	GND	1 UU	VV	2	GND	+5V	
		3	SS	TT	4		
		5	PP	RR	6		
		7	MM	NN	8		
		9	KK	LL	10		
		11	HH	JJ	12		
		13	EE	FF	14		
		15	CC	DD	16	RDY-4	12
		17	AA	BB	18		
		19	Y	Z	20		
		21	W	X	22		
		23	U	V	24	SEND-4	12
		25	S	T	26		
		27	P	R	28		
		29	M	N	30		
		31	K	L	32		
		33	H	J	34	REC-DATA-4	7
		35	E	F	36	DATA-4	12
		37	C	D	38		
	GND	39	A	B	40	GND	

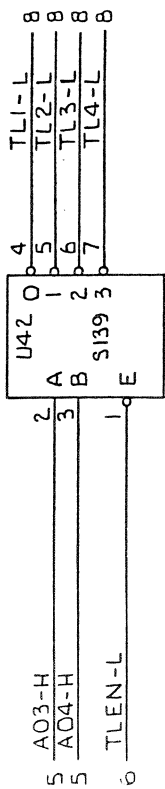
THE INFORMATION CONTAINED HEREON IS THE PROPERTY OF
 ABBE COMPUTER TECHNOLOGY, INC. TRANSMITTAL RECEIPT
 OR POSSESSION OF THE INFORMATION DOES NOT EXPRESS
 LICENSE, OR IMPLY ANY RIGHTS TO USE, SELL, OR MANUFACTURE
 FROM THIS INFORMATION AND NO REPRODUCTION OR
 PUBLICATION OF IT, IN WHOLE OR IN PART, SHALL BE MADE
 WITHOUT WRITTEN AUTHORIZATION FROM AN OFFICER OF
 THE ABOVE FIRM.



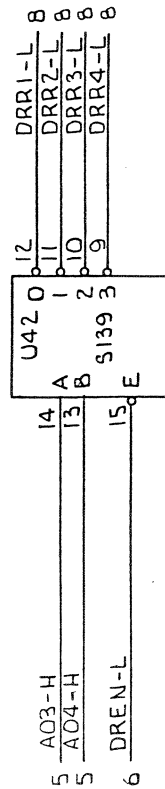
THE INFORMATION CONTAINED HEREON IS THE PROPERTY OF
 APPLE COMPUTER TECHNOLOGY, INC. TRANSMITTAL, RECEIPT
 OR POSSESSION OF THE INFORMATION DOES NOT EXPRESS
 LICENSE, OR IMPLY ANY RIGHTS TO USE, SELL, OR MANUFACTURE
 FROM THIS INFORMATION AND NO REPRODUCTION OR
 PUBLICATION OF IT, IN WHOLE OR IN PART, SHALL BE MADE
 WITHOUT WRITTEN AUTHORIZATION FROM AN OFFICER OF
 THE ABOVE FIRM.



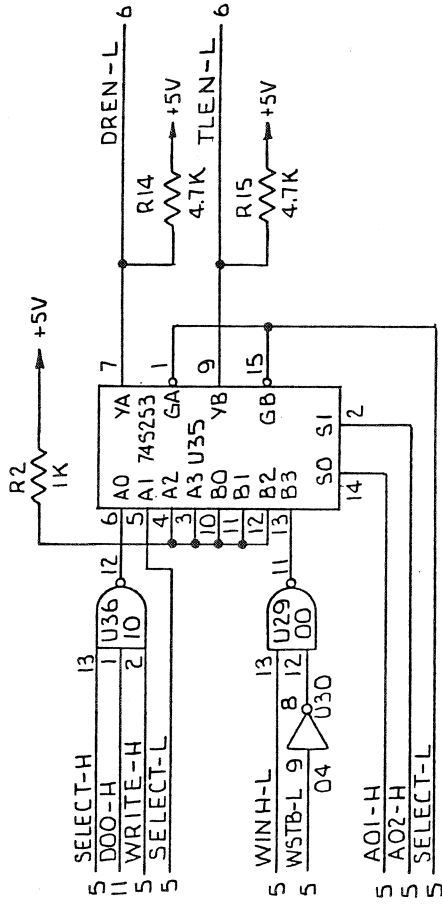
READ / WRITE STATUS CLOCKS



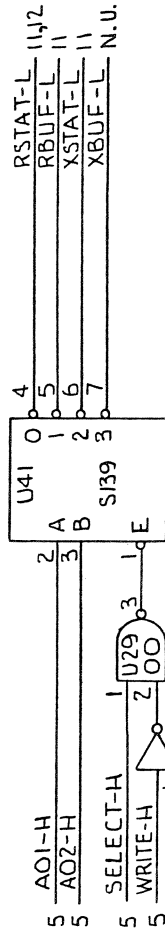
XMITTER LOAD CLOCKS



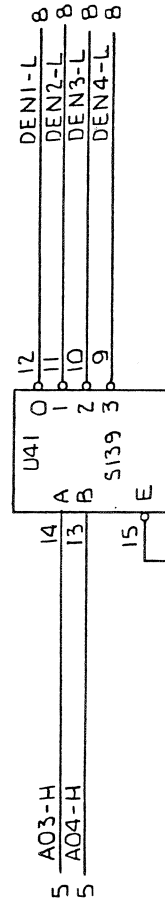
DATA READY RESET



READ FUNCTION DECODE

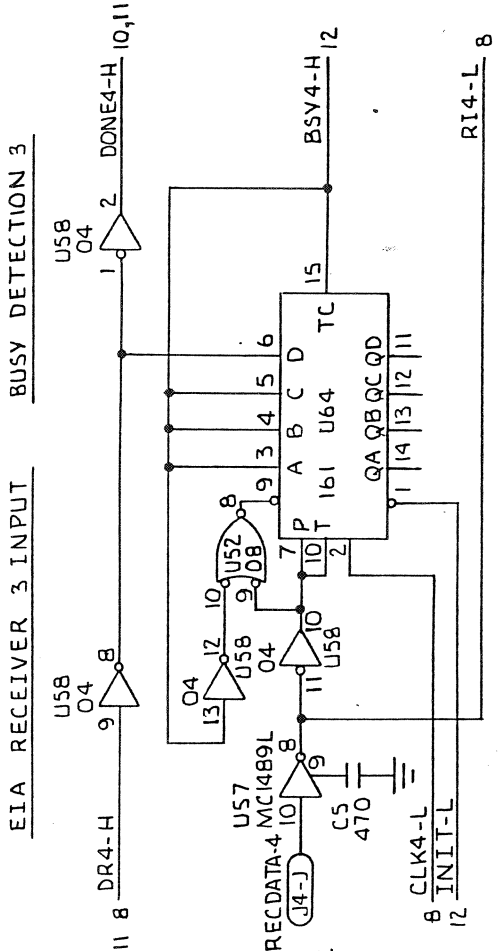
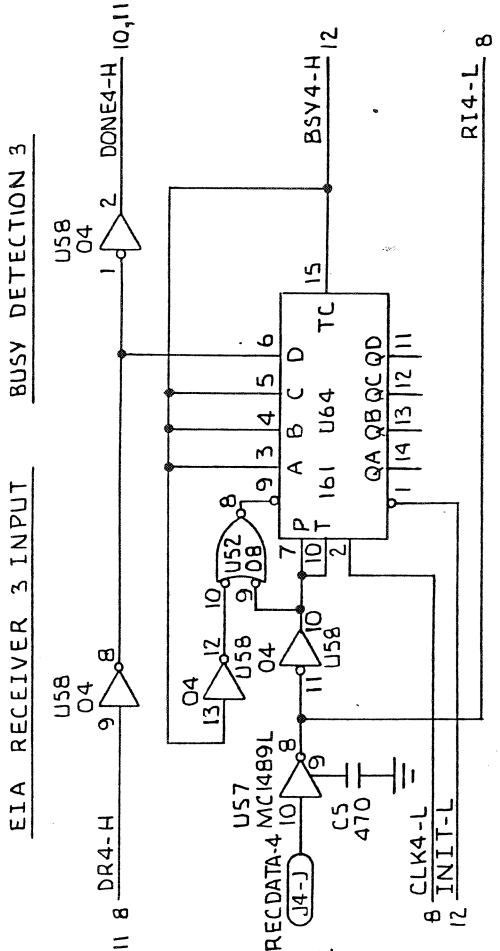
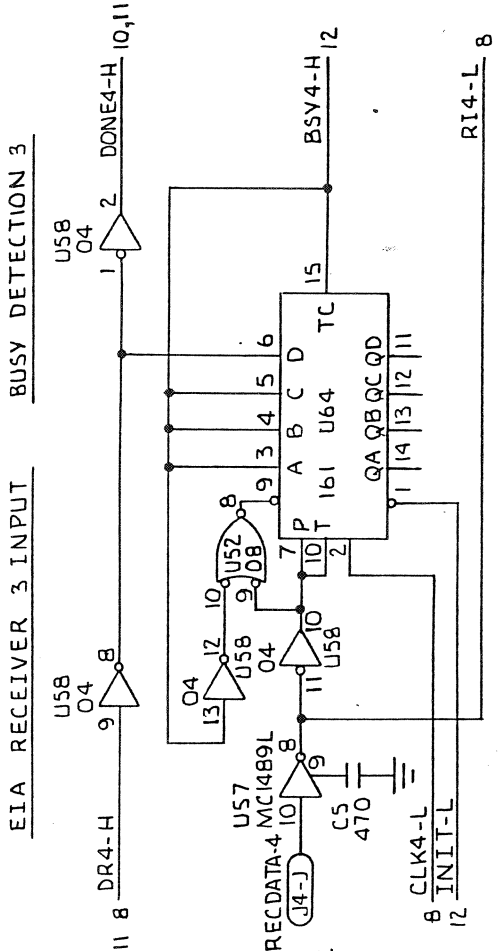
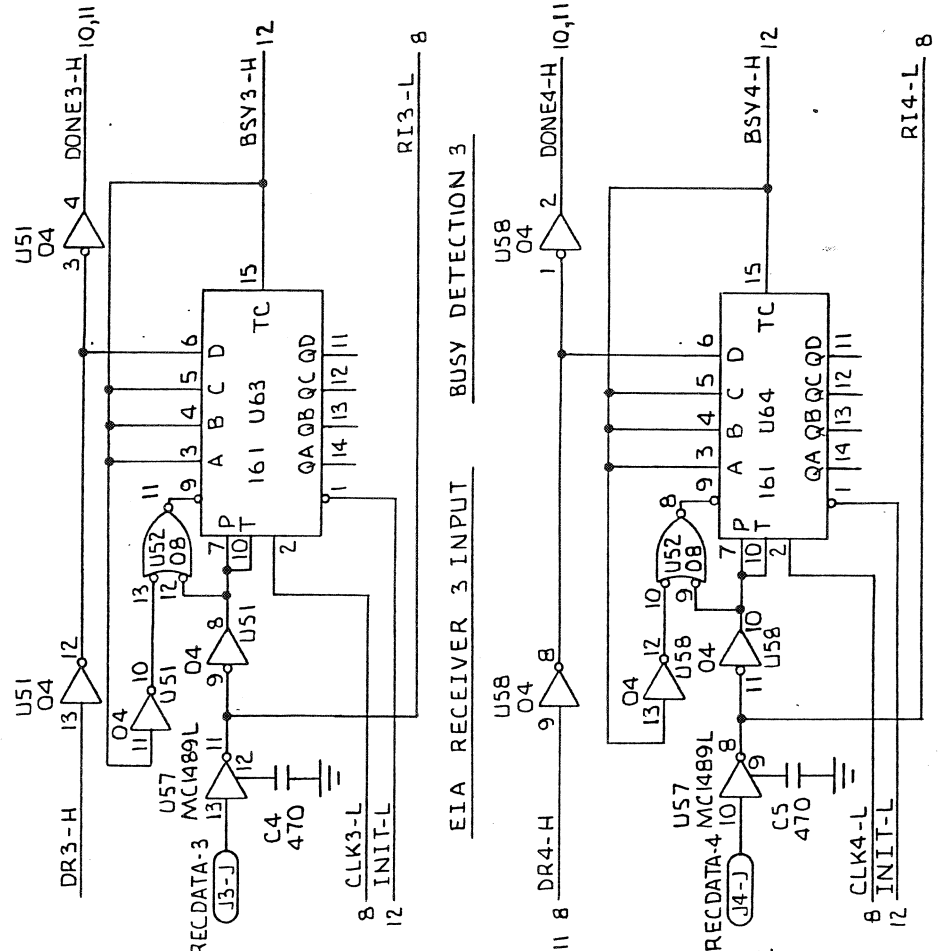


READ FUNCTION DECODE



DATA ENABLE STROBES

THE INFORMATION CONTAINED HEREON IS THE PROPERTY OF
 APPLE COMPUTER TECHNOLOGY, INC. TRANSMITTAL, RECEIPT
 OR POSSESSION OF THE INFORMATION DOES NOT EXPRESS,
 LICENSE, OR IMPLY ANY RIGHTS TO USE, SELL, OR MANUFAC-
 TURE FROM THIS INFORMATION AND NO REPRODUCTION OR
 PUBLICATION OF IT, IN WHOLE OR IN PART, SHALL BE MADE
 WITHOUT WRITTEN AUTHORIZATION FROM AN OFFICER OF
 THE ABOVE FIRM.



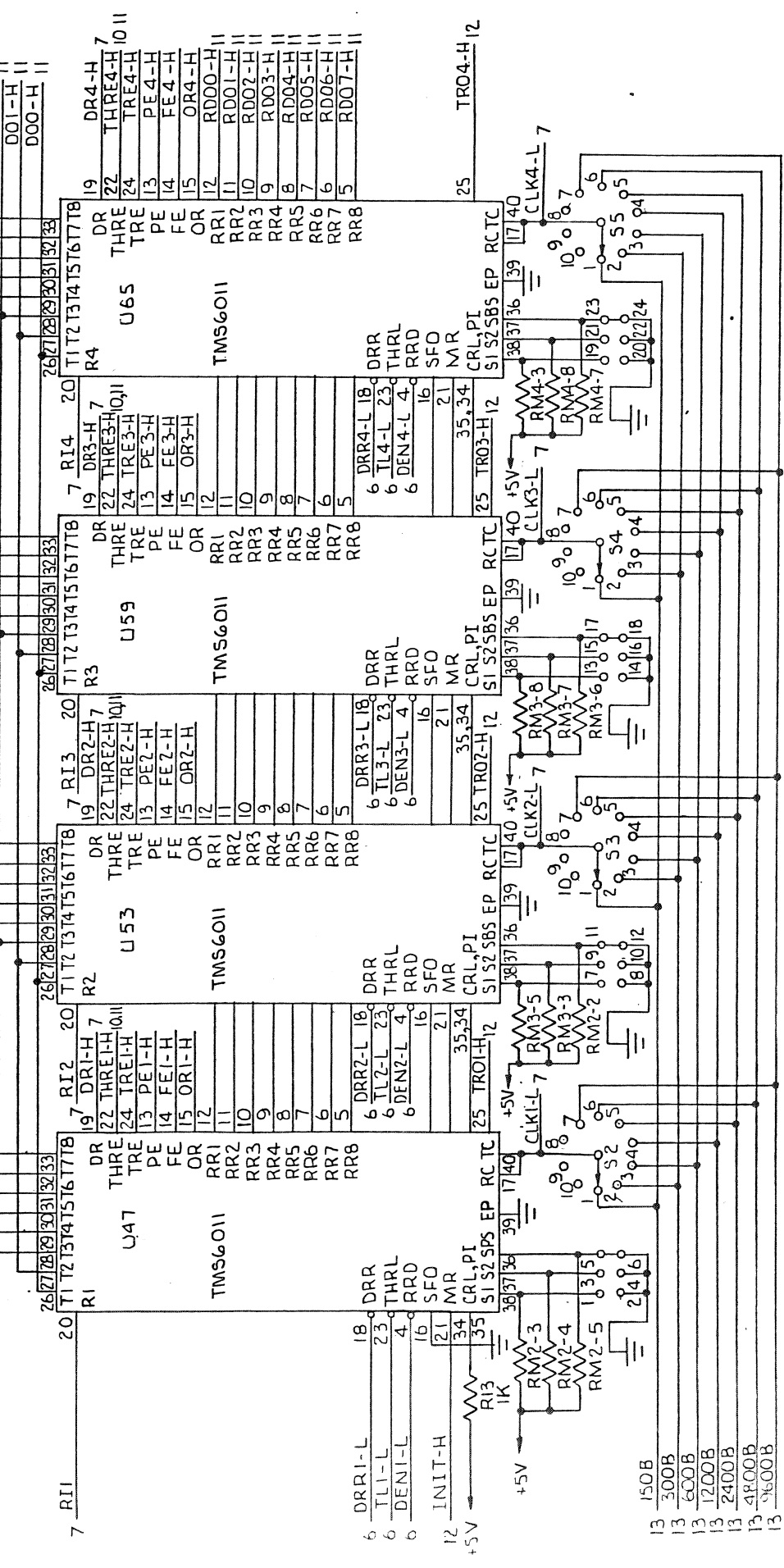
EIA RECEIVER 1 INPUT BUSY DETECTION 1

EIA RECEIVER 2 INPUT BUSY DETECTION 2

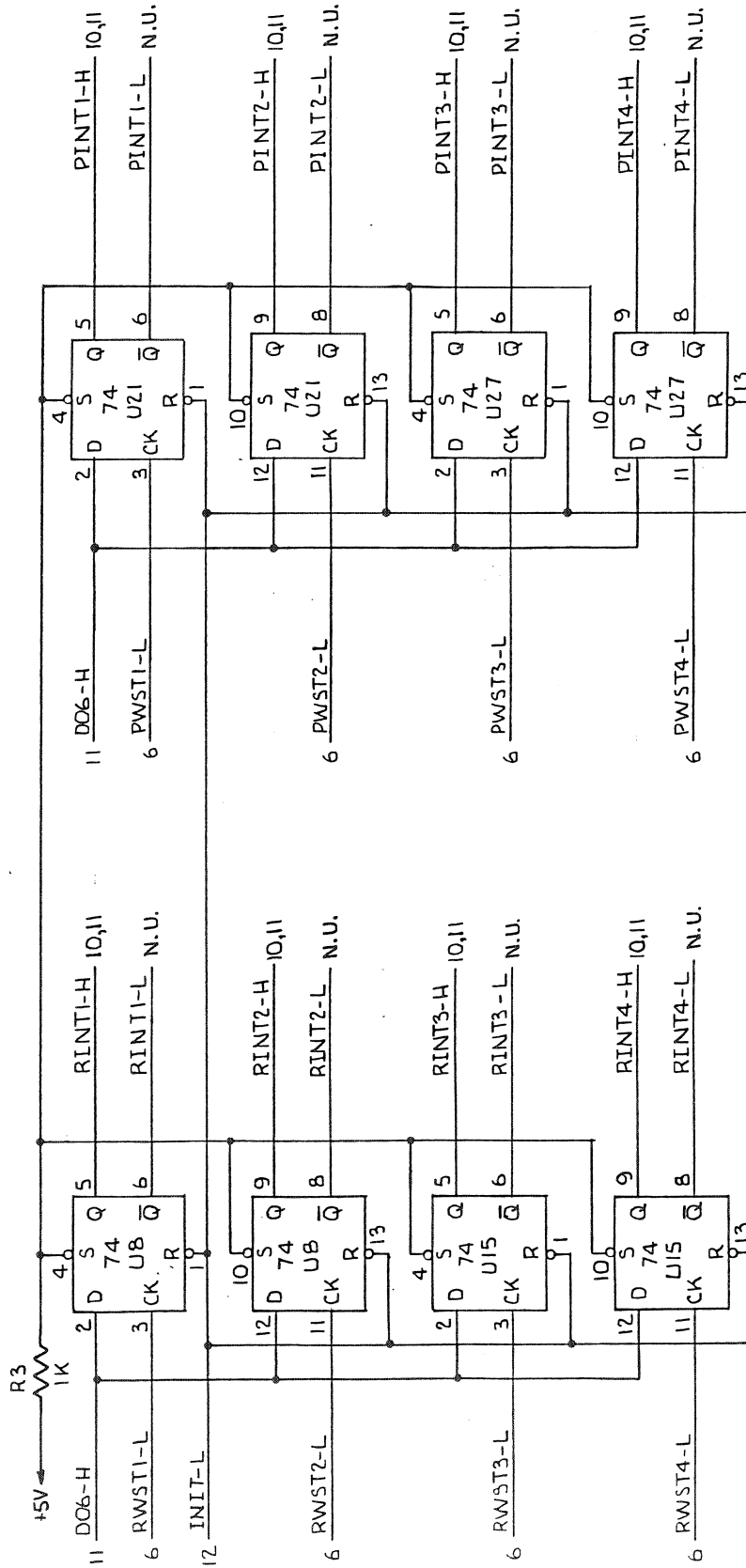
EIA RECEIVER 3 INPUT BUSY DETECTION 3

EIA RECEIVER 4 INPUT BUSY DETECTION 4

THE INFORMATION CONTAINED HEREON IS THE PROPERTY OF
 APPLE COMPUTER TECHNOLOGY, INC. TRANSMITTAL, RECEIPT
 OR POSSESSION OF THE INFORMATION DOES NOT EXPRESS,
 LICENSE, OR IMPLY ANY RIGHTS TO USE, SELL, OR MANUFAC-
 TURE FROM THIS INFORMATION AND NO REPRODUCTION OR
 PUBLICATION OF IT, IN WHOLE OR IN PART, SHALL BE MADE
 WITHOUT WRITTEN AUTHORIZATION FROM AN OFFICER OF
 THE ABOVE FIRM.



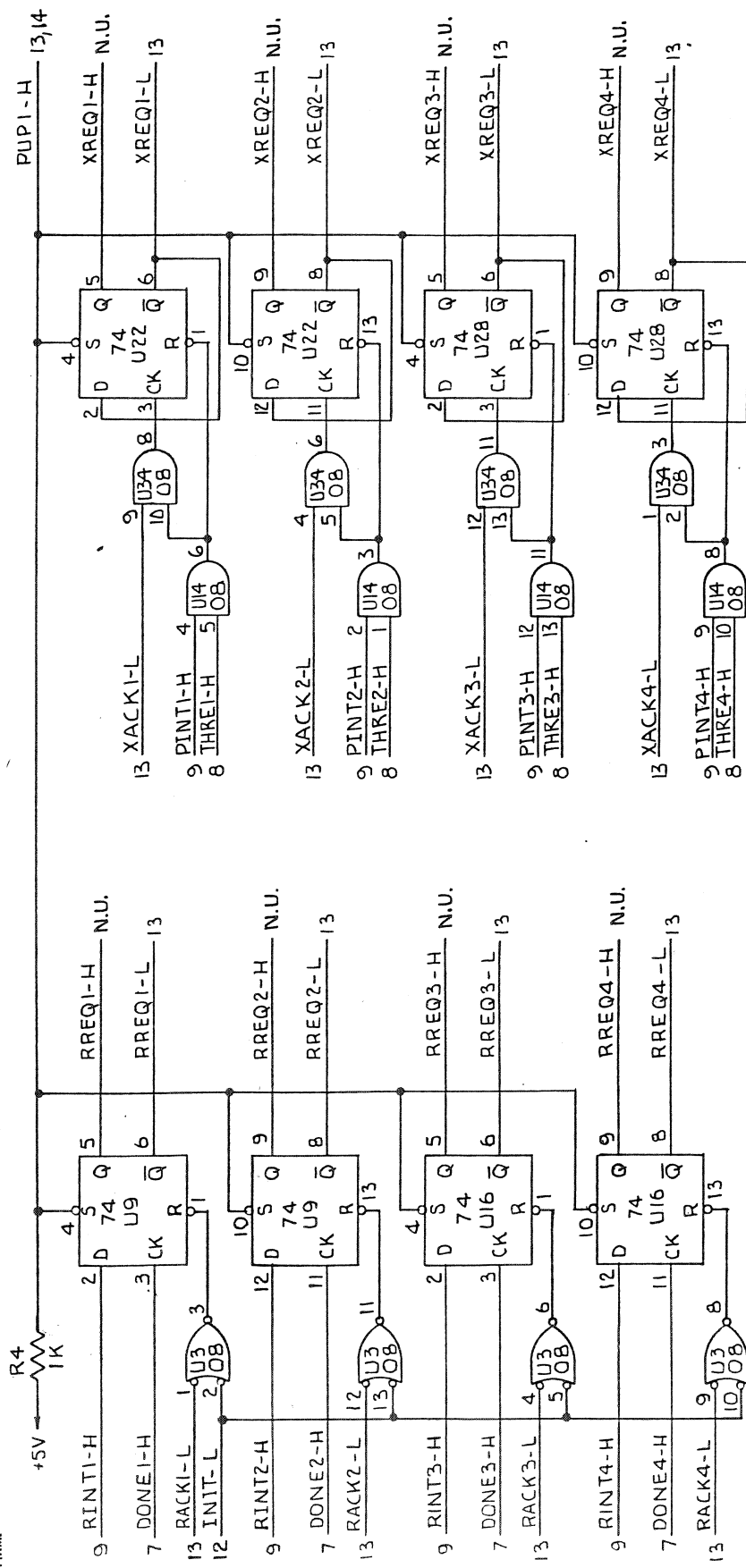
THE INFORMATION CONTAINED HEREON IS THE PROPERTY OF
 ABLER COMPUTER TECHNOLOGY, INC. TRANSMITTAL, RECEIPT
 OR POSSESSION OF THE INFORMATION DOES NOT EXPRESS,
 LICENSE, OR IMPLY ANY RIGHTS TO USE, SELL, OR MANUFAC-
 TURE FROM THIS INFORMATION AND NO REPRODUCTION OR
 PUBLICATION OF IT, IN WHOLE OR IN PART, SHALL BE MADE
 WITHOUT WRITTEN AUTHORIZATION FROM AN OFFICER OF
 THE ABOVE FIRM.



RECEIVER INTERRUPT ENABLE

XMITTER INTERRUPT ENABLE

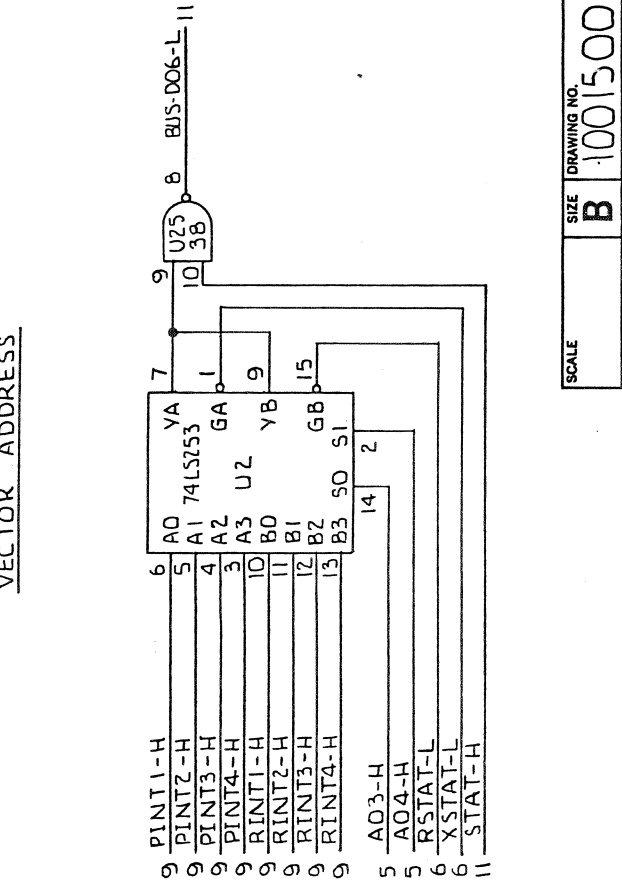
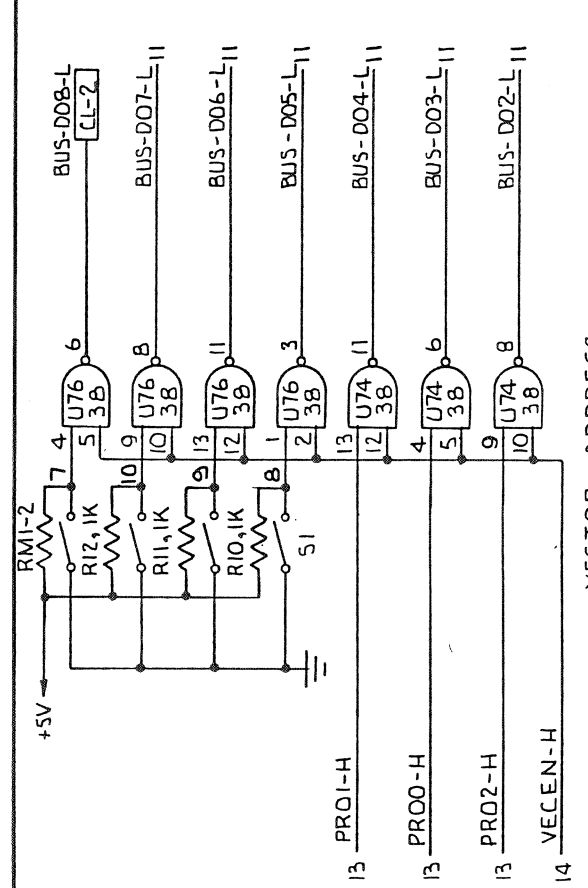
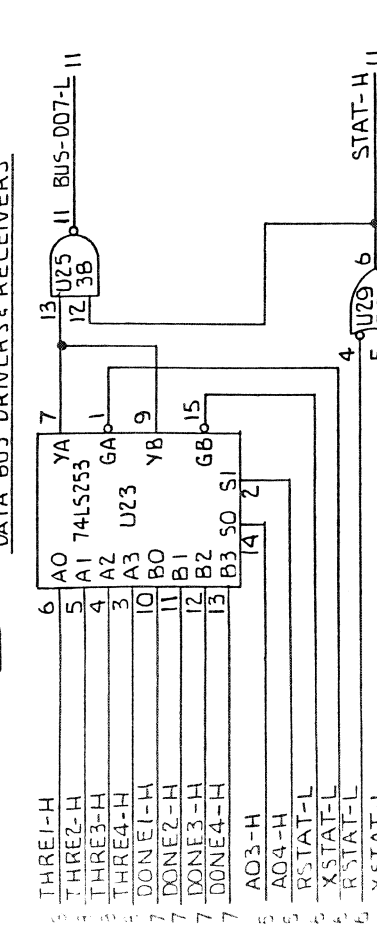
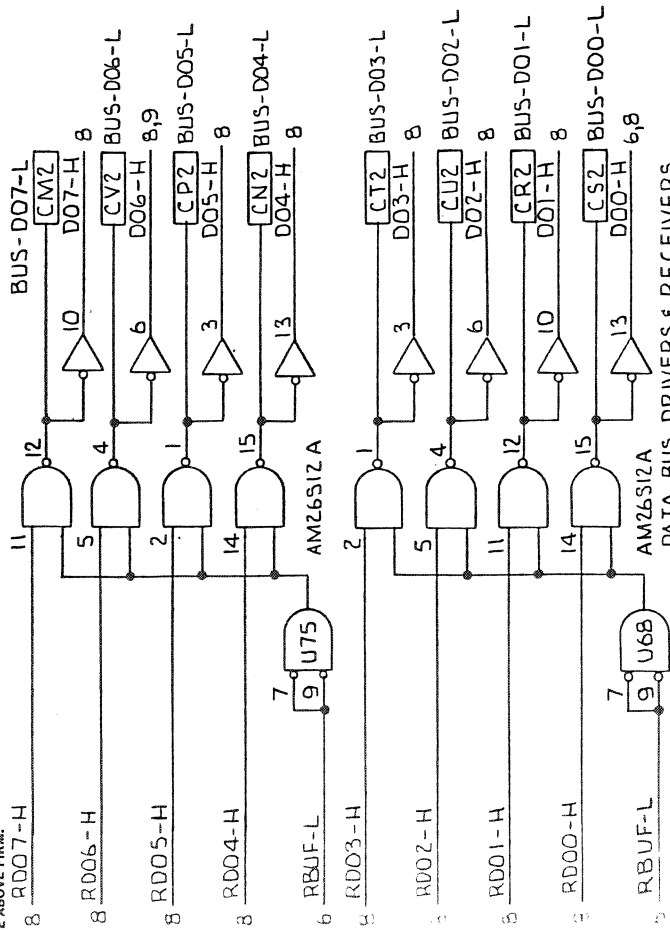
THE INFORMATION CONTAINED HEREON IS THE PROPERTY OF
 ABLER COMPUTER TECHNOLOGY, INC. TRANSMITTAL, RECEIPT,
 OR POSSESSION OF THE INFORMATION DOES NOT EXPRESS,
 LICENSE, OR IMPLY ANY RIGHTS TO USE, SELL, OR MANUFACTURE,
 PUBLICATION OF IT, IN WHOLE OR IN PART, SHALL BE MADE
 WITHOUT WRITTEN AUTHORIZATION FROM AN OFFICER OF
 THE ABOVE FIRM.



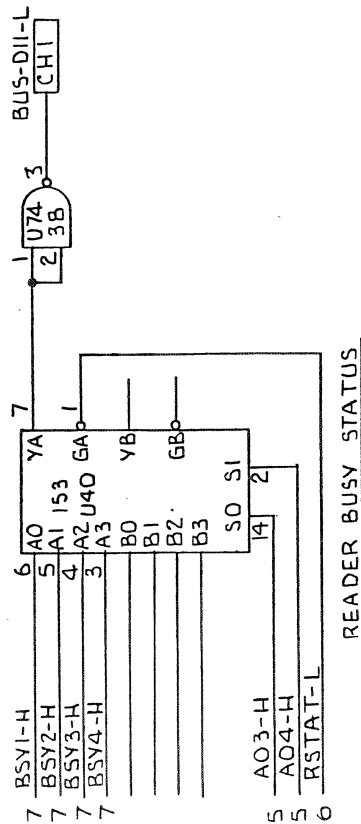
RECEIVER INTERRUPT REQUEST

XMITTER INTERRUPT REQUEST

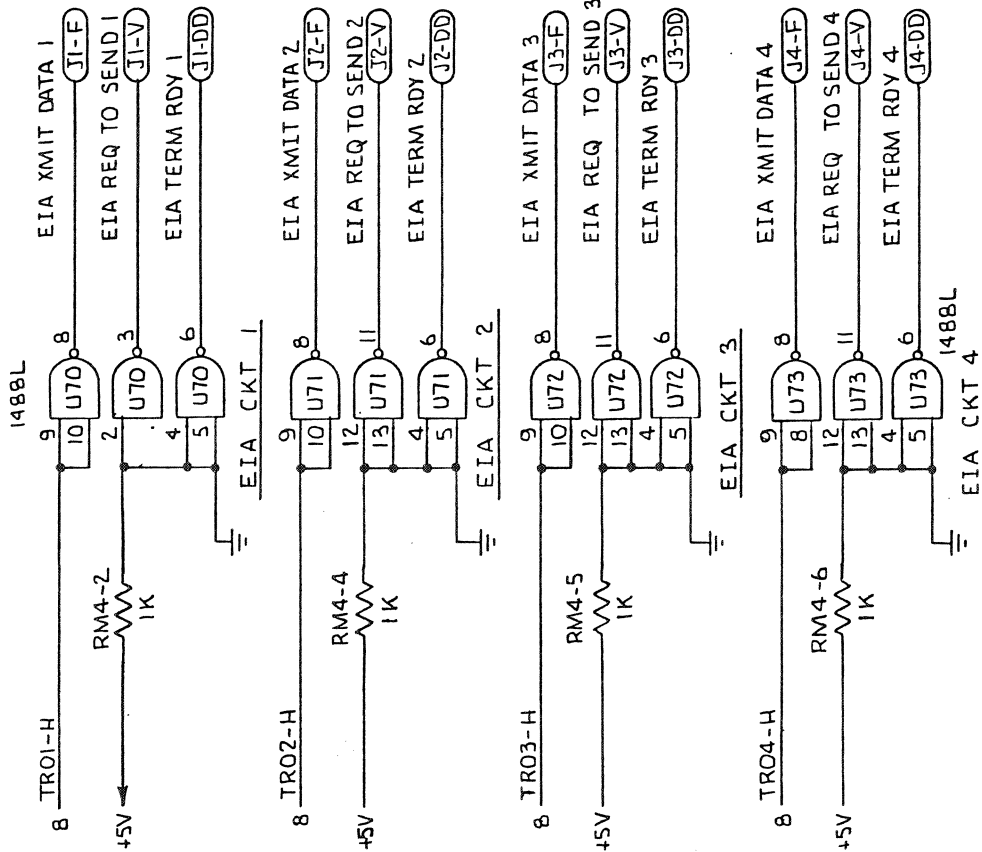
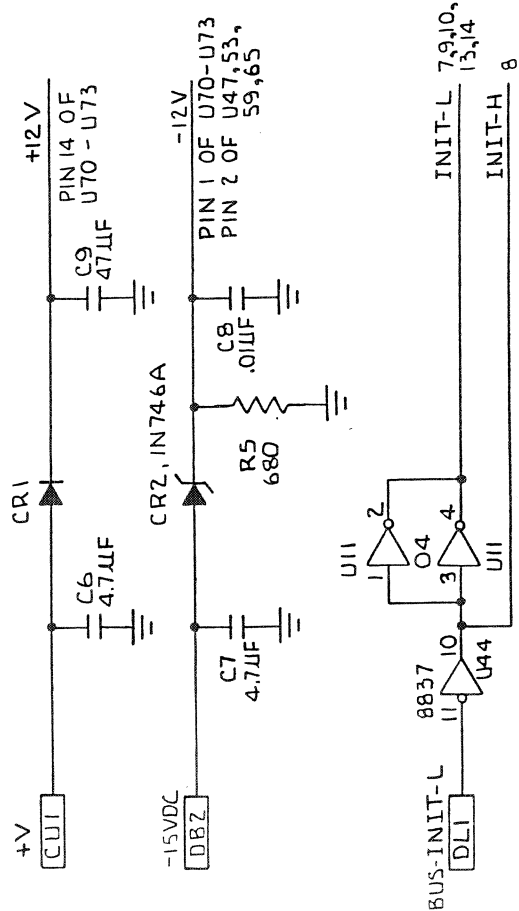
THE INFORMATION CONTAINED HEREON IS THE PROPERTY OF
 ABLER COMPUTER TECHNOLOGY, INC. TRANSMITTAL, RECEIPT
 OR POSSESSION OF THE INFORMATION DOES NOT EXPRESS
 LICENSE, OR IMPLY ANY RIGHTS TO USE, SELL, OR MANUFACTURE
 PUBLICATION OF IT, IN WHOLE OR IN PART, SHALL BE MADE
 WITHOUT WRITTEN AUTHORIZATION FROM AN OFFICER OF
 THE ABOVE FIRM.



THE INFORMATION CONTAINED HEREON IS THE PROPERTY OF
 ABLE COMPUTER TECHNOLOGY, INC. TRANSMITTAL, RECEIPT
 OR POSSESSION OF THE INFORMATION DOES NOT EXPRESS
 LICENSE, OR IMPLY ANY RIGHTS TO USE, SELL, OR MANUFACTURE
 FROM THIS INFORMATION AND NO REPRODUCTION OR
 PUBLICATION OF IT, IN WHOLE OR IN PART, SHALL BE MADE
 WITHOUT WRITTEN AUTHORIZATION FROM AN OFFICER OF
 THE ABOVE FIRM.



READER BUSY STATUS



SCALE

SIZE B

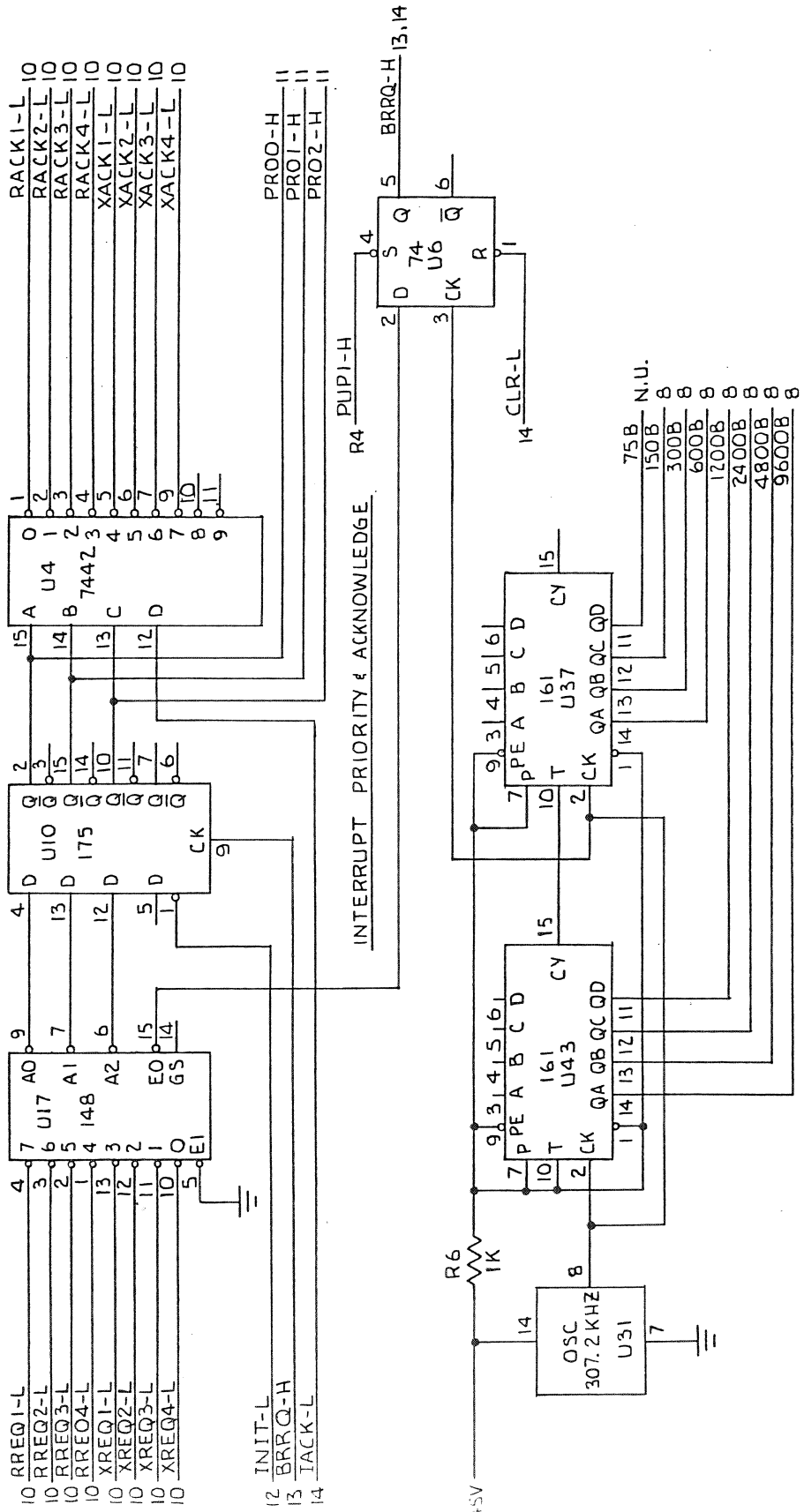
DRAWING NO.

10015003

DO NOT SCALE DRAWING

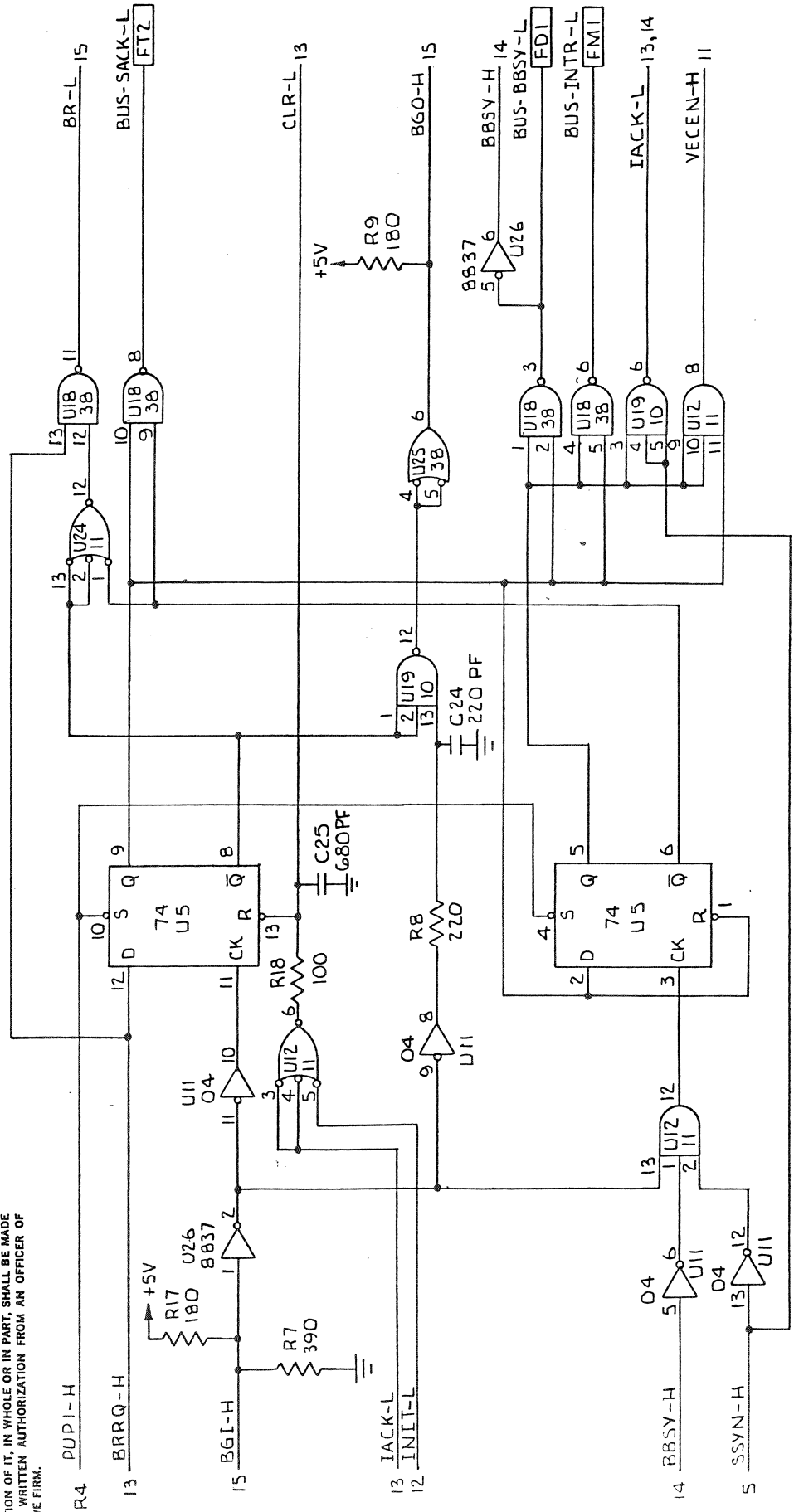
SHEET 12 OF 15

THE INFORMATION CONTAINED HEREON IS THE PROPERTY OF
 ABL COMPUTER TECHNOLOGY, INC. TRANSMITTAL, RECEIPT
 OR POSSESSION OF THE INFORMATION DOES NOT EXPRESS
 LICENSE, OR IMPLY ANY RIGHTS TO USE, SELL, OR MANUFACTURE
 THEREFROM. THIS INFORMATION AND NO REPRODUCTION OR
 PUBLICATION OF IT, IN WHOLE OR IN PART, SHALL BE MADE
 WITHOUT WRITTEN AUTHORIZATION FROM AN OFFICER OF
 THE ABOVE FIRM.



OSCILLATOR & DIVIDER

THE INFORMATION CONTAINED HEREON IS THE PROPERTY OF
 ABBE COMPUTER TECHNOLOGY, INC. TRANSMITTAL RECEIPT
 OR POSSESSION OF THE INFORMATION DOES NOT EXPRESS
 LICENSE OR IMPLY ANY RIGHTS TO USE, SELL, OR MANUFAC-
 TURE FROM THIS INFORMATION AND NO REPRODUCTION OR
 PUBLICATION OF IT, IN WHOLE OR IN PART, SHALL BE MADE
 WITHOUT WRITTEN AUTHORIZATION FROM AN OFFICER OF
 THE ABOVE FIRM.



INTERRUPT CONTROL

SCALE	SIZE	DRAWING NO.	SHEET 14 OF 15
	B	10015003	DO NOT SCALE DRAWING

THE INFORMATION CONTAINED HEREON IS THE PROPERTY OF
 ABLER COMPUTER TECHNOLOGY, INC. TRANSMITTAL, RECEIPT
 OR POSSESSION OF THE INFORMATION DOES NOT EXPRESS
 LICENSE, OR IMPLY ANY RIGHTS TO USE, SELL, OR MANUFAC-
 TURE FROM THIS INFORMATION AND NO REPRODUCTION OR
 PUBLICATION OF IT, IN WHOLE OR IN PART, SHALL BE MADE
 WITHOUT WRITTEN AUTHORIZATION FROM AN OFFICER OF
 THE ABOVE FIRM.

BR / BG LEVEL SELECT

DS2	BG4-IN-H	1	0	BG1-H	14
DT2	BG4-OUT-H	2	0	BG0-H	14
DP2	BG5-IN-H	3	0		NU
DR2	BG5-OUT-H	4	0	BR-L	14
DM2	BG6-IN-H	5	0	BR7-L	DD2
DN2	BG6-OUT-H	6	0	BR6-L	DE2
DK2	BG7-IN-H	7	0	BR5-L	DF2
DL2	BG7-OUT-H	8	0	BR4-L	DH2

PATCH