

"THE MATERIAL HEREIN IS FOR INFORMATION PURPOSES ONLY AND IS SUBJECT TO CHANGE WITHOUT NOTICE. DIGITAL EQUIPMENT CORPORATION ASSUMES NO RESPONSIBILITY FOR ANY ERRORS WHICH MAY APPEAR HEREIN."

DRAWING DIRECTORY

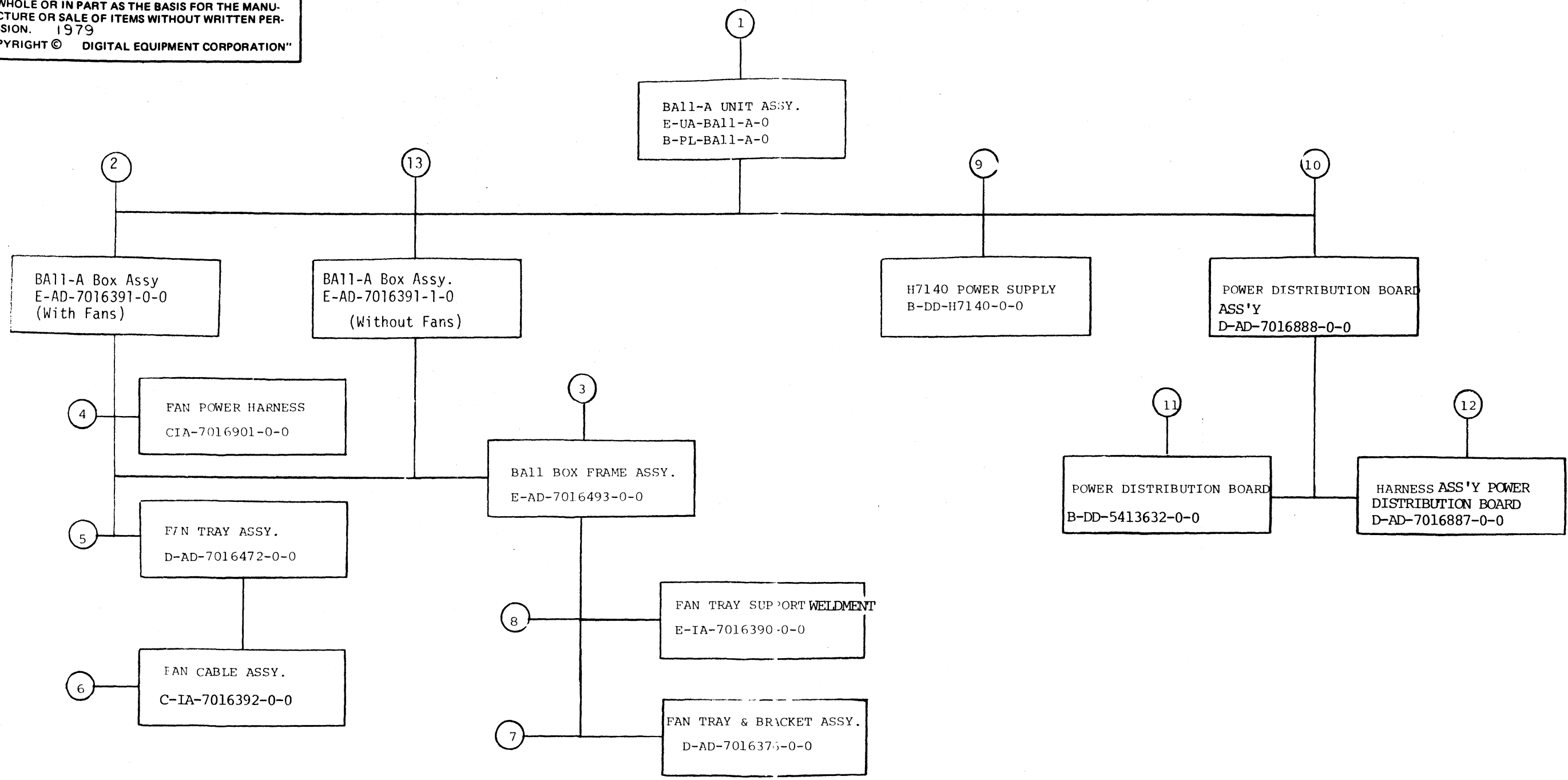
"THIS DRAWING AND SPECIFICATIONS, HEREIN, ARE THE PROPERTY OF DIGITAL EQUIPMENT CORPORATION AND SHALL NOT BE REPRODUCED OR COPIED OR USED IN WHOLE OR IN PART AS THE BASIS FOR THE MANUFACTURE OR SALE OF ITEMS WITHOUT WRITTEN PERMISSION. COPYRIGHT © 1979 DIGITAL EQUIPMENT CORPORATION."

UNIT VARIATIONS	
VAR	TITLE
BALL-AA	BALL BOX H7140, 120V
BALL-AB	BALL BOX H7140, 240V

REVISIONS	REV.	
	CHANGE NO.	
	CHK	
	USED ON OPTION/MODEL	11/44
	DRN.	John Nagle
	DATE	1 May 79
TITLE digital		
	CHK'D.	DATE
	PROJ. ENG.	DATE
	PROD.	DATE
SHEET 1 OF 3	John Conella	29 JUN 79
SIZE	CODE	NUMBER
B	DD	BALL-A-0
DIST.		REV
		*

"THIS DRAWING AND SPECIFICATIONS, HEREIN, ARE THE PROPERTY OF DIGITAL EQUIPMENT CORPORATION AND SHALL NOT BE REPRODUCED OR COPIED OR USED IN WHOLE OR IN PART AS THE BASIS FOR THE MANUFACTURE OR SALE OF ITEMS WITHOUT WRITTEN PERMISSION. 1979 COPYRIGHT © DIGITAL EQUIPMENT CORPORATION"

REV. BALL-A-0
 NUMBER
 DD B
 CODE SIZE



TITLE	BALL-A UNIT ASSY.	SIZE CODE	DD	NUMBER	BALL-A -0	REV	*
SHEET 2 OF 3							

FIND NO.	DRAWING NO.	DESCRIPTION	TYPE	FIND NO.	DRAWING NO.	DESCRIPTION	TYPE
1	E-UA-Ball-A-0	Ball-A UNIT ASSY.	E/M	9	B-DD-H7140-0-0	H7140 POWER SUPPLY DRAWING DIRECTORY	REF
	B-PL-Ball-A-0	BALL-A PARTS LIST	REF				
2	E-AD-7016391-0-0	Ball-A BOX ASSY. (with fans)	E/M	10	D-AD-7016888-0-0	POWER DISTRIBUTION BOARD ASSY.	E/M
	D-PS-1216189-0-0	RETRACTOR SLIDE PAWL	M				
	B-PS-1216190	SPRING SLIDE PAWL	M				
	B-MD-7421611-0-0	SLIDE PAWL	M				
	B-MD-7421444-0-0	PLATE SLIDE NUT	M				
	D-MD-7421613-0-0	SLIDE INDEX PLATE (2)	M				
	B-PS-1216197-0-0	PIVOT SCREW	M				
	D-PS-1215848-0-0	CARD GUIDE	M				
	B-MD-7421612-0-0	BAR GUIDE MNTING	M				
3	E-MD-7016493-0-0	Ball BOX FRAME ASSY.	M	11	B-DD-5413632-0-0	POWER DISTRIBUTION BOARD	E
	E-MD-7421631-0-0	SIDE PANEL LEFT	M				
	E-MD-7421441-0-0	CARD CAGE FRONT	M				
	D-MD-7421616-0-0	SPRING BOX LOCK	M				
	E-MD-7421610-0-0	SIDE PANEL RIGHT	M				
4	C-IA-7016901-0-0	FAN POWER HARNESS	E	12	D-AD-7016887	CABLE HARNESS ASS'Y POWER DISTRIBUTION BOARD	E
5	D-AD-7016472-0-0	FAN TRAY ASSY.	E/M	13	E-AD-7016391-1-0	Ball-A Box Assy, Without fans (Reference only)	REF
6	D-IA-7016392-0-0	FAN CABLE ASSY.	E				
7	D-AD-7016376-0-0	FAN TRAY & BRACKET ASSY.	M				
	D-MD-7421632-0-0	FAN TRAY	M				
	B-MD-7421387-0-0	BRACKET FAN TRAY CONN	M				
8	E-AD-7016390-0-0	FAN TRAY SUPPORT WELDMENT	M				
	E-MD-7421634-0-0	FAN TRAY SUPPORT FRONT	M				
	E-MD-7421633-0-0	FAN TRAY SUPPORT REAR	M				

TYPE: E ELECTRICAL
M MECHANICAL
E/M ELECTRO/MECHANICAL



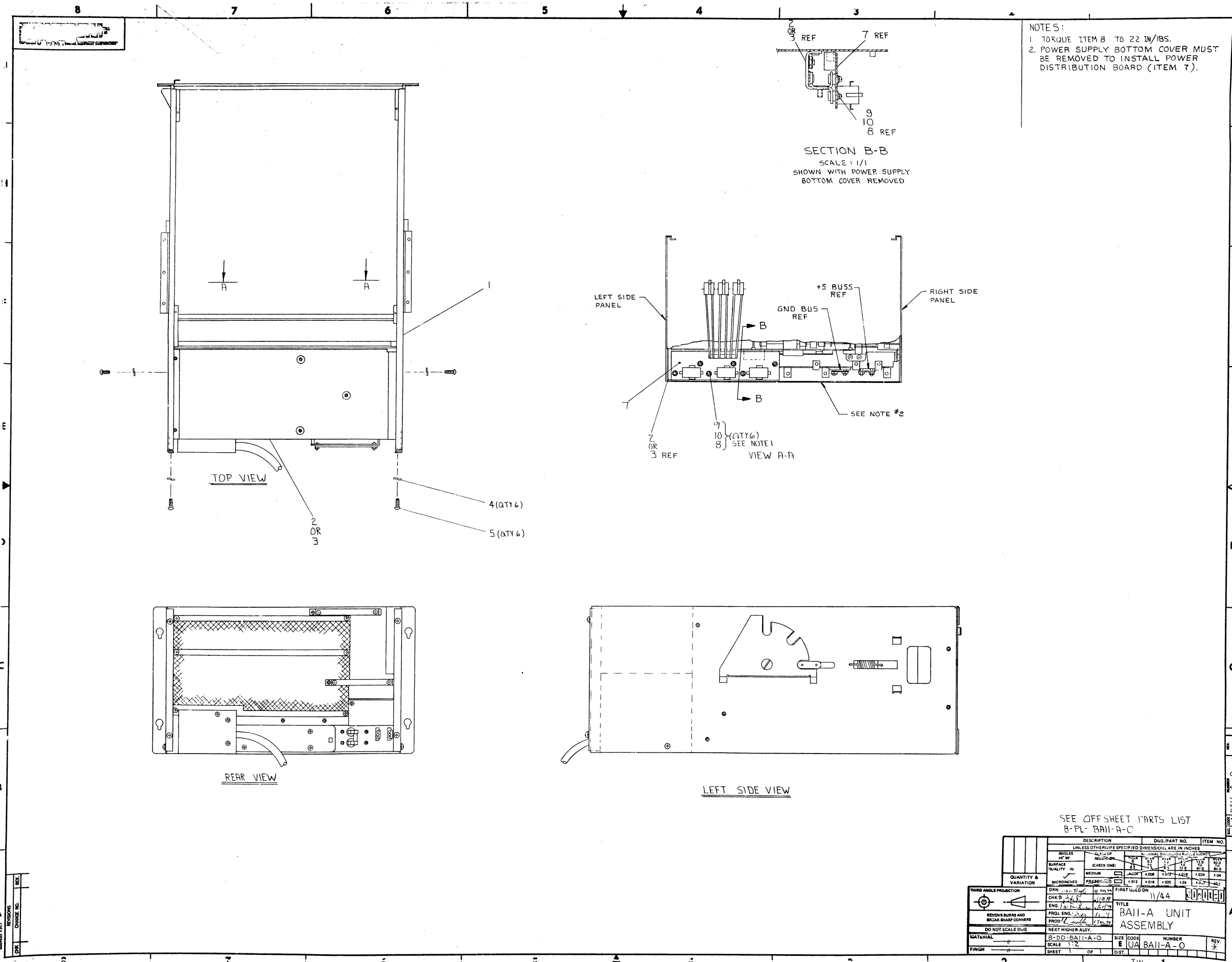
TITLE
Ball-A UNIT ASSY.

SHEET 3 OF 3

SIZE CODE
B DD

NUMBER
Ball-A-0

REV
*



**DIGITAL EQUIPMENT CORPORATION
PARTS LIST**

MADE BY DATE	JOHN NAGLE 8 APRIL 1979	CHECKED DATE	<i>JLN</i> 6/29/79	SECTION
ENG DATE	<i>Ken Boudreau</i> 6/29/79	PROD DATE	<i>John Conella</i> 6 JUL 79	ISSUED SECTION

QUANTITY / VARIATION

NOTES:

ITEM NO.	DRAWING NO.	PART NO.	DESCRIPTION
1	E-AD-7016391-0-0		BA11 BOX ASSY
2	E-UA-H7140-0-0		H7140-AA PWR SUPPLY 120V
3	E-UA-H7140-0-0		H7140-AB PWR SUPPLY 240V
4	9006690-00		LOCKWASHER #8 SPLIT RING
5	9006418-01		SCREW 8-32 X .38 TAPTITE
6	A-SP-3700472-0-0		PACKAGING INSTRUCTIONS
7	D-AD-7016888-0-0		POWER DISTRIBUTION BOARD
8	9006039-01		SCREW #8-32 X .50 PLIPS PAN HD
9	9006661-00		#8 FLAT WASHER
10	9006690-00		#8 HELICAL SPLIT LOCKWASHER

BATT-AA	BATT-AB									
1	1									
1	-									
-	1									
6	6									
6	6									
REF	REF									
1	1									
6	6									
6	6									
6	6									

REF DESIGNATION	

E.C.O. NO.

"THIS DRAWING AND SPECIFICATIONS, HEREIN, ARE THE PROPERTY OF DIGITAL EQUIPMENT CORPORATION AND SHALL NOT BE REPRODUCED OR COPIED OR USED IN WHOLE OR IN PART AS THE BASIS FOR THE MANUFACTURE OR SALE OF ITEMS WITHOUT WRITTEN PERMISSION. COPYRIGHT ©1979 DIGITAL EQUIPMENT CORPORATION"

TITLE
BA11-A UNIT
ASSEMBLY

ASSY NO.
E-UA-BA11-A-0

SHEET 1 OF 1

SIZE B	CODE PL	NUMBER BA11-A-0	REV. *
------------------	-------------------	--------------------	-----------

INSERTION PARTS LIST DATA BASE REV

DIGITAL EQUIPMENT CORPORATION PARTS LIST				QUANTITY / VARIATION										NOTES:								
				MADE BY J. NAGLE DATE 8 JUNE 1979		CHECKED <i>PH</i> DATE 6/29/79		SECTION	7016391-0-0	7016391-1-0												
ENG Rom Bond DATE 6/29/79		PROD John Conella DATE 6 JUL-79		ISSUED SECTION	REF DESIGNATION																	
ITEM NO.	DRAWING NO.	PART NO.	DESCRIPTION																			
1	E-MD-7016493-0-0		BA11 BOX FRAME ASSY	1	1																	
2		9010107-00	CARD GUIDE (FAN TRAY)	2	2																	
3		9007783-00	SNAP BUSHING	1	1																	
4		1216189	RETRACTOR, SLIDE PAWL	2	2																	
5		1216190	SPRING, SLIDE PAWL	2	2																	
6	B-MD-7421611-0-0		SLIDE PAWL	2	2																	
7	B-MD-7421444-0-0		PLATE, SLIDE NUT	2	2																	
8		1216785	SEMS SCREW, PHIL TRUSS HD #10-32X.437 INT TOOTH	4	4																	
9		9007035-00	GROMMET, CATAPILLER TYPE 5.70 INCHES	1	1																	
10	D-MD-7421613-0-C		PLATE, SLIDE INDEX, RIGHT HAND	1	1																	
11	D-MD-7421613-0-1		PLATE, SLIDE INDEX, LEFT HAND	1	1																	
12		1216197	PIVOT SCREW	2	2																	
13	B-MD-7421612-0-0		BAR, GUIDE MOUNTING	2	2																	
14		1215848-0	CARD GUIDE (NATURAL)	15	15																	
15		1215848-1	CARD GUIDE (BLACK)	14	14																	
16		9010118-00	SCREW, NYLOCK 100° C STNK PHL P HD .31X#10-32	4	4																	
17		9009087	FOAM TAPE, .125 X 2.10 X 12"	1	1																	
18		1212405-0	CARD GUIDE (SNAP IN) WHITE	15	15																	
19		1212405-10	CARD GUIDE (SNAP IN) BLACK	14	14																	
20	C-IA-7016901-0-0		FAN POWER HARNESS	1	-																	
21	D-AD-7016472-0-0		FAN TRAY ASSY	1	-																	
22		9010120-00	SCREW 6-32 X .187 NYLOCK	2	-																	
23		9009771-03	CABLE CLAMP	2	2																	

E.C.O. NO.

THIS DRAWING AND SPECIFICATIONS, HEREIN, ARE THE PROPERTY OF DIGITAL EQUIPMENT CORPORATION AND SHALL NOT BE REPRODUCED OR COPIED OR USED IN WHOLE OR IN PART AS THE BASIS FOR THE MANUFACTURE OR SALE OF ITEMS WITHOUT WRITTEN PERMISSION. COPYRIGHT © 1979 DIGITAL EQUIPMENT CORPORATION

TITLE
BA11 BOX ASSEMBLY

ASSY NO.
E-AD-7016391-0-0

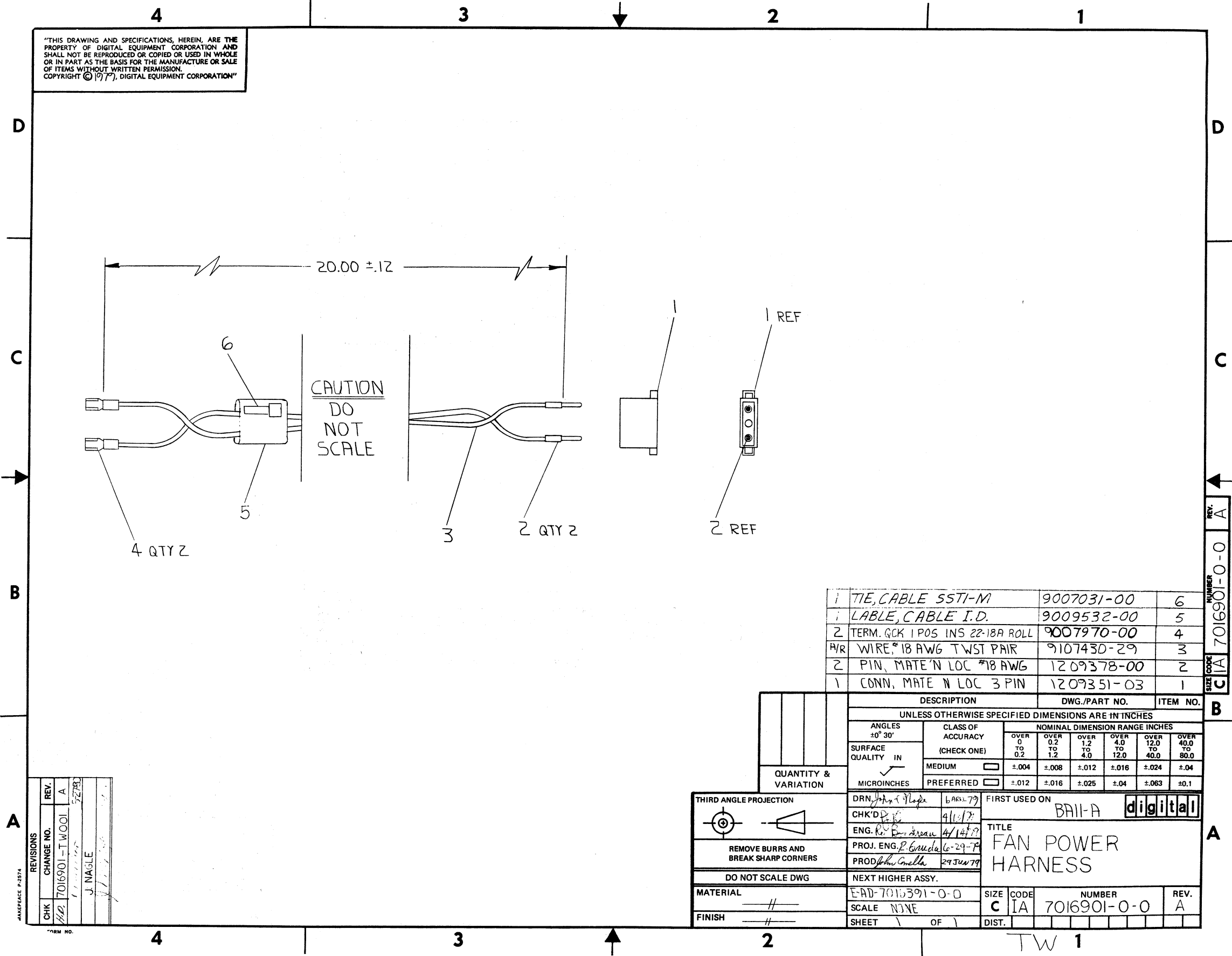
SIZE	CODE	NUMBER
B	PL	7016391-0-0

REV.
*

SHEET 1 OF 1

INSERTION PARTS LIST DATA BASE REV

"THIS DRAWING AND SPECIFICATIONS, HEREIN, ARE THE PROPERTY OF DIGITAL EQUIPMENT CORPORATION AND SHALL NOT BE REPRODUCED OR COPIED OR USED IN WHOLE OR IN PART AS THE BASIS FOR THE MANUFACTURE OR SALE OF ITEMS WITHOUT WRITTEN PERMISSION. COPYRIGHT © 1977, DIGITAL EQUIPMENT CORPORATION"



QTY	DESCRIPTION	DWG./PART NO.	ITEM NO.
1	TIE, CABLE SSTI-M	9007031-00	6
1	LABLE, CABLE I.D.	9009532-00	5
2	TERM. GCK 1 POS INS 22-18A ROLL	9007970-00	4
W/R	WIRE, #18 AWG TWST PAIR	9107430-29	3
2	PIN, MATE'N LOC #18 AWG	1209378-00	2
1	CONN, MATE N LOC 3 PIN	1209351-03	1

UNLESS OTHERWISE SPECIFIED DIMENSIONS ARE IN INCHES		NOMINAL DIMENSION RANGE INCHES												
SURFACE QUALITY	CLASS OF ACCURACY (CHECK ONE)	0 TO 0.2		0.2 TO 1.2		1.2 TO 4.0		4.0 TO 12.0		12.0 TO 40.0		40.0 TO 80.0		
		IN MICROINCHES	MEDIUM <input type="checkbox"/>	±.004	±.008	±.012	±.016	±.024	±.04	PREFERRED <input type="checkbox"/>	±.012	±.016	±.025	±.04

THIRD ANGLE PROJECTION	DRN: <i>John P. Hoops</i> 6 APR 79	FIRST USED ON	B1A1-A	digital
REMOVE BURRS AND BREAK SHARP CORNERS	CHK'D: <i>P. E.</i> 4/11/79	TITLE	FAN POWER HARNESS	
DO NOT SCALE DWG	ENG. REV: <i>Don Arsenault</i> 4/14/79	PROJ. ENG. <i>P. Gaudin</i> 6-29-79	PROD: <i>John G. Della</i> 29 JUN 79	
MATERIAL	—#—	NEXT HIGHER ASSY.	E-AD-7016391-0-0	SIZE CODE
FINISH	—#—	SCALE	NONE	C IA
		SHEET	1 OF 1	NUMBER
		DIST.		7016901-0-0
				REV. A

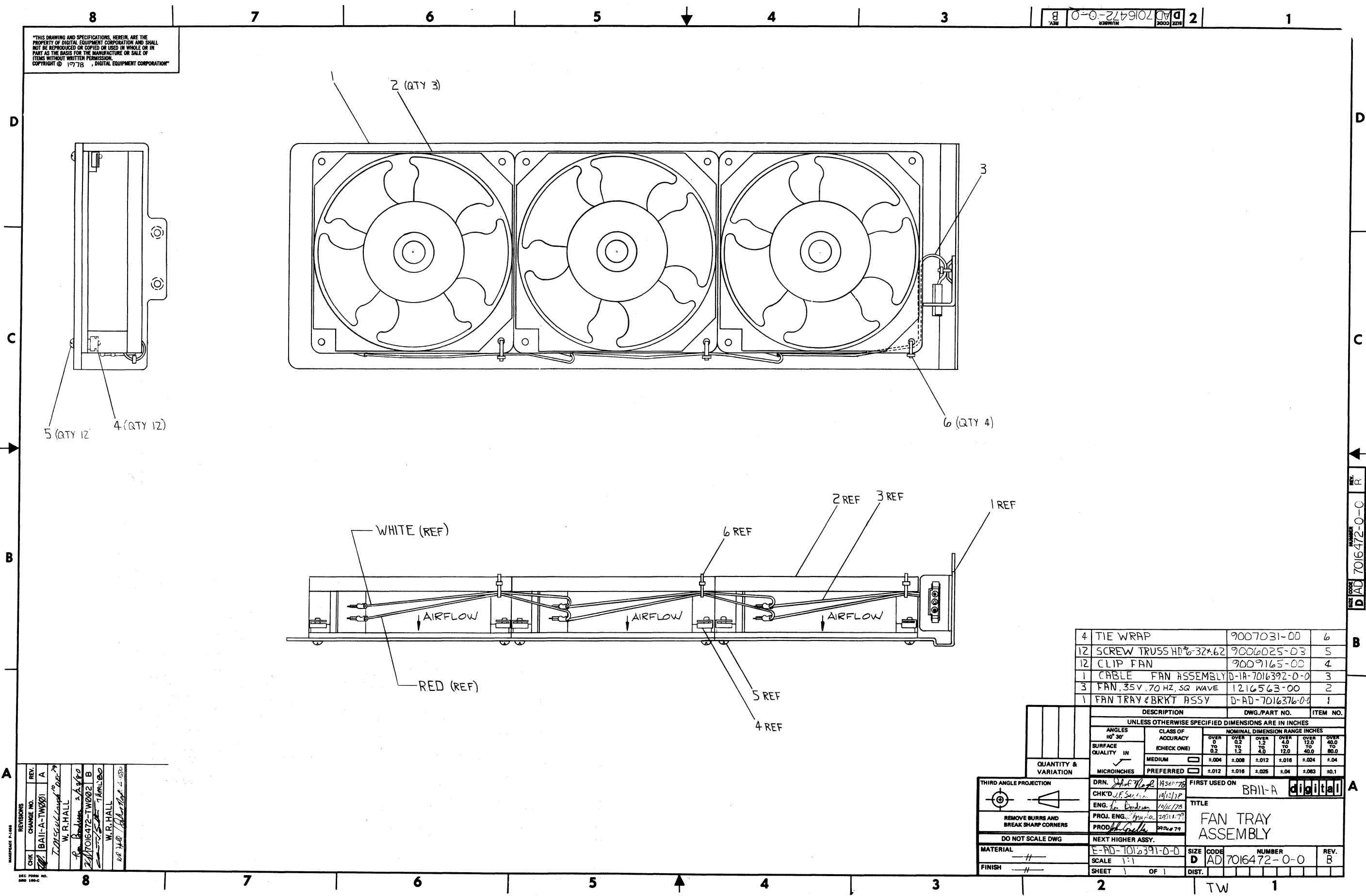
REV.	CHANGE NO.	BY	DATE
A	1	J. NAGLE	5/2/79

REV. A
NUMBER 7016901-0-0
SIZE CODE C IA

TW 1

"THIS DRAWING AND SPECIFICATIONS, HEREIN, ARE THE PROPERTY OF DIGITAL EQUIPMENT CORPORATION AND SHALL NOT BE REPRODUCED OR COPIED OR USED IN WHOLE OR IN PART AS THE BASIS FOR THE MANUFACTURE OR SALE OF ITEMS WITHOUT WRITTEN PERMISSION. COPYRIGHT © 1978, DIGITAL EQUIPMENT CORPORATION"

REV. B AD 7016472-0-0
 SIZE CODE D
 2



QUANTITY	DESCRIPTION	DWG./PART NO.	ITEM NO.
4	TIE WRAP	9007031-00	6
12	SCREW TRUSS HD 6-32x.62	9006025-D3	5
12	CLIP FAN	9009165-00	4
1	CABLE FAN ASSEMBLY	D-1A-7016392-D-0	3
3	FAN, 35V, 70 HZ, SQ WAVE	1216563-00	2
1	FAN TRAY & BRKT ASSY	D-AD-7016376-D-0	1

UNLESS OTHERWISE SPECIFIED DIMENSIONS ARE IN INCHES	
ANGLES 90° 30'	CLASS OF ACCURACY
SURFACE QUALITY	NOMINAL DIMENSION RANGE INCHES
IN	(CHECK ONE)
MICROINCHES	PREFERRED

THIRD ANGLE PROJECTION

REMOVE BURRS AND BREAK SHARP CORNERS

DO NOT SCALE DWG

MATERIAL

FINISH

DRN. *[Signature]* 19/5/78

CHK'D. *[Signature]* 19/12/78

ENG. *[Signature]* 19/11/78

PROJ. ENG. *[Signature]* 20/11/78

PRODR. *[Signature]* 20/11/78

FIRST USED ON BAI-A digital

TITLE FAN TRAY ASSEMBLY

E-AD-1016391-D-0

SCALE 1:1

SHEET 1 OF 1

SIZE CODE D

NUMBER AD 7016472-0-0

REV. B

REV.	CHANGE NO.	BY	DATE
A		W.R. HALL	1/11/78
B		W.R. HALL	1/11/78

"THE MATERIAL HEREIN IS FOR INFORMATION PURPOSES ONLY AND IS SUBJECT TO CHANGE WITHOUT NOTICE. DIGITAL EQUIPMENT CORPORATION ASSUMES NO RESPONSIBILITY FOR ANY ERRORS WHICH MAY APPEAR HEREIN."

FIELD MAINTENANCE PRINT SET

"THIS DRAWING AND SPECIFICATIONS, HEREIN, ARE THE PROPERTY OF DIGITAL EQUIPMENT CORPORATION AND SHALL NOT BE REPRODUCED OR COPIED OR USED IN WHOLE OR IN PART AS THE BASIS FOR THE MANUFACTURE OR SALE OF ITEMS WITHOUT WRITTEN PERMISSION. COPYRIGHT © 1979 DIGITAL EQUIPMENT CORPORATION."

TABLE OF CONTENTS

H7140-0-1	UNIT ASSY
E-UA-H7140-0-0	UNIT ASSY
B-PL-H7140-0-0	UNIT ASSY
E-AD-7016476-0-0	INPUT ASSY
B-PL-7016476-0-0	INPUT ASSY
E-AD-7016054-0-0	OUTPUT PANEL ASSY
B-PL-7016054-0-0	OUTPUT
E-AD-7016048-0-0	RELAY ASSY
B-PL-7016048-0-0	RELAY ASSY
D-AD-7016478-0-0	POWER CORD ASSY
D-AD-7016907-0-0	LINE CORD ASSY
D-UA-5413663-0-0	SNUBBER BOARD
D-CS-5413663-0-0	SNUBBER BOARD
E-PL-5413663-0-0	SNUBBER BOARD
E-UA-5413615-0-0	MOTHER BOARD H7140
D-CS-5413615-0-0	MOTHER BOARD H7140
B-PL-5413615-0-0	MOTHER BOARD
D-UA-5413605-0-0	BIAS & INTERFACE BOARD
D-CS-5413605-0-0	BIAS & INTERFACE BOARD
B-PL-5413605-0-0	BIAS & INTERFACE BOARD
D-UA-5413601-0-0	LOGIC INVERTER CONTROL BOARD
D-CS-5413601-0-0	LOGIC INVERTER CONTROL BOARD
B-PL-5413601-0-0	LOGIC INVERTER CONTROL BOARD

D-UA-5413599-0-0	LOGIC INVERTER BOARD
D-CS-5413599-0-0	LOGIC INVERTER BOARD
B-PL-5413599-0-0	LOGIC INVERTER BOARD
D-UA-5413607-0-0	MEM REG. BOARD
D-CS-5413607-0-0	MEM REG. BOARD
B-PL-5413607-0-0	MEM REG. BOARD
D-UA-5413603-0-0	MEM INV. BOARD
D-CS-5413603-0-0	MEM INV. BOARD
B-PL-5413603-0-0	MEM INV. BOARD
D-AD-7016050-0-0	MEM VOLTAGE ASSY
D-AD-7016057-0-0	+5V INVERTER ASSY

UNIT VARIATIONS COVERED BY THIS PRINT SET

H7140-AA
H7140-AB

Field Maintenance Print Set

H7140 UNIT ASSY
MP00837

Digital Equipment Corporation

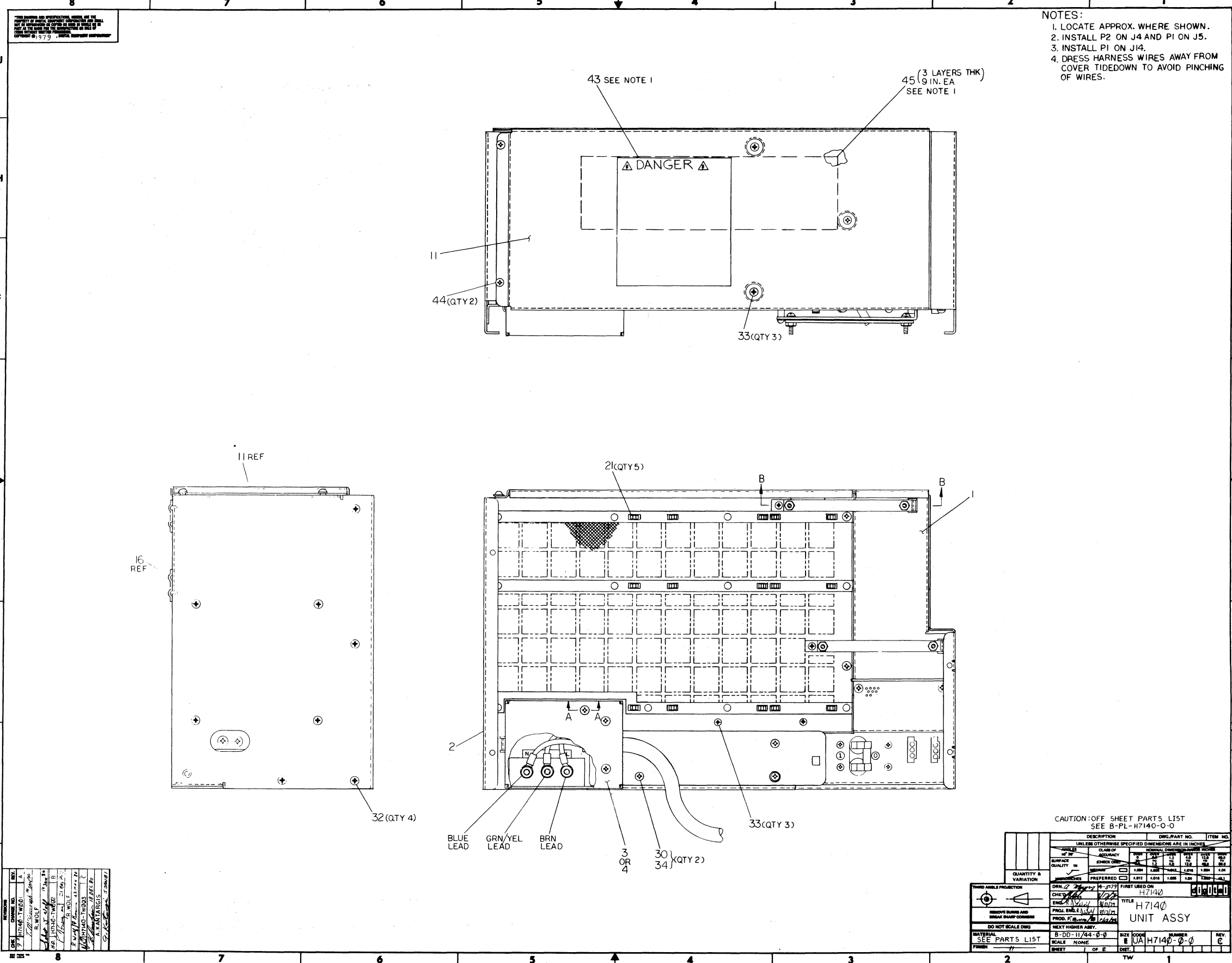
REV. *

NUMBER H7140-0-1

CODE TC

SIZE B

REVISIONS	REV		USED ON OPTION/MODEL	DRN.	DATE	TITLE: UNIT ASSEMBLY			digital			
	CHG. NO.			H7140	M. CARROLL				10/24/79			
	DATE				CHK'D				DATE			
					<i>[Signature]</i>				12-7-79			
					PROJ. ENG.	DATE						
			<i>[Signature]</i>	12/3/79	SIZE	CODE	NUMBER	REV.				
			SHEET 1 OF 1	FIELD SERV.	DATE	B	TC	H7140-0-1	*			
				<i>W. Maury</i>	11/16/79							
				<i>R.K.</i>								



NOTES:
 1. LOCATE APPROX. WHERE SHOWN.
 2. INSTALL P2 ON J4 AND P1 ON J5.
 3. INSTALL P1 ON J14.
 4. DRESS HARNESS WIRES AWAY FROM COVER TIEDOWN TO AVOID PINCHING OF WIRES.

THIS DRAWING AND SPECIFICATIONS, WHETHER MADE BY OR FOR THE GOVERNMENT, ARE HEREBY RELEASED TO THE PUBLIC ON THE AUTHORITY OF EXECUTIVE ORDER 11759, 30 APRIL 1976, SUBJECT: UNCLASSIFIED INFORMATION.

REV	DATE	BY	CHKD	DESCRIPTION
1	11/14/44	W.D.	A	INITIAL DESIGN
2	11/14/44	W.D.	A	REVISED TO SHOW
3	11/14/44	W.D.	A	REVISED TO SHOW
4	11/14/44	W.D.	A	REVISED TO SHOW
5	11/14/44	W.D.	A	REVISED TO SHOW
6	11/14/44	W.D.	A	REVISED TO SHOW
7	11/14/44	W.D.	A	REVISED TO SHOW
8	11/14/44	W.D.	A	REVISED TO SHOW

CAUTION: OFF SHEET PARTS LIST
 SEE B-PL-H7140-O-0

THIRD ANGLE PROJECTION REMOVE DIMENSION LINES AND BREAK SHARP CORNERS DO NOT SCALE DIMS MATERIAL: SEE PARTS LIST FINISH: //	DIM. 2 ENG. 2 PROJ. ENGR. 1 PROD. F. 1	FIRST USED ON H7140 TITLE H7140 UNIT ASSY	ITEM NO. 40000
	UNLESS OTHERWISE SPECIFIED DIMENSIONS ARE IN INCHES ANGLE OF VIEW SURFACE QUALITY IN QUANTITY & VARIATION DIM. 2 DIM. 1 DIM. 2 DIM. 1	CLAS. OF ACCURACY DIM. 2 DIM. 1 DIM. 2 DIM. 1	NOMINAL DIMENSIONS DIM. 2 DIM. 1 DIM. 2 DIM. 1

DIGITAL EQUIPMENT CORPORATION PARTS LIST				QUANTITY / VARIATION								NOTES:							
MADE BY DATE		CHECKED DATE	SECTION	H7140-AA	H7140-AB	H7140-BA	H7140-BB												REF DESIGNATION
ENG DATE	A. MOWRY 8/15/79	<i>F. Muir</i> 8/17/79	ISSUED SECTION																
ITEM NO.	DRAWING NO.	PART NO.	DESCRIPTION																
28		9006664-00	WASHER, FLAT #10	2	2	2	2												
29		9007906-00	WASHER, SPLIT, LOCK #10	7	7	7	7												
30		9006037-01	SCR PHL PAN HD #8-32 X .38 LG	2	2	2	2												
31		9006022-01	SCR PHL PAN HD #6-32 X .38 LG	5	5	5	5												
32		9009796-00	SCR PHL FLAT HD #6-32 X 1/4 LG SELF TAP	14	14	14	14												
33		9009798-00	SCR PHL PAN HD #6-32 X 5/16 LG SELF TAP	11	11	11	11												
34		9006690-00	WASHER, SPLIT, LOCK #8	3	3	3	3												
35		9009243-00	NUT, KEP #6-32	1	1	1	1												
36		9007801-00	WASHER, SPLIT, LOCK #6	14	14	14	14												
37		9006656-00	WASHER, FLAT #6	6	6	6	6												
38		9008212-00	SCR NYLON SLTD PAN HD #6-32 X 7/16 LG	3	3	3	3												
39		9006039-02	SCR PHL FLAT HD #8-32 X .5 LG	1	1	1	1												
40		9009537-01	SCR PHL PAN HD #6-32 X .62 SELF TAP	4	4	4	4												
41		9008957-00	NUT, HEX #6-32	4	4	4	4												
42		3615037-02	LABEL, "DANGER HIGH CURRENT"	1	1	1	1												
43		3616930-00	LABEL, DANGER STORED HIGH VOLTAGE	1	1	1	1												
44		9009791-00	SCREW, SEMS, PHL PAN HD #6-32 X 5/16 LG	4	4	4	4												
45		9009087-00	FOAM, TAPE, SINGLE SIDED 1/8 X 2.10	2.25	2.25	2.25	2.25												
46	D-UA-5413607-00	5413607-YA	MEMORY REGULATOR BOARD	0	0	1	1												
47	B-MD-7424586-0-0	7424586-00	INSULATOR, HEATSINK	1	1	1	1												

E.C.O. NO.

"THIS DRAWING AND SPECIFICATIONS, HEREIN, ARE THE PROPERTY OF DIGITAL EQUIPMENT CORPORATION AND SHALL NOT BE REPRODUCED OR COPIED OR USED IN WHOLE OR IN PART AS THE BASIS FOR THE MANUFACTURE OR SALE OF ITEMS WITHOUT WRITTEN PERMISSION. COPYRIGHT © 1979 DIGITAL EQUIPMENT CORPORATION"

TITLE
H7140 UNIT ASSEMBLY

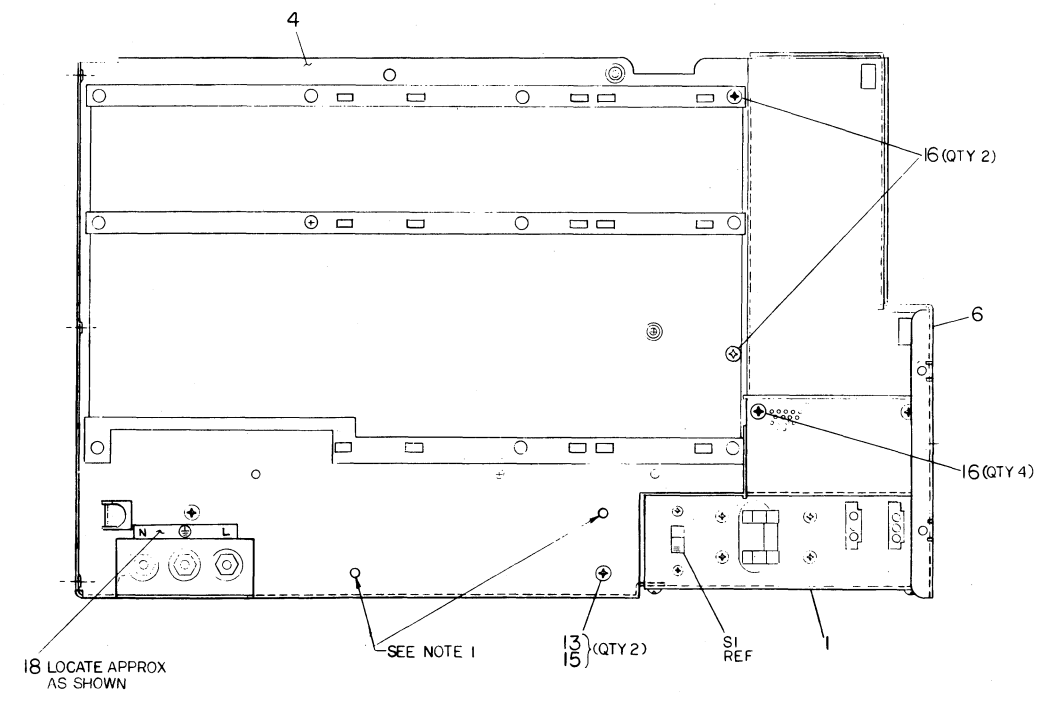
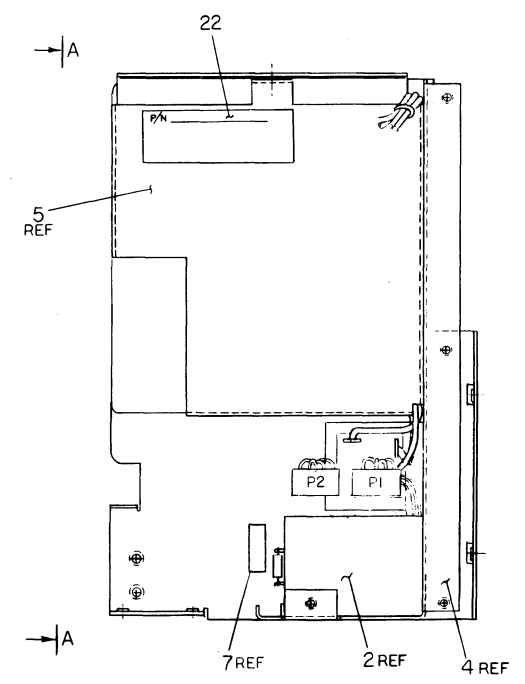
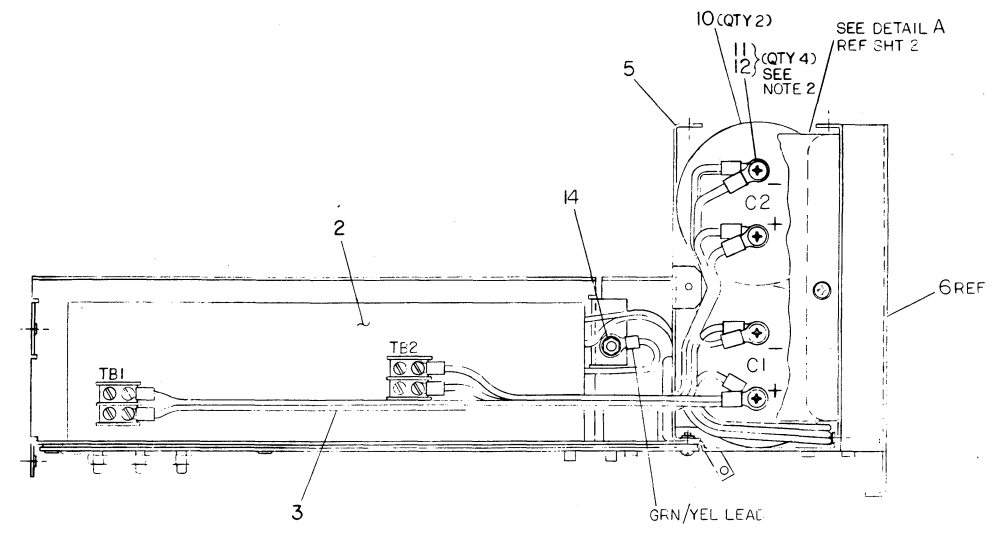
ASSY NO.
E-UA-H7140-00
SHEET 2 OF 2

SIZE CODE NUMBER REV.
B PL H7140-0-0 C

INSERTION PARTS LIST DATA BASE REV

1579

NOTE
 1. DO NOT INSTALL HARDWARE IN THESE HOLES.
 2. TORQUE TO 16 IN-LB ±10%.



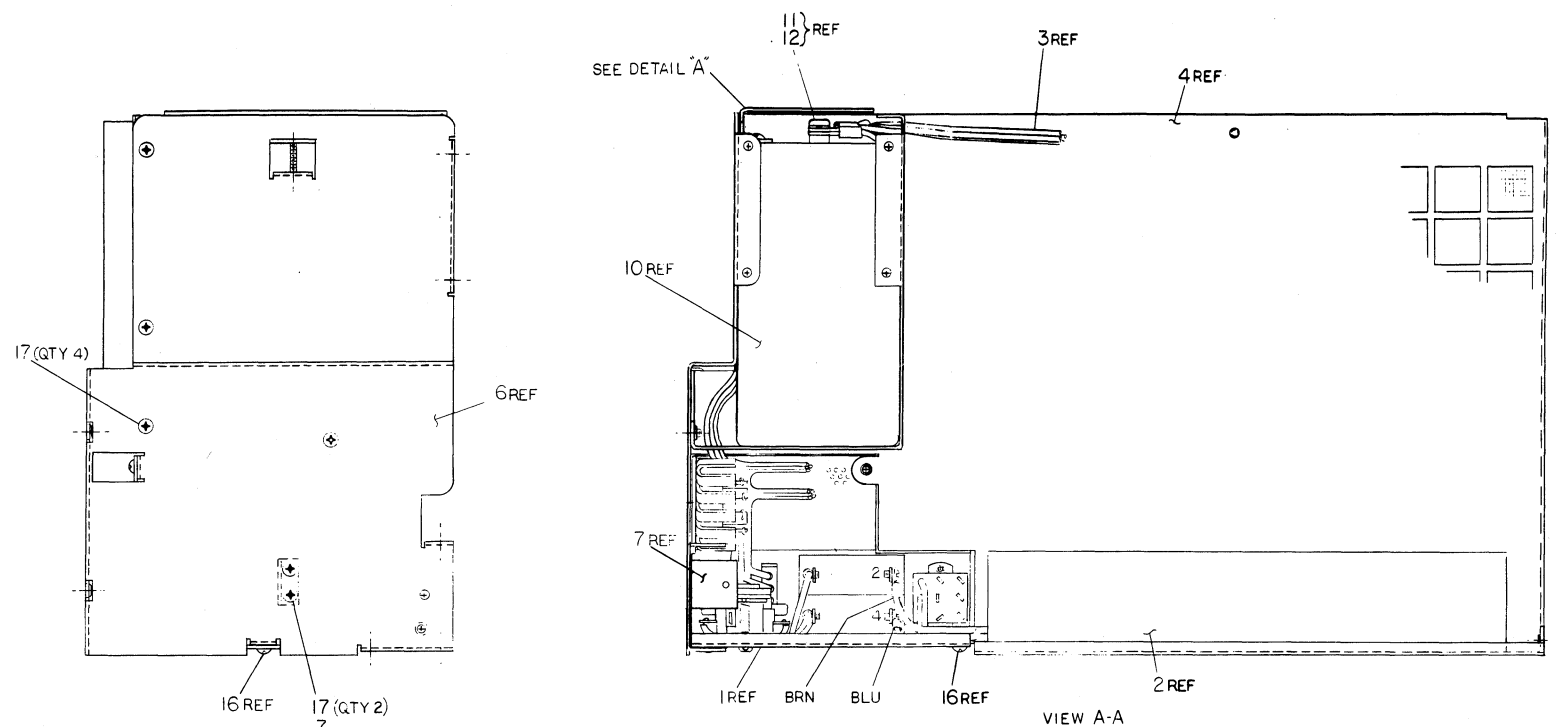
1579
 1579
 R. WOLF
 13 Nov 60

CAUTION: OFF SHEET PARTS LIST
 SEE B-PL-7016476-0-0

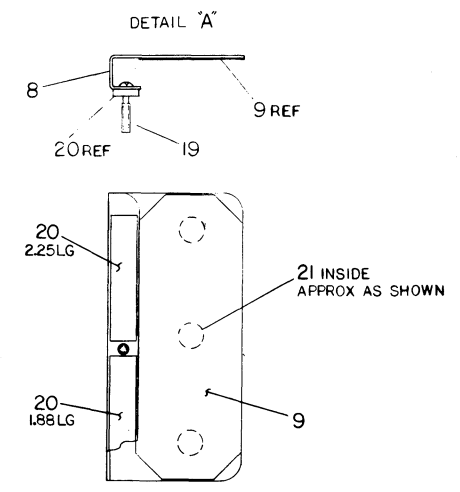
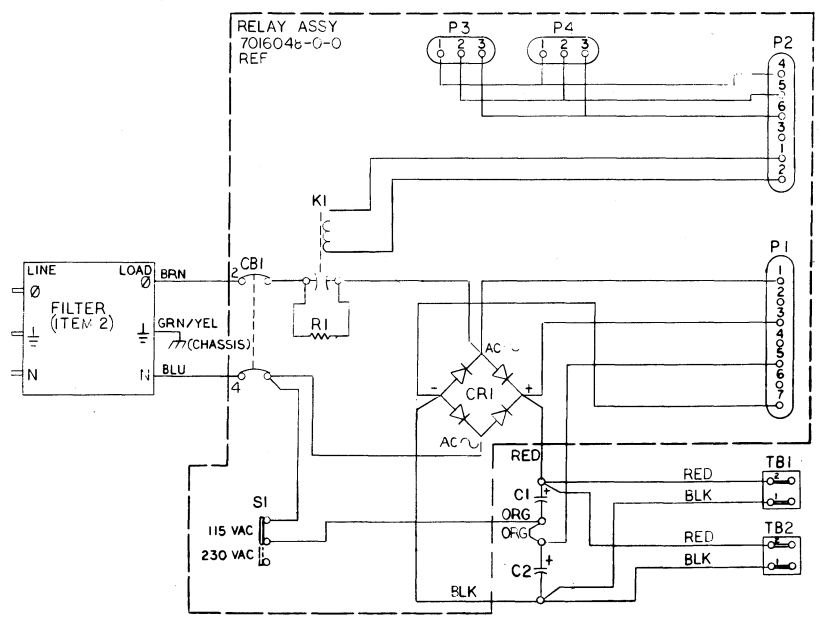
QTY	DESCRIPTION	ENCL. PART INCL.	TYPE INCL.
1	INPUT ASSY		

E-UA-H7140-0-0
 SCALE NONE
 PART 1 OF 2
 1 TW 1

THIS DRAWING AND ASSOCIATED PARTS ARE THE PROPERTY OF THE AIR FORCE. IT IS TO BE KEPT IN THE ORIGINAL FORM AND NOT REPRODUCED OR TRANSMITTED IN ANY FORM OR BY ANY MEANS, ELECTRONIC OR MECHANICAL, INCLUDING PHOTOCOPYING, RECORDING, OR BY ANY INFORMATION STORAGE AND RETRIEVAL SYSTEM.



VIEW A-A



21 INSIDE APPROX AS SHOWN

DIGITAL EQUIPMENT CORPORATION PARTS LIST

QUANTITY / VARIATION

NOTES:

MADE BY DATE	A. MOWRY 04-09-79	CHECKED DATE	SECTION
ENG DATE	Robert J. Wolf 8-10-79	PROD DATE	ISSUED SECTION
		F. MUNIZ / 8/10/79	

ITEM NO.	DRAWING NO.	PART NO.	DESCRIPTION	1	2	3	4	5	6	7	8	9	10	11	12	13	14	15	16	17	18	19	20	21	22	REF DESIGNATION
1	E-AD-7016048-0-0	7016048-00	RELAY ASSY	1																						
2	C-IA-7016898-0-0	7016898-00	FILTER, RFI, ASSY	1																						
3	D-IA-7016477-0-0	7016477-00	HARNESS, 300V	1																						
4	D-IA-7016926-0-0	7016926-00	CHASSIS ASSY, REAR	1																						
5	D-MD-7421433-0-0	7421433-00	BRACKET, CAPACITOR	1																						
6	D-MD-7421438-0-0	7421438-00	PANEL, SIDE	1																						
7	B-MD-7423546-0-0	7423546-00	BLOCK, MTG	1																						
8	B-MD-7422382-0-0	7422382-00	CLAMP, CAPACITOR	1																						
9	B-MD-7422401-0-0	7422401-00	INSULATOR, CAPACITOR	1																						
10		1014336-00	CAPACITOR, 4500 uf/200 VDC, E%	2																						
11		9006072-01	SCR, PHL PAN HD SS #10-32 x .438 LG	4																						
12		9007906-00	WASHER, SPLIT, LOCK #10	4																						
13		9006037-01	SCR, PHL PAN HD SS #8-32 x .375 LG	2																						
14		9006565-00	NUT, KEP CS/CAD #10-32 x 3/8 AF	1																						
15		9006690-00	WASHER, SPLIT, LOCK #8	2																						
16		9009708-00	SCREW, PHL PAN HD SELF TAP #6-32 x .312	6																						
17		9009796-00	SCR, PHL FLAT HD SELF TAP #6-32 x .250	6																						
18		3617016-00	LABEL, N-GROUND-L	1																						
19		9010133-00	SCREW, PHILL PAN HD #8-32 x .88 LG	1																						
20		9009342-00	FOAM TAPE ADH. BACK .50 x .125	.35	FT																					
21		9009157-00	ADHESIVE, PERMABOND #101	A/R																						
22		9009255-00	LABEL, POWER SUPPLY	1																						

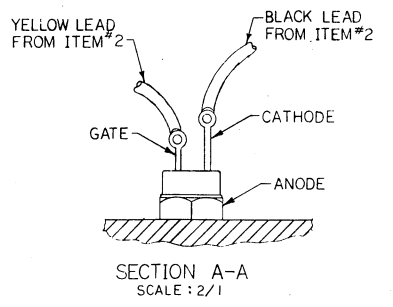
E.C.O. NO.
H7140-
TY001

"THIS DRAWING AND SPECIFICATIONS, HEREIN, ARE THE PROPERTY OF DIGITAL EQUIPMENT CORPORATION AND SHALL NOT BE REPRODUCED OR COPIED OR USED IN WHOLE OR IN PART AS THE BASIS FOR THE MANUFACTURE OR SALE OF ITEMS WITHOUT WRITTEN PERMISSION. COPYRIGHT © 1979 DIGITAL EQUIPMENT CORPORATION"	TITLE INPUT ASSY	ASSY NO. E-AD-7016476-00	SIZE B	CODE PL	NUMBER 7016476-0-0	REV. A
		SHEET 1 OF 1	INSERTION PARTS LIST DATA CASE REV			

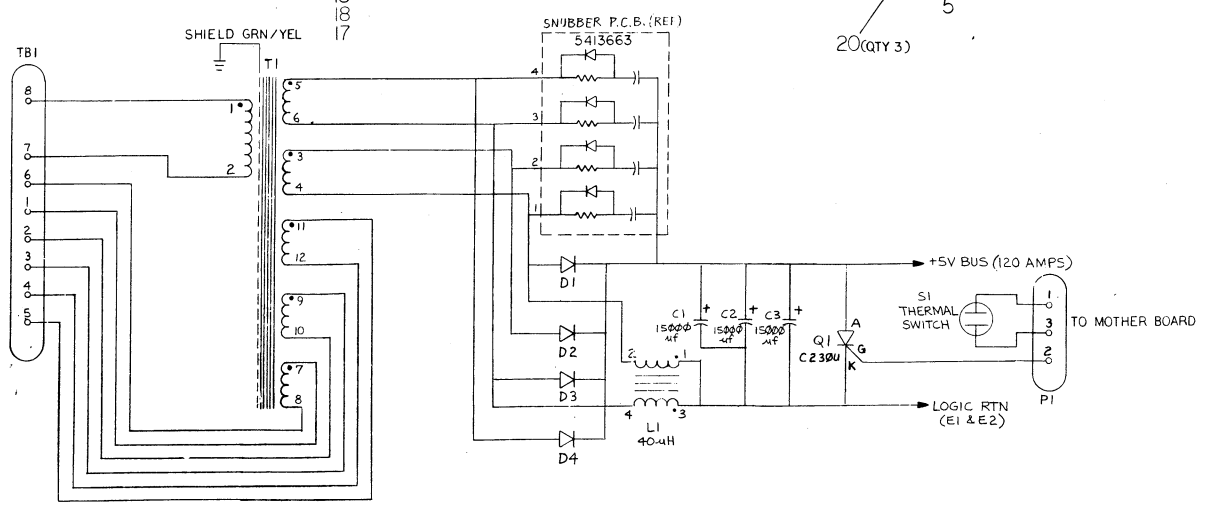
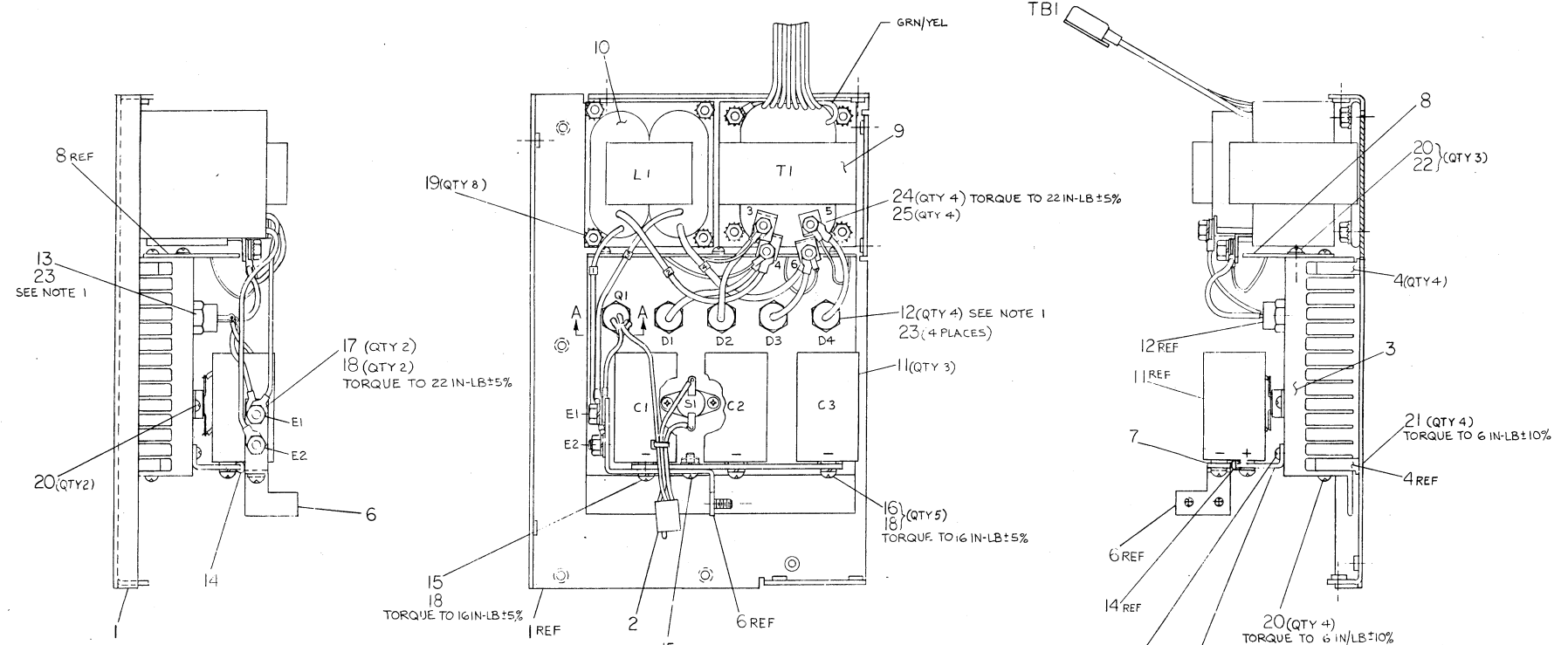
TW

REVISIONS AND SPECIFICATIONS, HEREON ARE THE PROPERTY OF THE U.S. GOVERNMENT AND SHALL BE REPRODUCED OR COPIED IN WHOLE OR IN PART AS FAR AS PRACTICABLE FOR THE U.S. GOVERNMENT OR ONE OF ITS AGENCIES.

INTERCONNECTION TABLE		REMARKS
FROM	TO	
D1	T1-4	
L1-2	T1-4	
WIRE #1 ITEM 8	T1-3	
D2	T1-3	
WIRE #2 ITEM 8	T1-6	
D3	T1-6	
L1-4	T1-6	
WIRE #3 ITEM 8	T1-5	
D4	T1-5	
WIRE #4 ITEM 8	MTD STUD	
T1-GRN/YEL	Q1-GATE	
YEL LEAD ITEM 2	E1	
BLK LEAD ITEM 2	E1	
Q1-CATHODE	E1	
L1-3	E2	
L1-1	E2	



NOTES:
 1. ITEMS 12 & 13 (D1-D4 & Q1) MUST SEAT FLUSH ON HEATSINK (ITEM 3). USE T.M. 23 (JOINT COMPND) UNDER ITEMS 12 & 13. TORQUE TO 25 IN.-LBS MIN. UNTIL FULLY SEATED.



CAUTION: OFF SHEET PARTS LIST
 SEE B-PL-7016054-0-0

DESCRIPTION		DWG. PART NO.	ITEM NO.
UNLESS OTHERWISE SPECIFIED DIMENSIONS ARE IN INCHES			
ANGLES	45°/90°		
SURFACE QUALITY	(CHECK ONE)		
QUANTITY & VARIATION	PRECISION		
THIRD ANGLE PROJECTION	DRN. J. [Signature]	11-7-78	FIRST USED ON H7140
REMOVE BURRS AND BREAK SHARP EDGES	CHK'D [Signature]	12/2/78	
DO NOT SCALE DWG	ENG. [Signature]	12/2/78	
MATERIAL SEE PARTS LIST	PROJ. ENG. [Signature]	12/2/78	
FINISH	PROD. [Signature]	12/2/78	
NEXT HIGHER ASSY.		SIZE CODE	NUMBER
E-12A-117140-0-0		E AD	7016054-0-0
SCALE NONE		SHEET	1 OF 1
DIST.			

TITLE
OUTPUT PANEL ASSY

REVISIONS AND SPECIFICATIONS, HEREON ARE THE PROPERTY OF THE U.S. GOVERNMENT AND SHALL BE REPRODUCED OR COPIED IN WHOLE OR IN PART AS FAR AS PRACTICABLE FOR THE U.S. GOVERNMENT OR ONE OF ITS AGENCIES.

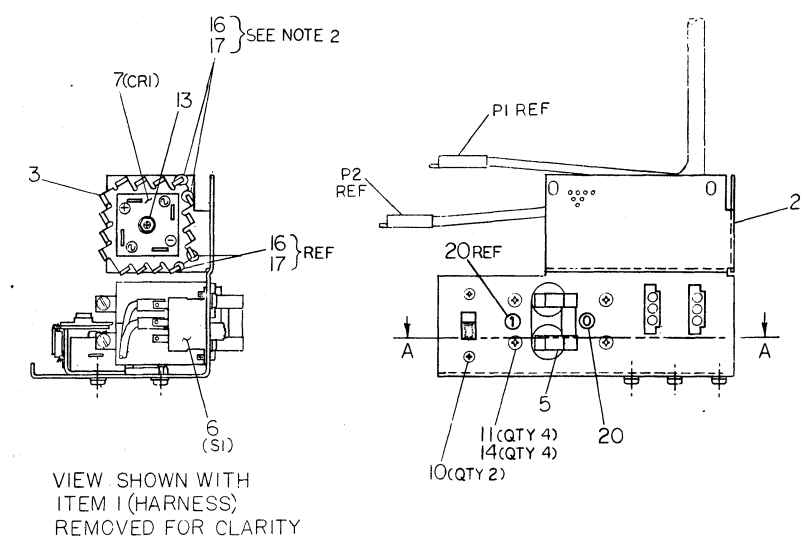
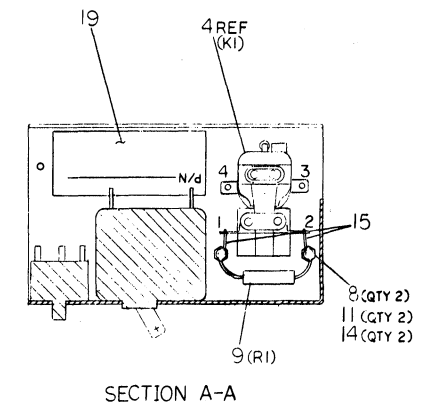
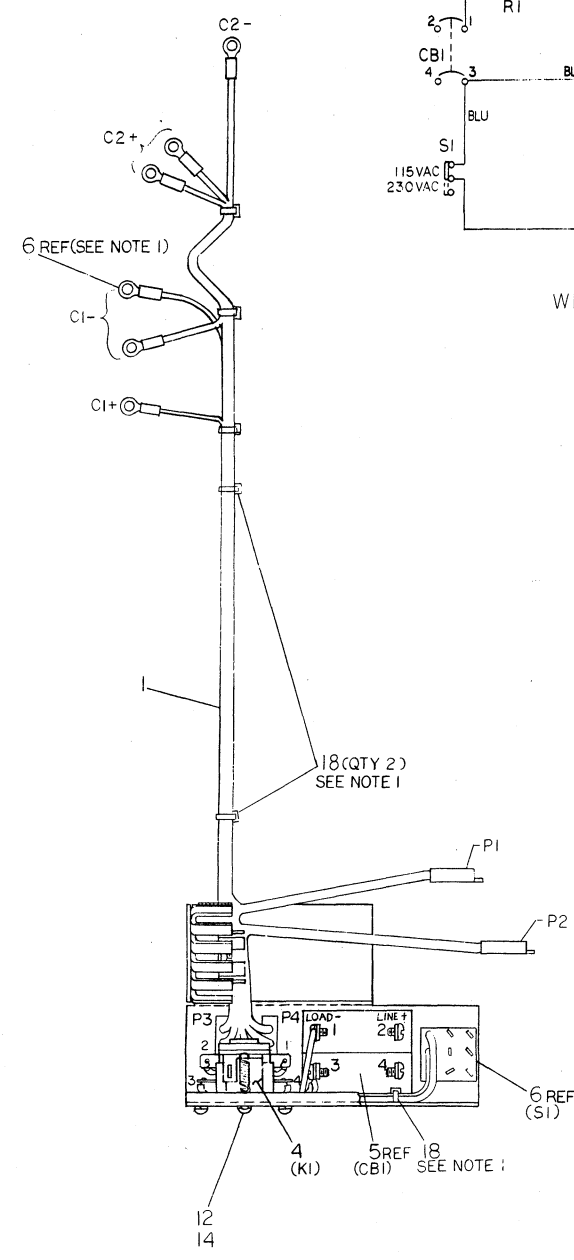
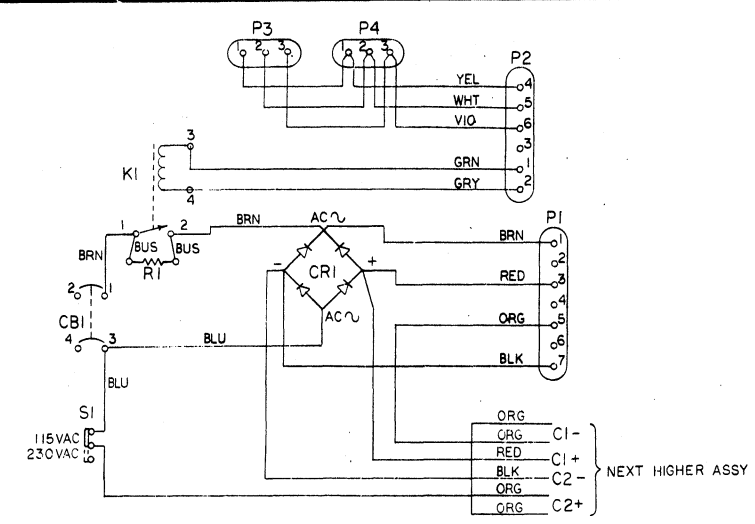
DIGITAL EQUIPMENT CORPORATION PARTS LIST				QUANTITY / VARIATION										NOTES:				
MADE BY DATE A. Mowry 07/02/79		CHECKED <i>ffil</i> DATE 7/29/79																
ENG DATE Robert J. Goff 7-26-79		PROD Manuel Hidalgo (R.J.W.) DATE 7-31-79																
ITEM NO.	DRAWING NO.	PART NO.	DESCRIPTION	7016054-00	REF DESIGNATION	REF DESIGNATION	REF DESIGNATION	REF DESIGNATION										REF DESIGNATION
1	D-MD-7421434-0-0	7421434-00	CHASSIS, SIDE	1														
2	D-IA-7016511-0-0	7016511-00	OVERTEMP CABLE & SWITCH ASSY	1														
3		1216648-00	HEAT SINK	1														
4		1216965-00	MTG BLOCK, INSULATED	4														
5	B-MD-7422038-0-0	7422038-00	CAP., BRKT POS.	1														
6	B-MD-7422037-0-0	7422037-00	BRKT, RETURN BUS	1														
7	B-MD-7422036-0-0	7422036-00	BRKT, CAP NEG.	1														
8	D-UA-5413663-0-0	5413663-00	SNUBBER P.C.B.	1														
9	C-IA-7016056-0-0	7016056-00	XFORMER, PWR, HIGH FREQ ASSY	1	T1													
10	C-IA-7016055-0-0	7016055-00	CHOKE, OUTPUT DOUBLE SECTION ASSY	1	L1													
11		1014338-00	CAPACITOR, 15,000 MFD 7.5V ± 20%	3	C1	C2	C3											
12		1114197-00	RECTIFIER PLU=45 I=60	4	D1	D2	D3	D4										
13		1109978-00	RECTIFIER, C230V SCR @ 25V I = 25A	1	Q1													
14		9007036-00	GROMMET, CATERPILLAR	.33	FT													
15		9006071-01	SCR PHL PAN HD #10-32 X .38	2														
16		9006070-01	SCR PHL PAN HD #10-32 X .31	5														
17		9009005-00	NUT, HEX #10-32 X 1/4 AF	3														
18		9007906-00	WASHER, SPLIT LOCK #10	9														
19		9006563-00	NUT, KEP #8-32 X 11/32 AF	8														
20		9009708-00	SCR, PHL PAN HD SELF TAP #6-32 X .31	12														
21		9009796-00	SCR PHL (FLT) HD SELF TAP #6-32 X .25	4														
22		9009882-00	WASHER, LOCK INT TOOTH #6	3														
23		9008268-00	COMPOUND, THERMAL JOINT	A/R														
24		9006561-00	NUT, HEX #8-32 x 5/16 AF	4														
25		9006690-00	WASHER, LOCK, S.S. #8	4														

E.C.O. NO.

"THIS DRAWING AND SPECIFICATIONS, HEREIN, ARE THE PROPERTY OF DIGITAL EQUIPMENT CORPORATION AND SHALL NOT BE REPRODUCED OR COPIED OR USED IN WHOLE OR IN PART AS THE BASIS FOR THE MANUFACTURE OR SALE OF ITEMS WITHOUT WRITTEN PERMISSION. COPYRIGHT ©1979 DIGITAL EQUIPMENT CORPORATION"				TITLE OUTPUT PANEL ASSEMBLY			ASSY NO. E-AD-7016054-0-0		SIZE B	CODE PL	NUMBER 7016054-0-0	REV. *
							SHEET 1 OF 1		INSERTION PARTS LIST DATA BASE REV			

THIS DRAWING AND SPECIFICATION SHALL BE THE PROPERTY OF THE U.S. AIR FORCE. IT IS TO BE USED ONLY FOR THE PURPOSES AUTHORIZED THEREIN. IT IS TO BE RETURNED TO THE SOURCE OF ORIGIN UPON REQUEST.

NOTES:
 1. DRESS ORG LEAD OF ITEM 6(SI) AROUND ITEM 7(CRI) AND LAY IN WITH MAIN HARNESS BODY. USE ITEM 18(CABLE TIES) APPROX WHERE SHOWN.
 2. CUT ITEM 16(AT R/PILLAR) FROM MET TO .70 LG. 4 PIECES CEMENT IN PLACE WITH ITEM 17 (PERMABOND ADHESIVE) AS SHOWN.



CAUTION: OFF SHEET PARTS LIST
 SEE B-PL-7016048-0-0

QUANTITY & VARIATION	DESCRIPTION	PART NO.	ITEM NO.
AS SHOWN	RELAY ASSY	H7140	1
AS SHOWN	RELAY ASSY	H7140	2
AS SHOWN	RELAY ASSY	H7140	3
AS SHOWN	RELAY ASSY	H7140	4
AS SHOWN	RELAY ASSY	H7140	5
AS SHOWN	RELAY ASSY	H7140	6
AS SHOWN	RELAY ASSY	H7140	7
AS SHOWN	RELAY ASSY	H7140	8
AS SHOWN	RELAY ASSY	H7140	9
AS SHOWN	RELAY ASSY	H7140	10
AS SHOWN	RELAY ASSY	H7140	11
AS SHOWN	RELAY ASSY	H7140	12
AS SHOWN	RELAY ASSY	H7140	13
AS SHOWN	RELAY ASSY	H7140	14
AS SHOWN	RELAY ASSY	H7140	15
AS SHOWN	RELAY ASSY	H7140	16
AS SHOWN	RELAY ASSY	H7140	17
AS SHOWN	RELAY ASSY	H7140	18
AS SHOWN	RELAY ASSY	H7140	19
AS SHOWN	RELAY ASSY	H7140	20
AS SHOWN	RELAY ASSY	H7140	21
AS SHOWN	RELAY ASSY	H7140	22
AS SHOWN	RELAY ASSY	H7140	23
AS SHOWN	RELAY ASSY	H7140	24
AS SHOWN	RELAY ASSY	H7140	25
AS SHOWN	RELAY ASSY	H7140	26
AS SHOWN	RELAY ASSY	H7140	27
AS SHOWN	RELAY ASSY	H7140	28
AS SHOWN	RELAY ASSY	H7140	29
AS SHOWN	RELAY ASSY	H7140	30
AS SHOWN	RELAY ASSY	H7140	31
AS SHOWN	RELAY ASSY	H7140	32
AS SHOWN	RELAY ASSY	H7140	33
AS SHOWN	RELAY ASSY	H7140	34
AS SHOWN	RELAY ASSY	H7140	35
AS SHOWN	RELAY ASSY	H7140	36
AS SHOWN	RELAY ASSY	H7140	37
AS SHOWN	RELAY ASSY	H7140	38
AS SHOWN	RELAY ASSY	H7140	39
AS SHOWN	RELAY ASSY	H7140	40
AS SHOWN	RELAY ASSY	H7140	41
AS SHOWN	RELAY ASSY	H7140	42
AS SHOWN	RELAY ASSY	H7140	43
AS SHOWN	RELAY ASSY	H7140	44
AS SHOWN	RELAY ASSY	H7140	45
AS SHOWN	RELAY ASSY	H7140	46
AS SHOWN	RELAY ASSY	H7140	47
AS SHOWN	RELAY ASSY	H7140	48
AS SHOWN	RELAY ASSY	H7140	49
AS SHOWN	RELAY ASSY	H7140	50
AS SHOWN	RELAY ASSY	H7140	51
AS SHOWN	RELAY ASSY	H7140	52
AS SHOWN	RELAY ASSY	H7140	53
AS SHOWN	RELAY ASSY	H7140	54
AS SHOWN	RELAY ASSY	H7140	55
AS SHOWN	RELAY ASSY	H7140	56
AS SHOWN	RELAY ASSY	H7140	57
AS SHOWN	RELAY ASSY	H7140	58
AS SHOWN	RELAY ASSY	H7140	59
AS SHOWN	RELAY ASSY	H7140	60

DIGITAL EQUIPMENT CORPORATION PARTS LIST

MADE BY DATE	A. MOWRY 03/27/79	CHECKED DATE	SECTION
ENG DATE	Robert J. Wolf 7-27-79	PROD DATE	ISSUED SECTION
		Manuel Hitzler (R.J.W.) 7-31-79	

QUANTITY / VARIATION

NOTES:

ITEM NO.	DRAWING NO.	PART NO.	DESCRIPTION	1	2	3	4	5	6	7	8	9	10	11	12	13	14	15	16	17	18	19	20	REF DESIGNATION
1	D-IA-7016049-0-0	7016049-00	HARNESS, A.C. INPUT	1																				
2	D-MD-7422040-0-0	7422040-00	BRACKET, INPUT	1																				
3		1216688-00	HEAT SINK	1																				
4		1216206-00	RELAY, PWR 12V COIL. SPST 30A	1																				
5		1212124-01	CKT BKR, 2 P SERIES TRIP, 20A 240V	1																				
6	C-IA-7016923-0-0	7016923-00	SWITCH ASSY	1																				
7		1116216-00	BRIDGE RECTIFIER IF = 30A, 600V VR	1																				
8		9006966-00	TERMINAL, P.C.B. 2 POS INS, TURRET	2																				
9		1314848-00	RESISTOR 3 OHM 5% 7 WATT	1																				
10		9000039-06	SCR, PHIL, FLAT HD #4-40 x .187	2																				
11		9006020-01	SCR, PHIL, PAN HD #6-32 x .250	6																				
12		9006021-01	SCR, PHIL, PAN HD #6-32 x .312	1																				
13		9009243-00	NUT, KEP #6-32 x 5/16 AF S.S.	1																				
14		9007801-00	WASHER, LOCK SS #6	7																				
15		9107560-03	WIRE BUSS #18 AWG	.21	FT																			
16		9007036-00	GROMMET, CATERPILLAR	.25	FT																			
17		9009157-00	ADHESIVE, PERMABOND	A/R																				
18		9007031-00	TIE, CABLE SST1-M	3																				
19		9009255-00	LABEL, POWER SUPPLY	1																				
20		3615680-00	LABEL, SWITCH POSITION, ADH BACK	1																				

E.C.O. NO.

"THIS DRAWING AND SPECIFICATIONS, HEREIN, ARE THE PROPERTY OF DIGITAL EQUIPMENT CORPORATION AND SHALL NOT BE REPRODUCED OR COPIED OR USED IN WHOLE OR IN PART AS THE BASIS FOR THE MANUFACTURE OR SALE OF ITEMS WITHOUT WRITTEN PERMISSION. COPYRIGHT © 1979 DIGITAL EQUIPMENT CORPORATION"	TITLE RELAY ASSY	ASSY NO. E-AD-7016048-0-0	SIZE B	CODE PL	NUMBER 7016048-0-0	REV. *
		SHEET 1 OF 1	INSERTION PARTS LIST DATA BASE REV			

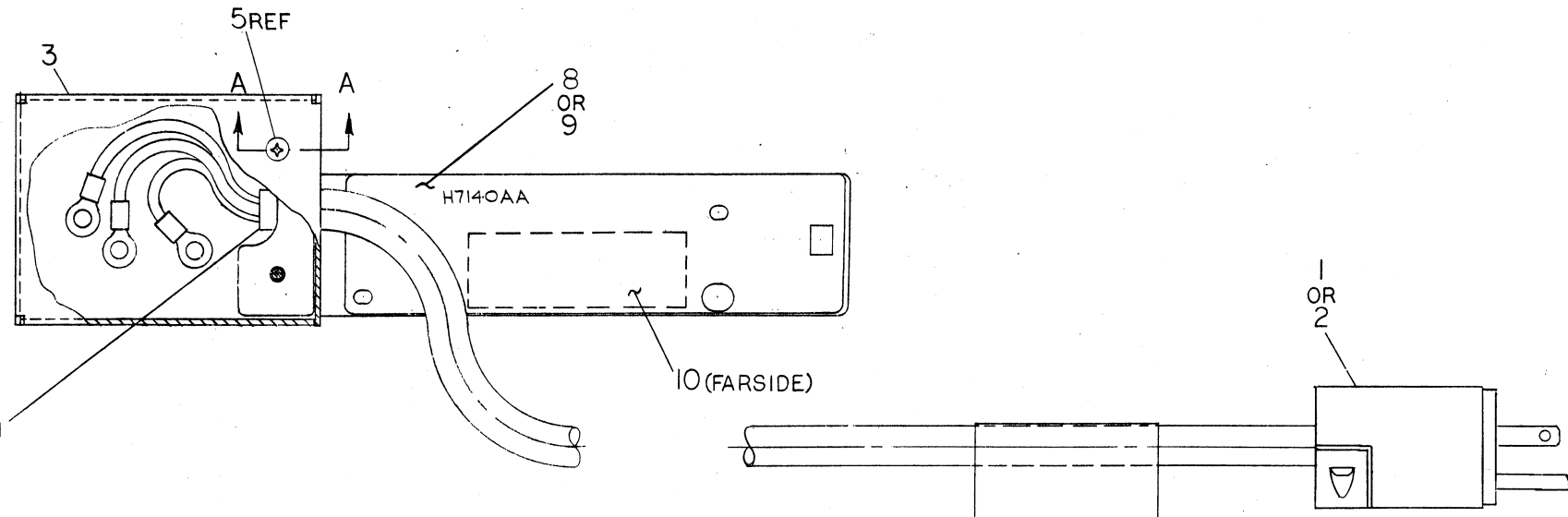
TW

THIS DRAWING AND SPECIFICATIONS HEREIN ARE THE PROPERTY OF DIGITAL EQUIPMENT CORPORATION AND SHALL NOT BE REPRODUCED OR COPIED OR USED IN WHOLE OR IN PART AS THE BASIS FOR THE DESIGN OR CONSTRUCTION OF ITEMS WITHOUT WRITTEN PERMISSION OF DIGITAL EQUIPMENT CORPORATION. COPYRIGHT © 1979.

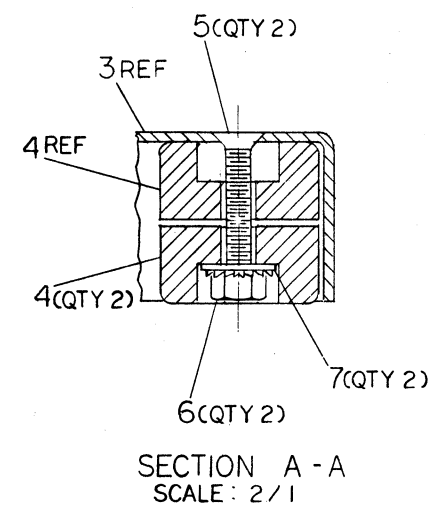
PART NO.	VARIATION
7016478-00	120V (H7140AA)
7016478-01	220V-240V (H7140AB)

* 0-0-8279102 2

NOTES:
 1. OUTSIDE JACKET OF ITEM 1 OR 2 (LINE CORD) TO EXTEND APPROX. .25 IN. BEYOND CLAMPING AREA OF ITEM 4 (CABLE CLAMP).



SEE NOTE 1



QTY	DESCRIPTION	QTY/PART NO.	ITEM NO.
1	LABEL, PWR SUPPLY	9009255-00	10
1	LABEL, H7140AB (220-240V)	3616977-01	9
1	LABEL, H7140AA (120V)	3616977-00	8
2	2 WASHER, FLAT #8-32 X 1/32 AF	9006660-00	7
2	2 NUT, KEP #8-32 X 1/32 AF	9006563-00	6
2	2 SCR, FLAT, PHIL #8-32 X 1" LG	9006042-02	5
2	2 CLAMP, CABLE	1215566-00	4
1	1 COVER, A.C.	D-MD-7422048-0	3
1	1 CORD ASSY, LINE (220-240V)	D-1A-7016907-1-0	2
1	1 CORD ASSY, LINE (120V)	D-1A-7016907-0-0	1

7016478-01	7016478-00	DESCRIPTION	QTY/PART NO.	ITEM NO.
UNLESS OTHERWISE SPECIFIED DIMENSIONS ARE IN INCHES				
SURFACE QUALITY IN MICROINCHES				
PREFERRED				
THIRD ANGLE PROJECTION				
DRN. <i>J. W. W.</i>	5-16-79	FIRST USED ON	H7140	
CHK'D <i>J. W. W.</i>	8-10-79	TITLE	POWER CORD ASSY	
ENG. <i>J. W. W.</i>	8-10-79	PROJ. ENGR. <i>J. W. W.</i>	8-10-79	
PROD. <i>J. W. W.</i>	7-12-79			
DO NOT SCALE DIM.				
NEXT HIGHER ASSY.				
E-1A-H7140-0-0		SIZE CODE	NUMBER	
SCALE 1/1		D AD7016478-0-0		REV. *
FINISH //		SHEET 1 OF 1		DIST.

REVISIONS	NO.	REV.
CHK	CHANGE NO.	

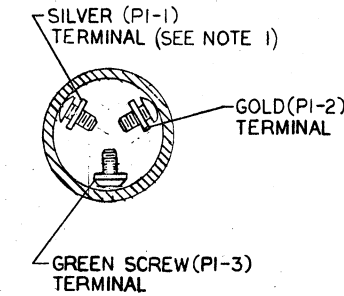
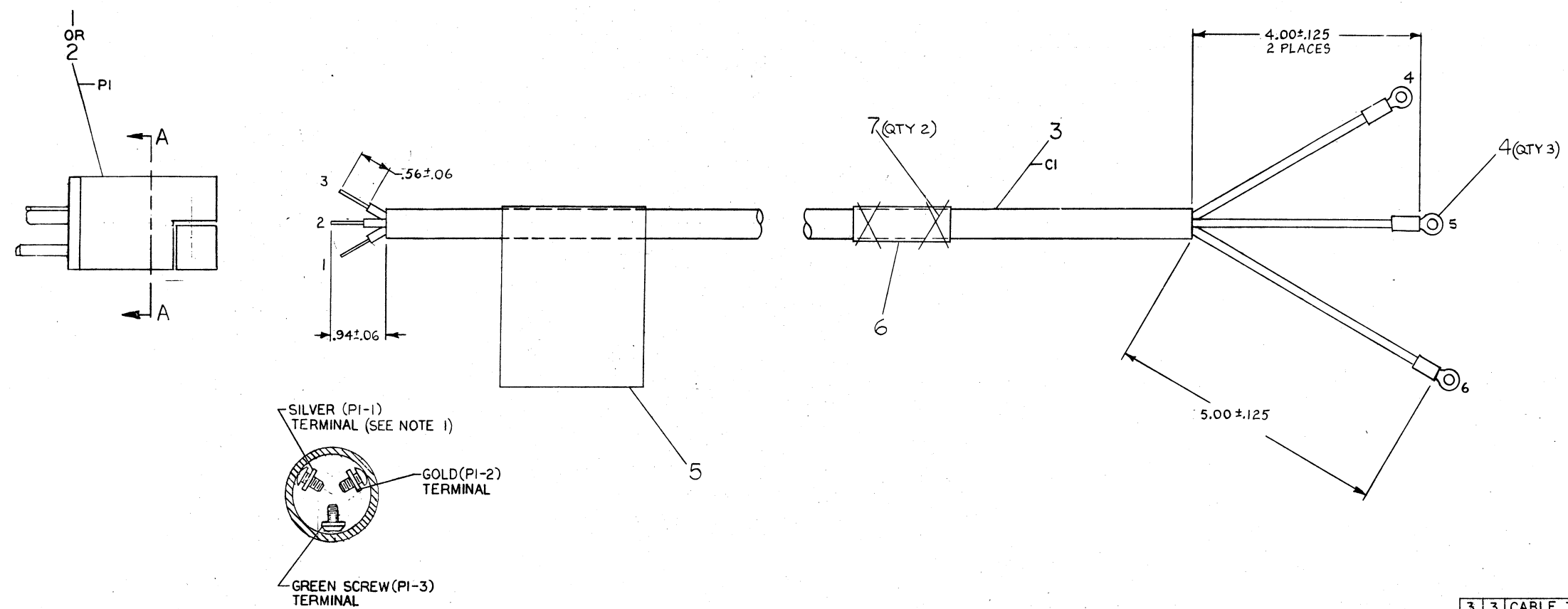
PART 7016478-0-0

THIS DRAWING AND SPECIFICATIONS, WHEN USED IN CONJUNCTION WITH THE REVISIONS OF THIS DRAWING, SHALL BE THE BASIS FOR THE MANUFACTURE OF THIS DRAWING. THE DRAWING IS THE PROPERTY OF THE COMPANY AND IS NOT TO BE REPRODUCED OR COPIED IN ANY MANNER WITHOUT THE WRITTEN PERMISSION OF THE COMPANY.
 Copyright © 1979, Digital Equipment Corporation

ITEM	DESCRIPTION		TO			FROM			LENGTH
	AWG	COLOR	POINT	CONNECTION	WITH	POINT	CONNECTION	WITH	
3	14	GRN/YEL	CI-1	PI-3	---	CI-6	---	4	9'5.0±2.0"
3	14	BLU	CI-2	PI-1	---	CI-5	---	4	9'4.0±2.0"
3	14	BRN	CI-3	PI-2	---	CI-4	---	4	9'4.0±2.0"

PARTS LEGEND	
PART NUMBER	VARIATION
7016907-00	120V
7016907-01	220V-240V

NOTES:
 1. TERMINAL PI-1 SILVER ON 120 V (215183-00) VARIATION ONLY. ON 230V VARIATIONS (9008853-00) PI-1 & PI-2 ARE GOLD.
 2. AFTER ASSY, COIL ITEM 3 (PWR CORD) 3 TIMES LEAVING ENDS APPROX 18 INCHES EACH SIDE. CABLE TIE COILS TOGETHER USING ITEM 7.



QTY	ITEM NO.	DESCRIPTION	QTY	ITEM NO.
3	3	CABLE TIE SSTI-M	9007031-00	7
1	1	LABEL, CABLE IDENT.	9009532-00	6
1	1	LABEL, AC LINE CORD WARNING	3611448-00	5
3	3	TERMI. RING, 1 POS, INS, 14AWG	9007928-00	4
1	1	POWER CORD, 14-3, 15A, 300V	1700027-01	3
1	1	CONN, PWR PLUG NEMA 6-15P	9008853-00	2
1	1	CONN, PWR PLUG NEMA 5-20P	1215183-00	1

7016907-01	7016907-00	DESCRIPTION	7016907-00	ITEM NO.	7016907-00
UNLESS OTHERWISE SPECIFIED DIMENSIONS ARE IN INCHES					
ANGLES	CLASS OF ACCURACY	TOLERANCES			
±.01	(CHECK ONE)	OVER	±.01	±.02	±.03
CURFACE QUALITY	MEDIUM	TO	±.04	±.05	±.06
IN	PREFERRED	±.012	±.016	±.020	±.025
QUANTITY & VARIATION		±.012	±.016	±.020	±.025
THIRD ANGLE PROJECTION	DRN. <i>A. Mung</i> 5/18/79	FIRST USED ON H7140			
REMOVE CURVES AND BREAK SHARP CORNERS	CHK'D <i>[Signature]</i> 7/24/79	TITLE LINE CORD ASSY			
DO NOT SCALE DWG	PROJ. ENG. <i>[Signature]</i> 7-24-79	SIZE D			
MATERIAL SEE PARTS LIST.	PROD. <i>[Signature]</i> 7-12-79	SCALE NONE			
FINISH	NEXT HIGHER ASSY.	DIST. AD 7016907-0-0			
		REV. *			

REV.	CHANGE NO.

8

7

6

5

4

3

DJA 5413663-0-0

2

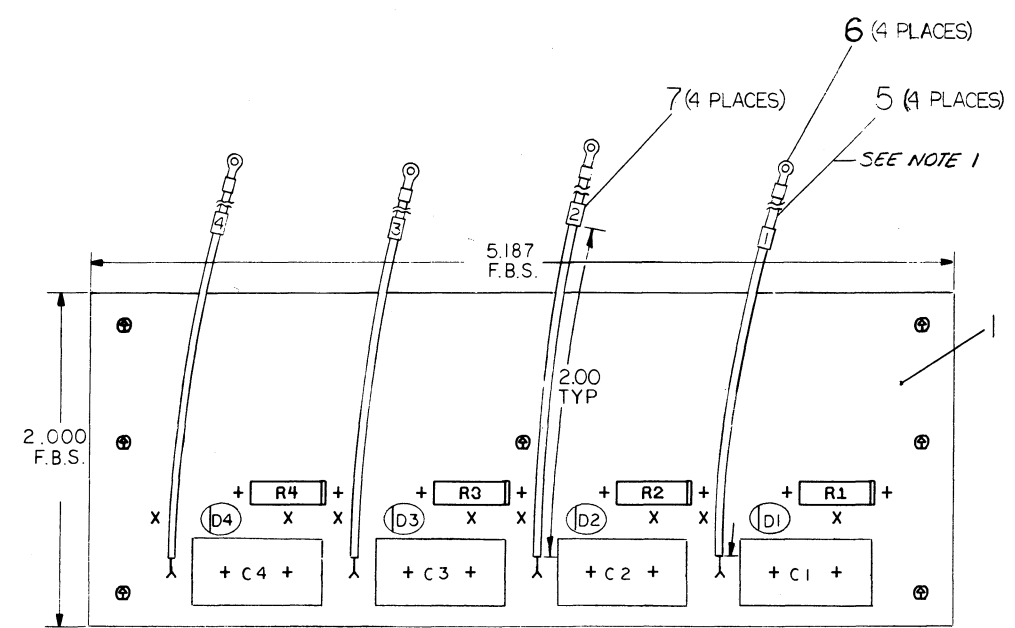
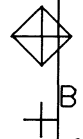
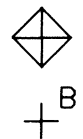
1

THIS DRAWING AND ALL INFORMATION CONTAINED HEREIN ARE THE PROPERTY OF DIGITAL EQUIPMENT CORPORATION AND SHALL BE KEPT IN CONFIDENTIALITY AND NOT TO BE REPRODUCED OR TRANSMITTED IN ANY FORM OR BY ANY MEANS, ELECTRONIC OR MECHANICAL, INCLUDING PHOTOCOPYING, RECORDING, OR BY ANY INFORMATION STORAGE AND RETRIEVAL SYSTEM.

COMPONENT SIDE VIEW

D
C
B
A

D
C
B
A



NOTES: 1. WIRE (ITEM 5) SHOULD BE PRECUT TO 4" LENGTHS (4 PIECES REQUIRED)

CHG	NO	REV

ETCH REV.	A
P.C. DESIGN DATA BASE REV.	A

SIGNATURES	DATE
DRN. <i>[Signature]</i>	7-7-78
CHK'D. <i>[Signature]</i>	7-14-78
ENG. <i>[Signature]</i>	6-26-78
PROJ. ENG. <i>[Signature]</i>	6-26-78
PROD. <i>[Signature]</i>	7-15-78

digital	
TITLE	H7140
SNUBBER BOARD	
SIZE	CODE
d	UA
NUMBER	5413663-0-0
REV	*

8

7

6

5

4

3

2

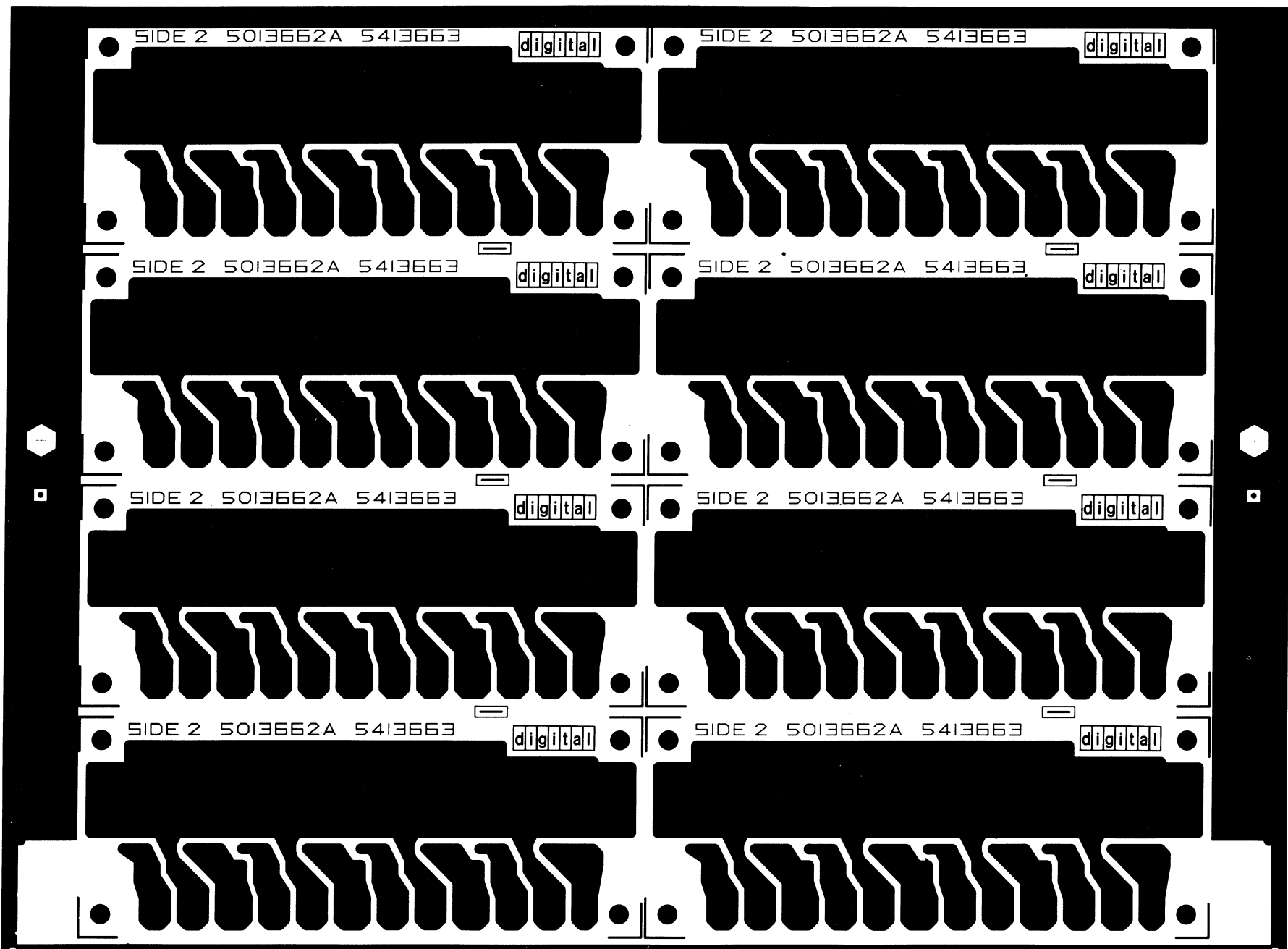
TU 1 MS# 125683A

"THIS DRAWING AND SPECIFICATIONS, HEREIN, ARE THE PROPERTY OF DIGITAL EQUIPMENT CORPORATION AND SHALL NOT BE REPRODUCED OR COPIED OR USED IN WHOLE OR IN PART AS THE BASIS FOR THE MANUFACTURE OR SALE OF ITEMS WITHOUT WRITTEN PERMISSION. COPYRIGHT © 1979 DIGITAL EQUIPMENT CORPORATION"

0-0-0 5413663-0-0 * DUA 2

D
C
B
A

D
C
B
A



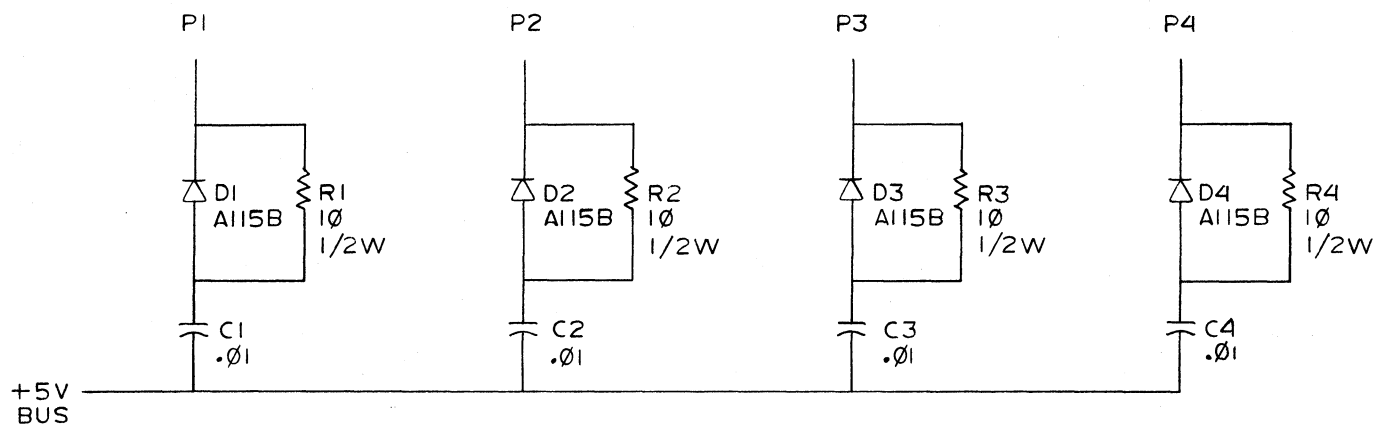
REVISIONS		
CHK	CHANGE NO.	REV.

TITLE: H7140 SNUBBER BOARD
 SCALE: 2/1
 SHEET: 2 OF 2
 SIZE CODE: DUA
 NUMBER: 5413663-0-0
 REV.: *

8 7 6 5 4 3 2 1

0-0-0 5413663-0-0 * DUA

"THIS DRAWING AND SPECIFICATIONS, HEREIN, ARE THE PROPERTY OF DIGITAL EQUIPMENT CORPORATION AND SHALL NOT BE REPRODUCED OR COPIED OR USED IN WHOLE OR IN PART AS THE BASIS FOR THE MANUFACTURE OR SALE OF ITEMS WITHOUT WRITTEN PERMISSION. COPYRIGHT © 1978 DIGITAL EQUIPMENT CORPORATION"



REVISIONS	REV.
	CHANGE NO.
CHK	

DEC FORM NO. DRC 111-A

QTY.	DESCRIPTION	PART NO.	ITEM NO.
PARTS LIST			
DRN. <i>James Angel</i>	DATE 5-29-78	<div style="border: 2px solid black; padding: 5px; display: inline-block; font-weight: bold; font-size: 1.2em;">digital</div>	
CHK'D. <i>James</i>	DATE 6-22-78		
ENG. <i>N. Norman</i>	DATE 6/26/78		
PROJ. ENG. <i>N. Norman</i>	DATE 6/26/78		
PROD. <i>F. Muniz</i>	DATE 7-13-78		
TITLE		H7140 SNUBBER BOARD	
NEXT HIGHER ASSY.		SIZE CODE	NUMBER
FIRST USED ON OPTION/MODEL		C CS	5413663-0-1
SCALE	NONE		REV. *
SHEET	OF	DIST.	

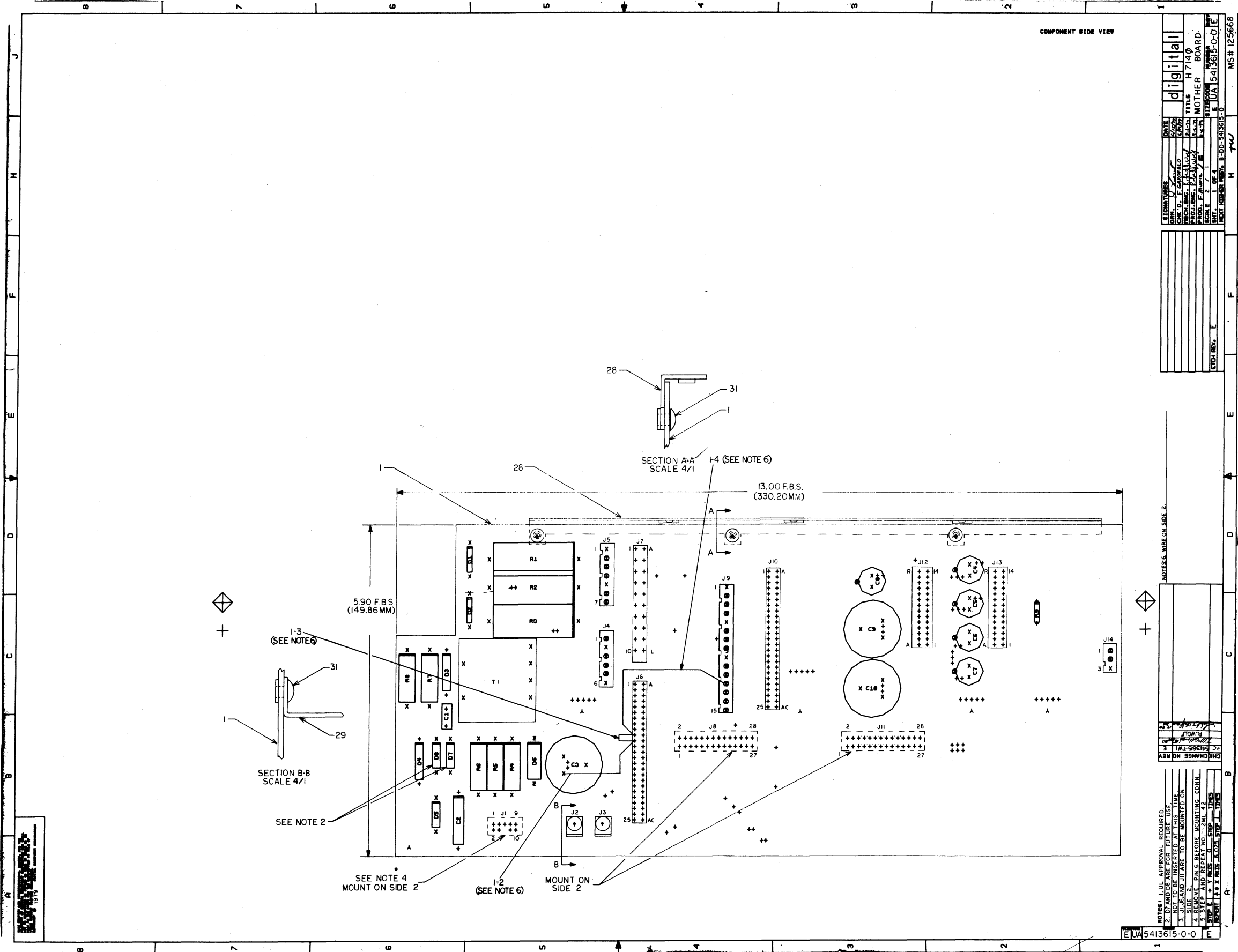
SIZE CODE C CS
 NUMBER 5413663-0-1
 REV. *

TW

LINE	ITEM	DOCUMENT NUMBER	PART NUMBER	DESCRIPTION	QTY PER VARIATION 00	REFERENCE DESIGNATOR
1	1	D-MD-5013662-0-0	5013662-00	DRILL & FTCH BD	1	
2	2		1011847-01	.01 MFD 400V 10% POLYPROP	4	C1-C4
3	3		1112594-01	A1158 PIV=200 I= 3A	4	D1-D4
4	4		1300168-00	10 1/2W 5% CC	4	R1-R4
5	5		9107801-33	WIRE,STRND,20AWG IPVC UL1431	A/R	
6	6		9007930-00	TERM RING 1POS INSULATED,22-16	4	
7	7		9008356-01	WIRE IDENTIFIER,(1-48)	1	

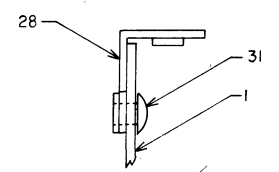
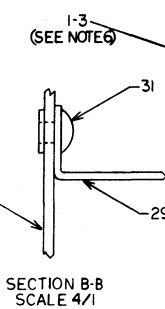
NOTE: ITEM #5, 1.33" IS USED.

REVISION HISTORY		BASIC PART NO: 5413663		DRN:	K.FRIEDGEN	DATE:	22-MAY-79	D I G I T A L			
ENG	ECO NUMBER	REV	SECTION A OF A	CHK'D:	J.CASEY	DATE:	19-JUL-79	TITLE PARTS LIST			
---	INITIAL	*	SECTION VARIATION INDEX	DFS.ENG:	J.A.HERRMANN	DATE:	22-MAY-79	DOCUMENT NUMBER			
			(A) 00	RESP.ENG.:	J.A.HERRMANN	DATE:	22-MAY-79	SIZE	CODE	NUMBER	REV
			(B)	MFG.ENG.:	F.MUNIZ	DATE:	19-JUL-79	K	PL	5413663-0-DBP	*
			(C)	ASSEMBLY NUMBER:	D-UA-5413663-0-0	TOP DOCUMENT NUMBER:	D-MD-5413663-0-0	FILE NAME:	13663.PLS	EDIT	*
			(D)								8
			(E)								
			(F)								
			(G)								
			(H)								
			(I)								
			(J)								
			(K)								
			(L)								
			(M)								
			(N)								
<p>"THIS DRAWING AND SPECIFICATIONS HEREIN, ARE THE PROPERTY OF DIGITAL EQUIPMENT CORPORATION AND SHALL NOT BE REPRODUCED OR COPIED OR USED IN WHOLE OR IN PART AS THE BASIS FOR THE MANUFACTURE OR SALE OF ITEMS WITHOUT WRITTEN PERMISSION. COPYRIGHT (C) 1979, DIGITAL EQUIPMENT CORPORATION"</p>											



COMPONENT SIDE VIEW

DATE	1/1/70	DESIGNED BY	digital
CHK'D BY	1/1/70	DRAWN BY	digital
APPROVED BY	1/1/70	CHECKED BY	digital
TITLE	H 7140	SCALE	1 OF 4
MOTHER BOARD		PART NUMBER	EUA 5413615-0-01E
		MS#	125668



1-3 (SEE NOTE 6)

1-4 (SEE NOTE 6)

5.90 F.S.
(149.86MM)

13.00 F.S.
(330.20MM)

SEE NOTE 2

SEE NOTE 4
MOUNT ON SIDE 2

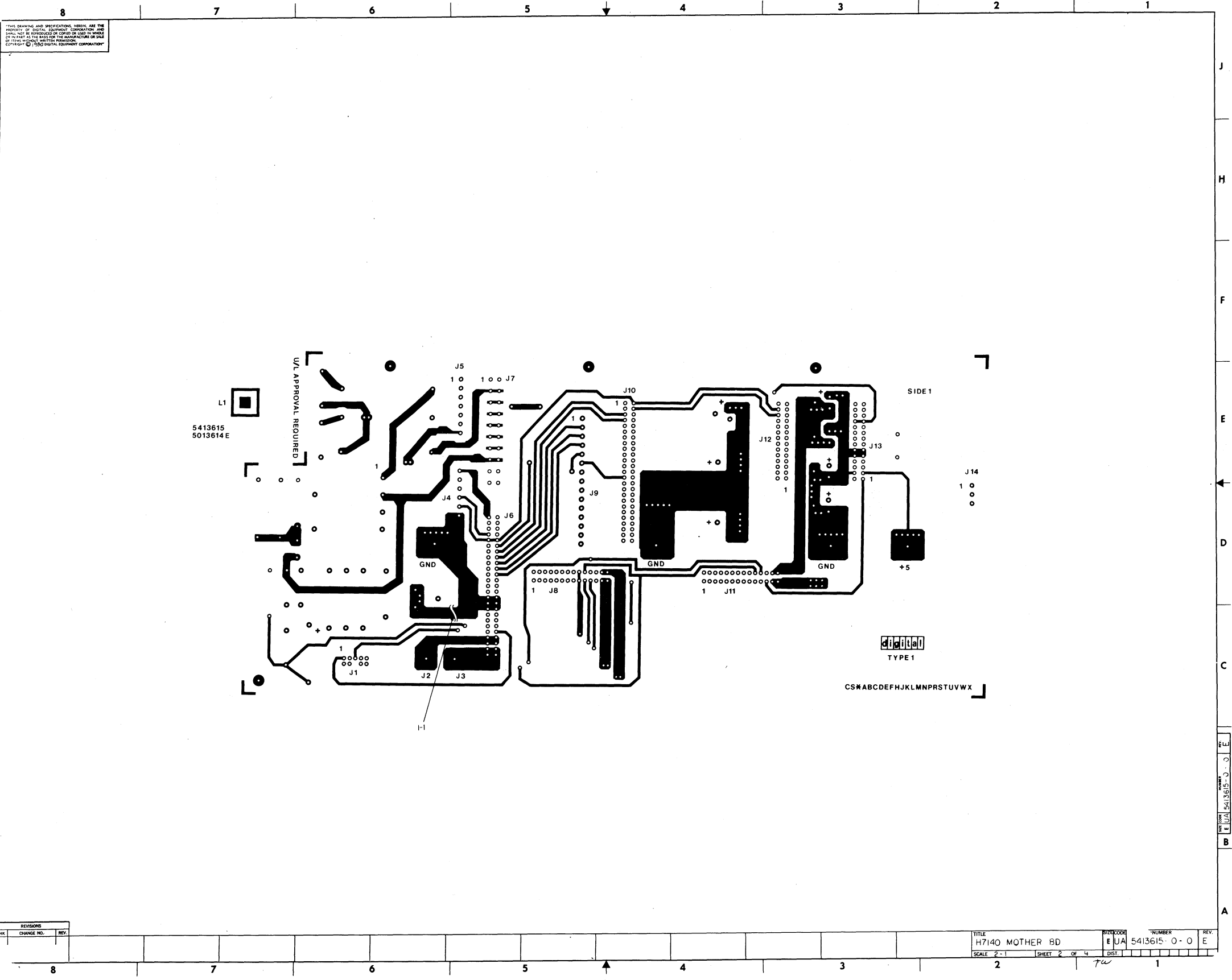
1-2 (SEE NOTE 6)

MOUNT ON
SIDE 2

NOTES & WIRE ON SIDE 2.

- NOTES: 1. UL APPROVAL REQUIRED.
2. DIODES ARE FOR FUTURE USE.
3. ALL COMPONENTS TO BE MOUNTED ON THIS SIDE.
4. REMOVE PIN 6 BEFORE MOUNTING CONN.
5. STEP AND REPEAT NO. 24, 22, 23, 24, 25, 26, 27, 28, 29, 30, 31, 32, 33, 34, 35, 36, 37, 38, 39, 40, 41, 42, 43, 44, 45, 46, 47, 48, 49, 50, 51, 52, 53, 54, 55, 56, 57, 58, 59, 60, 61, 62, 63, 64, 65, 66, 67, 68, 69, 70, 71, 72, 73, 74, 75, 76, 77, 78, 79, 80, 81, 82, 83, 84, 85, 86, 87, 88, 89, 90, 91, 92, 93, 94, 95, 96, 97, 98, 99, 100.

EUA 5413615-0-0



THIS DRAWING AND SPECIFICATION HEREIN ARE THE PROPERTY OF MEDICAL EQUIPMENT COMPANY AND SHALL NOT BE REPRODUCED OR USED IN WHOLE OR IN PART AS THE BASIS FOR THE MANUFACTURE OR SALE OF ANY EQUIPMENT WITHOUT THE WRITTEN PERMISSION OF MEDICAL EQUIPMENT COMPANY.

5413615
 5013614E

U/L APPROVAL REQUIRED

SIDE 1

TYPE 1

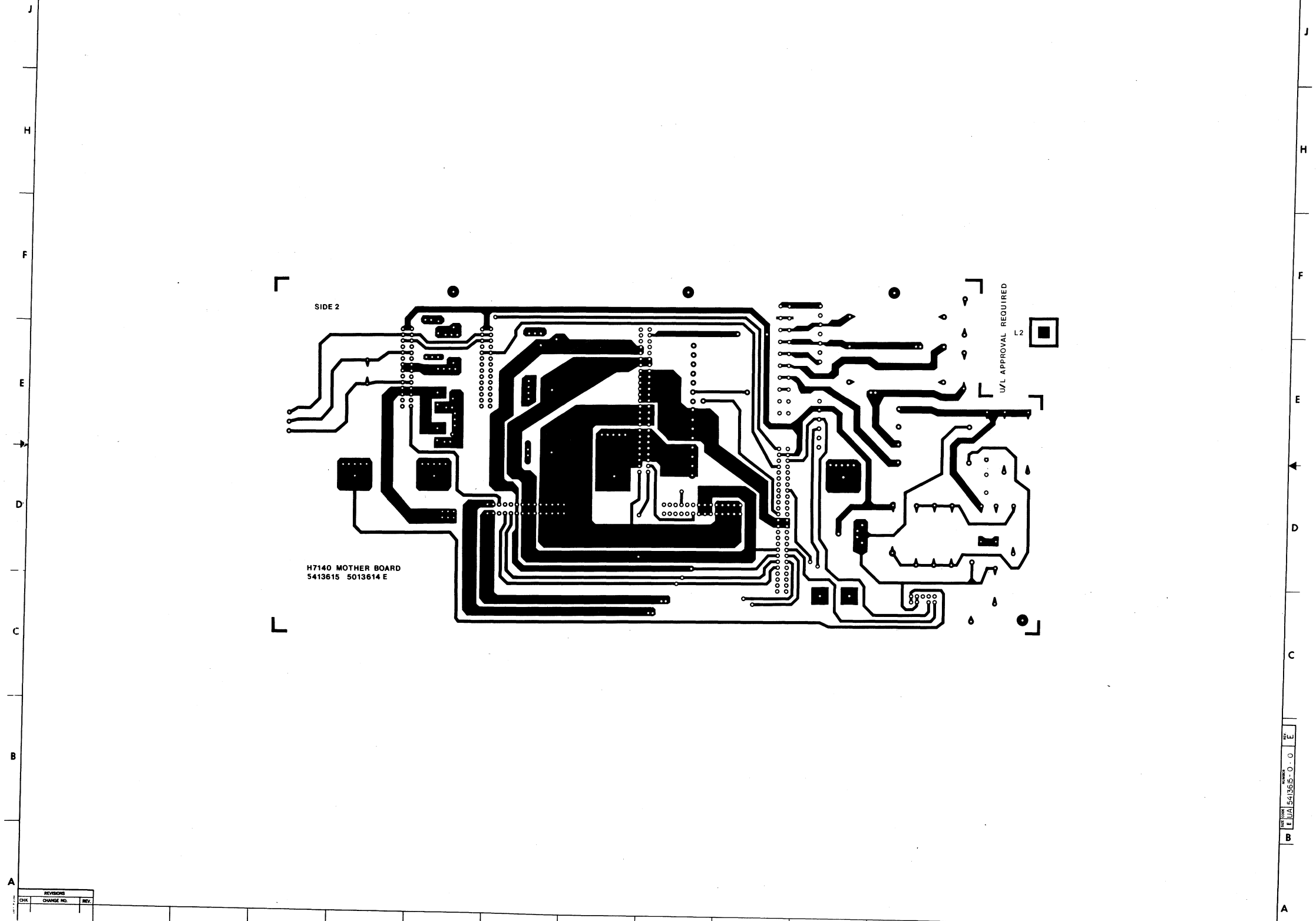
CS*ABCDEFGHIJKLMNPRSTUVWX

REVISIONS		
CHK	CHANGE NO.	REV.

TITLE	H7140 MOTHER BD	SIZE CODE	NUMBER	REV.
SCALE	2-1	SHEET	2 OF 4	DIST.

E L E
 5413615-0-0
 B

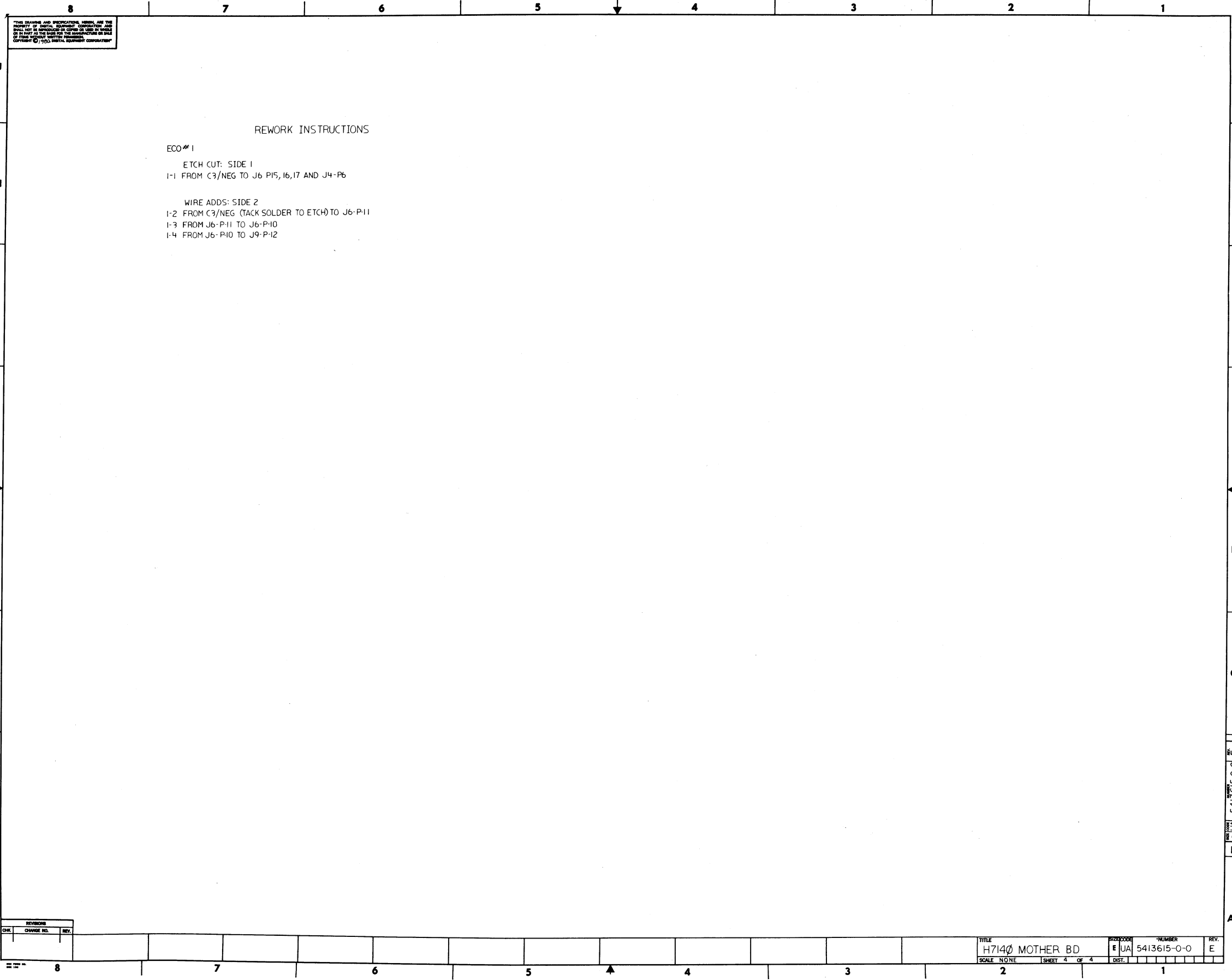
THIS DRAWING AND SPECIFICATION, WHEN AS THE
 PROPERTY OF DIGITAL EQUIPMENT CORPORATION, AND
 SHALL NOT BE REPRODUCED OR COPIED IN WHOLE
 OR IN PART WITHOUT THE WRITTEN PERMISSION
 OF THIS COMPANY. REVISED EDITION
 © 1970 DIGITAL EQUIPMENT CORPORATION



REVISIONS		
CHK	CHANGE NO.	REV.

TITLE	H7140 MOTHER BD	SIZE	0000	NUMBER	E UA 5413615-0-0	REV.	E
SCALE	2-1	SHEET	3	OF	4	DIST.	

DATE
 11/11/70
 DRAWN
 E UA
 CHECKED
 E UA
 NUMBER
 5413615-0-0
 TITLE
 H7140 MOTHER BOARD



THIS DRAWING AND SPECIFICATIONS, MINIMUM AND THE
 RIGHTS OF SPECIAL EQUIPMENT COVERED BY PATENT
 OR IN PART AS THE BASIS FOR THE MANUFACTURE OR SALE
 OF THIS PRODUCT WITHOUT PERMISSION.
 COPYRIGHT © 1980, METAL EQUIPMENT CORPORATION

REWORK INSTRUCTIONS

ECO # 1

ETCH CUT: SIDE 1
 1-1 FROM C3/NEG TO J6 P15, 16, 17 AND J4-P6

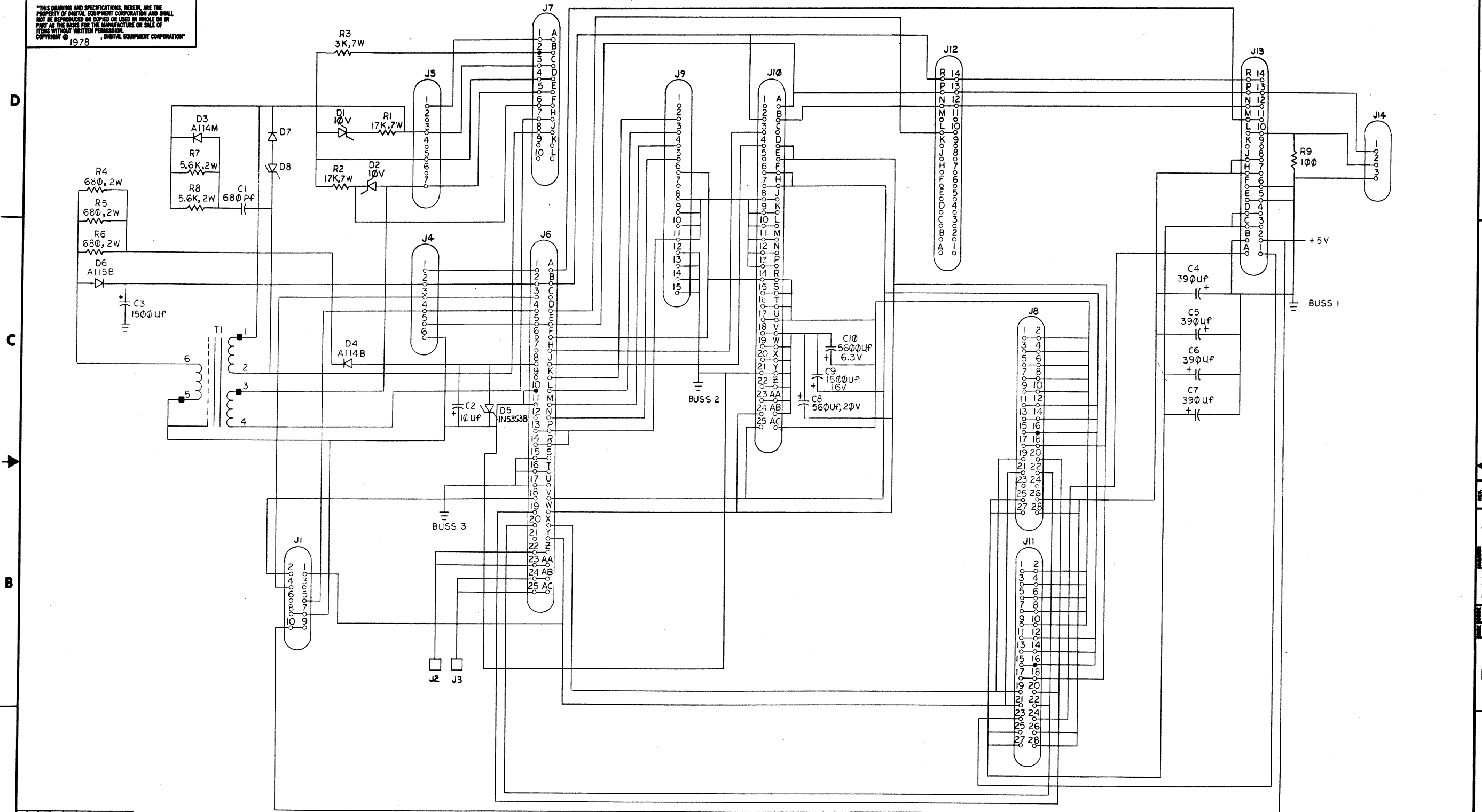
WIRE ADDS: SIDE 2
 1-2 FROM C3/NEG (TACK SOLDER TO ETCH) TO J6-P11
 1-3 FROM J6-P11 TO J6-P10
 1-4 FROM J6-P10 TO J9-P12

REVISIONS		
CHK	CHANGE NO.	REV.

TITLE	H7140 MOTHER BD	SIZE CODE	EUA	NUMBER	5413615-0-0	REV.	E
SCALE	NONE	SHEET	4	OF	4	DIST.	

5413615-0-0 LE

"THIS DRAWING AND SPECIFICATIONS, HEREIN, ARE THE PROPERTY OF DIGITAL EQUIPMENT CORPORATION AND SHALL NOT BE REPRODUCED OR COPIED OR USED IN WHOLE OR IN PART AS THE BASIS FOR THE MANUFACTURE OR SALE OF ITEMS WITHOUT WRITTEN PERMISSION. COPYRIGHT © 1978, DIGITAL EQUIPMENT CORPORATION"



REV.	DATE	BY	CHK'D
E			
D			
C			
B			
A			

REVISIONS

CHANGE NO. 15413615-TW001

DRN. *[Signature]*

CHK'D. *[Signature]*

ENG. *[Signature]*

PROJ. ENG. *[Signature]*

PROD. *[Signature]*

NEXT HIGHER ASSY.

DRN. <i>[Signature]</i>	1/22/78	FIRST USED ON	H7140
CHK'D. <i>[Signature]</i>	1/22/79	TITLE	H7140 MOTHER BOARD
ENG. <i>[Signature]</i>	2-6-78	SIZE	D
PROJ. ENG. <i>[Signature]</i>	3-6-78	CODE	CS 5413615-0-1
PROD. <i>[Signature]</i>	5-6-78	NUMBER	TW 1
NEXT HIGHER ASSY.		REV.	E
SCALE	+	SHEET	OF 1

LINE ITEM	DOCUMENT NUMBER	PART NUMBER	DESCRIPTION	QTY PER VARIATION 00	REFERENCE DESIGNATOR
1	D-MD-5013614-0-0	5013614-00	DRILL & ETCH BD	1	
2		1004813-00	10 MFD 20V 10% S.TANT	1	C2
3		1012607-00	560 MFD 20V H8 672D AL EL	1	C8
4		1012607-00	390 MFD 20V H8 67D AL EL	4	C4-C7
5		1013280-00	680.0 MMF1000V 50200PPM	1	C1
6		1014229-00	1500 MFD 16V +75-10% AL EL	2	C9,C3
7		1016169-00	5600 MFD 6.3V +75,-10% AL EL	1	C10
8		1110054-00	1N 5353B VZ= 16.0V 5% .40W M	1	D5
9		1100125-00	1N 750A VZ= 10.0 5% .40W PPE	2	D1,D2
10		1112594-01	A115B PIV=200 I= 3A	1	D6
11		1112595-01	A114B PIV=200 I= 1A	1	D4
12		1112595-02	A114M PIV=600 I= 1A	1	D3
13		1215341-01	HEADER 10POS VERTICAL	1	J1
14		1211004-00	SOCKET.100 20POS BOTTOM MOUNT	4	J12,J13,J11,J8
15		1211004-04	SOCKET.100 40POS	1	J7
16		1211004-05	SOCKET.100 50POS	2	J6,J10
17		1216122-01	HEADER.156 7POS KEYED	1	J5
18		1216122-02	HEADER.156 15POS KEYED	1	J9
19		1216122-04	HEADER.156 3POS	1	J14
20		1216122-05	HEADER.156 6POS	1	J4
21		1300229-00	100.0 .25 W 5.0 % CC	1	R9
22		1300340-00	500.0 2.0 W 5.0 % CC	3	R4-R6
23		1300456-00	5.60 K 2.0 W10.0 % CC	2	R7,R8
24		1316207-00	3.0 K 7W+,-5% WH	1	R3
25		1316209-00	17.0 K 7W+,-5% WH	2	R1,R2
26		1616215-00	XFMR P=240/360 S=5V	1	T1
27		7422391-00	SUPPORT,MOTHER BOARD	1	
28		9008219-00	TERM QUICK 1POS ADAPTER	2	J2,J3
29		9009000-00	EYELET, ROLLED FLANGE, .121 OD X	5	
30		9107688-55	WIRE(WRAP)24AWG UL1327 A/R		

REVISION HISTORY			BASIC PART NO: 5413615		
ENG	ECO NUMBER	REV	SECTION A OF A	IDRN: M.CICCONE	DATE: 27-MAR-79
---	INITIAL	D	SECTION,VARIATION INDEX	CHK'D: E.T.GERRY	DATE: 27-MAR-79
R.W	TW001	E	[A] 00	DES.ENG: R.WOLF	DATE: 27-MAR-79
			[B]	RESP.ENG.: R.WOLF	DATE: 27-MAR-79
			[C]		
			[D]		
			[E]		
			[F]		
			[H]		
			[J]		
			[K]	MFG.ENG.: P.WAITKUS	DATE: 6-AUG-79
			[L]		
			[M]	ASSEMBLY NUMBER:	TOP DOCUMENT NUMBER:
			[N]	ID-UA-5413615-0-0	FILE NAME: Z0376E.PLS
					EDIT #: 7

"THIS DRAWING AND SPECIFICATIONS HEREIN, ARE THE PROPERTY OF DIGITAL EQUIPMENT CORPORATION AND SHALL NOT BE REPRODUCED OR COPIED OR USED IN WHOLE OR IN PART AS THE BASIS FOR THE MANUFACTURE OR SALE OF ITEMS WITHOUT WRITTEN PERMISSION. COPYRIGHT (C) 1980, DIGITAL EQUIPMENT CORPORATION"

TAM

AUTOMATED BY PRTLST,3J(25)

P A R T S L I S T

SHEET A2 OF A2

LINE ITEM DOCUMENT NUMBER

PART NUMBER

DESCRIPTION

QTY PER VARIATION
00

REFERENCE DESIGNATOR

31 NOTE: FOR ITEM #32, 46" IS USED.

D	I	G	I	T	A	L	TITLE	MOTHER BOARD	SECTION A OF A	SIZE	CODE	DOCUMENT NUMBER	REV
										K	PL	5413615-0-DBP	E

TW

8

7

6

5

4

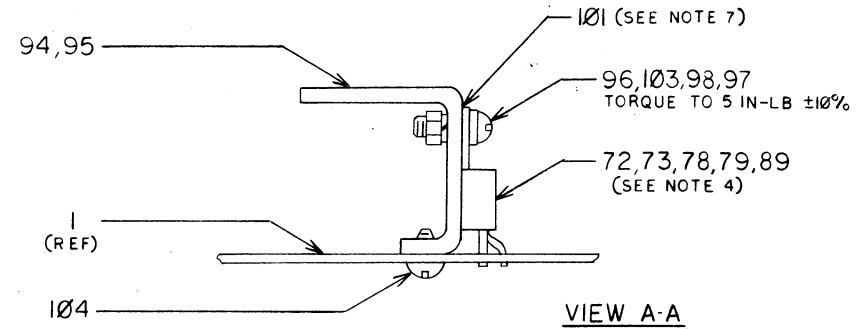
3

2

1

DJA 5413605-0-0 E

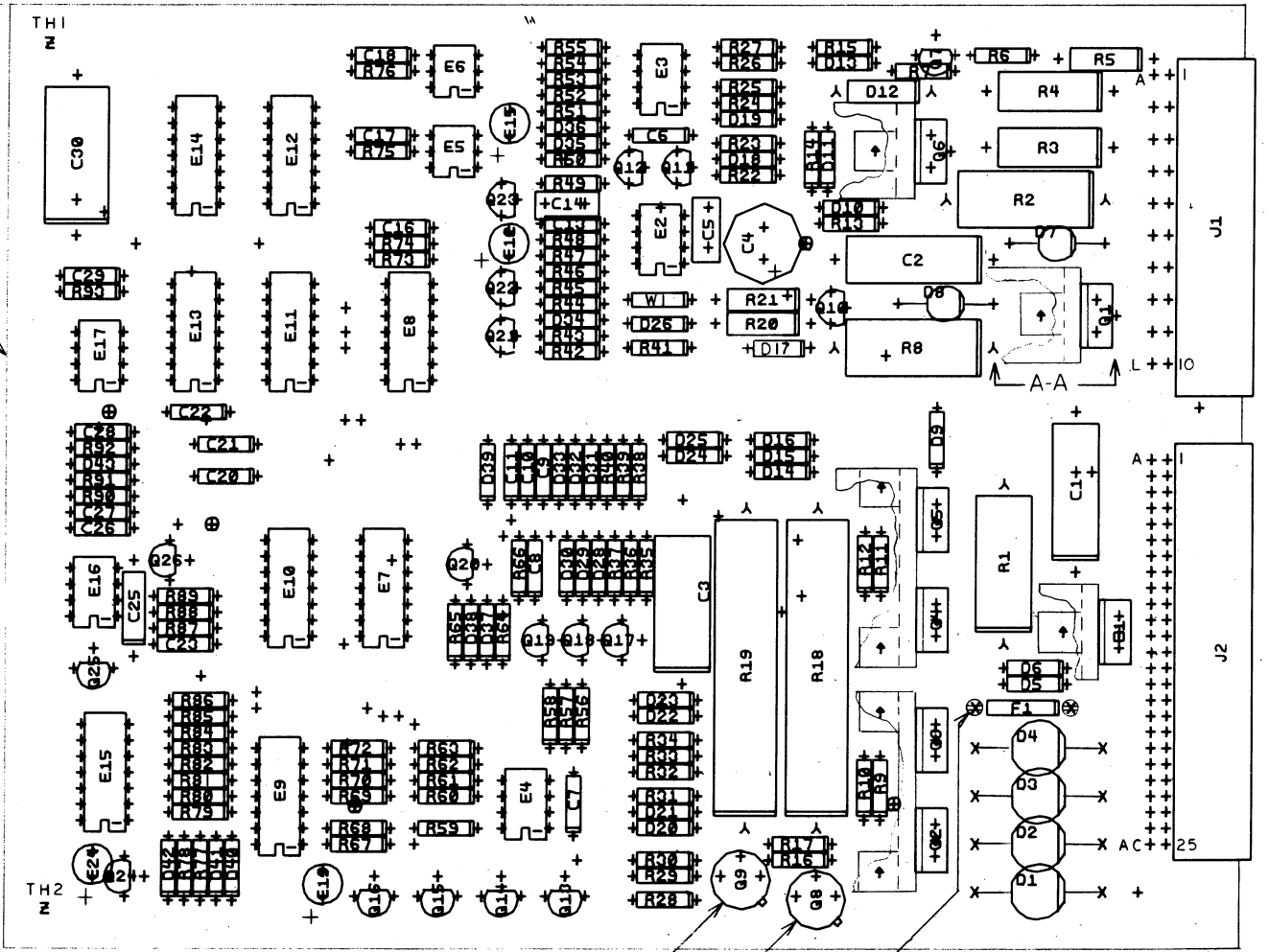
THE INFORMATION CONTAINED HEREIN IS UNCLASSIFIED
DATE 03-28-2001 BY 60322 UCBAW/SJS/STP
EXCEPT WHERE SHOWN OTHERWISE
© 1980



VIEW A-A

7.78 F.B.S.
197.49MM

5.90 F.B.S.
149.86MM



100 (SEE NOTE 6)

99 (SEE NOTE 5)

NOTES:

1. STEP AND REPEAT CODE 2ML 39
2. R18, R19 MUST BE RAISED .125" TO .150"
3. D1 - D4, R1, R2, R8 MUST BE RAISED .05" TO .10"
4. E1 AND Q1-Q6, MUST BE MOUNTED TO HEAT SINK BEFORE BEING ATTACHED TO PCB.
5. SEE VIEW A-A.
6. EYELET ITEM NO. 99, USED IN MOUNTING HOLES OF F1.
7. USE TRANSIPADS, ITEM NO. 100, UNDER Q8, Q9.
8. USE THERMAL COMPOUND, ITEM NO. 101, BETWEEN E1, Q1-Q6, AND HEAT SINK'S.

STEP	Y	FIXES	STEP	TIMES
REPEAT	X	FIXES	STEP	TIMES

CHANGE NO	REV	DATE	BY	CHK'D
1	1	10-17-80	R. WOLF	

ETCH REV.	CPI
-----------	-----

SIGNATURES		DATE	digital
DRN. J. Hunt		1-4-80	
CHK'D. Frank Sample		1-17-80	TITLE BIAS AND INTERFACE BOARD
MECH. ENG. Bob Hill	RWA	10-5-80	
PROJ. ENG. Bob Hill	RWA	10-9-80	
PROD. Bob Hill	RWA	10-9-80	
SCALE			SIZE CODE NUMBER REV
SHT. 1 OF 1			D UA 5413605-0-0 E
NEXT HIGHER ASSY. B-DD-5413605-0			

8

7

5

4

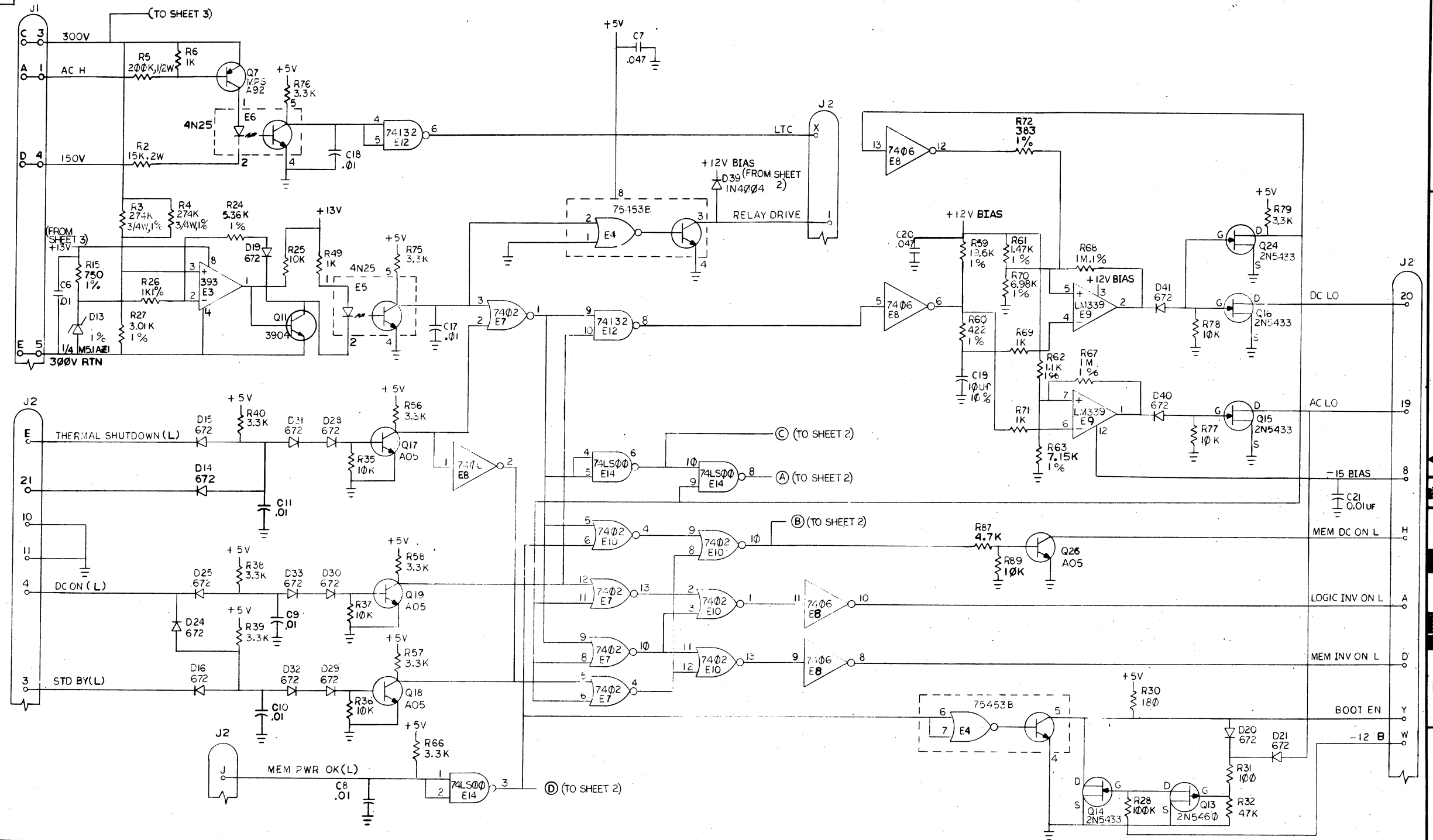
3

2

TW 1 MS#171997

DJA 5413605-0-0 E

"THIS DRAWING AND SPECIFICATIONS HEREIN ARE THE PROPERTY OF DIGITAL EQUIPMENT CORPORATION AND SHALL NOT BE REPRODUCED OR COPIED OR USED IN WHOLE OR IN PART AS THE BASIS FOR THE MANUFACTURE OR SALE OF ITEMS WITHOUT WRITTEN PERMISSION.
 COPYRIGHT © 1976 DIGITAL EQUIPMENT CORPORATION"

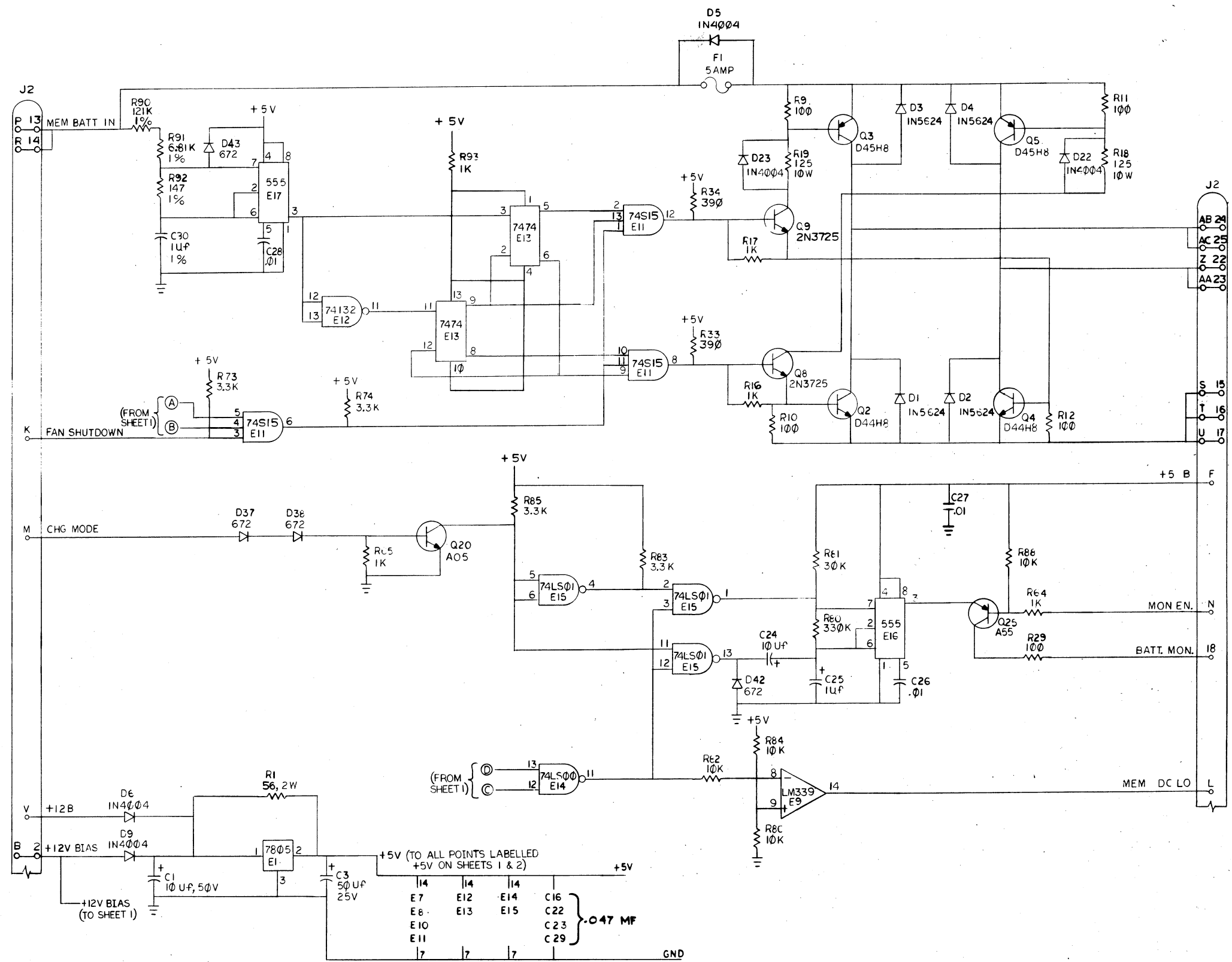


REV.	DATE	BY	CHK'D
1	5/1/77	R. NICKERSON	R. NICKERSON
2	7/1/77	R. NICKERSON	R. NICKERSON
3	7/1/77	R. NICKERSON	R. NICKERSON
4	7/1/77	R. NICKERSON	R. NICKERSON
5	7/1/77	R. NICKERSON	R. NICKERSON
6	7/1/77	R. NICKERSON	R. NICKERSON
7	7/1/77	R. NICKERSON	R. NICKERSON
8	7/1/77	R. NICKERSON	R. NICKERSON

DRN. 10/1/77	FIRST USED ON	40-00-00
CHK'D 10/1/77	TITLE	BIAS AND INTERFACE BOARD
ENG. 10/1/77	SCALE	1 OF 3
PROJ. ENG. 10/1/77	SHEET	1 OF 3
PROD. F. 10/1/77	SIZE	D
NEXT HIGHER ASSY.	CODE	CS 5413605-0-1
	NUMBER	E
	REV.	1

DCS 5413605-0-1 E

THIS DRAWING AND SPECIFICATIONS HEREIN ARE THE PROPERTY OF DIGITAL EQUIPMENT CORPORATION AND SHALL NOT BE REPRODUCED OR COPIED OR USED IN WHOLE OR IN PART AS THE BASIS FOR THE MANUFACTURE OR SALE OF ITEMS WITHOUT WRITTEN PERMISSION. COPYRIGHT © 1978



(TO ALL POINTS LABELLED +5V ON SHEETS 1 & 2)

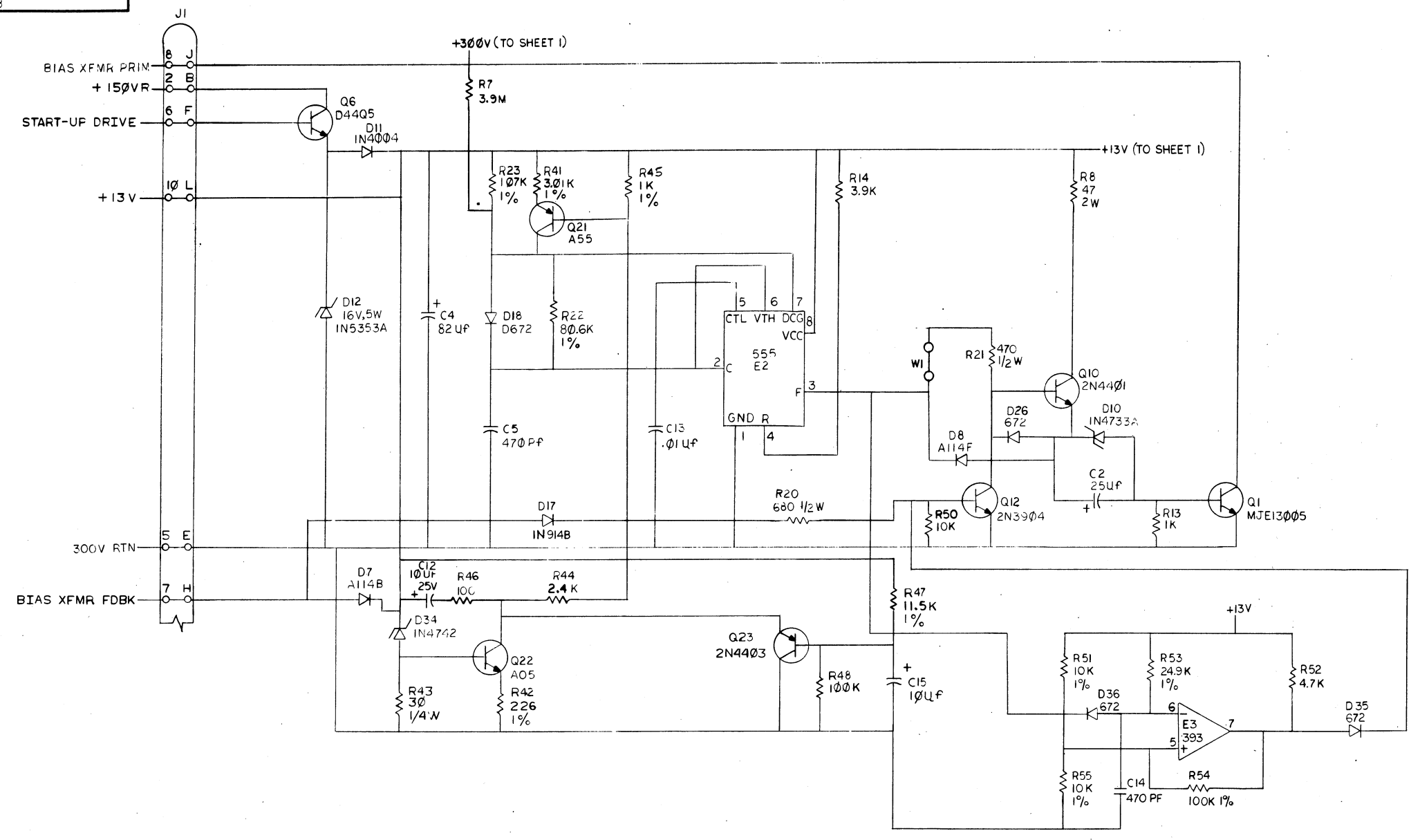
E7	E12	E14	C16
E8	E13	E15	C22
E10			C23
E11			C29

0.047 MF

REVISIONS		
CHK	CHANGE NO.	REV.

TITLE	BIAS AND INTERFACE BOARD	NUMBER	DCS 5413605-0-1	REV.	E
SCALE		SHEET	2	OF	3
DIST.					

"THIS DRAWING AND SPECIFICATIONS, HEREIN, ARE THE PROPERTY OF DIGITAL EQUIPMENT CORPORATION AND SHALL NOT BE REPRODUCED OR COPIED OR USED IN WHOLE OR IN PART AS THE BASIS FOR THE MANUFACTURE OR SALE OF ITEMS WITHOUT WRITTEN PERMISSION. DIGITAL EQUIPMENT CORPORATION. COPYRIGHT © 1978"



REVISIONS		
CHK	CHANGE NO.	REV.

TITLE	BIAS AND INTERFACE BOARD	SIZE/COOD	D	NUMBER	CS 5413605-0-1	REV.	E
SCALE	1:1	SHEET	3	OF	3	DIST.	

LINE	ITEM	DOCUMENT NUMBER	PART NUMBER	DESCRIPTION	QTY	PER VARIATION	REFERENCE DESIGNATOR
					00		
1	1	D-MD-5013604-0-0	5013604-00	DRILL & ETCH BD	1		
2	2		1000024-00	470.0 MMF 100V 5%200PPM MICA	2		C5,C14
3	3		1000070-00	10 MFD 50V+100-10% AL EL	1		C1
4	4		1000075-00	25 MFD 25V +75-10% AL EL	1		C2
5	5		1001610-00	.01 MFD 50V +80-20% 25U CER	12		C6,C8-C11,C13,C17,C18,C21, CONT C26-C28
6	6		1001776-00	1 MFD 35V 10% S.TANT	1		C25
7	7		1001796-00	50 MFD 25V +75-10% AL EL	1		C3
8	8		1010866-02	10 MFD 25V +50-20% S.TANT	4		C12,C15,C19,C24
9	9		1012784-00	.047 MFD 50V +80-20% CER	6		C7,C16,C20,C22,C23,C29
10	10		1013252-00	82 MFD 50V+100-10% AL EL	1		C4
11	11		1016138-00	1 MFD 50V 1% M.POLYCARB	1		C30
12	12		1105275-00	D 672 TR= 15NS PIV= 60V SI	24		D14-D16,D18-D21,D24-D26,D28-D33, CONT D35-D38,D40-D43
13	13		1105796-00	1N 4004 PIV=400 I= 1A D041 SP	7		D5,D6,D9,D11,D22,D23,D39
14	14		1105871-00	1/4MS.1AZ1 = 5.1 1% .25W N	1		D13
15	15		1109502-00	1N 4742 VZ= 12.0 10% 1W Y	1		D34
16	16		1109517-00	1N 914B TR= 4NS PIV= 75V SY	1		D17
17	17		1109943-00	1N 4733A VZ= 5.1 5% 1W Y	1		D10
18	18		1110420-00	1N 5624 PIV=200 I= 5A	4		D1-D4
19	19		1110854-00	1N 5353B VZ= 16.0V 5% .40W M	1		D12
20	20		1112595-00	A114F PIV= 50 I= 1A	1		D8
21	21		1112595-01	A114B PIV=200 I= 1A	1		D7
22	22		1205747-00	FUSE, SUB-MINI, 5.000A, 125V, A	1		F1
23	23		1216112-02	HEADER,100 40POS RT ANGLE	1		J1
24	24		1216112-03	HEADER,100 50POS RT ANGLE	1		J2
25	25		1300229-00	100.0 .25 W 5.0 % CC	7		R9-R12,R29,R31,R46
26	26		1300309-00	390.0 .25 W 5.0 % CC	2		R33,R34
27	27		1300315-00	470.0 .50 W 5.0 % CC	1		R21
28	28		1300347-00	680.0 .50 W 5.0 % CC	1		R20

REVISION HISTORY			BASIC PART NO: 5413605			DRN: J.FERGUSON			DATE: 16-OCT-80			DIGITAL		
ENG	ECO NUMBER	REV	SECTION A OF A			CHK'D:	F.GAROFALO	DATE:	16-OCT-80	TITLE	PARTS LIST			
---	INITIAL	E	SECTION VARIATION INDEX			CHK'D:	F.GAROFALO	DATE:	16-OCT-80	BIAS AND INTERFACE BD				
			[A]	00										
			[B]											
			[C]			DES.ENG:	R.WOLF	DATE:	16-OCT-80					
			[D]											
			[E]							DOCUMENT NUMBER				
			[F]			RESP.ENG.:	R.WOLF	DATE:	16-OCT-80	SIZE	CODE	NUMBER	REV	
			[H]											
			[J]			MFG.ENG.:	J.COMELLA	DATE:	16-OCT-80	K	PL	5413605-0-DBP	E	
			[K]											
			[L]											
			[M]			ASSEMBLY NUMBER:	D-UA-5413605-0-0	TOP DOCUMENT NUMBER:	B-DD-5413605-0-0	FILE NAME:	Z0402.PLS	EDIT #:	11	
			[N]											

"THIS DRAWING AND SPECIFICATIONS HEREIN, ARE THE PROPERTY OF DIGITAL EQUIPMENT CORPORATION AND SHALL NOT BE REPRODUCED OR COPIED OR USED IN WHOLE OR IN PART AS THE BASIS FOR THE MANUFACTURE OR SALE OF ITEMS WITHOUT WRITTEN PERMISSION. COPYRIGHT (C) 1980. DIGITAL EQUIPMENT CORPORATION"

TW

LINE ITEM	DOCUMENT NUMBER	PART NUMBER	DESCRIPTION	QTY	PER VARIATION	REFERENCE DESIGNATOR
				00		
29	29	1300365-00	1.0 K .25 W 5.0 % CC	10		R6,R13,R16,R17,R49,R64,R65,R69, CONT R71,R93
30	30	1300439-00	3.30 K .25 W 5.0 % CC	14		R38-R40,R56-R58,R66,R73-R76,R79, CONT R83,R85
31	31	1300444-00	3.90 K .25 W 5.0 % CC	1		R14
32	32	1300447-00	4.70 K .25 W 5.0 % CC	2		R52,R87
33	33	1300479-00	10.0 K .25 W 5.0 % CC	12		R25,R35-R37,R50,R77,R78,R82,R84, CONT R86,R88,R89
34	34	1301322-00	180.0 .25 W 5.0 % CC	1		R30
35	35	1302091-00	330.0 K .25 W 5.0 % CC	1		R80
36	36	1302177-00	47.0 K .25 W 5.0 % CC	1		R32
37	37	1302334-00	15.0 K 2.0 W 5.0 % CC	1		R2
38	38	1302394-00	30.0 K .25 W 5.0 % CC	1		R81
39	39	1302466-00	100.0 K .25 W 5.0 % CC	2		R28,R48
40	40	1302479-00	200.0 K .50 W 5.0 % CC	1		R5
41	41	1302644-00	226.0 .25 W 1.0 % RN55D-F10	1		R42
42	42	1302645-00	1.10 K .25 W 1.0 % RN55D-F10	1		R62
43	43	1302748-00	1.0 K .25 W 1.0 % RN55C-F 5	2		R26,R45
44	44	1302751-00	30.0 .25 W 5.0 % CC	1		R43
45	45	1302836-00	56.0 2.0 W 5.0 % CC	1		R1
46	46	1302860-00	11.50 K .25 W 1.0 % RN55D-F10	1		R47
47	47	1302874-00	147.0 .25 W 1.0 % RN55D-F10	1		R92
48	48	1302955-00	750.0 .25 W 1.0 % RN55D-F10	1		R15
49	49	1303067-00	422.0 .25 W 1.0 % RN55D-F10	1		R60
50	50	1303177-00	2.40 K .25 W 5.0 % CC	1		R44
51	51	1303305-00	6.98 K .25 W 1.0 % RN55D-F10	1		R70
52	52	1303322-00	274.0 K .75 W 1.0 % RN65D-F10	2		R3,R4
53	53	1303438-00	121.0 K .25 W 1.0 % RN55D-F10	1		R90
54	54	1304870-00	6.81 K .25 W 1.0 % RN55D-F10	1		R91
55	55	1305108-00	1.47 K .25 W 1.0 % RN55D-F10	1		R61
56	56	1305125-00	383.0 .25 W 1.0 % RN55D-F10	1		R72
57	57	1305253-00	7.15 K .25 W 1.0 % RN55D-F10	1		R63
58	58	1305357-00	125.0 10.0 W 5.0 % WW	2		R18,R19
59	59	1309419-00	19.60 K .25 W 1.0 % RN55D-F10	1		R59
60	60	1305405-00	24.90 K .25 W 1.0 % RN55D-F10	1		R53
61	61	1313341-00	5.36 K .25 W 1.0 % RN55D-F10	1		R24
62	62	1313775-00	80.60 K .25 W 1.0 % RN55D-F10	1		R22
63	63	1313843-00	107.0 K .25 W 1.0 % RN55D-F10	1		R23
64	64	1314023-00	47.0 2.0 W 5.0 % CC	1		R8
65	65	1314041-00	3.01 K .25 W 1.0 % RN55D-F10	2		R27,R41
66	66	1314121-00	1.0 M .25 W 1.0 % RN55D-F10	2		R67,R68
67	67	1314387-00	3.90 M .25 W 5.0 % CC	1		R7
68	68	1509524-00	2N 3904 NPN 310MW SI 40 40 M	2		Q11,Q12
69	69	1510233-00	2N 5460 FET 310MW SIP CHNNL	1		Q13
70	70	1510705-00	XA 05 NPN 500MW SI 60 50 P	6		Q17-Q20,Q22,Q26
71	71	1510706-00	XA 55 PNP 500MW SI 60 50 P	2		Q21,Q25
72	72	1510707-00	D 44H8 NPN 25W SI 60@2A	2		Q2,Q4
73	73	1510708-00	D 45H8 PNP 50WT SI 60 60 Y	2		Q3,Q5

! D ! I ! G ! I ! T ! A ! L !	! TITLE	! SECTION A OF A	! SIZE ! CODE !	! DOCUMENT NUMBER	! REV !
! ! ! ! ! ! ! !	BIAS AND INTERFACE BD	! ! ! ! ! ! ! !	! K ! PL !	5413605-0-DBP	! E !

TW

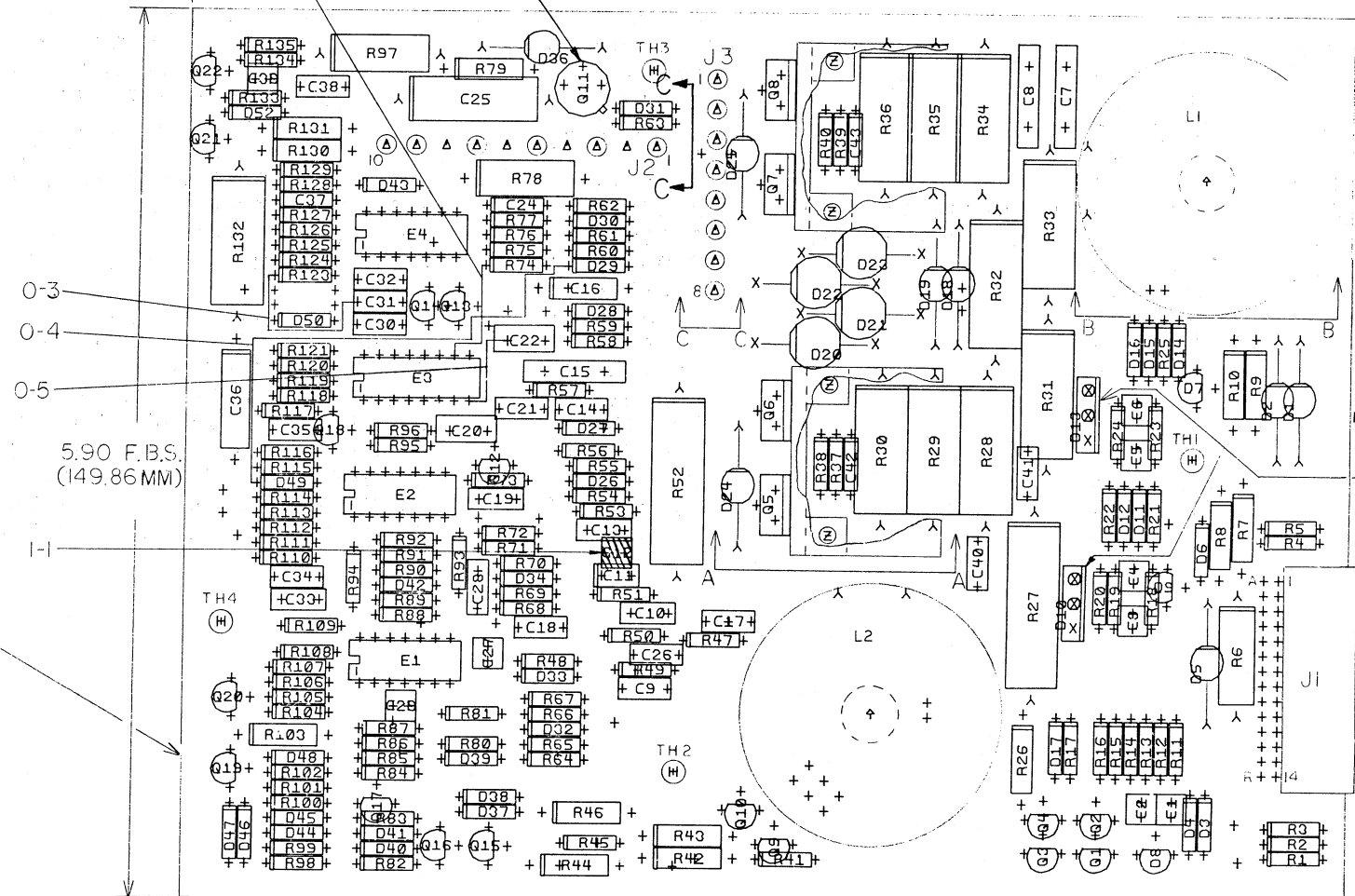
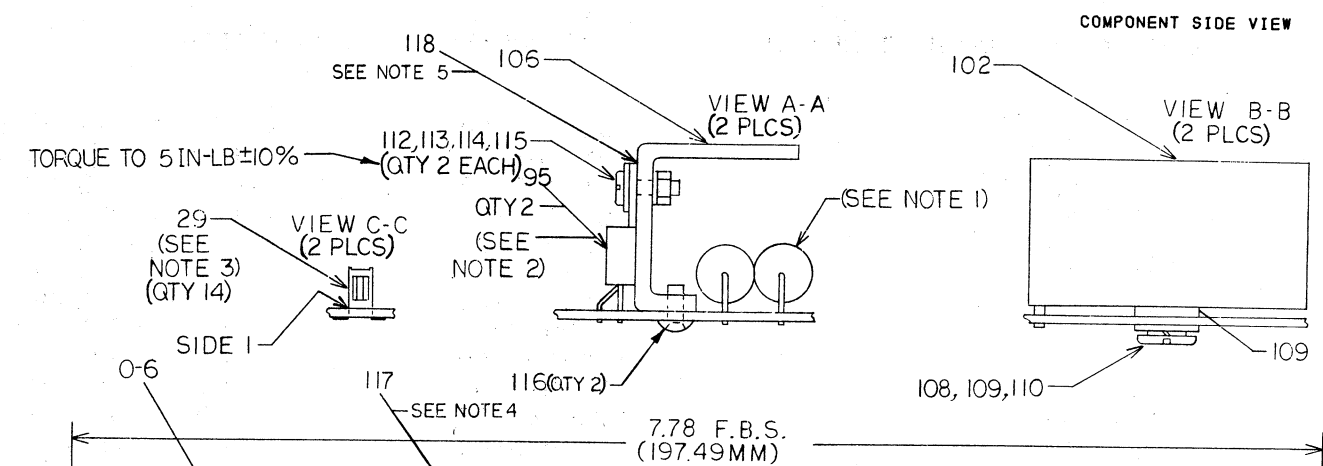
LINE ITEM	DOCUMENT NUMBER	PART NUMBER	DESCRIPTION	QTY PER VARIATION 00	REFERENCE DESIGNATOR
74	74	1510959-00	2N 3725 NPN 3.5WC SI 50 60 P	2	Q8,Q9
75	75	1511686-00	DECS433 FET N 350MW 10 25 1A	4	Q14-Q16,Q24
76	76	1513489-00	2N 4401 NPN 350MW SI 40 20	1	Q10
77	77	1513490-00	2N 4403 PNP 350MW SI-40 30	1	Q23
78	78	1514271-01	D 44Q5 NPN 31W SI225 30	1	Q6
79	79	1516119-00	NPN 600MW SI400 40	1	Q1
80	80	1516121-00	MPS A92 PNP 625MW SI300 25	1	Q7
81	81	1905547-00	7474 FF-D DUAL,EDGE TRIGG	1	E13
82	82	1909004-00	DEC 7402 NOR GATE-QUAD 2IN	2	E7,E10
83	83	1910538-00	74S15 AND GATE-TRIPLE 3IN	1	E11
84	84	1910741-00	7406 INVERTER GATE-HEX 1I	1	E8
85	85	1911036-00	75453 DRIVER,PERIPH,DUAL,	1	E4
86	86	1911637-00	74132 NAND GATE-QUAD 2 IN	1	E12
87	87	1911944-00	555CN TIMER,FUNCT.BLOCK	3	E2,E16,E17
88	88	1912108-00	339 VOLT CMPRTR,QUAD	1	E9
89	89	1912536-01	7805 VOLT REG,FIX +5V	1	E1
90	90	1912799-00	LS00 NAND-GATE-QUAD 2IN,P	1	E14
91	91	1912800-00	LS01 NAND-GATE-QUAD 2IN,P	1	E15
92	92	1914156-00	LM 393 VOLT.COMPARATOR DUAL	1	E3
93	93	1914194-00	OPTP-COUPLED ISOLATOR	2	E5,E6
94	94	C-MD-7422046-0-0	7422046-00 HEAT SINK,SINGLE	3	
95	95	B-MD-7422047-0-0	7422047-00 HEAT SINK,DOUBLE	2	
96	96	9006011-01	SCREW,PAN,PHIL 4-40X 3/8 SS	7	
97	97	9006556-00	NUT,HEX , 4-40X1/4 AF X 3/	7	
98	98	9006688-00	WASHER, LOCK, S.S. #4	7	
99	99	9006735-00	EYELET, FUNNEL FLANGE, .059 OD X	2	
100	100	9007201-00	TRANSIPADS #10253	2	
101	101	9008268-00	COMPOUND, THERMAL JOINT	A/R	
102	102	9009185-00	JUMPER, WIRE, INSULATED, BLACK B	1	W1
103	103	9009769-00	WASHER, RECTANGULAR .405X.225X.0	7	
104	104	9010128-00	SCREW,TAPPING,TYPE PAN,PHIL,	7	
105	105	1303312-00	10.0 K .25 W 1.0 % RN55D-F10	2	R51,R55
106	106	1303044-00	100.0 K .25 W 1.0 % RN55D-F10	1	R54

! ! ! ! ! ! ! !	TITLE	! ! ! ! ! ! ! !	! ! ! ! ! ! ! !	! ! ! ! ! ! ! !
! D ! I ! G ! I ! T ! A ! L !	BIAS AND INTERFACE BD	! SECTION A OF A !	! ! ! ! ! ! ! !	! ! ! ! ! ! ! !
! ! ! ! ! ! ! !		! ! ! ! ! ! ! !	! K ! PL ! 5413605-0-DBP !	! E !

TW

THIS DRAWING AND SPECIFICATIONS, HEREIN, ARE THE PROPERTY OF DIGITAL EQUIPMENT CORPORATION AND SHALL NOT BE REPRODUCED OR COPIED OR USED IN WHOLE OR IN PART AS THE BASIS FOR THE MANUFACTURE OR SALE OF ITEMS WITHOUT WRITTEN PERMISSION. DIGITAL EQUIPMENT CORPORATION. COPYRIGHT © 1975

DUA 5413601-0-0



- NOTES:**
- D20-23, R27-36, R52, 78, 97 AND R132, TO BE RAISED .05 TO .10" OFF PCB. (SEE VIEW A-A)
 - Q5-8 MUST BE MOUNTED TO HEAT SINK, BEFORE BEING ATTACHED TO PCB. (SEE VIEW A-A)
 - ITEM 29 TO BE INSERTED IN J3 PINS 1-8 AND J2 PINS 1,3,5,7,9,10. PINS 2,4,6,8, ARE EMPTY. (SEE VIEW C-C)
 - USE TRANSPAD (ITEM 117) UNDER Q 11.

CHANGE NO	REV	DATE	BY	CHK'D
1	1	3-5-75	R. WOLF	E. T. GERRY

- NOTES:**
- USE THERMAL COMPOUND (ITEM 118) BETWEEN HEAT SINK AND Q5, 6, 7, 8.

ETCH REV.	C
P.C. DESIGN DATA BASE REV.	CL

SIGNATURES	DATE
DRN. E. T. GERRY	3-5-75
CHK'D. E. T. GERRY	3-27-75
ENG. J. J. ...	7-20-75
PROJ. ENG. ...	7-20-75
PROD. F. ...	7-15-75

digital	
TITLE LOGIC INVERTER CONTROL BOARD	
SCALE 2/1	SIZE CODE NUMBER REV
SHT. 1 OF 4	DUA 5413601-0-0 C
NEXT HIGHER ASSY. B-DD-5413601-0	

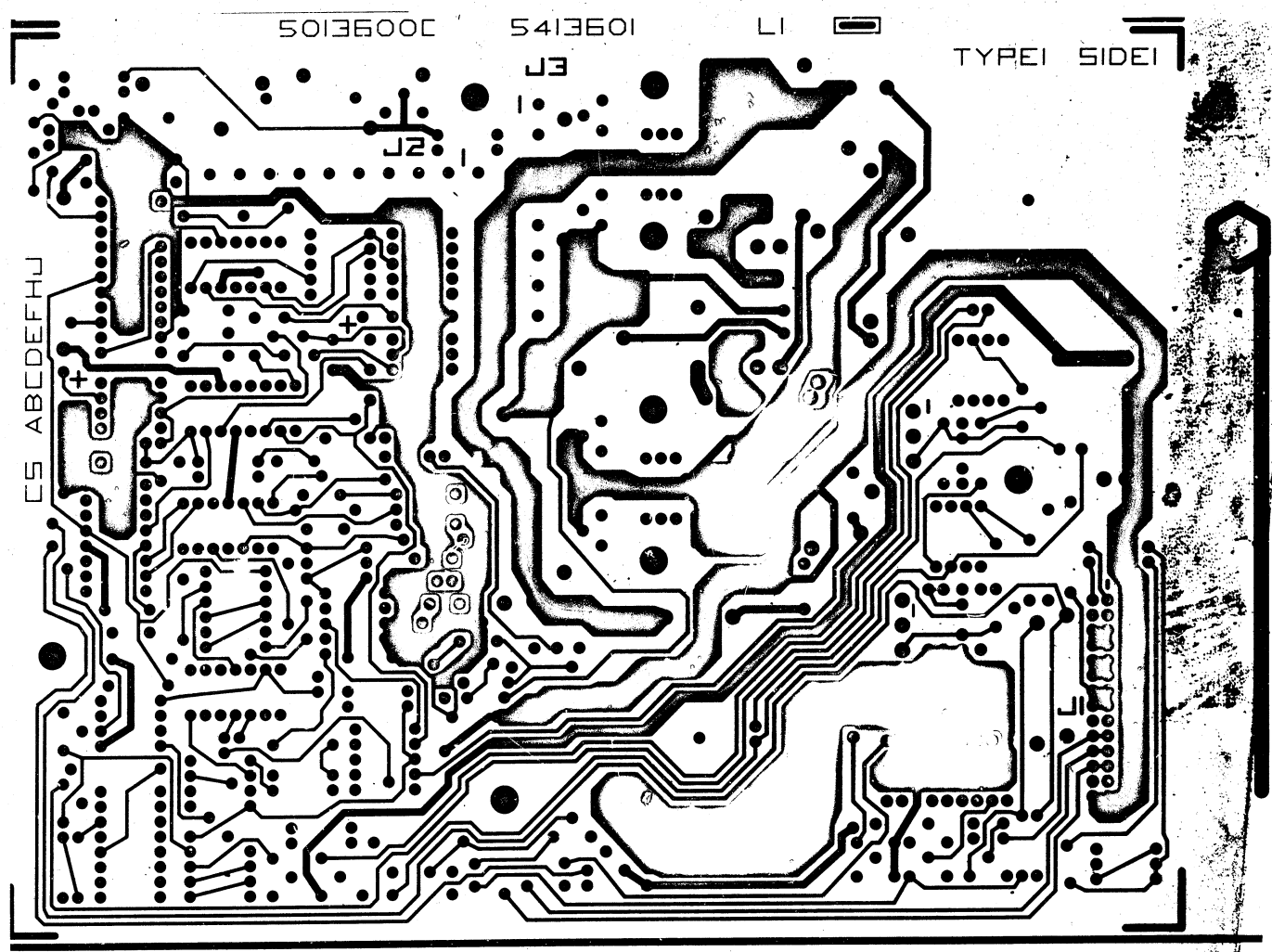
8 7 6 5 4 3 2 1

THIS DRAWING AND SPECIFICATIONS HEREIN ARE THE PROPERTY OF DIGITAL EQUIPMENT CORPORATION AND SHALL NOT BE REPRODUCED OR COPIED OR USED IN WHOLE OR IN PART AS THE BASIS FOR THE MANUFACTURE OR SALE OF ITEMS WITHOUT WRITTEN PERMISSION OF DIGITAL EQUIPMENT CORPORATION.

0-0-10992195
DUA 5413601-0-0
2

D
C
B
A

D
C
B
A



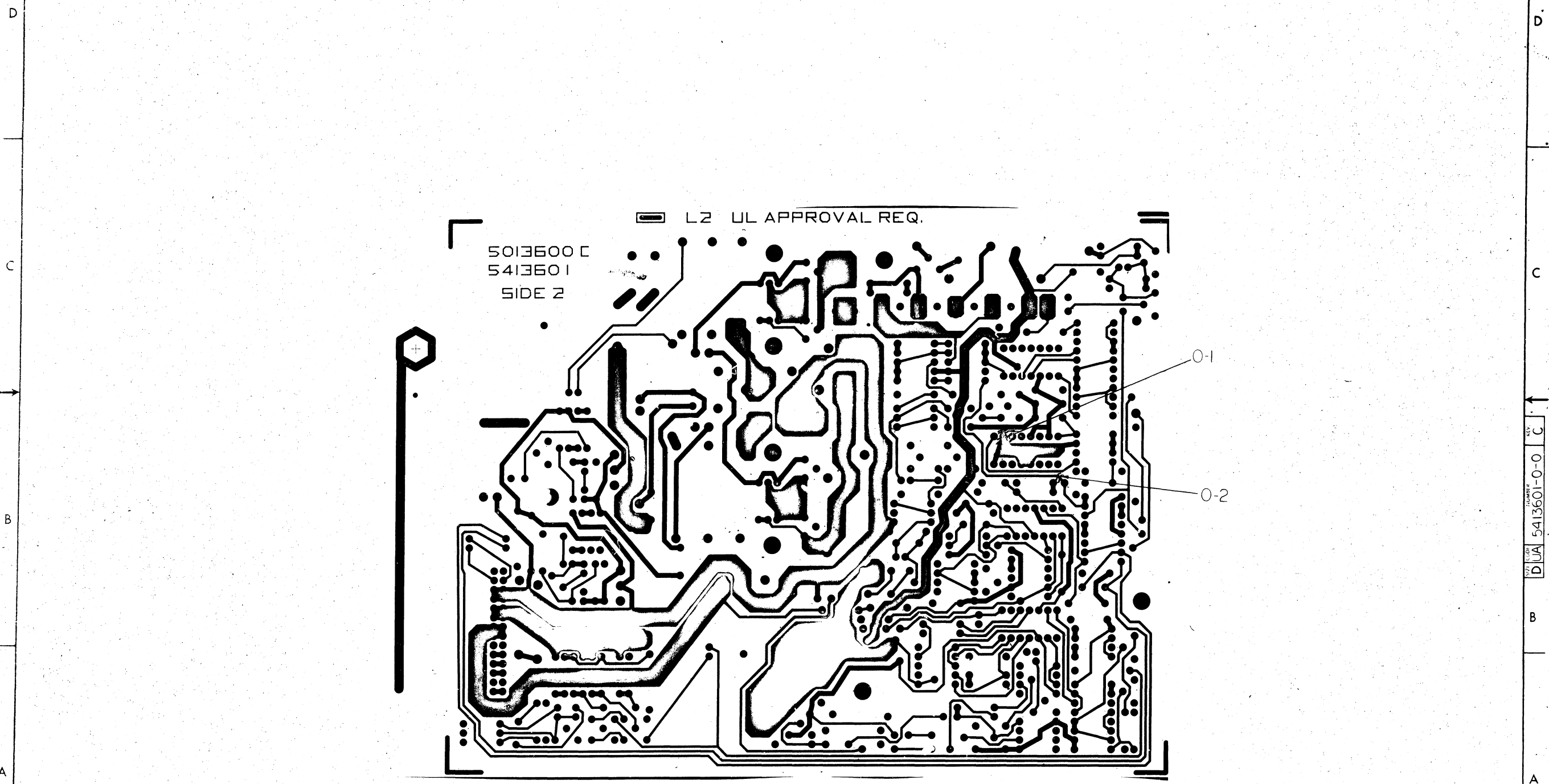
DUA 5413601-0-0
C

REVISIONS		
CHK	CHANGE NO.	REV.

TITLE	LOGIC INVERTER CONTROL BOARD	SIZE CODE	DUA	NUMBER	5413601-0-0	REV.	C
SCALE	2/1	SHEET	2	OF	4	DIST	

8 7 6 5 4 3 2 1

THIS DRAWING AND SPECIFICATIONS HEREIN ARE THE PROPERTY OF DIGITAL EQUIPMENT CORPORATION AND SHALL NOT BE REPRODUCED OR COPIED OR USED IN WHOLE OR IN PART AS THE BASIS FOR THE MANUFACTURE OR SALE OF ITEMS WITHOUT WRITTEN PERMISSION. COPYRIGHT © 1979 DIGITAL EQUIPMENT CORPORATION



5013600 C
5413601
SIDE 2

L2 UL APPROVAL REQ.

0-1

0-2

REVISIONS		
CHK	CHANGE NO	REV

THIS DRAWING AND SPECIFICATIONS HEREIN ARE THE PROPERTY OF DIGITAL EQUIPMENT CORPORATION AND SHALL NOT BE REPRODUCED OR COPIED OR USED IN WHOLE OR IN PART AS THE BASIS FOR THE MANUFACTURE OR SALE OF ITEMS WITHOUT WRITTEN PERMISSION.
 COPYRIGHT © 1979 DIGITAL EQUIPMENT CORPORATION

REWORK INSTRUCTIONS:

ETCH CUTS SIDE 2

- 0-1 CUT ETCH ON BOTH SIDES OF E3-10 (2 CUTS)
- 0-2 FROM R74 TO Q18/BASE (CUT NEAR BASE)

WIRE ADD SIDE 1

- 0-3 FROM R123 TO C31
- 0-4 FROM D49/CATHODE TO D29/CATHODE
- 0-5 FROM E3-B TO C22
- 0-6 FROM E3-10 TO R74.

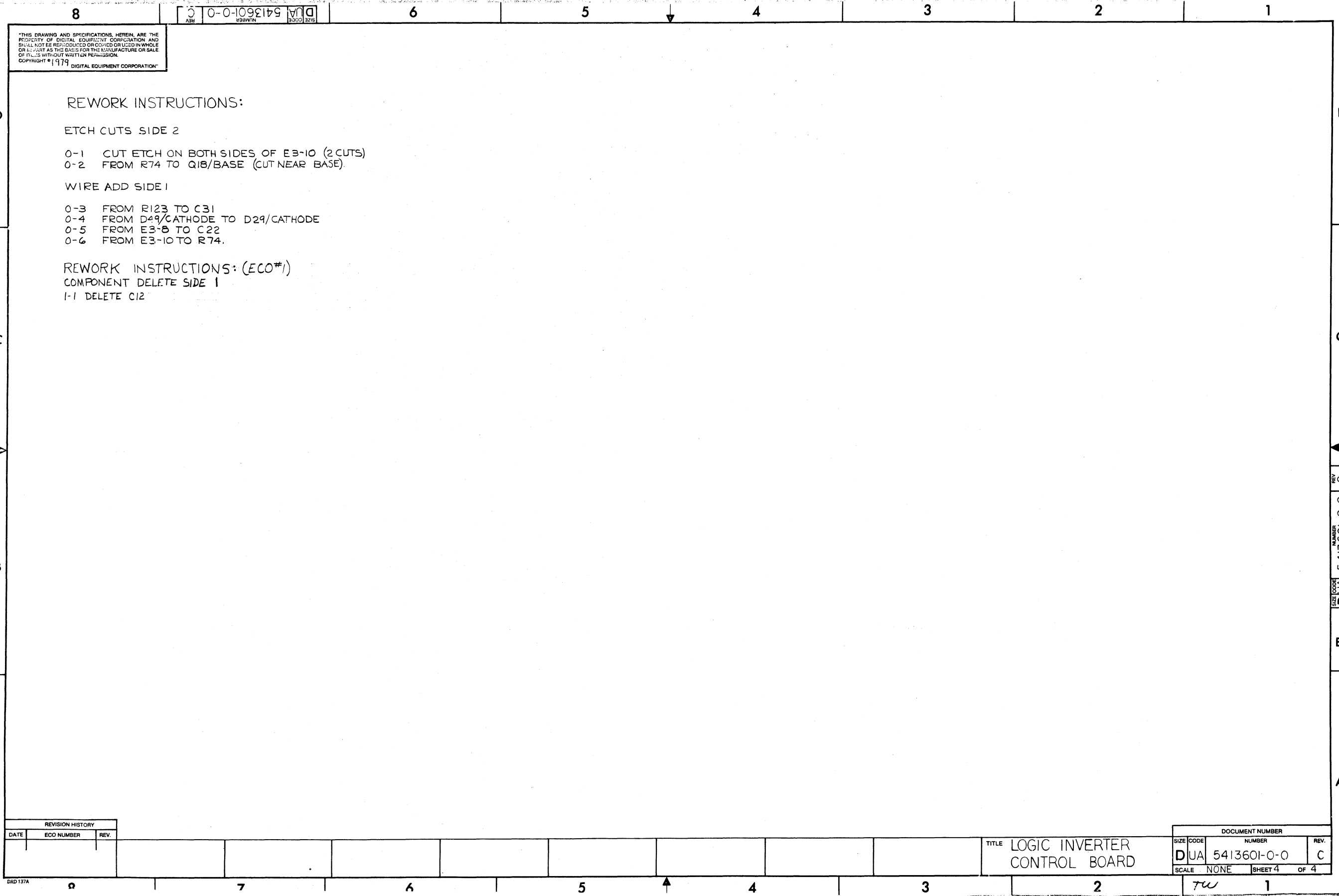
REWORK INSTRUCTIONS: (ECO#1)

- COMPONENT DELETE SIDE 1
- 1-1 DELETE C12

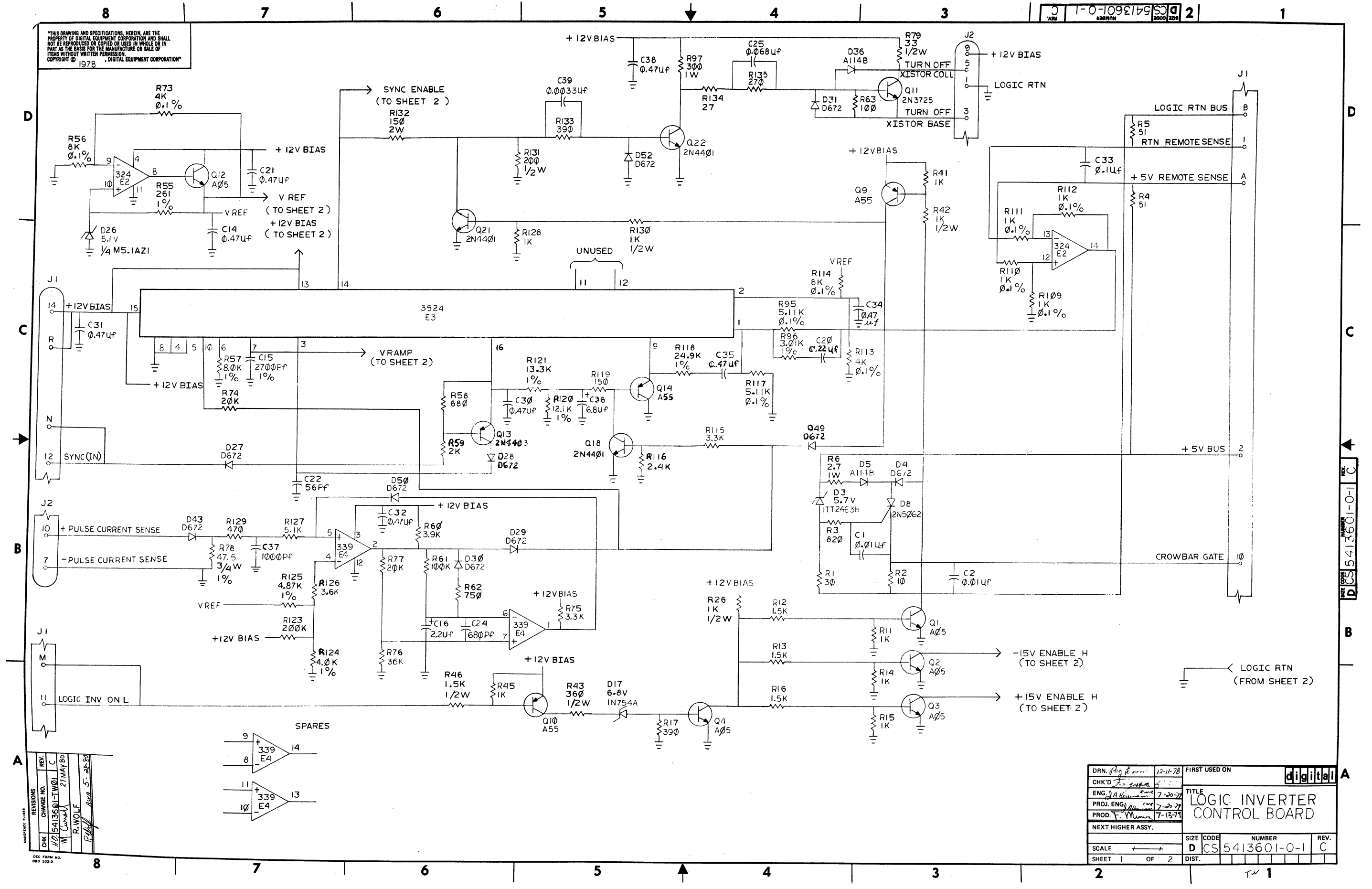
REVISION HISTORY		
DATE	ECO NUMBER	REV.

TITLE LOGIC INVERTER CONTROL BOARD

DOCUMENT NUMBER		
SIZE CODE	NUMBER	REV.
DUA	5413601-0-0	C
SCALE	NONE	SHEET 4 OF 4



"THIS DRAWING AND SPECIFICATIONS, HEREIN, ARE THE PROPERTY OF DIGITAL EQUIPMENT CORPORATION AND SHALL NOT BE REPRODUCED OR COPIED OR USED IN WHOLE OR IN PART AS THE BASIS FOR THE MANUFACTURE OR SALE OF ITEMS WITHOUT WRITTEN PERMISSION. COPYRIGHT © 1978, DIGITAL EQUIPMENT CORPORATION"



REV.	CHG.	DATE	BY	REASON
1				
2				
3				
4				
5				
6				
7				
8				

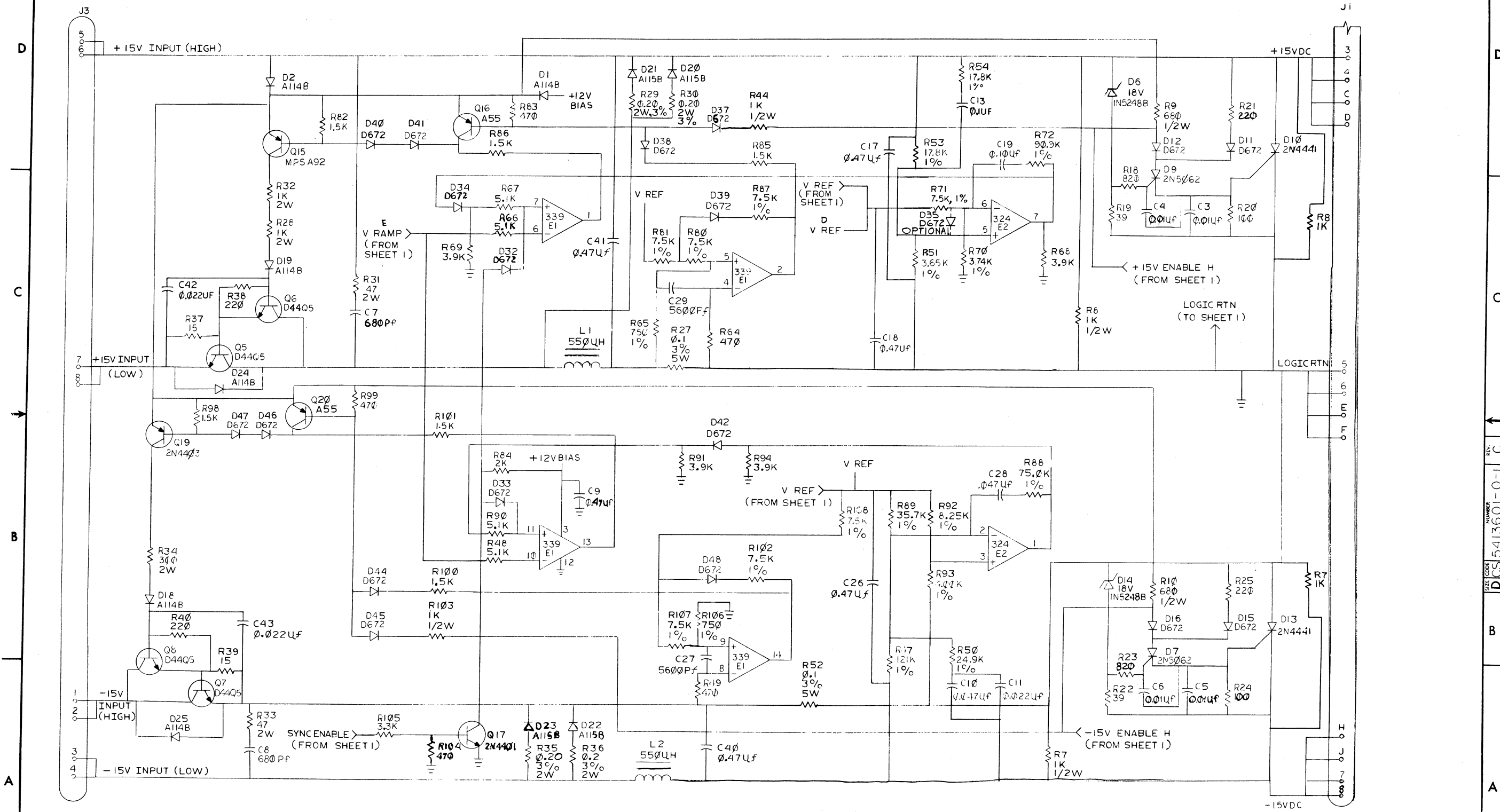
DRN. <i>[Signature]</i>	12-11-78	FIRST USED ON	
CHK'D <i>[Signature]</i>			
ENG. <i>[Signature]</i>	7-20-77		
PROJ. ENG. <i>[Signature]</i>	7-20-77		
PROD. <i>[Signature]</i>	7-13-77		
NEXT HIGHER ASSY.			
SCALE		SIZE CODE	NUMBER
SHEET 1 OF 2		D CS 5413601-0-1	REV. C

LOGIC INVERTER CONTROL BOARD

digital

"THIS DRAWING AND SPECIFICATIONS, HEREIN, ARE THE PROPERTY OF DIGITAL EQUIPMENT CORPORATION AND SHALL NOT BE REPRODUCED OR COPIED OR USED IN WHOLE OR IN PART AS THE BASIS FOR THE MANUFACTURE OR SALE OF ITEMS WITHOUT WRITTEN PERMISSION. COPYRIGHT © 1978 DIGITAL EQUIPMENT CORPORATION"

DCS 5413601-0-1 C 2



REVISIONS		
CHK	CHANGE NO.	REV.

TITLE	LOGIC INVERTER CONTROL BOARD	SIZE CODE	D	NUMBER	DCS 5413601-0-1	REV.	C
SCALE	SHEET 2 OF 2	DIST.					

LINE	ITEM	DOCUMENT NUMBER	PART NUMBER	DESCRIPTION	QTY	PER VARIATION	REFERENCE DESIGNATOR
					00		
1	1	D-MD-5013600-0-0	5013600-00	DRILL & ETCH BD	1		
2	2		1010978-24	.01 MFD 50V 10% 2C067 CER	6		C1-C6
3	3		1013280-00	680.0 MMF1000V 5%200PPM	2		C7,C8
4	4		1010279-01	.47 MFD 25V 20% 2C023 CER.	14		C9,C14,C18,C21,C30-C32,C34,C35,
						CONT	C38,C17,C26,C40,C41
5	5		1010978-32	.047 MFD 50V 10% 2C067CER.	2		C10,C28
6	6		1011683-00	.022 MFD 50V 10% 2C067 CER.	1		C11
7	7		1014170-00	2700.0 MMF 100V 1% 70PPM	1		C15
8	8		1002627-00	2.2MFD 20V 10% 150D S.TA	1		C16
9	9	BLANK		*** THIS ITEM IS NOT USED ***	-		
10	10		1010978-36	.1 MFD 50V 10% 2C067 CER	3		C19,C33,C13
11	11		1010274-00	.22 MFD 50V -20+80 Z5U CER	1		C20
12	12		1000012-00	56.0 MMF 100V 5%200PPM DM15S	1		C22
13	13		1013466-08	680.0 MMF 50V 10% X7R CER	1		C24
14	14		1000052-00	.063 MFD 100V 10% 663UW MYLR	1		C25
15	15		1012783-00	.022 MFD 50V +80-20% CER	2		C43,C42
16	16		1011740-00	5600.0 MMF 50V 10% CW15C CER.	2		C27,C29
17	17		1005306-00	6.8MFD 35V 10% S.TANT	1		C36
18	18		1013466-09	1000.0 MMF 50V 10% X7RCER	1		C37
19	19		1011740-01	3300.0 MMF 50V 10% CW15C CER.	1		C39
20	20		1112595-01	A114B PIV=200 I= 1A	8		D1,D2,D5,D18,D19,D24,D25,D36
21	21		1111205-00	SCREENED VZ= 5.7 2% .40W	1		D3
22	22		1105275-00	D 672 TR= 15NS PIV= 60V SI	28		D4,D11,D12,D15,D16,D27-D34,
						CONT	D37-D50,D52
23	23		1110766-00	1N 5248B VZ= 18.0 5% .50W	2		D6,D14
24	24		1110968-00	2N 5062 SCR@100V I=.8A T092	3		D7-D9
25	25		1109991-00	1N 754A VZ= 6.8 5% .40W	1		D17
26	26		1112594-01	A115B PIV=200 I= 3A	4		D20-D23
27	27		1105871-00	1/4M5.1AZ1 = 5.1 1% .25W N	1		D26
28	28		1105873-00	*** THIS ITEM IS NOT USED ***	-		

REVISION HISTORY		BASIC PART NO: 5413601		IDRN:	J.LENT	DATE:	3-JAN-79	D I G I T A L			
ENG	ECO NUMBER	REV	SECTION A OF A	CHK'D:	F.GERRY	DATE:	19-JUL-79	TITLE PARTS LIST			
---	INITIAL	B	SECTION.VARIATION INDEX					LOGIC INVERTER CONTROL BD			
---	INITIAL	B	[A] 00								
TRW	5413601-TW001	C	[B]	DES.ENG:	J.A.HERRMANN	DATE:	19-JUL-79				
			[C]								
			[D]								
			[E]								
			[F]	RESP.ENG.:	J.A.HERRMANN	DATE:	19-JUL-79	DOCUMENT NUMBER			
			[G]					SIZE	CODE	NUMBER	REV
			[H]								
			[I]	MFG.ENG.:	F.MUNIZ	DATE:	19-JUL-79	K	PL	5413601-0-DBP	C
			[J]								
			[K]	ASSEMBLY NUMBER:		TOP DOCUMENT NUMBER:		FILE NAME:		EDIT #:	
			[L]	D-UA-5413601-0-0				Z0400C.PLS		20	
			[M]								

"THIS DRAWING AND SPECIFICATIONS HEREIN, ARE THE PROPERTY OF DIGITAL EQUIPMENT CORPORATION AND SHALL NOT BE REPRODUCED OR COPIED OR USED IN WHOLE OR IN PART AS THE BASIS FOR THE MANUFACTURE OR SALE OF ITEMS WITHOUT WRITTEN PERMISSION.

COPYRIGHT (C) 1980, DIGITAL EQUIPMENT CORPORATION "

LINE	ITEM	DOCUMENT NUMBER	PART NUMBER	DESCRIPTION	QTY	PER VARIATION	REFERENCE DESIGNATOR
					00		
29	29		1211728-00	SOCKET 1POS STRIP FORM	14		J2,J3
30	30		1216112-01	HEADER.100 28POS RT ANGLE	1		J1
31	31		1302751-00	30.0 .25 W 5.0 % CC	1		R1
32	32		1301317-00	10.0 .25 W 5.0 % CC	1		R2
33	33		1301775-00	820.0 .25 W 5.0 % CC	3		R3,R18,R23
34	34		1312929-00	51.0 .25 W 5.0 % CC	2		R4,R5
35	35		1310382-00	2.70 1.0 W 5.0 % CC	1		R6
36	36		1300364-00	1.0 K .50 W 5.0 % CC	7		R7,R8,R26,R42,R44,R103,R130
37	37		1300347-00	680.0 .50 W 5.0 % CC	2		R9,R10
38	38		1300365-00	1.0 K .25 W 5.0 % CC	6		R11,R14,R15,R41,R45,R128
39	39		1300391-00	1.50 K .25 W 5.0 % CC	9		R12,R13,R16,R82,R85,R86,R98, CONT R100,R101
40	40		1300309-00	390.0 .25 W 5.0 % CC	2		R17,R133
41	41		1302377-00	39.0 .25 W 5.0 % CC	2		R19,R22
42	42		1300229-00	100.0 .25 W 5.0 % CC	3		R20,R24,R63
43	43		1300271-00	220.0 .25 W 5.0 % CC	4		R21,R25,R38,R40
44	44		1305872-00	.10 5.0 W 3.0 % WW	2		R27,R52
45	45		1301952-00	1.0 K 2.0 W 5.0 % CC	2		R28,R32
46	46		1311604-00	.20 3.0 W 3.0 % WW	4		R29,R30,R35,R36
47	47		1314023-00	47.0 2.0 W 5.0 % CC	2		R31,R33
48	48		1309855-00	300.0 2.0 W 5.0 % CC	1		R34
49	49		1301421-00	15.0 .25 W 5.0 % CC	2		R37,R39
50	50		1302955-00	750.0 .25 W 1.0 % RN55D-F10	2		R106,R65
51	51		1302383-00	360.0 .50 W 5.0 % CC	1		R43
52	52		1300394-00	1.50 K .50 W 5.0 % CC	1		R46
53	53		1303438-00	121.0 K .25 W 1.0 % RN55D-F10	1		R47
54	54		1300316-00	470.0 .25 W 5.0 % CC	6		R49,R64,R83,R99,R104,R129
55	55		1305405-00	24.90 K .25 W 1.0 % RN55D-F10	2		R50,R118
56	56		1304835-00	/REPLACED BY 13-05337-00	1		R51
57	57		1312989-00	17.80 K .25 W 1.0 % RN55D-F10	2		R53,R54
58	58		1313151-00	3.60 K .25 W 5.0 % CC	1		R126
59	59		1302873-00	261.0 .25 W 1.0 % RN55D-F10	1		R55
60	60		1305356-00	8.0 K .25 W .10% RN55C-B 5	2		R56,R114
61	61		1305129-00	8.0 K .25 W 1.0 % RN55D-F10	1		R57
62	62		1312930-00	5.10 K .25 W 5.0 % CC	5		R48,R66,R67,R90,R127
63	63		1300444-00	3.90 K .25 W 5.0 % CC	5		R60,R68,R69,R91,R94
64	64		1302466-00	100.0 K .25 W 5.0 % CC	1		R61
65	65		1301401-00	750.0 .25 W 5.0 % CC	1		R62
66	66		1304693-00	*** THIS ITEM IS NOT USED ***			
67	67		1302391-00	20.0 K .25 W 5.0 % CC	2		R77,R74
68	68		1312452-00	3.74 K .25 W 1.0 % RN55D-F10	1		R70
69	69		1313344-00	75.0 K .25 W 1.0 % RN55D-F10	1		R88
70	70		1311320-00	90.90 K .25 W 1.0 % RN55D-F10	1		R72
71	71		1304728-00	4.0 K .25 W .10% RN55E-B 2	2		R73,R113
72	72		1300439-00	3.30 K .25 W 5.0 % CC	3		R75,R105,R115
73	73		1312932-00	36.0 K .25 W 5.0 % CC	1		R76
74	74		1301459-00	47.50 .75 W 1.0 % RN65D-F10	1		R78
75	75		1300195-00	33.0 .50 W 5.0 % CC	1		R79

!	!	!	!	!	!	!	!	!	!	!	!	!	!	!	!	!	!	!
!	D	I	B	I	T	A	L	!	TITLE	!	!	!	!	!	!	!	!	!
!	!	!	!	!	!	!	!	!	LOGIC INVERTER CONTROL BD	!	!	!	!	!	!	!	!	!
!	!	!	!	!	!	!	!	!	SECTION A OF A	!	!	!	!	!	!	!	!	!
!	!	!	!	!	!	!	!	!	!	!	!	!	!	!	!	!	!	!
!	!	!	!	!	!	!	!	!	!	!	K	!	PL	!	5413601-0-DBP	!	C	!

LINE ITEM	DOCUMENT NUMBER	PART NUMBER	DESCRIPTION	QTY PER VARIATION	REFERENCE DESIGNATOR
				00	
76	76	1305322-00	7.50 K .25 W 1.0 % RN55D-F10	7	R80,R81,R107,R108,R87,R102,R71
77	77	1302388-00	2.0 K .25 W 5.0 % CC	2	R59,R84
78	78	1305421-00	35.70 K .25 W 1.0 % RN55D-F10	1	R89
79	79	1305325-00	8.25 K .25 W 1.0 % RN55D-F10	1	R92
80	80	1305127-00	4.0 K .25 W 1.0 % RN55D-F10	2	R93,R124
81	81	1305432-00	5.11 K .25 W .10% RN55E-B 2	2	R95,R117
82	82	1314041-00	3.01 K .25 W 1.0 % RN55D-F10	1	R94
83	83	1300292-00	300.0 1.0 W 5.0 % CC	1	R97
84	84	1304865-00	1.0 K .25 W .10% RN55E-B 2	4	R109-R112
85	85	1300250-00	150.0 .25 W 5.0 % CC	1	R119
86	86	1303313-00	12.10 K .25 W 1.0 % RN55D-F10	1	R120
87	87	1312565-00	13.30 K .25 W 1.0 % RN55D-F10	1	R121
88	88	1300202-00	*** THIS ITEM IS NOT USED ***	-	
89	89	4810004-48	*** THIS ITEM IS NOT USED ***	-	
90	90	1302381-00	200.0 .50 W 5.0 % CC	1	R131
91	91	1300257-00	150.0 2.0 W 5.0 % CC	1	R132
92	92	1301522-00	27.0 .25 W 5.0 % CC	1	R134
93	93	1301972-00	270.0 .25 W 5.0 % CC	1	R135
94	94	1510705-00	XA 05 NPN 500MW SI 60 50 P	5	Q1-Q4,Q12
95	95	1514271-01	D 4405 NPN 31W SI225 30	4	Q5-Q8
96	96	1510706-00	XA 55 PNP 500MW SI 60 50 P	5	Q9,Q10,Q14,Q16,Q20
97	97	1510959-00	2N 3725 NPN 3.5WC SI 50 60 P	1	Q11
98	98	1513490-00	2N 4403 PNP 350MW SI-40 30	2	Q13,Q19
99	99	1516121-00	MPS A92 PNP 625MW SI300 25	1	Q15
100	100	1513489-00	2N 4401 NPN 350MW SI 40 20	4	Q17,Q18,Q21,Q22
101	101	1505867-00	2N 4441 SCRD 50V & 8A	2	D10,D13
102	102	1616213-00	550.0 UH VARIABLE	2	L1,L2
103	103	1912108-00	339 VOLT CMPRTR,QUAD	2	E1,E4
104	104	1912107-00	324 OP AMP,QUAD	1	E2
105	105	1914250-00	3524 MODULATOR-REGULATING	1	E3
106	106	7422047-01	HEAT SINK DOUBLE	2	
107	107	1301424-00	680.0 .25 W 5.0 % CC	1	R58
108	108	9006039-01	SCREW,PAN,PHIL 8-32X 1/2 SS	2	
109	109	9006660-00	WASHER, FLAT, .375 O.D. X .187 I	4	
110	110	9006690-00	WASHER, LOCK, S.S. #8	2	
111	111	1303177-00	2.40 K .25 W 5.0 % CC	1	R116
112	112	9006011-01	SCREW,PAN,PHIL 4-40X 3/8 SS	4	
113	113	9009769-00	WASHER, RECTANGULAR .405X.225X.0	4	
114	114	9006556-00	NUT,HEX , 4-40X1/4 AF X 3/	4	
115	115	9006688-00	WASHER, LOCK, S.S. #4	4	
116	116	9010128-00	SCREW,TAPPING,TYPE PAN,PHIL,	4	
117	117	9007201-00	TRANSIPADS #10253	1	C23
118	118	9008268-00	COMPOUND, THERMAL JOINT	A/R	
119	119	1314516-00	200.0 K .25 W 5.0 % CC	1	R123
120	120	1313592-00	4.87 K .25 W 1.0 % RN55D-F10	1	R125
121	121	9105740-55	WIRE(WRAP)30AWG UL1423	A/R	
122	122	1000009-00	*** THIS ITEM IS NOT USED ***	-	
123	123	4810004-34	*** THIS ITEM IS NOT USED ***	-	

TITLE	SECTION	SIZE	CODE	DOCUMENT NUMBER	REV
LOGIC INVERTER CONTROL BD	A OF A			5413601-0-DBF	C

AUTOMATED BY PRTLST.3G(17)

PARTS LIST

SHEET A4 OF A4

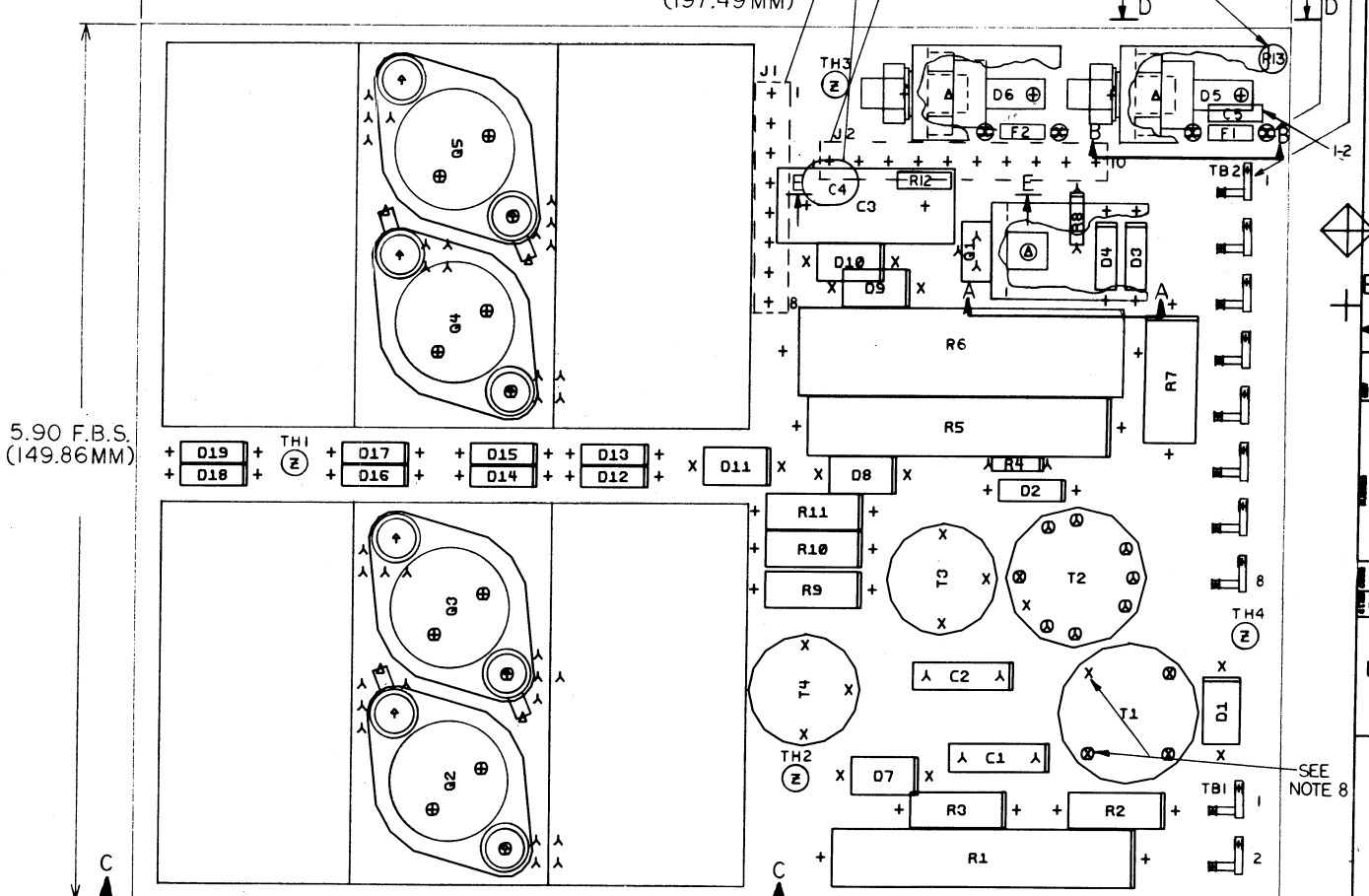
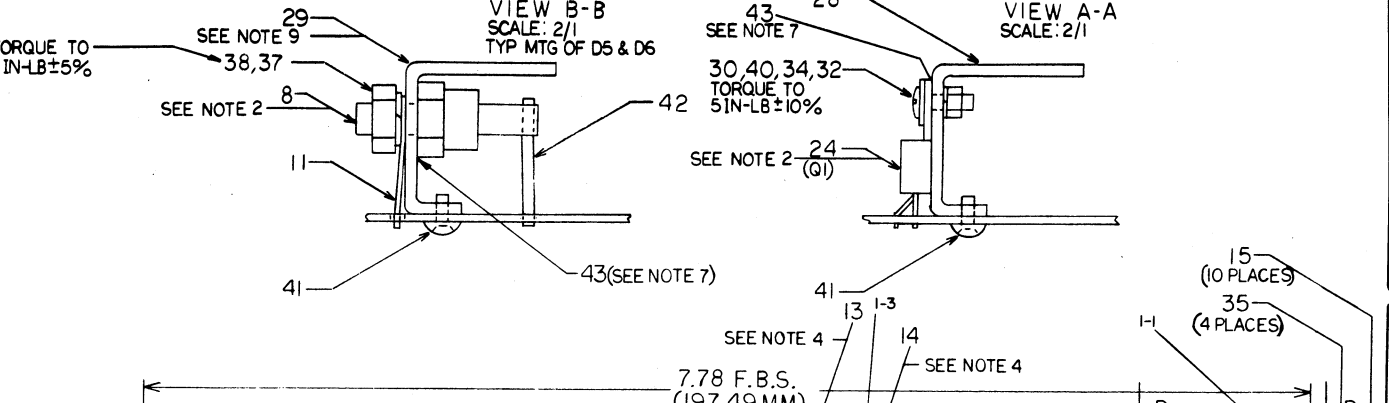
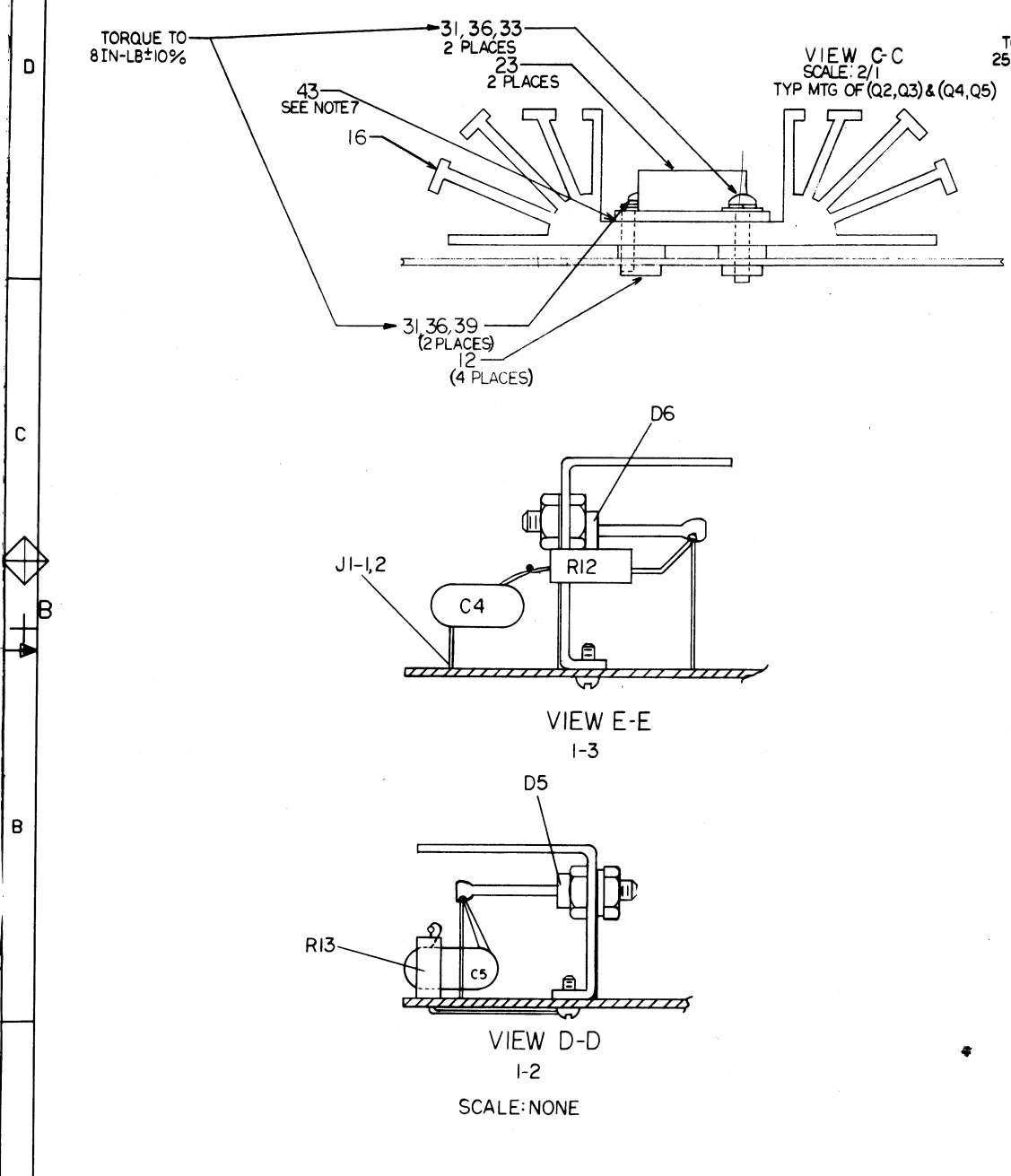
LINE ITEM DOCUMENT NUMBER PART NUMBER DESCRIPTION QTY PER VARIATION REFERENCE DESIGNATOR

00

124 NOTE: ITEM #121# .52' IS USED.

! D ! I ! G ! I ! T ! A ! L !	! TITLE	! SECTION A OF A	! SIZE ! CODE !	! DOCUMENT NUMBER	! REV !
	LOGIC INVERTER CONTROL BD		! K ! FL !	5413601-0-DBP	! C !

THE PROPERTY OF THE UNITED STATES GOVERNMENT
 IS NOT TO BE REPRODUCED OR TRANSMITTED IN ANY FORM OR BY ANY MEANS, ELECTRONIC OR MECHANICAL, INCLUDING PHOTOCOPYING, RECORDING, OR BY ANY INFORMATION STORAGE AND RETRIEVAL SYSTEM, WITHOUT PERMISSION IN WRITING FROM THE GOVERNMENT PRINTING OFFICE: 1975



- NOTES:
1. FOR STEP AND REPEAT DIM'S SEE 2 ML 39
 2. Q1, D5 & D6 MUST BE MOUNTED TO HEATSINKS BEFORE BEING ATTACHED TO P.C.B.
 3. FOR ASSM. OF ITEM 23 SEE VIEW C
 4. J1 AND J2 TO BE MOUNTED ON SIDE 2
 5. RAISE R1, 5 AND R6, 125 TO 150" OFF P.C.B.
 6. RAISE D1, 7, 8-11 AND R3, 7, 9-11 .05 TO .100"

CHANGE NO	REV	DATE	BY	CHK'D
54-13599-1	W1	C	R RICHARD	

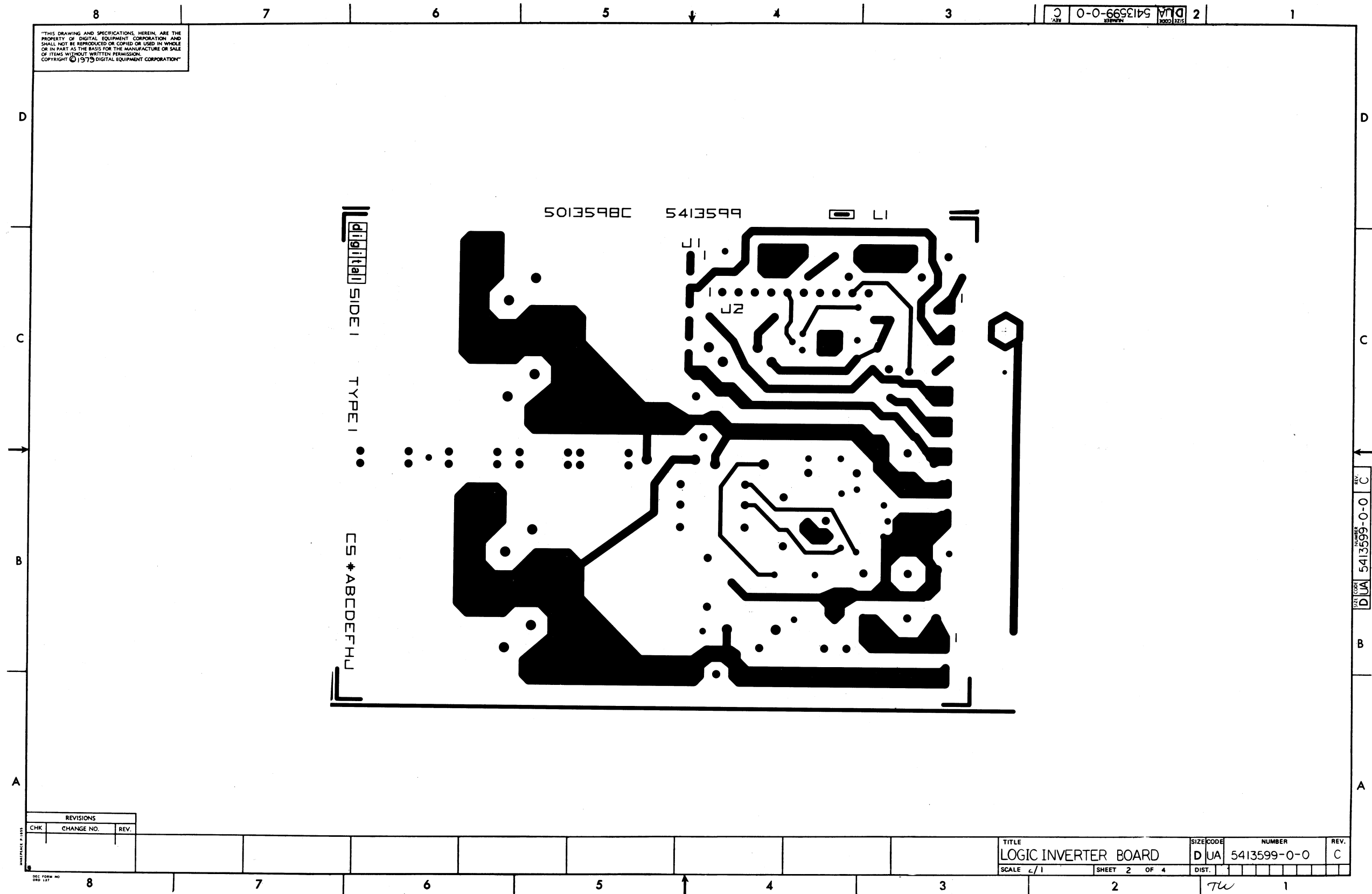
- NOTES:
7. USE THERMAL COMPOUND ITEM 43 BETWEEN Q2, Q3, Q4, Q5, Q1, D5, D6, AND HEAT SINK.
 8. LARGER DIAMETER LEADS IN THESE TWO POSITIONS.
 9. TOP FIN OF ITEM 29 (HEATSINK) MUST BE INSTALLED PARALLEL TO EDGE OF BOARD

ETCH REV.	C
P.C. DESIGN DATA BASE REV.	CL

SIGNATURES	DATE	TITLE
DRN. <i>Jim Kent</i>	2-9-79	digital LOGIC INVERTER BD.
CHK'D. <i>Frank S. ...</i>	2-21-79	
ENG. <i>...</i>	6-21-79	
PRD. <i>...</i>	7-15-79	
SCALE 2/T		SIZE CODE NUMBER
SHT. 1 OF 4		D UA 54-13599-00 C
NEXT HIGHER ASSY. B-DD-54-13599-0		

"THIS DRAWING AND SPECIFICATIONS HEREIN ARE THE PROPERTY OF DIGITAL EQUIPMENT CORPORATION AND SHALL NOT BE REPRODUCED OR COPIED OR USED IN WHOLE OR IN PART AS THE BASIS FOR THE MANUFACTURE OR SALE OF ITEMS WITHOUT WRITTEN PERMISSION. COPYRIGHT © 1975 DIGITAL EQUIPMENT CORPORATION"

REV. C
 NUMBER 5413599-0-0
 SIZE CODE DUA
 SHEET 2



REVISIONS		
CHK	CHANGE NO.	REV.

TITLE: LOGIC INVERTER BOARD
 SCALE: 1/1
 SHEET: 2 OF 4
 SIZE CODE: DUA
 NUMBER: 5413599-0-0
 REV.: C
 DIST. 1
 TW

SEC FORM NO 250 117

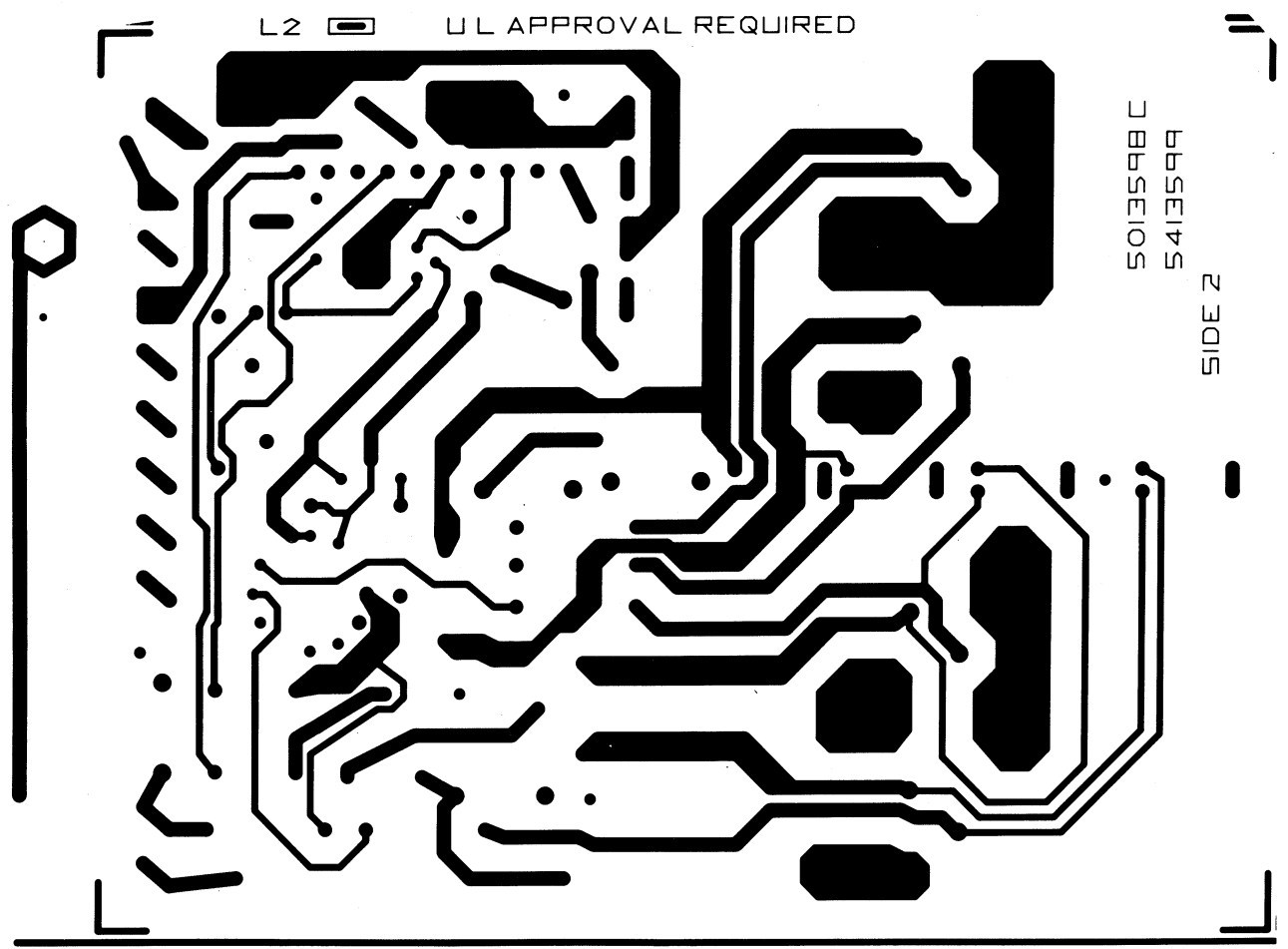
8 7 6 5 4 3 2 1

ALL DIMENSIONS ARE IN MILLIMETERS UNLESS OTHERWISE SPECIFIED. THIS DRAWING IS THE PROPERTY OF THE COMPANY AND IS NOT TO BE REPRODUCED OR COPIED IN ANY MANNER WITHOUT THE WRITTEN PERMISSION OF THE COMPANY. © 1975 "CLIP" EQUIPMENT CORPORATION

SIZE CODE NUMBER DUA 5413599-0-0 2 C

D
C
B
A

D
C
B
A



5013599 C
5413599
SIDE 2

REVISIONS		
NO.	CHANGE NO.	REV.

8 7 6 5 4 3 2 1

TITLE: LOGIC INVERTER BOARD
 SIZE CODE: DUA
 NUMBER: 5413599-0-0
 REV.: C
 SCALE: 2/1
 SHEET: 3 OF 4
 DIST.:

tu

8 | 6 | 5 | 4 | 3 | 2 | 1

THIS DRAWING AND SPECIFICATIONS HEREIN ARE THE PROPERTY OF DIGITAL EQUIPMENT CORPORATION AND SHALL NOT BE REPRODUCED OR COPIED OR USED IN WHOLE OR IN PART AS THE BASIS FOR THE MANUFACTURE OR SALE OF ITEMS WITHOUT WRITTEN PERMISSION.
 DIGITAL EQUIPMENT CORPORATION

REWORK INSTRUCTION (ECO 1)
 COMPONENT ADDS: SIDE 1
 1-1 INSTALL R13 BY DRILLING ONE .055" HOLE AS SHOWN. (HOLE IS UNDERNEATH R13)
 1-2 C5 AND R13 ARE CONNECTED BY TWISTING ONE LEAD OF R13 WITH ONE LEAD OF C5 AND SOLDERING. THE OTHER LEAD OF R13 IS TACK SOLDERED TO THE ETCH ON SIDE 2 LEADING TO THE CATHODE OF D5. THE OTHER LEAD OF C5 IS CONNECTED TO THE ANODE OF D5. (SEE VIEW D-D)
 1-3 R12 AND C4 ARE CONNECTED BY TWISTING ONE LEAD OF R12 WITH ONE LEAD OF C4 AND SOLDERING. THE OTHER LEAD OF R12 IS CONNECTED TO THE ANODE OF D6. THE OTHER LEAD OF C4 IS TACK SOLDERED TO J1-1 AND 2. (SEE VIEW E-E)

D
C
B
A

D
C
B
A

REVISION HISTORY		
DATE	ECO NUMBER	REV.

7 | 6 | 5 | 4 | 3 | 2 | 1

TITLE LOGIC INVERTER BOARD

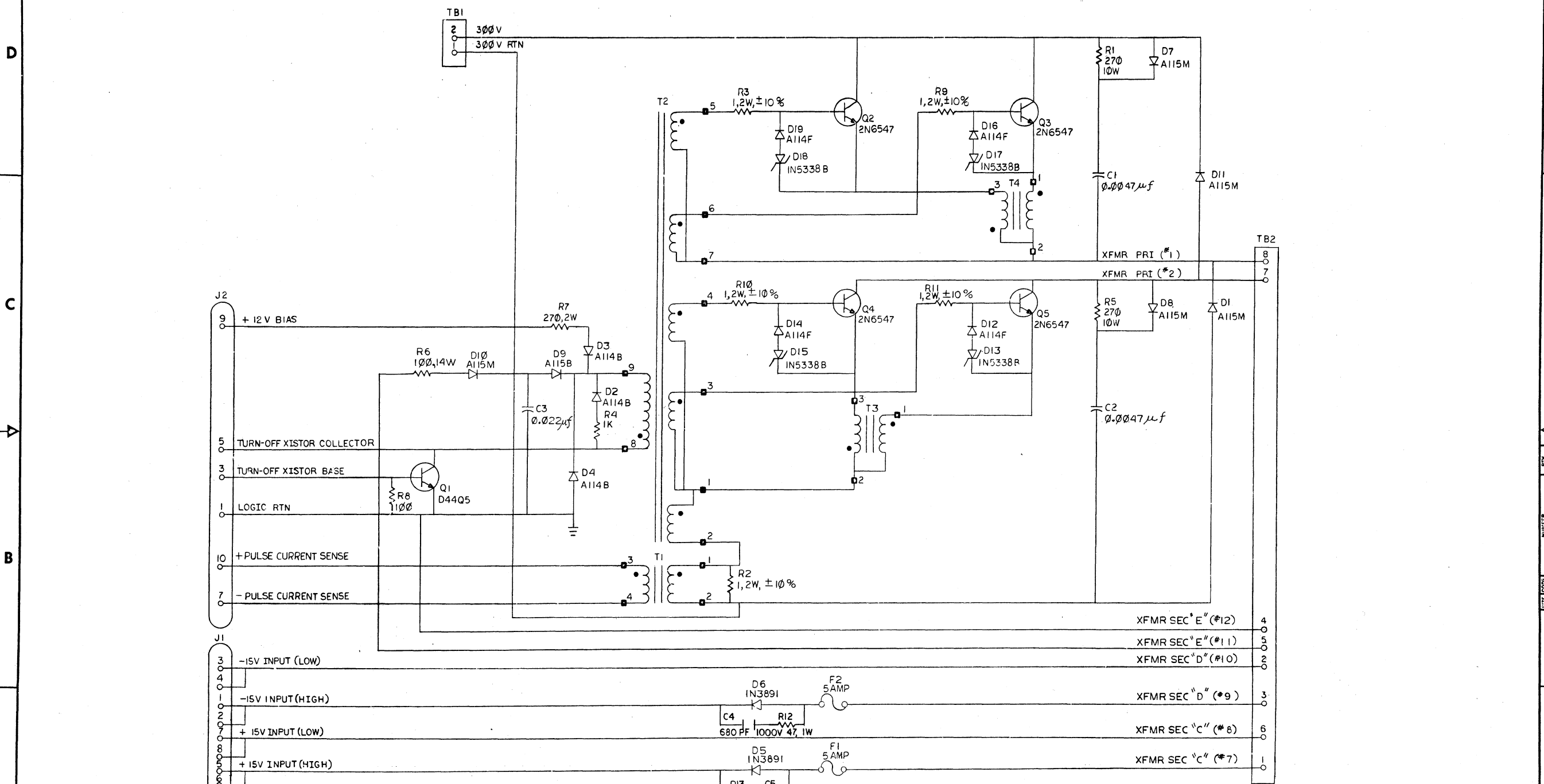
DOCUMENT NUMBER		
SIZE CODE	NUMBER	REV.
D	UA 54-13599-0-0	C

SCALE 2/1 SHEET 4 OF 4

TW 1

"THIS DRAWING AND SPECIFICATIONS HEREIN ARE THE PROPERTY OF DIGITAL EQUIPMENT CORPORATION AND SHALL NOT BE REPRODUCED OR COPIED OR USED IN WHOLE OR IN PART AS THE BASIS FOR THE MANUFACTURE OR SALE OF ITEMS WITHOUT WRITTEN PERMISSION OF DIGITAL EQUIPMENT CORPORATION"
 COPYRIGHT © 1978

CS 5413599-0-1 2



REV.	CHG. NO.	DATE	BY
1		1/24/78	THOMAS C.
2		2/6/78	WOLFE

DRN. by <i>[Signature]</i>	10-3178	FIRST USED ON	<i>[Signature]</i>
CHK'D <i>[Signature]</i>	6-7-78	TITLE	LOGIC INVERTER BOARD
ENGR. <i>[Signature]</i>	6-24-78	SIZE	D
PROJ. ENR. <i>[Signature]</i>	6-24-78	CODE	CS 5413599-0-1
PROD. <i>[Signature]</i>	7-15-78	NUMBER	1
NEXT HIGHER ASSY.		REV.	C
SCALE		SHEET	1 OF 1

CS 5413599-0-1 C

LINE	ITEM	DOCUMENT NUMBER	PART NUMBER	DESCRIPTION	QTY PER VARIATION	REFERENCE DESIGNATOR
					00	
1	1	D-MD-5013598-0-0	5013598-00	DRILL & ETCH BD	1	
2	2		1011847-03	.0047 MFD 600V 10% POLYPROP	2	C1,C2
3	3		1014430-00	.022 MFD 270V 10% M.POLYPROP	1	C3
4	4		1112594-01	A115B PIV=200 I= 3A	1	D9
5	5		1112594-02	A115M PIV=600 I= 3A	5	D1,D7,D8,D11,D10
6	6		1112595-00	A114F PIV= 50 I= 1A	4	D12,D14,D16,D19
7	7		1112595-01	A114B PIV=200 I= 1A	3	D2-D4
8	8		1110491-20	IN 3891 PIV=200 T=12A D04 SI	2	D5,D6
9	9		1114435-00	1N 5338B VZ= 5.1 5% 5W	4	D13,D15,D17,D18
10	10		1205747-00	FUSE, SUB-MINI, 5.000A, 125V, A	2	F1,F2
11	11		1216937-00	TERMINAL,SOLDER	2	
12	12		1214789-00	INSERT,THREADED 6-32 ,BRASS,ELEC	8	
13	13		1216108-00	HEADER,200 8POS STRAIGHT	1	J1
14	14		1216108-01	HEADER,200 10POS STRAIGHT	1	J2
15	15		1216269-00	TERM SPADE 1POS SOLDER STRIP	10	
16	16		1216316-00	HEAT SINK,ALUM,YELLOW CHROM. FIN	2	
17	17		1300229-00	100.0 .25 W 5.0 % CC	1	R8
18	18		1300365-00	1.0 K .25 W 5.0 % CC	1	R4
19	19		1305380-00	270.0 2.0 W 5.0 % CC	1	R7
20	20		1314350-00	1.0 2.0 W10.0 % WW	5	R2,R3,R9-R11
21	21		1314172-01	100.0 14.0 W 5.0 % WW	1	R6
22	22		1314544-00	270.0 10.0 W 5.0 % WW	2	R1,R5
23	23		1514195-00	2N 6547 PNP 400V SI 15A	4	Q2-Q5
24	24		1514271-01	D 44Q5 NFN 31W SI225 30	1	Q1
25	25		1614202-00	XFMR,CURRENT	1	T1
26	26		1614203-00	CHOKER,BALUN-COMMON MODE	2	T3,T4
27	27		1614204-00	PULSE XFMR 20312 BASE DRIVE	1	T2
28	28		7422046-00	HEAT SINK,SINGLE	1	
29	29		7422046-01	HEAT SINK	2	
30	30		9006011-01	SCREW,PAN,PHIL 4-40X 3/8 SS	1	

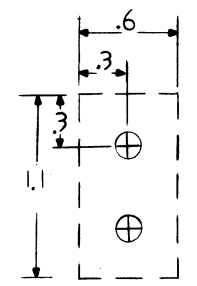
REVISION HISTORY		BASIC PART NO: 5413599		DRN:	K.FRIEDGEN	DATE:	20-JUL-79	D I G I T A L	
ENG	ECD NUMBER	REV	SECTION A OF A	CHK'D:	F.GERRY	DATE:	20-JUL-79	TITLE	PARTS LIST
RR	5413599-TW001	C	[A] 00	DES.ENG:	J.A.HERRMANN	DATE:	20-JUL-79	DOCUMENT NUMBER	
			[B]	RESP.ENG.:	J.A.HERRMANN	DATE:	20-JUL-79	SIZE	CODE
			[C]	MFG.ENG.:	F.MUNIZ	DATE:	20-JUL-79	NUMBER	REV
			[D]	ASSEMBLY NUMBER:		TOP DOCUMENT NUMBER:		FILE NAME:	EDIT #
			[E]	ID-UA-5413559-0-0				Z0399C.PLS	14

"THIS DRAWING AND SPECIFICATIONS HEREIN, ARE THE PROPERTY OF DIGITAL EQUIPMENT CORPORATION AND SHALL NOT BE REPRODUCED OR COPIED OR USED IN WHOLE OR IN PART AS THE BASIS FOR THE MANUFACTURE OR SALE OF ITEMS WITHOUT WRITTEN PERMISSION. COPYRIGHT (C) 1980. DIGITAL EQUIPMENT CORPORATION "

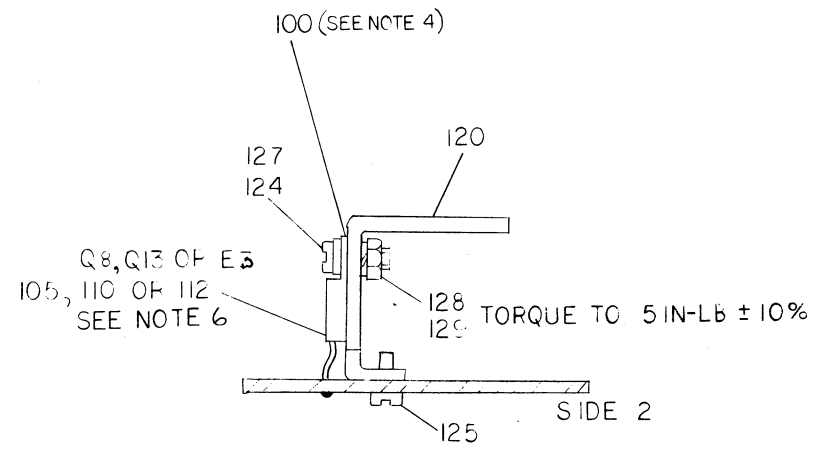
THIS DRAWING AND SPECIFICATIONS, IN whole or in part, are the property of Digital Equipment Corporation and shall not be reproduced or copied in whole or in part for the benefit of the manufacturing or sales of items without written permission. Copyright © 1975 Digital Equipment Corporation

VIEW C-C
SCALE 2/1
TYP. MTG OF L1, L2 & L3

VIEW B-B
SCALE 2/1
TYP. MTG. OF D4 & D6



DETAIL A
SEE NOTE 7

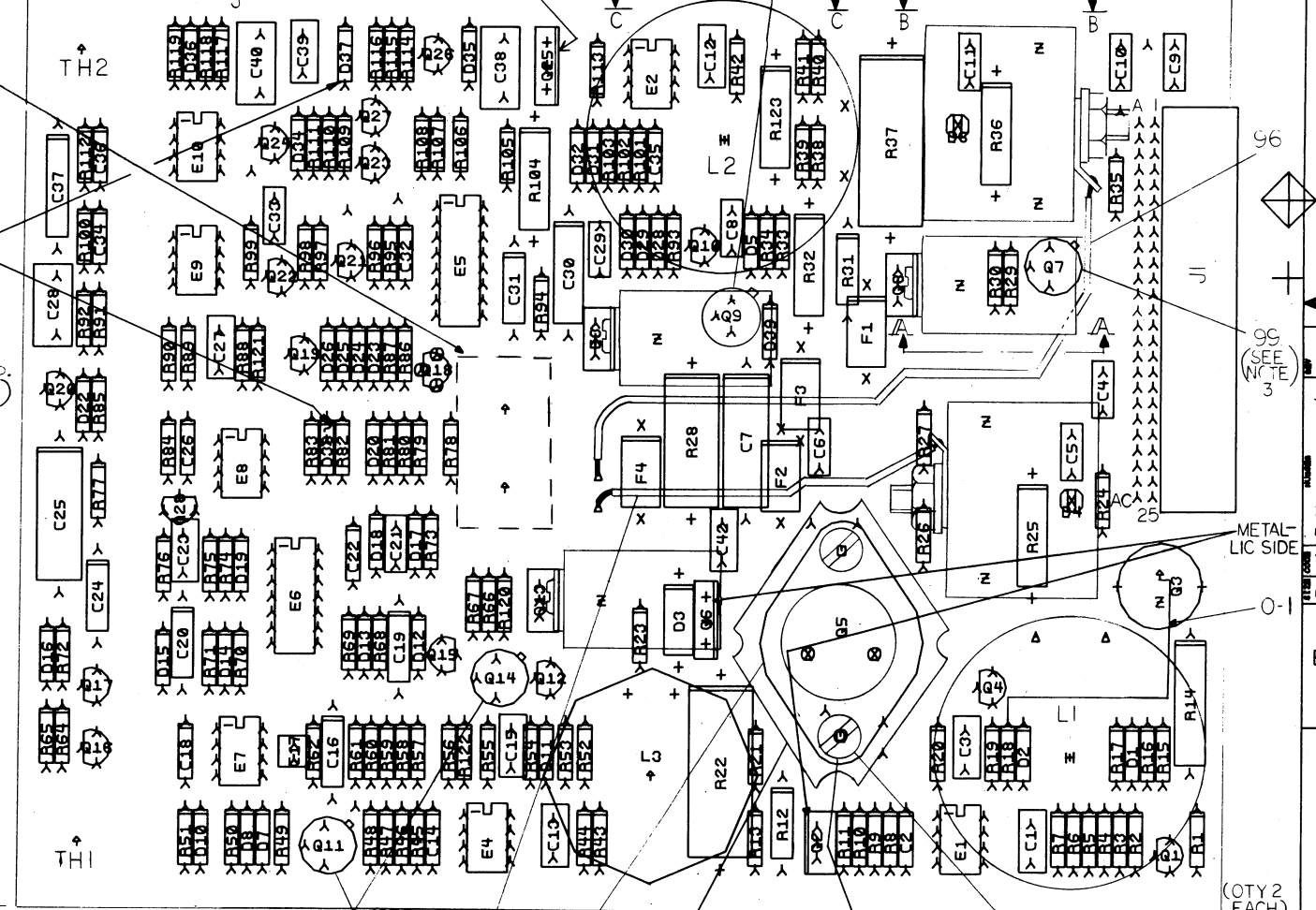


SECTION A-A
SCALE: 2/1
TYPICAL 3 PLACES

FOR -00 DIODE IS USED
FOR -YA JUMPER IS USED

5.90 F.B.S.
(149.86 MM)

7.78 F.B.S.
(197.49 MM)



- NOTES:
1. F4, F37 MUST BE PLACED .125" TO .150"
 2. D3, D4, D5, D6 MUST BE PLACED .05" TO .10"
 3. USE TRANSFADS (ITEM 99) UNDER Q7, Q8, Q13, Q14.
 4. USE THERMAL CONDUCTIVE (ITEM 100) BETWEEN E3, Q8, Q13, D4, D6 & HEAT SINK.

CHANGE NO	REV	DATE	BY	CHK'D
5413607-TWS	E		R. WOLF	
877		9-5-80	R. WOLF	

5. TORQUE TO 6 IN LB ± 10%
6. Q8, Q13, E3, D4, D6 MUST BE MOUNTED TO HEAT SINKS BEFORE BEING ATTACHED TO P.C.B.
7. MASK THIS AREA ON SIDE 2 ONLY, KEEP FREE OF SOLDER.

ETCH REV.	D-PI
-----------	------

SIGNATURES	DATE	TITLE
DRN. P. RICHARD TELLIER	12-27-79	digital
CHK'D. Mark [unclear]	2-5-80	
MECH. ENG. Bob Wolf	11-9-80	
PROJ. ENG. Bob Wolf	11-9-80	MEMORY REGULATOR
PROD. [unclear]	10-7-80	

SCALE 2/1
SHT. 1 OF 2
NEXT HIGHER ASSY. B-DD-5413607-0

STEP	Y AXIS	STEP	TIMES
REPEAT	X AXIS	7.900	TIMES

8

SIZE CODE DUA NUMBER 5413607-0-0 REV. E

6

5

4

3

2

1

"THIS DRAWING AND SPECIFICATIONS, HEREIN, ARE THE PROPERTY OF DIGITAL EQUIPMENT CORPORATION AND SHALL NOT BE REPRODUCED OR COPIED OR USED IN WHOLE OR IN PART AS THE BASIS FOR THE MANUFACTURE OR SALE OF ITEMS WITHOUT WRITTEN PERMISSION. COPYRIGHT © 1980 DIGITAL EQUIPMENT CORPORATION"

REWORK INSTRUCTION

WIRE ADD SIDE 1
0-1 FROM R18 (WRAP WIRE AROUND COMPONENT LEAD) TO Q3 CATHODE (GND) (USE ITEM 144)

D

D

C

C

B

B

A

A

REV. E

SIZE CODE DUA NUMBER 5413607-0-0

B

REVISION HISTORY		
DATE	ECO NUMBER	REV.

TITLE
MEMORY REGULATOR

DOCUMENT NUMBER		
SIZE CODE	NUMBER	REV.
DUA	5413607-0-0	E
SCALE $\frac{1}{1}$		SHEET 2 OF 2

DRD 137A

8

7

6

5

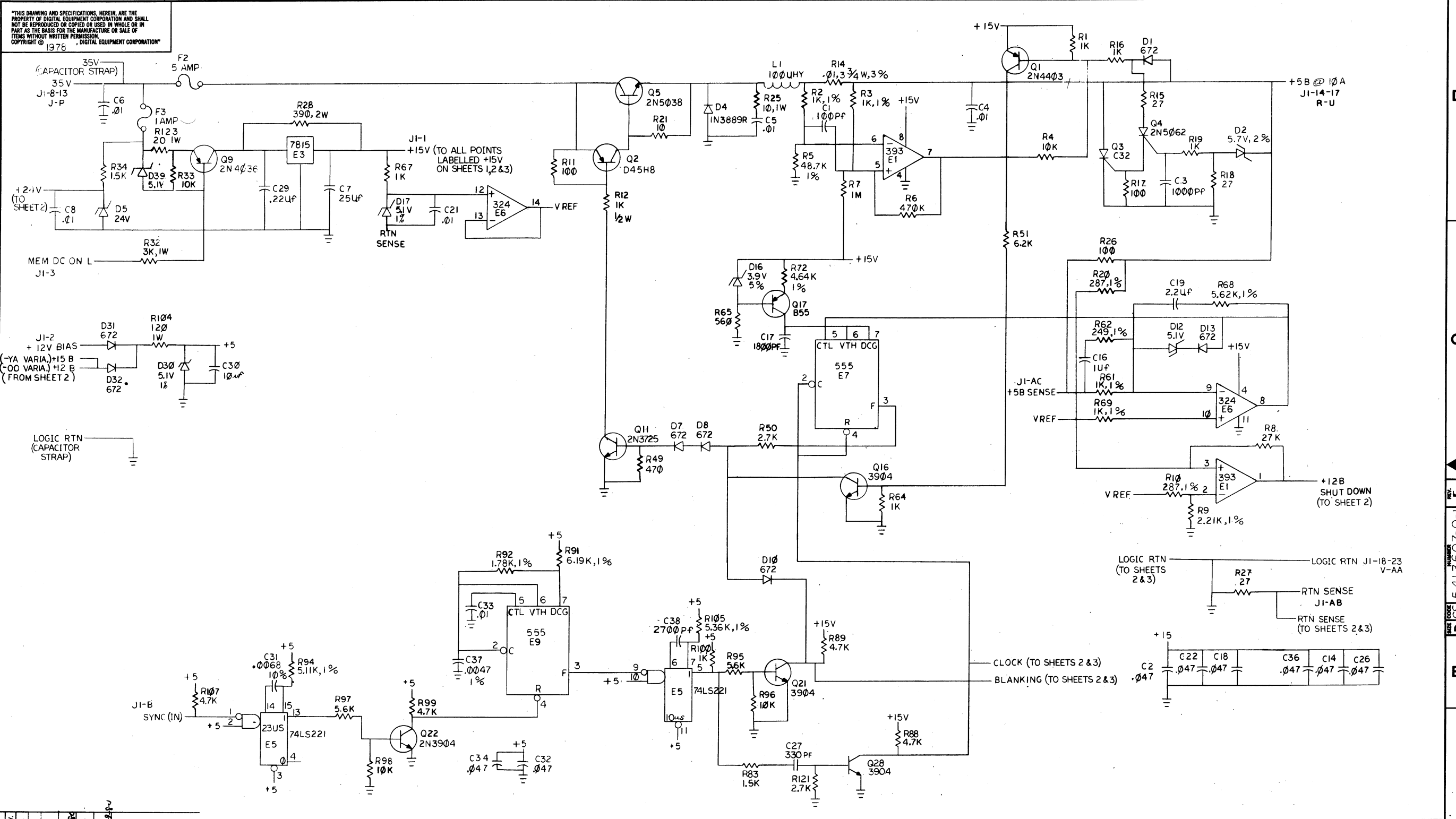
4

3

2

TW

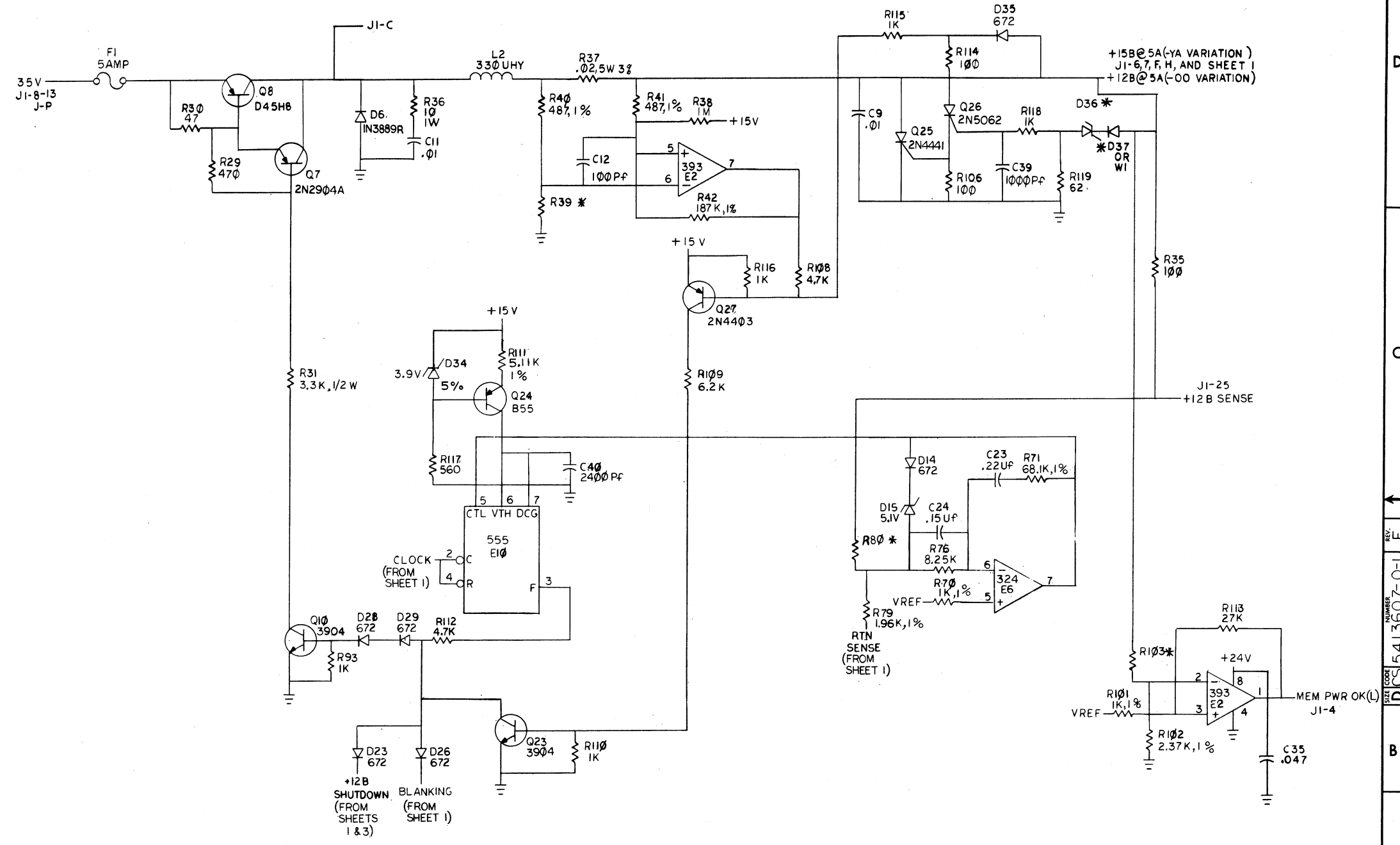
1



REV.	CHANGE NO.	DESCRIPTION
C	1	5413607-TW3
D	2	5413607-TW4
E	3	5413607-TW5

DRN. <i>Ray Cannon</i>	10-20-78	FIRST USED ON	H7140	digital
CHK'D <i>J.F. Sullivan</i>	12/1/79	TITLE	MEM REG	
ENG. <i>R.A. W...</i>	8/6/77	SCALE	+	SHEET 1 OF 3
PROJ. ENG. <i>R.A. W...</i>	8/6/77	SIZE CODE	D CS 5413607-0-1	
PROD. <i>F. M...</i>	8/6/77	NUMBER		REV. E
NEXT HIGHER ASSY.		DIST.		

"THIS DRAWING AND SPECIFICATIONS, HEREIN, ARE THE PROPERTY OF DIGITAL EQUIPMENT CORPORATION AND SHALL NOT BE REPRODUCED OR COPIED OR USED IN WHOLE OR IN PART AS THE BASIS FOR THE MANUFACTURE OR SALE OF ITEMS WITHOUT WRITTEN PERMISSION. COPYRIGHT © 1978



*

COMPONENT DESIGNATOR	-00 VARIATION	-YA VARIATION
D36	13V, 5%	18V, 5%
R39	39.2K, 1%	48.7K, 1%
R80	2.67K, 1%	3.83K, 1%
R103	2.67K, 1%	3.83K, 1%
D37	672	
W1		JUMPER

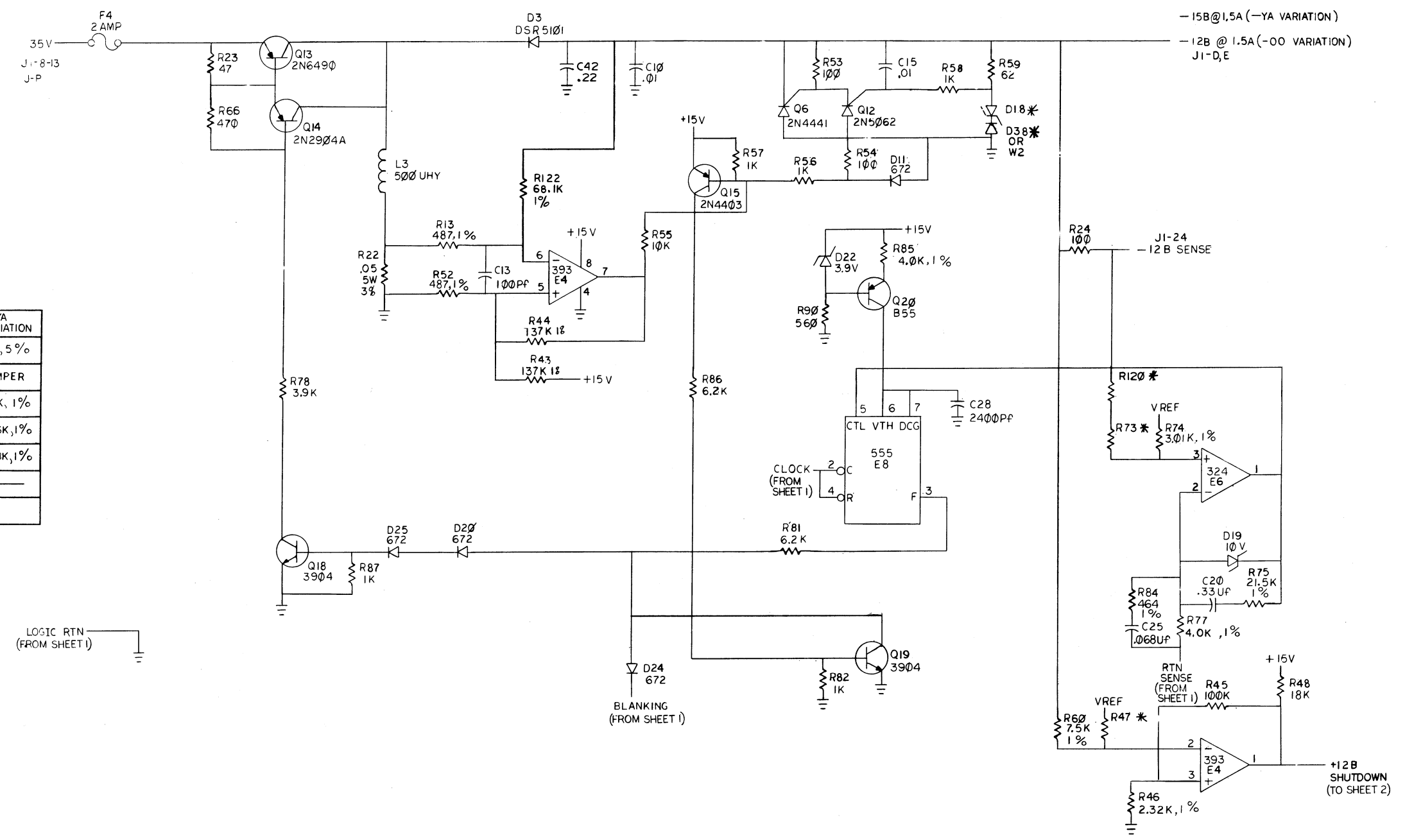
LOGIC RTN (FROM SHEET 1)

REVISIONS		
CHK	CHANGE NO.	REV.

THIS DRAWING AND SPECIFICATIONS, HEREIN, ARE THE PROPERTY OF DIGITAL EQUIPMENT CORPORATION AND SHALL NOT BE REPRODUCED OR COPIED OR USED IN WHOLE OR IN PART AS THE BASIS FOR THE MANUFACTURE OR SALE OF ITEMS WITHOUT WRITTEN PERMISSION. COPYRIGHT © 1978 DIGITAL EQUIPMENT CORPORATION

*

COMPONENT DESIGNATOR	-00 VARIATION	-YA VARIATION
D18	13V, 5%	18V, 5%
W2	---	JUMPER
R47	3.48K, 1%	2.8K, 1%
R73	5.62K, 1%	5.36K, 1%
R120	1.47K, 1%	3.48K, 1%
D38	672	---



LOGIC RTN (FROM SHEET 1)

BLANKING (FROM SHEET 1)

REVISIONS		
CHK	CHANGE NO.	REV.

DCS 5413607-0-1 E

LINE ITEM	DOCUMENT NUMBER	PART NUMBER	DESCRIPTION	QTY PER VARIATION		REFERENCE DESIGNATOR
				00	YA	
1	D-MD-5013606-0-0	5013606-00	DRILL & ETCH RD	1	1	
2		1004813-00	10 MFD 20V 10% S.TANT	1	1	C30
3		1000042-00	1000.0 MMF 100V 5%200PPM MICA	2	2	C3,C39
4		1000052-00	.068 MFD 100V 10% MYLR	1	1	C25
5		1000060-00	6800.0 MMF 200V 10% MYLR	1	1	C31
6		1000075-00	25 MFD 25V +75-10% AL EL	1	1	C7
7		1001610-01	.01 MFD50/100V +80-20% DISC	10	10	C4-C6,C8-C11,C21,C33,C15
8		1001776-00	1 MFD 35V 10% S.TANT	1	1	C16
9		1001636-00	2400.0 MMF 100V 5%200PPM MICA	2	2	C28,C40
10		1014170-00	2700.0 MMF 100V 1% 70PPM MICA	1	1	C38
11		1002627-00	2.2MFD 20V 10% S.TANT	1	1	C19
12		1005328-00	.33 MFD 10V 10% S.TANT	1	1	C20
13		1009312-00	.0047 MFD 100V 1% MYLR	1	1	C37
14		1010274-01	.22 MFD 50V +80-20% Z5U CER	1	1	C29
15		1011740-02	1800.0 MMF 50V 10% CER	1	1	C17
16		1011895-00	.15 MFD 35V 10% S.TANT	1	1	C24
17		1012784-00	.047 MFD 50V +80-20% CER	9	9	C2,C14,C18,C22,C26,C32,C34-C36
18		1100122-00	1N 748A VZ= 3.9 5%	3	3	D16,D22,D34
19		1105275-00	D 672 TR= 15NS PIV= 60V SI	19	-	D1,D7,D8,D10,D11,D13,D14,D20, D23-D26,D28,D29,D31,D32,D35,D37, D38
		CONT		-	17	D1,D7,D8,D10,D11,D13,D14,D20, D23-D26,D28,D29,D31,D32,D35
20		1100125-00	1N 758A VZ= 10.0 5% .40W PPE	1	1	D19
21		1105871-00	1/4M5.1A21 = 5.1 1% .25W N	3	3	D17,D30,D39
22		1109988-00	1N 964B VZ= 13.0 5% .40W	2	-	D18,D36
23		1110491-01	1N 3889R PIV=50 I=12A D04	2	2	D4,D6
24		1110713-00	SZ710910 VZ= 5.1 2% M	2	2	D12,D15
25		1110856-00	1N 970B VZ= 24.0 5% .40W Y	1	1	D5
26		1111205-00	SCREENED VZ= 5.7 2% .40W	1	1	D2

REVISION HISTORY		BASIC PART NO: 5413607		DRN:	J.FERGUSON	DATE:	06-AUG-80	DIGITAL			
ENG	ECO NUMBER	REV	SECTION A OF A	CHK'D:	J.FERGUSON	DATE:	06-AUG-80	TITLE PARTS LIST			
	TW005	H	SECTION VARIATION INDEX					MEMORY REG			
			[A] 00, YA								
			[B]								
			[C]	DES.ENG:	B.WOLF	DATE:	06-AUG-80				
			[D]								
			[E]					DOCUMENT NUMBER			
			[F]	RESP.ENG.:	B.WOLF	DATE:	06-AUG-80				
			[G]					SIZE	CODE	NUMBER	REV
			[H]								
			[I]	MFG.ENG.:	P.WAITKUS	DATE:	06-AUG-80	K	PL	5413607-0-DBP	H
			[J]								
			[K]								
			[L]								
			[M]	ASSEMBLY NUMBER:		TOP DOCUMENT NUMBER:		FILE NAME:		EDIT #:	
			[N]	D-UA-5413607-0-0		B-DD-5413607-0-0		Z0403H.PLS		38	

"THIS DRAWING AND SPECIFICATIONS HEREIN, ARE THE PROPERTY OF DIGITAL EQUIPMENT CORPORATION AND SHALL NOT BE REPRODUCED OR COPIED OR USED IN WHOLE OR IN PART AS THE BASIS FOR THE MANUFACTURE OR SALE OF ITEMS WITHOUT WRITTEN PERMISSION. COPYRIGHT (C) 1980. DIGITAL EQUIPMENT CORPORATION "

TW

LINE	ITEM	DOCUMENT NUMBER	PART NUMBER	DESCRIPTION	QTY	PER	VARIATION	REFERENCE DESIGNATOR
					00	YA		
27	27		1114602-00	UES1302 PIV=100V I= 4A	1	1		D3
28	28		1110968-00	2N 5062 SCR@100V I=.8A T092	3	3		Q4,Q12,Q26
29	29		1010978-40	.22 MFD 50V 10% CER	2	2		C23,C42
30	30		1210929-02	FUSE, SUB-MINI 1.000A, 125V, A	1	1		F3
31	31		1205747-00	FUSE, SUB-MINI, 5.000A, 125V, A	2	2		F1,F2
32	32		1216112-03	HEADER.100 50POS RT ANGLE	1	1		J1
33	33		1305127-00	4.0 K .25 W 1.0 % RN55D-F10	2	2		R77,R85
34	34		1304856-00	4.64 K .25 W 1.0 % RN55D-F10	1	1		R72
35	35		1304854-00	5.11 K .25 W 1.0 % RN55D-F10	2	2		R94,R111
36	36		1300391-00	1.50 K .25 W 5.0 % CC	2	2		R34,R83
37	37		1300316-00	470.0 .25 W 5.0 % CC	3	3		R29,R49,R66
38	38		1300447-00	4.70 K .25 W 5.0 % CC	6	6		R99,R107,R112,R88,R89,R108
39	39		1300229-00	100.0 .25 W 5.0 % CC	9	9		R11,R17,R24,R26,R35,R53,R54, CONT R106,R114
40	40		1301317-00	10.0 .25 W 5.0 % CC	1	1		R21
41	41		1300364-00	1.0 K .50 W 5.0 % CC	1	1		R12
42	42		1300171-00	10.0 1.0 W 5.0 % CC	2	2		R25,R36
43	43		1313014-00	.01 3.75 W 3.0 % WW	1	1		R14
44	44		1301864-00	390.0 2.0 W 5.0 % CC	1	1		R28
45	45		1300479-00	10.0 K .25 W 5.0 % CC	5	5		R4,R33,R55,R96,R98
46	46		1309595-00	1.0 M .25 W 5.0 % CC	2	2		R7,R38
47	47		1303114-00	1.0 K .25 W 1.0 % RN55D-F10	6	6		R2,R3,R61,R69,R70,R101
48	48		1313842-00	48.70 K .25 W 1.0 % RN55D-F10	1	-		R5
			CONT		-	2		R5,R39
49	49		1300365-00	1.0 K .25 W 5.0 % CC	16	16		R1,R16,R19,R56-R58,R64,R67,R82, CONT R87,R93,R100,R110,R115,R116,R118
50	50		1301522-00	27.0 .25 W 5.0 % CC	3	3		R15,R18,R27
51	51		1305114-00	3.48 K .25 W 1.0 % RN55D-F10	1	-		R47
			CONT		-	1		R120
52	52		1301890-00	560.0 .25 W 5.0 % CC	3	3		R65,R90,R117
53	53		1300426-00	2.70 K .25 W 5.0 % CC	2	2		R50,R121
54	54		1211751-00	FUSE, SUB-MINI, 2.000A, 125V, A	1	1		F4
55	55		1305128-00	5.62 K .25 W 1.0 % RN55D-F10	2	-		R68,R73
			CONT		-	1		R68
56	56		1303044-00	100.0 K .25 W 1.0 % RN55D-F10	1	1		R45
57	57		1309787-00	249.0 .25 W 1.0 % RN55E-F 2	1	1		R62
58	58		1310876-03	.05 5.0 W 3.0 % WW	1	1		R22
59	59		1305124-00	287.0 .25 W 1.0 % RN55D-F10	2	2		R10,R20
60	60		1310631-00	2.21 K .25 W 1.0 % RN55D-F10	1	1		R9
61	61		1313341-00	5.36 K .25 W 1.0 % RN55D-F10	1	-		R105
			CONT		-	2		R105,R73
62	62		1302612-00	1.78 K .25 W 1.0 % RN55D-F10	1	1		R92
63	63		1300202-00	47.0 .25 W 5.0 % CC	2	2		R23,R30
64	64		9006801-00	SPACER, HEX, ALUM, .138 ID X .3	1	1		
65	65		1311845-00	487.0 .25 W 1.0 % RN55D-F10	4	4		R13,R40,R41,R52
66	66		1305265-00	39.20 K .25 W 1.0 % RN55D-F10	1	-		R39
67	67		1310876-00	.02 5.0 W 3.0 % WW	1	1		R37
68	68		1312984-00	187.0 K .25 W 1.0 % RN55D-F10	1	1		R42

! D ! I ! G ! I ! T ! A ! L !	TITLE	SECTION A OF A	! SIZE ! CODE !	DOCUMENT NUMBER	! REV !
	MEMORY REG		! K ! FL !	5413607-0-DBP	! H !

TW

LINE ITEM	DOCUMENT NUMBER	PART NUMBER	DESCRIPTION	QTY	PER VARIATION	REFERENCE DESIGNATOR
				00	YA	
69	69	9006026-01	SCREW,PAN,PHIL 6-32X 3/4 SS	1	1	
70	70	1300440-00	3.30 K .50 W 5.0 % CC	1	1	R31
71	71	1312929-00	62.0 .25 W 5.0 % CC	2	2	R59,R119
72	72	1305252-00	68.10 K .25 W 1.0 % RN55D-F10	2	2	R71,R122
73	73	1305325-00	8.25 K .25 W 1.0 % RN55D-F10	1	1	R76
74	74	9006653-00	WASHER, FLAT, .375 O.D. X .156 I	1	1	
75	75	9107560-03	WIRE,BUSS,18AWG	A/R	A/R	
76	76	1305346-00	27.0 K .25 W 5.0 % CC	2	2	R8,R113
77	77	1310634-00	2.67 K .25 W 1.0 % RN55D-F10	2	-	R80,R103
78	78	1310632-00	2.37 K .25 W 1.0 % RN55D-F10	1	1	R102
79	79	1301874-00	5.60 K .25 W 5.0 % CC	2	2	R95,R97
80	80	1300444-00	3.90 K .25 W 5.0 % CC	1	1	R78
81	81	BLANK	*** THIS ITEM IS NOT USED ***	-	-	
82	82	1303155-00	21.50 K .25 W 1.0 % RN55D-F10	1	1	R75
83	83	1314041-00	3.01 K .25 W 1.0 % RN55D-F10	1	1	R74
84	84	1312931-00	6.20 K .25 W 5.0 % CC	4	4	R51,R81,R86,R109
85	85	1000016-00	100.0 MMF 100V 5%200PPM MICA	3	3	C1,C12,C13
86	86	1304833-00	1.96 K .25 W 1.0 % RN55D-F10	1	1	R79
87	87	1305322-00	7.50 K .25 W 1.0 % RN55D-F10	1	1	R60
88	88	1312545-00	2.32 K .25 W 1.0 % RN55D-F10	1	1	R46
89	89	1300433-00	3.0 K 1.0 W 5.0 % CC	1	1	R32
90	90	1302398-00	470.0 K .25 W 5.0 % CC	1	1	R6
91	91	1000023-00	330.0 MMF 100V 5%200PPM MICA	1	1	C27
92	92	1302465-00	18.0 K .25 W 5.0 % CC	1	1	R48
93	93	1303047-00	464.0 .25 W 1.0 % RN55D-F10	1	1	R84
94	94	1305422-00	137.0 K .25 W 1.0 % RN55D-F10	2	2	R43,R44
95	95	1301838-00	120.0 1.0 W 5.0 % CC	1	1	R104
96	96	9107370-00	WIRE,STRND,14AWG,IPVC UL1534	A/R	A/R	
97	97	9008150-00	TERM LUG 1POS LOCKING,SOLDER	2	2	
98	98	BLANK	*** THIS ITEM IS NOT USED ***	-	-	
99	99	9007201-00	TRANSIPADS #10253	4	4	
100	100	9008268-00	COMPOUND, THERMAL JOINT	A/R	A/R	
101	101	1510928-00	C32AX135 SCR@100V I=25A	1	1	Q3
102	102	1505867-00	2N 4441 SCR@ 50V & 8A	2	2	Q6,Q25
103	103	1305108-00	1.47 K .25 W 1.0 % RN55D-F10	1	-	R120
104	104	1510969-00	2N 5038 NPN 140WC SI 90 50 Y	1	1	Q5
105	105	1510708-00	D 45H8 PNP 50WT SI 60 60 Y	2	2	Q2,Q8
106	106	1510959-00	2N 3725 NPN 3.5WC SI 50 60 P	1	1	Q11
107	107	1510706-01	B 55 PNP 500MW SI 60 50	3	3	Q17,Q20,Q24
108	108	1513490-00	2N 4403 PNP 350MW SI-40 30	3	3	Q1,Q15,Q27
109	109	1509524-00	2N 3904 NPN 310MW SI 40 40 M	8	8	Q10,Q16,Q18,Q19,Q21,Q22,Q23,Q28
110	110	1512652-00	2N 6490 PNP 50W SI 60 40	1	1	Q13
111	111	1501913-00	2N 2904A PNP 600MW SI 60 40 Y	2	2	Q7,Q14
112	112	1914473-02	7815A VOLT REG, FIX +15V	1	1	E3
113	113	1914156-00	LM 393 VOLT.COMPARATOR DUAL	3	3	E1,E2,E4
114	114	1912107-00	324 OP AMP,QUAD	1	1	E6
115	115	1911944-00	555CN TIMER,FUNCT.BLOCK	4	4	E7-E10
116	116	1912858-00	LS221 ONE SHOT-DUAL,SCHMIT	1	1	E5

! D ! I ! G ! I ! T ! A ! L !	! TITLE	! SECTION A OF A	! ! SIZE ! CODE !	! DOCUMENT NUMBER	! REV !
! ! ! ! ! ! ! !	! MEMORY REG	! ! ! ! ! ! ! !	! K ! PL !	! 5413607-0-DBP	! H !

TW

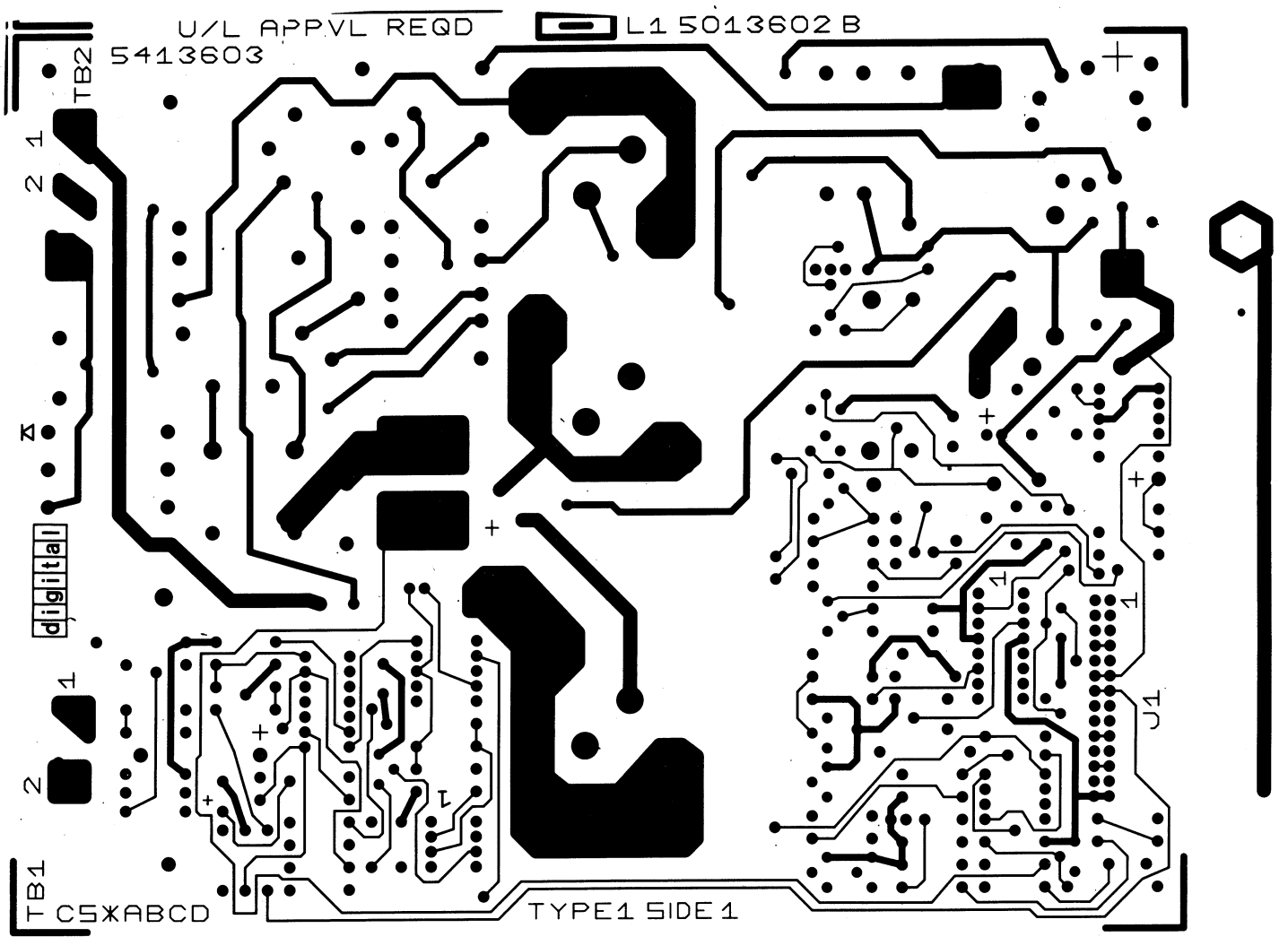
LINE	ITEM	DOCUMENT NUMBER	PART NUMBER	DESCRIPTION	QTY PER VARIATION		REFERENCE DESIGNATOR
					00	YA	
117	117		1616212-00	80.0 UH 12.5A	1	1	L1
118	118		1616210-00	250.0 UH @ 6.5A DC,600,0 UH @	1	1	L2
119	119		1616211-00	350.0 UH 3A	1	1	L3
120	120		7422046-00	HEAT SINK,SINGLE	3	3	
121	121		7422047-01	HEAT SINK DOUBLE	2	2	
122	122		1213426-03	HEAT SINK TO-3 1"HIGH	1	1	
123	123		1214789-00	INSERT,THREADED 6-32 ,BRASS,ELEC	2	2	
124	124		9009769-00	WASHER, RECTANGULAR .405X.225X.0	3	3	
125	125		9010128-00	SCREW,TAPPING,TYPE PAN ,PHIL,	7	7	
126	126		9006024-01	SCREW,PAN,PHIL 6-32X 1/2 SS	2	2	
127	127		9006011-01	SCREW,PAN,PHIL 4-40X 3/8 SS	3	3	
128	128		9006689-00	WASHER, LOCK, S.S. #4	3	3	
129	129		9006556-00	NUT,HEX , 4-40X1/4 AF X 3/	3	3	
130	130		9006041-01	SCREW,PAN,PHIL 8-32X 3/4 SS	2	2	
131	131		9006802-00	SPACER, HEX, ALUM, .164 ID X .3	2	2	
132	132		9006656-00	WASHER, FLAT, .312 O.D. X .156 I	2	2	
133	133		9007801-00	WASHER, LOCK, S.S. #6	3	3	
134	134		9006690-00	WASHER, LOCK, S.S. #8	2	2	
135	135		9006660-00	WASHER, FLAT, .375 O.D. X .187 I	2	2	
136	136		9009005-00	NUT,HEX , 10-32 X1/4 AF X 3	2	2	
137	137		9007906-00	WASHER, LOCK S.S. #10	2	2	
138	138		9009185-00	JUMPER, WIRE, INSULATED, BLACK B	-	2	W1,W2
139	139	BLANK		*** THIS ITEM IS NOT USED ***	-	-	
140	140		1509700-00	2N 4036 PNP 7WC SI 80100 M	1	1	Q9
141	141	BLANK		*** THIS ITEM IS NOT USED ***	-	-	
142	142		1314187-00	6.19 K .25 W 1.0 % RN55D-F10	1	1	R91
143	143	BLANK		*** THIS ITEM IS NOT USED ***	-	-	
144	144		9107688-55	WIRE(WRAP)24AWG UL1327	A/R	A/R	
145	145		1110766-00	1N 5248B VZ= 18.0 5% .50W	-	2	D18,D36
146	146		1309413-00	3.83 K .25 W 1.0 % RN55D-F10	-	2	R80,R103
147	147		1305145-00	2.80 K .25 W 1.0 % RN55D-F10	-	1	R47
148	148		1312993-00	20.0 1.0 W 5.0 % CC	1	1	R123

149 NOTE: ITEM #75; .17' IS USED.
 150 NOTE: ITEM #144; .19' IS USED.
 151 NOTE: ITEM #96; .56' IS USED.

!	!	!	!	!	!	!	!	!	!	!	!	!	!	!	!	!	!	!	!	!	!	!			
D	I	G	I	T	A	L																			
TITLE											MEMORY REG					SECTION A OF A				SIZE CODE		DOCUMENT NUMBER		REV	
K											PL					5413607-0-DBP				H					

TW

"THIS DRAWING AND SPECIFICATIONS, HEREIN, ARE THE PROPERTY OF DIGITAL EQUIPMENT CORPORATION AND SHALL NOT BE REPRODUCED OR COPIED OR USED IN WHOLE OR IN PART AS THE BASIS FOR THE MANUFACTURE OR SALE OF ITEMS WITHOUT WRITTEN PERMISSION. COPYRIGHT © 1979 DIGITAL EQUIPMENT CORPORATION"



REVISIONS		
CHK	CHANGE NO.	REV.

TITLE	NUMBER	REV.
MEMORY INVERTER	DUA 5413603-0-0	C
SCALE 2/1	SHEET 3 OF 5	DIST.

REV. C
NUMBER
DUA 5413603-0-0

8

7

6

5

4

3

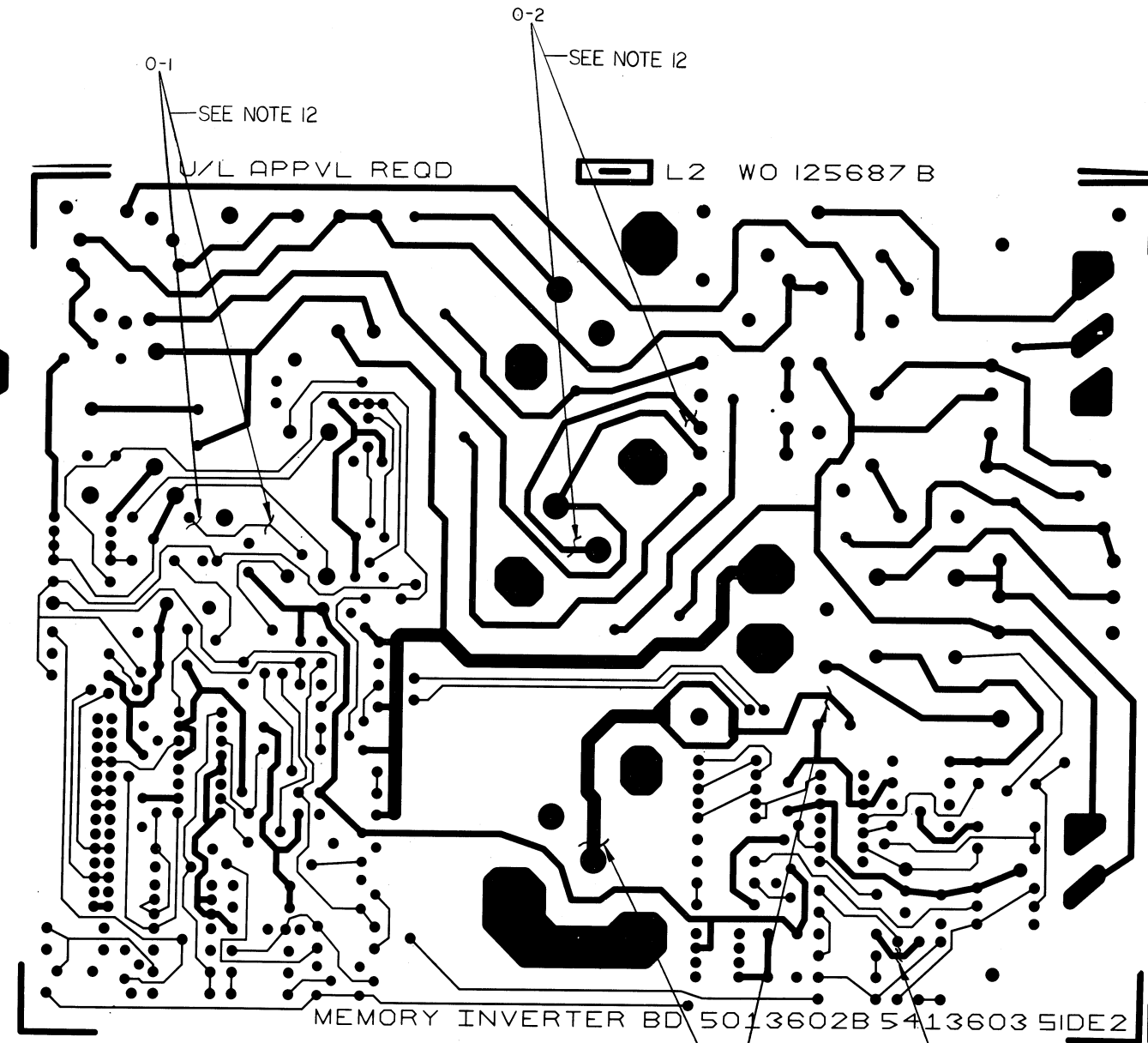
REV. C NUMBER 5413603-0-0

1

"THIS DRAWING AND SPECIFICATIONS, HEREIN, ARE THE PROPERTY OF DIGITAL EQUIPMENT CORPORATION AND SHALL NOT BE REPRODUCED OR COPIED OR USED IN WHOLE OR IN PART AS THE BASIS FOR THE MANUFACTURE OR SALE OF ITEMS WITHOUT WRITTEN PERMISSION. COPYRIGHT © 1974 DIGITAL EQUIPMENT CORPORATION"

D
C
B
A

D
C
B
A



0-1
SEE NOTE 12

0-2
SEE NOTE 12

L2 WO 125687 B

0-4
SEE NOTE 12

0-3

MEMORY INVERTER BD 5013602B 5413603 SIDE 2

REV. C NUMBER 5413603-0-0

REVISIONS		
CHK	CHANGE NO.	REV.

TITLE	SIZE CODE	NUMBER	REV.
MEMORY INVERTER	D UA	5413603-0-0	C
SCALE 2/1	SHEET 4 OF 5	DIST.	

tu

8

7

6

5

4

3

2

1

8

DUA 5413603-0-0

6

5

4

3

2

1

"THIS DRAWING AND SPECIFICATIONS, HEREIN, ARE THE PROPERTY OF DIGITAL EQUIPMENT CORPORATION AND SHALL NOT BE REPRODUCED OR COPIED OR USED IN WHOLE OR IN PART AS THE BASIS FOR THE MANUFACTURE OR SALE OF ITEMS WITHOUT WRITTEN PERMISSION. COPYRIGHT © 1975 DIGITAL EQUIPMENT CORPORATION"

REWORK INSTRUCTIONS

ETCH CUTS SIDE 2:

- 0-1 FROM R15 TO PTH BETWEEN C15 & R28. (REMOVE ENTIRE ETCH BETWEEN CUT MARKS)
- 0-2 FROM Q14/BASE TO D16/CATHODE. (REMOVE ENTIRE ETCH BETWEEN CUT MARKS)
- 0-3 FROM R53 TO R55
- 0-4 FROM D11/ANODE TO PTH CONNECTING TO TB2-1. (REMOVE ENTIRE ETCH BETWEEN CUT MARKS).

WIRE ADDS SIDE 1:

- 0-5 FROM R53 TO E3-3
- 0-6 FROM R66 TO R59
- 0-7 FROM PTH CLOSER TO R68 TO D11/ANODE. (USE ITEMS 127 & 129)
- 0-8 FROM D16/CATHODE TO Q14/BASE. (USE ITEMS 127 & 129)
- 0-9 FROM D4/CATHODE TO PTH BETWEEN C4 & R29
- 0-10 FROM R27 TO R15

D

D

C

C

B

B

A

A

REV. C
NUMBER 5413603-0-0
SIZE CODE DUA

REVISION HISTORY

DATE	ECO NUMBER	REV.

TITLE
MEMORY INVERTER

SIZE CODE	NUMBER	REV.
DUA	5413603-0-0	C
SCALE	SHEET 5 OF 5	

DRD 137A

8

7

6

5

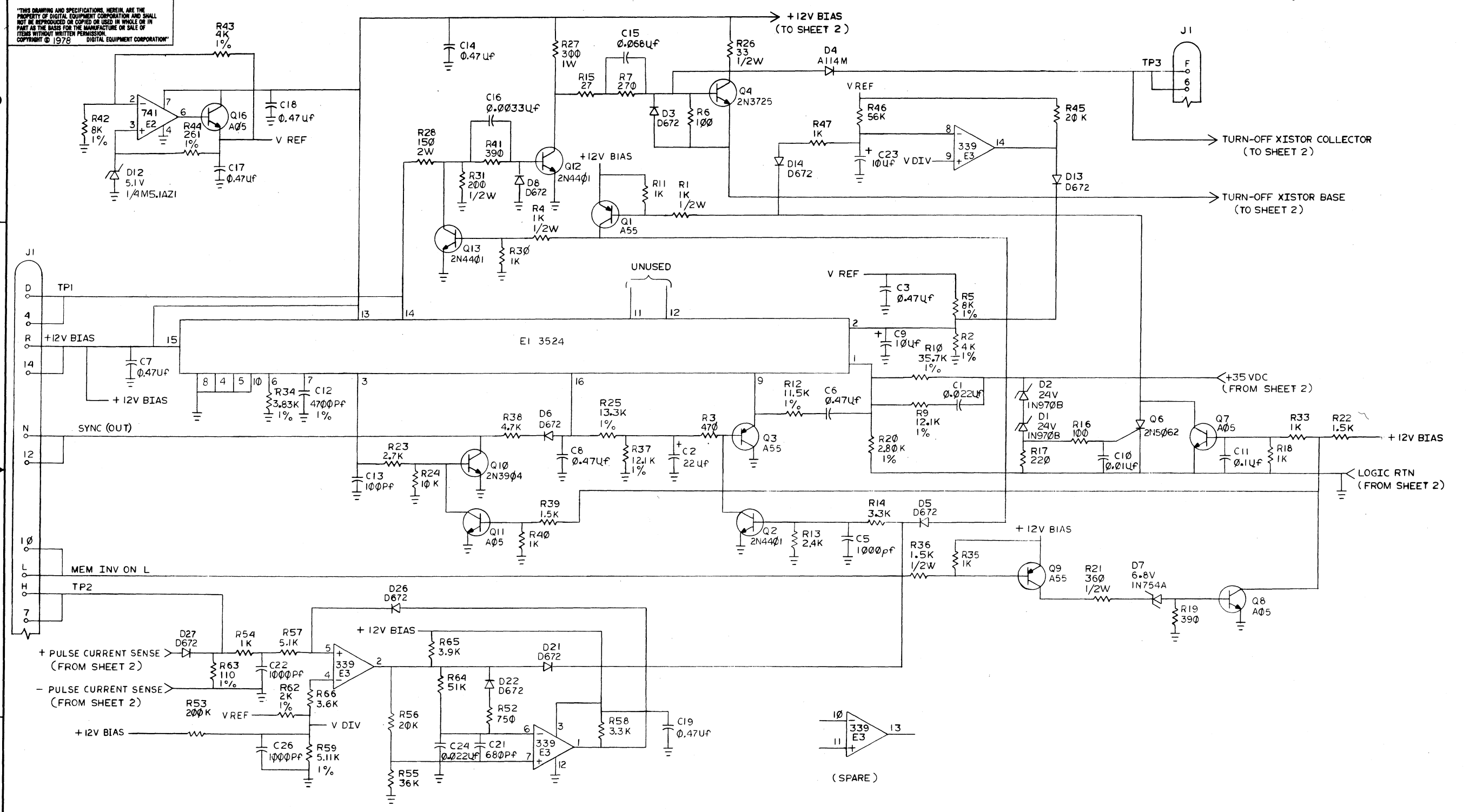
4

3

2

1

fw



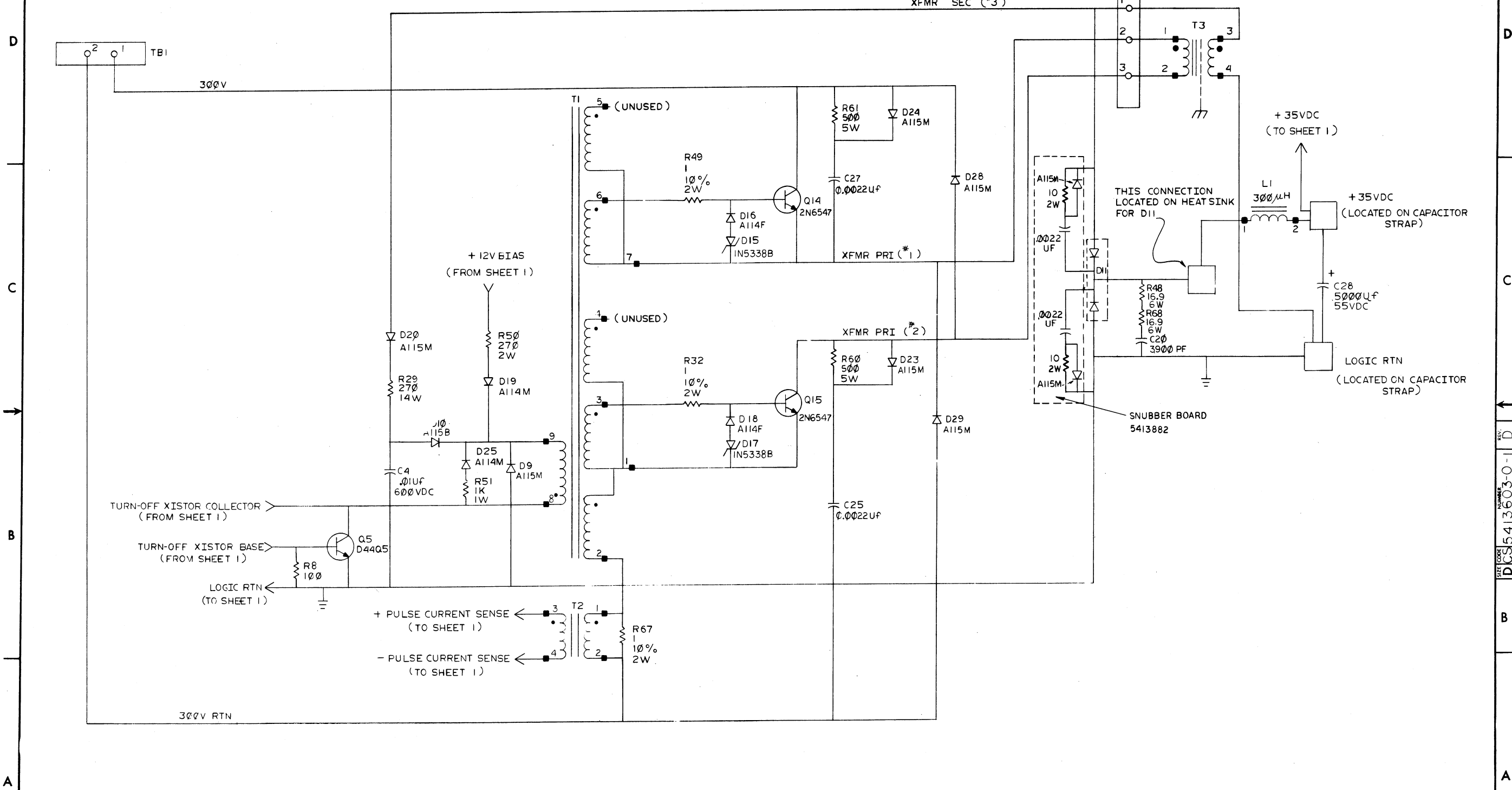
"THIS DRAWING AND SPECIFICATIONS HEREIN ARE THE PROPERTY OF DIGITAL EQUIPMENT CORPORATION AND SHALL NOT BE REPRODUCED OR COPIED OR USED IN WHOLE OR IN PART AS THE BASIS FOR THE MANUFACTURE OR SALE OF ITEMS WITHOUT WRITTEN PERMISSION. COPYRIGHT © 1978 DIGITAL EQUIPMENT CORPORATION"

REV.	DATE	BY	CHKD
1	29 APR 80	R. RICHARD	
2	29 APR 80	R. RICHARD	
3	9 SEP 80	R. RICHARD	

DRN. <i>Ray Janner</i>	12-6-78	FIRST USED ON	digital
CHK'D <i>J. J. ...</i>	7-27-79	TITLE	MEMORY INVERTER
PROJ. ENG. <i>R. ...</i>	7-27-79	SIZE	D
PROD. <i>F. ...</i>	7-15-79	CODE	CS 5413603-0-1
NEXT HIGHER ASSY.		NUMBER	D
SCALE		REV.	D
SHEET 1	OF 2	DIST.	

TW 1

"THIS DRAWING AND SPECIFICATIONS, HEREIN, ARE THE PROPERTY OF DIGITAL EQUIPMENT CORPORATION AND SHALL NOT BE REPRODUCED OR COPIED OR USED IN WHOLE OR IN PART AS THE BASIS FOR THE MANUFACTURE OR SALE OF ITEMS WITHOUT WRITTEN PERMISSION. COPYRIGHT © 1978 DIGITAL EQUIPMENT CORPORATION"



REVISIONS		
CHK	CHANGE NO.	REV.

TITLE	MEMORY INVERTER	SIZE CODE	D CS	NUMBER	5413603-0-1	REV.	D
SCALE	+	SHEET	2	OF	2	DIST.	

LINE	ITEM	DOCUMENT NUMBER	PART NUMBER	DESCRIPTION	QTY PER VARIATION	REFERENCE DESIGNATOR
					00	
1	1	D-MD-5013602-0-0	5013602-00	DRILL & ETCH BD	1	
2	2		1000016-00	100.0 MMF 100V 5%200PPM MICA	1	C13
3	3		1000052-00	.068 MFD 100V 10% MYLR	1	C15
4	4		1012783-00	.022 MFD 50V +80-20% CER	1	C24
5	5		1005636-00	22 MFD 6V 10% S.TANT	1	C2
6	6		1009312-00	.0047 MFD 100V 1% MYLR	1	C12
7	7		1010279-00	.47 MFD 25V 20% CER	8	C7,C18,C19,C8,C14,C17,C3,C6
8	8		1010978-24	.01 MFD 50V 10% CER	1	C10
9	9		1011740-01	3300.0 MMF 50V 10% CER	1	C16
10	10		1011683-00	.022 MFD 50V 10% CER	1	C1
11	11		1013466-08	680.0 MMF 50V 10% X7R CER	1	C21
12	12		1013466-09	1000.0 MMF 50V 10% X7R CER	3	C5,C22,C26
13	13		1011847-02	.01 MFD 600V 10% POLYPROP	1	C4
14	14		1014139-00	.0022 MFD 600V 10% POLYPROP	2	C25,C27
15	15		1013397-00	3900.0 MMF 200V 10%200PPM MICA	1	C20
16	16		1016168-00	5000 MFD 55V 20% AL EL	1	C28
17	17		1010978-36	.1 MFD 50V 10% CER	1	C11
18	18		1010866-02	10 MFD 25V +50-20% S.TANT	2	C9,C23
19	19		1105275-00	D 672 TR= 15NS PIV= 60V SI	10	D26,D27,D21,D22,D8,D5,D3,D14, CONT D13,D6
20	20		1105871-00	1/4M5.1AZ1 = 5.1 1% .25W N	1	D12
21	21		1109991-00	1N 754A VZ= 6.8 5% .40W	1	D7
22	22		1110856-00	1N 970B VZ= 24.0 5% .40W Y	2	D1,D2
23	23		1112594-01	A115B PIV=200 I= 3A	1	D10
24	24		1112594-02	A115M PIV=600 I= 3A	6	D24,D20,D23,D28,D29,D9
25	25		1112595-00	A114F PIV= 50 I= 1A	2	D16,D18
26	26		1112595-02	A114M PIV=600 I= 1A	3	D25,D4,D19
27	27		1114192-00	TR=200NS COM. CATHODE	1	D11
28	28		1114435-00	1N 5338B VZ= 5.1 5% 5W	2	D15,D17
29	29		1110968-00	2N 5062 SCR@100V I=.8A T092	1	Q6

REVISION HISTORY			BASIC PART NO: 5413603			DRN: K.SHEYTANIAN DATE: 20-DEC-78			DIGITAL		
ENG	ECD NUMBER	REV	SECTION A OF A	CHK'D:	F.GAROFALO	DATE:	TITLE	PARTS LIST			
---	INIT	A	SECTION.VARIATION INDEX	CHK'D:	F.GAROFALO	DATE:					
RW	5413603-TW001	B	[A] 00				MEMORY INVERTER				
AK	5413603-TW002	C	[B]								
AK	5413603-TW002	C	[C]	DES.ENG:	J.A.HERRMANN	DATE:					
RW	5413603-TW003	D	[D]								
			[E]								
			[F]	RESP.ENG.:	J.HERMANN	DATE: 20-DEC-78					
			[H]				SIZE CODE NUMBER	REV			
			[J]								
			[K]	MFG.ENG.:	J.COMELLA	DATE:	K PL	5413603-0-DBP	D		
			[L]								
			[M]	ASSEMBLY NUMBER:		TOP DOCUMENT NUMBER:	FILE NAME:	EDIT			
			[N]	D-UA-5413603-0-0			Z0401.PLS	18			

*THIS DRAWING AND SPECIFICATIONS HEREIN, ARE THE PROPERTY OF DIGITAL EQUIPMENT CORPORATION AND SHALL NOT BE REPRODUCED OR COPIED OR USED IN WHOLE OR IN PART AS THE BASIS FOR THE MANUFACTURE OR SALE OF ITEMS WITHOUT WRITTEN PERMISSION. COPYRIGHT (C) 1980. DIGITAL EQUIPMENT CORPORATION *

LINE ITEM	DOCUMENT NUMBER	PART NUMBER	DESCRIPTION	QTY PER VARIATION 00	REFERENCE DESIGNATOR
30	30	1216112-01	HEADER.100 28POS RT ANGLE	1	J1
31	31	1214789-00	INSERT,THREADED 6-32 ,BRASS,ELEC	7	
32	32	1216269-01	TERM SPADE 1POS SOLDER STRIP	5	
33	33	1216314-00	HEAT SINK	1	
34	34	1216314-01	HEAT SINK	2	
35	35	1309679-00	16.90 6.0 W 1.0 % WW	2	R48,R68
36	36	1300195-00	33.0 .50 W 5.0 % CC	1	R26
37	37	1300229-00	100.0 .25 W 5.0 % CC	3	R16,R6,R8
38	38	1300250-00	*** THIS ITEM IS NOT USED ***	-	
39	39	1300257-00	150.0 2.0 W 5.0 % CC	1	R28
40	40	1300271-00	220.0 .25 W 5.0 % CC	1	R17
41	41	1300292-00	300.0 1.0 W 5.0 % CC	1	R27
42	42	1300309-00	390.0 .25 W 5.0 % CC	2	R19,R41
43	43	1300316-00	470.0 .25 W 5.0 % CC	1	R3
44	44	1300364-00	1.0 K .50 W 5.0 % CC	2	R4,R1
45	45	1300365-00	1.0 K .25 W 5.0 % CC	8	R30,R11,R35,R18,R33,R40,R47,R54
46	46	1300394-00	1.50 K .50 W 5.0 % CC	1	R36
47	47	1300439-00	3.30 K .25 W 5.0 % CC	2	R58,R14
48	48	1300444-00	3.90 K .25 W 5.0 % CC	1	R65
49	49	1300447-00	4.70 K .25 W 5.0 % CC	1	R38
50	50	1300479-00	10.0 K .25 W 5.0 % CC	1	R24
51	51	1301401-00	750.0 .25 W 5.0 % CC	1	R52
52	52	1301522-00	27.0 .25 W 5.0 % CC	1	R15
53	53	1303169-00	500.0 5.0 W 5.0 % WW	2	R60,R61
54	54	1301972-00	270.0 .25 W 5.0 % CC	1	R7
55	55	1302873-00	261.0 .25 W 1.0 % RN55D-F10	1	R44
56	56	1302377-00	*** THIS ITEM IS NOT USED ***	-	
57	57	1302383-00	360.0 .50 W 5.0 % CC	1	R21
58	58	1302391-00	20.0 K .25 W 5.0 % CC	2	R56,R45
59	59	1304839-00	51.0 K .25 W 5.0 % CC	1	R64
60	60	1303114-00	*** THIS ITEM IS NOT USED ***	-	
61	61	1303313-00	12.10 K .25 W 1.0 % RN55D-F10	2	R37,R9
62	62	1305127-00	4.0 K .25 W 1.0 % RN55D-F10	2	R43,R2
63	63	1305129-00	8.0 K .25 W 1.0 % RN55D-F10	2	R42,R5
64	64	1305145-00	2.80 K .25 W 1.0 % RN55D-F10	1	R20
65	65	1305322-00	*** THIS ITEM IS NOT USED ***	-	
66	66	1305380-00	270.0 2.0 W 5.0 % CC	1	R50
67	67	1305421-00	35.70 K .25 W 1.0 % RN55D-F10	1	R10
68	68	1314350-00	1.0 2.0 W10.0 % FUSE	3	R32,R49,R67
69	69	1309413-00	3.83 K .25 W 1.0 % RN55D-F10	1	R34
70	70	1314172-00	270.0 14.0 W 5.0 % WW	1	R29
71	71	1300426-00	2.70 K .25 W 5.0 % CC	1	R23
72	72	1312565-00	13.30 K .25 W 1.0 % RN55D-F10	1	R25
73	73	1312923-00	*** THIS ITEM IS NOT USED ***	-	
74	74	1312930-00	5.10 K .25 W 5.0 % CC	1	R57
75	75	1312932-00	36.0 K .25 W 5.0 % CC	1	R55
76	76	1313151-00	3.60 K .25 W 5.0 % CC	1	R66
77	77	1313581-00	110.0 .25 W 1.0 % RN55D-F10	1	R63

! ! ! ! ! ! ! ! ! !	TITLE	! ! ! ! ! ! ! ! ! !	! ! ! ! ! ! ! ! ! !	! ! ! ! ! ! ! ! ! !
! ! ! ! ! ! ! ! ! !	MEMORY INVERTER	! ! ! ! ! ! ! ! ! !	SECTION A OF A	! ! ! ! ! ! ! ! ! !
! ! ! ! ! ! ! ! ! !		! ! ! ! ! ! ! ! ! !		! ! ! ! ! ! ! ! ! !
! ! ! ! ! ! ! ! ! !		! ! ! ! ! ! ! ! ! !		! ! ! ! ! ! ! ! ! !

LINE ITEM	DOCUMENT NUMBER	PART NUMBER	DESCRIPTION	QTY PER VARIATION 00	REFERENCE DESIGNATOR
78	78	1300389-00	*** THIS ITEM IS NOT USED ***	-	
79	79	1302381-00	200.0 .50 W 5.0 % CC	1	R31
80	80	1300368-00	1.0 K 1.0 W 5.0 % CC	1	R51
81	81	1300391-00	1.50 K .25 W 5.0 % CC	2	R39,R22
82	82	1302395-00	56.0 K .25 W 5.0 % CC	1	R46
83	83	1510705-00	XA 05 NPN 500MW SI 60 50 P	4	Q7,Q8,Q11,Q16
84	84	1510706-00	XA 55 PNP 500MW SI 60 50 P	3	Q1,Q3,Q9
85	85	1510959-00	2N 3725 NPN 3.5WC SI 50 60 P	1	Q4
86	86	1513489-00	2N 4401 NPN 350MW SI 40 20	3	Q2,Q12,Q13
87	87	1514195-00	2N 6547 PNP 400V SI 15A	2	Q14,Q15
88	88	1514271-01	D 44Q5 NPN 31W SI225 30	1	Q5
89	89	1509524-00	2N 3904 NPN 310MW SI 40 40 M	1	Q10
90	90	1614202-00	XFMR,CURRENT	1	T2
91	91	1614204-00	PULSE XFMR 20312 BASE DRIVE	1	T1
92	92	1910298-00	741 OP AMP GEN PURP. COM	1	E2
93	93	1912108-00	339 VOLT CMPRTR,QUAD	1	E3
94	94	1914250-00	3524 MODULATOR-REGULATING	1	E1
95	95	7422046-00	HEAT SINK,SINGLE	1	
96	96	9006025-01	SCREW,PAN,PHIL 6-32X 5/8 SS	4	
97	97	9006656-00	WASHER, FLAT, .312 O.D. X .156 I	8	
98	98	9007801-00	WASHER, LOCK, S.S. #6	9	
99	99	9007836-00	EYELET, ROLLED FLANGE, .121 OD X	6	
100	100	9010128-00	SCREW,TAPPING,TYPE PAN,PHIL,	1	
101	101	7016051-00	TRANSFORMER ASSY	1	T3
102	102	7016052-00	CHOKE ASSY	1	L1
103	103	1303177-00	2.40 K .25 W 5.0 % CC	1	R13
104	104	1302860-00	11.50 K .25 W 1.0 % RN55D-F10	1	R12
105	105	1304854-00	5.11 K .25 W 1.0 % RN55D-F10	1	R59
106	106	1300411-00	2.0 K .25 W 1.0 % RN55D-F10	1	R62
107	107	7421435-00	MTG BRKT	1	
108	108	9009052-00	*** THIS ITEM IS NOT USED ***	-	
109	109	7422045-00	CAPACITOR STRAP	2	
110	110	9009708-00	SCREW,PAN,PHIL,TAP'G 6-32X	8	
111	111	9009617-00	TIE,CABLE BUNDL,DIA 0-3"TYPE=101	2	
112	112	9007035-00	GROMMET #122-37-1500	A/R	
113	113	9006070-01	SCREW,PAN,PHIL 10-32X 5/16 SS	2	
114	114	9007906-00	WASHER, LOCK S.S. #10	2	
115	115	9009243-00	*** THIS ITEM IS NOT USED ***	-	
116	116	9006024-01	SCREW,PAN,PHIL 6-32X 1/2 SS	1	
117	117	9009769-00	WASHER, RECTANGULAR .405X.225X.0	1	
118	118	9006011-01	SCREW,PAN,PHIL 4-40X 3/8 SS	1	
119	119	9006688-00	WASHER, LOCK, S.S. #4	1	
120	120	9006556-00	NUT,HEX , 4-40X1/4 AF X 3/	1	
121	121	9008268-00	COMPOUND, THERMAL JOINT	A/R	
122	122	9007201-00	TRANSIPADS #10253	1	
123	123	9105740-55	WIRE(WRAP)30AWG UL1423	A/R	
124	124	9007036-00	GROMMET #122-37-2500	A/R	
125	125	1314516-00	200.0 K .25 W 5.0 % CC	1	R53

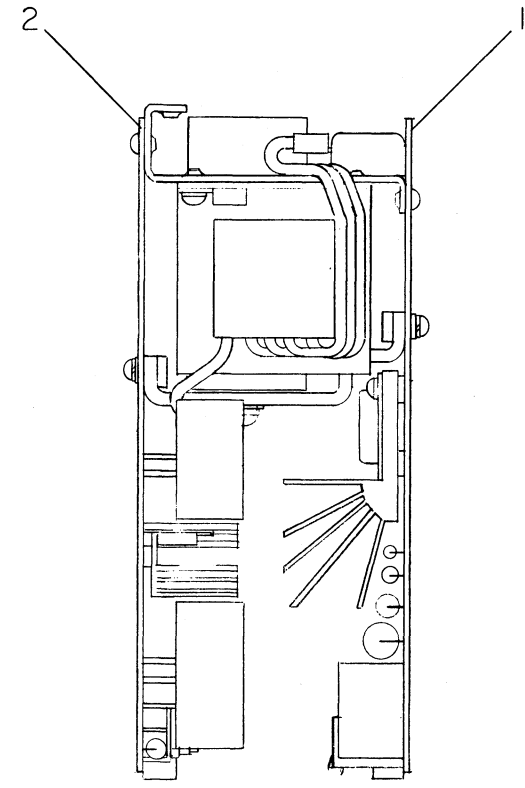
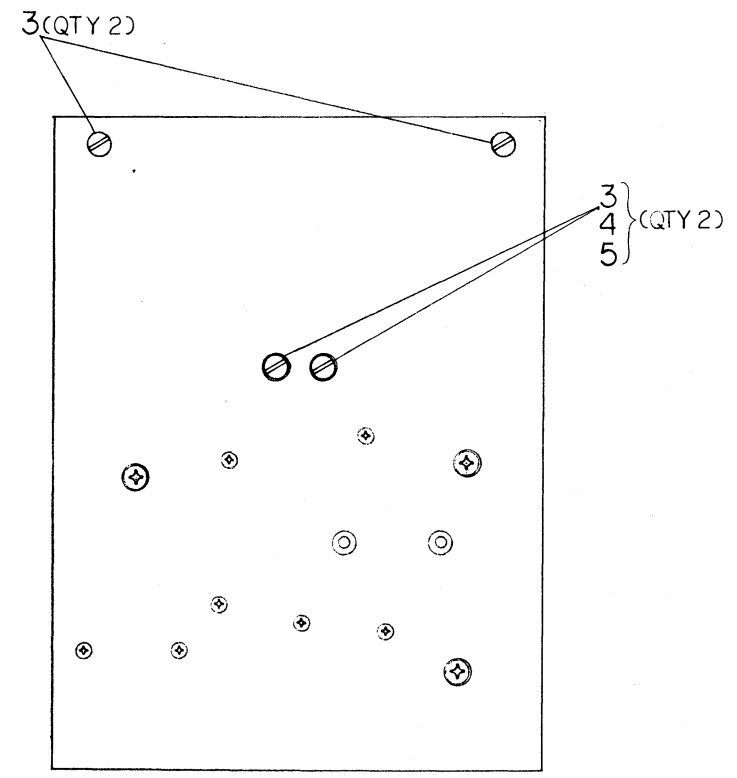
D	I	G	I	T	A	L	TITLE	SECTION A OF A	SIZE	CODE	DOCUMENT NUMBER	REV
							MEMORY INVERTER		K	PL	5413603-0-DBP	D

LINE ITEM	DOCUMENT NUMBER	PART NUMBER	DESCRIPTION	QTY PER VARIATION 00	REFERENCE DESIGNATOR
126	126	9009157-00	ADH, LIQ. RM. TEMP CURING COLORLESS	A/R	
127	127	9107256-11	TUBING, THIN WALL, .027ID UL	A/R	
128	128	7016920-00	JUMPER ASSY	1	
129	129	9107560-01	WIRE, BUSS, 22AWG	A/R	
130	130	9006565-00	NUT, KEP , 10-32X 3/8 AF	1	
131	131	5413882-00	SNV SNUBBER	1	
132	132	9007853-01	SCREW, PAN, PHIL 6-32X1-1/8 SS	2	
133	133	9006803-00	SPACER, HEX, ALUM, .138 ID X .5	2	

- 134 NOTE: ITEM #123; .52' IS USED.
- 135 NOTE: ITEM #124; .08' IS USED.
- 136 NOTE: ITEM #127; .56' IS USED.
- 137 NOTE: ITEM #129; .37' IS USED.

D	I	G	I	T	A	L	TITLE	SECTION A OF A	SIZE	CODE	DOCUMENT NUMBER	REV
							MEMORY INVERTER		K	PL	5413603-0-DBP	D

"THIS DRAWING AND SPECIFICATIONS, HEREIN, ARE THE PROPERTY OF DIGITAL EQUIPMENT CORPORATION AND SHALL NOT BE REPRODUCED OR COPIED OR USED IN WHOLE OR IN PART AS THE BASIS FOR THE MANUFACTURE OR SALE OF ITEMS WITHOUT WRITTEN PERMISSION. COPYRIGHT © 1979, DIGITAL EQUIPMENT CORPORATION"



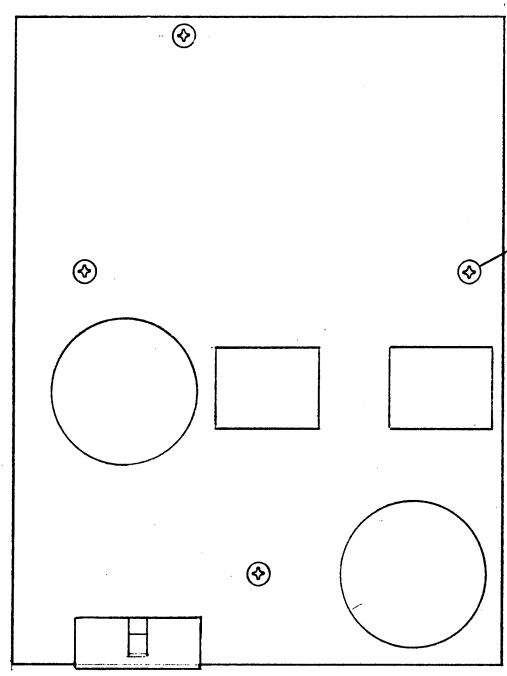
2	WASHER, FLAT #6	9006656-00	5
2	WASHER, LOCK, S.S. #6	9007801-00	4
4	SCREW, PAN HD, SELF TAP #6-32 X .31 LG	9009708-00	3
1	MEMORY REGULATOR BOARD	5413607-00	2
1	MEMORY INVERTER BOARD	5413603-00	1

DESCRIPTION	DWG./PART NO.	ITEM NO.						
UNLESS OTHERWISE SPECIFIED DIMENSIONS ARE IN INCHES								
ANGLES 90°/30°	CLASS OF ACCURACY	NOMINAL DIMENSION RANGE INCHES						
SURFACE QUALITY IN	(CHECK ONE)	OVER 0 TO 0.2	OVER 0.2 TO 1.2	OVER 1.2 TO 4.0	OVER 4.0 TO 12.0	OVER 12.0 TO 40.0	OVER 40.0 TO 80.0	
	MEDIUM	±.004	±.008	±.012	±.016	±.024	±.04	
QUANTITY & VARIATION	MICROINCHES	PREFERRED	±.012	±.016	±.025	±.04	±.063	±.1

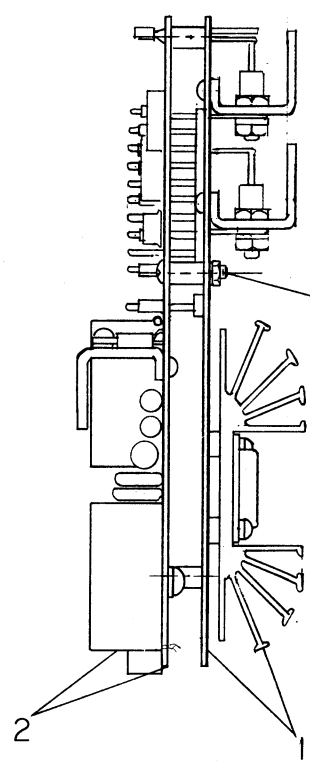
THIRD ANGLE PROJECTION	DRN. <i>A. Mowbray</i> 6-6-79	FIRST USED ON H7140	digital
REMOVE BURRS AND BREAK SHARP CORNERS	CHK'D <i>[Signature]</i> 12/1/79	TITLE H7140	
DO NOT SCALE DWG	ENG. <i>[Signature]</i> 12/1/79	MEMORY VOLTAGE ASSY	
MATERIAL SEE PARTS LIST	PROJ. ENG. <i>[Signature]</i> 12/1/79		
FINISH <i>H</i>	NEXT HIGHER ASSY.		
SCALE NONE	SIZE CODE <i>D</i>	NUMBER <i>AD 7016050-0-0</i>	REV. <i>*</i>
SHEET <i>1</i> OF <i>1</i>	DIST.		

REVISIONS	REV.
CHANGE NO.	
CHK	

"THIS DRAWING AND SPECIFICATIONS, HEREIN, ARE THE PROPERTY OF DIGITAL EQUIPMENT CORPORATION AND SHALL NOT BE REPRODUCED OR COPIED OR USED IN WHOLE OR IN PART AS THE BASIS FOR THE MANUFACTURE OR SALE OF ITEMS WITHOUT WRITTEN PERMISSION. COPYRIGHT © 1975, DIGITAL EQUIPMENT CORPORATION"



4
3
2
1 } QTY 4



4
3
2
1 } REF

QTY	DESCRIPTION	DWG./PART NO.	ITEM NO.
4	NUT, HEX #6-32X.25 A.F.	9008957-00	6
4	WASHER, LOCK, S.S. #6	9007801-00	5
4	SCR, PHIL PAN HD #6-32X.69LG	9007794-01	4
4	SPACER, HEX. ALUM #6-32 X.38LG	9006844-00	3
1	LOGIC INVERTER CONT BD	5413601-00	2
1	LOGIC INVERTER BD	5413599-00	1

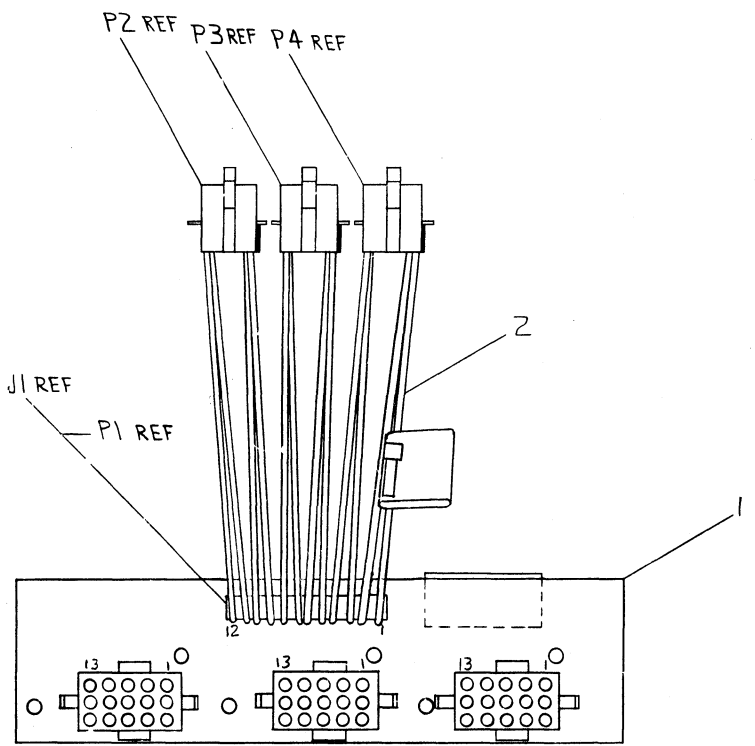
DESCRIPTION		DWG./PART NO.		ITEM NO.	
UNLESS OTHERWISE SPECIFIED DIMENSIONS ARE IN INCHES					
ANGLES ±0° 30'	CLASS OF ACCURACY	NOMINAL DIMENSION RANGE INCHES			
SURFACE QUALITY IN	(CHECK ONE)	OVER 0 TO 0.2	OVER 0.2 TO 1.2	OVER 1.2 TO 4.0	OVER 4.0 TO 12.0
✓ MEDIUM	<input type="checkbox"/> MEDIUM	±.004	±.008	±.012	±.016
✓ MICROINCHES	PREFERRED <input type="checkbox"/> MICROINCHES	±.012	±.016	±.025	±.04

THIRD ANGLE PROJECTION	DRN. <i>A. M...</i> 6-5-79	FIRST USED ON	H7140
REMOVE BURRS AND BREAK SHARP CORNERS	CHK'D <i>[Signature]</i> 2-9-77	TITLE	H7140 +5V INVERTER ASSY
DO NOT SCALE DWG	PROJ. ENG. <i>[Signature]</i> 12/4/79	SIZE	D
MATERIAL SEE PARTS LIST	SCALE NONE	NUMBER	AD 7016057-0-0
FINISH //	SHEET 1 OF 1	DIST.	

REVISIONS
CHANGE NO. REV.

"THIS DRAWING AND SPECIFICATIONS, HEREIN, ARE THE PROPERTY OF DIGITAL EQUIPMENT CORPORATION AND SHALL NOT BE REPRODUCED OR COPIED IN ANY MANNER OR IN ANY MEDIUM WITHOUT THE WRITTEN PERMISSION OF DIGITAL EQUIPMENT CORPORATION. COPYRIGHT © 1979, DIGITAL EQUIPMENT CORPORATION"

REV. 2
D AD 7016888-0-0



1	CABLE JUMPER ASSY	D-1A-7016887-00	2
1	POWER DIST. BOARD	D-UA-5413632-0-0	1

DESCRIPTION		DWG./PART NO.		ITEM NO.	
UNLESS OTHERWISE SPECIFIED DIMENSIONS ARE IN INCHES					
ANGLES ±0° 30'	CLASS OF ACCURACY	NOMINAL DIMENSION RANGE IN INCHES			
SURFACE QUALITY IN	(CHECK ONE)	OVER 0 TO 0.2	OVER 0.2 TO 1.2	OVER 1.2 TO 4.0	OVER 4.0 TO 12.0
		±.004	±.008	±.012	±.016
MICROINCHES	PREFERRED	±.012	±.016	±.025	±.04
		±.063	±.1		

THIRD ANGLE PROJECTION	DRN. <i>[Signature]</i>	FIRST USED ON	BAN-A digital
REMOVE BURRS AND BREAK SHARP CORNERS	CHK'D <i>[Signature]</i>	TITLE	POWER DISTRIBUTION BOARD ASSY
DO NOT SCALE DWG	ENG. <i>[Signature]</i>	SIZE CODE	D AD
MATERIAL	PROJ. ENG. <i>[Signature]</i>	NUMBER	7016888-0-0
FINISH	PROD. <i>[Signature]</i>	REV.	*
	NEXT HIGHER ASSY.	DIST.	

REV.	
CHANGE NO.	
CHK	

DWG FORM NO. 002 10-6-C

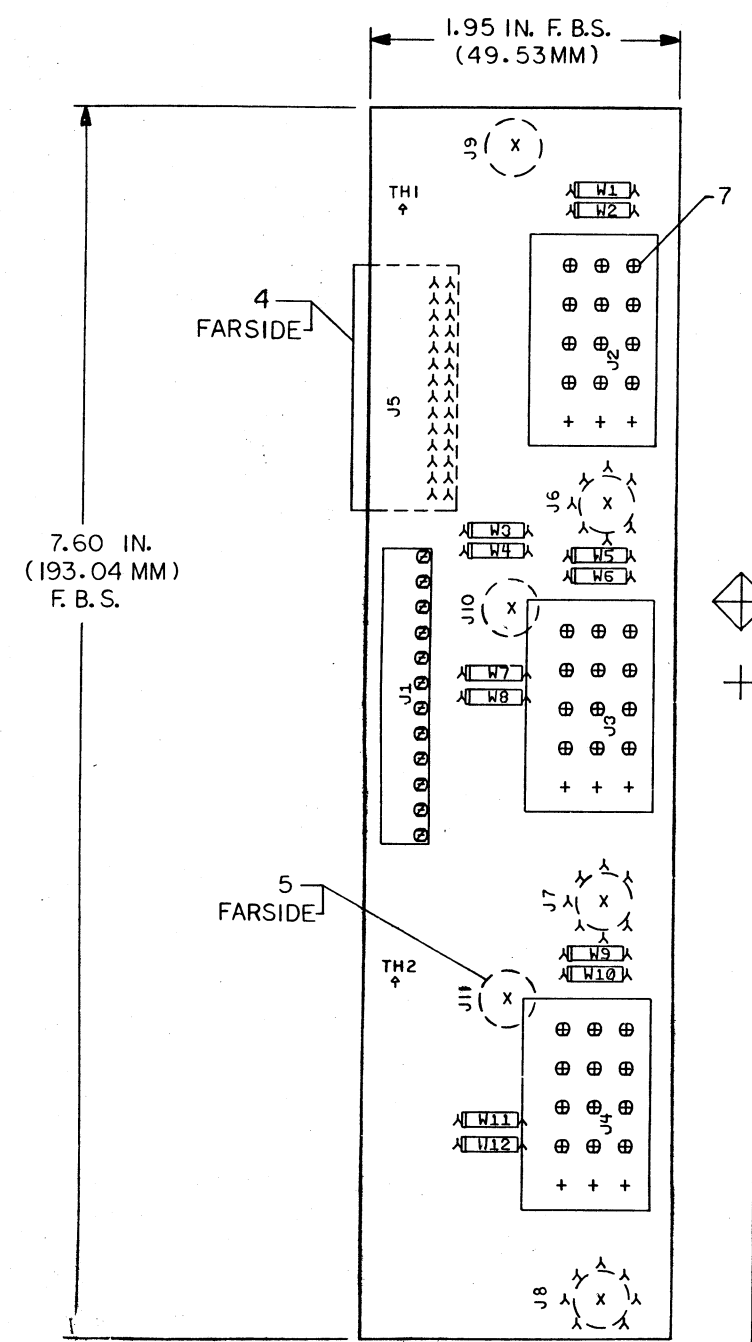
8 7 6 5 4 3 2 1

8 7 6 5 4 3 2 1

THIS DRAWING AND SPECIFICATIONS, HEREIN, ARE THE PROPERTY OF DIGITAL EQUIPMENT CORPORATION AND SHALL REMAIN THE PROPERTY OF SAID CORPORATION IN WHOLE OR IN PART. NO PART OF THIS DRAWING OR SPECIFICATIONS SHALL BE REPRODUCED OR TRANSMITTED IN ANY FORM OR BY ANY MEANS, ELECTRONIC OR MECHANICAL, INCLUDING PHOTOCOPYING, RECORDING, OR BY ANY INFORMATION STORAGE AND RETRIEVAL SYSTEM, WITHOUT THE WRITTEN PERMISSION OF DIGITAL EQUIPMENT CORPORATION.

DUA 5413632-0-0 2 1

COMPONENT SIDE VIEW



- NOTES:
- ITEM 4 (J5) MOUNT ON SIDE 2.
 - ITEM 5 MOUNT ON SIDE 2.

STEP 4 → Y AXIS 0.000 STEP 0 TIMES
 REPEAT → X AXIS 2.000 STEP 4 TIMES

CHK CHANGE NO	REV
	0

ETCH REV.	D-PI
-----------	------

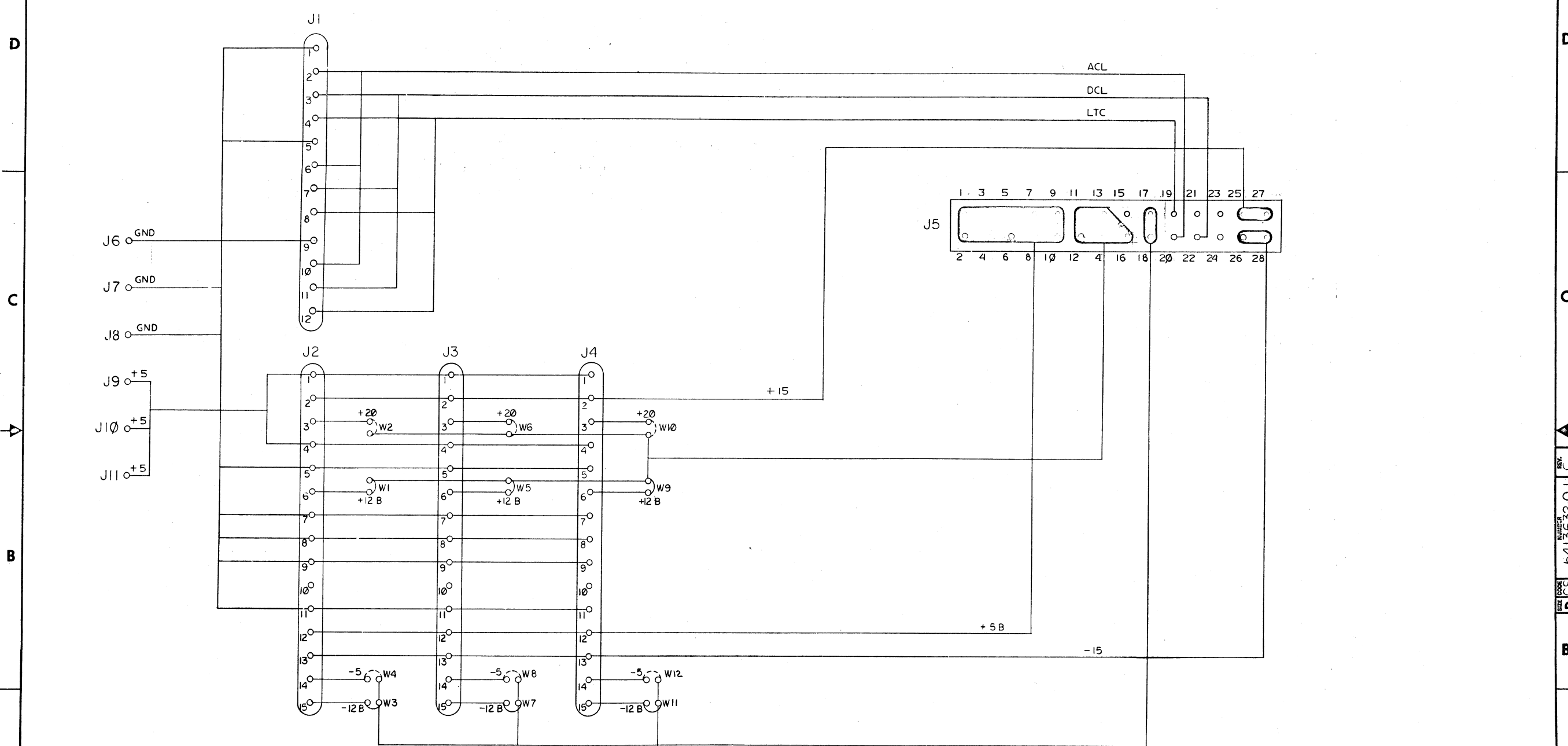
SIGNATURES	DATE
DRN. P. ...	10-24-79
CHK'D. E. T. ...	12-13-79
DESIGN. ENG. ...	11-22-79
PROD. ENG. ...	11-22-79
PROD. ...	11-22-79

digital	
TITLE BAI A POWER DISTRIBUTION	
SCALE 2/1	SIZE CODE NUMBER REV
SHT. 1 OF 1	D UA 5413632-0-0 C
NEXT HIGHER FSSV. D-DD-5413632-0	

TW 1 MS#17001DP1

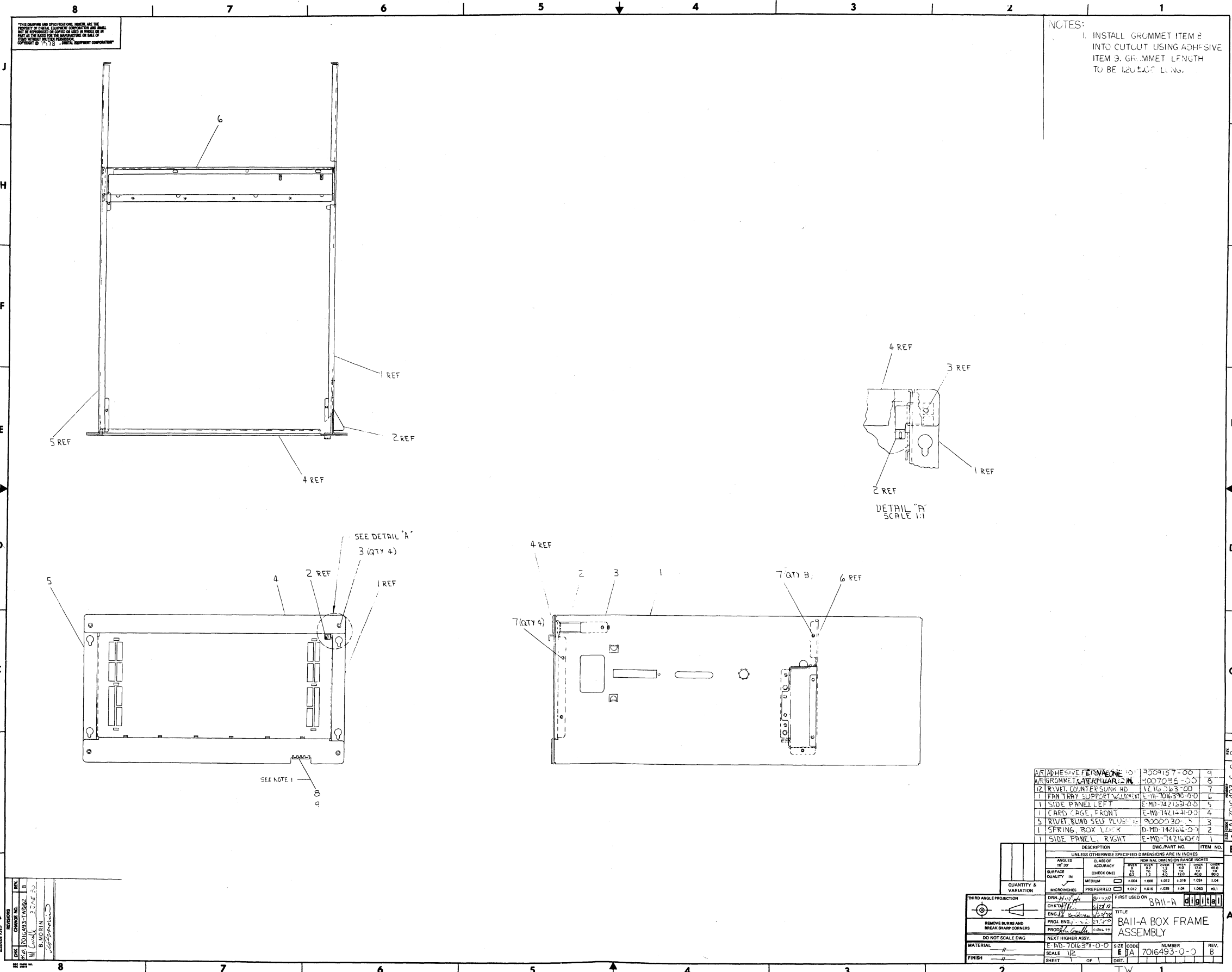
"THIS DRAWING AND SPECIFICATIONS, HEREIN, ARE THE PROPERTY OF DIGITAL EQUIPMENT CORPORATION AND SHALL NOT BE REPRODUCED OR COPIED OR USED IN WHOLE OR IN PART AS THE BASIS FOR THE MANUFACTURE OR SALE OF ITEMS WITHOUT WRITTEN PERMISSION.
 DIGITAL EQUIPMENT CORPORATION
 COPYRIGHT © 1979

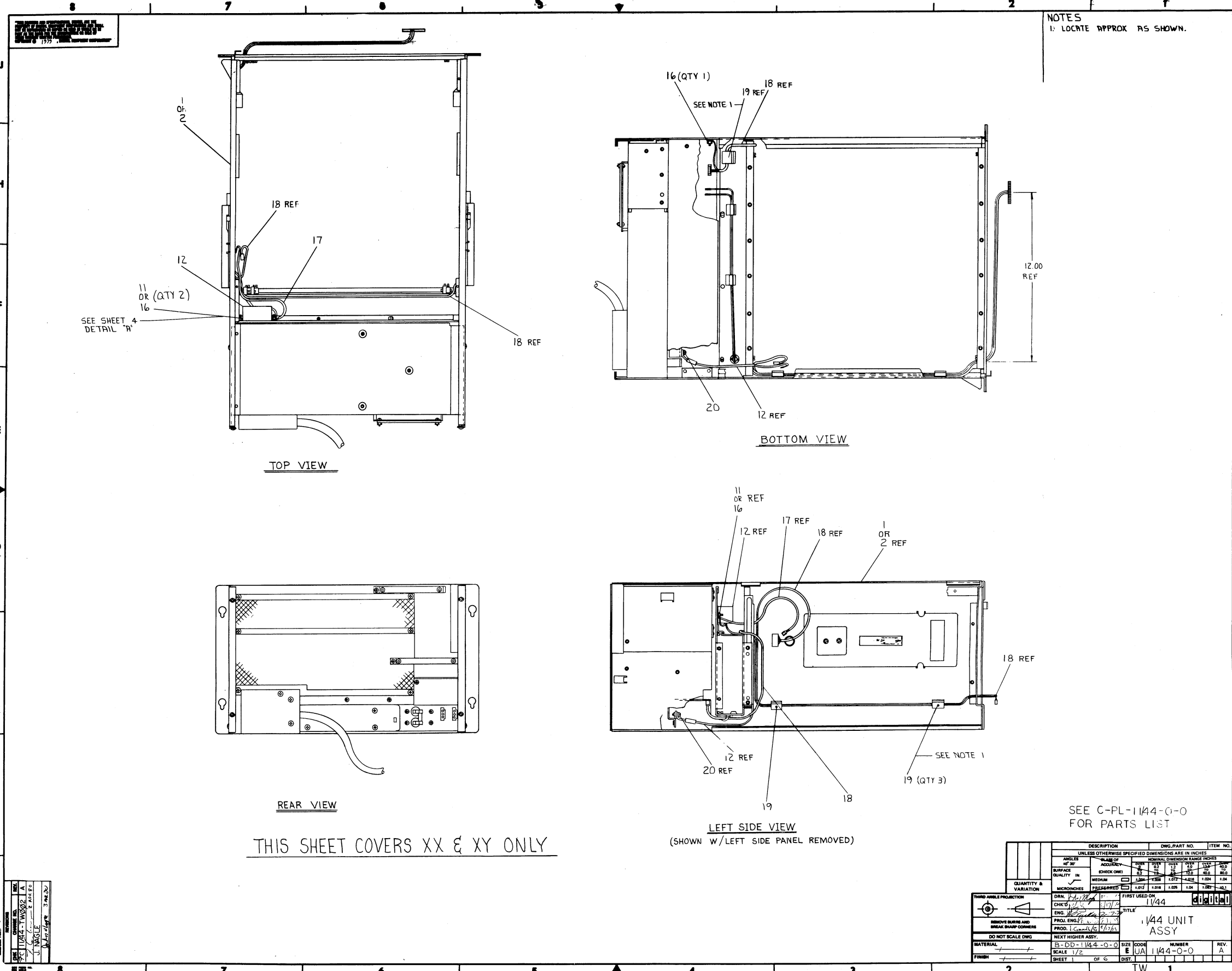
REV. C
 NUMBER 5413632-0-1
 SIZE DCS



REV. C
CHG. NO. TW
CHK. NO. TW

DRN. <i>D. H. K.</i>	13 MAR 79	FIRST USED ON	digital
CHK'D. <i>R. J. H.</i>	25 MAY 79	TITLE	BALI-A POWER DISTRIBUTION BOARD
ENG. <i>R. J. H.</i>	25 MAY 79	SIZE	DCS
PROJ. ENG. <i>R. J. H.</i>	25 MAY 79	NUMBER	5413632-0-1
PROD. <i>R. J. H.</i>	25 MAY 79	REV.	G
NEXT HIGHER ASSY.		DIST.	
SCALE			
SHEET 1 OF 1			





REV	DATE	BY	CHKD
1			
2			
3			
4			
5			
6			
7			
8			

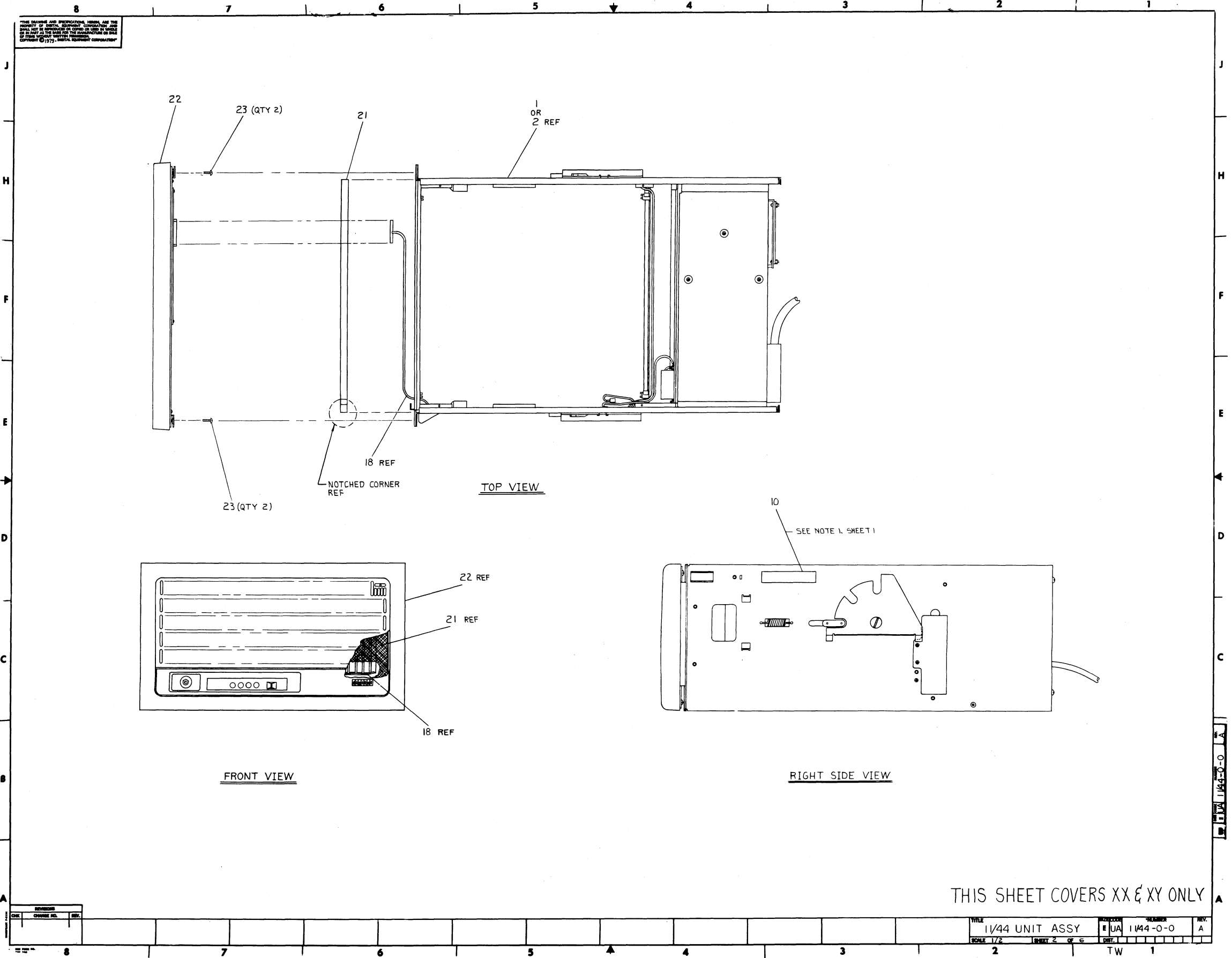
THIS SHEET COVERS XX & XY ONLY

NOTES
1: LOCATE APPROX AS SHOWN.

SEE C-PL-1144-0-0
FOR PARTS LIST

DESCRIPTION		QTY	UNIT	ITEM NO.
UNLESS OTHERWISE SPECIFIED DIMENSIONS ARE IN INCHES				
ANGLE	ACCURACY	FORM	FINISH	STAMP
30°	±0.005	1	1	1
SURFACE QUALITY IN MICROINCHES				
FINISH	PREPARED	1.00	1.00	1.00
QUANTITY & VARIATION				
DRN	CHKD	ENG	PROJ. ENGR	PROD. ENGR
11/44	11/44	11/44	11/44	11/44
TITLE				
1144 UNIT ASSY				
NEXT HIGHER ASSY.				
E-D-1144-0-0				
SCALE 1/2"				
SHEET 1 OF 1				

THIS DRAWING AND INFORMATION HEREON ARE THE PROPERTY OF GENERAL ELECTRIC COMPANY AND SHALL NOT BE REPRODUCED OR COPIED IN WHOLE OR IN PART AS THE BASIS FOR THE MANUFACTURE OR SALE OF ANYTHING WITHOUT WRITTEN PERMISSION OF GENERAL ELECTRIC COMPANY © 1973



TOP VIEW

FRONT VIEW

RIGHT SIDE VIEW

THIS SHEET COVERS XX & XY ONLY

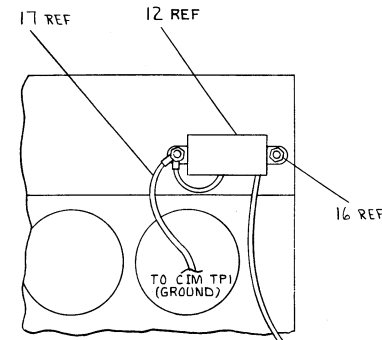
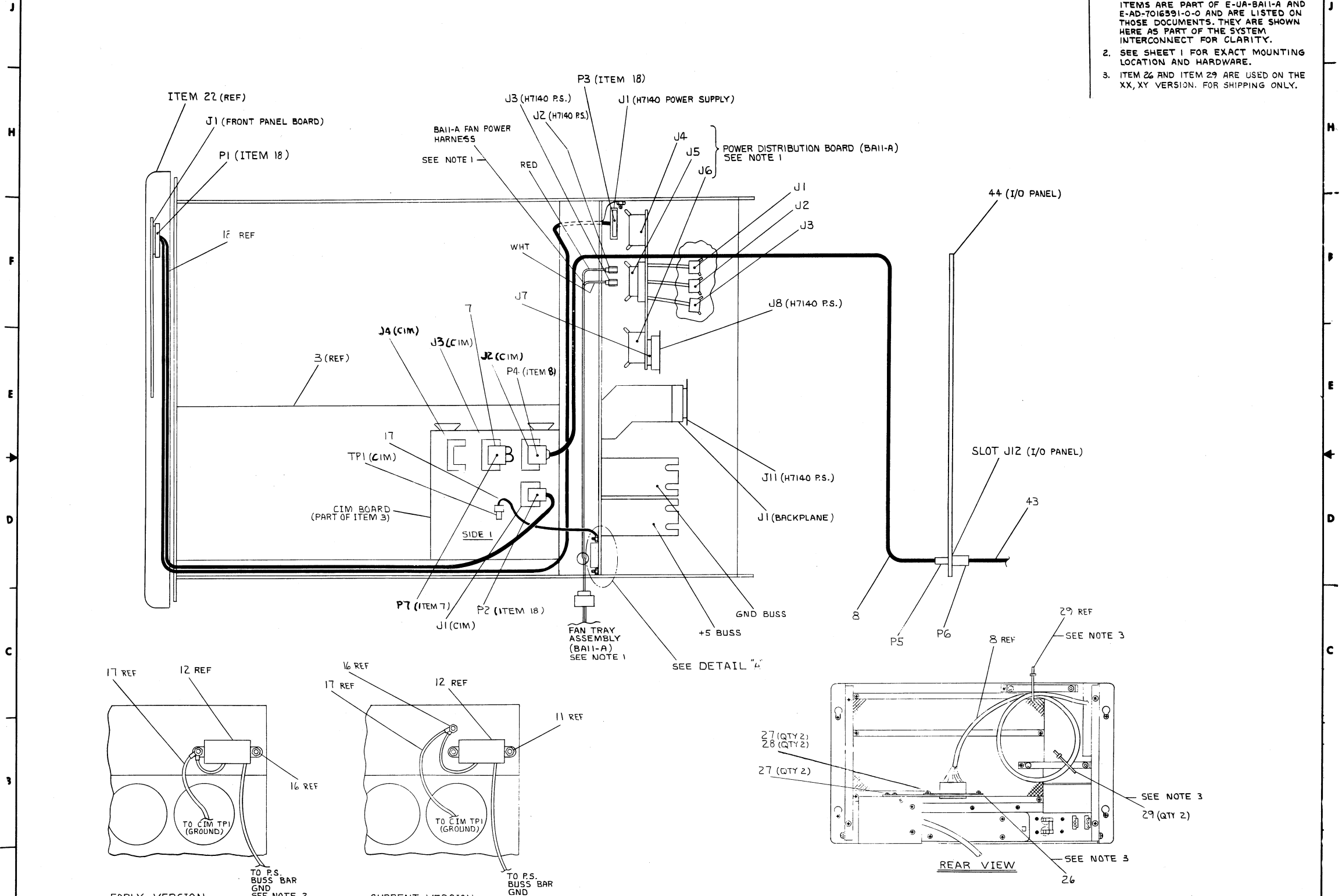
CHK	DATE	BY

TITLE	11/44 UNIT ASSY	DESIGNER	EUA	NUMBER	11/44-0-0	REV.	A
SCALE	1/2	SHEET	2	OF	6	DATE	
TW						1	

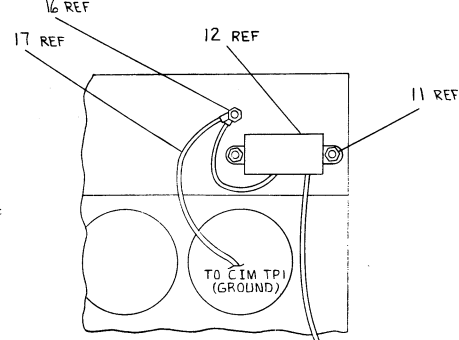
11/44-0-0

THIS SHEET AND FIGURES ARE PART OF THE DRAWING OF THE 1144 UNIT ASSEMBLY AND ARE NOT TO BE REPRODUCED OR TRANSMITTED IN ANY FORM OR BY ANY MEANS, ELECTRONIC OR MECHANICAL, INCLUDING PHOTOCOPYING, RECORDING, OR BY ANY INFORMATION STORAGE AND RETRIEVAL SYSTEM.

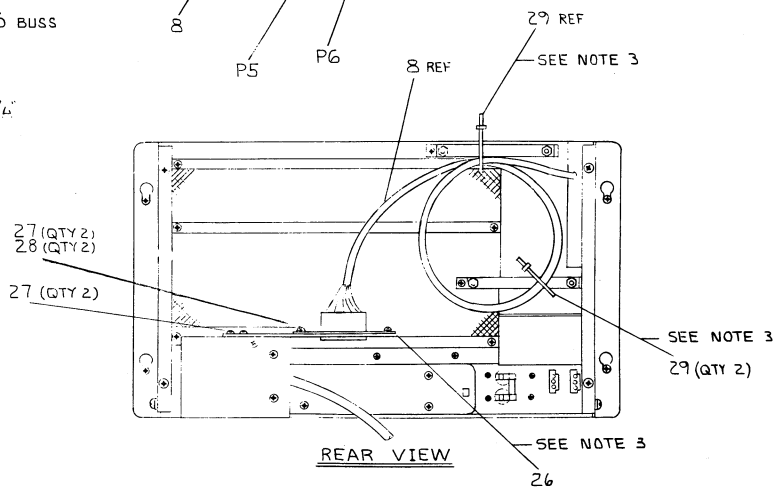
- NOTES:**
1. FAN POWER HARNESS, POWER DISTRIBUTION BOARD, AND FAN TRAY ASSEMBLY ARE NOT PART OF THE 1144 UNIT ASSY AND ARE NOT LISTED ON THE PARTS LIST. THESE ITEMS ARE PART OF E-UA-B111-A AND E-AD-7016991-0-0 AND ARE LISTED ON THOSE DOCUMENTS. THEY ARE SHOWN HERE AS PART OF THE SYSTEM INTERCONNECT FOR CLARITY.
 2. SEE SHEET 1 FOR EXACT MOUNTING LOCATION AND HARDWARE.
 3. ITEM 26 AND ITEM 29 ARE USED ON THE XX, XY VERSION. FOR SHIPPING ONLY.



EARLY VERSION
DETAIL A
 SCALE: NONE



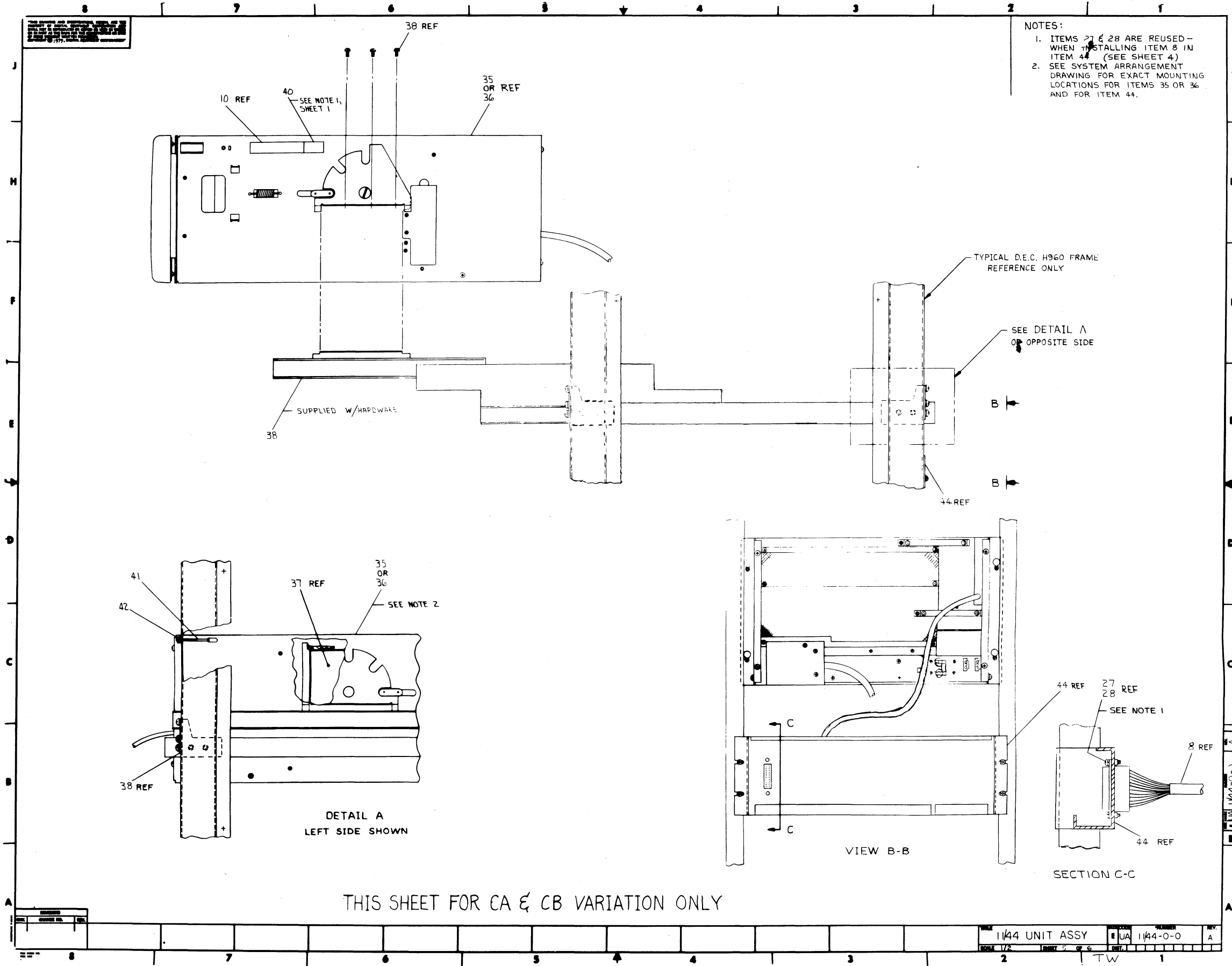
CURRENT VERSION
DETAIL A
 SCALE: NONE



THIS SHEET FOR VARIATIONS XX, XY & CA, CB

REV.	DESCRIPTION	DATE	BY	CHK.

TITLE	1144 UNIT ASSY	REV.	EUA	1144-0-0	REV.	A
SCALE	NONE	SHEET	4	OF	6	TW



NOTES:
 1. ITEMS 27 & 28 ARE REUSED—WHEN INSTALLING ITEM 8 IN ITEM 44 (SEE SHEET 4)
 2. SEE SYSTEM ARRANGEMENT DRAWING FOR EXACT MOUNTING LOCATIONS FOR ITEMS 35 OR 36 AND FOR ITEM 44.

1144-0-0

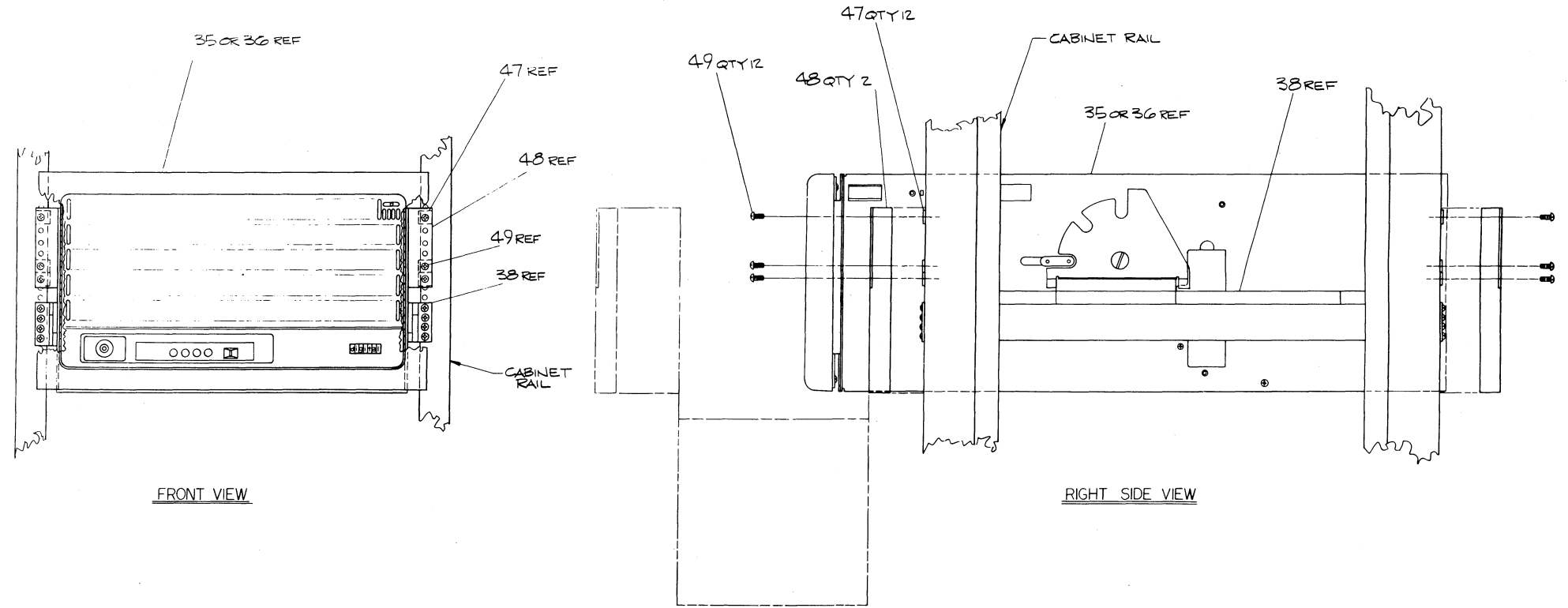
1144 UNIT ASSY	UA	1144-0-0	A
1/2	2	1	TW

THIS DRAWING AND SPECIFICATIONS HEREIN ARE THE PROPERTY OF DIGITAL EQUIPMENT CORPORATION AND SHALL NOT BE REPRODUCED OR COPIED IN WHOLE OR IN PART OR BE LOANED FOR THE MANUFACTURE OR SALE OF ITEMS WITHOUT WRITTEN PERMISSION. COPYRIGHT 1980 DIGITAL EQUIPMENT CORPORATION

SLIDE SHIPPING BRACKET INSTALLATION

1. INSURE THAT ALL NEEDED INSTALLATION MATERIAL AND EQUIPMENT IS AVAILABLE BEFORE ATTEMPTING INSTALLATION OF SHIPPING BRACKETS.
 2. THE FOLLOWING IS SUPPLIED AS PART OF THE 11/44-CA, CB.

ITEM NR.	QTY	DESCRIPTION
48	2	SLIDE SHIPPING BRACKETS
47	12	10-32 TINNEMAN NUTS
49	12	10-32 x 41 PHIL TRUSS HD SCREW
41	1	BOX RETAINING SHIP. BRACKET
42	1	10-32 KEPT NUT
 3. A #2 PHILLIPS SCREW DRIVER IN EXCESS OF 8" IN LENGTH IS REQUIRED FOR INSTALLATION.
 4. IT IS RECOMMENDED THAT TWO PEOPLE TAKE PART IN THE INSTALLATION.
 5. TAKE ONE SLIDE SHIPPING BRACKET AND PULL 11/44 BOX OUT OF CABINET ABOUT 4". SLIP BRACKET UP UNDERNEATH THE FRONT OF THE BOX, LOOKING TO THE RIGHT HAND SIDE OF THE BRACKET, MARK AT LEAST 3 HOLES THAT ALIGN WITH THE SHIPPING BRACKET MOUNTING HOLES.
 6. REMOVE SHIPPING BRACKET AND INSERT 3 TINNEMAN NUTS IN HOLES MARKED ON RIGHTHAND SIDE.
 7. REPEAT STEP 5 & 6 FOR THE FRONT LEFT HAND SIDE.
 8. MOUNT FRONT SHIPPING BRACKET USING 6, 10-32 SCREWS (3 ON EITHER SIDE) TO ACCOMPLISH THIS MOUNT RIGHT HAND SIDE FIRST AND THEN LEFT HAND SIDE. NOTE: UPWARD TENSION ON THE 11/44 MAY BE REQUIRED TO MOUNT THE SECOND SIDE (A SECOND PERSON MAY BE NEEDED TO ACCOMPLISH THIS).
 9. PUSH BOX IN SO THE BOX LOCK CATCHES ON THE FRONT CABINET RAIL.
 10. INSTALL BOX RETAINING SHIPPING BRACKET (1 BOLT) IN REAR OF CAB, HOOKING IT THROUGH THE BOX AND EXTENDING THREADED END THROUGH THE CAB RAIL, THEN INSERTING THE 10-32 KEPT NUT AS SHOWN ON SHEET 5 OF 6.
 11. TAKE THE SECOND SLIDE SHIPPING BRACKET AND SLIP IT UP UNDERNEATH THE BACK OF THE BOX, LOOKING TO THE RIGHT HAND SIDE, MARK AT LEAST 3 HOLES THAT ALLIGN WITH THE SHIPPING BRACKET. NOTE: TO ACCOMPLISH THIS A SECOND PERSON MAY BE NEEDED TO LIFT THE REAR OF THE BOX SO THE HOLES WILL ALLIGN.
 12. LOWER SLIDE SHIPPING BRACKET AND MARK THE LEFT HAND SIDE AS PREVIOUSLY STATED IN STEP 11
 13. NOW INSTALL 6 TINNEMAN NUTS (3 ON EITHER SIDE) IN HOLES MARKED
 14. MOUNT REAR SLIDE SHIPPING BRACKET, USING 6, 10-32 SCREWS.
- NOTE: A SECOND PERSON MAY BE NEEDED TO LIFT THE REAR OF THE BOX TO ALIGN THE MOUNTING HOLES.



THIS SHEET FOR CA-CB VERSION ONLY

REVISION HISTORY		
DATE	ECO NUMBER	REV.

DOCUMENT NUMBER		
REV.	ECO NUMBER	REV.
EUA	11/44-0-0	A

TITLE: 11/44 UNIT ASSY
SCALE: 1:2 SHEET 6 OF 6

THIS DRAWING AND SPECIFICATIONS, HEREIN ARE THE PROPERTY OF DIGITAL EQUIPMENT CORPORATION AND SHALL NOT BE REPRODUCED OR COPIED OR USED IN WHOLE OR IN PART AS THE BASIS FOR THE MANUFACTURE OR SALE OF ITEMS WITHOUT WRITTEN PERMISSION. COPYRIGHT © 1979, DIGITAL EQUIPMENT CORPORATION

Item No.	DWG/PART NO	DESCRIPTION	11/44-XX		11/44-XY		11/44-CF		11/44-CE	
1	E-UA-BA11-A-0	BA11-AA UNIT ASSY 115 V	1	-	-	-	-	-	-	-
2	E-UA-BA11-A-0	BA11-AB UNIT ASSY 230 V	-	1	-	-	-	-	-	-
3	B-DD-KD11-Z-0	KD11-Z PROCESSOR	1	1	-	-	-	-	-	-
4	B-DD-KK11-B-0	KK11-B CACHE	1	1	-	-	-	-	-	-
5	D-UA-6727-0-1	GRANT CONTINUITY	2	2	-	-	-	-	-	-
6	D-UA-M9302-0-1	UNIBUS TERMINATOR/SACK TURNAROUND	1	1	-	-	-	-	-	-
7	C-IA-7422428-0-0	LOOP BACK CONN.	1	1	-	-	-	-	-	-
8	D-IA-BC44A-0-0	FILTERED CABLE ASSY	1	1	-	-	-	-	-	-
9	A-DC-3616928-0-0	DECAL, MODULE LAYOUT	1	1	-	-	-	-	-	-
10	A-DC-3615180-0-0	DECAL, SERIAL TAG	1	1	-	-	-	-	-	-
11	9008185-00	KEPNUT, 6-32 SPECIAL	2	2	-	-	-	-	-	-
12	C-PS-1213304-0-0	GROUND INDUCTER	1	1	-	-	-	-	-	-
13	9006040-03	SCREW, 8-32 X .625	4	4	-	-	-	-	-	-
14	9008072-00	LOCKWASHER, #8 EXTERNAL TOOTH	4	4	-	-	-	-	-	-
15	9009701-00	SCREW, SEMS 6-32 X .31	8	8	-	-	-	-	-	-
16	9006563-00	KEPNUT #8-32	3	3	-	-	-	-	-	-
17	B-IA-7422393-0-0	WIRE ASSY	1	1	-	-	-	-	-	-
18	D-AD-7016487-0-0	CIM CABLE ASSY	1	1	-	-	-	-	-	-
19	9008442-00	CABLE CLAMP	3	3	-	-	-	-	-	-
20	9009642-00	SCREW, 8-32 X .25 INTERNAL SEMS	1	1	-	-	-	-	-	-
21	1216271-00	AIR FILTER	1	1	-	-	-	-	-	-
22	E-AD-7016501-0-0	CONSOLE/BEZEL ASSY	1	1	-	-	-	-	-	-
23	9006073-03	SCREW, #10-32 X .500	4	4	-	-	-	-	-	-
24	D-MD-7421614-0-0	TOP COVER	1	1	-	-	-	-	-	-
25	D-AD-7016479-0-0	BOTTOM COVER ASSY	1	1	-	-	-	-	-	-
26	C-MD-7423068-0-0	E.I.A. SHIPPING BRACKET	1	1	-	-	-	-	-	-
27	9009708-00	SCREW, 6-32 X .312 TAPTITE	4	4	-	-	-	-	-	-
28	9007801-00	LOCKWASHER, #6 SPLIT RING	2	2	-	-	-	-	-	-
29	9007032-00	TIE WRAP	2	2	-	-	-	-	-	-
30	A-PS-3615087-0-0	DECAL "DANGER"	1	1	-	-	-	-	-	-
31										
32										
33										
34										
35	E-UA-11/44-XX	11/44 UNIT ASSY, 115 V	-	-	-	-	1	-	-	-
36	E-UA-11/44-XY	11/44 UNIT ASSY, 230 V	-	-	-	-	-	1	-	-
37	D-UA-MS11-MB-0	MS11-MB (256 KB MOS ECC) MEM BOARD	-	-	-	-	1	1	-	-
38	E-PS-1216971-0-0	SLIDE KIT (1 PAIR W/HARDWARE)	-	-	-	-	1	1	-	-
39	A-SP-3700471-0-0	PACKAGING INSTRUCTIONS (SLIDES)	-	-	-	-	ref	ref	-	-
40	A-DC-3615946-0-0	DECAL, VARIATION CHANGE	-	-	-	-	1	1	-	-
41	C-MD-7413659-0-0	SHIPPING BRACKET	-	-	-	-	1	1	-	-
42	9006565	#10-32 KEPNUT	-	-	-	-	1	1	-	-
43	D-UA-BC03M-25	NULL MODEM CABLE 25'	-	-	-	-	1	1	-	-

REV.	CHANGE NO.	DATE
A	1	11/17/79
	2	11/17/79
	3	11/17/79

CHK: J. NAGLE
 J. NAGLE
 11/17/79

DRN. <i>11/17/79</i>	FIRST USED ON 11/44	digital
CHK'D <i>11/17/79</i>	TITLE	
ENG <i>11/17/79</i>	11/44 Unit Assy	
PROJ. ENG <i>11/17/79</i>		
PROD. <i>11/17/79</i>		
NEXT HIGHER ASSY.		
E-UA-11/44-0-0	SIZE CODE C	NUMBER PL 11/44-0-0
SCALE ++		REV. A
SHEET 1 OF 2	DIST.	

4 3 2 1

D

C

B

A

TW

THIS DRAWING AND SPECIFICATIONS, HEREIN ARE THE PROPERTY OF DIGITAL EQUIPMENT CORPORATION AND SHALL NOT BE REPRODUCED OR COPIED OR USED IN WHOLE OR IN PART AS THE BASIS FOR THE MANUFACTURE OR SALE OF ITEMS WITHOUT WRITTEN PERMISSION. COPYRIGHT © 1979, DIGITAL EQUIPMENT CORPORATION

ITEM NO.	DWG/PART NO	DESCRIPTION
44	D-AD-7017048-0-0	I/O PANEL KIT
45	A-PL-11/44-0-4	11/44 SHIPPING LIST
46	A-SP-3700505-0-0	PACKAGING INSTRUCTIONS (DOCK MERGE)
47	9007786-00	#10 TINNEMAN NUT
48	D-AD-7017641-0-0	BRACKET, SHIPPING
49	9006072-03	SCREW, #10 - 32 X .43 TRUSS HD

11/44-XX	11/44-XY	11/44-CA	11/44-CB
-	-	1	1
-	-	ref	ref
-	-	ref	ref
-	-	12	12
-	-	2	2
-	-	12	12

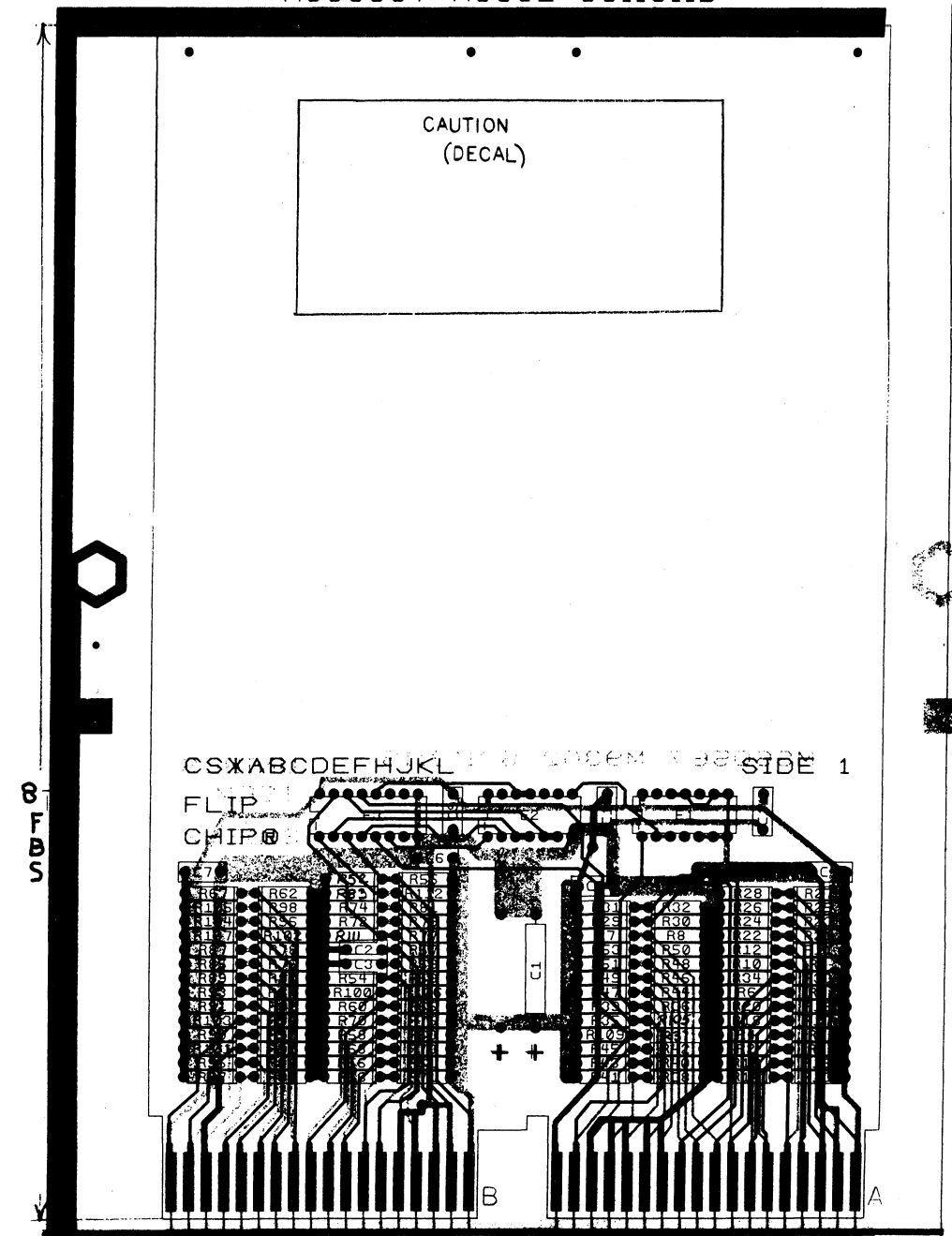
REV.	
CHANGE NO.	
CHK	

DRN. John Naele	13 Aug	FIRST USED ON	11/44	digital
CHK'D		TITLE	11/44 UNIT ASSY	
ENG. <i>Randall</i>				
PROJ. ENG. <i>Raymond</i>				
PROD. <i>J. Combs</i>				
NEXT HIGHER ASSY.				
E-UA-11/44-0-0	SIZE	CODE	NUMBER	REV.
SCALE	C	PL	11/44-0-0	A
SHEET 2 OF 2	DIST.			

TW 1

MS60567 M9302 5011311B

CAUTION
(DECAL)



NOTES:

REF DESIGNATIONS NOT USED ARE R37, R52, R83, R108, AND R111.

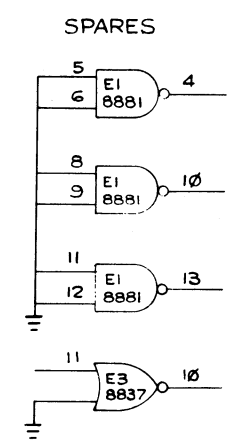
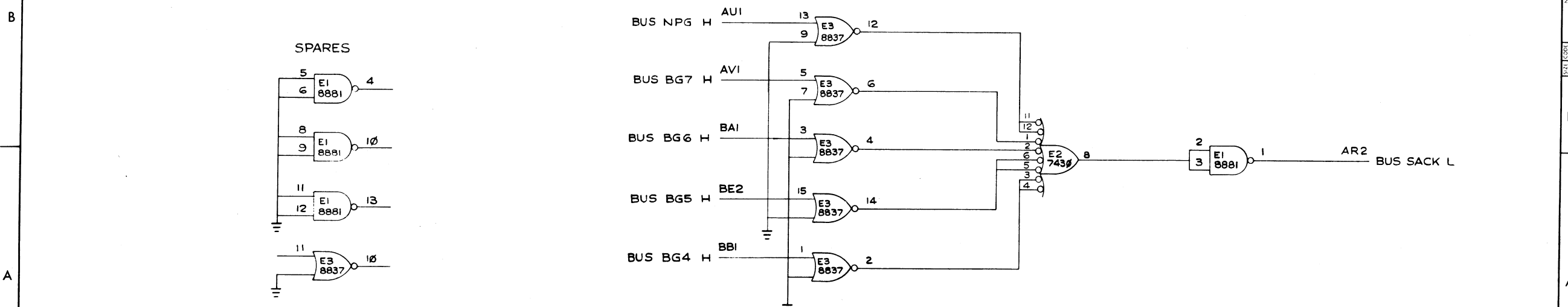
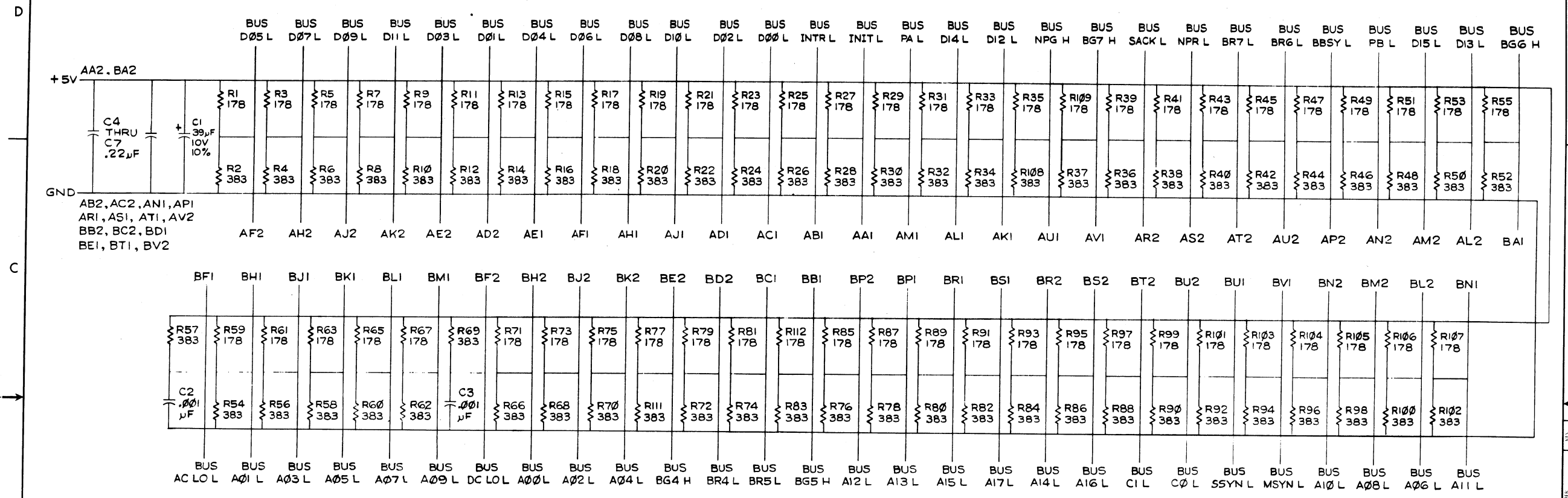
HOLE LETTER	DRILLING DATA		CAN TAKE BRIPLETS YES NO	QTY OF HOLES
	DRILL SIZES			
	FOR PTH BOARDS	BEFORE AFTER PLATE PLATE	FOR NON-PTH BOARDS	
NONE	#56(.0465DIA)	✓		

BOARD FABRICATION INFORMATION

BOARD SIZE 8540 X 11750
 D MD 7605819-0-0
 BOARD MATERIAL .052 THK
 1 OZ COPPER 2 SIDES
 EYELET PLATED THRU
 2 SIDED MULTI-LAYER
 NOTCH BEFORE GOLD PLATING
 NOTCH AFTER GOLD PLATING

DRN. <i>Hill</i>	DATE 2-3-74	digital EQUIPMENT CORPORATION MAYNARD MASSACHUSETTS
CHK'D <i>[Signature]</i>	DATE 11-27-74	
ENG. <i>[Signature]</i>	DATE 3-25-75	TITLE UNIBUS TERM
PROJ. ENG. <i>[Signature]</i>	DATE 3-25-75	
PROD.	DATE	
FIRST USED ON M9302	SIZE CODE D AH	NUMBER M9302-0-5
SCALE 2/1	ETCH REV B	REV. D
		JW MS 60567

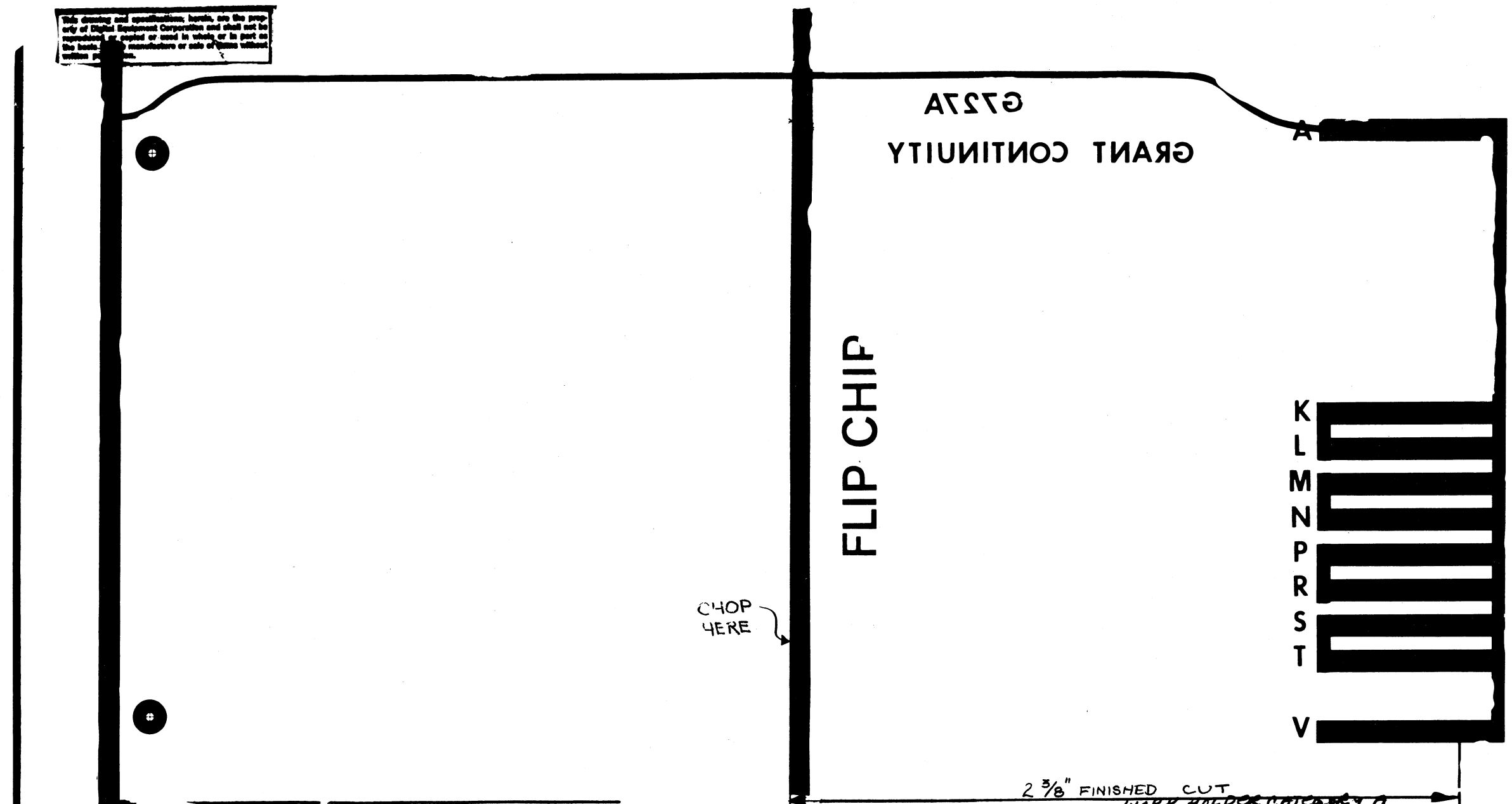
THIS DRAWING AND SPECIFICATIONS, HEREIN, ARE THE PROPERTY OF DIGITAL EQUIPMENT CORPORATION AND SHALL NOT BE REPRODUCED OR COPIED OR USED IN WHOLE OR IN PART AS THE BASIS FOR THE MANUFACTURE OR SALE OF ITEMS WITHOUT WRITTEN PERMISSION. COPYRIGHT © 1975 DIGITAL EQUIPMENT CORPORATION



REVISIONS		
CHK	CHANGE NO	REV

TITLE	UNIBUS TERMINATOR	SIZE CODE	D CS	NUMBER	M9302-0-1	REV.	D
SCALE	---	SHEET	2	OF	2	DIST.	

This drawing and specifications, herein, are the property of Digital Equipment Corporation and shall not be reproduced, copied or used in whole or in part on the basis of any manufacture or sale of items without written permission.



UNLESS OTHERWISE INDICATED

RESISTORS ARE _____

CAPACITORS ARE _____

DIODES ARE _____

TRANSISTORS ARE _____

BOARD FABRICATION INFO

BOARD SIZE NON STD. (2 3/8") STOCK CODE # 2230

BOARD MAT'L .055 THK.; 2oz COPPER CLAD

PLATED THRU EYELET SINGLE SIDED

HOLES BEFORE PLATING _____

UNMARKED HOLES ARE _____

HOLES ARE _____ PLACES _____

HOLES ARE _____ PLACES _____

HOLES ARE _____ PLACES _____

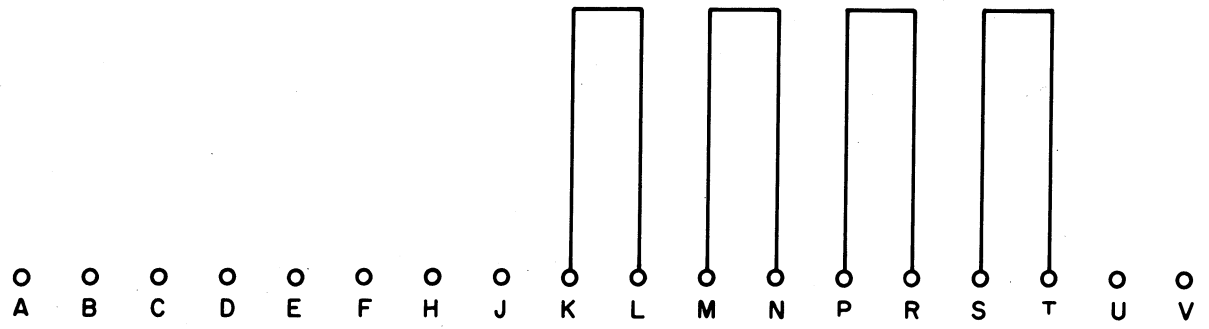
NOTCH BEFORE G.P. NOTCH AFTER G.P.

2 3/8" FINISHED CUT
WORK HOLDER CUTAWAY A
PR# 7818

QTY.	DESCRIPTION	PART NO.	ITEM NO.
PARTS LIST			
DRN. S. PATTERSON	DATE 11-6-69	digital EQUIPMENT CORPORATION <small>MAYNARD, MASSACHUSETTS</small> TITLE ASSY/DRILLING HOLE LAYOUT	
CHK'D. V. Shikowski	DATE 12-16-69		
ENG. P.E. Jensen	DATE 1/28/70		
PROL. ENG. P.E. Jensen	DATE 1/28/70		
PROD. S. J. Jensen	DATE 3/9/70	SIZE CODE C AH	NUMBER G727-0-5
FIRST USED ON G727		REV.	
SCALE		DIST. 3/4/70	
SHEET	OF		

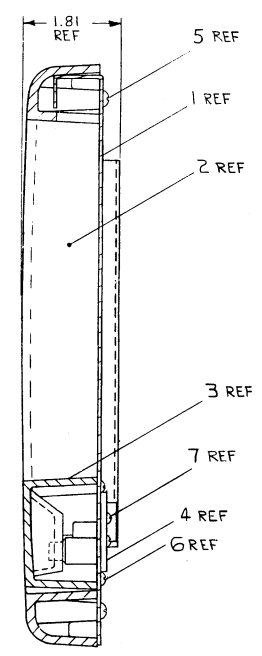
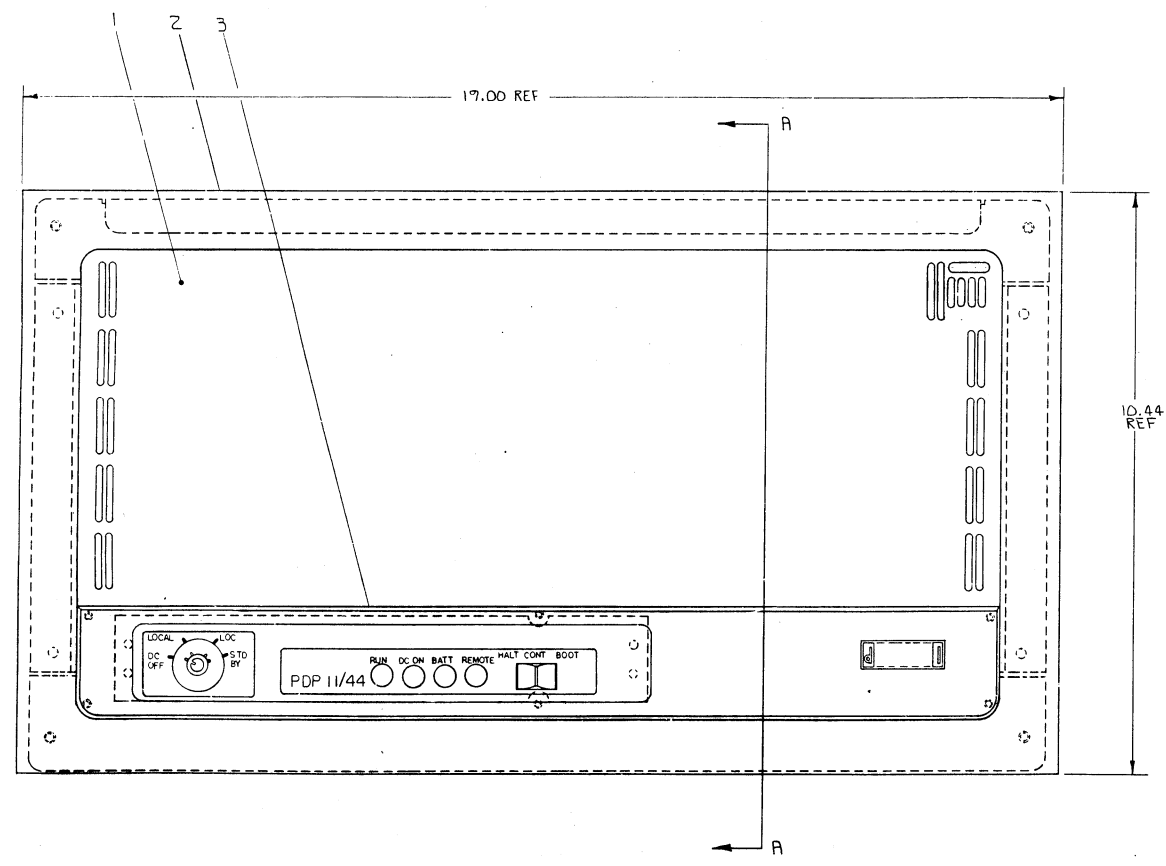
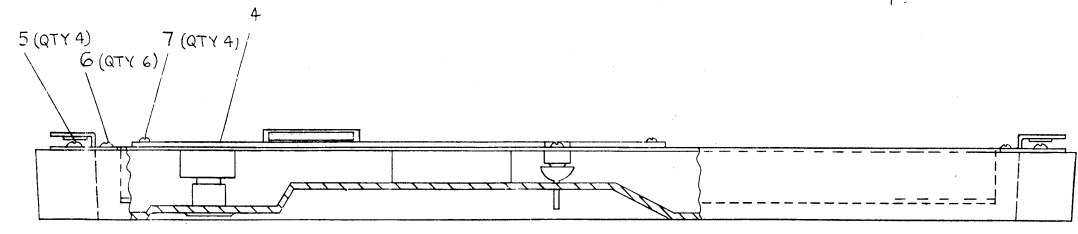
2 PINK DW

THIS SCHEMATIC IS FURNISHED ONLY FOR TEST AND MAINTENANCE PURPOSES. THE CIRCUITS ARE PROPRIETARY IN NATURE AND SHOULD BE TREATED ACCORDINGLY. COPYRIGHT 1969 BY DIGITAL EQUIPMENT CORPORATION



REVISIONS CHK CHG NO. REV.	DRN. <i>BUTLER</i>	DATE <i>11-19-69</i>	TRANSISTOR & DIODE CONVERSION CHART				 digital EQUIPMENT CORPORATION <small>MAYNARD, MASSACHUSETTS</small>	TITLE GRANT CONTINUITY G727			
	CHK'D <i>P. Jo Stuck</i>	DATE <i>6-FEB-70</i>	DEC	EIA	DEC	EIA		SIZE	CODE	NUMBER	REV.
	ENG. <i>P. E. Johnson</i>	DATE <i>1/28/70</i>						B	CS	G727-0-1	
	PROD.	DATE						PRINTED CIRCUIT REV.			A

THIS DRAWING AND OPERATIONAL MANUAL ARE THE PROPERTY OF THE UNITED STATES GOVERNMENT. IT IS TO BE REPRODUCED AND TRANSMITTED IN ANY FORM AND BY ANY MEANS, ELECTRONIC OR MECHANICAL, INCLUDING PHOTOCOPYING, RECORDING, OR BY ANY INFORMATION STORAGE AND RETRIEVAL SYSTEM, WITHOUT PERMISSION IN WRITING FROM THE ASSISTANT SECRETARY FOR ACQUISITION, DEFENSE SUPPLY CORPORATION.



SECTION A-A

QTY	DESCRIPTION	DWG. PART NO.	ITEM NO.
4	SCREW #6-32 X .31 NYLOCK	3010148-01	7
6	SCREW #8-32 X .38 NYLOCK	3010148-00	6
4	SCREW #10-32 X .50 NYLOCK	3010119-00	5
1	FRONT PANEL BOARD	E-JA-5413671-0-0	4
1	CONSOLE ASSY	D-TA-7016500-0-0	3
1	BEZEL	E-MD-7422006-0-0	2
1	PANEL CONSOLE MOUNTING	E-TA-7422016-0-0	1

UNLESS OTHERWISE SPECIFIED DIMENSIONS ARE IN INCHES	
ANGLES 1/2° 30°	TOLERANCES FRACTIONAL DECIMALS FRACTIONAL DECIMALS MICROINCHES
ASSEMBLY CHECK ONE QUALITY IN	ASSEMBLY CHECK ONE QUALITY IN
QUANTITY & VARIATION	QUANTITY & VARIATION
THIRD ANGLE PROJECTION	THIRD ANGLE PROJECTION
REMOVE BURRS AND BREAK SHARP CORNERS	REMOVE BURRS AND BREAK SHARP CORNERS
DO NOT SCALE DWG	DO NOT SCALE DWG
MATERIAL	MATERIAL
FINISH	FINISH
DRN: <i>[Signature]</i> 11/44	FIRST USED ON: 11/44
CHKD: <i>[Signature]</i> 11/44	TITLE: CONSOLE/BEZEL ASSEMBLY
PROJ. ENG: <i>[Signature]</i> 11/44	SIZE: E-JA-1144-0-0
PROJ. MGR: <i>[Signature]</i> 11/44	SCALE: 1/1
NEXT HIGHER ASSY.	REV. NUMBER: E AD 7016501-0-0
	SHEET: 1 OF 1

CHANGE NO. 1

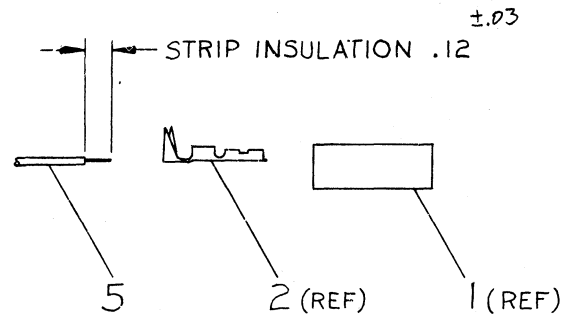
"THIS DRAWING AND SPECIFICATIONS, HEREIN, ARE THE PROPERTY OF DIGITAL EQUIPMENT CORPORATION AND SHALL NOT BE REPRODUCED OR COPIED OR USED IN WHOLE OR IN PART AS THE BASIS FOR THE MANUFACTURE OR SALE OF ITEMS WITHOUT WRITTEN PERMISSION. COPYRIGHT © 1979, DIGITAL EQUIPMENT CORPORATION"

WIRE TABLE

ITEM NO.	DESCRIPTION	FROM		TO		REMARKS
		CONN.	WITH	CONN	WITH	
5	22 BLK	PI-3	ITEM 2	PI-9	ITEM 2	3.0IN.±.06
5	22 BLK	PI-4	ITEM 2	PI-5	ITEM 2	3.0IN.±.06
3	— KEY	—	—	PI-2	ITEM 3	SEE NOTE 3

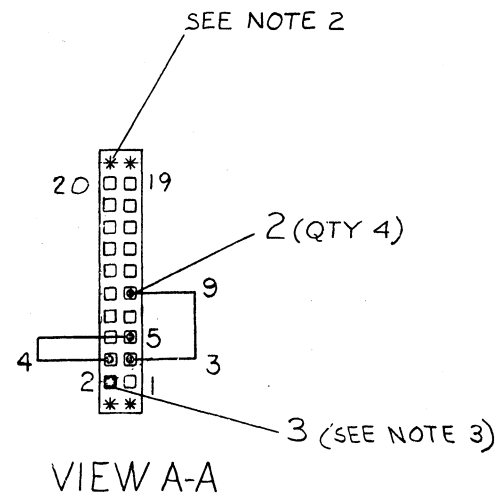
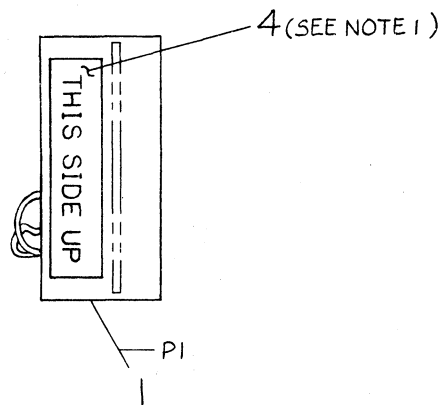
NOTES:

- PLACE LABEL (ITEM 4) ON CONNECTOR (ITEM 1) APPROX. AS SHOWN.
- POSITIONS MARKED "*" ASTERIX IN VIEW A-A ARE NOT TO BE USED.
- CONNECTOR (ITEM 1) SHALL HAVE ONE KEY (ITEM 3) INSERTED IN POSITION 2 AS SHOWN.



VIEW A

VIEW A



ITEM NO.	DESCRIPTION	DWG./PART NO.	ITEM NO.
6.0	WIRE, 22AWG, STRD, UL1429	9107350-00	5
1	LABEL (THIS SIDE UP) 1.0x.25	3611567-01	4
1	CONN, PIN (DUMMY), KEY	9009140-00	3
4	SOCKET, CRIMP TYP REEL	1210089-07	2
1	TERM. 24 POS. HOUSING	1210918-25	1

DESCRIPTION		DWG./PART NO.	ITEM NO.
UNLESS OTHERWISE SPECIFIED DIMENSIONS ARE IN INCHES			
ANGLES ±0° 30'	CLASS OF ACCURACY (CHECK ONE)	NOMINAL DIMENSION RANGE INCHES	
SURFACE QUALITY IN	MEDIUM <input type="checkbox"/> <input checked="" type="checkbox"/>	OVER 0 TO .2	OVER 0.2 TO 1.2
		OVER 1.2 TO 4.0	OVER 4.0 TO 12.0
		OVER 12.0 TO 40.0	OVER 40.0 TO 80.0
		±.004 ±.008 ±.012 ±.016 ±.024 ±.04	±.012 ±.016 ±.025 ±.04 ±.033 ±.01
QUANTITY & VARIATION	MICROMETCHES PREFERRED <input type="checkbox"/> <input checked="" type="checkbox"/>		
THIRD ANGLE PROJECTION	DRN. <i>R. Burrows</i> 1 DEC 78	FIRST USED ON	11/44
REMOVE BURRS AND BREAK SHARP CORNERS	CHK'D <i>J.F. Sullivan</i> MAR 26 79	TITLE	
DO NOT SCALE DWG	ENG. <i>R. Albert</i> 6/15/79	CONNECTOR, LOOP BACK	
MATERIAL SEE PARTS LIST	PROJ. ENG. <i>R. Albert</i> 6/23/79	SIZE	CODE
FINISH	PROD. <i>John G. Hall</i> 29 Jun 79	C	IA
	NEXT HIGHER ASSY.	NUMBER	REV.
	E-VA-1144-0-0	7422428-0-0	*
	SCALE 2/1	DIST.	
	SHEET 1 OF 1		

REV.	CHANGE NO.	REVISIONS

DEC FORM NO. DFC 100-C

4

3

2

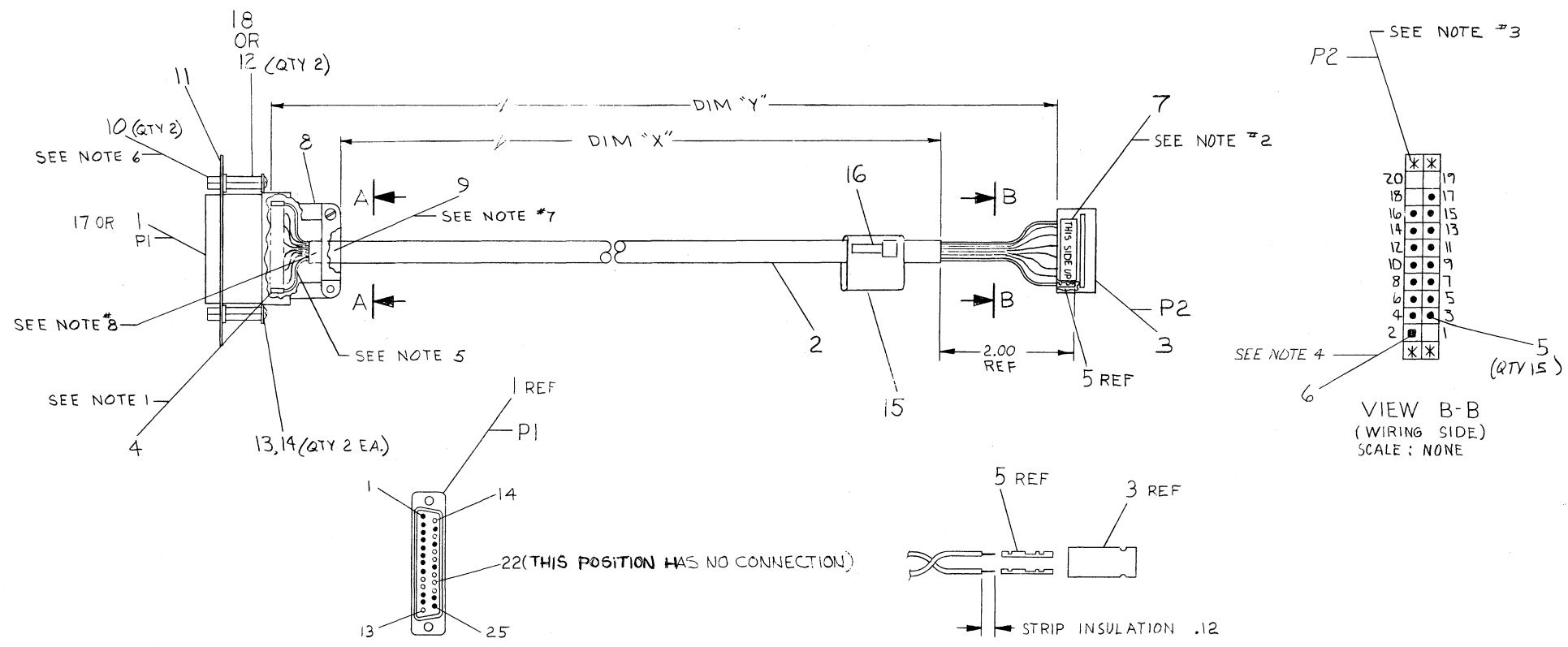
TW 1

"THIS DRAWING AND SPECIFICATIONS, HEREIN, ARE THE PROPERTY OF DIGITAL EQUIPMENT CORPORATION AND SHALL NOT BE REPRODUCED OR COPIED OR USED IN WHOLE OR IN PART AS THE BASIS FOR THE MANUFACTURE OR SALE OF ITEMS WITHOUT WRITTEN PERMISSION. COPYRIGHT © 1978, DIGITAL EQUIPMENT CORPORATION"

WIRE TABLE						
ITEM NO	DESCRIPTION	FROM		TO		
		AWG	COLOR	CONN	WITH	
2	22	BLU	PI-1	SOLDER	P2-3	5
		WHT/BLK	PI-2		P2-4	
		RED/BLK	PI-3		P2-5	
		GRN/BLK	PI-4		P2-6	
		BLK	PI-5		P2-7	
		WHT	PI-6		P2-8	
		ORN/BLK	PI-7		P2-9	
		BLU/BLK	PI-8		P2-10	
		BLK/WHT	PI-11		P2-11	
		RED/WHT	PI-12		P2-12	
		ORN	PI-15		P2-13	
		GRN	PI-17		P2-14	
		RED	PI-20		P2-15	
		BLU/WHT	PI-24		P2-16	
2	22	GRN/WHT	PI-25	SOLDER	P2-17	5

PART NO.	VARIATION		REMARKS
	DIM "X"	DIM "Y" PRECUT	
BC44A-10	10FT. ± 2IN.	10FT. 5IN.	SEE NOTE 9
BC44A-YA	10FT. ± 2IN.	10FT. 5IN.	

- NOTES:
- EACH SOLDERED CONTACT ON (P1) SHALL BE INSULATED WITH A .25 IN. PIECE OF SHRINK TUBING (ITEM # 4).
 - PLACE LABEL (ITEM # 7) AS SHOWN ON CONN (ITEM # 3).
 - PINS MARKED (X) IN VIEW B-B ARE NOT TO BE USED.
 - CONN. P2-2 (ITEM # 3) SHALL HAVE ONE KEY (ITEM # 6) INSERTED AS SHOWN.
 - WIRES COMING FROM CENTER OF PLUG CONN SHOULD BE FANNED OUT INTO HOOD SO THAT THEY ARE NOT BUNCHED.
 - PLACE LOCKWASHER (SUPPLIED WITH ITEM # 10) BETWEEN SPACER AND CONNECTOR FLANGE. DISCARD NUT (QTY. 2) SUPPLIED WITH ITEM # 10.
 - FOR STRAIN RELIEF WRAP 2 TURNS OF TAPE (ITEM # 9) AROUND CABLE (ITEM # 2) AS SHOWN.
 - CABLE JACKET INSULATION (ITEM # 2) SHOULD EXTEND BEYOND STRAIN RELIEF CLAMP (ITEM # 8) A MIN. OF .20 INCH.
 - THE BC44A-10 AND BC44-YA ARE THE SAME, EXCEPT FOR THE FILTERED CONNECTOR AND SPACER. THESE TWO VARIATIONS ARE INTERCHANGABLE.



QTY	DESCRIPTION	DWG. PART NO.	ITEM NO.
2	SPACER, HEX THD 4-40 X 1 3/16	9000033-02	18
1	CONN, D SUB, 25 PIN FLTRD	1214081-02	17
1	TIE, CABLE SSTI-M	9007031-00	16
1	LABEL, CABLE I.D.	9009532-00	15
2	WASHER, LOCK #4	9006688-00	14
2	SCR. PHL PAN HD #4-40 X.25	9008301-01	13
-	SPACER, THREADED, HEX, 4-40	9008833-00	12
1	PLATE, CONN. MTG	B-MD-7414372-00	11
2	SCREW LOCK ASSY	9008451-00	10
A/R	TAPE, DOUBLE COATED .5WD	9007834-00	9
1	HOOD, CONN. W/CLAMP ASSY	1212516-00	8
1	LABEL (THIS SIDE UP) 1.0 X.25	3611567-01	7
1	KEY, DUMMY, POLAR	9009140-00	6
15	SOCKET, CRIMP	1210033-07	5
4	TUBING, SHRINK, .094 I.D.	9107714-09	4
1	TERM. HSG. (24 POS)	1210918-25	3
A/R	CABLE, 22 AWG (15 COND) U.L. 2464	9107672-00	2
-	CONN, D SUB, 25 PIN FLTRD	1214081-00	1

REV.	CHANGE NO.	DESCRIPTION
1	A	INITIALS
2	B	INITIALS
3	C	INITIALS

THIRD ANGLE PROJECTION	DRN. B. BLODGE 11/26/77	FIRST USED ON	11/44
REMOVE BURRS AND BREAK SHARP CORNERS	CHK'D J.F. SULLIVAN 11-15-77	ENG. PROJ. 11/23/77	
DO NOT SCALE DWG	PROJ. ENG. R. DILLON 11/23/77	PROD. G. GUILLE 11/24/77	
MATERIAL SEE PARTS LIST	E-UR-1144-0-0	SCALE 1/1	
FINISH		SHEET 1 OF 1	

DESCRIPTION	DWG. PART NO.	ITEM NO.
UNLESS OTHERWISE SPECIFIED DIMENSIONS ARE IN INCHES		
ANGLES 90° 30'	CLASS OF ACCURACY	NOMINAL DIMENSION RANGE INCHES
SURFACE QUALITY IN	(CHECK ONE)	OVER 0 TO 0.2
MEDIUM	<input type="checkbox"/>	OVER 0.2 TO 1.2
PREFERRED	<input checked="" type="checkbox"/>	OVER 1.2 TO 4.0
		OVER 4.0 TO 12.0
		OVER 12.0 TO 40.0
		OVER 40.0 TO 80.0
		OVER 80.0 TO 100.0

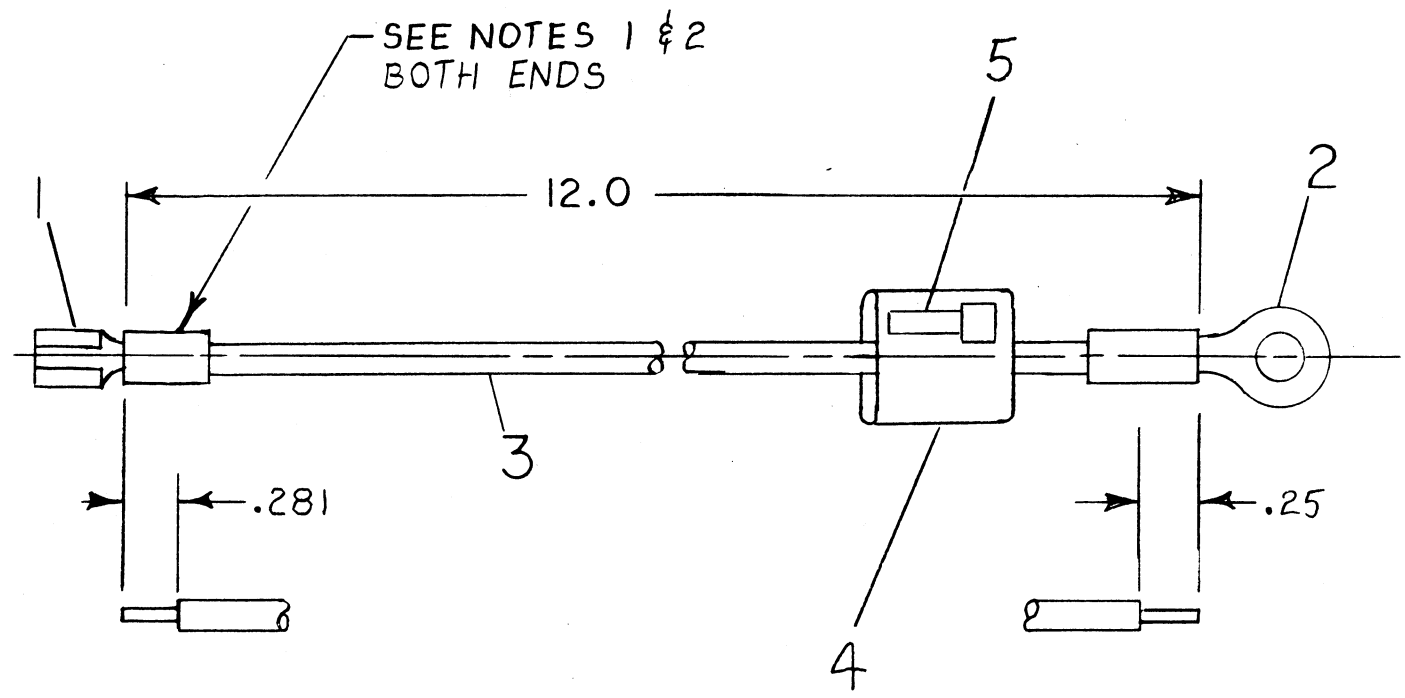
TITLE	BC44A-0-0	REV. A
SIZE	D	CODE IA
NUMBER	BC44A-0-0	DIST.

THIS DRAWING AND SPECIFICATIONS, HEREIN, ARE THE PROPERTY OF DIGITAL EQUIPMENT CORPORATION AND SHALL NOT BE REPRODUCED OR COPIED OR USED IN WHOLE OR IN PART AS THE BASIS FOR THE MANUFACTURE OR SALE OF ITEMS WITHOUT WRITTEN PERMISSION.
 COPYRIGHT © 1978 DIGITAL EQUIPMENT CORPORATION

REV. 2
 SIZE B
 CODE IA
 NUMBER 7422393-0-0

NOTES:

1. CRIMP PER DEC. STD. 116 SEC 3 REV B PAGE 6
2. PULL TEST, PER DEC. STD A-SP-7665267 REV B, AFTER CRIMP



1	TIE, CABLE SSTI-M	9007031-00	5
1	LABEL, CABLE I.D.	9009532-00	4
12	WIRE #20AWG STRD GRN	9107460-55	3
1	RING TERM #8 STUD	1214628-00	2
1	FASTON TERM	9007970-00	1

DESCRIPTION	DWG./PART NO.	ITEM NO.
UNLESS OTHERWISE SPECIFIED DIMENSIONS ARE IN INCHES		
ANGLES ±0° 30'	CLASS OF ACCURACY (CHECK ONE)	NOMINAL DIMENSION RANGE INCHES
SURFACE QUALITY IN MICROINCHES	MEDIUM <input type="checkbox"/>	OVER 0 TO 0.2 ±.004 OVER 0.2 TO 1.2 ±.008 OVER 1.2 TO 4.0 ±.012 OVER 4.0 TO 12.0 ±.016 OVER 12.0 TO 40.0 ±.024 OVER 40.0 TO 80.0 ±.04
	PREFERRED <input checked="" type="checkbox"/>	±.012 ±.016 ±.025 ±.04 ±.063 ±.01

REVISIONS	REV.
CHANGE NO.	
CHK	

THIRD ANGLE PROJECTION

REMOVE BURRS AND BREAK SHARP CORNERS

DO NOT SCALE DWG

MATERIAL SEE PARTS LIST

FINISH #

DRN. *A. Moore* 10-5-78
 CHK'D. *J. F. Sullivan* 11/17/79
 ENG. *R. O. Holt* 1/29/79
 PROJ. ENG. *R. O. Holt* 1/29/79
 PROD. *John Conella* 2/9/79
 NEXT HIGHER ASSY.

FIRST USED ON 11/44

TITLE WIRE ASSY

SIZE B CODE IA NUMBER 7422393-0-0 REV. *

SHEET 1 OF 1

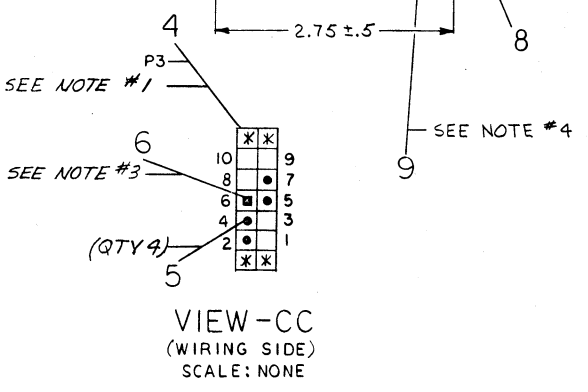
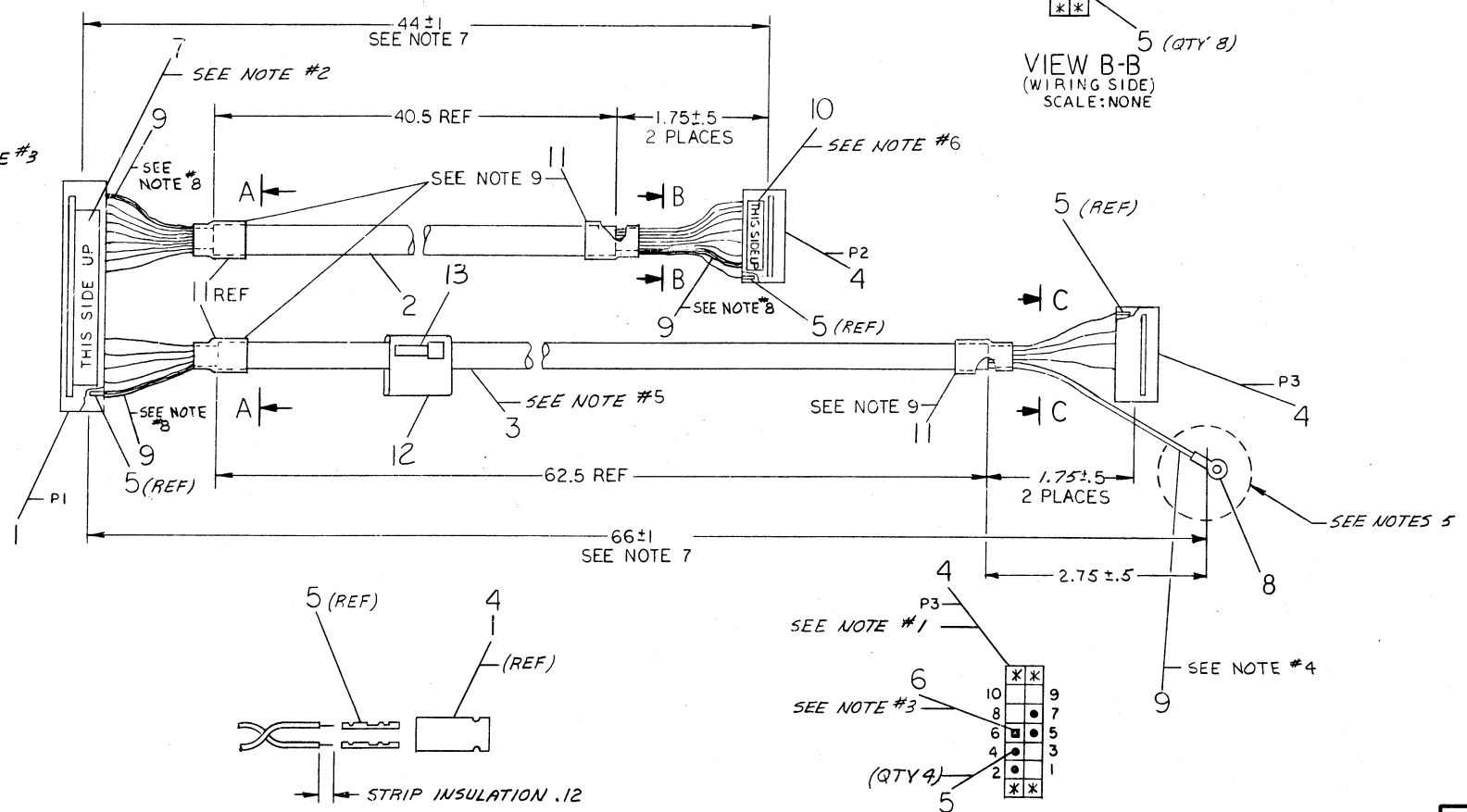
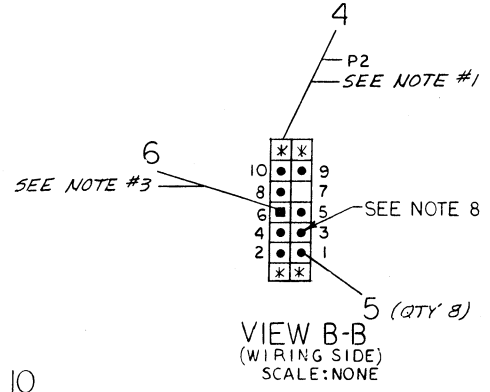
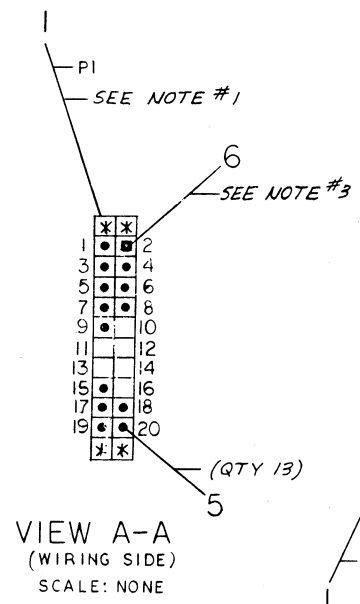
DRB 100A

"THIS DRAWING AND SPECIFICATIONS, HEREIN, ARE THE PROPERTY OF DIGITAL EQUIPMENT CORPORATION AND SHALL NOT BE REPRODUCED OR COPIED OR USED IN WHOLE OR IN PART AS THE BASIS FOR THE MANUFACTURE OR SALE OF ITEMS WITHOUT WRITTEN PERMISSION FROM DIGITAL EQUIPMENT CORPORATION" COPYRIGHT © 1978

WIRE TABLE							REMARKS
ITEM NO.	AWG	COLOR	CONN	WITH	CONN	WITH	
2	24	DRAIN	P1-1	ITEM 5	P2-3	ITEM 5	SEE NOTE 8
2	24	RED	P1-3	ITEM 5	P2-4	ITEM 5	
2	24	WHT	P1-4	ITEM 5	P2-5	ITEM 5	
2	24	GRN	P1-5	ITEM 5	P2-1	ITEM 5	
2	24	BLK	P1-6	ITEM 5	P2-2	ITEM 5	
2	24	BRN	P1-7	ITEM 5	P2-9	ITEM 5	
2	24	ORN	P1-8	ITEM 5	P2-8	ITEM 5	
2	24	BLU	P1-9	ITEM 5	P2-10	ITEM 5	
3	24	BLK	P1-15	ITEM 5	P3-2	ITEM 5	
3	24	GRN	P1-17	ITEM 5	P3-4	ITEM 5	
3	24	WHT	P1-18	ITEM 5	P3-5	ITEM 5	
3	24	RED	P1-19	ITEM 5	P3-7	ITEM 5	
3	24	DRAIN	P1-20	ITEM 5	ITEM 8	ITEM 9	SEE NOTES 9, 8

7016487-0-0

- NOTES:
- LOCATIONS MARKED (*) IN VIEWS A-A, B-B AND C-C ARE NOT TO BE USED.
 - PLACE LABEL (ITEM #7) AS SHOWN ON CONN P1 (ITEM #1)
 - CONNS. P1-2, P2-6 AND P3-6 (ITEMS #1 AND 4) SHALL HAVE ONE KEY (ITEM #6) INSERTED AS SHOWN.
 - SLIDE EXTRUDED TUBING (ITEM #9) OVER DRAIN WIRE WHERE IT BREAKS OUT OF CABLE AS REQUIRED.
 - WIRE FROM P1-20 TO ITEM #8 SHALL BE MADE 1 INCH LONGER THAN WIRES FROM P1 TO P3.
 - LOCATE LABEL (ITEM #10) AS SHOWN ON CONNECTOR P2 (ITEM #4)
 - CUT LENGTH
 - SLIDE EXTRUDED TUBING (ITEM #9) OVER DRAIN WIRE BEFORE CRIMPING CONTACTS P2-3, P1-1, P1-20.
 - INSTALL SHRINK TUBING (ITEM #11) APPROX 1 INCH LONG, OVERLAPPING CABLE JACKET



ITEM NO.	DESCRIPTION	DWG/PART NO.	ITEM NO.
1	TIE, CABLE SSTI-IV	9007031-00	13
1	LABEL, CABLE I.D.	9009532-00	12
4	TUBING, SHRINK .250 I.D.	9107253-09	11
1	LABEL (THIS SIDE UP).50 X .25	3611567-02	10
8	TUBING EXTRUDED 22AWG .027 I.D.	9107256-00	9
1	RING TERM INS. 1 POS. 26-20AWG	1214628-00	8
1	LABEL 1.0 X .25 (THIS SIDE UP)	3611567-01	7
3	KEY, POLAR, DUMMY	9009140-00	6
25	SOCKET, CRIMP, REEL	1210089-07	5
2	TERM. HSG. (1A POS)	1210918-30	4
6	CABLE, #24 AWG STRND (4 COND)	1700155-01	3
44	CABLE, #24 AWG STRND (7 COND)	1700155-00	2
1	TERM. HSG. (24 POS)	1210918-25	1

UNLESS OTHERWISE SPECIFIED DIMENSIONS ARE IN INCHES	
ANGLES	CLASS OF ACCURACY
30°	(CHECK ONE)
SURFACE QUALITY IN	MEDIUM
MICROINCHES	PREFERRED
THIRD ANGLE PROJECTION	DRN: J. F. Cullin 1/22/79
REMOVE BURRS AND BREAK SHARP CORNERS	CHK'D: J. F. Cullin 1/22/79
DO NOT SCALE DWG	ENG: R. O. L. #1 1/29/79
MATERIAL SEE PARTS LIST	PROJ. ENG. R. O. L. #1 1/29/79
FINISH	PROD. J. F. Cullin 1/22/79
QUANTITY & VARIATION	FIRST USED ON 1/44
TITLE	CIM CABLE ASSY
SIZE CODE	D IA 7016487-0-0
NUMBER	1
REV.	*

REVISIONS
CHANGE NO.
CHK

DEC FORM INC. 680 100-C

THE DRAWING AND SPECIFICATIONS HEREIN ARE THE PROPERTY OF DIGITAL EQUIPMENT CORPORATION AND SHALL NOT BE REPRODUCED OR COPIED OR USED IN WHOLE OR IN PART AS THE BASIS FOR THE MANUFACTURE OR SALE OF ITEMS WITHOUT WRITTEN PERMISSION. COPYRIGHT © 1975 DIGITAL EQUIPMENT CORPORATION.

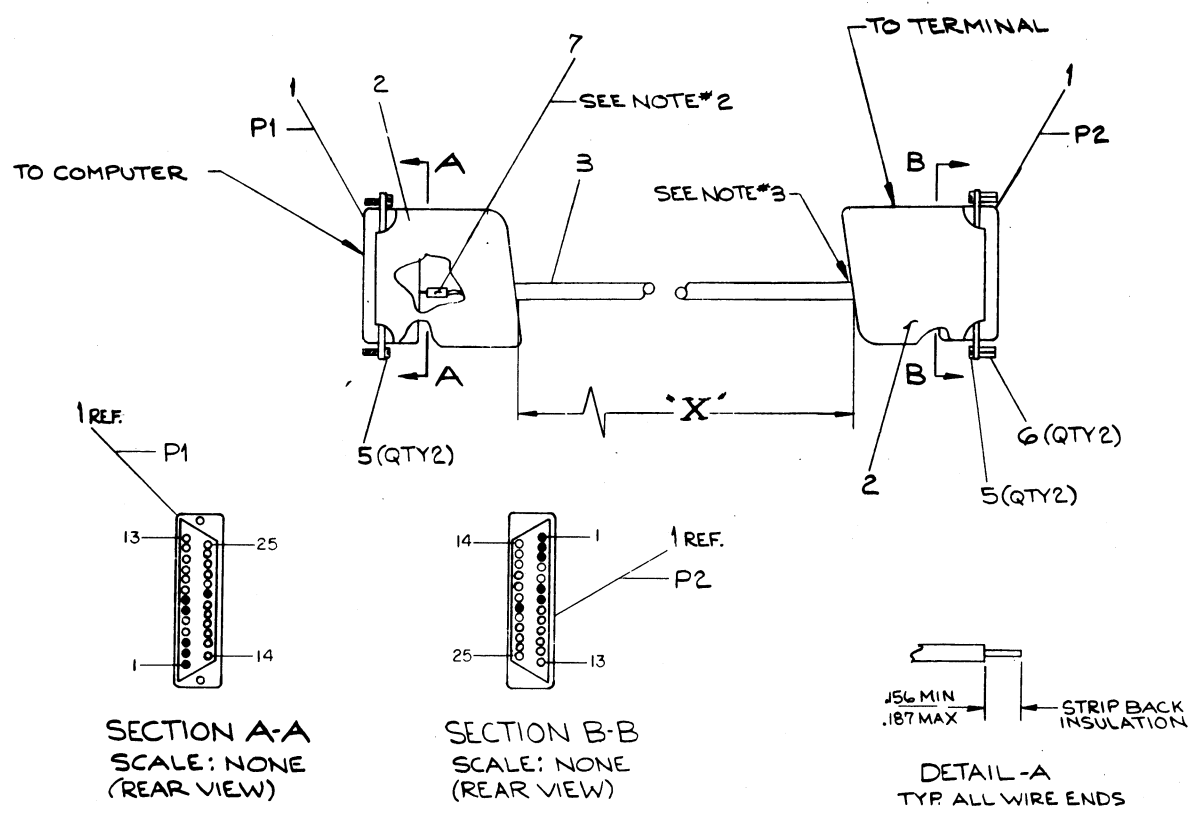
WIRE TABLE									
ITEM NO.	DESCRIPTION	FROM		TO		REMARKS			
		AWG	COLOR	CONNECTION	WITH		CONNECTION	WITH	
3	2.2	BLK	PI-7	NOTE #4	4	P2-7	NOTE #4	4	
3		RED	PI-2		8	P2-3		8	
3		SHIELD	PI-1	NOTE #2 & 4	4 & 7	P2-1	NOTE #2	4 & 7	
3		BLK	PI-7	NOTE #4	4	P2-7	NOTE #4	4	
3		WHT	PI-3		8	P2-2		8	
3		SHIELD	PI-1	NOTE #2 & 4	4 & 7	P2-1	NOTE #2	4 & 7	
3		BLK	PI-6		8	P2-20		8	
3		GRN	PI-20		8	P2-6		8	
3	2.2	SHIELD	SEE NOTE #3		-	SEE NOTE #3		-	

LEGEND		
NUMBER	VARIATION	REMARKS
BC03M-01	DIM'S X	PREASSEMBLED
BC03M-25	1 FT.	PREASSEMBLED
BC03M-A0	100 FT.	PREASSEMBLED
BC03M-B5	250 FT.	PARTIALLY ASSEMBLED
BC03M-E0	500 FT.	PARTIALLY ASSEMBLED
BC03M-L0	1000 FT.	PARTIALLY ASSEMBLED
BC03M-H5	750 FT.	PARTIALLY ASSEMBLED

- NOTES:
- VARIATIONS AND LENGTHS SHOWN IN LEGEND ARE STANDARD AND ARE SPECIFIED BY NUMERIC DESIGNATION IN FOOT INCREMENTS, THE TOLERANCE ON DIMENSION 'X' WILL BE ± 2% OF THE FOOT INCREMENT.
 - DRAIN WIRES TO BE ENCLOSED WITH ITEM #7 (TUBING) FROM END OF CABLE JACKET TO POINT WHERE THEY ENTER CONTACT.
 - CUT BACK DRAIN WIRE TO OUTER INSULATION ON BOTH ENDS.
 - THERE ARE TWO WIRES INSTALLED IN EACH #18-20 GA CONTACT (ITEM #4).
 - USE INSERT/EXTRACTION TOOL (ITEM #9) TO CONSTRUCT CABLE. THIS PIECE IS DISCARDED AFTER USE.
 - 1 FOOT, 25 FOOT AND 100 FOOT CABLES ARE PREASSEMBLED. ALL OTHERS ARE PARTIALLY ASSEMBLED.
 - STEPS 1 THRU 4 ARE FOR CABLE LENGTHS OVER 100 FT.

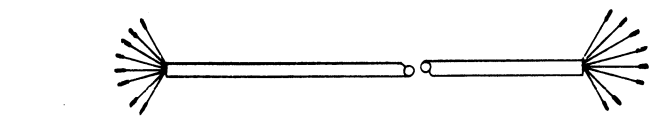
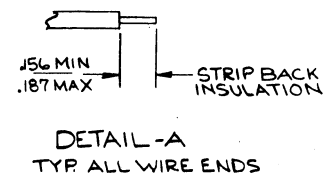
REFERENCE INFORMATION

 USE CRIMP TOOL TYPE M22520/1-01 WITH TH185 LOCATOR
 - CABLES OVER 100 FT ARE TO BE STOCKED IN KIT FORM AS FOLLOWS
 PUT ITEMS 1, 2, 5, 6, 9 AND 1 (ONE) COPY OF THIS PRINT INTO PLASTIC BAG (ITEM #10) FOLD OVER CABLE (ITEM #3) AND STAPLE TOGETHER.
 - REMOVE ITEM 6 FOR CONNECTION TO UNITS WITHOUT CABLES I.E. VT05, VT100, ETC.

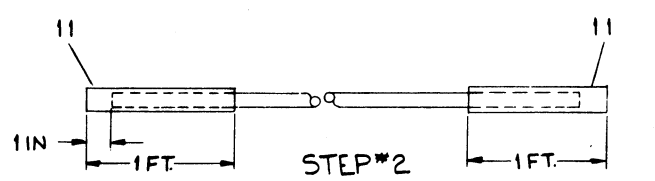


SECTION A-A
SCALE: NONE
(REAR VIEW)

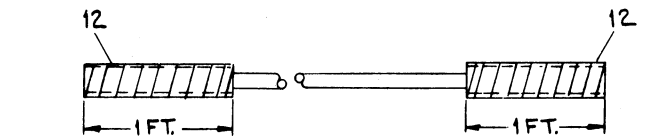
SECTION B-B
SCALE: NONE
(REAR VIEW)



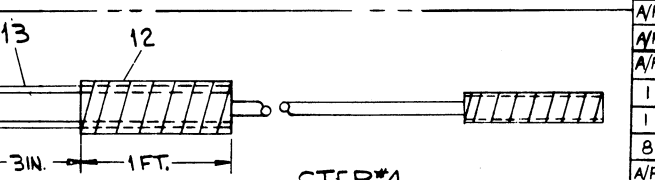
STEP #1
INSTALL ITEM #4, #7 AND #8 TO ITEM #3 (CABLE) PER WIRE TABLE



STEP #2
COVER BOTH ENDS WITH ITEM #11 (TUBING, HEAT SHRINK) PER ABOVE DIM'S



STEP #3
COVER BOTH ENDS WITH ITEM #12 (TAPE) PER ABOVE DIM'S



STEP #4
INSTALL ITEM #13 TO ITEM #3 BY USING ITEM #12 (TAPE) PER ABOVE DIM'S. THE WIRE LOOP AT END OF CABLE IS USED TO PULL CABLE THRU CONDUIT PIPE, AT INSTALLATION.

QTY	DESCRIPTION	DWG/PART NO.	ITEM NO.
A/R	WIRE #14 AWG (2 FT 6 IN LG)	9107370-00	13
A/R	TAPE (ROLL)	9009507	12
A/R	TUBING (HEAT SHRINK)	9107252-00	11
1	BAG, PLASTIC	9905129-21	10
1	TOOL, INSERT/EXTRACT	4700024	9
8	SOCKET #22	1212583-0	8
A/R	TUBING #18 GA (NAT)	9107278-11	7
2	SPACER #4-40 X .25 LG	9008496	6
4	SCR. RETAINER (MALE)	9009722	5
4	SOCKET #18-20	1212583-1	4
A/R	CABLE	9107723	3
2	HOOD	1210493-50	2
2	PLUG	1211354	1

QUANTITY & VARIATION		MICROINCHES	
BC03M-H5	10-15	±.012	±.018
BC03M-L0	10-15	±.012	±.018
BC03M-E0	10-15	±.012	±.018
BC03M-B5	10-15	±.012	±.018
BC03M-A0	10-15	±.012	±.018
BC03M-25	10-15	±.012	±.018
BC03M-01	10-15	±.012	±.018

THIRD ANGLE PROJECTION

REMOVE BURRS AND BREAK SHARP CORNERS

DO NOT SCALE DWG

MATERIAL SEE PARTS LIST

FINISH

DRN. [Signature]

CHKD. [Signature]

ENG. [Signature]

PROJ. [Signature]

DATE 11-15-75

FIRST USED ON

TITLE

CORD, EXTENSION NULL MODEM

SIZE CODE D

NUMBER IA BC03M-0-0

REV. D

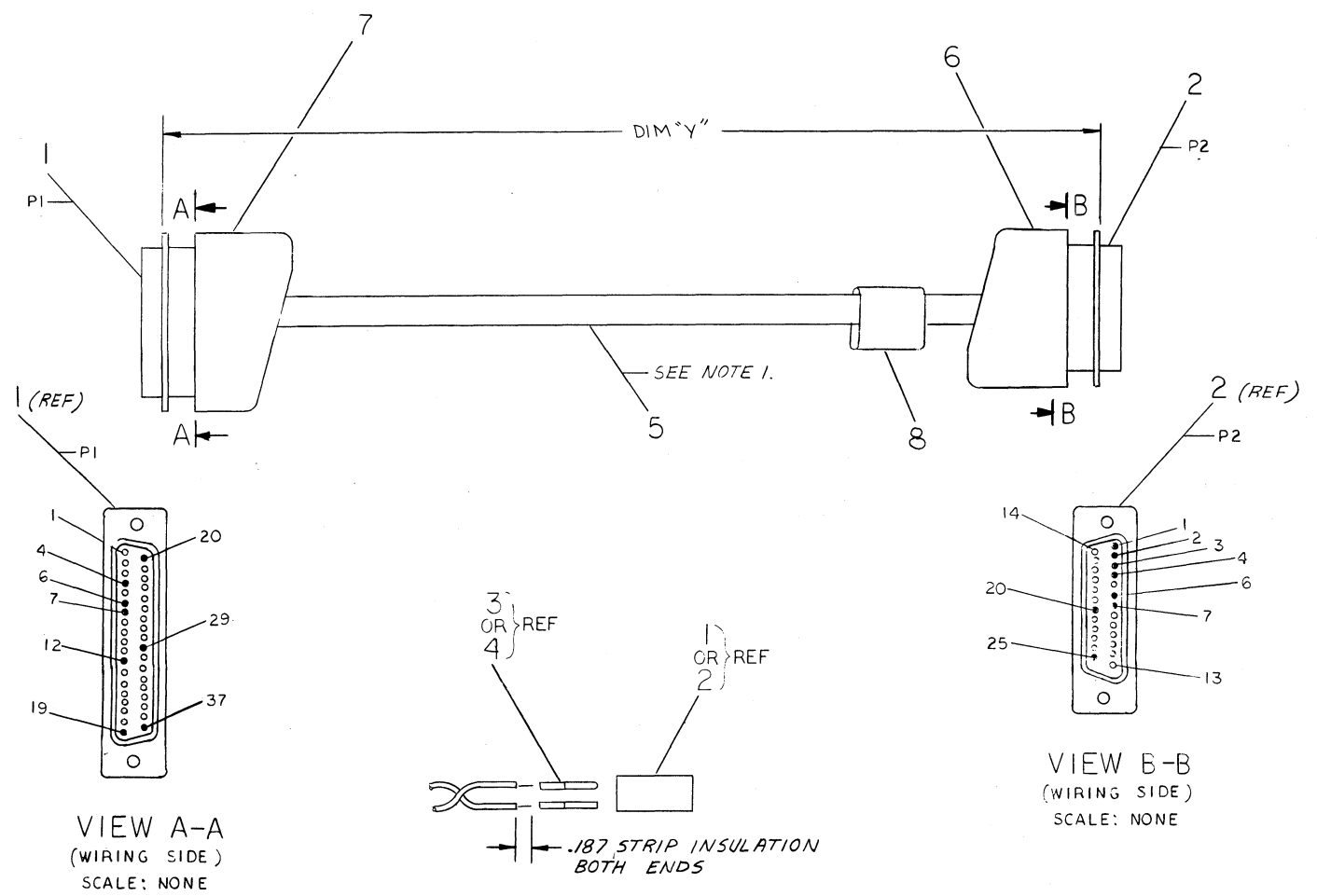
REV.	CHANGE NO.	DATE	BY	APP.
1	BC03M-0001	10-01-75	B. SAMPSON	
2	BC03M-0002	11-13-75	B. SAMPSON	
3	BC03M-0003	11-13-75	B. SAMPSON	
4	BC03M-0004	11-13-75	B. SAMPSON	
5	BC03M-0005	11-13-75	B. SAMPSON	
6	BC03M-0006	11-13-75	B. SAMPSON	
7	BC03M-0007	11-13-75	B. SAMPSON	
8	BC03M-0008	11-13-75	B. SAMPSON	
9	BC03M-0009	11-13-75	B. SAMPSON	
10	BC03M-0010	11-13-75	B. SAMPSON	

"THIS DRAWING AND SPECIFICATIONS, HEREIN, ARE THE PROPERTY OF DIGITAL EQUIPMENT CORPORATION AND SHALL NOT BE REPRODUCED OR COPIED OR USED IN WHOLE OR IN PART AS THE BASIS FOR THE MANUFACTURE OR SALE OF ITEMS WITHOUT WRITTEN PERMISSION.
 COPYRIGHT © 1978, DIGITAL EQUIPMENT CORPORATION"

WIRE TABLE							
ITEM NO.	DESCRIPTION	FROM		TO		REMARKS	
		AWG	COLOR	CONN	WITH		CONN
5	22	BLK	PI-37	ITEM 3	P2-1	ITEM 4	
5	22	RED	PI-4	ITEM 3	P2-2	ITEM 4	
5	22	WHT	PI-6	ITEM 3	P2-3	ITEM 4	
5	22	GRN	PI-7	ITEM 3	P2-4	ITEM 4	
5	22	BRN	PI-29	ITEM 3	P2-6	ITEM 4	
5	22	GRY	PI-20	ITEM 3	P2-7	ITEM 4	
5	22	BLU	PI-12	ITEM 3	P2-20	ITEM 4	
5	22	ORN	PI-19	ITEM 3	P2-25	ITEM 4	

LEGEND		
PART NO.	VARIATION	REMARKS
	DIM. "Y"	
BC44B-01	12.00 IN ± 1 IN	

NOTES:
 1. THE YELLOW AND PURPLE CONDUCTORS ARE NOT USED, AND SHOULD BE CUT NEAR CABLE JACKET ON BOTH ENDS.



VIEW A-A
 (WIRING SIDE)
 SCALE: NONE

VIEW B-B
 (WIRING SIDE)
 SCALE: NONE

DESCRIPTION	DWG./PART NO.	ITEM NO.
1 LABEL, CABLE I.D.	3616073-00	8
1 HOOD, CONN., CABLE CLAMP	1214066-00	7
1 HOOD, HOUSING	1210493-50	6
A/R CABLE #22 AWG (10 COND)	3107623-00	5
8 CONTACT SOCKET, CRIMP	1210493-41	4
8 CONTACT PIN, CRIMP	1210493-39	3
1 CONN. HOUSING	1210493-32	2
1 CONN. PLUG 37 PIN	1214065-00	1

ANGLES	CLASS OF ACCURACY (CHECK ONE)	NOMINAL DIMENSION RANGE INCHES					
		OVER 0 TO 0.2	OVER 0.2 TO 1.2	OVER 1.2 TO 4.0	OVER 4.0 TO 12.0	OVER 12.0 TO 40.0	OVER 40.0 TO 80.0
SURFACE QUALITY IN	MEDIUM	±.004	±.008	±.012	±.016	±.024	±.04
MICROINCHES	PREFERRED	±.012	±.016	±.025	±.04	±.063	±.01

THIRD ANGLE PROJECTION

REMOVE BURRS AND BREAK SHARP CORNERS

DO NOT SCALE DWG

MATERIAL SEE PARTS LIST

FINISH

DRN. J.F. Sullivan 10/27/78
 CHK'D J.F. Sullivan 1/9/79
 ENG. R.O. 1/23/79
 PROJ. ENG. R.O. 1/23/79
 PROD. 1/23/79

FIRST USED ON 11/44

TITLE CABLE ADAPTER ASSEMBLY (TO EIA RS422 & RS423)

NEXT HIGHER ASSY.

B-00-11/44-0-0

SCALE 1/1

SHEET 1 OF 1

SIZE D

CODE IA

NUMBER BC44B-0-0

REV. A

DIST.

REV.	CHANGE NO.	BY	DATE
1	1	S. HOYLE	10/27/78

REVISIONS

REV. A
 NUMBER BC44B-0-0
 SIZE CODE D IA

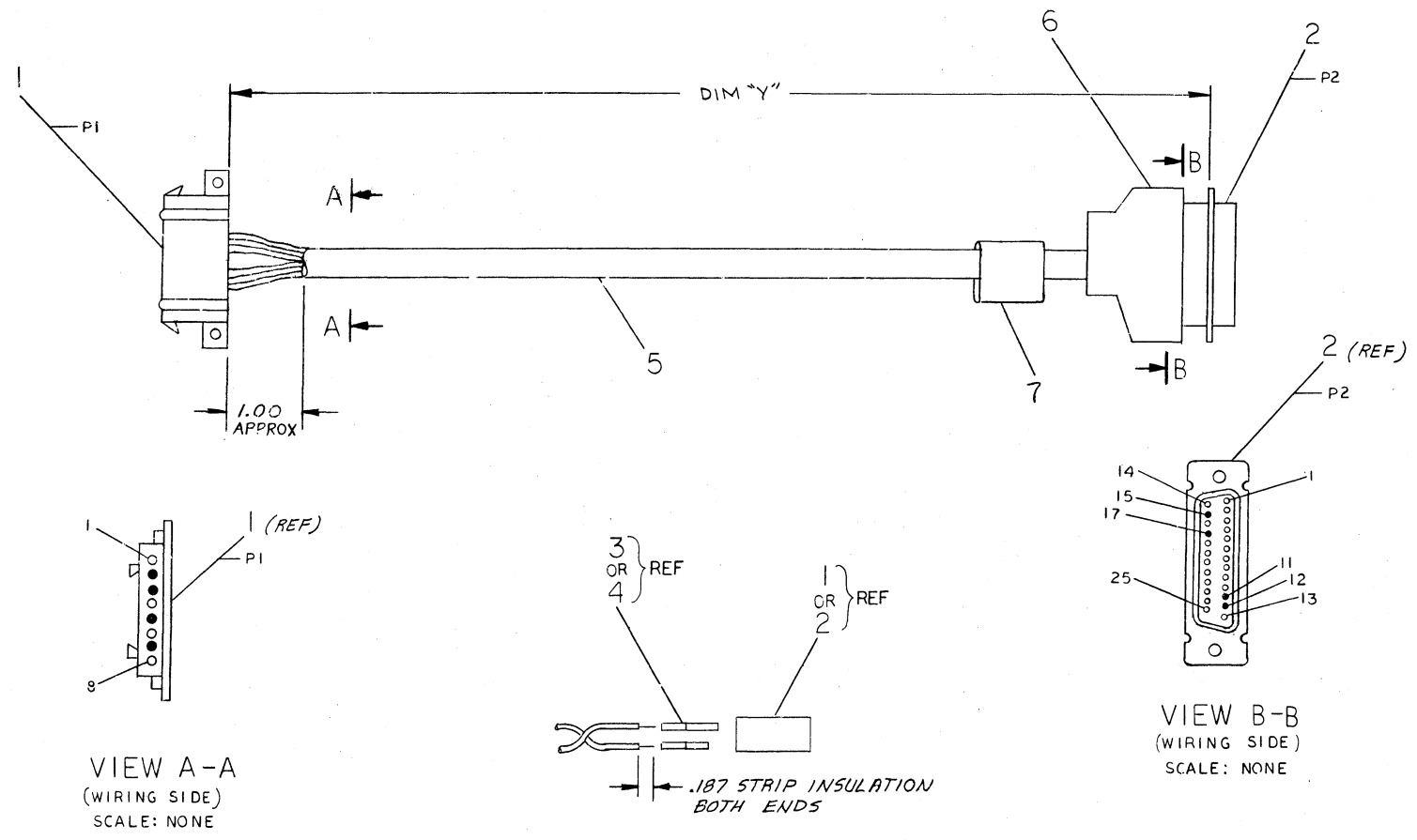
B

A

THIS DRAWING AND SPECIFICATIONS, HEREIN, ARE THE PROPERTY OF DIGITAL EQUIPMENT CORPORATION AND SHALL REMAIN THE PROPERTY OF DIGITAL EQUIPMENT CORPORATION IN WHOLE OR IN PART. NO REPRODUCTION OR SALE OF THIS DRAWING IS PERMITTED WITHOUT WRITTEN PERMISSION. COPYRIGHT © 1978, DIGITAL EQUIPMENT CORPORATION

ITEM NO.	DESCRIPTION	FROM		TO		REMARKS	
		AWG	COLOR	CONN.	WITH		CONN.
5	22	BLK	P1-2	ITEM 3	P2-11	ITEM 4	
5	22	RED	P1-3	ITEM 3	P2-12	ITEM 4	
5	22	WHT	P1-5	ITEM 3	P2-15	ITEM 4	
5	22	GRN	P1-7	ITEM 3	P2-17	ITEM 4	

LEGEND		
PART NO.	VARIATION	REMARKS
BC44C-01	12.00 IN ± 1 IN	



DESCRIPTION	DWG. PART NO.	ITEM NO.
1 LABEL, CABLE I.D.	3616073-00	7
1 CONN JUNCTION SHELL	1210493-50	6
4 CABLE #22AWG (4 COND)	9107706-00	5
4 CONTACT, SOCKET CRIMP	1210493-41	4
4 M/N/L PIN, SOCKET 30-22AWG	1209379-03	3
1 CONN RECPT 25 SOCKET	1210493-32	2
1 MATE-N-LOCK 8 PIN HOUSING, SKT	1209340-00	1

UNLESS OTHERWISE SPECIFIED DIMENSIONS ARE IN INCHES	
ANGLES 30° 30'	CLASS OF ACCURACY
SURFACE QUALITY IN	NOMINAL DIMENSION RANGE INCHES
QUANTITY & VARIATION	MEDIUM
THIRD ANGLE PROJECTION	PREFERRED
REMOVE BURRS AND BREAK SHARP CORNERS	DO NOT SCALE DWG
MATERIAL SEE PARTS LIST	FINISH

DRN	19 OCT 78	FIRST USED ON	11/44
CHK'D	J. F. Sullivan 11/18/79	TITLE	CABLE ADAPTER ASSEMBLY (TO 20MA)
ENG.	R. D. Smith 1/29/79	SIZE	CODE
PRC.	ENG. R. D. Smith 1/29/79	NUMBER	BC44C-0-0
PROD.	1/29/79	REV.	A
NEXT HIGHER ASSY.		SHEET	1 OF 1

REV.	CHANGE NO.	DATE	BY
1	1	11/44	S. HOYLE

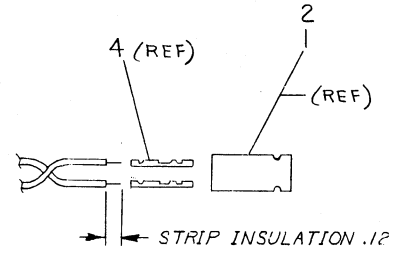
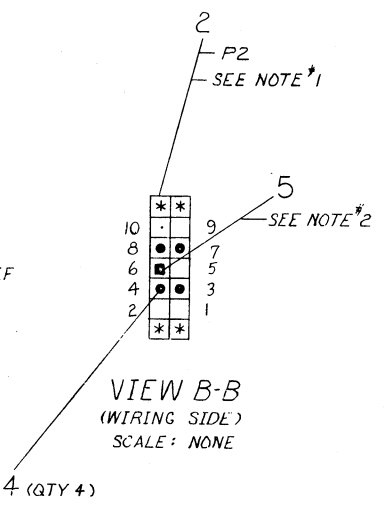
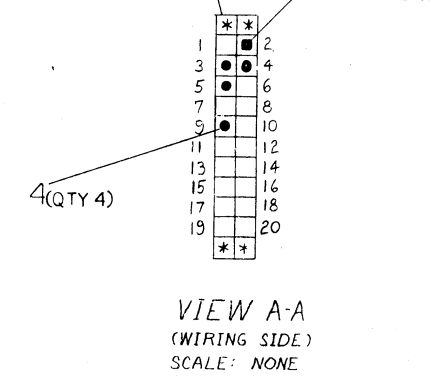
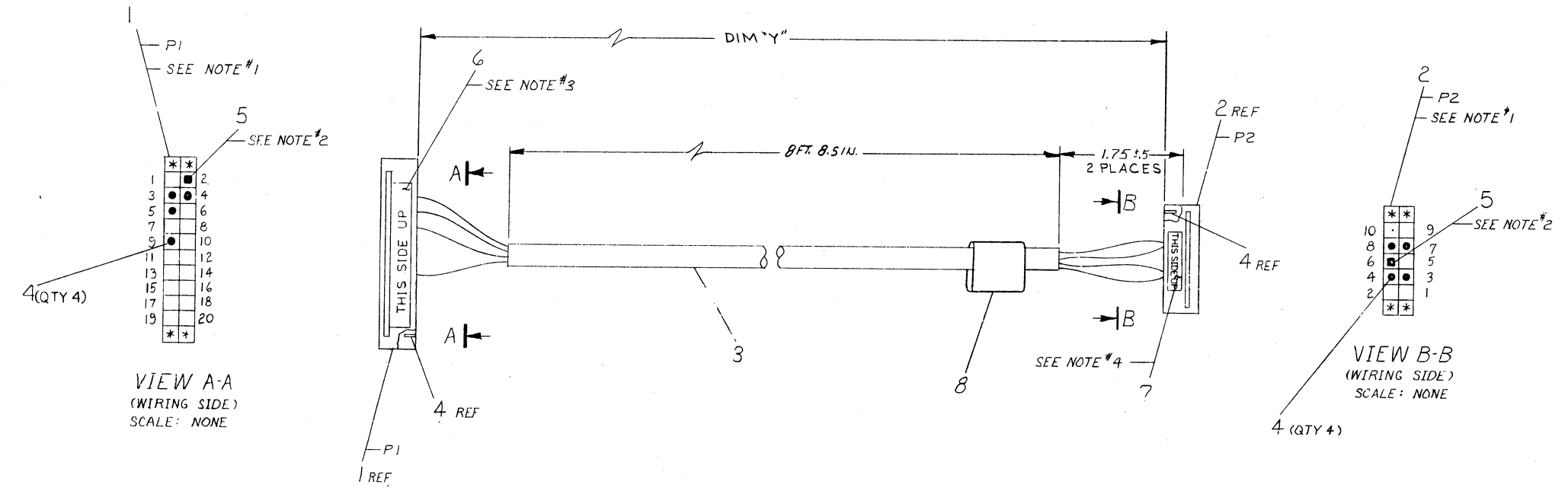
DIGITAL EQUIPMENT CORPORATION
DQC FORM 98
REV 1000-C

"THIS DRAWING AND SPECIFICATIONS, HEREIN, ARE THE PROPERTY OF DIGITAL EQUIPMENT CORPORATION AND SHALL NOT BE REPRODUCED OR COPIED OR USED IN WHOLE OR IN PART AS THE BASIS FOR THE MANUFACTURE OR SALE OF ITEMS WITHOUT WRITTEN PERMISSION. COPYRIGHT © 1975, DIGITAL EQUIPMENT CORPORATION"

WIRE TABLE						
ITEM NO.	DESCRIPTION	FROM		TO		REMARKS
		CONN	WITH	CONN	WITH	
3	22 BLK	P1-3	ITEM 4	P2-7	ITEM 4	
3	22 RED	P1-4	↑	P2-8	↓	
3	22 WHT	P1-5	↓	P2-3	↑	
3	22 GRN	P1-9	ITEM 4	P2-4	ITEM 4	

LEGEND		
PART NO.	VARIATION DIM "Y"	REMARKS
BC44D-09	9 FT. ± 2 IN.	

- NOTES:
- LOCATIONS MARKED (*) IN VIEWS A-A AND B-B ARE NOT TO BE USED.
 - CONNS P1-2 AND P2-6 (ITEMS #1 AND #2) SHALL HAVE ONE KEY (ITEM #5) INSERTED AS SHOWN.
 - PLACE LABEL (ITEM #6) ON P1 CONNECTOR (ITEM #1) AS SHOWN.
 - PLACE LABEL (ITEM #7) ON P2 CONNECTOR (ITEM #2) AS SHOWN.



DESCRIPTION	DWG./PART NO.	ITEM NO.
1 LABEL, CABLE I.D.	3616073-00	8
1 LABEL (THIS SIDE UP) .50 X .25	3611567-02	7
1 LABEL (THIS SIDE UP) 1.0 X .25	3611567-01	6
2 KEY, DUMMY, POLAR.	9009140-00	5
8 SOCKET CRIMP CONTACT	1210089-07	4
3 CABLE 22 AWG (4 COND)	9107706-00	3
1 TERM. HSG (14 POS)	1210918-30	2
1 TERM. HSG (24 POS)	1210918-25	1

UNLESS OTHERWISE SPECIFIED DIMENSIONS ARE IN INCHES	
ANGLES 20°/30°	CLASS OF ACCURACY
SURFACE QUALITY IN	MEDIUM
QUANTITY & VARIATION	PREFERRED
THIRD ANGLE PROJECTION	FIRST USED ON
REMOVE BURRS AND BREAK SHARP CORNERS	TITLE
DO NOT SCALE DWG	NEXT HIGHER ASSY.
MATERIAL SEE PARTS LIST	SCALE
FINISH	SHEET

REV.	CHANGE NO.	CHK.	DATE

DC FORM NO. DND 100-C

8

7

6

5

4

3

2

1

-rw

