

6300B Microwas II

\* THE MATERIAL HEREIN IS FOR INFORMATION PURPOSES ONLY AND IS SUBJECT TO CHANGE WITHOUT NOTICE. DIGITAL EQUIPMENT CORPORATION ASSUMES NO RESPONSIBILITY FOR ANY ERRORS WHICH MAY APPEAR HEREIN.

FIELD MAINTENANCE PRINT SET

\* THIS DRAWING AND SPECIFICATIONS, HEREIN, ARE THE PROPERTY OF DIGITAL EQUIPMENT CORPORATION AND SHALL NOT BE REPRODUCED OR COPIED OR USED IN WHOLE OR IN PART AS THE BASIS FOR THE MANUFACTURE OR SALE OF ITEMS WITHOUT WRITTEN PERMISSION. COPYRIGHT © 1985 DIGITAL EQUIPMENT CORPORATION.

TABLE OF CONTENTS

B-TC-6300B-0-DBU	6300B MICRO VAX II WORLD BOX (TC)
D-UA-6300B-0-DBU	6300B MICRO VAX II WORLD BOX
K-PL-6300B-0-DBP	6300B MICRO VAX II WORLD BOX (PL)
B-DD-6300B-0-DBU	6300B MICRO VAX II WORLD BOX (DD ONLY)
B-DD-M7606-0-0	MICRO VAX II CPU (DD ONLY)
D-UA-M7606-0-0	MICRO VAX II CPU
K-PL-M7606-0-DBP	MICRO VAX II CPU (PL)
D-CS-M7606-0-1	MICRO VAX II CPU
B-DD-5416744-0-0	FUNCTION SEL/SLU CONSOLE CONN (DD ONLY)
D-UA-5416744-0-0	FUNCTION SEL/SLU CONSOLE CONN
K-PL-5416744-0-DBP	FUNCTION SEL/SLU CONSOLE CONN (PL)
D-CS-5416744-0-1	FUNCTION SEL/SLU CONSOLE CONN
B-DD-M9047-0-0	Q BUS GRANT CONTINUITY CARD (DD ONLY)
D-UA-M9047-0-0	Q BUS GRANT CONTINUITY CARD
D-CS-M9047-0-1	Q BUS GRANT CONTINUITY CARD
A-PS-1700712-0-0	CABLE ASSY, 20 PIN
A-PS-1700624-0-0	CABLE CONSOLE BACKPLANE
K-PL-7022382-0-DBP	ACCESSORIES KIT
A-PS-1700301-0-0	CABLE ASSY, 7 COND
MP-02049-01	PRINT SET BA123-A BASIC ENCLOSURE

UNIT VARIATIONS COVERED BY THIS PRINT SET
6300B-A2
6300B-A3
6300B-B2
6300B-B3
6300B-C2
6300B-C3
6300B-D2
6300B-D3

6300B  
 FIELD MAINTENANCE  
 PRINT SET

DIGITAL EQUIPMENT  
 CORPORATION

PRINT SET PART  
 NUMBER MP-02071-01  
 REV A1

FILE NAME: TC-6300B-0-DBUA

DRN. D. HEALY	DATE 25FEB85	TITLE <b>digital</b> 6300B MICRO VAX II WORLD BOX
CHK'D D. HEALY	DATE 19MAR85	
DES. ENG. J. NICHOLS	DATE 19MAR85	
RESP. ENG. K. WORTMAN	DATE 19MAR85	
FIELD SERVICE	DATE	
TOP DOC. B-DD-6300B-0-DBU		SIZE CODE <b>B TC</b>
		NUMBER 6300B-0-DBU
		REV. A

REV. A  
 NUMBER 6300B-0-DBU  
 SIZE CODE **B TC**

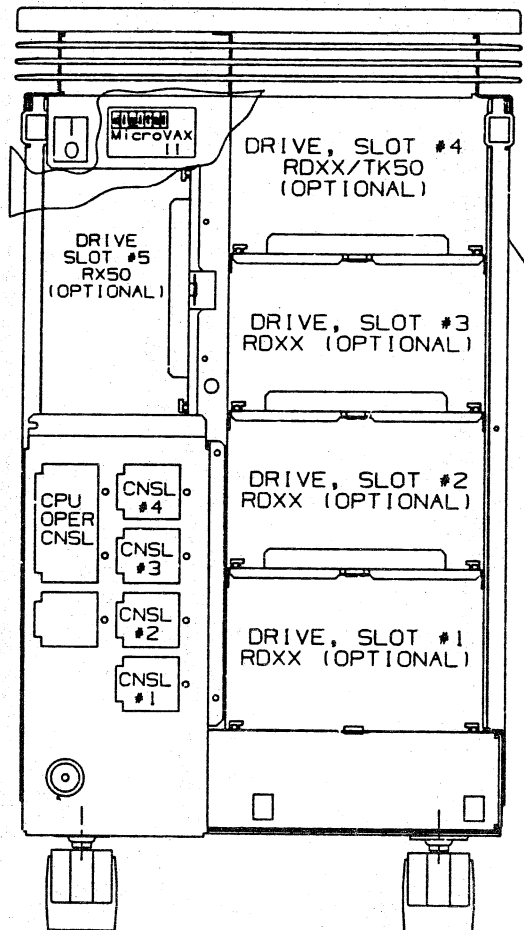


THIS DRAWING AND THE SPECIFICATIONS CONTAINED HEREIN ARE CONFIDENTIAL AND PROPRIETARY. THEY ARE THE PROPERTY OF DIGITAL EQUIPMENT CORPORATION AND SHALL NOT BE REPRODUCED OR COPIED OR USED IN WHOLE OR IN PART AS THE BASIS FOR THE MANUFACTURE OR SALE OF ITEMS WITHOUT WRITTEN PERMISSION. THIS IS AN UNPUBLISHED WORK PROTECTED UNDER THE FEDERAL COPYRIGHT LAWS. 1985

LEGEND		
PART NO.	REV	VARIATION
6300B-A2	A2	1 MB FP 120V
6300B-A3	A2	1 MB FP 240V
6300B-B2	A2	1 MB NO FP 120V
6300B-B3	A2	1 MB NO FP 240V
6300B-C2	A2	256 KB FP 120V
6300B-C3	A2	256 KB FP 240V
6300B-D2	A2	256 KB NO FP 120V
6300B-D3	A2	256 KB NO FP 240V

NOTES:

- BACK PANEL CONFIGURATION RULES & MASS STORAGE CONFIGURATION RULES: REF D-AR-7022380-0-DBU
- ITEM #5 NOT SHOWN ON THIS ASSY.



VIEW A-A  
(FRONT)  
(SEE SHEET 2)  
SHOWN WITHOUT FRONT  
OR SIDE PANELS

C-C

A-A  
(SEE SHEET 2)

LAYER #6: WORK LAYER (SHT 4)  
 LAYER #5: WORK LAYER (SHT 3)  
 LAYER #4: FORMAT LAYER (SHT 2,3 & 4)  
 LAYER #3: WORK LAYER (SHT 2)  
 LAYER #2: FORMAT LAYER (SHT 1)  
 LAYER #1: WORK LAYER (SHT 1)  
 PLOT SCALE: .50  
 SYSTEM #: 20  
 PROGRAM VERSION: UGRAF D4.1  
 FILE NAME: 6300B-0-DBUB  
 TITLE: 6300B MICRO VAX II WORLD BOX

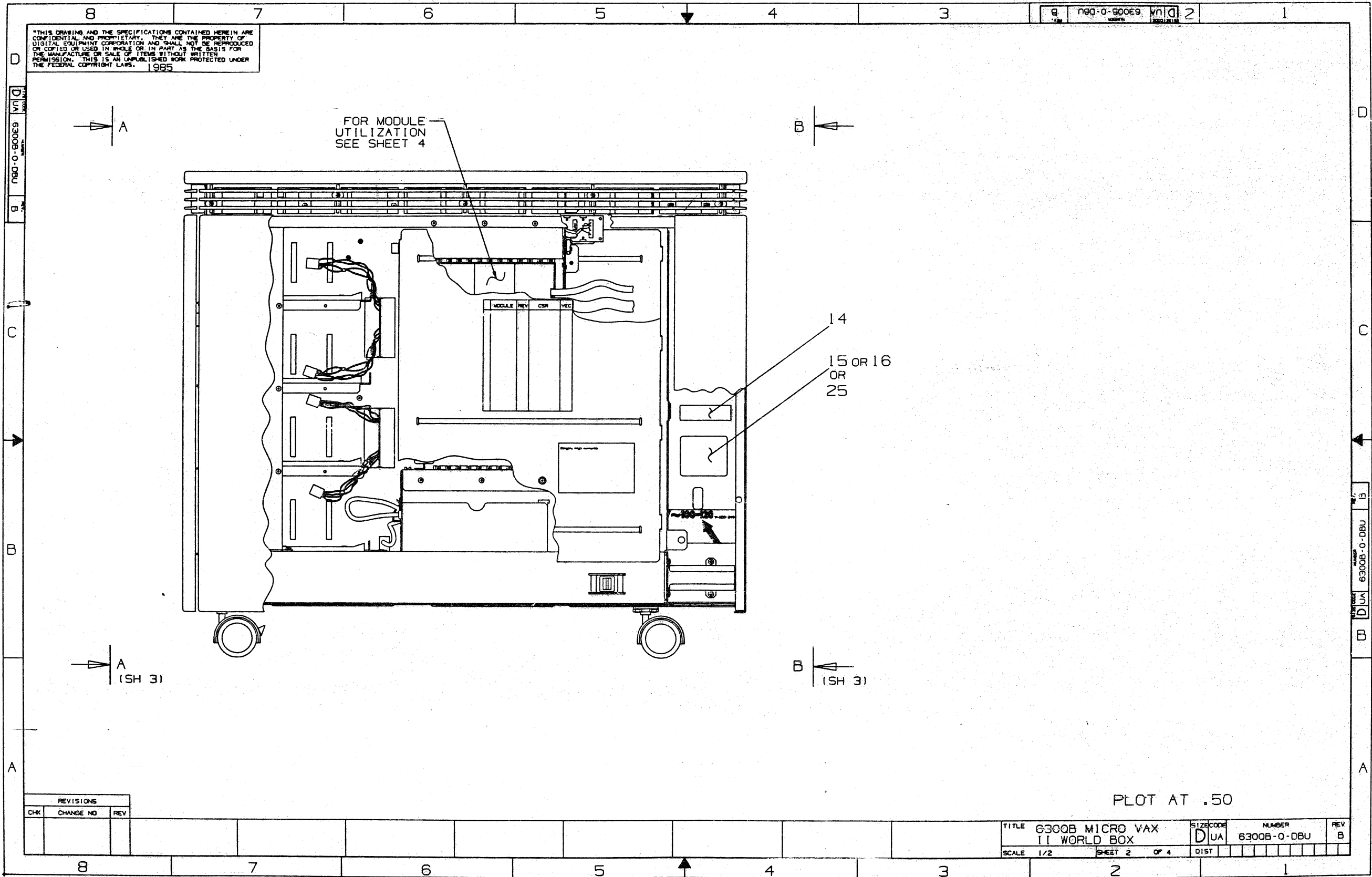
PLOT AT .50

CAUTION: OFF SHEET PARTS LIST EXISTS  
 REFER TO K-PL-6300B-0-DBP  
 (ML 863)

REV.	INITIAL	DATE
A		
B		
C		
D		

REVISIONS  
 CHANGE NO. REV. INITIAL DATE  
 0-1-1 6300B-ML001 B  
 CHRIS DAVID 8 MAY 85  
 JAY NICHOLS 8 MAY 85

DESCRIPTION	DRAWING NO.	PART NO.	ITEM NO.
UNLESS OTHERWISE SPECIFIED DIMENSIONS ARE IN INCHES AND THE FOLLOWING TOLERANCES APPLY (PER DEC STD 114)			
DIMENSIONS	DIMENSION RANGE IN INCHES		
	OVER 12.0	OVER 12.0	OVER 12.0
TOLERANCES	DIMENSION RANGE IN INCHES		
	OVER 12.0	OVER 12.0	OVER 12.0
SURFACE QUALITY	DIMENSION RANGE IN INCHES		
	OVER 12.0	OVER 12.0	OVER 12.0
QUANTITY & VARIATION	DIMENSION RANGE IN INCHES		
	OVER 12.0	OVER 12.0	OVER 12.0
THIRD ANGLE PROJECTION	DATE	TITLE	
DO NOT SCALE DRAWING	22 JAN 85	6300B MICRO VAX II WORLD BOX	
REMOVE BURRS AND BREAK SHARP CORNERS	19 MAR 85	DOCUMENT NUMBER	
MATERIAL	19 MAR 85	D UA 6300B-0-DBU	
SEE PARTS LIST	19 MAR 85	SCALE 1/2 SHEET 1 OF 4	
FINISH NONE	TOP DOC. B-DD-6300B-0-DBU		



"THIS DRAWING AND THE SPECIFICATIONS CONTAINED HEREIN ARE CONFIDENTIAL AND PROPRIETARY. THEY ARE THE PROPERTY OF DIGITAL EQUIPMENT CORPORATION AND SHALL NOT BE REPRODUCED OR COPIED OR USED IN WHOLE OR IN PART AS THE BASIS FOR THE MANUFACTURE OR SALE OF ITEMS WITHOUT WRITTEN PERMISSION. THIS IS AN UNPUBLISHED WORK PROTECTED UNDER THE FEDERAL COPYRIGHT LAWS. 1985

6300B  
 6300B-0-DBU  
 DUA

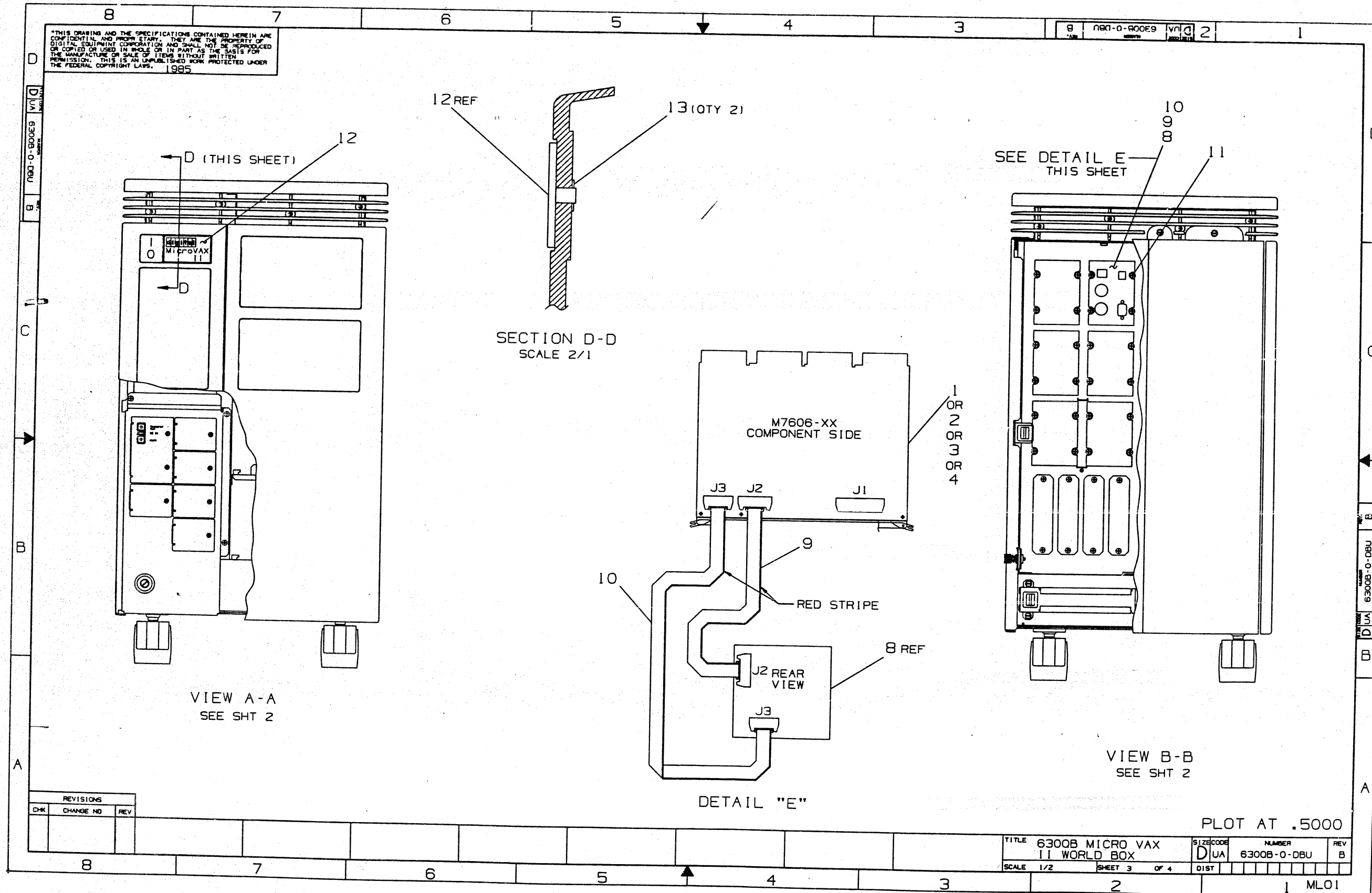
6300B-0-DBU  
 DUA

REVISIONS		
CHK	CHANGE NO	REV

PLOT AT .50

TITLE	6300B MICRO VAX II WORLD BOX	SIZE CODE	DUA	NUMBER	6300B-0-DBU	REV	B
SCALE	1/2	SHEET	2	OF	4	DIST	

THIS DRAWING AND THE SPECIFICATIONS CONTAINED HEREIN ARE CONFIDENTIAL AND PROPRIETARY. THEY ARE THE PROPERTY OF DIGITAL EQUIPMENT CORPORATION AND SHALL NOT BE REPRODUCED OR COPIED OR USED IN WHOLE OR IN PART AS THE BASIS FOR THE MANUFACTURE OR SALE OF ITEMS WITHOUT WRITTEN PERMISSION. THIS IS AN UNPUBLISHED WORK PROTECTED UNDER THE FEDERAL COPYRIGHT LAWS. 1985



REVISIONS		
CHK	CHANGE NO	REV

TITLE	6300B MICRO VAX II WORLD BOX	SIZE CODE	D/UA	NUMBER	6300B-0-DBU	REV	B
SCALE	1/2	SHEET	3	OF	4	01ST	

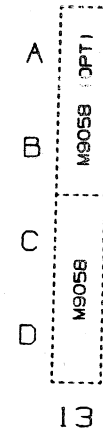
PLOT AT .5000

1 MLO1

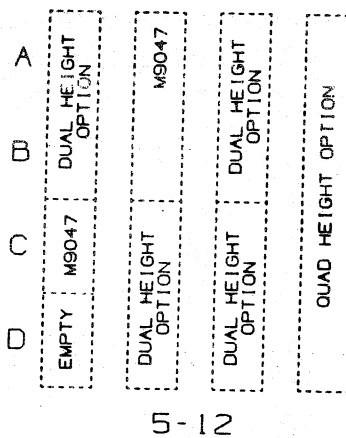
THIS DRAWING AND THE SPECIFICATIONS CONTAINED HEREIN ARE CONFIDENTIAL AND PROPRIETARY. THEY ARE THE PROPERTY OF DIGITAL EQUIPMENT CORPORATION AND SHALL NOT BE REPRODUCED OR COPIED OR USED IN WHOLE OR IN PART AS THE BASIS FOR THE MANUFACTURE OR SALE OF ITEMS WITHOUT WRITTEN PERMISSION. THIS IS AN UNPUBLISHED WORK PROTECTED UNDER THE FEDERAL COPYRIGHT LAWS. 1985

6300B-0-DBU 2

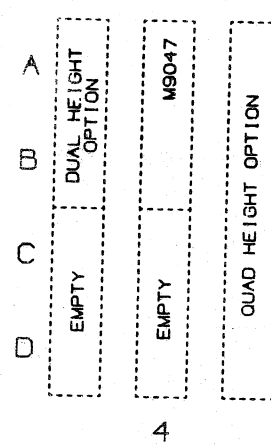
THE MODULE UTILIZATION FOR 13TH SLOT SEE NOTE 9



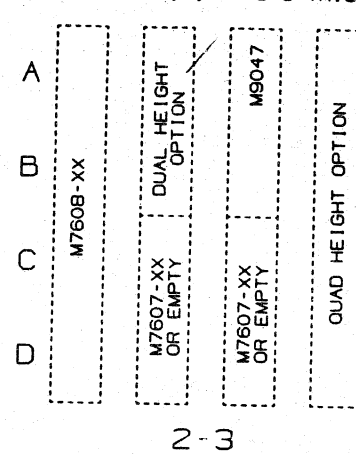
POSSIBLE MODULE UTILIZATIONS FOR SLOTS 5-12 ARE AS FOLLOWS (SEE NOTES 7 AND 8 THIS SHT):



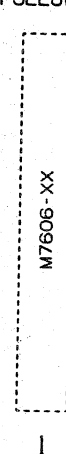
POSSIBLE MODULE UTILIZATIONS FOR SLOT 4 ARE AS FOLLOWS



POSSIBLE MODULE UTILIZATIONS FOR SLOTS 2 AND 3 ARE AS FOLLOWS (SEE NOTES 5, 6, 7 AND 8 THIS SHT):

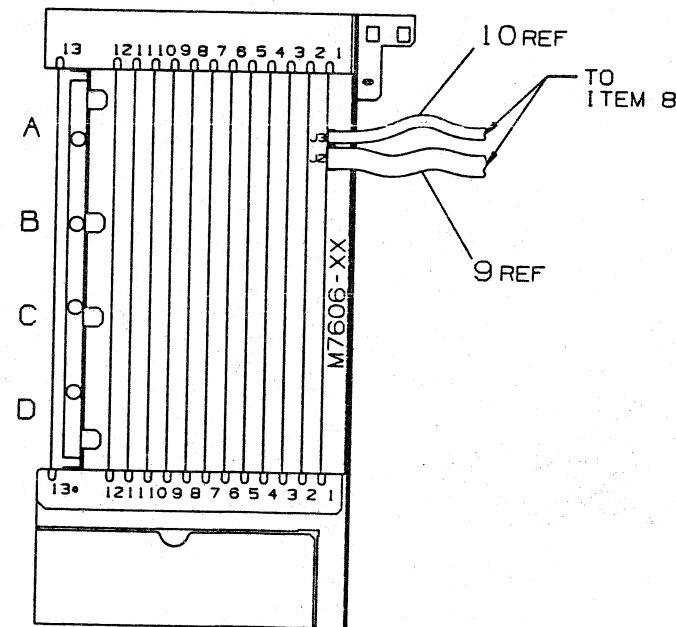


THE MODULE UTILIZATION FOR THE FIRST SLOT IS AS FOLLOWS:



	XZ1	XZ2	XZ3	XZ4	O-BUS (19)	O-BUS (17)	O-BUS (15)	O-BUS (13)	O-BUS (11)	O-BUS (9)	O-BUS (7)	O-BUS (5)	O-BUS (4)	O-BUS (3)	O-BUS (2)	O-BUS (1)
SEE NOTE 4																

SEE NOTES 1, 2 AND 3 THIS SHT



MODULE UTILIZATION

NOTES:

- BACKPLANE VIEWS ARE FROM THE MODULE SIDE
- THE AB ROWS OF SLOTS 1-12 AND THE CD ROWS OF SLOTS 5-12 ARE EACH LABELED "O-BUS" BECAUSE THEY ARE INTERCONNECTED PER THE O-BUS SPECIFICATION. THE NUMBER IN PARENTHESIS SHOWS THE PATH OF INTERRUPT AND DMA GRANT CONTINUITY; INCREASING VALUE DENOTES DECREASING PRIORITY.
- THE CD ROWS OF SLOTS 1-4 ARE LABELED "CD" BECAUSE THEY ARE CONNECTED PER THE "CD INTERCONNECT" SPECIFICATION. THIS INTERCONNECT CONNECTS SELECTED SIDE TWO PINS OF A GIVEN SLOT TO SIDE ONE PINS OF THE NEXT SLOT.
- THE BACKPLANE INCLUDES FOUR RESISTOR PACKS IN LOCATIONS XZ1, XZ2, XZ3 AND XZ4. THESE RESISTOR PACKS PROVIDE AN ADDITIONAL 120 OHMS OF TERMINATION TO THE O-BUS LINES.
- THE SYSTEM MAY CONTAIN UP TO TWO MS630 MEMORY MODULES, LOCATED IN SLOTS 2 AND 3 (A SINGLE MS630 MODULE MUST BE LOCATED IN SLOT 2). A QUAD HEIGHT MS630 (M7608-A(X) OR M7608-B(X)) FILLS THE ENTIRE SLOT. A DUAL HEIGHT MS630 (M7607-A(X)) OCCUPIES THE CD ROWS ONLY.
- IF SLOTS 2 AND 3 (OR SLOT 3) ARE NOT USED FOR MS630 MEMORY MODULE(S), AND ARE NOT REQUIRED FOR O-BUS OPTIONS, THEN RESERVE THEM (IT) FOR FUTURE MEMORY MODULE EXPANSION WITH M9047 GRANT CONTINUITY CARD(S) IN ROW AB.
- QUAD HEIGHT O-BUS OPTIONS MAY BE ADDED TO ANY OPEN SLOTS, AND DUAL HEIGHT O-BUS OPTIONS MAY BE ADDED TO ANY OPEN "O-BUS" HALF SLOTS. ALL UNUSED "O-BUS" HALF SLOTS WHICH PRECEED THE LAST OPTION MUST CONTAIN GRANT CONTINUITY MODULES (M9047) TO PASS GRANTS TO MODULES OF A LOWER PRIORITY. UNUSED "CD" HALF SLOTS ARE LEFT VACANT. (NOTES 2 AND 3 IDENTIFY THE "O-BUS" AND "CD" HALF SLOTS).
- FOR MORE INFORMATION ON BACKPLANE SLOT ASSIGNMENTS, REFER TO THE SYSTEM TECHNICAL MANUAL.
- REF D-AR-7022380-0-DBU FOR MODULE UTILIZATION REQUIREMENTS.

REVISIONS		
CHK	CHANGE NO	REV

PLOT AT .50

TITLE 6300B MICRO VAX II WORLD BOX  
 SIZE CODE DUA NUMBER 6300B-0-DBU REV B  
 SCALE 1/2 SHEET 4 OF 4 DIST

LINE	ITEM	TOP DOCUMENT	PART NUMBER	MIN REV	DESCRIPTION	QTY PER VARIATION							
						A2	A3	B2	B3	C2	C3	D2	D3
1	1	B-DD-M7606-0-0	M7606-AA		MICROVAX II W/1MB.FP,INCLUDES TI	1	1	-	-	-	-	-	-
2	2	B-DD-M7606-0-0	M7606-BA		M7606-AA W/NO FP (CPU,1MB) = M76	-	-	1	1	-	-	-	-
3	3	B-DD-M7606-0-0	M7606-CA		M7606-AA W/256KB MEM (CPU,256KB,	-	-	-	-	1	1	-	-
4	4	B-DD-M7606-0-0	M7606-DA		M7606-AA W/256KB MEM,NO FP = M76	-	-	-	-	-	-	1	1
5	5	K-PL-7022382-0-DBP	7022382-02		BA123-A ACCESSORY KIT	1	1	1	1	1	1	1	1
6	6	B-DD-7022380-0-DBU	7022380-01		BA123-A BASIC ENCLOSURE (120V)	1	-	1	-	1	-	1	-
7	7	B-DD-7022380-0-DBU	7022380-02		BA123-A BASIC ENCLOSURE (240V)	-	1	-	1	-	1	-	1
8	8	B-DD-5416744-0-0	5416744-01		FUNCTION SEL/SLU CONSOLE CONNECT	1	1	1	1	1	1	1	1
9	9	A-PS-1700712-0-0	1700712-02	A	WIRE HARN ASSY 20COND 30AWG 20SK	1	1	1	1	1	1	1	1
10	10	A-PS-1700624-0-0	1700624-01	A	CABLE ASSY,10COND,FLAT,10(2X05)I	1	1	1	1	1	1	1	1
11	11	A-PS-9010174-0-0	9010174-00	C	SCREW,SEMS PAN PHIL 6-	4	4	4	4	4	4	4	4
12	12	D-MD-7431480-0-0	7431480-03	A	MEDALLIAN SYSTEM LOGO (630QB)	1	1	1	1	1	1	1	1
13	13	A-PS-9009257-0-0	9009257-02	D	RING,RETAINER EXTERNAL FOR .188	2	2	2	2	2	2	2	2
14	14	A-PS-3617880-0-0	3617880-02		LABEL,FCC,CLASS A,PROCESSOR	1	1	1	1	1	1	1	1
15	15	A-PS-3624471-0-0	3624471-01	A	LABEL,BUSINESS COMP BA123-A2	1	-	1	-	1	-	1	-
16	16	A-PS-3624471-0-0	3624471-02	A	LABEL,BUSINESS COMP BA123-A3	-	1	-	1	-	1	-	1
17	17	A-PS-1700198-0-0	1700198-00	B	PWR CORD,TERM 3-18 250	-	REF	-	REF	-	REF	-	REF
18	18	A-PS-1700199-0-0	1700199-00	A	PWR CORD,TERM 3 250	-	REF	-	REF	-	REF	-	REF
19	19	A-PS-1700209-0-0	1700209-00	A	PWR CORD,TERM 3- .75MM 5A 250	-	REF	-	REF	-	REF	-	REF
20	20	A-PS-1700210-0-0	1700210-01	A	PWR CORD,TERM 3- .75MM 250V 6	-	REF	-	REF	-	REF	-	REF
21	21	A-PS-1700310-0-0	1700310-01	A	PWR CORD,TERM 3- .75MM 250	-	REF	-	REF	-	REF	-	REF
22	22	A-PS-1700364-0-0	1700364-01	A	PWR CORD,TERM 3- .75MM 250V	-	REF	-	REF	-	REF	-	REF
23	23	D-AR-7022380-0-DBU			BA123-A SYSTEM ARRANGEMENT	REF	REF	REF	REF	REF	REF	REF	REF
24	24	B-DD-M9047-0-0	M9047-00		QBUS GRANT CONTINUITY,1ST USED I	A/R	A/R	A/R	A/R	A/R	A/R	A/R	A/R
25	25	A-PS-3617674-0-0	3617674-22		LABEL,SERIAL/POWER,W/UL & CSA MA	A/R	A/R	A/R	A/R	A/R	A/R	A/R	A/R

REVISION HISTORY		BASIC PART NO: 630QB		DRN: D. RICHARD	DATE: 19-FEB-85	DIGITAL	
ENG	ECO NUMBER	REV	SECTION A OF A	CHK'D: D. HEALY	DATE: 19-MAR-85	TITLE PARTS LIST	
JN	630QB-ML001	B	SECTION VARIATION INDEX [A]A2,A3,B2,B3,C2,C3, D2,D3	DES.ENG: J. NICHOLS	DATE: 19-MAR-85	630QB MICRO VAX II WORLD BOX	
			[B]	RESP.ENG.: J. NICHOLS	DATE: 19-MAR-85	DOCUMENT NUMBER	
			[C]	MFG.ENG.: K. WORTMAN	DATE: 19-MAR-85	SIZE	CODE
			[D]	ASSEMBLY NUMBER:	TOP DOCUMENT NUMBER:	NUMBER	REV
			[E]	D-UA-630QB-0-DBU	B-DD-630QB-0-DBU	630QB-0-DBP	B
			[F]			RELEASE DATE: 07-MAY-85	
						FILE NAME:	EDIT #
						ML863B.PLS	14

"THIS DRAWING AND THE SPECIFICATIONS CONTAINED HEREIN ARE CONFIDENTIAL AND PROPRIETARY. THEY ARE THE PROPERTY OF DIGITAL EQUIPMENT CORPORATION AND SHALL NOT BE REPRODUCED OR COPIED OR USED IN WHOLE OR IN PART AS THE BASIS FOR THE MANUFACTURE OR SALE OF ITEMS WITHOUT WRITTEN PERMISSION. THIS IS AN UNPUBLISHED WORK PROTECTED UNDER THE FEDERAL COPYRIGHT LAWS."

AUTOMATED BY PRTLST.5R(55)

PARTS LIST

SHEET A2 OF A2

LINE ITEM	TOP DOCUMENT	PART NUMBER	MIN REV	DESCRIPTION	QTY PER VARIATION							
					A2	A3	B2	B3	C2	C3	D2	D3
				VARIATION REVISION LEVEL:	A2	A2	A2	A2	A2	A2	A2	A2

26 NOTE: DEPENDING ON RAM VENDOR, MODULE MAY BE STAMPED AD/AH, BC/BH, CC/CH, DC/DH

D	I	G	I	T	A	L	TITLE	630QB MICRO VAX II WORLD BOX	SECTION A OF A	SIZE	CODE	DOCUMENT NUMBER	REV
										K	PL	630QB-0-DBP	B



" THE MATERIAL HEREIN IS FOR INFORMATION PURPOSES ONLY AND IS SUBJECT TO CHANGE WITHOUT NOTICE. DIGITAL EQUIPMENT CORPORATION ASSUMES NO RESPONSIBILITY FOR ANY ERRORS WHICH MAY APPEAR HEREIN."

# DRAWING DIRECTORY

" THIS DRAWING AND SPECIFICATIONS, HEREIN, ARE THE PROPERTY OF DIGITAL EQUIPMENT CORPORATION AND SHALL NOT BE REPRODUCED OR COPIED OR USED IN WHOLE OR IN PART AS THE BASIS FOR THE MANUFACTURE OR SALE OF ITEMS WITHOUT WRITTEN PERMISSION." COPYRIGHT © 1985 DIGITAL EQUIPMENT CORPORATION.

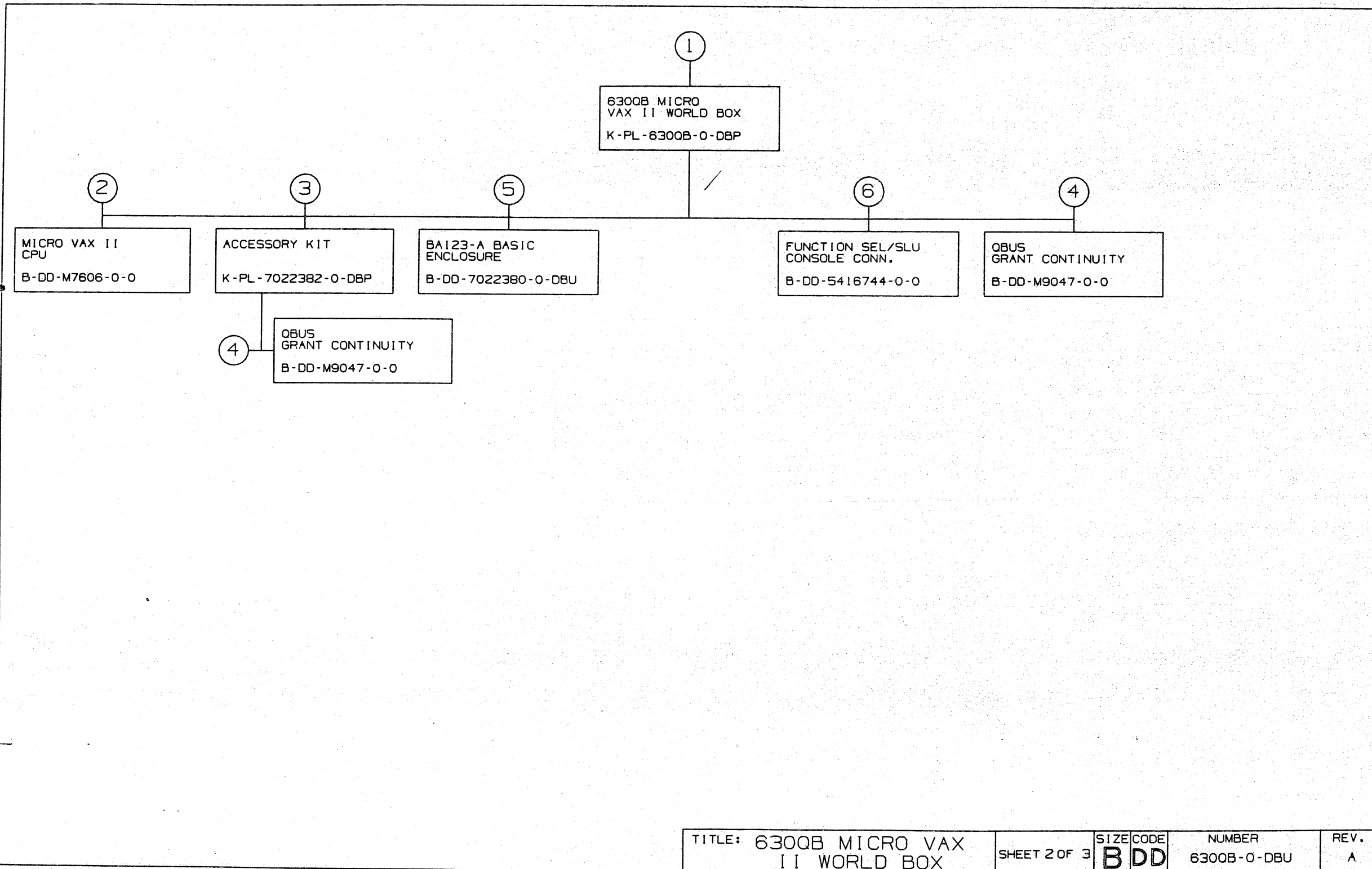
### UNIT VARIATIONS

VAR	TITLE
6300B-A2	MICRO VAX II WORLD BOX I MB FP 120V
6300B-A3	MICRO VAX II WORLD BOX I MB FP 240V
6300B-B2	MICRO VAX II WORLD BOX I MB NO FP 120V
6300B-B3	MICRO VAX II WORLD BOX I MB NO FP 240V
6300B-C2	MICRO VAX II WORLD BOX 256 KB FP 120V
6300B-C3	MICRO VAX II WORLD BOX 256 KB FP 240V
6300B-D2	MICRO VAX II WORLD BOX 256 KB NO FP 120V
6300B-D3	MICRO VAX II WORLD BOX 256 KB NO FP 240V

FILE NAME: DD-6300B-0-DBUA

REVISIONS	REV.	A		USED ON OPTION/MODEL	DRN. D. HEALY	DATE 25FEB85	TITLE <div style="text-align: right; font-weight: bold;">6300B MICRO VAX II WORLD BOX</div>	
	CHANGE NO.	INITIAL			CHK'D D. HEALY	DATE 19MAR85		
					PROJ. ENG. J. NICHOLS	DATE 19MAR85		
					PROD. K. WORTMAN	DATE 19MAR85		
	CHK							
					TOP DOC. B-DD-6300B-0-DBU	SHEET 1 OF 3	SIZE CODE <b>BDD</b>	NUMBER 6300B-0-DBU

MLO1



TITLE: 6300B MICRO VAX II WORLD BOX	SHEET 2 OF 3	SIZE CODE <b>BDD</b>	NUMBER 6300B-0-DBU	REV. A
-------------------------------------	--------------	-------------------------	-----------------------	-----------

FIND NO.	DRAWING NO.	DESCRIPTION	TYPE	FIND NO.	DRAWING NO.	DESCRIPTION	TYPE
1	MP-02071-01	6300B MICRO VAX II WORLD BOX (MP)	-				
	B-TC-6300B-0-DBU	6300B MICRO VAX II WORLD BOX (TC)	-				
	D-UA-6300B-0-DBU	6300B MICRO VAX II WORLD BOX	E/M				
	K-PL-6300B-0-DBP	6300B MICRO VAX II WORLD BOX (PL)	E/M				
	A-PS-1700712-0-0	CABLE ASSY, 20 PIN	E/M				
	A-PS-1700624-0-0	CABLE CONSOLE BACKPLANE	E/M				
	D-MD-7431480-0-DBU	MEDALLIAN SYSTEM LOGO (6300B)	E/M				
	A-PS-3617880-0-0	LABEL, FCC CLASS A PROCESSOR	M				
	A-PS-3624471-0-0	LABEL, BUSINESS COMPUTER	M				
2	B-DD-M7606-0-0	MICRO VAX II CPU	E/M				
3	K-PL-7022382-0-DBP	ACCESSORY KIT	E/M				
	A-PS-1700301-0-0	CABLE ASSY, 7 COND	E/M				
	A-PS-3622092-0-0	LABEL, LCPS CONFIGURATION	M				
	A-PS-3624251-0-0	LABEL, MULTI LINGUAL F. PANEL	M				
4	B-DD-M9047-0-0	O BUS GRANT CONTINUITY CARD	E/M				
5	B-DD-7022380-0-DBU	BA123-A BASIC ENCLOSURE	E/M				
6	B-DD-5416744-0-0	FUNCTION SEL/SLU CONSOLE CONN.	E/M				

TYPE: E ELECTRICAL  
M MECHANICAL  
E/M ELECTRO/MECHANICAL

**digital**

TITLE: 6300B MICRO VAX  
II WORLD BOX

SHEET 3 OF 3	SIZE CODE <b>B DD</b>	NUMBER 6300B-0-DBU	REV. A
--------------	--------------------------	-----------------------	-----------

DRB 108A

DRAWING NO.	NO. OF SHTS.	PART NO.	DESCRIPTION	REVISIONS															
				B1	C1	D1	E1	F1											
		M7606	KA630	A	A	B	B	B											
D-UA-M7606-0-0	1		KA630 UNIT ASSEMBLY	A	A	B	B	B											
K-PL-M7606-0-DBP	2		KA630 PARTS LIST	A	B	C	D	E											
K-PC-M7606-0-DBJ	1		P.C. DESIGN DATA BASE	E	E	E	E	E											
		5016523-01	ETCHED CIRCUIT BOARD	E1	E1	E1	E1	E1											
B-DD-5016523-0-0	1		DRAWING DIRECTORY	A	A	A	A	A											
B-CS-M7606-0-1	1		M7606 DRAWING DIRECTORY	-	B	B	B	B											
B-CS-M7606-0-2	1		MICROVAX II SYSTEM	-	B	B	B	B											
B-CS-M7606-0-3	1		KA630-UVAX ON Q22 BUS	-	B	B	B	B											
B-CS-M7606-0-4	1		UVAX & FPU	-	B	B	B	B											
B-CS-M7606-0-5	1		UVAX & FPU PINOUTS	-	-	-	-	-											
B-CS-M7606-0-6	1		ADDRESS LATCH/LOCAL MEMORY DECODE	-	B	B	B	B											
B-CS-M7606-0-7	1		MEMORY SUBSYSTEM	-	B	B	B	B											
B-CS-M7606-0-8	1		Q22 BUS INTERFACE GATE ARRAY	-	B	B	B	B											
B-CS-M7606-0-9	1		Q22 BUS INTERFACE GATE ARRAY	-	B	B	B	B											
B-CS-M7606-0-10	1		DC380 PAD ASSIGNMENT TOP VIEW LL5320 IN 144 PIN GRID ARRAY	-	B	B	B	B											
B-CS-M7606-0-11	1		REFRESH LOGIC/COUNTER	-	B	B	B	B											
B-CS-M7606-0-12	1		DIVIDE BY 12	-	B	B	B	B											
B-CS-M7606-0-13	1		SYNCHRONOUS 3 BIT COUNTER	-	B	B	B	B											

**NOTES:**

REVISION HISTORY		A	B	C	D	E
DATE	ECO NO.	INIT	MLO01	MLO02	MLO03	MLO04
5/84						
5/85						
6/85						
7/85						
8/85						

THIS DRAWING AND THE SPECIFICATIONS CONTAINED HEREIN ARE CONFIDENTIAL AND PROPRIETARY. THEY ARE THE PROPERTY OF DIGITAL EQUIPMENT CORPORATION AND SHALL NOT BE REPRODUCED OR COPIED OR USED IN WHOLE OR IN PART AS THE BASIS FOR THE MANUFACTURE OR SALE OF ITEMS WITHOUT WRITTEN PERMISSION. THIS IS AN UNPUBLISHED WORK PROTECTED UNDER THE FEDERAL COPYRIGHT LAWS.

1984



DRN. D. DROZD	DATE 5/17/84	TITLE	
CHK'D E. LANDRY	DATE 5/17/84	KA630	
DES. ENG. B. MASKAS	DATE 5/17/84	DOCUMENT NUMBER	
RESP. ENG. B. MASKAS	DATE 5/17/84	SIZE B	CODE DD
MFG. ENG. B. SCHULTE	DATE 9/24/84	NUMBER M7606-0-0	REV E
		SHEET 1 OF 4	

DRAWING NO.	NO. OF SHTS.	PART NO.	DESCRIPTION	REVISIONS															
				-	B	B	B	B											
B-CS-M7606-0-14	1		VECTOR HACK	-	B	B	B	B											
B-CS-M7606-0-15	1		INVERTING MUX LOGIC	-	B	B	B	B											
B-CS-M7606-0-16	1		4 to 1 MUX	-	B	B	B	B											
B-CS-M7606-0-17	1		Q-BUS SUPPORT LOGIC	-	B	B	B	B											
B-CS-M7606-0-18	1		BLK MD CTR LOGIC	-	B	B	B	B											
B-CS-M7606-0-19	1		TOGGLE FLOP	-	B	B	B	B											
B-CS-M7606-0-20	1		Q-BUS SUPPORT LOGIC	-	B	B	B	B											
B-CS-M7606-0-21	1		Q-BUS SUPPORT LOGIC	-	B	B	B	B											
B-CS-M7606-0-22	1		Q-BUS SUPPORT LOGIC	-	B	B	B	B											
B-CS-M7606-0-23	1		Q-BUS SUPPORT LOGIC	-	B	B	B	B											
B-CS-M7606-0-24	1		POWER BUFFER MACRO	-	B	B	B	B											
B-CS-M7606-0-25	1		BIDIRECT BUFFER	-	B	B	B	B											
B-CS-M7606-0-26	1		MUX LOGIC	-	B	B	B	B											
B-CS-M7606-0-27	1		TRANSLATION MAP GROUP	-	B	B	B	B											
B-CS-M7606-0-28	1		KA630 Q-BUS INTERFACE	-	B	B	B	B											
B-CS-M7606-0-29	1		UVAX INTERFACE GATE ARRAY	-	B	B	B	B											
B-CS-M7606-0-30	1		DC379 PAD ASSIGNMENT TOP VIEW LL5320 IN 144 PIN GRIP ARRAY	-	B	B	B	B											
B-CS-M7606-0-31	1		UVAX INTERFACE GATE ARRAY DATA PATH		B	B	B	B											
B-CS-M7606-0-32	1		UVDAL I/O BUFFERS, ADDR LATCHES	-	B	B	B	B											


**NOTES:**

REVISION HISTORY		REV.	A	B	C	D	E									
DATE	ECO NO.		INIT	ML001	ML002	ML003	ML004									
5/84																
5/85																
6/85																
7/85																
8/85																

THIS DRAWING AND THE SPECIFICATIONS CONTAINED HEREIN ARE CONFIDENTIAL AND PROPRIETARY. THEY ARE THE PROPERTY OF DIGITAL EQUIPMENT CORPORATION AND SHALL NOT BE REPRODUCED OR COPIED OR USED IN WHOLE OR IN PART AS THE BASIS FOR THE MANUFACTURE OR SALE OF ITEMS WITHOUT WRITTEN PERMISSION. THIS IS AN UNPUBLISHED WORK PROTECTED UNDER THE FEDERAL COPYRIGHT LAWS. 1984



DRN. D. DROZD	DATE 5/17/84	TITLE	
CHK'D E. LANDRY	DATE 5/17/84	KA630	
DES. ENG. B. MASKAS	DATE 5/17/84	DOCUMENT NUMBER	
RESP. ENG. B. MASKAS	DATE 5/17/84	SIZE B DD	NUMBER M7606-0-0
MFG. ENG. B. SCHULTE	DATE 9/24/84	REV. E	SHEET 2 OF 4

DRAWING NO.	NO. OF SHTS.	PART NO.	DESCRIPTION	REVISIONS																																																																																																																																																					
B-CS-M7606-0-33	1		ADDRESS DECODER	-	B	B	B	B																																																																																																																																																	
B-CS-M7606-0-34	1		EXCEPTIONS AND INTERRUPTS	-	B	B	B	B																																																																																																																																																	
B-CS-M7606-0-35	1		UVAX INPUTS AND I/O PINS	-	B	B	B	B																																																																																																																																																	
B-CS-M7606-0-36	1		BOOT/DIAG REG., MEM ERR ADDR REG.	-	B	B	B	B																																																																																																																																																	
B-CS-M7606-0-37	1		EPR BUS, X DAL BUS	-	B	B	B	B																																																																																																																																																	
B-CS-M7606-0-38	1		INTERNAL DATA BUSES	-	B	B	B	B																																																																																																																																																	
B-CS-M7606-0-39	1		MISC. CONTROL STROBES	-	B	B	B	B																																																																																																																																																	
B-CS-M7606-0-40	1		RESET COUNTER, POWER UP/DOWN CNTRL	-	B	B	B	B																																																																																																																																																	
B-CS-M7606-0-41	1		MEMORY SYSTEM ERROR REGISTER	-	B	B	B	B																																																																																																																																																	
B-CS-M7606-0-42	1		TIME OF YEAR (TOY) CLOCK	-	B	B	B	B																																																																																																																																																	
B-CS-M7606-0-43	1		CONSOLE SERIAL LINE INTERFACE	-	B	B	B	B																																																																																																																																																	
B-CS-M7606-0-44	1		LEDS AND CONFIGURATION CONNECTOR	-	B	B	B	B																																																																																																																																																	
B-CS-M7606-0-45	1		DECOUPLING CAPACITORS	-	B	B	B	B																																																																																																																																																	
B-CS-M7606-0-46	1		KA630 STATE MACHINES	-	B	B	B	B																																																																																																																																																	
B-CS-M7606-0-47	1		UVAX CYCLE CONTROLLER	-	B	B	B	B																																																																																																																																																	
B-CS-M7606-0-48	1		MEMORY SEQUENCER	-	B	B	B	B																																																																																																																																																	
B-CS-M7606-0-49	1		MEMORY SEQUENCER SUPPORT	-	B	B	B	B																																																																																																																																																	
B-CS-M7606-0-50	1		Q22 BUS STATE MACHINES	-	B	B	B	B																																																																																																																																																	
B-CS-M7606-0-51	1		KA630 MEMORY ARBITER LISTING	-	-	-	-	-																																																																																																																																																	
<b>NOTES:</b>				<table border="1"> <thead> <tr> <th colspan="2">REVISION HISTORY</th> <th>REV.</th> <th>A</th> <th>B</th> <th>C</th> <th>D</th> <th>E</th> <th colspan="11"></th> </tr> <tr> <th>DATE</th> <th>ECO NO.</th> <th></th> <th></th> <th></th> <th></th> <th></th> <th></th> <th></th><th></th><th></th><th></th><th></th><th></th><th></th><th></th><th></th><th></th><th></th> </tr> </thead> <tbody> <tr> <td>5/84</td> <td>INIT</td> <td></td> <td></td> <td></td> <td></td> <td></td> <td></td> <td></td><td></td><td></td><td></td><td></td><td></td><td></td><td></td><td></td><td></td><td></td> </tr> <tr> <td>5/85</td> <td>MLO01</td> <td></td> <td></td> <td></td> <td></td> <td></td> <td></td> <td></td><td></td><td></td><td></td><td></td><td></td><td></td><td></td><td></td><td></td><td></td> </tr> <tr> <td>6/85</td> <td>MLO02</td> <td></td> <td></td> <td></td> <td></td> <td></td> <td></td> <td></td><td></td><td></td><td></td><td></td><td></td><td></td><td></td><td></td><td></td><td></td> </tr> <tr> <td>7/85</td> <td>MLO03</td> <td></td> <td></td> <td></td> <td></td> <td></td> <td></td> <td></td><td></td><td></td><td></td><td></td><td></td><td></td><td></td><td></td><td></td><td></td> </tr> <tr> <td>8/85</td> <td>MLO04</td> <td></td> <td></td> <td></td> <td></td> <td></td> <td></td> <td></td><td></td><td></td><td></td><td></td><td></td><td></td><td></td><td></td><td></td><td></td> </tr> </tbody> </table>																	REVISION HISTORY		REV.	A	B	C	D	E												DATE	ECO NO.																		5/84	INIT																		5/85	MLO01																		6/85	MLO02																		7/85	MLO03																		8/85	MLO04																	
																					REVISION HISTORY		REV.	A	B	C	D	E																																																																																																																													
																					DATE	ECO NO.																																																																																																																																			
																					5/84	INIT																																																																																																																																			
																					5/85	MLO01																																																																																																																																			
																					6/85	MLO02																																																																																																																																			
7/85	MLO03																																																																																																																																																								
8/85	MLO04																																																																																																																																																								
<p>THIS DRAWING AND THE SPECIFICATIONS CONTAINED HEREIN ARE CONFIDENTIAL AND PROPRIETARY. THEY ARE THE PROPERTY OF DIGITAL EQUIPMENT CORPORATION AND SHALL NOT BE REPRODUCED OR COPIED OR USED IN WHOLE OR IN PART AS THE BASIS FOR THE MANUFACTURE OR SALE OF ITEMS WITHOUT WRITTEN PERMISSION. THIS IS AN UNPUBLISHED WORK PROTECTED UNDER THE FEDERAL COPYRIGHT LAWS. 1984</p>								DRN. D.DROZD		DATE 5/17/84		TITLE KA630 DOCUMENT NUMBER NUMBER M7606-0-0 SHEET 3 OF 4																																																																																																																																													
								CHK'D E.LANDRY		DATE 5/17/84																																																																																																																																															
								DES. ENG. B.MASKAS		DATE 5/17/84																																																																																																																																															
								RESP. ENG. B.MASKAS		DATE 5/17/84																																																																																																																																															
								MFG. ENG. B.SCHULTE		DATE 9/24/84																																																																																																																																															
				SIZE B		CODE DD		REV E																																																																																																																																																	

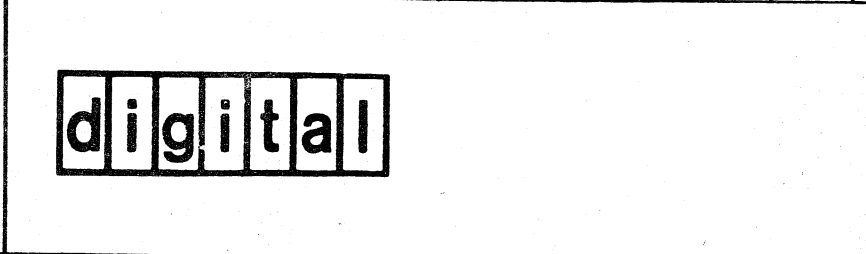
DRAWING NO.	NO. OF SHTS.	PART NO.	DESCRIPTION	REVISIONS															
				-	B	B	B	B											
B-CS-M7606-0-52	1		KA630 MEMORY SYSTEM ARBITER STATE FLOW DIAGRAMS	-	B	B	B	B											
B-CS-M7606-0-53	1		KA630 MEMORY SYSTEM ARBITER STATE FLOW DIAGRAMS	-	B	B	B	B											
B-CS-M7606-0-54	1		KA630 LOCAL I/O CONTROL MACHINE	-	-	-	-	-											
			UL TESTING	-	-	-	-	-											
B-CS-M7606-0-55	1		KA630 LOCAL I/O BUS CONTROL	-	B	B	B	B											
B-CS-M7606-0-56	1		KA630 Q-BUS ARBITRATION CONTROL MACHINE LISTING	-	-	-	-	-											
B-CS-M7606-0-57	1		Q-BUS ARBITRATION CONTROLLER DETAILED CONTROL FLOW DIAGRAM	-	B	B	B	B											
B-CS-M7606-0-58	1		Q22 BUS MASTER CONTROL MACHINE LISTING	-	-	-	-	-											
B-CS-M7606-0-59	1		Q22 BUS MASTER CONTROL MACHINE FLOW DIAGRAM	-	B	B	B	B											
B-CS-M7606-0-60	1		Q22 BUS SLAVE CONTROL MACHINE LISTING	-	-	-	-	-											
B-CS-M7606-0-61	1		Q22 BUS SLAVE CONTROL MACHINE FLOW DIAGRAM	-	B	B	B	B											
B-CS-M7606-0-62	1		Q22 BUS SLAVE CONTROL MACHINE FLOW DIAGRAM	-	B	B	B	B											
B-CS-M7606-0-63	1		IKKL RAS DECODE FROM (ETS) LISTING	-	-	-	-	-											
B-CS-M7606-0-64	1		PALASM LISTING FOR PALISLSA DEVICES	-	-	-	-	-											
B-CS-M7606-0-65	1		MNEMONIC DICTIONARY	-	-	-	-	-											
K-DO-M7606-0-0	24		M7606 CROSS REF LIST	-	A	A	A	A											

**NOTES:**

REVISION HISTORY		REV.	A	B	C	D	E
DATE	ECO NO.						
5/84	INIT						
5/85	MLO01						
6/85	MLO02						
7/85	MLO03						
8/85	MLO04						

THIS DRAWING AND THE SPECIFICATIONS CONTAINED HEREIN ARE CONFIDENTIAL AND PROPRIETARY. THEY ARE THE PROPERTY OF DIGITAL EQUIPMENT CORPORATION AND SHALL NOT BE REPRODUCED OR COPIED OR USED IN WHOLE OR IN PART AS THE BASIS FOR THE MANUFACTURE OR SALE OF ITEMS WITHOUT WRITTEN PERMISSION. THIS IS AN UNPUBLISHED WORK PROTECTED UNDER THE FEDERAL COPYRIGHT LAWS.

1984



DRN. D. DROZD	DATE 5/17/84	TITLE KA630	
CHK'D E. LANDRY	DATE 5/17/84	DOCUMENT NUMBER	
DES. ENG. B. MASKAS	DATE 5/17/84	SIZE B	CODE DD
RESP. ENG. B. MASKAS	DATE 5/17/84	NUMBER M7606-0-0	REV E
MFG. ENG. B. SCHULTE	DATE 9/24/84	SHEET 4 OF 4	

THIS DRAWING AND SPECIFICATIONS HEREIN ARE THE PROPERTY OF DIGITAL EQUIPMENT CORPORATION AND SHALL NOT BE REPRODUCED OR COPIED OR USED IN WHOLE OR IN PART AS THE BASIS FOR THE MANUFACTURE OR SALE OF ITEMS WITHOUT WRITTEN PERMISSION.  
 DIGITAL EQUIPMENT CORPORATION  
 COPYRIGHT © 1984

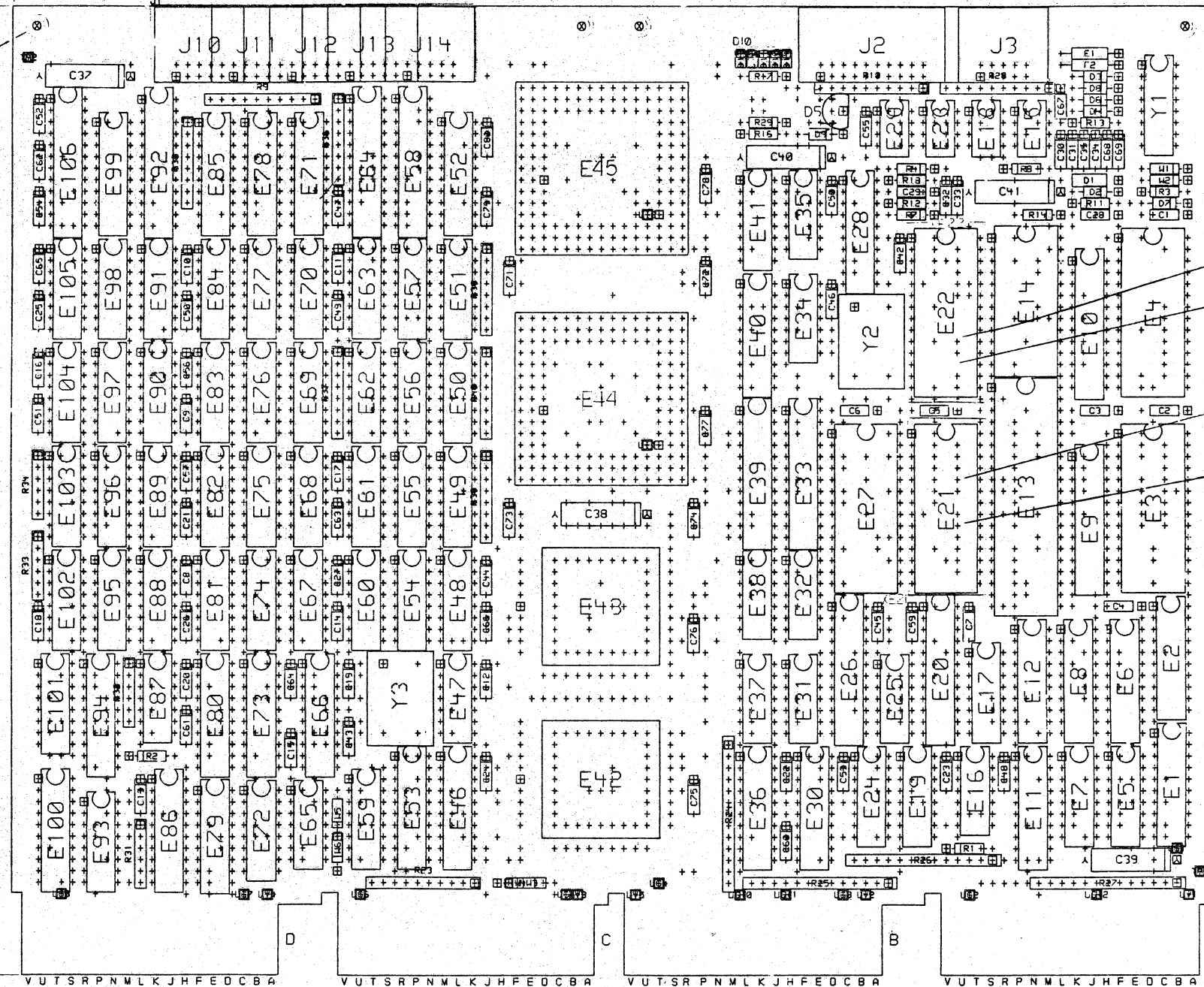
**REWORK INSTRUCTIONS**

- 1. COMPONENT DELETES
- 2-1 DELETE E21 P/N 23035E6-00
- 2-2 DELETE E22 P/N 23034E6-00
- 2. COMPONENT ADDS.
- 2-3 DELETE E21 P/N 23063E6-00
- 2-4 DELETE E22 P/N 23062E6-00

94  
(QTY. 4)

0-3 REF  
 0-3 REF

COMPONENT SIDE VIEW



NOTES: 1. NOT INSTALLED

STEP E	→ Y AXIS	STEP	TIMES
REPEAT	→ X AXIS	STEP	TIMES

CP CHANGE NO	REV
1	B
M7606-M1000	
R. M. WADSWORTH	
DATE: 1/25/85	

ETCH REV. E1
--------------

SIGNATURES		DATE
DRN. [Signature]	[Signature]	1/25/85
CHK. D. [Signature]	[Signature]	1/25/85
MECH. ENG. [Signature]	[Signature]	1/25/85
PROJ. ENG. [Signature]	[Signature]	1/25/85
PROD. [Signature]	[Signature]	1/25/85
SCALE 1:1	SIZE CODE	NUMBER
SHT. 1 OF 1	D	LA 17606-C-B
NEXT HIGHER ASSY. P-0-3 REF		

digital

TITLE KAC P/A-B-C-D

1 MS# 275202



LINE	ITEM	TOP DOCUMENT	PART NUMBER	MIN REV DESCRIPTION	QTY PER VARIATION				REFERENCE DESIGNATOR
					AA	AC	AH	BA	
					E1	E1	E1	E1	
1	1	D-MD-5016523-0-0	5016523-01	CIRCUIT DRILL & ETCH	1	1	1	1	
2	2		1010279-01	.47 MFD 25V 20% CER	6	6	6	6	C30-C35
3	3		1012784-00	.047 MFD 50V +80-20% CER	7	7	7	7	C28,C1-C6
4	4		1013466-05	56.0 MMF 50V 5% CER	1	1	1	1	C67
5	5		1013466-07	220.0 MMF 50V 5% CER	1	1	1	1	C29
6	6		1014265-02	.33 MFD 50V +80-20% CER	58	58	58	58	C7-C27,C42-C66,C68,C69,C71-C80
7	7		1017472-00	10 MFD 35V +75-10% AL EL	3	3	3	3	C39-C41
8	8		1020446-05	22 MFD 16V +50-10% AL EL	2	2	2	2	C37,C38
9	9		1100114-00	PIV= 25 IO=135 MA	1	1	1	1	D9
10	10		1105275-00	PIV= 60 IO=300 MA -15NS	3	3	3	3	D2,D4,D3
11	11		1109977-00	VZ= 4.3 5% 1N749A	1	1	1	1	D1
12	12		1114117-00	PIV= 40 IO= 75 A - 4NS	3	3	3	3	D6-D8
13	13		1114136-02	LED 6.7MA 5V .2MCD GREEN	1	1	1	1	D14
14	14		1120964-01	LED ASSY 4 RED 5V 8MA	1	1	1	1	D10
15	15		1210929-02	FUSE, SUB-MINI 1.000A, 125V, A	2	2	2	2	F1,F2
16	16		1213113-03	HANDLE,MODULE	1	1	1	1	
17	17		1213506-04	PCB HEADER 09PIN(2X05).100CC 90D	1	1	1	1	J3
18	18		1213506-10	PCB HEADER 20PIN(2X10).100CC 90D	1	1	1	1	J2
19	19		1213506-13	PCB HEADER 50PIN(2X25).100CC 90D	1	1	1	1	J1
20	20		1215006-07	SKT,IC 28PIN DIP TIN SOLD	2	2	2	2	XE21,XE22
21	21		1300202-00	47.0 .25 W 5.0 % CF	3	3	3	3	R1,R2,R29
22	22		1300365-00	1.0 K .25 W 5.0 % CF	1	1	1	1	R3
23	23		1300447-00	4.70 K .25 W 5.0 % CF	1	1	1	1	R8
24	24		1300479-00	10.0 K .25 W 5.0 % CF	2	2	2	2	R11,R12
25	25		1301808-00	22.0 K .25 W 5.0 % CF	1	1	1	1	R4
26	26		1302388-00	2.0 K .25 W 5.0 % CF	1	1	1	1	R14
27	27		1302466-00	100.0 K .25 W 5.0 % CF	1	1	1	1	R16
28	28		1304837-00	24.0 K .25 W 5.0 % CF	1	1	1	1	R7
29	29		1314637-00	R NETWORK 3-22 1.0 % 6PIN	4	4	4	4	R31-R34
30	30		1316334-02	R NETWORK 9-10K 2.0 % 10PIN	2	2	2	2	R10,R23

REVISION HISTORY			BASIC PART NO: M7606		DRN: RONALD RHOADES		DATE: 01-FEB-84		D I G I T A L			
ENG	ECO NUMBER	REV	SECTION A OF C		CHK'D: DAVID DROZD		DATE: 17-MAY-84		TITLE PARTS LIST			
---	INITIAL	A	SECTION VARIATION INDEX		DES.ENG: BARRY MASKAS		DATE: 22-MAY-84		DOCUMENT NUMBER			
BM	M7606-ML001	B	[A]	AA,AC,AH,BA	RESP.ENG.: BARRY MASKAS		DATE: 8-AUG-84		SIZE	CODE	NUMBER	REV
BM	M7606-ML002	C	[B]	BC,BH,CA,CC	MFG.ENG.: BILL SCHULTE		DATE: 22-MAY-84		K	PL	M7606-0-DBP	D
BM	M7606-ML003	D	[C]	CH,DA,DC,DH	ASSEMBLY NUMBER:		TOP DOCUMENT NUMBER:		FILE NAME:		EDIT #	
			[D]		D-UA-M7606-0-0		B-DD-M7606-0-0		Z8847D.PLS		38	
			[E]		RELEASE DATE: 01-JUL-85							
			[F]									
			[H]									
			[J]									
			[K]									
			[L]									
			[M]									
			[N]									

"THIS DRAWING AND THE SPECIFICATIONS CONTAINED HEREIN ARE CONFIDENTIAL AND PROPRIETARY. THEY ARE THE PROPERTY OF DIGITAL EQUIPMENT CORPORATION AND SHALL NOT BE REPRODUCED OR COPIED OR USED IN WHOLE OR IN PART AS THE BASIS FOR THE MANUFACTURE OR SALE OF ITEMS WITHOUT WRITTEN PERMISSION. THIS IS AN UNPUBLISHED WORK PROTECTED UNDER THE FEDERAL COPYRIGHT LAWS."

LINE	ITEM	TOP DOCUMENT	PART NUMBER	MIN REV	DESCRIPTION	QTY PER VARIATION				REFERENCE DESIGNATOR
						AA	AC	AH	BA	
						E1	E1	E1	E1	
31	31		1316395-02		R NETWORK 9-1.0K 2.0% 10PIN	1	1	1	1	R9
32	32		1317404-00		249.0 .25 W 1.0% RN55D-F10	1	1	1	1	R13
33	33		1317558-01		R NETWORK 4-27 5.0% 8PIN	2	2	2	2	R39,R40
34	34		1318110-00		R NETWORK 11-330 11-680 13PIN	4	4	4	4	R24-R27
35	35		1319610-01		750.0 K .25 W .10% RN55E-B 2	1	1	1	1	R17
36	36		1319645-01		487.0 K .25 W .10% RN55E-B 2	1	1	1	1	R18
37	37		1321144-01		R NETWORK 5-220 2.0% 10PIN	1	1	1	1	R28
38	38		1321218-01		R NETWORK 4-39 +-10HM 8PIN	4	4	4	4	R35-R38
39	39		1811660-05		*** THIS ITEM IS NOT USED ***	-	-	-	-	
40	40		1811660-62		OSCILLATOR,XTAL 614.4 KHZ	1	1	1	1	Y2
41	41		1814057-00		OSCILLATOR, XTAL 40.000 MHZ	1	1	1	1	Y3
42	42		1818800-00		OSCILLATOR,XTAL 32.768KHZ	1	1	1	1	Y1
43	43		1911469-B0		8640 BURNED-IN RECEIVER,B	1	1	1	1	E16
44	44		1912803-B0		LS04 BURNED-IN INVERTER G	1	1	1	1	E25
45	45		1913471-B0		LS367 BURNED-IN DRIVER,BUS	1	1	1	1	E41
46	46		1914140-01	LM	211P COMPARATOR,VOLTAGE	1	1	1	1	E29
47	47		1914987-00		8641-2 TRANSCEIVER,UNIBUS,QU	4	4	4	4	E5,E7,E19,E24
48	48		1915193-B0		LS244 BURNED-IN DRIVER,LIN	1	1	1	1	E28
49	49		1915219-B0		LS373 BURNED-IN FF-0 OCTAL	1	1	1	1	E1
50	50		1915415-B0		9636 BURNED-IN DRIVER,DUA	1	1	1	1	E23
51	51		1916028-B1		9643 BURNED-IN DRIVER,TTL	1	1	1	1	E15
52	52		1918868-B0		LS26 NAND GATE,2-IN,HIGH	1	1	1	1	E35
53	53		1919015-00	DC	021 BUS TRANSCEIVER,20PI	3	3	3	3	E11,E30,E36
54	54		1919542-B1		9639 RECEIVER,LINE,DUAL,P	1	1	1	1	E18
55	55		1919684-01	LM	385B2 PREC VOLT REF. 1.23	1	1	1	1	D5
56	56		1920441-B1		74F245 TRANSCEIVER,BI-DIREC	4	4	4	4	E52,E71,E85,E99
57	57		1920442-B1		74F374 FF-D,OCTAL,TRI-STATE	2	2	2	2	E8,E12
58	58		1920853-B1		LS646 BUS TRANSCEIVER/REGI	2	2	2	2	E9,E10
59	59		1921008-B1		74F240 BUFFER/LINE DRIVER,0	2	2	2	2	E80,E94
60	60		1921010-B1		74F373 OCTAL TRANSPARENT LA	5	5	5	5	E2,E6,E46,E53,E73
61	61		1921305-B1		74F00 NAND GATE,QUAD,2-IN,	1	1	1	1	E47
62	62		1921306-B1		74F02 NOR GATE,QUAD,2-IN,B	1	1	1	1	E38
63	63		1921307-B1		74F04 HEX INVERTER,BURNED	2	2	2	2	E32,E87
64	64		1921312-B1		74F32 OR GATE,QUAD,2-IN,BU	2	2	2	2	E37,E65
65	65		1921314-B1		74F74 FF-D,DUAL,BURNED-IN	2	2	2	2	E31,E34
66	66		1921321-B1		74F158 MUX,QUAD,2-IN,BURNED	3	3	3	3	E72,E93,E101
67	67		1921323-B1		74F174 FF-D,HEX,BURNED-IN	2	2	2	2	E17,E59
68	68		1921417-B1		74F521 COMPARATOR,IDENTITY,	1	1	1	1	E66
69	69		1922871-01		TRANSCEIVER,PARITY B	4	4	4	4	E58,E64,E92,E106
70	70		1923679-B1		74F537 DECODER/DEMUX,1-OF-1	1	1	1	1	E100
71	71		2117312-00		UART DL-11 SOFTWARE	1	1	1	1	E13
72	72		2118467-02		*** THIS ITEM IS NOT USED ***	-	-	-	-	
73	73		2118472-02		*** THIS ITEM IS NOT USED ***	-	-	-	-	
74	74		2118795-00		146818 CLOCK/CALENDAR/RAM	1	1	1	1	E14
75	75		2120887-01	DC	333 MICROVAX,32BIT 68PIN	1	1	1	1	E43
76	76		2121384-02		RAM 8KX8,STATIC 150	2	2	2	2	E3,E4
77	77		2121413-02		41256 RAM 256KX1,DYNAMIC 1	-	-	36	-	E48-E51,E54-E57,E60-E63,E67-E70, CONT E74-E77,E81-E84,E88-E91,E95-E98,

D	I	G	I	T	A	L	TITLE	MAYFLOWER	SECTION A	OF	C	SIZE	CODE	DOCUMENT NUMBER	REV
							KA630					K	PL	M7606-0-DBP	D

LINE	ITEM	TOP DOCUMENT	PART NUMBER	MIN REV	DESCRIPTION	QTY PER VARIATION				REFERENCE DESIGNATOR
						AA	AC	AH	BA	
						E1	E1	E1	E1	
78	78		2121415-02		81256-15 RAM 256KX1,DYNAMIC 1	-	36	-	-	CONT E102-E105 E48-E51,E54-E57,E60-E63,E67-E70, CONT E74-E77,E81-E84,E88-E91,E95-E98, CONT E102-E105
79	79		2122797-01		DC 337 MICROVAX FLOATING PO	1	1	1	-	E42
80	80		2123389-01		GATE ARRAY,3200 GATE	1	1	1	1	E45
81	81		2123413-01		DC379 CMOS GATE ARRAY,144PGA,320	1	1	1	1	E44
82	82		23007L3-00		*** THIS ITEM IS NOT USED ***	-	-	-	-	
83	83		23008L3-00		L3-01 FPLS	1	1	1	1	E20
84	84		23009L3-00		L3-01	1	1	1	1	E26
85	85		23010L3-00		L3-01	1	1	1	1	E33
86	86		23018E6-00		*** THIS ITEM IS NOT USED ***	-	-	-	-	
87	87		23019E6-00		*** THIS ITEM IS NOT USED ***	-	-	-	-	
88	88		23036L1-00		*** THIS ITEM IS NOT USED ***	-	-	-	-	
89	89		23115F2-00		*** THIS ITEM IS NOT USED ***	-	-	-	-	
90	90		23169J5-00		J5-03 PAL,LOGIC	1	1	1	1	E40
91	91		23170J5-00		J5-03 PAL,LOGIC	1	1	1	1	E78
92	92		23171J5-00		J5-03 PAL,LOGIC	1	1	1	1	E86
93	93		23E42F1-00		F1-05	1	1	1	1	E79
94	94		9000024-01		EYELET,ROLLED 0.1210DX0.192	4	4	4	4	
95	95		9009185-00		JUMPER, WIRE, INSULATED, BLACK B	3	3	3	3	W2,W4,W5
96	96		9907004-06		CARTON,DIE CUT,B,200PSI W/ARTWOR	1	1	1	1	
97	97		9907025-06		BAG,ANTISTATIC BUBBLE	1	1	1	1	
98	98		9907092-04		BAG,TRANSLUCENT,ESD PROTECTIVE	1	1	1	1	
99	99		23034E6-00		*** THIS ITEM IS NOT USED ***	-	-	-	-	
100	100		23035E6-00		*** THIS ITEM IS NOT USED ***	-	-	-	-	
101	101		23053L1-00		L1-01	1	1	1	1	E27
102	102		23062E6-00		E6-02 U	1	1	1	1	E22
103	103		23063E6-00		E6-02 U	1	1	1	1	E21
104	104		23014L3-00		L3-01	1	1	1	1	E39

- 105 NOTE: M7606-AA IS THE PRIMARY VARIATION OF THE KA630 CPU.
- 106 NOTE: M7606-AC IS THE MODULE USING FUJITSU 256K RAMS.
- 107 NOTE: M7606-AH IS THE MODULE USING NEC 256K RAMS.
- 108 NOTE: M7606-BA IS THE AA VERSION WITHOUT FLOATING POINT.
- 109 NOTE: M7606-BC IS THE MODULE USING FUJITSU 256K RAMS.
- 110 NOTE: M7606-BH IS THE MODULE USING NEC 256K RAMS.
- 111 NOTE: M7606-CA IS THE AA VERSION USING 64K RAMS
- 112 NOTE: M7606-CC IS THE MODULE USING FUJITSU 64K RAMS.
- 113 NOTE: M7606-CH IS THE MODULE USING NEC 64K RAMS.
- 114 NOTE: M7606-DA IS THE CA VERSION WITHOUT FLOATING POINT.
- 115 NOTE: M7606-DC IS THE MODULE USING FUJITSU 64K RAMS.
- 116 NOTE: M7606-DH IS THE MODULE USING NEC 64K RAMS.

D	I	G	I	T	A	L	TITLE	MAYFLOWER KA630	SECTION A OF C	SIZE	CODE	DOCUMENT NUMBER	REV
										K	PL	M7606-0-DBP	D

LINE	ITEM	TOP DOCUMENT	PART NUMBER	MIN REV	DESCRIPTION	QTY PER VARIATION				REFERENCE DESIGNATOR
						BC E1	BH E1	CA E1	CC E1	
1	1	D-MD-5016523-0-0	5016523-01		CIRCUIT DRILL & ETCH	1	1	1	1	
2	2		1010279-01		.47 MFD 25V 20% CER	6	6	6	6	C30-C35
3	3		1012784-00		.047 MFD 50V +80-20% CER	7	7	7	7	C28,C1-C6
4	4		1013466-05		56.0 MMF 50V 5% CER	1	1	1	1	C67
5	5		1013466-07		220.0 MMF 50V 5% CER	1	1	1	1	C29
6	6		1014265-02		.33 MFD 50V +80-20% CER	58	58	58	58	C7-C27,C42-C66,C68,C69,C71-C80
7	7		1017472-00		10 MFD 35V +75-10% AL EL	3	3	3	3	C39-C41
8	8		1020446-05		22 MFD 16V +50-10% AL EL	2	2	2	2	C37,C38
9	9		1100114-00		PIV= 25 IO=135 MA	1	1	1	1	D9
10	10		1105275-00		PIV= 60 IO=300 MA -15NS	3	3	3	3	D2,D4,D3
11	11		1109977-00		VZ= 4.3 5% 1N749A	1	1	1	1	D1
12	12		1114117-00		PIV= 40 IO= 75 A - 4NS	3	3	3	3	D6-D8
13	13		1114136-02		LED 6.7MA 5V .2MCD GREEN	1	1	1	1	D14
14	14		1120964-01		LED ASSY 4 RED 5V 8MA	1	1	1	1	D10
15	15		1210929-02		FUSE, SUB-MINI 1.000A, 125V, A	2	2	2	2	F1,F2
16	16		1213113-03		HANDLE,MODULE	1	1	1	1	
17	17		1213506-04		PCB HEADER 09PIN(2X05).100CC 90D	1	1	1	1	J3
18	18		1213506-10		PCB HEADER 20PIN(2X10).100CC 90D	1	1	1	1	J2
19	19		1213506-13		PCB HEADER 50PIN(2X25).100CC 90D	1	1	1	1	J1
20	20		1215006-07		SKT,IC 28PIN DIP TIN SOLD	2	2	2	2	XE21,XE22
21	21		1300202-00		47.0 .25 W 5.0 % CF	3	3	3	3	R1,R2,R29
22	22		1300365-00		1.0 K .25 W 5.0 % CF	1	1	1	1	R3
23	23		1300447-00		4.70 K .25 W 5.0 % CF	1	1	1	1	R8
24	24		1300479-00		10.0 K .25 W 5.0 % CF	2	2	2	2	R11,R12
25	25		1301808-00		22.0 K .25 W 5.0 % CF	1	1	1	1	R4
26	26		1302388-00		2.0 K .25 W 5.0 % CF	1	1	1	1	R14
27	27		1302466-00		100.0 K .25 W 5.0 % CF	1	1	1	1	R16
28	28		1304837-00		24.0 K .25 W 5.0 % CF	1	1	1	1	R7
29	29		1314637-00		R NETWORK 3-22 1.0 % 6PIN	4	4	4	4	R31-R34
30	30		1316334-02		R NETWORK 9-10K 2.0 % 10PIN	2	2	2	2	R10,R23

REVISION HISTORY		BASIC PART NO: M7606		DRN: RONALD RHOADES	DATE: 01-FEB-84	D I G I T A L		
ENG	ECO NUMBER	REV	SECTION B OF C	CHK'D: DAVID DROZD	DATE: 17-MAY-84	TITLE PARTS LIST		
---	INITIAL	A	SECTION VARIATION INDEX	DES.ENG: BARRY MASKAS	DATE: 22-MAY-84	DOCUMENT NUMBER		
BM	M7606-ML001	B	[A] AA,AC,AH,BA	RESP.ENG.: BARRY MASKAS	DATE: 8-AUG-84	SIZE	CODE	NUMBER
BM	M7606-ML002	C	[B] BC,BH,CA,CC	MFG.ENG.: BILL SCHULTE	DATE: 22-MAY-84	K	PL	M7606-0-DBP
BM	M7606-ML003	D	[C] CH,DA,DC,DH	ASSEMBLY NUMBER:	TOP DOCUMENT NUMBER:	FILE NAME:		EDIT #
			[D]	D-UA-M7606-0-0	B-DD-M7606-0-0	Z8847D.PLS		38
			[E]					
			[F]					
			[H]					
			[J]					
			[K]					
			[L]					
			[M]					
			[N]					

"THIS DRAWING AND THE SPECIFICATIONS CONTAINED HEREIN ARE CONFIDENTIAL AND PROPRIETARY. THEY ARE THE PROPERTY OF DIGITAL EQUIPMENT CORPORATION AND SHALL NOT BE REPRODUCED OR COPIED OR USED IN WHOLE OR IN PART AS THE BASIS FOR THE MANUFACTURE OR SALE OF ITEMS WITHOUT WRITTEN PERMISSION. THIS IS AN UNPUBLISHED WORK PROTECTED UNDER THE FEDERAL COPYRIGHT LAWS."

LINE	ITEM	TOP DOCUMENT	PART NUMBER	MIN REV	DESCRIPTION	QTY PER VARIATION				REFERENCE DESIGNATOR
						BC	BH	CA	CC	
						E1	E1	E1	E1	
31	31		1316395-02		R NETWORK 9-1.0K 2.0 % 10PIN	1	1	1	1	R9
32	32		1317404-00		249.0 .25 W 1.0 % RN55D-F10	1	1	1	1	R13
33	33		1317558-01		R NETWORK 4-27 5.0 % 8PIN	2	2	2	2	R39,R40
34	34		1318110-00		R NETWORK 11-330 11-680 13PIN	4	4	4	4	R24-R27
35	35		1319610-01		750.0 K .25 W .10% RN55E-B 2	1	1	1	1	R17
36	36		1319645-01		487.0 K .25 W .10% RN55E-B 2	1	1	1	1	R18
37	37		1321144-01		R NETWORK 5-220 2.0% 10PIN	1	1	1	1	R28
38	38		1321218-01		R NETWORK 4-39 +-10HM 8PIN	4	4	4	4	R35-R38
39	39		1811660-05		OSCILLATOR, XTAL 33.330 MHZ	-	-	1	1	Y3
40	40		1811660-62		OSCILLATOR, XTAL 614.4 KHZ	1	1	1	1	Y2
41	41		1814057-00		OSCILLATOR, XTAL 40.000 MHZ	1	1	-	-	Y3
42	42		1818800-00		OSCILLATOR, XTAL 32.768KHZ	1	1	1	1	Y1
43	43		1911469-B0		8640 BURNED-IN RECEIVER, B	1	1	1	1	E16
44	44		1912803-B0		LS04 BURNED-IN INVERTER G	1	1	1	1	E25
45	45		1913471-B0		LS367 BURNED-IN DRIVER, BUS	1	1	1	1	E41
46	46		1914140-01	LM	211P COMPARATOR, VOLTAGE	1	1	1	1	E29
47	47		1914987-00		8641-2 TRANSCEIVER, UNIBUS, QU	4	4	4	4	E5, E7, E19, E24
48	48		1915193-B0		LS244 BURNED-IN DRIVER, LIN	1	1	1	1	E28
49	49		1915219-B0		LS373 BURNED-IN FF-0 OCTAL	1	1	1	1	E1
50	50		1915415-B0		9636 BURNED-IN DRIVER, DUA	1	1	1	1	E23
51	51		1916028-B1		9643 BURNED-IN DRIVER, TTL	1	1	1	1	E15
52	52		1918868-B0		LS26 NAND GATE, 2-IN, HIGH	1	1	1	1	E35
53	53		1919015-00	DC	021 BUS TRANSCEIVER, 20PI	3	3	3	3	E11, E30, E36
54	54		1919542-B1		9639 RECEIVER, LINE, DUAL, P	1	1	1	1	E18
55	55		1919684-01	LM	385B2 PREC VOLT REF. 1.23	1	1	1	1	D5
56	56		1920441-B1		74F245 TRANSCEIVER, BI-DIREC	4	4	4	4	E52, E71, E85, E99
57	57		1920442-B1		74F374 FF-D, OCTAL, TRI-STATE	2	2	2	2	E8, E12
58	58		1920853-B1		LS646 BUS TRANSCEIVER/REGI	2	2	2	2	E9, E10
59	59		1921008-B1		74F240 BUFFER/LINE DRIVER, 0	2	2	2	2	E80, E94
60	60		1921010-B1		74F373 OCTAL TRANSPARENT LA	5	5	5	5	E2, E6, E46, E53, E73
61	61		1921305-B1		74F00 NAND GATE, QUAD, 2-IN,	1	1	1	1	E47
62	62		1921306-B1		74F02 NOR GATE, QUAD, 2-IN, B	1	1	1	1	E38
63	63		1921307-B1		74F04 HEX INVERTER, BURNED	2	2	2	2	E32, E87
64	64		1921312-B1		74F32 OR GATE, QUAD, 2-IN, BU	2	2	2	2	E37, E65
65	65		1921314-B1		74F74 FF-D, DUAL, BURNED-IN	2	2	2	2	E31, E34
66	66		1921321-B1		74F158 MUX, QUAD, 2-IN, BURNED	3	3	3	3	E72, E93, E101
67	67		1921323-B1		74F174 FF-D, HEX, BURNED-IN	2	2	2	2	E17, E59
68	68		1921417-B1		74F521 COMPARATOR, IDENTITY,	1	1	1	1	E66
69	69		1922871-01		TRANSCEIVER, PARITY B	4	4	4	4	E58, E64, E92, E106
70	70		1923679-B1		74F537 DECODER/DEMUX, 1-OF-1	1	1	1	1	E100
71	71		2117312-00		UART DL-11 SOFTWARE	1	1	1	1	E13
72	72		2118467-02		8264-15 RAM 64K X1, 150NS 1	-	-	-	36	E48-E51, E54-E57, E60-E63, E67-E70, E74-E77, E81-E84, E88-E91, E95-E98, E102-E105
73	73		2118472-02		*** THIS ITEM IS NOT USED ***	-	-	-	-	
74	74		2118795-00		146818 CLOCK/CALENDAR/RAM	1	1	1	1	E14
75	75		2120887-01	DC	333 MICROVAX, 32BIT 68PIN	1	1	1	1	E43
76	76		2121384-02		RAM 8KX8, STATIC 150	2	2	2	2	E3, E4

D	I	G	I	T	A	L	TITLE	SECTION B OF C	SIZE	CODE	DOCUMENT NUMBER	REV
							MAYFLOWER KA630		K	PL	M7606-0-DBP	D

LINE	ITEM	TOP DOCUMENT	PART NUMBER	MIN REV	DESCRIPTION	QTY PER VARIATION				REFERENCE DESIGNATOR
						BC	BH	CA	CC	
						E1	E1	E1	E1	
77	77		2121413-02		41256 RAM 256KX1,DYNAMIC 1	-	36	-	-	E48-E51,E54-E57,E60-E63,E67-E70, CONT E74-E77,E81-E84,E88-E91,E95-E98, CONT E102-E105
78	78		2121415-02		81256-15 RAM 256KX1,DYNAMIC 1	36		-	-	E48-E51,E54-E57,E60-E63,E67-E70, CONT E74-E77,E81-E84,E88-E91,E95-E98, CONT E102-E105
79	79		2122797-01		DC 337 MICROVAX FLOATING PO	-	-	1	1	E42
80	80		2123389-01		GATE ARRAY,3200 GATE	1	1	1	1	E45
81	81		2123413-01		DC379 CMOS GATE ARRAY,144PGA,320	1	1	1	1	E44
82	82		23007L3-00		*** THIS ITEM IS NOT USED ***	-	-	-	-	
83	83		23008L3-00		L3-01 FPLS	1	1	1	1	E20
84	84		23009L3-00		L3-01	1	1	1	1	E26
85	85		23010L3-00		L3-01	1	1	1	1	E33
86	86		23018E6-00		*** THIS ITEM IS NOT USED ***	-	-	-	-	
87	87		23019E6-00		*** THIS ITEM IS NOT USED ***	-	-	-	-	
88	88		23036L1-00		*** THIS ITEM IS NOT USED ***	-	-	-	-	
89	89		23115F2-00		F2-03	-	-	1	1	E79
90	90		23169J5-00		J5-03 PAL,LOGIC	1	1	1	1	E40
91	91		23170J5-00		J5-03 PAL,LOGIC	1	1	1	1	E78
92	92		23171J5-00		J5-03 PAL,LOGIC	1	1	1	1	E86
93	93		23E42F1-00		F1-05	1	1	-	-	E79
94	94		9000024-01		EYELET,ROLLED 0.1210DX0.192	4	4	4	4	
95	95		9009185-00		JUMPER, WIRE, INSULATED, BLACK B	3	3	-	-	W2,W4,W5
			CONT			-	-	3	3	W2,W3,W6
96	96		9907004-06		CARTON,DIE CUT,B,200PSI W/ARTWOR	1	1	1	1	
97	97		9907025-06		BAG,ANTISTATIC BUBBLE	1	1	1	1	
98	98		9907092-04		BAG,TRANSLUCENT,ESD PROTECTIVE	1	1	1	1	
99	99		23034E6-00		*** THIS ITEM IS NOT USED ***	-	-	-	-	
100	100		23035E6-00		*** THIS ITEM IS NOT USED ***	-	-	-	-	
101	101		23053L1-00		L1-01	1	1	1	1	E27
102	102		23062E6-00		E6-02	U	1	1	1	E22
103	103		23063E6-00		E6-02	U	1	1	1	E21
104	104		23014L3-00		L3-01	1	1	1	1	E39

- 105 NOTE: M7606-AA IS THE PRIMARY VARIATION OF THE KA630 CPU.
- 106 NOTE: M7606-AC IS THE MODULE USING FUJITSU 256K RAMS.
- 107 NOTE: M7606-AH IS THE MODULE USING NEC 256K RAMS.
- 108 NOTE: M7606-BA IS THE AA VERSION WITHOUT FLOATING POINT.
- 109 NOTE: M7606-BC IS THE MODULE USING FUJITSU 256K RAMS.
- 110 NOTE: M7606-BH IS THE MODULE USING NEC 256K RAMS.
- 111 NOTE: M7606-CA IS THE AA VERSION USING 64K RAMS
- 112 NOTE: M7606-CC IS THE MODULE USING FUJITSU 64K RAMS.
- 113 NOTE: M7606-CH IS THE MODULE USING NEC 64K RAMS.
- 114 NOTE: M7606-DA IS THE CA VERSION WITHOUT FLOATING POINT.

D	I	G	I	T	A	L	TITLE	SECTION B OF C	SIZE	CODE	DOCUMENT NUMBER	REV
							MAYFLOWER KA630		K	PL	M7606-0-DBP	D

LINE ITEM	TOP DOCUMENT	PART NUMBER	MIN REV	DESCRIPTION	QTY PER VARIATION	BC	BH	CA	CC	REFERENCE DESIGNATOR
					VARIATION REVISION LEVEL:	E1	E1	E1	E1	

115 NOTE: M7606-DC IS THE MODULE USING FUJITSU 64K RAMS.  
 116 NOTE: M7606-DH IS THE MODULE USING NEC 64K RAMS.

D	I	G	I	T	A	L	TITLE	MAYFLOWER KA630	SECTION B OF C	SIZE	CODE	DOCUMENT NUMBER	REV
										K	PL	M7606-0-DBP	D

LINE	ITEM	TOP DOCUMENT	PART NUMBER	MIN REV	DESCRIPTION	QTY PER VARIATION				REFERENCE DESIGNATOR
						CH E1	DA E1	DC E1	DH E1	
1	1	D-MD-5016523-0-0	5016523-01		CIRCUIT DRILL & ETCH	1	1	1	1	
2	2		1010279-01		.47 MFD 25V 20%	6	6	6	6	C30-C35
3	3		1012784-00		.047 MFD 50V +80-20%	7	7	7	7	C28,C1-C6
4	4		1013466-05		56.0 MMF 50V 5%	1	1	1	1	C67
5	5		1013466-07		220.0 MMF 50V 5%	1	1	1	1	C29
6	6		1014265-02		.33 MFD 50V +80-20%	58	58	58	58	C7-C27,C42-C66,C68,C69,C71-C80
7	7		1017472-00		10 MFD 35V +75-10%	3	3	3	3	C39-C41
8	8		1020446-05		22 MFD 16V +50-10%	2	2	2	2	C37,C38
9	9		1100114-00		PIV= 25 IO=135 MA	1	1	1	1	D9
10	10		1105275-00		PIV= 60 IO=300 MA -15NS	3	3	3	3	D2,D4,D3
11	11		1109977-00		VZ= 4.3 5% 1N749A	1	1	1	1	D1
12	12		1114117-00		PIV= 40 IO= 75 A - 4NS	3	3	3	3	D6-D8
13	13		1114136-02		LED 6.7MA 5V .2MCD GREEN	1	1	1	1	D14
14	14		1120964-01		LED ASSY 4 RED 5V 8MA	1	1	1	1	D10
15	15		1210929-02		FUSE, SUB-MINI 1.000A, 125V, A	2	2	2	2	F1,F2
16	16		1213113-03		HANDLE,MODULE	1	1	1	1	
17	17		1213506-04		PCB HEADER 09PIN(2X05).100CC 90D	1	1	1	1	J3
18	18		1213506-10		PCB HEADER 20PIN(2X10).100CC 90D	1	1	1	1	J2
19	19		1213506-13		PCB HEADER 50PIN(2X25).100CC 90D	1	1	1	1	J1
20	20		1215006-07		SKT,IC 28PIN DIP TIN SOLD	2	2	2	2	XE21,XE22
21	21		1300202-00		47.0 .25 W 5.0 % CF	3	3	3	3	R1,R2,R29
22	22		1300365-00		1.0 K .25 W 5.0 % CF	1	1	1	1	R3
23	23		1300447-00		4.70 K .25 W 5.0 % CF	1	1	1	1	R8
24	24		1300479-00		10.0 K .25 W 5.0 % CF	2	2	2	2	R11,R12
25	25		1301808-00		22.0 K .25 W 5.0 % CF	1	1	1	1	R4
26	26		1302388-00		2.0 K .25 W 5.0 % CF	1	1	1	1	R14
27	27		1302466-00		100.0 K .25 W 5.0 % CF	1	1	1	1	R16
28	28		1304837-00		24.0 K .25 W 5.0 % CF	1	1	1	1	R7
29	29		1314637-00		R NETWORK 3-22 1.0 % 6PIN	4	4	4	4	R31-R34
30	30		1316334-02		R NETWORK 9-10K 2.0 % 10PIN	2	2	2	2	R10,R23

REVISION HISTORY			BASIC PART NO: M7606		DRN: RONALD RHOADES		DATE: 01-FEB-84		DIGITAL			
ENG	ECO NUMBER	REV	SECTION C OF C		CHK'D: DAVID DROZD		DATE: 17-MAY-84		TITLE PARTS LIST			
---	INITIAL	A	SECTION VARIATION INDEX		DES.ENG: BARRY MASKAS		DATE: 22-MAY-84		DOCUMENT NUMBER			
BM	M7606-ML001	B	[A]	AA,AC,AH,BA	RESP.ENG.: BARRY MASKAS		DATE: 8-AUG-84		SIZE	CODE	NUMBER	REV
BM	M7606-ML002	C	[B]	BC,BH,CA,CC	MFG.ENG.: BILL SCHULTE		DATE: 22-MAY-84		K	PL	M7606-0-DBP	D
BM	M7606-ML003	D	[C]	CH,DA,DC,DH	ASSEMBLY NUMBER:		TOP DOCUMENT NUMBER:		FILE NAME:		EDIT #	
			[D]		D-UA-M7606-0-0		B-DD-M7606-0-0		Z8847D.PLS		38	
			[E]									
			[F]									
			[H]									
			[J]									
			[K]									
			[L]									
			[M]									
			[N]									

"THIS DRAWING AND THE SPECIFICATIONS CONTAINED HEREIN ARE CONFIDENTIAL AND PROPRIETARY. THEY ARE THE PROPERTY OF DIGITAL EQUIPMENT CORPORATION AND SHALL NOT BE REPRODUCED OR COPIED OR USED IN WHOLE OR IN PART AS THE BASIS FOR THE MANUFACTURE OR SALE OF ITEMS WITHOUT WRITTEN PERMISSION. THIS IS AN UNPUBLISHED WORK PROTECTED UNDER THE FEDERAL COPYRIGHT LAWS."



LINE	ITEM	TOP DOCUMENT	PART NUMBER	MIN REV	DESCRIPTION	VARIATION				REFERENCE DESIGNATOR
						CH	DA	DC	DH	
VARIATION REVISION LEVEL:						E1	E1	E1	E1	
31	31		1316395-02		R NETWORK 9-1.0K 2.0 % 10PIN	1	1	1	1	R9
32	32		1317404-00		249.0 .25 W 1.0 % RN55D-F10	1	1	1	1	R13
33	33		1317558-01		R NETWORK 4-27 5.0 % 8PIN	2	2	2	2	R39,R40
34	34		1318110-00		R NETWORK 11-330 11-680 13PIN	4	4	4	4	R24-R27
35	35		1319610-01		750.0 K .25 W .10% RN55E-B 2	1	1	1	1	R17
36	36		1319645-01		487.0 K .25 W .10% RN55E-B 2	1	1	1	1	R18
37	37		1321144-01		R NETWORK 5-220 2.0% 10PIN	1	1	1	1	R28
38	38		1321218-01		R NETWORK 4-39 +-10HM 8PIN	4	4	4	4	R35-R38
39	39		1811660-05		OSCILLATOR, XTAL 33.330 MHZ	1	1	1	1	Y3
40	40		1811660-62		OSCILLATOR, XTAL 614.4 KHZ	1	1	1	1	Y2
41	41		1814057-00		*** THIS ITEM IS NOT USED ***	-	-	-	-	
42	42		1818800-00		OSCILLATOR, XTAL 32.768KHZ	1	1	1	1	Y1
43	43		1911469-B0		8640 BURNED-IN RECEIVER, B	1	1	1	1	E16
44	44		1912803-B0		LS04 BURNED-IN INVERTER G	1	1	1	1	E25
45	45		1913471-B0		LS367 BURNED-IN DRIVER, BUS	1	1	1	1	E41
46	46		1914140-01	LM	211P COMPARATOR, VOLTAGE	1	1	1	1	E29
47	47		1914987-00		8641-2 TRANSCEIVER, UNIBUS, QU	4	4	4	4	E5, E7, E19, E24
48	48		1915193-B0		LS244 BURNED-IN DRIVER, LIN	1	1	1	1	E28
49	49		1915219-B0		LS373 BURNED-IN FF-0 OCTAL	1	1	1	1	E1
50	50		1915415-B0		9636 BURNED-IN DRIVER, DUA	1	1	1	1	E23
51	51		1916028-B1		9643 BURNED-IN DRIVER, TTL	1	1	1	1	E15
52	52		1918868-B0		LS26 NAND GATE, 2-IN, HIGH	1	1	1	1	E35
53	53		1919015-00	DC	021 BUS TRANSCEIVER, 20PI	3	3	3	3	E11, E30, E36
54	54		1919542-B1		9639 RECEIVER, LINE, DUAL, P	1	1	1	1	E18
55	55		1919684-01	LM	385B2 PREC VOLT REF. 1.23	1	1	1	1	D5
56	56		1920441-B1		74F245 TRANSCEIVER, BI-DIREC	4	4	4	4	E52, E71, E85, E99
57	57		1920442-B1		74F374 FF-D, OCTAL, TRI-STATE	2	2	2	2	E8, E12
58	58		1920853-B1		LS646 BUS TRANSCEIVER/REGI	2	2	2	2	E9, E10
59	59		1921008-B1		74F240 BUFFER/LINE DRIVER, 0	2	2	2	2	E80, E94
60	60		1921010-B1		74F373 OCTAL TRANSPARENT LA	5	5	5	5	E2, E6, E46, E53, E73
61	61		1921305-B1		74F00 NAND GATE, QUAD, 2-IN,	1	1	1	1	E47
62	62		1921306-B1		74F02 NOR GATE, QUAD, 2-IN, B	1	1	1	1	E38
63	63		1921307-B1		74F04 HEX INVERTER, BURNED	2	2	2	2	E32, E87
64	64		1921312-B1		74F32 OR GATE, QUAD, 2-IN, BU	2	2	2	2	E37, E65
65	65		1921314-B1		74F74 FF-D, DUAL, BURNED-IN	2	2	2	2	E31, E34
66	66		1921321-B1		74F158 MUX, QUAD, 2-IN, BURNED	3	3	3	3	E72, E93, E101
67	67		1921323-B1		74F174 FF-D, HEX, BURNED-IN	2	2	2	2	E17, E59
68	68		1921417-B1		74F521 COMPARATOR, IDENTITY,	1	1	1	1	E66
69	69		1922871-01		TRANSCEIVER, PARITY B	4	4	4	4	E58, E64, E92, E106
70	70		1923679-B1		74F537 DECODER/DEMUX, 1-OF-1	1	1	1	1	E100
71	71		2117312-00		UART DL-11 SOFTWARE	1	1	1	1	E13
72	72		2118467-02		8264-15 RAM 64K X1, 150NS 1	-	-	36	-	E48-E51, E54-E57, E60-E63, E67-E70, CONT E74-E77, E81-E84, E88-E91, E95-E98, CONT E102-E105
73	73		2118472-02		4164-3 MOS RAM 64K X1, 150	36	-	-	36	E48-E51, E54-E57, E60-E63, E67-E70, CONT E74-E77, E81-E84, E88-E91, E95-E98, CONT E102-E105
74	74		2118795-00		146818 CLOCK/CALENDAR/RAM	1	1	1	1	E14

D	I	G	I	T	A	L	TITLE		SECTION C	OF	C	SIZE	CODE	DOCUMENT NUMBER	REV
							MAYFLOWER KA630					K	PL	M7606-0-DBP	D

LINE	ITEM	TOP DOCUMENT	PART NUMBER	MIN REV	DESCRIPTION	QTY PER VARIATION				REFERENCE DESIGNATOR
						CH E1	DA E1	DC E1	DH E1	
75	75		2120887-01		DC 333 MICROVAX,32BIT 68PIN	1	1	1	1	E43
76	76		2121384-02		RAM 8KX8,STATIC 150	2	2	2	2	E3,E4
77	77		2121413-02		*** THIS ITEM IS NOT USED ***	-	-	-	-	
78	78		2121415-02		*** THIS ITEM IS NOT USED ***	-	-	-	-	
79	79		2122797-01		DC 337 MICROVAX FLOATING PO	1	-	-	-	E42
80	80		2123389-01		GATE ARRAY,3200 GATE	1	1	1	1	E45
81	81		2123413-01		DC379 CMOS GATE ARRAY,144PGA,320	1	1	1	1	E44
82	82		23007L3-00		*** THIS ITEM IS NOT USED ***	-	-	-	-	
83	83		23008L3-00		L3-01 FPLS	1	1	1	1	E20
84	84		23009L3-00		L3-01	1	1	1	1	E26
85	85		23010L3-00		L3-01	1	1	1	1	E33
86	86		23018E6-00		*** THIS ITEM IS NOT USED ***	-	-	-	-	
87	87		23019E6-00		*** THIS ITEM IS NOT USED ***	-	-	-	-	
88	88		23036L1-00		*** THIS ITEM IS NOT USED ***	-	-	-	-	
89	89		23115F2-00		F2-03	1	1	1	1	E79
90	90		23169J5-00		J5-03 PAL,LOGIC	1	1	1	1	E40
91	91		23170J5-00		J5-03 PAL,LOGIC	1	1	1	1	E78
92	92		23171J5-00		J5-03 PAL,LOGIC	1	1	1	1	E86
93	93		23E42F1-00		*** THIS ITEM IS NOT USED ***	-	-	-	-	
94	94		9000024-01		EYELET,ROLLED 0.1210DX0.192	4	4	4	4	
95	95		9009185-00		JUMPER, WIRE, INSULATED, BLACK B	3	3	3	3	W2,W3,W6
96	96		9907004-06		CARTON,DIE CUT,B,200PSI W/ARTWOR	1	1	1	1	
97	97		9907025-06		BAG,ANTISTATIC BUBBLE	1	1	1	1	
98	98		9907092-04		BAG,TRANSLUCENT,ESD PROTECTIVE	1	1	1	1	
99	99		23034E6-00		*** THIS ITEM IS NOT USED ***	-	-	-	-	
100	100		23035E6-00		*** THIS ITEM IS NOT USED ***	-	-	-	-	
101	101		23053L1-00		L1-01	1	1	1	1	E27
102	102		23062E6-00		E6-02 U	1	1	1	1	E22
103	103		23063E6-00		E6-02 U	1	1	1	1	E21
104	104		23014L3-00		L3-01	1	1	1	1	E39

- 105 NOTE: M7606-AA IS THE PRIMARY VARIATION OF THE KA630 CPU.
- 106 NOTE: M7606-AC IS THE MODULE USING FUJITSU 256K RAMS.
- 107 NOTE: M7606-AH IS THE MODULE USING NEC 256K RAMS.
- 108 NOTE: M7606-BA IS THE AA VERSION WITHOUT FLOATING POINT.
- 109 NOTE: M7606-BC IS THE MODULE USING FUJITSU 256K RAMS.
- 110 NOTE: M7606-BH IS THE MODULE USING NEC 256K RAMS.
- 111 NOTE: M7606-CA IS THE AA VERSION USING 64K RAMS
- 112 NOTE: M7606-CC IS THE MODULE USING FUJITSU 64K RAMS.
- 113 NOTE: M7606-CH IS THE MODULE USING NEC 64K RAMS.
- 114 NOTE: M7606-DA IS THE CA VERSION WITHOUT FLOATING POINT.
- 115 NOTE: M7606-DC IS THE MODULE USING FUJITSU 64K RAMS.
- 116 NOTE: M7606-DH IS THE MODULE USING NEC 64K RAMS.

D	I	G	I	T	A	L	TITLE	SECTION C	OF C	SIZE	CODE	DOCUMENT NUMBER	REV
							MAYFLOWER KA630			K	PL	M7606-0-DBP	D

### KA630-AA, -AB, -AC, -AD (M7606) DRAWING DIRECTORY

#### DATA PATH

- 0 MICROVAX II SYSTEM
- 1 KA630 - uVAX on Q22 Bus
  - 1.1 uVAX & FPU
    - 1.1.1 uVAX & FPU PINOUTS
  - 1.2 ADDRESS LATCH/LOCAL MEMORY DECODE
  - 1.3 Memory Subsystem
  - 1.4 Q22 Bus Interface Gate Array
    - 1.4.1-1.4.2, 1.4.1.1-1.4.1.9
  - 1.5 Translation Map Group
  - 1.6 KA630 QBUS INTERFACE
  - 1.7 uVAX Interface Gate Array
    - 1.7.1-1.7.2, 1.7.2.1-1.7.2.10
  - 1.8 TOY CLOCK
  - 1.9 Console Serial Line Interface
  - 1.10 LEDS and Configuration Connector
  - 1.11 Decoupling Capacitors

#### CONTROL

- 2 KA630 State Machines
  - 2.1 uVAX Cycle Controller
    - 2.1.1 MEMORY SEQUENCER
    - 2.1.2 MEMORY SEQUENCER SUPPORT
  - 2.2 Q22 BUS STATE MACHINES

#### MISC.

- 3 KA630 MEMORY ARBITER LISTING
  - 3.1-3.2 KA630 MEMORY ARBITER FLOW DIAGRAM
- 4 KA630 LOCAL I/O CONTROL MACHINE LISTING
  - 4.1 KA630 LOCAL I/O CONTROL MACHINE FLOW DIAGRAM
- 5 Q22 BUS ARBITRATION CONTROL MACHINE LISTING
  - 5.1 Q22 BUS ARBITRATION CONTROL MACHINE FLOW DIAGRAM
- 6 Q22 BUS MASTER CONTROL MACHINE LISTING
  - 6.1 Q22 BUS MASTER CONTROL MACHINE FLOW DIAGRAM
- 7 Q22 BUS SLAVE CONTROL MACHINE LISTING
  - 7.1-7.2 Q22 BUS SLAVE CONTROL MACHINE FLOW DIAGRAM
- 8 1Kx4 RAS DECODE PROM (E79) LISTING
- 9 PALASM LISTINGS FOR PAL16L8A DEVICES
- 10 MNEMONIC DICTIONARY

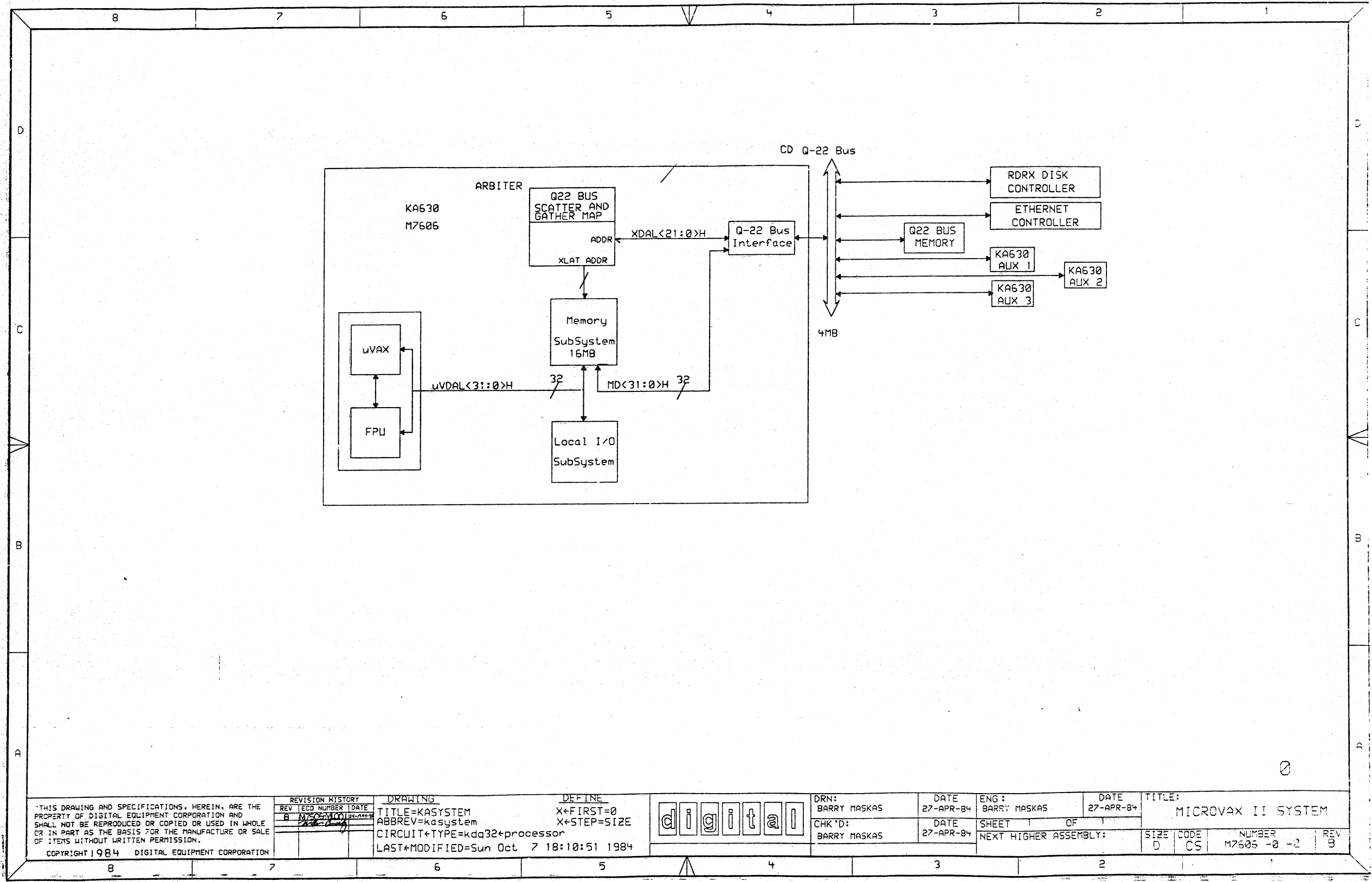
DRAWING  
 TITLE=DIRECTORY  
 ABBREV=DIRECT  
 CIRCUIT<TYPE=DOCUMENTATION  
 LAST<MODIFIED=Sun Dec 9 16:50:34 1984

DEFINE  
 X<FIRST=0  
 X<STEP=SIZE

REVISION	CHK	CHANGE NO.	REV

JOE M. MULLIN

digital	DRN.	DATE	ENG.	DATE	TITLE:	
	MASKAS & McNamara	8-DEC-83	MASKAS & McNamara	8-DEC-83	M7606 DRAWING DIRECTORY	
	CHK'D.	DATE	BOARD LOCATION:			
	MASKAS & McNamara	8-DEC-83				
USRA:	FIRST USED ON OPTION/MODEL:	TOP DOCUMENT NUMBER:	SIZE	CODE	NUMBER	REV.
			D	CS	M7606 -0 -1	B



THIS DRAWING AND SPECIFICATIONS, HEREIN, ARE THE PROPERTY OF DIGITAL EQUIPMENT CORPORATION AND SHALL NOT BE REPRODUCED OR COPIED OR USED IN WHOLE OR IN PART AS THE BASIS FOR THE MANUFACTURE OR SALE OF ITEMS WITHOUT WRITTEN PERMISSION.  
 COPYRIGHT 1984 DIGITAL EQUIPMENT CORPORATION

REVISION HISTORY		
REV	TECD NUMBER	DATE
1		10/7/84
2		10/7/84

**DRAWING**  
 TITLE=KASystem  
 ABBREV=kasystem  
 CIRCUIT+TYPE=kda32+processor  
 LAST+MODIFIED=Sun Oct 7 18:10:51 1984

**DEFINE**  
 X+FIRST=0  
 X+STEP=SIZE

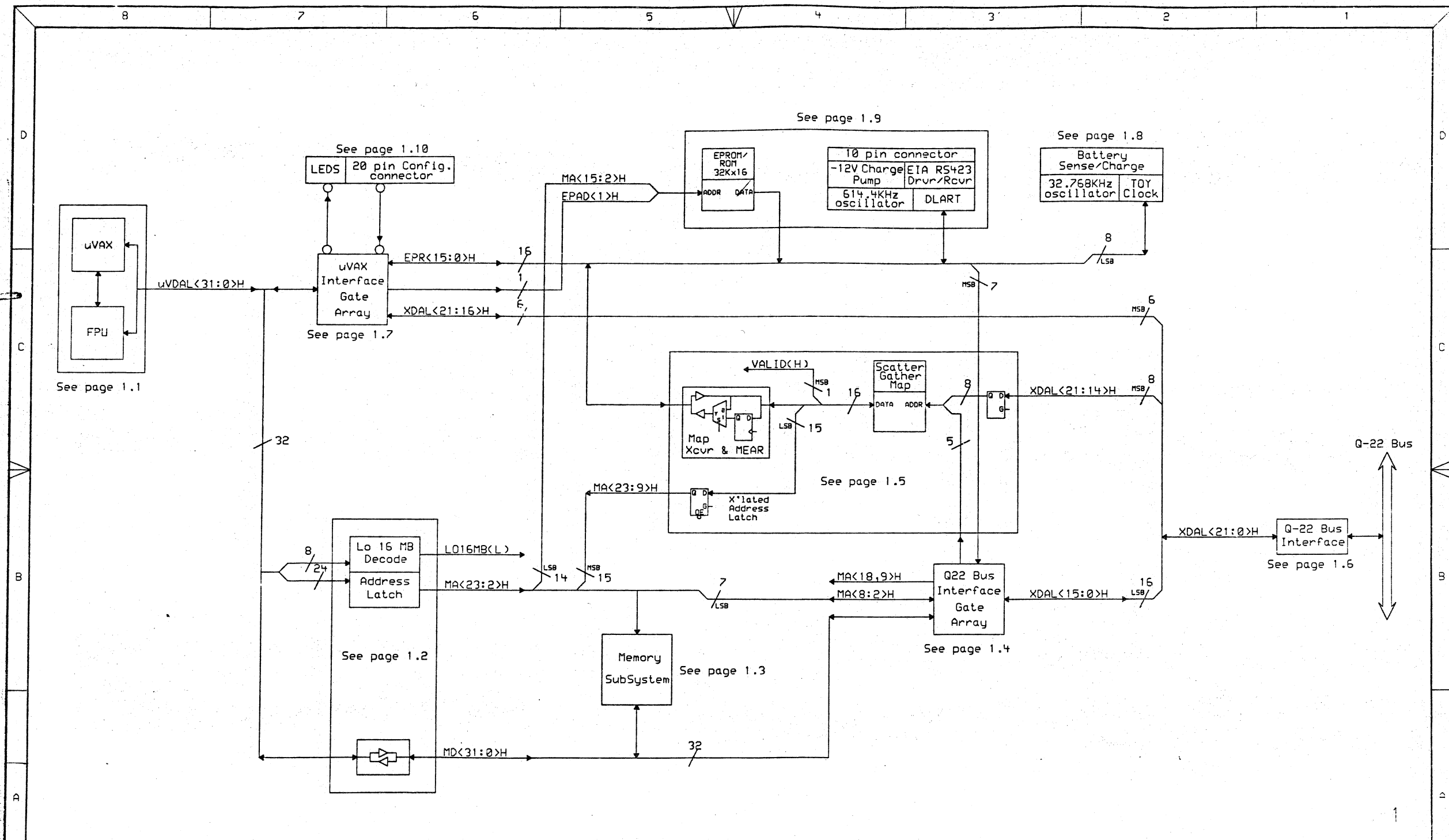


**DRN:**  
 BARRY MASKAS  
**CHK'D:**  
 BARRY MASKAS

**DATE:**  
 27-APR-84  
**DATE:**  
 27-APR-84

**ENG:**  
 BARRY MASKAS  
**DATE:**  
 27-APR-84  
**TITLE:**  
 MICROVAX II SYSTEM

SIZE	CODE	NUMBER	REV
D	CS	M7505 -0 -2	3



"THIS DRAWING AND SPECIFICATIONS, HEREIN, ARE THE PROPERTY OF DIGITAL EQUIPMENT CORPORATION AND SHALL NOT BE REPRODUCED OR COPIED OR USED IN WHOLE OR IN PART AS THE BASIS FOR THE MANUFACTURE OR SALE OF ITEMS WITHOUT WRITTEN PERMISSION.  
 COPYRIGHT 1984 DIGITAL EQUIPMENT CORPORATION

REVISION HISTORY		
REV	ECO NUMBER	DATE
B	M7606-0-3	3-10-84

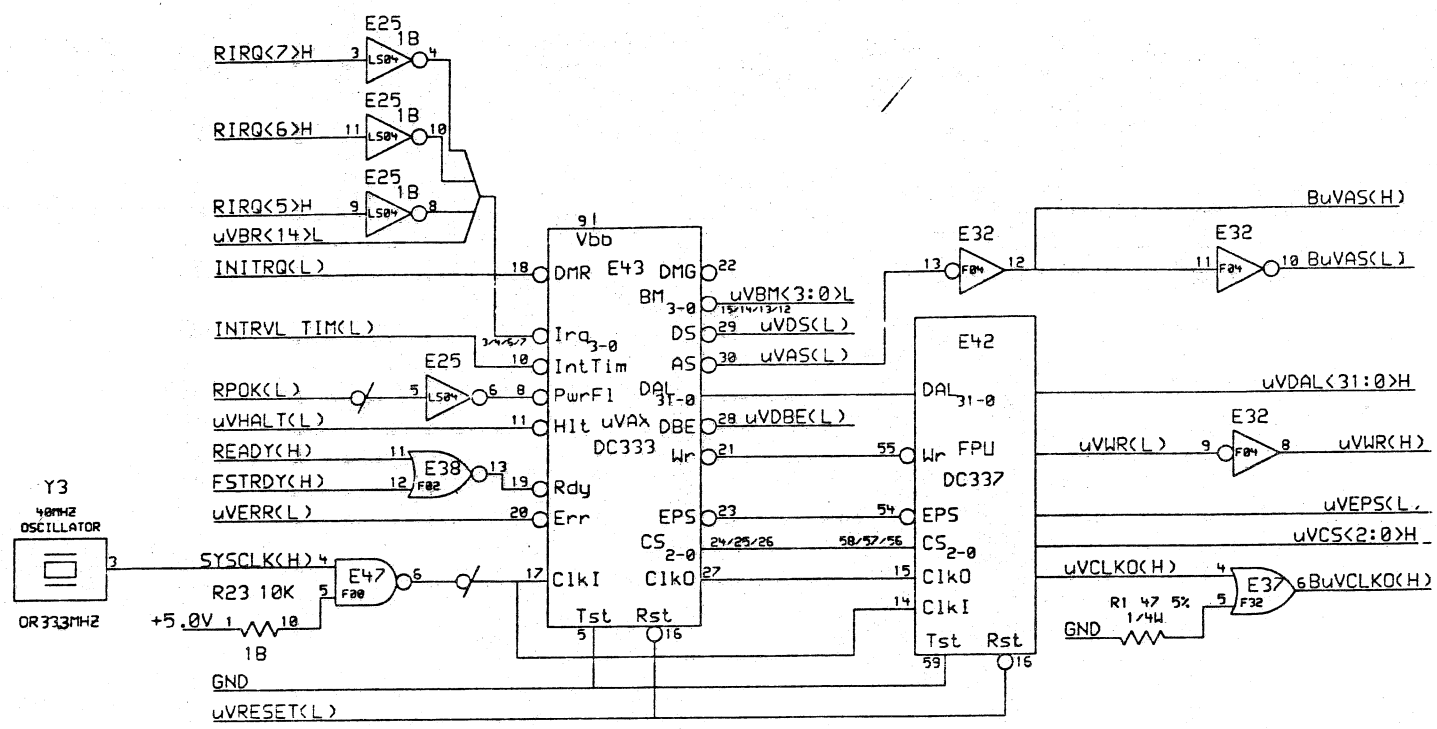
**DRAWING**  
 TITLE=KDG32  
 ABBREV=kdq32  
 CIRCUIT+TYPE=kdq32+processor  
 LAST+MODIFIED=Fri Oct 12 11:27:57 1984

DEFINE  
 X<FIRST=0  
 X<STEP=SIZE

**digital**

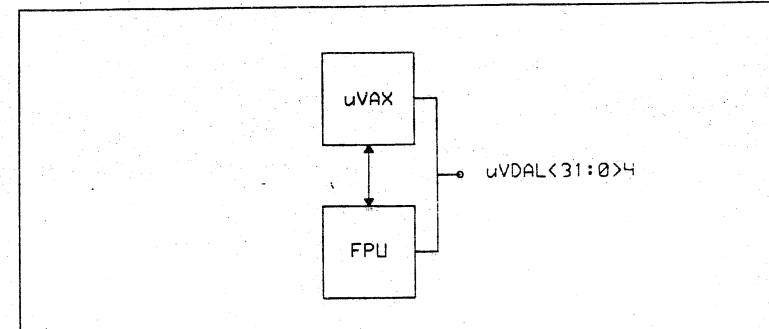
DRN: R. McNamara	DATE 3-OCT-84	ENG: R. McNamara	DATE 3-OCT-84
CHK'D: R. McNamara	DATE 3-OCT-84	SHEET 1 OF 1	NEXT HIGHER ASSEMBLY:

TITLE: KA630 - uVAX on Q22 Bus			
SIZE 0	CODE CS	NUMBER M7606 -0 -3	REV B



UVAS(L) CYCLES  
 uVCS<2:0>H uVWR(L)  
 LHH H interrupt acknowledge (IAK)  
 HLL H read (i - stream)  
 HLL H read (lock)  
 HLL H read (D - stream)  
 HLL L write (unlock)  
 HHH L write (D - stream)  
 x = don't care

uVEPS(L) CYCLES  
 uVCS<2:0>H uVWR(L)  
 HLL H read data  
 HHH H read response (uVCS<2> pulled low by responder)  
 HLL L write command (fpu)  
 HLL L write data  
 HHL L write command (non-fpu)

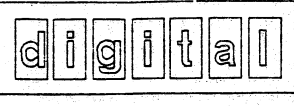


"THIS DRAWING AND SPECIFICATIONS, HEREIN, ARE THE PROPERTY OF DIGITAL EQUIPMENT CORPORATION AND SHALL NOT BE REPRODUCED OR COPIED OR USED IN WHOLE OR IN PART AS THE BASIS FOR THE MANUFACTURE OR SALE OF ITEMS WITHOUT WRITTEN PERMISSION.  
 COPYRIGHT 1984 DIGITAL EQUIPMENT CORPORATION

REVISION HISTORY		
REV	ECO NUMBER	DATE
1		3-10-84

DRAWING  
 TITLE=UVAX  
 ABBREV=UVAX+FPU  
 CIRCUIT+TYPE=UVAX/FPU  
 LAST+MODIFIED=Fri Nov 9 18:39:57 1984

DEFINE  
 X+FIRST=0  
 X+STEP=SIZE

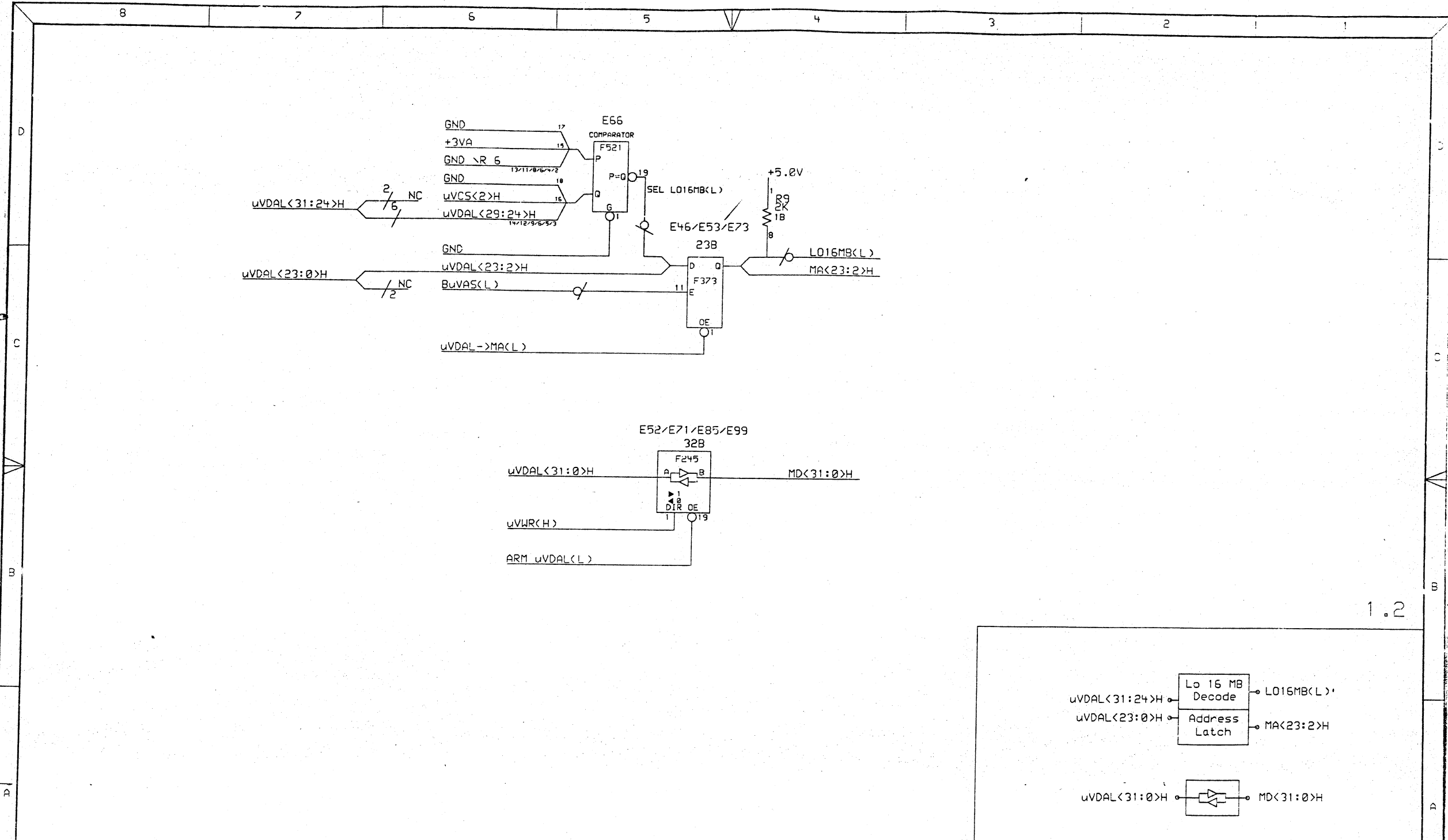


DRN: BARRY MASKAS  
 DATE: 3-OCT-84  
 CHK'D: BARRY MASKAS  
 DATE: 3-OCT-84

ENG: BARRY MASKAS  
 DATE: 3-OCT-84  
 SHEET 1 OF 1  
 NEXT HIGHER ASSEMBLY:

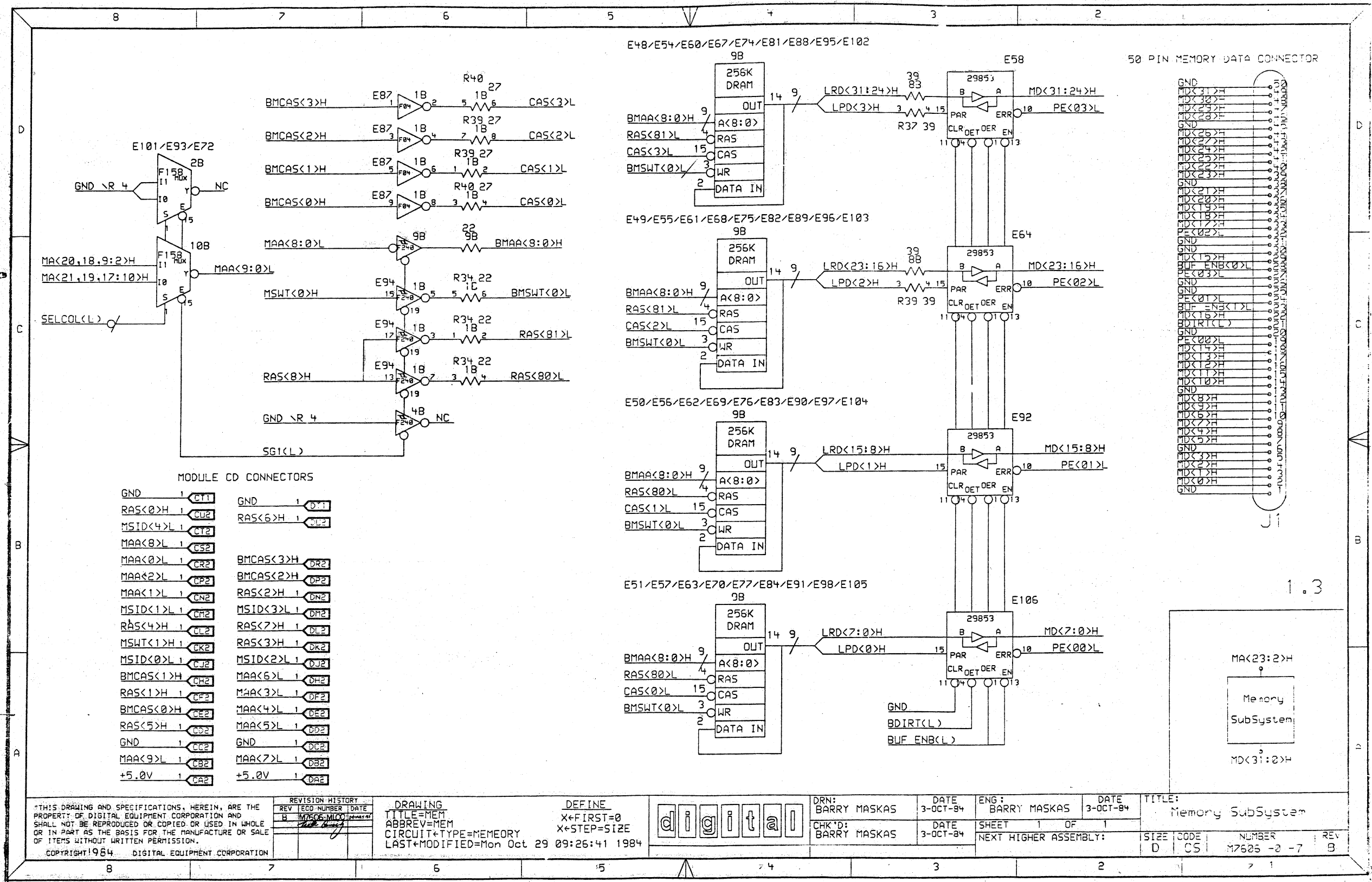
TITLE: UVAX & FPU  
 SIZE: D  
 CODE: CS  
 NUMBER: M7505 -0 -4  
 REV: B

1.1



1.2

*THIS DRAWING AND SPECIFICATIONS, HEREIN, ARE THE PROPERTY OF DIGITAL EQUIPMENT CORPORATION AND SHALL NOT BE REPRODUCED OR COPIED OR USED IN WHOLE OR IN PART AS THE BASIS FOR THE MANUFACTURE OR SALE OF ITEMS WITHOUT WRITTEN PERMISSION. COPYRIGHT 1984 DIGITAL EQUIPMENT CORPORATION	REVISION HISTORY REV 1 ECO NUMBER DATE B M7606-00-01-01	DRAWING TITLE=ADDR LATCH ABBREV=ADLATCH CIRCUIT+TYPE=ADDR+LATCH LAST+MODIFIED=Sat Oct 20 18:19:02 1984	DEFINE X+FIRST=0 X+STEP=SIZE	digital	DRN: BARRY MASKAS DATE 3-OCT-84	ENG: BARRY MASKAS DATE 3-OCT-84	TITLE: ADDRESS LATCH/ LOCAL MEMORY DECODE
					SHEET 1 OF 1 NEXT HIGHER ASSEMBLY:	SIZE D CODE CS	NUMBER M7606 -0 -5 REV B



MODULE CD CONNECTORS

GND	1	CT1	GND	1	DT1
RAS<0>H	1	CU2	RAS<6>H	1	DU2
MSID<4>L	1	CT2			
MAA<8>L	1	CS2	BMCAS<3>H	1	DR2
MAA<0>L	1	CR2	BMCAS<2>H	1	DP2
MAA<2>L	1	CP2	RAS<2>H	1	DN2
MAA<1>L	1	CN2	MSID<3>L	1	DM2
MSID<1>L	1	CM2	RAS<7>H	1	DL2
RAS<4>H	1	CL2	RAS<3>H	1	DK2
MSWT<1>H	1	CK2	MSID<2>L	1	DM2
MSID<0>L	1	CJ2	BMCAS<1>H	1	CH2
BMCAS<1>H	1	CH2	MAA<6>L	1	DH2
RAS<1>H	1	CF2	MAA<4>L	1	DF2
BMCAS<0>H	1	CE2	MAA<5>L	1	DE2
RAS<5>H	1	CD2	GND	1	DC2
GND	1	CC2	GND	1	DD2
MAA<9>L	1	CB2	MAA<7>L	1	DB2
+5.0V	1	CA2	+5.0V	1	DA2

"THIS DRAWING AND SPECIFICATIONS, HEREIN, ARE THE PROPERTY OF DIGITAL EQUIPMENT CORPORATION AND SHALL NOT BE REPRODUCED OR COPIED OR USED IN WHOLE OR IN PART AS THE BASIS FOR THE MANUFACTURE OR SALE OF ITEMS WITHOUT WRITTEN PERMISSION.  
 COPYRIGHT 1984 DIGITAL EQUIPMENT CORPORATION

REVISION HISTORY

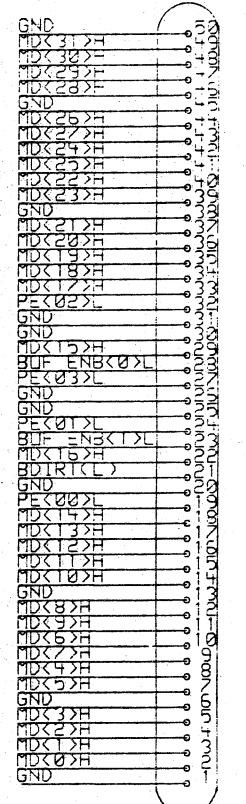
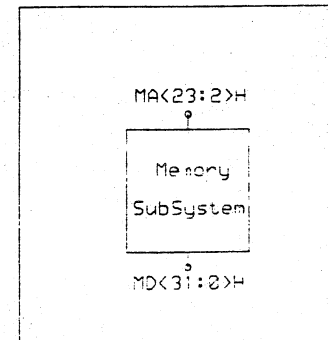
REV	ECO NUMBER	DATE
B	IMPOS-MICO	10/29/84

DRAWING  
 TITLE=MEM  
 ABBREV=MEM  
 CIRCUIT TYPE=MEMORY  
 LAST MODIFIED=Mon Oct 29 09:26:41 1984

DEFINE  
 X\*FIRST=0  
 X\*STEP=SIZE

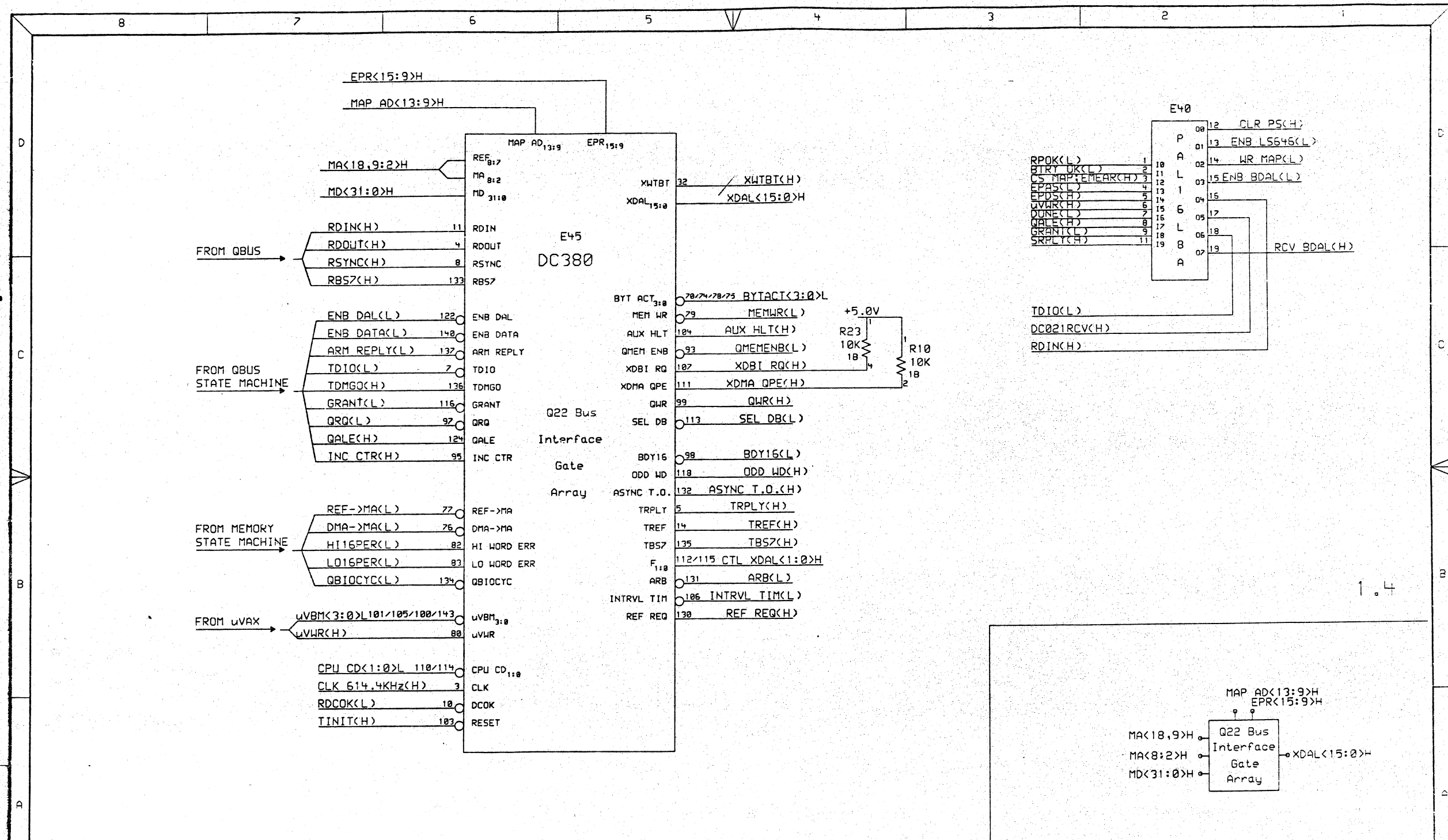


DRN: BARRY MASKAS	DATE 3-OCT-84	ENG: BARRY MASKAS	DATE 3-OCT-84
CHK'D: BARRY MASKAS	DATE 3-OCT-84	SHEET 1 OF 1	TITLE: Memory SubSystem
NEXT HIGHER ASSEMBLY:		SIZE D	CODE CS
		NUMBER M7605-2-7	REV B

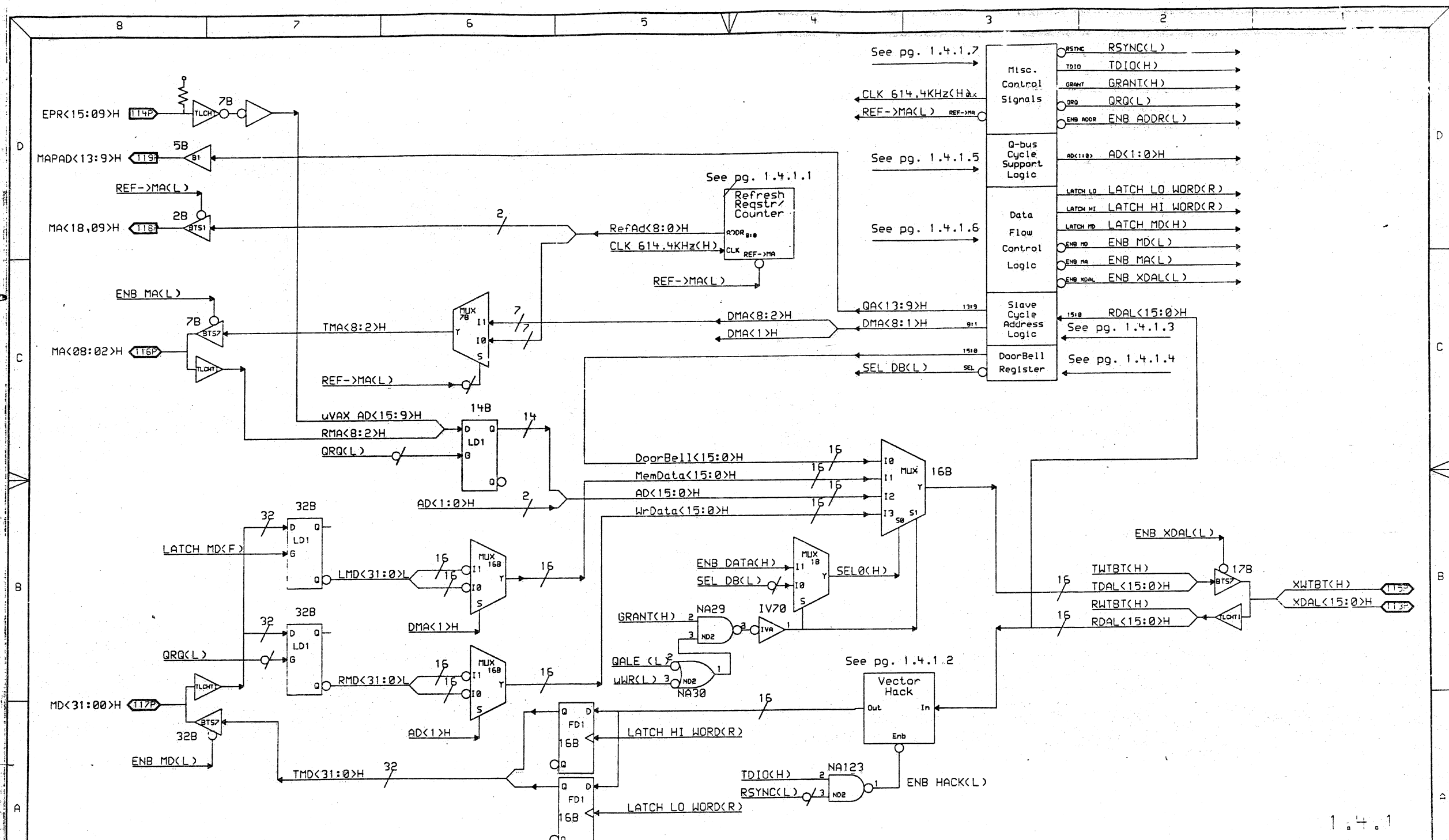


1.3



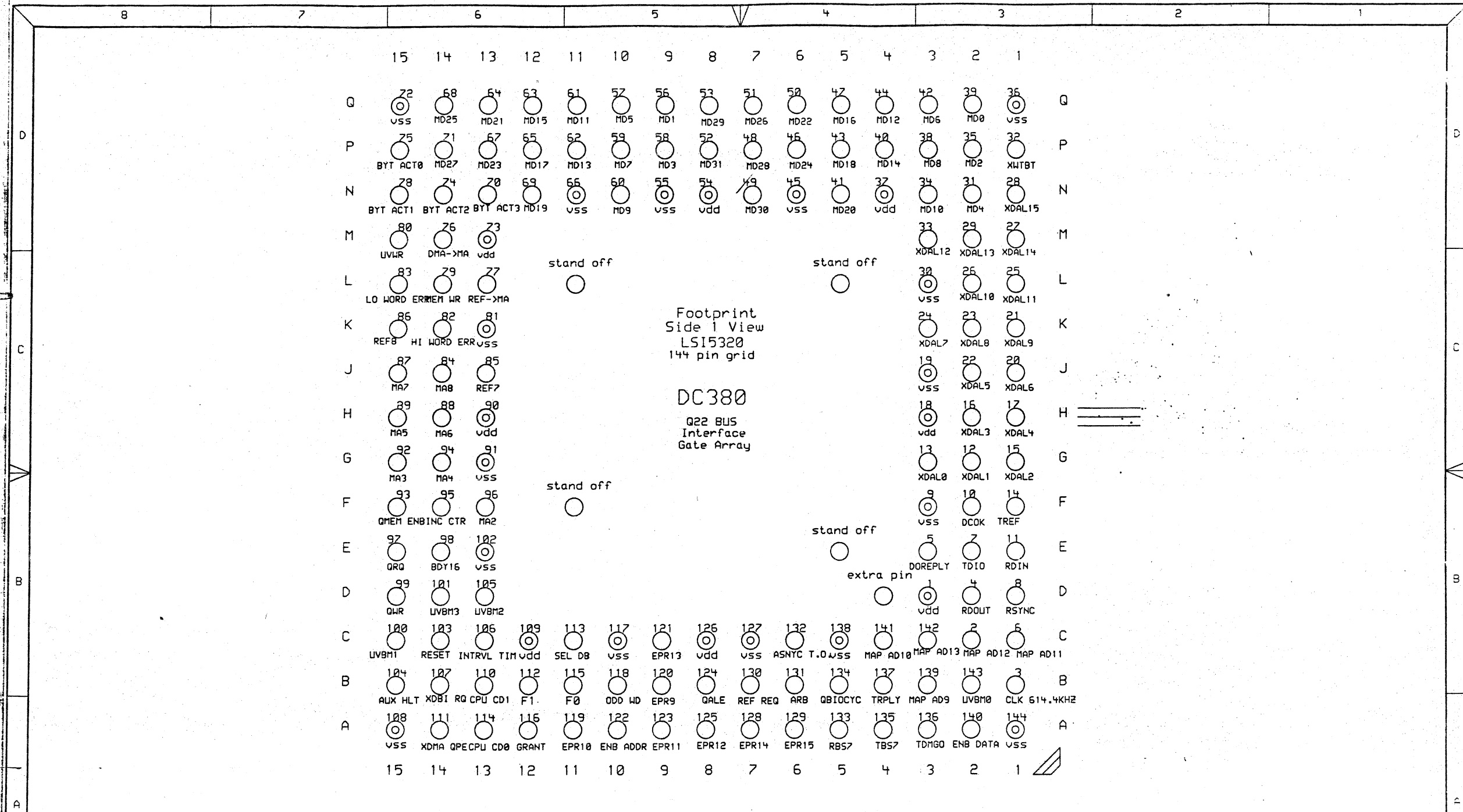


THIS DRAWING AND SPECIFICATIONS, HEREIN, ARE THE PROPERTY OF DIGITAL EQUIPMENT CORPORATION AND SHALL NOT BE REPRODUCED OR COPIED OR USED IN WHOLE OR IN PART AS THE BASIS FOR THE MANUFACTURE OR SALE OF ITEMS WITHOUT WRITTEN PERMISSION. COPYRIGHT 1984 DIGITAL EQUIPMENT CORPORATION		<b>REVISION HISTORY</b> REV. ECO NUMBER DATE A MYS/MC/11/84 B [Signature]	<b>DRAWING</b> TITLE=GATOR2 ABBREV=GA2 CIRCUIT+TYPE=GATE+ARRAY LAST+MODIFIED=Sun Oct 7 18:31:56 1984	<b>DEFINE</b> X+FIRST=0 X+STEP=SIZE	<b>digital</b>	DRN: R. McNamara CHK'D: R. McNamara	DATE 3-OCT-84 DATE 3-OCT-84	ENG: R. McNamara SHEET 1 OF 1	DATE 3-OCT-84 NEXT HIGHER ASSEMBLY:	TITLE: Q22 Bus Interface Gate Array SIZE CODE D CS NUMBER 17605 -0 -8 REV B
--	--	--	--	---	----------------	--	--------------------------------	----------------------------------	--	--



1.4.1

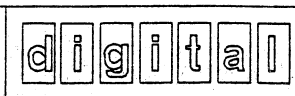
THIS DRAWING AND SPECIFICATIONS, HEREIN, ARE THE PROPERTY OF DIGITAL EQUIPMENT CORPORATION AND SHALL NOT BE REPRODUCED OR COPIED OR USED IN WHOLE OR IN PART AS THE BASIS FOR THE MANUFACTURE OR SALE OF ITEMS WITHOUT WRITTEN PERMISSION. COPYRIGHT 1984 DIGITAL EQUIPMENT CORPORATION	REVISION HISTORY REV   ECD NUMBER   DATE B   M7505-01   15-DEC-83	DRAWING TITLE=GA2 ABBREV=GA2 LAST+MODIFIED=Tue Oct 9 14:46:23 1984	DEFINE X*FIRST=0 X*STEP=SIZE	digital	DRN: R. McNamara DATE 15-DEC-83	ENG: R. McNamara DATE 15-DEC-83	DATE 15-DEC-83 SHEET 1 OF 1 NEXT HIGHER ASSEMBLY:	TITLE: Q22 Bus Interface Gate Array	SIZE   CODE   NUMBER   REV D   cs   M7505-01-3   1
	1.4.1								



1.4.2

"THIS DRAWING AND SPECIFICATIONS, HEREIN, ARE THE PROPERTY OF DIGITAL EQUIPMENT CORPORATION AND SHALL NOT BE REPRODUCED OR COPIED OR USED IN WHOLE OR IN PART AS THE BASIS FOR THE MANUFACTURE OR SALE OF ITEMS WITHOUT WRITTEN PERMISSION.  
 COPYRIGHT 1984 DIGITAL EQUIPMENT CORPORATION

REVISION HISTORY		
REV	ECO NUMBER	DATE
B	M7605-0-10	18-MAY-84

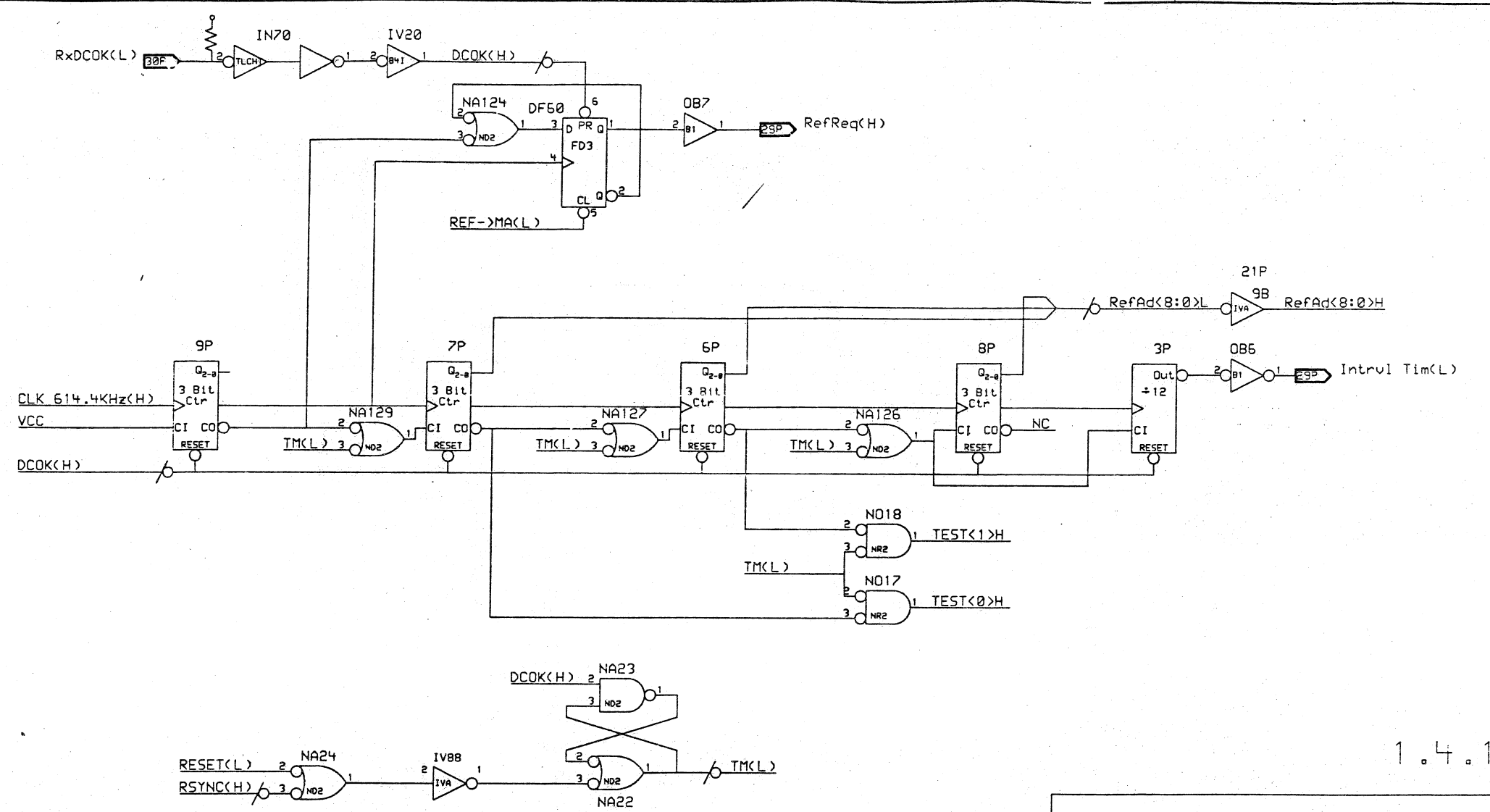


DRN: R. McNamara  
 DATE: 18-MAY-84  
 CHK'D: R. McNamara  
 DATE: 18-MAY-84

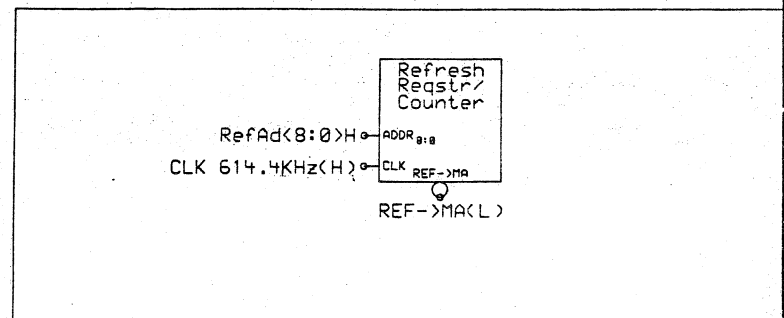
ENG: R. McNamara  
 DATE: 18-MAY-84  
 SHEET 1 OF 1  
 NEXT HIGHER ASSEMBLY:

TITLE: DC380 PAD ASSIGNMENT TOP VIEW  
 LL5320 IN 144 PIN GRID ARRAY  
 SIZE: D CS  
 NUMBER: M7605-0-10  
 REV: B

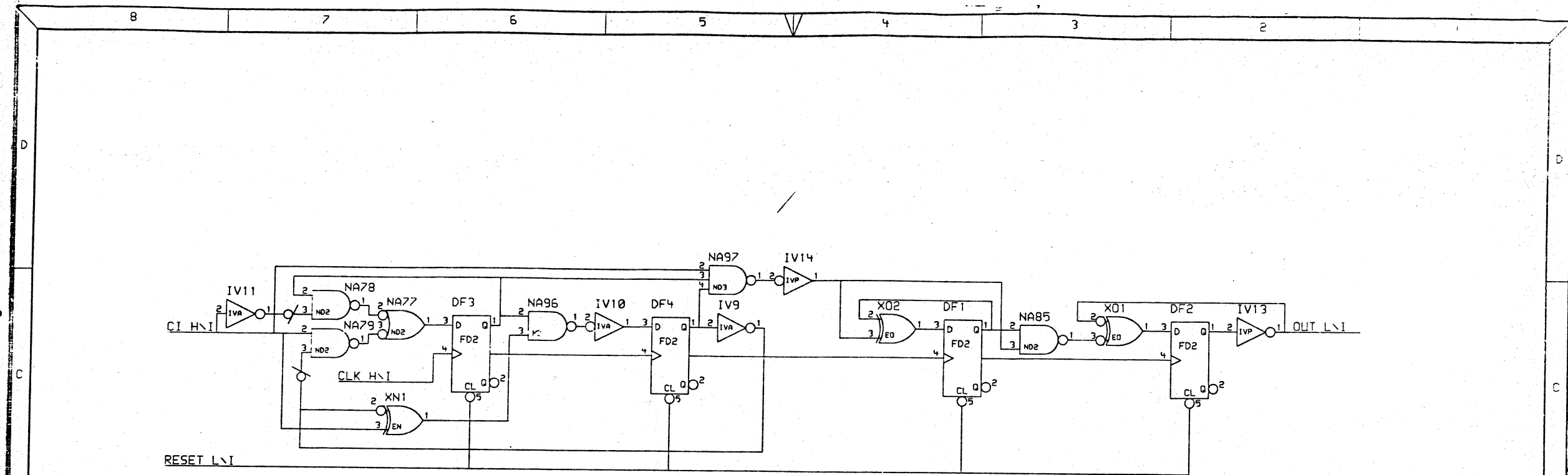




1.4.1.1



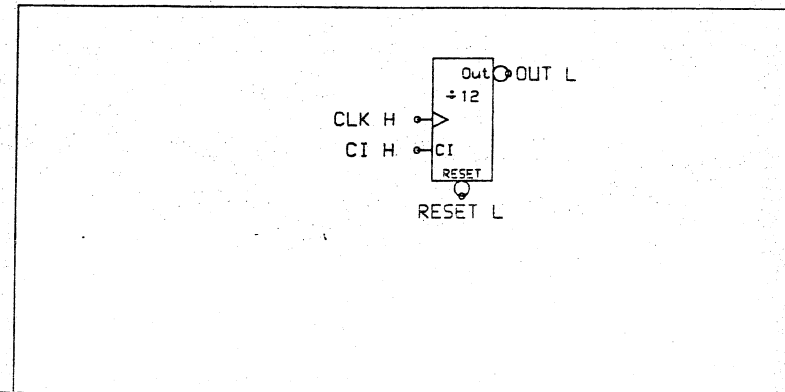
*THIS DRAWING AND SPECIFICATIONS, HEREIN, ARE THE PROPERTY OF DIGITAL EQUIPMENT CORPORATION AND SHALL NOT BE REPRODUCED OR COPIED OR USED IN WHOLE OR IN PART AS THE BASIS FOR THE MANUFACTURE OR SALE OF ITEMS WITHOUT WRITTEN PERMISSION. COPYRIGHT 1984 DIGITAL EQUIPMENT CORPORATION	REVISION HISTORY REV TECO NUMBER DATE B M7606-0001 11/83	DRAWING LAST+MODIFIED=Wed Oct 10 19:06:07 1984		DRN: R. McNamara DATE 13-NOV-83	ENG: R. McNamara DATE 13-NOV-83	TITLE: REFRESH LOGIC/COUNTER
				CHK'D: R. McNamara DATE 13-NOV-83	SHEET 1 OF 1 NEXT HIGHER ASSEMBLY:	SIZE CODE NUMBER D CS M7606-0-11



DIVIDE BY 3

DIVIDE BY 4

1.4.1.1.1



\*THIS DRAWING AND SPECIFICATIONS, HEREIN, ARE THE PROPERTY OF DIGITAL EQUIPMENT CORPORATION AND SHALL NOT BE REPRODUCED OR COPIED OR USED IN WHOLE OR IN PART AS THE BASIS FOR THE MANUFACTURE OR SALE OF ITEMS WITHOUT WRITTEN PERMISSION.  
 COPYRIGHT 1984 DIGITAL EQUIPMENT CORPORATION

REVISION HISTORY			
REV	ECO NUMBER	DATE	BY
A		11-17-83	R. McNamara

DRAWING  
 TITLE=DIV BY 12  
 ABBREV=DIV12  
 LAST\*MODIFIED=NOT WRITTEN

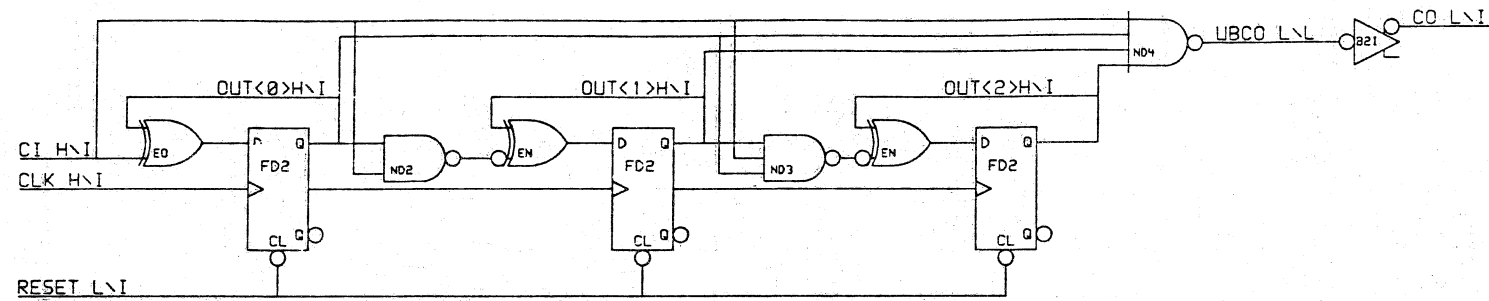
DEFINE  
 X\*FIRST=0  
 X\*STEP=SIZE



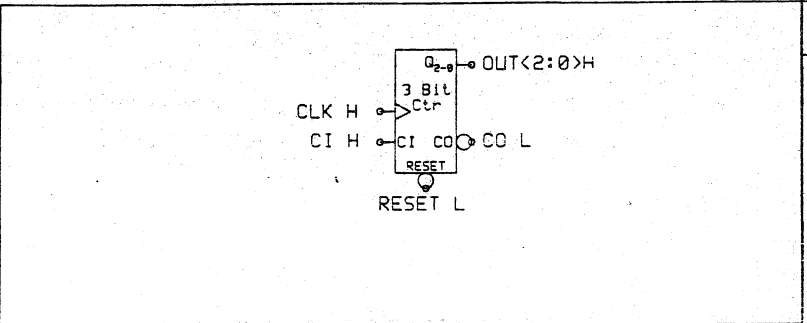
DRN: R. McNamara  
 DATE: 13-NOV-83  
 CHK'D: R. McNamara  
 DATE: 13-NOV-83

ENG: R. McNamara  
 DATE: 13-NOV-83  
 SHEET 1 OF 1  
 NEXT HIGHER ASSEMBLY:

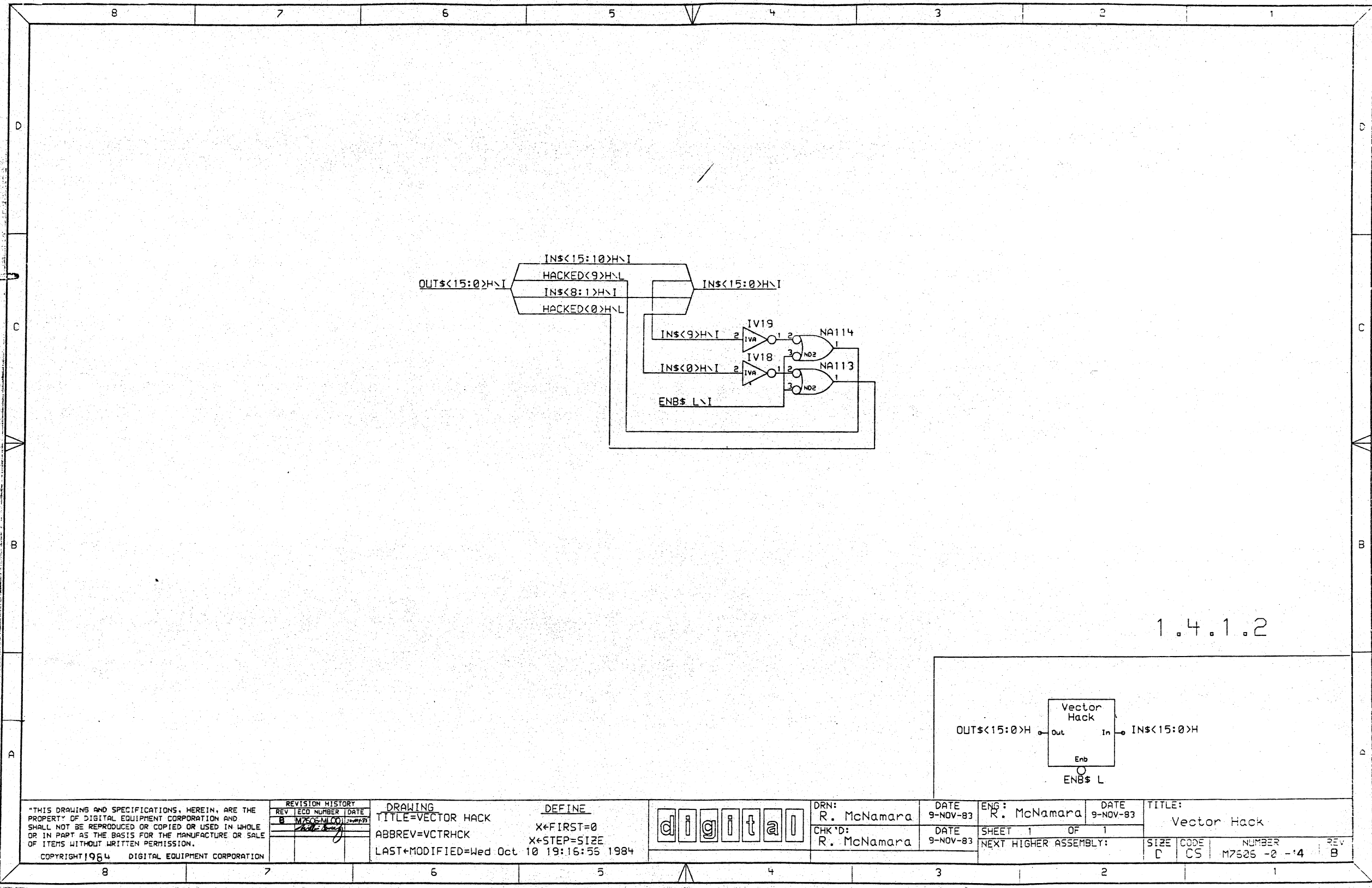
TITLE: Divide by 12  
 SIZE CODE: D CS  
 NUMBER: M7525 -0 -12  
 REV: B



1.4.1.1.2



THIS DRAWING AND SPECIFICATIONS, HEREIN, ARE THE PROPERTY OF DIGITAL EQUIPMENT CORPORATION AND SHALL NOT BE REPRODUCED OR COPIED OR USED IN WHOLE OR IN PART AS THE BASIS FOR THE MANUFACTURE OR SALE OF ITEMS WITHOUT WRITTEN PERMISSION. COPYRIGHT 1984 DIGITAL EQUIPMENT CORPORATION	REVISION HISTORY REV 1 ECO NUMBER DATE B M7605 MCO 04 NOV 83	DRAWING TITLE=3 BIT CTR ABBREV=3BCTR CIRCUIT+TYPE=3BITCTR LAST*MODIFIED=Sat Oct 20 18:47:47 1984	DEFINE X*FIRST=0 X*STEP=SIZE	digital	DRN: R. McNamara DATE 6-NOV-83	ENG: R. McNamara DATE 6-NOV-83	TITLE: Synchronous 3 Bit Counter
					CHK'D: R. McNamara DATE 6-NOV-83	SHEET OF 1 NEXT HIGHER ASSEMBLY:	SIZE CODE NUMBER REV D CS M7605 -0 -13 E



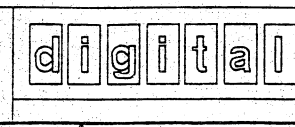
1.4.1.2

"THIS DRAWING AND SPECIFICATIONS, HEREIN, ARE THE PROPERTY OF DIGITAL EQUIPMENT CORPORATION AND SHALL NOT BE REPRODUCED OR COPIED OR USED IN WHOLE OR IN PART AS THE BASIS FOR THE MANUFACTURE OR SALE OF ITEMS WITHOUT WRITTEN PERMISSION.  
 COPYRIGHT 1964 DIGITAL EQUIPMENT CORPORATION

REVISION HISTORY		
REV	ED NUMBER	DATE
B	M7525-1100	9-NOV-83

**DRAWING**  
 TITLE=VECTOR HACK  
 ABBREV=VCTRCK  
 LAST\*MODIFIED=Wed Oct 10 19:16:55 1984

**DEFINE**  
 X\*FIRST=0  
 X\*STEP=SIZE

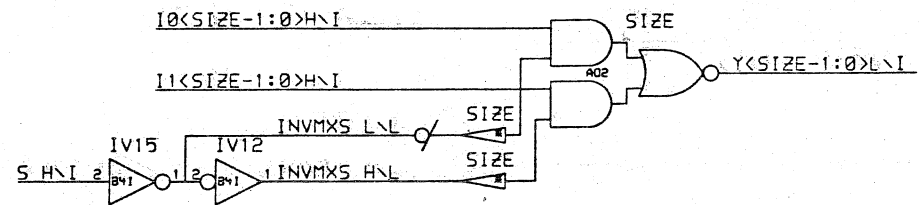


DRN:  
 R. McNamara  
 DATE  
 9-NOV-83  
 CHK'D:  
 R. McNamara  
 DATE  
 9-NOV-83

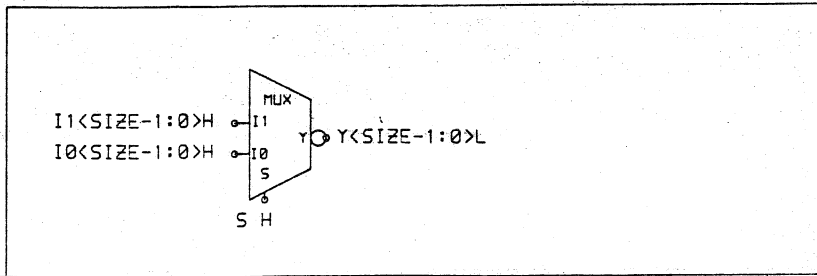
ENG:  
 R. McNamara  
 DATE  
 9-NOV-83  
 SHEET 1 OF 1  
 NEXT HIGHER ASSEMBLY:

TITLE:  
 Vector Hack

SIZE	CODE	NUMBER	REV
D	CS	M7525-2-14	B



1.4.1.2A



"THIS DRAWING AND SPECIFICATIONS, HEREIN, ARE THE PROPERTY OF DIGITAL EQUIPMENT CORPORATION AND SHALL NOT BE REPRODUCED OR COPIED OR USED IN WHOLE OR IN PART AS THE BASIS FOR THE MANUFACTURE OR SALE OF ITEMS WITHOUT WRITTEN PERMISSION.

COPYRIGHT 1984 DIGITAL EQUIPMENT CORPORATION

REVISION HISTORY	
REV	ECO NUMBER   DATE
B	IMVCE MUX 11/27/84

DRAWING

TITLE=INV MUX  
ABBREV=INVMX

LAST MODIFIED=Wed Oct 10 19:20:46 1984

DEFINE

X+FIRST=0  
X+STEP=SIZE

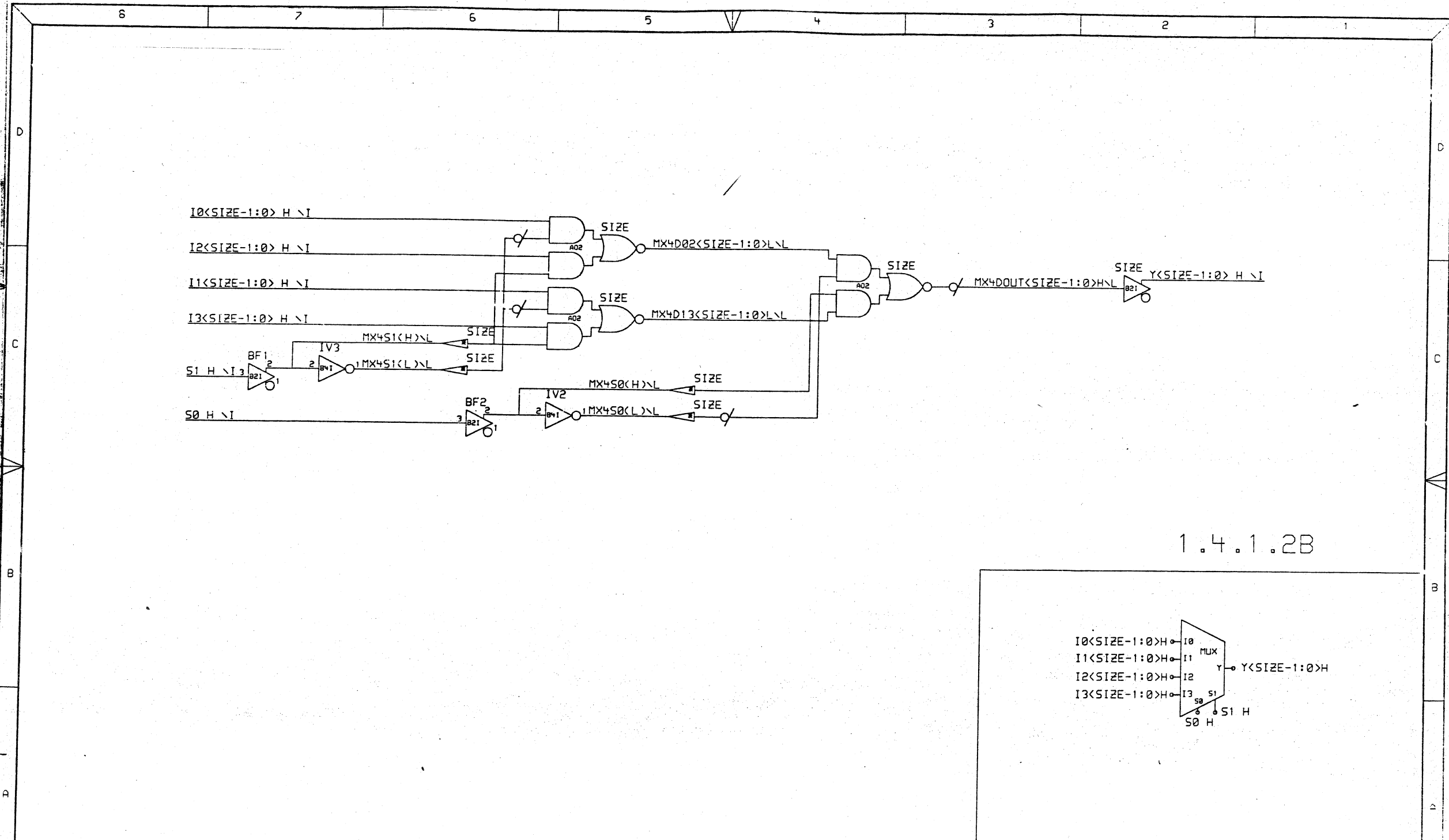
digital

DRN:	R. McNamara	DATE	23-Jan-84
CHK'D:	R. McNamara	DATE	23-Jan-84

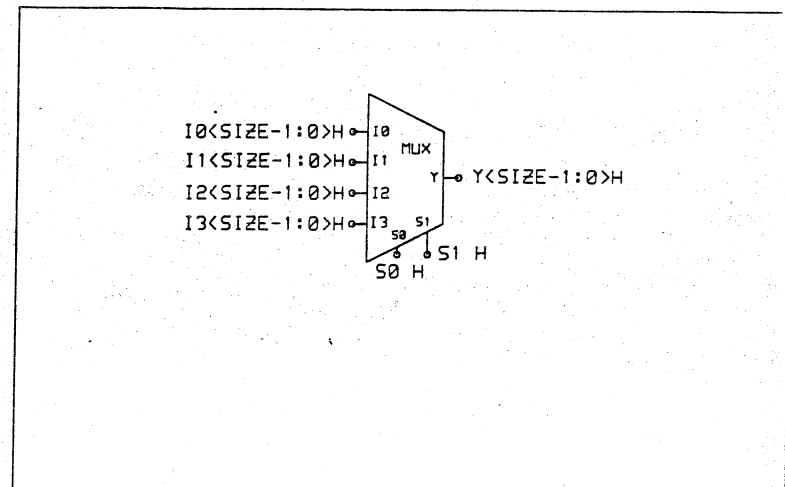
ENG:	R. McNamara	DATE	23-Jan-84
SHEET 1 OF 1		NEXT HIGHER ASSEMBLY:	

TITLE:			
Inverting MUX Logic			
SIZE	CODE	NUMBER	REV
D	C5	M7605 -0 -15	B

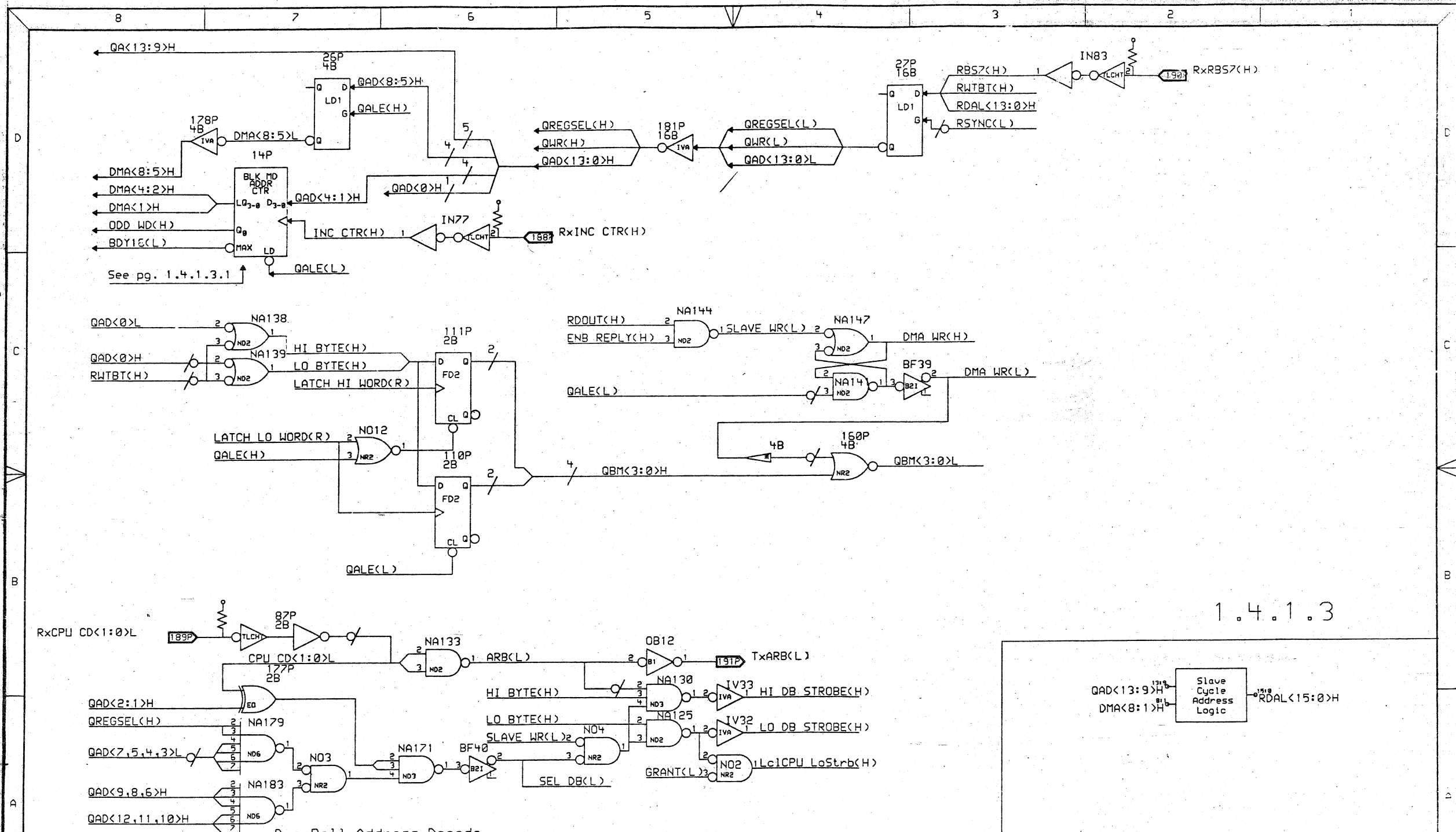




1.4.1.2B



*THIS DRAWING AND SPECIFICATIONS, HEREIN, ARE THE PROPERTY OF DIGITAL EQUIPMENT CORPORATION AND SHALL NOT BE REPRODUCED OR COPIED OR USED IN WHOLE OR IN PART AS THE BASIS FOR THE MANUFACTURE OR SALE OF ITEMS WITHOUT WRITTEN PERMISSION. COPYRIGHT 1984 DIGITAL EQUIPMENT CORPORATION	REVISION HISTORY REV 1 ECO NUMBER DATE B M7505V01 10-1-84	DRAWING TITLE=4MUX ABBREV=4MX LAST*MODIFIED=Wed Oct 10 19:23:47 1984	DEFINE X*FIRST=0 X*STEP=SIZE	digital	DRN: R. McNamara DATE 10-JAN-84	ENG: R. McNamara DATE 10-JAN-84	TITLE: 4 to 1 MUX
	SHEET 1 OF 1 NEXT HIGHER ASSEMBLY:	SIZE CODE D C5	NUMBER M7505-0-16	REV 3			



"THIS DRAWING AND SPECIFICATIONS, HEREIN, ARE THE PROPERTY OF DIGITAL EQUIPMENT CORPORATION AND SHALL NOT BE REPRODUCED OR COPIED OR USED IN WHOLE OR IN PART AS THE BASIS FOR THE MANUFACTURE OR SALE OF ITEMS WITHOUT WRITTEN PERMISSION.

COPYRIGHT 1984 DIGITAL EQUIPMENT CORPORATION

REVISION HISTORY		
REV	ECD NUMBER	DATE
B	M7505-1701	10/10/84

DRAWING

LAST MODIFIED=Wed Oct 10 19:32:56 1984

**digital**

DRN:  
R. McNamara

DATE  
16-NOV-83

ENG:  
R. McNamara

DATE  
16-NOV-83

TITLE:  
Q-bus Support Logic

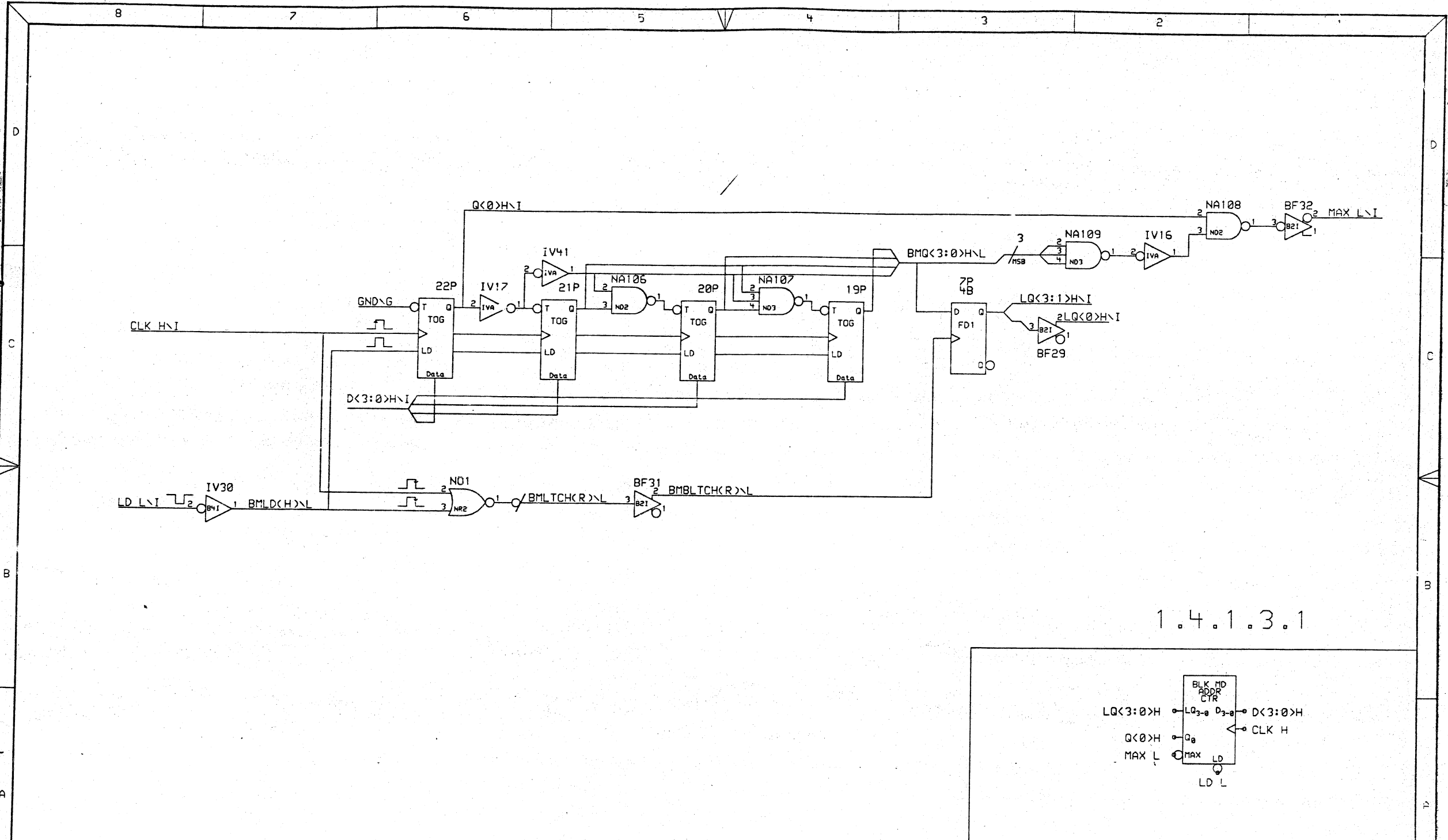
CHK'D:  
R. McNamara

DATE  
16-NOV-83

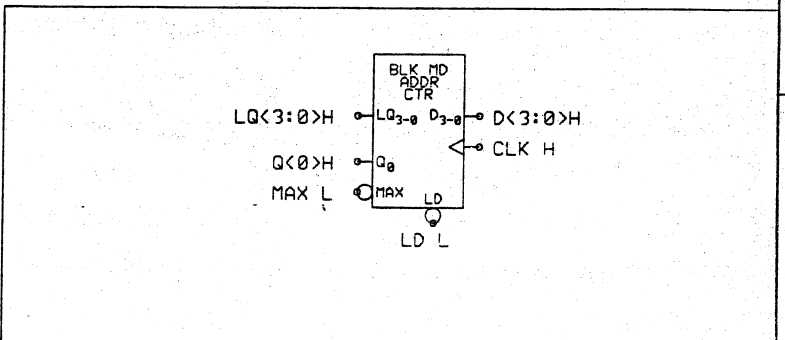
SHEET 1 OF 1

NEXT HIGHER ASSEMBLY:

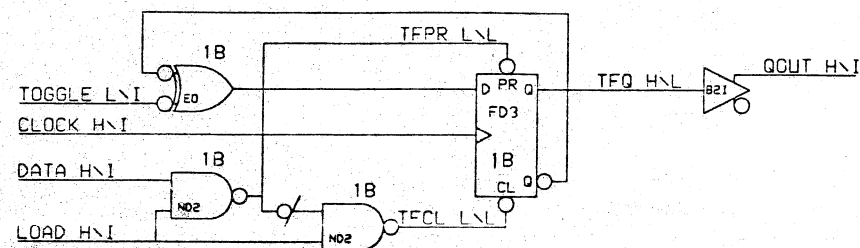
SIZE	CODE	NUMBER	REV
D	CS	M7505-0-17	B



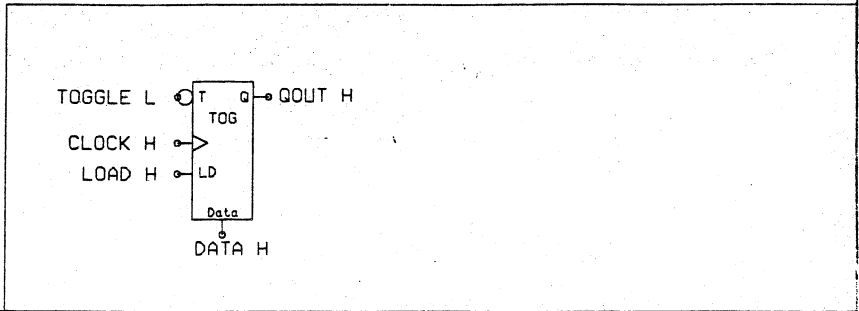
1.4.1.3.1



"THIS DRAWING AND SPECIFICATIONS, HEREIN, ARE THE PROPERTY OF DIGITAL EQUIPMENT CORPORATION AND SHALL NOT BE REPRODUCED OR COPIED OR USED IN WHOLE OR IN PART AS THE BASIS FOR THE MANUFACTURE OR SALE OF ITEMS WITHOUT WRITTEN PERMISSION." COPYRIGHT 1984 DIGITAL EQUIPMENT CORPORATION	REVISION HISTORY REV   ECD NUMBER   DATE A   M7606-0101   6-NOV-83	DRAWING TITLE=BLK MD CTR ABBREV=BMCTR CIRCUIT+TYPE=BLKMDCTR LAST+MODIFIED=Wed Oct 10 19:28:01 1984	DEFINE X*FIRST=0 X*STEP=SIZE	digital	DRN: R. McNamara DATE 6-NOV-83	ENG: R. McNamara DATE 6-NOV-83	TITLE: BLK MD CTR LOGIC
	SHEET 1 OF 1 NEXT HIGHER ASSEMBLY:	SIZE D CODE CS NUMBER M7606-0-18 REV B					



1.4.1.3.1.1



"THIS DRAWING AND SPECIFICATIONS, HEREIN, ARE THE PROPERTY OF DIGITAL EQUIPMENT CORPORATION AND SHALL NOT BE REPRODUCED OR COPIED OR USED IN WHOLE OR IN PART AS THE BASIS FOR THE MANUFACTURE OR SALE OF ITEMS WITHOUT WRITTEN PERMISSION.  
COPYRIGHT 1984 DIGITAL EQUIPMENT CORPORATION

REV	ECG NUMBER	DATE
2	A7326-ML021	11/06/83

DRAWING  
TITLE=TOG  
ABBREV=TOG  
LAST+MODIFIED=Wed Oct 10 19:57:28 1984

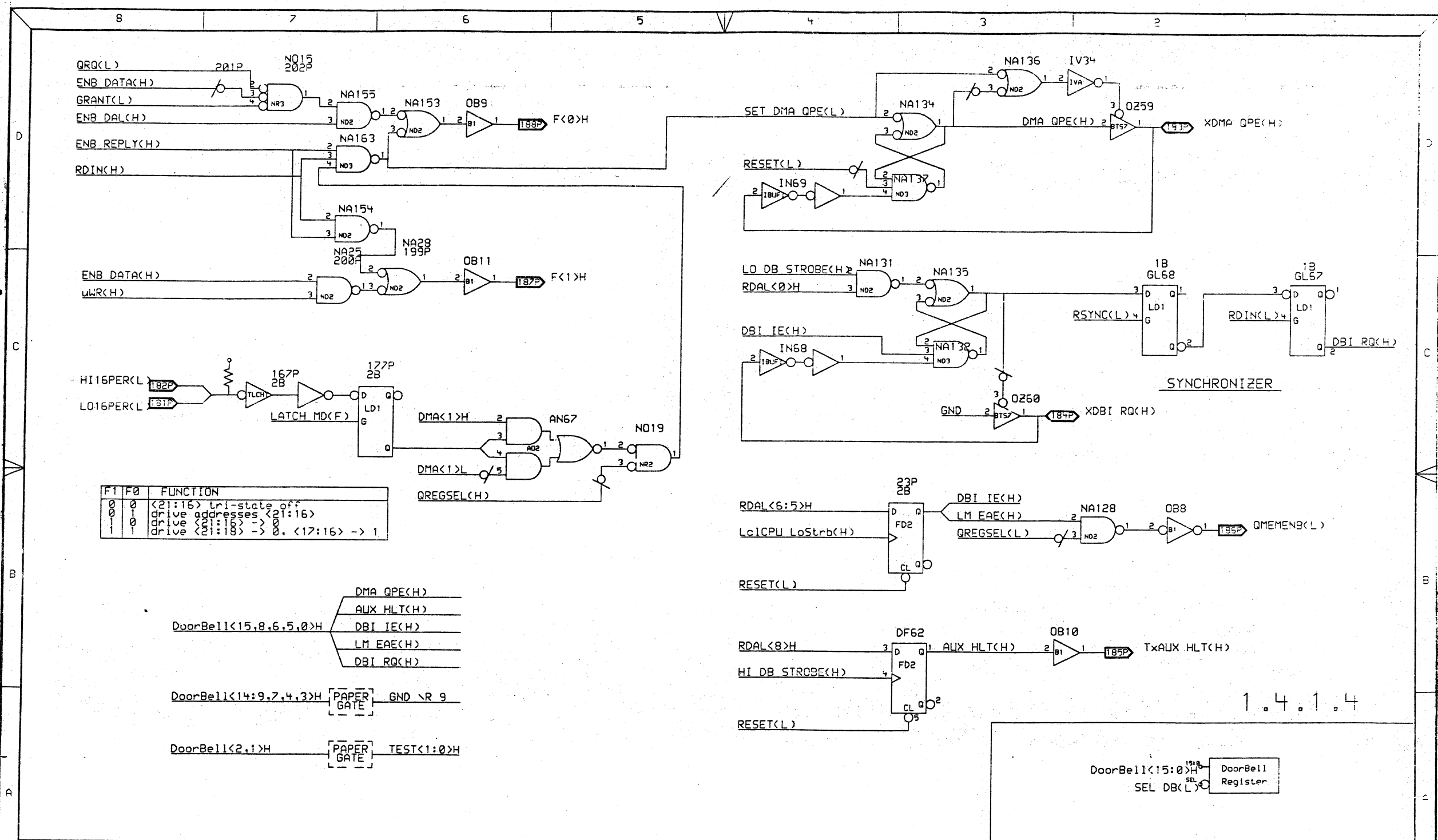
DEFINE  
X+FIRST=0  
X+STEP=SIZE  
digital

DRN:  
R. McNamara  
CHK'D:  
R. McNamara

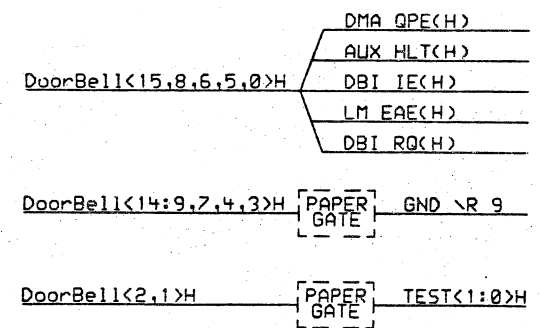
DATE  
6-NOV-83

ENG:  
R. McNamara  
DATE  
6-NOV-83  
SHEET 1 OF 1  
NEXT HIGHER ASSEMBLY:

TITLE:  
TOGGLE FLOP  
SIZE CODE NUMBER REV  
D CS M7625 -2 -19 B



F1	F0	FUNCTION
0	0	<21:16> tri-state off
0	1	drive addresses <21:16>
1	0	drive <21:16> -> 0
1	1	drive <21:18> -> 0, <17:16> -> 1



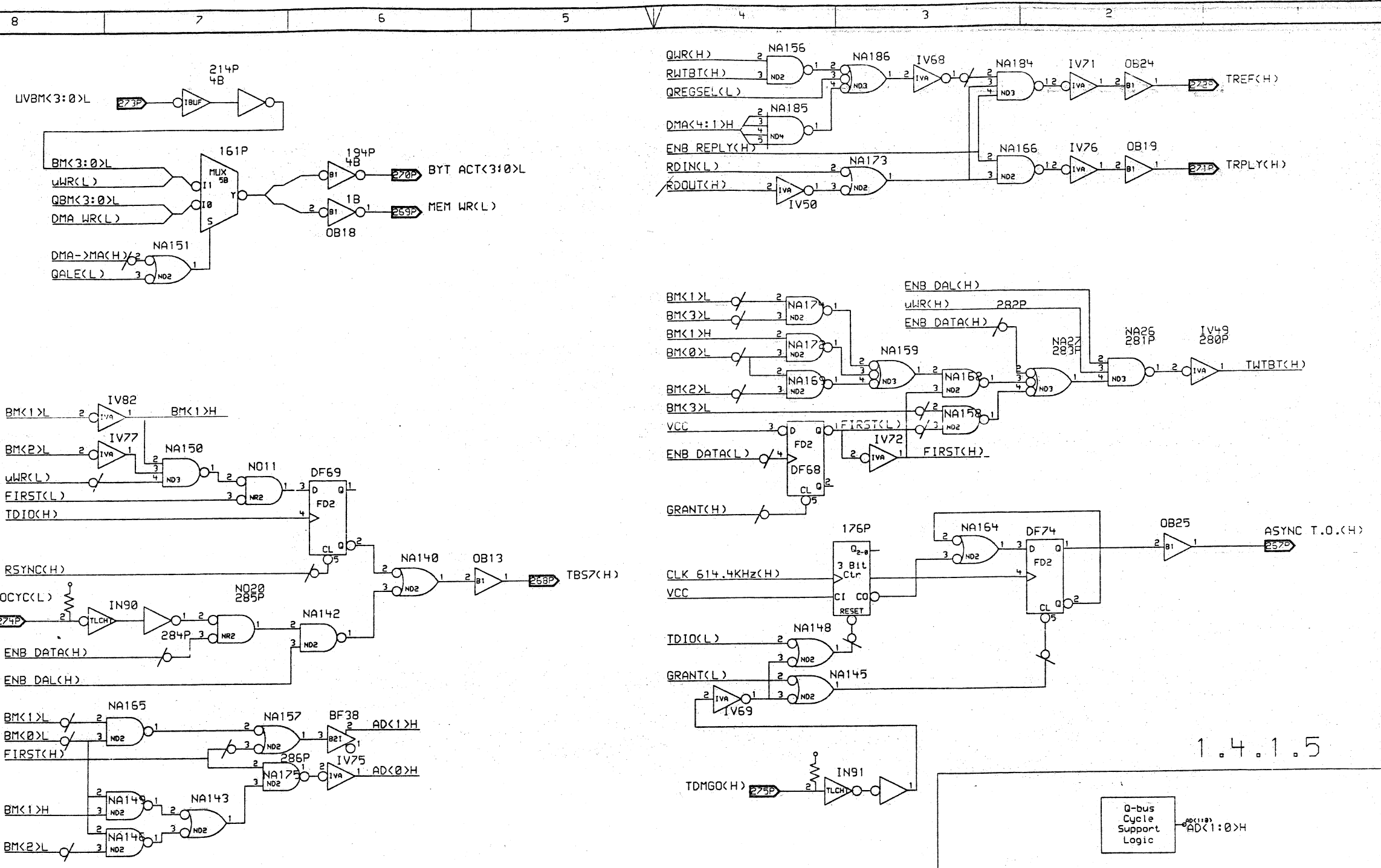
1.4.1.4

"THIS DRAWING AND SPECIFICATIONS, HEREIN, ARE THE PROPERTY OF DIGITAL EQUIPMENT CORPORATION AND SHALL NOT BE REPRODUCED OR COPIED OR USED IN WHOLE OR IN PART AS THE BASIS FOR THE MANUFACTURE OR SALE OF ITEMS WITHOUT WRITTEN PERMISSION.  
 COPYRIGHT 1984 DIGITAL EQUIPMENT CORPORATION

REVISION HISTORY		DRAWING
REV	TEC NUMBER / DATE	
B	10/10/84	LAST*MODIFIED=Wed Oct 10 19:36:34 1984
A	10/10/84	



DRN: R. McNamara	DATE 1-NOV-83	ENG: R. McNamara	DATE 1-NOV-83	TITLE: G-bus Support Logic
CHK'D: R. McNamara	DATE 1-NOV-83	SHEET 1 OF 1	NEXT HIGHER ASSEMBLY:	SIZE CODE NUMBER D 105 17525 -3 -20



1.4.1.5

Q-bus  
Cycle  
Support  
Logic

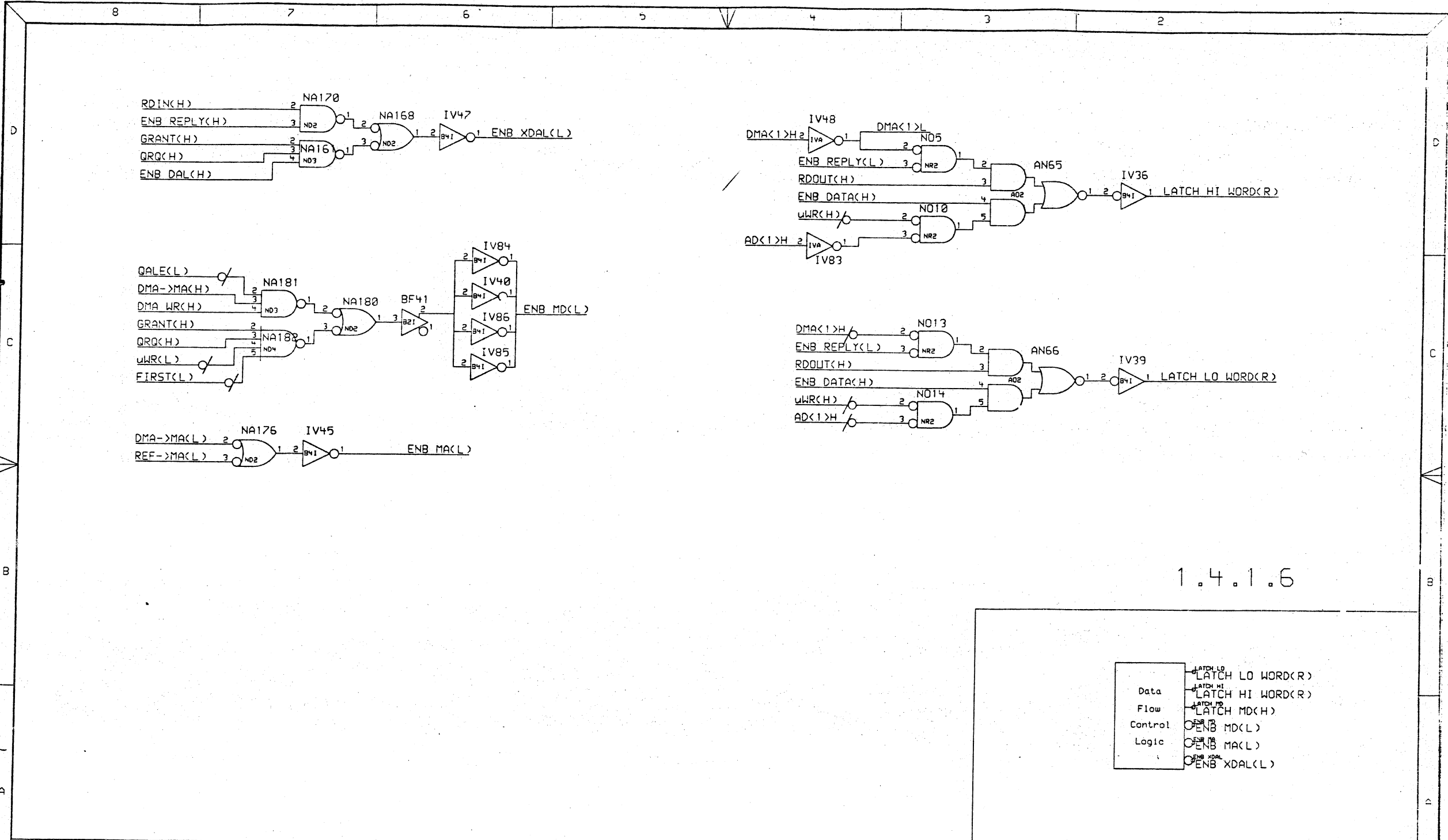
"THIS DRAWING AND SPECIFICATIONS, HEREIN, ARE THE PROPERTY OF DIGITAL EQUIPMENT CORPORATION AND SHALL NOT BE REPRODUCED OR COPIED OR USED IN WHOLE OR IN PART AS THE BASIS FOR THE MANUFACTURE OR SALE OF ITEMS WITHOUT WRITTEN PERMISSION.  
COPYRIGHT 1984 DIGITAL EQUIPMENT CORPORATION

REVISION HISTORY		
REV	ECO NUMBER	DATE
B	M7505-00	21-OCT-83
DRAWING		
LAST MODIFIED=Wed Oct 10 19:53:46 1984		

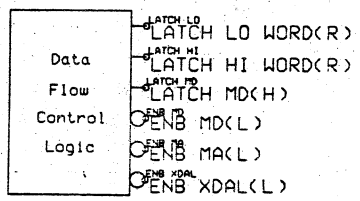
digital

DRN: R. McNamara	DATE 21-OCT-83	ENG: R. McNamara	DATE 21-OCT-83	TITLE: Q-bus Support Logic
CHK'D: R. McNamara	DATE 21-OCT-83	SHEET 1 OF 1	NEXT HIGHER ASSEMBLY:	SIZE CODE D C5

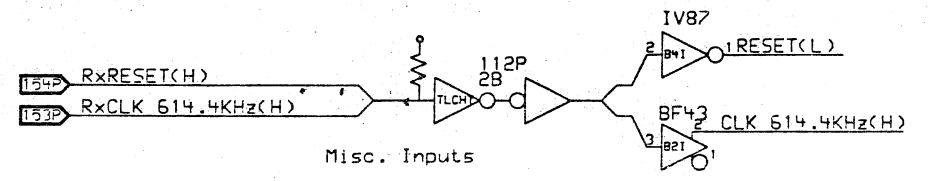
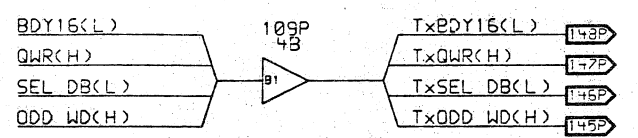
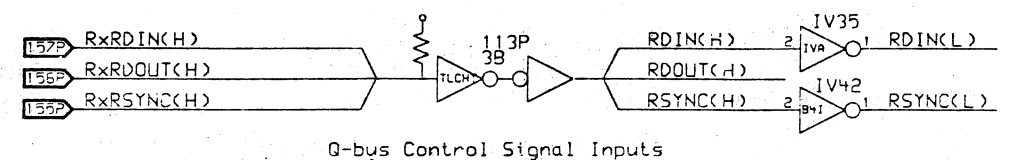
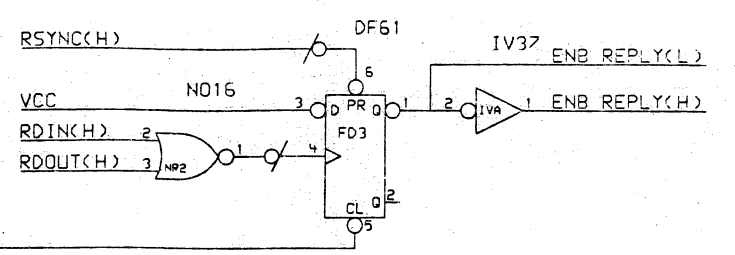
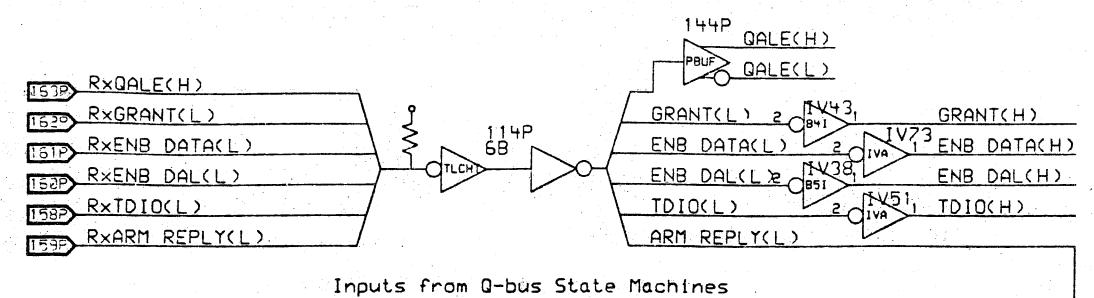
NUMBER M7505-00-21	REV 3
-----------------------	----------



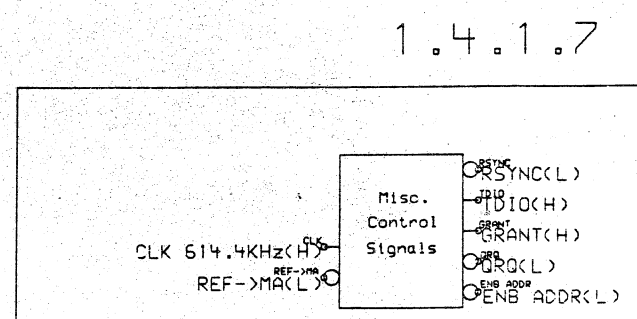
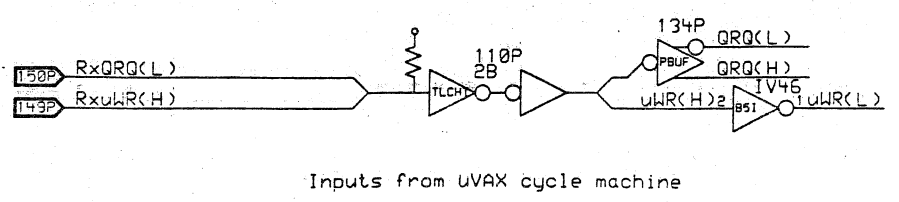
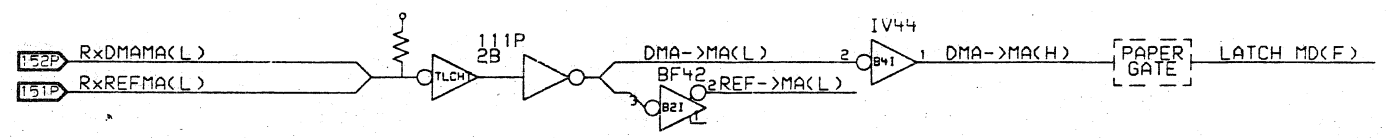
1.4.1.6



THIS DRAWING AND SPECIFICATIONS, HEREIN, ARE THE PROPERTY OF DIGITAL EQUIPMENT CORPORATION AND SHALL NOT BE REPRODUCED OR COPIED OR USED IN WHOLE OR IN PART AS THE BASIS FOR THE MANUFACTURE OR SALE OF ITEMS WITHOUT WRITTEN PERMISSION. COPYRIGHT 1984 DIGITAL EQUIPMENT CORPORATION	REVISION HISTORY REV   ECD NUMBER   DATE B   M7526-2   10/10/84	DRAWING LAST MODIFIED=Wed Oct 10 19:45:31 1984	digital	DRN: R. McNamara	DATE 09-NOV-83	ENG: R. McNamara	DATE 09-NOV-83	TITLE: Q-bus Support Logic
				CHK'D: R. McNamara	DATE 09-NOV-83	SHEET 1 OF 1 NEXT HIGHER ASSEMBLY:	SIZE CODE D CS	NUMBER M7526-2-22



Outputs to Q-bus State Machines



1.4.1.7

THIS DRAWING AND SPECIFICATIONS, HEREIN, ARE THE PROPERTY OF DIGITAL EQUIPMENT CORPORATION AND SHALL NOT BE REPRODUCED OR COPIED OR USED IN WHOLE OR IN PART AS THE BASIS FOR THE MANUFACTURE OR SALE OF ITEMS WITHOUT WRITTEN PERMISSION.

COPYRIGHT 1984 DIGITAL EQUIPMENT CORPORATION

REVISION HISTORY		
REV	ECO NUMBER	DATE
B	M7525-2-23	11-NOV-83

DRAWING

LAST MODIFIED=Wed Oct 10 19:49:41 1984

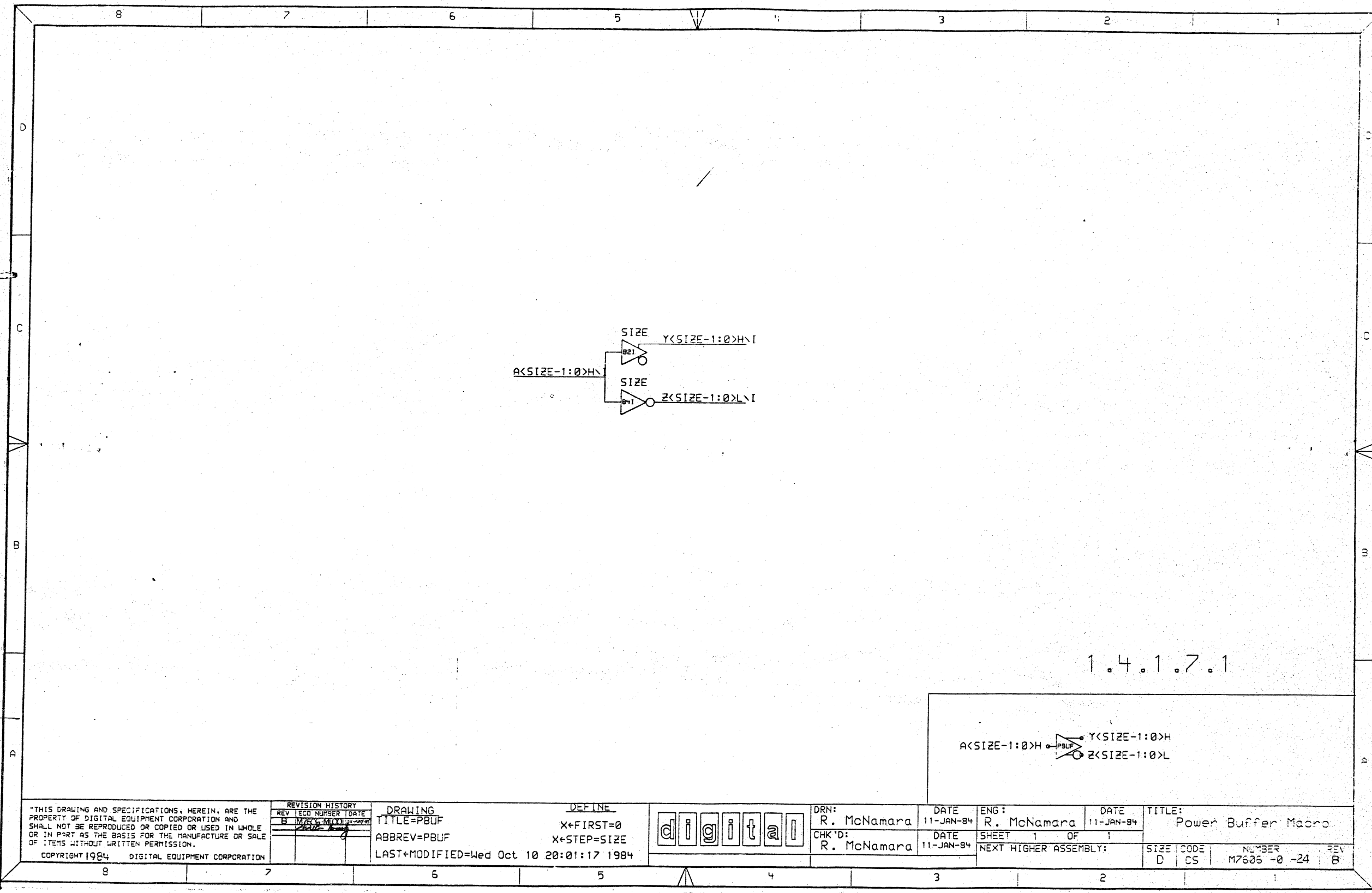
digital

DRN:	R. McNamara	DATE:	11-NOV-83
CHK'D:	R. McNamara	DATE:	11-NOV-83

ENG:	R. McNamara	DATE:	11-NOV-83
SHEET:	1	OF:	1
NEXT HIGHER ASSEMBLY:			

TITLE:	Q-bus Support Logic		
SIZE:	CODE	NUMBER	REV
D	05	M7525-2-23	B





"THIS DRAWING AND SPECIFICATIONS, HEREIN, ARE THE PROPERTY OF DIGITAL EQUIPMENT CORPORATION AND SHALL NOT BE REPRODUCED OR COPIED OR USED IN WHOLE OR IN PART AS THE BASIS FOR THE MANUFACTURE OR SALE OF ITEMS WITHOUT WRITTEN PERMISSION.  
 COPYRIGHT 1984 DIGITAL EQUIPMENT CORPORATION

REVISION HISTORY		
REV	TECH NUMBER	DATE
B	MZC/MOD	12/29/83

DRAWING TITLE=PBUF  
 ABBREV=PBUF  
 LAST\*MODIFIED=Wed Oct 10 20:01:17 1984

DEFINE  
 X\*FIRST=0  
 X\*STEP=SIZE

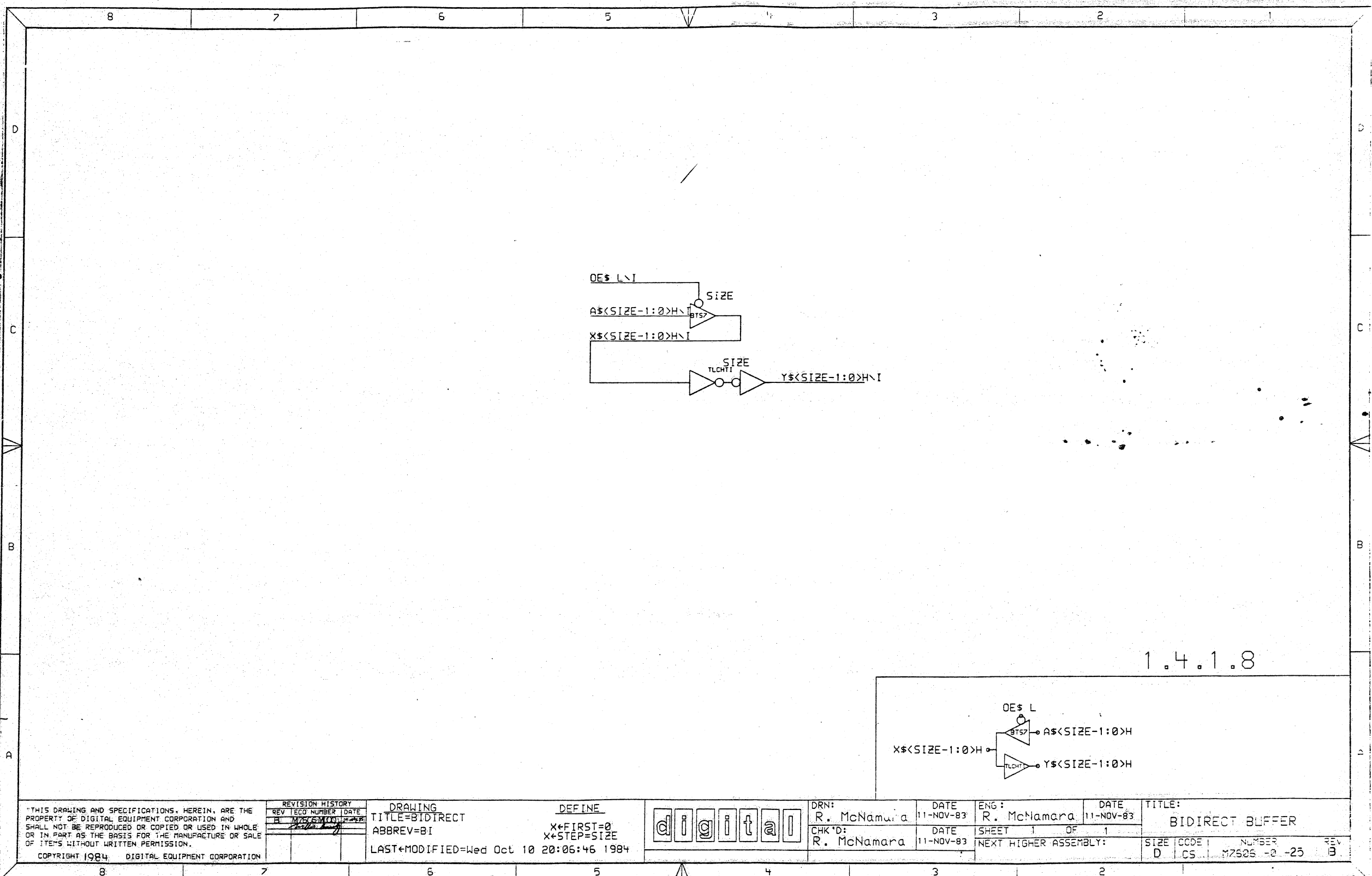


DRN:  
 R. McNamara  
 CHK'D:  
 R. McNamara

DATE  
 11-JAN-84

ENG:  
 R. McNamara  
 SHEET 1 OF 1  
 NEXT HIGHER ASSEMBLY:

DATE  
 11-JAN-84  
 TITLE:  
 Power Buffer Macro  
 SIZE CODE NUMBER REV  
 D CS M7535 -0 -24 B



1.4.1.8

"THIS DRAWING AND SPECIFICATIONS, HEREIN, ARE THE PROPERTY OF DIGITAL EQUIPMENT CORPORATION AND SHALL NOT BE REPRODUCED OR COPIED OR USED IN WHOLE OR IN PART AS THE BASIS FOR THE MANUFACTURE OR SALE OF ITEMS WITHOUT WRITTEN PERMISSION.  
COPYRIGHT 1984 DIGITAL EQUIPMENT CORPORATION

REVISION HISTORY		
REV	ECO NUMBER	DATE
1	M7650001	11-NOV-83
2		

DRAWING  
TITLE=BIDIRECT  
ABBREV=BI  
LAST\*MODIFIED=Wed Oct 10 20:06:46 1984

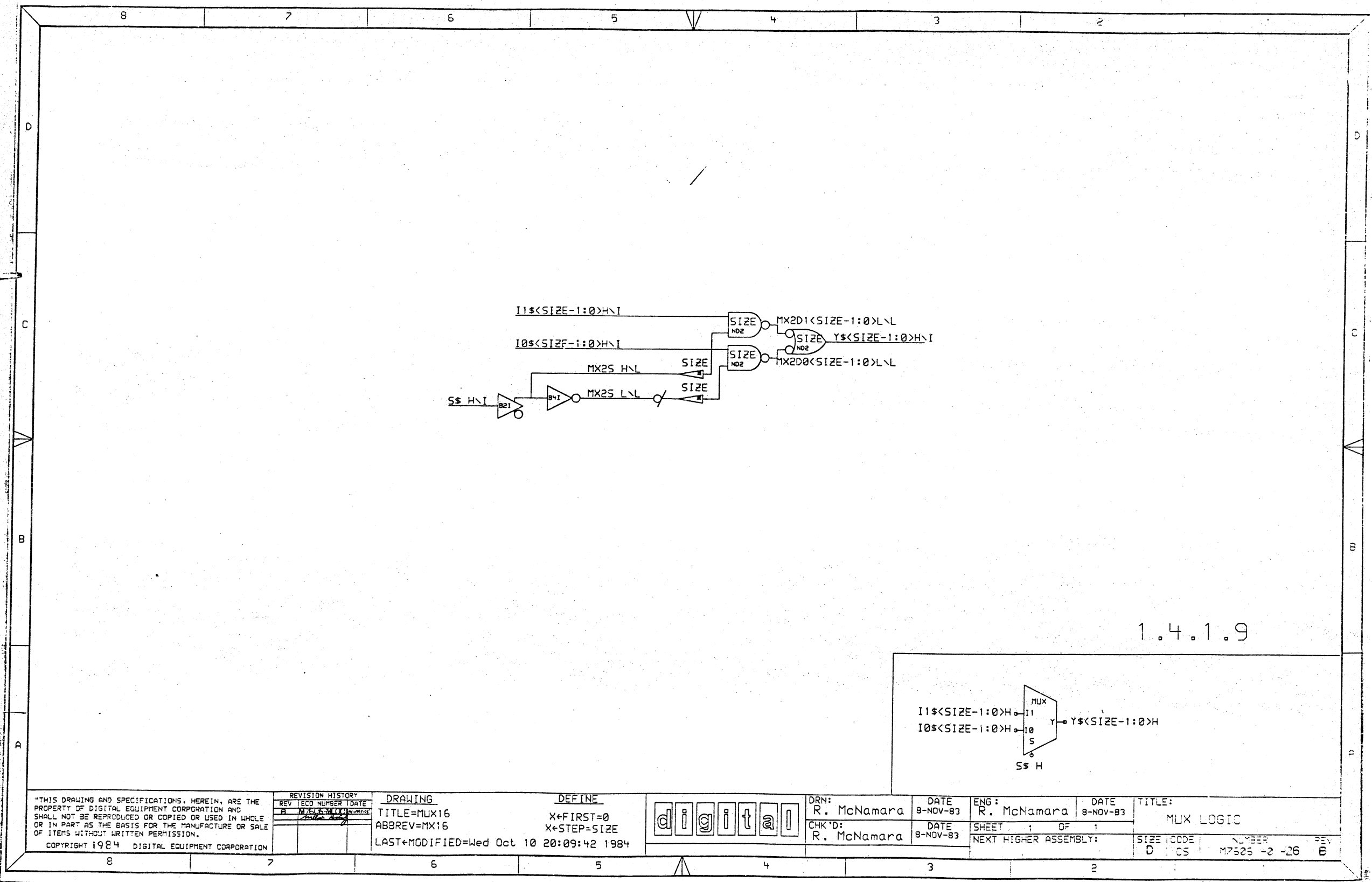
DEFINE  
X\*FIRST=0  
X\*STEP=SIZE  
digital

DRN:  
R. McNamara  
CHK'D:  
R. McNamara

DATE	ENG:	DATE
11-NOV-83	R. McNamara	11-NOV-83
DATE	SHEET	OF
11-NOV-83	1	1

NEXT HIGHER ASSEMBLY:

TITLE:  
BIDIRECT BUFFER  
SIZE CODE NUMBER REV  
D CS 1 M76500 -2 -25 B



\*THIS DRAWING AND SPECIFICATIONS, HEREIN, ARE THE PROPERTY OF DIGITAL EQUIPMENT CORPORATION AND SHALL NOT BE REPRODUCED OR COPIED OR USED IN WHOLE OR IN PART AS THE BASIS FOR THE MANUFACTURE OR SALE OF ITEMS WITHOUT WRITTEN PERMISSION.  
 COPYRIGHT 1984 DIGITAL EQUIPMENT CORPORATION

REVISION HISTORY		
REV	ECO NUMBER	DATE
A	M.S.K.M.C.C.	8-11-83

**DRAWING**  
 TITLE=MUX16  
 ABBREV=MX16  
 LAST+MODIFIED=Wed Oct 10 20:09:42 1984

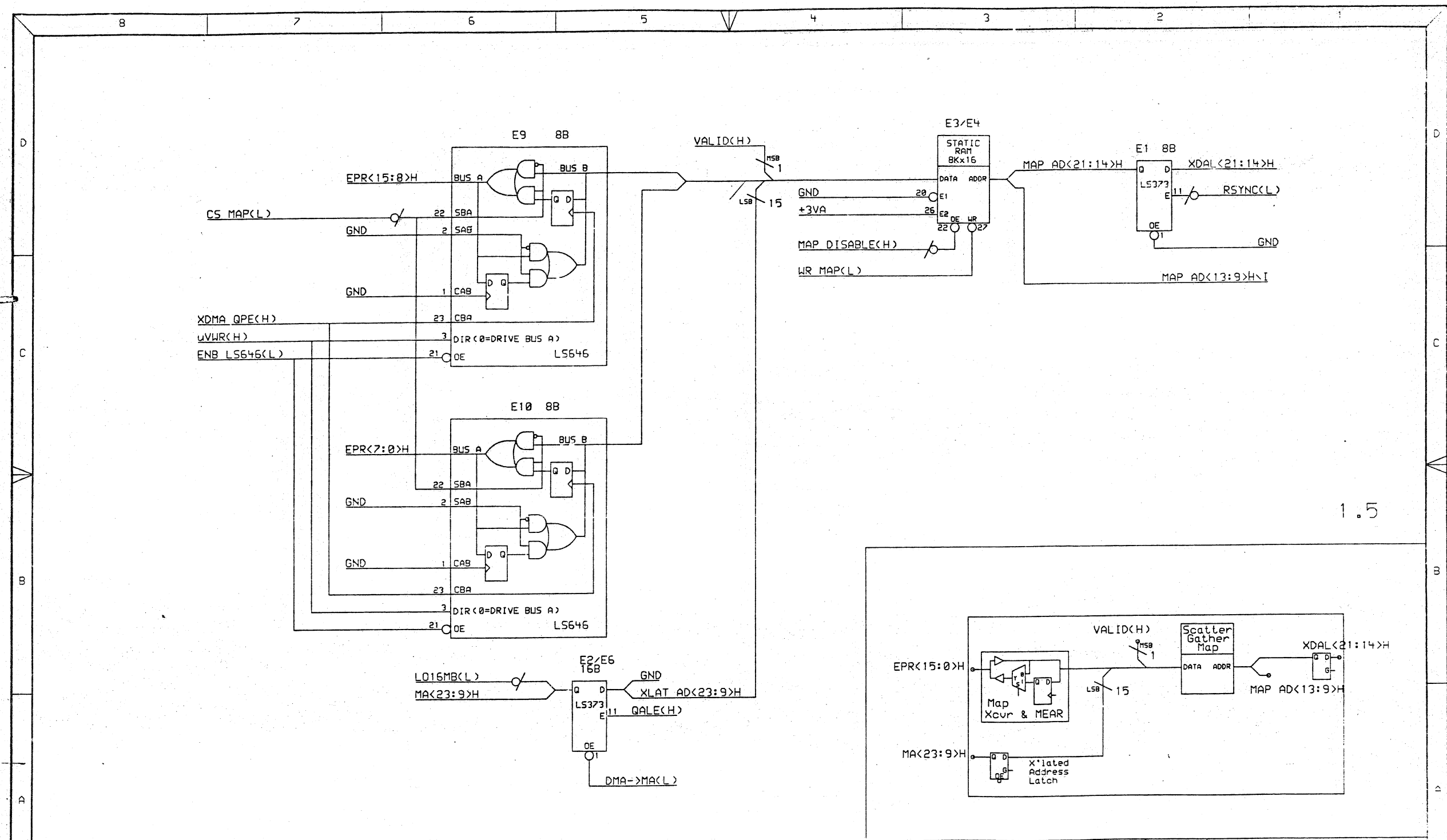
**DEFINE**  
 X+FIRST=0  
 X+STEP=SIZE



DRN:  
 R. McNamara  
 CHK'D:  
 R. McNamara

DATE  
 8-NOV-83  
 ENG:  
 R. McNamara  
 SHEET 1 OF 1  
 NEXT HIGHER ASSEMBLY:

DATE  
 8-NOV-83  
 TITLE:  
 MUX LOGIC  
 SIZE CODE  
 D CS  
 NUMBER  
 M7525 -2 -26  
 REV  
 B



1.5

"THIS DRAWING AND SPECIFICATIONS, HEREIN, ARE THE PROPERTY OF DIGITAL EQUIPMENT CORPORATION AND SHALL NOT BE REPRODUCED OR COPIED OR USED IN WHOLE OR IN PART AS THE BASIS FOR THE MANUFACTURE OR SALE OF ITEMS WITHOUT WRITTEN PERMISSION.  
COPYRIGHT 1984 DIGITAL EQUIPMENT CORPORATION

REVISION HISTORY		
REV	TECO NUMBER	DATE
1	MTC	10/7/84

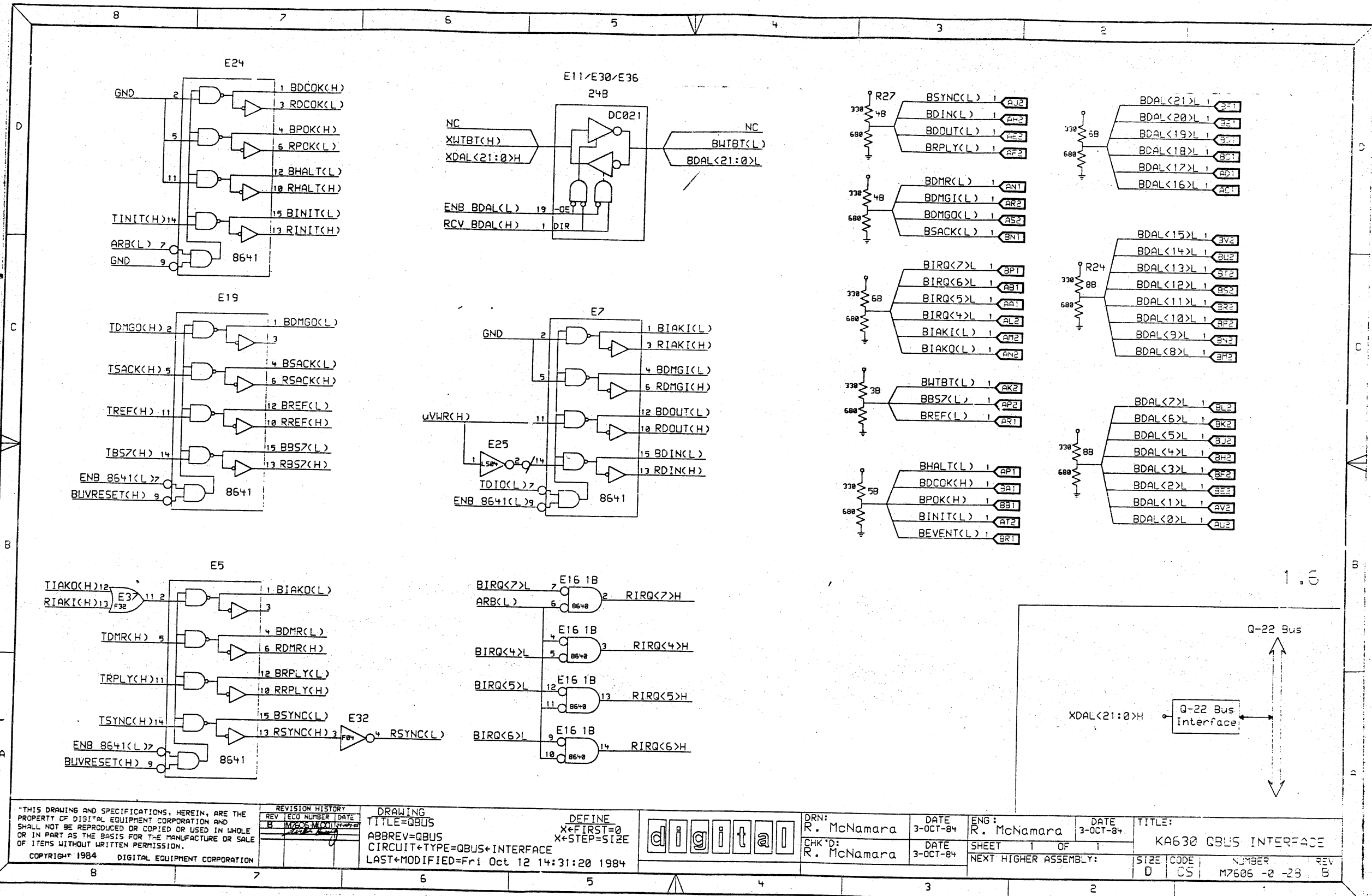
**DRAWING**  
TITLE=MAP GROUP  
ABBREV=MAP  
CIRCUIT+TYPE=TRANS+MAP  
LAST+MODIFIED=Sun Oct 7 18:33:49 1984

**DEFINE**  
X+FIRST=0  
X+STEP=SIZE  
**digital**

DRN: R. McNamara	DATE 3-OCT-84	ENG: R. McNamara	DATE 3-OCT-84	TITLE: Translation Map Group
CHK'D: R. McNamara	DATE 3-OCT-84	SHEET 1 OF	NEXT HIGHER ASSEMBLY:	SIZE D

CODE CS	NUMBER M7605-0-27	REV 3
------------	----------------------	----------

8 7 6 5 4 3 2 1



THIS DRAWING AND SPECIFICATIONS, HEREIN, ARE THE PROPERTY OF DIGITAL EQUIPMENT CORPORATION AND SHALL NOT BE REPRODUCED OR COPIED OR USED IN WHOLE OR IN PART AS THE BASIS FOR THE MANUFACTURE OR SALE OF ITEMS WITHOUT WRITTEN PERMISSION.  
 COPYRIGHT 1984 DIGITAL EQUIPMENT CORPORATION

REVISION HISTORY	
REV	TECH NUMBER DATE
B	MCM/CMC/10/11/84

DRAWING TITLE=QBUS  
 ABBREV=QBUS  
 CIRCUIT+TYPE=QBUS+INTERFACE  
 LAST+MODIFIED=Fri Oct 12 14:31:20 1984

DEFINE  
 X\*FIRST=0  
 X\*STEP=SIZE

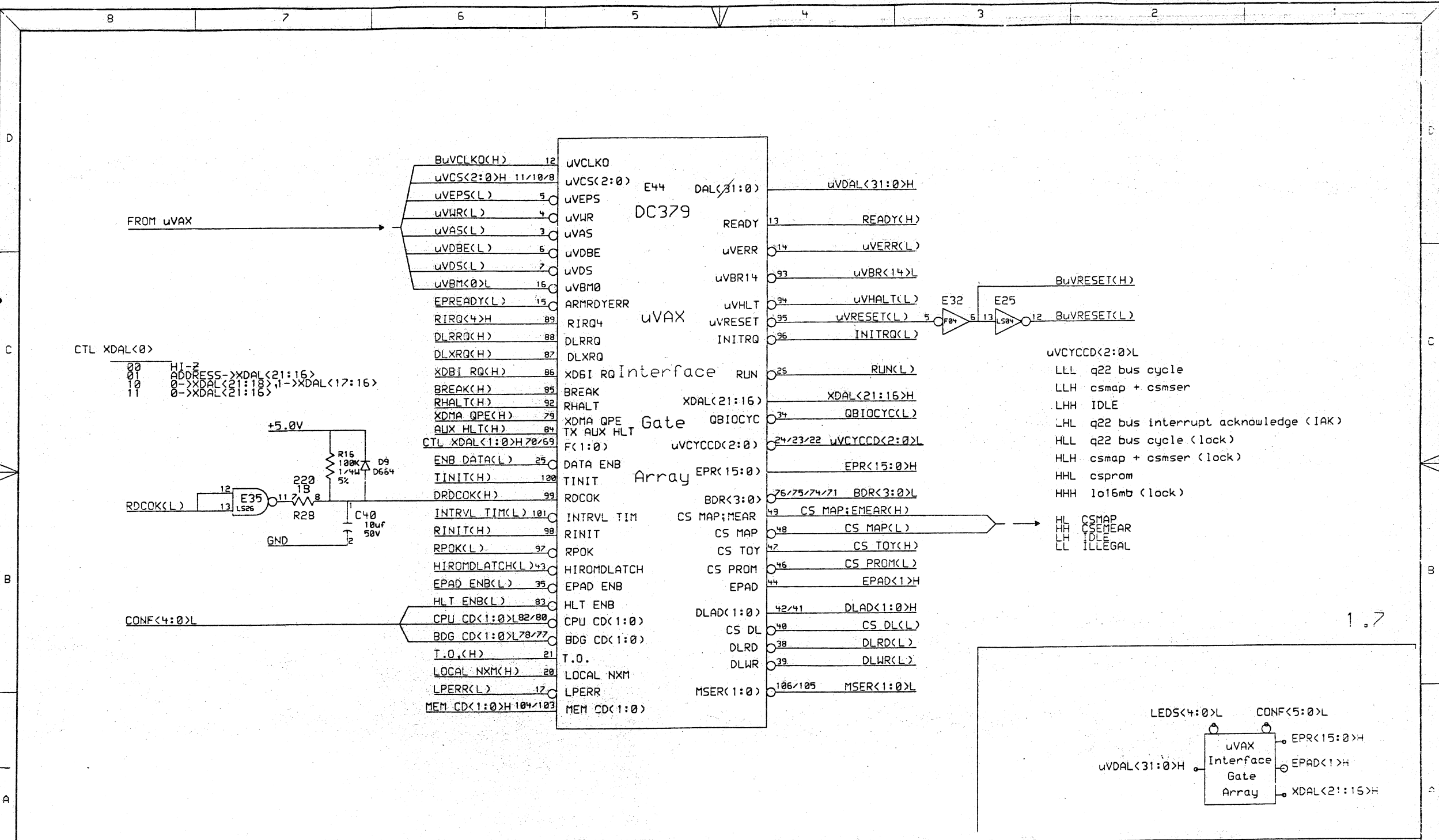


DRN: R. McNamara  
 DATE: 3-OCT-84  
 CHK'D: R. McNamara  
 DATE: 3-OCT-84

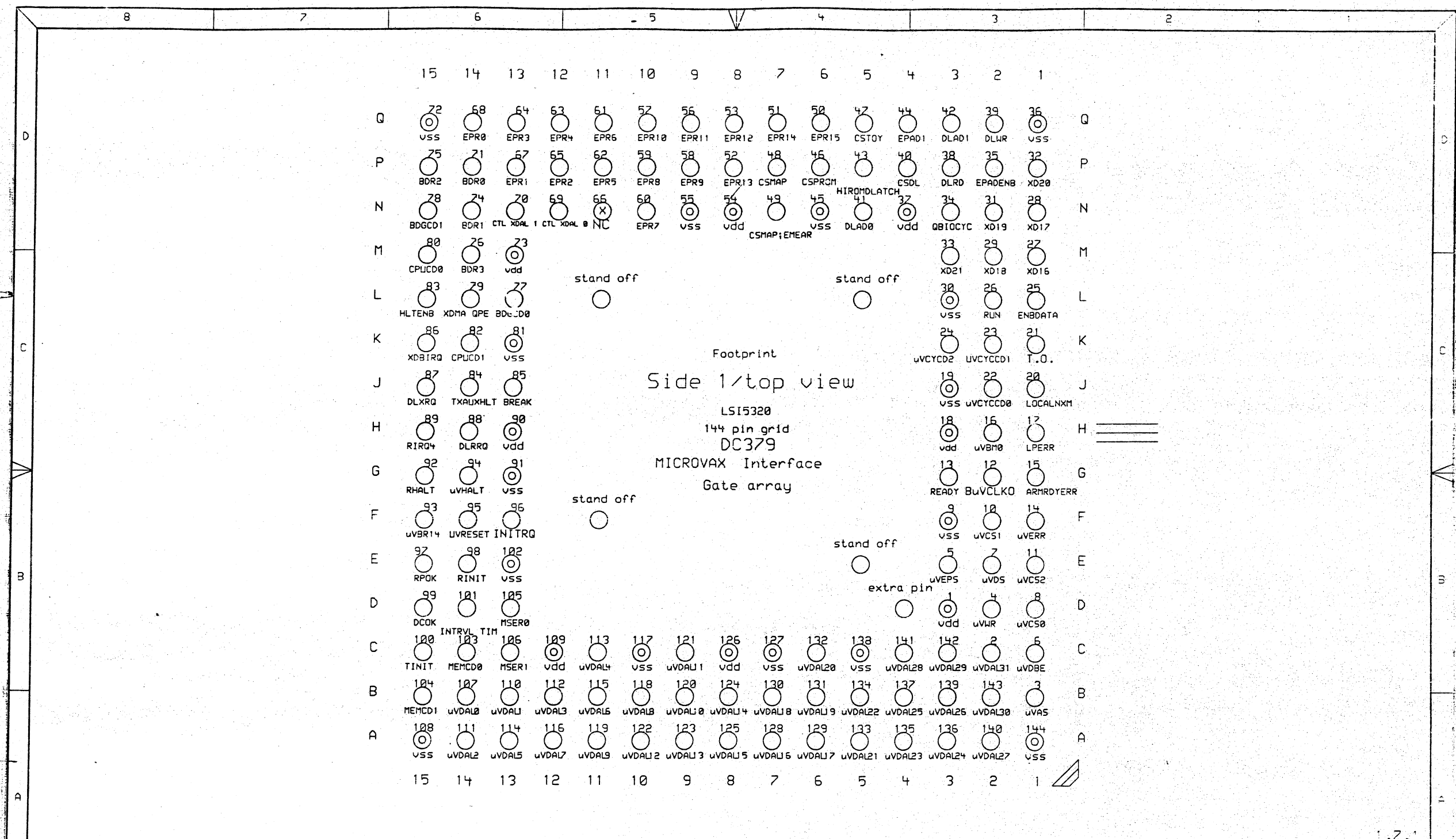
ENG: R. McNamara  
 DATE: 3-OCT-84  
 SHEET 1 OF 1  
 NEXT HIGHER ASSEMBLY:

TITLE: KA630 QBUS INTERFACE			
SIZE	CODE	NUMBER	REV
0	05	M7606 -0 -23	B

1.5



*THIS DRAWING AND SPECIFICATIONS, HEREIN, ARE THE PROPERTY OF DIGITAL EQUIPMENT CORPORATION AND SHALL NOT BE REPRODUCED OR COPIED OR USED IN WHOLE OR IN PART AS THE BASIS FOR THE MANUFACTURE OR SALE OF ITEMS WITHOUT WRITTEN PERMISSION. COPYRIGHT 1984 DIGITAL EQUIPMENT CORPORATION		REVISION HISTORY REV 1 ECO NUMBER DATE 1A 11/23/84 BARRY MASKAS	DRAWING TITLE=GATOR1 ABBREV=GATOR1 CIRCUIT+TYPE=GATE+ARRAY LAST+MODIFIED=Mon Oct 29 09:35:21 1984	DEFINE X+FIRST=0 X+STEP=SIZE	digital	DRN: BARRY MASKAS CHK'D: BARRY MASKAS	DATE 3-OCT-84 DATE 3-OCT-84	ENG: BARRY MASKAS SHEET 1 OF 1 NEXT HIGHER ASSEMBLY:	DATE 3-OCT-84 TITLE: uVAX Interface Gate Array	SIZE D CODE CS NUMBER M7505 -0 -29 REV 3
---	--	---	---	------------------------------------	---------	--	--------------------------------------	---	---	---

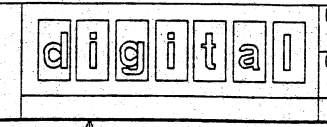


"THIS DRAWING AND SPECIFICATIONS, HEREIN, ARE THE PROPERTY OF DIGITAL EQUIPMENT CORPORATION AND SHALL NOT BE REPRODUCED OR COPIED OR USED IN WHOLE OR IN PART AS THE BASIS FOR THE MANUFACTURE OR SALE OF ITEMS WITHOUT WRITTEN PERMISSION.  
 COPYRIGHT 1984 DIGITAL EQUIPMENT CORPORATION

REVISION HISTORY	
REV	ECO NUMBER / DATE
1	M7635-001 / 11-11-83
2	11-11-83

**DRAWING**  
 TITLE=galpads  
 LAST\*MODIFIED=Mon Oct 29 11:47:47 1984

**DEFINE**  
 X\*FIRST=0  
 X\*STEP=SIZE

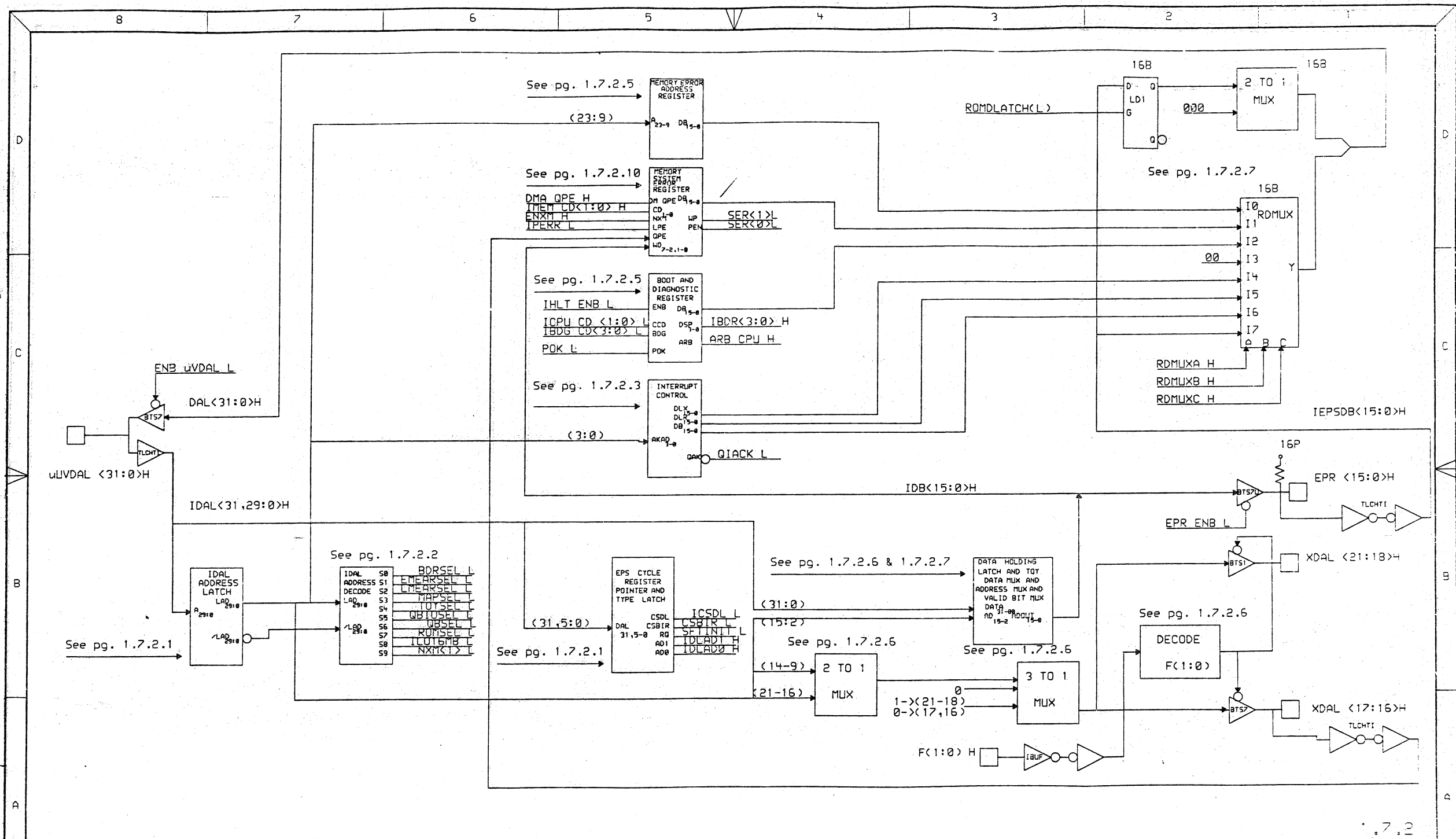


DRN: BARRY MASKAS  
 CHK'D: BARRY MASKAS

DATE: 15-DEC-83  
 SHEET 1 OF 1  
 NEXT HIGHER ASSEMBLY:

TITLE: DC379 PAD ASSIGNMENT TOP VIEW  
 LL5320 IN 144 PIN GRID ARRAY

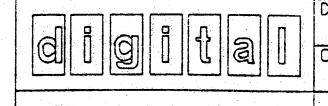
SIZE	CODE	NUMBER	REV
D	CS	M7635-00-30	B



"THIS DRAWING AND SPECIFICATIONS, HEREIN, ARE THE PROPERTY OF DIGITAL EQUIPMENT CORPORATION AND SHALL NOT BE REPRODUCED OR COPIED OR USED IN WHOLE OR IN PART AS THE BASIS FOR THE MANUFACTURE OR SALE OF ITEMS WITHOUT WRITTEN PERMISSION.  
 COPYRIGHT 1984 DIGITAL EQUIPMENT CORPORATION

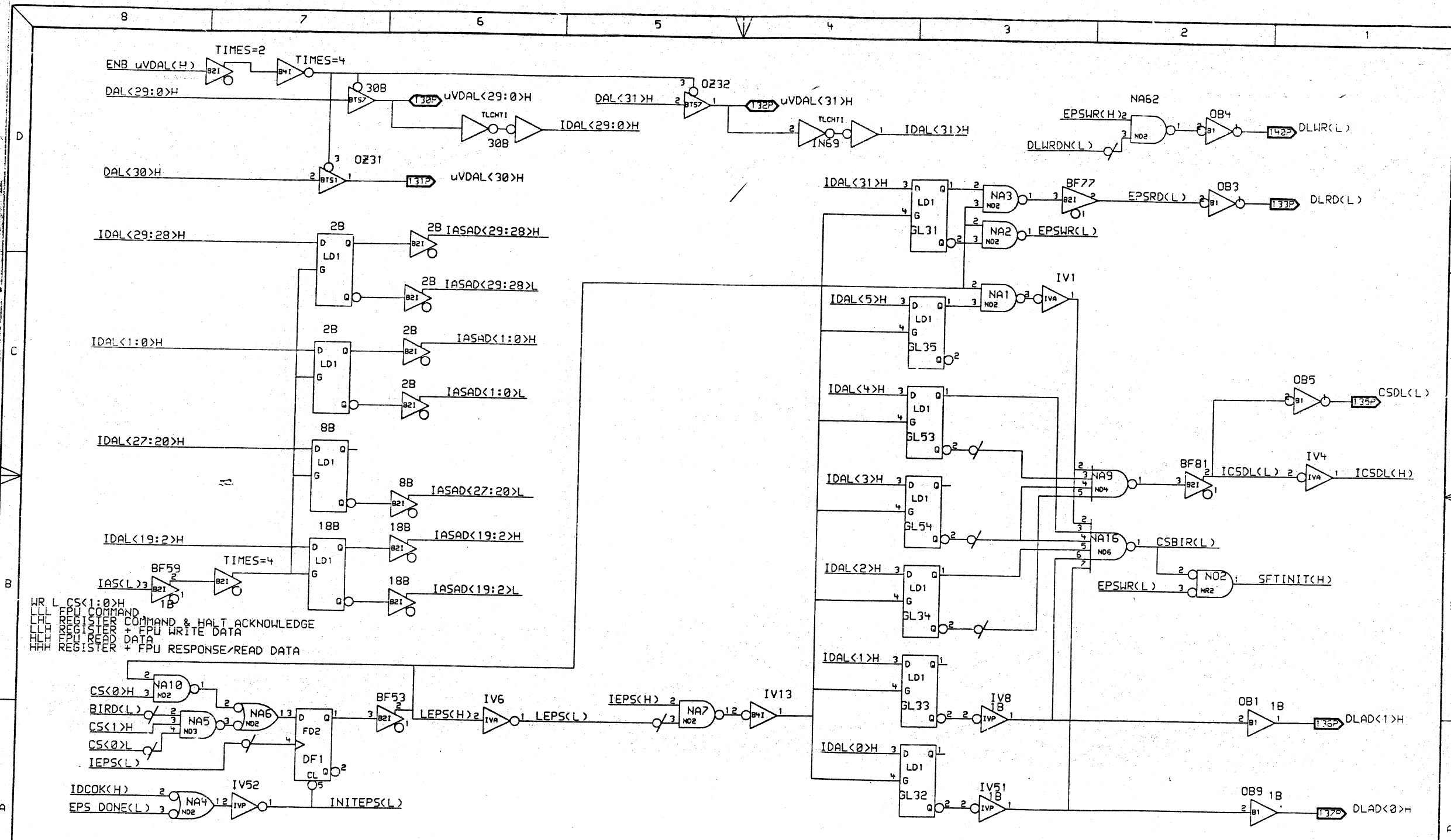
REVISION HISTORY		
REV	DESC	DATE
1	M7505-001	12/15/83

**DRAWING**  
 TITLE=GA1BLOCK  
 ABBREV=GA1BLOCK  
 CIRCUIT+TYPE=GATE+ARRAY  
 LAST+MODIFIED=Sun Oct 7 20:17:53 1984



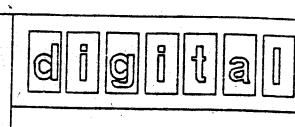
DRN: BARRY MASKAS	DATE 15-DEC-83	ENG: BARRY MASKAS	DATE 15-DEC-83	TITLE: uVAX Interface Gate Array Data Path
CHK'D: BARRY MASKAS	DATE 15-DEC-83	SHEET 1 OF 1		SIZE D CS
NEXT HIGHER ASSEMBLY:			NUMBER M7505-2-7	REV. 3





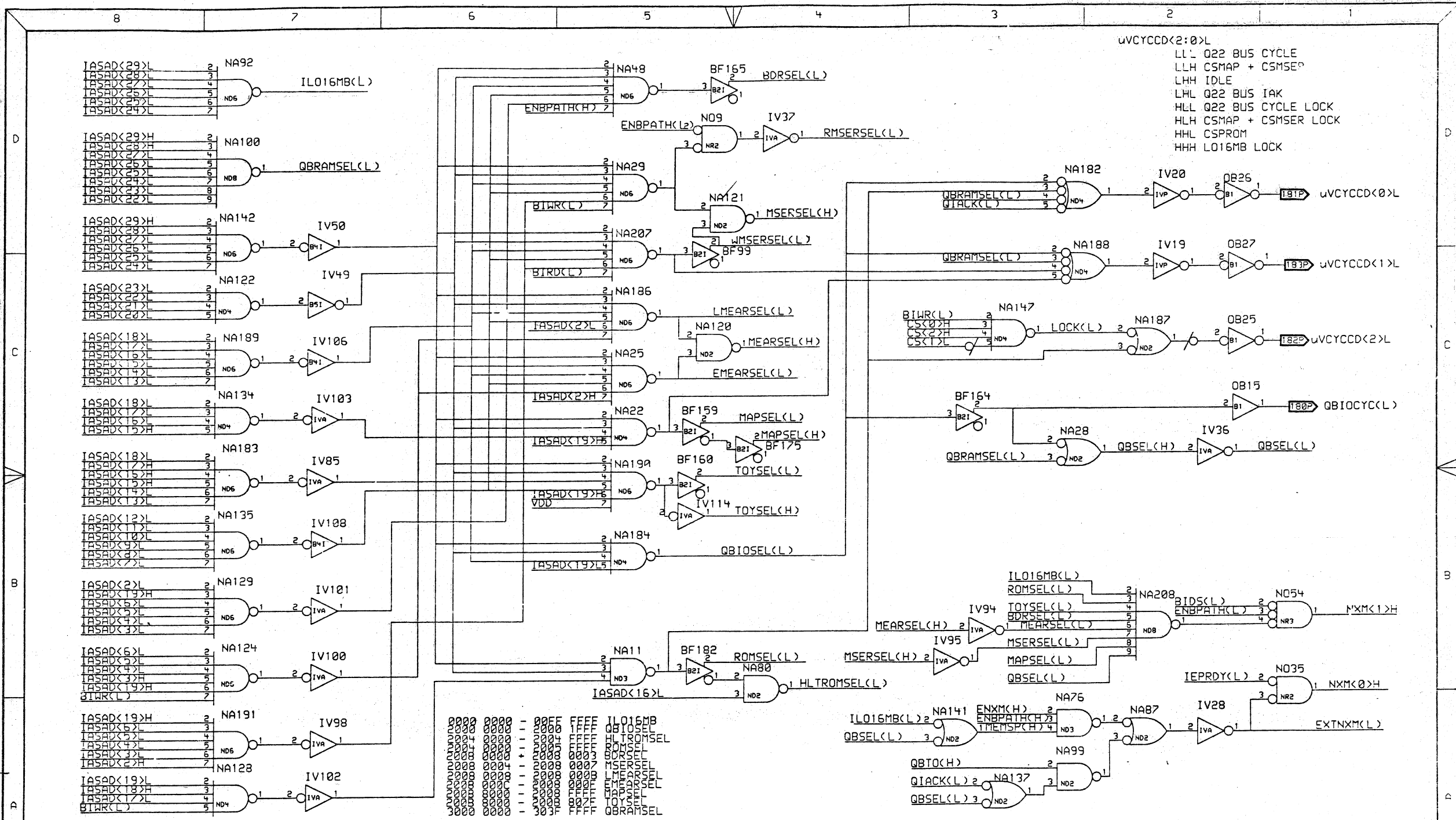
"THIS DRAWING AND SPECIFICATIONS, HEREIN, ARE THE PROPERTY OF DIGITAL EQUIPMENT CORPORATION AND SHALL NOT BE REPRODUCED OR COPIED OR USED IN WHOLE OR IN PART AS THE BASIS FOR THE MANUFACTURE OR SALE OF ITEMS WITHOUT WRITTEN PERMISSION.  
 COPYRIGHT 1984 DIGITAL EQUIPMENT CORPORATION

REVISION HISTORY		DRAWING	
REV	TECD NUMBER	DATE	DATE
1			
TITLE=GA1		X+FIRST=0	
ABBREV=GA1		X+STEP=SIZE	
CIRCUIT+TYPE=GATE+ARRAY		LAST+MODIFIED=Sun Oct 7 20:20:28 1984	



DRN:	DATE	ENG:	DATE	TITLE:
BARRY MASKAS	19-DEC-83	BARRY MASKAS	19-DEC-83	UVDAL I/O BUFFERS, ADDR LATCHES
CHK'D:	DATE	SHEET 1 OF 1		SIZE CODE
BARRY MASKAS	19-DEC-83	NEXT HIGHER ASSEMBLY:		D CS
				NUMBER
				M7605 -0 -32
				REV
				H

1.7.2.1

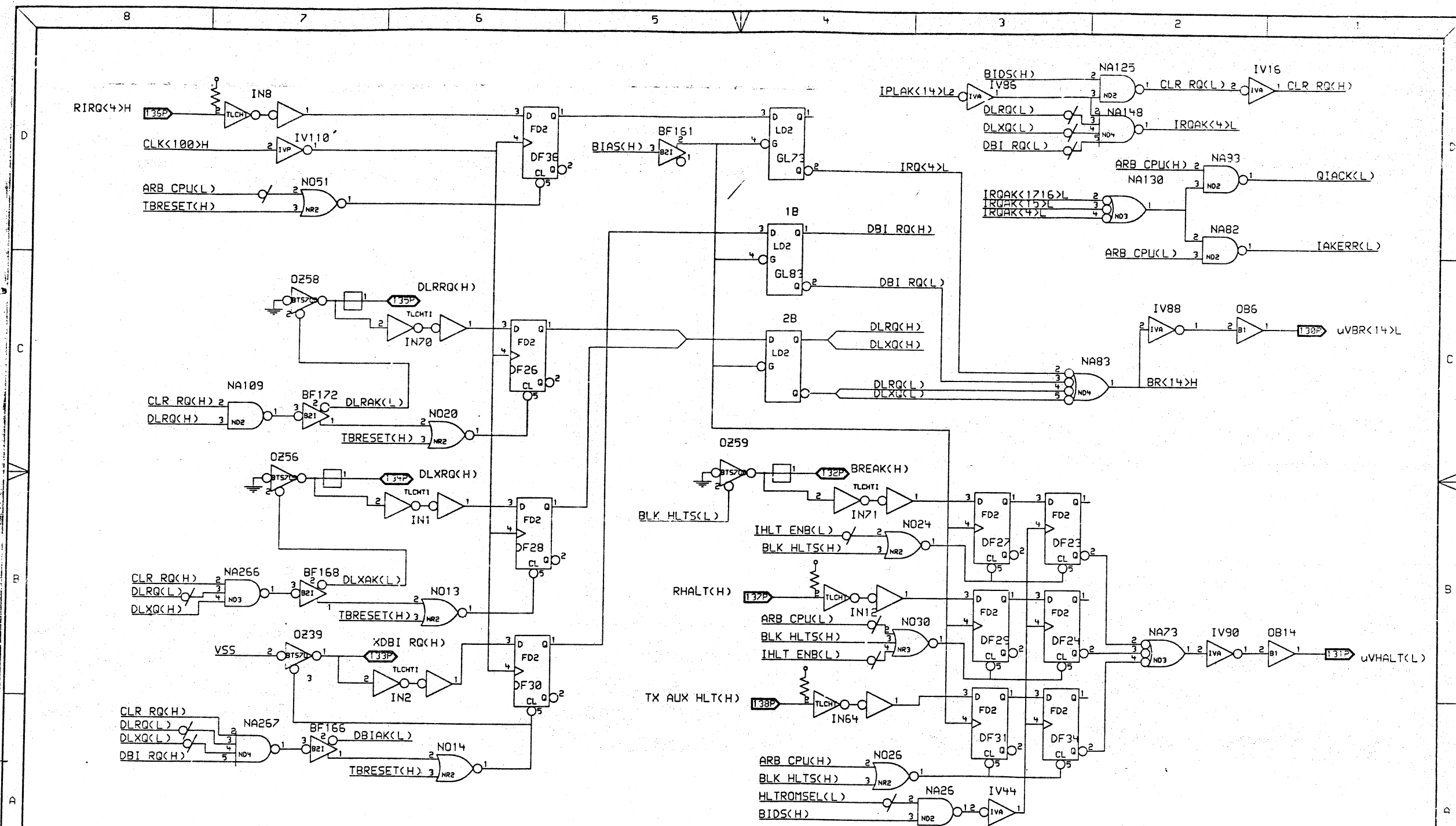


WVCYCCD<2:0>L  
 LL Q22 BUS CYCLE  
 LLH CSMAP + CSMSE<sup>0</sup>  
 LHH IDLE  
 LHL Q22 BUS IAK  
 HLL Q22 BUS CYCLE LOCK  
 HLH CSMAP + CSMSE LOCK  
 HHL CSPROM  
 HHH LO16MB LOCK

0000	0000	-	00FF	FFFF	ILO16MB
0000	0000	-	2000	FFFF	QBIOSEL
0000	0000	-	2004	FFFF	HLTROMSEL
0000	0000	-	2005	FFFF	ROMSEL
0000	0000	+	0003	0000	BDRSEL
0000	0004	-	2008	0007	MSERSEL
0000	0008	-	2008	0000	LMEARSEL
0000	000C	-	2008	0000	EMEARSEL
0000	0010	-	2008	0000	MAPSEL
0000	0014	-	2008	0000	TOYSEL
0000	0018	-	2008	0000	QBIOSEL
0000	001C	-	2008	0000	QBSEL
3000	0000	-	303F	FFFF	QBRAMSEL

1.7.2.2

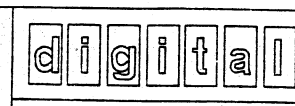
"THIS DRAWING AND SPECIFICATIONS, HEREIN, ARE THE PROPERTY OF DIGITAL EQUIPMENT CORPORATION AND SHALL NOT BE REPRODUCED OR COPIED OR USED IN WHOLE OR IN PART AS THE BASIS FOR THE MANUFACTURE OR SALE OF ITEMS WITHOUT WRITTEN PERMISSION." COPYRIGHT 1984 DIGITAL EQUIPMENT CORPORATION	REVISION HISTORY REV ECD NUMBER DATE B 1 1984-11-01	DRAWING TITLE=GA1 ABBREV=GA1 CIRCUIT<TYPE=GATE<ARRAY LAST<MODIFIED=Sun Oct 7 16:34:28 1984		DRN: BARRY MASKAS CHK'D: BARRY MASKAS	DATE 19-DEC-83	ENG: BARRY MASKAS SHEET 1 OF 1 NEXT HIGHER ASSEMBLY:	DATE 19-DEC-83	TITLE: ADDRESS DECODER	SIZE D C5	NUMBER M7505 -0 -33	REV 1
--	---	--	--	--	-------------------	---	-------------------	---------------------------	--------------	------------------------	----------



1.7.2.3

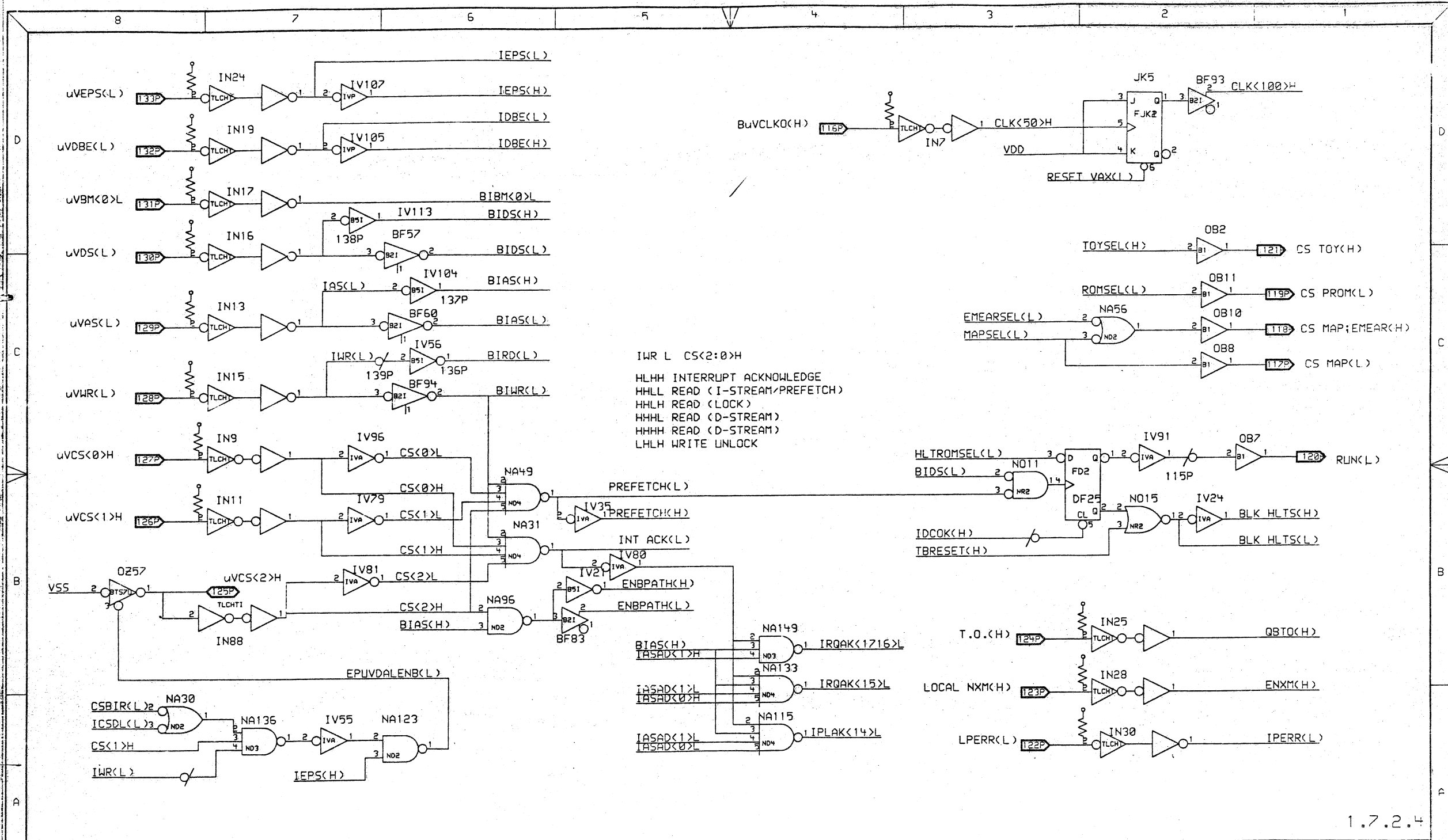
THIS DRAWING AND SPECIFICATIONS, HEREIN, ARE THE PROPERTY OF DIGITAL EQUIPMENT CORPORATION AND SHALL NOT BE REPRODUCED OR COPIED OR USED IN WHOLE OR IN PART AS THE BASIS FOR THE MANUFACTURE OR SALE OF ITEMS WITHOUT WRITTEN PERMISSION.  
 COPYRIGHT 1984 DIGITAL EQUIPMENT CORPORATION

REVISION HISTORY		DRAWING
REV	ECO NUMBER	DATE
1	1718-AL	11/27/83
TITLE=GA1		ABBREV=GA1
CIRCUIT+TYPE=GATE+ARRAY		LAST+MODIFIED=Sun Oct 7 16:40:03 1984



DRN: BARRY MASKAS	DATE: 18-DEC-83	ENG: BARRY MASKAS	DATE: 18-DEC-83	TITLE: EXCEPTIONS AND INTERRUPTS
CHK'D: BARRY MASKAS	DATE: 18-DEC-83	SHEET: 1 OF 1	NEXT HIGHER ASSEMBLY:	SIZE: D CODE: C5

NUMBER: M7606-0-34	REV: 3
--------------------	--------



IWR L CS<2:0>H  
 HLHH INTERRUPT ACKNOWLEDGE  
 HHLH READ (I-STREAM/PREFETCH)  
 HHLH READ (LOCK)  
 HHLH READ (D-STREAM)  
 HHLH READ (D-STREAM)  
 LHLH WRITE UNLOCK

1.7.2.4

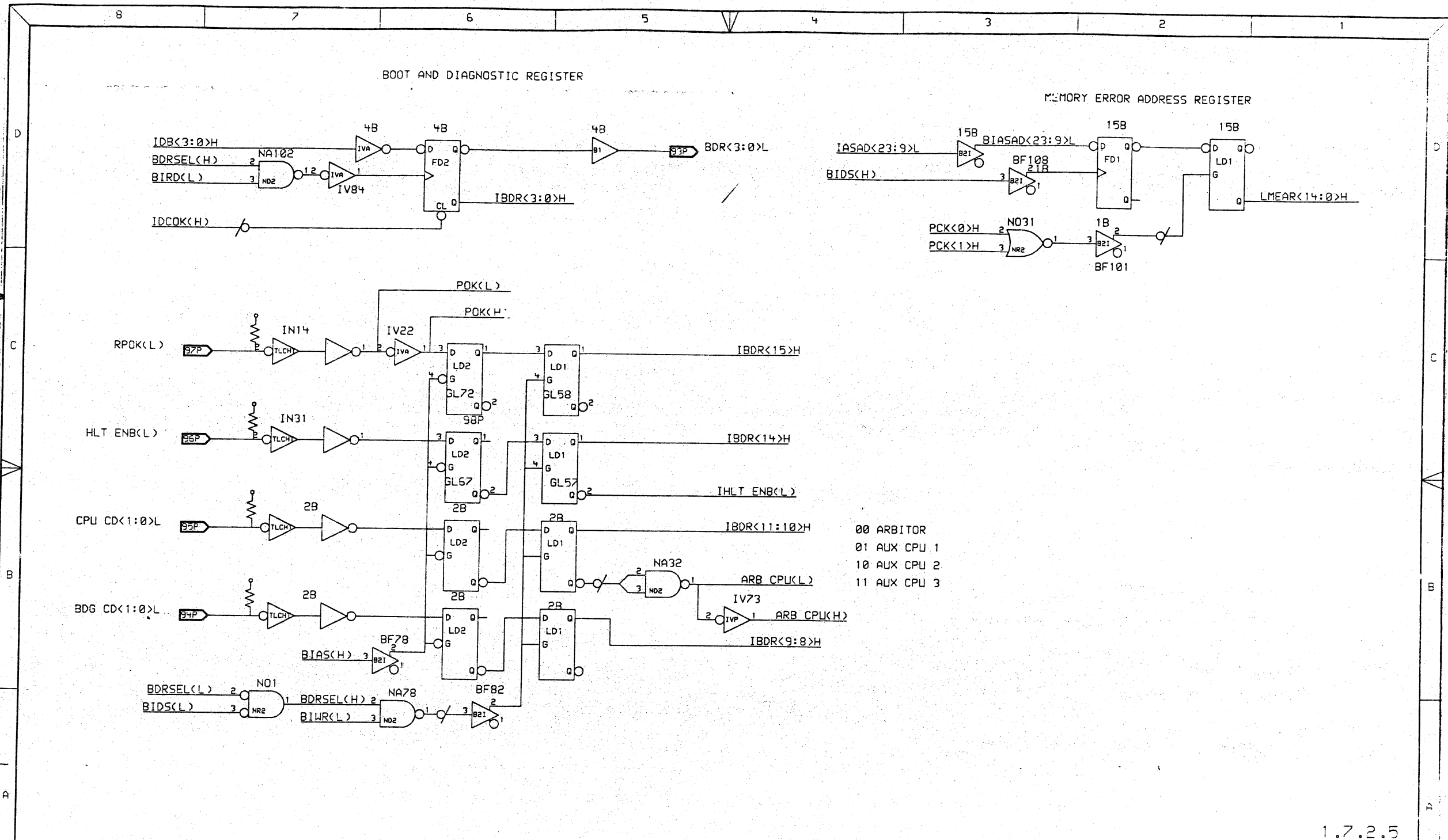
"THIS DRAWING AND SPECIFICATIONS, HEREIN, ARE THE PROPERTY OF DIGITAL EQUIPMENT CORPORATION AND SHALL NOT BE REPRODUCED OR COPIED OR USED IN WHOLE OR IN PART AS THE BASIS FOR THE MANUFACTURE OR SALE OF ITEMS WITHOUT WRITTEN PERMISSION.  
 COPYRIGHT 1984 DIGITAL EQUIPMENT CORPORATION

REVISION HISTORY			DRAWING		
REV	TECO NUMBER	DATE	TITLE	ABBREV	CIRCUIT+TYPE=GATE+ARRAY
1			GA1		
2					
3					
4					
5					
6					
7					
8					

LAST MODIFIED=Sat Oct 20 18:44:09 1984

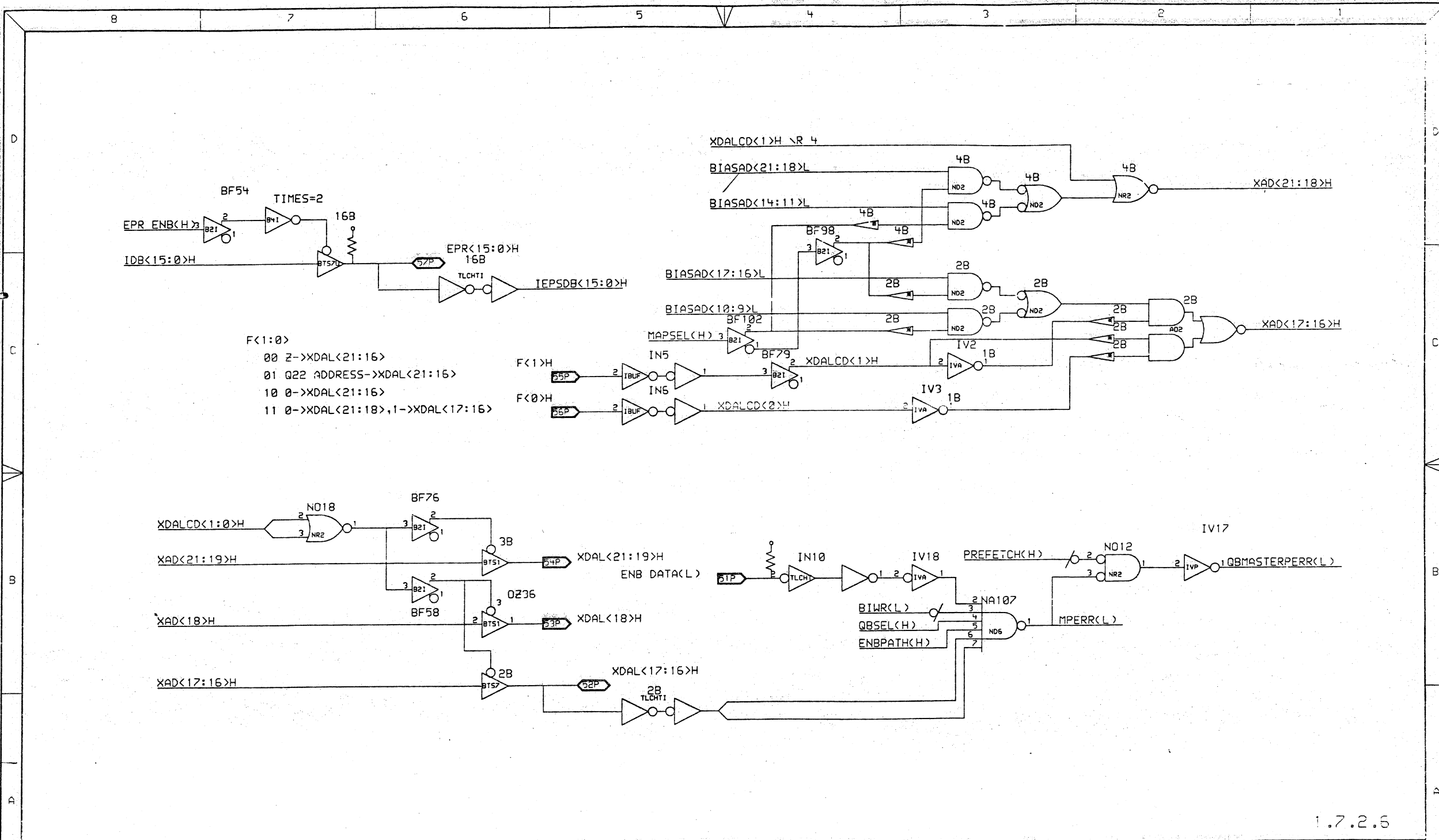
digital

DRN: BARRY MASKAS	DATE 19-DEC-83	ENG: BARRY MASKAS	DATE 19-DEC-83	TITLE: UVAX INPUTS AND I/O PINS
CHK'D: BARRY MASKAS	DATE 19-DEC-83	SHEET 1 OF 1	NEXT HIGHER ASSEMBLY:	SIZE D
				CODE CS
				NUMBER M7606 -0 -35
				REV 3



1.7.2.5

"THIS DRAWING AND SPECIFICATIONS, HEREIN, ARE THE PROPERTY OF DIGITAL EQUIPMENT CORPORATION AND SHALL NOT BE REPRODUCED OR COPIED OR USED IN WHOLE OR IN PART AS THE BASIS FOR THE MANUFACTURE OR SALE OF ITEMS WITHOUT WRITTEN PERMISSION. COPYRIGHT 1984 DIGITAL EQUIPMENT CORPORATION		REVISION HISTORY <table border="1"> <tr> <th>REV</th> <th>ECO NUMBER</th> <th>DATE</th> </tr> <tr> <td>0</td> <td></td> <td></td> </tr> </table>	REV	ECO NUMBER	DATE	0			DRAWING TITLE=GA1 ABBREV=GA1 CIRCUIT+TYPE=GATE+ARRAY LAST+MODIFIED=Sun Oct 7 16:53:31 1984	digital	DRN: BARRY MASKAS CHK'D: BARRY MASKAS	DATE 18-DEC-83 DATE 18-DEC-83	ENG: BARRY MASKAS SHEET 1 OF 1 NEXT HIGHER ASSEMBLY:	DATE 18-DEC-83	TITLE: BOOT/DIAG REG., MEM ERR ADDR REG.	SIZE D CS	NUMBER M7606 -0 -36	REV 3
REV	ECO NUMBER	DATE																
0																		



1.7.2.6

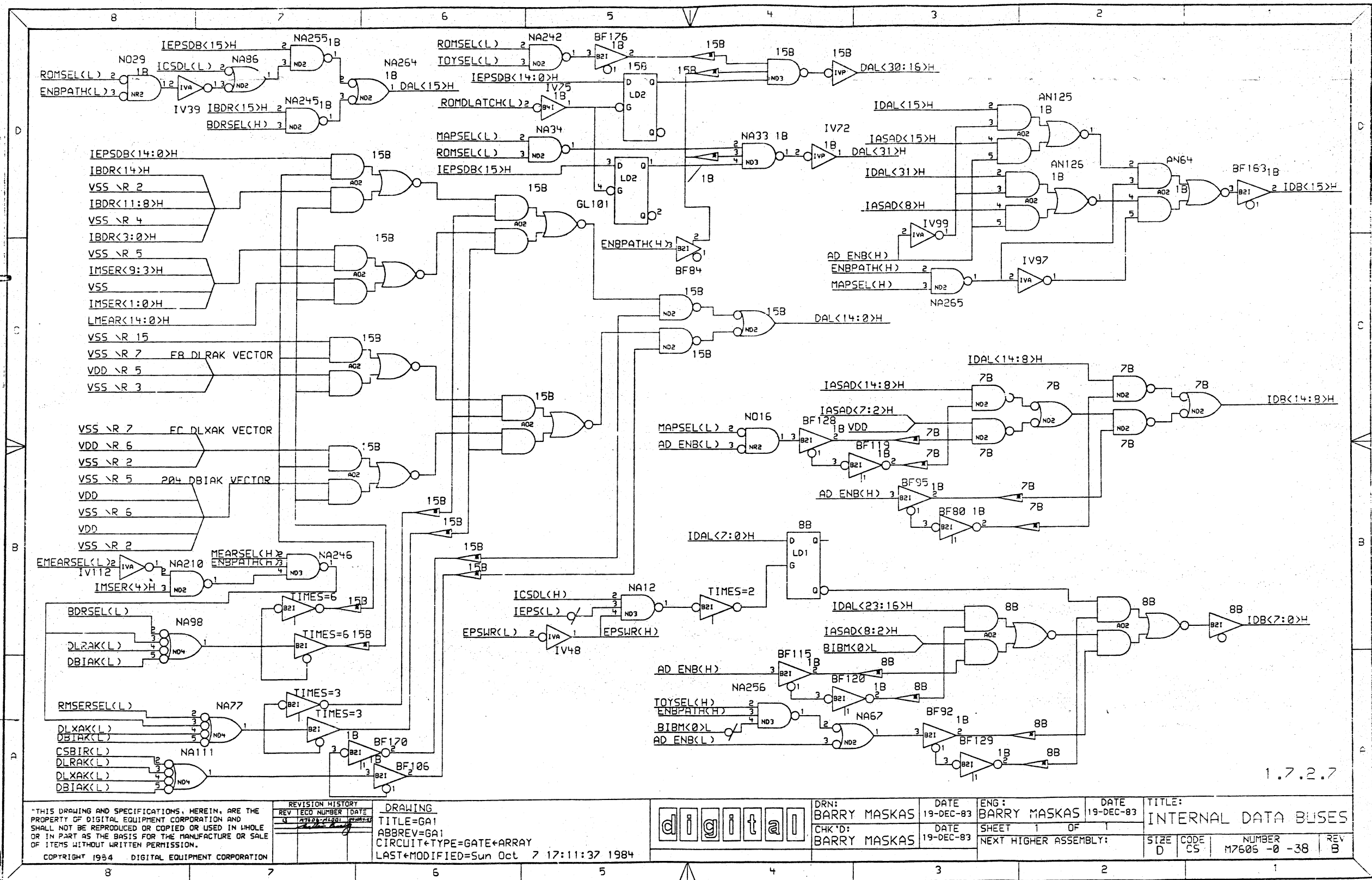
"THIS DRAWING AND SPECIFICATIONS, HEREIN, ARE THE PROPERTY OF DIGITAL EQUIPMENT CORPORATION AND SHALL NOT BE REPRODUCED OR COPIED OR USED IN WHOLE OR IN PART AS THE BASIS FOR THE MANUFACTURE OR SALE OF ITEMS WITHOUT WRITTEN PERMISSION.  
 COPYRIGHT 1984 DIGITAL EQUIPMENT CORPORATION

REVISION HISTORY		
REV	ECO NUMBER	DATE
1	07/11/83	11-20-83

**DRAWING**  
 TITLE=GA1  
 ABBREV=GA1  
 CIRCUIT+TYPE=GATE+ARRAY  
 LAST+MODIFIED=NOT WRITTEN



DRN:	BARRY MASKAS	DATE	19-DEC-83	ENG:	BARRY MASKAS	DATE	19-DEC-83	TITLE:	EPR BUS, XDAL BUS
CHK'D:	BARRY MASKAS	DATE	19-DEC-83	SHEET	1	OF	1	SIZE	D
NEXT HIGHER ASSEMBLY:				CODE	CS	NUMBER	M7506-0-37	REV	B



1.7.2.7

THIS DRAWING AND SPECIFICATIONS, HEREIN, ARE THE PROPERTY OF DIGITAL EQUIPMENT CORPORATION AND SHALL NOT BE REPRODUCED OR COPIED OR USED IN WHOLE OR IN PART AS THE BASIS FOR THE MANUFACTURE OR SALE OF ITEMS WITHOUT WRITTEN PERMISSION.  
 COPYRIGHT 1984 DIGITAL EQUIPMENT CORPORATION

REVISION HISTORY		
REV	TECD NUMBER	DATE
1		

**DRAWING**  
 TITLE=GA1  
 ABBREV=GA1  
 CIRCUIT+TYPE=GATE+ARRAY  
 LAST+MODIFIED=Sun Oct 7 17:11:37 1984

digital

DRN: BARRY MASKAS  
 CHK'D: BARRY MASKAS

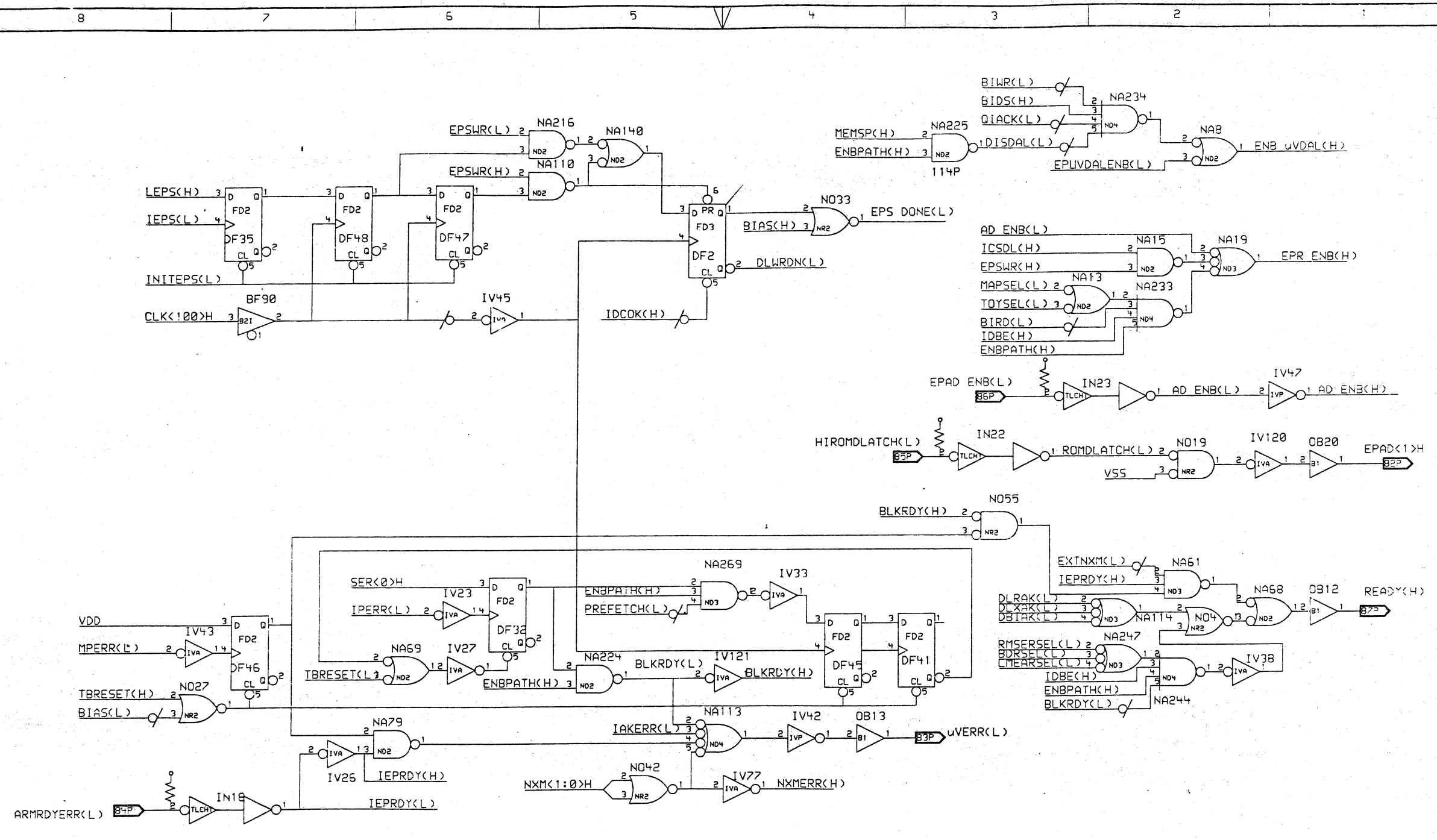
DATE 19-DEC-83  
 DATE 19-DEC-83

ENG: BARRY MASKAS  
 SHEET 1 OF 1

DATE 19-DEC-83

TITLE: INTERNAL DATA BUSES  
 NEXT HIGHER ASSEMBLY:

SIZE	CODE	NUMBER	REV
D	C5	M7605-0-38	B



1.7.2.3

"THIS DRAWING AND SPECIFICATIONS, HEREIN, ARE THE PROPERTY OF DIGITAL EQUIPMENT CORPORATION AND SHALL NOT BE REPRODUCED OR COPIED OR USED IN WHOLE OR IN PART AS THE BASIS FOR THE MANUFACTURE OR SALE OF ITEMS WITHOUT WRITTEN PERMISSION.  
 COPYRIGHT 1984 DIGITAL EQUIPMENT CORPORATION

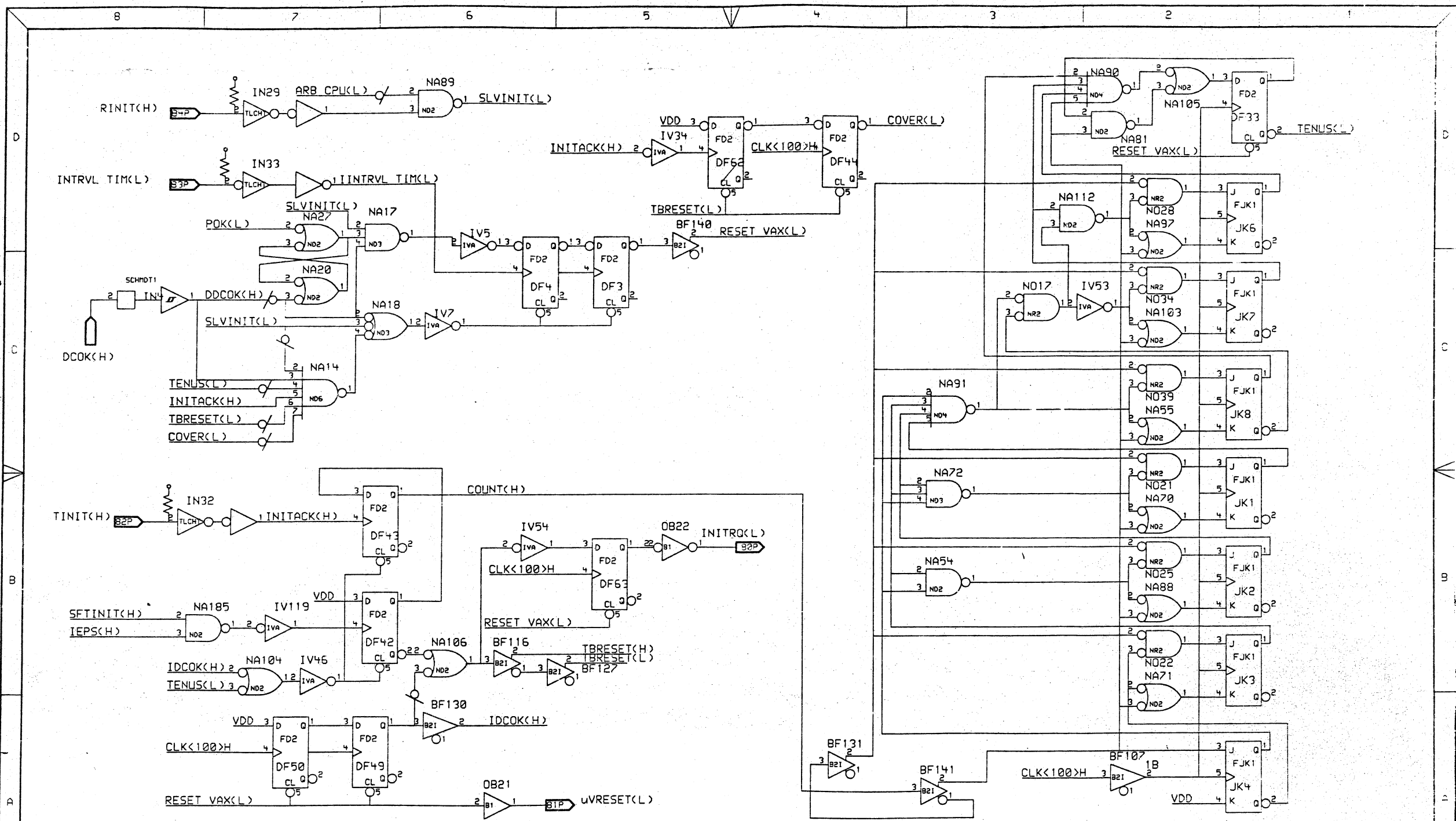
REVISION HISTORY		DRAWING	
REV	EC'D NUMBER	DATE	
0		12/19/83	

TITLE=GA1  
 ABBREV=GA1  
 CIRCUIT+TYPE=GATE+ARRAY  
 LAST+MODIFIED=Sun Oct 7 17:15:18 1984



DRN: BARRY MASKAS	DATE: 19-DEC-83	ENG: BARRY MASKAS	DATE: 19-DEC-83	TITLE: MISC. CONTROL STROBES
CHK'D: BARRY MASKAS	DATE: 19-DEC-83	SHEET 1 OF 1	NEXT HIGHER ASSEMBLY:	TYPE CODE NUMBER REV D CS M7505 -2 -39 B





1.7.2.9

"THIS DRAWING AND SPECIFICATIONS, HEREIN, ARE THE PROPERTY OF DIGITAL EQUIPMENT CORPORATION AND SHALL NOT BE REPRODUCED OR COPIED OR USED IN WHOLE OR IN PART AS THE BASIS FOR THE MANUFACTURE OR SALE OF ITEMS WITHOUT WRITTEN PERMISSION.  
 COPYRIGHT 1984 DIGITAL EQUIPMENT CORPORATION

REVISION HISTORY		
REV	ECO NUMBER	DATE
8	47426-AL-02	12-19-83

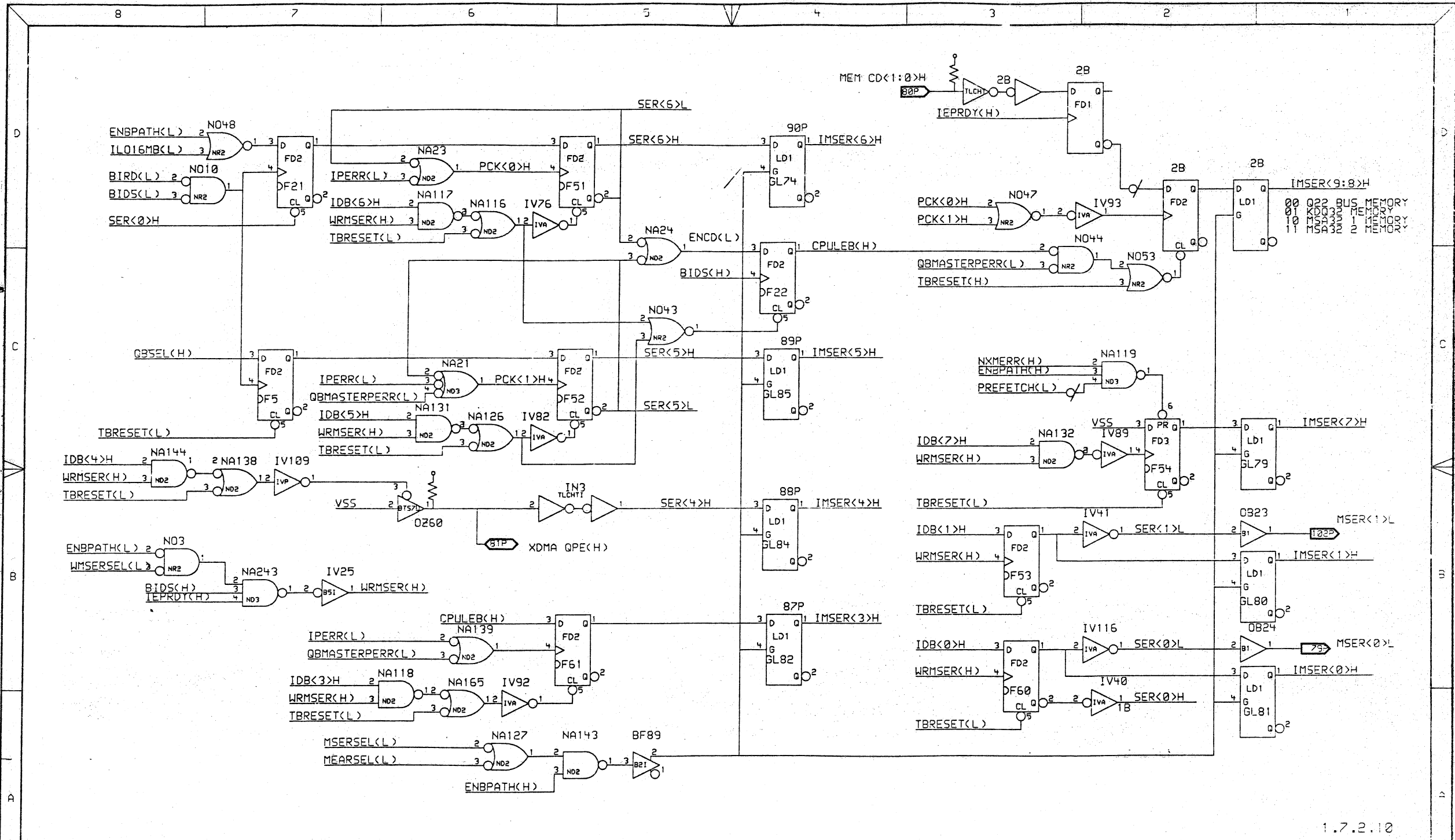
DRAWING  
 TITLE=GA1  
 ABBREV=GA1  
 CIRCUIT+TYPE=GATE+ARRAY  
 LAST+MODIFIED=Sun Oct 7 17:19:49 1984

digital

DRN: BARRY MASKAS  
 CHK'D: BARRY MASKAS  
 DATE: 19-DEC-83

ENG: BARRY MASKAS  
 SHEET 1 OF 1  
 NEXT HIGHER ASSEMBLY:

TITLE: RESET COUNTER, POWER UP/DOWN CNTRL  
 SIZE CODE NUMBER REV  
 D CS M7606 -0 -40 8



THIS DRAWING AND SPECIFICATIONS, HEREIN, ARE THE PROPERTY OF DIGITAL EQUIPMENT CORPORATION AND SHALL NOT BE REPRODUCED OR COPIED OR USED IN WHOLE OR IN PART AS THE BASIS FOR THE MANUFACTURE OR SALE OF ITEMS WITHOUT WRITTEN PERMISSION.  
 COPYRIGHT 1984 DIGITAL EQUIPMENT CORPORATION

REVISION HISTORY		
REV	ECO NUMBER	DATE
0		12/19/83

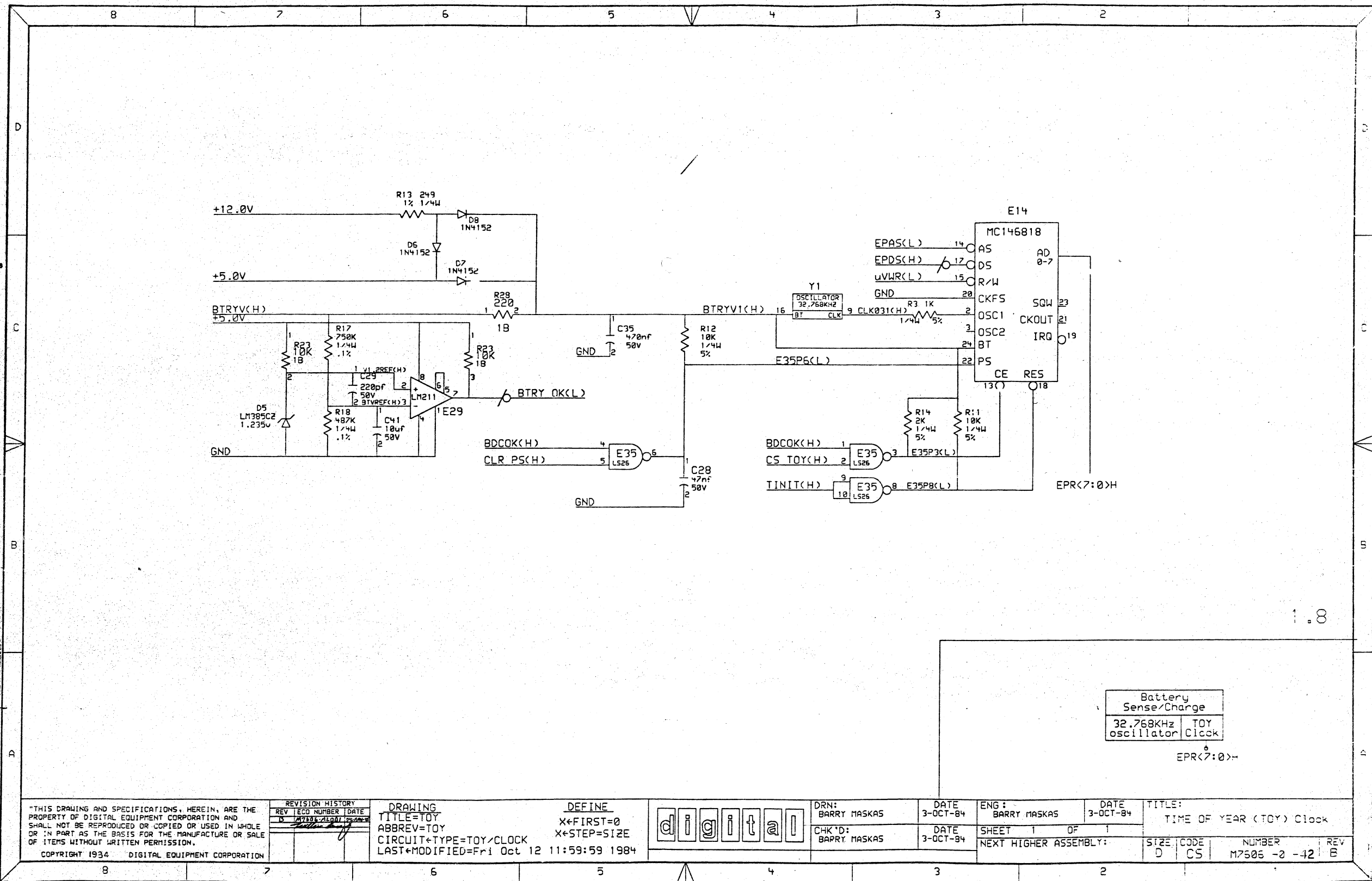
DRAWING  
 TITLE=GA1  
 ABBREV=GA1  
 CIRCUIT+TYPE=GATE+ARRAY  
 LAST+MODIFIED=Sun Oct 7 17:24:40 1984



DRN: BARRY MASKAS	DATE 19-DEC-83	ENG: BARRY MASKAS	DATE 19-DEC-83	TITLE: MEMORY SYSTEM ERROR REGISTER
CHK'D: BARRY MASKAS	DATE 19-DEC-83	SHEET 1 OF 1	NEXT HIGHER ASSEMBLY:	SIZE CODE D CS

NUMBER M7605 -0 -1	REV B
-----------------------	----------

1.7.2.10



Battery Sense/Charge  
32.768KHz oscillator TOY  
Clock

EPR<7:0>H

"THIS DRAWING AND SPECIFICATIONS, HEREIN, ARE THE PROPERTY OF DIGITAL EQUIPMENT CORPORATION AND SHALL NOT BE REPRODUCED OR COPIED OR USED IN WHOLE OR IN PART AS THE BASIS FOR THE MANUFACTURE OR SALE OF ITEMS WITHOUT WRITTEN PERMISSION.  
COPYRIGHT 1984 DIGITAL EQUIPMENT CORPORATION

REV	ECO NUMBER	DATE
1		

DRAWING  
TITLE=TOY  
ABBREV=TOY  
CIRCUIT+TYPE=TOY/CLOCK  
LAST+MODIFIED=Fri Oct 12 11:59:59 1984

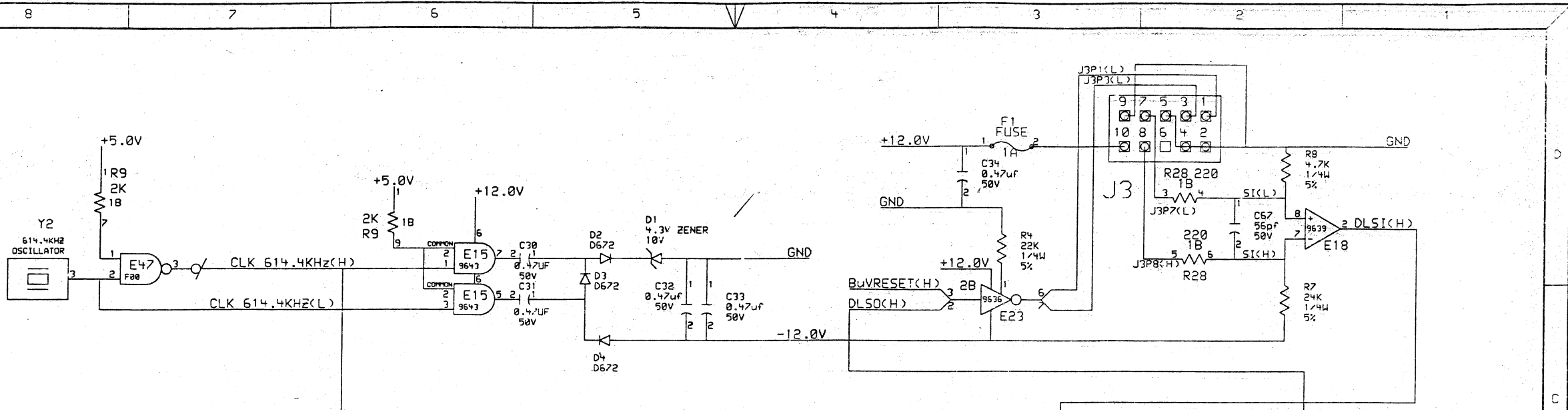
DEFINE  
X\*FIRST=0  
X\*STEP=SIZE  
**digital**

DRN: BARRY MASKAS  
CHK'D: BARRY MASKAS

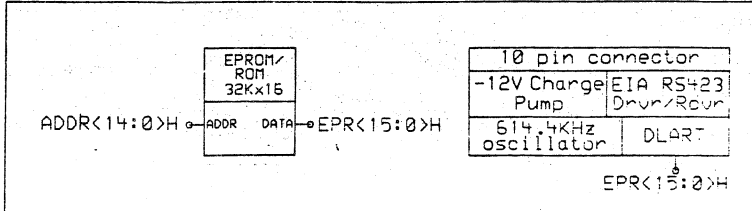
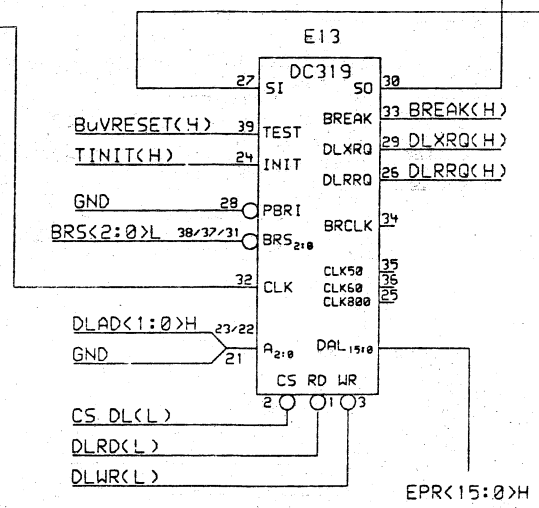
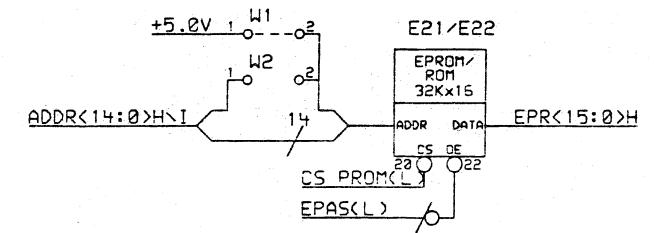
DATE 3-OCT-84

ENG: BARRY MASKAS  
SHEET 1 OF 1  
NEXT HIGHER ASSEMBLY:

DATE 3-OCT-84  
TITLE: TIME OF YEAR (TOY) Clock  
SIZE CODE NUMBER REV  
D CS M7505 -2 -42 B



NOTE:  
 W1 is normally installed (for 2764 & 27128 EPROM's)  
 W2 is to be installed for 27256 EPROM's.



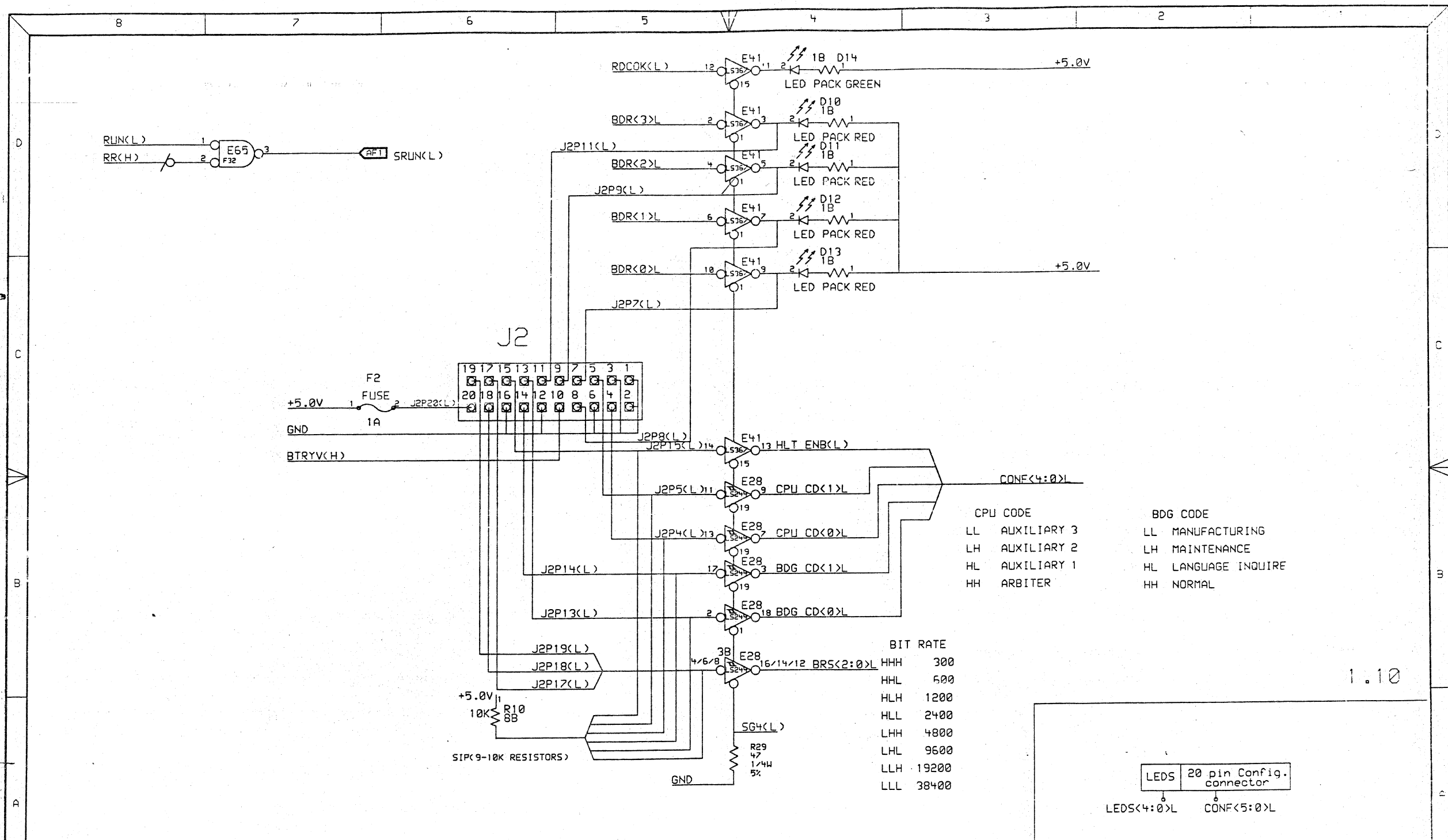
"THIS DRAWING AND SPECIFICATIONS, HEREIN, ARE THE PROPERTY OF DIGITAL EQUIPMENT CORPORATION AND SHALL NOT BE REPRODUCED OR COPIED OR USED IN WHOLE OR IN PART AS THE BASIS FOR THE MANUFACTURE OR SALE OF ITEMS WITHOUT WRITTEN PERMISSION.  
 COPYRIGHT 1984 DIGITAL EQUIPMENT CORPORATION

REVISION HISTORY		DRAWING		DEFINE	
REV	ECO NUMBER	DATE	TITLE	X+FIRST=0	X+STEP=SIZE
3	14700	11/01/84	TITLE=COMM		
			ABBREV=COMM		
			CIRCUIT TYPE=SERIAL I/O		
			LAST MODIFIED=Fri Oct 12 14:27:55 1984		

digital

DRN: BARRY MASKAS	DATE: 3-OCT-84	ENG: BARRY MASKAS	DATE: 3-OCT-84	TITLE: Console Serial Line Interface
CHK'D: BARRY MASKAS	DATE: 3-OCT-84	SHEET: 1 OF 1	NEXT HIGHER ASSEMBLY:	SIZE: D

CODE: CS	NUMBER: M7606-0-43	REV: 3
----------	--------------------	--------



"THIS DRAWING AND SPECIFICATIONS, HEREIN, ARE THE PROPERTY OF DIGITAL EQUIPMENT CORPORATION AND SHALL NOT BE REPRODUCED OR COPIED OR USED IN WHOLE OR IN PART AS THE BASIS FOR THE MANUFACTURE OR SALE OF ITEMS WITHOUT WRITTEN PERMISSION.  
 COPYRIGHT 1984 DIGITAL EQUIPMENT CORPORATION

REV	ECO NUMBER	DATE
B	17104	10/29/84

REVISION HISTORY  
 DRAWING  
 TITLE=LEDS  
 ABBREV=LEDS  
 CIRCUIT+TYPE=CONF+CONN  
 LAST+MODIFIED=Mon Oct 29 09:40:54 1984

DEFINE  
 X+FIRST=0  
 X+STEP=SIZE

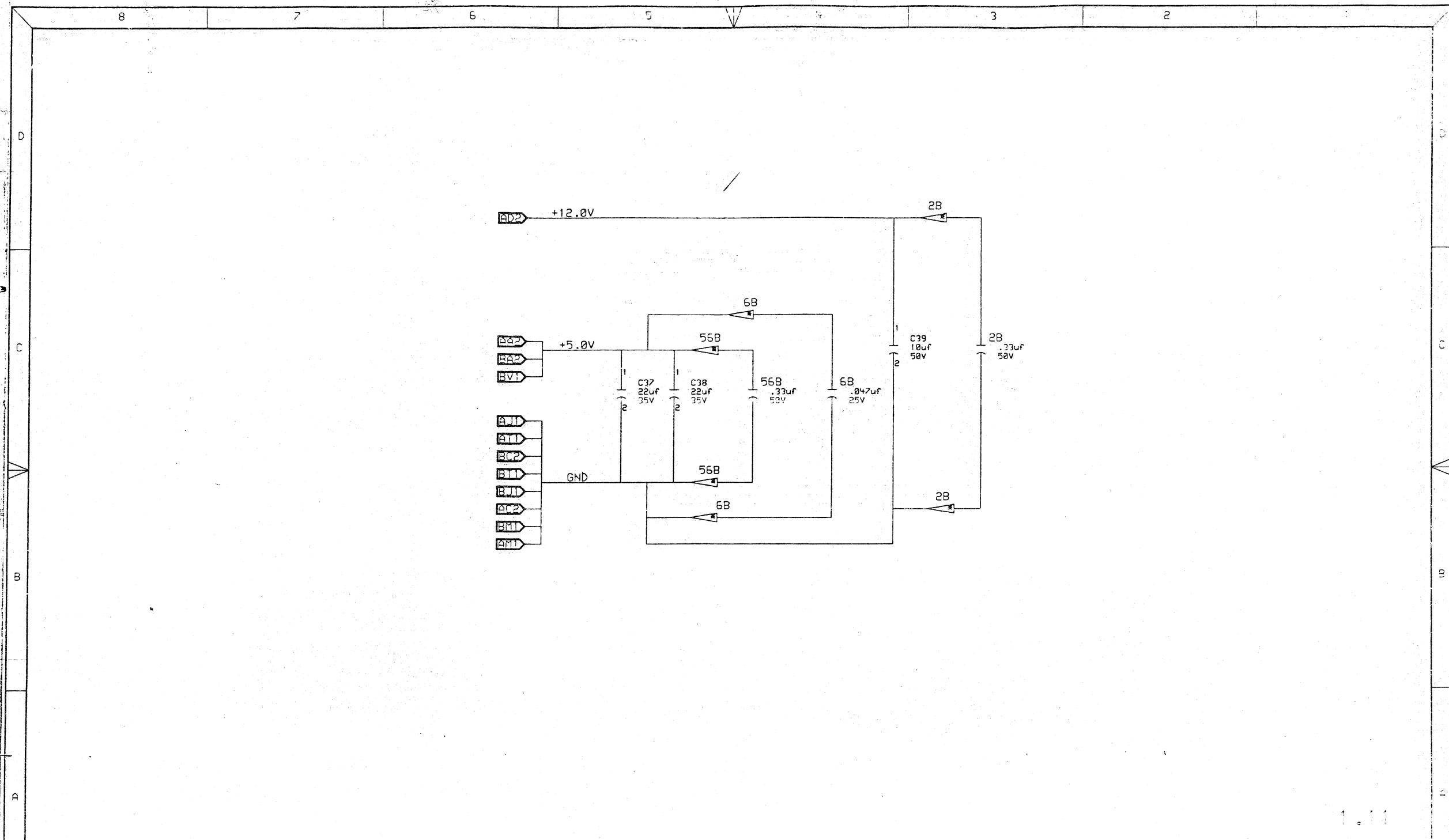


DRN: BARRY MASKAS  
 DATE: 3-OCT-84  
 CHK'D: BARRY MASKAS  
 DATE: 3-OCT-84

ENG: BARRY MASKAS  
 DATE: 3-OCT-84  
 SHEET 1 OF 1  
 NEXT HIGHER ASSEMBLY:

TITLE:  
 LEDS and Configuration Connector  
 SIZE CODE NUMBER REV  
 D CS M7606 -0 -4 B

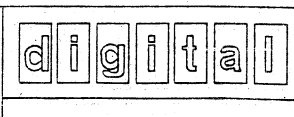
1.10



"THIS DRAWING AND SPECIFICATIONS, HEREIN, ARE THE PROPERTY OF DIGITAL EQUIPMENT CORPORATION AND SHALL NOT BE REPRODUCED OR COPIED OR USED IN WHOLE OR IN PART AS THE BASIS FOR THE MANUFACTURE OR SALE OF ITEMS WITHOUT WRITTEN PERMISSION.  
 COPYRIGHT 1984 DIGITAL EQUIPMENT CORPORATION

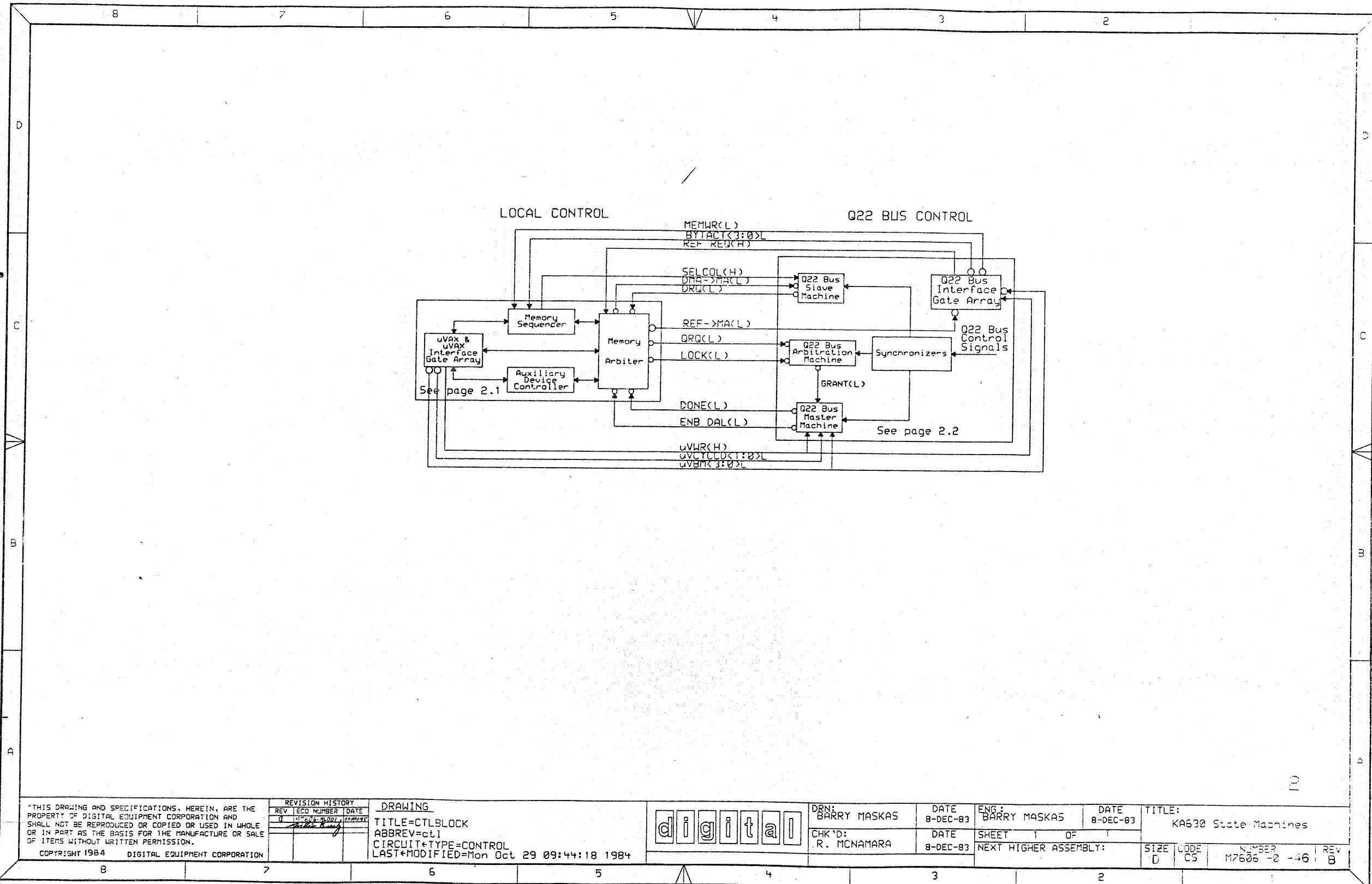
REVISION HISTORY		
REV	ECO NUMBER	DATE
1	17506-001	3-10-84

DRAWING  
 TITLE=KDQ32  
 LAST MODIFIED=Sun Oct 7 20:49:41 1984



DRN: BARRY MASKAS	DATE 3-OCT-84	ENG: BARRY MASKAS	DATE 3-OCT-84
CHK'D: BARRY MASKAS	DATE 3-OCT-84	SHEET 1 OF 1 NEXT HIGHER ASSEMBLY:	

TITLE: Decoupling Capacitors			
SIZE D	CODE CS	NUMBER M7505 -0 -45	REV B



"THIS DRAWING AND SPECIFICATIONS, HEREIN, ARE THE PROPERTY OF DIGITAL EQUIPMENT CORPORATION AND SHALL NOT BE REPRODUCED OR COPIED OR USED IN WHOLE OR IN PART AS THE BASIS FOR THE MANUFACTURE OR SALE OF ITEMS WITHOUT WRITTEN PERMISSION.  
 COPYRIGHT 1984 DIGITAL EQUIPMENT CORPORATION

REVISION HISTORY		
REV	ECO NUMBER	DATE
0		12/08/83

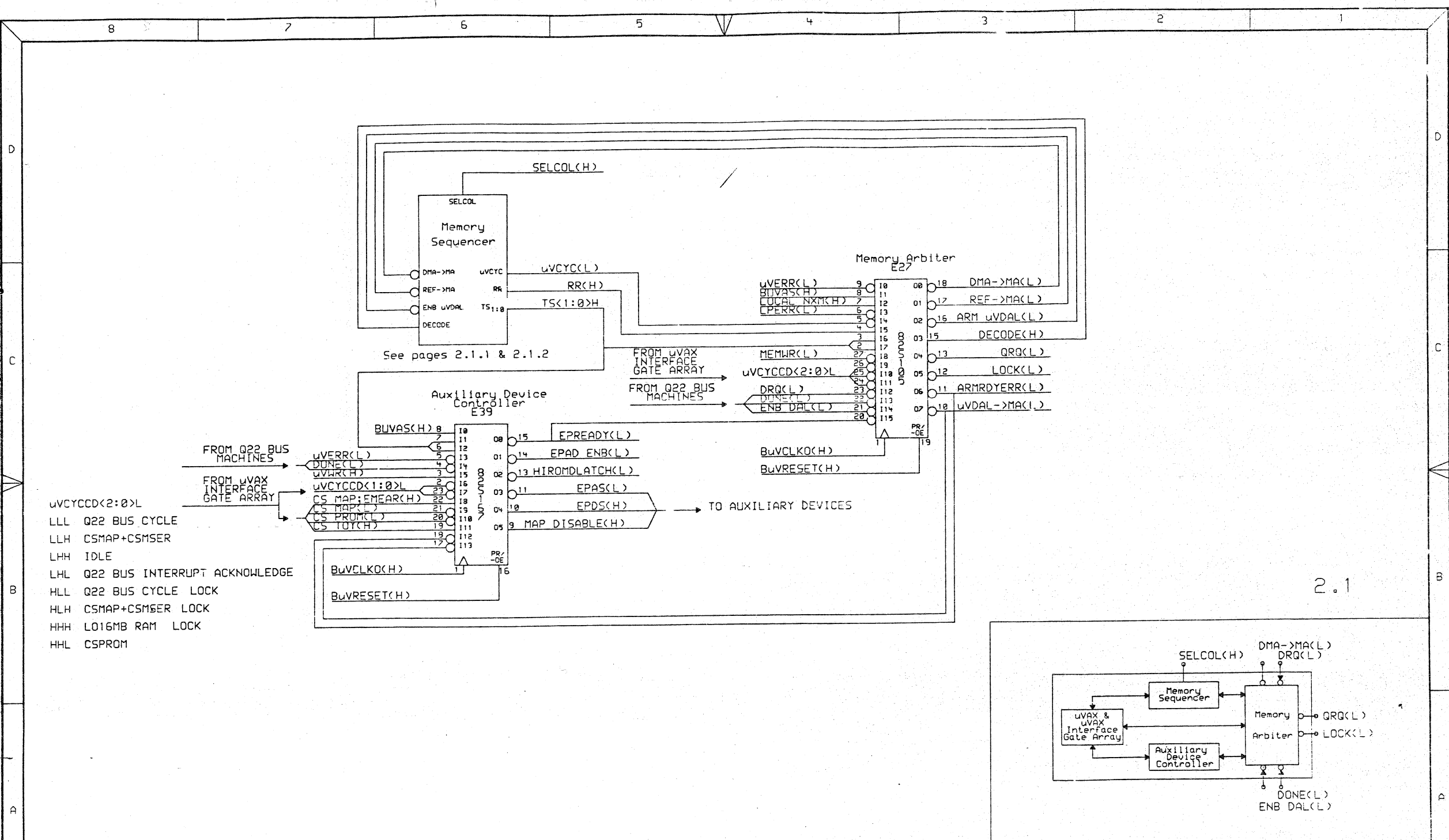
**DRAWING**  
 TITLE=CTLSLOCK  
 ABBREV=ctl  
 CIRCUIT+TYPE=CONTROL  
 LAST\*MODIFIED=Mon Oct 29 09:44:18 1984



DRN: BARRY MASKAS  
 DATE: 8-DEC-83  
 CHK'D: R. MCNAMARA  
 DATE: 8-DEC-83

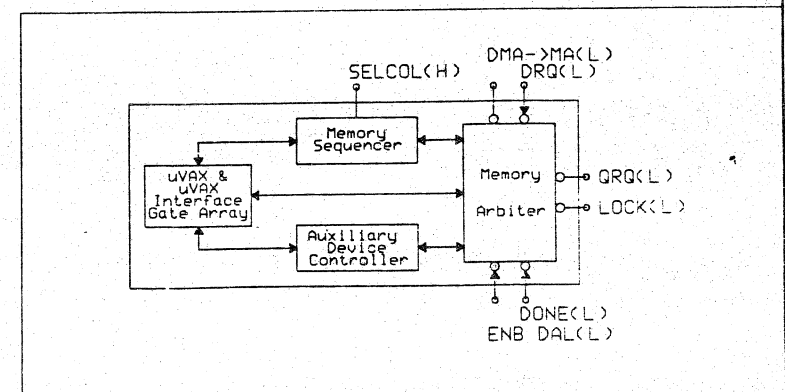
ENG: BARRY MASKAS  
 DATE: 8-DEC-83  
 SHEET 1 OF 1  
 NEXT HIGHER ASSEMBLY:

TITLE: KA630 State Machines  
 SIZE D CODE CS NUMBER M7605 -2 -46 REV B



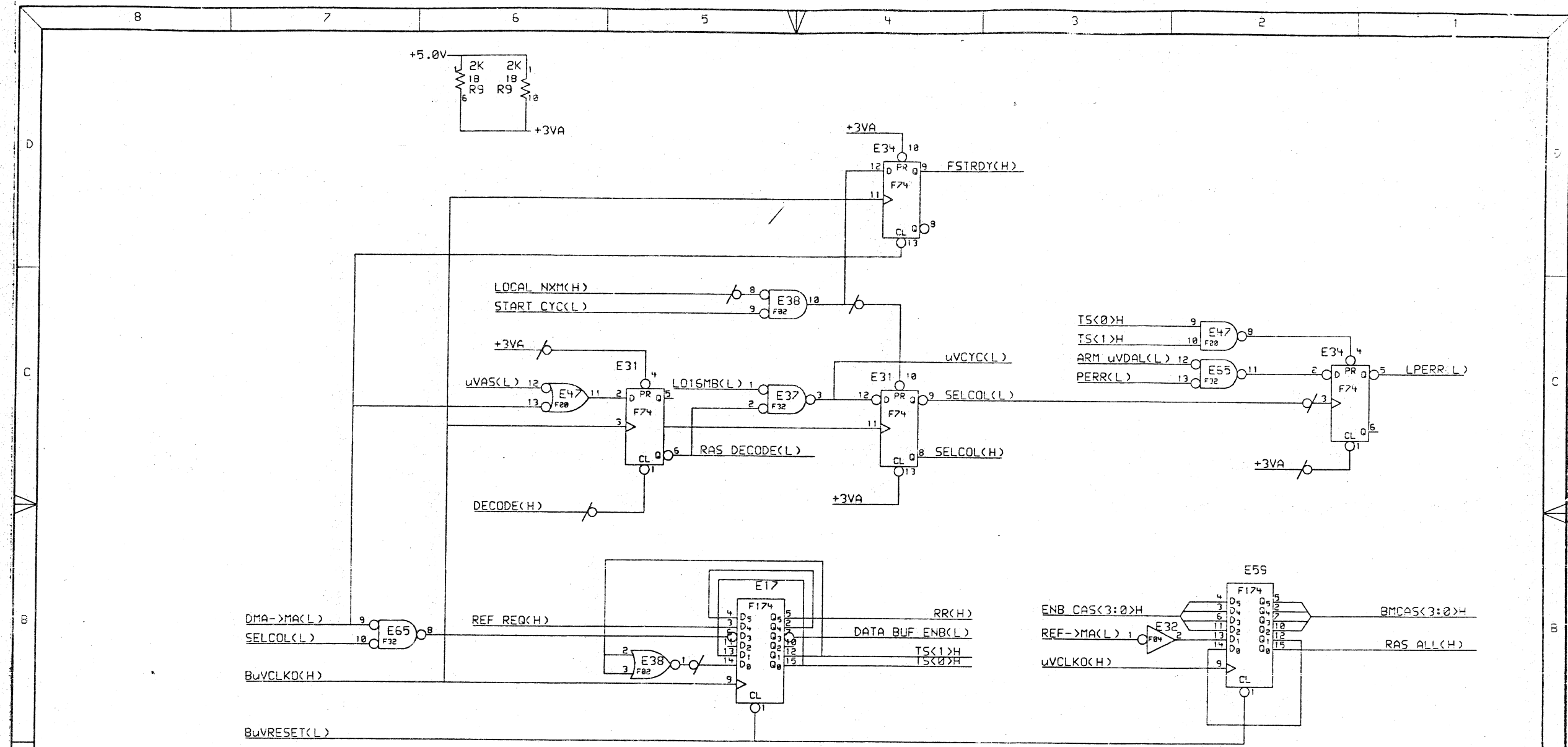
uVCCYCD<2:0>(L)  
 LLL Q22 BUS CYCLE  
 LLH CSMAP+CSMSER  
 LHH IDLE  
 LHL Q22 BUS INTERRUPT ACKNOWLEDGE  
 HLL Q22 BUS CYCLE LOCK  
 HLH CSMAP+CSMSER LOCK  
 HHH L016MB RAM LOCK  
 HHL CSPROM

2.1



"THIS DRAWING AND SPECIFICATIONS, HEREIN, ARE THE PROPERTY OF DIGITAL EQUIPMENT CORPORATION AND SHALL NOT BE REPRODUCED OR COPIED OR USED IN WHOLE OR IN PART AS THE BASIS FOR THE MANUFACTURE OR SALE OF ITEMS WITHOUT WRITTEN PERMISSION. COPYRIGHT 1984 DIGITAL EQUIPMENT CORPORATION		<b>REVISION HISTORY</b> REV. ECO NUMBER DATE 1 17505-001 3-10-84 <i>Digital Equipment Corporation</i>	<b>DRAWING</b> TITLE=U VAX MACHINE ABBREV=uVMach CIRCUIT+TYPE=control LAST+MODIFIED=Sun Oct 7 18:51:31 1984	<b>DEFINE</b> X*FIRST=0 X*STEP=SIZE	<b>digital</b>	DRN: BARRY MASKAS CHK'D: BARRY MASKAS	DATE 3-OCT-84 DATE 3-OCT-84	ENG: BARRY MASKAS SHEET 1 OF 1 NEXT HIGHER ASSEMBLY:	DATE 3-OCT-84	TITLE: uVAX Cycle Controller	SIZE D CODE CS	NUMBER M7505-0-47	REV 3
---	--	--	---	---	----------------	--	--------------------------------	--	---------------	------------------------------	-------------------	-------------------	-------



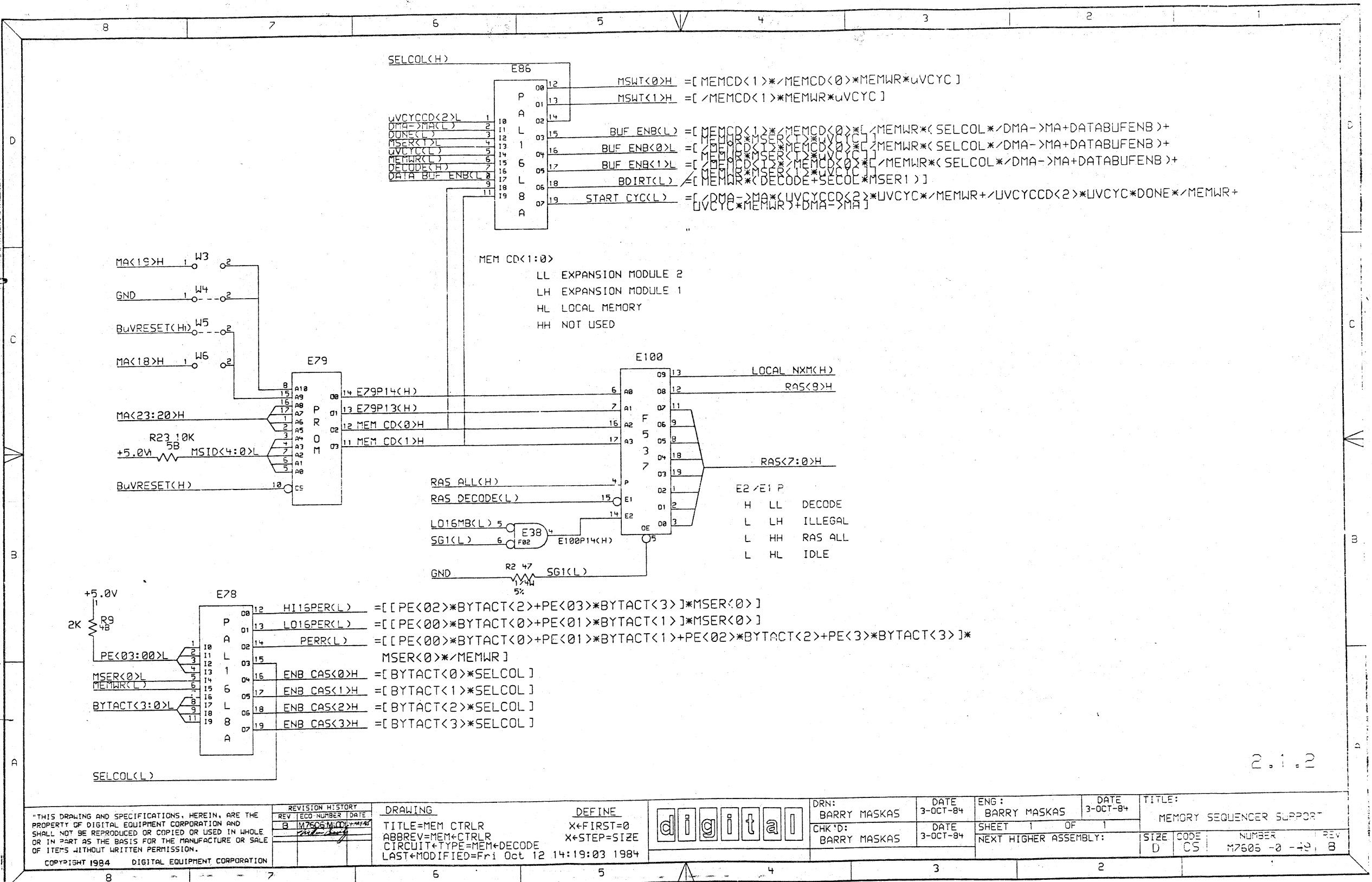


TS<1:0> STATE TABLE (uVAX Microcycle Counter)

s	ns	
T4	00 01	first uVAX CLK0 after /BuVRESET
T1	01 11	
T2	11 10	
T3	10 00	

2.1.1

THIS DRAWING AND SPECIFICATIONS, HEREIN, ARE THE PROPERTY OF DIGITAL EQUIPMENT CORPORATION AND SHALL NOT BE REPRODUCED OR COPIED OR USED IN WHOLE OR IN PART AS THE BASIS FOR THE MANUFACTURE OR SALE OF ITEMS WITHOUT WRITTEN PERMISSION. COPYRIGHT 1984 DIGITAL EQUIPMENT CORPORATION	REVISION HISTORY REV TECO NUMBER DATE A M7605-00 18-DEC-83	DRAWING TITLE=MEM CTRL ABBREV=MEMCTRL CIRCUIT+TYPE=MEM+CTRL LAST+MODIFIED=Fri Oct 12 14:23:21 1984	digital	DWN: BARRY MASKAS CHK'D: BARRY MASKAS	DATE 18-DEC-83 DATE 18-DEC-83	ENG: BARRY MASKAS SHEET NEXT HIGHER ASSEMBLY:	DATE 18-DEC-83 OF	TITLE: MEMORY SEQUENCER	SIZE D	CODE CS	NUMBER M7605-00-43	PEW B
--	--	--	---------	--	--	--	-------------------------	----------------------------	-----------	------------	-----------------------	----------



2.1.2

"THIS DRAWING AND SPECIFICATIONS, HEREIN, ARE THE PROPERTY OF DIGITAL EQUIPMENT CORPORATION AND SHALL NOT BE REPRODUCED OR COPIED OR USED IN WHOLE OR IN PART AS THE BASIS FOR THE MANUFACTURE OR SALE OF ITEMS WITHOUT WRITTEN PERMISSION.  
 COPYRIGHT 1984 DIGITAL EQUIPMENT CORPORATION

REVISION HISTORY		
REV	ECO NUMBER	DATE
8	M7605-00-1144	10/12/84

**DRAWING**  
 TITLE=MEM CTRLR  
 ABBREV=MEM+CTRLR  
 CIRCUIT+TYPE=MEM+DECODE  
 LAST+MODIFIED=Fri Oct 12 14:19:03 1984

**DEFINE**  
 X<FIRST=0  
 X<STEP=SIZE

digital

DRN:  
BARRY MASKAS  
 CHK'D:  
BARRY MASKAS

DATE  
3-OCT-84

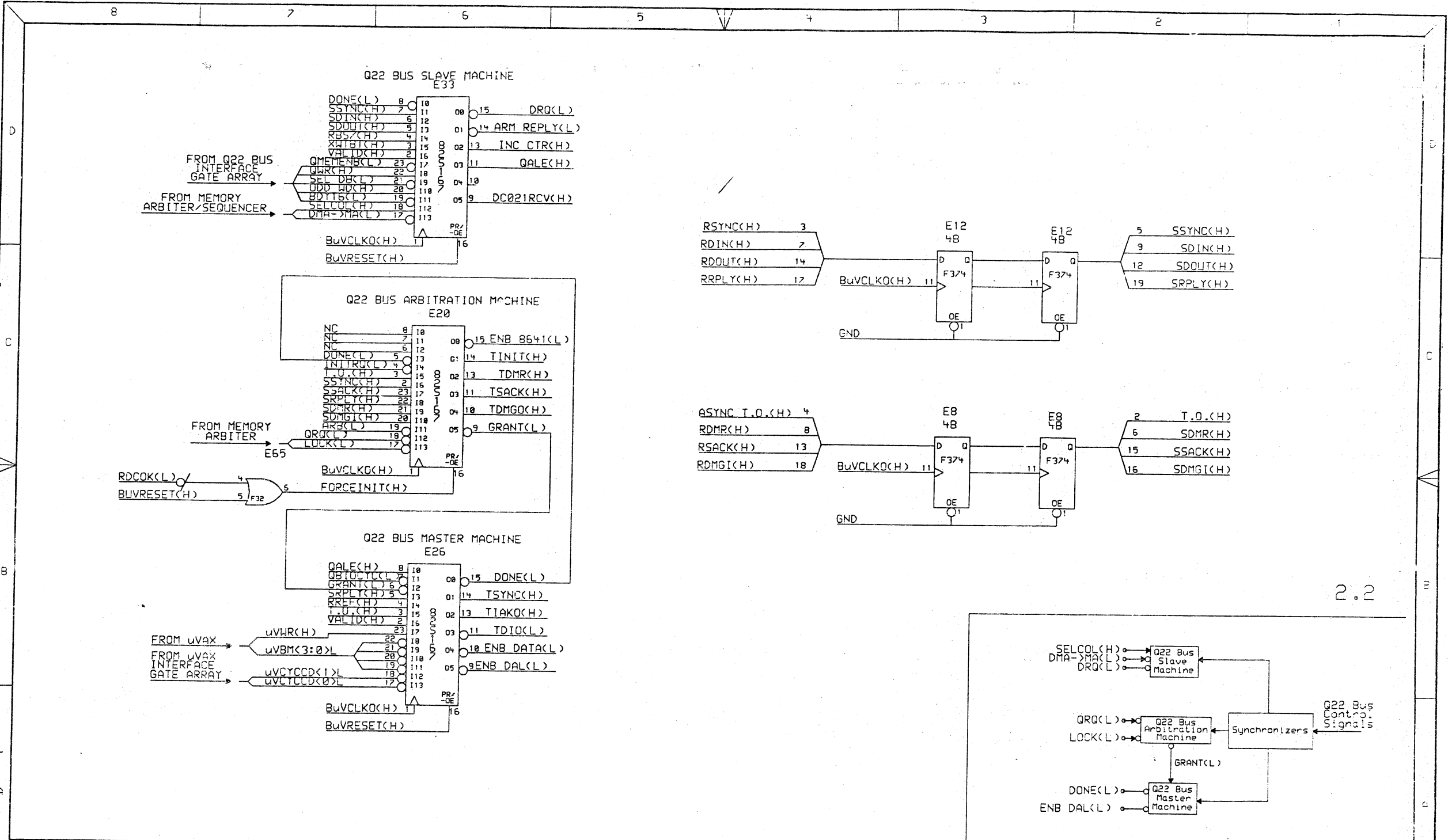
ENG:  
BARRY MASKAS

DATE  
3-OCT-84

TITLE:  
MEMORY SEQUENCER SUPPORT

SHEET 1 OF 1  
 NEXT HIGHER ASSEMBLY:

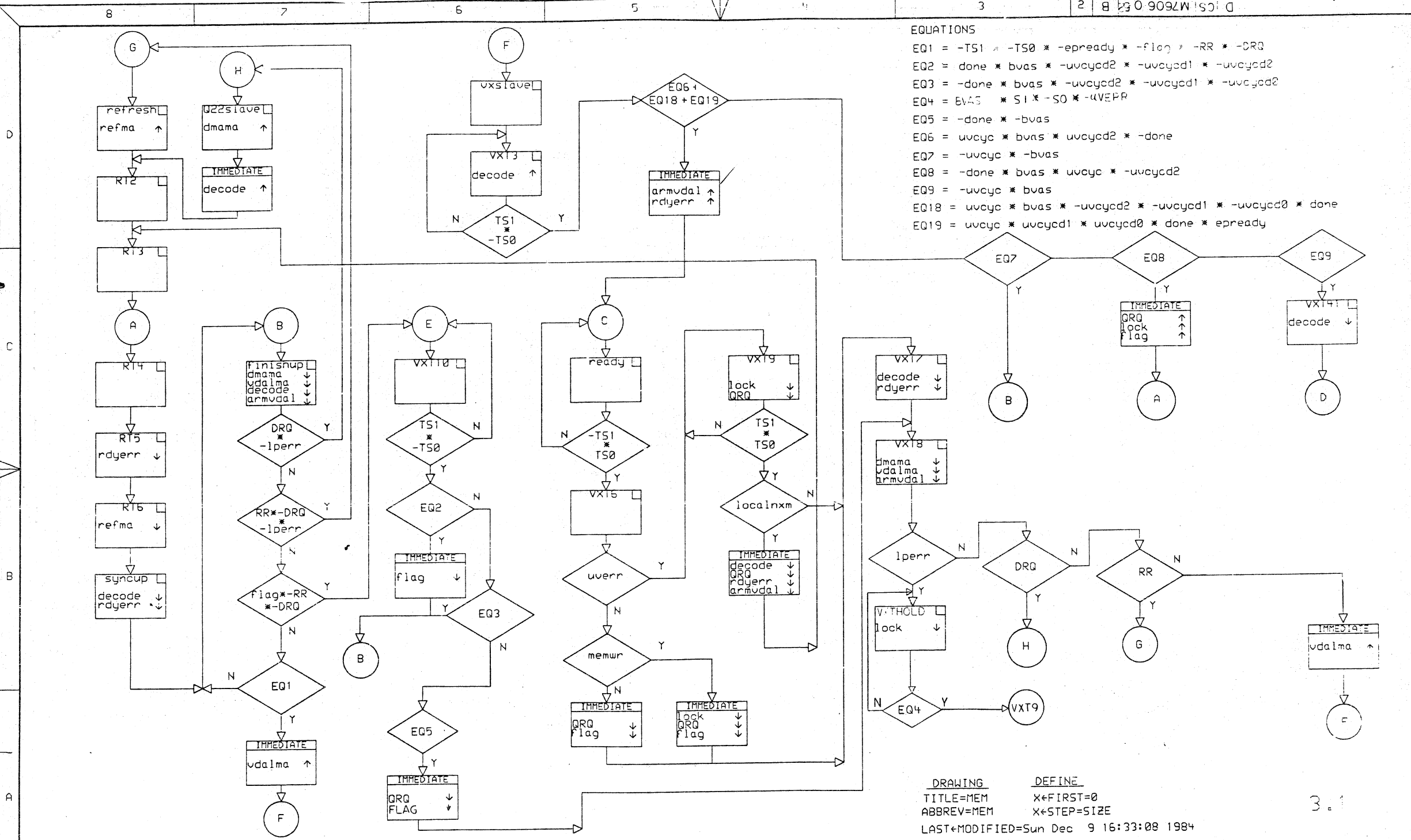
SIZE CODE NUMBER REV  
 D CS M7605-00-1144 B



2.2

THIS DRAWING AND SPECIFICATIONS, HEREIN, ARE THE PROPERTY OF DIGITAL EQUIPMENT CORPORATION AND SHALL NOT BE REPRODUCED OR COPIED OR USED IN WHOLE OR IN PART AS THE BASIS FOR THE MANUFACTURE OR SALE OF ITEMS WITHOUT WRITTEN PERMISSION. COPYRIGHT 1984 DIGITAL EQUIPMENT CORPORATION		<b>REVISION HISTORY</b> REV 100 NUMBER DATE 0 10/12/84	<b>DRAWING</b> TITLE=QBUS MACHINE ABBREV=QCTRL CIRCUIT+TYPE=QBUS+CNTRL LAST+MODIFIED=Fri Oct 12 12:21:22 1984	DEFINE X=LIST=0 X=STEP=SIZE	<b>digital</b>	DRN: R. McNamara CHK'D: P. McNamara	DATE 3-OCT-84 DATE 3-OCT-84	ENG: R. McNamara SHEET 1 OF 1	DATE 3-OCT-84 NEXT HIGHER ASSEMBLY:	TITLE: Q22 BUS STATE MACHINES	SIZE D CODE CS	NUMBER M7605-0-50	REV B
--	--	--	---	-----------------------------------	----------------	--	--------------------------------	----------------------------------	--	-------------------------------	-------------------	-------------------	-------

EQUATIONS  
 EQ1 = -TS1 \* -TS0 \* -epready \* -flag \* -RR \* -DRQ  
 EQ2 = done \* bvas \* -uvacyd2 \* -uvacyd1 \* -uvacyd0  
 EQ3 = -done \* bvas \* -uvacyd2 \* -uvacyd1 \* -uvacyd0  
 EQ4 = bvas \* S1 \* -S0 \* -4VEPR  
 EQ5 = -done \* -bvas  
 EQ6 = uvacy \* bvas \* uvacyd2 \* -done  
 EQ7 = -uvacy \* -bvas  
 EQ8 = -done \* bvas \* uvacy \* -uvacyd2  
 EQ9 = -uvacy \* bvas  
 EQ18 = uvacy \* bvas \* -uvacyd2 \* -uvacyd1 \* -uvacyd0 \* done  
 EQ19 = uvacy \* uvacyd1 \* uvacyd0 \* done \* epready

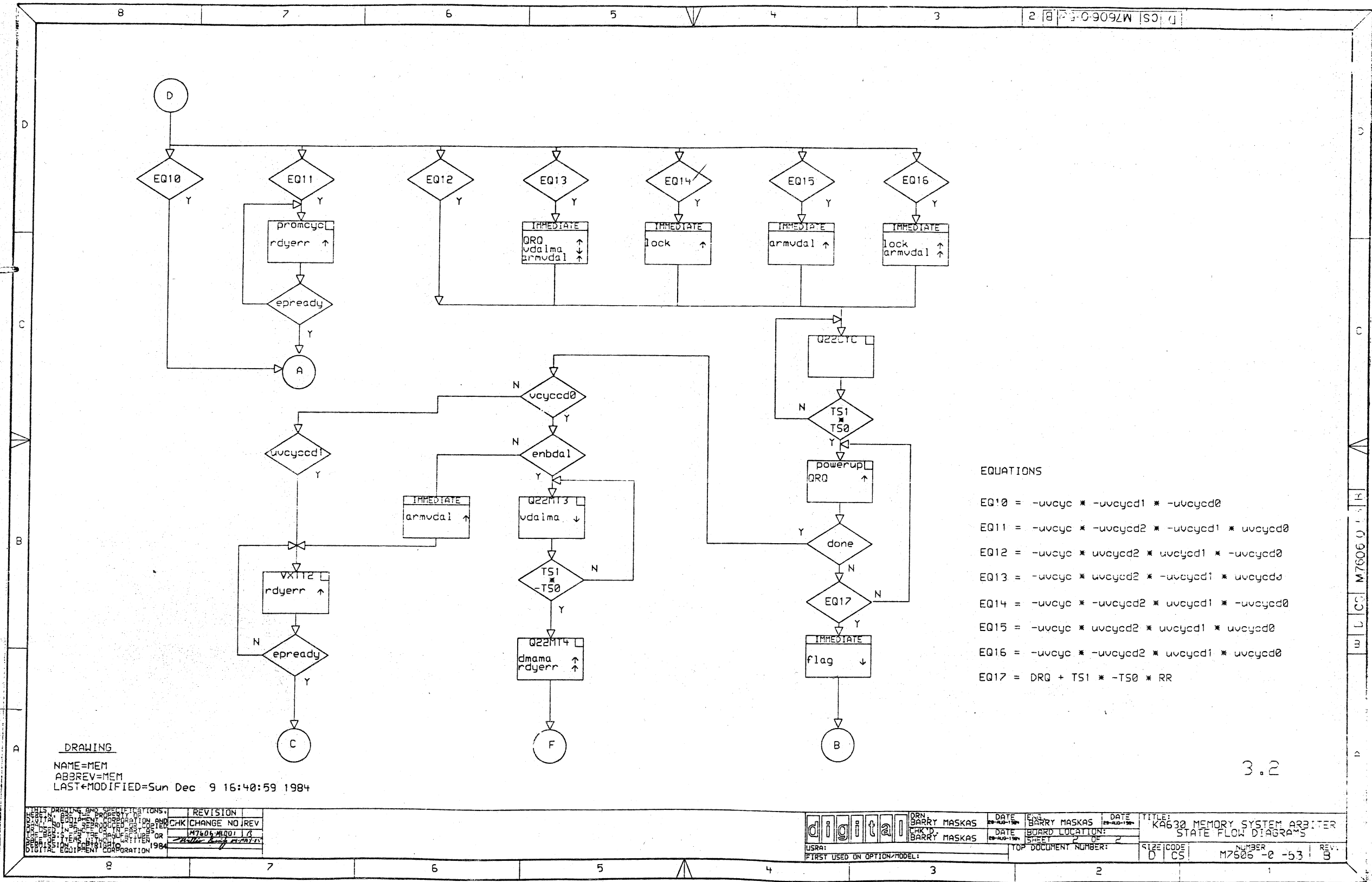


DRAWING DEFINE  
 TITLE=MEM X\*FIRST=0  
 ABBREV=MEM X\*STEP=SIZE  
 LAST\*MODIFIED=Sun Dec 9 16:33:08 1984

REVISION	CHK/CHANGE NO/REV
1	
2	
3	
4	
5	
6	
7	
8	

digital	DRN. BARRY MASKAS	DATE 82-12-09	DATE 82-12-09	TITLE: KAS30 MEMORY SYSTEM ARBITER STATE FLOW DIAGRAMS
	CHK'D. BARRY MASKAS	DATE 82-12-09	DATE 82-12-09	
USRA:	TOP DOCUMENT NUMBER:	SIZE CODE D CS	NUMBER M7606 -0 -02	REV. 1
FIRST USED ON OPTION/MODEL:				

D I G I T A L E Q U I P M E N T C O R P O R A T I O N M 7 6 0 6 0 0 1 3 1 1



EQUATIONS

EQ10 = -uvccy0 \* -uvccyd1 \* -uvccyd0

EQ11 = -uvccy0 \* -uvccyd2 \* -uvccyd1 \* uvccyd0

EQ12 = -uvccy0 \* uvccyd2 \* uvccyd1 \* -uvccyd0

EQ13 = -uvccy0 \* uvccyd2 \* -uvccyd1 \* uvccyd0

EQ14 = -uvccy0 \* -uvccyd2 \* uvccyd1 \* -uvccyd0

EQ15 = -uvccy0 \* uvccyd2 \* uvccyd1 \* uvccyd0

EQ16 = -uvccy0 \* -uvccyd2 \* uvccyd1 \* uvccyd0

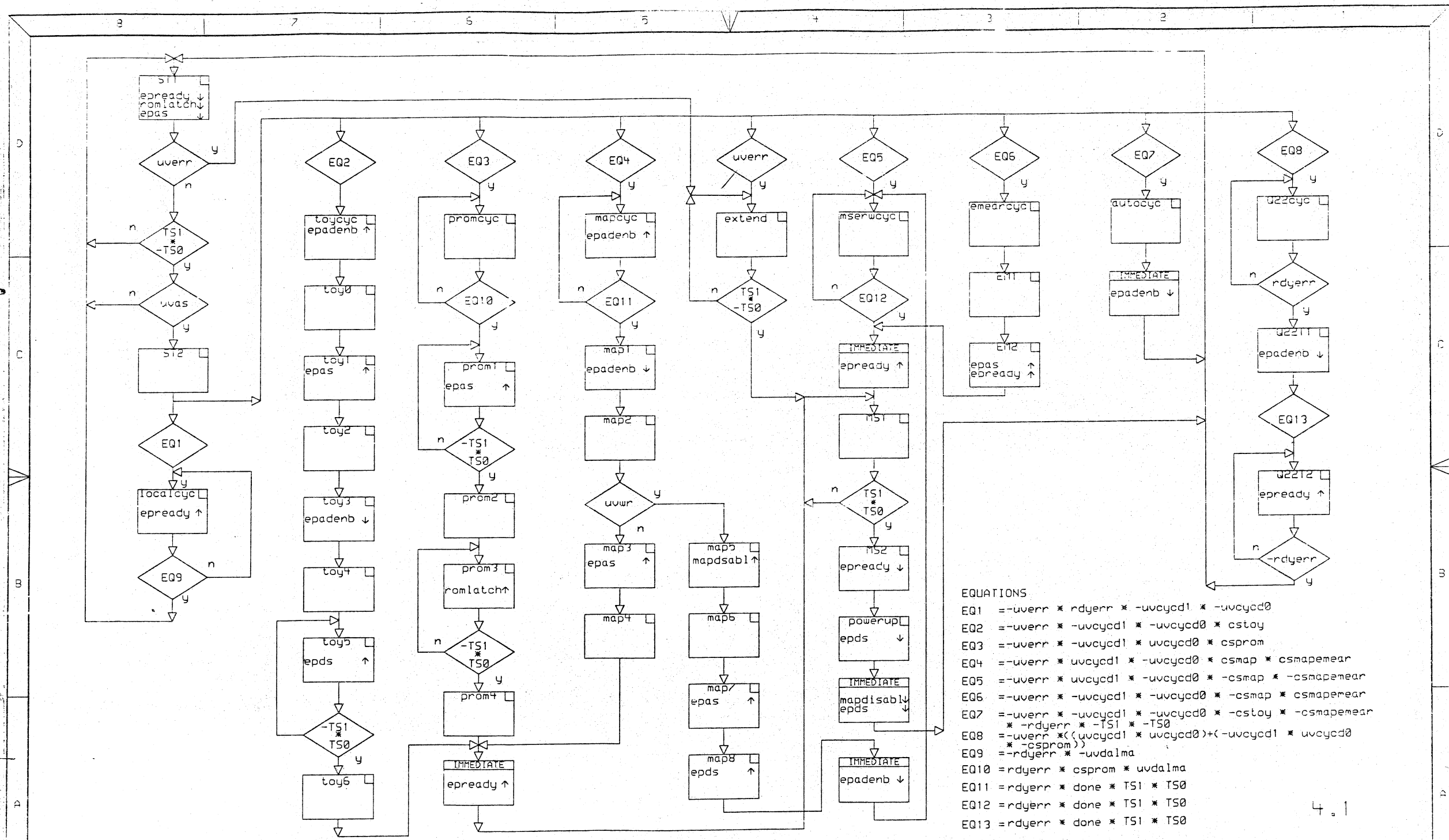
EQ17 = DRQ + TS1 \* -TS0 \* RR

DRAWING  
 NAME=MEM  
 ABBREV=MEM  
 LAST MODIFIED=Sun Dec 9 16:40:59 1984

3.2

REVISION	CHK	CHANGE NO	REV
1			

digital	DRN	BARRY MASKAS	DATE	12-09-84	TITLE:	KA630 MEMORY SYSTEM ARBITER
	CHK'D	BARRY MASKAS	DATE	12-09-84	BOARD LOCATION:	STATE FLOW DIAGRAMS
USRA:	FIRST USED ON OPTION/MODEL:	TOP DOCUMENT NUMBER:	SIZE/ CODE	D/CS	NUMBER	M7606-0-53
					REV.	B



EQUATIONS

EQ1 = -uerr \* rdyerr \* -uvcycd1 \* -uvcycd0

EQ2 = -uerr \* -uvcycd1 \* -uvcycd0 \* cstoy

EQ3 = -uerr \* -uvcycd1 \* uvcycd0 \* csrom

EQ4 = -uerr \* uvcycd1 \* -uvcycd0 \* csmap \* csmapemear

EQ5 = -uerr \* uvcycd1 \* -uvcycd0 \* -csmap \* -csmapemear

EQ6 = -uerr \* -uvcycd1 \* -uvcycd0 \* -csmap \* csmapemear

EQ7 = -uerr \* -uvcycd1 \* -uvcycd0 \* -cstoy \* -csmapemear \* -rdyerr \* -TS1 \* -TS0

EQ8 = -uerr \* ((uvcycd1 \* uvcycd0) + (-uvcycd1 \* uvcycd0 \* -csrom))

EQ9 = -rdyerr \* -uvalma

EQ10 = rdyerr \* csrom \* uvalma

EQ11 = rdyerr \* done \* TS1 \* TS0

EQ12 = rdyerr \* done \* TS1 \* TS0

EQ13 = rdyerr \* done \* TS1 \* TS0

4.1

THIS DRAWING AND SPECIFICATIONS, HEREIN, ARE THE PROPERTY OF DIGITAL EQUIPMENT CORPORATION AND SHALL NOT BE REPRODUCED OR COPIED OR USED IN WHOLE OR IN PART AS THE BASIS FOR THE MANUFACTURE OR SALE OF ITEMS WITHOUT WRITTEN PERMISSION.

COPYRIGHT 1984 DIGITAL EQUIPMENT CORPORATION

REV	TECH NUMBER	DATE
1		28-AUG-1984

DRAWING

TITLE=EPR

ABBREV=EPR

LAST+MODIFIED=Mon Oct 22 15:14:12 1984

DEFINE

X\*FIRST=0

X\*STEP=SIZE



DRN: BARRY MASKAS

CHK'D: BARRY MASKAS

DATE 28-AUG-1984

ENG: BARRY MASKAS

SHEET 1 OF 1

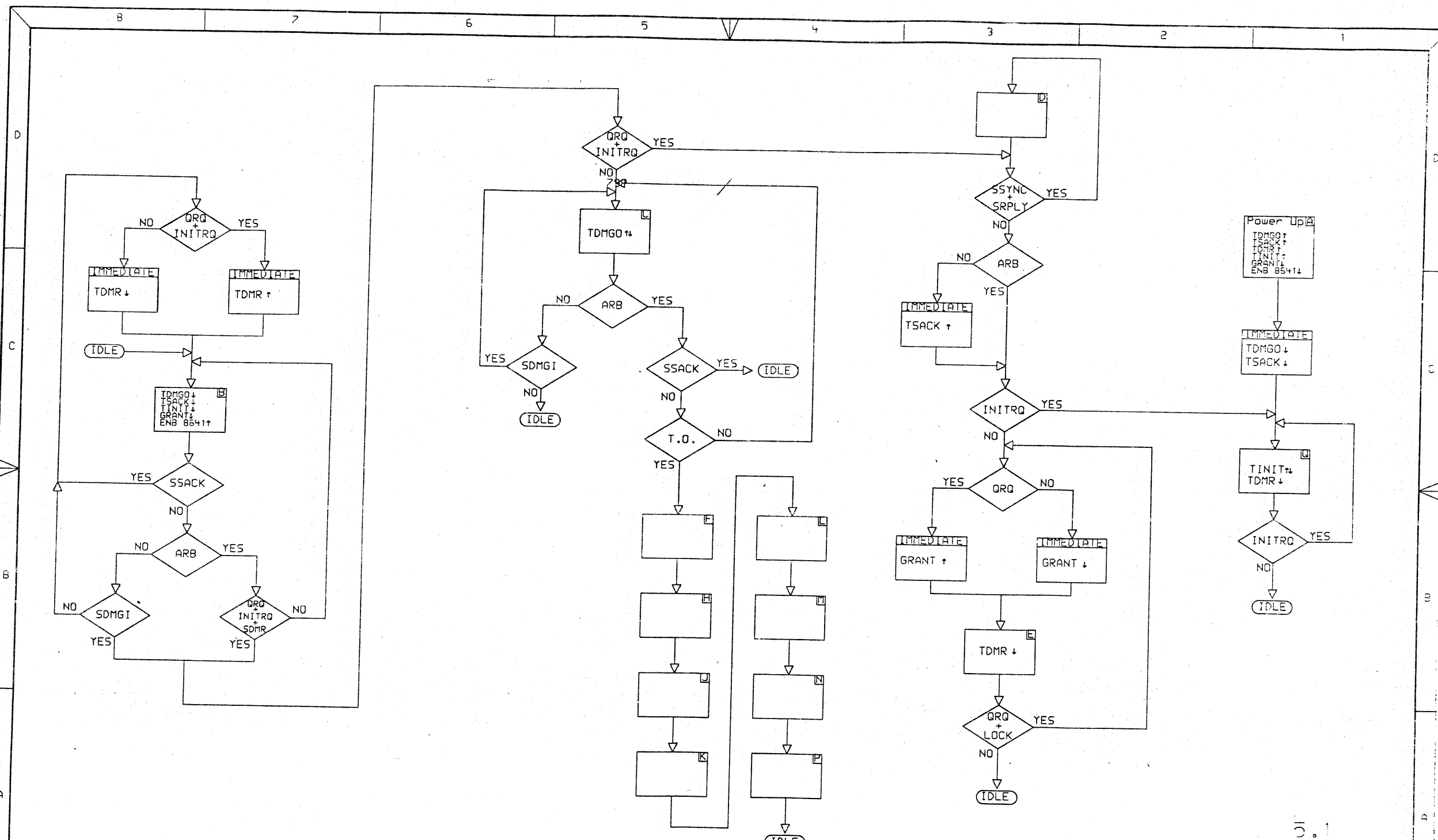
NEXT HIGHER ASSEMBLY:

DATE 28-AUG-1984

TITLE: KA630 LOCAL I/O BUS CONTROL STATE MACHINE

SIZE CODE NUMBER REV

D CS 1 M7606 -0 -53 E



\*THIS DRAWING AND SPECIFICATIONS, HEREIN, ARE THE PROPERTY OF DIGITAL EQUIPMENT CORPORATION AND SHALL NOT BE REPRODUCED OR COPIED OR USED IN WHOLE OR IN PART AS THE BASIS FOR THE MANUFACTURE OR SALE OF ITEMS WITHOUT WRITTEN PERMISSION.  
 COPYRIGHT 1984 DIGITAL EQUIPMENT CORPORATION

REVISION HISTORY		
REV	TECO NUMBER	DATE
1		

DRAWING  
 TITLE=ARB  
 ABBREV=arb  
 LAST\*MODIFIED=Mon Oct 22 15:04:38 1984

DEFINE  
 X\*FIRST=0  
 X\*STEP=SIZE  
 digital

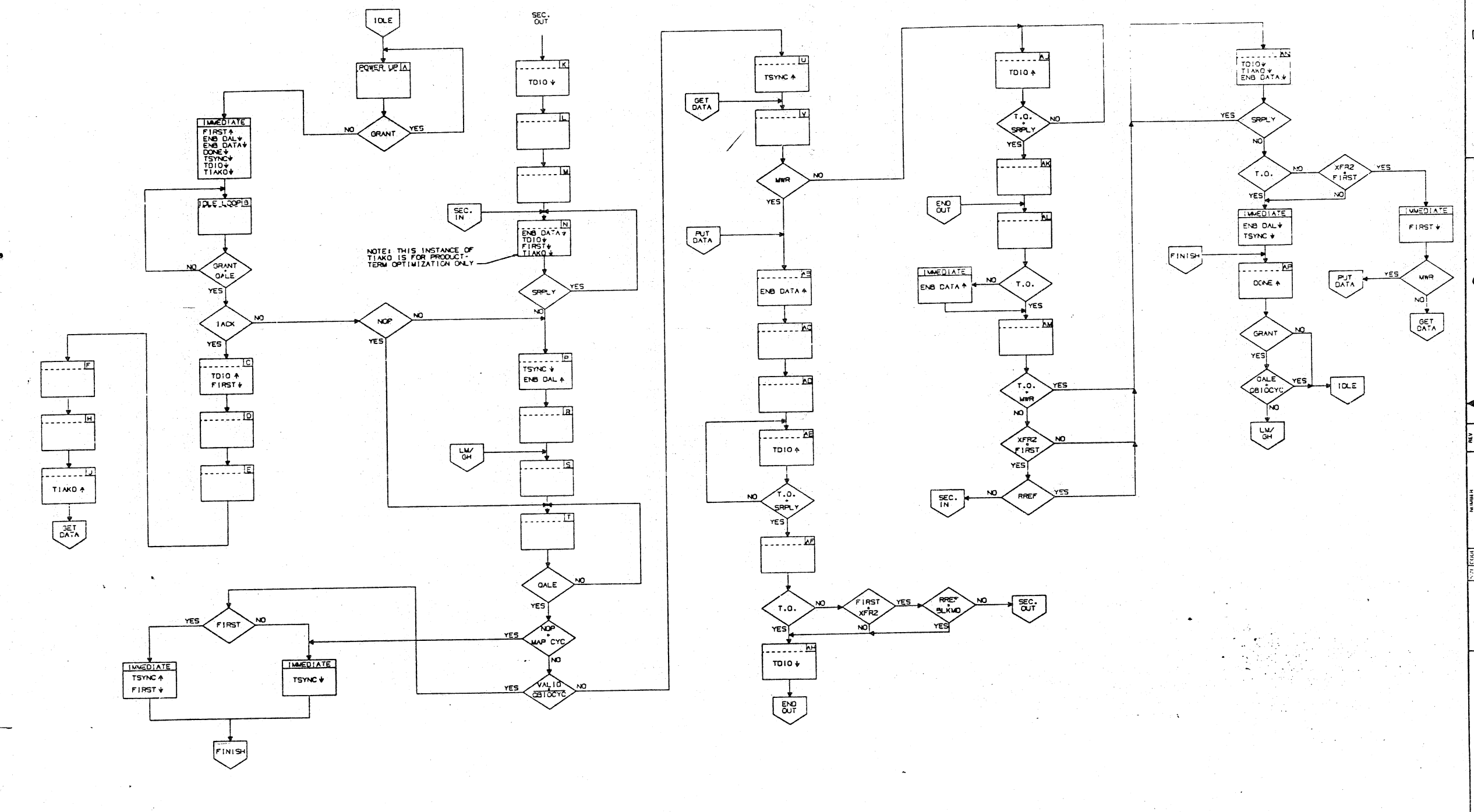
DRN: R. McNamara  
 CHK'D: R. McNamara  
 DATE: 6-Jul-84

ENG: R. McNamara  
 SHEET 1 OF 1  
 DATE: 6-Jul-84

DATE: 6-Jul-84  
 TITLE: QBUS ARBITRATION CONTROLLER  
 DETAILED CONTROL FLOW DIAGRAM  
 NEXT HIGHER ASSEMBLY:  
 SIZE CODE NUMBER REV  
 D CS M7605 -0 -57 3

THIS DRAWING AND SPECIFICATIONS HEREIN ARE THE PROPERTY OF DIGITAL EQUIPMENT CORPORATION AND SHALL NOT BE REPRODUCED OR COPIED OR TRANSMITTED IN ANY FORM OR BY ANY MEANS, ELECTRONIC OR MECHANICAL, INCLUDING PHOTOCOPYING, RECORDING, OR BY ANY INFORMATION STORAGE AND RETRIEVAL SYSTEM, WITHOUT WRITTEN PERMISSION FROM DIGITAL EQUIPMENT CORPORATION.

DCS M7606-0-59



NOTE: THIS INSTANCE OF TIAKO IS FOR PRODUCT-TERM OPTIMIZATION ONLY

REVISION HISTORY		
DATE	ECO NUMBER	REV
11/10/77	1	1

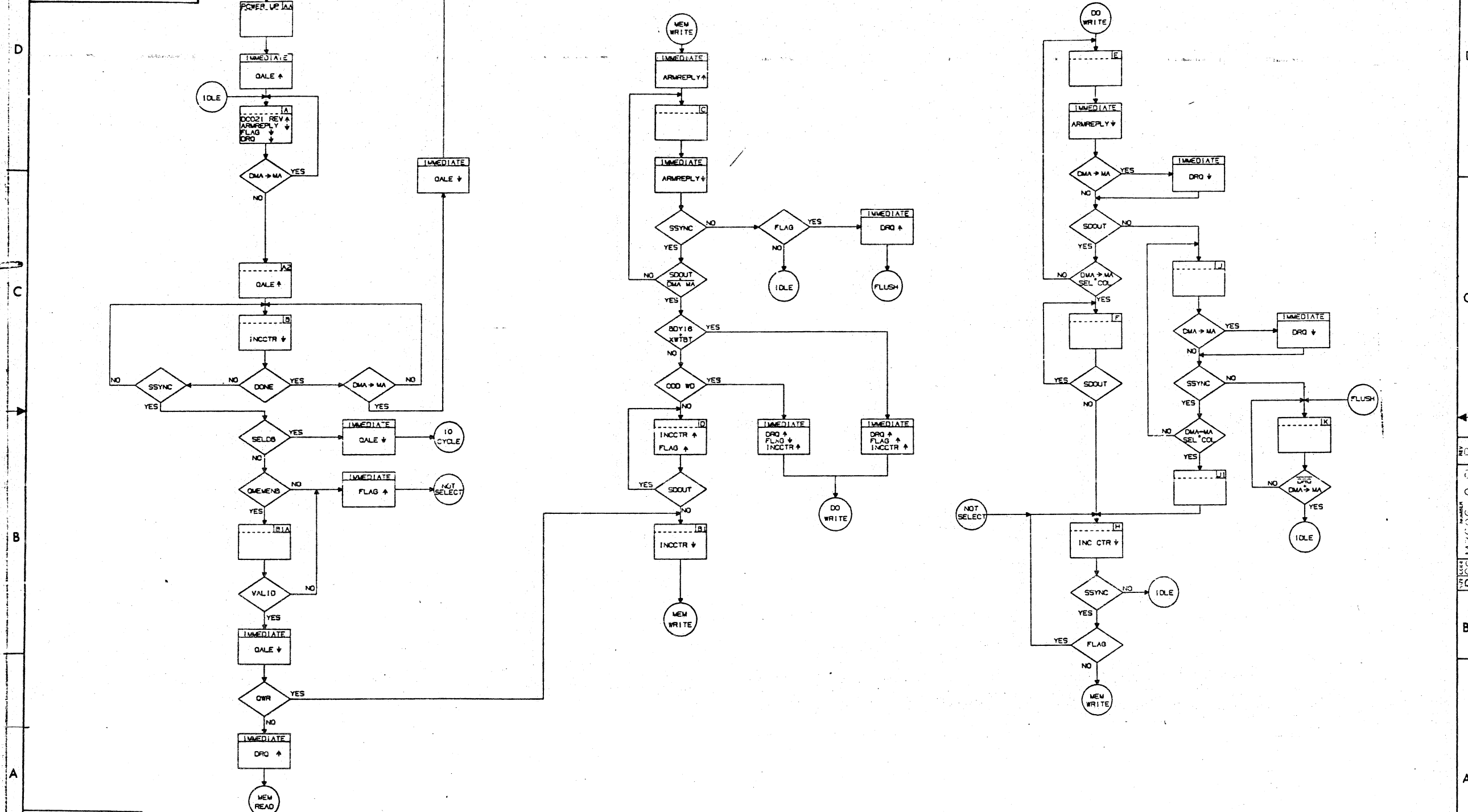
TITLE  
Q22 BUS MASTER CONTROL  
MACHINE FLOW DIAGRAM

DOCUMENT NUMBER		
SIZE CODE	NUMBER	REV
DCS	M7606-0-59	3
SCALE	SHEET	OF
1/1	1	1

DCS M7606-0-59



THIS DRAWING AND SPECIFICATIONS HEREIN ARE THE PROPERTY OF DIGITAL EQUIPMENT CORPORATION AND SHALL NOT BE REPRODUCED OR COPIED OR SET IN TYPE OR IN PART AS THE BASIS FOR THE MANUFACTURE OR SALE OF ITEMS WITHOUT WRITTEN PERMISSION. COPYRIGHT © 1984 DIGITAL EQUIPMENT CORPORATION

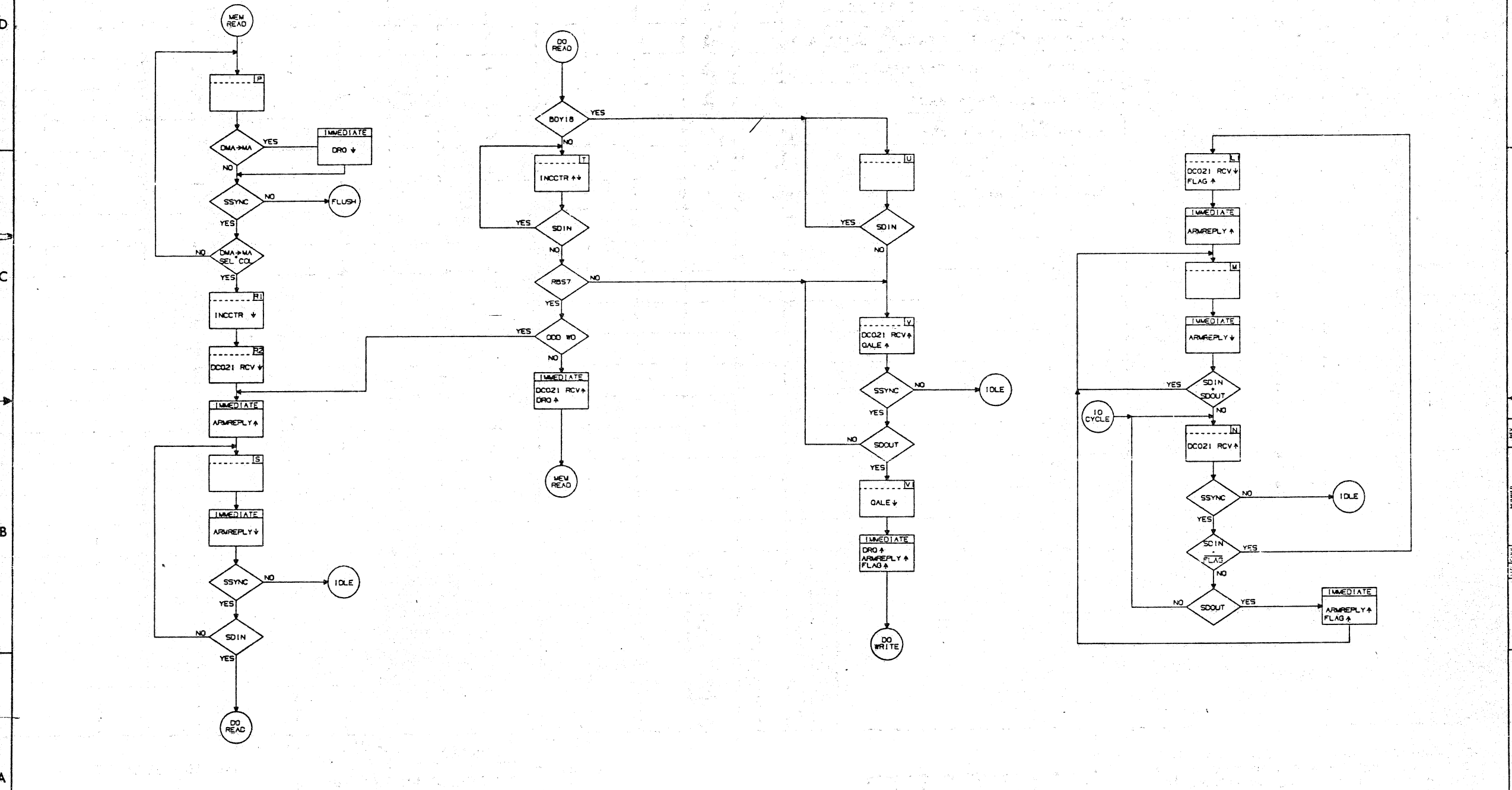


REVISION HISTORY		
DATE	ECO NUMBER	REV
11/22/84	ALPAC	1

TITLE  
Q22 BUS SLAVE CONTROL  
MACHINE FLOW DIAGRAM

DOCUMENT NUMBER		
SIZE CODE	NUMBER	REV
DCSM	M7606-0-81	E
SCALE	1/1	SHEET 1 OF 1

THIS DRAWING AND SPECIFICATIONS HEREIN ARE THE PROPERTY OF DIGITAL EQUIPMENT CORPORATION AND SHALL NOT BE REPRODUCED OR COPIED OR USED IN WHOLE OR IN PART AS THE BASIS FOR THE MANUFACTURE OR SALE OF ITEMS WITHOUT WRITTEN PERMISSION. COPYRIGHT © 1964 DIGITAL EQUIPMENT CORPORATION.



REVISION HISTORY		
DATE	ECO NUMBER	REV

DOCUMENT NUMBER		
SIZE	CODE	NUMBER
DCS	M7606-0-62	E
SCALE	1/1	SHEET 7 OF 7

DRAWING NO.	NO. OF SHTS.	PART NO.	DESCRIPTION	REVISIONS															
				A1	A1														
		5416744-01	FUNCTION SEL/SLU BOARD	A1	A1														
D-UA-5416744-0-0	1		FUNCTION SEL/SLU UNIT ASSEMBLY	A	B														
K-CS-5416744-0-1	1		FUNCTION SEL/SLU CIRCUIT SCHEMATIC	A	A														
K-PL-5416744-0-DBP	1		FUNCTION SEL/SLU PARTS LIST	A	A														
K-PC-5416744-0-DBJ			P.C. DESIGN DATA BASE	A	A														
		5016743-01	ETCHED CIRCUIT BOARD	A1	A1														
B-DD-5016743-0-0	1		DRAWING DIRECTORY	A	A														
K-CS-5416744-0-DBV			VALID DATA BASE	A	A														

**NOTES:**

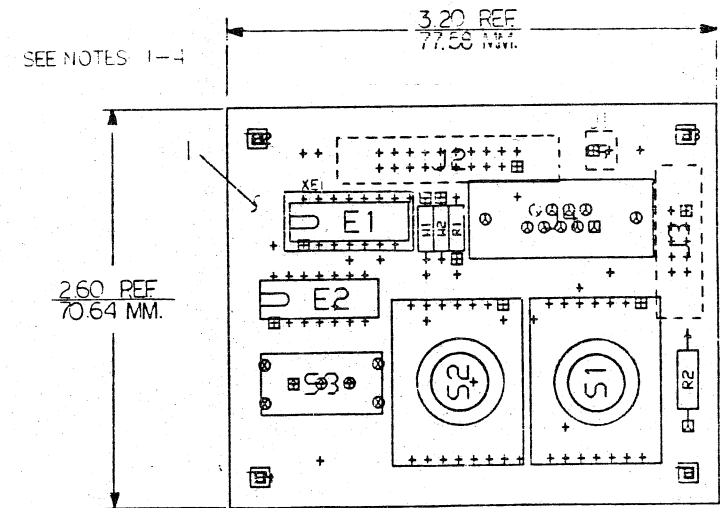
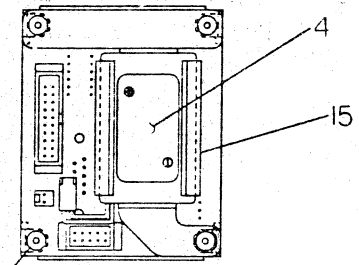
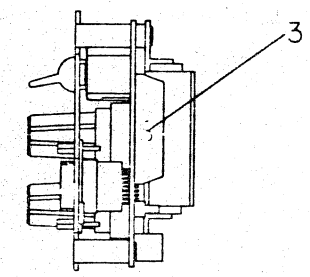
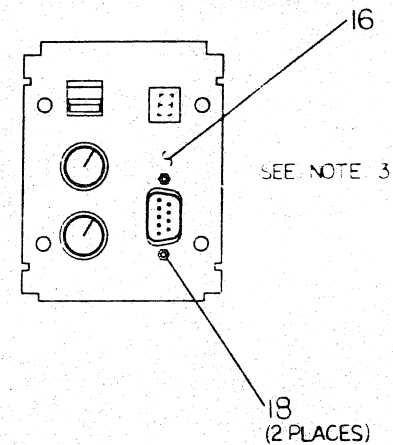
REVISION HISTORY		REV.
DATE	ECO NO.	
1/85	INIT	A
5-85	TWOOI	B

THIS DRAWING AND THE SPECIFICATIONS CONTAINED HEREIN ARE CONFIDENTIAL AND PROPRIETARY. THEY ARE THE PROPERTY OF DIGITAL EQUIPMENT CORPORATION AND SHALL NOT BE REPRODUCED OR COPIED OR USED IN WHOLE OR IN PART AS THE BASIS FOR THE MANUFACTURE OR SALE OF ITEMS WITHOUT WRITTEN PERMISSION. THIS IS AN UNPUBLISHED WORK PROTECTED UNDER THE FEDERAL COPYRIGHT LAWS. 1985



DRN. D. DROZD	DATE 1/31/85	TITLE FUNCTION SEL/SLU
CHK'D J. CUNNINGHAM	DATE 1/31/85	
DES. ENG. M. deMARE	DATE 1/31/85	DOCUMENT NUMBER
RESP. ENG. M. deMARE	DATE 1/31/85	
MFG. ENG. S. [Signature]	DATE 1/31/85	SIZE CODE NUMBER REV. B DD 5416744-0-0 B
		SHEET 1 OF 1

THIS DRAWING AND SPECIFICATIONS HEREIN ARE THE PROPERTY OF DIGITAL EQUIPMENT CORPORATION AND SHALL NOT BE REPRODUCED OR COPIED OR USED IN WHOLE OR IN PART AS THE BASIS FOR THE MANUFACTURE OR SALE OF ITEMS WITHOUT WRITTEN PERMISSION.  
 COPYRIGHT © 1985 DIGITAL EQUIPMENT CORPORATION



NOTES:  
 1. W1, W2 ARE NOT INSTALLED.  
 2. J1, J2 AND J3 ARE MOUNTED ON SIDE 2.  
 3. MOUNT J4 TO ITEM 16 WITH ITEM 18 BEFORE SOLDERING INTO ITEM 1.  
 4. TEST PANEL IN TESTER AFTER COMPLETING NOTE 3 AND BEFORE ASSEMBLY OF ITEMS 1, 15 & 16 WITH ITEM 17.

STEP	E	→ Y AXIS	STEP	TIMES
REFERT		→ X AXIS		

CHANGE NO	REV	DATE	BY	APP	DESCRIPTION
01	1	5/16/84	AW		
02	2	5/16/84	AW		
03	3	5/16/84	AW		
04	4	5/16/84	AW		
05	5	5/16/84	AW		

ETCH REV.	A1
-----------	----

SIGNATURES	DATE	TITLE	FUNCTION
DRN. DAVID DROZD		digital	
CHK'D. [Signature]			
MECH. ENG. [Signature]			
PROD. [Signature]			
SCALE 2:1			
SHT. OF			
NEXT HIGHER ASSY. B-DD-5416744-0-0		SIZE CODE	NUMBER
		0 UA	5416744-0-0
		REV	B

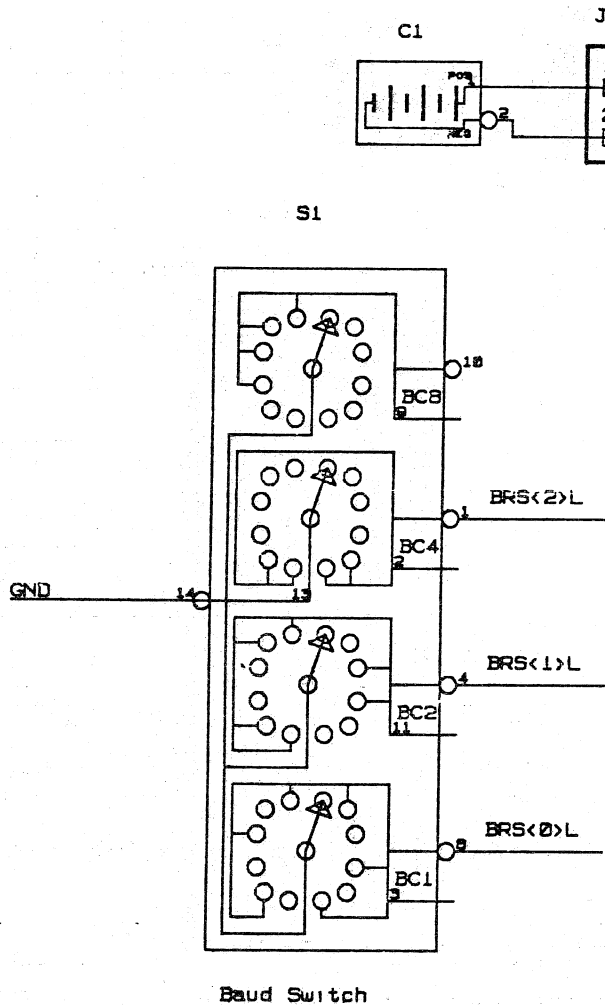
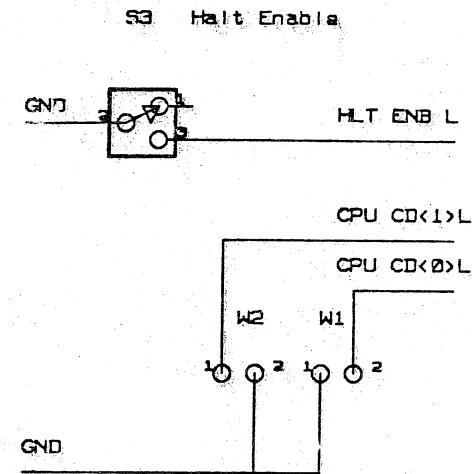
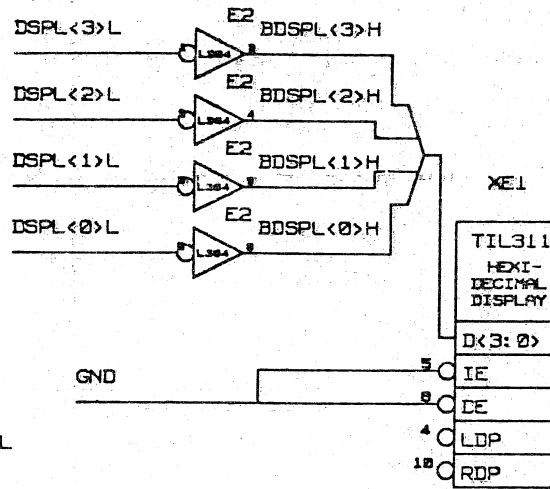
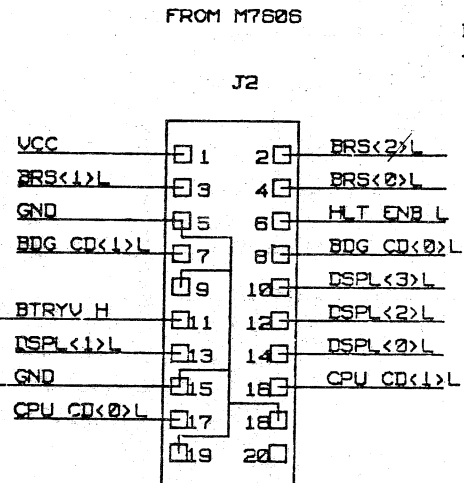
1 MS# 275-000

LINE	ITEM	TOP DOCUMENT	PART NUMBER	MIN REV	DESCRIPTION	QTY PER VARIATION	REFERENCE DESIGNATOR
					VARIATION REVISION LEVEL:	A1	
1	1	D-MD-5016743-0-0	5016743-01		CIRCUIT DRILL AND ETCH	1	
2	2		1216565-02		SKT,IC 14PIN DIP TIN ELEV	1	XE1
3	3		1217727-00		PCB,HEADER 20POS(1X20).100CC STR	1	J2
4	4		1219245-01		BATTERY,3CELL 3.75V .18MA NICAD	1	
5	5		1219251-00		PCB HEADER 02PIN(1X02).100CC STR	1	J1
6	6		1219573-05		CONN,D SUB 9PIN ASSY STR	1	J4
7	7		1219952-08		PCB HEADER 09PIN(2X05).100CC STR	1	J3
8	8		1223262-01		SW,ROT 1P08POS	1	S1
9	9		1223263-02		SW,ROT 2P03POS	1	S2
10	10		1223646-01		SW,RKR SPDT ON-OFF-ON	1	S3
11	11		1300229-00		100.0 .25 W 5.0 % CF	1	R1
12	12		1300354-00		750.0 .50 W 5.0 % CF	1	R2
13	13		1912803-00		LS04 INVERTER GATE,HEX	1	E2
14	14		1916921-00		HEXADECIMAL DISPLAY W/DECODER	1	E1
15	15		7430801-01		HOLDER,BATTERY	1	
16	16		7431737-01		PLATE,CONNECTOR	1	
17	17		9008181-01		SCREW,TAP PAN PHIL 6-	4	
18	18		9008451-01		SCREW LOCK,STANDOFF ONLY .060TH	2	

REVISION HISTORY			BASIC PART NO: 5416744		
ENG	ECO NUMBER	REV	SECTION A OF A	DRN: E. LANDRY	DATE: 01-JUN-84
---	INITIAL	A	SECTION VARIATION INDEX	CHK'D: D. DROZD	DATE: 01-JUN-84
			[A] 01	DES.ENG: M. DEMARE	DATE: 12-OCT-84
			[B]	RESP.ENG.: M. DEMARE	DATE: 12-OCT-84
			[C]	MFG.ENG.: S. WASH	DATE: 12 NOV 84
			[D]	ASSEMBLY NUMBER:	TOP DOCUMENT NUMBER:
			[E]	D-UA-5416744-0-0	D-UA-5416744-0-OP
			[F]		FILE NAME:
			[G]		ML769A.PLS
			[H]		EDIT #:
			[I]		34
			[J]		
			[K]		
			[L]		
			[M]		
			[N]		

"THIS DRAWING AND THE SPECIFICATIONS CONTAINED HEREIN ARE CONFIDENTIAL AND PROPRIETARY. THEY ARE THE PROPERTY OF DIGITAL EQUIPMENT CORPORATION AND SHALL NOT BE REPRODUCED OR COPIED OR USED IN WHOLE OR IN PART AS THE BASIS FOR THE MANUFACTURE OR SALE OF ITEMS WITHOUT WRITTEN PERMISSION. THIS IS AN UNPUBLISHED WORK PROTECTED UNDER THE FEDERAL COPYRIGHT LAWS."

FROM M7606	TO FS&SLU	FROM M7606	TO FS&SLU
J2 PIN	J2 PIN	J2 PIN	J2 PIN
1	20 GND	11	10 DSPL<3>L
2	19 GND	12	9 GND
3	18 GND	13	8 BDG CD<0>L
4	17 CPU CD<0>L	14	7 BDG CD<1>L
5	16 CPU CD<1>L	15	6 HLT ENB L
6	15 GND	16	5 GND
7	14 DSPL<0>L	17	4 BRS<0>L
8	13 DSPL<1>L	18	3 BRS<1>L
9	12 DSPL<2>L	19	2 BRS<2>L
10	11 BTRYV H	20	1 +5.0V = VCC

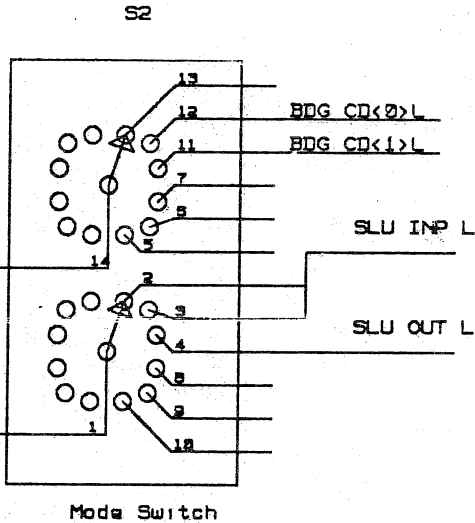
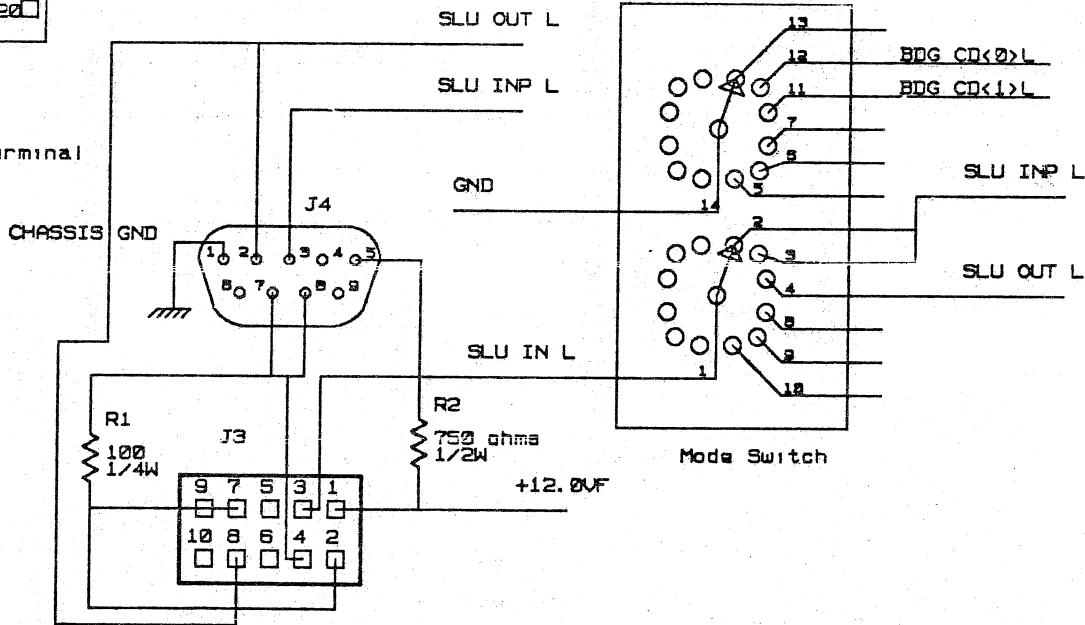


BRS<2:0>L

0 HH	300 BAUD
1 HL	600
2 HL	1200
3 HL	2400
4 LH	4800
5 LH	9600
6 LL	19200
7 LL	38400

FROM M7606 TO FS&SLU

J3 PIN	J3 PIN
1	10 BUURESET<L>
2	9 GND
3	8 SLU OUT L
4	7 GND
5	6 KEY
6	5 KEY
7	4 SLU IN H
8	3 SLU IN L
9	2 GND
10	1 +12.0V



CPU CD<1:0>L

W2	W1	FUNCTION
R	R	NORMAL
R	I	AUXILIARY 1
I	R	AUXILIARY 2
I	I	AUXILIARY 3

I=INSERTED  
R=REMOVED

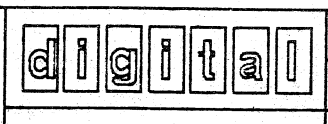
BDG CD<1:0>L

0 HH	NORMAL
1 HL	LANGUAGE INQUIRY
2 LH	SLU LOOPBACK TEST

\*THIS DRAWING AND SPECIFICATIONS, HEREIN, ARE THE PROPERTY OF DIGITAL EQUIPMENT CORPORATION AND SHALL NOT BE REPRODUCED OR COPIED OR USED IN WHOLE OR IN PART AS THE BASIS FOR THE MANUFACTURE OR SALE OF ITEMS WITHOUT WRITTEN PERMISSION.  
COPYRIGHT 1984 DIGITAL EQUIPMENT CORPORATION\*

REVISION HISTORY		
REV	ECO NUMBER	DATE

DRAWING DEFINE  
TITLE=FUNCT SEL/SLU X\_FIRST=0  
ABBREV=FSSLU X\_STEP=SIZE  
LAST\_MODIFIED=Thu Jan 31 17:20:33 1985



DRN: Malcolm de Mara  
DATE: 20-SEP-84  
CHK'D: Dave Drozd  
DATE: 20-SEP-84

ENG: Malcolm de Mara  
DATE: 20-SEP-84  
SHEET: 1 OF 1  
NEXT HIGHER ASSEMBLY:  
B-DD-5416744-0-0

SIZE	CODE	NUMBER	REV
K	CS	5416744-0-1	A

DRAWING NO.	NO. OF SHTS.	PART NO.	DESCRIPTION	REVISIONS																		
				A1	B1																	
		M9047-00	GRANT CONTINUITY	A1	B1																	
D-UA-M9047-0-0	1		GRANT CONTINUITY UNIT ASSEMBLY	A	B																	
D-CS-M9047-0-1	1		GRANT CONTINUITY SCHEMATIC	A	A																	
K-PL-M9047-0-DBP	1		GRANT CONTINUITY PARTS LIST	A	B																	
K-PC-M9047-0-DBP			P.C. DESIGN DATA BASE	A	B																	
		5016679-01	ETCHED CIRCUIT BOARD	A1	B1																	
B-DD-5016679-0-0			DRAWING DIRECTORY	A	B																	

**NOTES:**

REVISION HISTORY		REV.
DATE	ECO NO.	
11/84	INIT	A
5/85	MLO01	B

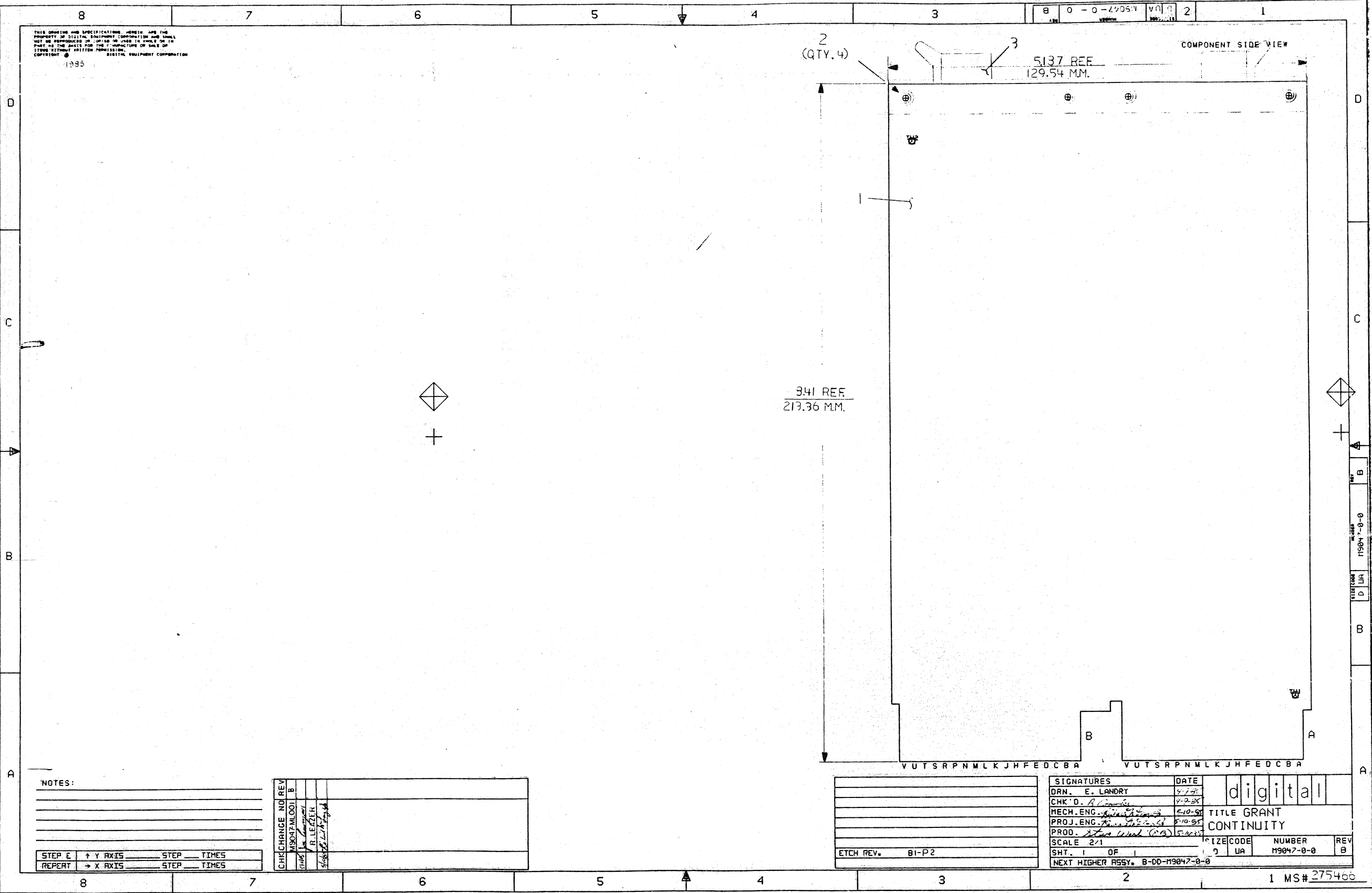
THIS DRAWING AND THE SPECIFICATIONS CONTAINED HEREIN ARE CONFIDENTIAL AND PROPRIETARY. THEY ARE THE PROPERTY OF DIGITAL EQUIPMENT CORPORATION AND SHALL NOT BE REPRODUCED OR COPIED OR USED IN WHOLE OR IN PART AS THE BASIS FOR THE MANUFACTURE OR SALE OF ITEMS WITHOUT WRITTEN PERMISSION. THIS IS AN UNPUBLISHED WORK PROTECTED UNDER THE FEDERAL COPYRIGHT LAWS. 1984



DRN. BARRY CORMIER	DATE 11/9/84	TITLE GRANT CONTINUITY	
CHK'D J. CUNNINGHAM	DATE 11/9/84	DOCUMENT NUMBER	
DES. ENG. R. LEAZER	DATE 11/14/84	SIZE B	CODE DD
RESP. ENG. R. LEAZER	DATE 11/14/84	NUMBER M9047-0-0	REV. B
MFG. ENG. A. BROOKS	DATE 11/14/84	SHEET 1 OF 1	

THIS DRAWING AND SPECIFICATIONS HEREBY ARE THE PROPERTY OF DIGITAL EQUIPMENT CORPORATION AND SHALL NOT BE REPRODUCED OR COPIED IN WHOLE OR IN PART AS THE BASIS FOR THE MANUFACTURE OR SALE OF ITEMS WITHOUT WRITTEN PERMISSION.  
 DIGITAL EQUIPMENT CORPORATION  
 1985

0-0-27054 v11.1 2



NOTES:

STEP	E	↑ Y AXIS	STEP	TIMES
REPERT		→ X AXIS	STEP	TIMES

CHANGE NO	REV	DATE	BY	REASON
M9047M001	B			
			R. LEVIER	

ETCH REV.	B1-P2
-----------	-------

SIGNATURES		DATE	TITLE	
DRN.	E. LANDRY	5-2-85	digital	
CHK'D.	R. LEVIER	5-2-85	TITLE GRANT	
MECH. ENG.		5-10-85	CONTINUITY	
PROJ. ENG.		5-10-85		
PROJ. MGR.				
SCALE	2/1		SIZE	CODE
SHT.	1 OF 1		NUMBER	REV
NEXT HIGHER ASSY.	B-00-M9047-0-0		M9047-0-0	B

1 MS# 275400



8 6 5 4 3 2 1

THIS DRAWING AND SPECIFICATIONS HEREIN ARE THE PROPERTY OF DIGITAL EQUIPMENT CORPORATION AND SHALL NOT BE REPRODUCED OR COPIED OR USED IN WHOLE OR IN PART AS THE BASIS FOR THE MANUFACTURE OR SALE OF ITEMS WITHOUT WRITTEN PERMISSION. COPYRIGHT © 1985 DIGITAL EQUIPMENT CORPORATION

SIZE CODE DCS M9047-0-1 A

DATE	ECO NUMBER	REV.

AM2  
 AN2  
 AR2  
 AS2

DRW. <i>David Day</i>	DATE 2-26-85	TITLE <b>digital</b>
CHKD. <i>Ed Conley</i>	DATE 2-27-85	<b>GRANT CONTINUITY</b>
DESIGN. <i>Berry Markes</i>	DATE 2-27-85	
RESP. <i>Berry Markes</i>	DATE 2-27-85	DOCUMENT NUMBER
DATE <i>2-27-85</i>	SCALE	SIZE CODE DCS M9047-0-1 A
B-DD-M9047-0-0		SHEET 1 OF 1

8 7 6 5 4 3 2 1

D  
C  
B  
A

LINE ITEM	TOP DOCUMENT	PART NUMBER	MIN REV	DESCRIPTION	VARIATION REVISION LEVEL:	QTY PER VARIATION	
						01	02
1	1	A-PS-1700313-0-0	1700313-01	A	CABLE ASSY,06 COND,MOLD,SHLD	2	1 -
2	2	A-PS-4700042-0-0	4700042-01		SCREWDRIVER,FLAT BLADE 0.12 X 2.		1 1
3	3	A-PS-3622092-0-0	3622092-01	A	LABEL,LCP5 CONFIGURATION		1 1
4	4	A-PS-9907349-0-0	9907349-01	A	CARTON,DIECUT,C,200PSI,W/GRAPHIC		1 1
5	5	B-DD-M9047-0	M9047-00		QBUS GRANT CONTINUITY,1ST USED I		1 1
6	6	A-PS-1700301-0-0	1700301-00	A	CABLE ASSY,07 COND,MOLD,SHLD	2	- 1
7	7	A-PS-3624251-0-0	3624251-01	A	LABEL,FRONT CONTROL PANEL BA123		1 1

REVISION HISTORY			BASIC PART NO: 7022382			DRN: D. HEALY		DATE: 05-DEC-84		D I G I T A L			
ENG	ECO NUMBER	REV	SECTION A OF A			CHK'D: D. HEALY		DATE: 08-MAR-85		TITLE PARTS LIST BA123-A ACCESSORY KIT			
---	INITIAL	A	SECTION VARIATION INDEX [A]01,02			DES.ENG: J. KWONG		DATE: 08-MAR-85		DOCUMENT NUMBER			
			[B]			RESP.ENG.: J. KWONG		DATE: 08-MAR-85		SIZE	CODE	NUMBER	REV
			[C]			MFG.ENG.: J. EDWARDS		DATE: 08-MAR-85		K	PL	7022382-0-DBP	A
			[D]			ASSEMBLY NUMBER:		TOP DOCUMENT NUMBER:		RELEASE DATE: 26-MAR-85			
			[E]							FILE NAME:		EDIT #	
			[F]							ML755A.PLS		4	

"THIS DRAWING AND THE SPECIFICATIONS CONTAINED HEREIN ARE CONFIDENTIAL AND PROPRIETARY. THEY ARE THE PROPERTY OF DIGITAL EQUIPMENT CORPORATION AND SHALL NOT BE REPRODUCED OR COPIED OR USED IN WHOLE OR IN PART AS THE BASIS FOR THE MANUFACTURE OR SALE OF ITEMS WITHOUT WRITTEN PERMISSION. THIS IS AN UNPUBLISHED WORK PROTECTED UNDER THE FEDERAL COPYRIGHT LAWS."

" THE MATERIAL HEREIN IS FOR INFORMATION PURPOSES ONLY AND IS SUBJECT TO CHANGE WITHOUT NOTICE. DIGITAL EQUIPMENT CORPORATION ASSUMES NO RESPONSIBILITY FOR ANY ERRORS WHICH MAY APPEAR HEREIN."

FIELD MAINTENANCE PRINT SET

" THIS DRAWING AND SPECIFICATIONS, HEREIN, ARE THE PROPERTY OF DIGITAL EQUIPMENT CORPORATION AND SHALL NOT BE REPRODUCED OR COPIED OR USED IN WHOLE OR IN PART AS THE BASIS FOR THE MANUFACTURE OR SALE OF ITEMS WITHOUT WRITTEN PERMISSION." COPYRIGHT © 1985 DIGITAL EQUIPMENT CORPORATION.

TABLE OF CONTENTS

B-TC-7022380-0-DBU	BA123-A BASIC ENCLOSURE (TC)
D-AD-7022380-0-DBU	BA123-A BASIC ENCLOSURE
K-PL-7022380-0-DBP	BA123-A BASIC ENCLOSURE (PL)
B-DD-7022380-0-DBU	BA123-A BASIC ENCLOSURE (DD ONLY)
D-AR-7022380-0-DBU	BA123-A SYSTEM ARRANGEMENT
B-DD-5417507-0-0	QBUS BACKPLANE 13 SLOTS QUAD (DD)
K-PL-5417507-0-DBP	QBUS BACKPLANE 13 SLOTS QUAD
D-UA-5417507-0-0	QBUS BACKPLANE 13 SLOTS QUAD
D-CS-5417507-0-1	QBUS BACKPLANE 13 SLOTS QUAD
B-DD-5416596-0-0	BA123-A FRONT PANEL (DD ONLY)
K-PL-5416596-0-DBP	BA123-A FRONT PANEL
D-UA-5416596-0-DBU	BA123-A FRONT PANEL
D-CS-5416596-0-1	BA123-A FRONT PANEL
B-DD-5416665-0-0	REMOTE SENSE TEMP (DD ONLY)
K-PL-5416665-0-DBP	REMOTE SENSE TEMP
D-UA-5416665-0-0	REMOTE SENSE TEMP
D-CS-5416665-0-1	REMOTE SENSE TEMP
A-PS-1700859-0-0	CABLE, ASSY AC ON/OFF PWR
A-PS-1700865-0-0	CABLE, 18 COND P.S. TO BACK PNL
A-PS-1700942-0-0	CABLE ASSY, FAN DOOR INTERLOCK
A-PS-1700863-0-0	CABLE, P.S. TO CC FAN & SENSOR
A-PS-1700860-0-0	CABLE, ASSY, CONSOLE BACKPLANE
A-PS-1700870-0-0	CABLE, PS TO 2 DRIVES
A-PS-1700911-0-0	CABLE, PS TO 3 DRIVES
A-PS-1700083-0-0	US LINE CORD
A-PS-3023616-0-0	P.S. 460W (H7260)

UNIT VARIATIONS COVERED BY THIS PRINT SET

7022380-A2  
7022380-A3

7022380  
FIELD MAINTENANCE  
PRINT SET

DIGITAL EQUIPMENT  
CORPORATION

PRINT SET PART  
NUMBER MP-02049-01  
REV A1

FILE NAME: TC7022380-0-DBUA

REVISION HISTORY	REV.	A	DRN.	D. HEALY	DATE	29 NOV 84	TITLE	 BA123-A BASIC ENCLOSURE		
	ECO NUMBER		CHK'D	D. HEALY	DATE	08 MAR 85				
	INITIAL		DES. ENG.	J. KWONG	DATE	08 MAR 85				
			RESP. ENG.	J. KWONG	DATE	08 MAR 85				
	DATE		FIELD SERVICE	J. EVANS	DATE	08 MAR 85	SIZE CODE	B TC	NUMBER	7022380-0-DBU
			TOP DOC.	B-DD-7022380-0-DBU			REV.	A		

SHEET 1 OF 1

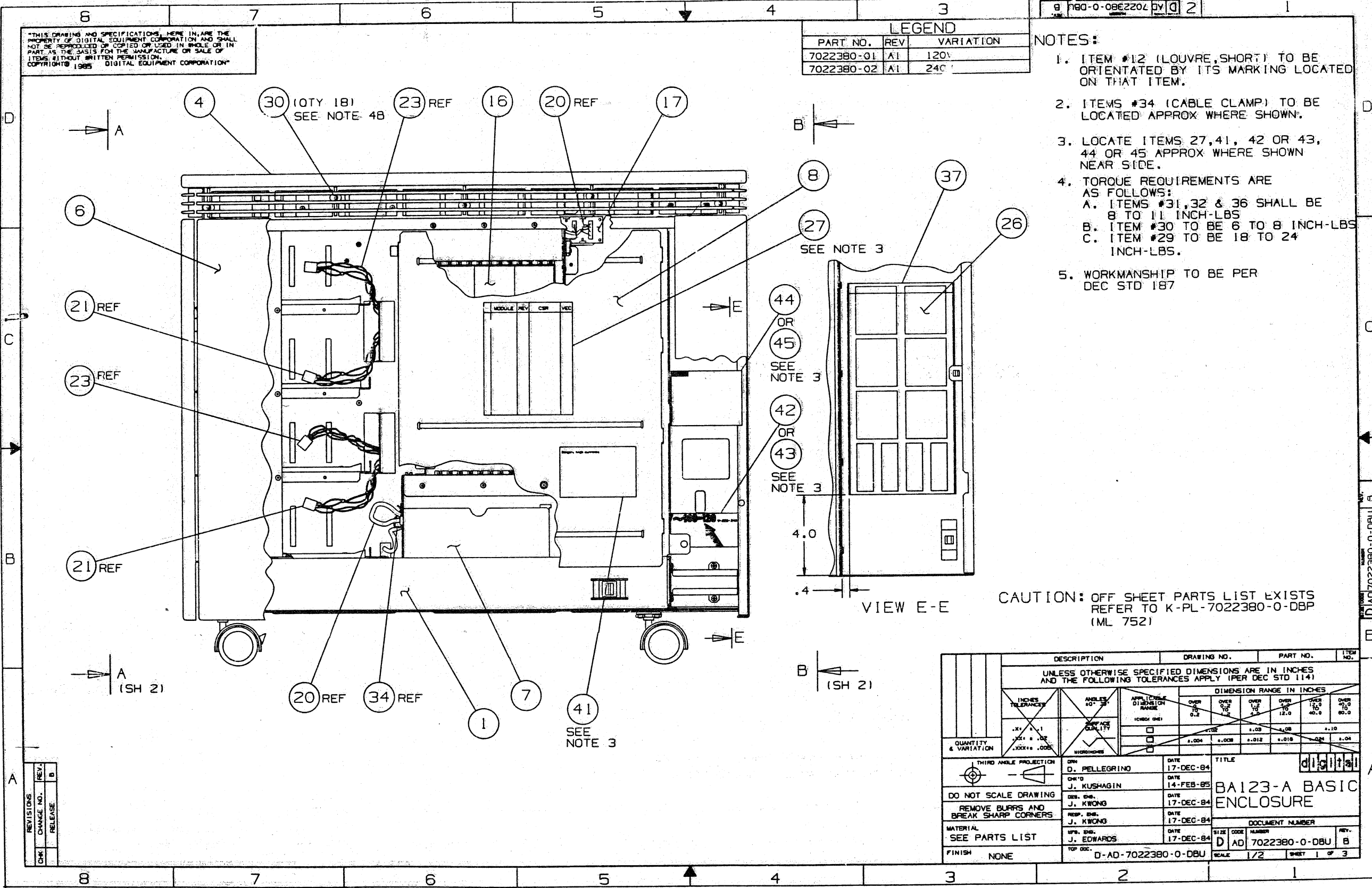
MLO 1

REV. A  
 NUMBER 7022380-0-DBU  
 SIZE CODE B TC

"THIS DRAWING AND SPECIFICATIONS HEREIN ARE THE PROPERTY OF DIGITAL EQUIPMENT CORPORATION AND SHALL NOT BE REPRODUCED OR COPIED OR USED IN WHOLE OR IN PART AS THE BASIS FOR THE MANUFACTURE OR SALE OF ITEMS WITHOUT WRITTEN PERMISSION. COPYRIGHT © 1985 DIGITAL EQUIPMENT CORPORATION"

LEGEND		
PART NO.	REV	VARIATION
7022380-01	A1	120V
7022380-02	A1	240V

- NOTES:
- ITEM #12 (LOUVRE, SHORT) TO BE ORIENTATED BY ITS MARKING LOCATED ON THAT ITEM.
  - ITEMS #34 (CABLE CLAMP) TO BE LOCATED APPROX WHERE SHOWN.
  - LOCATE ITEMS 27, 41, 42 OR 43, 44 OR 45 APPROX WHERE SHOWN NEAR SIDE.
  - TORQUE REQUIREMENTS ARE AS FOLLOWS:
    - ITEMS #31, 32 & 36 SHALL BE 8 TO 11 INCH-LBS
    - ITEM #30 TO BE 6 TO 8 INCH-LBS
    - ITEM #29 TO BE 18 TO 24 INCH-LBS.
  - WORKMANSHIP TO BE PER DEC STD 187



- 44 OR 45 SEE NOTE 3
- 42 OR 43 SEE NOTE 3

VIEW E-E

CAUTION: OFF SHEET PARTS LIST EXISTS REFER TO K-PL-7022380-0-DBP (ML 752)

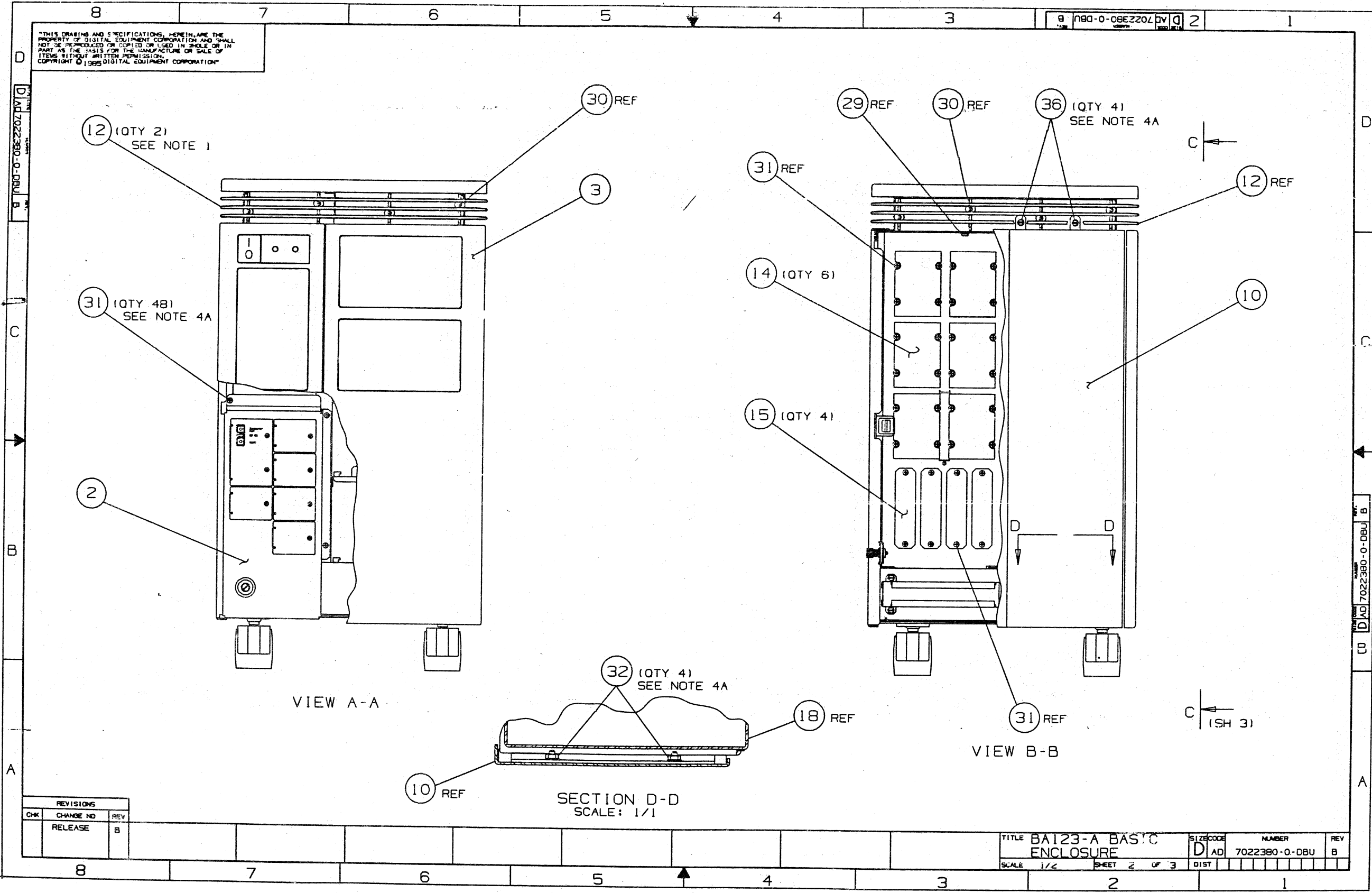
REV	CHANGE NO.	RELEASE

DESCRIPTION	DRAWING NO.	PART NO.	ITEM NO.
UNLESS OTHERWISE SPECIFIED DIMENSIONS ARE IN INCHES AND THE FOLLOWING TOLERANCES APPLY (PER DEC STD 114)			
INCHES TOLERANCES	ANGLES 90° ± 30'	APPLICABLE DIMENSION RANGE	
		INCHES	MICROINCHES
QUANTITY & VARIATION	THIRD ANGLE PROJECTION	DIMENSION RANGE IN INCHES	
		OVER TO	UNDER TO
DO NOT SCALE DRAWING	REMOVE BURRS AND BREAK SHARP CORNERS	MATERIAL	
		SEE PARTS LIST	
FINISH NONE	D-AD-7022380-0-DBU	DOCUMENT NUMBER	
		D AD 7022380-0-DBU B	

BA123-A BASIC ENCLOSURE

SCALE 1/2 SHEET 1 OF 3

"THIS DRAWING AND SPECIFICATIONS, HEREIN, ARE THE PROPERTY OF DIGITAL EQUIPMENT CORPORATION AND SHALL NOT BE REPRODUCED OR COPIED OR USED IN WHOLE OR IN PART AS THE BASIS FOR THE MANUFACTURE OR SALE OF ITEMS WITHOUT WRITTEN PERMISSION. COPYRIGHT © 1995 DIGITAL EQUIPMENT CORPORATION"

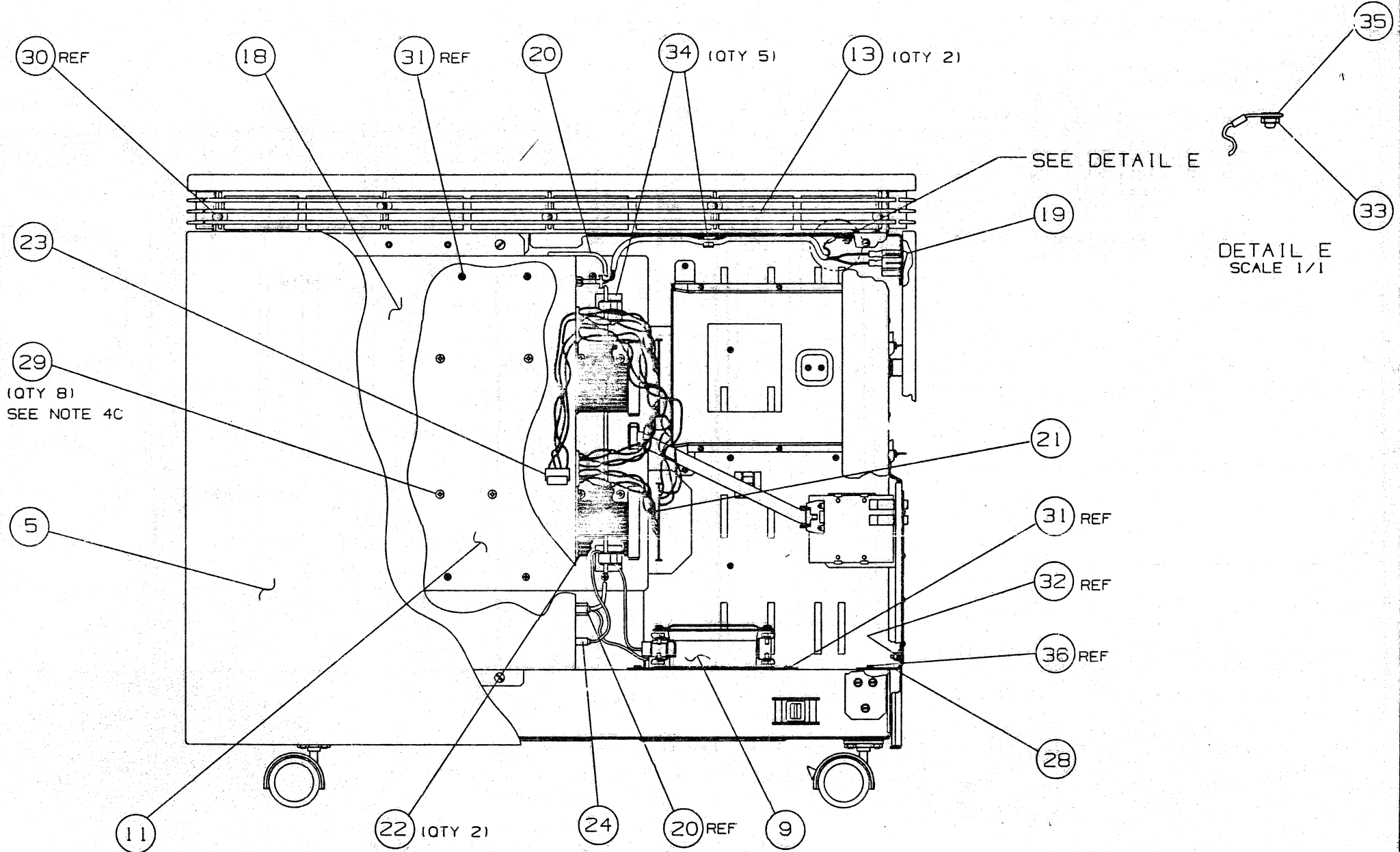


REVISIONS		
CHK	CHANGE NO	REV
	RELEASE	B

TITLE	BA123-A BASIC ENCLOSURE	SIZE CODE	D1AD	NUMBER	7022380-0-DBU	REV	B
SCALE	1/2	SHEET	2 OF 3	DIST			

THIS DRAWING AND SPECIFICATIONS, HEREIN, ARE THE PROPERTY OF DIGITAL EQUIPMENT CORPORATION AND SHALL NOT BE REPRODUCED OR COPIED OR USED IN WHOLE OR IN PART AS THE BASIS FOR THE MANUFACTURE OR SALE OF ITEMS WITHOUT WRITTEN PERMISSION. COPYRIGHT © 1965 DIGITAL EQUIPMENT CORPORATION

7022380-0-DBU 2



VIEW C-C

REVISIONS		
CHK	CHANGE NO	REV.
RELEASE		B

TITLE	BA123-A BASIC ENCLOSURE	SIZE/CD	D/AD	NUMBER	7022380-0-DBU	REV	B
SCALE	1/2	SHEET	3	OF	3	DIST	

LINE	ITEM	TOP DOCUMENT	PART NUMBER	MIN REV DESCRIPTION	QTY PER VARIATION	
					01	02
				VARIATION REVISION LEVEL:	A1	A1
1	1	D-AD-7021991-0-DBU	7021991-01	FRAME ASSEMBLY	1	1
2	2	C-AD-7021996-0-DBU	7021996-01	CONTROL PANEL ASSY.	1	1
3	3	D-AD-7021997-0-DBU	7021997-01	PANEL COVER FRONT DISK ASSY	1	1
4	4	D-AD-7021999-0-DBU	7021999-01	TOP COVER ASSY.	1	1
5	5	D-AD-7022000-0-DBU	7022000-01	SIDE PANEL ASSY L/H	1	1
6	6	D-AD-7022001-0-DBU	7022001-01	SIDE PANEL ASSY R/H	1	1
7	7	D-AD-7022003-0-DBU	7022003-01	FAN MOUNT CARD CAGE ASSY.	1	1
8	8	D-IA-7022006-0-DBU	7022006-01	COVER FRONT CARD CAGE ASSY.	1	1
9	9	D-AD-7022296-0-DBU	7022296-01	FAN MOUNT MASS STORAGE ASSY	1	1
10	10	D-AD-7022339-0-DBU	7022339-01	DOOR, REAR ASSY.	1	1
11	11	D-IA-7430692-0-DBU	7430692-01	COVER, REAR, CARD CAGE	1	1
12	12	D-MD-7430709-0-DBU	7430709-01	LOUVRE, SHORT	2	2
13	13	D-MD-7430710-0-DBU	7430710-01	LOUVRE, LONG	2	2
14	14	C-IA-7427574-0-0	7427574-01	PLATE, COVER	6	6
15	15	B-MD-7428683-0-DBU	7428683-01	PLATE, CONNECTOR BLANK	4	4
16	16	E-UA-5417507-0-DBU	5417507-01	QBUS BACKPLANE, 13 SLOTS, QUAD	1	1
17	17	D-UA-5416665-0-DBU	5416665-01	REMOTE SENSE OF TEMPERATURE FOR	1	1
18	18	D-PS-3023616-0-DBU	3023616-01	P.S. 460W 2DC REGULATOR BDS, FAN	1	1
19	19	A-PS-1700859-0-0	1700859-01	CABLE ASSY, AC, ON/OFF POWER	1	1
20	20	A-PS-1700863-0-0	1700863-01	CABLE ASSY, FAN	1	1
21	21	A-PS-1700870-0-0	1700870-01	CABLE ASSY, DC POWER DRIVE	1	1
22	22	A-PS-1700865-0-0	1700865-01	CABLE ASSY, 18COND	2	2
23	23	A-PS-1700911-0-0	1700911-01	CABLE ASSY, 9POS POWER DRIVE	1	1
24	24	A-PS-1700864-0-0	1700864-01	CABLE ASSY, FAN	1	1
25	25	A-PA-3700821-0-0	3700821-01	PKG COMPUTER, BA123 CUSTOMER	1	1
26	26	A-PS-3624253-0-0	3624253-01	LABEL, I/O, BULKHEAD	1	1
27	27	A-PS-3624254-0-0	3624254-01	LABEL, MU BUSINESS COMPUTER	1	1
28	28	C-MD-7431225-0-DBU	7431225-01	BRACKET, CONTROL PANEL	1	1
29	29		9010174-01	SCREW, SEMS PAN PHIL	8-	8 8
30	30		9000055-01	SCREW, THD RL, PAN POZI F/METL	4	18 18

REVISION HISTORY			BASIC PART NO: 7022380		
ENG	ECO NUMBER	REV	SECTION A OF A	DRN: S. STEFANICK	DATE: 18-DEC-84
---	INITIAL	B	SECTION VARIATION INDEX [A]01,02	CHK'D: J. KUSHAGIN	DATE: 13-FEB-85
			[B]	DES. ENG: J. KWONG	DATE: 18-DEC-84
			[C]	RESP. ENG.: J. KWONG	DATE: 18-DEC-84
			[D]	MFG. ENG.: J. EDWARDS	DATE: 18-DEC-84
			[E]		
			[F]		
			ASSEMBLY NUMBER: B-DD-7022380-0-DBU	TOP DOCUMENT NUMBER: B-DD-7022380-0-DBU	FILE NAME: ML752B.PLS
					RELEASE DATE: 06-MAR-85
					EDIT #: 23

"THIS DRAWING AND THE SPECIFICATIONS CONTAINED HEREIN ARE CONFIDENTIAL AND PROPRIETARY. THEY ARE THE PROPERTY OF DIGITAL EQUIPMENT CORPORATION AND SHALL NOT BE REPRODUCED OR COPIED OR USED IN WHOLE OR IN PART AS THE BASIS FOR THE MANUFACTURE OR SALE OF ITEMS WITHOUT WRITTEN PERMISSION. THIS IS AN UNPUBLISHED WORK PROTECTED UNDER THE FEDERAL COPYRIGHT LAWS."

PARTS LIST

LINE	ITEM	TOP DOCUMENT	PART NUMBER	MIN REV	DESCRIPTION	VARIATION	REVISION LEVEL	QTY	PER	VARIATION
								01	02	
								A1	A1	
31	31		9009701-00		SCREW,SEMS PAN PHIL	6-		48	48	
32	32		9006560-00		NUT,HEX EXT TOOTH LCKWSHR	6-32		4	4	
33	33		9007651-00		WASHER,LOCK EXTERNAL STEEL			1	1	
34	34		9010016-00		CLAMP,CABLE, ADH BACK			5	5	
35	35		9006565-00		NUT,HEX EXT TOOTH LCKWSHR	10-32		1	1	
36	36		9010075-03		SCREW,TAP HEXWW THD RL	6-		4	4	
37	37		9907588-01		ENVELOPE,CLEAR ADH BACK			1	1	
38	38	D-AR-7022380-0-DBU			BA123-A SYSTEM ARRANGEMENT			REF	REF	
39	39	K-SP-BA123-A-DBF			ENG. SPEC BA123-A			REF	REF	
40	40		1700083-00		PWR CORD,TERM 3-14 SJT	125		1	-	
41	41		3615087-04		LABEL,"DANGER-HIGH CURRENT"			1	1	
42	42		3617905-16		LABEL,WARNING EQUIP. RATING,100-			1	-	
43	43		3617905-17		LABEL,WARNING EQUIP. RATING,220-			-	1	
44	44	A-PS-3624471-0-0	3624471-01		LABEL,BUSINESS COMP BA123-A2			1	-	
45	45	A-PS-3624471-0-0	3624471-02		LABEL,BUSINESS COMP BA123-A3			-	1	

46 NOTE: ITEMS #25 AND #40 NOT SHOWN ON FIELD OF DWG.

D	I	G	I	T	A	L	TITLE	SECTION A	OF A	SIZE	CODE	DOCUMENT NUMBER	REV
							BA123-A BASIC ENCLOSURE			K	PL	7022380-0-DBP	B



\* THE MATERIAL HEREIN IS FOR INFORMATION PURPOSES ONLY AND IS SUBJECT TO CHANGE WITHOUT NOTICE. DIGITAL EQUIPMENT CORPORATION ASSUMES NO RESPONSIBILITY FOR ANY ERRORS WHICH MAY APPEAR HEREIN.\*

## DRAWING DIRECTORY

\* THIS DRAWING AND SPECIFICATIONS, HEREIN, ARE THE PROPERTY OF DIGITAL EQUIPMENT CORPORATION AND SHALL NOT BE REPRODUCED OR COPIED OR USED IN WHOLE OR IN PART AS THE BASIS FOR THE MANUFACTURE OR SALE OF ITEMS WITHOUT WRITTEN PERMISSION.\* COPYRIGHT © 1985 DIGITAL EQUIPMENT CORPORATION.

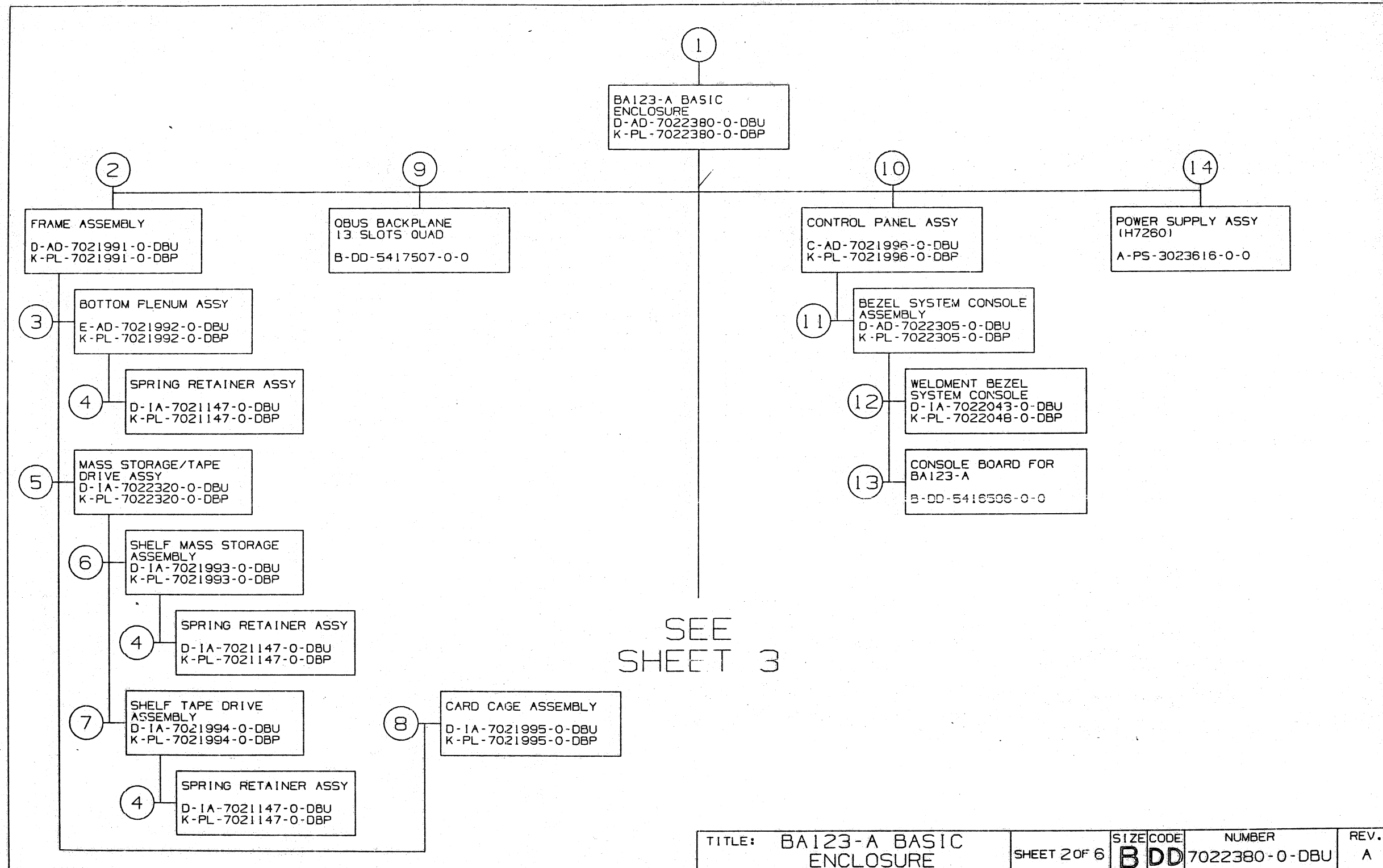
### UNIT VARIATIONS

VAR	TITLE
7022380-01	BA123-A BASIC ENCLOSURE (120 V)
7022380-02	BA123-A BASIC ENCLOSURE (240 V)

FILE NAME: DD7022380-0-DBUA

REVISIONS	CHANGE NO.	REV.	INITIAL		USED ON OPTION/MODEL	DRN.	DATE	TITLE  <div style="border: 1px solid black; padding: 2px; display: inline-block;">digital</div>
	A							
CHK								
					1730B-C2	D. HEALY	29 NOV 84	BA123-A BASIC ENCLOSURE
					1730B-C3	D. HEALY	08MAR85	
						J. KWONG	08MAR85	
						J. EDWARDS	08MAR85	
								SIZE CODE
								NUMBER
								REV.

MLO1

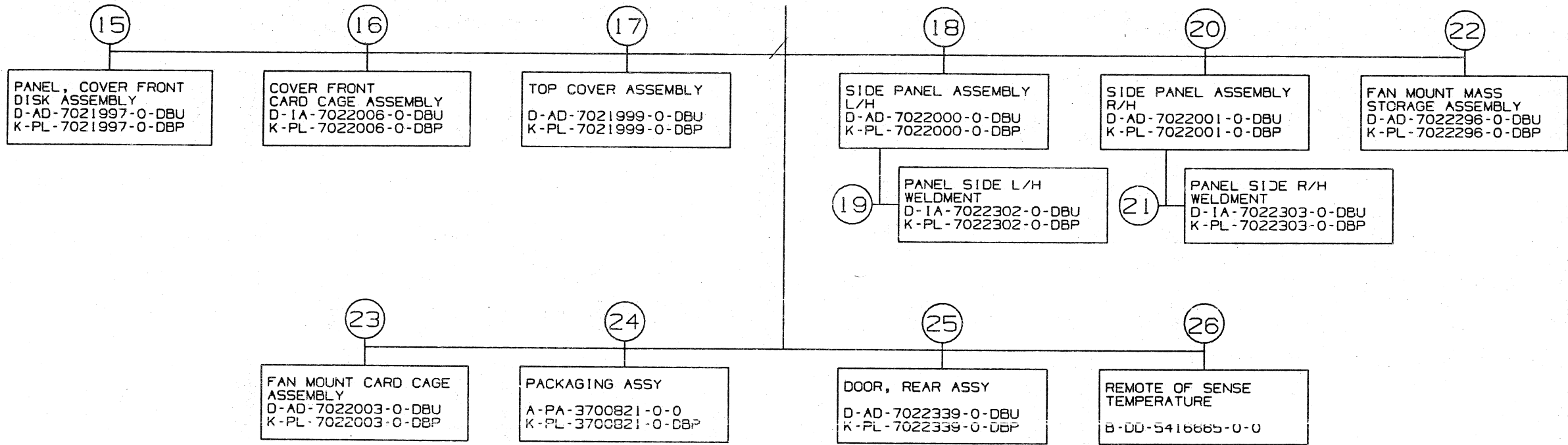


SEE SHEET 3

TITLE: BA123-A BASIC ENCLOSURE	SHEET 2 OF 6	SIZE CODE <b>B DD</b>	NUMBER 7022380-0-DBU	REV. A
--------------------------------	--------------	--------------------------	-------------------------	-----------

MLO1

CONT FROM  
SHEET 2



TITLE: BA123-A BASIC ENCLOSURE	SHEET 3 OF 6	SIZE CODE BDD	NUMBER 7022380-0-DBU	REV. A
--------------------------------	--------------	---------------	----------------------	--------

MLO 1

FIND NO.	DRAWING NO.	DESCRIPTION	TYPE	FIND NO.	DRAWING NO.	DESCRIPTION	TYPE
1	MP-02049-01	BA123-A BASIC ENCLOSURE (MP)	-		D-MD-7430827-0-DBU	BRACKET, MTG	M
	B-TC-7022380-0-DBU	BA123-A BASIC ENCLOSURE (TC)	-		D-MD-7431188-0-DBU	HINGE, REAR DOOR LIVING	M
	D-AD-7022380-0-DBU	BA123-A BASIC ENCLOSURE	E/M		B-1A-7431605-0-DBU	BRKT, DOOR INTERLOCK SWITCH	M
	K-PL-7022380-0-DBP	BA123-A BASIC ENCLOSURE (PL)	E/M		K-PL-7431605-0-DBP	BRKT, DOOR INTERLOCK SWITCH (PL)	M
	D-AR-7022380-0-DBU	BA123-A SYSTEM ARRANGEMENT	REF		A-PS-1700942-0-0	CABLE ASSY FAN DOOR INTERLOCK	E/M
	A-SP-BA123-A-DBF	BA123-A MICRO SYS. ENCL. FUNC. SPEC.	E/M		D-MD-7431189-0-DBU	RESTRAINT, CABLE	M
	D-1A-7430692-0-DBU	COVER, REAR CARD CAGE	M				
	K-PL-7420692-0-DBP	COVER, REAR CARD CAGE (PL)	M				
	D-MD-7430709-0-DBU	LOUVER, SHORT	M				
	D-MD-7430710-0-DBU	LOUVER, LONG	M				
	C-1A-7427574-0-DBU	PLATE, COVER	M				
	K-PL-7427574-0-DBP	PLATE, COVER (PL)	M				
	B-MD-7428683-0-DBU	PLATE, CONN. BLANK	M	3	E-AD-7021992-0-DBU	BOTTOM PLENUM ASSEMBLY	M
	A-PS-1700859-0-0	CABLE ASSY AC ON/OFF PWR	E/M		K-PL-7021992-0-DBP	BOTTOM PLENUM ASSEMBLY (PL)	M
	A-PS-1700865-0-0	CABLE, 18 COND P.S. TO BACK PANEL	E/M		E-1A-7431044-0-DBU	PLENUM, BOTTOM	M
	A-PS-1700863-0-0	CABLE, P.S. TO CC FAN & SENSOR	E/M		K-PL-7431044-0-DBP	PLENUM, BOTTOM (PL)	M
	A-PS-1700911-0-0	CABLE, P.S. TO 3 DRIVES	E/M		E-1A-7430689-0-DBU	PANEL BOTTOM	M
	A-PS-1700870-0-0	CABLE, P.S. TO 2 DRIVES	E/M		K-PL-7430689-0-DBP	PANEL BOTTOM (PL)	M
	A-PS-1700083-0-0	US LINE CORD	E/M		C-MD-7430743-0-DBU	BRACKET, GND	M
	C-MD-7431225-0-DBU	BRACKET, CONTROL PANEL	M		D-MD-7427554-0-DBU	HALF SLIDE	M
	A-PS-3624253-0-0	LABEL, I/O BULKHEAD	M		C-MD-7431175-0-DBU	BRACKET, SUPPORT (REAR PANEL)	M
	A-PS-3624254-0-0	LABEL, MU BUSINESS COMPUTER	M		D-MD-7431108-0-DBU	GUIDE, CARD CAGE FAN TRAY	M
	A-PS-3615087-0-0	LABEL, DANGER, HIGH CURRENT	M		E-1A-7430700-0-DBU	PLENUM, CARD CAGE	M
	A-PS-3617905-0-0	LABEL, EQUIP RATING	M		K-PL-7430700-0-DBP	PLENUM, CARD CAGE (PL)	M
	A-PS-3624471-0-0	LABEL, BUSINESS COMPUTER	M				
				4	D-1A-7021147-0-DBU	SPRING RETAINER ASSY	M
					K-PL-7021147-0-DBP	SPRING RETAINER ASSY (PL)	M
					B-MD-7429413-0-DBU	BRACKET, SPRING	M
					B-MD-7427217-0-DBU	TAB, SPRING	M
2	D-AD-7021991-0-DBU	FRAME ASSEMBLY	M	5	D-1A-7022320-0-DBU	MASS STORAGE/TAPE DRIVE ASSY	M
	K-PL-7021991-0-DBP	FRAME ASSEMBLY (PL)	M		K-PL-7022320-0-DBP	MASS STORAGE/TAPE DRIVE ASSY (PL)	M
	D-1A-7430684-0-DBU	SUPPORT VERT	M		E-1A-7430697-0-DBU	SUPPORT, INNER VERTICAL	M
	K-PL-7420684-0-DBP	SUPPORT VERT (PL)	M		K-PL-7430697-0-DBP	SUPPORT, INNER VERTICAL (PL)	M
	D-MD-7430699-0-DBU	SUPPORT, REAR CENTER	M		D-MD-7430698-0-DBU	SUPPORT, OUTER VERTICAL	M
	C-1A-7421109-0-DBU	BRACKET, BULKHEAD	M				
	K-PL-7431109-0-DBP	BRACKET, BULKHEAD (PL)	M				
	E-1A-7430687-0-DBU	BULKHEAD, I/O	M				
	K-PL-7430687-0-DBP	BULKHEAD, I/O (PL)	M				
	E-MD-7420688-0-DBU	PANEL, TOP	M	6	D-1A-7021993-0-DBU	SHELF MASS STORAGE ASSEMBLY	M
	D-MD-7420701-0-DBU	BAFFLE	M		K-PL-7021993-0-DBP	SHELF MASS STORAGE ASSEMBLY (PL)	M
	E-1A-7430744-0-DBU	BAFFLE, HORIZ. MASS STORAGE	M		D-MD-7430696-0-DBU	SHELF MASS STORAGE	M
	K-PL-7430744-0-DBP	BAFFLE, HORIZ. MASS STORAGE (PL)	M		D-MD-7427554-0-DBU	HALF SLIDE	M

TYPE: E ELECTRICAL  
M MECHANICAL  
E/M ELECTRO/MECHANICAL

digital

TITLE: BA123-A BASIC ENCLOSURE

SHEET 4 OF 6

SIZE CODE BDD

NUMBER 7022380-0-DBU

REV. A

DRB 108A

MLO1

FIND NO.	DRAWING NO.	DESCRIPTION	TYPE	FIND NO.	DRAWING NO.	DESCRIPTION	TYPE
					A-SS-7022048-0-1	SILK SCREEN	M
7	D-1A-7021994-0-DBU	SHELF TAPE DRIVE ASSEMBLY	M	13	B-DD-5416596-0-0	CONSOLE BOARD FOR BA123-A	E/M
	K-PL-7021994-0-DBP	SHELF TAPE DRIVE ASSEMBLY (PL)	M				
	D-MD-7430746-0-DBU	SHELF TAPE DRIVE	M				
	D-MD-7427554-0-DBU	HALF SLIDE	M				
8	D-1A-7021995-0-DBU	CARD CAGE ASSEMBLY	M	14	A-PS-3023616-0-0	POWER SUPPLY ASSEMBLY (H7260)	E/M
	K-PL-7021995-0-DBP	CARD CAGE ASSEMBLY (PL)	M				
	E-1A-7430690-0-DBU	FRAME CARD CAGE	M	15	D-AD-7021997-0-DBU	PANEL COVER FRONT DISK ASSY	M
	K-PL-7430690-0-DBP	FRAME CARD CAGE (PL)	M		K-PL-7021997-0-DBP	PANEL COVER FRONT DISK ASSY (PL)	M
	D-MD-7429632-0-DBU	CARD GUIDE 12 SLOT	M		E-MD-7430704-0-DBU	PANEL, FRONT	M
	D-1A-7430693-0-DBU	BAFFLE, FCC	M		C-MD-7431191-0-DBU	BRACKET, STUD	M
	K-PL-7430693-0-DBP	BAFFLE, FCC (PL)	M		E-MD-7430708-0-DBU	DOOR, FRONT	M
					C-MD-7431178-0-DBU	BRACKET, DOOR HINGE	M
					D-MD-7431477-0-DBU	PANEL, FILLER	M
9	B-DD-5417507-0-0	OBUS BACKPLANE 13 SLOTS QUAD	E/M				
10	C-AD-7021996-0-DBU	CONTROL PANEL ASSEMBLY	M	16	D-1A-7022006-0-DBU	CARD CAGE FRONT COVER ASSY	M
	K-PL-7021996-0-DBP	CONTROL PANEL ASSEMBLY (PL)	M		K-PL-7022006-0-DBP	CARD CAGE FRONT COVER ASSY (PL)	M
	E-1A-7430705-0-DBU	PANEL CONTROL	M		E-1A-7430691-0-DBU	COVER FRONT CARD CAGE	M
	K-PL-7420705-0-DBP	PANEL CONTROL (PL)	M		K-PL-7430691-0-DBP	COVER FRONT CARD CAGE (PL)	M
	C-MD-7431171-0-DBU	BEZEL, BLANK	M		D-MD-7430828-0-DBU	SUPPORT MODULES	M
					D-MD-7431479-0-DBU	SUPPORT, MODULE REMOVEABLE	M
11	C-AD-7022305-0-DBU	BEZEL, SYSTEM CONSOLE ASSY	E/M	17	D-AD-7021999-0-DBU	TOP COVER ASSEMBLY	M
	K-PL-7022305-0-DBP	BEZEL, SYSTEM CONSOLE ASSY (PL)	E/M		K-PL-7021999-0-DBP	TOP COVER ASSEMBLY (PL)	M
	A-PS-1700860-0-0	CABLE ASSY, CONSOLE BACKPLANE	E/M		D-1A-7430707-0-DBU	COVER, TOP	M
					K-PL-7420707-0-DBP	COVER, TOP (PL)	M
					C-MD-7423357-0-DBU	KEY BUTTON	M
					D-1A-7431045-0-DBU	BRACKET, COVER	M
					K-PL-7431045-0-DBP	BRACKET, COVER (PL)	M
12	D-1A-7022048-0-DBU	WELDMENT, BEZEL SYS CONSOLE	M				
	K-PL-7022048-0-DBP	WELDMENT, BEZEL SYS CONSOLE (PL)	M				
	D-MD-7431169-0-DBU	BRACKET, SUPPORT SYSTEM CONSOLE	M	18	D-AD-7022000-0-DBU	SIDE PANEL ASSEMBLY L/H	M
	D-MD-7431173-0-DBU	BEZEL, SYSTEM CONSOLE	M		K-PL-7022000-0-DBP	SIDE PANEL ASSEMBLY L/H (PL)	M

TYPE: E ELECTRICAL  
M MECHANICAL  
E/M ELECTRO/MECHANICAL

digital

TITLE: BA123-A BASIC ENCLOSURE

SHEET 5 OF 6 SIZE CODE B DD NUMBER 7022380-0-DBU REV. A

DRB 108A

MLO1

FIND NO.	DRAWING NO.	DESCRIPTION	TYPE	FIND NO.	DRAWING NO.	DESCRIPTION	TYPE
				25	D-AD-7022339-0-DBU	DOOR, REAR ASSY	M
					K-PL-7022339-0-DBP	DOOR, REAR ASSY (PL)	M
					E-1A-7431043-0-DBU	DOOR, REAR	M
					K-PL-7431043-0-DBP	DOOR, REAR (PL)	M
19	D-1A-7022302-0-DBU	PANEL, SIDE L/H WELDMENT	M		E-1A-7430703-0-DBU	PANEL, REAR	M
	K-PL-7022302-0-DBP	PANEL, SIDE L/H WELDMENT (PL)	M		K-PL-7430703-0-DBP	PANEL, REAR (PL)	M
	E-MD-7431042-0-DBU	PANEL, LEFT	M		D-MD-7431188-0-DBU	HINGE, REAR DOOR LINING	M
	B-MD-7431190-0-DBU	BRACKET STUD SIDE PANEL	M				
				26	B-DD-5416665-0-0	REMOTE OF SENSE TEMPERATURE	E/M
20	D-AD-7022001-0-DBU	SIDE PANEL ASSEMBLY R/H	M				
	K-PL-7022001-0-DBP	SIDE PANEL ASSEMBLY R/H (PL)	M				
21	D-1A-7022303-0-DBU	PANEL, SIDE R/H WELDMENT	M				
	K-PL-7022303-0-DBP	PANEL, SIDE R/H WELDMENT (PL)	M				
	D-MD-7430702-0-DBU	PANEL SIDE	M				
	B-MD-7431190-0-0	BRACKET, STUD SIDE PANEL	M				
22	D-AD-7022296-0-DBU	FAN MOUNT MASS STORAGE ASSY	M				
	K-PL-7022296-0-DBP	FAN MOUNT MASS STORAGE ASSY (PL)	M				
	D-MD-7430711-0-DBU	BRACKET, FAN MOUNT MASS STORAGE	M				
23	D-AD-7022003-0-DBU	FAN MOUNT CARD CAGE ASSY	M				
	K-PL-7022003-0-DBP	FAN MOUNT CARD CAGE ASSY (PL)	M				
	D-MD-7430694-0-DBU	BRACKET, FAN MOUNT CARD CAGE	M				
24	A-PA-3700821-0-0	PACKAGING ASSY	M				
	K-PL-3700821-0-DBP	PACKAGING ASSY (PL)	M				

TYPE: E ELECTRICAL  
M MECHANICAL  
E/M ELECTRO/MECHANICAL

digital

TITLE: BA123-A BASIC ENCLOSURE

SHEET 6 OF 6

SIZE CODE  
BDD

NUMBER  
7022380-0-DBU

REV.  
A

DRB 108A

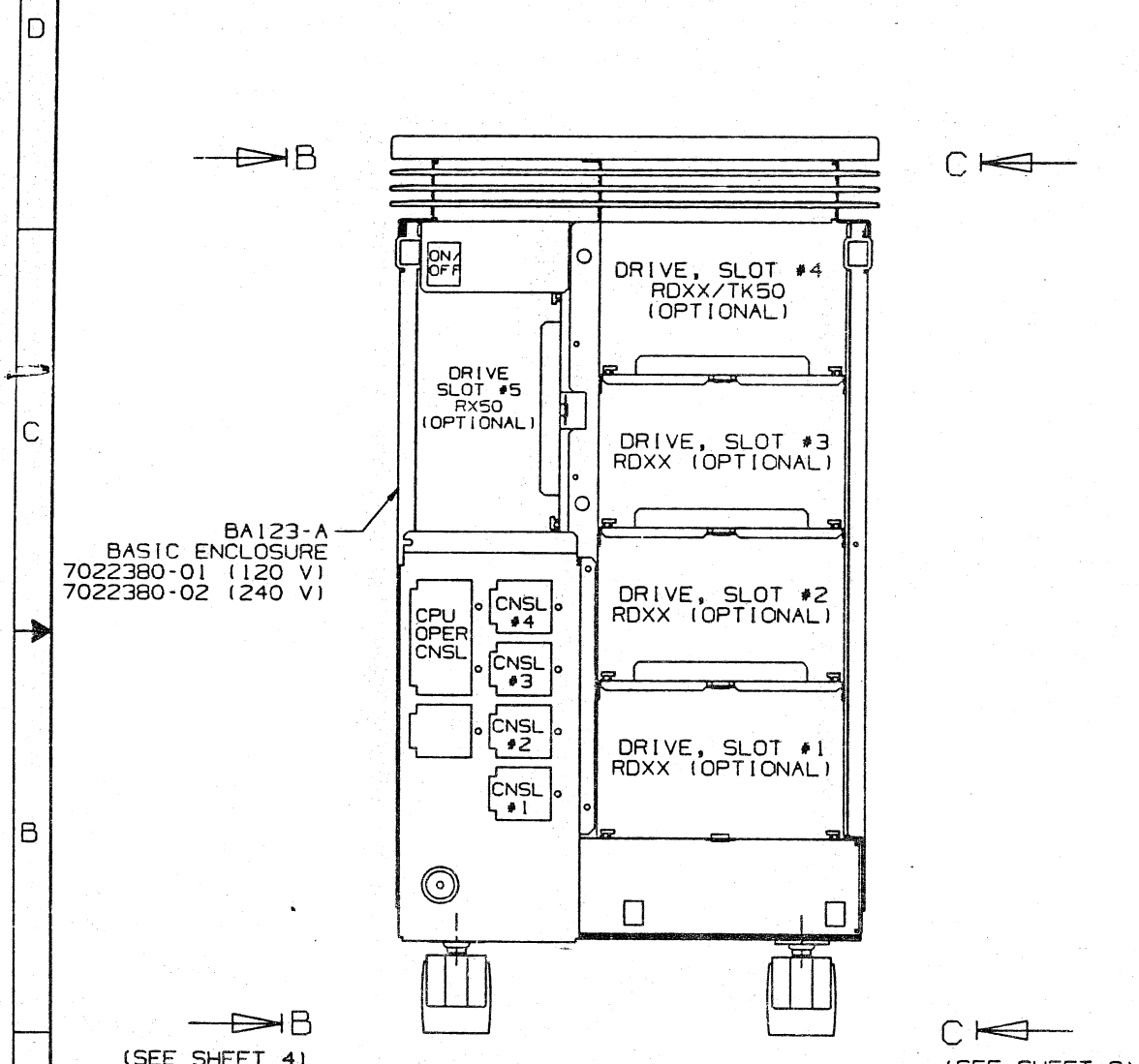
MLO1

THIS DRAWING AND THE SPECIFICATIONS CONTAINED HEREIN ARE CONFIDENTIAL AND PROPRIETARY. THEY ARE THE PROPERTY OF DIGITAL EQUIPMENT CORPORATION AND SHALL NOT BE REPRODUCED OR COPIED IN ANY MANNER OR IN ANY MEDIUM WITHOUT THE WRITTEN PERMISSION. THIS IS AN UNPUBLISHED WORK PROTECTED UNDER THE FEDERAL COPYRIGHT LAWS. 1995

AR7022380-0-DBU 2

NOTES:

1. RDX SIGNAL DISTRIBUTION (M9058) IS SHOWN FOR REF ONLY AND NOT PART OF BA123-A. (SEE SHEET 5)
2. FOR REAR PANEL RULES AND CONFIGURATION SEE SHEET 3.
3. FOR POWER HARNESS WIRING DIAGRAM SEE SHEET 6.
4. FOR MODULE RULES SEE SHEET 6.
5. MASS STORAGE CONFIGURATION RULES:  
THE POWER SUPPLY IN THE BA123-A ENCLOSURE CAN POWER UP TO FOUR OF THE FIVE DRIVE SLOTS ONLY.  
THE FOLLOWING ARE SOME OF THE COMBINATIONS:  
- (4) RD52'S  
- RX50, TK50, (2) RD52'S  
- TK50, (3) RD52'S



BA123-A  
BASIC ENCLOSURE  
7022380-01 (120 V)  
7022380-02 (240 V)

VIEW A-A  
(SEE SHEET 2)  
SHOWN WITHOUT FRONT  
OR SIDE PANELS

(SEE SHEET 4)

(SEE SHEET 2)

FILE NAME: AR7022380-0-DBUA  
PLOT AT .5000

DESCRIPTION		DRAWING NO.		PART NO.		ITEM NO.
UNLESS OTHERWISE SPECIFIED DIMENSIONS ARE IN INCHES AND THE FOLLOWING TOLERANCES APPLY (PER DEC STD 114)						
INCHES		APPLICABLE DIMENSION RANGE		DIMENSION RANGE IN INCHES		
TOLERANCES		SURFACE QUALITY		OVER 12.0	OVER 6.0	OVER 3.0
.XX ± .1		12.5		12.0	6.0	3.0
.XX1 ± .02		12.5		12.0	6.0	3.0
.XX ± .005		12.5		12.0	6.0	3.0
MICROINCHES		12.5		12.0	6.0	3.0
FIRST HIGHER ASSY		D-AD-BA123-A-DBP		D-AR-7022380-0-DBU		D
THIRD ANGLE PROJECTION		DATE		TITLE		REV.
DO NOT SCALE DRAWING		08-JAN-95		BA123-A SYSTEM ARRANGEMENT		A
REMOVE BURRS AND BREAK SHARP CORNERS		08-MAR-95		DOCUMENT NUMBER		
MATERIAL		08-MAR-95		D AR 7022380-0-DBU		
FINISH		08-MAR-95		SCALE 1/2		SHEET 1 OF 6

REVISIONS	REV.	A
CHANGE NO.	INITIAL	
CHECK		

D AR 7022380-0-DBU A

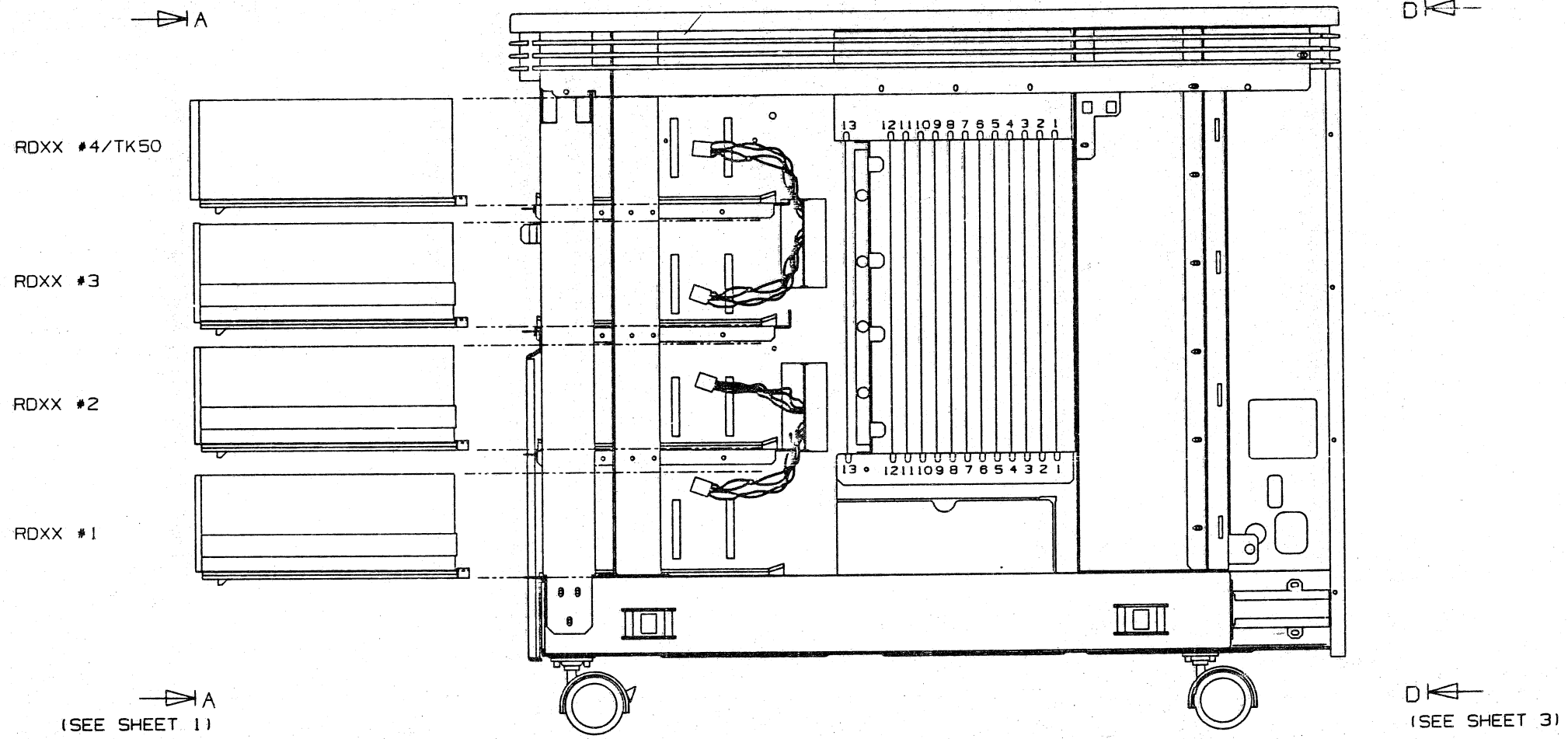
A

MLOI

\*THIS DRAWING AND THE SPECIFICATIONS CONTAINED HEREIN ARE CONFIDENTIAL AND PROPRIETARY. THEY ARE THE PROPERTY OF DIGITAL EQUIPMENT CORPORATION AND SHALL NOT BE REPRODUCED OR COPIED OR USED IN WHOLE OR IN PART AS THE BASIS FOR THE MANUFACTURE OR SALE OF ITEMS WITHOUT WRITTEN PERMISSION. THIS IS AN UNPUBLISHED WORK PROTECTED UNDER THE FEDERAL COPYRIGHT LAWS. 1985

DAR 7022380-0-DBU

DAR 7022380-0-DBU



VIEW C-C  
(SEE SHEET 1)  
SHOWN WITHOUT FRONT  
OR REAR PANELS

REVISIONS		
CHK	CHANGE NO	REV

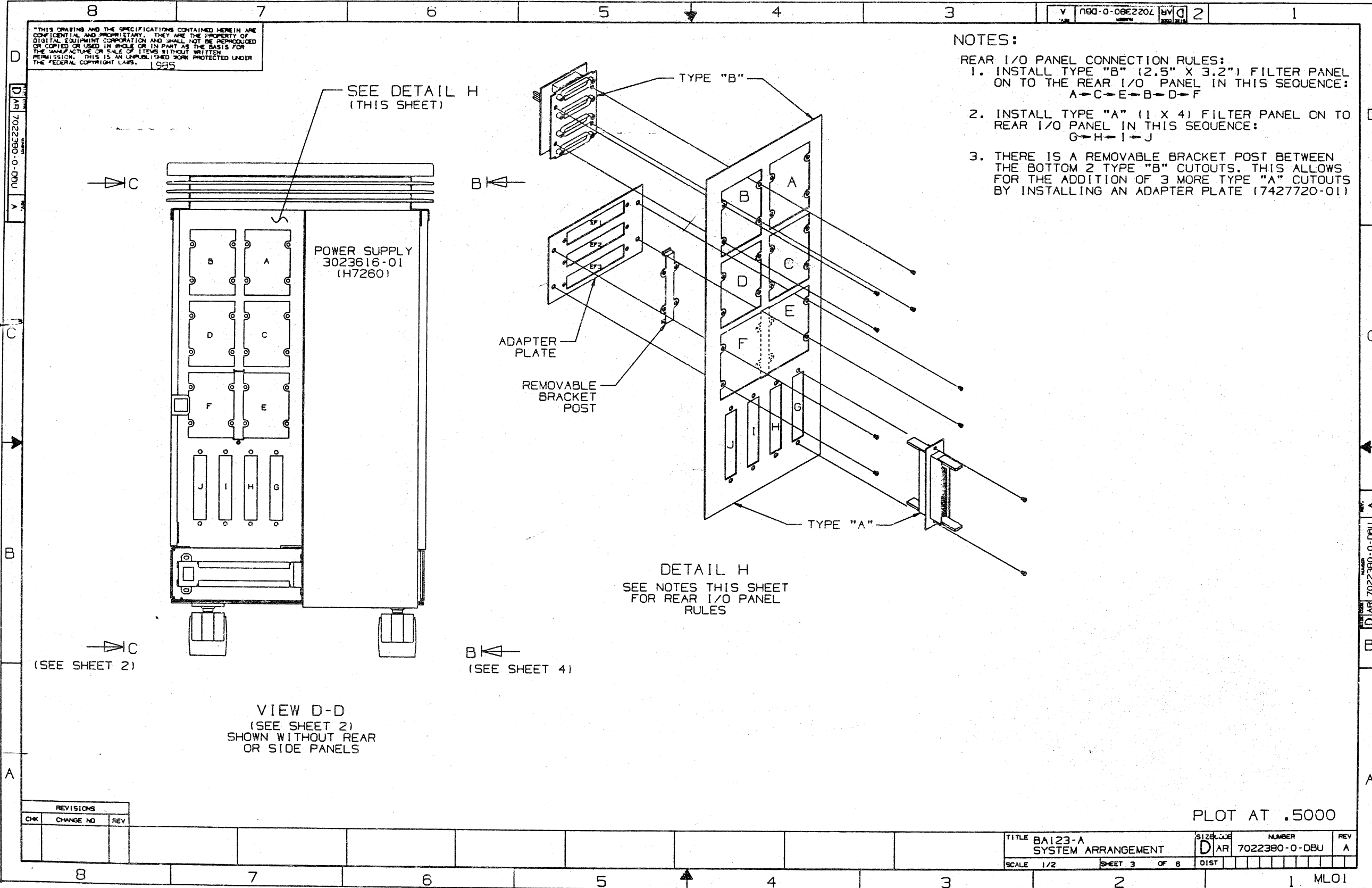
PLOT AT .5000

TITLE	BA123-A	SIZE CODE	DAR	NUMBER	7022380-0-DBU	REV	A
SCALE	1/2	SHEET	2	OF	8	DIST	

MLO1



"THIS DRAWING AND THE SPECIFICATIONS CONTAINED HEREIN ARE CONFIDENTIAL AND PROPRIETARY. THEY ARE THE PROPERTY OF DIGITAL EQUIPMENT CORPORATION AND SHALL NOT BE REPRODUCED OR COPIED OR USED IN WHOLE OR IN PART AS THE BASIS FOR THE MANUFACTURE OR SALE OF ITEMS WITHOUT WRITTEN PERMISSION. THIS IS AN UNPUBLISHED WORK PROTECTED UNDER THE FEDERAL COPYRIGHT LAWS. 1985



**NOTES:**

- REAR I/O PANEL CONNECTION RULES:
1. INSTALL TYPE "B" (2.5" X 3.2") FILTER PANEL ON TO THE REAR I/O PANEL IN THIS SEQUENCE:  
A → C → E → B → D → F
  2. INSTALL TYPE "A" (1 X 4) FILTER PANEL ON TO REAR I/O PANEL IN THIS SEQUENCE:  
G → H → I → J
  3. THERE IS A REMOVABLE BRACKET POST BETWEEN THE BOTTOM 2 TYPE "B" CUTOUTS. THIS ALLOWS FOR THE ADDITION OF 3 MORE TYPE "A" CUTOUTS BY INSTALLING AN ADAPTER PLATE (7427720-01)

SEE DETAIL H (THIS SHEET)

POWER SUPPLY  
3023616-01  
(H7260)

ADAPTER PLATE  
REMOVABLE BRACKET POST

DETAIL H  
SEE NOTES THIS SHEET  
FOR REAR I/O PANEL  
RULES

(SEE SHEET 2)

(SEE SHEET 4)

VIEW D-D  
(SEE SHEET 2)  
SHOWN WITHOUT REAR  
OR SIDE PANELS

PLOT AT .5000

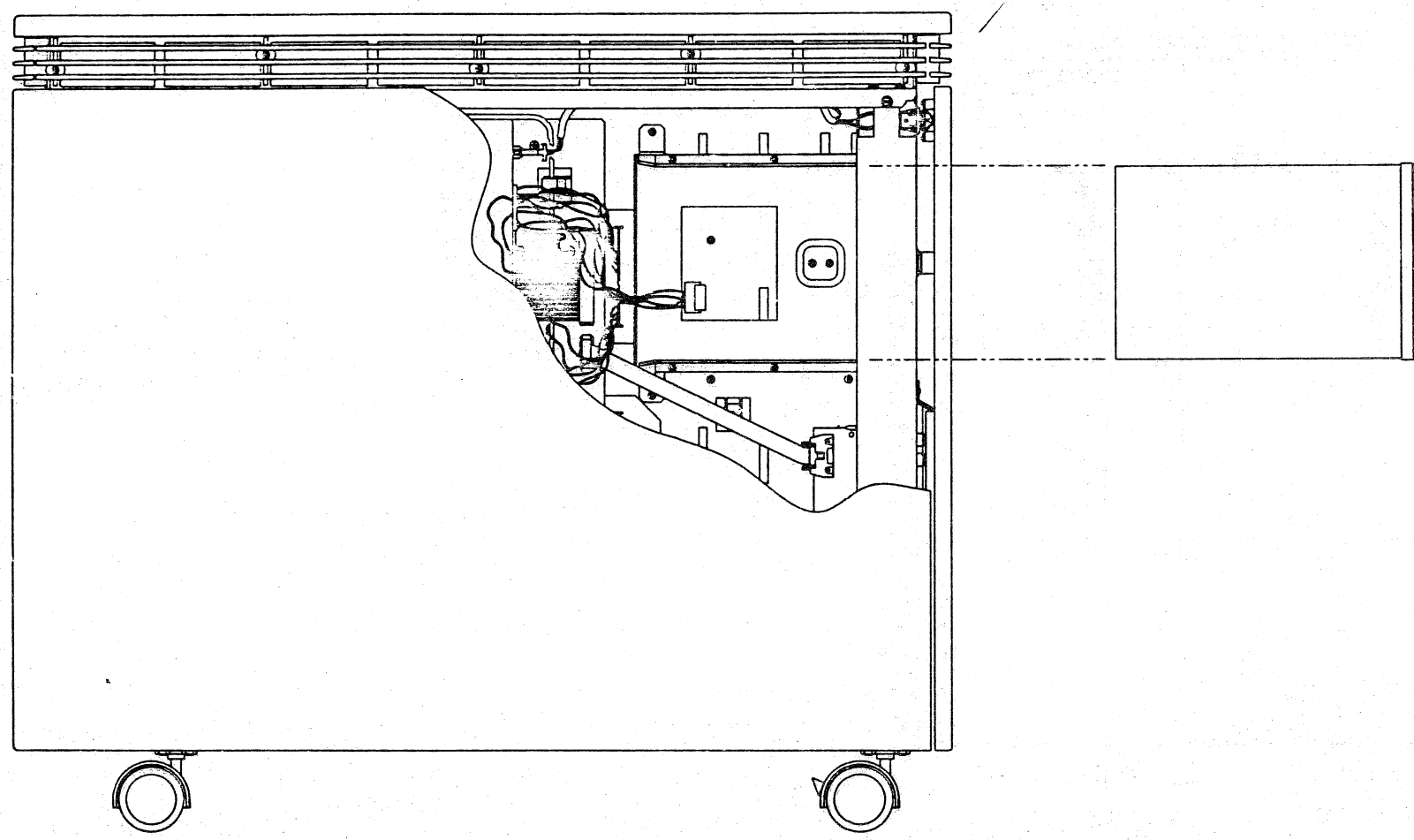
REVISIONS		
CHK	CHANGE NO	REV

TITLE	BA123-A SYSTEM ARRANGEMENT	SIZE	D	NUMBER	7022380-0-DBU	REV	A
SCALE	1/2	SHEET	3	OF	6	DIST	

MLO1

THIS DRAWING AND THE SPECIFICATIONS CONTAINED HEREIN ARE CONFIDENTIAL AND PROPRIETARY. THEY ARE THE PROPERTY OF DIGITAL EQUIPMENT CORPORATION AND SHALL NOT BE REPRODUCED OR COPIED OR USED IN WHOLE OR IN PART AS THE BASIS FOR THE MANUFACTURE OR SALE OF ITEMS WITHOUT WRITTEN PERMISSION. THIS IS AN UNPUBLISHED WORK PROTECTED UNDER THE FEDERAL COPYRIGHT LAWS. 1985

DAR 7022380-0-DBU 2



RX50

VIEW B-B  
(SEE SHEET 1)  
(TK50 INSTALLATION)

REVISIONS		
CHK	CHANGE NO	REV

PLOT AT .5000

TITLE	BA123-A SYSTEM ARRANGEMENT	SIZE CODE	DAR	NUMBER	7022380-0-DBU	REV	A
SCALE	1/2	SHEET	4	OF	8	DIST	

ML01

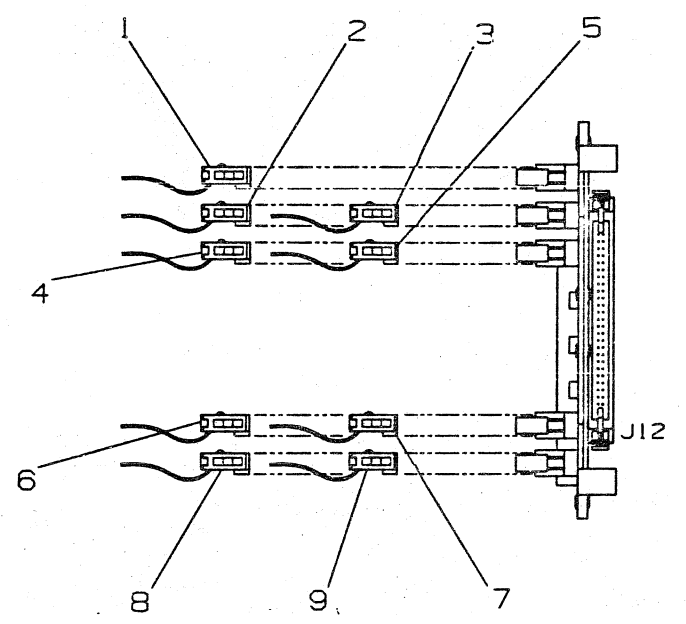
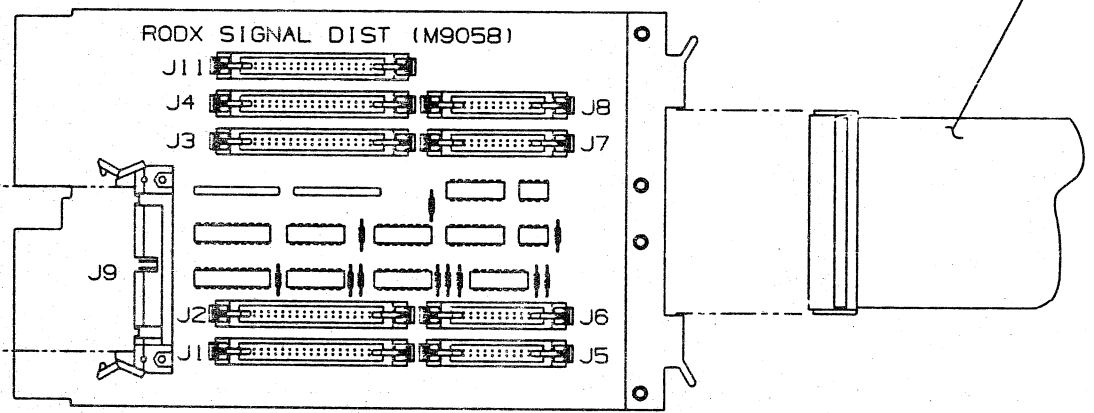
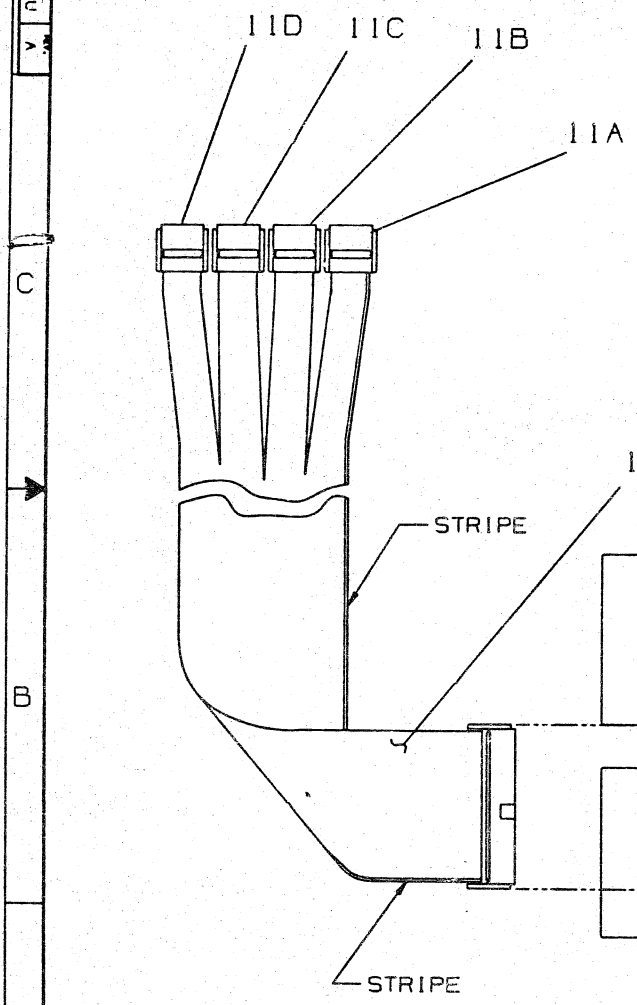
\*THIS DRAWING AND THE SPECIFICATIONS CONTAINED HEREIN ARE CONFIDENTIAL AND PROPRIETARY. THEY ARE THE PROPERTY OF DIGITAL EQUIPMENT CORPORATION AND SHALL NOT BE REPRODUCED OR COPIED OR USED IN WHOLE OR IN PART AS THE BASIS FOR THE MANUFACTURE OR SALE OF ITEMS WITHOUT WRITTEN PERMISSION. THIS IS AN UNPUBLISHED WORK PROTECTED UNDER THE FEDERAL COPYRIGHT LAWS. 1965

V 180-0-08E220Z BY DAV

D AR 7022380-0-DBU 2

CABLE LEGEND			
ITEM	PART NO.	FROM	TO
1	1700867-01	M9058-J11	RX50
2	1700286-01	M9058-J4	RDXX#4
3	1700282-01	M9058-J8	RDXX#4
4	1700286-01	M9058-J3	RDXX#3
5	1700282-01	M9058-J7	RDXX#3
6	1700286-01	M9058-J2	RDXX#2
7	1700282-01	M9058-J6	RDXX#2
8	1700286-01	M9058-J1	RDXX#1
9	1700282-01	M9058-J5	RDXX#1
10	1700861-01	M9058-J12	RQDX2 MODULE
11	1700862-01	M9058-J9	SEE BELOW
11A			RDXX#1 CONSOLE
11B			RDXX#2 CONSOLE
11C			RDXX#3 CONSOLE
11D	1700862-01	M9058-J9	RDXX#4 CONSOLE

NOTES:  
1. ITEM #S SHOWN ARE FOR REF ONLY (FOR CABLE HOOK UP ONLY).



REVISIONS		
CHK	CHANGE NO	REV

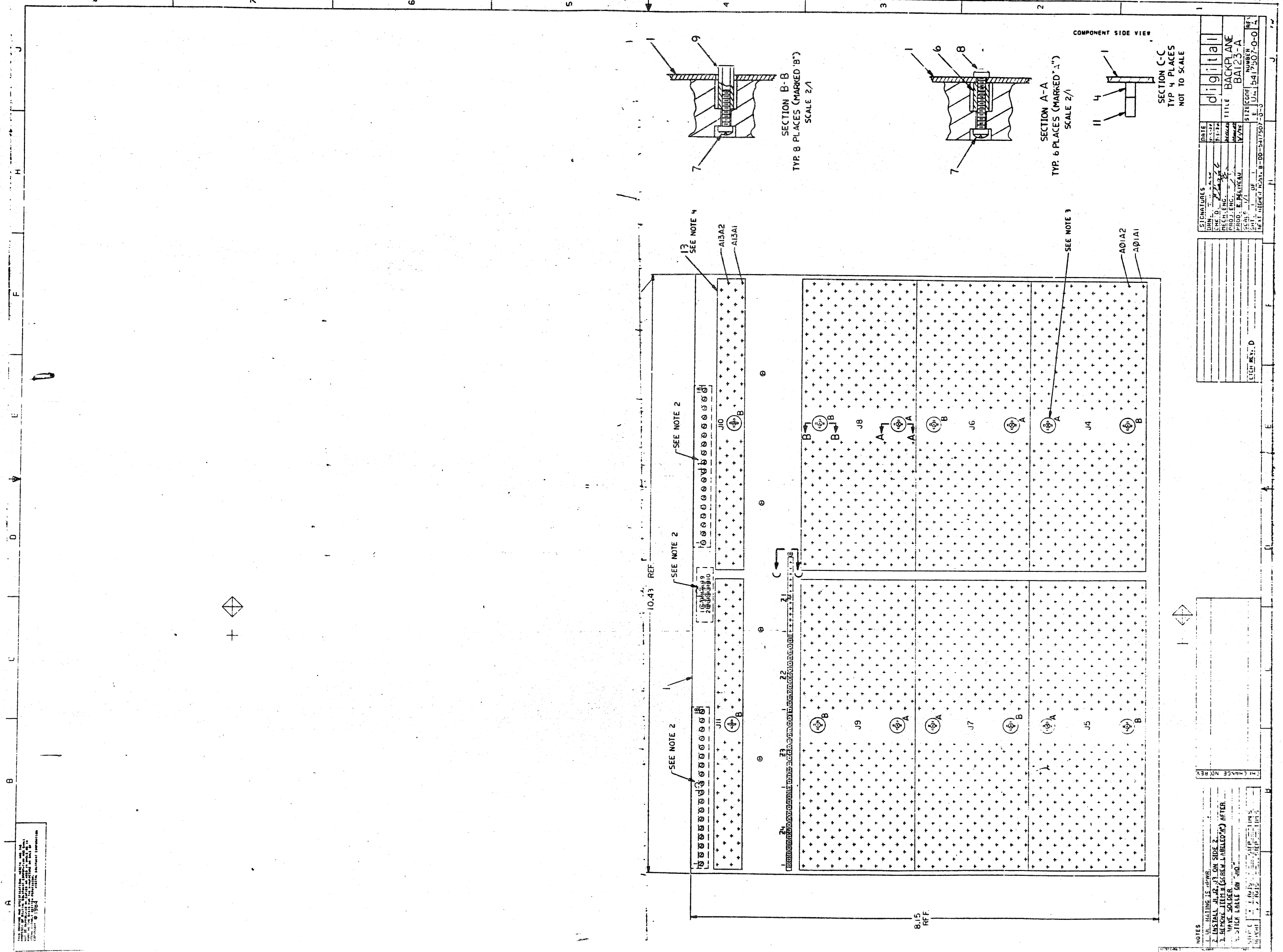
PLOT AT 1.000

TITLE BA123-A SYSTEM ARRANGEMENT  
 SCALE 1/1 SHEET 5 OF 6  
 SIZE CODE D AR 7022380-0-DBU  
 NUMBER 7022380-0-DBU  
 REV A  
 MLO1

LINE	ITEM	TOP DOCUMENT	PART NUMBER	MIN REV	DESCRIPTION	QTY	PER VARIATION	REFERENCE DESIGNATOR
					VARIATION REVISION LEVEL:	A1		
1	1	D-MD-5017506-0-0	5017506-01		ETCHED BOARD	1		
2	2		1214886-05		PCB HEADER 10POS(2X 5).100CC	1		J2
3	3		1215699-07		PCB,HEADER 18POS(1X18).156CC STR	2		J1,J3
4	4		1217535-05		SKT,IC 13PIN SIP TIN SOLD	4		XZ1-XZ4
5	5		7417041-00		288 PIN CONNECTOR	6		J4-J9
6	6		9000033-12		SPACER,THREADED HEX ALUM 8-3	6		
7	7		9006120-06		SCREW, FILL POZI 8-	14		
8	8		9006035-01		SCREW,MACH PAN PHIL 8-	6		
9	9		9009246-00		SPACER,THREADED HEX ALUM 8-3	8		
10	10		7411881-01		DECAL	1		
11	11		1323505-01		R NETWORK 180/390 2.0 % 13PIN	4		Z1-Z4
12	12		7417042-00		72 PIN CONNECTOR /	2		J10-J11
13	13		3623593-01		LABEL,BLANK,PAPER,PIN FEED	1		
14	14		9905016-03		CARTON,DIE CUT,SELF LOCK W/FOAM	1		

REVISION HISTORY		BASIC PART NO: 5417507		DRN:	S.MANSOR	DATE:	07-JUN-84	D I G I T A L			
ENG!	ECO NUMBER	REV	SECTION A OF A	CHK'D:	F.GAROFALO	DATE:	1-MAR-85	TITLE PARTS LIST 13 SLOT BACKPLANE			
---	INITIAL	A	SECTION VARIATION INDEX	DES.ENG:	T.ORR	DATE:	1-MAR-85	DOCUMENT NUMBER			
			[A] 01	RESP.ENG.:	T.ORR	DATE:	1-MAR-85	SIZE	CODE	NUMBER	REV
			[B]	MFG.ENG.:	R.BELIVEAU	DATE:	1-MAR-85	K	PL	5417507-0-DBP	A
			[C]	ASSEMBLY NUMBER:	E-UA-5417507-0-0	TOP DOCUMENT NUMBER:	B-DD-5417507-0-0	RELEASE DATE:		04-MAR-85	
			[D]	FILE NAME:	TW261A.PLS		EDIT #	4			
			[E]	"THIS DRAWING AND THE SPECIFICATIONS CONTAINED HEREIN ARE CONFIDENTIAL AND PROPRIETARY. THEY ARE THE PROPERTY OF DIGITAL EQUIPMENT CORPORATION AND SHALL NOT BE REPRODUCED OR COPIED OR USED IN WHOLE OR IN PART AS THE BASIS FOR THE MANUFACTURE OR SALE OF ITEMS WITHOUT WRITTEN PERMISSION. THIS IS AN UNPUBLISHED WORK PROTECTED UNDER THE FEDERAL COPYRIGHT LAWS."							

THIS DRAWING AND SPECIFICATIONS ARE THE PROPERTY OF THE AIR FORCE AND ARE TO BE KEPT IN CONFIDENCE. IT IS TO BE USED ONLY FOR THE PURPOSES AUTHORIZED BY THE AIR FORCE. IT IS TO BE DESTROYED WHEN NO LONGER REQUIRED.



NOTES  
 1. THIS DRAWING IS A COPY OF THE ORIGINAL DRAWING.  
 2. THIS DRAWING IS TO BE USED ONLY FOR THE PURPOSES AUTHORIZED BY THE AIR FORCE.  
 3. REMOVE LABELS (GENERAL LABELS) AFTER WAVE SOLDER.  
 4. STICK LABELS ON "JIO".

CHANGE NUMBER

SIGNATURES	DATE	digital
DRN. 2	7-2-57	
CHK. D. 2	7-1-57	
DESIGN. 2	7-1-57	
PROG. 2	7-1-57	
SCALE 1/1	OF	
TITLE	BACKPLANE	
FIGURE	BA123-A	
SIZE	8 1/2 X 11	
REF.	U.S. AIR FORCE	
	DD-5417307-0-3	

DRAWING NO.	NO OF SHTS.	PART NO.	DESCRIPTION	REVISIONS															
				A1	A2														
		5416596-01	BA123-A FRONT PANEL	A1	A2														
D-UA-5416596-0-0	1		BA123-A FRONT PANEL	A	A														
D-CS-5416596-0-1	1		BA123-A FRONT PANEL	A	A														
K-PL-5416596-0-DBP	1		BA123-A FRONT PANEL	A	B														
K-PC-5416596-0-DBC			P.C. DESIGN DATA BASE	A	A														
		5016595-01	ETCHED CIRCUIT BOARD	B1	B1														
B-DD-5016595-0-0	1		DRAWING DIRECTORY	A	A														
K-SP-5416596-0-DBF	6		BA123-A FRONT PANEL	A	A														

**NOTES:**

REVISION HISTORY		DATE	ECO NO.	REV.
		6-84	INIT	A
		5-85	ML001	B

THIS DRAWING AND THE SPECIFICATIONS CONTAINED HEREIN ARE CONFIDENTIAL AND PROPRIETARY. THEY ARE THE PROPERTY OF DIGITAL EQUIPMENT CORPORATION AND SHALL NOT BE REPRODUCED OR COPIED OR USED IN WHOLE OR IN PART AS THE BASIS FOR THE MANUFACTURE OR SALE OF ITEMS WITHOUT WRITTEN PERMISSION. THIS IS AN UNPUBLISHED WORK PROTECTED UNDER THE FEDERAL COPYRIGHT LAWS. 1984



DRN. B. LENNON	DATE 27 JUN 84	TITLE
CHK'D R. BARRIERE	DATE 27 JUN 84	BA123-A FRONT PANEL
DES. ENG. J. PADGETT	DATE 27 JUN 84	DOCUMENT NUMBER
RESP. ENG. J. PADGETT	DATE 27 JUN 84	SIZE B CODE DD NUMBER 5416596-0-0 REV. B
MFG. ENG. R. BELLIVEAU	DATE 27 JUN 84	SHEET 1 OF 1

LINE	ITEM	TOP DOCUMENT	PART NUMBER	MIN REV	DESCRIPTION	QTY	PER VARIATION	REFERENCE DESIGNATOR
					VARIATION REVISION LEVEL:	01		
						A2		
1	1	D-MD-5016595-0-0	5016595-01		CIRCUIT DRILL AND ETCH	1		
2	2		1000021-00		220.0 MMF 100V 5%200PPM MICA	1		C1
3	3		1005636-00		22 MFD 6V 10% S.TANT	1		C2
4	4		1012784-00		.047 MFD 50V +80-20% CER	2		C3,C4
5	5		1012312-01		.47 MFD 50V +80-20% CER	1		C5
6	6		1017472-00		10 MFD 35V +75-10% AL EL	1		C6
7	7		1100114-00		PIV= 25 IO=135 MA	1		D1
8	8		1119827-01		LED,SUPERBRIGHT,RED T1 PKG	1		D2
9	9		1116622-02		LED 2.0MCD@25M	1		D3
10	10		1121248-01		GREEN LED T1 4MCD 1"LEADS	1		D4
11	11		1110864-00		LED 2MCD@10MA	2		D5,D6
12	12		1218945-03		SW,PB,LT 1PST NO-MOMENTARY .25A	1		S1
13	13		1218945-01		SW,PB,LT 1PST NO-MAINTAIN .25A	1		S2
14	14		1217310-07		SW,DIP 2POS/1PST 5VDC100MA S	1		S3
15	15		1216832-07		*** THIS ITEM IS NOT USED ***	-		
16	16		1219918-01		SKT,SWITCH 4PIN RT ANGLE	2		XS1,XS2
17	17		1300250-00		150.0 .25 W 5.0 % CF	1		R1
18	18		1311523-00		110.0 .25 W 5.0 % CF	1		R2
19	19		1300271-00		220.0 .25 W 5.0 % CF	1		R3
20	20		1302388-00		2.0 K .25 W 5.0 % CF	4		R4,R5,R6,R7
21	21		1300479-00		10.0 K .25 W 5.0 % CF	4		R10-R13
22	22		1302514-00		39.0 K .25 W 5.0 % CF	2		R14,R15
23	23		1302466-00		100.0 K .25 W 5.0 % CF	1		R16
24	24		1300391-00		1.50 K .25 W 5.0 % CF	2		R8,R9
25	25		1914987-00		8641-2 TRANSCEIVER,UNIBUS,QU	1		E1
26	26		1912858-00		LS221 ONE SHOT-DUAL,SCHMIT	1		E2
27	27		1914156-01		LM 393AN VOLT COMPARATOR,DUA	1		E3
28	28	D-MD-7430089-0-DBU	7430089-01		HOLDER,L.E.D.,SINGLE	1		
29	29		1209941-05		PCB,HEADER 10PIN(2X10).100CC 90D	1		J1
30	30		1209941-04		PCB,HEADER LATCH	1		

REVISION HISTORY			BASIC PART NO: 5416596			
ENG	ECO NUMBER	REV	SECTION A OF A	DRN: M. FUNARO	DATE: 16-MAR-84	D I G I T A L
JP	INITIAL	A	SECTION VARIATION INDEX	CHK'D: D. BARRIERE	DATE: 16-MAR-84	TITLE PARTS LIST
JP	5416596-ML001	B	[A] 01	DES.ENG: J. PADGETT	DATE: 16-MAR-84	BA123-A FRONT PANEL
			[B]	RESP.ENG.: J. PADGETT	DATE: 16-MAR-84	DOCUMENT NUMBER
			[C]	MFG.ENG.: R. BELIVEAU	DATE: 18-MAY-84	SIZE CODE NUMBER REV
			[D]	ASSEMBLY NUMBER:	TOP DOCUMENT NUMBER:	K PL 5416596-0-DBP B
			[E]	D-UA-5416596-0-0	B-DD-5416596-0-0	RELEASE DATE: 01-MAY-85
			[F]		FILE NAME:	Z9241B.PLS
			[G]		EDIT #	15
			[H]			
			[I]			
			[J]			
			[K]			
			[L]			
			[M]			
			[N]			

"THIS DRAWING AND THE SPECIFICATIONS CONTAINED HEREIN ARE CONFIDENTIAL AND PROPRIETARY. THEY ARE THE PROPERTY OF DIGITAL EQUIPMENT CORPORATION AND SHALL NOT BE REPRODUCED OR COPIED OR USED IN WHOLE OR IN PART AS THE BASIS FOR THE MANUFACTURE OR SALE OF ITEMS WITHOUT WRITTEN PERMISSION. THIS IS AN UNPUBLISHED WORK PROTECTED UNDER THE FEDERAL COPYRIGHT LAWS."

LINE ITEM	TOP DOCUMENT	PART NUMBER	MIN REV	DESCRIPTION	QTY PER VARIATION	REFERENCE DESIGNATOR
31	31	1209941-03		PCB,HEADER LATCH	01 A2 1	

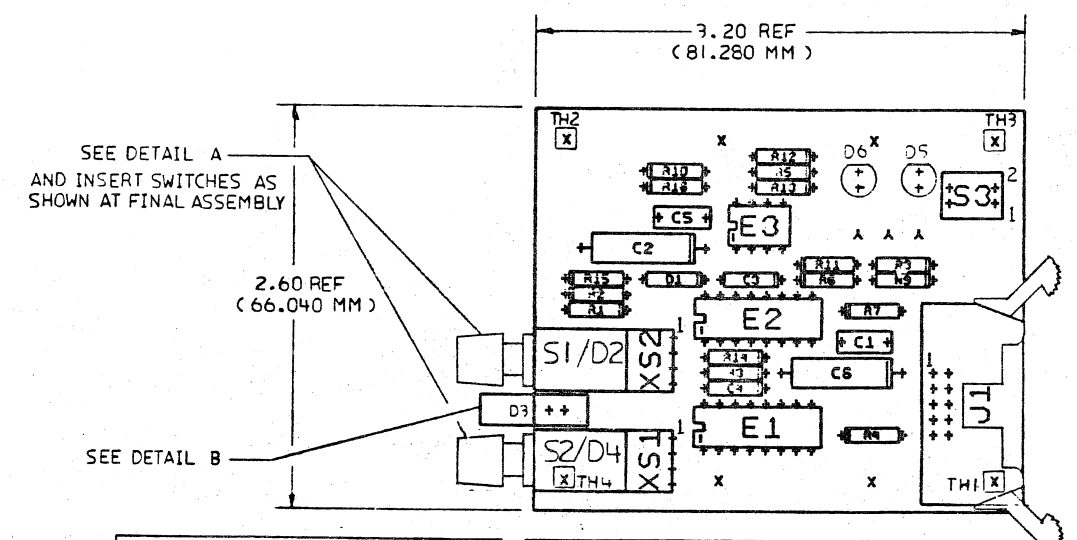
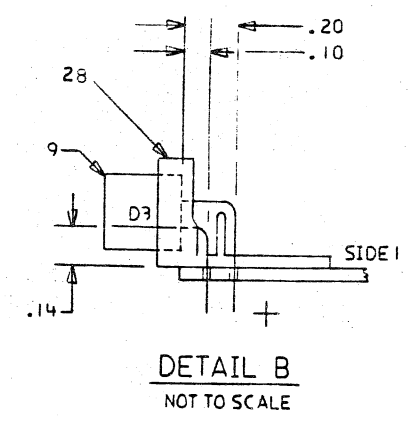
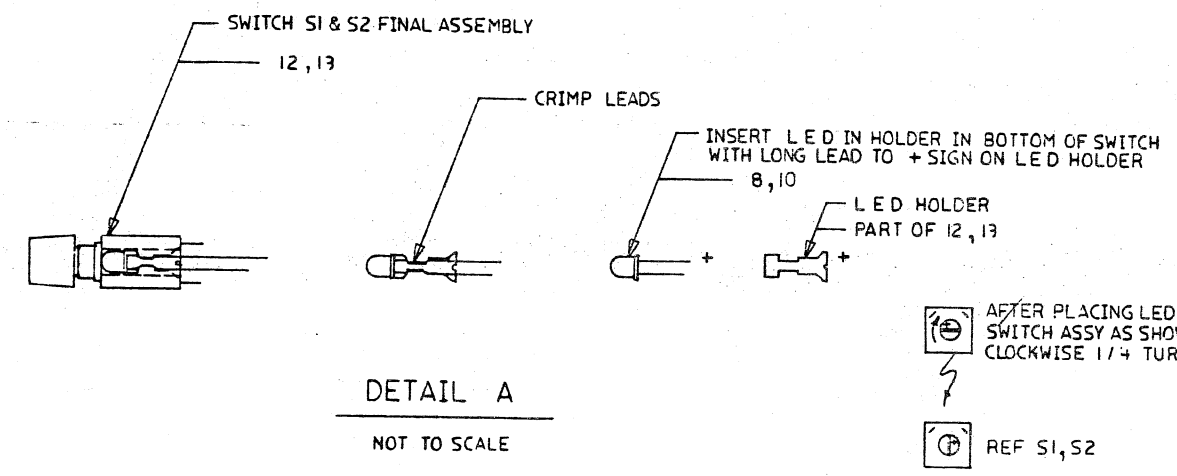
VARIATION REVISION LEVEL:

D	I	G	I	T	A	L	TITLE	BA123-A FRONT PANEL	SECTION A	OF A	SIZE	CODE	DOCUMENT NUMBER	REV
											K	PL	5416596-0-DBP	B



THIS DRAWING AND SPECIFICATIONS, HEREIN, ARE THE PROPERTY OF DIGITAL EQUIPMENT CORPORATION AND SHALL NOT BE REPRODUCED OR COPIED OR USED IN WHOLE OR IN PART IN ANY MANNER WITHOUT THE WRITTEN PERMISSION OF DIGITAL EQUIPMENT CORPORATION.

0-0-9659145 2 1



NOTES: 1. THIS BOARD MEETS UL REQUIREMENT FOR L.P.M.A.  
2. COMPONENTS MOUNT ON SIDE 1.

STEP	E	↑ Y AXIS	STEP	TIMES
REPEAT		→ X AXIS	STEP	TIMES

CHG	NO	REV

ETCH REV. B1
--------------

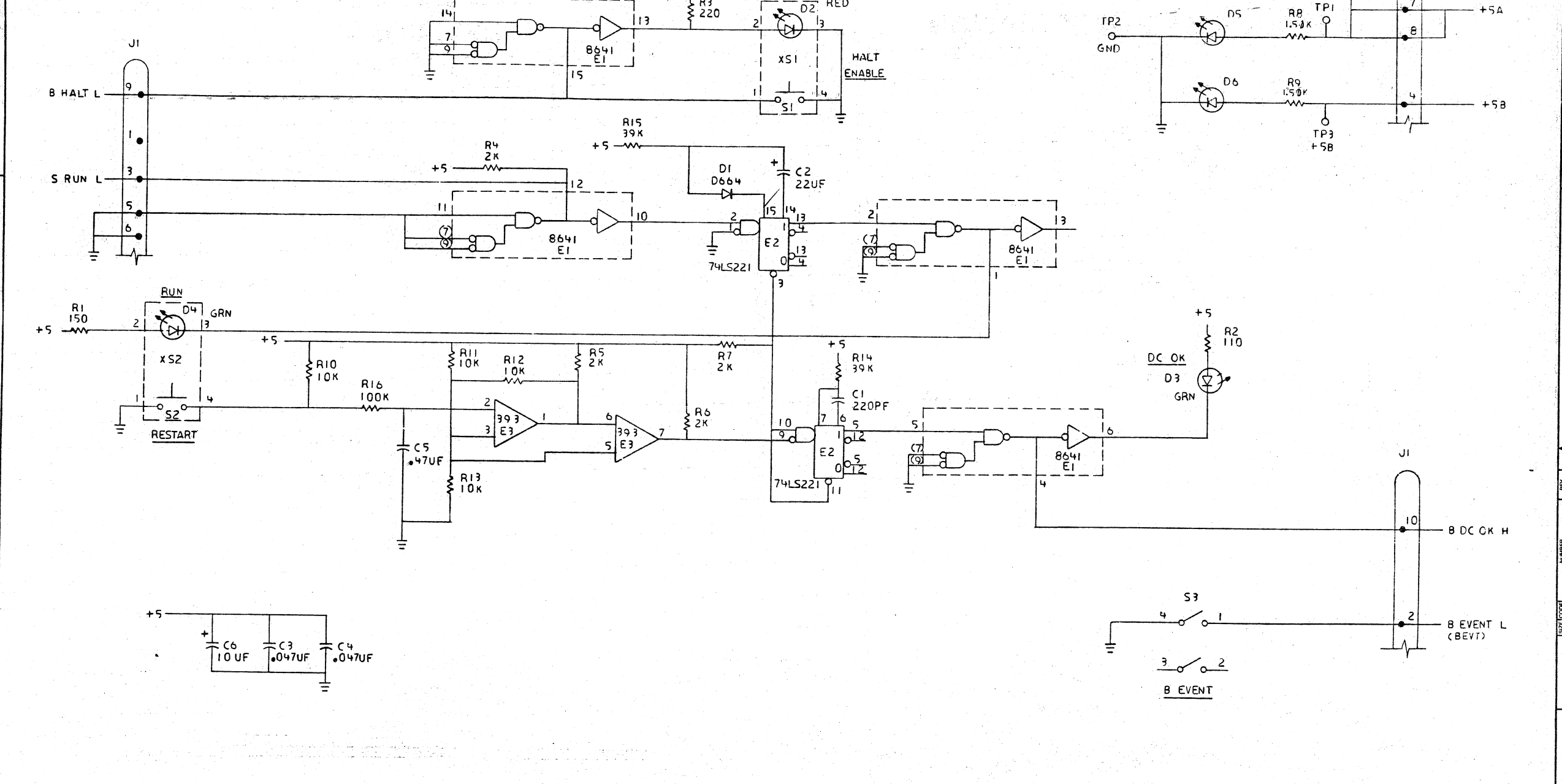
SIGNATURES	DATE	digital	TITLE	BAI23-A	
DRN. S. D. [Signature]	4/10/84				
CHK. D. [Signature]	7/10/84				
MECH. ENG. [Signature]	7/17/84				
PROJ. ENG. [Signature]	7/27/84				
PROD. [Signature]	7/27/84	SIZE	CODE	NUMBER	REV
SCALE 2:1		D	UA	5416596-0-C	A
SHT. 1 OF 1					
TOP DOC NO. B-00-5416596-0-0					

DIGITAL EQUIPMENT CORPORATION  
DUA 5416596-0-C

8 7 6 5 4 3 2 1 MS#

8 6 5 4 3 2 1

THIS DRAWING AND SPECIFICATIONS HEREIN ARE THE PROPERTY OF DIGITAL EQUIPMENT CORPORATION AND SHALL NOT BE REPRODUCED OR COPIED OR USED IN WHOLE OR IN PART AS THE BASIS FOR THE MANUFACTURE OR SALE OF ITEMS WITHOUT WRITTEN PERMISSION. COPYRIGHT 1984 DIGITAL EQUIPMENT CORPORATION



REV.	DATE

DRN: S. Sogale	DATE: 3-30-84	TITLE: digital
CHKD: James P. ...	DATE: 7-7-84	BAI23-A FRONT PANEL
DES. ENG: James P. ...	DATE: 7-7-84	
APP. ENG: James P. ...	DATE: 7-9-84	DOCUMENT NUMBER
MFG. ENG: ...	DATE: 7-12-84	D CS 5416596-0-1 A
NEXT HIGHER DOC. NO.:	B-DD-5416596-0-0	SCALE: 1/1

8 7 6 5 4 3 2 1

D C B A

DRAWING NO.	NO. OF SHTS.	PART NO.	DESCRIPTION	REVISIONS																				
				REV.	DATE	BY	REASON	REV.	DATE	BY	REASON	REV.	DATE	BY	REASON									
		5416665-01	TEMP SENSOR BD.	A1																				
D-UA-5416665-0-0	1		TEMP SENSOR BD.	A																				
D-CS-5416665-0-1	1		TEMP SENSOR BD.	A																				
K-PL-5416665-0-DBP	1		TEMP SENSOR BD.	A																				
K-PC-5416665-0-DBC			P.C DESIGN DATA BASE	A																				
		5016664-01	ETCHED CIRCUIT BOARD	B1																				
B-DD-5016664-0-0	1		DRAWING DIRECTORY	A																				
<b>NOTES:</b>				REVISION HISTORY	DATE	ECO NO.	REV.																	
					10/84	INIT	A																	

**NOTES:**

THIS DRAWING AND THE SPECIFICATIONS CONTAINED HEREIN ARE CONFIDENTIAL AND PROPRIETARY. THEY ARE THE PROPERTY OF DIGITAL EQUIPMENT CORPORATION AND SHALL NOT BE REPRODUCED OR COPIED OR USED IN WHOLE OR IN PART AS THE BASIS FOR THE MANUFACTURE OR SALE OF ITEMS WITHOUT WRITTEN PERMISSION. THIS IS AN UNPUBLISHED WORK PROTECTED UNDER THE FEDERAL COPYRIGHT LAWS.

1984



DRN. P. LENNON	DATE 10/23/84
CHK'D D. BARRIERE	DATE 10/23/84
DES. ENG. T. ORR	DATE 10/23/84
RESP. ENG. T. ORR	DATE 10/23/84
MFG. ENG.	DATE

TITLE	TEMP SENSOR BOARD
DOCUMENT NUMBER	5416665-0-0
SIZE	<b>B DD</b>
NUMBER	5416665-0-0
REV.	<b>A</b>
SHEET	1 OF 1

DRB 128C EN-01242-18-REVA(396)

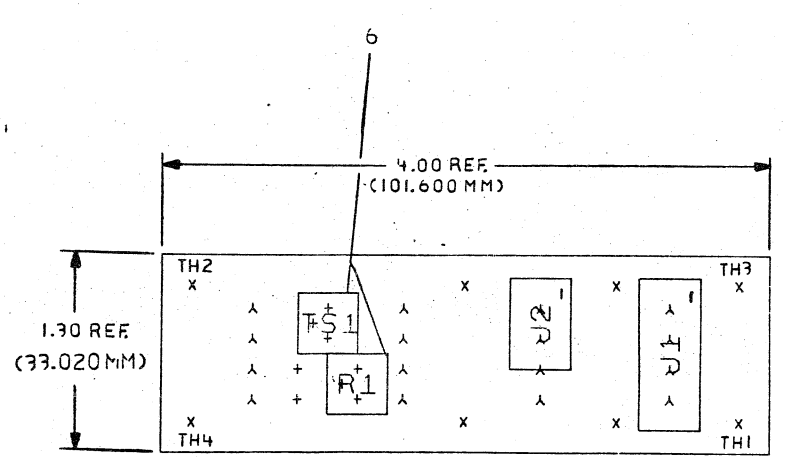
LINE	ITEM	TOP DOCUMENT	PART NUMBER	MIN REV	DESCRIPTION	QTY PER VARIATION	REFERENCE DESIGNATOR
					VARIATION REVISION LEVEL:	A1	
1	1	D-MD-5016664-0-0	5016664-01		CIRCUIT DRILL & ETCH	1	
2	2		1324146-01		500.0 5.0 % THERM	1	R1
3	3		1223681-03		THERMOSTAT,NO C@ 50C	1	TS1
4	4		1211342-04		MATE-N-LOK 04PIN(1X04).200CC HDR	1	J1
5	5		1211342-02		MATE-N-LOK 02PIN(1X02).200CC HDR	1	J2
6	6		9007254-00		TRANSIPADS #10146	2	

REVISION HISTORY			BASIC PART NO: 5416665			DRN: T. ORR			DATE: 25-OCT-84			D I G I T A L		
ENG	ECO NUMBER	REV	SECTION A OF A			CHK'D: D. BARRIERE			DATE: 25-OCT-84			TITLE PARTS LIST		
TO	INITIAL	A	SECTION VARIATION INDEX			DES.ENG: T. ORR			DATE: 25-OCT-84			DOCUMENT NUMBER		
			[A]	01							SIZE	CODE	NUMBER	REV
			[B]								K	PL	5416665-0-DBP	A
			[C]											
			[D]											
			[E]											
			[F]											
			[H]											
			[J]											
			[K]											
			[L]											
			[M]											
			[N]											
			ASSEMBLY NUMBER:			TOP DOCUMENT NUMBER:			FILE NAME:			EDIT #		
			D-UA-5416665-0-0			B-DD-5416665-0-0			ML247A.PLS			3		

"THIS DRAWING AND THE SPECIFICATIONS CONTAINED HEREIN ARE CONFIDENTIAL AND PROPRIETARY. THEY ARE THE PROPERTY OF DIGITAL EQUIPMENT CORPORATION AND SHALL NOT BE REPRODUCED OR COPIED OR USED IN WHOLE OR IN PART AS THE BASIS FOR THE MANUFACTURE OR SALE OF ITEMS WITHOUT WRITTEN PERMISSION. THIS IS AN UNPUBLISHED WORK PROTECTED UNDER THE FEDERAL COPYRIGHT LAWS."

THIS DRAWING AND SPECIFICATIONS HEREIN ARE THE PROPERTY OF DIGITAL EQUIPMENT CORPORATION AND SHALL NOT BE REPRODUCED OR COPIED OR USED IN WHOLE OR IN PART IN THE MANUFACTURE OR SALE OF ITEMS WITHOUT WRITTEN PERMISSION. COPYRIGHT © 1984 DIGITAL EQUIPMENT CORPORATION

0-0-5416665-0-0 2 1



NOTES:  
1: ON SIDE ONE, IDENTIFY POINT OF MANUFACTURE, DATE CODE AND REVISION

STEP	E	↑ Y AXIS	STEP	TIMES
REPEAT		→ X AXIS	STEP	TIMES

CHANGE NO	REV

ETCH REV. B1

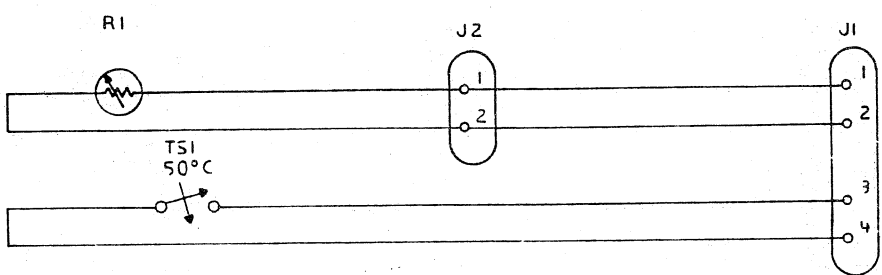
SIGNATURES	DATE	digital
DRN. <i>[Signature]</i>	26 8/84	TITLE TEMP SENSOR BD
CHK'D <i>[Signature]</i>	10/29/84	
MECH. ENG. <i>[Signature]</i>	11/2/84	
PROJ. ENG. <i>[Signature]</i>	11/2/84	
PROD. <i>[Signature]</i>	11/2/84	
SCALE 2:1	SIZE CODE	NUMBER
SHT. 1 OF 1	D UA 5416665-0-0	A
TOP DOC. NO. B-DD-5416665-0-0		

1 MS#1326925

8 6 5 4 3 2 1

REV. 1-0-59991455D

THIS DRAWING AND SPECIFICATIONS HEREIN ARE THE PROPERTY OF DIGITAL EQUIPMENT CORPORATION AND SHALL NOT BE REPRODUCED OR COPIED OR USED IN WHOLE OR IN PART AS THE BASIS FOR THE MANUFACTURE OR SALE OF ITEMS WITHOUT WRITTEN PERMISSION. COPYRIGHT © 1984 DIGITAL EQUIPMENT CORPORATION



REV.	
ECO NUMBER	
DATE	

DRW. <i>L. Angeles</i>	DATE 24 OCT 84	TITLE digital
CHG'D <i>R. Broune</i>	DATE 24 OCT 84	TEMP SENSOR BD
DES. ENGR. <i>J. Platt</i>	DATE 13 OCT 84	DOCUMENT NUMBER
HEP. ENGR. <i>J. Platt</i>	DATE 13 OCT 84	D CS 5416665-0-1 A
APP. ENGR. <i>R. L. ...</i>	DATE	SCALE
NON-RESPONSIBLE TOP DOC. NO. B-DD-5416665-0		SHEET OF

8 7 6 5 4 3 2 1

REV. 1-0-59991455D

D CS 5416665-0-1 A



