

ILLUSTRATED PARTS BREAKDOWN

LA36 DECwriter II

HOW TO USE THE IPB

GENERAL

This IPB is compiled following the organization and nomenclature of the engineering drawing structure.

MAJOR ASSEMBLY LOCATOR

The Major Assembly Locator (first illustration) is an index that provides a description and a figure reference for all illustrations used in this manual.

INDENTED PARTS LIST

This manual identifies each assembly being broken down (figure reference callout), and all parts of that assembly. Further breakdown of an assembly is shown by an asterisk (*) preceding the item callouts in the Description Column. The number of asterisks preceding an item is used to denote the subordination of that item with respect to the Major Assembly. A single asterisk preceding an item description indicates that the item is part of the major assembly being illustrated. Items that are subordinate to single asterisks items, are denoted by two asterisks (**) and immediately follow the related single asterisk item. Additional asterisks are used, as required, to denote further subordination. This system of part identification, provides a means for the user to identify the next higher assembly item and make alternate selections for parts when the required replacement part or assembly is not immediately available.

COLUMN CALLOUT DESCRIPTION

Figure & Item — Indicates the figure number and item number of each part.

Description — Lists the name of the part and pertinent specifications (when required). Asterisks preceding the description denote the subordination of the part to the next higher assembly.

DEC Part No. — Lists the DEC part ordering number. A blank in this column indicates a DEC part number was not assigned at the time of publication.

ECO Cut-In — The notation at the top of this column indicates the ECO level of the system (option), at which the IPB was initially prepared. Subsequent ECO level designations, that modify existing parts or add new parts to the device, are inserted in the ECO Cut-In column next to the part that is added or modified. A bracket ([]) preceding the item description is used to indicate the parts affected by ECO's.

Vendor Code/Part No. — Indicates vendor parts that are not stocked by DEC. Refer to the Field Service Spares Catalog (vendor part number to DEC part number) for the vendor code cross-reference.

Used On Code — Letters in this column correspond to the variation codes assigned in Figure 1. Parts with an Alpha notation(s) are used only in those option variations. A blank indicates that the part is used on all option variations.

Ref Fig No. — A cross reference between illustrations. For each Major Assembly, the number in this column denotes the figure of the next higher assembly. For all subassemblies, the number in this column denotes the figure showing additional detailed breakdown.

SYMBOL USAGE

Hardware Designators — Alpha designators for screws (S), washers (W), nuts (N), and retaining rings (R) are inserted after the item number callouts on the illustration when stacked item numbers are used.

Attaching Hardware — The @ symbol is inserted before any part that is used as attaching hardware. Attaching hardware is denoted as those parts that are not an integral part of the referenced assembly.

(NFR) Not Field Repairable — The (NFR) symbol is inserted after any assembly that is not to be field dismantled.

Other Symbols — Any other symbols that are required for kits, accessories, etc., will be explained and appear as part of the item description.

REVISION HISTORY

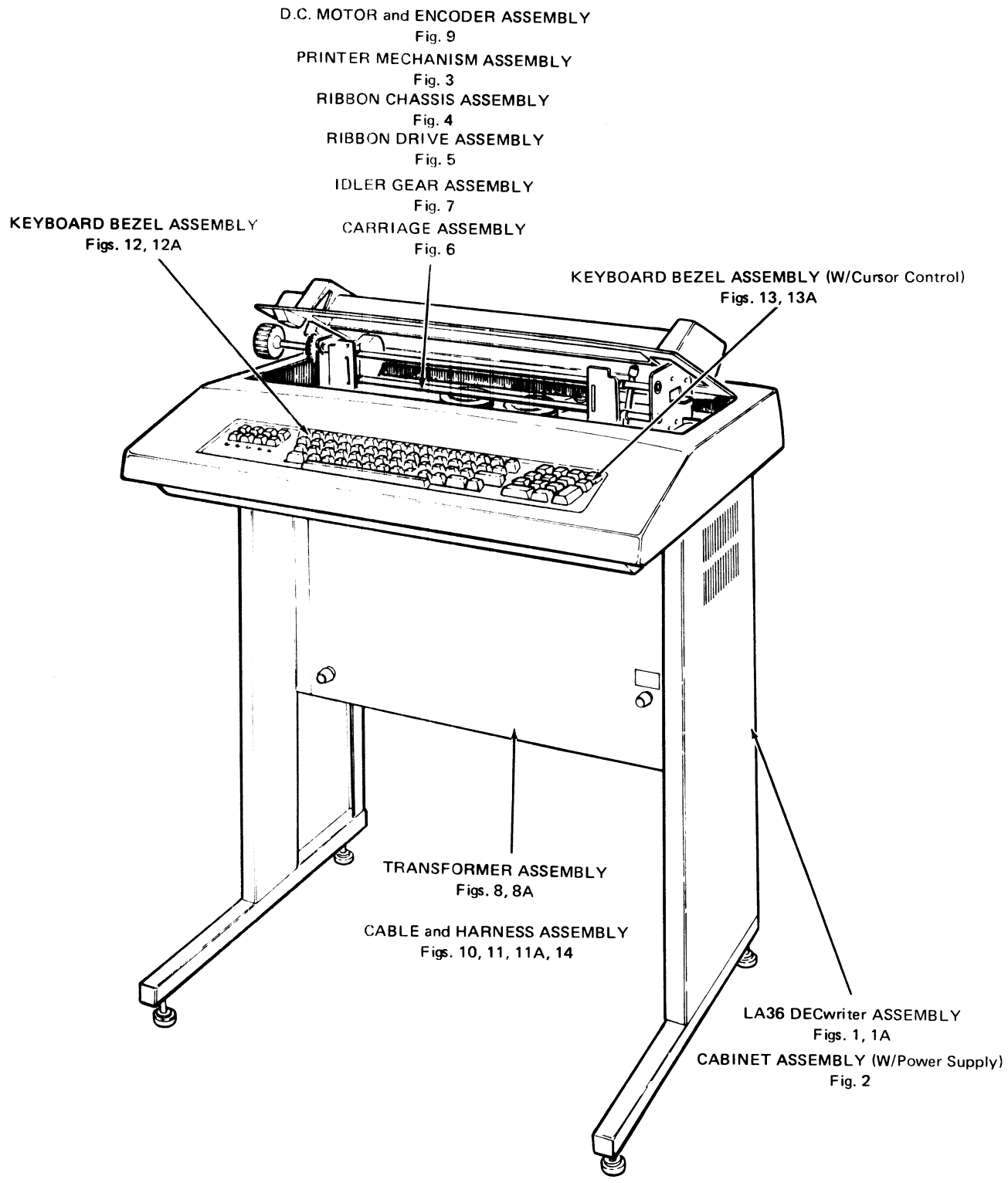
PRINTING	ECO LEVEL	DATE	PAGES AFFECTED
3rd Printing	LA36 00001-00184	2-18-76	This 3rd Printing EK-LA36-IP-003
"	70-096994 00000-00000		SUPERSEDES 2nd Printing EK-LA36-IP-002

Copyright © 1974, 1975, 1976 by Digital Equipment Corporation

DEC reserves the right, without notice, to make substitutions and modifications in the specifications of products documented in this manual and further reserves the right to withdraw any of these products from the market without notice.

DEC is not responsible for errors which may appear in the technical description (including illustrations and photographs) of the products covered by this manual.

None of the descriptions contained in this manual imply the granting of any license whatsoever to make, use or sell equipment constructed in accordance therewith.



LA36-01

Major Assembly Locator, LA36 DECwriter II

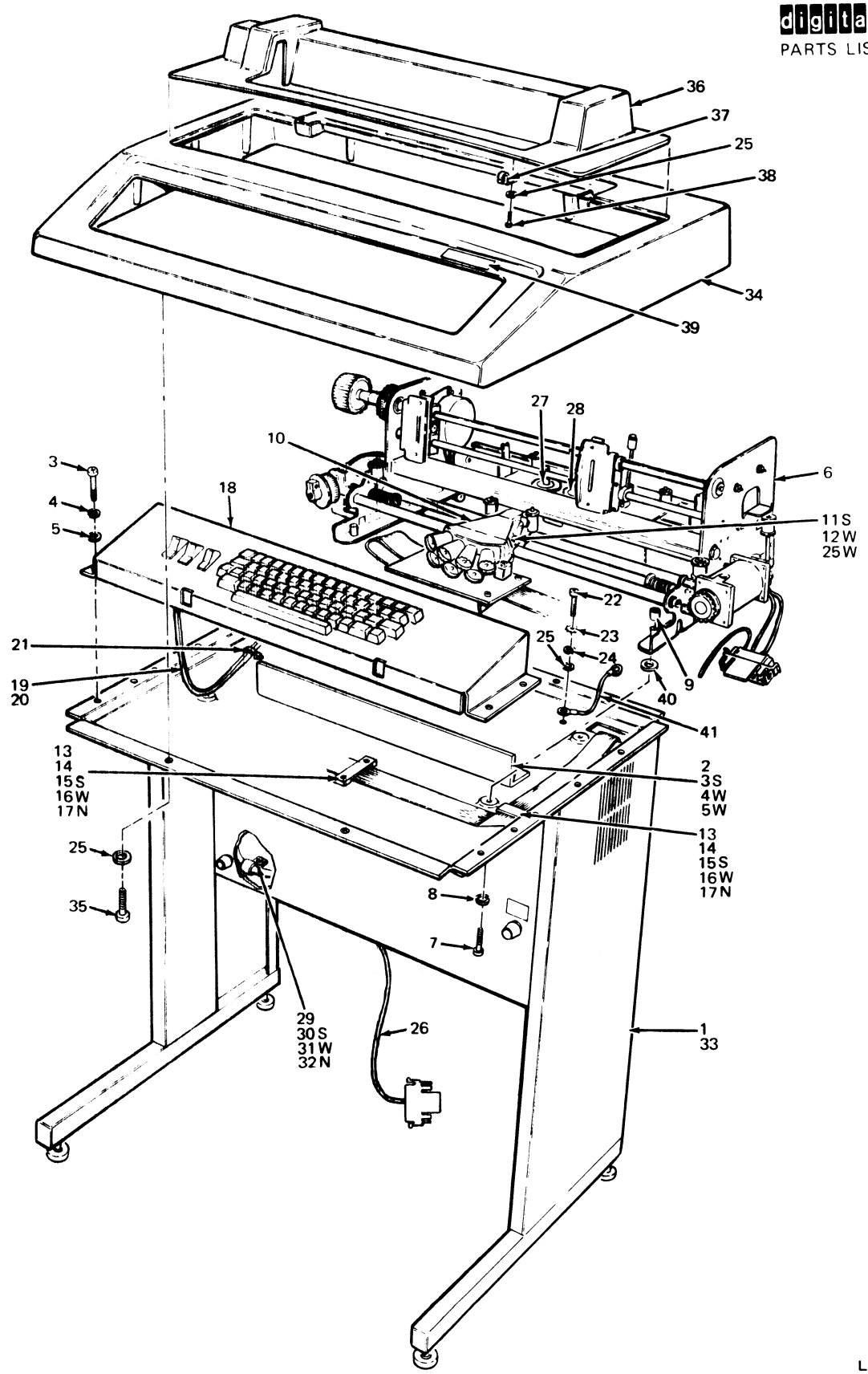
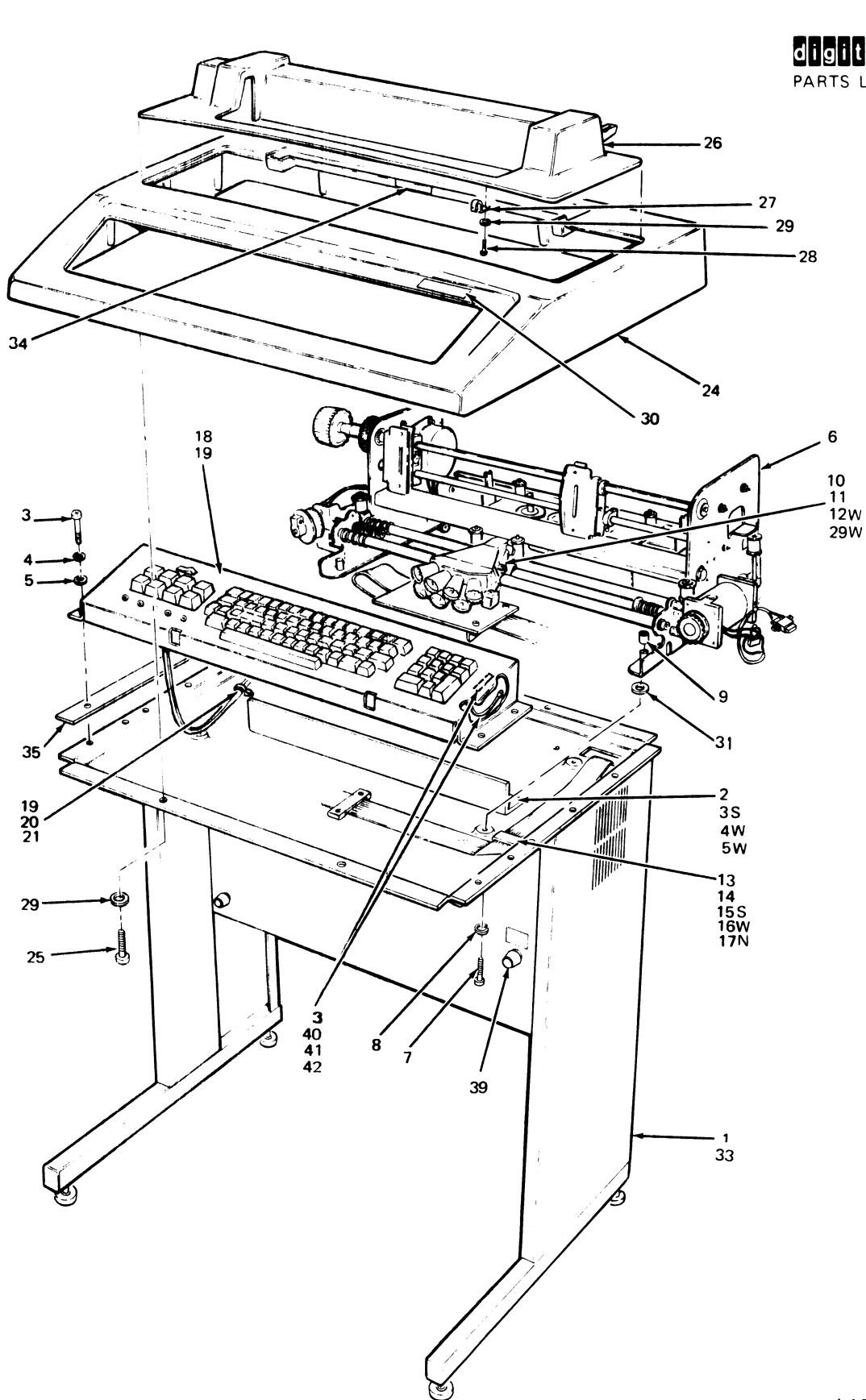


Figure 1. LA36 DECwriter Assembly

LA36-02

FIG & ITEM NO.	DESCRIPTION	R		ECO CUT-IN LA36 00001	USED ON CODE	VENDOR		REF FIG NO.
		DEC PART NO.				CODE	PART NO.	
1-	MODEL LA36 DECwriter II							
	Code A used on LA36-CA (deleted) (20 mA Current Loop, Numeric Pad, 115V)	LA36-CA		00165	A			
	Code B used on LA36-CB (deleted) (20 mA Current Loop, Numeric Pad, 230V)	LA36-CB		00165	B			
	Code C used on LA36-CC (deleted) (20 mA Current Loop, Numeric Pad, 115V, PDP-10)	LA36-CC		00165	C			
	Code D used on LA36-CD (deleted) (20 mA Current Loop, Numeric Pad, 230V, PDP-10)	LA36-CD		00165	D			
	Code E used on LA36-DA (deleted) (20 mA Current Loop, 115V)	LA36-DA		00165	E			
	Code F used on LA36-DB (deleted) (20 mA Current Loop, 230V)	LA36-DB		00165	F			
	Code G used on LA36-DC (deleted) (20 mA Current Loop, 115V, PDP-10)	LA36-DC		00165	G			
	Code H used on LA36-DD (deleted) (20 mA Current Loop, 230V, PDP-10)	LA36-DD		00165	H			
1	*CABINET ASSEMBLY W/POWER SUPPLY (115V) (deleted)	70-09648-01		00138	ACEG			2
	*CABINET ASSEMBLY W/POWER SUPPLY (230V) (deleted)	70-09648-02		00138	BDFH			2
2	*Guide, Paper (deleted)	74-11430-00						
	*Guide, Paper (added)	74-12158-00		00052				
3	*Screw, Phi Pan Hd No. 8-32 x .38	90-06037-01						
4	*Washer, Flat No. 8	90-06660-00						
5	*Washer, Lock Split No. 8	90-06690-00						
6	*PRINTER MECHANISM ASSEMBLY	70-09696-00						3
7	*Screw, Phi Pan Hd No. 10-32 x .94	90-08955-01						
8	*Washer, Lock Split No. 10	90-07906-00						
9	*Nut, Well No. 10-32	90-08896-00						
10	*PRINT HEAD ASSEMBLY (NFR)	70-09883-00						
11	*Screw, Phi Pan Hd No. 6-32 x .56	90-07793-01						
12	*Washer, Lock Int Tooth No. 6	90-06633-00						
13	*Clamp, Cable	12-02704-00						
14	*Tape, Double Coated, .50 Wide	90-07834-00						
15	*Screw, Phi Pan Hd No. 4-40 x .38	90-06011-01						
16	*Washer, Flat No. 4	90-06658-00						
17	*Nut, Kep No. 4-40	90-06557-00						
18	*KEYBOARD BEZEL ASSEMBLY	70-09750-01			EFGH			12
	*KEYBOARD BEZEL ASSEMBLY (With Numeric Pad)	70-09750-02			ABCD			13
19	*CABLE ASSEMBLY (LA36 Keyboard)	70-10000-00			A-H			11
20	*Jumper (LA36 Keyboard, Not Shown)	70-10001-04						
21	*Cable Tie	90-07031-00						
22	*Screw, Phi Pan Hd No. 6-32 x .38	90-06022-01						
23	*Washer, Lock Ext Tooth No. 6	90-07649-00						
24	*Washer, Lock Split No. 6	90-07801-00						
25	*Washer, Flat No. 6	90-06653-00						

FIG & ITEM NO.	DESCRIPTION	DEC PART NO.	ECO CUT-IN LA36 00001	USED ON CODE	VENDOR		REF FIG NO.
					CODE	PART NO.	
1-							
26	*CABLE ASSEMBLY (BC05F Interface)	BC05F-15		ABEF			14
27	*Ribbon Spool (w/Ribbon)	36-10558-00					
28	*Ribbon Spool (Empty)	36-10966-00					
29	*Clamp, Cable (deleted)	90-07089-00	00052				
30	*Screw, Phi Pan Hd No. 10-32 x .38 (deleted)	90-06071-01	00052				
31	*Washer, Flat No. 10 (deleted)	90-06664-00	00052				
32	*Nut, Kep No. 10-32 (deleted)	90-06565-00	00052				
33	*Connector, P2, Pin Housing, Mate-N-Lok (Plugs into PB-J5)	12-09340-01					
34	*Housing	74-11116-00					
35	*Screw, Phi Pan Hd No 6-18 x .50 (Self Tapping)	90-09630-01					
36	*Cover	74-11122-00					
37	*Clip, Cover	74-11818-00					
38	*Screw, Phi Pan Hd No 6-18 x .38 (Self Tapping)	90-09622-01					
39	*Nameplate (LA36)	36-11826-00					
40	*Washer, Buna (added)	90-09684-00	00053				
41	*Jumper (added)	70-10001-07	00052				
42	*Spacer, Bezel (added)	74-13675-00	00119				
	Accessories/Options						
	†Paper (Package of 100 sheets)	74-12103-00					
	†Basket, Paper	74-12016-00					
	†Table Top	34-11736-00					
	†Bracket, Table Support	74-11972-00					
	†Table Assembly	70-09897-00					
	†Wheel Assembly	70-09751-00					
	†Wheel, Caster	74-11826-00					
	†Bracket, Wheel	74-11824-00					

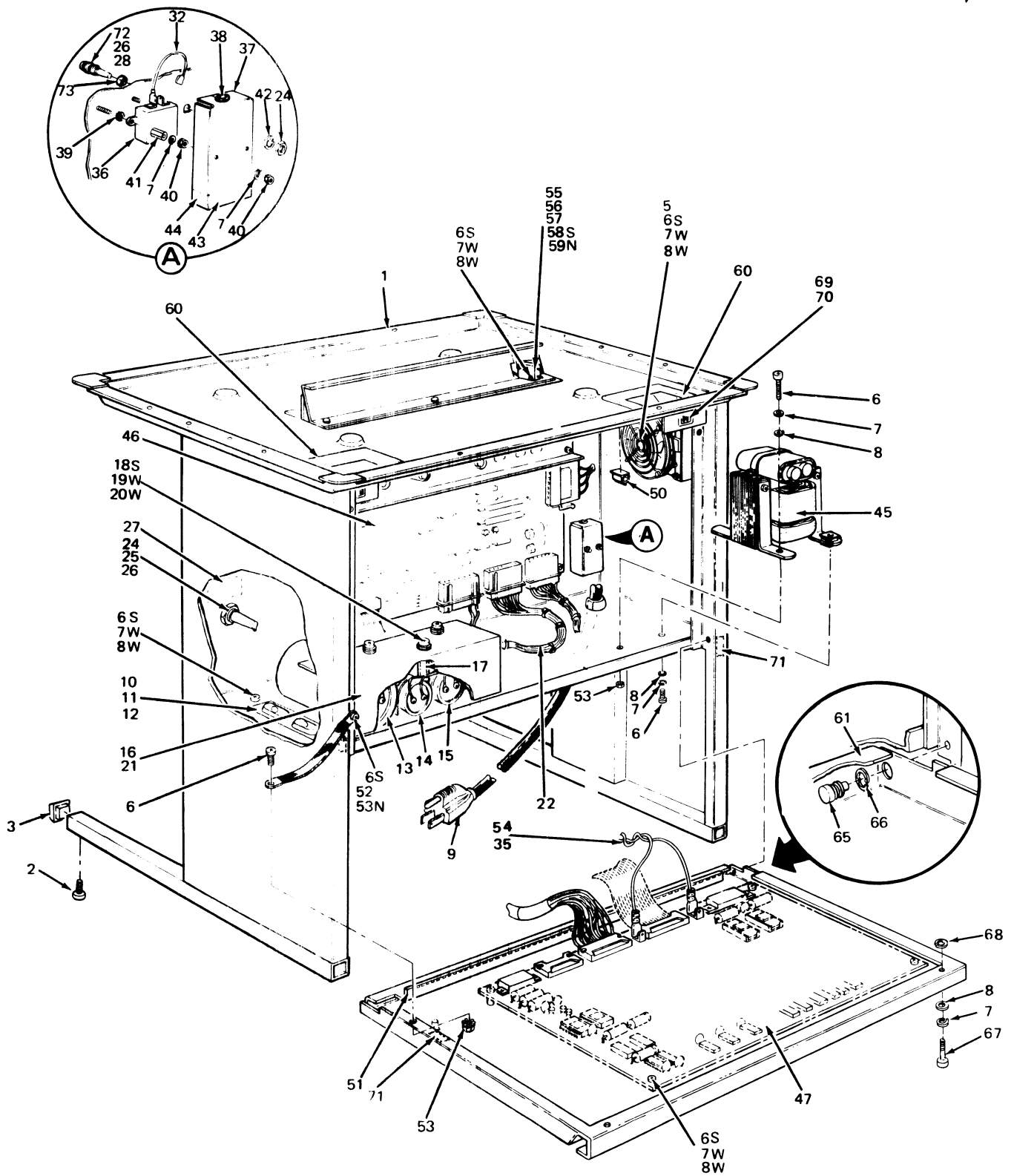


LA36-02A

Figure 1A. LA36 DECwriter Assembly

FIG & ITEM NO.	DESCRIPTION	DEC PART NO.	S ECO CUT-IN LA36 00165	USED ON CODE	VENDOR		REF FIG NO.
					CODE	PART NO.	
1A--	MODEL LA36 DECwriter II						
	Code J used on LA36-CE (Numeric Pad, Paper Out, 60 Hz, 90-132 V)	LA36-CE		J			
	Code K used on LA36-CF (Numeric Pad, Paper Out, 60 Hz, 180-264 V)	LA36-CF		K			
	Code L used on LA36-CH (Numeric Pad, Paper Out, 50 Hz, 90-132 V)	LA36-CH		L			
	Code M used on LA36-CJ (Numeric Pad, Paper Out, 50 Hz, 180-264 V)	LA36-CJ		M			
	Code N used on LA36-DE (60 Hz, 90-132 V)	LA36-DE		N			
	Code P used on LA36-DF (60 Hz, 180-264 V)	LA36-DF		P			
	Code Q used on LA36-DH (50 Hz, 90-132 V)	LA36-DH		Q			
	Code R used on LA36-DJ (50 Hz, 180-264 V)	LA36-DJ		R			
1	*CABINET ASSEMBLY W/POWER SUPPLY (110V, 60 Hz)	70-09648-01		J N			2
	*CABINET ASSEMBLY W/POWER SUPPLY (220V, 50 Hz)	70-09648-02		M R			2
	*CABINET ASSEMBLY W/POWER SUPPLY (110V, 50 Hz)	70-09648-03		L Q			2
	*CABINET ASSEMBLY W/POWER SUPPLY (220V, 60 Hz)	70-09648-04		K P			2
2	*Guide, Paper	74-12158-00					
3	*Screw, Phi Pan Hd No. 8-32 x .38	90-06037-01					
4	*Washer, Flat No. 8	90-06660-00					
5	*Washer, Split Lock No. 8	90-06690-00					
6	*PRINTER MECHANISM ASSEMBLY	70-09696-00					3
7	*Screw, Phi Pan Hd No. 10-32 x .94	90-08955-01					
8	*Washer, Split Lock No. 10	90-07906-00					
9	*Nut, Well No. 10	90-08896-00					
10	*PRINT HEAD ASSEMBLY (NFR)	70-09883-00					
11	*Screw, Phi Pan Hd No. 6-32 x .56	90-07793-01					
12	*Washer, Int Tooth Lock No. 6	90-06633-00					
13	*Clamp, Cable	12-02704-00					
14	*Tape, Double Coated, .50 wide	90-07834-00					
15	*Screw, Phi Pan Hd No. 4-40 x .38	90-06011-01					
16	*Washer, Flat No. 4	90-06658-00					
17	*Nut, Keps No. 4-40	90-06557-00					
18	*KEYBOARD BEZEL ASSEMBLY	70-09750-01		NPQR			12A
	*KEYBOARD BEZEL ASSEMBLY W/CURSOR CONTROL	70-09750-02		JKLM			13A
19	*KEYBOARD CABLE ASSEMBLY (LA36)	70-11519-00					11A
20	*Jumper	70-10001-11					
21	*Cable Tie	90-07031-00					
22	*Connector, P2, Pin Housing, 8 Pin Mate-N-Lok (Not Shown)	12-09340-01					
23	*Cable Tie Mount (Not Shown)	90-07867-00					
24	*Housing	74-11116-00					

FIG & ITEM NO.	DESCRIPTION	DEC PART NO.	ECO CUT-IN LA36 00165	USED ON CODE	VENDOR		REF FIG NO.
					CODE	PART NO.	
1A-							
25	*Screw, Phi Pan Hd No. 6-18 x .50 (Self Tapping)	90-09630-01					
26	*Cover	74-11122-00					
27	*Clip, Cover	74-11818-00					
28	*Screw, Phi Pan Hd No. 6-18 x .38 (Self Tapping)	90-09622-01					
29	*Washer, Flat No. 6	90-06653-00					
30	*Nameplate, LA36	36-11826-00					
31	*Washer, Buna (deleted)	90-09684-00	00172				
32	*Jumper	70-10001-07					
33	*Jumper	70-10001-06					
34	*Decal, CAUTION/WARNING	36-12483-00					
35	*Spacer, Bezel	74-13675-00					
36	*Tubing, Heat Shrinkable	90-07253-09					
37	*Cable Tie, Screw Down	90-07033-00					
38	*Clip, Harness	90-08340-00					
39	*Fuse Holder	12-11638-00					
40	*Washer, External Tooth Lock No. 8	90-08072-00					
41	*Nut, Keps No. 8-32	90-06563-00					
42	*Decal, Ground Symbols	36-12680-00					
	ACCESSORIES						
	†Paper, Package of 100 Sheets	74-12103-00					
	†Ribbon Spool, w/Ribbon	36-10966-00					
	†Ribbon Spool, Empty	36-10558-00					

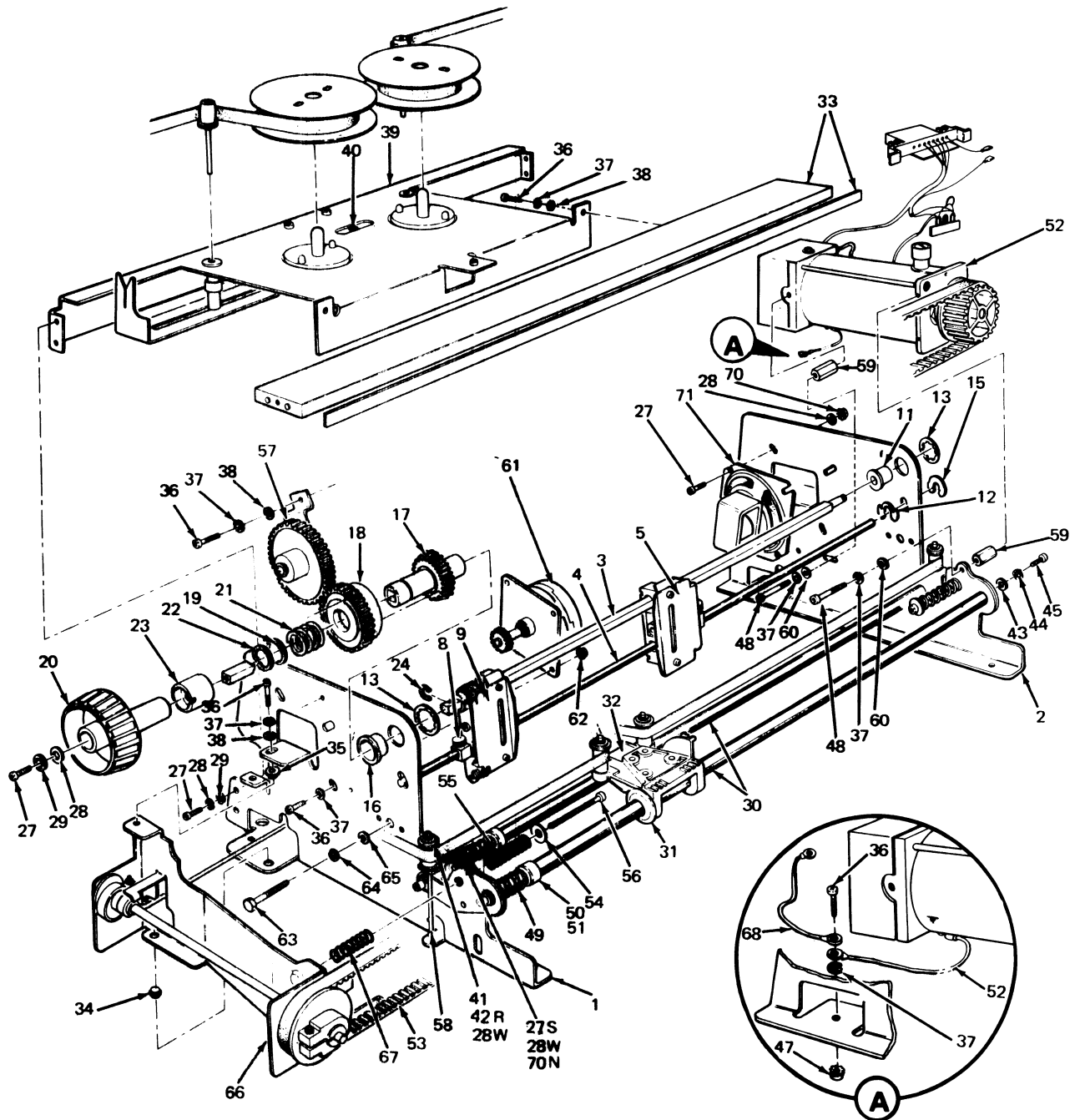


LA36-03A

Figure 2. Cabinet Assembly (W/Power Supply)

FIG & ITEM NO.	DESCRIPTION	DEC PART NO.	ECO CUT-IN LA36 00001	USED ON CODE	VENDOR		REF FIG NO.
					CODE	PART NO.	
2-	CABINET ASSEMBLY W/POWER SUPPLY 115V (deleted)	70-09648-01		ACEG			1A
	CABINET ASSEMBLY W/POWER SUPPLY 110V, 60 Hz (added)	70-09648-01	00138	JN			
	CABINET ASSEMBLY W/POWER SUPPLY 230V (deleted)	70-09648-02		BDFH			
	CABINET ASSEMBLY W/POWER SUPPLY 220V, 50 Hz (added)	70-09648-02	00138	MR			
	CABINET ASSEMBLY W/POWER SUPPLY 110V, 50 Hz (added)	70-09648-03	00138	LQ			
	CABINET ASSEMBLY W/POWER SUPPLY 220V, 60 Hz (added)	70-09648-04	00138	KP			
1	*Frame Assembly	70-09649-00					
2	*Foot, Leveling (deleted)	70-07601-00					
	*Foot, Leveling (added)	90-09685-00	00059				
3	*Closure, Tubing (deleted)	12-11067-00					
	*Closure, Tubing (added)	12-11067-02	00059				
4	*Bumper, Rubber (deleted)	90-09567-00	00118				
5	*Fan, 115V (115 CFM) Rotron or IMC (deleted)	12-09403-01					
	*Fan, 115V (100 CFM) Torin (deleted)	12-11993-00					
	*Fan, 115V (35 CFM) (added)	12-12581-02	00142				
6	*Screw, Phi Pan Hd No. 8-32 x 1.75 (For Rotron) (deleted)	90-06046-01	00142				
	*Screw, Phi Pan Hd No. 8-32 x .38 (added)	90-06037-01	00164				
7	*Washer, Split Lock No. 8	90-06690-00					
8	*Washer, Flat No. 8	90-06660-00					
9	*POWER CORD ASSEMBLY (115V) (deleted)	70-09673-00		ACEG			
	*POWER CORD ASSEMBLY (120V) (added)	70-09673-00		JN LQ			
	*POWER CORD ASSEMBLY (230V) (deleted)	70-09673-01		BDFH			
	*POWER CORD ASSEMBLY (230V) (added)	70-11045-00		MR KP			
10	*Plate, Cover	74-11607-00					
11	*Strain Relief (deleted)	90-08509-00					
	*Strain Relief (added)	90-09768-00	00164				
12	*Strain Relief	90-09572-00					
13	*Capacitor, 33,000 MFD	10-11545-00					
14	*Capacitor, 18,000 MFD (deleted)	10-11643-00					
	*Capacitor, 37,000 MFD (added)	10-10426-00	00138				
15	*Capacitor, 14,000 MFD	10-10187-00					
16	*Cover, Capacitor (added)	74-15114-00	00164				
17	*Spacer, No. 10-32 x .375 x 3.00 (added)	90-06881-00	00164				
18	*Screw, Phi Pan Hd No. 10-32 x .50 (added)	90-06073-00	00164				
19	*Washer, Split Lock No. 10 (added)	90-07906-00	00164				
20	*Washer, Flat No. 10 (added)	90-06664-00	00164				
21	*Tie Wrap	90-09350-00					
22	*HARNESS ASSEMBLY (Capacitor)	70-09895-00					
23	*Bracket, Fuse Mounting (deleted)	74-11925-00	00052				10
24	*Fuse Holder	12-11638-00					
25	*Fuse, Slo-Blo 2 amps	90-07216-00					
26	*Fuse, Slo-Blo 1 amp (deleted)	90-07212-00					
	*Fuse, Slo-Blo 1.5 amp (added)	90-09740-00	00138				
27	*Decal, Fuse	74-13384-00					
28	*Fuse, Slo-Blo 3 amp	90-07218-00					

FIG & ITEM NO.	DESCRIPTION	DEC PART NO.	ECO CUT-IN LA36 00001	USED ON CODE	VENDOR		REF FIG NO.
					CODE	PART NO.	
2-							
29	*Capacitor, .1 MFD, 1000V (deleted)	10-00034-00	00052				
30	*Screw, Phi Pan Hd No. 6-32 x .38 (deleted)	90-06022-01	00052				
31	*Nut, Kep No. 6-32 (deleted)	90-06560-00	00052				
32	*Jumper (deleted)	70-10001-04					
	*Jumper (added)	70-10001-08	00139				
33	*Jumper (deleted)	70-10001-02	00139				
34	*Jumper	70-10001-12	00177				
35	*Jumper (added)	70-10001-11	00161				
36	*Filter, EMI (added)	12-12003-00	00052				
37	*Cover, EMI Filter (added)	74-13286-00	00052				
38	*Grommet, Rubber (added)	90-07013-00	00052				
39	*Washer, Ext Tooth No. 8 (added)	90-08072-00	00052				
40	*Nut, Hex No. 8-32 (added)	90-06561-00	00163				
41	*Spacer, No. 8 x .75 (added)	90-07868-00	00163				
42	*Washer, Int Tooth (added)	90-08292-00	00156				
43	*Grommet (added)	90-09718-02	00156				
44	*Grommet (added)	90-09718-03	00156				
45	*TRANSFORMER ASSEMBLY (deleted)	70-09779-00		A-H			8
	*TRANSFORMER ASSEMBLY (60 Hz) (added)	70-09779-01	00138	JNKP			8A
	*TRANSFORMER ASSEMBLY (50 Hz) (added)	70-09779-02	00138	LQMR			8A
46	*Power Board Assembly	54-10805-00					
47	*Logic Board Assembly (deleted)	M7722	00103				
	*Logic Board Assembly (deleted)	M7723					
	*Logic Board Assembly (added)	M7728	00135				
48	*Jumper, 110V	70-09905-01					
49	*Jumper, 220V	70-09905-02					
50	*Clip, Harness (added)	90-08340-00	00162				
51	*Grommet (added)	90-09718-00	00162				
52	*Ground Strap (added)	90-06990-00	00021				
53	*Nut, Kep No. 8-32 (added)	90-06563-00	00021				
54	*Tubing, Heat Shrink (added)	91-07253-09	00161				
55	*Cable, Paper out (added)	70-11657-00	00162				
56	*Switch, Rework (added)	74-12424-00	00162				
57	*Paper Guide (added)	74-12158-00	00162				
58	*Screw, Phi Pan Hd No. 4-40 x 9/16 (added)	90-08033-01	00162				
59	*Nut, Keps No. 4-40 (added)	90-06557-00	00162				
60	*Foam, Protective	74-14144-00					
61	*Door, Cabinet	74-11120-00					
62	*Bushing, Snap in Nylon (deleted)	90-09561-00	00164				
63	*Bushing, Nylon (deleted)	90-09565-01	00164				
64	*Screw, Hex Hd Cap No. 3/8-16 x 1.0 (deleted)	90-08922-09	00164				
65	*Pivot, Door (added)	74-15068-00	00164				
66	*E-Ring, External (added)	90-09773-00	00164				
67	*Screw, Special (added)	74-15067-00	00164				
68	*E-Ring, External (added)	90-09772-00	00164				
69	*Catch, Door Strike	90-09571-00					
70	*Catch, Door Latch	90-09571-01					
71	*Decal, Ground (added)	36-12680-00	00162				
72	*Fuse Holder (added)	12-12893-00	00177				
73	*Spacer, Fuse Holder (added)	74-15374-00	00177				

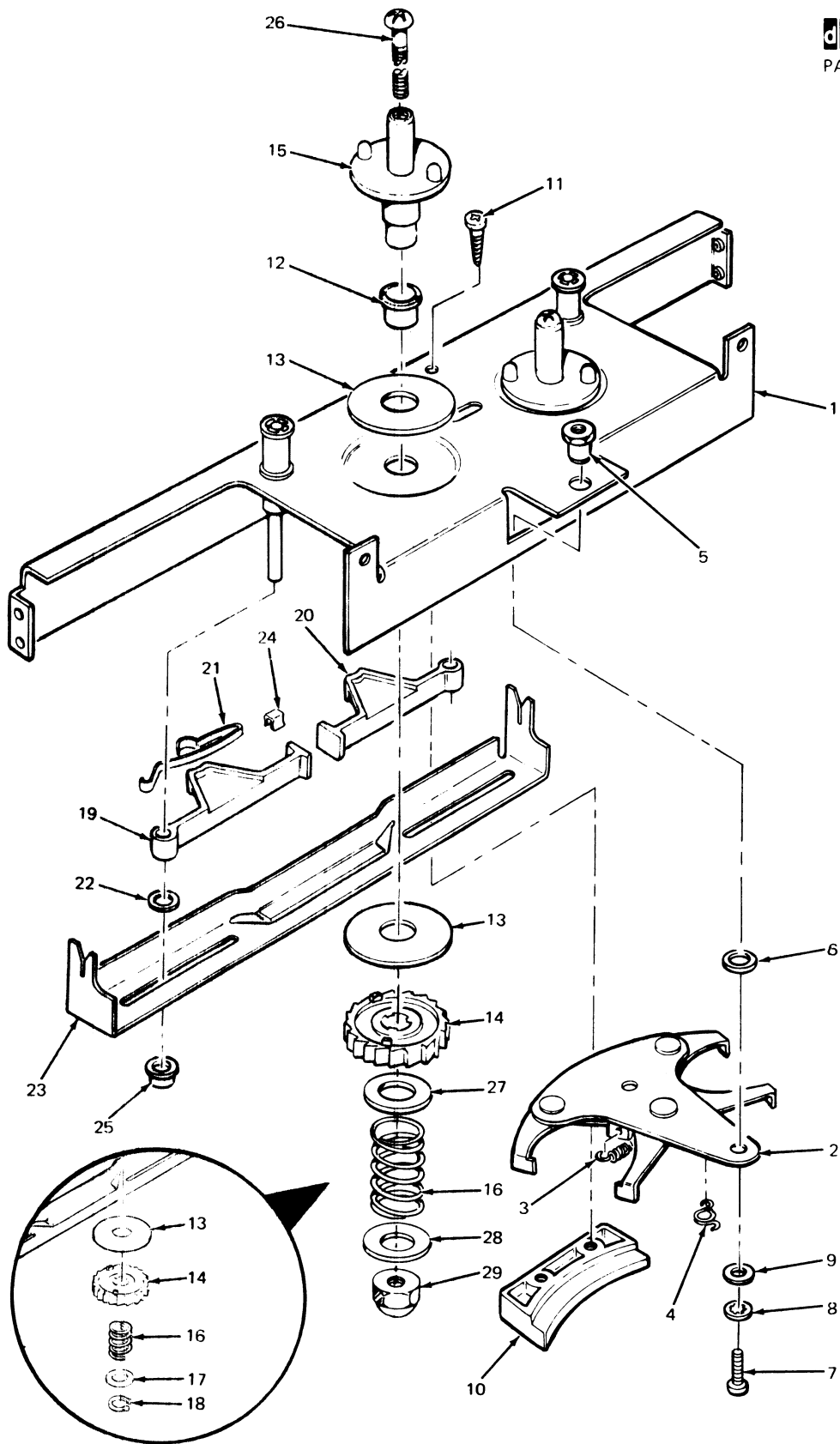


LA36-07A

Figure 3. Printer Mechanism Assembly

FIG & ITEM NO.	DESCRIPTION	T DEC PART NO.	ECO CUT-IN LA36 00001	USED ON CODE	VENDOR		REF FIG NO.
					CODE	PART NO.	
3-	PRINTER MECHANISM ASSEMBLY	70-09696-00					1A
1	*Plate, Side (LH)	74-11028-01					
2	*Plate, Side (RH)	74-11028-02					
3	*Shaft, Tractor Drive	74-11075-00					
4	*Shaft, Tractor Support	74-11076-00					
5	*TRACTOR ASSEMBLY (RH) (deleted)	70-09693-03					
	*TRACTOR ASSEMBLY (RH) w/Lock (added)	12-11662-05	00173				
6	**Shaft, Screw (deleted)	74-11908-00	00173				
7	**Retaining Ring (added)	90-09582-00	00039				
	**Retaining Ring (deleted)	90-09582-00	00173				
8	*Screw, Tractor Lock (added)	74-14433-00					
9	*TRACTOR ASSEMBLY (LH) (deleted)	70-09693-04					
	*TRACTOR ASSEMBLY (LH) w/Lock (added)	12-11662-04	00173				
10	*Washer, Flat No. 10 (deleted)	90-06664-00	00028				
11	*Bushing, Tractor Shaft Retaining	74-11425-00					
12	*Retaining Ring	90-09579-00					
13	*Retaining Ring Push-on	90-09257-00					
14	*Retaining Ring (deleted)	90-07975-00	00028				
15	*Retaining Ring Prong Lock	90-09581-00					
16	*Collar, Side Plate	74-11098-03					
17	*Hub, Clutch	74-11441-00					
18	*Gear, Drive Clutch	74-11440-00					
19	*Washer, Clutch	74-11443-00					
20	*Knob, Line Feed	74-11437-00					
21	*Spring, Compression	90-09592-00					
22	*Retaining Ring	90-09580-02					
23	*Adapter, Line Feed	74-12535-00					
24	*Retaining Ring (added)	90-09644-00	00028				
25	*Spring, Compression (added)	12-12353-00	00154				
	*Spring, Compression (deleted)	12-12353-00	00173				
26	*Washer, .697 OD x .375 ID x .062 (added)	90-07858-00	00154				
	*Washer, .697 OD x .375 ID x .062 (deleted)	90-07858-00	00173				
27	*Screw, Nylock 6-32 x .50 (deleted)	90-09591-01					
	*Screw, Phi Pan Hd No. 6-32 x .38 (added)	90-06022-00	00028				
28	*Washer, Flat No. 6	90-06653-01					
29	*Washer, Int Tooth Lock No. 6	90-06633-00					
30	*Shaft, Carriage	74-11033-00					
31	*CARRIAGE ASSEMBLY	70-09692-00					6
32	*Bushing, Plain	74-11108-00					
33	*PRINT BAR ASSEMBLY	70-10683-00					
34	*Pivot, Lower	74-11439-00					
35	*Ratchet, Pivot	74-11103-00					
36	*Screw, Phi Pan Hd No. 8-32 x .38	90-06037-01					
37	*Washer, Split Lock No. 8	90-06690-00					
38	*Washer, Flat No. 8	90-06660-00					
39	*RIBBON CHASSIS ASSEMBLY	70-09689-00					4
40	*Retaining Ring	90-09580-00					
41	*Frame, Ribbon Idler w/Bushing	74-11576-00					
42	*Retaining Ring	90-09273-00					
43	*Washer, Flat No. 10	90-06664-00					
44	*Washer, Split Lock No. 10	90-07906-00					

FIG & ITEM NO.	DESCRIPTION	DEC PART NO.	ECO CUT-IN LA36 00001	USED ON CODE	VENDOR		REF FIG NO.
					CODE	PART NO.	
3-							
45	*Screw, Socket Hd Cap No. 10-32 x .50	90-06346-08					
46	*Spring, Compression	90-09673-00					
47	*Nut, Lock No. 8-32	90-09061-00					
48	*Screw, Socket Hd Cap No. 8-32 x 1.00	90-07988-08					
49	*Spring (added)	74-13699-00	00082				
50	*Wick (added)	74-13698-00	00082				
51	*Reservoir, Oil (added)	74-13672-00	00082				
52	*DC MOTOR and ENCODER ASSEMBLY	70-09691-00					9
53	*Belt, Timing (deleted)	12-11583-00					
	*Belt, Timing (added)	12-11583-01	00155				
54	*Retainer, Bumper Spring	74-11412-00					
55	*Spring, Carriage Bumper	74-11816-00					
56	*Screw, Phi Pan Hd No. 10-32 x 2.00	90-06081-01					
57	*IDLER GEAR ASSEMBLY	70-09694-00					7
58	*Shaft, Idler	74-11575-00					
59	*Standoff, Hex .620	90-09583-00					
60	*Washer, Flat No. 8 x .062	90-06662-00					
61	*Stepping Motor, 16 V DC	12-11563-00					
62	*Nut, Kep No. 8-32	90-06563-00					
63	*Screw, Hex Hd Machine No. 1/4-20 x .50	90-06241-09					
64	*Washer, Split Lock No. 1/4	90-07797-00					
65	*Washer, Flat No. 1/4	90-06676-00					
66	*RIBBON DRIVE ASSEMBLY	70-09690-00					5
67	*Spring, Compression	90-09578-00					
68	*Ground Strap	70-10001-05					
69	*Decal, Ground Symbol (added)	36-12680-00	00166				
70	*Nut, Kep No. 6-32	90-06560-00					
71	*Speaker, 2-1/2 in. Perm Magnet	12-10299-00					

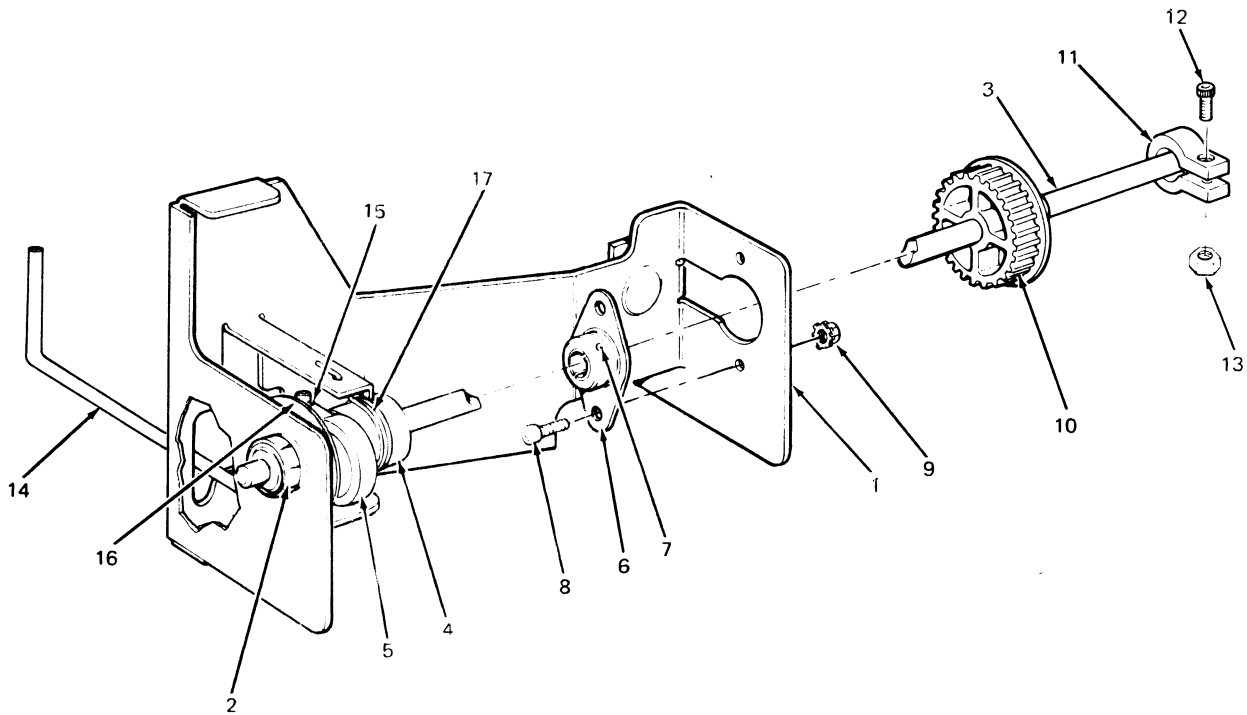


LA36-09A

Figure 4. Ribbon Chassis Assembly

FIG & ITEM NO.	DESCRIPTION	M DEC PART NO.	ECO CUT-IN 70-09689 00001	USED ON CODE	VENDOR		REF FIG NO.
					CODE	PART NO.	
4-	RIBBON CHASSIS ASSEMBLY	70-09689-00					3
1	*Chassis, Ribbon w/Inserts	70-09680-00					
2	*Base Assembly, Ratchet	70-09697-00					
3	*Spring, Upper Pawl	74-11105-00					
4	*Spring, Main Pawl	74-11090-00					
5	*Pivot, Ratchet	74-11103-00					
6	*Washer, Ratchet	74-11061-00					
7	*Screw, Phi Pan Hd No. 8-32 x .31	90-06036-01					
8	*Washer, Lock Int Tooth No. 8 (deleted)	90-06634-00	LA36 00113				
	*Washer, Split Lock No. 8	90-06690-00					
9	*Washer, Flat No. 8	90-06662-00					
10	*Guide, Shoe	74-11419-00					
11	*Screw, Phi Pan Hd No. 8-32 x .38, Self Tapping	90-09586-01					
12	*Collar, Side Plate	74-11098-02					
13	*Disk, Friction	74-11405-00	LA36 00083				
14	*Wheel, Ratchet	74-11432-00					
15	*Driver, Spool	74-11048-00					
16	*Spring, Compression (deleted)	90-09584-00	LA36 00116				
	*Spring, Compression (added)	12-12353-00					
17	*Washer, Brake (deleted)	74-11106-00	LA36 00079				
18	*Retaining Ring (deleted)	90-09580-00	LA36 00079				
19	*Interposer, L.H.	74-11058-01					
20	*Interposer, R.H.	74-11058-02					
21	*Spring, Interposer	74-11087-00					
22	*Washer, Flat No. 6 (deleted)	90-06707-00	LA36 00113				
	*Washer, Flat No. 6 (added)	90-06634-00					
23	*Sensor, Reverse	74-11060-00					
24	*"U" Clip (added)	90-09748-00	LA36 00143				
25	*Cap, Standoff Spool	74-12976-00					
26	*Screw, Phi Pan Hd No. 8-32 x 2.75 (added)	90-06050-01	LA36 00083				
27	*Washer, .687 x .375 (added)	90-07858-00	LA36 00083				
28	*Washer, .625 x .200 (added)	90-06668-00	LA36 00083				
29	*Nut, Elastic Stop No. 8-32 (added)	90-09061-00	LA36 00083				

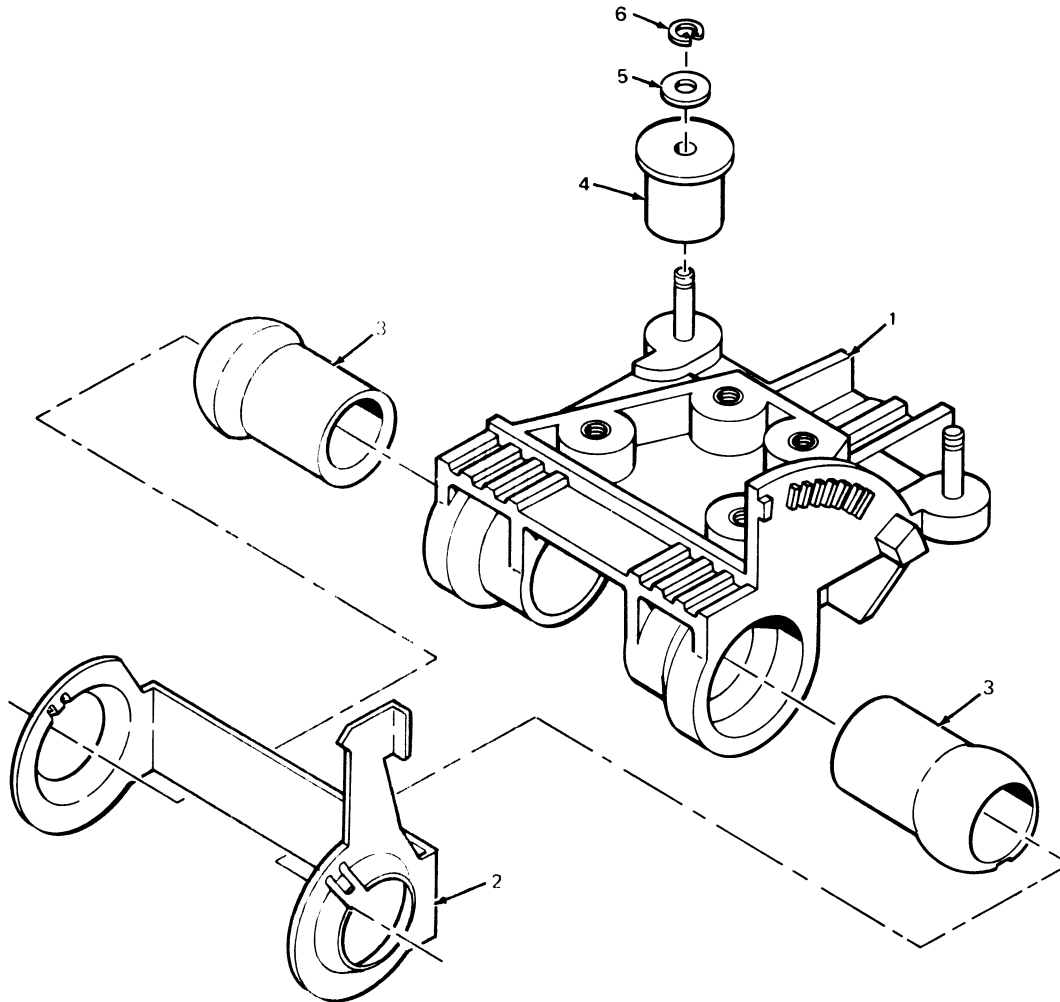
FIG & ITEM NO.	DESCRIPTION	DEC PART NO.	ECO CUT-IN LA36 00001	USED ON CODE	VENDOR		REF FIG NO.
					CODE	PART NO.	
5-	RIBBON DRIVE ASSEMBLY	70-09690-00					3
1	*Bracket, Ribbon Drive	74-11113-00					
2	*Bearing, Self Aligning	12-11649-00					
3	*Shaft, Ribbon Idler	74-11068-00					
4	*Ribbon Eccentric, w/Clutch	74-11578-00					
5	*Rod, End	74-11084-00					
6	*Bearing	12-11650-00					
7	*Screw, Soc Hd Cap No. 4-40 x .12	90-09651-08					
8	*Screw, Phi Pan Hd No. 8-32 x .31	90-06036-01					
9	*Nut, Kep No. 8-32	90-06563-00					
10	*Pulley, Timing (deleted)	74-11035-02					
	*Pulley, Timing (added)	12-12446-00	00155				
11	*Clamp, Collar	74-11124-00					
12	*Screw, Soc Hd Cap No. 6-32 x .38	90-08045-08					
13	*Nut, Hex No. 6-32	90-08957-00					
14	*Pushrod	74-11046-00					
15	*Retaining Ring	90-09580-00					
16	*Washer, Eccentric	74-11123-00					
17	*Spring, Backstop	74-11426-00					



LA36-08A

Figure 5. Ribbon Drive Assembly

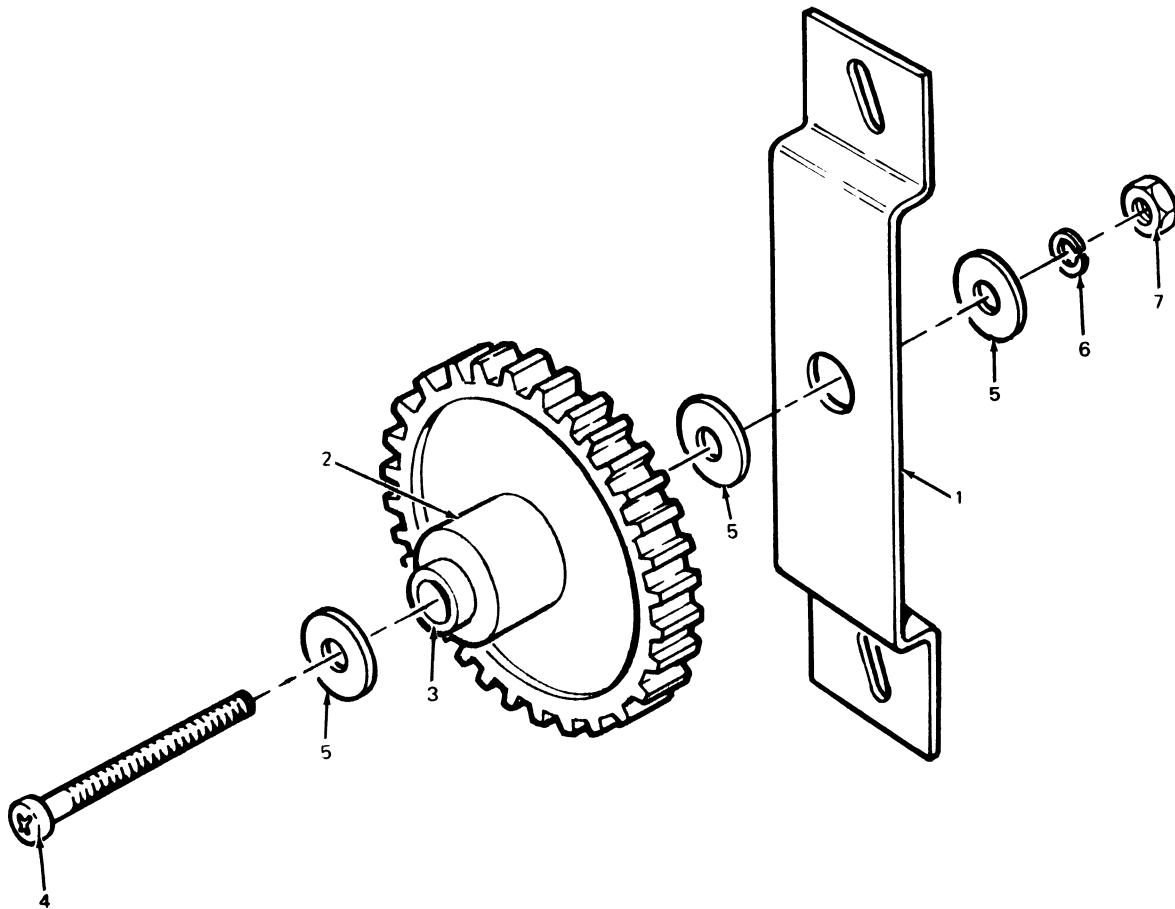
FIG & ITEM NO.	DESCRIPTION	DEC PART NO.	ECO CUT-IN 70-09692 00000	USED ON CODE	VENDOR		REF FIG NO.
					CODE	PART NO.	
6-	CARRIAGE ASSEMBLY	70-09692-00					3
1	*Carriage	74-11109-00					
2	*Lever, Carriage Adjustment	74-11110-00					
3	*Bushing, Eccentric	74-11107-00					
4	*Idler, Carriage Ribbon, w/Idler	74-11577-00	LA36 00011				
5	*Washer, Flat No. 6	90-06653-00					
6	*Retaining Ring	90-08528-00					



LA36-12

Figure 6. Carriage Assembly

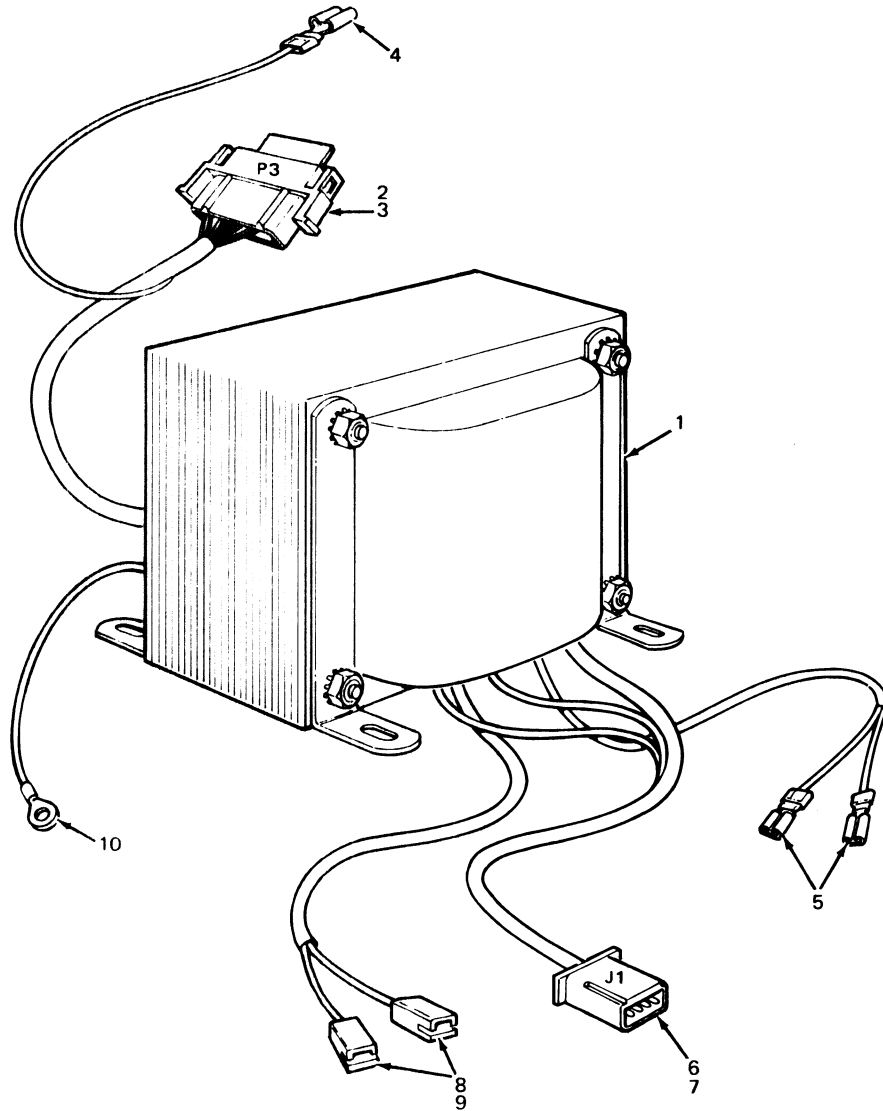
FIG & ITEM NO.	DESCRIPTION	DEC PART NO.	ECO CUT-IN 70-09694 00000	USED ON CODE	VENDOR		REF FIG NO.
					CODE	PART NO.	
7-	IDLER GEAR ASSEMBLY	70-09694-00					3
1	*Bracket, Gear	74-11420-00					
2	*Gear, 48 Tooth	12-11656-00					
3	*Tube, Idler	74-11424-00					
4	*Screw, Phi Pan Hd No. 8-32 x 1.00	90-06043-01					
5	*Washer, Flat No. 8	90-06666-00					
6	*Washer, Split Lock No. 8	90-06690-00					
7	*Nut, Hex No. 8-32	90-06561-00					



LA36-13

Figure 7. Idler Gear Assembly

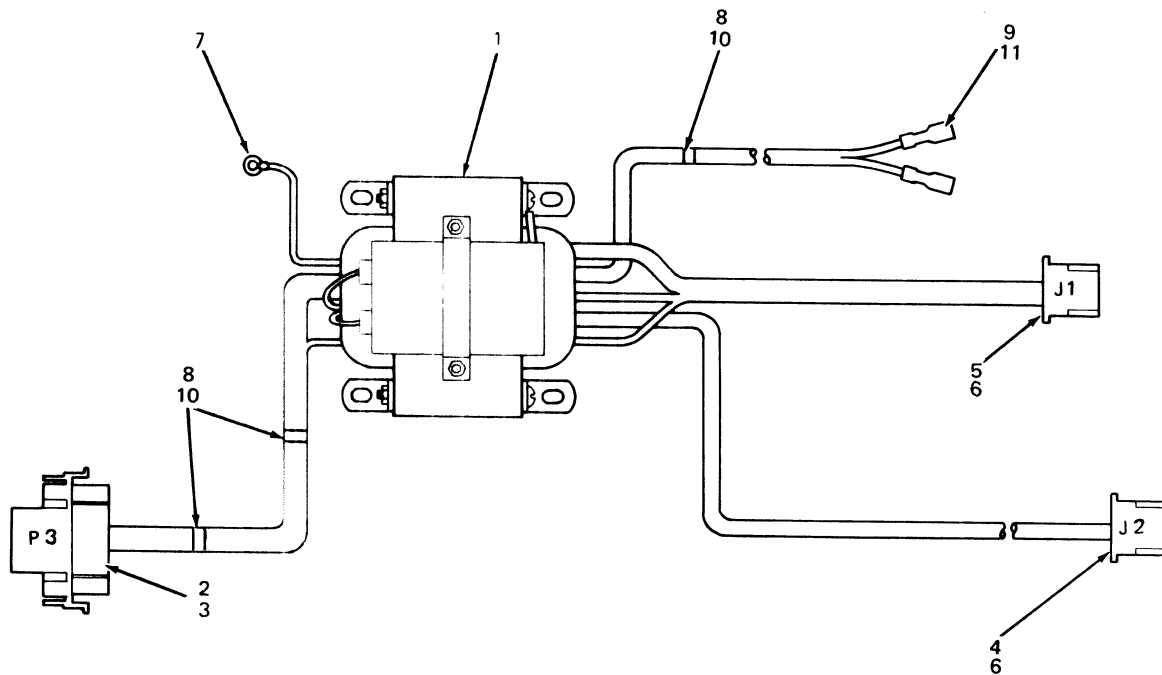
FIG & ITEM NO.	DESCRIPTION	F DEC PART NO.	ECO CUT-IN LA36 00001	USED ON CODE	VENDOR		REF FIG NO.
					CODE	PART NO.	
8-	TRANSFORMER ASSEMBLY (deleted)	70-09779-00	00138				2
1	*Power Transformer (deleted)	16-11482-00	00138				
2	*Connector (P3) Pin Housing, 8 Pin Mate-N-Lok	12-09340-01					
3	*Terminal, Pin Contact	12-09378-00					
4	*Terminal, Quick-Connect (deleted)	90-07919-00	00052				
5	*Terminal, Quick-Connect (deleted)	90-07917-00	00124				
6	*Connector (J1) Free-Hanging, 4 Socket Mate-N-Lok (deleted)	12-10821-04	00124				
7	*Terminal, Socket Contact (deleted)	12-09379-00	00124				
8	*Connector (J2, J3) Socket Housing AMP (deleted)	12-10820-01	00124				
9	*Terminal, Socket Contact (deleted)	12-10820-02	00124				
10	*Terminal, Ring Tongue	90-07928-00					



LA36-06

Figure 8. Transformer Assembly

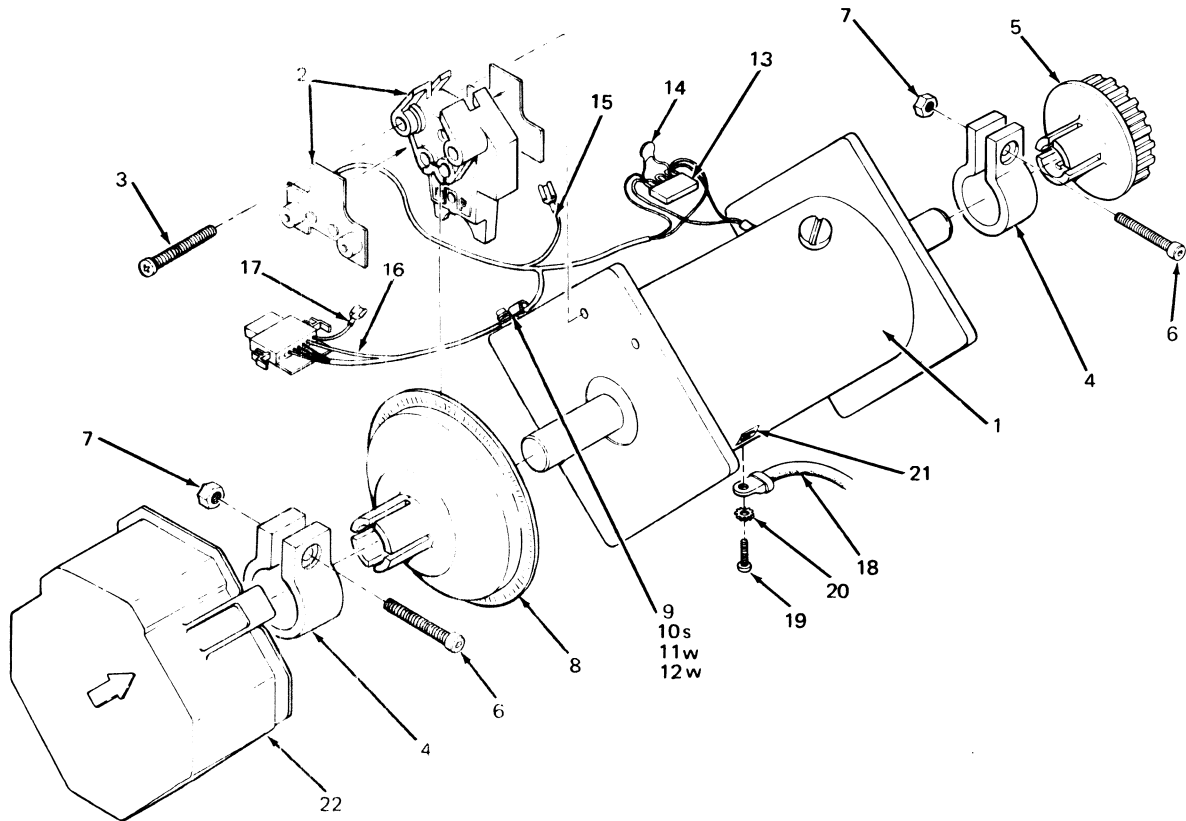
FIG & ITEM NO.	DESCRIPTION	DEC PART NO.	ECO CUT-IN LA36 00138	USED ON CODE	VENDOR		REF FIG NO.
					CODE	PART NO.	
8A-	TRANSFORMER ASSEMBLY Transformer Assembly (60 Hz) Transformer Assembly (50 Hz)	70-09779-01 70-09779-02					2
1	*Power Transformer (60 Hz) *Power Transformer (50 Hz)	16-12522-00 16-12521-00					
2	*Connector (P3), Pin Housing, 8 Pin Mate-N-Lok	12-09340-01					
3	*Terminal, Pin Contact	12-09378-00					
4	*Connector (J2) Pin Housing, 3 Pin Mate-N-Lok	12-10821-03					
5	*Connector (J1) Pin Housing, 4 Pin Mate-N-Lok	12-09351-04					
6	*Terminal, Pin Contact	12-09379-00					
7	*Terminal, Ring Tongue	90-07928-00					
8	*Cable Tie	90-07031-00					
9	*Tubing, Heat Shrinkable	91-07253-09					
10	*Tubing, Extruded	91-07244-00					
11	*Terminal, Quick Connect	90-07970-00					



LA36-06A

Figure 8A. Transformer Assembly

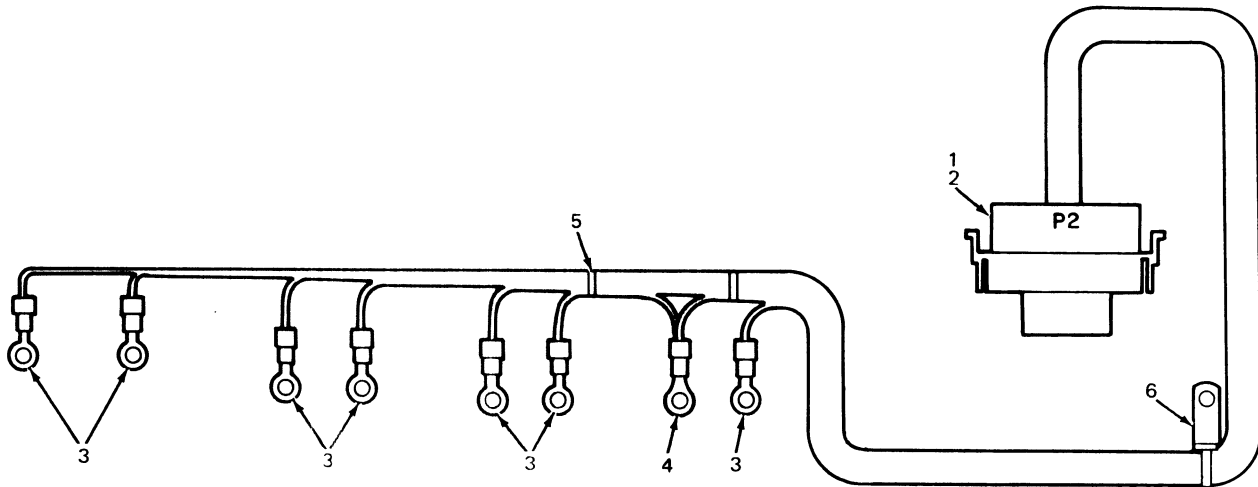
FIG & ITEM NO.	DESCRIPTION	DEC PART NO.	ECO CUT-IN LA36 00166	USED ON CODE	VENDOR		REF FIG NO.
					CODE	PART NO.	
9-	D.C. MOTOR and ENCODER ASSEMBLY	70-09691-00					3
1	*Motor, D.C.	70-09780-00					
2	*Encoder Base Harness Assembly	70-09777-00					
3	*Screw, Phi Pan Hd No. 4-40 x .75	90-06015-01					
4	*Clamp, Collar	74-11124-00					
5	*Pulley, Timing	74-11035-01					
6	*Screw, Soc Hd Cap No. 6-32 x .38	90-08045-08					
7	*Nut, Hex No. 6-32	90-08957-00					
8	*Disk Assembly	70-09778-00					
9	*Clamp, Cable	90-07079-00					
10	*Screw, Phi Pan Hd No. 8-32 x .31	90-06036-01					
11	*Washer, Split Lock No. 8	90-06090-00					
12	*Washer, Flat No. 8	90-06661-00					
13	*Terminal, Strip Tie Down	90-07004-00					
14	*Capacitor (.01 MFD)	10-01010-01					
15	*Jumper	70-10001-09					
16	*Jumper	70-10001-10					
17	*Jumper	70-10001-07					
18	*Jumper	70-10001-05					
19	*Screw, Phi Pan Hd No. 6-32 x .18	90-08020-01					
20	*Washer, Ext Tooth No. 6	90-07649-00					
21	*Decal, Ground	36-12880-00					
22	*Dust Cover, Encoder	74-11416-00					



LA36-18

Figure 9. D.C. Motor and Encoder Assembly

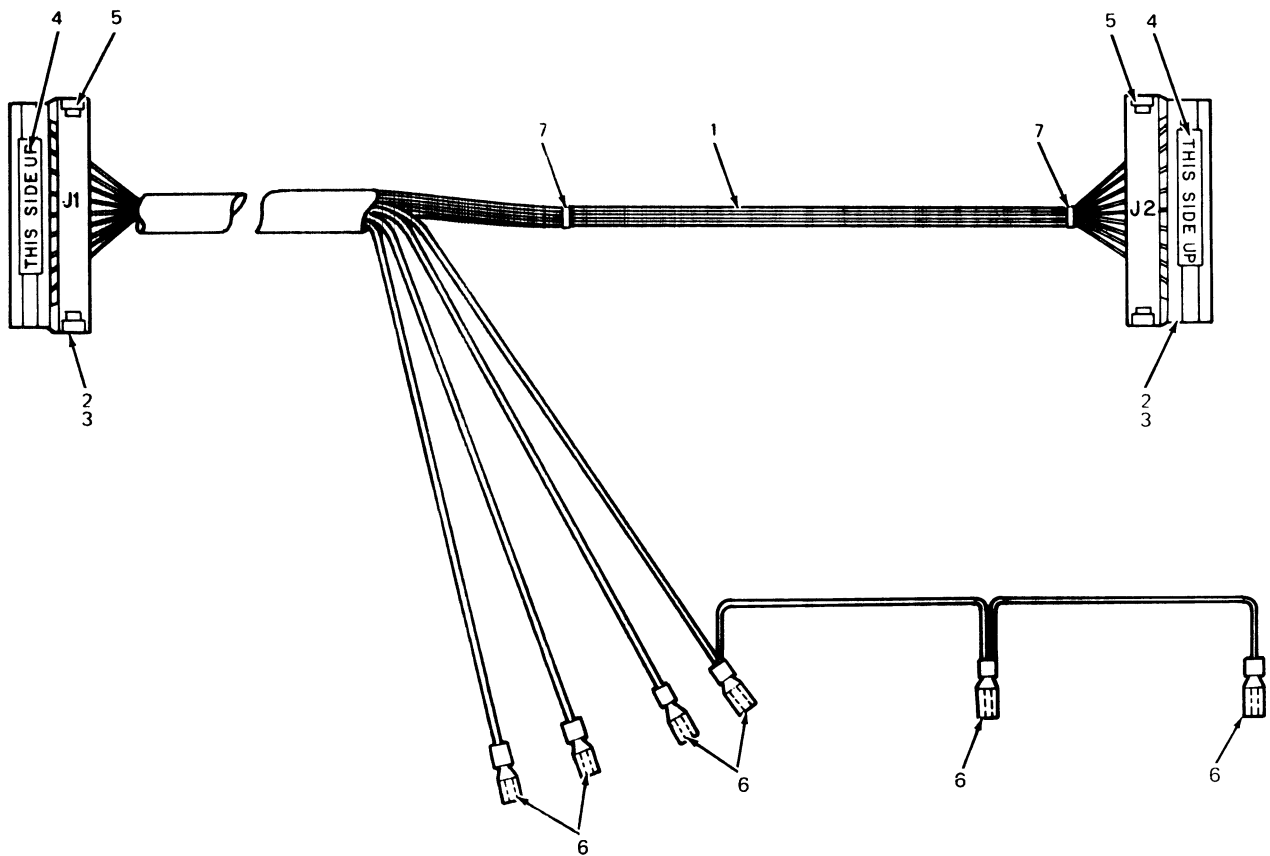
FIG & ITEM NO.	DESCRIPTION	DEC PART NO.	ECO CUT-IN 70-09895 00000	USED ON CODE	VENDOR		REF FIG NO.
					CODE	PART NO.	
10-	CAPACITOR HARNESS ASSEMBLY	70-09895-00					2
1	*Connector, P2, Pin Housing, 8 Pin Mate-N-Lok	12-09340-01					
2	*Terminal, Pin Contact	12-09378-00					
3	*Connector, Solderless	90-07928-00					
4	*Connector, Solderless	90-07926-00					
5	*Tie Wrap	90-07031-00					
6	*Tie Wrap, Screw Down (deleted)	90-07033-00	LA36 00181				



LA36-05

Figure 10. Capacitor Harness Assembly

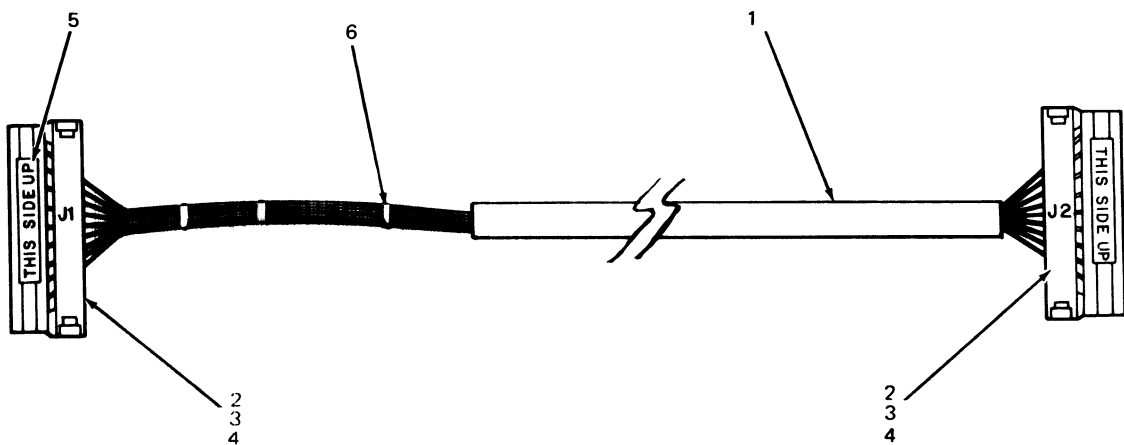
FIG & ITEM NO.	DESCRIPTION	DEC PART NO.	ECO CUT-IN 70-10000 00000	USED ON CODE	VENDOR		REF FIG NO.
					CODE	PART NO.	
11-	CABLE ASSEMBLY (LA36 Keyboard) (deleted)	70-10000-00	LA36 00136	A-H			1
1	*Cable, 24 Conductor (No. 22 AWG)	17-00011-01					
2	*Housing, Termination Berg	12-10918-15					
3	*Socket, Crimp	12-10089-07					
4	*Label, (THIS SIDE UP)	36-11567-00					
5	*Strain Relief	12-11166-00					
6	*Connector, Solderless (deleted)	90-07917-00	LA36 00136				
	*Connector, Solderless (added)	90-07970-00					
7	*Tie Wrap	90-07031-00					



LA36-16

Figure 11. Cable Assembly (LA36 Keyboard)

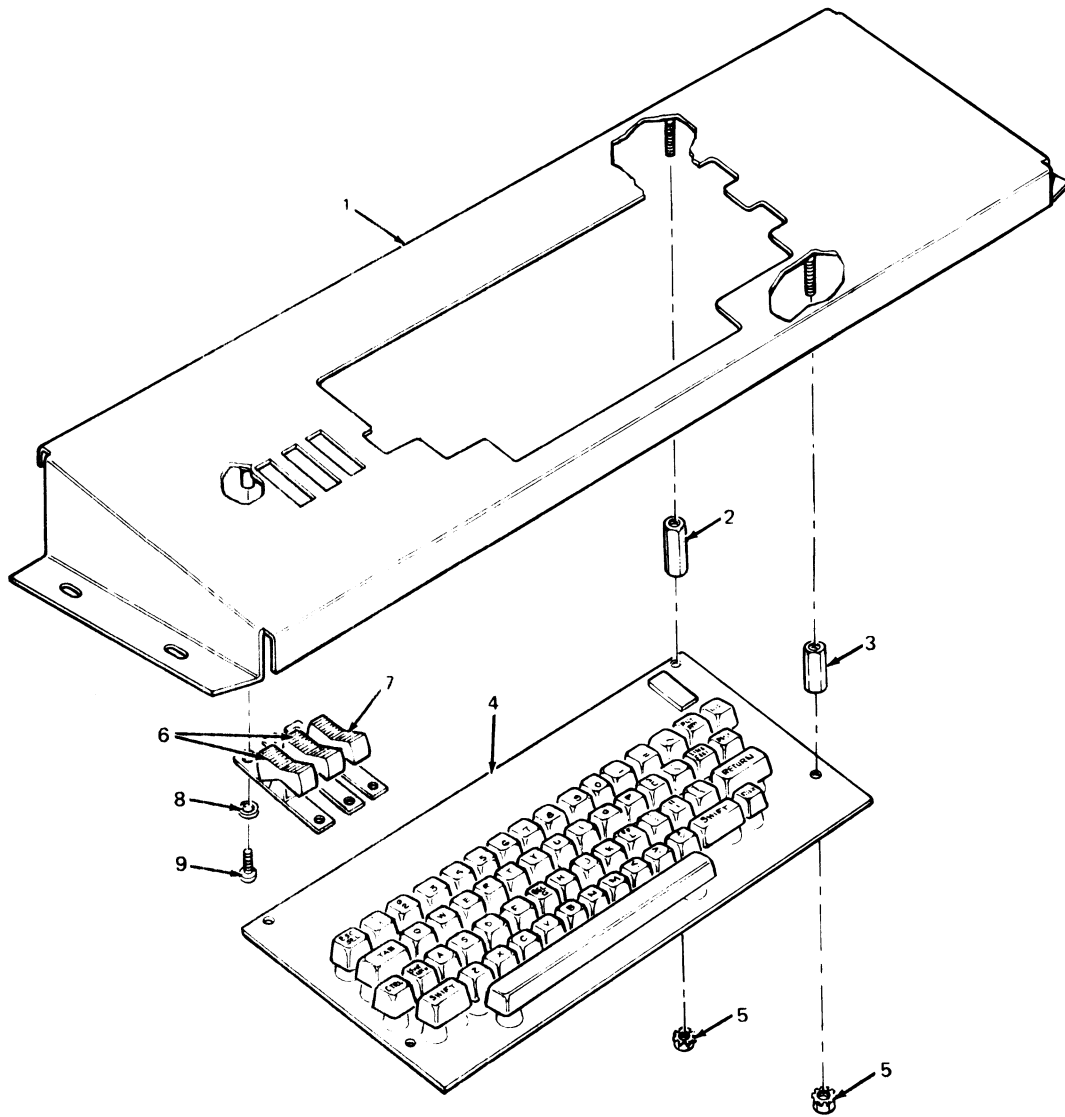
FIG & ITEM NO.	DESCRIPTION	DEC PART NO.	ECO CUT-IN LA36 00136	USED ON CODE	VENDOR		REF FIG NO.
					CODE	PART NO.	
11A-	CABLE ASSEMBLY (LA36 Keyboard)	70-11519-00		J-R			1A
1	*Cable, 24 Conductor (No. 22 AWG)	17-00011-01					
2	*Connector, Housing 44 Pin Berg	12-10918-15					
3	*Terminals, Socket Crimp	12-10089-07					
4	*Strain Relief	12-11166-00					
5	*Label (THIS SIDE UP)	36-11567-00					
6	*Tie Wraps	90-07031-00					



LA36-16A

Figure 11A. Cable Assembly (LA36 Keyboard)

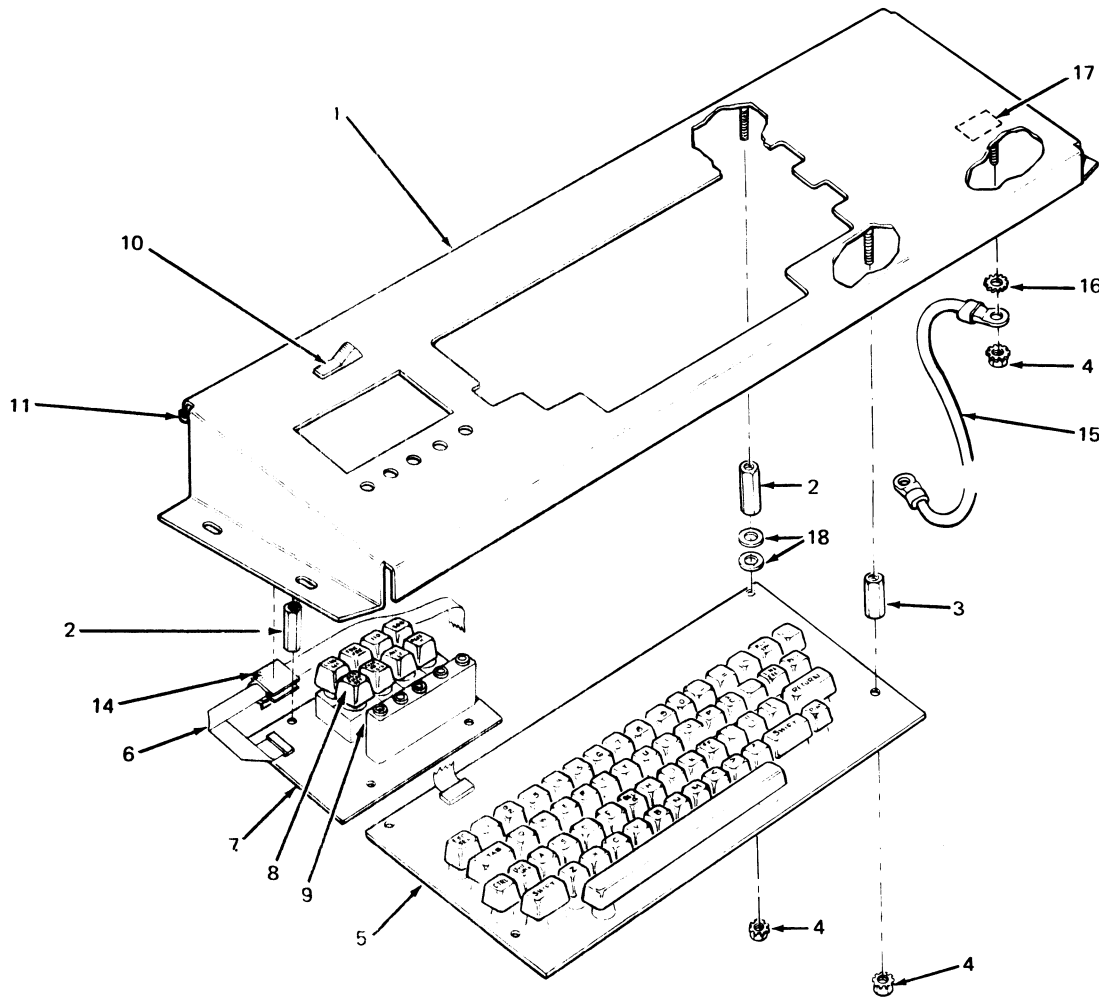
FIG & ITEM NO.	DESCRIPTION	DEC PART NO.	ECO CUT-IN 70-09750 00001	USED ON CODE	VENDOR		REF FIG NO.
					CODE	PART NO.	
12-	KEYBOARD BEZEL ASSEMBLY (deleted)	70-09750-01	LA36 -00163	EFGH			1
1	*Bracket, Bezel	74-11427-01		EFGH			
2	*Spacer, Hex No. 8 x 1.00	90-09285-00					
3	*Spacer, Hex No. 8 x .75	90-07868-00					
4	*LK02 KEYBOARD ASSEMBLY	LK02-00		EFGH (See IPB Manual EK-LK02-IP-)			
5	*Nut, Kep No. 8-32	90-06563-00					
6	*Switch, Rocker (DPST)	12-11621-00					
7	*Switch, Rocker (3 Position)	12-11732-00					
8	*Washer, Split Lock No. 6	90-07801-00					
9	*Screw, Phi Pan Hd No. 6-32 x .31	90-06021-01					



LA36-14

Figure 12. Keyboard Bezel Assembly

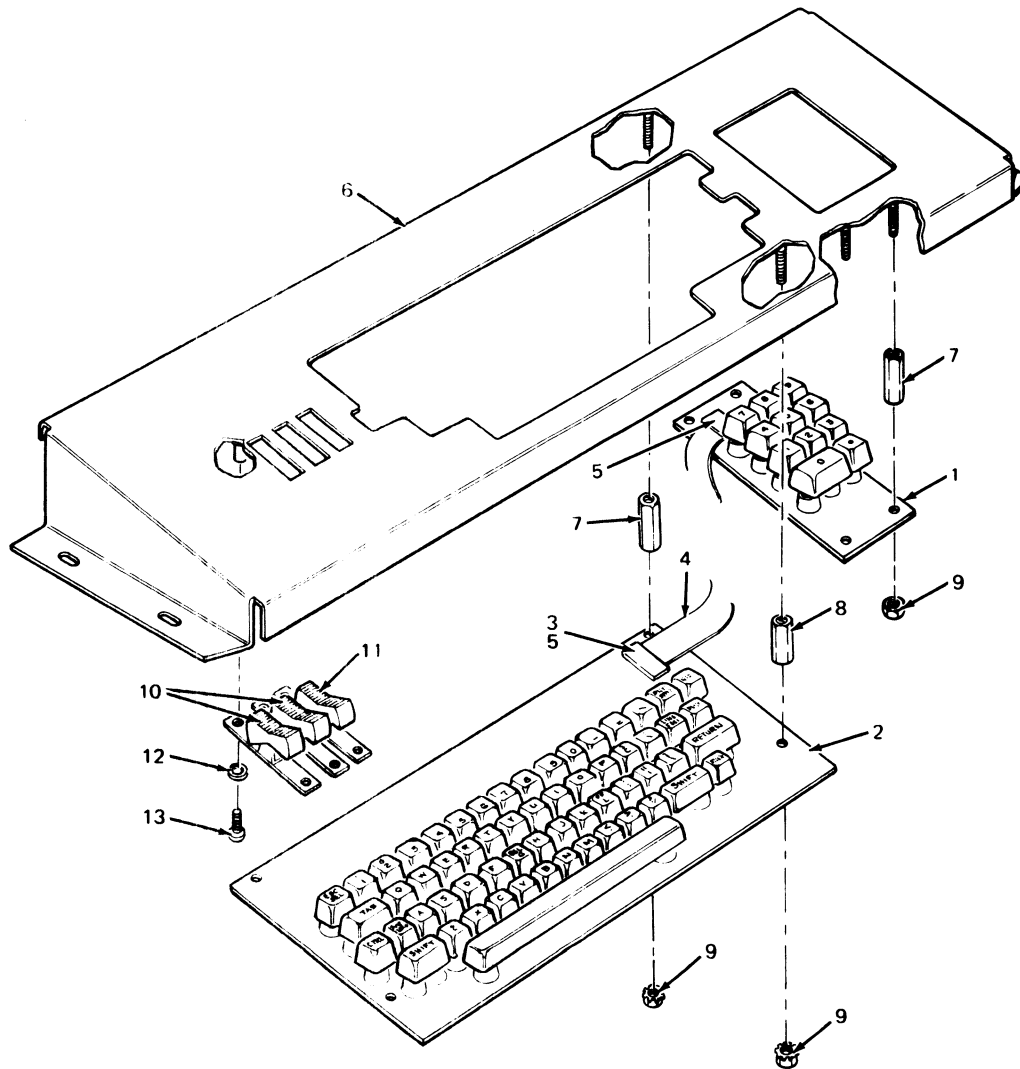
FIG & ITEM NO.	DESCRIPTION	G DEC PART NO.	ECO CUT-IN LA36 00163	USED ON CODE	VENDOR		REF FIG NO.
					CODE	PART NO.	
12A-	KEYBOARD BEZEL ASSEMBLY	70-09750-01		NPQR			1A
1	*Bracket, Bezel	74-11427-01		NPQR			
2	*Spacer, Hex No. 8 x 1.00	90-09235-00					
3	*Spacer, Hex No. 8 x .75	90-07868-00					
4	*Nut, Kep No. 8-32	90-06563-00					
5	*LK02 KEYBOARD ASSEMBLY	LK02-00		J-R	(See IPB Manual EK-LK02-IP)		
6	*Control Panel Cable	70-08612-0K		J-R			
7	*FRONT CONTROL PANEL ASSEMBLY	70-11525-00		J-R			
8	**Keycap Set	12-12287-E3					
9	**Front Control Panel Assembly	54-11727-00					
10	*Switch, Rocker (DPST)	12-11621-00					
11	*Grommet	90-09713-01					
12	*Screw, Phi Pan Hd No. 6-32 x .31	90-06021-01					
13	*Washer, Split Lock No. 6-32	90-07801-00					
14	*Harness Clip	90-08340-00					
15	*Jumper	70-10001-05					
16	*Washer, External Tooth No. 8	90-08072-00					
17	*Decal, Ground Symbol	36-12680-00					
18	*Washer, Flat Nylon No. 8	90-06708-00					



LA36-14A

Figure 12A. Keyboard Bezel Assembly

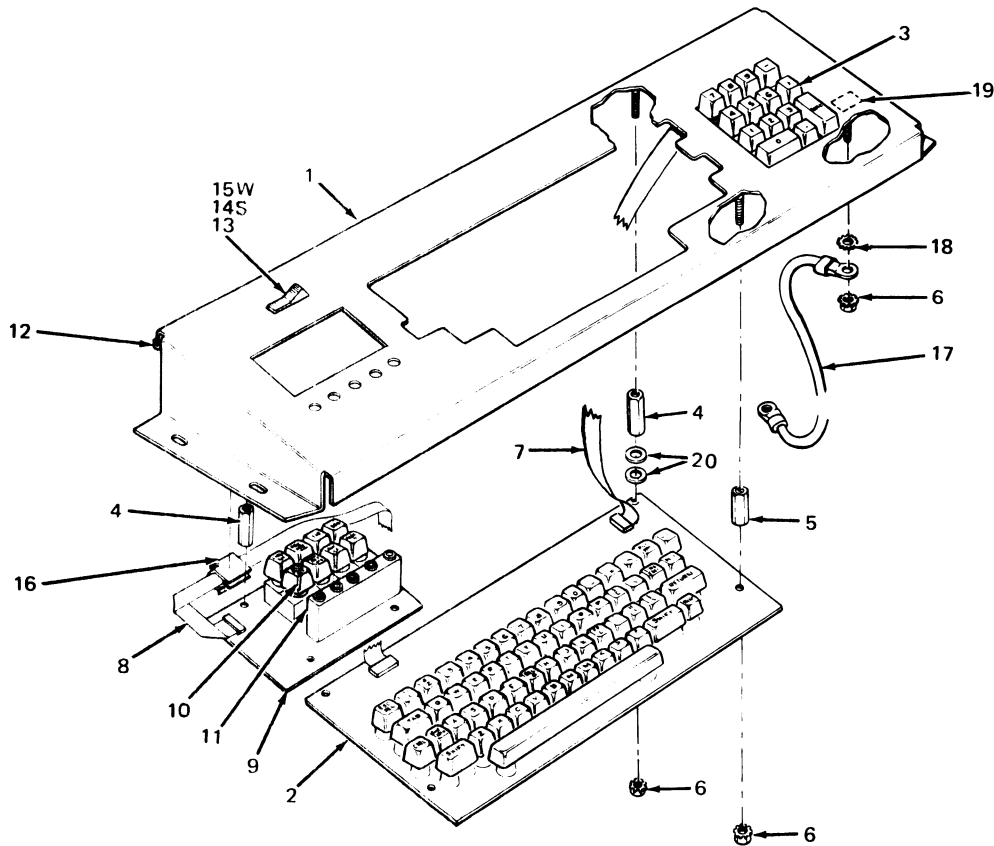
FIG & ITEM NO.	DESCRIPTION	DEC PART NO.	ECO CUT-IN 70-09750 00001	USED ON CODE	VENDOR		REF FIG NO.
					CODE	PART NO.	
13-	KEYBOARD BEZEL ASSEMBLY (deleted) (With Cursor Control)	70-09750-02	LA36 -00163	ABCD			1
1	*LK03 KEYBOARD ASSEMBLY (deleted)	LK03-00	LA36 -00136	ABCD (See IPB Manual EK-LK03-IP-)			
2	*LK02 KEYBOARD ASSEMBLY	LK02-00		A-H (See IPB Manual EK-LK02-IP-)			
3	*Cable, Keyboard	70-08612-0D					
4	**Cable, 16 Conductor	91-07738-00					
5	**Connector, Dual In Line 16 Pin	12-10722-00					
6	*Bracket, Bezel	74-11427-02		ABCD			
7	*Spacer, Hex No. 8 x 1.00	90-09825-00					
8	*Spacer, Hex No. 8 x .75	90-07868-00					
9	*Nut, Kep No. 8-32	90-06563-00					
10	*Switch, Rocker (DPST)	12-11621-00					
11	*Switch, Rocker (3 Position) (deleted)	12-11732-00	LA36 -00136				
12	*Washer, Split Lock No. 6	90-07801-00					
13	*Screw, Phi Pan Hd No. 6-32 x .31	90-06021-00					



LA36-15

Figure 13. Keyboard Bezel Assembly (W/Cursor Control)

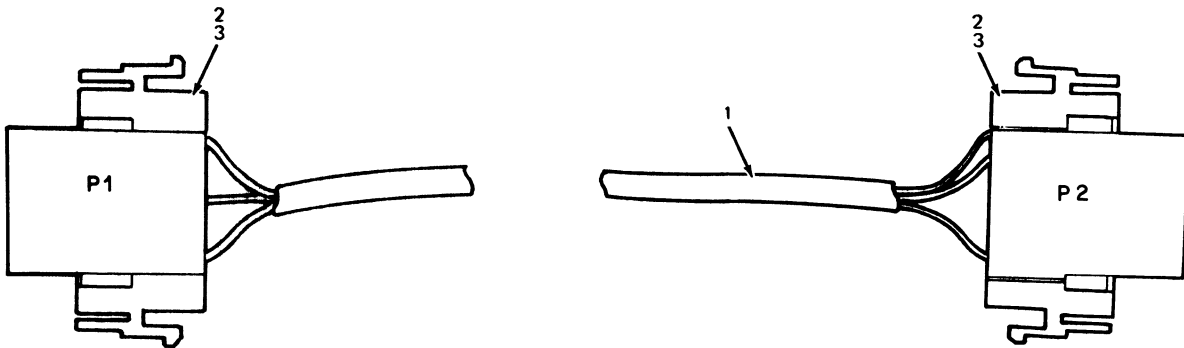
FIG & ITEM NO.	DESCRIPTION	DEC PART NO.	G ECO CUT-IN LA36 00163	USED ON CODE	VENDOR		REF FIG NO.
					CODE	PART NO.	
13A--	KEYBOARD BEZEL ASSEMBLY (With Cursor Control)	70-09750-02		JKLM			1A
1	*Bracket, Bezel	74-11427-02					
2	*LK02 KEYBOARD ASSEMBLY	LK02-00		J-R (See IPB Manual EK-LK02-IP-)			
3	*LK03A KEYBOARD ASSEMBLY	LK03A-00		JKLM (See IPB Manual EK-LK03A-IP-)			
4	*Spacer, Hex No. 8 x 1.00	90-09285-00					
5	*Spacer, Hex No. 8 x .75	90-07868-00					
6	*Nut, Kep No. 8-32	90-06563-00					
7	*Cable (Keyboard to Cursor)	70-08612-0D					
8	*Cable (Control Panel to Keyboard)	70-08612-0K					
9	*FRONT CONTROL PANEL ASSEMBLY	70-11525-00					
10	**Keycap Set	12-12287-00					
11	**Front Control Panel Assembly	70-11727-00					
12	*Grommet	90-09713-01					
13	*Switch, Rocker (DPST)	12-11621-00					
14	*Screw, Phi Pan Hd No. 6-32 x .31	90-06021-01					
15	*Washer, Split Lock No. 6	90-07801-00					
16	*Harness Clip	90-08340-00					
17	*Jumper	70-10001-05					
18	*Washer, External Tooth No. 8	90-08072-00					
19	*Decal, Ground Symbol	36-12680-00					
20	*Washer, Flat Nylon No. 8	90-06708-00					



LA36-15A

Figure 13A. Keyboard Bezel Assembly (w/Cursor Control)

FIG & ITEM NO.	DESCRIPTION	DEC PART NO.	ECO CUT-IN BC05-F 00001	USED ON CODE	VENDOR		REF FIG NO.
					CODE	PART NO.	
14-	CABLE ASSEMBLY (BC05F Interface) (deleted)	BC05F-15	LA36-00165	ABEF			1
1	*Cable, 4 Conductor (No. 22 AWG)	91-07706-00					
2	*Connector (P1, P2) Pin Housing, Mate-N-Lok	12-09340-01					
3	*Terminal, Pin Contact	12-09378-03					
							DEC



LA36-17

Figure 14. Cable Assembly (BC05F Interface)

