

pdp11

**AD11-K
analog to digital converter
user manual**

digital

**AD11-K
analog to digital converter
user manual**

1st Edition, March 1976
1st Edition (Rev), October 1977

Copyright © 1976, 1977 by Digital Equipment Corporation

The material in this manual is for informational purposes and is subject to change without notice.

Digital Equipment Corporation assumes no responsibility for any errors which may appear in this manual.

Printed in U.S.A.

This document was set on DIGITAL's DECset-8000 computerized typesetting system.

The following are trademarks of Digital Equipment Corporation, Maynard, Massachusetts:

DIGITAL	DECsystem-10	MASSBUS
DEC	DECSYSTEM-20	OMNIBUS
PDP	DIBOL	OS/8
DECUS	EDUSYSTEM	RSTS
UNIBUS	VAX	RSX
	VMS	IAS

CONTENTS

		Page
CHAPTER 1	DESCRIPTION	
1.1	GENERAL DESCRIPTION	1-1
1.2	FUNCTIONAL DESCRIPTION	1-1
1.3	A/D CONVERTER SPECIFICATIONS	1-4
1.4	PACKAGING	1-5
1.5	POWER REQUIREMENTS	1-5
1.6	UNIBUS LOADING	1-5
CHAPTER 2	USER INTERFACING	
2.1	CONNECTION	2-1
2.2	H322 DISTRIBUTION PANEL	2-1
2.3	SINGLE-ENDED AND PSEUDO-DIFFERENTIAL INPUTTING	2-1
2.4	SINGLE-ENDED ANALOG INPUTS	2-3
2.4.1	Grounded Inputs	2-3
2.4.2	Floating Inputs	2-4
2.5	TRUE DIFFERENTIAL INPUTTING	2-4
2.6	TWISTED PAIR INPUT	2-5
2.7	SHIELDED INPUT	2-5
2.8	INPUT SETTling WITH HIGH SOURCE INPEDANCE	2-5
2.9	EXTERNAL STARTS	2-5
2.10	JUMPERS	2-6
2.11	SWITCHES	2-8
2.12	OVERFLOW OR EXTERNAL START CONNECTION	2-9
CHAPTER 3	PROGRAMMING	
3.1	REGISTER AND VECTOR ADDRESSING	3-1
3.2	PRIORITY LEVEL	3-1
3.3	REGISTERS	3-1
3.3.1	Status Register	3-1
3.3.2	A/D Buffer Register	3-2
3.3.3	DAC Buffer	3-3
3.4	PROGRAMMING EXAMPLE	3-3

GLOSSARY OF A/D TERMS

ILLUSTRATIONS

Figure No.	Title	Page
1-1	AD11-K Block Diagram	1-2
1-2	Single-Ended Input	1-3
1-3	Pseudo-Differential Input	1-3
1-4	True Differential Input	1-4
2-1	H322 Distribution Panel	2-2
2-2	AD11-K Input Referenced to User's Ground	2-3
2-3	Floating AD11-K Input Signals	2-4

ILLUSTRATIONS (Cont)

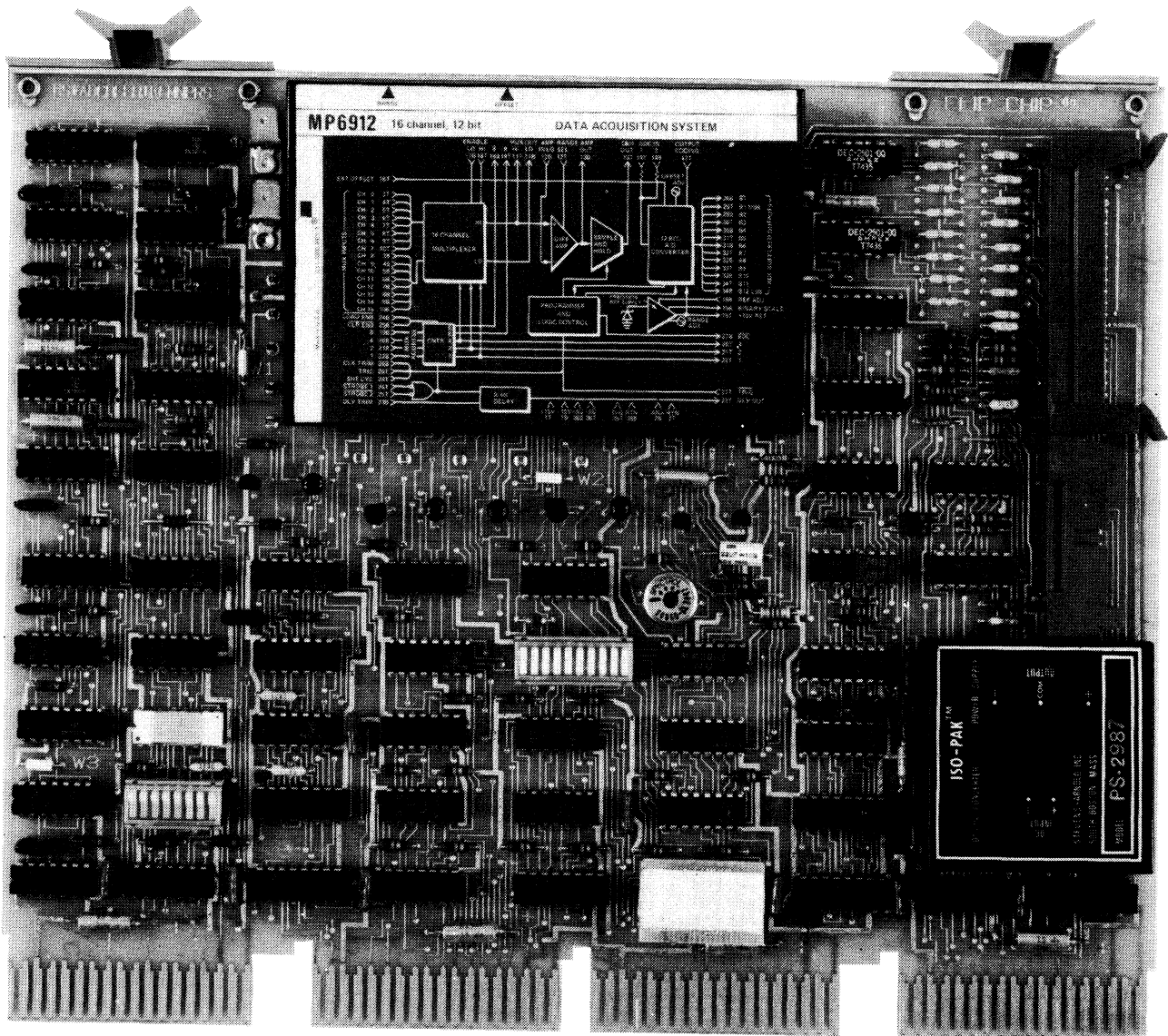
Figure No.	Title	Page
2-4	A009 Module	2-6
2-5	Module Jumpers	2-7
2-6	Tab Connections	2-9
3-1	A/D Status Register Format	3-1
3-2	A/D Buffer Register Format	3-2
3-3	DAC Buffer Register Format	3-3

TABLES

Table No.	Title	Page
2-1	Channel Selection	2-3
2-2	Channel Pair Selection	2-5
2-3	A009 Jumper Descriptions	2-8
2-4	A009 Input Range Jumpers	2-8
2-5	Address Line Selection	2-9
2-6	Vector Line Selection	2-9
3-1	AD11-K Status Register Bit Descriptions	3-2

AD11-K ANALOG TO DIGITAL CONVERTER

USER MANUAL



AD11-K Module

MA-1749

CHAPTER 1 DESCRIPTION

1.1 GENERAL DESCRIPTION

The AD11-K, Analog-to-Digital (A/D) Converter, enables the user to sample analog data at specified rates and to store the equivalent digital value for subsequent processing. The basic subsystem consists of an input multiplexer (switch-selectable between 16-channel single-ended or 8-channel differential), sample-and-hold circuitry, and a 12-bit A/D converter. By changing jumpers, the analog inputs can be made bipolar or unipolar. The inputs over all ranges are over-voltage protected. The AD11-K has built-in self test circuitry when used in conjunction with the G5036 wrap-around module. A ± 8 V ramp circuit and ± 2 V 8-bit D/A converter are used to test the A/D converter and are also available for user use. A block diagram of the AD11-K is shown in Figure 1-1.

1.2 FUNCTIONAL DESCRIPTION

The AD11-K is a 12-bit successive approximation converter where the data is right-justified in offset binary. It is controlled by the A/D Status Register.

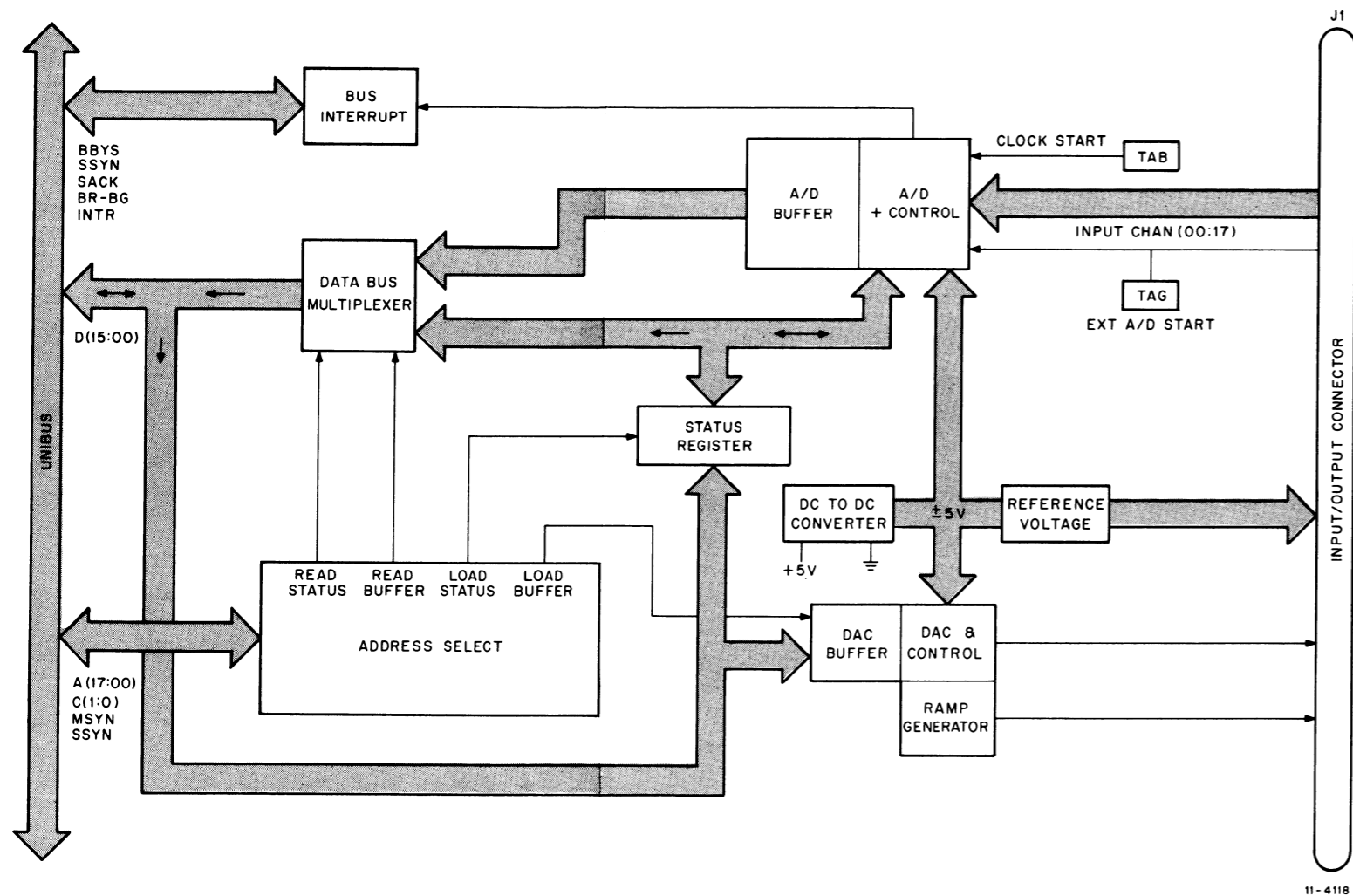
An A/D conversion may be initiated in any of three ways: Under program control, on overflow from a real-time clock, or on an external input. These methods give the system the flexibility to serve in most applications requiring data acquisition.

The user can switch-select operation in single-ended or differential mode. In single-ended mode, up to 16 single-ended (Figure 1-2) or pseudo-differential (Figure 1-3) channels of analog input can be selected. In true differential mode, up to eight differential channels of analog input can be selected (Figure 1-4). The input channel is selected by the status register. Input voltage range can be changed from the standard setup of ± 5 V to ± 5.12 V, ± 10 V, ± 10.24 V, 0 to 10 V or 0 to 10.24 V by configuring jumpers on the module.

When a conversion is complete, a flag is set and, if the A/D interrupt is enabled, the processor will interrupt (vector) to the proper subroutine for data manipulation. The user can run in the interrupt mode or wait to see the A/D done flag.

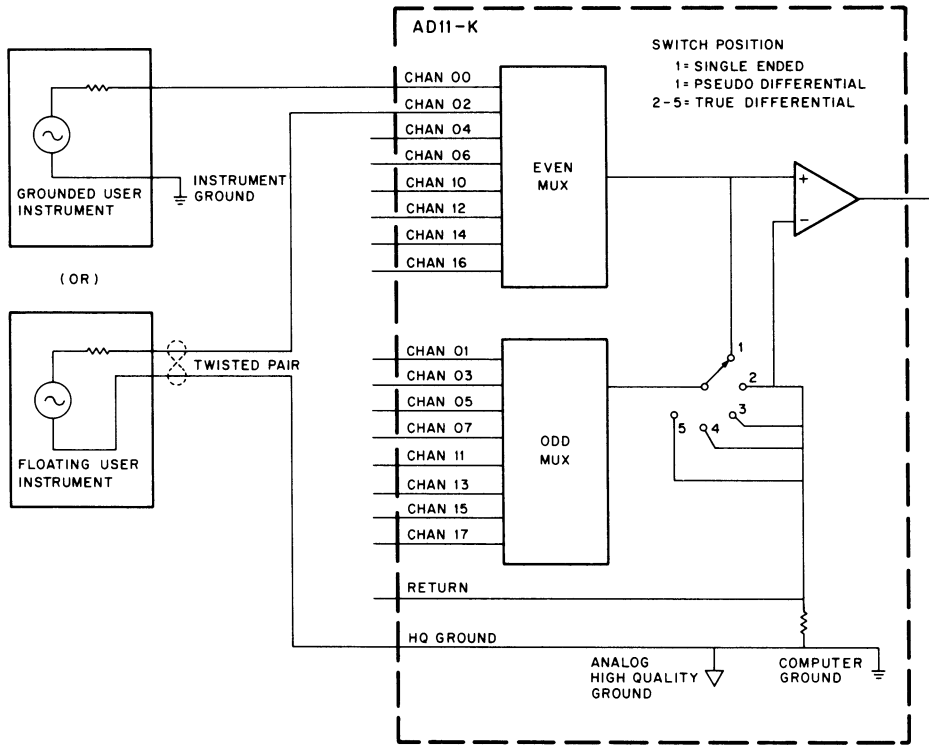
The multichannel throughput rate is 50 kHz using a PDP-11/10 computer (start conversion to memory). Since the converted value is held in a buffer register, a second conversion can be started before the results of the first conversion are read, thus achieving high throughput.

The digital-to-analog converter (DAC) has no control logic, so software must provide the proper settling delay (approximately 30 μ sec). The DAC is an 8-bit converter with an 8-bit buffer register. The D/A output range is ± 2 V. Normally, the DAC is used for maintenance to test the A/D converter via the G5036 wrap-around module; however, the output is made available for the user.



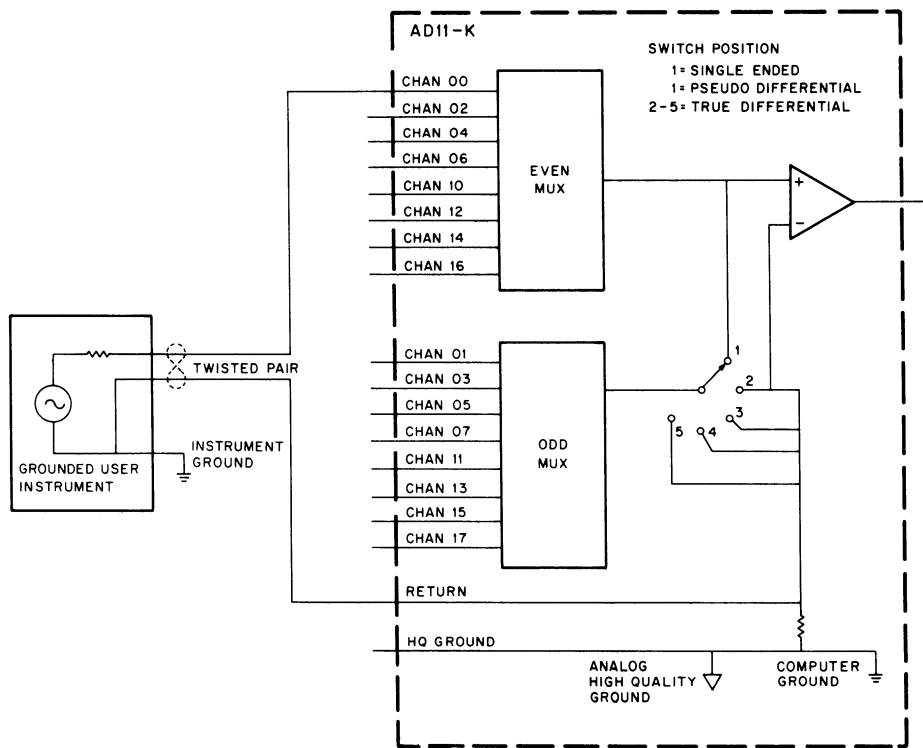
11-4118

Figure 1-1 AD11-K Block Diagram



11-4111

Figure 1-2 Single-Ended Input



11-4115

Figure 1-3 Pseudo-Differential Input

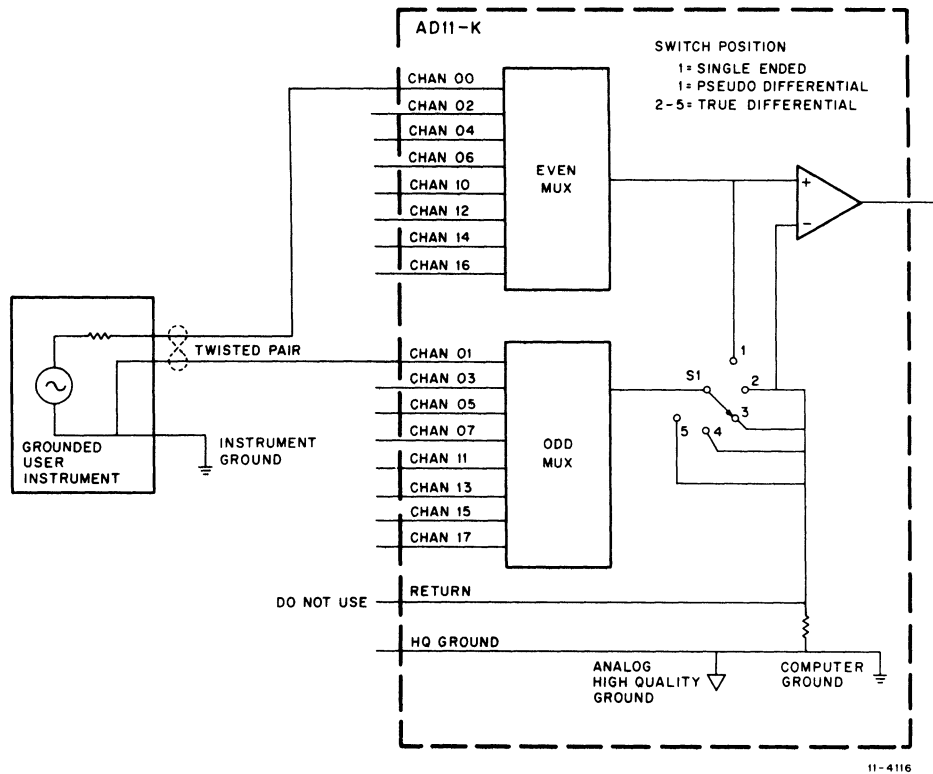


Figure 1-4 True Differential Input

1.3 A/D CONVERTER SPECIFICATIONS

General

12-bit A/D converter with sample-and-hold

Accuracy at 25° C

Number of channels

0.025% of full scale

16 (single-ended or pseudo-differential)

8-true differential

SPC - Quad module

Program - Compatible with LPS11

Pin - Compatible with AR11 at Berg connector (H854)

Uses H322 panel

Uses same wrap-around module

Expansion capabilities

64 (single-ended or pseudo-differential)

32 (true differential)

Control

Controlled by programmed instructions,

clock counter overflow, or external input

Output Format

Parallel, 12-bit, right justified, offset binary,

double buffered

Warm-up time

Five minutes

Power

+5 Vdc at 3.5 A (max)

Accuracy

Relative accuracy (linearity)

0.025% full scale

Differential linearity guaranteed

No shipped states, no states wider than 2

LSB

99% of states $\pm 1/2$ LSB

Stability

Gain temperature coefficient	12 ppm/° C, 20° C/LSB at full scale
Linearity temperature coefficient	3 ppm of F.S./° C, 81° C/LSB
Offset temperature coefficient	10 ppm of F.S./° C, 24° C/LSB
Recommended calibration interval (two adjustments)	6 months

Repeatability

Rms Noise (δ)	1/2 LSB (max)
------------------------	---------------

Inputs

Bias current	10 na (max)
Input impedance	10 megohms (min)
	10 pF (max) OFF channel
	100 pF (max) ON channel
Input Voltage Range	Standard setup: ± 5 V
	Optional Setup: ± 5.12 V, ± 10 V, ± 10.24 V, 0 to 10 V or 0 to 10.24 V
Resolution	12 bits (1 part in 4096)

Signal Dynamics

Throughput time	22 μ sec (includes interchannel settling and A/D conversion)
Inter-channel settling error	1 LSB (max)
Crosstalk	80 dB down at 1 kHz (15 OFF channels into one ON channel)
Differential CMRR	70 dB (dc to 1 kHz)
Small signal bandwidth	500 kHz typical
Slew rate limit	7 V/ μ sec
Sample-and-hold aperture	200 nsec typ, delay from external start 165nsec typ, delay from clock overflow 20 nsec max, delay uncertainty

1.4 PACKAGING

The AD11-K is a single quad-size module (A009) which mounts in a PDP-11 SPC slot. The RFI shields included with this option should be mounted on each side of the A009 module. These shields do not require a Unibus slot. To minimize computer noise within the analog circuitry, it is recommended that the AD11-K be mounted so that at least one slot adjacent to each side of the A009 module is left empty, or so that the A009 module is the last module on the bus assembly with adjacent slots left empty.

1.5 POWER REQUIREMENTS

The AD11-K module (A009) only uses +5 Vdc at 3.5 A max. A dc to dc converter package, powered by the +5 Vdc, is used to supply ± 15 Vdc to the analog portions of the module.

1.6 UNIBUS LOADING

All Unibus lines are one unit load, except data lines 03 through 08, which are two unit loads.

CHAPTER 2 USER INTERFACING

2.1 CONNECTION

Input signals are interfaced to the AD11-K by a 40-pin I/O connector (H854) located in the upper right corner of the A009 module. The 40-pin I/O connector can take a standard BC08R cable or a user-made cable terminated with an H856 40-pin I/O connector. The pin assignments are shown below:

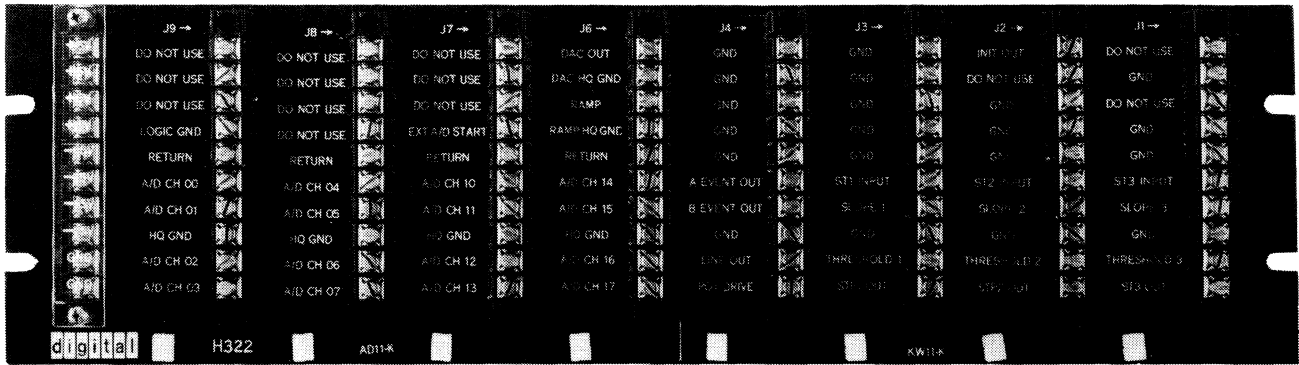
Signal	Pin
Channel 0	VV
Channel 1	TT
Channel 2	RR
Channel 3	NN
Channel 4	LL
Channel 5	JJ
Channel 6	FF
Channel 7	DD
Channel 10	BB
Channel 11	Z
Channel 12	X
Channel 13	V
Channel 14	T
Channel 15	R
Channel 16	N
Channel 17	L
External A/D Start	U
DAC Output	F
H.Q. Ground	KK, EE, AA, W
Return	Y, CC, HH, MM
Computer Ground	P, S
Ramp Output	J

2.2 H322 DISTRIBUTION PANEL

Figure 2-1 shows an H322 distribution panel. A decal set for the AD11-K identifies each terminal of the H322 to be connected to the A009 module. Persons who want to use the H322 distribution panel can order these options together under the AD11-KT option designation, which consists of an H322, AD11-K, and one BC08R cable eight feet (243.84 cm) long.

2.3 SINGLE-ENDED AND PSEUDO-DIFFERENTIAL INPUTTING

Setting switch S1 to the 1 position will allow the AD11-K to operate in either single-ended or pseudo-differential input (Figures 1-2 and 1-3). The only difference between single-ended and pseudo-differential is that in single-ended the analog input is referenced to ground (Paragraphs 2.4.1 and 2.4.2), and in pseudo-differential the analog input is referenced to a common return (Figure 1-3). This permits advantages of differential input in situations where all the signals share a single ground line. The channel selection is shown in Table 2-1.



MA-1905

Figure 2-1 H322 Distribution Panel

Table 2-1
Channel Selection

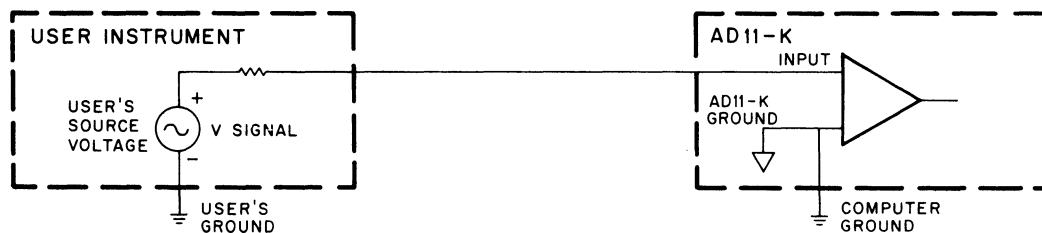
Status Register Mux Selection						Input Channel Code	Pin Connection
13	12	11	10	09	08		
0	0	0	0	0	0	00	VV
0	0	0	0	0	1	01	TT
0	0	0	0	1	0	02	RR
0	0	0	0	1	1	03	NN
0	0	0	1	0	0	04	LL
0	0	0	1	0	1	05	JJ
0	0	0	1	1	0	06	FF
0	0	0	1	1	1	07	DD
0	0	1	0	0	0	10	BB
0	0	1	0	0	1	11	Z
0	0	1	0	1	0	12	X
0	0	1	0	1	1	13	V
0	0	1	1	0	0	14	T
0	0	1	1	0	1	15	R
0	0	1	1	1	0	16	N
0	0	1	1	1	1	17	L

2.4 SINGLE-ENDED ANALOG INPUTS

2.4.1 Grounded Inputs

Two types of analog signals may be used as AD11-K inputs – grounded and floating. A grounded signal level is referenced to the ground of the instrument that is producing the signal (Figure 2-2). Since the instrument may be located some distance from the computer, there may be some voltage difference between the instrument ground and the computer ground. The voltage seen by the AD11-K single-ended input is the sum of this unwanted ground difference voltage and the desired signal voltage.

In cases where the input voltage is referenced to the user's ground, a wire should *not* be run from the user's ground to the AD11-K analog ground; this could cause undesirable ground loop currents which affect results not only on the input channel in question, but also on other channels. The ground difference should be minimized by plugging the instrument into an ac socket as close to the computer as possible.



11-4110

Figure 2-2 AD11-K Input Referenced to User's Ground

2.4.2 Floating Inputs

A floating signal voltage is measured with respect to a point that is not connected to ground. Examples of this type of analog input are shown in Figure 2-3.

The return line of a floating signal must be connected to one of the AD11-K analog input grounds (Paragraph 2.1). Although there are only four analog input grounds for the 16 analog channels, these grounds may be shared among channels. The identifying characteristic of a floating source is that connecting the signal return to the AD11-K ground does not result in a current path between the AD11-K ground and the instrument ground.

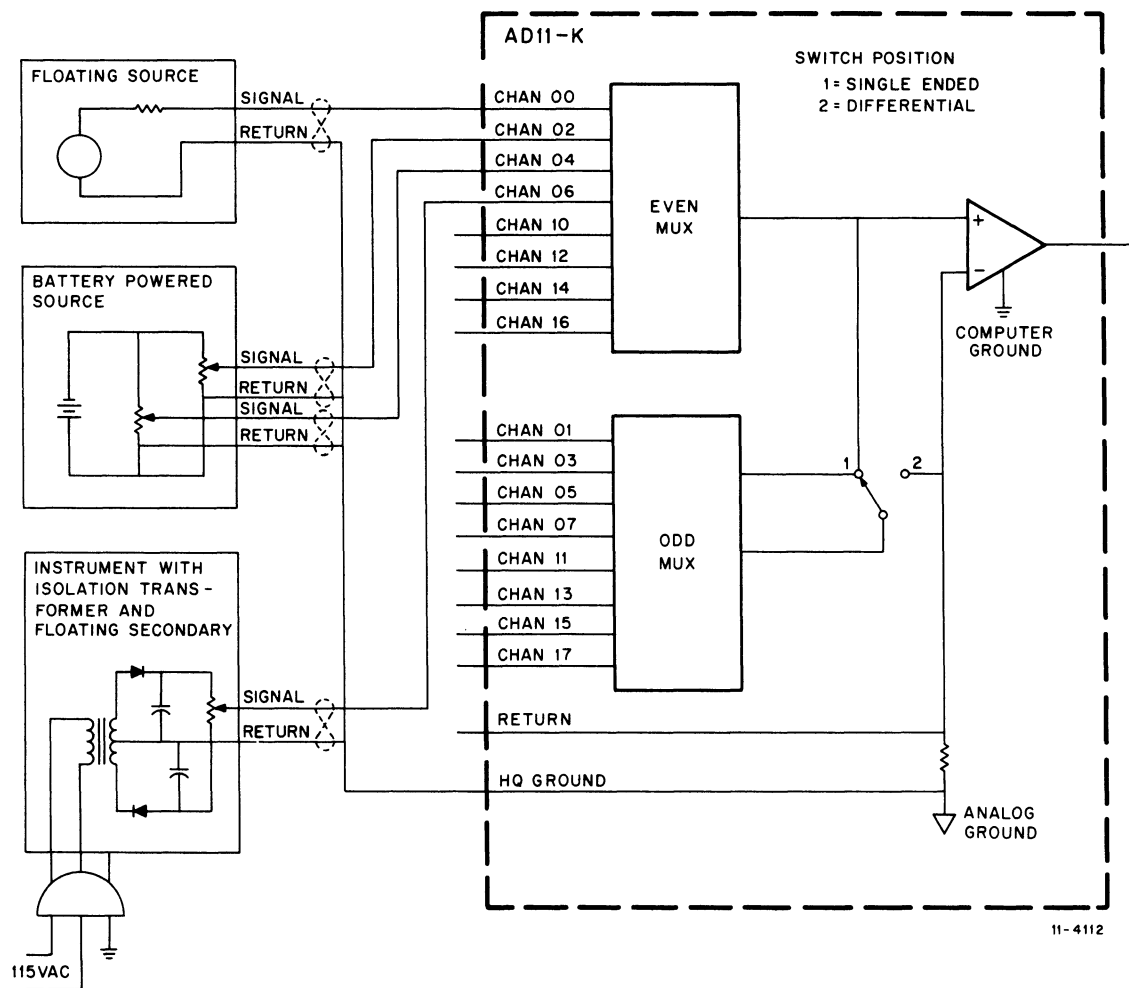


Figure 2-3 Floating AD11-K Input Signals

2.5 TRUE DIFFERENTIAL INPUTTING

Setting switch S1 to position 2, 3, 4 or 5 will electrically pair input lines for true differential input operation (Figure 1-3). The least significant bit of the channel selection (Status register bit 08) is ignored. The channel pair selection is shown in Table 2-2.

Table 2-2
Channel Pair Selection

Status Register Mux Selection						New Channel Code	Input Channel Pair		Pin Connection	
13	12	11	10	09	08		+	-	+	-
0	0	0	0	0	X	00	00	01	VV	TT
0	0	0	0	1	X	02	02	03	RR	NN
0	0	0	1	0	X	04	04	05	LL	JJ
0	0	0	1	1	X	06	06	07	FF	DD
0	0	1	0	0	X	10	08	09	BB	Z
0	0	1	0	1	X	12	10	11	X	V
0	0	1	1	0	X	14	12	13	T	R
0	0	1	1	1	X	16	14	15	N	L

2.6 TWISTED PAIR INPUT

The affects of magnetic coupling on the input signals may be reduced for floating or differential inputs by twisting the signal and return lines in the input cable. If the inductive pickup voltages of the two leads match, the net effect seen at the AD11-K input is zero. Twisted pairs have no affect with a single-ended, non-floating signal (referenced to ground at the instrument end).

2.7 SHIELDED INPUT

The affects of electrostatic coupling on the input signals may be reduced by shielding the signal wires. This is especially important if the instrument or transducer has high source impedance. The shield should be connected to ground at one end of the cable only so that it does not carry any current.

2.8 INPUT SETTling WITH HIGH SOURCE IMPEDANCE

All solid-state multiplexers have the unavoidable side affect of injecting a small amount of charge into their input lines when changing channels, causing a transient error voltage which is discharged by the input signal's source impedance.

When starting a conversion, a 10 μ sec interval is allowed for the AD11-K multiplexer and sample-and-hold to settle to the correct value of the newly-selected channel before the conversion begins. Normally, this is sufficient time for the input transient to settle out; however, more time may be needed when switching into an input channel with high source impedance. It may be necessary to either reduce the signal's source impedance or preset the multiplexer channel and provide a software delay before starting the conversion.

2.9 EXTERNAL STARTS

The external start signal line, pin U of the 40-pin I/O connector (H854) or TAB2, is a TTL-compatible input which sees two TTL unit loads (3.2 mA). Conversions start on the high to low transition of this signal.

In most cases, the source of the external start signal is a grounded (non-floating) signal generator or logic circuitry located in a grounded instrument. Like the analog input signal, the return path for the External Start signal is through the grounds, and a separate return wire should not be run. The ground difference between the signal source and the computer should be minimized to prevent spurious start pulses due to ground noise.

In the case of a floating pulse generator only, the pulse generator's logic ground should be connected to the AD11-K's logic ground pins of the I/O connector.

When the AD11-K is used with the KW11-K programmable real-time clock, the output of Schmitt trigger one of the KW11-K is available at a FAST-ON TAB (also possessed by the AD11-K). By using a DEC 7010771 type jumper (Figure 2-4), the KW11-K's Schmitt trigger one output can be jumpered to the AD11-K's External Start input within the central processor cabinet.

2.10 JUMPERS

The AD11-K is equipped with solder jumpers (Figure 2-5) which may be changed by the user. The jumper functions and identifications are listed in Table 2-3. The jumper configuration must be set up for ± 5 V or ± 5.12 V input range when testing with the wrap-around module. Input range jumper setup is as shown in Table 2-4.

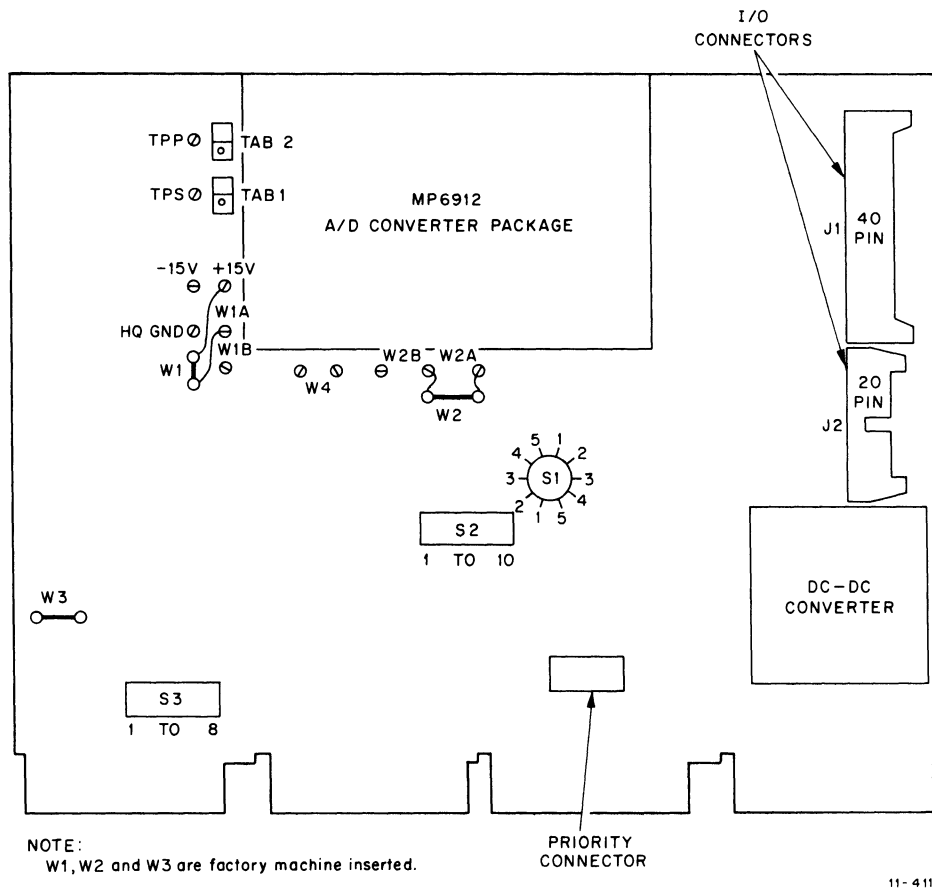


Figure 2-4 A009 Module

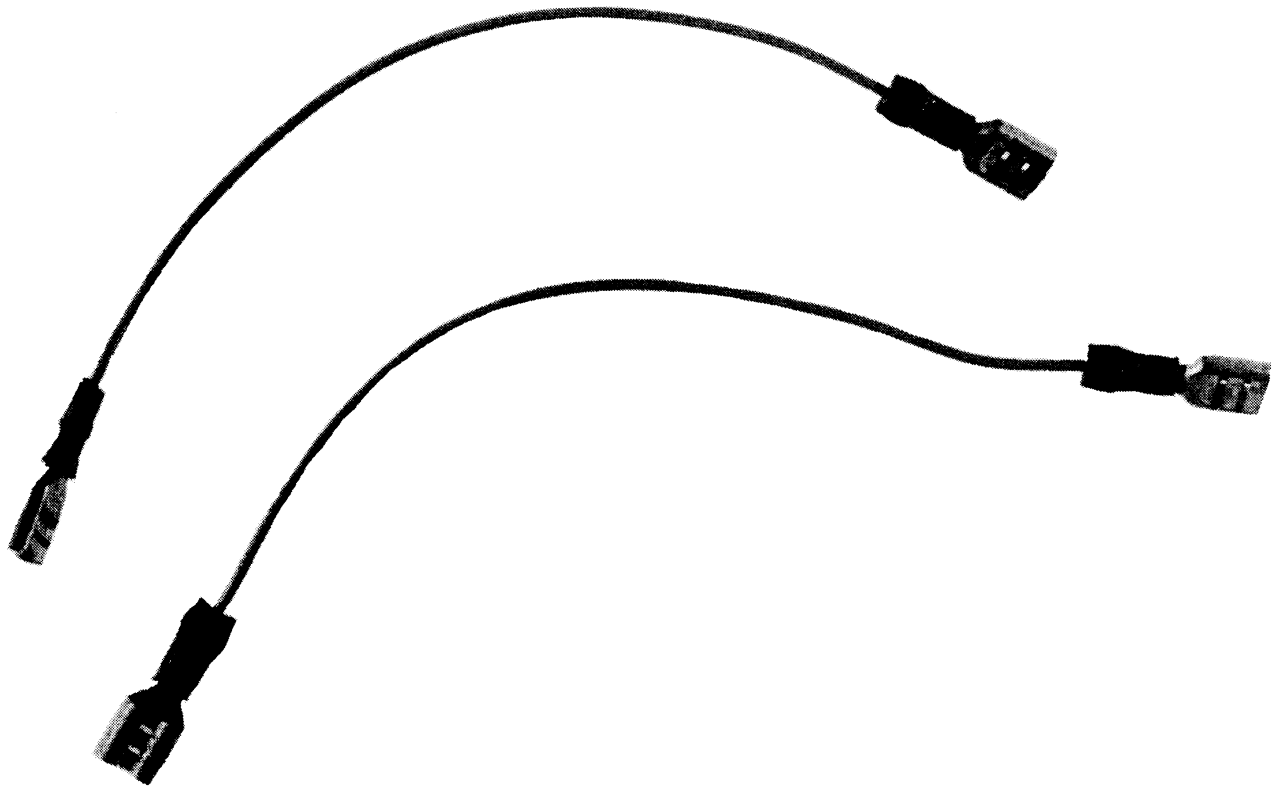


Figure 2-5 Module Jumpers

**Table 2-3
A009 Jumper Descriptions**

Jumper ID (See Figure 2-4)	Description
W1 – Factory Installed W1A – User Installed	Provides 5 V Input Provides 5 V Input
W1 B – User Installed	Provides 10 V Input
W2 – Factory Installed W2A – User Installed	Provides Bipolar Input Provides Bipolar Input
W2B – User Installed	Provides Unipolar Input
W3 – Factory Installed	NPR – Removed only if PDP-11/20 or 11/15 without a KH11 option
W4 – User Installed	±5.12 V, ±10.24 V, or 0 → +10.24 V Input

**Table 2-4
A009 Input Range Jumpers**

Jumper	Input Range				
	5 V Bipolar	10 V Bipolar	0 to +10 V Unipolar	5.12 V Bipolar	10.24 V Bipolar
W1*	In	Out	Out	In	Out
W1A	Out	Out	Out	Out	Out
W1B	Out	In	In	Out	In
W2*	In	In	Out	In	In
W2A	Out	Out	Out	Out	Out
W2B	Out	Out	In	Out	Out
W4	Out	Out	Out	In	In

*Once W1 and W2 are removed, they are not to be re-installed. These jumpers are paralleled by jumpers W1A and W2A respectively.

2.11 SWITCHES

A double pole switch (Figure 2-4) is provided for switching between single-ended and differential input configurations. When S1 is in position 2, 3, 4 or 5, the AD11-K is in true differential configuration and when S1 is in position 1, the AD11-K is in single-ended or pseudo-differential configuration. Single pole/single throw switches in switch packs are used to change the register and vector addressing (Paragraph 3.1) of the AD11-K. The switch identification for the address lines and vector lines is shown in Tables 2-5 and 2-6, respectively. Register address lines are switched on for a logical 0; vector address lines are switched on for a logical 1.

**Table 2-5
Address Line Selection**

Switch	Address Line
Not Selectable	A15
Not Selectable	A14
Not Selectable	A13
S2-10	A12
S2-9	A11
S2-8	A10
S2-7	A09
S2-6	A08
S2-5	A07
S2-4	A06
S2-3	A05
S2-2	A04
S2-1	A03
S3-8	A02
Not Selectable	A01
Not Selectable	A00

**Table 2-6
Vector Line Selection**

Switch	Vector Line
S3-1	D3
S3-2	D4
S3-3	D5
S3-4	D6
S3-5	D7
S3-6	D8

2.12 OVERFLOW OR EXTERNAL START CONNECTION

Two FAST-ON TABS are available on the A009 for inputting signals from the KW11-K programmable real-time clock option. The KW11-K (M7025) also has two FAST-ON TABS (Figure 2-6) for outputting two signals – A Overflow and Schmitt trigger one. These signals can be jumpered between the A009 and M7025 models by using DEC 7010771 type jumpers (included with the AD11-K). This allows for signal connection within the processor cabinet and does not interfere with the regular I/O connector on each module. TAB 1 of the KW11-K is A Overflow and is re-named A Event Out. This can be jumpered to TAB 1 of the AD11-K, which is called KW Overflow.

TAB 2 of the KW11-K is Schmitt Trigger one. This can be jumpered to TAB 2 of the AD11-K, which is called External Start.

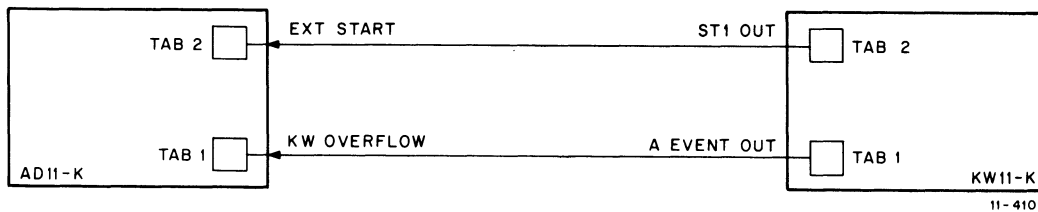


Figure 2-6 Tab Connections

CHAPTER 3 PROGRAMMING

3.1 REGISTER AND VECTOR ADDRESSING

Register and vector addresses are configured prior to shipment in standard configurations, but may be changed by means of switches on the A009 module. Paragraph 2.11 describes the procedure for changing the register and vector addresses.

The AD11-K has a floating address to allow the use of more than one AD11-K in a system, or to avoid any device address conflict with other options. The register address is selected by switches on the A009 module representing address lines A12 through A02. The standard register addresses selected for the AD11-K are:

- 170400 R/W – Status register
- 170402 Write – Loads DAC buffer register
- Read – Reads A/D buffer register

The vector address is selected by switches on the A009 module representing vector lines (Unibus “D” Lines) D08 through D03. The standard vector address selected for the AD11-K is 340₈.

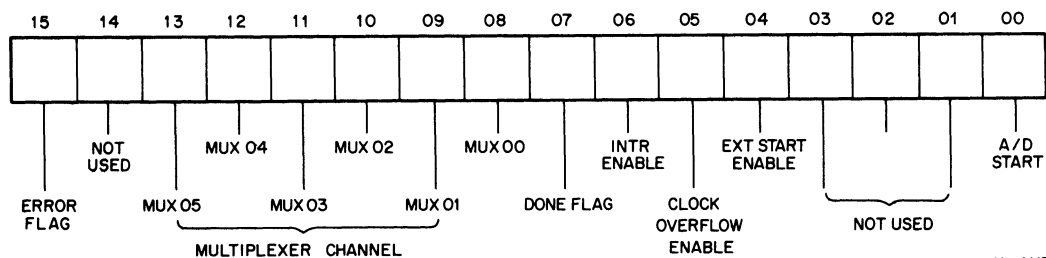
3.2 PRIORITY LEVEL

The A009 is normally shipped with a priority level configuration of BR6; this level may be changed by replacing the priority connector for another level.

3.3 REGISTERS

3.3.1 Status Register

The A/D Status register is illustrated in Figure 3-1 and described in Table 3-1.



11-4117

Figure 3-1 A/D Status Register Format

**Table 3-1
AD11-K Status Register Bit Descriptions**

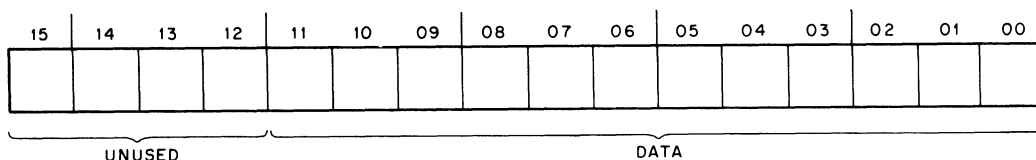
Bit	Name	Description
15	ERROR FLAG (R/W)	This bit sets when: <ol style="list-style-type: none"> 1. A second A/D conversion ends before data from the previous A/D conversion is read. 2. A second A/D start is initiated before the first conversion is complete.
13–8	Mux Channel (R/W)	Defines which A/D input channel of the multiplexer is to be sampled.
7	DONE FLAG (R)	Sets upon completion of an A/D conversion. Cleared by hardware when the A/D interrupt bus cycle is completed or when the buffer register is read.
6	INTERRUPT ENABLE (R/W)	When a conversion is completed, the done flag will cause an interrupt if this bit is set.
5	OVERFLOW ENABLE (R/W)	Permits overflow from KW11-K Real-Time Clock to cause an A/D start. This allows channel sampling at precisely timed intervals independent of software. Data may then be read by testing the A/D done flag or by enabling the interrupt.
4	EXTERNAL START ENABLE (R/W)	Permits an external event to initiate an A/D conversion.
0	A/D Start (R/W)	Starts an A/D conversion. Cleared at end of conversion.

3.3.2 A/D Buffer Register

The A/D Buffer register is a read only register. It furnishes the 12-bit converted value, formatted in 12-bit right-justified offset binary after an A/D conversion is completed (Figure 3-2).

12-BIT RESULTS (OCTAL)	INPUT VOLTAGE RANGE					
	±5V	±5.12V	±10V	±10.24V	0-10V	0-10.24V
007777	+4.9976V	+5.1175V	+9.9951V	+10.235V	+9.9976V	+10.2375V
004000	0V	0V	0V	0V	+5.0V	+5.12V
000000	-5.0V	-5.120V	-10.0V	-10.240V	0V	0V
RESOLUTION	2.44MV	2.5MV	4.88MV	5.0MV	2.44MV	2.5MV

a) A/D RANGE CHART



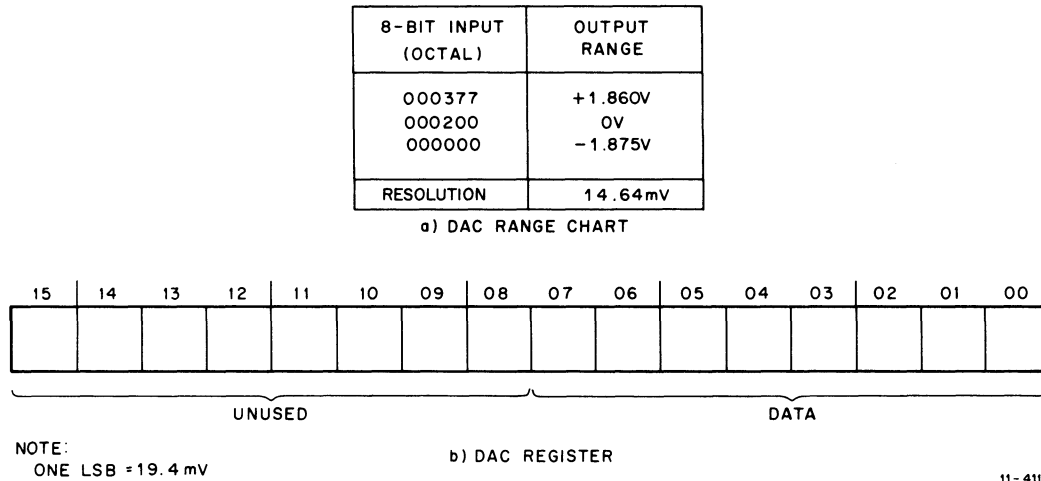
b) A/D BUFFER REGISTER

Figure 3-2 A/D Buffer Register Format

11-4114

3.3.3 DAC Buffer

The DAC Buffer is a write only register. It is a 8-bit register which holds the digital value to be converted to an analog signal (Figure 3-3).



11-413

Figure 3-3 DAC Buffer Register Format

3.4 PROGRAMMING EXAMPLE

Read 64_{10} (100_8) A/D conversions from channel 0 into locations 4000_8 - 4176_8 and halt.

```

R0=%0

START:   CLR      @ADSR      ;CLEAR A/D STATUS REGISTER
         MOV      #4000,R0   ;SET UP FIRST ADDRESS
         INC      @ADSR      ;START A/D CONVERSION ON CHANNEL 0

LOOP:    TSTB    @ADSR      ;CHECK DONE FLAG
         BPL     LOOP       ;WAIT UNTIL FLAG SET
         INC     @ADSR      ;START NEXT CONVERSION
         MOV     @ADBR,(R0)+ ;PLACE CONVERTED VALUE FROM A/D
         ;BUFFER INTO CORE LOCATION AND SET UP
         ;NEXT CORE LOCATION FOR TRANSFER
         CMP     R0,#4200   ;CHECK IF 64. CONVERSIONS HAVE BEEN
         ;DONE
         BNE    LOOP       ;NO, GET NEXT CONVERSION
         HALT   ;DONE

ADSR:    170400           ;A/D STATUS REGISTER ADDRESS
ADBR:    170402           ;A/D BUFFER REGISTER ADDRESS

.END     START

```


Your comments and suggestions will help us in our continuous effort to improve the quality and usefulness of our publications.

What is your general reaction to this manual? In your judgment is it complete, accurate, well organized, well written, etc.? Is it easy to use? _____

What features are most useful? _____

What faults do you find with the manual? _____

Does this manual satisfy the need you think it was intended to satisfy? _____

Does it satisfy *your* needs? _____ Why? _____

Would you please indicate any factual errors you have found. _____

Please describe your position. _____

Name _____ Organization _____

Street _____ Department _____

City _____ State _____ Zip or Country _____

CUT OUT ON DOTTED LINE

Fold Here

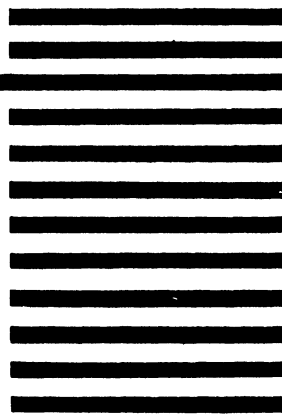
Do Not Tear - Fold Here and Staple

**FIRST CLASS
PERMIT NO. 33
MAYNARD, MASS.**

**BUSINESS REPLY MAIL
NO POSTAGE STAMP NECESSARY IF MAILED IN THE UNITED STATES**

Postage will be paid by:

**Digital Equipment Corporation
Technical Documentation Department
146 Main Street
Maynard, Massachusetts 01754**



digital

digital equipment corporation