

ILLUSTRATED PARTS BREAKDOWN

RPO4 DISK PACK DRIVE

HOW TO USE THE IPB

GENERAL

This IPB is compiled following the organization and nomenclature of the engineering drawing structure.

MAJOR ASSEMBLY LOCATOR

The Major Assembly Locator (first illustration) is an index that provides a description and a figure reference for all illustrations used in this manual.

INDENTED PARTS LIST

This manual identifies each assembly being broken down (figure reference callout), and all parts of that assembly. Further breakdown of an assembly is shown by an asterisk (*) preceding the item callouts in the Description Column. The number of asterisks preceding an item is used to denote the subordination of that item with respect to the Major Assembly. A single asterisk preceding an item description indicates that the item is part of the major assembly being illustrated. Items that are subordinate to single asterisks items, are denoted by two asterisks (**) and immediately follow the related single asterisk item. Additional asterisks are used, as required, to denote further subordination. This system of part identification, provides a means for the user to identify the next higher assembly item and make alternate selections for parts when the required replacement part or assembly is not immediately available.

COLUMN CALLOUT DESCRIPTION

Figure & Item — Indicates the figure number and item number of each part.

Description — Lists the name of the part and pertinent specifications (when required). Asterisks preceding the description denote the subordination of the part to the next higher assembly.

DEC Part No. — Lists the DEC part ordering number. A blank in this column indicates a DEC part number was not assigned at the time of publication.

ECO Cut-In — The notation at the top of this column indicates the ECO level of the system (option), at which the IPB was initially prepared. Subsequent ECO level designations, that modify existing parts or add new parts to the device, are inserted in the ECO Cut-In column next to the part that is added or modified. A bracket ([]) preceding the item description is used to indicate the parts affected by ECO's.

Vendor Code/Part No. — Indicates vendor parts that are not stocked by DEC. Refer to the Field Service Spares Catalog (vendor part number to DEC part number) for the vendor code cross-reference.

Used On Code — Letters in this column correspond to the variation codes assigned in Figure 1. Parts with an Alpha notation(s) are used only in those option variations. A blank indicates that the part is used on all option variations.

Ref Fig No. — A cross reference between illustrations. For each Major Assembly, the number in this column denotes the figure of the next higher assembly. For all subassemblies, the number in this column denotes the figure showing additional detailed breakdown.

SYMBOL USAGE

Hardware Designators — Alpha designators for screws (S), washers (W), nuts (N), and retaining rings (R) are inserted after the item number callouts on the illustration when stacked item numbers are used.

Attaching Hardware — The @ symbol is inserted before any part that is used as attaching hardware. Attaching hardware is denoted as those parts that are not an integral part of the referenced assembly.

(NFR) Not Field Repairable — The (NFR) symbol is inserted after any assembly that is not to be field dismantled.

Other Symbols — Any other symbols that are required for kits, accessories, etc., will be explained and appear as part of the item description.

REVISION HISTORY				OTHER IPB MANUALS REQUIRED TO SUPPORT THIS OPTION	
PRINTING	ECO LEVEL	DATE	PAGES AFFECTED		
2nd Printing	RPO4	00008-00039	10-12-79	N/A	EK-09728-IP
	70-09729	00000-00004			
	70-09628	00000-00000			
	54-10817	00001-00002			
	70-09731	00001-00003			
	70-09732	00000-00000			
	70-12061	00004-00004			
	70-09660	00000-00002			
	70-12062	00001-00001			
	H764	00000-00007			
	70-09614	00001-00003			
	70-06464	00002-00005			
	70-09491	00001-00003			
	This 2nd Printing EK-ORP04-IP-002 SUPERSEDES 1st Printing DEC-RP04-IPB-1				

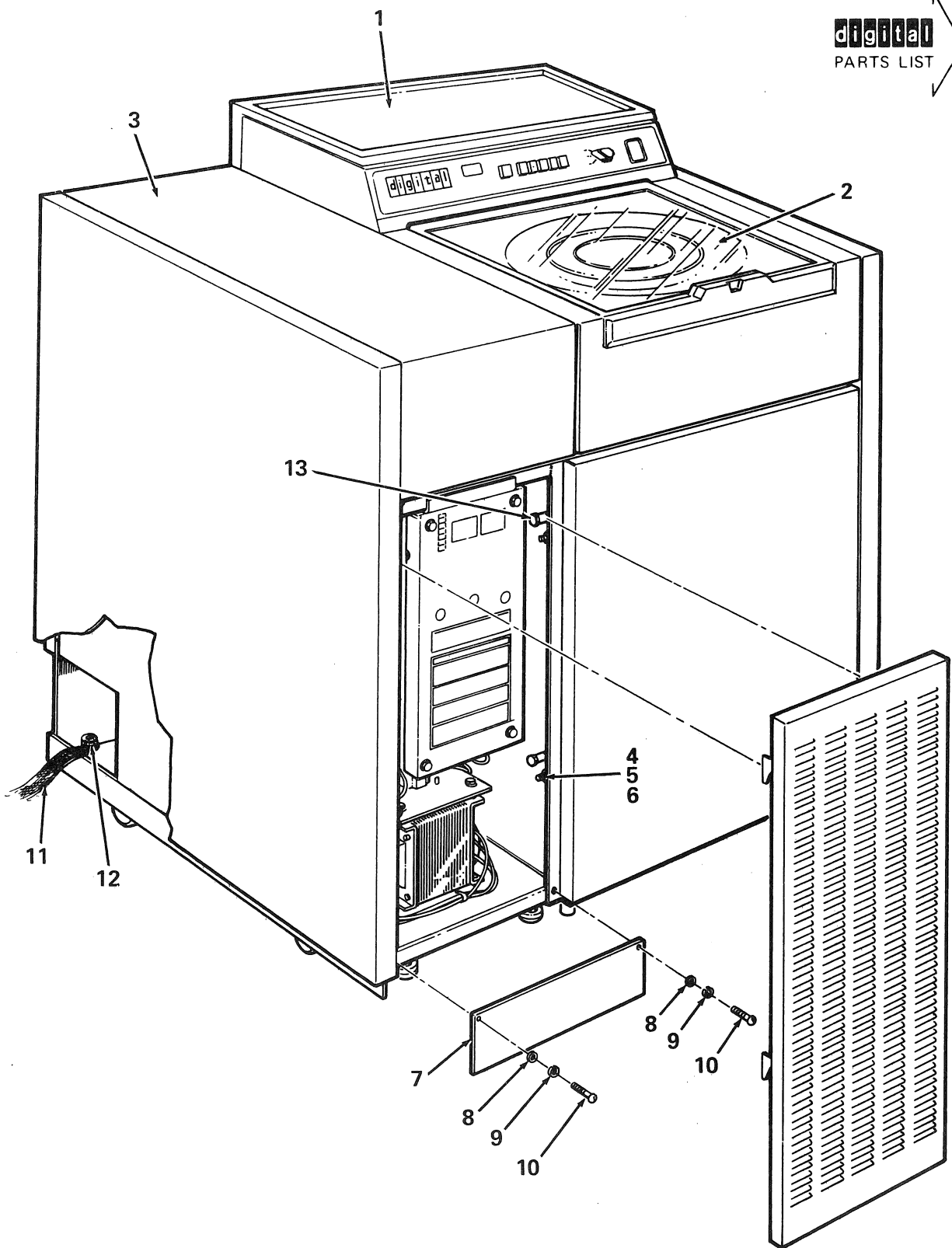
Copyright ©1974, 1979 by Digital Equipment Corporation

DEC reserves the right, without notice, to make substitutions and modifications in the specifications of products documented in this manual and further reserves the right to withdraw any of these products from the market without notice.

DEC is not responsible for errors which may appear in the technical description (including illustrations and photographs) of the products covered by this manual.

None of the descriptions contained in this manual imply the granting of any license whatsoever to make, use or sell equipment constructed in accordance therewith.

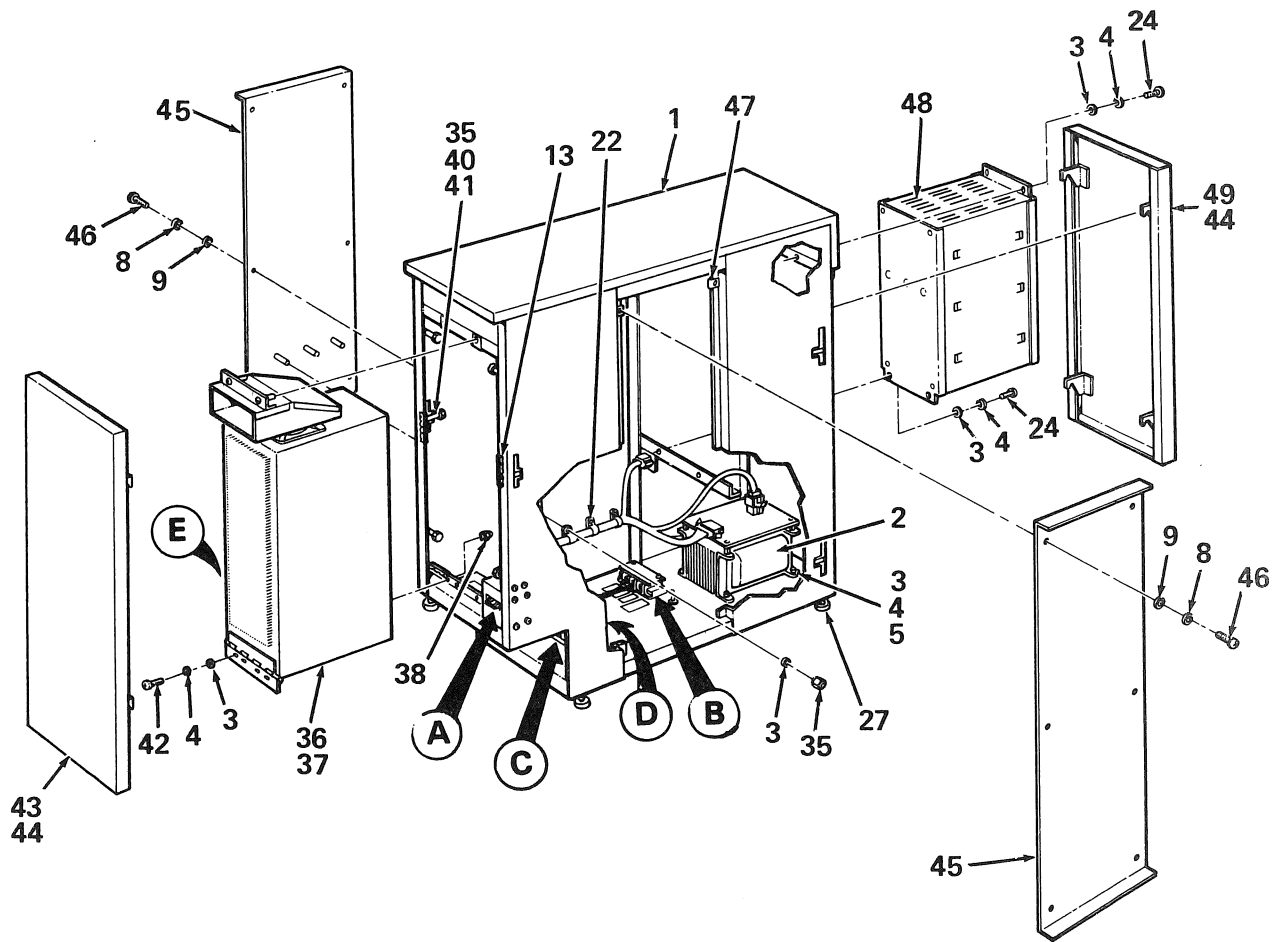




RP04-01

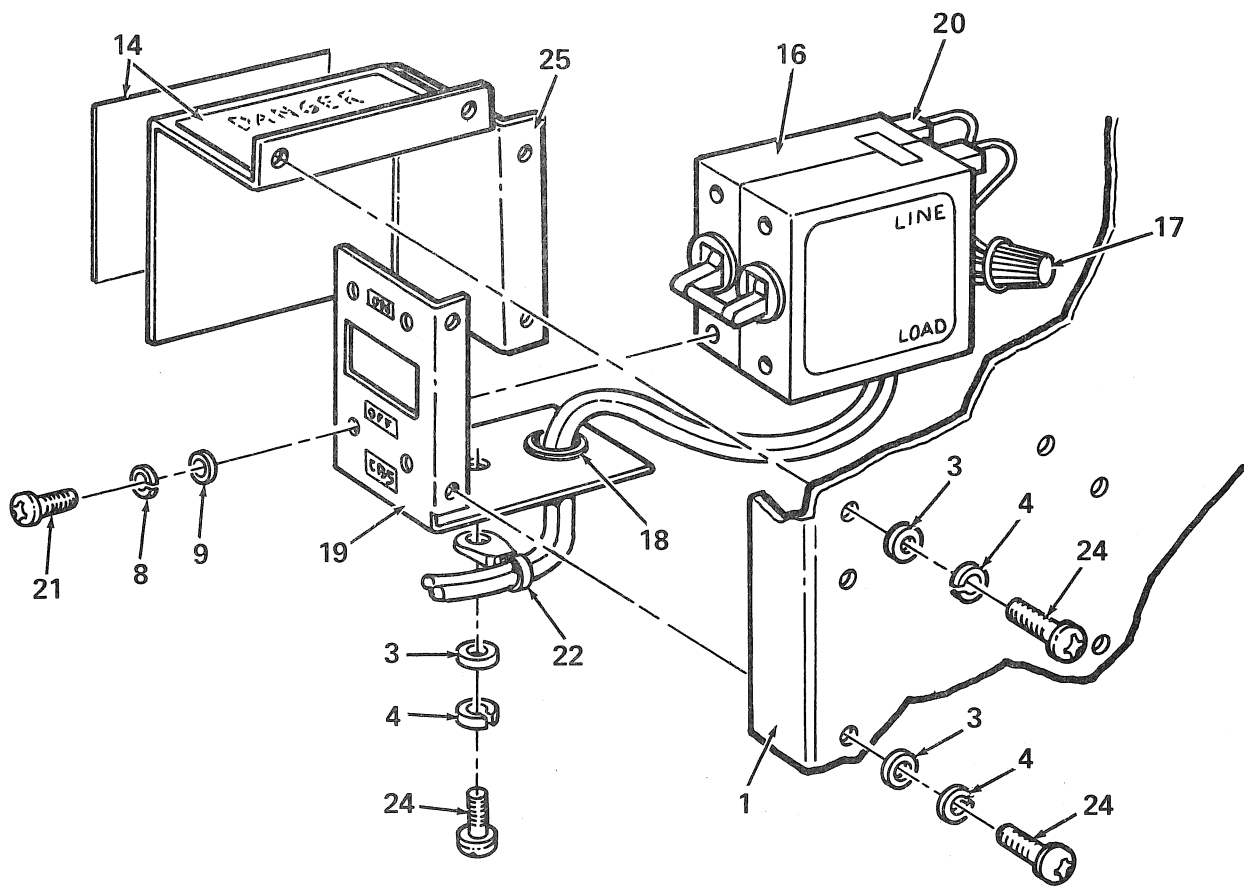
Figure 1. RP04 Disk Pack Assembly

FIG. & ITEM NO.	DESCRIPTION	DEC PART NO.	ECO CUT-IN RP04 00008	USED ON CODE	REF FIG NO.
1-	RP04 DISK PACK DRIVE ASSEMBLY				
	Code A - Used on Model RP04-AA 60 Hz Single Port	RP04-AA		A	
	Code B - Used on Model RP04-AB 50 Hz Single Port	RP04-AB		B	
	Code C - Used on Model RP04-BA 60 Hz Dual Port	RP04-BA		C	
	Code D - Used on Model RP04-BB 50 Hz Dual Port	RP04-BB		D	
1	*ISS DISK DRIVE ASSEMBLY 60 Hz	30-11447-01		A,C	
	*ISS DISK DRIVE ASSEMBLY 50 Hz	30-11447-02		B,D	
2	*DATA DISK PACK ASSEMBLY	30-11684-00			
3	*ENCLOSURE ASSEMBLY (DCL)	70-09729-01		A,B	2
	*ENCLOSURE ASSEMBLY (DCL)	70-09729-02		C,D	2
4	*Bolt, Hex Hd No. 5/16-8 x 2	90-06280-09			
5	*Washer, Flat (deleted)	90-06679-00			
	*Washer, Internal Tooth Lock No. 5/16 (added)	90-06638-00	00026		
6	*Nut, Kep No. 5/16	90-06568-00			
7	*Skirt, Front and Rear	74-11193-00			
8	*Washer, Flat No. 8	90-06661-00			
9	*Washer, Split Lock No. 8	90-06690-00			
10	*Screw, Phl. Thd Form No. 8-32 x 3/8	90-06418-01			
11	*Ground Strap (added)	74-12827-03	00010		
12	*Nut, Kep No. 1/4-20 (added)	90-08203-00	00010		
13	*Bolt, Drive (added)	90-06255-09	00038		
	CABLE ASSEMBLIES (Not Shown)				
	†POWER CABLE ASSEMBLY (deleted) 50 Hz	70-06464-01		B,D	10
	†POWER CABLE ASSEMBLY (added) 50 Hz	70-06464-03	00014	B,D	10
	†POWER CABLE ASSEMBLY (deleted) 60 Hz	70-06464-02		A,C	10
	†POWER CABLE ASSEMBLY (added) 60 Hz	70-06464-04	00014	A,C	10
	†MASS BUS CABLE ASSEMBLY	BC06S-02			
	†JUMPER CABLE ASSEMBLY	70-10122-00			
	†POWER SEQUENCE CABLE ASSEMBLY	70-09491-01			11
	LABELS AND DECALS (Not Shown)				
	†LABEL, Serial	90-08141-00			
	†LABEL, Daisy Chain Power (added)	74-13362-00	00014		
	†DECAL, RP04-AA	74-11884-00		A	
	†DECAL, RP04-AB (deleted)	74-11885-00		B	
	†DECAL, RP04-AB (added)	74-12570-00	00010	B	
	†DECAL, RP04-BA	74-11886-00		C	
	†DECAL, RP04-BB (deleted)	74-11887-00		D	
	†DECAL, RP04-BB (added)	74-12571-00	00010	D	



RP04-02

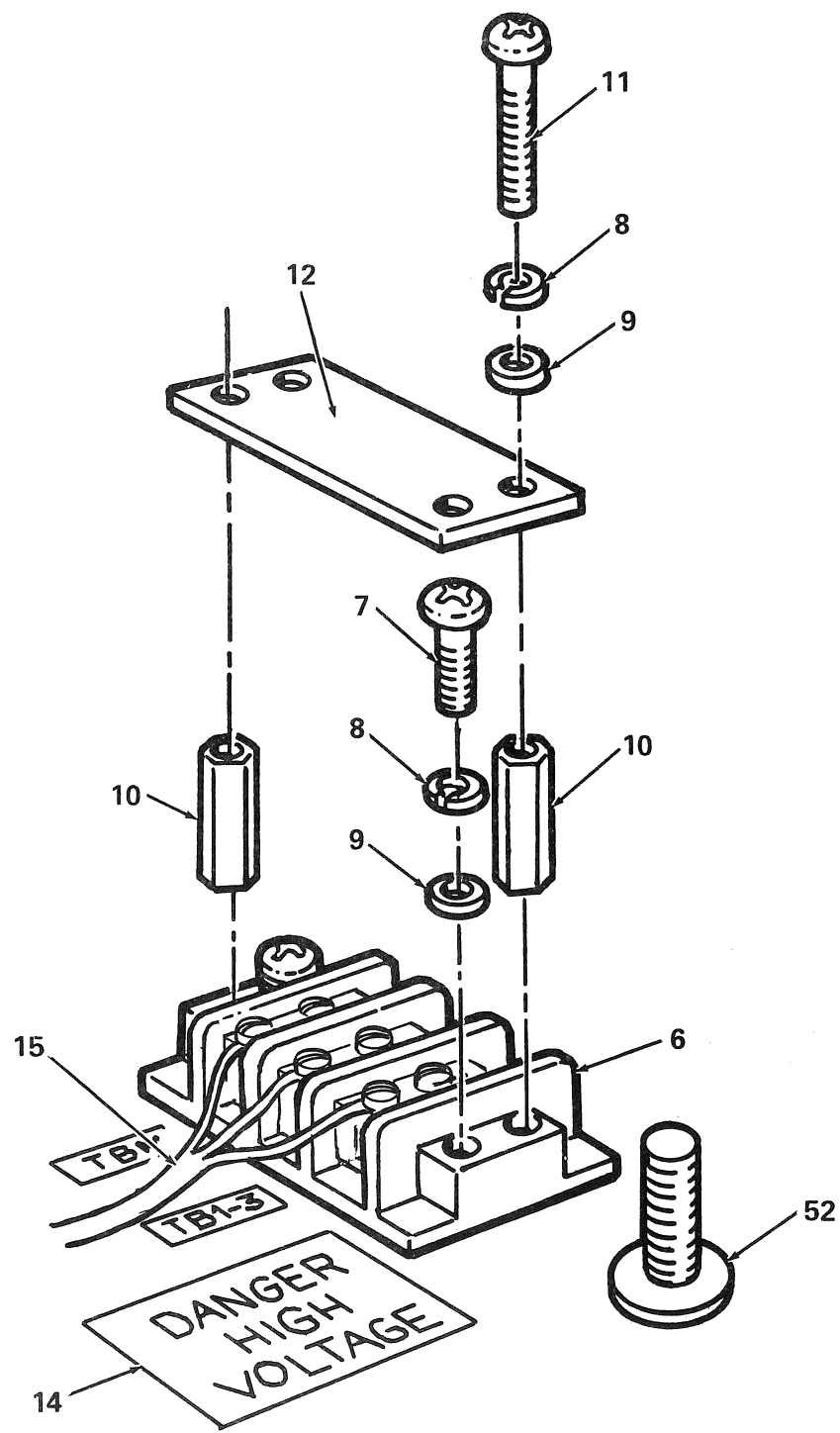
Figure 2. Enclosure Assembly (Sheet 1 of 6)



A

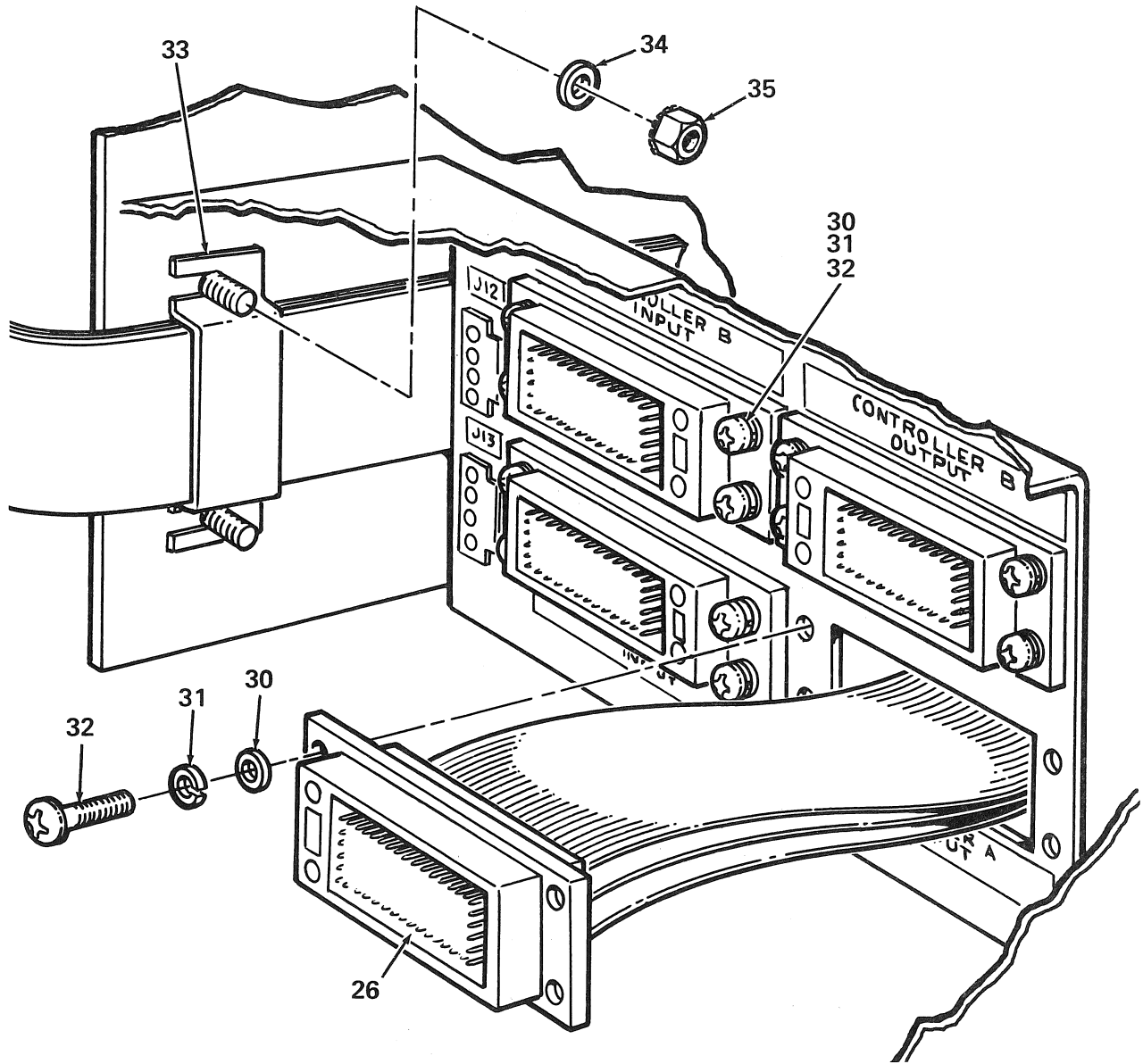
RP04-02A

Figure 2. Enclosure Assembly (Sheet 2 of 6)



B

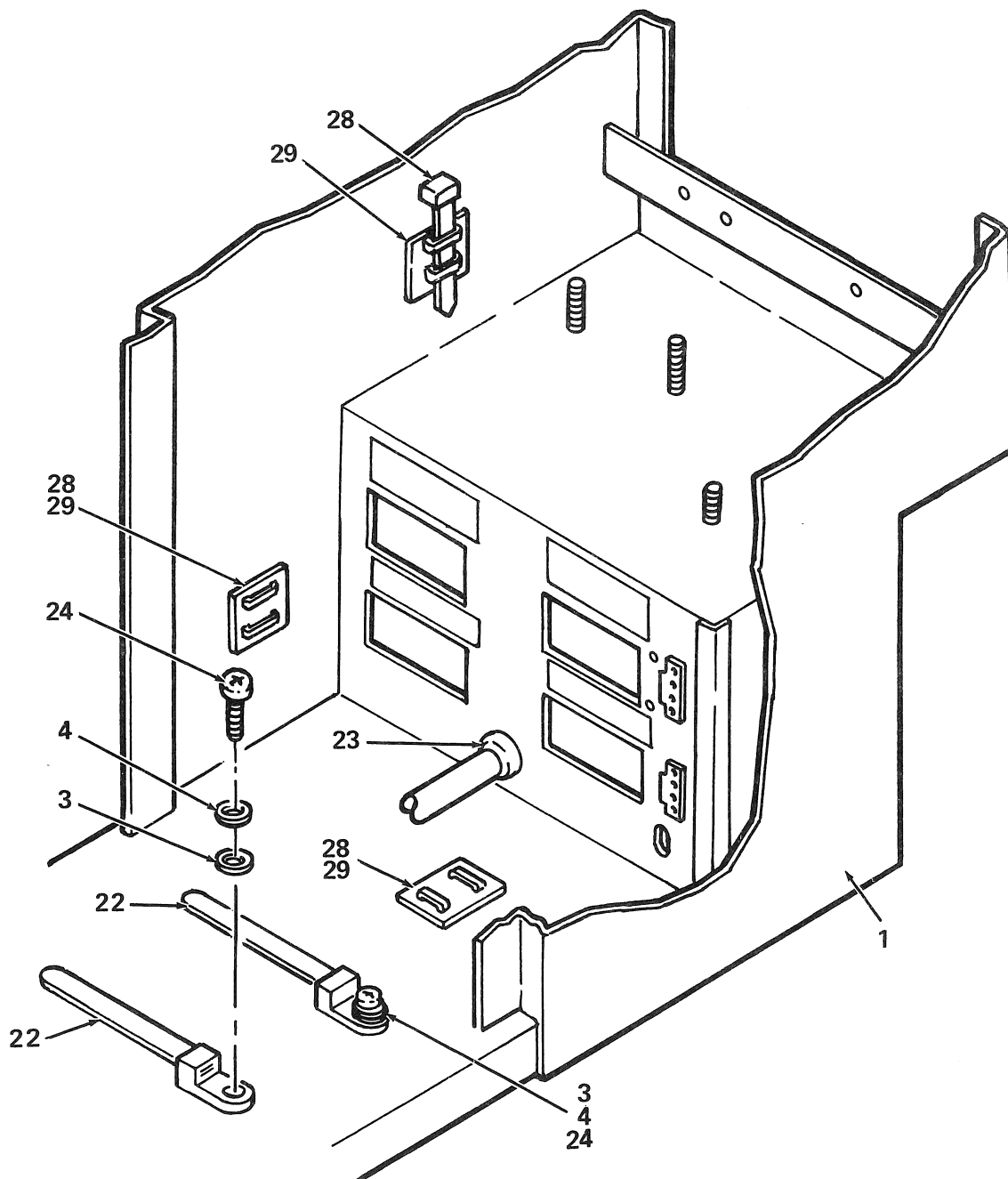
Figure 2. Enclosure Assembly (Sheet 3 of 6)



(C)

RP04-02C

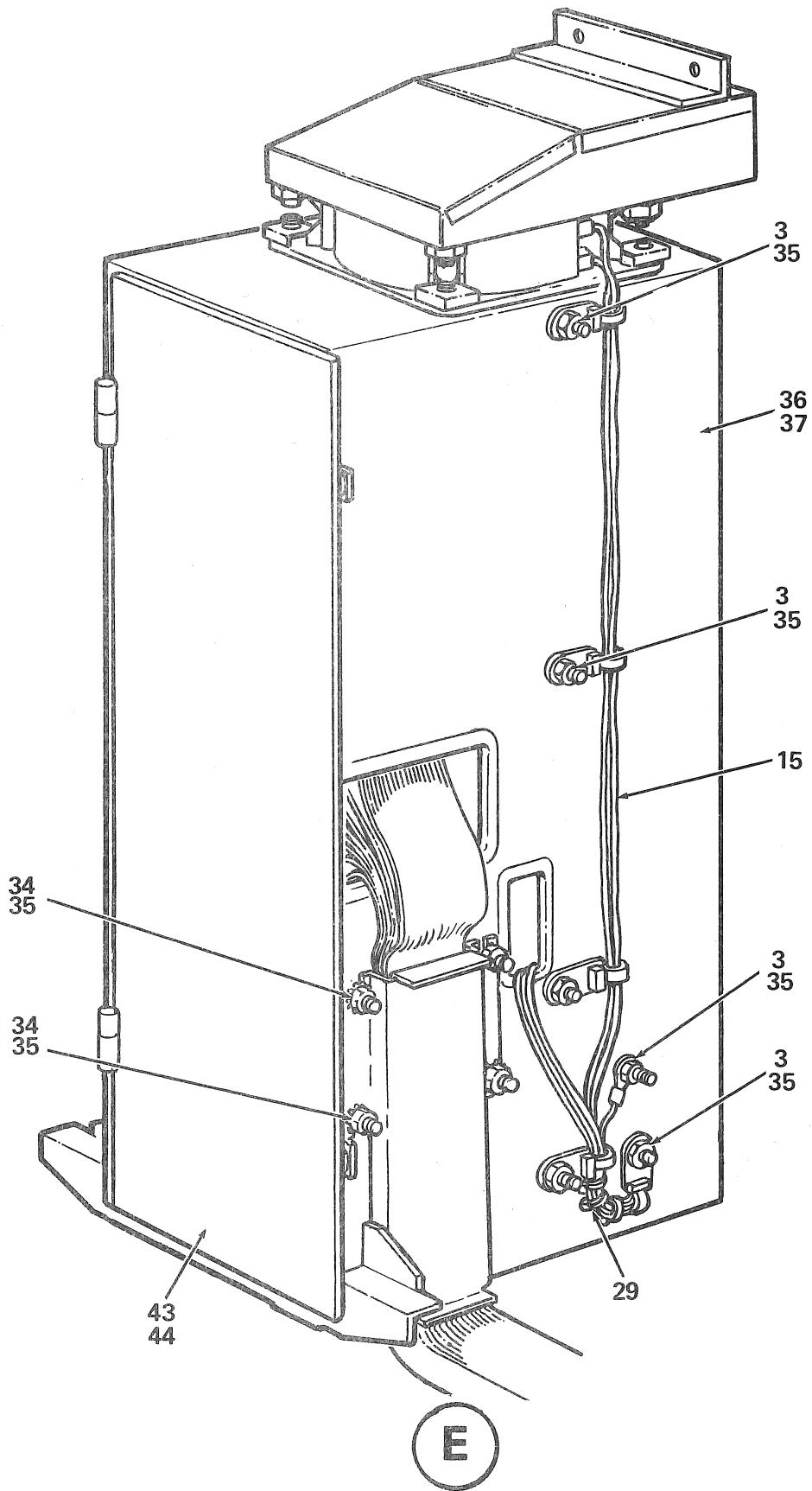
Figure 2. Enclosure Assembly (Sheet 4 of 6)



D

RP04-02D

Figure 2. Enclosure Assembly (Sheet 5 of 6)



RP04-02E

Figure 2. Enclosure Assembly (Sheet 6 of 6)

FIG. & ITEM NO.	DESCRIPTION	DEC PART NO.	ECO CUT-IN 70-09729 00000	USED ON CODE	REF FIG NO.
2-	ENCLOSURE ASSEMBLY (DCL) (Single Port)	70-09729-01		A,B	1
	ENCLOSURE ASSEMBLY (DCL) (Dual Port)	70-09729-02		C,D	1
1	*Enclosure, Weldment (deleted)	70-09707-00			
	*Enclosure, Weldment (added)	70-12065-00			
2	*POWER MONITOR BOARD AND TRANSFORMER ASSEMBLY	70-09628-00			3
3	*Washer, Flat No. 8	90-06660-00			
4	*Washer, Lock No. 8	90-06690-00			
5	*Screw, Phi Pan Hd No. 8-32 x 1/2	90-06039-01			
6	*Terminal Strip	90-07631-00			
7	*Screw, Phi. Thd. Form No.6-32 x 5/8	90-09587-01			
8	*Washer, Lock No. 6	90-07801-00			
9	*Washer, Flat No. 6	90-06653-00			
10	*Spacer, Hex No. 6-32 x 3/8	90-06801-00			
11	*Screw, Phi. Thd. Form No. 6-32 x 1.3/16	90-09588-01			
12	*Cover, Terminal Strip	74-08463-03			
13	*Grommets (added)	90-08209	00003		
14	*Decal	36-10267-00			
15	*POWER HARNESS ASSEMBLY	70-09731-00			5
16	*Circuit Breaker (5 amp) (deleted)	12-10191-01			
	*Circuit Breaker (5 amp) (added)	12-10191-07	00004		
17	*Terminator	90-07095-00			
18	*Grommet	90-07016-00			
19	*Housing, Circuit Breaker	74-11897-00			
20	*Connector, Faston (deleted)	90-07970-00			
	*Connector, Quick Disconnect (added)	90-07969-00	00002		
21	*Screw, Phi. Pan Hd. No. 6-32 x 3/16	90-08020-01			
22	*Cable Tie, Screw Down	90-07033-00			
23	*Strain Relief	90-08492-02			
24	*Screw, Phi. Thd. Form No. 8-32 x 3/8	90-06418-01			
25	*Cover, Circuit Breaker	74-11901-00			
26	*RECEPTACLE HOUSING ASSEMBLY	70-09861-00			
27	*Foot Leveler (added)	90-07600-00	00001		
28	*Cable Tie Mounts (added)	90-08264-00	00003		
29	*Cable Tie (added)	90-07032-00	00003		
30	*Washer, Flat No. 4	90-06655-00			
31	*Washer, Lock No. 4	90-06688-00			
32	*Screw, Phi. Pan Hd. No. 4-40 x 7/16	90-06012-01			
33	*Retainer, Flat Cable	74-11602-00			
34	*Washer, Flat (added)	90-06611-00	00003		
35	*Nut, Kep No. 8-32	90-06563-00			
36	*CARD NEST CABLE ASSEMBLY (Single Port) (deleted)	70-09732-01		A,B	6
	*CARD NEST and CABLE ASSEMBLY (Single Port) (added)	70-12061-00	RP04 00034		6A
37	*CARD NEST CABLE ASSEMBLY (Dual Port) (deleted)	70-09732-02		C,D	6
	*CARD NEST and CABLE ASSEMBLY (Dual Port) (added)	70-12061-01	RP04 00034		6A

FIG. & ITEM NO.	DESCRIPTION	DEC PART NO.	ECO CUT-IN 70-09729 00000	USED ON CODE	REF FIG NO.
2-					
38	*Nut, Cap No. 8-32	90-06613-00			
39	*Receptacle, Clip On (deleted)	90-09616-00			
	*Receptacle, Clip On (added)	90-08195-00	00003		
40	*Sleeve, Cover	74-11198-00			
41	*Spacer	74-11587-00			
42	*Screw Phl. Pan Hd. No. 8-32 x 3/8	90-06037-01			
43	*REAR PANEL ASSEMBLY	70-09662-00			
44	**Foam 1/8 x 1/4	90-08273-00			
45	*AIR BAFFLE ASSEMBLY	74-11166-00			
46	*Screw, Phl. Pan Hd. No. 6-32 x 3/8	90-06022-01			
47	*Nut, Speed Push-on No. 6-32	90-06584-00			
48	*H764 POWER SUPPLY ASSEMBLY	H764-00			8
49	*Front Panel Assembly	70-09664-00			
50	*Terminal, Ring Tongue (Blue) No. 10	90-07928-01			
51	*Terminal, Ring Tongue (Blue) No. 6	90-07927-01			
52	*Washer, External Tooth Lock No. 10	90-07651-00			

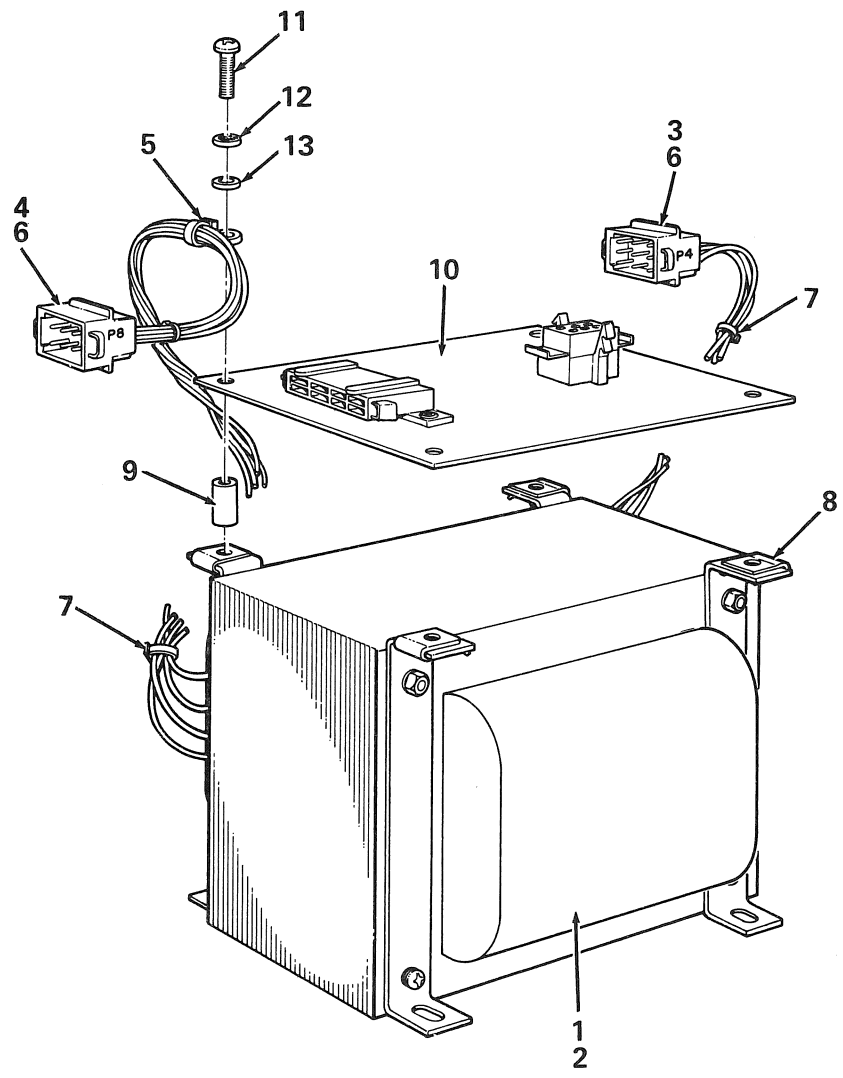
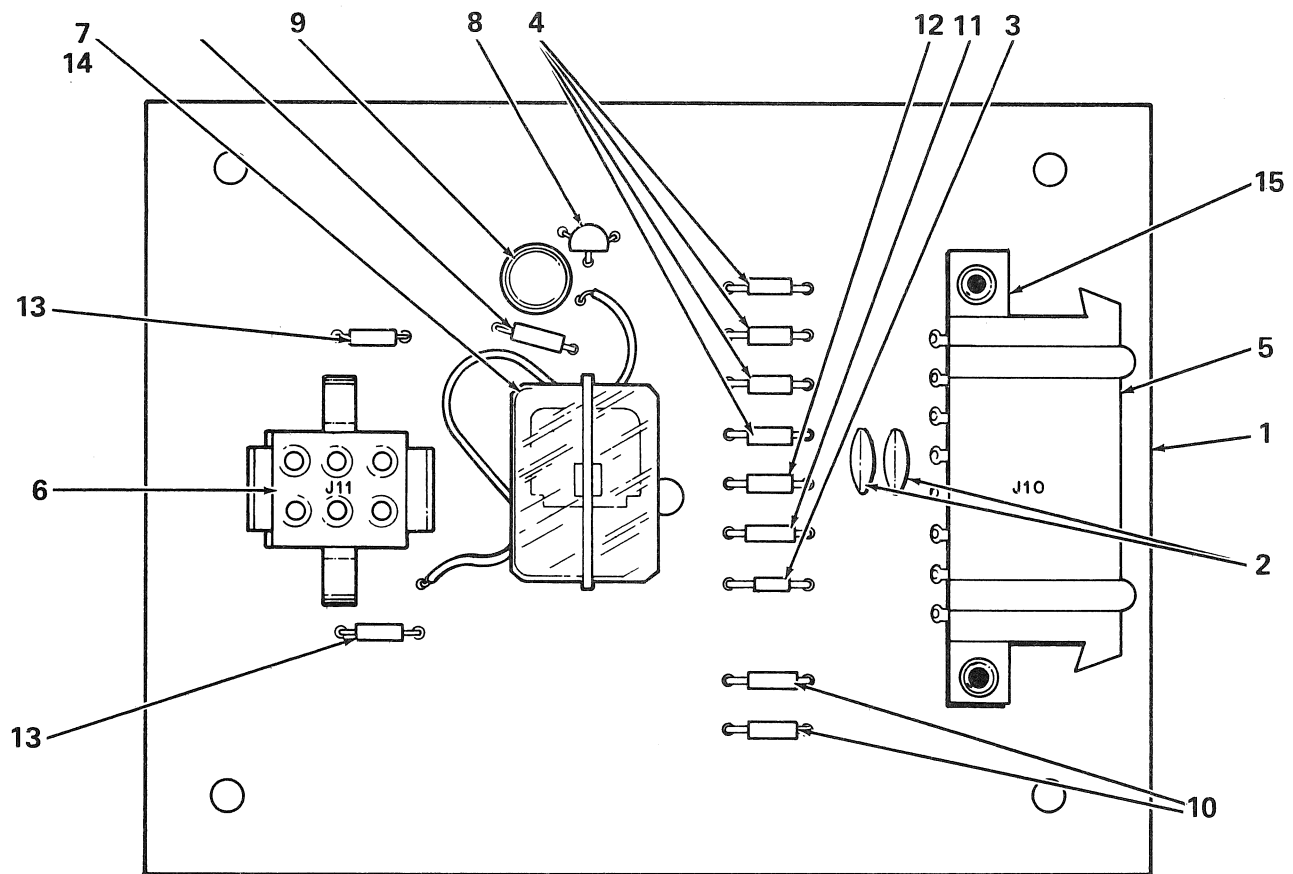


Figure 3. Power Monitor Board and Transformer Assembly

RP04-03

FIG. & ITEM NO.	DESCRIPTION	DEC PART NO.	ECO CUT-IN 70-09628 00000	USED ON CODE	REF FIG NO.
3-	POWER MONITOR BOARD AND TRANSFORMER ASSEMBLY	70-09628-00			2
1	*TRANSFORMER ASSEMBLY	70-09627-00			
2	**Transformer	16-11224-01			
3	**Connector (P4) (Pin Housing) Mate-N-Lok	12-09351-09			
4	**Connector (P8) (Pin Housing) Mate-N-Lok	12-09351-06			
5	**Tie Wrap, Screw Down	90-07033-00			
6	**Terminal, Pin Contact	12-09378-00			
7	**Tie Wrap	90-07880-00			
8	*Nut, Speed "U" Type	90-07963-00			
9	*Spacer	90-06801-00			
10	*POWER MONITOR BOARD ASSEMBLY	54-10817-00			4
11	*Screw, Phl Pan Hd No. 6-32 x .81	90-08037-01			
12	*Washer, Lock Int Tooth No. 6	90-06633-00			
13	*Washer, Flat	90-06653-00			

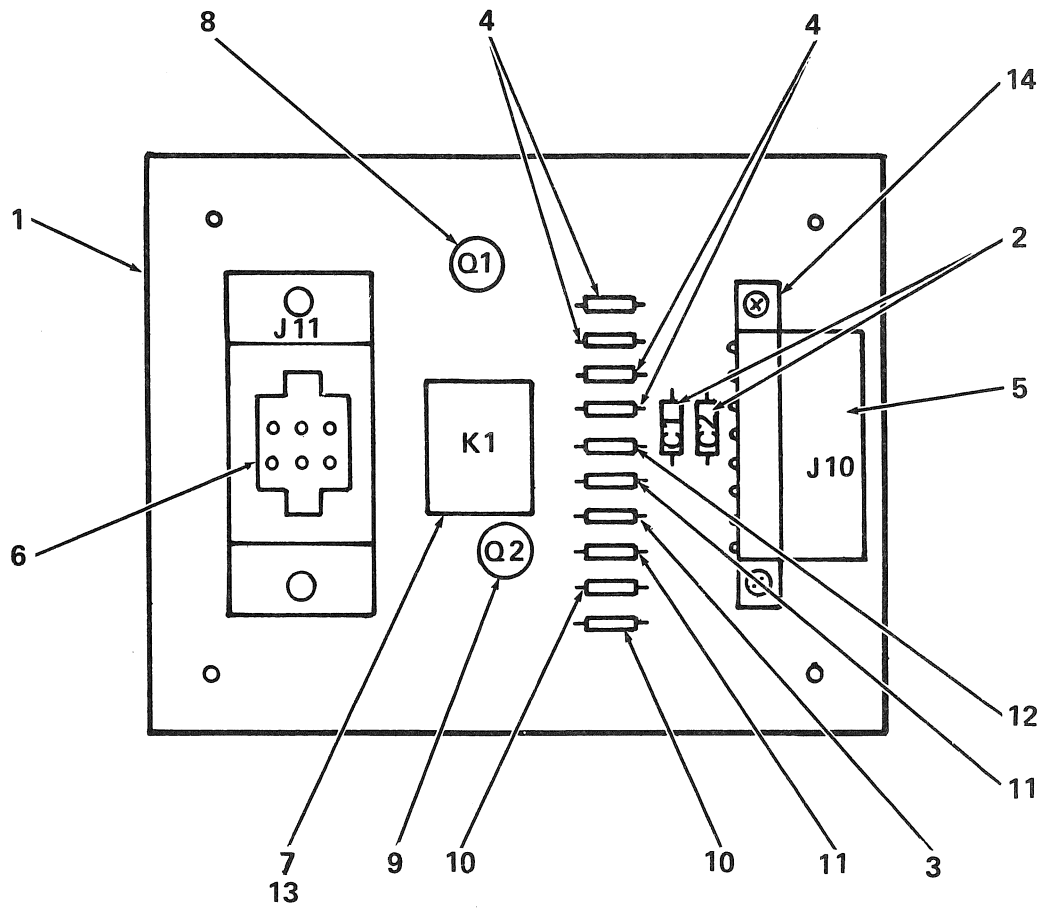


ETCH REV. B

RP04-04

Figure 4. Power Monitor Board Assembly (Etch Rev. B)

FIG. & ITEM NO.	DESCRIPTION	DEC PART NO.	ECO CUT-IN 54-10817 00001	USED ON CODE	REF FIG NO.
4-	POWER MONITOR BOARD ASSEMBLY (ETCH REV B)	54-10817-01			3
1	*Board, Etched Circuit	50-10816-00			
2	*Capacitor (C1, C2) .01 uF 100V +20% Disc	10-01610-01			
3	*Diode (D1) D664	11-00114-00			
4	*Diode (D2, D3, D4, D5) IN4004	11-05796-00			
5	*Connector (J10) (Socket Housing) Mate-N-Lok 8 Pin	12-09340-00			
6	*Connector (J11) (Socket Housing) Mate-N-Lok 6 Pin	12-09350-06			
7	*Relay (K1) 12 Vdc	12-09349-00			
8	*Transistor (Q1) 2N3009B	15-03100-00			
9	*Transistor (Q2) DEC 2219	15-01881-00			
10	*Resistor (R1, R4) 330 Ohm 1/4W 5%	13-00295-00			
11	*Resistor (R2, R5) 3.9K 1/4W 5%	13-00444-00			
12	*Resistor (R3) 10K 1/4W 5%	13-00479-00			
13	*Jumper (W1, W2) Insulated (.4) (deleted)	90-09185-00	00002		
14	*Socket, Relay PC	12-09359-01			
15	*Washer, Flat Nylon	90-06707-00			



ETCH REV. C

RP04-04A

Figure 4A. Power Monitor Board Assembly (Etch Rev. C)

FIG. & ITEM NO.	DESCRIPTION	DEC PART NO.	ECO CUT-IN 54-10817 00002	USED ON CODE	REF FIG NO.
4A-	POWER MONITOR BOARD ASSEMBLY (ETCH REV C)	54-10817-00			3
1	*Board, Etched Circuit	50-10816-00			
2	*Capacitor (C1, C2) .01 uF 100V +20% Disc	10-01610-01			
3	*Diode (D1) D664	11-00114-00			
4	*Diode (D2, D3, D4, D5) IN4004	11-05796-00			
5	*Connector (J10) (Socket Housing) Mate-N-Lok 8 Pin	12-09340-00			
6	*Connector (J11) (Socket Housing) Mate-N-Lok 6 Pin	12-09350-06			
7	*Relay (K1) 12 Vdc	12-09349-00			
8	*Transistor (Q1) 2N3009B	15-03100-00			
9	*Transistor (Q2) DEC 2219	15-01881-00			
10	*Resistor (R1, R4) 330 Ohm 1/4W 5%	13-00295-00			
11	*Resistor (R2, R5) 3.9K 1/4W 5%	13-00444-00			
12	*Resistor (R3) 10K 1/4W 5%	13-00479-00			
13	*Socket, Relay PC	12-09359-01			
14	*Washer, Flat Nylon	90-06707-00			

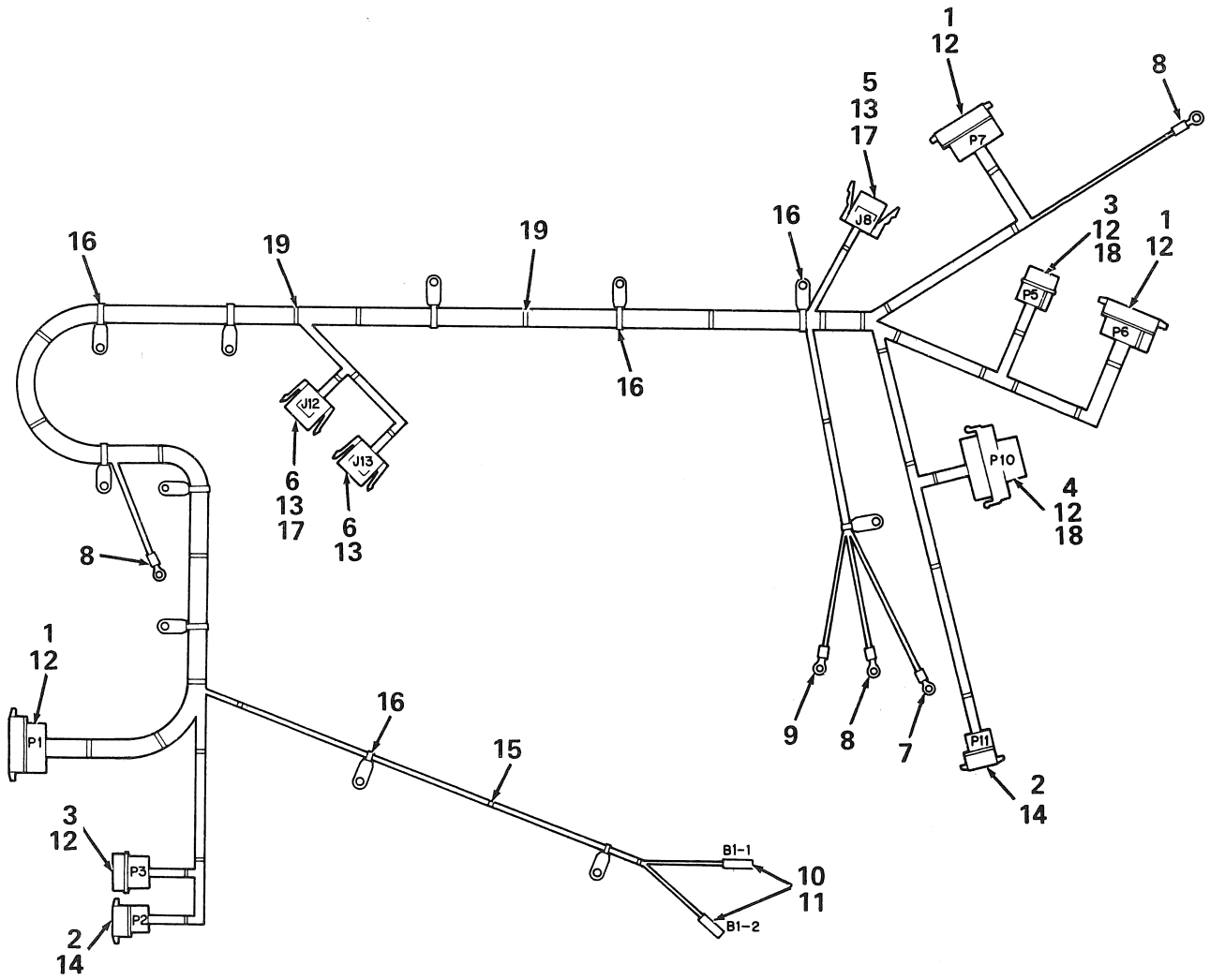


Figure 5. Power Harness Assembly

RP04-05

FIG. & ITEM NO.	DESCRIPTION	DEC PART NO.	ECO CUT-IN 70-09731 00001	USED ON CODE	REF FIG NO.
5-	POWER HARNESS ASSEMBLY	70-09731-00			2
1	*Connector (P1, P6, P7) (Pin Housing) Mate-N-Lok 15 Pin	12-09351-15			
2	*Connector (P2, P11) (Pin Housing) Mate-N-Lok 6 Pin	12-09351-06			
3	*Connector (P3, P5) (Pin Housing) Mate-N-Lok 4 Pin	12-09351-04			
4	*Connector (P10) (Socket Housing) Mate-N-Lok 8 Pin	12-09340-01			
5	*Connector (J8) (Socket Housing) Mate-N-Lok 6 Pin	12-09350-06			
6	*Connector (J12, J13) (Socket Housing) Mate-N-Lok 4 Pin	12-09350-04			
7	*Connector (E1) Solderless	90-07926-00			
8	*Connector (E3, E4, TB1-1) Solderless	90-07930-00			
9	*Connector (TB1-2) Solderless	90-07928-00			
10	*Terminal, Fastab	12-10820-02			
11	*Housing (B1) Fastab Socket	12-10820-01			
12	*Terminal, Pin Contact	12-09378-00			
13	*Terminal, Socket Contact	12-09379-00			
14	*Terminal, Pin Contact	12-09378-03			
15	*Cable Tie	90-07880-00			
16	*Cable Tie, Screw Down	90-07033-00			
17	*Terminal, Socket Contact	12-09379-07			
18	*Terminal, Pin Contact	12-09378-10			
19	*Cable Tie	90-07032-00			

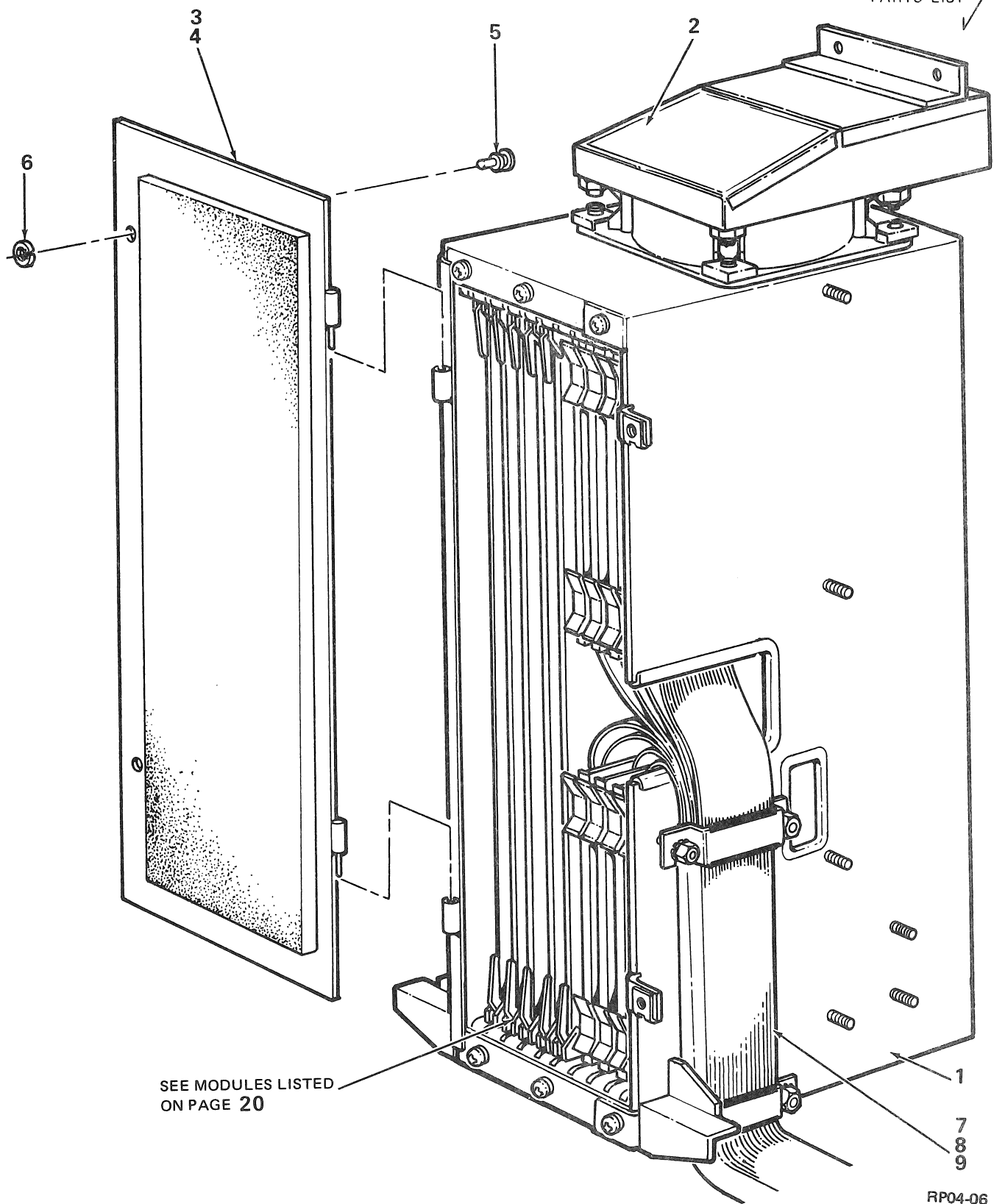
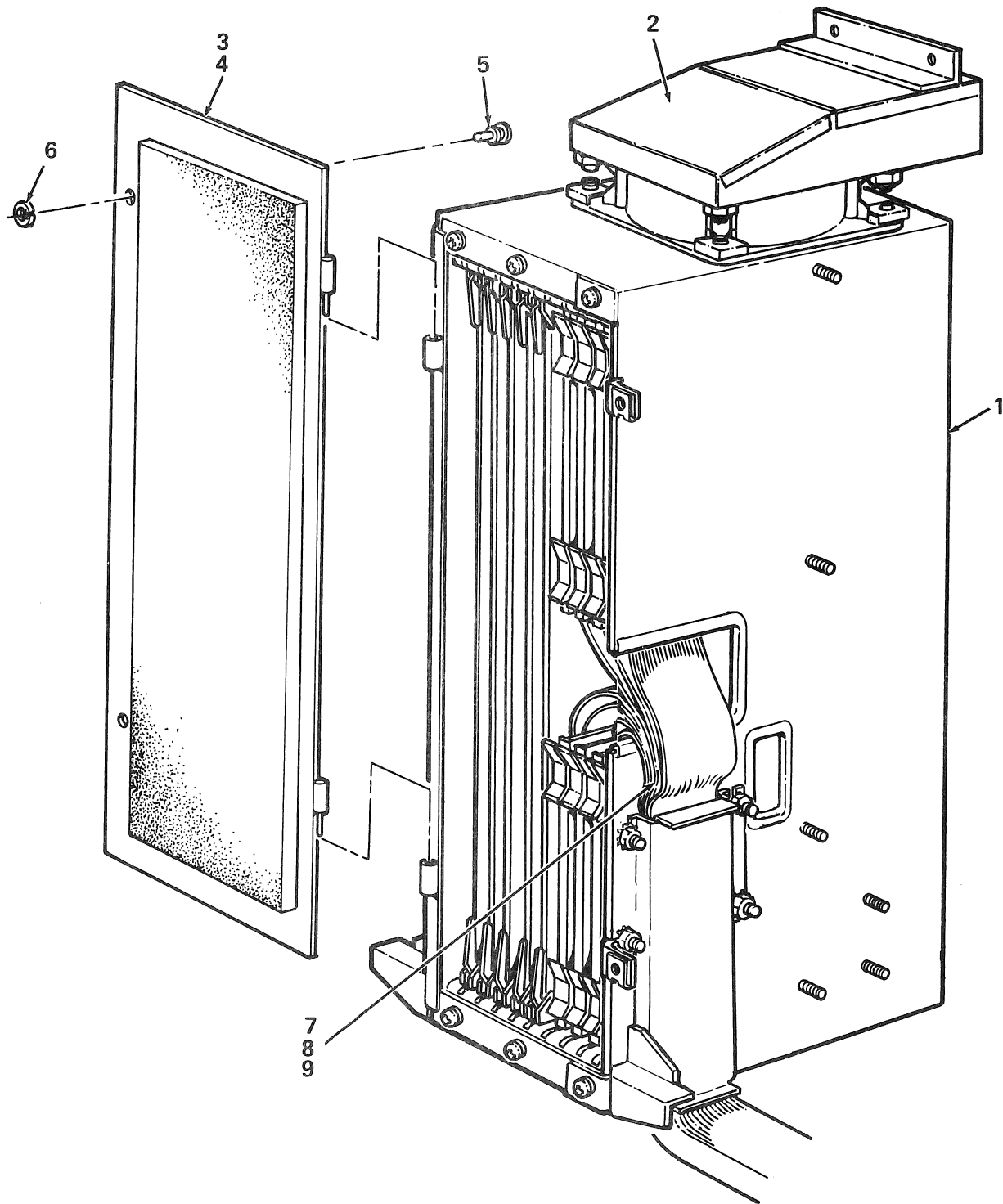


Figure 6. Card Nest and Cable Assembly

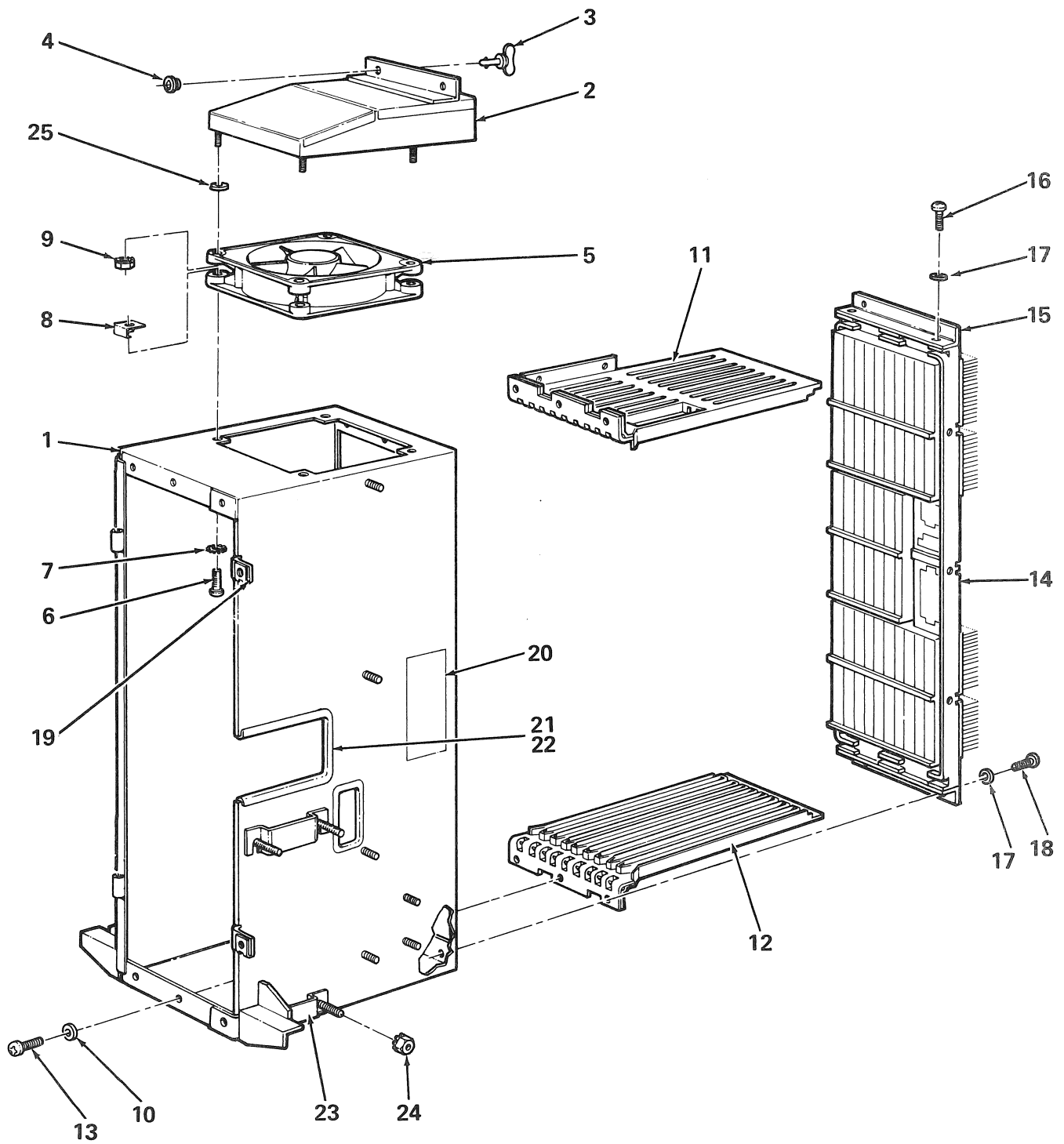
FIG. & ITEM NO.	DESCRIPTION	DEC PART NO.	ECO CUT-IN 70-09732 00000	USED ON CODE	REF FIG NO.
6-	CARD NEST and CABLE ASSEMBLY (Single Port) (deleted)	70-09732-01	RP04		2
	CARD NEST and CABLE ASSEMBLY (Dual Port) (deleted)	70-09732-02	00034		2
1	*CARD NEST ASSEMBLY	70-09660-00			7
2	*Card Nest Status Sticker	74-11811-00			
3	*Sticker, Dual Control Information Cover (Located Inside Door Assembly Item 4)	36-11703-00		A,B	
4	*DOOR ASSEMBLY	74-11601-00			
5	*Fastener, 1/4 Turn	90-08342-00			
6	*Retainer	90-08200-00			
7	*HARNESS, Single Port (NFR)	70-09807-00			
8	*HARNESS, Dual Port (NFR)	70-09808-00		C,D	
9	*HARNESS, MDLI Cable (NFR)	70-09806-00			
	Modules				
	†Seek and Search Control Logic	M7772			
	†Synchronous Logic	M7773			
	†Register Logic	M7774			
	†Dual Port Logic	M7775			
	†Error Correction	M7776			
	†Min Device Level Interface	M7777			
	†Min Device Level Interface	M7778			
	†Drive Transceiver	M5903			



RP04-06A

Figure 6A. Card Nest and Cable Assembly

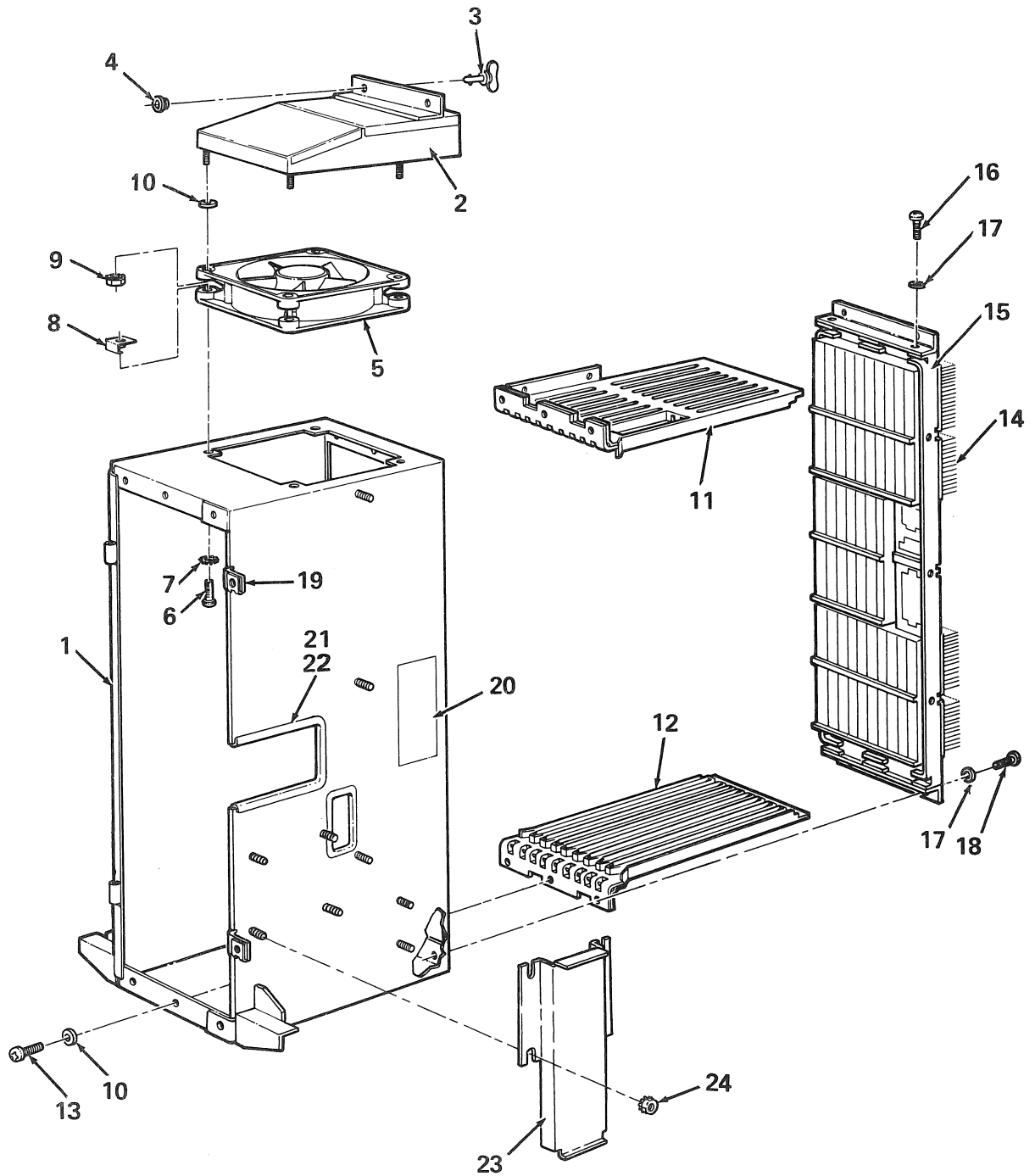
FIG. & ITEM NO.	DESCRIPTION	DEC PART NO.	ECO CUT-IN 70-12060 00004	USED ON CODE	REF FIG NO.
6A-	CARD NEST and CABLE ASSEMBLY (Single Port) (added)	70-12061-00	RP04	AB	2
	CARD NEST and CABLE ASSEMBLY (Dual Port) (added)	70-12061-01	00034	CD	2
1	*CARD NEST ASSEMBLY	70-12062-00			7A
2	*Card Nest Status Sticker	74-15193-00			
3	*Sticker, Dual Control Information Cover (Located Inside Door Assembly Item 4)	36-11703-00		A,B	
4	*DOOR ASSEMBLY	74-11601-00			
5	*Fastener, 1/4 Turn	90-08342-00			
6	*Retainer	90-08200-00			
7	*HARNES, Single Port (NFR)	70-09807-00			
8	*HARNES, Dual Port (NFR)	70-09808-00		C,D	
9	*HARNES, MDLI Cable (NFR)	70-12064-00			
	Modules				
	†Seek and Search Control Logic	M7786			
	†Synchronous Logic	M7773			
	†Register Logic	M7774			
	†Interface Control	M7787			
	†Error Correction	M7776			
	†Interface Receiver	M7789			
	†Interface Transmitter	M7788			
	†Drive Transceiver	M5903			



RP04-07

Figure 7. Card Nest Assembly

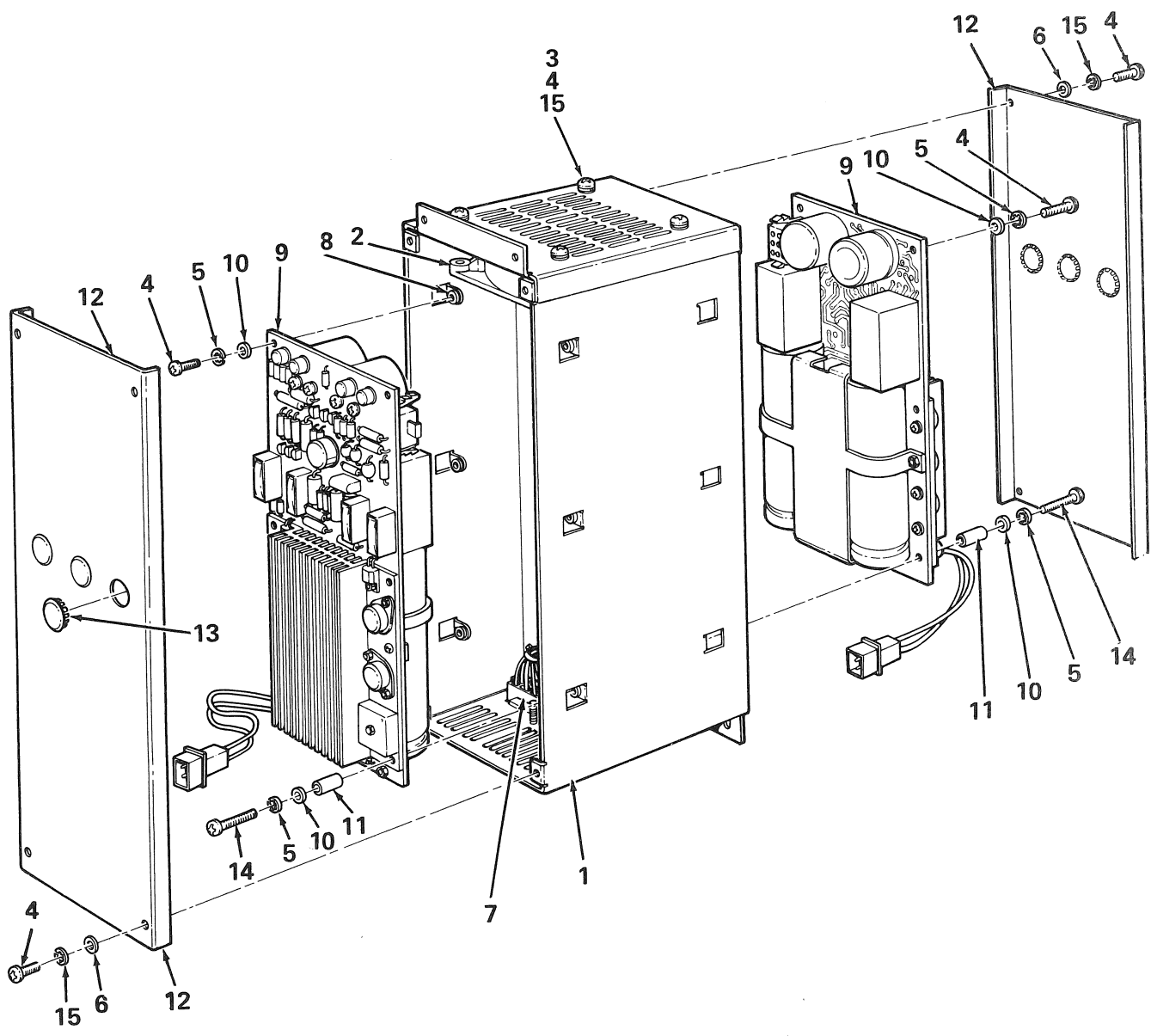
FIG. & ITEM NO.	DESCRIPTION	DEC PART NO.	ECO CUT-IN 70-09660 00000	USED ON CODE	REF FIG NO.
7-	CARD NEST ASSEMBLY (deleted)	70-09660-00	RP04 00034		6
1	*CHASSIS ASSEMBLY	70-09730-00			
2	*PLENUM ASSEMBLY	70-09663-00			
3	**Screw, Wing Head	90-09615-00			
4	**Retainer	90-08485-00			
5	*Fan, 115 Vac 115 CFM	12-09403-02			
6	*Screw, Phl Pan Hd No. 6-32 x .62	90-06025-01			
7	*Washer, Ext Tooth No. 6	90-07649-00			
8	*Clip, Fan Mounting	90-09165-00			
9	*Nut, Kep No. 6-32	90-06560-00			
10	*Washer, Flat No. 6	90-06653-00			
11	*Card Guide, Left Hand	12-11100-00			
12	*Card Guide, Right Hand	12-11099-00			
13	*Screw, Phl Pan Hd (Self Tapping) No. 6-32 x 1/2	90-08181-01			
14	*WIRED ASSEMBLY	70-09623-00			
15	*Bracket, Mounting Back Plane	74-11584-00			
16	*Screw, Phl Pan Hd No. 8-32 x .38	90-06037-01			
17	*Washer, Lock Int Tooth No. 8	90-06634-00			
18	*Screw, Phl Pan Hd No. 8-32 x .38	90-06418-01			
19	*Clip on Receptacle, Southco	90-08196-00			
20	*Sticker, Back Plane	74-11881-00			
21	*Grommet, Strip (26 IN)	90-08209-00			
22	*Adhesive	90-07594-00			
23	*Retainer	74-11602-00			
24	*Nut, Kep No. 8-32	90-06563-00			
25	*Washer, Nylon No. 6 (added)	90-06707-00	00002		



RP04-07A

Figure 7A. Card Nest Assembly

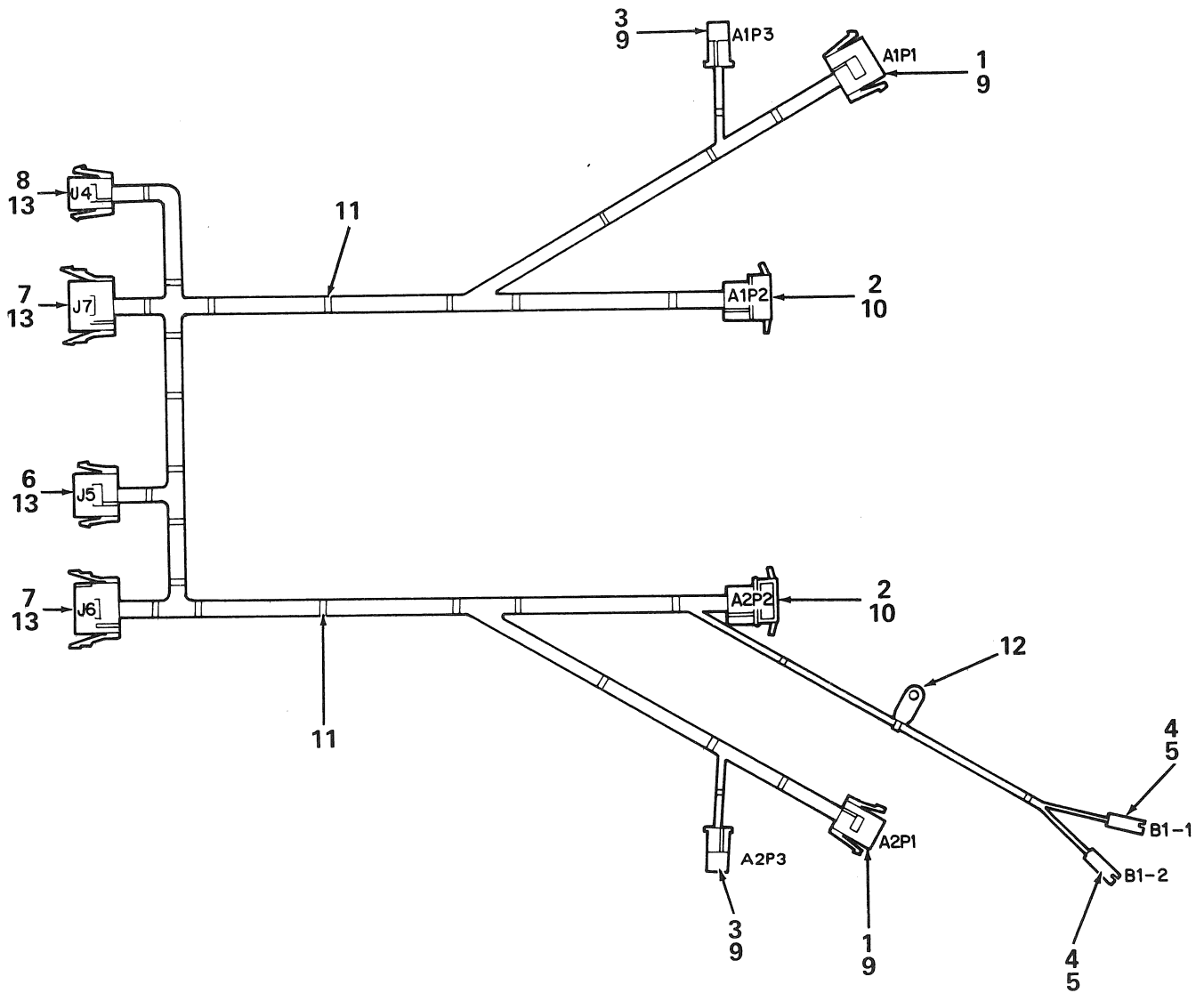
FIG. & ITEM NO.	DESCRIPTION	DEC PART NO.	ECO CUT-IN 70-12062 00001	USED ON CODE	REF FIG NO.
7A-	CARD NEST ASSEMBLY (added)	70-12062-00	RP04 00034		6A
1	*Chassis Assembly	70-12063-00			
2	*PLENUM ASSEMBLY	70-09663-00			
3	**Screw, Wing Head	90-09615-00			
4	**Retainer	90-08485-00			
5	*Fan, 115 Vac 115 CFM	12-09403-02			
6	*Screw, Phi Pan Hd No. 6-32 x .62	90-06025-01			
7	*Washer, Ext Tooth No. 6	90-07649-00			
8	*Clip, Fan Mounting	90-09165-00			
9	*Nut, Kep No. 6-32	90-06560-00			
10	*Washer, Flat No. 6	90-06653-00			
11	*Card Guide, Left Hand	12-11100-00			
12	*Card Guide, Right Hand	12-11099-00			
13	*Screw, Phi Pan Hd (Self Tapping) No. 6-32 x 1/2	90-08181-01			
14	*WIRED ASSEMBLY	70-09623-00			
15	*Bracket, Mounting Back Plane	74-11584-00			
16	*Screw, Phi Pan Hd No. 8-32 x .38	90-06037-01			
17	*Washer, Lock Int Tooth No. 8	90-06634-00			
18	*Screw, Phi Pan Hd No. 8-32 x .38	90-06418-01			
19	*Clip on Receptacle, Southco	90-08196-00			
20	*Sticker, Back Plane	74-11881-00			
21	*Grommet, Strip (26 IN)	90-08209-00			
22	*Adhesive	90-07594-00			
23	*Support, Cable	74-15191-00			
24	*Nut, Kep No. 8-32	90-06563-00			



RP04-08

Figure 8. Power Supply Assembly

FIG. & ITEM NO.	DESCRIPTION	DEC PART NO.	ECO CUT-IN H764 00002	USED ON CODE	REF FIG NO.
8-	H764 POWER SUPPLY ASSEMBLY	H764-00			2
1	*CHASSIS ASSEMBLY	74-11356-00			
2	*Fan, 115V 115 CFM	12-09403-01			
3	*Clip, Fan Mounting	90-09165-00			
4	*Screw, Thd Form 6-32 x .62	90-09587-01			
5	*Washer, Lock Split No. 6	90-07801-00			
6	*Washer, Flat No. 6 (deleted)	90-06653-00	00007		
7	*POWER SUPPLY HARNESS	70-09614-00			9
8	*Washer, Fiber Adhesive Backing	90-08848-00			
9	*REGULATOR BOARD ASSEMBLY	54-09728-00		(See 54-09728 IPB)	
10	*Washer, Insulated Flat No. 6	90-06693-00			
11	*Insulator (deleted)	74-12615-00	00003		
12	*Cover	74-11367-00			
13	*Plug, Button	90-07060-00			
14	*Screw, Nylon No. 6 (added)	90-09055-05	00003		
15	*Washer, Internal Tooth Lock No. 6 (added)	90-06633-00	00007		

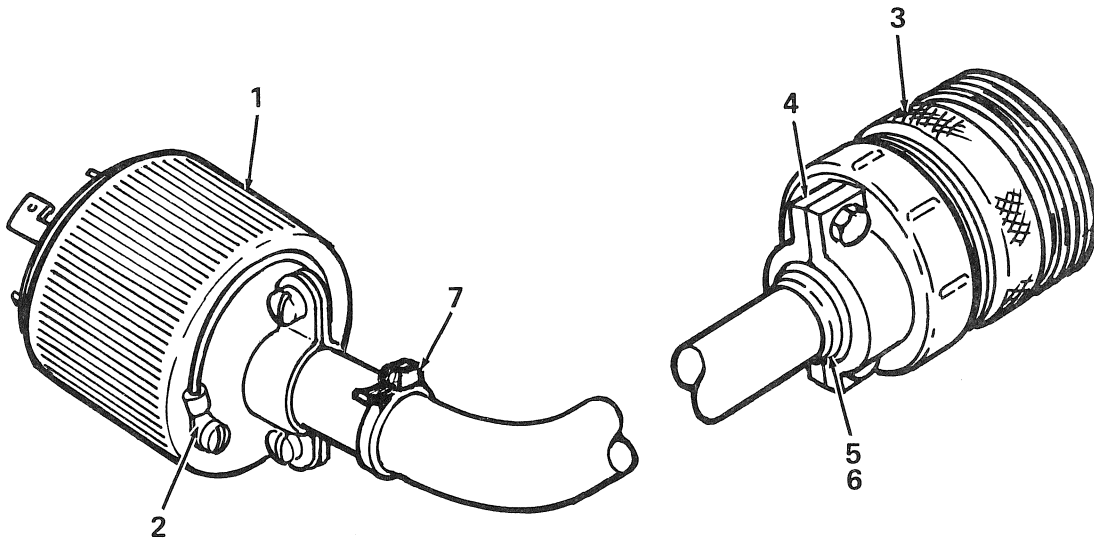


RP04-09

Figure 9. Power Supply Harness Assembly

FIG. & ITEM NO.	DESCRIPTION	DEC PART NO.	ECO CUT-IN 70-09614 00001	USED ON CODE	REF FIG NO.
9-	H764 POWER SUPPLY HARNESS ASSY	70-09614-00			8
1	*Connector (A1P1, A2P1) (Socket Housing) Mate-N-Lok 3 Pin	12-09350-03			
2	*Connector (A1P2, A2P2) (Pin Housing) Mate-N-Lok 9 Pin	12-09351-09			
3	*Connector (A1P3, A2P3) (Socket Housing) Mate-N-Lok 2 Pin	12-10821-02			
4	*Terminal, Fastab	12-10820-02			
5	*Housing (B1) Fastab Socket	12-10820-01			
6	*Connector (J5) (Socket Housing) Mate-N-Lok 4 Pin	12-09350-04			
7	*Connector (J6, J7) (Socket Housing) Mate-N-Lok 15 Pin	12-09350-15			
8	*Connector (U4) (Socket Housing) Mate-N-Lok 9 Pin	12-09350-09			
9	*Terminal, Socket Contact	12-09379-00			
10	*Terminal, Pin Contact	12-09378-00			
11	*Cable Tie	90-07880-00			
12	*Cable Tie, Screw Down	90-07033-00			
13	*Terminal, Socket Contact (added)	12-09379-07	00003		

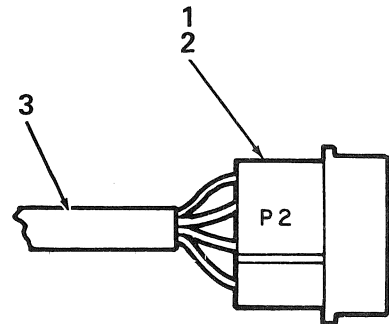
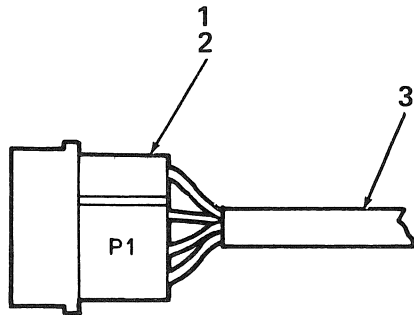
FIG. & ITEM NO.	DESCRIPTION	DEC PART NO.	ECO CUT-IN 70-06464 00002	USED ON CODE	REF FIG NO.
10-	POWER CABLE ASSEMBLY 50 Hz (deleted)	70-06464-01		B,D	1
	POWER CABLE ASSEMBLY 50 Hz (added)	70-06464-03	00004	B,D	1
	POWER CABLE ASSEMBLY 60 Hz (deleted)	70-06464-02		A,C	1
	POWER CABLE ASSEMBLY 60 Hz (added)	70-06464-04	00004	A,C	1
1	*Connector, (P1) Hubbel Twist-lock 60 Hz	12-11209-00		A,C	
	*Connector, (P1) Hubbel Twist-lock 50 Hz	12-09010-00		B,D	
2	*Terminal, Ring Tongue	90-07926-01			
3	*Connector, (P2) Amphenol	12-09643-00			
4	*Clamp (P2) Amphenol	12-09571-00			
5	*Bushing, Rubber (added)	12-10776-06	00004		
6	*Bushing, Rubber (added)	12-10776-07	00004		
7	*Cable Tie (added)	90-07031-00	00005		



RP04-10

Figure 10. Power Cable Assembly

FIG. & ITEM NO.	DESCRIPTION	DEC PART NO.	ECO CUT-IN 70-09491 00001	USED ON CODE	REF FIG NO.
11-	POWER SEQUENCE CABLE ASSEMBLY	70-09491-01			1
1	*Connector, (P1,P2) 4 Pin Mate-N-Lok	12-09351-04			
2	*Terminal, (P1,P2) Pin Contact	12-09378-03			
3	*Cable, Multi-Conductor	91-07706-00			
					DEC



RP04-11

Figure 11. Power Sequence Cable Assembly

**ILLUSTRATED PARTS BREAKDOWN
COMMENT SHEET**

Any and all comments and suggestions for correcting errors and/or additional information to improve this manual will be reviewed and researched for possible use when this manual is revised and/or reprinted. Enter your comments and suggestions in the form provided below and return to Technical Documentation.

MODEL RP04 DISK PACK DRIVE

PUBLICATION NO. EK-0RP04-IP-002

FIGURE NO. _____ ITEM NO. _____
CHANGE FROM _____
CHANGE TO _____

FIGURE NO. _____ ITEM NO. _____
CHANGE FROM _____
CHANGE TO _____

FIGURE NO. _____ ITEM NO. _____
CHANGE FROM _____
CHANGE TO _____

FIGURE NO. _____ ITEM NO. _____
CHANGE FROM _____
CHANGE TO _____

FIGURE NO. _____ ITEM NO. _____
CHANGE FROM _____
CHANGE TO _____

FIGURE NO. _____ ITEM NO. _____
CHANGE FROM _____
CHANGE TO _____

ADDITIONAL COMMENT(S)

Please describe your position. _____

Name _____ Organization _____

Street _____ Department _____

City _____ State _____ Zip or Country _____

Fold Here

Do Not Tear - Fold Here and Staple

digital



No Postage
Necessary
if Mailed in the
United States

BUSINESS REPLY MAIL

FIRST CLASS PERMIT NO. 33 MAYNARD, MA.

POSTAGE WILL BE PAID BY ADDRESSEE

Digital Equipment Corporation
Communications Development and Publishing Services
129 Parker Street, PK3-1/T12
Maynard, MA 01754

