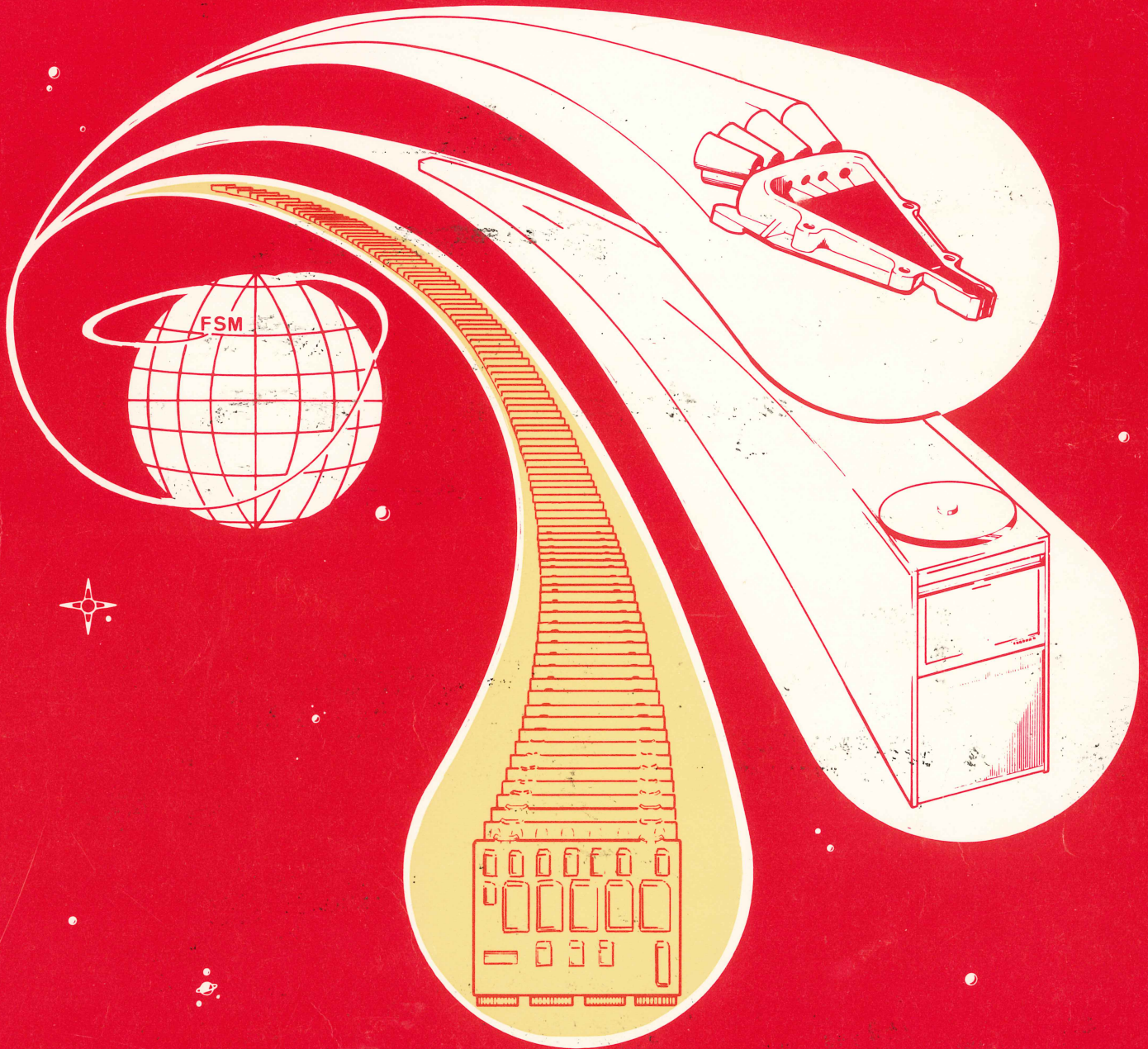


FIELD SERVICE LOGISTICS



REPAIR PROCESS

A-RE-7020814-01-W00^{\$02}

digital

ILLUSTRATED PARTS BREAKDOWN

RL02 DISK DRIVE

HOW TO USE THE IPB

GENERAL

This IPB is compiled following the organization and nomenclature of the engineering drawing structure.

MAJOR ASSEMBLY LOCATOR

The Major Assembly Locator (first illustration) is an index that provides a description and a figure reference for all illustrations used in this manual.

INDENTED PARTS LIST

This manual identifies each assembly being broken down (figure reference callout), and all parts of that assembly. Further breakdown of an assembly is shown by an asterisk (*) preceding the item callouts in the Description Column. The number of asterisks preceding an item is used to denote the subordination of that item with respect to the Major Assembly. A single asterisk preceding an item description indicates that the item is part of the major assembly being illustrated. Items that are subordinate to single asterisks items, are denoted by two asterisks (**) and immediately follow the related single asterisk item. Additional asterisks are used, as required, to denote further subordination. This system of part identification, provides a means for the user to identify the next higher assembly item and make alternate selections for parts when the required replacement part or assembly is not immediately available.

COLUMN CALLOUT DESCRIPTION

Figure & Item — Indicates the figure number and item number of each part.

Description — Lists the name of the part and pertinent specifications (when required). Asterisks preceding the description denote the subordination of the part to the next higher assembly.

DEC Part No. — Lists the DEC part ordering number. A blank in this column indicates a DEC part number was not assigned at the time of publication.

ECO Cut-In — The notation at the top of this column indicates the ECO level of the system (option), at which the IPB was initially prepared. Subsequent ECO level designations, that modify existing parts or add new parts to the device, are inserted in the ECO Cut-In column next to the part that is added or modified. A bracket ([]) preceding the item description is used to indicate the parts affected by ECO's.

Vendor Code/Part No. — Indicates vendor parts that are not stocked by DEC. Refer to the Field Service Spares Catalog (vendor part number to DEC part number) for the vendor code cross-reference.

Used On Code — Letters in this column correspond to the variation codes assigned in Figure 1. Parts with an Alpha notation(s) are used only in those option variations. A blank indicates that the part is used on all option variations.

Ref Fig No. — A cross reference between illustrations. For each Major Assembly, the number in this column denotes the figure of the next higher assembly. For all subassemblies, the number in this column denotes the figure showing additional detailed breakdown.

SYMBOL USAGE

Hardware Designators — Alpha designators for screws (S), washers (W), nuts (N), and retaining rings (R) are inserted after the item number callouts on the illustration when stacked item numbers are used.

Attaching Hardware — The @ symbol is inserted before any part that is used as attaching hardware. Attaching hardware is denoted as those parts that are not an integral part of the referenced assembly.

(NFR) Not Field Repairable — The (NFR) symbol is inserted after any assembly that is not to be field dismantled.

Other Symbols — Any other symbols that are required for kits, accessories, etc., will be explained and appear as part of the item description.

REVISION HISTORY

OTHER IPB MANUALS REQUIRED TO SUPPORT THIS OPTION

PRINTING	ECO LEVEL				DATE	
4th Printing	RL02-AK	00000-00005	70-12130	00002-00015	6-30-85	N/A
	RL02-FK	00000-00003	70-12108	00002-00004		
	RL02-A	RL02-AK-00005	70-12142	00000-00016		
	RL02-F	RL02-FK-00003	70-14262	RL02-00016		
	RL02	00000-00025	70-15125	00001-00001		
	70-12114	00000-00005	70-12111	RL01-00043		
	70-12112	00004-00006	54-11846	00004-00005		
	70-16691	RL02-00025	70-12115	RL02-00025		
	70-15124	RL01-00049	70-16983	00001-00001		

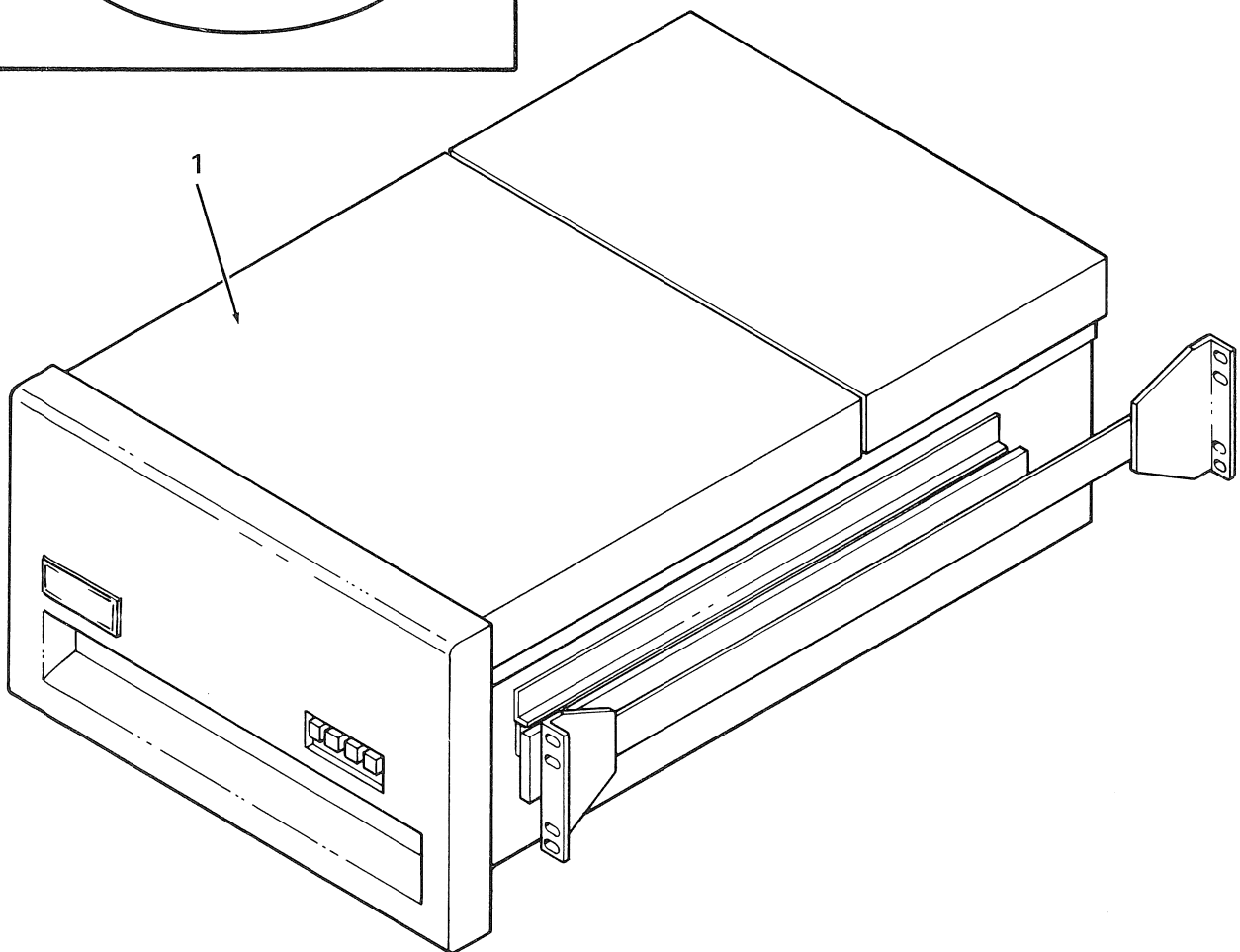
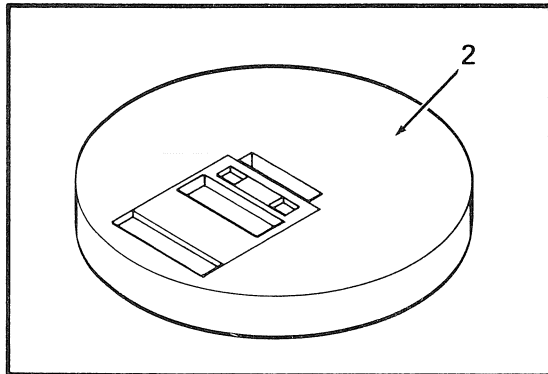
Copyright © 1979, 1981, 1982, 1985 by Digital Equipment Corporation. All rights reserved.

DEC reserves the right, without notice, to make substitutions and modifications in the specifications of products documented in this manual and further reserves the right to withdraw any of these products from the market without notice.

DEC is not responsible for errors which may appear in the technical description (including illustrations and photographs) of the products covered by this manual.

None of the descriptions contained in this manual imply the granting of any license whatsoever to make, use or sell equipment constructed in accordance therewith.

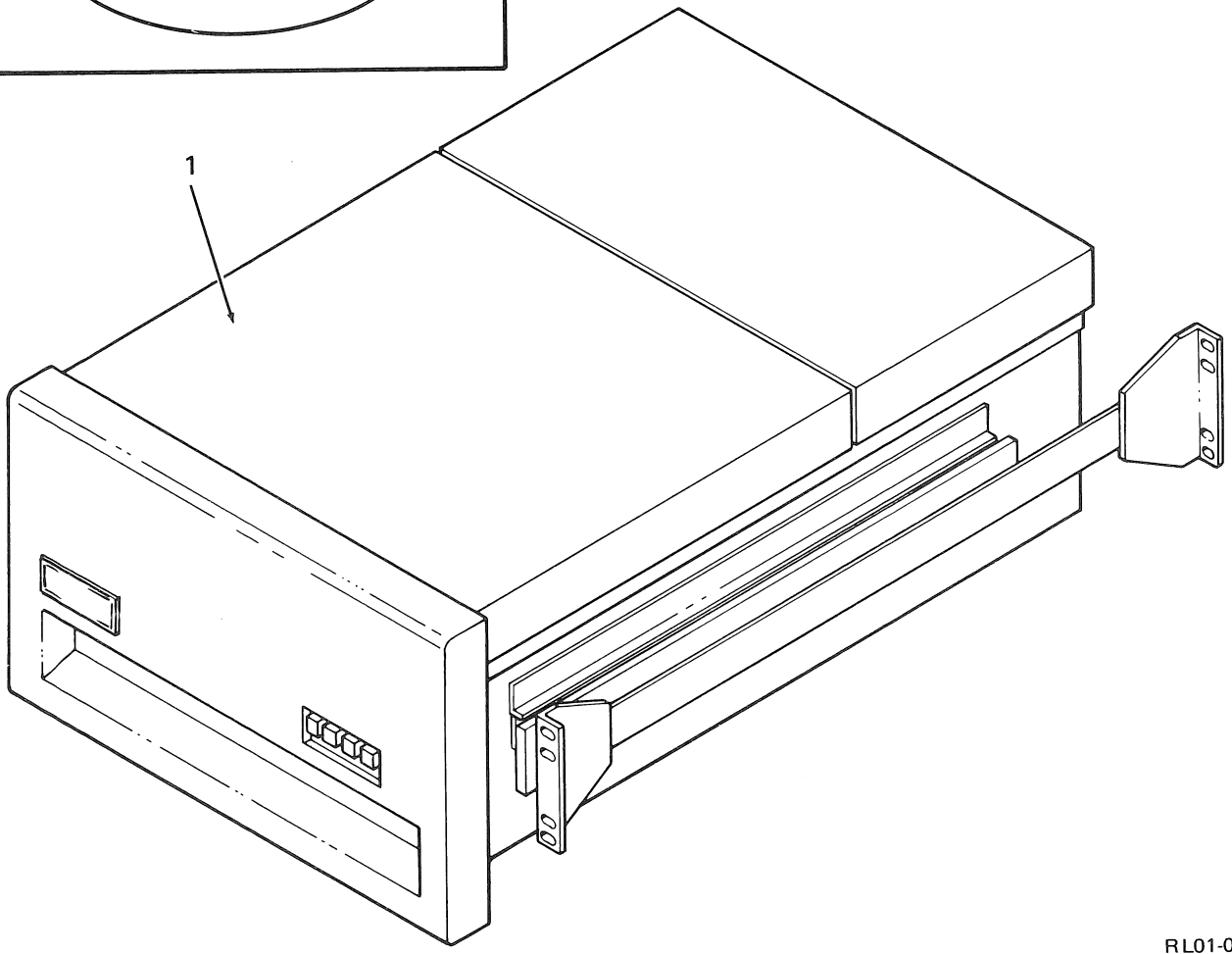
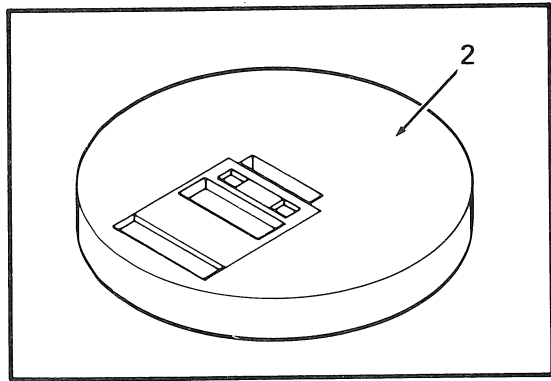
FIG. & ITEM NO.	DESCRIPTION	DEC PART NO.	ECO CUT-IN RL02-AK 00000	USED ON CODE	REF FIG NO.
1-	RL02 DISK DRIVE AND CARTRIDGE	RL02-AK			
1	*RL02-A DISK DRIVE AND MOUNTING HARDWARE	RL02-A			2
2	*RL02 Data Cartridge (deleted)	RL02-DC			
	*RL02 10 Megabyte Data Cartridge (added)	RL02K-DC	RL02 00007		



RL01-01

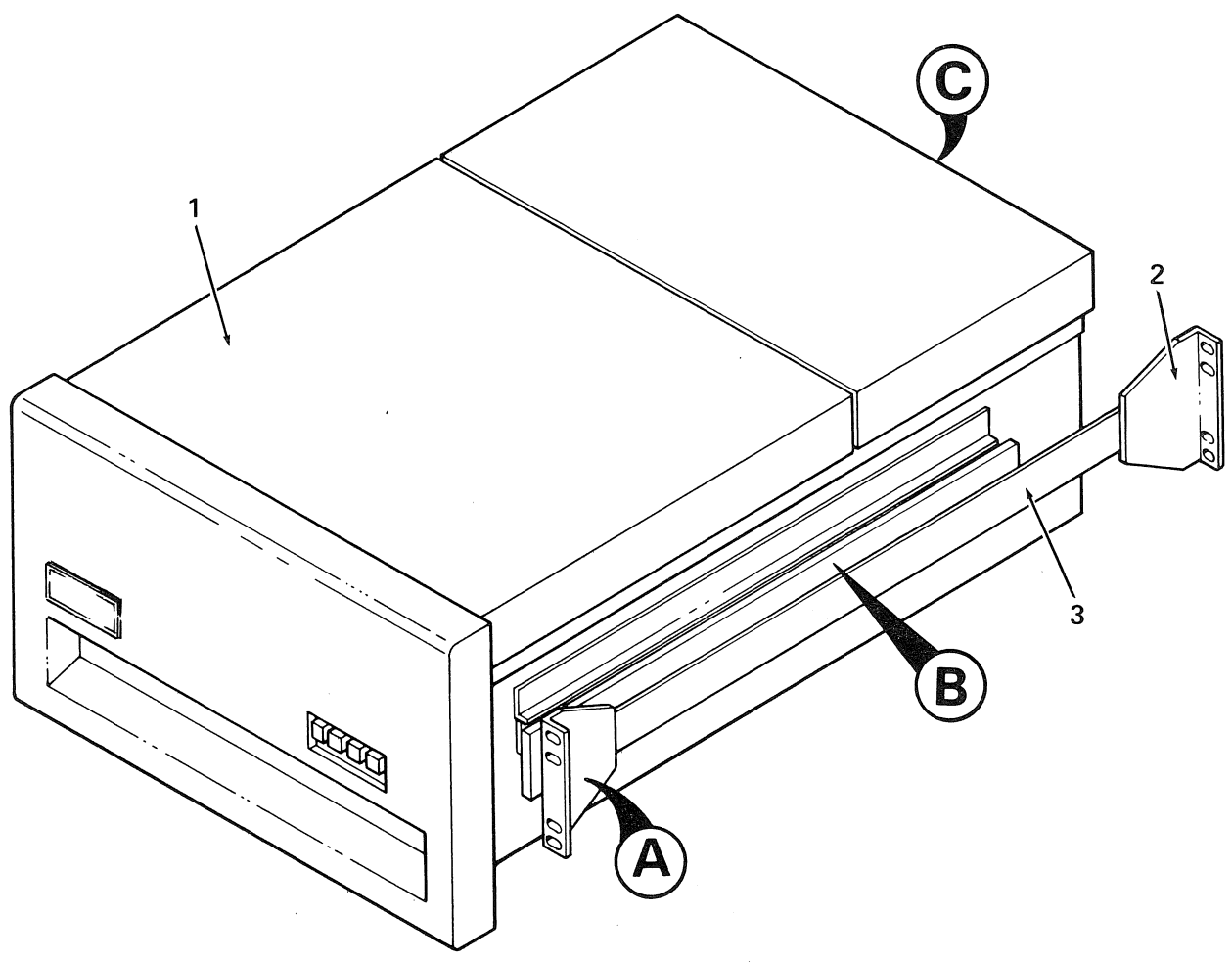
Figure 1. RL02-AK Disk Drive and Cartridge

FIG. & ITEM NO.	DESCRIPTION	DEC PART NO.	ECO CUT-IN RL02-FK 00003	USED ON CODE	REF FIG NO.
1A-	RL02 DISK DRIVE AND CARTRIDGE	RL02-FK			
1	*RL02-F DISK DRIVE AND MOUNTING HARDWARE	RL02-F			2A
2	*10 Megabyte Data Cartridge	RL02K-DC			



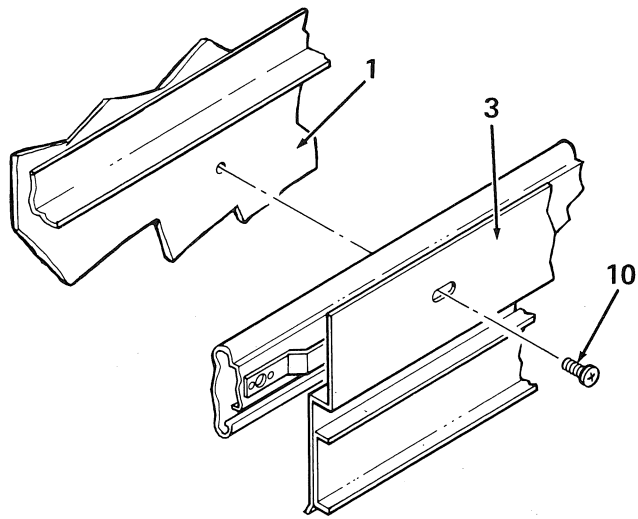
RL01-01

Figure 1A. RL02-FK Disk Drive and Cartridge



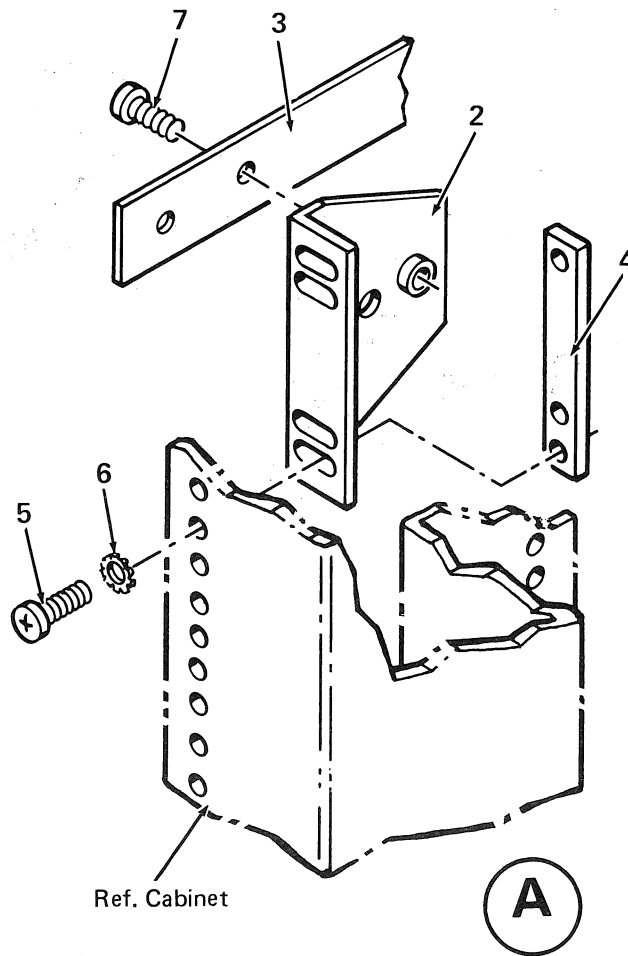
RL01-02

Figure 2. RL02-A Disk Drive and Hardware Kit (Sheet 1 of 3)



B

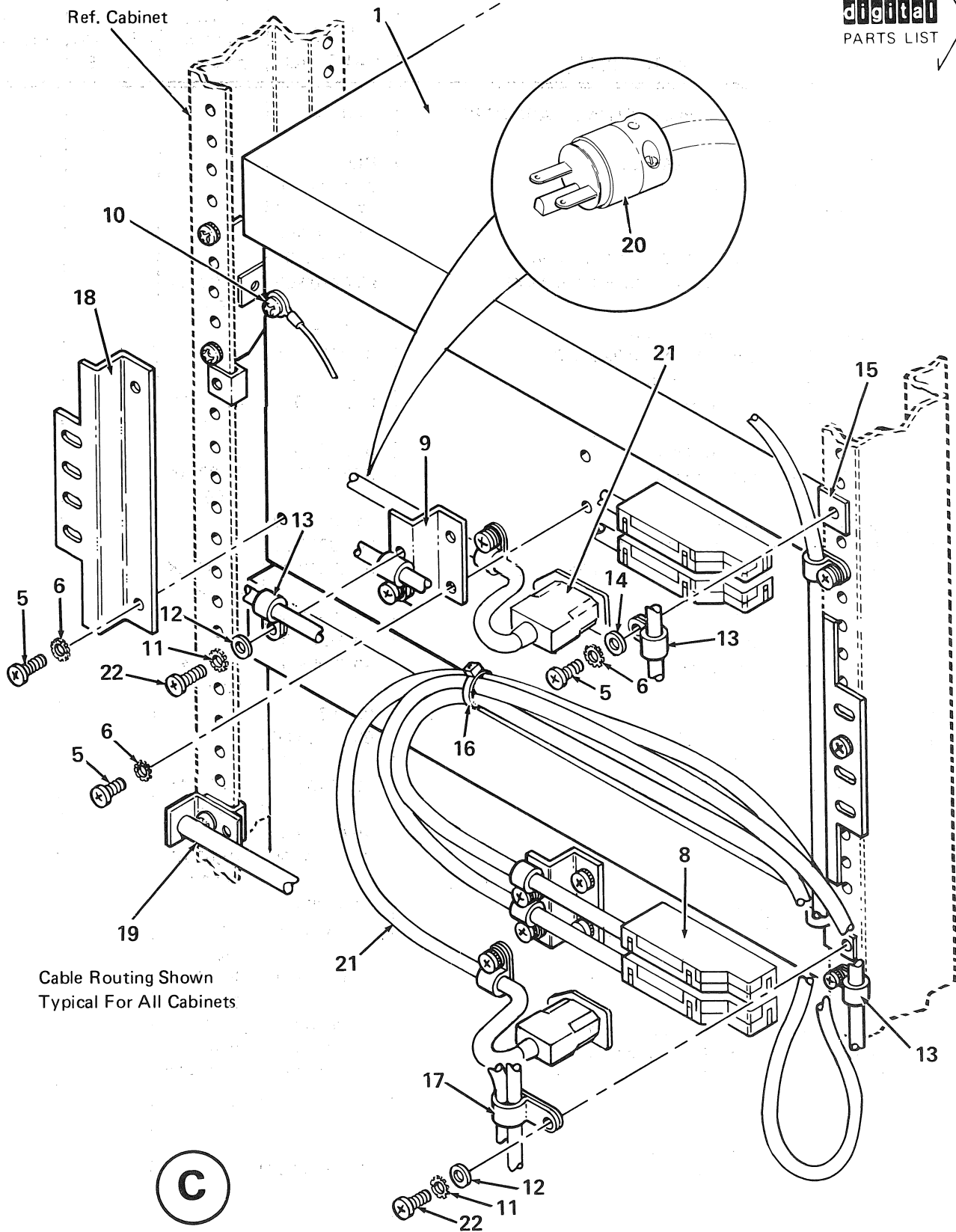
RL01-02B



A

RL01-02A

Figure 2. RL02-A Disk Drive and Hardware Kit (Sheet 2 of 3)



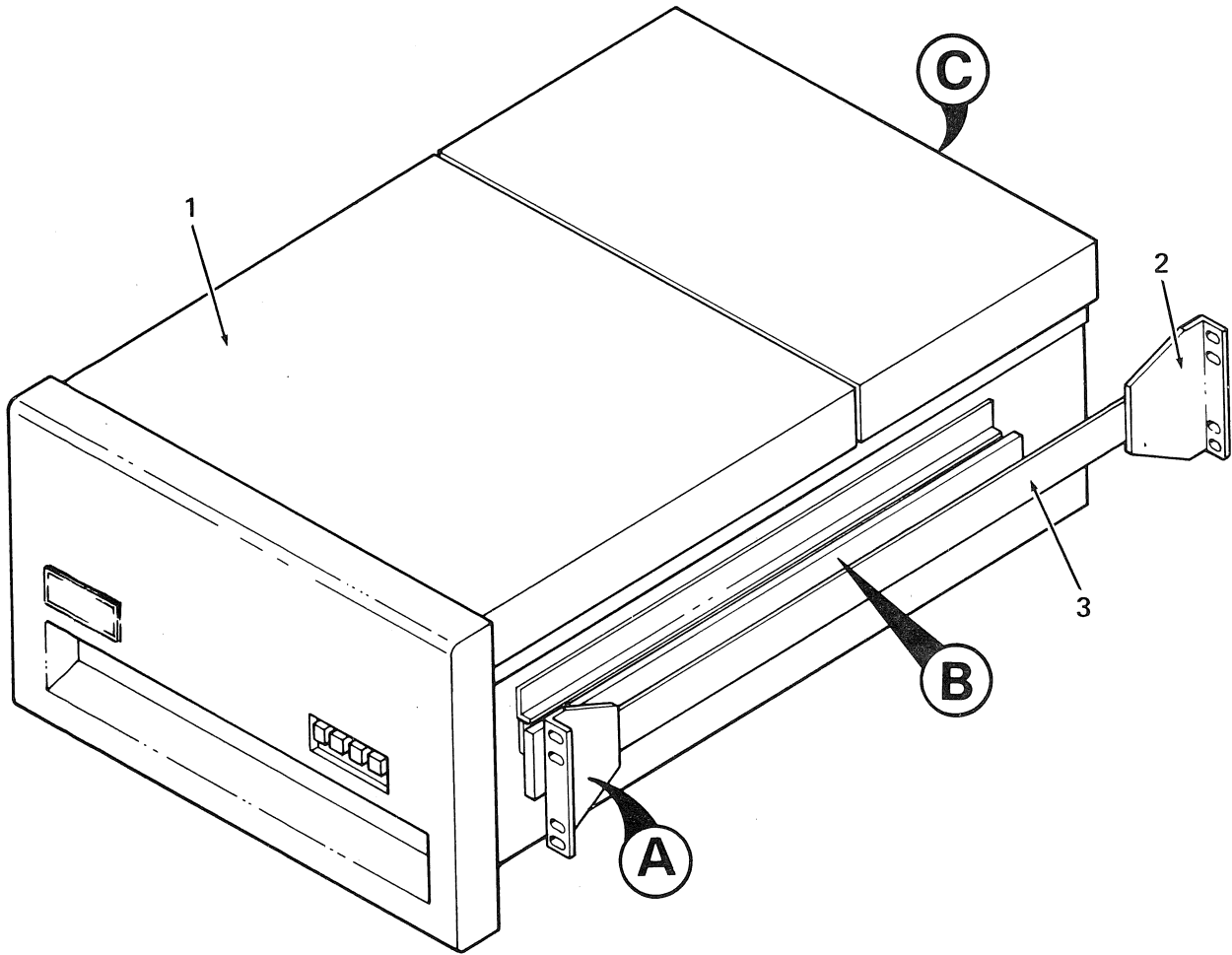
Cable Routing Shown
Typical For All Cabinets

C

RL01-02C

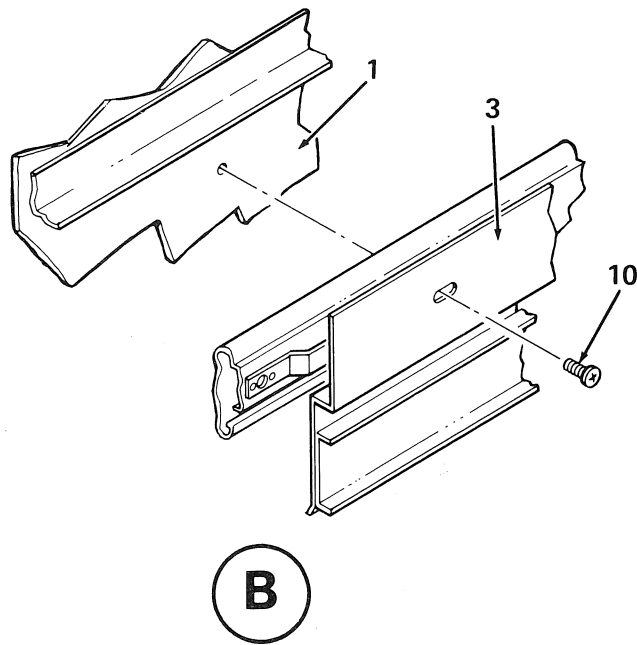
Figure 2. RL02-A Disk Drive and Hardware Kit (Sheet 3 of 3)

FIG. & ITEM NO.	DESCRIPTION	DEC PART NO.	ECO CUT-IN RL02-A 00000	USED ON CODE	REF FIG NO.
2-	RL02-A DISK DRIVE and MOUNTING HARDWARE KIT	RL02-A			1
1	*RL02 DISK DRIVE ASSEMBLY	RL02-00			3
2	*Bracket, Chassis Slide	74-19261-00			
3	*Chassis slide	12-13686-00			
4	*Bar Nut	74-19262-00			
5	*Screw, Phi Pan Hd No. 10-32 x 1/2 (deleted)	90-06073-01			
	*Screw, Sems Truss Hd No. 10-32 x 1/2 (added)	90-09700-00	RL02-AK 00005		
6	*Washer, External Tooth Lock No. 10	90-07651-00			
7	*Screw, Slotted Binder Hd No. 8-32 x 1/2	90-06039-04			
8	*I/O Cable Assembly (deleted)	70-12122-10			
	*I/O Cable Assembly (added)	BC21Z-10	RL02-AK 00002		
	*I/O Cable Assembly (deleted)	BC21Z-10			
	*I/O Cable Assembly (added)	BC21F-10	RL02-AK 00005		
9	*Bracket, Cable Support	74-19857-00			
10	*Screw, Phi Pan Hd No. 6-32 x 5/16	90-06021-01			
11	*Washer, External Tooth Lock No. 6 (deleted)	90-07649-00	RL02-AK 00005		
12	*Washer, Flat No. 6	90-06653-00			
13	*Cable Clamp (3/8) (deleted)	90-07083-00			
	*Cable Clamp (1/2) (added)	90-07085-00	RL02-AK 00005		
14	*Washer, Flat No. 10	90-06668-00			
15	*Nut, U-Shaped No. 10-32	90-07786-00			
16	*Cable Tie (deleted)	90-07031-00			
	*Cable Tie (added)	90-10152-00	RL02-AK 00005		
17	*Cable Clamp (3/4) (deleted)	90-07089-00			
	*Cable Clamp (1) (added)	90-07091-00	RL02-AK 00003		
18	*Bracket, Shipping	74-19856-00			
19	*CABLE RESTRAINT SYSTEM (added)	70-16785-00	RL02 00003		15
20	*Plug (220V) (deleted)	90-08853-00	RL02-AK 00001		
21	*Line Cord Assembly (60 Hz) (added)	17-00083-03	RL02-AK 00001		
	*Line Cord Assembly (50 Hz) (added)	17-00083-06	00001		
22	*Screw, Sems Phi Pan Hd No. 6-32 x 5/16	90-10155-00	RL02-AK 00005		
	LABELS (Not Shown)				
	*Label, "Electrical Data"	36-13209-03			

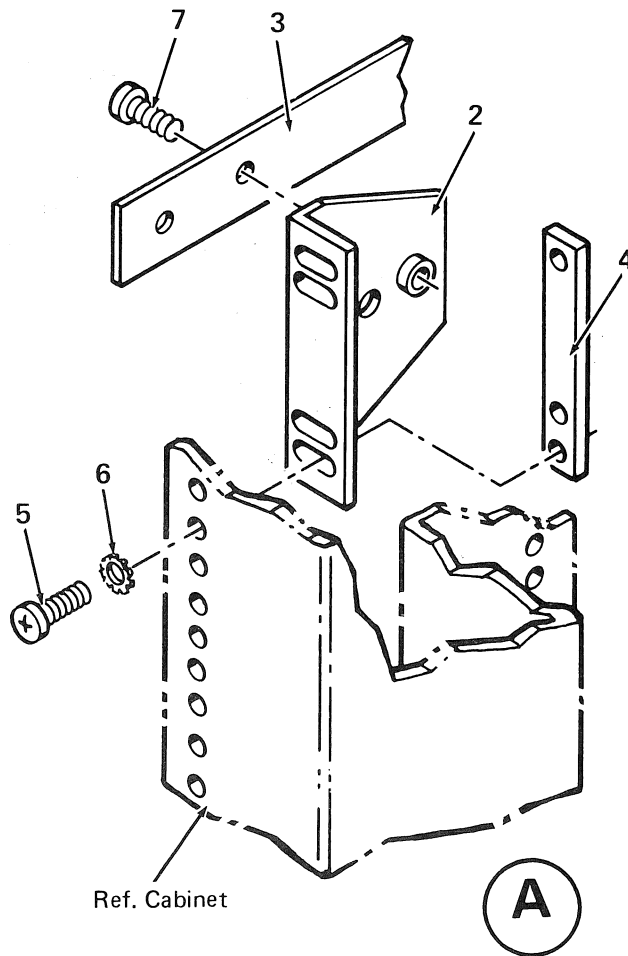


RL02A-02

Figure 2A. RL02-F Disk Drive and Hardware Kit (Sheet 1 of 3)

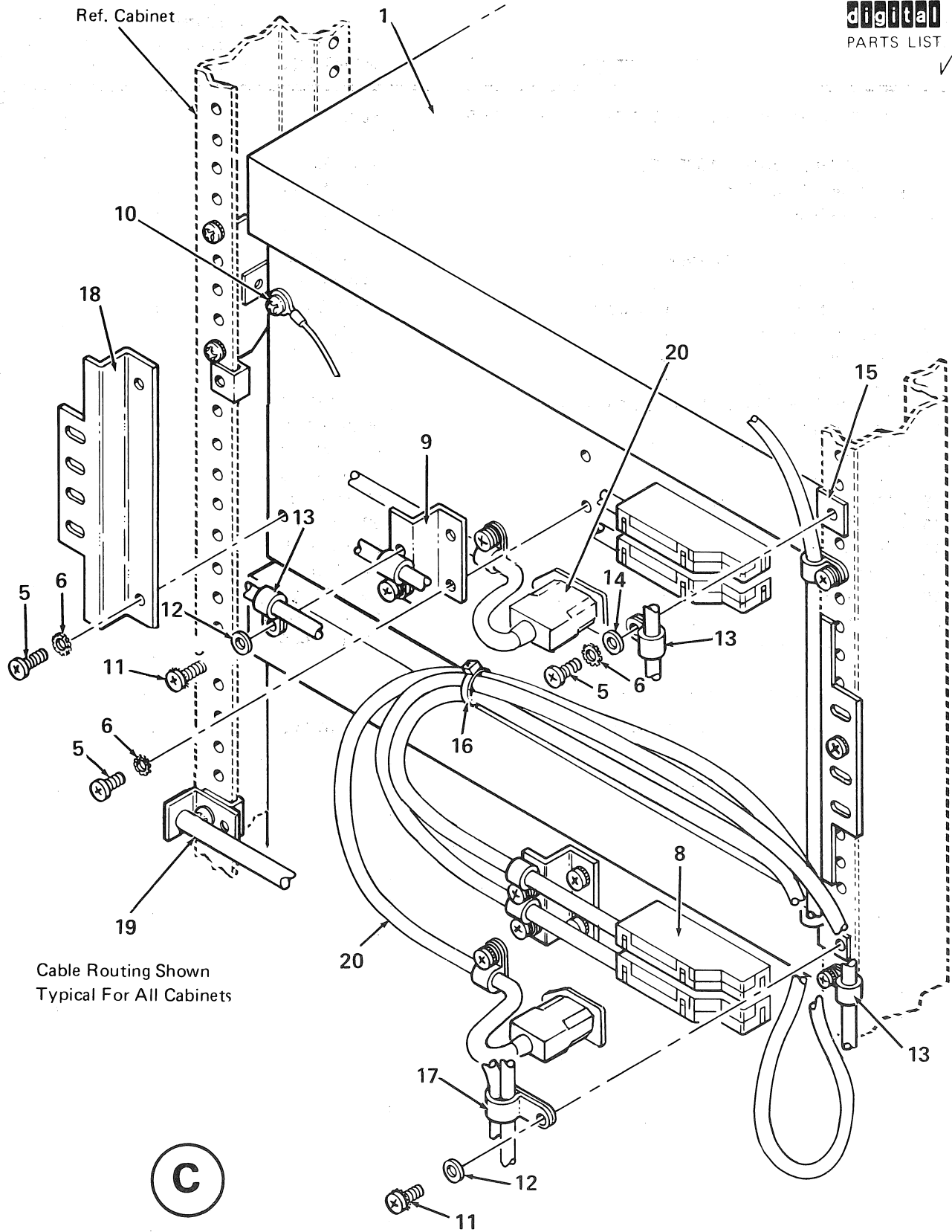


RL02A-02B



RL02A-02A

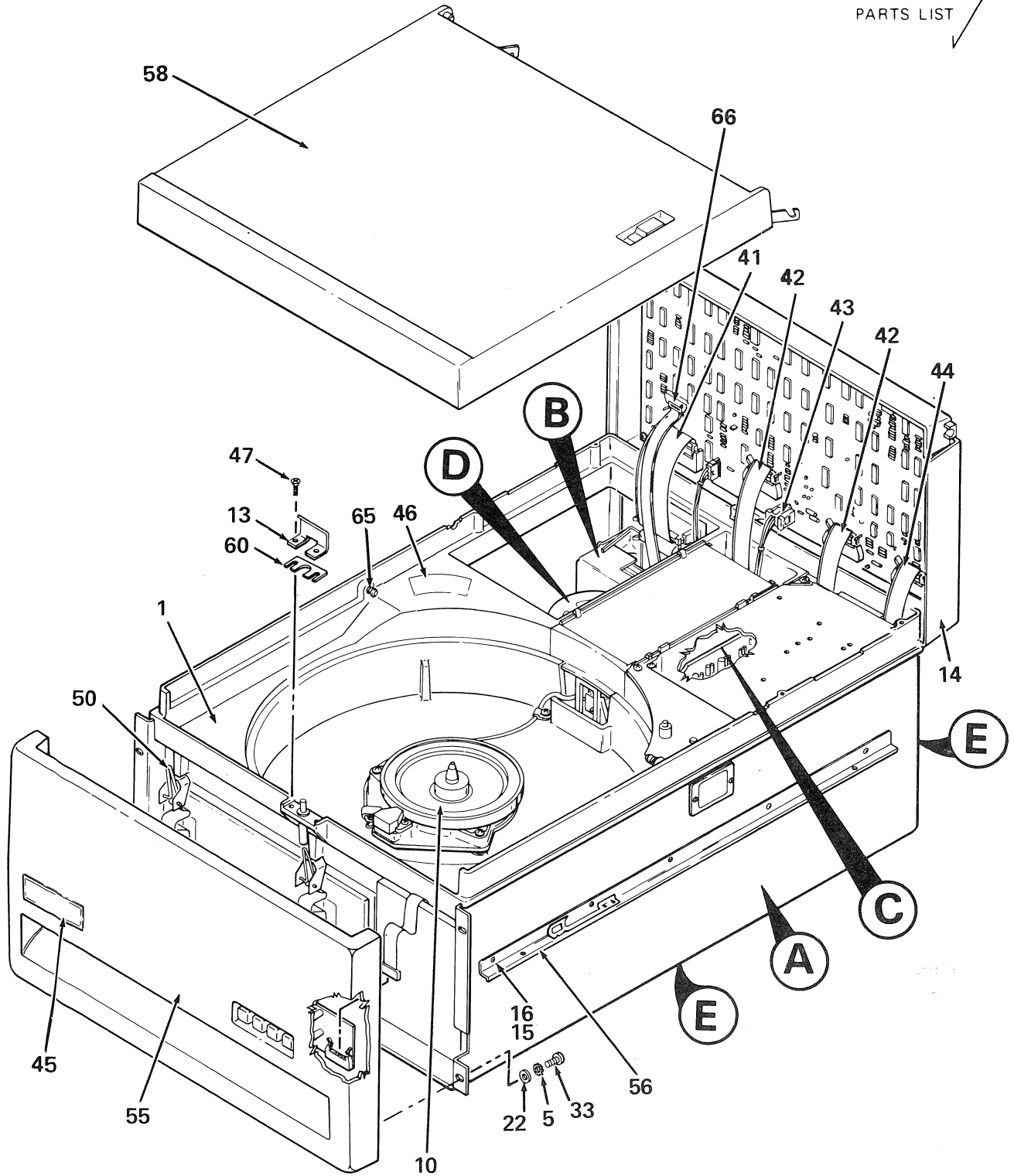
Figure 2A. RL02-F Disk Drive and Hardware Kit (Sheet 2 of 3)



RL02A-02C

Figure 2A. RL02-F Disk Drive and Hardware Kit (Sheet 3 of 3)

FIG. & ITEM NO.	DESCRIPTION	DEC PART NO.	ECO CUT-IN RL02-FK 00003	USED ON CODE	REF FIG NO.
2A-	RL02-F DISK DRIVE and MOUNTING HARDWARE KIT	RL02-F			1A
1	*RL02 DISK DRIVE ASSEMBLY	RL02-00			3
2	*Bracket, Chassis Slide	74-19261-00			
3	*Chassis Slide	12-13686-00			
4	*Bar Nut	74-19262-00			
5	*Screw, Sems Truss Phl Hd No. 10-32 x 1/2	90-09700-00			
6	*Washer, External Tooth Lock No. 10	90-07651-00			
7	*Screw, Slotted Binder Hd No. 8-32 x 1/2	90-06039-04			
8	*I/O Cable Assembly	BC21F-08			
9	*Bracket, Cable Support	74-19857-00			
10	*Screw, Phl Pan Hd No. 6-32 x 5/16	90-06021-01			
11	*Screw, Sems Phl Pan Hd No. 6-32 x 5/16	90-10155-00			
12	*Washer, Flat No. 6	90-06653-00			
13	*Cable Clamp (1/2)	90-07083-00			
14	*Washer, Flat No. 10	90-06668-00			
15	*Nut, U-Shaped No. 10-32	90-07786-00			
16	*Cable Tie	90-07031-00			
17	*Cable Clamp (3/4)	90-07089-00			
18	*Bracket, Shipping	74-19856-00			
19	*CABLE RESTRAINT SYSTEM (Not Shown)	70-16785-00			15
20	*Line Cord Assembly (60 Hz)	17-00083-03			
	*Line Cord Assembly (50 Hz)	17-00083-06			
	LABELS (Not Shown)				
	*Label, "Serial/Power W/O UL+CSA"	36-17674-06			



RL02-03

Figure 3. RL02 Disk Drive Assembly (Sheet 1 of 7)

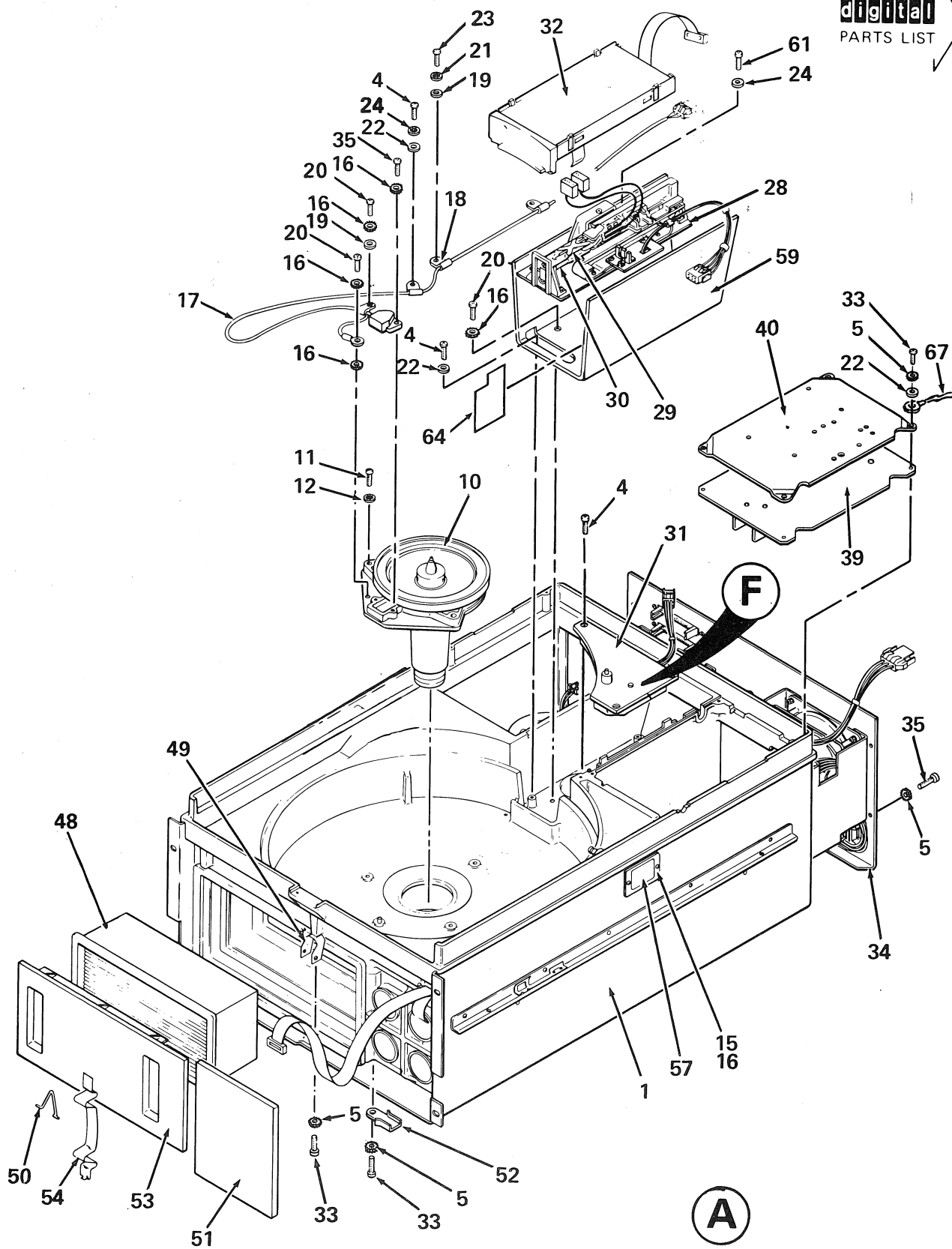
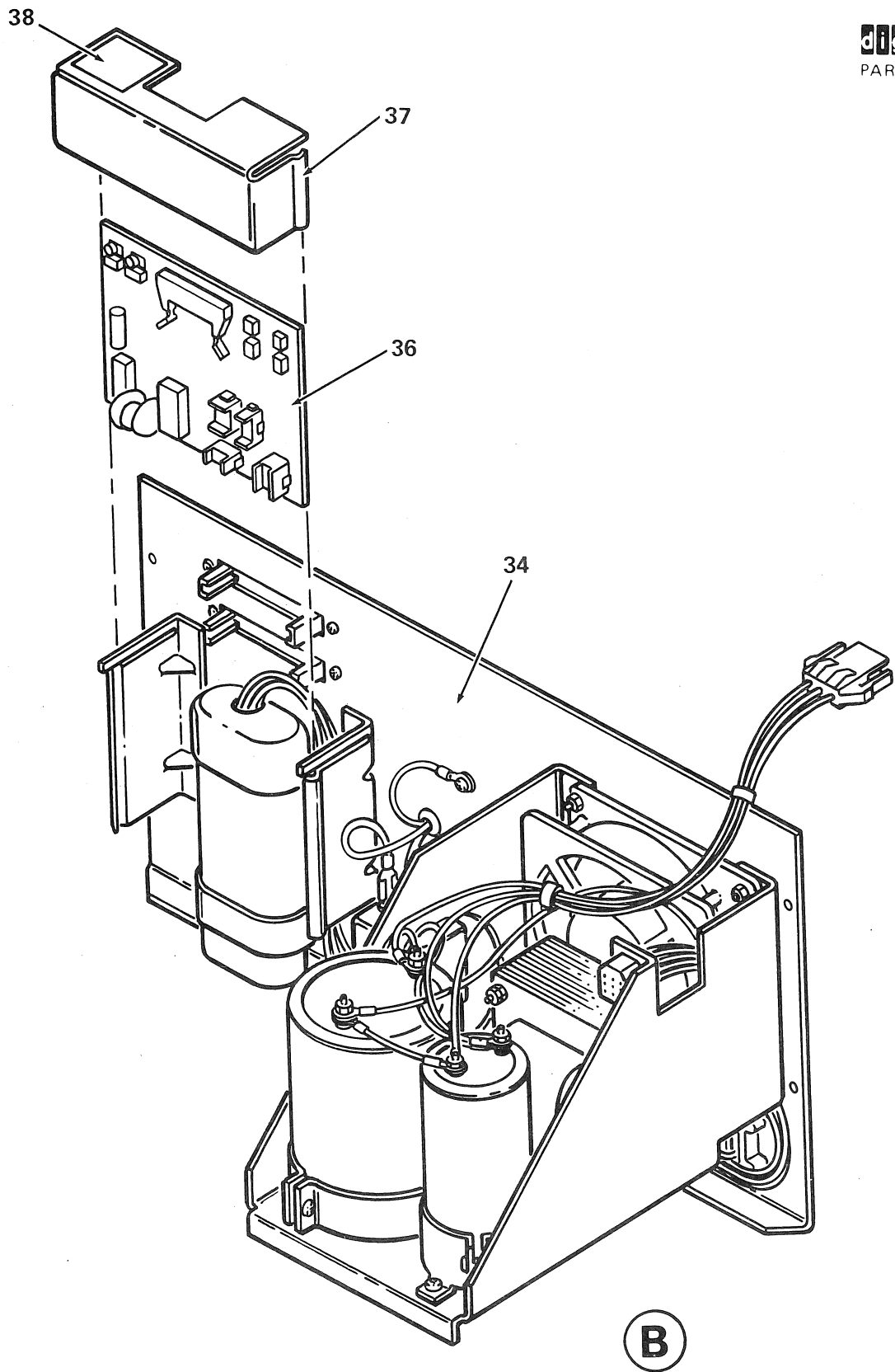


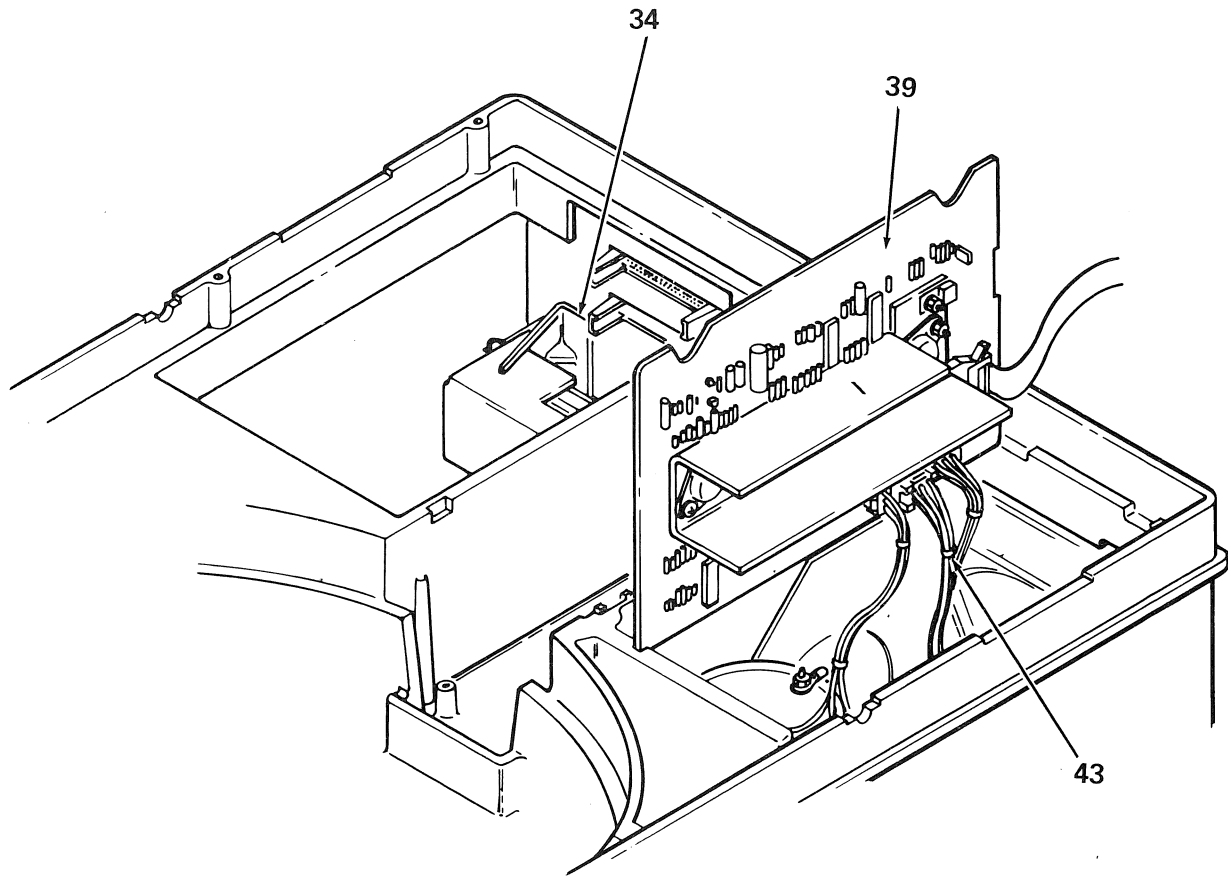
Figure 3. RL02 Disk Drive Assembly (Sheet 2 of 7)

RL01-03A



RL01-03B

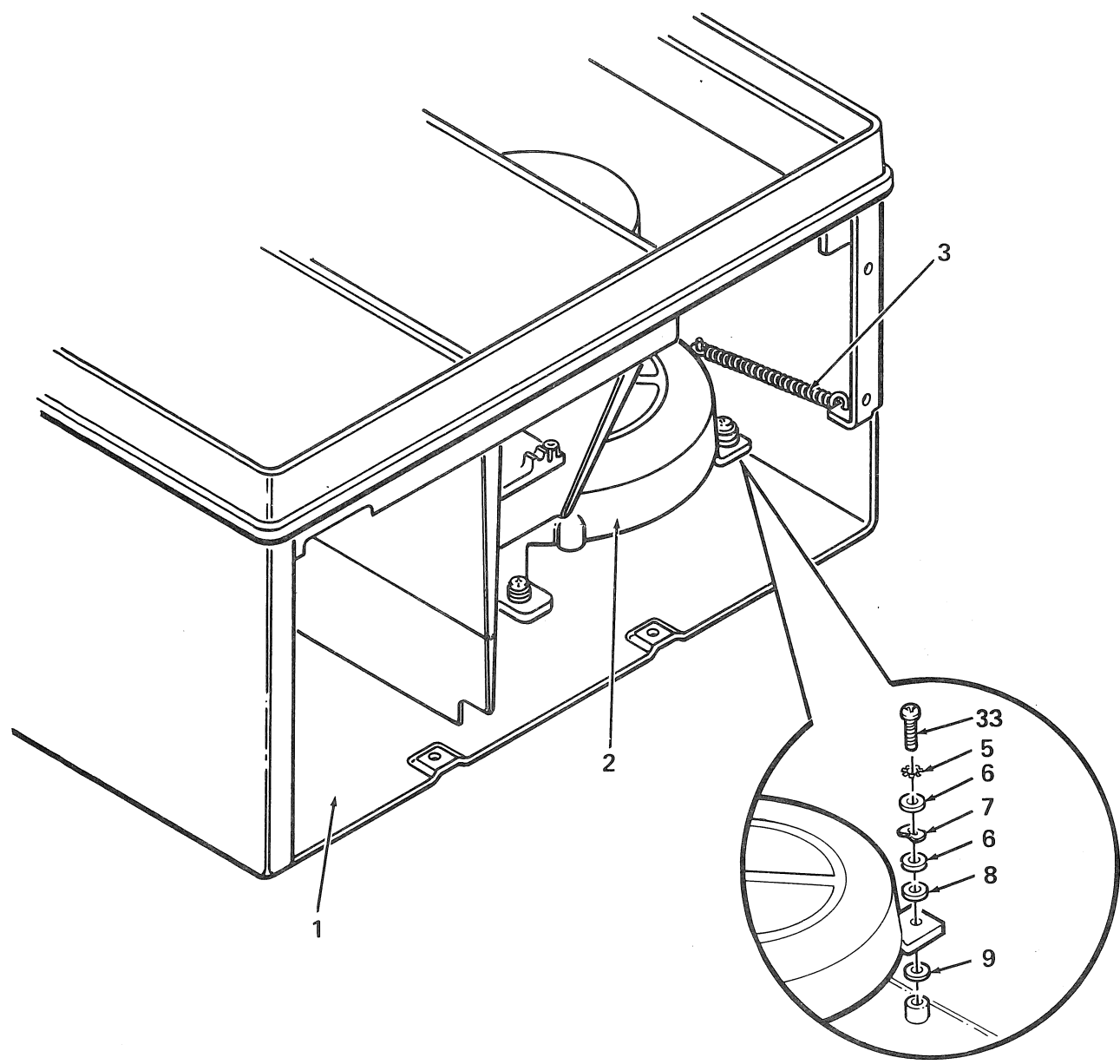
Figure 3. RL02 Disk Drive Assembly (Sheet 3 of 7)



©

RL01-03C

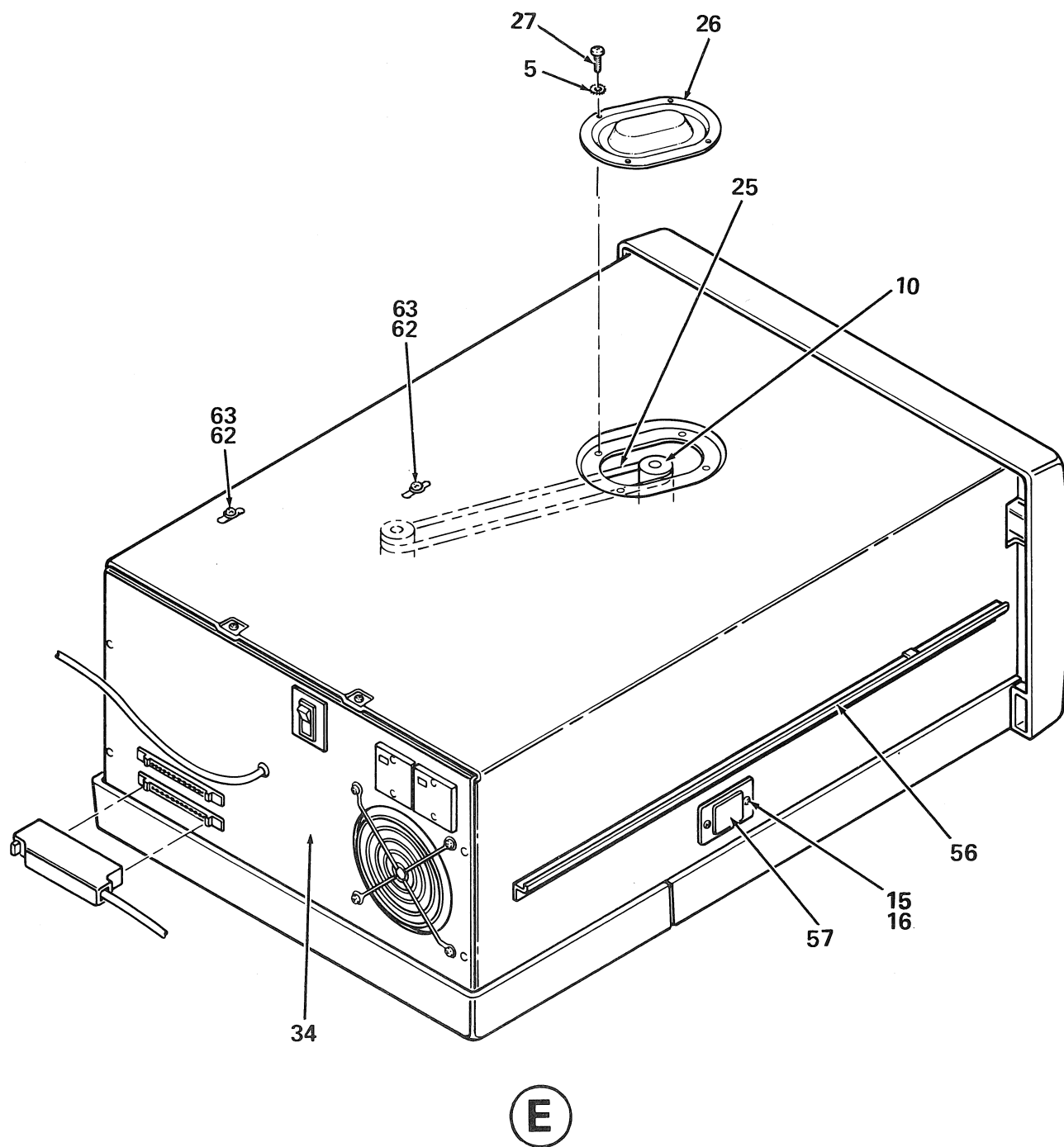
Figure 3. RL02 Disk Drive Assembly (Sheet 4 of 7)



D

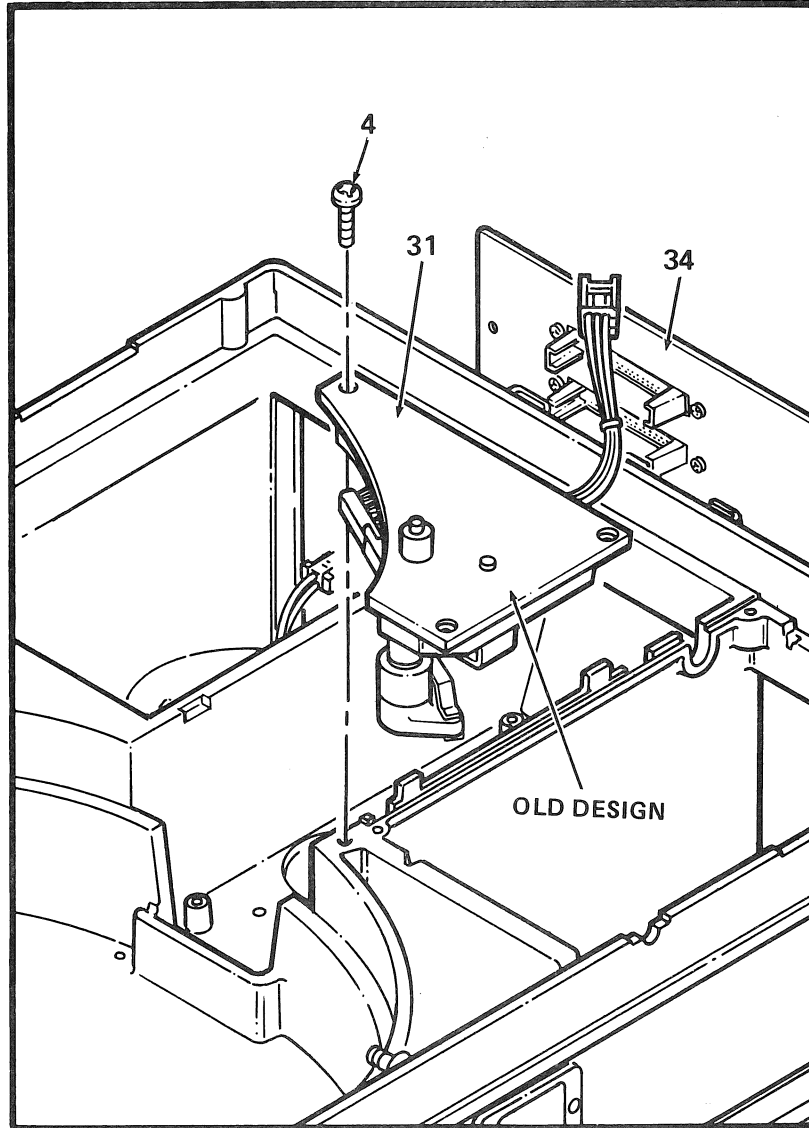
RL01-03D

Figure 3. RL02 Disk Drive Assembly (Sheet 5 of 7)



RL01-03E

Figure 3. RL02 Disk Drive Assembly (Sheet 6 of 7)



F

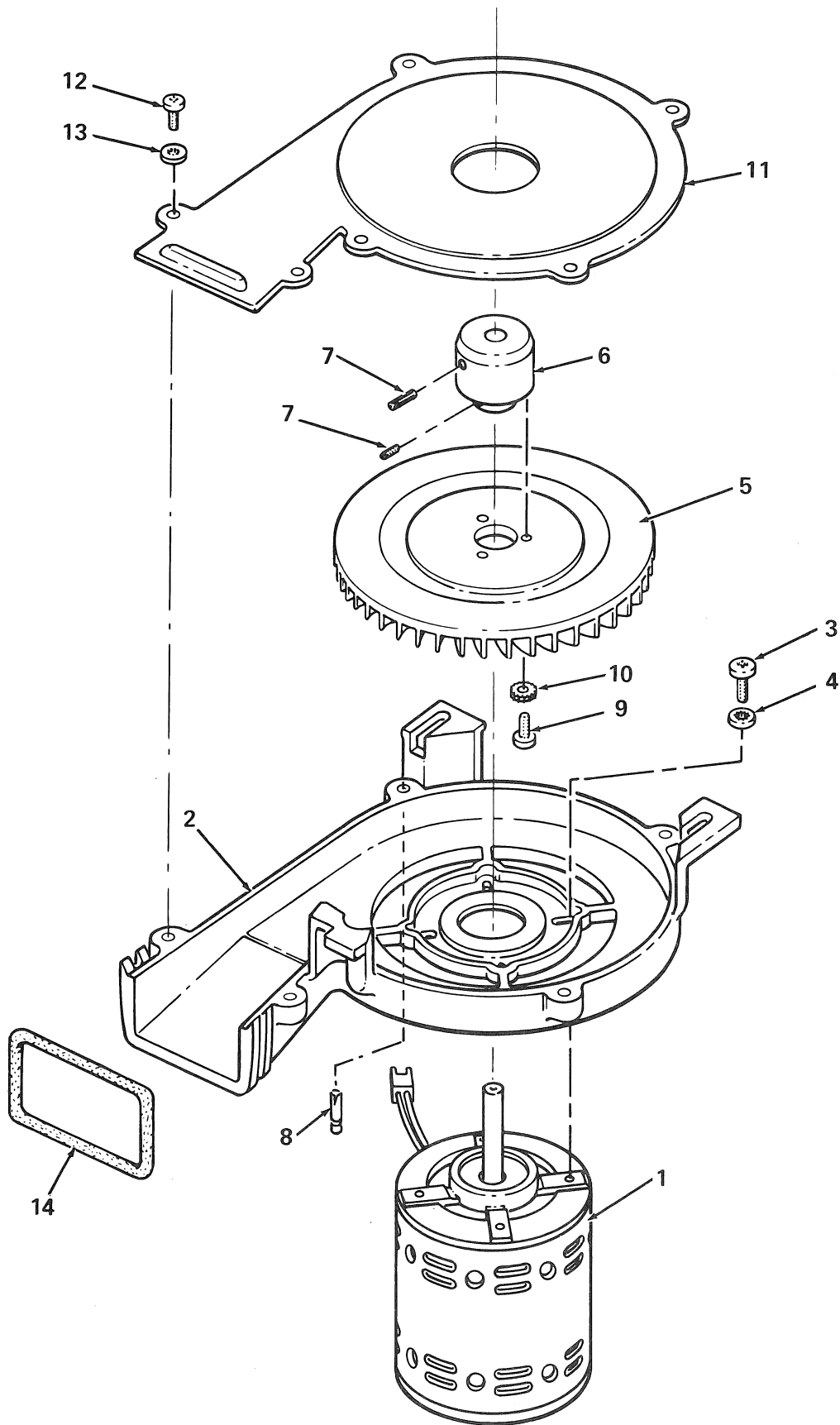
RL01-03F

Figure 3. RL02 Disk Drive Assembly (Sheet 7 of 7)

FIG. & ITEM NO.	DESCRIPTION	DEC PART NO.	ECO CUT-IN RL02 00000	USED ON CODE	REF FIG NO.
3-	RL02 DISK DRIVE ASSEMBLY	RL02-00			2
1	*Main Chassis Assembly	70-12116-00			
2	*DISK MOTOR ASSEMBLY	70-12114-00			4
3	*Spring, Extension	12-14330-00			
4	*Screw, Phi Pan Hd No. 8-32 x 3/8 (deleted)	90-06037-01			
	*Screw, Sems Phi Pan Hd No. 8-32 x 3/8 (added)	90-00049-27	00017		
5	*Washer, External Tooth Lock No. 8 (deleted)	90-08072-00	00017		
6	*Washer, Flat No. 8	12-14359-00			
7	*Washer, Wave Spring	90-09885-00			
8	*Washer, Flat	90-09974-00			
9	*Washer, Teflon	90-09884-00			
10	*Spindle Assembly	70-15116-00			
11	*Screw, Phi Pan Hd No. 10-32 x 15/16 (deleted)	90-08955-01			
	*Screw, Sems Phi Pan Hd No. 10-32 x 15/16 (added)	90-09282-00	00017		
12	*Washer, Int. Tooth Lock No. 10 (deleted)	90-06636-00	00017		
13	*Bracket, Latch	74-16865-00			
14	*REAR COVER ASSEMBLY	70-15125-00			11,11A
15	*Screw, Phi Pan Hd No. 6-32 x 5/16 (deleted)	90-06021-01	00017		
16	*Washer, External Tooth Lock No. 6 (deleted)	90-07649-00	00017		
17	*Transducer Assembly	70-12137-00			
18	*Cable Clamp	90-07079-00			
19	*Washer, Flat No. 6	90-06653-00			
20	*Screw, Phi Pan Hd No. 6-32 x 1/2 (deleted)	90-06024-01			
	*Screw, Sems Phi Pan Hd No. 6-32 x 5/16 (added)	90-00049-21	00017		
21	*Washer, Internal Tooth Lock No. 6	90-06634-00			
22	*Washer, Flat	90-06660-00			
23	*Screw, Phi Pan Hd No. 6-32 x 3/8 (deleted)	90-06022-01			
	*Screw, Sems Phi Pan Hd No. 6-32 x 3/8 (added)	90-00049-23	00017		
24	*Washer, Internal Tooth Lock No. 8 (deleted)	90-06633-00	00017		
25	*Belt, Disk Drive	12-13369-00			
26	*Hatch	74-17450-00			
27	*Screw, Phi Pan Hd No. 8-32 x 1/4 (deleted)	90-06035-01			
	*Screw, Sems Phi Pan Hd No. 8-32 x 1/4 (added)	90-00049-26	00017		
28	*Positioner Assembly	70-12117-00			
29	*Head Assembly (A Down)	70-15637-01			
30	*Head Assembly (A Up)	70-15637-00			
31	*BRUSH DRIVE ASSEMBLY (deleted) (Old Design)	70-12112-00			5
	*SWITCH COVER ASSEMBLY (added) (New Design)	70-16991-00	00013		5A
32	*READ/WRITE BOX ASSEMBLY	70-15124-00			6
33	*Screw, Phi Pan Hd No. 8-32 x 1/2 (deleted)	90-06039-01			
	*Screw, Sems Phi Pan Hd No. 8-32 x 3/8 (added)	90-00049-28	00017		
34	*POWER PANEL ASSEMBLY	70-12130-00			7

FIG. & ITEM NO.	DESCRIPTION	DEC PART NO.	ECO CUT-IN RL02 00000	USED ON CODE	REF FIG NO.
3-					
35	*Screw, Phi Pan Hd No. 8-32 x 7/16 (deleted)	90-06038-01			
	*Screw, Sems Phi Pan Hd No. 6-32 x 1/2 (added)	90-10174-03	00017		
36	*AC Servo Module	54-11848-00			
37	*Cover, AC Servo	74-15303-00			
38	*Label, Adhesive Backed (deleted)	36-14783-00	00017		
	*Label, "Caution" (added)	36-20191-01	00022		
39	*Servo, Power Module	54-13534-00			
40	*Cover, Servo Board	74-20826-00			
41	*INTERCONNECT CABLE ASSEMBLY (deleted)	70-14262-00			10
	*Interconnect Cable Assembly (added)	70-12139-0M	00017		
42	*Interconnect Cable	70-12139-0F			
43	*D.C. POWER HARNESS ASSEMBLY	70-12140-00			8
44	*Interconnect Cable	70-12107-3D			
45	*Label, RL02 Rub-On	36-15393-05			
46	*Label, Caution (deleted)	36-16643-00	00012		
47	*Screw, Flat Hd No. 8-32 x 3/8	90-09759-00			
48	*Air Filter	12-13097-00			
49	*Bracket, Plenum	74-17454-00			
50	*Latch, Plenum	74-17455-00			
51	*Pad, Filter	74-15297-00			
52	*Retainer, Cable	74-16335-00			
53	*Cover, Plenum	74-15094-00			
54	*Spring, Plenum Cover	74-15101-00			
55	*BEZEL ASSEMBLY	70-12111-00			12
56	*Rail, Slide Mounting	12-12686-01			
57	*Access Cover Assembly (deleted)	70-12128-00	00015		
58	*FRONT COVER ASSEMBLY	70-12115-00			14
59	*Shield, Positioner	74-20068-00			
60	*Shim, Latch .01 in. Thk	74-20084-00			
	*Shim, Latch .02 in. Thk	74-20084-01			
61	*Screw, Phi Pan Hd No. 8-32 x 5/8 (deleted)	90-06040-01			
	*Screw, Phi Truss Hd No. 8-32 x 1/2 (added)	90-00049-05	00017		
62	*Screw, Phi Pan Hd No. 8-32 x 3/8 (added)	90-06418-01	00004		
63	*Washer, Internal Tooth Lock No. 8 (added)	90-09023-00	00004		
64	*Insulator, Head Cable (added)	74-22834-00	00002		
65	*Guide, Hinge Bracket (added)	74-21977-00	00016		
66	*Interconnect Cable Assembly (added)	70-12123-00	00017		
67	*Ground, Chassis, Top Cover Latch (added)	70-22280-01	00025		
	LABEL/DECALS (Not Shown)				
	*Decal, "U.L."	74-16197-02			
	*Decal, "CSA"	36-13211-01			
	*Decal, Adh Backed, "Electrical Data"	36-13209-03			
	*Label, "RL02 Cartridge Caution"	36-15687-00			
	*Label, "FCC, Class A, Peripheral" (added)	36-17880-03	00023		





RL02-04

Figure 4. Disk Motor Assembly

FIG. & ITEM NO.	DESCRIPTION	DEC PART NO.	ECO CUT-IN RL01 00027	USED ON CODE	REF FIG NO.
4-	DISK MOTOR ASSEMBLY	70-12114-00			3
1	*MOTOR, 115V	12-13186-00			
2	*Housing, Blower	70-15222-00			
3	*Screw, Phl Pan Hd No. 10-32 x 7/16	90-06072-01			
4	*Washer, Internal Tooth Lock No. 10	90-06635-00			
5	*Impeller	74-15221-00			
6	*Pulley, Motor	74-15097-00			
7	*Screw, Set No. 8-32 x 1/4 (deleted)	90-08397-10			
	*Screw, Set Nylock No. 8-32 x 1/4 (added)	90-09778-00	70-12114 00004		
	*Screw, Set Nylock No. 8-32 x 1/4 (deleted)	90-09778-00	70-12114 00005		
8	*Pin, Grooved	90-09992-00			
9	*Screw, Phl Pan Hd No. 8-32 x 3/8	90-06037-01			
10	*Washer, External Tooth Lock No. 8	90-08072-00			
11	*Cover, Housing	74-17452-00			
12	*Screw, Self Tapping, Phl Pan Hd No. 6-32 x 1/4 (deleted)	90-08408-01			
	*Screw, Phl Pan Hd No. 6-32 x 1/4 (added)	90-09905-00	70-12114 00004		
13	*Washer, Internal Tooth Lock No. 6	90-06633-00			
14	*Gasket, Blower	74-15231-00			

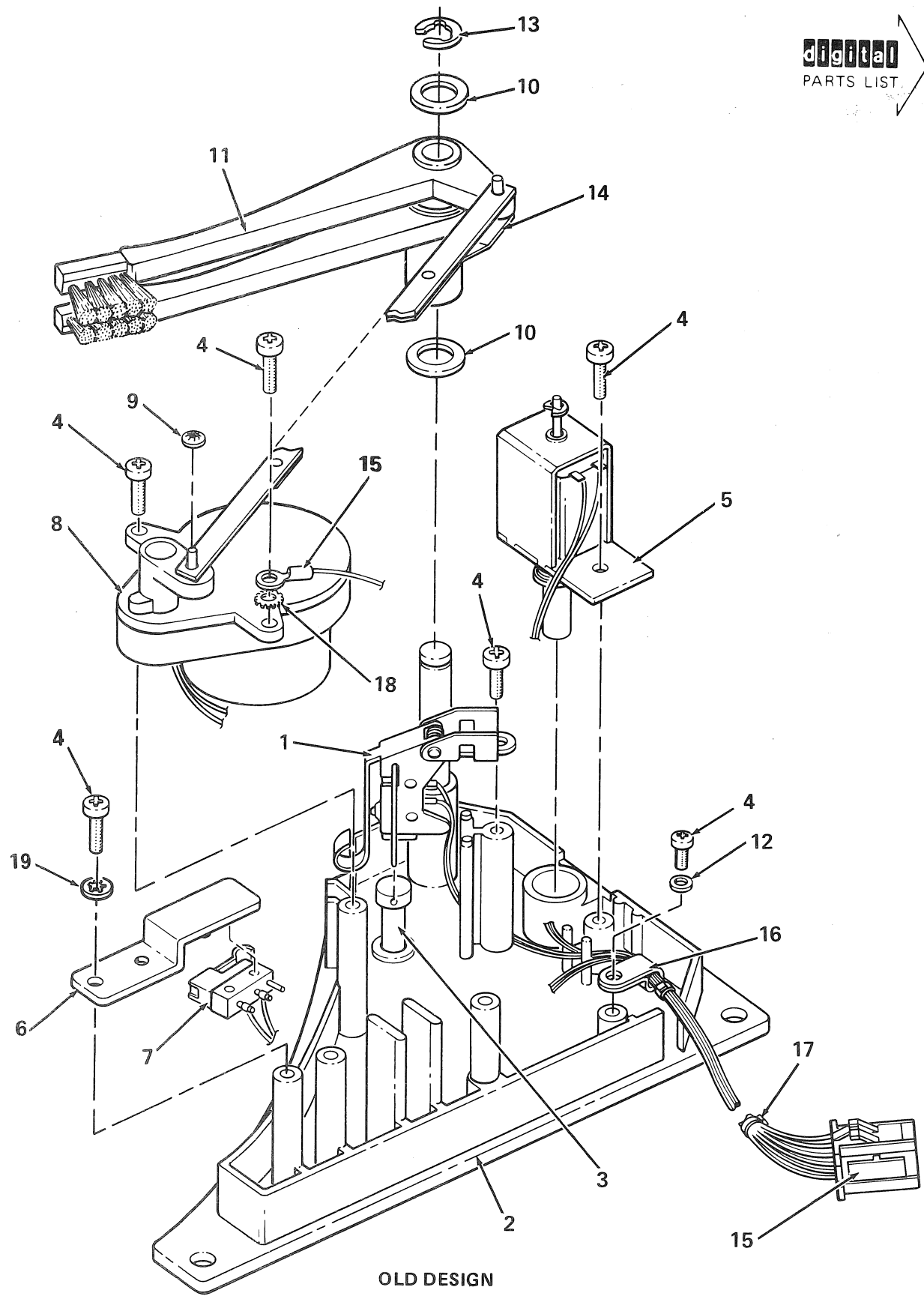
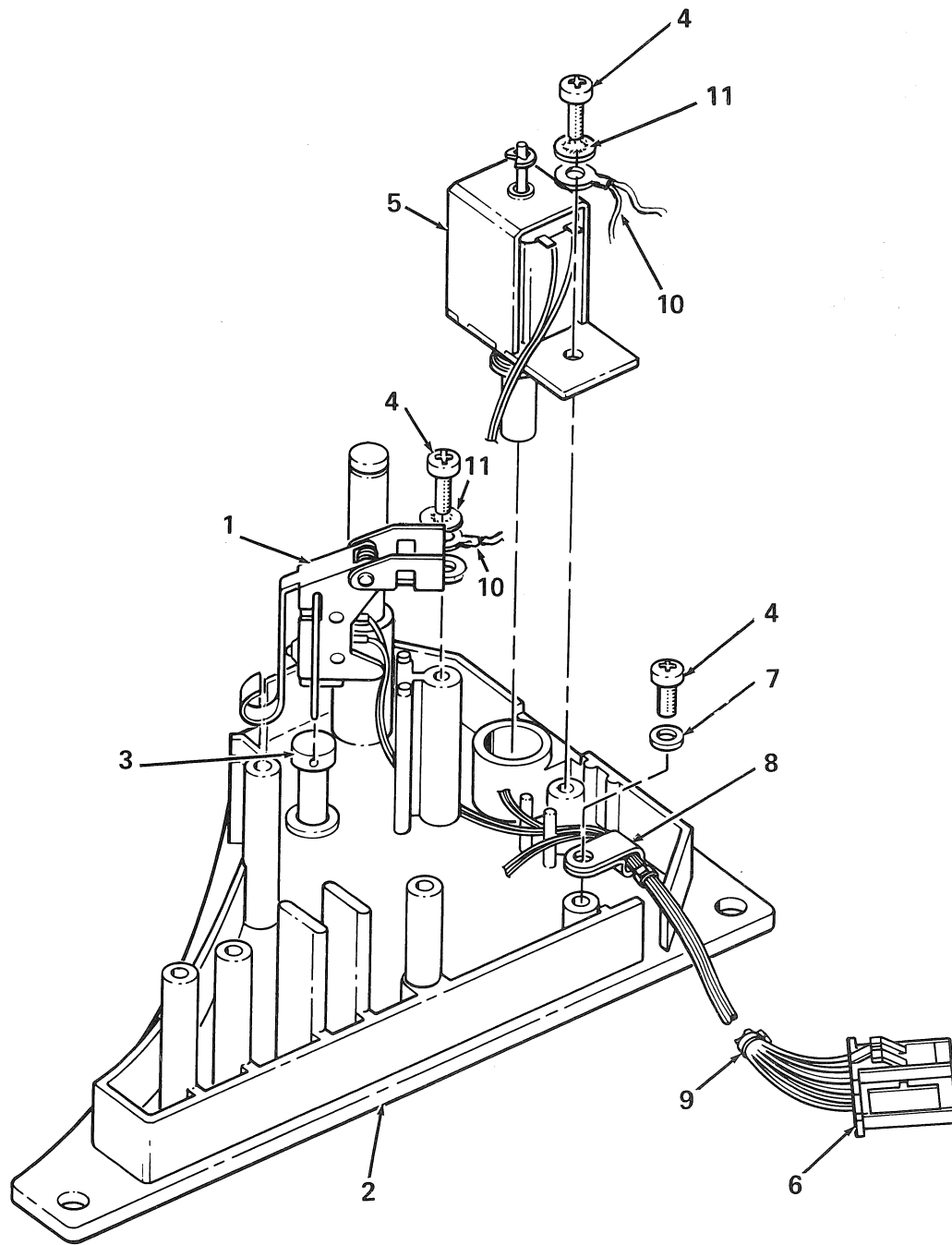


Figure 5. Brush Drive Assembly

RL01-05

FIG. & ITEM NO.	DESCRIPTION	DEC PART NO.	ECO CUT-IN 70-12112 00004	USED ON CODE	REF FIG NO.
5-	BRUSH DRIVE ASSEMBLY (deleted) (Old Design) (See Figure 5A)	70-12112-00	RL02 00013		3
1	*Cartridge Sense Switch Assembly	70-12132-00			
2	*Cover, Brush Drive	74-15224-00			
3	*Plunger, Cartridge Sense	74-16858-00			
4	*Screw, Self Tap No. 6 x .38	90-09800-06			
5	*Solenoid, Cover Lock	12-13204-00			
6	*Bracket, Switch	74-15229-00			
7	*Switch	12-14011-00			
8	*Motor Crank Assembly	70-14261-00			
9	*Pushnut Fastner	90-09865-00			
10	*Washer	90-09868-00			
11	*Brush and Holder Assembly	70-16726-00			
12	*Washer, Flat No. 6	90-06653-00			
13	*Retainer	90-09866-00			
14	*Brush Drive Link Assembly	74-18589-00			
15	*Brush Drive Harness Assembly	70-12126-00			
16	*Cable Clamp	90-07081-00			
17	*Tie Wrap	90-07031-00			
18	*Washer, External Tooth Lock No. 6	90-07649-00			
19	*Washer, Internal Tooth Lock No. 6 (added)	90-06633-00	00005		

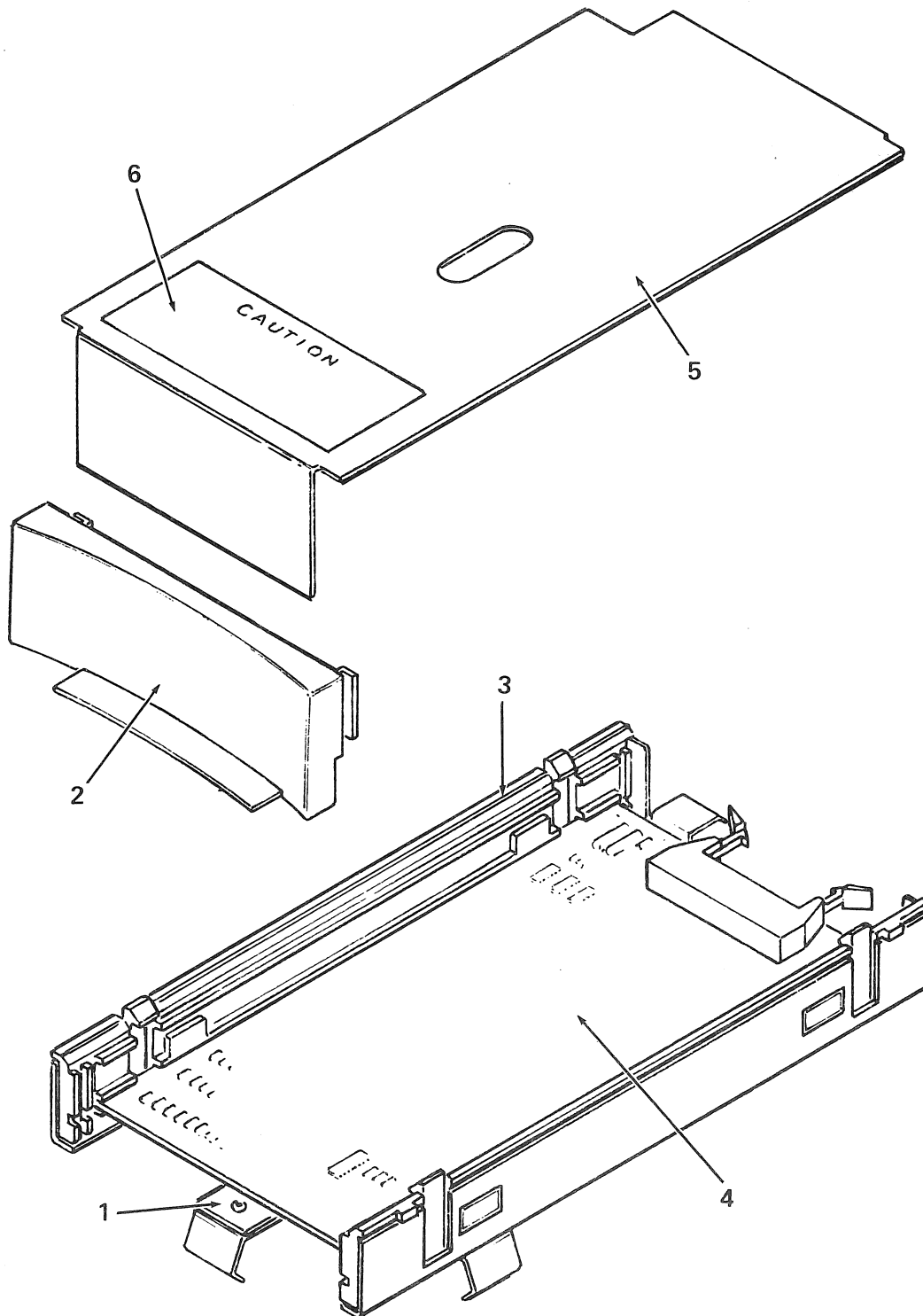


NEW DESIGN

RL01-05A

Figure 5A. Switch Cover Assembly

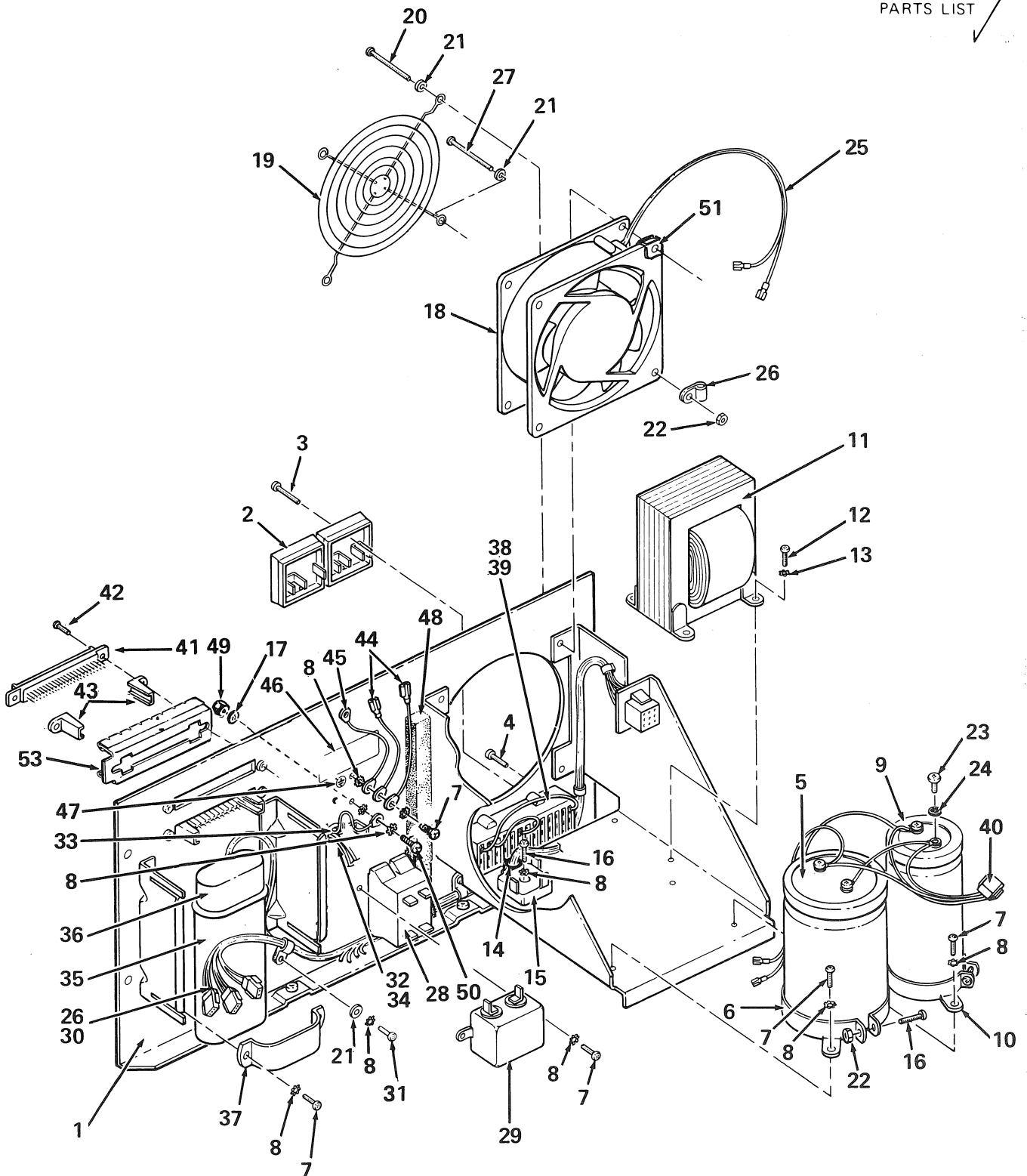
FIG. & ITEM NO.	DESCRIPTION	DEC PART NO.	ECO CUT-IN RL01 00048	USED ON CODE	REF FIG NO.
5A-	SWITCH COVER ASSEMBLY (added) (New Design)	70-16991-00	00048		3
1	* Cartridge Sense Switch Assembly	70-12132-00			
2	* Cover, Switch	74-15224-00			
3	* Plunger, Cartridge Sense	74-16858-00			
4	* Screw, Phl Pan Hd No. 6-32 x 3/8	90-09800-06			
5	* Solenoid, Cover Lock	12-13204-00			
6	* Cover Switch Harness Assembly	70-17333-00			
7	* Washer, Flat 3/8 O.D. x 5/32	90-06553-00			
8	* Cable Clamp	90-07081-00			
9	* Cable Tie	90-07031-00			
10	* Ground, Solenoid/Cartridge Switch (added)	70-22278-01	RL02 00025		
11	* Washer, Lock, Int. Tooth (added)	90-06633-00	RL02 00025		



RL01-06

Figure 6. Read/Write Box Assembly

FIG. & ITEM NO.	DESCRIPTION	DEC PART NO.	ECO CUT-IN RL01 00049	USED ON CODE	REF FIG NO.
6-	READ/WRITE BOX ASSEMBLY	70-15124-00			3
1	*Pan Assembly, Read/Write Box	74-18594-00			
2	*Front, R/W Box	74-16329-00			
3	*Guide, R/W Box	74-16330-00			
4	*RL02 Read/Write Module Assembly	54-13536-00			
5	*Cover, R/W Box	74-15084-00			
6	*Label, Adhesive Backed	36-14782-00			



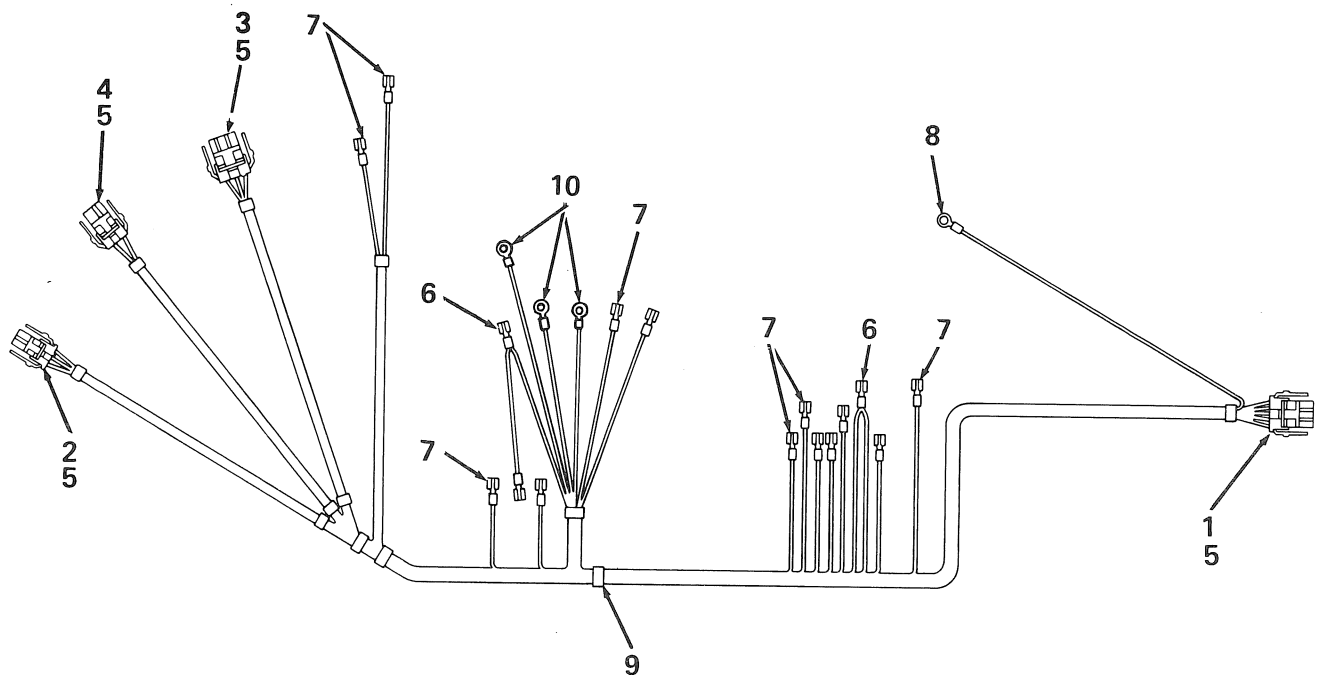
RL01-07

Figure 7. Power Panel Assembly

FIG. & ITEM NO.	DESCRIPTION	AA DEC PART NO.	ECO CUT-IN 70-12130 00009	USED ON CODE	REF FIG NO.
7-	POWER PANEL ASSEMBLY	70-12130-00			3
1	* Chassis, Power Supply	74-16326-00			
2	* Terminal Block Assembly	70-12127-00			
3	* Screw, Plastite No. 6 x .38	90-09800-06			
4	* Screw, Plastite No. 6 x .875	90-09800-01			
5	* Capacitor, 66,000 MFD 30V	10-13530-00			
6	* Bracket, Capacitor	12-10431-00			
7	* Screw, Phi Pan Hd No. 6-32 x 1/4	90-06020-01			
8	* Washer, External Tooth No. 6	90-07649-00			
9	* Capacitor, 20,000 MFD 40V	10-13531-00			
10	* Bracket, Capacitor	12-10430-00			
11	* Transformer	16-13897-00			
12	* Screw, Phi Pan Hd No. 8-32 x 5/16	90-06036-01			
13	* Washer, Internal Tooth Lock No. 10	90-06633-00			
14	* Grommet	90-07016-00			
15	* Diode Assembly	11-10051-00			
16	* Screw, Phi Pan Hd No. 6-32 x 7/16	90-06023-01			
17	* Washer, Internal Tooth Lock No. 6	90-06633-00			
18	* Fan (deleted)	12-09304-01			
	* Fan (added)	12-09403-06	RL02 00016		
19	* Grill, Fan	12-10263-00			
20	* Screw, Phi Pan Hd No. 6-32 x 7/8	90-06027-01			
21	* Washer, Flat No. 6	90-06653-00			
22	* Nut, Kep No. 6-32	90-06560-00			
23	* Screw, Phi Pan Hd No. 10-32 x 1/4	90-06070-01			
24	* Washer, Internal Tooth Lock No. 10	90-06635-00			
25	* Cable, Fan	70-12110-00			
26	* Cable Clamp	90-07082-00			
27	* Screw, Phi Pan Hd No. 6-32 x 1.00 (deleted)	90-06028-01	RL02 00016		
28	* Circuit Breaker	12-16827-00			
29	* RFI Filter (deleted)	12-15360-00			
	* RFI Filter (added)	12-18468-00	RL02 00016		
30	* POWER PANEL HARNESS ASSEMBLY	70-12108-00			8
31	* Screw, Phi Pan Hd No. 6-32 x 5/16	90-06021-01			
32	* Line Cord (deleted)	70-12109-00	RL02 00016		
33	* Strain Relief (deleted)	90-09768-01	RL02 00016		
34	* Label, Line Cord	36-11448-00			

FIG. & ITEM NO.	DESCRIPTION	DEC PART NO.	ECO CUT-IN 70-12130 00009	USED ON CODE	REF FIG NO.
7-					
35	*Motor Capacitor	10-13102-00			
36	*Insulated Motor Cap	12-13683-00			
37	*Bracket, Motor Capacitor	12-13156-01			
38	*Cable, Terminal Board Interconnect	70-12125-0B			
39	*Cable, Terminal Board Interconnect	70-12125-0E			
40	*POWER HARNESS	70-12142-00			9
41	*Receptacle	12-11591-35			
42	*Screw, Phl Pan Hd No. 4-40 x 1/4	90-08301-01			
43	*Guide, Receptacle	12-11591-38			
44	*Ground Harness (added)	70-17608-00	RL02 00010		
45	*Ground Harness (added)	70-17609-00	RL02 00010		
46	*Label, Power Supply (added)	90-09255-00	RL02 00012		
47	*Decal, Ground (added)	36-12680-00	RL02 00012		
48	*Tape, Foam, 1/2 W x 1/4 Thk (added)	90-09059-01	RL02 00016		
49	*Nut, Hex 6-32 x 1/4 (added)	90-08957-01	RL02 00016		
50	*Screw, Phl Pan Hd, No. 6-32 x 5/8 (added)	90-06025-01	RL02 00016		
51	*Clip, Fan Mounting (added)	90-09165-00	RL02 00016		
52	*Terminal, Ring #1 Position, Insulated (added)	90-07929-00	RL02 00016		
53	*Receptacle, Cable, 40-Pin (added)	70-20527-01	RL02 00023		
	Power Cord (Not Shown)				
	*Cord, Power, 3-14 SJT, 60 Hz (added)	17-00083-03	RL02 00016		

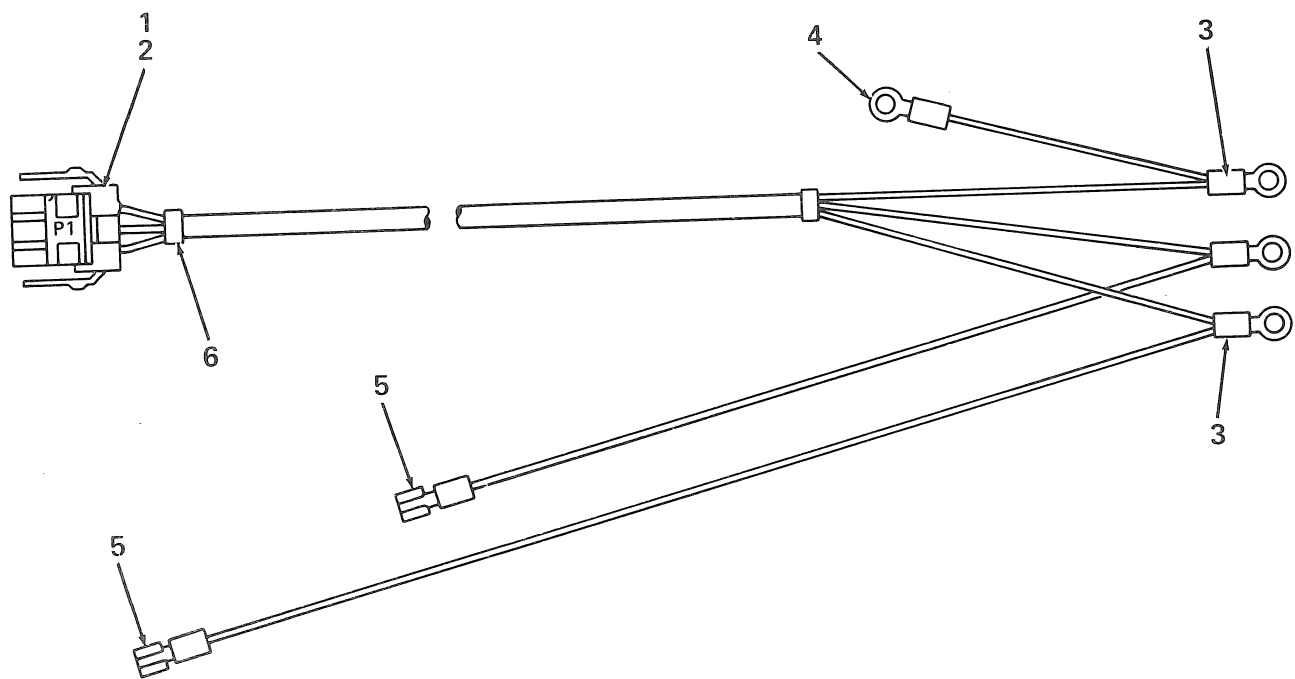
FIG. & ITEM NO.	DESCRIPTION	DEC PART NO.	ECO CUT-IN 70-12108 00002	USED ON CODE	REF FIG NO.
8-	POWER PANEL HARNESS ASSEMBLY	70-12108-00			7
1	*Connector, (J15) Housing 9 Pin Mate-N-Lok	12-13923-04			
2	*Connector, (P4) Housing 6 Pin Mate-N-Lok	12-13923-03			
3	*Connector, (P3) Housing 3 Pin Mate-N-Lok	12-13923-01			
4	*Connector, (P2) Housing 2 Pin Mate-N-Lok	12-13923-00			
5	*Terminal, Female Socket (J15,P2,P3,P4) (deleted)	12-13927-00			
	*Terminal, Female Socket (J15,P2,P3,P4) (added)	12-13927-02	00004		
6	*Terminal, Quick Disconnect	90-07969-00			
7	*Terminal, Quick Disconnect	90-07970-00			
8	*Terminal, Ring No. 10	90-07930-00			
9	*Tie Wrap	90-07031-00			
10	*Terminal, Ring (added)	90-07929-00	00003		



RL01-08

Figure 8. Power Panel Harness Assembly

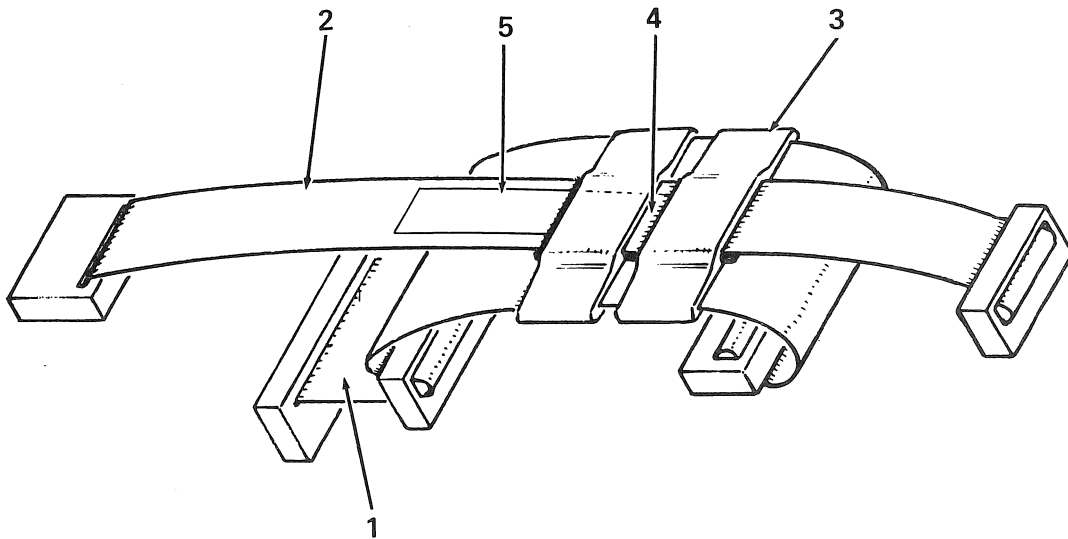
FIG. & ITEM NO.	DESCRIPTION	DEC PART NO.	ECO CUT-IN 70-12142 00000	USED ON CODE	REF FIG NO.
9-	POWER HARNESS (deleted)	70-12142-00	RL02 00016		7
1	*Connector, (P1) Housing 3 Pin Mate-N-Lok	12-13923-01			
2	*Terminal, (P1) Socket	12-13927-00			
3	*Terminal, Ring No. 10 (Blue)	90-07928-00			
4	*Terminal, Ring No. 10 (Red)	90-07930-00			
5	*Terminal, Quick Disconnect	90-07970-00			
6	*Tie Wrap	90-07031-00			



RL01-09

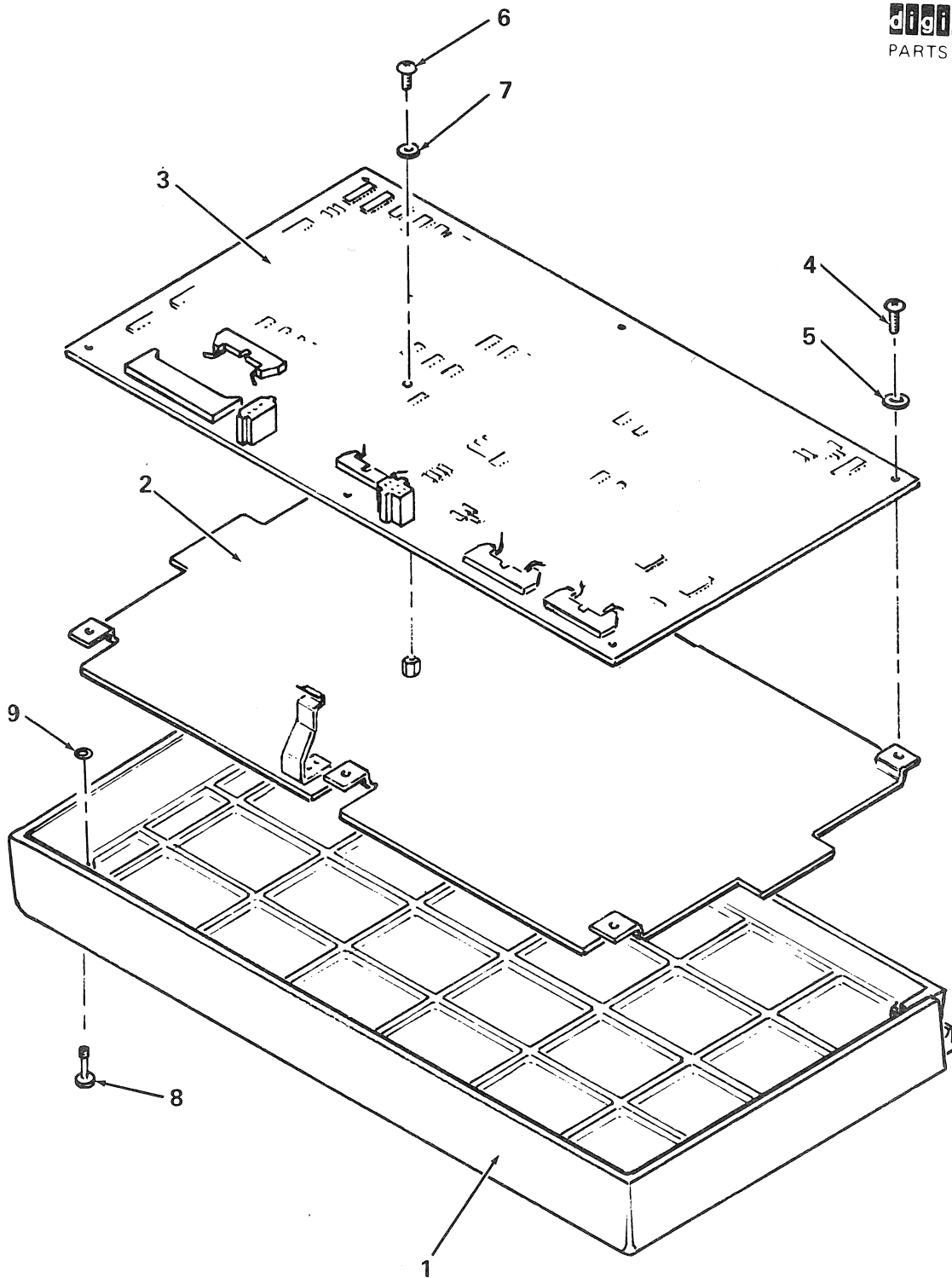
Figure 9. Power Harness

FIG. & ITEM NO.	DESCRIPTION	DEC PART NO.	ECO CUT-IN 70-14262 00000	USED ON CODE	REF FIG NO.
10-	INTERCONNECT CABLE ASSEMBLY (deleted)	70-14262-00	RL02 00016		3
1	*Logic Interconnect Cable	70-12123-0H			
2	*Interconnect Cable	70-12139-0M			
3	*Tape, Vinyl	90-09507-00			
4	*Foam Tape	90-08881-00			
5	*Label, Paper Form Feed (added)	36-15710-00	00002		



RL01-10

Figure 10. Interconnect Cable Assembly

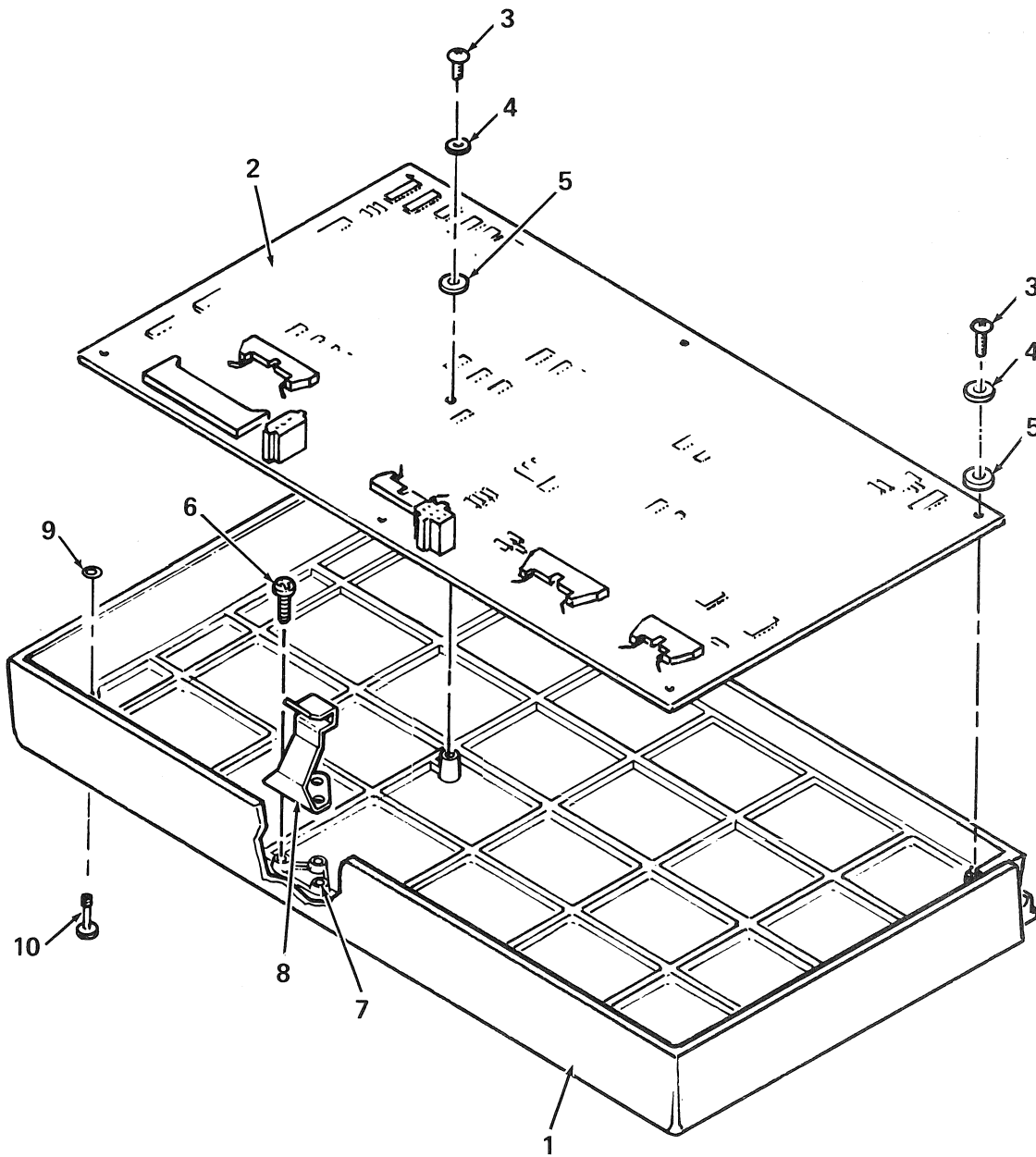


OLD DESIGN

RL02-11

Figure 11. Rear Cover Assembly

FIG. & ITEM NO.	DESCRIPTION	DEC PART NO. ^B	ECO CUT-IN 70-15125 00000	USED ON CODE	REF FIG NO.
11-	REAR COVER ASSEMBLY (Old Design) (See Figure 11A for Latest Design)	70-15125-00			3
1	*Cover, Rear	74-16847-00			
2	*Shield, Cover	74-17449-00			
3	*Drive Logic Module	54-14025-00			
4	*Screw, Phl Pan Hd Self Tapping No. 8 x .38	90-09800-04			
5	*Washer, Flat No. 8	90-06660-00			
6	*Screw, Phl Pan Hd No. 6-32 x .38	90-06022-01			
7	*Washer, Flat Nylon No. 6	90-06707-00			
8	*Screw, Captive	12-13818-00			
9	**"O" Ring	90-09316-00			



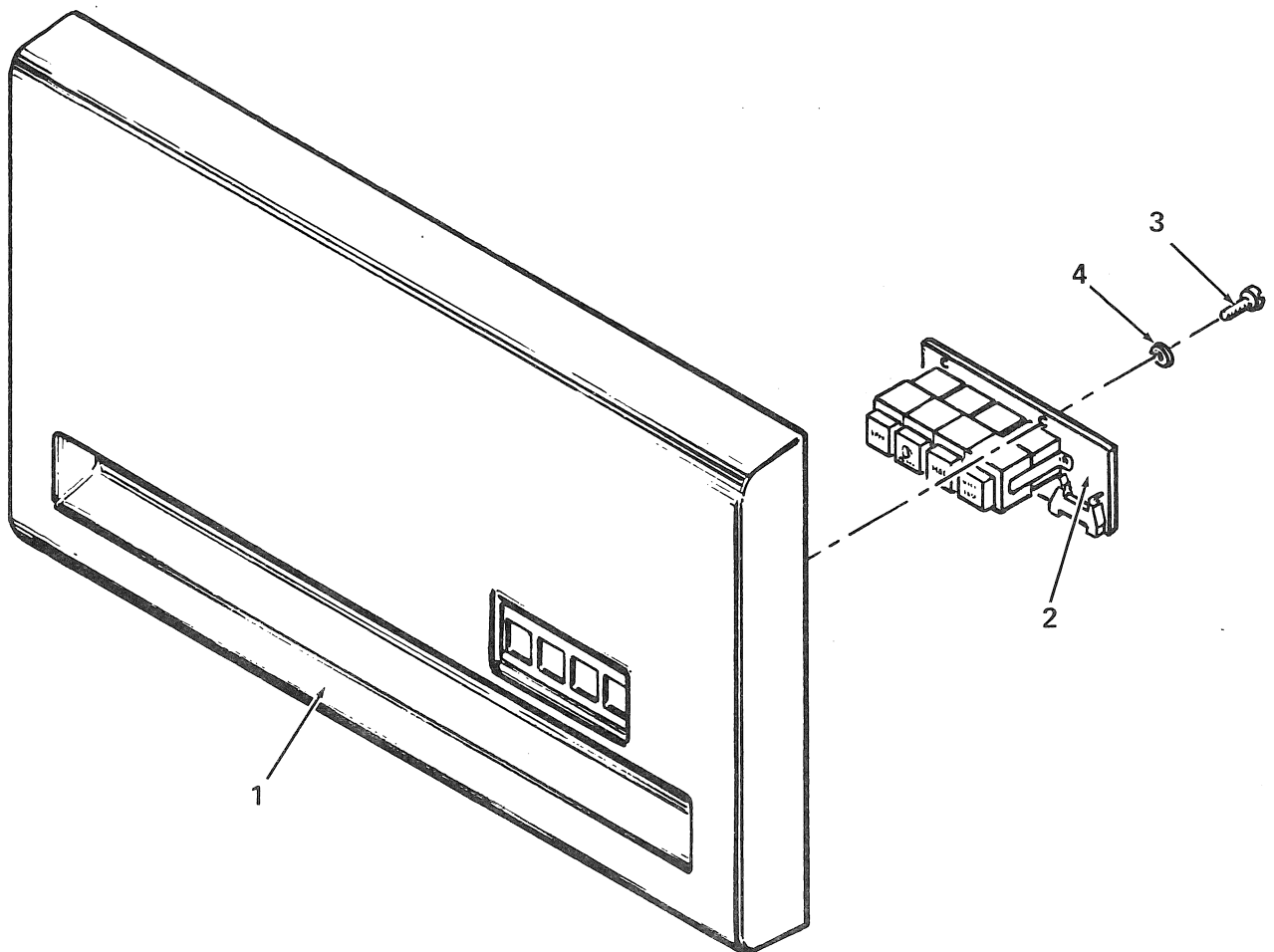
NEW DESIGN

RL01-11A

Figure 11A. Rear Cover Assembly

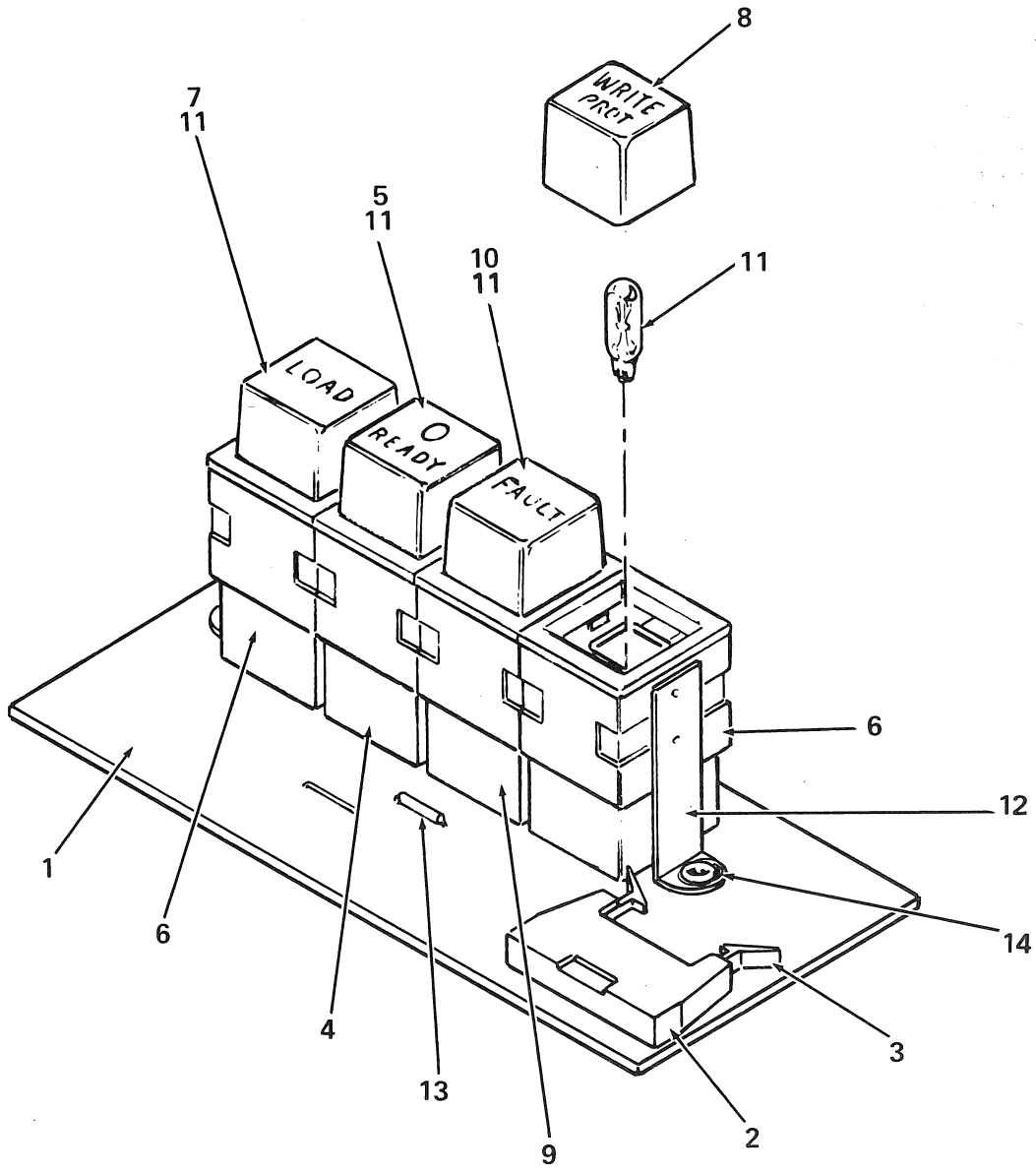
FIG. & ITEM NO.	DESCRIPTION	DEC PART NO.	ECO CUT-IN RL02 00005	USED ON CODE	REF FIG NO.
11A-	REAR COVER ASSEMBLY (New Design)	70-15125-00			3
1	* Cover, Rear	74-16847-00			
2	* Logic Drive Module Assembly	54-14025-00			
3	* Screw, Phl Pan Hd No. 8-32 Self Tapping	90-09800-04			
4	* Washer, Flat No. 8	90-06660-00			
5	* Washer, Flat Nylon	90-06708-00			
6	* Screw, Phl Pan Hd No. 4-40 x 3/16	90-08032-01			
7	* Insert, Flanged (deleted)	90-10101-00	70-15125		
8	* Clip, Rear Cover	74-15083-00	00001		
9	* "O" Ring	90-09316-00			
10	* Screw, Captive	12-13818-00			

FIG. & ITEM NO.	DESCRIPTION	DEC PART NO.	ECO CUT-IN 70-12111 00002	USED ON CODE	REF FIG NO.
12-	BEZEL ASSEMBLY	70-12111-00			3
1	*Bezel (deleted)	74-15105-00	RL01		
	*Bezel (added)	74-22843-00	00043		
2	*FRONT PANEL MODULE	54-11846-00			13
3	*Screw, Phi Pan Hd No. 6-32 x .375 (deleted)	90-09514-01	RL01		
	*Screw, Phi Pan Hd No. 4-40 x 1/4 (added)	90-09100-03	00043		
4	*Washer, Flat Nylon No. 6 (deleted)	90-06707-00	RL01		
	*Washer, Flat Nylon No. 4 (added)	90-09232-00	00043		



RL01-12

Figure 12. Bezel Assembly

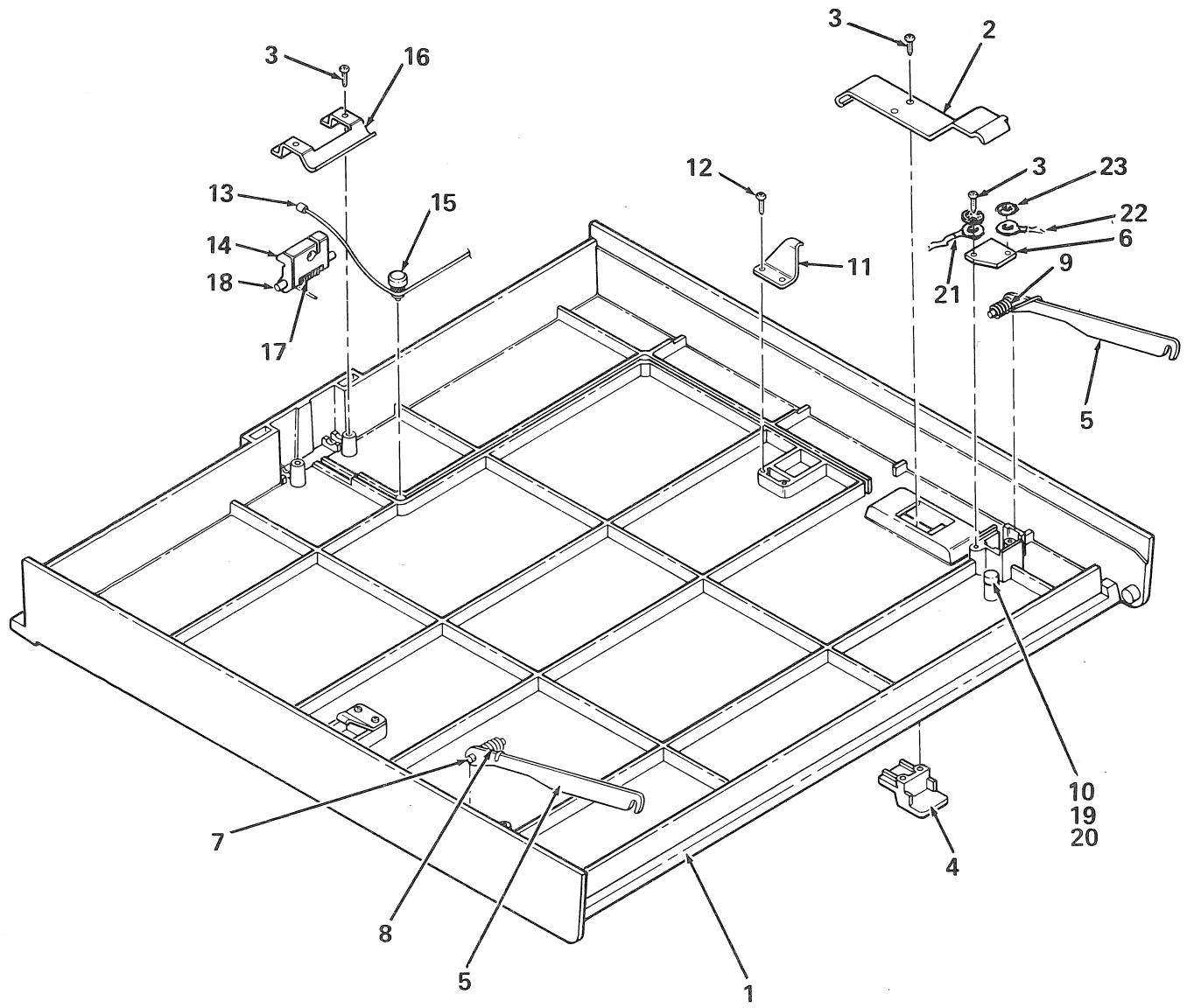


ETCH REV.D

RL02-13

Figure 13. Front Panel Module (Etch Rev. D)

FIG. & ITEM NO.	DESCRIPTION	DEC PART NO.	ECO CUT-IN 54-11846 00004	USED ON CODE	REF FIG NO.
13-	FRONT PANEL MODULE (ETCH REV. D)	54-11846-00			12
1	*Board, Etch (Rev. D)	54-11845-00			
2	*Connector, (J1), Pin Berg	12-09941-05			
3	*Connector Latch, (Left Hand)	12-09941-04			
	*Connector Latch, (Right Hand)	12-09941-03			
4	*Switch Unit Select (S3)	12-12690-01			
5	*Switch Cap, Drive Select Unit 0 (S3)	12-12691-00			
6	*Switch, PB Maintained (S1, S2)	12-12717-05			
7	*Switch Cap, Load (S1)	12-12714-05			
8	*Switch Cap, Write Protect (S2)	12-12714-01			
9	*Indicator, Fault Display (S4)	12-12715-02			
10	*Switch, Cap Fault (S4)	12-12714-02			
11	*Bulb, 14V (S1,S2,S3,S4)	12-12716-01			
12	*Bracket, Switch Mounting 4 Position	12-13188-01			
13	*Resistor, (R1) 1K Ohm, 1/4 W, 5% (deleted)	13-00365-00			
	*Resistor, (R1) 180 Ohms, 1/4, W, 5% (added)	13-01322-00	00005		
14	*Washer, Flat	90-06655-00			



RL01-14

Figure 14. Front Cover Assembly

FIG. & ITEM NO.	DESCRIPTION	DEC PART NO.	ECO CUT-IN 70-12115 00004	USED ON CODE	REF FIG NO.
14-	FRONT COVER ASSEMBLY	70-12115-00			3
1	*Cover, Front	74-16848-00			
2	*Stop, Latch (deleted)	74-16863-00			
	*Stop Latch (added)	74-25428-00	RL02		
			00018		
3	*Screw, Self Tap No. 6 x 3/8	90-09800-06			
4	*Latch, Release	74-16864-00			
5	*Bracket, Hinge	74-17443-00			
6	*Plate, Retainer	74-17444-00			
7	*Pin, Wire	74-17457-00			
8	*Spring, Torsion, R.H.	12-14357-00			
9	*Spring, Torsion, L.H.	12-14357-01			
10	*Button, Actuator	74-17456-00			
11	*Spring, Flat	74-19114-00			
12	*Screw, Phl Pan Hd Self Tapping No. 4 x 1/4	90-09800-07			
13	*Cable, Release	74-18596-00			
14	*Latch, Lock	74-17442-00			
15	*Post, Cable Guide	74-18592-00			
16	*Clamp, Guide	74-17441-00			
17	*Spring, Torsion	12-14358-00			
18	*Pin, Wire	74-17458-00			
19	*Washer, Flat	90-09968-01			
20	*Washer, Flat (added)	90-09908-00	00005		
21	*Ground, Top Cover Latch (added)	70-22279-01	RL02		
			00025		
22	*Terminal, Quick Disconnect (added)	90-08142-00	RL02		
			00025		
23	*Washer, Internal Lock (added)	90-06633-00	RL02		
			00025		

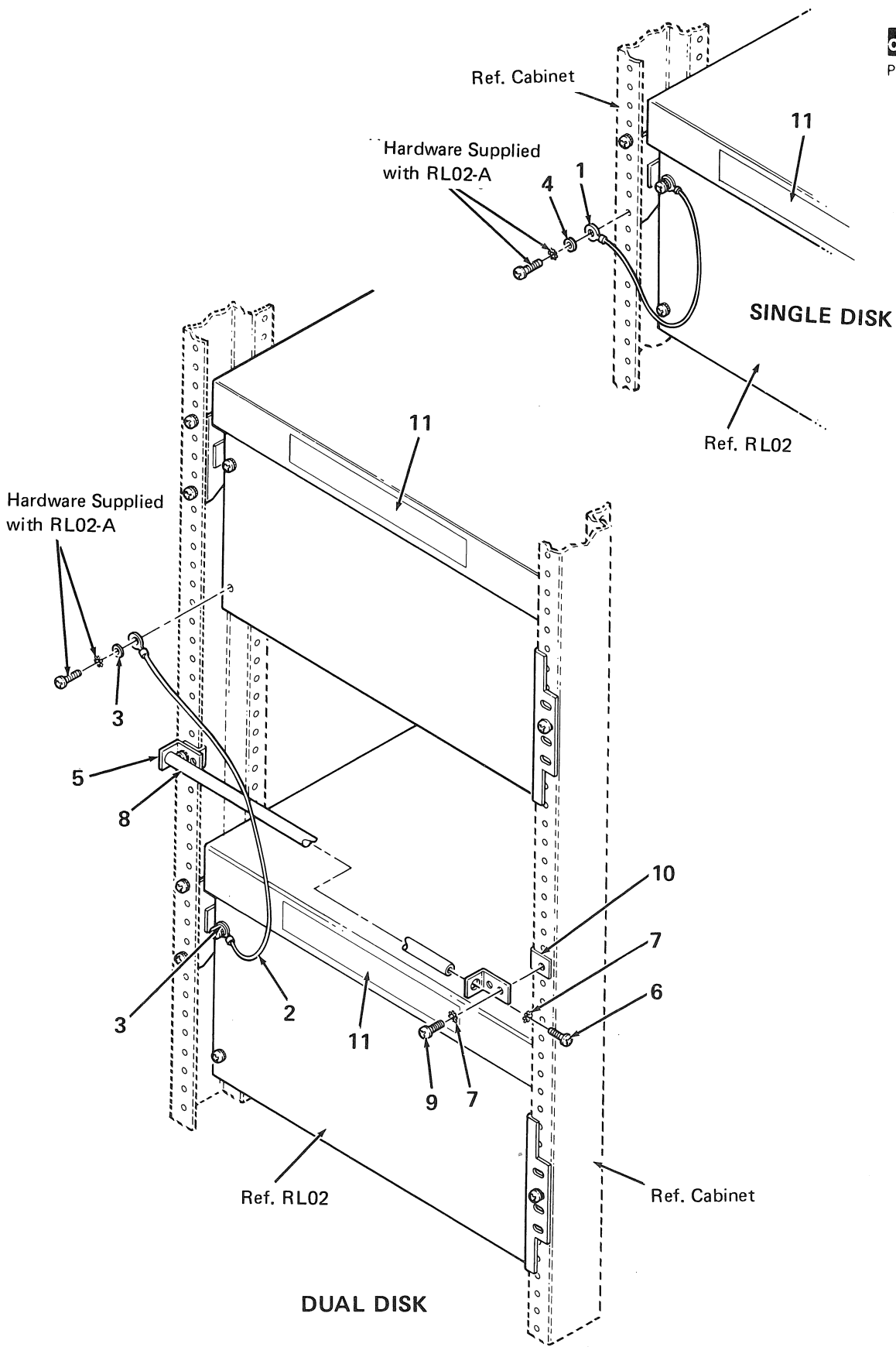


Figure 15. Cable Restraint System

RL01-15

FIG. & ITEM NO.	DESCRIPTION	DEC PART NO. ^A	ECO CUT-IN 70-16983 00001	USED ON CODE	REF FIG NO.
15-	CABLE RESTRAINT SYSTEM (20" Cable) CABLE RESTRAINT SYSTEM (23.8" Cable) CABLE RESTRAINT SYSTEM (29" Cable) (See Note)	70-16785-00 70-16785-01 70-16785-02		A B C	2,2A
1	*Cable Assembly, Nylon, (20" long)	12-15700-00		A	
2	*Cable Assembly, Nylon (23.8" long)	12-15700-03		B	
	*Cable Assembly, Nylon (29" long)	12-15700-01		C	
3	*Washer, Flat (.500 O.D.)	90-06662-00			
4	*Washer, Flat (.437 O.D.)	90-06664-00		A	
5	*Rod and Tube Retainer	74-21503-00		BC	
6	*Screw, Phi Truss Hd No. 10-32 x 1/2	90-06073-03		BC	
7	*Washer, Ext. Tooth Lock No. 10	90-07651-00		BC	
8	*Rod and Tube Assembly	12-12173-00		BC	
9	*Screw, Phi Truss Hd No. 10-32 x 11/16	90-08008-03		BC	
10	*Nut, "U"	90-07786-00		BC	
11	*Label "CAUTION, CABLE RESTRAINT"	36-15744-00			
	Note: The Used On Coding is for this Figure only.				

digital

PART NUMBER/DESCRIPTION SORT



RL02 DISK DRIVE SORTED BY PART NUMBER

PART	DESCRIPTION	FIG. NO.	DESC
09-09514-01	Screw, Phl Pan Hd No. 6-32 X .375 (deleted)	12	3
10-13102-00	Motor Capacitor	7	35
10-13530-00	Capacitor, 66,000 MFD 30V	7	5
10-13531-00	Capacitor, 20,000 MFD 40V	7	9
11-10051-00	Diode Assembly	7	15
12-09304-01	Fan (deleted)	7	18
12-09403-06	Fan (added)	7	18
12-09941-03	Connector Latch, (Right Hand)	13	3
12-09941-04	Connector Latch, (Left Hand)	13	3
12-09941-05	Connector, (J1), Pin Berg	13	2
12-10263-00	Grill, Fan	7	19
12-10430-00	Bracket, Capacitor	7	10
12-10431-00	Bracket, Capacitor	7	6
12-11591-35	Receptacle	7	41
12-11591-38	Guide, Receptacle	7	43
12-12173-00	Rod and Tube Assembly	15	8
12-12686-01	Rail, Slide Mounting	3	56
12-12690-01	Switch Unit Select (S3)	13	4
12-12691-00	Switch Cap, Drive Select Unit 0 (S3)	13	5
12-12714-01	Switch Cap, Write Protect (S2)	13	8
12-12714-02	Switch, Cap Fault (S4)	13	10
12-12714-05	Switch Cap, Load (S1)	13	7
12-12715-02	Indicator, Fault Display (S4)	13	9
12-12716-01	Bulb, 14V (S1,S2,S3,S4)	13	11
12-12717-05	Switch, PB Maintained (S1,S2)	13	6
12-13097-00	Air Filter	3	48
12-13156-01	Bracket, Motor Capacitor	7	37
12-13186-00	MOTOR, 115V	4	1
12-13188-01	Bracket, Switch Mounting 4 Position	13	12
12-13204-00	Solenoid, Cover Lock	5A	5
12-13204-00	Solenoid, Cover Lock	5	5
12-13369-00	Belt, Disk Drive	3	25
12-13683-00	Insulated Motor Cap	7	36
12-13686-00	Chassis Slide	2A	3
12-13686-00	Chassis slide	2	3
12-13818-00	Screw, Captive	11A	10
12-13818-00	Screw, Captive	11	8
12-13923-00	Connector, (P2) Housing 2 Pin Mate-N-Lok	8	4
12-13923-01	Connector, (P1) Housing 3 Pin Mate-NLok	9	1
12-13923-01	Connector, (P3) Housing 3 Pin Mate-N-Lok	8	3
12-13923-03	Connector, (P4) Housing 6 Pin Mate-N-Lok	8	2
12-13923-04	Connector, (J15) Housing 9 Pin Mate-N-Lok	8	1
12-13927-00	Terminal, (P1) Socket	9	2
12-13927-00	Terminal, Female Socket (J15,P2,P3,P4) (deleted)	8	5
12-13927-02	Terminal, Female Socket (J15,P2,P3,P4) (added)	8	5
12-14011-00	Switch	5	7
12-14330-00	Spring, Extension	3	3
12-14357-00	Spring, Torsion, R.H.	14	8
12-14357-01	Spring, Torsion, L.H.	14	9
12-14358-00	Spring, Torsion	14	17
12-14359-00	Washer, Flat No. 8	3	6

RL02 DISK DRIVE SORTED BY PART NUMBER

PART	DESCRIPTION	FIG. NO.	DESC
12-15360-00	RFI Filter (deleted)	7	29
12-15700-00	Cable Assembly, Nylon (20" long)	15	1
12-15700-01	Cable Assembly, Nylon (29" long)	15	2
12-15700-03	Cable Assembly, Nylon (23.8" long)	15	2
12-16827-00	Circuit Breaker	7	28
12-18468-00	RFI Filter (added)	7	29
13-00365-00	Resistor, (R1) 1K Ohm, 1/4 W, 5% (deleted)	13	13
13-01322-00	Resistor, (R1) 180 Ohms, 1/4, W, 5% (added)	13	13
16-13897-00	Transformer	7	11
17-00083-03	Cord, Power, 3/14 SJT, 60 Hz (added)	7	N/S
17-00083-03	Line Cord Assembly (60 Hz)	2A	20
17-00083-03	Line Cord Assembly (60Hz) (added)	2	21
17-00083-06	Line Cord Assembly (50Hz) (added)	2	21
17-00083-06	Line Cord Assembly (50 Hz)	2A	20
36-11448-00	Label, Line Cord	7	34
36-12680-00	Decal, Ground (added)	7	47
36-13209-03	Decal, Adh Backed, "Electrical Data"	3	N/S
36-13209-03	Label, "Electrical Data"	2	N/S
36-13211-01	Decal, "CSA"	3	N/S
36-14782-00	Label, Adhesive Backed	6	6
36-14783-00	Label, Adhesive Backed (deleted)	3	38
36-15393-05	Label, RL02 Rub-On	3	45
36-15687-00	Label, "RL02 Cartridge Caution"	3	N/S
36-15710-00	Label, Paper Form Feed (added)	10	5
36-15744-00	Label, "CAUTION, CABLE RESTRAINT"	15	11
36-16643-00	Label, Caution (deleted)	3	46
36-17674-06	Label, "Serial/Power W/O UL+CSA"	2A	N/S
36-17880-03	Label, "FCC, Class A, Peripheral" (added)	3	N/S
36-20191-01	Label, "Caution" (added)	3	38
54-11845-00	Board, Etch (Rev. D.)	13	1
54-11846-00	FRONT PANEL MODULE (ETCH REV. D)	13	0
54-11846-00	FRONT PANEL MODULE	12	2
54-11848-00	AC Servo Module	3	36
54-13534-00	Servo, Power Module	3	39
54-13536-00	RL02 Read/Write Module Assembly	6	4
54-14025-00	Logic Drive Module Assembly	11A	2
54-14025-00	Drive Logic Module	11	3
70-12107-3D	Interconnect Cable	3	44
70-12108-00	POWER PANEL HARNESS ASSEMBLY	8	0
70-12108-00	POWER PANEL HARNESS ASSEMBLY	7	30
70-12109-00	Line Cord (deleted)	7	32
70-12110-00	Cable, Fan	7	25
70-12111-00	BEZEL ASSEMBLY	3	55
70-12111-00	BEZEL ASSEMBLY	12	0
70-12112-00	BRUSH DRIVE ASSEMBLY (deleted) (Old Design)	3	31
70-12112-00	BRUSH DRIVE ASSEMBLY (deleted) (Old Design)	5	0
70-12114-00	DISK MOTOR ASSEMBLY	4	0
70-12114-00	DISK MOTOR ASSEMBLY	3	2

RL02 DISK DRIVE SORTED BY PART NUMBER

PART	DESCRIPTION	FIG. NO.	DESC
70-12115-00	FRONT COVER ASSEMBLY	14	0
70-12115-00	FRONT COVER ASSEMBLY	3	58
70-12116-00	Main Chassis Assembly	3	1
70-12117-00	Positioner Assembly	3	28
70-12122-10	I/O Cable Assembly (deleted)	2	8
70-12123-00	Interconnect Cable Assembly (added)	3	66
70-12123-0H	Logic Interconnect Cable	10	1
70-12125-0B	Cable, Terminal Board Interconnect	7	38
70-12125-0E	Cable, Terminal Board Interconnect	7	39
70-12126-00	Brush Drive Harness Assembly	5	15
70-12127-00	Terminal Block Assembly	7	2
70-12128-00	Access Cover Assembly (deleted)	3	57
70-12130-00	POWER PANEL ASSEMBLY	7	0
70-12132-00	Cartridge Sense Switch Assembly	5	1
70-12132-00	Cartridge Sense Switch Assembly	5A	1
70-12137-00	Transducer Assembly	3	17
70-12139-0F	Interconnect Cable	3	42
70-12139-0M	Interconnect Cable Assembly (added)	3	41
70-12139-0M	Interconnect Cable	10	2
70-12140-00	D.C. POWER HARNESS ASSEMBLY	3	43
70-12142-00	POWER HARNESS	7	40
70-12142-00	POWER HARNESS (deleted)	9	0
70-14261-00	Motor Crank Assembly	5	8
70-14262-00	INTERCONNECT CABLE ASSEMBLY (deleted)	10	0
70-14262-00	INTERCONNECT CABLE ASSEMBLY (deleted)	3	41
70-15116-00	Spindle Assembly	3	10
70-15124-00	READ/WRITE BOX ASSEMBLY	3	32
70-15124-00	READ/WRITE BOX ASSEMBLY	6	0
70-15125-00	REAR COVER ASSEMBLY (Old Design)	11	0
70-15125-00	REAR COVER ASSEMBLY (New Design)	11A	0
70-15125-00	REAR COVER ASSEMBLY	3	14
70-15222-00	Housing, Blower	4	2
70-15637-00	Head Assembly (A Up)	3	30
70-15637-01	Head Assembly (A Down)	3	29
70-16726-00	Brush and Holder Assembly	5	11
70-16785-00	CABLE RESTRAINT SYSTEM (added)	2	19
70-16785-00	CABLE RESTRAINT SYSTEM (20" Cable)	15	0
70-16785-00	CABLE RESTRAINT SYSTEM (Not Shown)	2A	19
70-16785-01	CABLE RESTRAINT SYSTEM (23.8" Cable)	15	0A
70-16785-02	CABLE RESTRAINT SYSTEM (29" Cable) (See Note)	15	0B
70-16991-00	SWITCH COVER ASSEMBLY (added) (New Design)	5A	0
70-16991-00	SWITCH COVER ASSEMBLY (added) (New Design)	3	31
70-17333-00	Cover Switch Harness Assembly	5A	6
70-17608-00	Ground Harness (added)	7	44
70-17609-00	Ground Harness (added)	7	45
70-20527-01	Receptacle, Cable, 40-Pin (added)	7	53
70-22278-01	Ground, Solenoid/Catridge Switch (added)	5A	10
70-22279-01	Ground, Top Cover Latch (added)	14	21
70-22280-01	Ground, Chassis, Top Cover Latch (added)	3	67
7012130-00	POWER PANEL ASSEMBLY	3	34
72-20084-01	Shim, Latch .02 in. Thk	3	60

RL02 DISK DRIVE SORTED BY PART NUMBER

PART	DESCRIPTION	FIG. NO.	DESC
74-15083-00	Clip, Rear Cover	11A	8
74-15084-00	Cover, R/W Box	6	5
74-15094-00	Cover, Plenum	3	53
74-15097-00	Pulley, Motor	4	6
74-15101-00	Spring, Plenum Cover	3	54
74-15105-00	Bezel (deleted)	12	1
74-15221-00	Impeller	4	5
74-15224-00	Cover, Brush Drive	5	2
74-15224-00	Cover, Switch	5A	2
74-15229-00	Bracket, Switch	5	6
74-15231-00	Gasket, Blower	4	14
74-15297-00	Pad, Filter	3	51
74-15303-00	Cover, AC Servo	3	37
74-16197-02	Decal, "U.L."	3	N/S
74-16326-00	Chassis, Power Supply	7	1
74-16329-00	Front, R/W Box	6	2
74-16330-00	Guide, R/W Box	6	3
74-16335-00	Retainer, Cable	3	52
74-16847-00	Cover, Rear	11	1
74-16847-00	Cover, Rear	11A	1
74-16848-00	Cover, Front	14	1
74-16858-00	Plunger, Cartridge Sense	5A	3
74-16858-00	Plunger, Cartridge Sense	5	3
74-16863-00	Stop, Latch (deleted)	14	2
74-16864-00	Latch, Release	14	4
74-16865-00	Bracket, Latch	3	13
74-17441-00	Clamp, Guide	14	16
74-17442-00	Latch, Lock	14	14
74-17443-00	Bracket, Hinge	14	5
74-17444-00	Plate, Retainer	14	6
74-17449-00	Shield, Cover	11	2
74-17450-00	Hatch	3	26
74-17452-00	Cover, Housing	4	11
74-17454-00	Bracket, Plenum	3	49
74-17455-00	Latch, Plenum	3	50
74-17456-00	Button, Actuator	14	10
74-17457-00	Pin, Wire	14	7
74-17458-00	Pin, Wire	14	18
74-18589-00	Brush Drive Link Assembly	5	14
74-18592-00	Post, Cable Guide	14	15
74-18594-00	Pan Assembly, Read/Write Box	6	1
74-18596-00	Cable, Release	14	13
74-19114-00	Spring, Flat	14	11
74-19261-00	Bracket, Chassis Slide	2	2
74-19261-00	Bracket, Chassis Slide	2A	2
74-19262-00	Bar Nut	2A	4
74-19262-00	Bar Nut	2	4
74-19856-00	Bracket, Shipping	2	18
74-19856-00	Bracket, Shipping	2A	18
74-19857-00	Bracket, Cable Support	2A	9
74-19857-00	Bracket, Cable Support	2	9
74-20068-00	Shield, Positioner	3	59
74-20084-00	Shim, Latch .01 in. Thk	3	60
74-20826-00	Cover, Servo Board	3	40

RLO2 DISK DRIVE SORTED BY PART NUMBER

PART	DESCRIPTION	FIG.	
		NO.	DESC
74-21503-00	Rod and Tube Retainer	15	5
74-21977-00	Guide, Hinge Bracket (added)	3	65
74-22834-00	Insulator, Head Cable (added)	3	64
74-22843-00	Bezel (added)	12	1
74-25428-00	Stop Latch (added)	14	2
90-00049-05	Screw, Phl Truss Hd No. 8-32 x 1/2 (added)	3	61
90-00049-21	Screw, Sems Phl Pan Hd No. 6-32 x 5/16 (added)	3	20
90-00049-23	Screw, Sems Phl Pan Hd No. 6-32 x 3/8 (added)	3	23
90-00049-26	Screw, Sems Phl Pan Hd No. 8-32 x 1/4 (added)	3	27
90-00049-27	Screw, Sems Phl Pan Hd No. 8-32 x 3/8 (added)	3	4
90-00049-28	Screw, Sems Phl Pan Hd No. 8-32 x 3/8 (added)	3	33
90-06020-01	Screw, Phl Pan Hd No. 6-32 x 1/4	7	7
90-06021-01	Screw, Phl Pan Hd No. 6-32 x 5/16	2	10
90-06021-01	Screw, Phl Pan Hd No. 6-32 x 5/16	7	31
90-06021-01	Screw, Phl Pan Hd No. 6-32 x 5/16 (deleted)	3	15
90-06021-01	Screw, Phl Pan Hd No. 6-32 x 5/16	2A	10
90-06022-01	Screw, Phl Pan Hd No. 6-32 x 3/8 (deleted)	3	23
90-06022-01	Screw, Phl Pan Hd No. 6-32 x .38	11	6
90-06023-01	Screw, Phl Pan Hd No. 6-32 x 7/16	7	16
90-06024-01	Screw, Phl Pan Hd No. 6-32 x 1/2 (deleted)	3	20
90-06025-01	Screw, Phl Pan Hd No. 6-32 x 5/8 (added)	7	50
90-06027-01	Screw, Phl Pan Hd No. 6-32 x 7/8	7	20
90-06028-01	Screw, Phl Pan Hd No. 6-32 x 1.00 (deleted)	7	27
90-06036-01	Screw, Phl Pan Hd No. 8-32 x 5/16	7	12
90-06037-01	Screw, Phl Pan Hd No. 8-32 x 3/8	4	9
90-06037-01	Screw, Phl Pan Hd No. 8-32 x 3/8 (deleted)	3	4
90-06038-01	Screw, Phl Pan Hd No. 8-32 X 7/16 (deleted)	3	35
90-06039-01	Screw, Phl Pan Hd No. 8-32 x 1/2 (deleted)	3	33
90-06039-04	Screw, Slotted Binder Hd No. 8-32 x 1/2	2	7
90-06039-04	Screw, Slotted Binder Hd No. 8-32 x 1/2	2A	7
90-06040-01	Screw, Phl Pan Hd No. 8-32 x 5/8 (deleted)	3	61
90-06053-01	Screw, Phl Pan Hd No. 8-32 x 1/4 (deleted)	3	27
90-06070-01	Screw, Phl Pan Hd No. 10-32 x 1/4	7	23
90-06072-01	Screw, Phl Pan Hd No. 10-32 x 7/16	4	3
90-06073-03	Screw, Phl Truss Hd No. 10-32 x 1/2	15	6
90-06418-01	Screw, Phl Pan Hd No. 8-32 x 3/8 (added)	3	62
90-06553-00	Washer, Flat 3/8 O.D. x 5/32	5A	7
90-06560-00	Nut, Kep No. 6-32	7	22
90-06633-00	Washer, Internal Tooth Lock No. 6 (added)	5	19
90-06633-00	Washer, Internal Tooth Lock No. 8 (deleted)	3	24
90-06633-00	Washer, Internal Tooth Lock No. 10	7	13
90-06633-00	Washer, Internal Tooth Lock No. 6	7	17
90-06633-00	Washer, Internal Tooth Lock No. 6	4	13
90-06633-00	Washer, Internal Lock (added)	14	23
90-06633-00	Washer, Lock, Int. Tooth (added)	5A	11
90-06634-00	Washer, Internal Tooth Lock No. 6	3	21
90-06635-00	Washer, Internal Tooth Lock No. 10	4	4
90-06635-00	Washer, Internal Tooth Lock No. 10	7	24
90-06636-00	Washer, Int. Tooth Lock No. 10 (deleted)	3	12
90-06653-00	Washer, Flat No. 6	2	12
90-06653-00	Washer, Flat No. 6	2A	12
90-06653-00	Washer, Flat No. 6	7	21
90-06653-00	Washer, Flat No. 6	5	12

RL02 DISK DRIVE SORTED BY PART NUMBER

PART	DESCRIPTION	FIG.	
		NO.	DESC
90-06653-00	Washer, Flat No. 6	3	19
90-06655-00	Washer, Flat	13	14
90-06660-00	Washer, Flat	3	22
90-06660-00	Washer, Flat No. 8	11	5
90-06660-00	Washer, Flat No. 8	11A	4
90-06662-00	Washer, Flat (.500 O.D.)	15	3
90-06664-00	Washer, Flat (.437 O.D.)	15	4
90-06668-00	Washer, Flat No. 10	2A	14
90-06668-00	Washer, Flat No. 10	2	14
90-06707-00	Washer, Flat Nylon No. 6 (deleted)	12	4
90-06707-00	Washer, Flat Nylon No. 6	11	7
90-06708-00	Washer, Flat Nylon	11A	5
90-06973-01	Screw, Phl Pan Hd No. 10-32 x 1/2 (deleted)	2	5
90-07016-00	Grommet	7	14
90-07031-00	Cable Tie	5A	9
90-07031-00	Cable Tie (deleted)	2	16
90-07031-00	Tie Wrap	5	17
90-07031-00	Tie Wrap	8	9
90-07031-00	Tie Wrap	9	6
90-07031-00	Cable Tie	2A	16
90-07079-00	Cable Clamp	3	18
90-07081-00	Cable Clamp	5A	8
90-07081-00	Cable Clamp	5	16
90-07082-00	Cable Clamp	7	26
90-07083-00	Cable Clamp (1/2)	2A	13
90-07083-00	Cable Clamp (3/8) (deleted)	2	13
90-07085-00	Cable Clamp (1/2) (added)	2	13
90-07089-00	Cable Clamp (3/4) (deleted)	2	17
90-07089-00	Cable Clamp (3/4)	2A	17
90-07091-00	Cable Clamp (1) (added)	2	17
90-07649-00	Washer, External Tooth Lock No. 6 (deleted)	2	11
90-07649-00	Washer, External Tooth No. 6	7	8
90-07649-00	Washer, External Tooth Lock No. 6	5	18
90-07649-00	Washer, External Tooth Lock No. 6 (deleted)	3	16
90-07651-00	Washer, External Tooth Lock No. 10	2A	6
90-07651-00	Washer, External Tooth Lock No. 10	2	6
90-07786-00	Nut, U-Shaped No. 10-32	2	15
90-07786-00	Nut, "U"	15	10
90-07786-00	Nut, U-Shaped No. 10-32	2A	15
90-07928-00	Terminal, Ring No. 10 (Blue)	9	3
90-07929-00	Terminal, Ring #1 Position, Insulated (added)	7	52
90-07929-00	Terminal, Ring (added)	8	10
90-07930-00	Terminal, Ring No. 10	8	8
90-07930-00	Terminal, Ring No. 10 (Red)	9	4
90-07969-00	Terminal, Quick Disconnect	8	6
90-07970-00	Terminal, Quick Disconnect	8	7
90-07970-00	Terminal, Quick Disconnect	9	5
90-08008-03	Screw, Phl Truss Hd No. 10-32 x 11/16	15	9
90-08032-01	Screw, Phl Pan Hd No. 4-40 x 3/16	11A	6
90-08072-00	Washer, External Tooth Lock No. 8 (deleted)	3	5
90-08072-00	Washer, External Tooth Lock No. 8	4	10
90-08301-01	Screw, Phl Pan Hd No. 4-40 x 1/4	7	42
90-08397-10	Screw, Set No. 8-32 x 1/4 (deleted)	4	7
90-08408-01	Screw, Self Tapping, Phl Pan Hd No. 6-32 x 1/4 (deleted)	4	12

RL02 DISK DRIVE SORTED BY PART NUMBER

PART	DESCRIPTION	FIG.	
		NO.	DESC
90-08853-00	Plug (220V) (deleted)	2	20
90-08881-00	Foam Tape	10	4
90-08955-01	Screw, Phl Pan Hd No. 10-32 x 15/16 (deleted)	3	11
90-08957-01	Nut, Hex 6-32 x 1/4 (added)	7	49
90-09023-00	Washer, Internal Tooth Lock No. 8 (added)	3	63
90-09059-01	Tape, Foam, 1/2 W x 1/4 Thk (added)	7	48
90-09100-03	Screw, Phl Pan Hd No. 4-40 x 1/4 (added)	12	3
90-09165-00	Clip, Fan Mounting (added)	7	51
90-09232-00	Washer, Flat Nylon No. 4 (added)	12	4
90-09255-00	Label, Power Supply (added)	7	46
90-09282-00	Screw, Sems Phl Pan Hd No. 10-32 x 15/16 (added)	3	11
90-09316-00	"O" Ring	11	9
90-09316-00	"O" Ring	11A	9
90-09507-00	Tape, Vinyl	10	3
90-09700-00	Screw, Sems Truss Hd No. 10-32 x 1/2 (added)	2	5
90-09700-00	Screw, Sems Truss Phl Hd No. 10-32 x 1/2	2A	5
90-09759-00	Screw, Flat Hd No. 8-32 x 3/8	3	47
90-09768-01	Strain Relief (deleted)	7	33
90-09778-00	Screw, Set Nylock No. 8-32 x 1/4 (deleted)	4	7
90-09778-00	Screw, Set Nylock No. 8-32 x 1/4 (added)	4	7
90-09800-01	Screw, Plastite No. 6 x .875	7	4
90-09800-04	Screw, Phl Pan Hd Self Tapping No. 8 x .38	11	4
90-09800-04	Screw, Phl Pan Hd No. 8-32 Self Tapping	11A	3
90-09800-06	Screw, Plastite No. 6 x .38	7	3
90-09800-06	Screw, Phl Pan Hd No. 6-32 x 3/8	5A	4
90-09800-06	Screw, Self Tap No. 6 x .38	5	4
90-09800-06	Screw, Self Tap No. 6 x 3/8	14	3
90-09800-07	Screw, Phl Pan Hd Self Tapping No. 4 x 1/4	14	12
90-09865-00	Pushnut Fastner	5	9
90-09866-00	Retainer	5	13
90-09868-00	Washer	5	10
90-09884-00	Washer, Teflon	3	9
90-09885-00	Washer, Wave Spring	3	7
90-09905-00	Screw, Phl Pan Hd No. 6-32 x 1/4 (added)	4	12
90-09908-00	Washer, Flat (added)	14	20
90-09968-01	Washer, Flat	14	19
90-09974-00	Washer, Flat	3	8
90-09992-00	Pin, Grooved	4	8
90-10101-00	Insert, Flanged (deleted)	11A	7
90-10152-00	Cable Tie (added)	2	16
90-10155-00	Screw, Sems Phl Pan Hd No. 6-32 x 5/16	2A	11
90-10155-00	Screw, Sems Phl Pan Hd No. 6-32 x 5/16	2	22
90-10174-03	Screw, Sems Phl Pan Hd No. 6-32 x 1/2 (added)	3	35
90-70651-00	Washer, Ext. Tooth Lock No. 10	15	7
90-80142-00	Terminal, Quick Disconnect (added)	14	22
BC21F-08	I/O Cable Assembly	2A	8
BC21F-10	I/O Cable Assembly (added)	2	8
BC21Z-10	I/O Cable Assembly (added)	2	8
BC21Z-10	I/O Cable Assembly (deleted)	2	8

RL02 DISK DRIVE SORTED BY PART NUMBER

PART	DESCRIPTION	FIG. NO.	DESC
RL02-00	RL02 DISK DRIVE ASSEMBLY	3	0
RL02-00	RL02 DISK DRIVE ASSEMBLY	2A	1
RL02-00	RL02 DISK DRIVE ASSEMBLY	2	1
RL02-A	RL02-A DISK DRIVE and MOUNTING HARDWARE KIT	2	0
RL02-A	RL02-A DISK DRIVE AND MOUNTING HARDWARE	1	1
RL02-AK	RL02 DISK DRIVE AND CARTRIDGE	1	0
RL02-DC	RL02 Data Cartridge (deleted)	1	2
RL02-F	RL02-F DISK DRIVE and MOUNTING HARDWARE KIT	2A	0
RL02-F	RL02-F DISK DRIVE AND MOUNTING HARDWARE	1A	1
RL02-FK	RL02 DISK DRIVE AND CARTRIDGE	1A	0
RL02K-DC	RL02 10 Megabyte Data Cartridge (added)	1	2
RL02K-DC	10 Megabyte Data Cartridge	1A	2

RL02 DISK DRIVE SORTED BY DESCRIPTION

DESCRIPTION	PART	FIG. NO.	ITEM
"O" Ring	90-09316-00	11	9
"O" Ring	90-09316-00	11A	9
10 Megabyte Data Cartridge	RL02K-DC	1A	2
AC Servo Module	54-11848-00	3	36
Access Cover Assembly (deleted)	70-12128-00	3	57
Air Filter	12-13097-00	3	48
Bar Nut	74-19262-00	2	4
Bar Nut	74-19262-00	2A	4
Belt, Disk Drive	12-13369-00	3	25
Bezel (added)	74-22843-00	12	1
Bezel (deleted)	74-15105-00	12	1
BEZEL ASSEMBLY	70-12111-00	12	0
BEZEL ASSEMBLY	70-12111-00	3	55
Board, Etch (Rev. D.)	54-11845-00	13	1
Bracket, Cable Support	74-19857-00	2A	9
Bracket, Cable Support	74-19857-00	2	9
Bracket, Capacitor	12-10431-00	7	6
Bracket, Capacitor	12-10430-00	7	10
Bracket, Chassis Slide	74-19261-00	2	2
Bracket, Chassis Slide	74-19261-00	2A	2
Bracket, Hinge	74-17443-00	14	5
Bracket, Latch	74-16865-00	3	13
Bracket, Motor Capacitor	12-13156-01	7	37
Bracket, Plenum	74-17454-00	3	49
Bracket, Shipping	74-19856-00	2	18
Bracket, Shipping	74-19856-00	2A	18
Bracket, Switch	74-15229-00	5	6
Bracket, Switch Mounting 4 Position	12-13188-01	13	12
Brush and Holder Assembly	70-16726-00	5	11
BRUSH DRIVE ASSEMBLY (deleted) (Old Design)	70-12112-00	5	0
BRUSH DRIVE ASSEMBLY (deleted) (Old Design)	70-12112-00	3	31
Brush Drive Harness Assembly	70-12126-00	5	15
Brush Drive Link Assembly	74-18589-00	5	14
Bulb, 14V (S1,S2,S3,S4)	12-12716-01	13	11
Button, Actuator	74-17456-00	14	10
Cable Assembly, Nylon (20" long)	12-15700-00	15	1
Cable Assembly, Nylon (23.8" long)	12-15700-03	15	2
Cable Assembly, Nylon (29" long)	12-15700-01	15	2
Cable Clamp	90-07082-00	7	26
Cable Clamp	90-07079-00	3	18
Cable Clamp	90-07081-00	5A	8
Cable Clamp	90-07081-00	5	16
Cable Clamp (1) (added)	90-07091-00	2	17
Cable Clamp (1/2)	90-07083-00	2A	13
Cable Clamp (1/2) (added)	90-07085-00	2	13
Cable Clamp (3/4)	90-07089-00	2A	17
Cable Clamp (3/4) (deleted)	90-07089-00	2	17
Cable Clamp (3/8) (deleted)	90-07083-00	2	13
CABLE RESTRAINT SYSTEM (20" Cable)	70-16785-00	15	0
CABLE RESTRAINT SYSTEM (23.8" Cable)	70-16785-01	15	0A

RL02 DISK DRIVE SORTED BY DESCRIPTION

DESCRIPTION	PART	FIG. NO.	ITEM
CABLE RESTRAINT SYSTEM (29" Cable) (See Note)	70-16785-02	15	0B
CABLE RESTRAINT SYSTEM (added)	70-16785-00	2	19
CABLE RESTRAINT SYSTEM (Not Shown)	70-16785-00	2A	19
Cable Tie	90-07031-00	5A	9
Cable Tie	90-07031-00	2A	16
Cable Tie (added)	90-10152-00	2	16
Cable Tie (deleted)	90-07031-00	2	16
Cable, Fan	70-12110-00	7	25
Cable, Release	74-18596-00	14	13
Cable, Terminal Board Interconnect	70-12125-0E	7	39
Cable, Terminal Board Interconnect	70-12125-0B	7	38
Capacitor, 20,000 MFD 40V	10-13531-00	7	9
Capacitor, 66,000 MFD 30V	10-13530-00	7	5
Cartridge Sense Switch Assembly	70-12132-00	5A	1
Cartridge Sense Switch Assembly	70-12132-00	5	1
Chassis slide	12-13686-00	2	3
Chassis Slide	12-13686-00	2A	3
Chassis, Power Supply	74-16326-00	7	1
Circuit Breaker	12-16827-00	7	28
Clamp, Guide	74-17441-00	14	16
Clip, Fan Mounting (added)	90-09165-00	7	51
Clip, Rear Cover	74-15083-00	11A	8
Connector Latch, (Left Hand)	12-09941-04	13	3
Connector Latch, (Right Hand)	12-09941-03	13	3
Connector, (J1), Pin Berg	12-09941-05	13	2
Connector, (J15) Housing 9 Pin Mate-N-Lok	12-13923-04	8	1
Connector, (P1) Housing 3 Pin Mate-NLok	12-13923-01	9	1
Connector, (P2) Housing 2 Pin Mate-N-Lok	12-13923-00	8	4
Connector, (P3) Housing 3 Pin Mate-N-Lok	12-13923-01	8	3
Connector, (P4) Housing 6 Pin Mate-N-Lok	12-13923-03	8	2
Cord, Power, 3/14 SJT, 60 Hz (added)	17-00083-03	7	N/S
Cover Switch Harness Assembly	70-17333-00	5A	6
Cover, AC Servo	74-15303-00	3	37
Cover, Brush Drive	74-15224-00	5	2
Cover, Front	74-16848-00	14	1
Cover, Housing	74-17452-00	4	11
Cover, Plenum	74-15094-00	3	53
Cover, R/W Box	74-15084-00	6	5
Cover, Rear	74-16847-00	11	1
Cover, Rear	74-16847-00	11A	1
Cover, Servo Board	74-20826-00	3	40
Cover, Switch	74-15224-00	5A	2
D.C. POWER HARNESS ASSEMBLY	70-12140-00	3	43
Decal, "CSA"	36-13211-01	3	N/S
Decal, "U.L."	74-16197-02	3	N/S
Decal, Adh Backed, "Electrical Data"	36-13209-03	3	N/S
Decal, Ground (added)	36-12680-00	7	47
Diode Assembly	11-10051-00	7	15
DISK MOTOR ASSEMBLY	70-12114-00	4	0
DISK MOTOR ASSEMBLY	70-12114-00	3	2
Drive Logic Module	54-14025-00	11	3

RL02 DISK DRIVE SORTED BY DESCRIPTION

DESCRIPTION	PART	FIG. NO.	ITEM
Fan (added)	12-09403-06	7	18
Fan (deleted)	12-09304-01	7	18
Foam Tape	90-08881-00	10	4
FRONT COVER ASSEMBLY	70-12115-00	14	0
FRONT COVER ASSEMBLY	70-12115-00	3	58
FRONT PANEL MODULE	54-11846-00	12	2
FRONT PANEL MODULE (ETCH REV. D)	54-11846-00	13	0
Front, R/W Box	74-16329-00	6	2
Gasket, Blower	74-15231-00	4	14
Grill, Fan	12-10263-00	7	19
Grommet	90-07016-00	7	14
Ground Harness (added)	70-17608-00	7	44
Ground Harness (added)	70-17609-00	7	45
Ground, Chassis, Top Cover Latch (added)	70-22280-01	3	67
Ground, Solenoid/Catridge Switch (added)	70-22278-01	5A	10
Ground, Top Cover Latch (added)	70-22279-01	14	21
Guide, Hinge Bracket (added)	74-21977-00	3	65
Guide, R/W Box	74-16330-00	6	3
Guide, Receptacle	12-11591-38	7	43
Hatch	74-17450-00	3	26
Head Assembly (A Down)	70-15637-01	3	29
Head Assembly (A Up)	70-15637-00	3	30
Housing, Blower	70-15222-00	4	2
I/O Cable Assembly	BC21F-08	2A	8
I/O Cable Assembly (added)	BC21Z-10	2	8
I/O Cable Assembly (added)	BC21F-10	2	8
I/O Cable Assembly (deleted)	70-12122-10	2	8
I/O Cable Assembly (deleted)	BC21Z-10	2	8
Impeller	74-15221-00	4	5
Indicator, Fault Display (S4)	12-12715-02	13	9
Insert, Flanged (deleted)	90-10101-00	11A	7
Insulated Motor Cap	12-13683-00	7	36
Insulator, Head Cable (added)	74-22834-00	3	64
Interconnect Cable	70-12139-0M	10	2
Interconnect Cable	70-12107-3D	3	44
Interconnect Cable	70-12139-0F	3	42
Interconnect Cable Assembly (added)	70-12139-0M	3	41
Interconnect Cable Assembly (added)	70-12123-00	3	66
INTERCONNECT CABLE ASSEMBLY (deleted)	70-14262-00	10	0
INTERCONNECT CABLE ASSEMBLY (deleted)	70-14262-00	3	41
Label, "Caution" (added)	36-20191-01	3	38
Label, "CAUTION, CABLE RESTRAINT"	36-15744-00	15	11
Label, "Electrical Data"	36-13209-03	2	N/S
Label, "FCC, Class A, Peripheral" (added)	36-17880-03	3	N/S
Label, "RL02 Cartridge Caution"	36-15687-00	3	N/S
Label, "Serial/Power W/O UL+CSA"	36-17674-06	2A	N/S
Label, Adhesive Backed	36-14782-00	6	6
Label, Adhesive Backed (deleted)	36-14783-00	3	38
Label, Caution (deleted)	36-16643-00	3	46
Label, Line Cord	36-11448-00	7	34

RLO2 DISK DRIVE SORTED BY DESCRIPTION

DESCRIPTION	PART	FIG. NO.	ITEM
Screw, Phl Pan Hd Self Tapping No. 4 x 1/4	90-09800-07	14	12
Screw, Phl Pan Hd Self Tapping No. 8 x .38	90-09800-04	11	4
Screw, Phl Truss Hd No. 10-32 x 1/2	90-06073-03	15	6
Screw, Phl Truss Hd No. 10-32 x 11/16	90-08008-03	15	9
Screw, Phl Truss Hd No. 8-32 x 1/2 (added)	90-00049-05	3	61
Screw, Plastite No. 6 x .38	90-09800-06	7	3
Screw, Plastite No. 6 x .875	90-09800-01	7	4
Screw, Self Tap No. 6 x .38	90-09800-06	5	4
Screw, Self Tap No. 6 x 3/8	90-09800-06	14	3
Screw, Self Tapping, Phl Pan Hd No. 6-32 x 1/4 (deleted)	90-08408-01	4	12
Screw, Sems Phl Pan Hd No. 10-32 x 15/16 (added)	90-09282-00	3	11
Screw, Sems Phl Pan Hd No. 6-32 x 1/2 (added)	90-10174-03	3	35
Screw, Sems Phl Pan Hd No. 6-32 x 3/8 (added)	90-00049-23	3	23
Screw, Sems Phl Pan Hd No. 6-32 x 5/16	90-10155-00	2A	11
Screw, Sems Phl Pan Hd No. 6-32 x 5/16	90-10155-00	2	22
Screw, Sems Phl Pan Hd No. 6-32 x 5/16 (added)	90-00049-21	3	20
Screw, Sems Phl Pan Hd No. 8-32 x 1/4 (added)	90-00049-26	3	27
Screw, Sems Phl Pan Hd No. 8-32 x 3/8 (added)	90-00049-27	3	4
Screw, Sems Phl Pan Hd No. 8-32 x 3/8 (added)	90-00049-28	3	33
Screw, Sems Truss Hd No. 10-32 x 1/2 (added)	90-09700-00	2	5
Screw, Sems Truss Phl Hd No. 10-32 x 1/2	90-09700-00	2A	5
Screw, Set No. 8-32 x 1/4 (deleted)	90-08397-10	4	7
Screw, Set Nylock No. 8-32 x 1/4 (added)	90-09778-00	4	7
Screw, Set Nylock No. 8-32 x 1/4 (deleted)	90-09778-00	4	7
Screw, Slotted Binder Hd No. 8-32 x 1/2	90-06039-04	2A	7
Screw, Slotted Binder Hd No. 8-32 x 1/2	90-06039-04	2	7
Servo, Power Module	54-13534-00	3	39
Shield, Cover	74-17449-00	11	2
Shield, Positioner	74-20068-00	3	59
Shim, Latch .01 in. Thk	74-20084-00	3	60
Shim, Latch .02 in. Thk	72-20084-01	3	60
Solenoid, Cover Lock	12-13204-00	5A	5
Solenoid, Cover Lock	12-13204-00	5	5
Spindle Assembly	70-15116-00	3	10
Spring, Extension	12-14330-00	3	3
Spring, Flat	74-19114-00	14	11
Spring, Plenum Cover	74-15101-00	3	54
Spring, Torsion	12-14358-00	14	17
Spring, Torsion, L.H.	12-14357-01	14	9
Spring, Torsion, R.H.	12-14357-00	14	8
Stop Latch (added)	74-25428-00	14	2
Stop, Latch (deleted)	74-16863-00	14	2
Strain Relief (deleted)	90-09768-01	7	33
Switch	12-14011-00	5	7
Switch Cap, Drive Select Unit 0 (S3)	12-12691-00	13	5
Switch Cap, Load (S1)	12-12714-05	13	7
Switch Cap, Write Protect (S2)	12-12714-01	13	8
SWITCH COVER ASSEMBLY (added) (New Design)	70-16991-00	3	31
SWITCH COVER ASSEMBLY (added) (New Design)	70-16991-00	5A	0
Switch Unit Select (S3)	12-12690-01	13	4
Switch, Cap Fault (S4)	12-12714-02	13	10
Switch, PB Maintained (S1,S2)	12-12717-05	13	6

RL02 DISK DRIVE SORTED BY DESCRIPTION

DESCRIPTION	PART	FIG.	
		NO.	ITEM
Tape, Foam, 1/2 W x 1/4 Thk (added)	90-09059-01	7	48
Tape, Vinyl	90-09507-00	10	3
Terminal Block Assembly	70-12127-00	7	2
Terminal, (P1) Socket	12-13927-00	9	2
Terminal, Female Socket (J15,P2,P3,P4) (added)	12-13927-02	8	5
Terminal, Female Socket (J15,P2,P3,P4) (deleted)	12-13927-00	8	5
Terminal, Quick Disconnect	90-07970-00	9	5
Terminal, Quick Disconnect	90-07970-00	8	7
Terminal, Quick Disconnect	90-07969-00	8	6
Terminal, Quick Disconnect (added)	90-80142-00	14	22
Terminal, Ring #1 Position, Insulated (added)	90-07929-00	7	52
Terminal, Ring (added)	90-07929-00	8	10
Terminal, Ring No. 10	90-07930-00	8	8
Terminal, Ring No. 10 (Blue)	90-07928-00	9	3
Terminal, Ring No. 10 (Red)	90-07930-00	9	4
Tie Wrap	90-07031-00	9	6
Tie Wrap	90-07031-00	8	9
Tie Wrap	90-07031-00	5	17
Transducer Assembly	70-12137-00	3	17
Transformer	16-13897-00	7	11
Washer	90-09868-00	5	10
Washer, Ext. Tooth Lock No. 10	90-70651-00	15	7
Washer, External Tooth Lock No. 10	90-07651-00	2A	6
Washer, External Tooth Lock No. 10	90-07651-00	2	6
Washer, External Tooth Lock No. 6	90-07649-00	5	18
Washer, External Tooth Lock No. 6 (deleted)	90-07649-00	3	16
Washer, External Tooth Lock No. 6 (deleted)	90-07649-00	2	11
Washer, External Tooth Lock No. 8	90-08072-00	4	10
Washer, External Tooth Lock No. 8 (deleted)	90-08072-00	3	5
Washer, External Tooth No. 6	90-07649-00	7	8
Washer, Flat	90-06655-00	13	14
Washer, Flat	90-09968-01	14	19
Washer, Flat	90-06660-00	3	22
Washer, Flat	90-09974-00	3	8
Washer, Flat (.437 O.D.)	90-06664-00	15	4
Washer, Flat (.500 O.D.)	90-06662-00	15	3
Washer, Flat (added)	90-09908-00	14	20
Washer, Flat 3/8 O.D. x 5/32	90-06553-00	5A	7
Washer, Flat No. 10	90-06668-00	2A	14
Washer, Flat No. 10	90-06668-00	2	14
Washer, Flat No. 6	90-06653-00	7	21
Washer, Flat No. 6	90-06653-00	2A	12
Washer, Flat No. 6	90-06653-00	2	12
Washer, Flat No. 6	90-06653-00	3	19
Washer, Flat No. 6	90-06653-00	5	12
Washer, Flat No. 8	90-06660-00	11A	4
Washer, Flat No. 8	90-06660-00	11	5
Washer, Flat No. 8	12-14359-00	3	6
Washer, Flat Nylon	90-06708-00	11A	5
Washer, Flat Nylon No. 4 (added)	90-09232-00	12	4
Washer, Flat Nylon No. 6	90-06707-00	11	7
Washer, Flat Nylon No. 6 (deleted)	90-06707-00	12	4
Washer, Int. Tooth Lock No. 10 (deleted)	90-06636-00	3	12

RL02 DISK DRIVE SORTED BY DESCRIPTION

DESCRIPTION	PART	FIG. NO.	ITEM
Washer, Internal Lock (added)	90-06633-00	14	23
Washer, Internal Tooth Lock No. 10	90-06635-00	7	24
Washer, Internal Tooth Lock No. 10	90-06635-00	4	4
Washer, Internal Tooth Lock No. 10	90-06633-00	7	13
Washer, Internal Tooth Lock No. 6	90-06633-00	7	17
Washer, Internal Tooth Lock No. 6	90-06634-00	3	21
Washer, Internal Tooth Lock No. 6	90-06633-00	4	13
Washer, Internal Tooth Lock No. 6 (added)	90-06633-00	5	19
Washer, Internal Tooth Lock No. 8 (added)	90-09023-00	3	63
Washer, Internal Tooth Lock No. 8 (deleted)	90-06633-00	3	24
Washer, Lock, Int. Tooth (added)	90-06633-00	5A	11
Washer, Teflon	90-09884-00	3	9
Washer, Wave Spring	90-09885-00	3	7

**ILLUSTRATED PARTS BREAKDOWN
COMMENT SHEET**

Any and all comments and suggestions for correcting errors and/or additional information to improve this manual will be reviewed and researched for possible use when this manual is revised and/or reprinted. Enter your comments and suggestions in the form provided below and return to Technical Documentation.

MODEL RL02 DISK DRIVE

PUBLICATION NO. **EK-0RL02-IP-004**

FIGURE NO. _____ ITEM NO. _____

FIGURE NO. _____ ITEM NO. _____

CHANGE FROM _____

CHANGE FROM _____

CHANGE TO _____

CHANGE TO _____

FIGURE NO. _____ ITEM NO. _____

FIGURE NO. _____ ITEM NO. _____

CHANGE FROM _____

CHANGE FROM _____

CHANGE TO _____

CHANGE TO _____

FIGURE NO. _____ ITEM NO. _____

FIGURE NO. _____ ITEM NO. _____

CHANGE FROM _____

CHANGE FROM _____

CHANGE TO _____

CHANGE TO _____

ADDITIONAL COMMENT(S)

Please describe your position. _____

Name _____ Organization _____

Street _____ Department _____

City _____ State _____ Zip or Country _____

-----Fold Here-----

-----Do Not Tear - Fold Here and Staple-----

digital



No Postage
Necessary
if Mailed in the
United States

BUSINESS REPLY MAIL

FIRST CLASS PERMIT NO. 33 MAYNARD, MA.

POSTAGE WILL BE PAID BY ADDRESSEE

Digital Equipment Corporation
Educational Services
129 Parker Street, PK03-2/H31
Maynard, MA 01754

