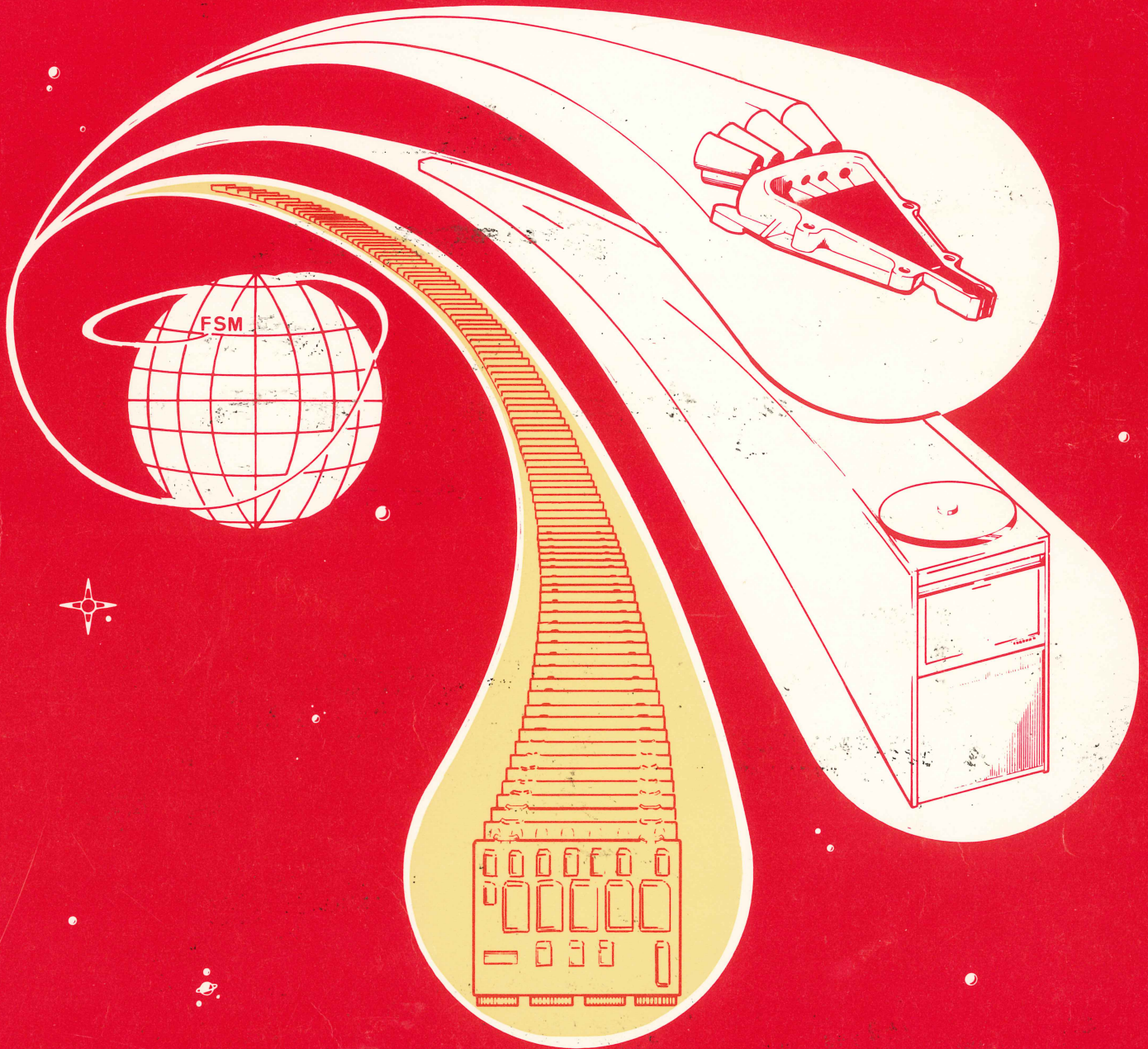


FIELD SERVICE LOGISTICS



REPAIR PROCESS

A-RE-7020814-01-W0^{\$02}

digital

ILLUSTRATED PARTS BREAKDOWN

RL01 DISK DRIVE

HOW TO USE THE IPB

GENERAL

This IPB is compiled following the organization and nomenclature of the engineering drawing structure.

MAJOR ASSEMBLY LOCATOR

The Major Assembly Locator (first illustration) is an index that provides a description and a figure reference for all illustrations used in this manual.

INDENTED PARTS LIST

This manual identifies each assembly being broken down (figure reference callout), and all parts of that assembly. Further breakdown of an assembly is shown by an asterisk (*) preceding the item callouts in the Description Column. The number of asterisks preceding an item is used to denote the subordination of that item with respect to the Major Assembly. A single asterisk preceding an item description indicates that the item is part of the major assembly being illustrated. Items that are subordinate to single asterisks items, are denoted by two asterisks (**) and immediately follow the related single asterisk item. Additional asterisks are used, as required, to denote further subordination. This system of part identification, provides a means for the user to identify the next higher assembly item and make alternate selections for parts when the required replacement part or assembly is not immediately available.

COLUMN CALLOUT DESCRIPTION

Figure & Item — Indicates the figure number and item number of each part.

Description — Lists the name of the part and pertinent specifications (when required). Asterisks preceding the description denote the subordination of the part to the next higher assembly.

DEC Part No. — Lists the DEC part ordering number. A blank in this column indicates a DEC part number was not assigned at the time of publication.

ECO Cut-In — The notation at the top of this column indicates the ECO level of the system (option), at which the IPB was initially prepared. Subsequent ECO level designations, that modify existing parts or add new parts to the device, are inserted in the ECO Cut-In column next to the part that is added or modified. A bracket ([]) preceding the item description is used to indicate the parts affected by ECO's.

Vendor Code/Part No. — Indicates vendor parts that are not stocked by DEC. Refer to the Field Service Spares Catalog (vendor part number to DEC part number) for the vendor code cross-reference.

Used On Code — Letters in this column correspond to the variation codes assigned in Figure 1. Parts with an Alpha notation(s) are used only in those option variations. A blank indicates that the part is used on all option variations.

Ref Fig No. — A cross reference between illustrations. For each Major Assembly, the number in this column denotes the figure of the next higher assembly. For all subassemblies, the number in this column denotes the figure showing additional detailed breakdown.

SYMBOL USAGE

Hardware Designators — Alpha designators for screws (S), washers (W), nuts (N), and retaining rings (R) are inserted after the item number callouts on the illustration when stacked item numbers are used.

Attaching Hardware — The @ symbol is inserted before any part that is used as attaching hardware. Attaching hardware is denoted as those parts that are not an integral part of the referenced assembly.

(NFR) Not Field Repairable — The (NFR) symbol is inserted after any assembly that is not to be field dismantled.

Other Symbols — Any other symbols that are required for kits, accessories, etc., will be explained and appear as part of the item description.

REVISION HISTORY

OTHER IPB MANUALS REQUIRED TO SUPPORT THIS OPTION

PRINTING	ECO LEVEL				DATE	
5th Printing	RL01-AK	00001-00003	70-12108	00001-00004	5-30-85	N/A
	RL01-A	RL01-AK-00003	70-12142	RL02-00016		
	RL01	00001-00055	70-14262	RL02-00016		
	70-12114	00000-00005	70-12119	RL01-00036		
	70-12112	00000-00006	70-15125	00001-00001		
	70-16691	RL02-00025	70-12111	RL01-00043		
	70-12118	00001-00005	54-11846	00003-00005		
	70-15124	RL01-00049	70-12115	RL02-00025		
	70-12130	00002-00015	70-16785	00001-00001		

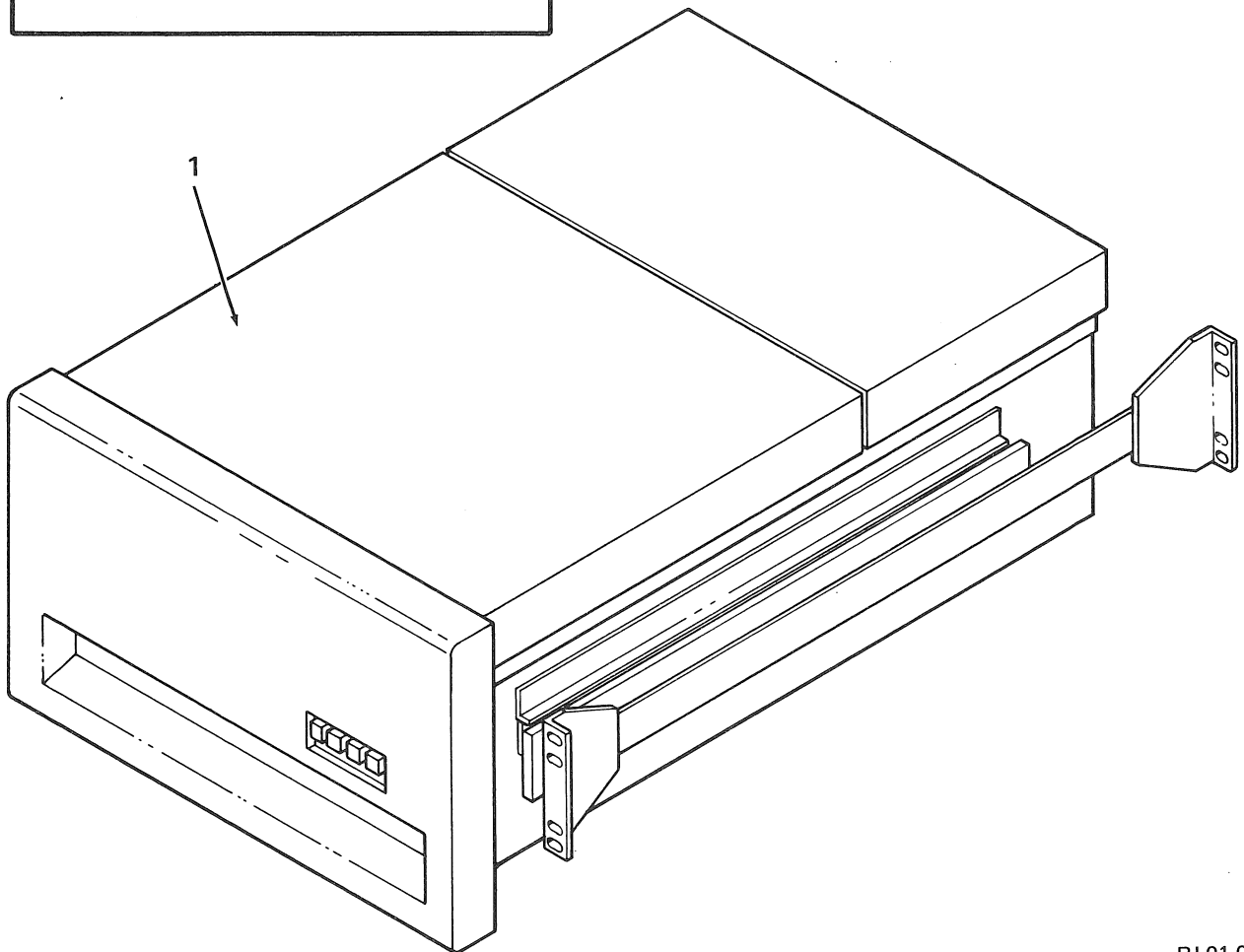
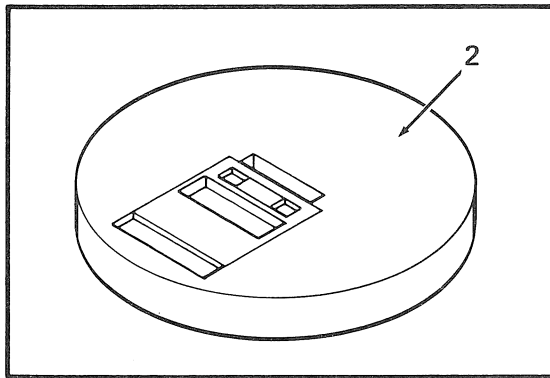
Copyright © 1979, 1981, 1982, 1985 by Digital Equipment Corporation. All rights reserved.

DEC reserves the right, without notice, to make substitutions and modifications in the specifications of products documented in this manual and further reserves the right to withdraw any of these products from the market without notice.

DEC is not responsible for errors which may appear in the technical description (including illustrations and photographs) of the products covered by this manual.

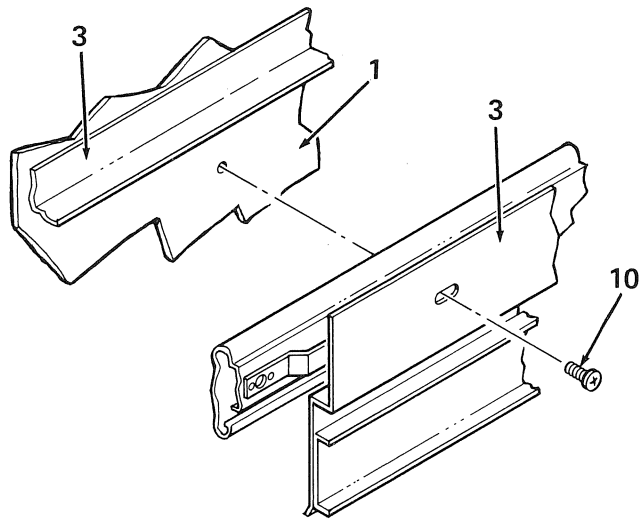
None of the descriptions contained in this manual imply the granting of any license whatsoever to make, use or sell equipment constructed in accordance therewith.

FIG. & ITEM NO.	DESCRIPTION	DEC PART NO.	ECO CUT-IN RL01-AK 00002	USED ON CODE	REF FIG NO.
1-	RL01 DISK DRIVE and CARTRIDGE	RL01-AK			
1	*RL01 DISK DRIVE and MOUNTING HARDWARE KIT	RL01-A			2
2	*RL01 DATA CARTRIDGE	RL01K-DC			



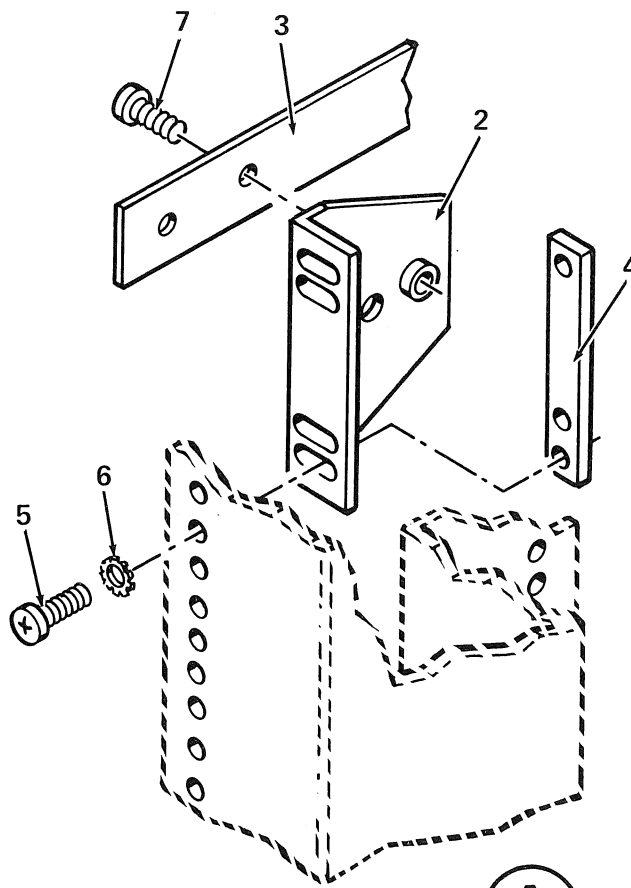
RL01-01

Figure 1. RL01 Disk Drive and Cartridge



B

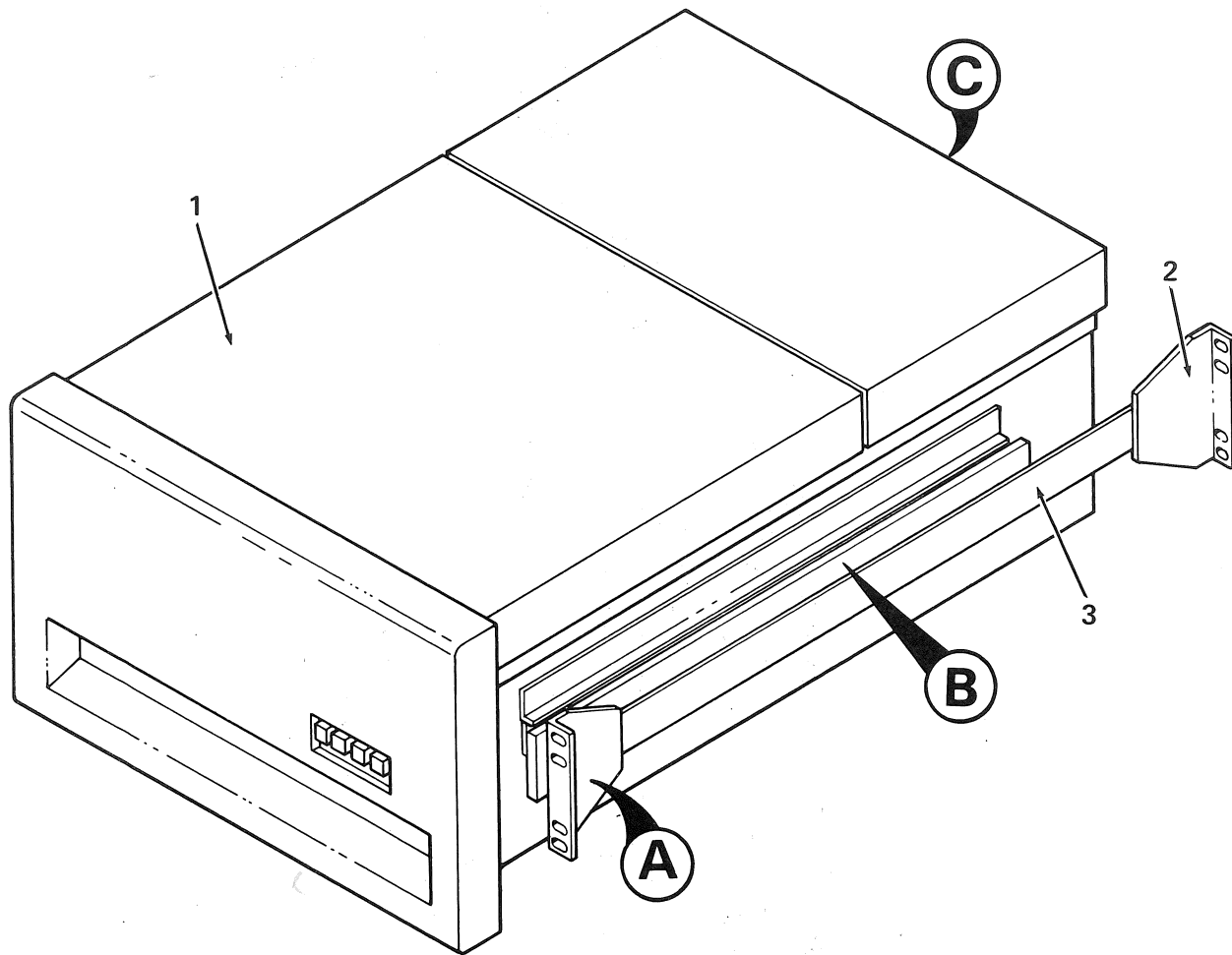
RL01-02B



A

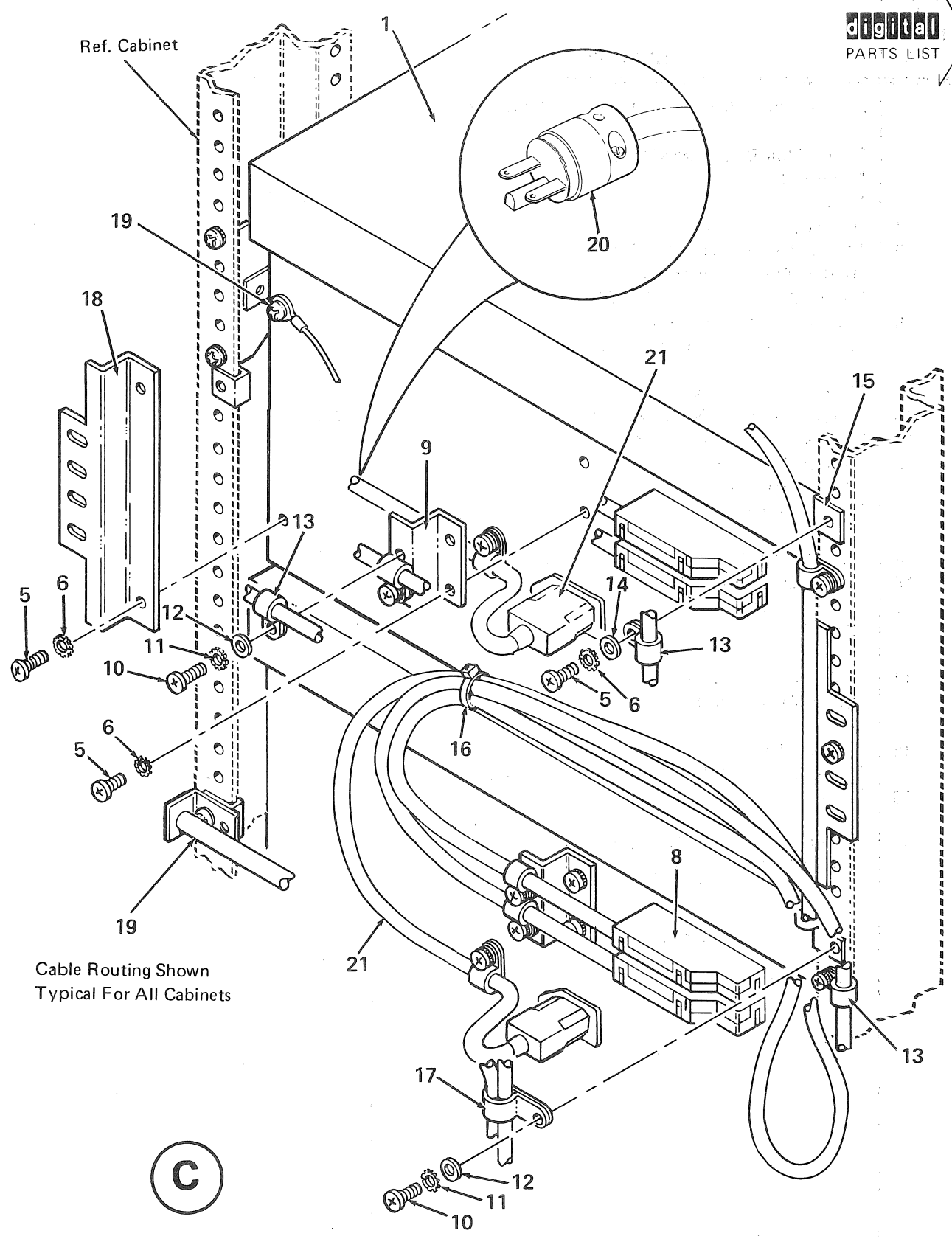
RL01-02A

Figure 2. RL01 Disk Drive and Hardware Kit (Sheet 2 of 3)



RL01-02

Figure 2. RL01 Disk Drive and Hardware Kit (Sheet 1 of 3)



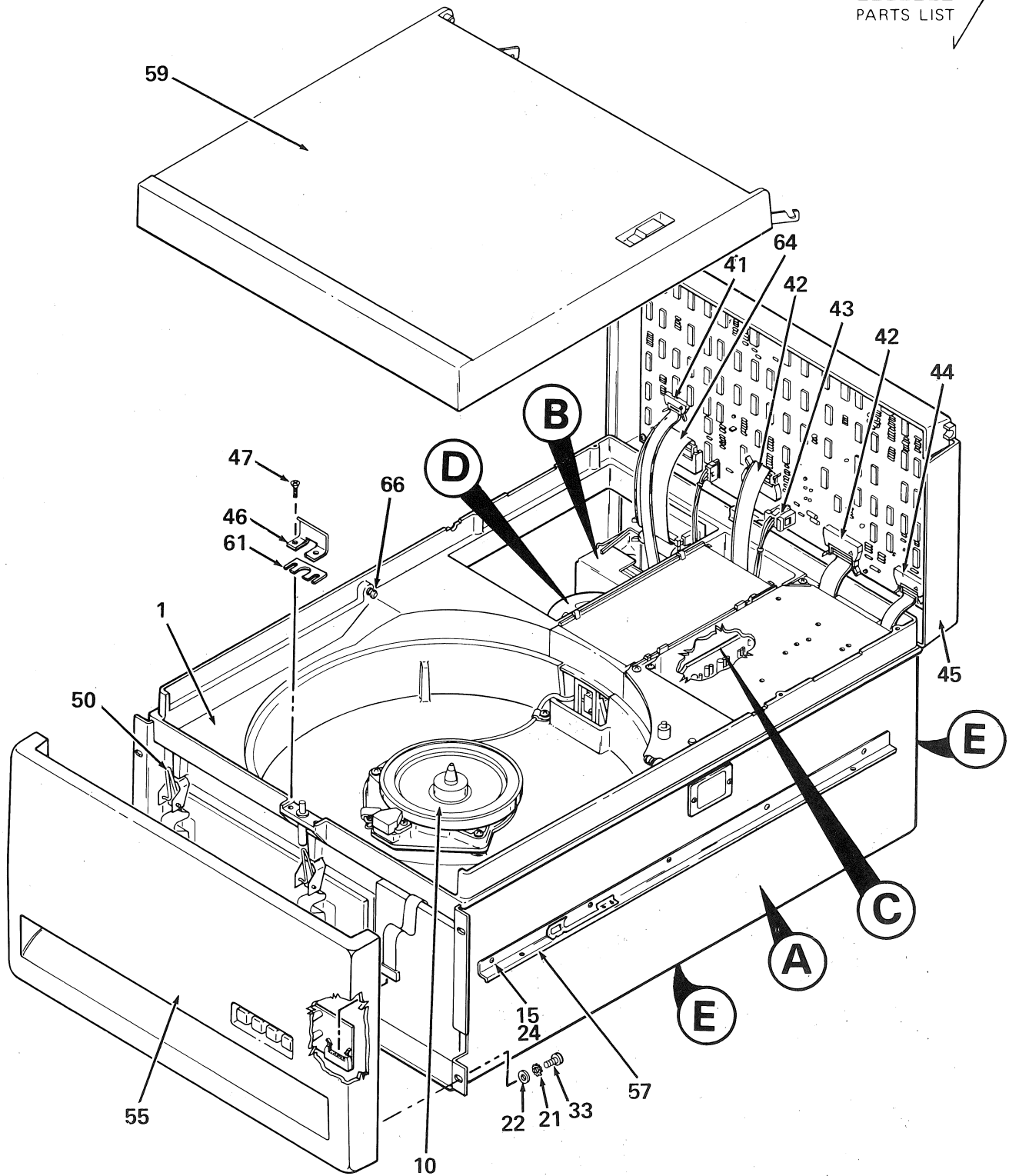
Cable Routing Shown
Typical For All Cabinets

C

RL01-02C

Figure 2. RL01 Disk Drive and Hardware Kit (Sheet 3 of 3)

FIG. & ITEM NO.	DESCRIPTION	DEC PART NO.	ECO CUT-IN RL01-A 00003	USED ON CODE	REF FIG NO.
2-	RL02-A DISK DRIVE and MOUNTING HARDWARE KIT	RL01-A			1
1	*RL01 DISK DRIVE ASSEMBLY	RL01-00			3
2	*Bracket, Chassis Slide	74-19261-00			
3	*Chassis Slide	12-13686-00			
4	*Bar Nut	74-19262-00			
5	*Screw, Phl Pan Hd No. 10-32 x 1/2 (deleted)	90-06073-01			
6	*Washer, External Tooth Lock No. 10	90-07651-00			
7	*Screw, Slotted Binder Hd No. 8-32 x 1/2	90-06039-04			
8	*I/O Cable Assembly (deleted)	70-12122-10			
	*Shielded I/O Cable Assembly (added)	BC21Z-10	RL01-AK 00002		
9	*Bracket, Cable Support	74-19857-00			
10	*Screw, Phl Pan Hd No. 6-32 x 5/16	90-06021-01			
11	*Washer, External Tooth Lock No. 6	90-07649-00			
12	*Washer, Flat No. 6	90-06653-00			
13	*Cable Clamp (deleted)	90-07083-00			
	*Cable Clamp (added)	90-07085-00	RL01-AK 00003		
14	*Washer, Flat No. 10	90-06668-00			
15	*Nut, U-Shaped No. 10-32	90-07786-00			
16	*Cable Tie (deleted)	90-07031-00			
	*Cable Tie (added)	90-10152-00	RL01-AK 00003		
17	*Cable Clamp (deleted)	90-07089-00			
	*Cable Clamp (added)	90-07091-00	RL01-AK 00003		
18	*Bracket, Shipping	74-19856-00			
19	*CABLE RESTRAINT SYSTEM (added) (Ref.)	70-16785-00	00029		15
20	*Plug (220V) (deleted)	90-08853-00	RL01-AK 00003		
21	*Line Cord Assembly (60 Hz) (added)	17-00083-03			
	*Line Cord Assembly (50 Hz) (added)	17-00083-06	RL01-AK 00003		
	LABELS (Not Shown)				
	*Label, "Electrical Data"	36-13209-03			



RL01-03

Figure 3. RL01 Disk Drive Assembly (Sheet 1 of 7)

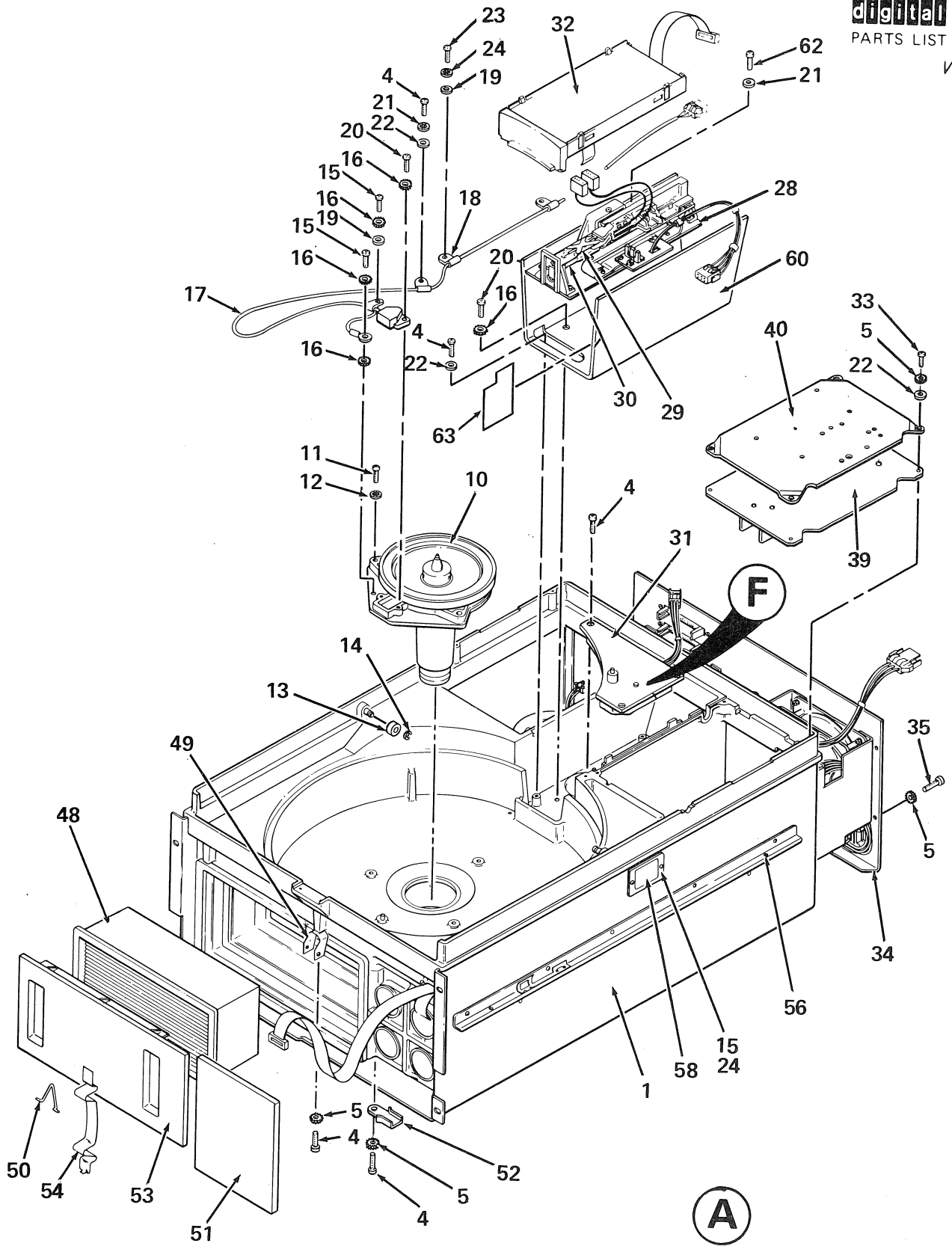
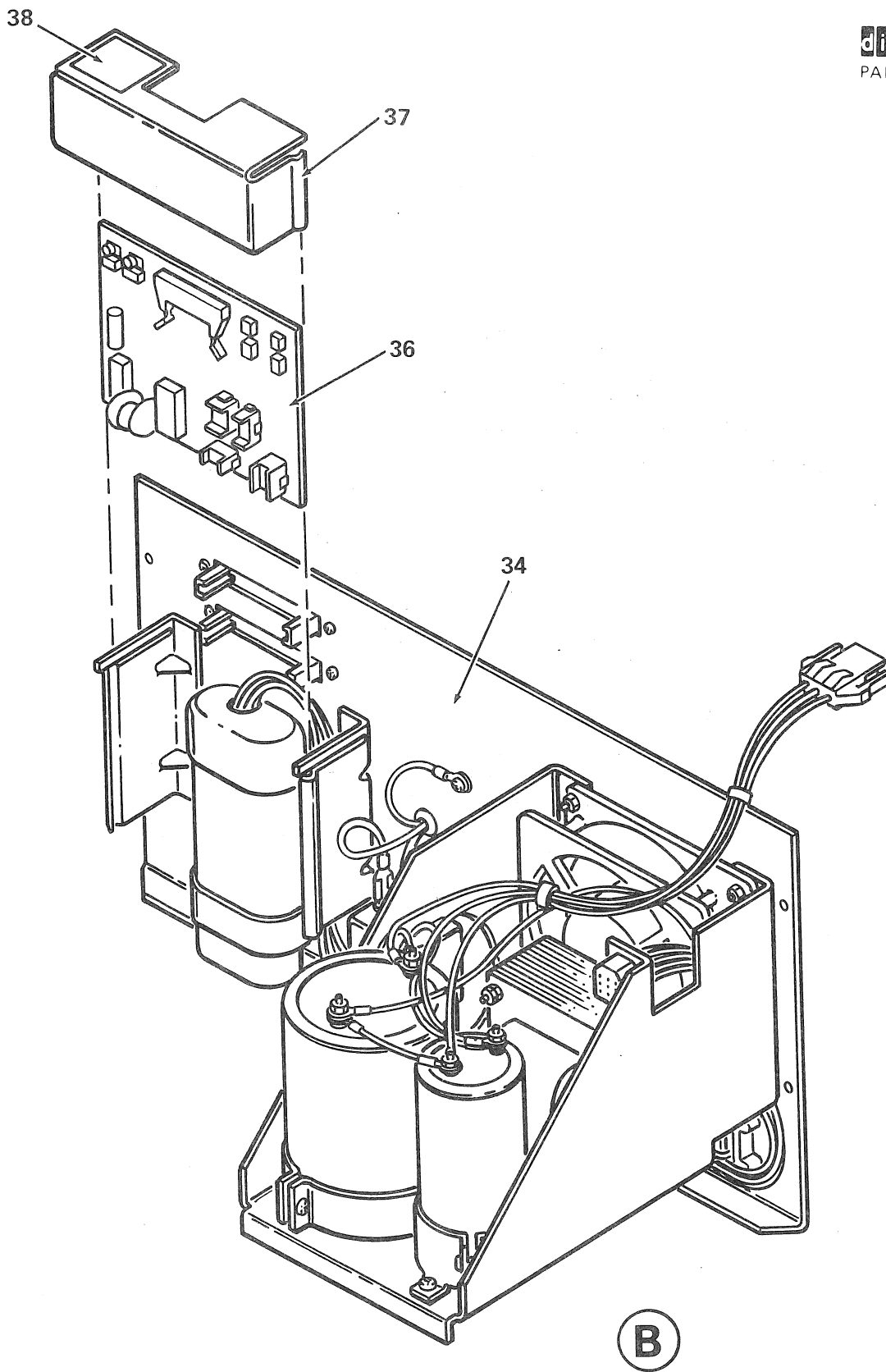
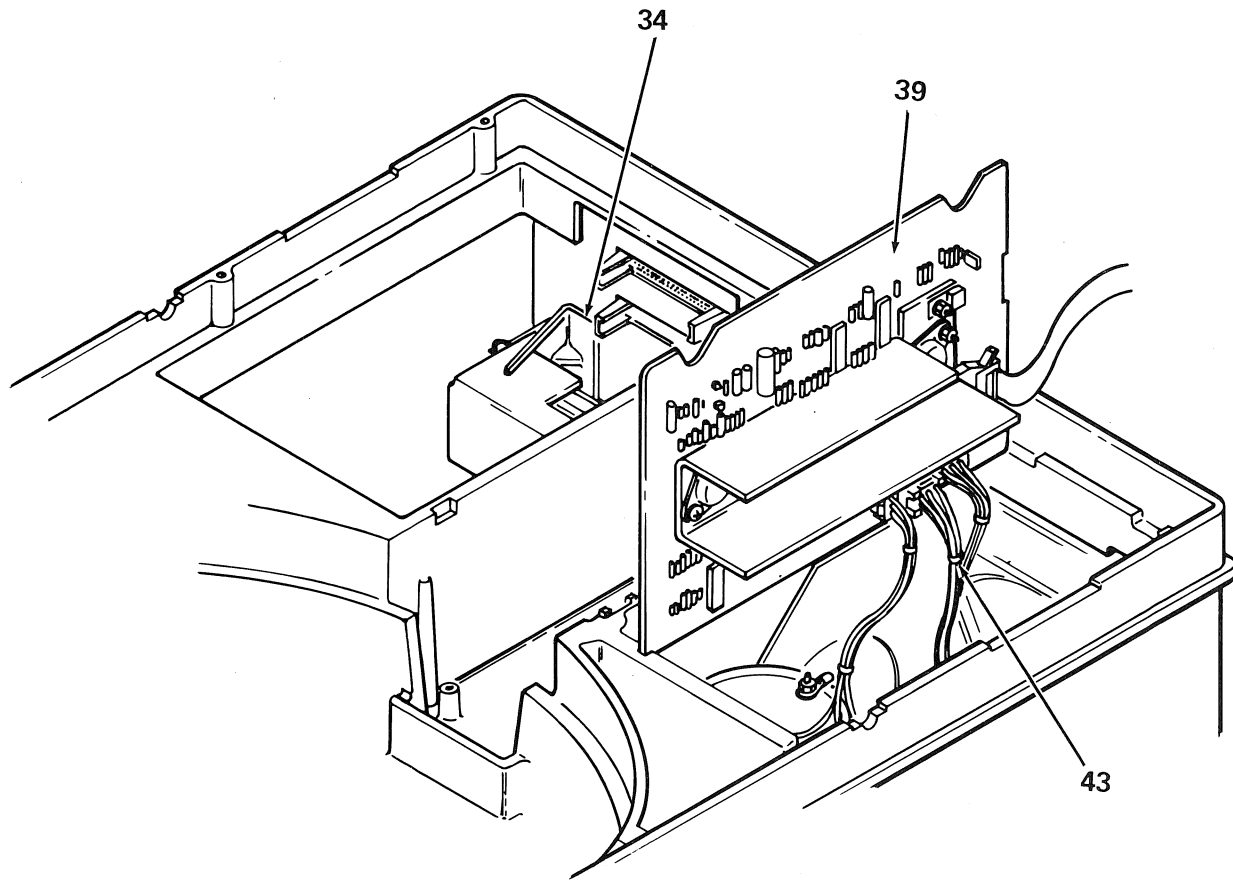


Figure 3. RL01 Disk Drive Assembly (Sheet 2 of 7)



RL01-03B

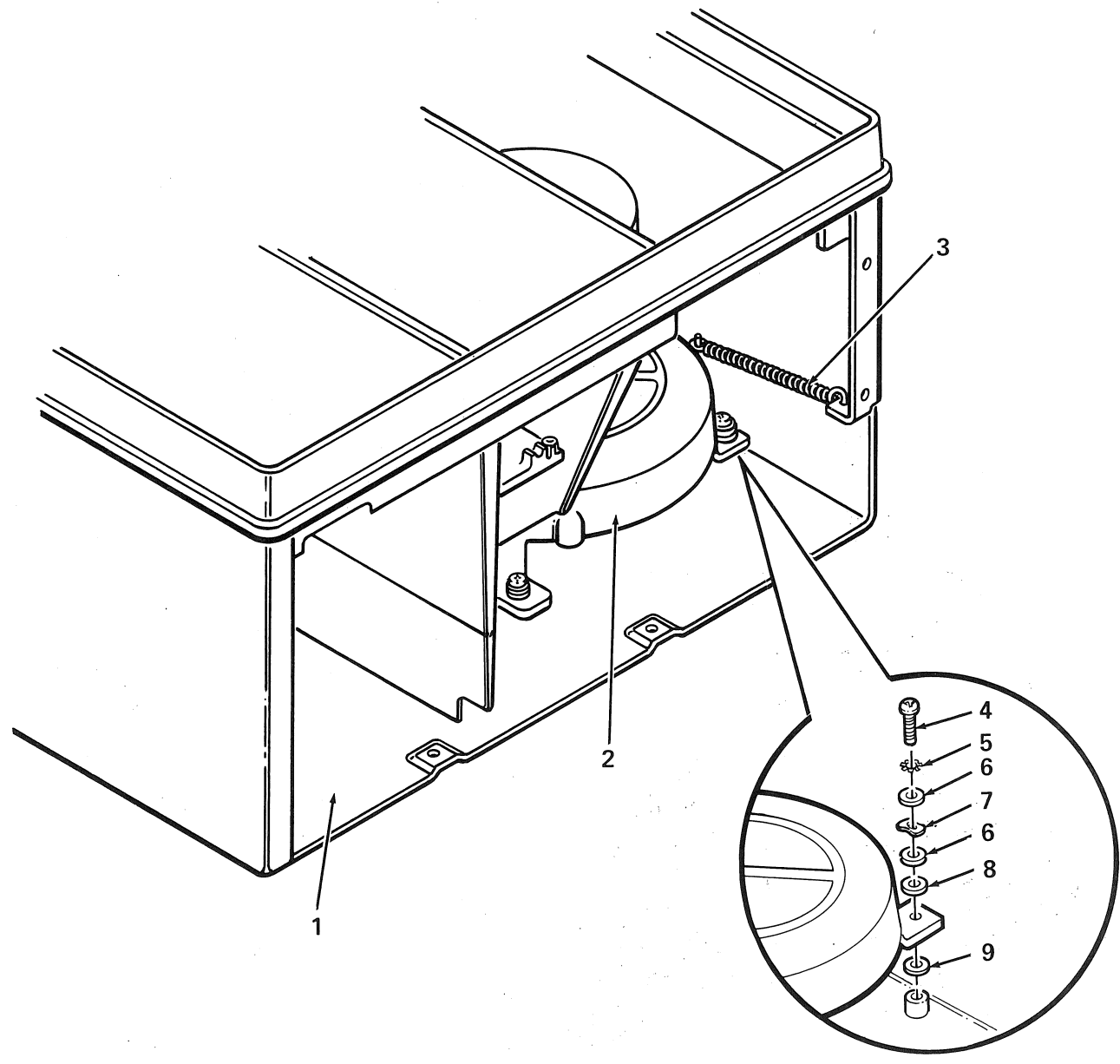
Figure 3. RL01 Disk Drive Assembly (Sheet 3 of 7)



©

RL01-03C

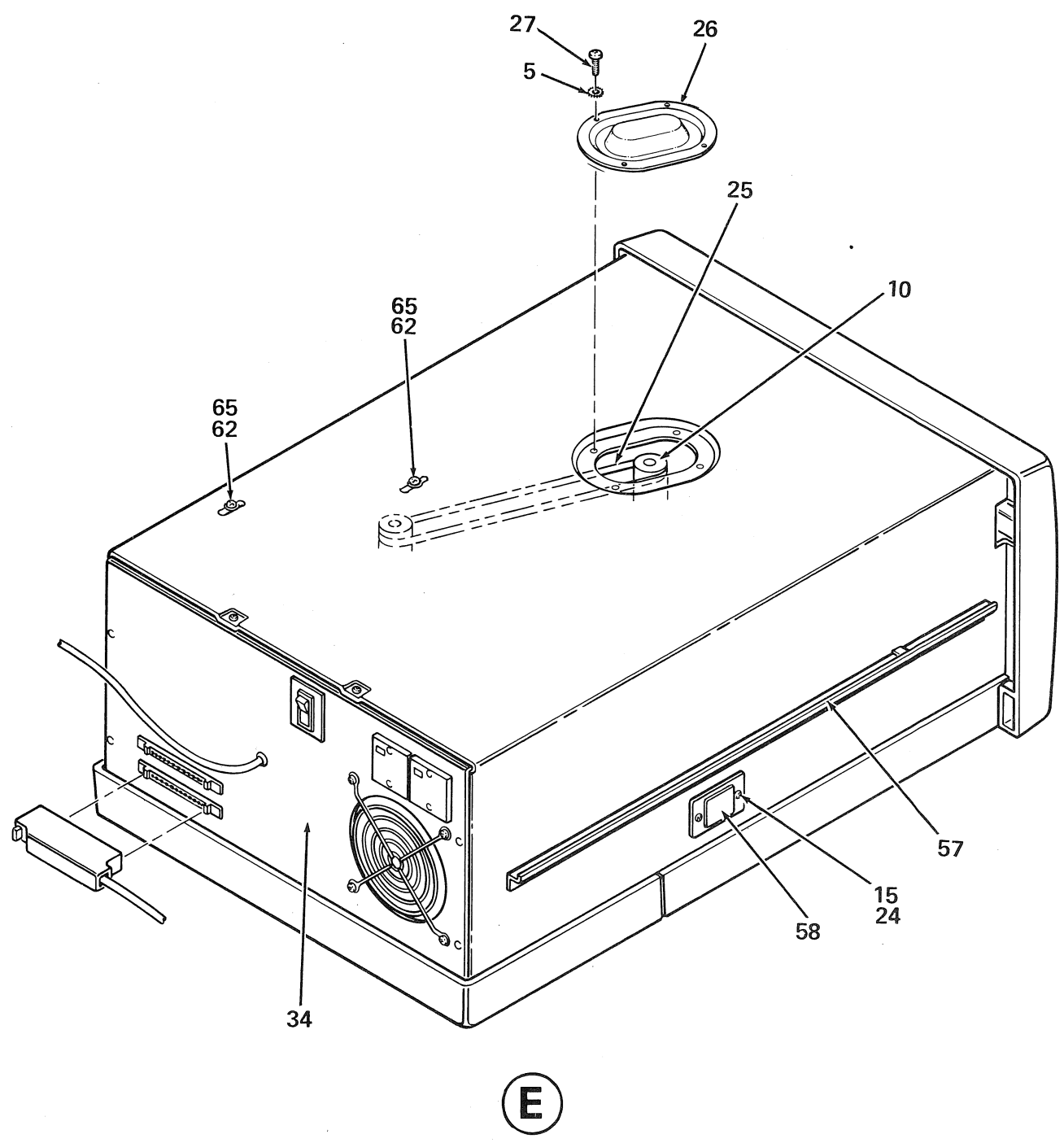
Figure 3. RL01 Disk Drive Assembly (Sheet 4 of 7)



D

RL01-03D

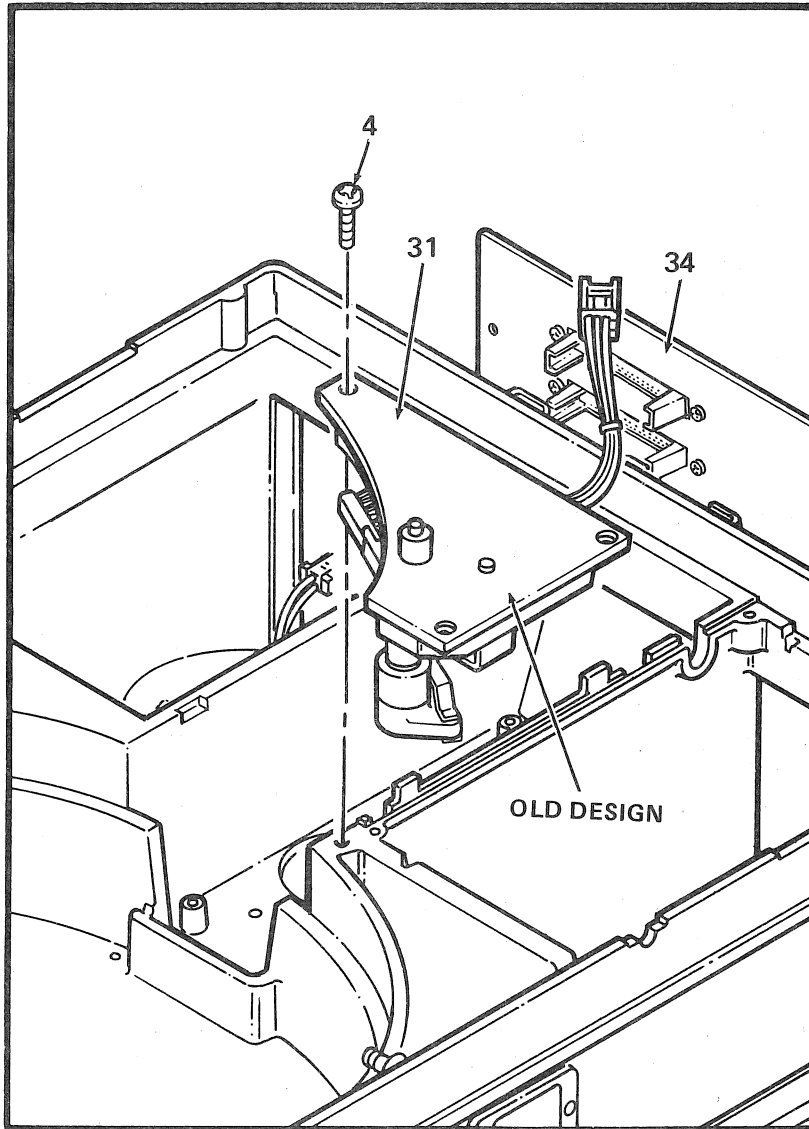
Figure 3. RL01 Disk Drive Assembly (Sheet 5 of 7)



E

RL01-03E

Figure 3. RL01 Disk Drive Assembly (Sheet 6 of 7)



F

RL01-03F

Figure 3. RL01 Disk Drive Assembly (Sheet 7 of 7)

FIG. & ITEM NO.	DESCRIPTION	DEC PART NO.	ECO CUT-IN RL01 00001	USED ON CODE	REF FIG NO.
3-	RL01 DISK DRIVE ASSEMBLY	RL01-00			2
1	*Main Chassis Assembly	70-12116-00			
2	*DISK MOTOR ASSEMBLY	70-12114-00			4
3	*Spring, Extension	12-14330-00			
4	*Screw, Phl Pan Hd No. 8-32 x 3/8 (deleted)	90-06037-01			
	*Screw, Sems Phl Pan Hd No. 8-32 x 3/8 (added)	90-00049-27	00052		
5	*Washer, External Tooth Lock No. 8 (deleted)	90-08072-00	00052		
6	*Washer, Flat No. 8	12-14359-00			
7	*Washer, Wave Spring	90-09885-00			
8	*Washer, Flat, 5/8 O.D. x 5/16 I.D.	90-09974-00			
9	*Washer, Flat, Teflon	90-09884-00			
10	*Spindle Assembly (deleted)	70-12120-00			
	*Spindle Assembly (added)	70-15116-00	00025		
11	*Screw, Phl Pan Hd No. 10-32 x 15/16 (deleted)	90-08955-01			
	*Screw, Sems Phl Pan Hd No. 10-32 x 15/16 (added)	90-09282-00	00052		
12	*Washer, Internal Tooth Lock No. 10 (deleted)	90-06635-00	00043		
13	*Roller (deleted)	74-19256-00	00022		
14	*E Ring (deleted)	90-09942-00	00022		
15	*Screw, Phl Pan Hd No. 6-32 x 5/16	90-06021-01			
16	*Washer, External Tooth Lock No. 6 (deleted)	90-07649-00	00052		
17	*Transducer Assembly	70-12137-00			
18	*Cable Clamp	90-07079-00			
19	*Washer, Flat No. 6 (deleted)	90-06653-00	00052		
20	*Screw, Phl Pan Hd No. 6-32 x 7/16 (deleted)	90-06023-01			
	*Screw, Phl Pan Hd No. 6-32 x 1/2 (added)	90-06024-01	00022		
	*Screw, Phl Pan Hd No. 6-32 x 1/2 (deleted)	90-06024-01			
	*Screw, Sems Phl Pan Hd No. 6-32 x 5/16 (added)	90-00049-21	00052		
21	*Washer, Internal Tooth Lock No. 6 (deleted)	90-06634-00	00052		
22	*Washer, Flat No. 6 (deleted)	90-06660-00	00052		
23	*Screw, Phl Pan Hd No. 6-32 x 3/8 (deleted)	90-06022-01			
	*Screw, Sems Phl Pan Hd No. 6-32 x 3/8 (added)	90-00049-23	00052		
24	*Washer, Internal Tooth Lock No. 8 (deleted)	90-06633-00	00052		
25	*Belt, Disk Drive	12-13369-00			
26	*Hatch	74-17450-00			
27	*Screw, Phl Pan Hd No. 8-32 x 1/4 (deleted)	90-06035-01			
	*Screw, Sems Phl Pan Hd No. 8-32 x 1/4 (added)	90-00049-26	00052		
28	*Positioner Assembly	70-12117-00			
29	*Head Assembly (A DOWN)	70-17178-01			
30	*Head Assembly (A UP)	70-17178-00			
31	*BRUSH DRIVE ASSEMBLY (deleted)	70-12112-00			5
	*SWITCH COVER ASSEMBLY (added)	70-16991-00	00048		5A
32	*READ/WRITE BOX ASSEMBLY (deleted)	70-12118-00			6
	*READ/WRITE BOX ASSEMBLY (added)	70-15124-00	00049		6A

FIG. & ITEM NO.	DESCRIPTION	DEC PART NO.	ECO CUT-IN RL01 00001	USED ON CODE	REF FIG NO.
3-					
33	*Screw, Phi Pan Hd No. 8-32 x 1/2 (deleted)	90-06039-01			
	*Screw, Sems Phi Pan Hd No. 8-32 x 3/8 (added)	90-00049-28	00052		
34	*POWER PANEL ASSEMBLY	70-12130-00			7
35	*Screw, Phi Pan Hd No. 8-32 x 7/16 (deleted)	90-06038-01			
	*Screw, Sems Phi Pan Hd No. 6-32 x 1/2 (added)	90-10174-03	00052		
36	*AC Servo Module	54-11848-00			
37	*Cover, AC Servo	74-15303-00			
38	*Label, Adhesive Backed (deleted)	36-14783-00			
	*Label, "Caution" (added)	36-20191-01	00055		
39	*Servo, Power Module (deleted)	54-11850-00			
	*Servo, Power Module (added)	54-13534-00	00040		
40	*Cover, Servo Board (deleted)	74-18588-00			
	*Cover, Servo Board (added)	74-20826-00	00040		
41	*INTERCONNECT CABLE ASSEMBLY (deleted)	70-14262-00			10
	*Interconnect Cable Assembly (added)	70-12139-0M	00052		
42	*Interconnect Cable	70-12139-0F			
43	*D.C. Power Harness Assembly	70-12140-00			
44	*Interconnect Cable	70-12107-3D			
45	*REAR COVER ASSEMBLY (deleted)	70-12119-00			11,11A
	*REAR COVER ASSEMBLY (added)	70-15125-00	00052		11B
46	*Bracket, Latch	74-16865-00			
47	*Screw, Flat Hd No. 8-32 x 3/8	90-09759-00			
48	*Air Filter (deleted)	12-13097-03			
	*Air Filter (added)	12-13097-00	00039		
49	*Bracket, Plenum	74-17454-00			
50	*Latch, Plenum	74-17455-00			
51	*Pad, Filter	74-15297-00			
52	*Retainer, Cable	74-16335-00			
53	*Cover, Plenum	74-15094-00			
54	*Spring, Plenum Cover	74-15101-00			
55	*BEZEL ASSEMBLY	70-12111-00			12
56	*Screw, Self Tap No. 8 x 1/2 (deleted)	90-09514-02	RL01-A 00002		
	*Screw, Self Tap Phi Pan Hd No. 8-32 x 3/8 (added)	90-06418-01	00043		
57	*Rail, Slide Mounting	12-13686-01			
58	*Access Cover Assembly (deleted)	70-12128-00	00050		
59	*FRONT COVER ASSEMBLY	70-12115-00			14
60	*Shield, Positioner (added)	70-19264-00	00009		
	*Shield, Positioner (deleted)	70-19264-00			
	*Shield, Positioner (added)	74-20068-00	00010		
61	*Shim, Latch .01 in. Thk (added)	74-20084-00	00012		
	*Shim, Latch .02 in. Thk (added)	74-20084-01	00012		

FIG. & ITEM NO.	DESCRIPTION	DEC PART NO.	ECO CUT-IN RL01 00001	USED ON CODE	REF FIG NO.
3-					
62	*Screw, Phl Pan Hd No. 8-32 x 5/8 (added)	90-06040-01	00025		
	*Screw, Phl Pan Hd No. 8-32 x 5/8 (deleted)	90-06040-01			
	*Screw, Sems Truss Phl Hd No. 8-32 x 1/2 (added)	90-00049-05	00052		
63	*Insulator, Head Cable (added)	74-22834-00	00035		
64	*Interconnect Cable Assembly (added)	70-12123-00	00052		
65	*Washer, Internal Tooth Lock No. 8 (added)	90-09023-00	00052		
66	*Guide, Hinge Bracket (added)	74-21977-00	00055		
	LABEL/DECALS (Not Shown)				
	*Decal, "U.L."	74-16197-00			
	*Decal, "CSA"	36-13211-01			
	*Decal, Adhesive Backed	36-13209-03			
	*Label, "RL01 Cartridge Caution" (added)	36-15687-00	00021		
	*Label, "Attention Hardware" (added)	36-18098-01	00047		
	*Label, "Serial & Power, Universal" (added)	36-17674-00	00052		

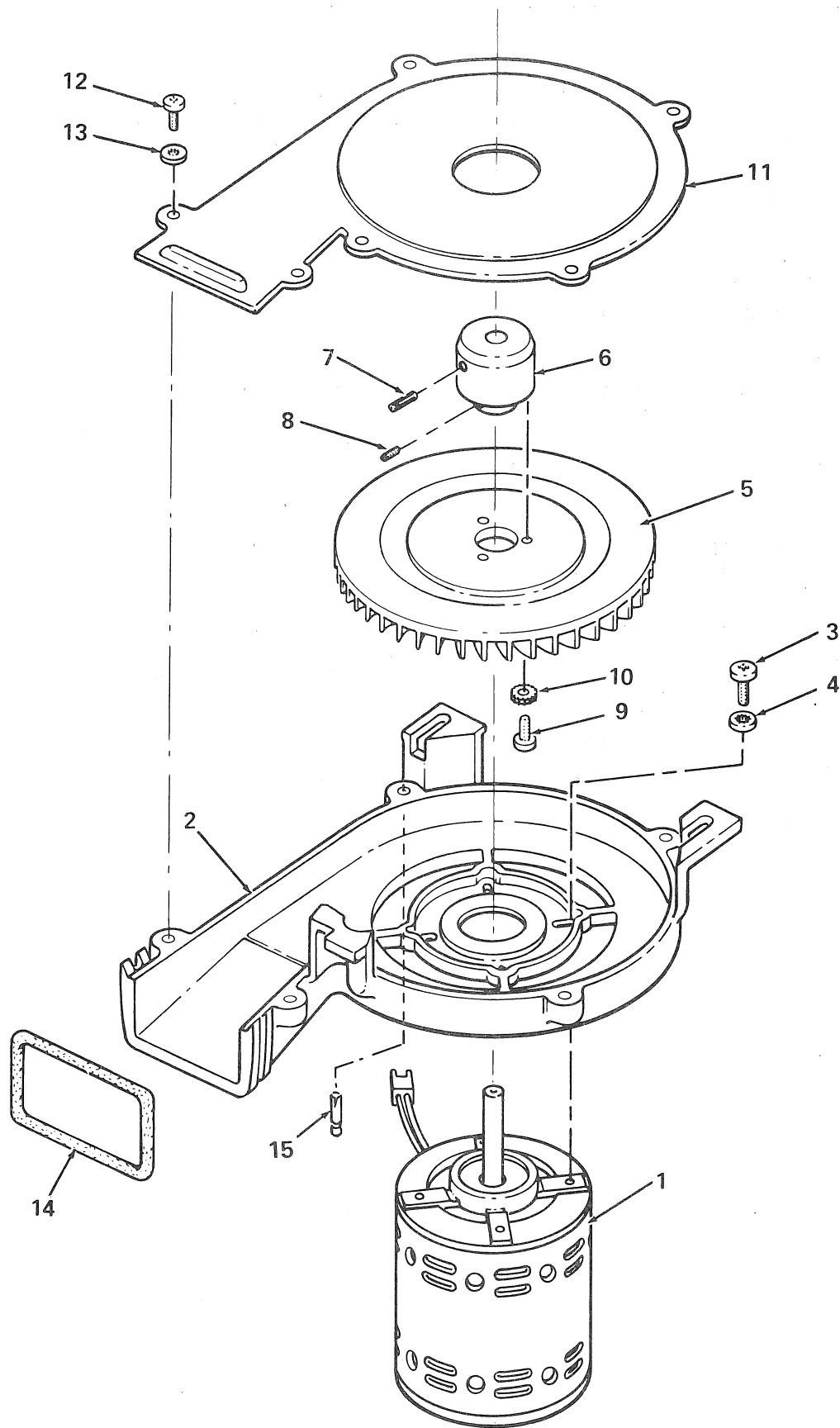
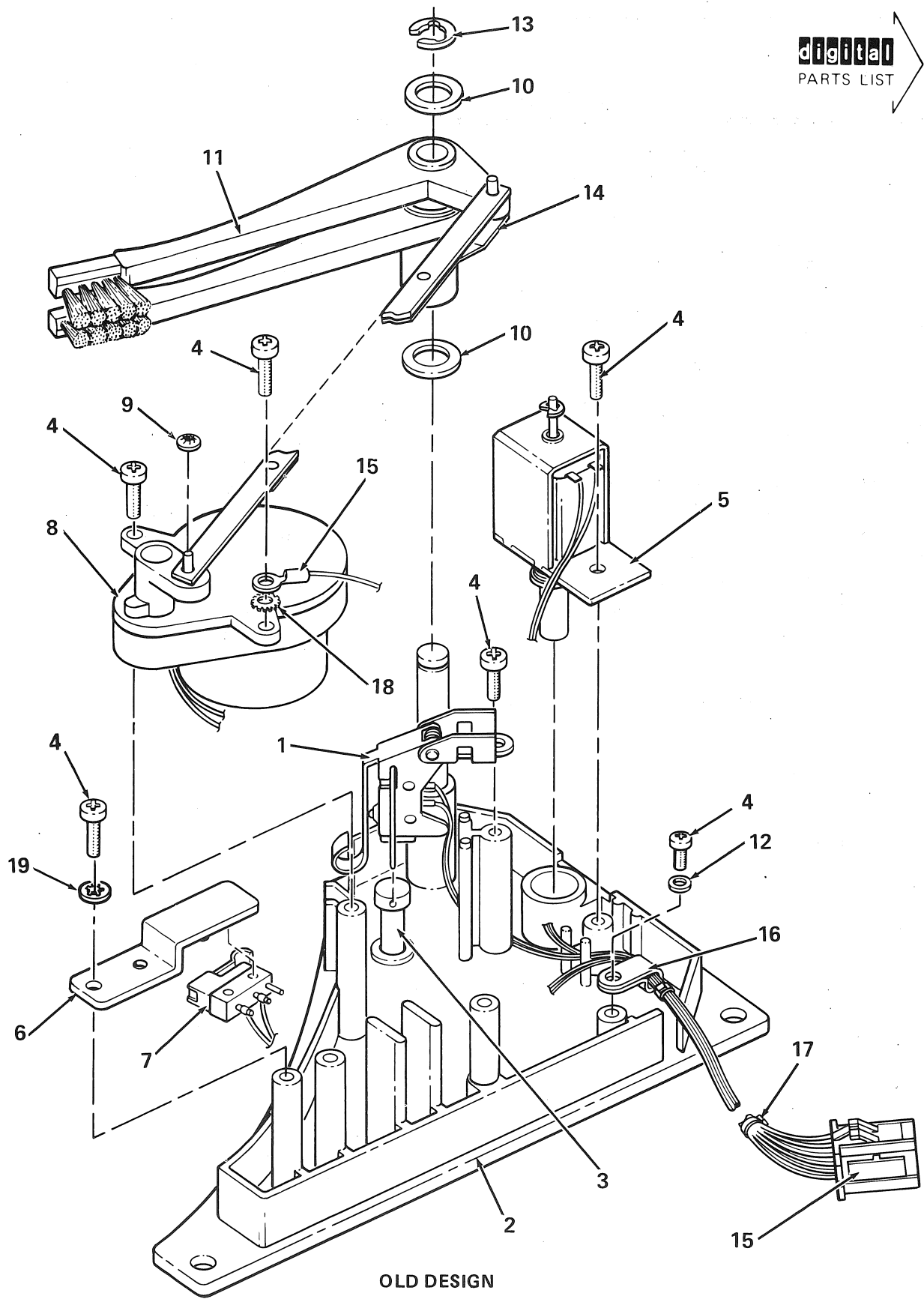


Figure 4. Disk Motor Assembly

RL01-04

FIG. & ITEM NO.	DESCRIPTION	DEC PART NO.	ECO CUT-IN 70-12114 00000	USED ON CODE	REF FIG NO.
4-	DISK MOTOR ASSEMBLY	70-12114-00			3
1	*MOTOR, 115V	12-13186-00			
2	*Housing, Blower (deleted)	74-17460-00			
	*Housing, Blower (added)	70-15222-00	00003		
3	*Screw, Phl Pan Hd No. 10-32 x 7/16	90-06072-01			
4	*Washer, Internal Tooth Lock No. 10	90-06635-00			
5	*Impeller	74-15221-00			
6	*Pulley, Motor	74-15097-00			
7	*Screw, Set No. 8-32 x 1/4 (deleted)	90-08397-10			
	*Screw, Set Nylock No. 8-32 x 1/4 (added)	90-09778-00	RL01 00027		
	*Screw, Set Nylock No. 8-32 x 1/4 (deleted)	90-09778-00	00005		
8	*Screw, Set No. 8-32 x 7/16 (deleted)	90-00044-06	00002		
9	*Screw, Phl Pan Hd No. 8-32 x 3/8	90-06037-01			
10	*Washer, External Tooth Lock No. 8	90-08072-00			
11	*Cover, Housing	74-17452-00			
12	*Screw, Self Tapping, Phl Pan Hd No. 6-32 x 1/4 (deleted)	90-06620-01			
	*Screw, Phl Pan Hd Self Tapping No. 6-32 x 1/4 (added)	90-08408-01	RL01 00025		
	*Screw, Phl Pan Hd Self Tapping No. 6-32 x 1/4 (deleted)	90-08408-01			
	*Screw, Phl Pan Hd No. 6-32 x 1/4 (added)	90-09905-00	00004		
13	*Washer, Internal Tooth Lock No. 6	90-06633-00			
14	*Gasket, Blower	74-15231-00			
15	*Pin, Grooved	90-09992-00			

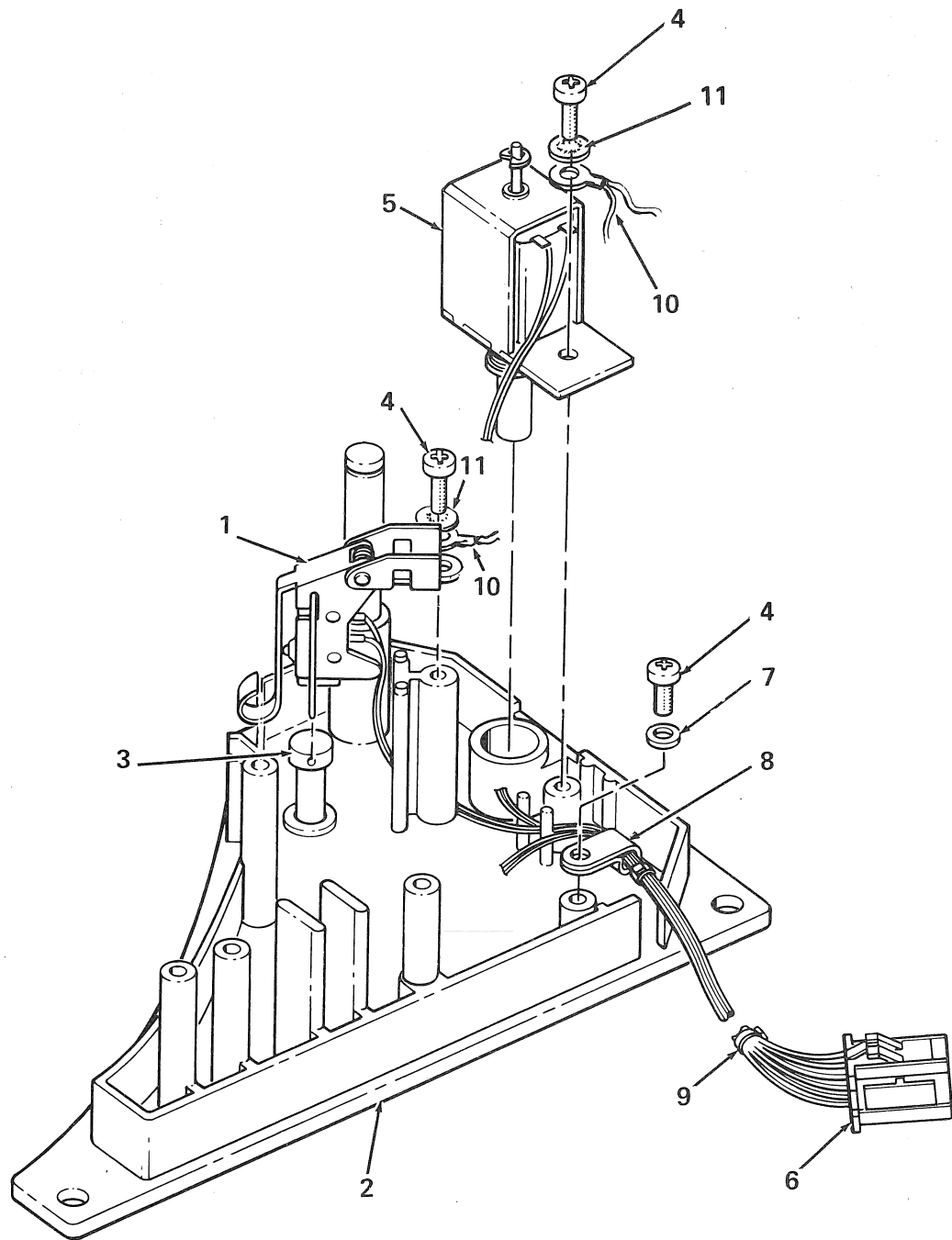


OLD DESIGN

RL01-05

Figure 5. Brush Drive Assembly

FIG. & ITEM NO.	DESCRIPTION	DEC PART NO.	ECO CUT-IN 70-12112 00000	USED ON CODE	REF FIG NO.
5-	BRUSH DRIVE ASSEMBLY (deleted) (See Figure 5A for Latest Design)	70-12112-00	RL01 00048		3
1	*CARTRIDGE SENSE SWITCH ASSEMBLY	70-12132-00			
2	*Cover, Brush Drive	74-15224-00			
3	*Plunger, Cartridge Sense	74-16858-00			
4	*Screw, Self Tap No. 6 x .31 (deleted)	90-09800-02			
	*Screw, Self Tap No. 6 x .38 (added)	90-09800-06	00003		
5	*Solenoid, Cover Lock	12-13204-00			
6	*Bracket, Switch	74-15229-00			
7	*Switch	12-14011-00			
8	*MOTOR CRANK ASSEMBLY	70-14261-00			
9	*Pushnut Fastner	90-09865-00			
10	*Washer	90-09868-00			
11	*Brush and Holder Assembly (added)	70-16726-00	00004		
12	*Washer, Flat No. 6 (added)	90-06653-00	00002		
13	*Retainer	90-09866-00			
14	*Brush Drive Link Assembly (deleted)	74-18583-00			
	*Brush Drive Link Assembly (added)	74-18589-00	00006		
15	*BRUSH DRIVE HARNESS ASSEMBLY	70-12126-00			
16	*Cable Clamp	90-07082-00			
17	*Tie Wrap	90-07031-00			
18	*Washer, External Tooth Lock No. 6	90-07649-00			
19	*Washer, Internal Tooth Lock No. 6 (added)	90-06633-00	00005		

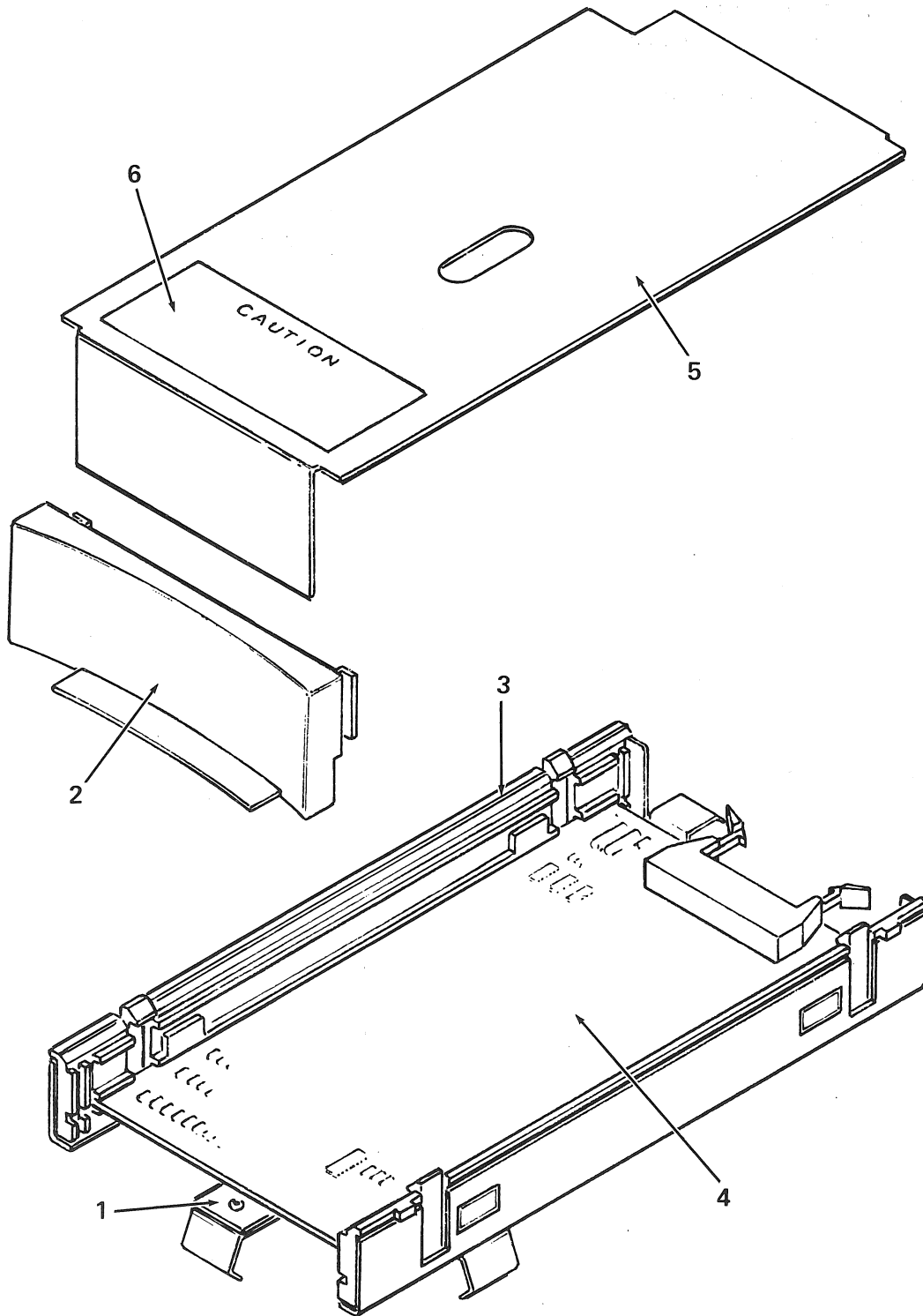


NEW DESIGN

RL01-05A

Figure 5A. Switch Cover Assembly

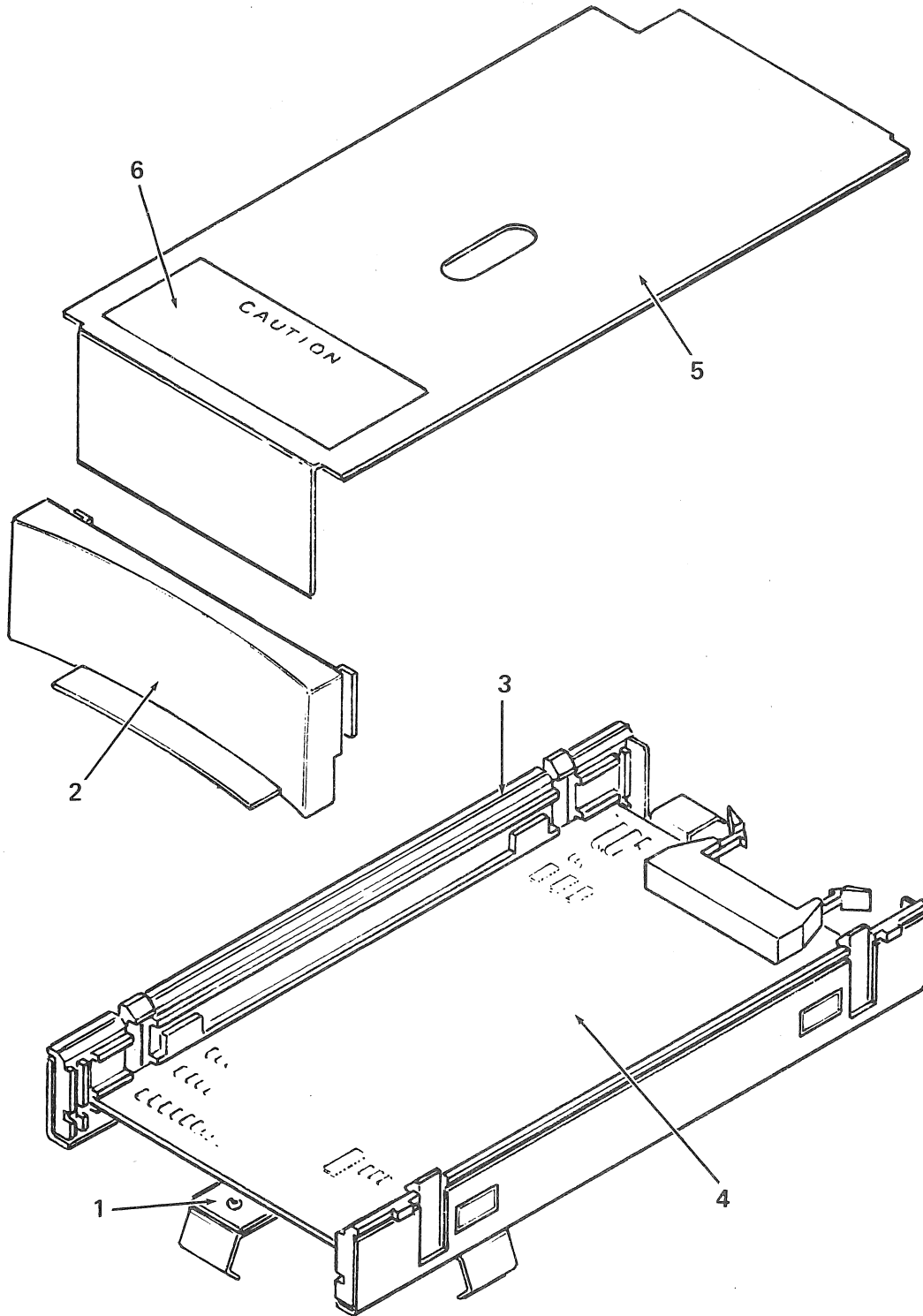
FIG. & ITEM NO.	DESCRIPTION	DEC PART NO. ^C	ECO CUT-IN RL01 00048	USED ON CODE	REF FIG NO.
5A-	SWITCH COVER ASSEMBLY (added) (New Design)	70-16991-00	00048		3
1	*Cartridge Sense Switch Assembly	70-12132-00			
2	*Cover, Switch	74-15224-00			
3	*Plunger, Cartridge Sense	74-16858-00			
4	*Screw, Phl Pan Hd No. 6-32 x 3/8	90-09800-06			
5	*Solenoid, Cover Lock	12-13204-00			
6	*Cover Switch Harness Assembly	70-17333-00			
7	*Washer, Flat 3/8 O.D. x 5/32	90-06553-00			
8	*Cable Clamp	90-07081-00			
9	*Cable Tie	90-07031-00			
10	*Ground, Solenoid/Cartridge Switch (added)	70-22278-01	RL02 00025		
11	*Internal Tooth Lock, 9/32 O.D. x 9/64 I.D. (added)	90-06633-00	RL02 00025		



RL01-06

Figure 6. Read/Write Box Assembly

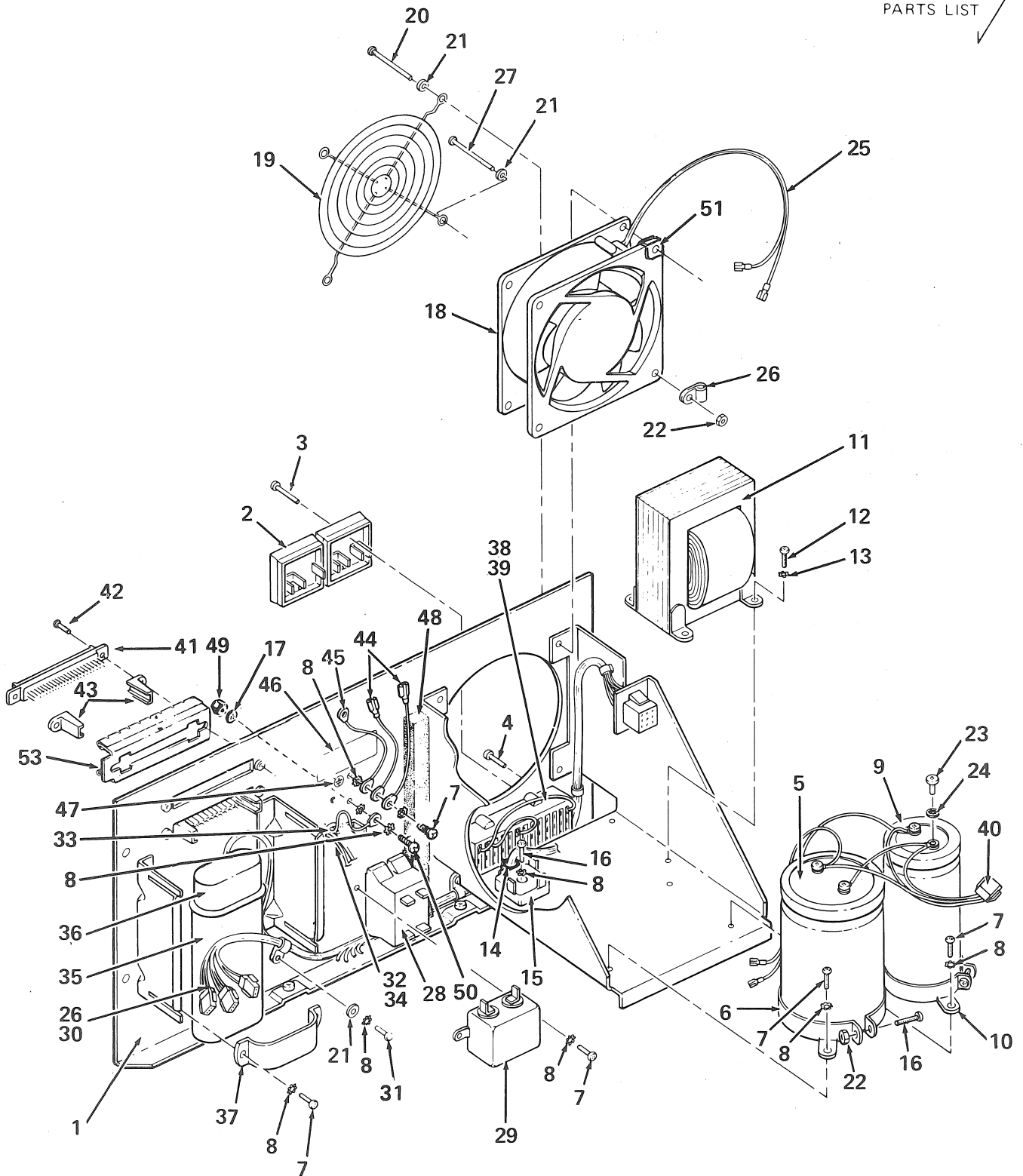
FIG. & ITEM NO.	DESCRIPTION	DEC PART NO.	ECO CUT-IN 70-12118 00001	USED ON CODE	REF FIG NO.
6-	READ/WRITE BOX ASSEMBLY (deleted) (See Figure 6A for Latest Design)	70-12118-00	RL01 00049		3
1	*Pan Assembly, Read/Write Box	74-18594-00			
2	*Front, R/W Box	74-16329-00			
3	*Guide, R/W Box	74-16330-00			
4	*READ/WRITE MODULE	54-11844-00			
5	*Cover, R/W Box	74-15084-00			
6	*Label, Adhesive Backed	36-14782-00			



RL01-06

Figure 6A. Read/Write Box Assembly

FIG. & ITEM NO.	DESCRIPTION	DEC PART NO.	ECO CUT-IN RL01 00049	USED ON CODE	REF FIG NO.
6A-	READ/WRITE BOX ASSEMBLY (added) Latest Design 1 *Pan Assembly, Read/Write Box 2 *Front, R/W Box 3 *Guide, R/W Box 4 *RL02 Read/Write Module Assembly 5 *Cover, R/W Box 6 *Label, Adhesive Backed	70-15124-00 74-18594-00 74-16329-00 74-16330-00 54-13536-00 74-15084-00 36-14782-00	RL01 00049		3



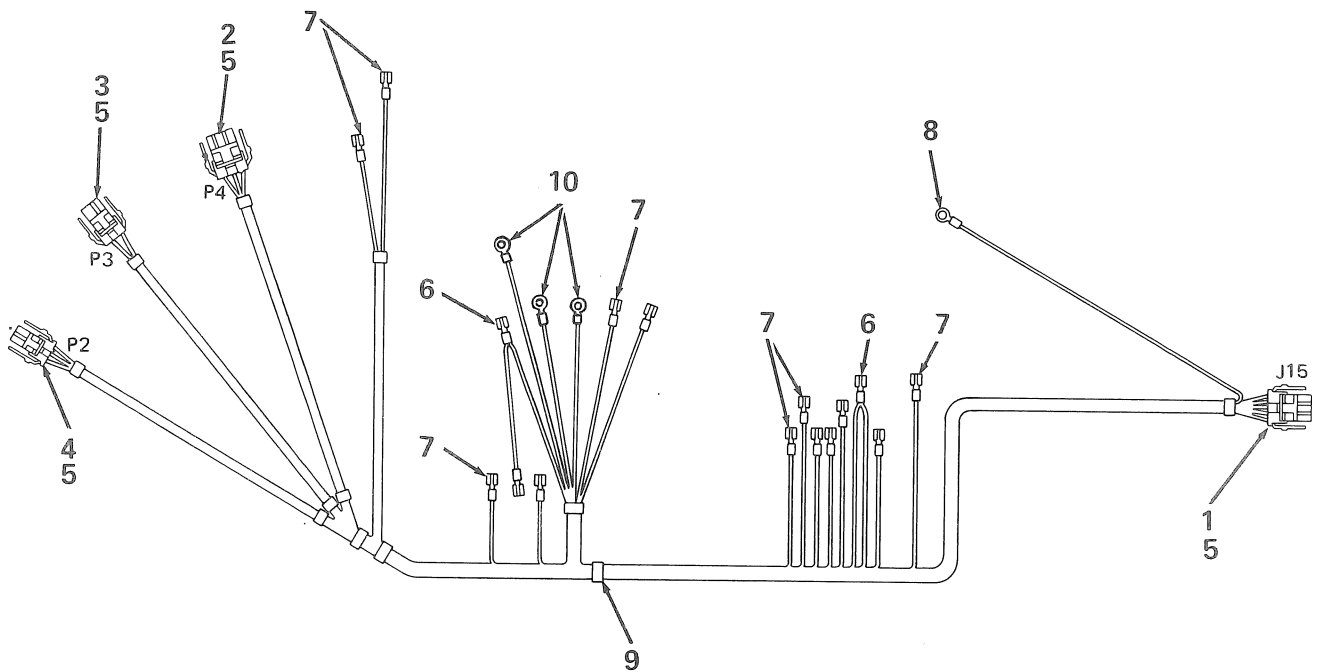
RL01-07

Figure 7. Power Panel Assembly

FIG. & ITEM NO.	DESCRIPTION	DEC PART NO.	ECO CUT-IN 70-12130 00002	USED ON CODE	REF FIG NO.
7-	POWER PANEL ASSEMBLY	70-12130-00			3
1	*Chassis, Power Supply	74-16326-00			
2	*Terminal Block Assembly (deleted)	70-12127-01			
	*Terminal Block Assembly (added)	70-12127-00	00003		
3	*Screw, Plastite No. 6 x 5/16 (deleted)	90-09800-02			
	*Screw, Plastite No. 6 x 3/8 (added)	90-09800-06	RL01 00009		
4	*Screw, Plastite No. 6 x .875	90-09800-01			
5	*Capacitor, 66,000 MFD 30V	10-13530-00			
6	*Bracket, Capacitor	12-10431-00			
7	*Screw, Phl Pan Hd No. 6-32 x 1/4	90-06020-01			
8	*Washer, External Tooth No. 6	90-07649-00			
9	*Capacitor, 20,000 MFD 40V	10-13531-00			
10	*Bracket, Capacitor	12-10430-00			
11	*Transformer	16-13897-00			
12	*Screw, Phl Pan Hd No. 8-32 x 5/16	90-06036-01			
13	*Washer, External Tooth Lock No. 8	90-08072-00			
15	*Grommet	90-07016-00			
15	*Diode Assembly	11-10051-00			
16	*Screw, Phl Pan Hd No. 6-32 x 7/16	90-06023-01			
17	*Washer, Internal Tooth Lock No. 6	90-06633-00			
18	*Fan (deleted)	12-09403-01			
	*Fan (added)	12-09403-06	RL02 00016		
19	*Grill, Fan	12-10263-00			
20	*Screw, Phl Pan Hd No. 6-32 x 7/8	90-06027-01			
21	*Washer, Flat No. 6	90-06653-00			
22	*Nut, Kep No. 6-32 (deleted)	90-09030-00			
	*Nut, Kep No. 6-32 (added)	90-06560-00	00005		
23	*Screw, Phl Pan Hd No. 10-32 x 1/4 (deleted)	90-08007-01			
	*Screw, Phl Pan Hd No. 10-32 x 5/16 (added)	90-06070-01	00007		
24	*Washer, Internal Tooth Lock No. 10	90-06635-00			
25	*Cable, Fan	70-12110-00			
26	*Cable Clamp	90-07082-00			
27	*Screw, Phl Pan Hd No. 6-32 x 1.00 (deleted)	90-06028-01	RL02 00016		
28	*Circuit Breaker (deleted)	12-14360-00			
	*Circuit Breaker (added)	12-16827-00	00010		
29	*Line Filter (deleted)	12-12877-00			
	*Line Filter 115/250V 47-400 Hz (added)	12-15360-00	RL02 00010		
	*Line Filter 115/250V 47-400 Hz (deleted)	12-15360-00			
	*RFI Filter (added)	12-18468-00	RL02 00016		

FIG. & ITEM NO.	DESCRIPTION	DEC PART NO.	ECO CUT-IN 70-12130 00002	USED ON CODE	REF FIG NO.
7-					
30	*POWER PANEL HARNESS ASSEMBLY	70-12108-00			8
31	*Screw, Phl Pan Hd No. 6-32 x 5/16	90-06021-01			
32	*Line Cord (deleted)	70-12109-00	RL02 00016		
33	*Strain Relief (deleted)	90-09768-01	RL02 00016		
34	*Terminal, 2 Blade (deleted)	90-07113-00	00012		
35	*Motor Capacitor	10-13102-00			
36	*Insulated Motor Cap	12-13683-00			
37	*Bracket, Motor Capacitor	12-13156-01			
38	*Cable, Terminal Board Interconnect	70-12125-0B			
39	*Cable, Terminal Board Interconnect	70-12125-0E			
40	*POWER HARNESS	70-12142-00			9
41	*Receptacle	12-11591-35			
42	*Screw, Phl Pan Hd No. 4-40 x 1/4 (deleted)	90-06397-05			
	*Screw, Phl Pan Hd No. 4-40 x 1/4 (added)	90-08301-01	00012		
43	*Guide, Receptacle	12-11591-38			
44	*Ground Harness (added)	70-17608-00	00012		
45	*Ground Harness (added)	70-17609-00	00012		
46	*Label, Power Supply (added)	90-09255-00	00012		
47	*Decal, Ground (added)	36-12680-00	00013		
48	*Tape, Foam, 1/2 W x 1/4 Thk (added)	90-09059-01	RL02 00016		
49	*Nut, Hex 6-32 x 1/4 (added)	90-08957-01	RL02 00016		
50	*Screw, Phl Pan Hd, No. 6-32 x 5/8 (added)	90-06025-01	RL02 00016		
51	*Clip, Fan Mounting (added)	90-09165-00	RL02 00016		
52	*Terminal, Ring #1 Position, Insulated (added)	90-07929-00	RL02 00016		
53	*Receptacle, Cable, 40-Pin (added)	70-20527-01	RL02 00023		
	Power Cord (Not Shown)				
	*Cord, Power, 3-14 SJT, 60 Hz (added)	17-00083-03	RL02 00016		

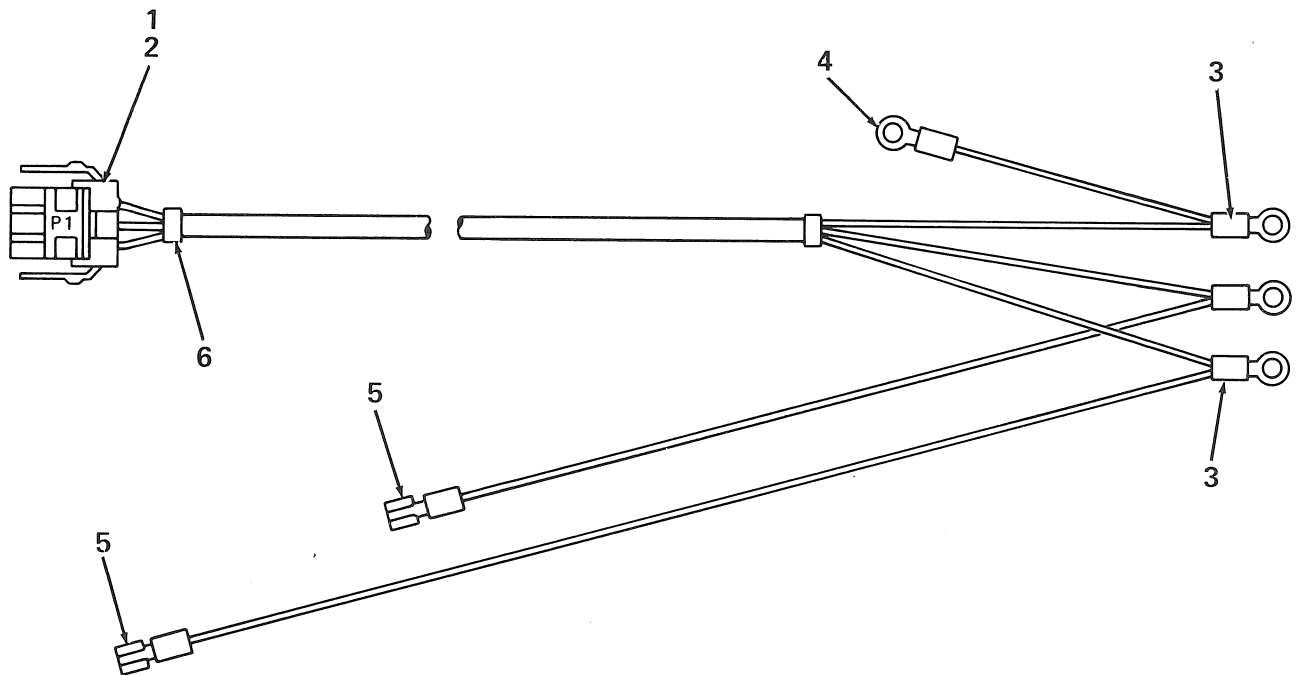
FIG. & ITEM NO.	DESCRIPTION	DEC PART NO.	ECO CUT-IN 70-12108 00001	USED ON CODE	REF FIG NO.
8-	POWER PANEL HARNESS ASSEMBLY	70-12108-00			7
1	*Connector, (J15) Housing 9 Pin Mate-N-Lok	12-13923-04			
2	*Connector, (P4) Housing 6 Pin Mate-N-Lok	12-13923-05			
3	*Connector, (P3) Housing 3 Pin Mate-N-Lok	12-13923-01			
4	*Connector, (P2) Housing 2 Pin Mate-N-Lok	12-13923-00			
5	*Terminal, Female Socket (J15, P2, P3, P4) (deleted)	12-13927-00			
	*Terminal, Female Socket (J15, P2, P3, P4) (added)	12-13927-02	00004		
6	*Terminal, Quick Disconnect	90-07969-00			
7	*Terminal, Quick Disconnect	90-07970-00			
8	*Terminal, Ring No. 10	90-07930-00			
9	*Tie Wrap	90-07031-00			
10	*Terminal, Ring (added)	90-07929-00	00003		



RL01-08

Figure 8. Power Panel Harness Assembly

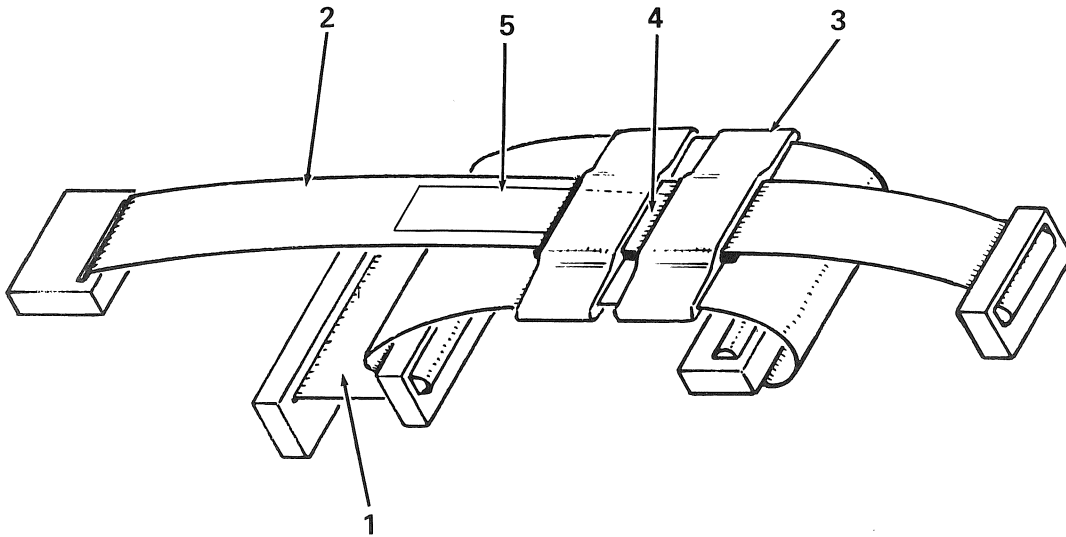
FIG. & ITEM NO.	DESCRIPTION	DEC PART NO.	ECO CUT-IN 70-12142 00000	USED ON CODE	REF FIG NO.
9-	POWER HARNESS	70-12142-00	RL02 00016		7
1	*Connector, (P1) Housing 3 Pin Mate-N-Lok	12-13923-01			
2	*Terminal, (P1) Socket	12-13927-00			
3	*Terminal, Ring No. 10 (Blue)	90-07928-00			
4	*Terminal, Ring No. 10 (Red)	90-07930-00			
5	*Terminal, Quick Disconnect	90-07970-00			
6	*Tie Wrap	90-07031-00			



RL01-09

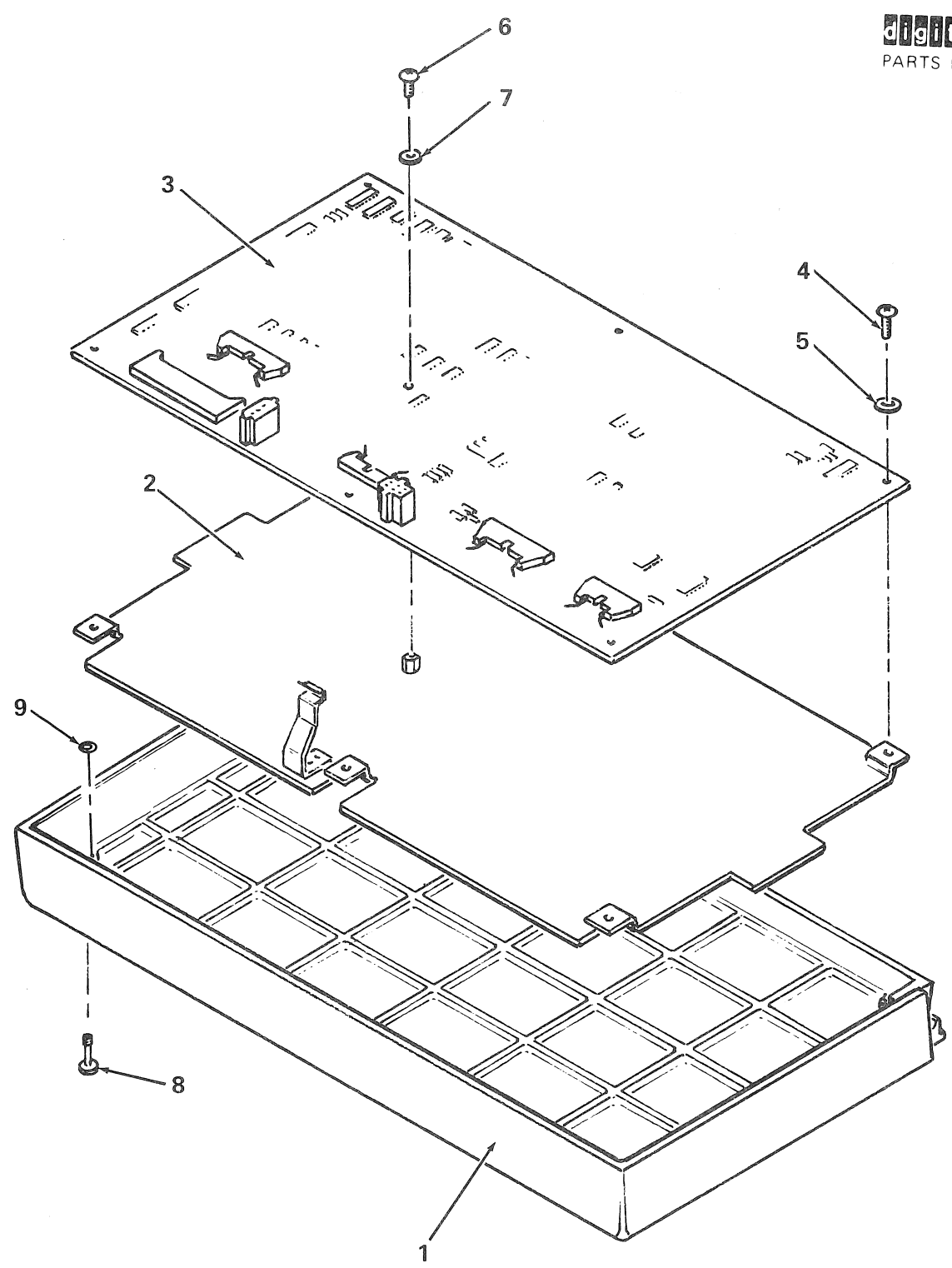
Figure 9. Power Harness

FIG. & ITEM NO.	DESCRIPTION	DEC PART NO.	ECO CUT-IN 70-14262 00000	USED ON CODE	REF FIG NO.
10-	INTERCONNECT CABLE ASSEMBLY (deleted)	70-14262-00	RL02 00016		3
1	*Logic Interconnect Cable	70-12123-0H			
2	*Interconnect Cable	70-12139-0M			
3	*Tape, Vinyl	90-09507-00			
4	*Foam Tape	90-08881-00			
5	*Label, Paper Form Feed (added)	36-15710-00	00002		



RL01-10

Figure 10. Interconnect Cable Assembly

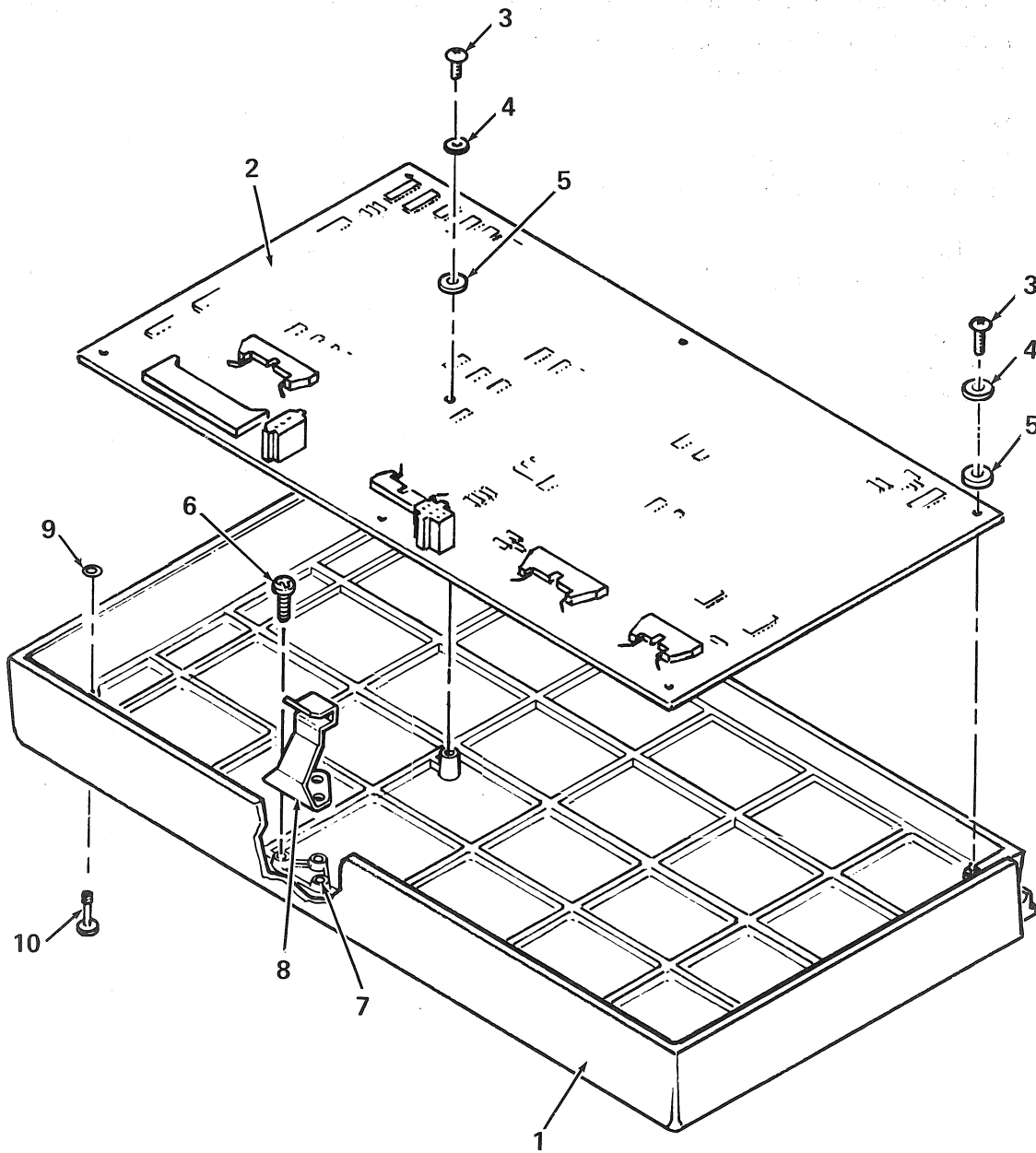


OLD DESIGN

RL01-11

Figure 11. Rear Cover Assembly

FIG. & ITEM NO.	DESCRIPTION	DEC PART NO.	ECO CUT-IN 70-12119 00001	USED ON CODE	REF FIG NO.
11-	REAR COVER ASSEMBLY (Old Design) (deleted) (See Figure 11A for New Design)	70-12119-00	RL01 00053		3
1	*Cover, Rear	74-16847-00			
2	*Shield, Cover	74-17449-00			
3	*LOGIC DRIVE MODULE	54-12175-00			
4	*Screw, Phl Pan Hd Self Tapping No. 8 x .38	90-09800-04			
5	*Washer, Flat No. 8	90-06660-00			
6	*Screw, Phl Pan Hd No. 6-32 x .38	90-06022-01			
7	*Washer, Flat Nylon No. 6	90-06707-00			
8	*Screw, Captive	12-13818-00			
9	*"O" Ring (added)	90-09316-00	00003		



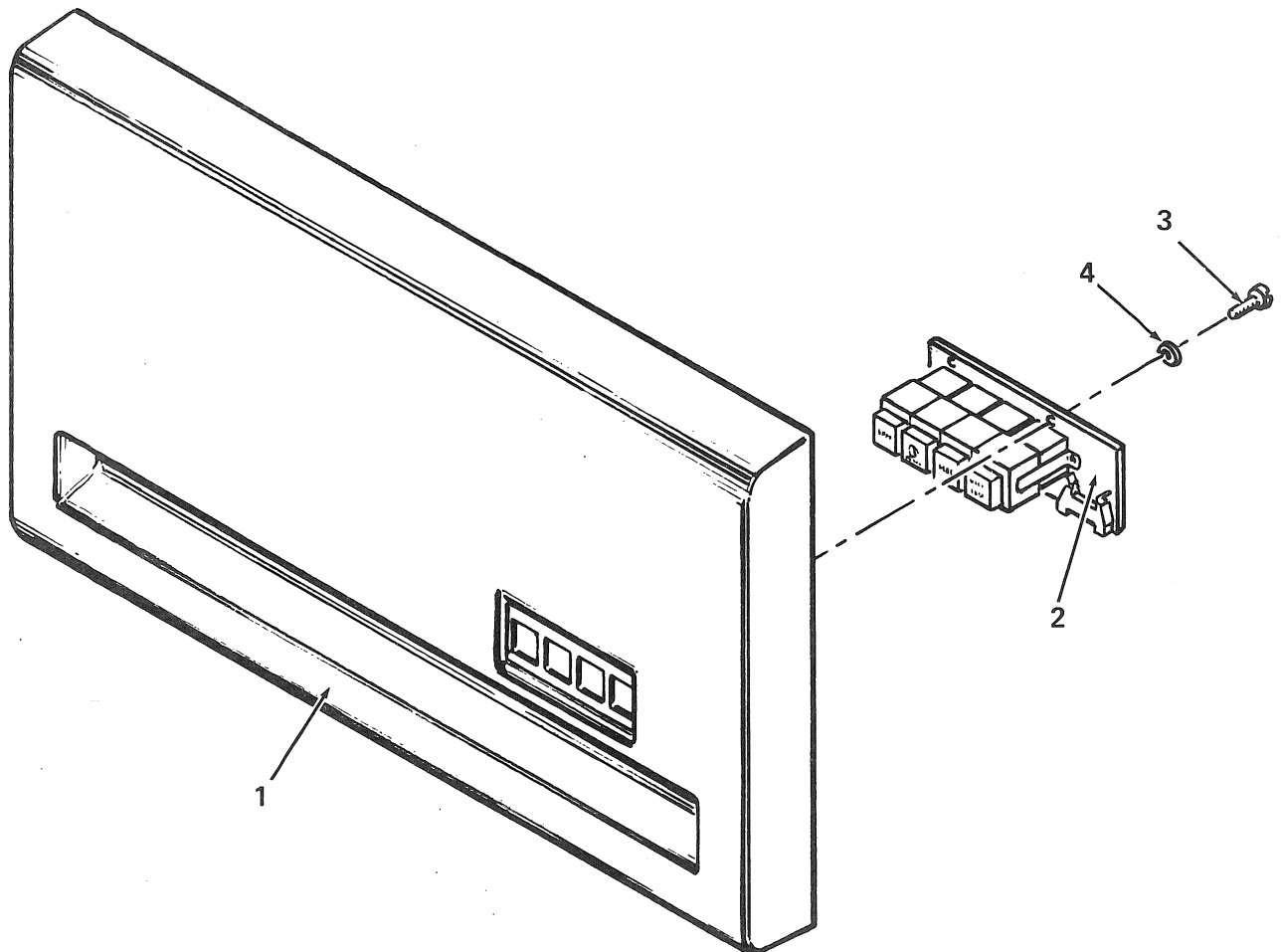
NEW DESIGN

RL01-11A

Figure 11A. Rear Cover Assembly

FIG. & ITEM NO.	DESCRIPTION	DEC PART NO.	ECO CUT-IN RL01 00049	USED ON CODE	REF FIG NO.
11B-	REAR COVER ASSEMBLY (added) (Latest Design)	70-15125-00	00053		3
1	*Cover, Rear	74-16847-00			
2	*Logic Drive Module Assembly	54-14025-00			
3	*Screw, Phl Pan Hd No. 8-32 Self Tapping	90-09800-04			
4	*Washer, Flat No. 8	90-06660-00			
5	*Washer, Flat Nylon	90-06708-00			
6	*Screw, Phl Pan Hd No. 4-40 x 3/16	90-08032-01			
7	*Insert, Flanged (deleted)	90-10101-00	70-15125		
8	*Clip, Rear Cover	74-15083-00	00001		
9	*''O'' Ring	90-09316-00			
10	*Screw, Captive	12-13818-00			

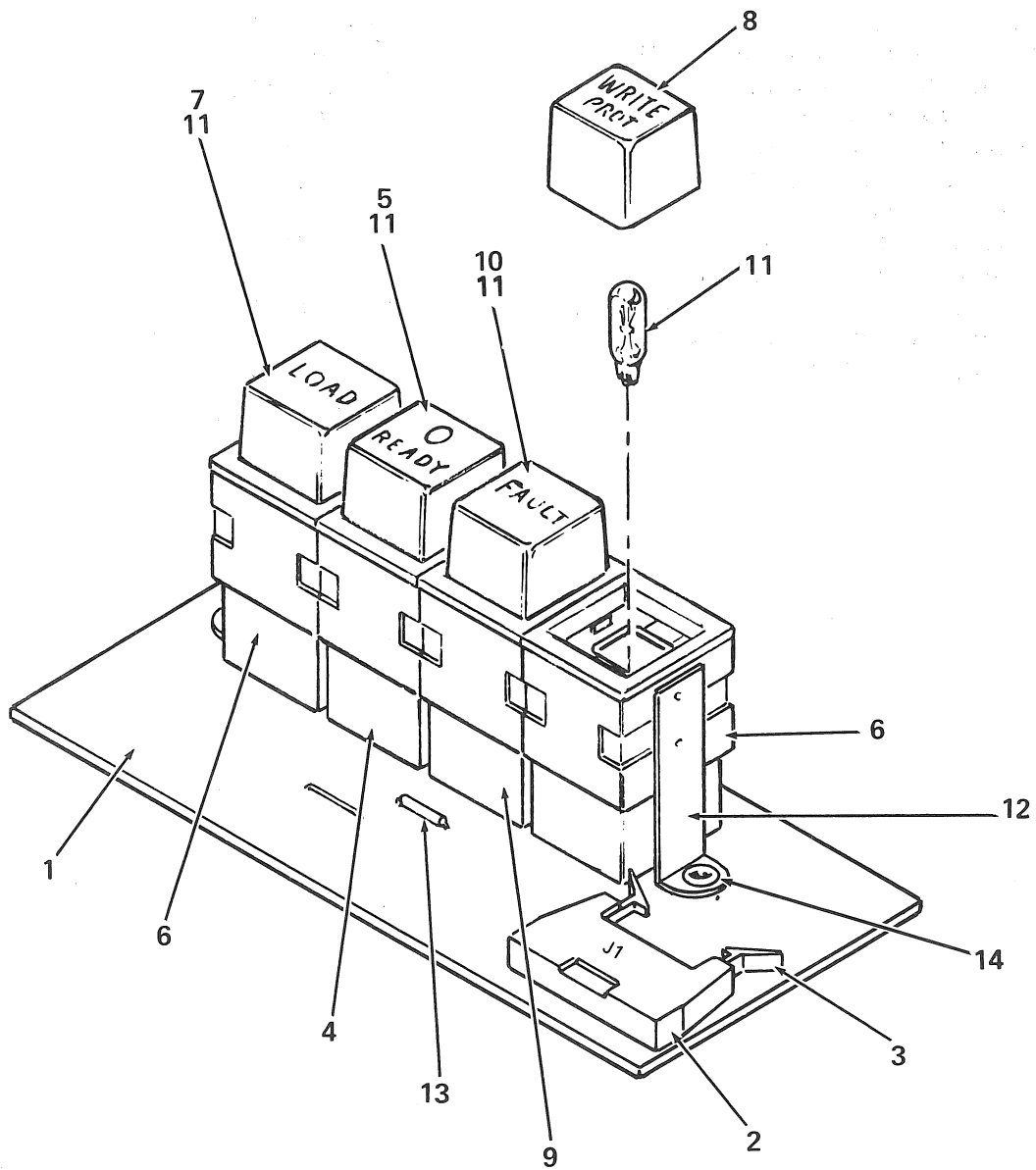
FIG. & ITEM NO.	DESCRIPTION	DEC PART NO.	ECO CUT-IN 70-12111 00001	USED ON CODE	REF FIG NO.
12-	BEZEL ASSEMBLY	70-12111-00			3
1	*Bezel (deleted)	74-15015-00	RL01		
	*Bezel (added)	74-22843-00	00043		
2	*FRONT PANEL MODULE	54-11846-00			13,13A
3	*Screw, Self Tapping Phi Pan Hd No. 6-32 x .375 (deleted)	90-09514-01	RL01		
	*Screw, Phi Truss Hd No. 4-40 x 1/4 (added)	90-09100-03	00043		
4	*Washer, Flat Nylon No. 6 (deleted)	90-06707-00	RL01		
	*Washer, Flat Nylon No. 4 (added)	90-09232-00	00043		



RL01-12

Figure 12. Bezel Assembly

FIG. & ITEM NO.	DESCRIPTION	DEC PART NO.	ECO CUT-IN 54-11846 00003	USED ON CODE	REF FIG NO.
13-	FRONT PANEL MODULE (ETCH REV. C)	54-11846-00			12
1	*Board, Etch (Rev. C)	54-11845-00			
2	*Connector, (J1) 10 Pin Berg	12-09941-05			
3	*Connector Latch, (Left Hand)	12-09941-04			
	*Connector Latch, (Right Hand)	12-09941-03			
4	*Switch, Drive Select (S3)	12-12690-01			
5	*Switch Cap, Drive Select Unit O (S3)	12-12691-00			
6	*Switch, PB Maintained (S1, S2)	12-12717-01			
7	*Switch Cap, Load (S1)	12-12714-05			
8	*Switch Cap, Write Protect (S2)	12-12714-01			
9	*Indicator, Fault (S4)	12-12715-01			
10	*Switch Cap, Fault (S4)	12-12714-02			
11	*Bulb, 14 V (S1, S2, S3, S4)	12-12716-01			
12	*Bracket, Switch Mounting 4 Position	12-13188-01			
13	*Resistor, (R1) 1K Ohm, 1/4W 5%	13-00365-00			

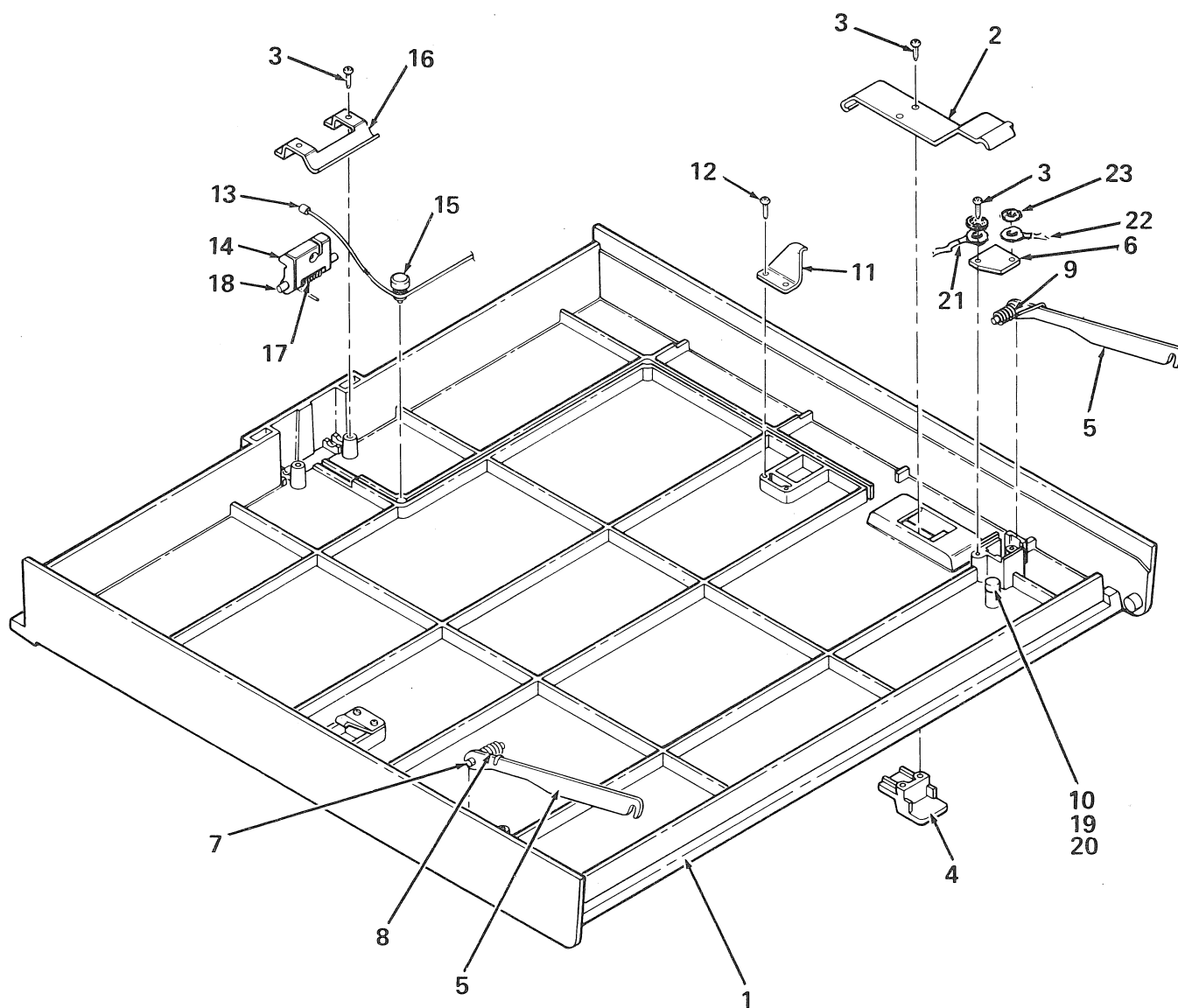


ETCH REV.D

RL01-13A

Figure 13A. Front Panel Module

FIG. & ITEM NO.	DESCRIPTION	DEC PART NO.	ECO CUT-IN 54-11846 00004	USED ON CODE	REF FIG NO.
13A-	FRONT PANEL MODULE (ETCH REV. D)	54-11846-00			12
1	* Board, Etch (Rev. D)	54-11845-00			
2	* Connector, (J1), Pin Berg	12-09941-05			
3	* Connector Latch, (Left Hand)	12-09941-04			
	* Connector Latch, (Right Hand)	12-09941-03			
4	* Switch Unit Select (S3)	12-12690-02			
5	* Switch Cap, Drive Select Unit D (S3)	12-12691-00			
6	* Switch, PB Maintained (S1, S2)	12-12717-05			
7	* Switch Cap, Load (S1)	12-12714-05			
8	* Switch Cap, Write Protect (S2)	12-12714-01			
9	* Indicator, Fault Display (S4)	12-12715-02			
10	* Switch, Cap Fault (S4)	12-12714-02			
11	* Bulb, 14V (S1, S2, S3, S4)	12-12716-01			
12	* Bracket, Switch Mounting 4 Position	12-13188-01			
13	* Resistor, (R1) 1K Ohm, 1/4 W, 5% (deleted)	13-00365-00			
	* Resistor, (R1) 180 Ohms, 1/4 W, 5% (added)	13-01322-00	00005		
14	* Washer, Flat (added)	90-06655-00	00005		



RL01-14

Figure 14. Front Cover Assembly

FIG. & ITEM NO.	DESCRIPTION	DEC PART NO.	ECO CUT-IN 70-12115 00001	USED ON CODE	REF FIG NO.
14- X-	FRONT COVER ASSEMBLY	70-12115-00			3
1	*Cover, Front	74-16848-00			
2	*Stop, Latch (deleted)	74-16863-00			
	*Stop Latch (added)	74-25428-01	RL02		
			00018		
3	*Screw, Phl Pan Hd Self Tapping No. 6 x 5/16 (deleted)	90-09800-02			
	*Screw, Self Tap No. 6 x 3/8 (added)	90-09800-06	00002		
4	*Latch, Release	74-16864-00			
5	*Bracket, Hinge	74-17443-00			
6	*Plate, Retainer	74-17444-00			
7	*Pin, Wire	74-17457-00			
8	*Spring, Torsion, R.H.	12-14357-00			
9	*Spring, Torsion, L.H.	12-14357-01			
10	*Button, Actuator	74-17456-00			
11	*Spring, Flat	74-19114-00			
12	*Screw, Phl Pan Hd Self Tapping No. 4 x 1/4	90-09800-07			
13	*Cable, Release	74-18596-00			
14	*Latch, Lock	74-17442-00			
15	*Post, Cable Guide	74-18592-00			
16	*Clamp, Guide	74-17441-00			
17	*Spring, Torsion	12-14358-00			
18	*Pin, Wire	74-17458-00			
19	*Washer, Flat (added)	90-09968-01	00004		
20	*Washer, Flat (added)	90-09908-00	00005		
21	*Ground, Top Cover Latch (added)	70-22279-01	RL02		
			00025		
22	*Terminal, Quick Disconnect (added)	90-08142-00	RL02		
			00025		
23	*Washer, Internal Lock (added)	90-06633-00	RL02		
			00025		

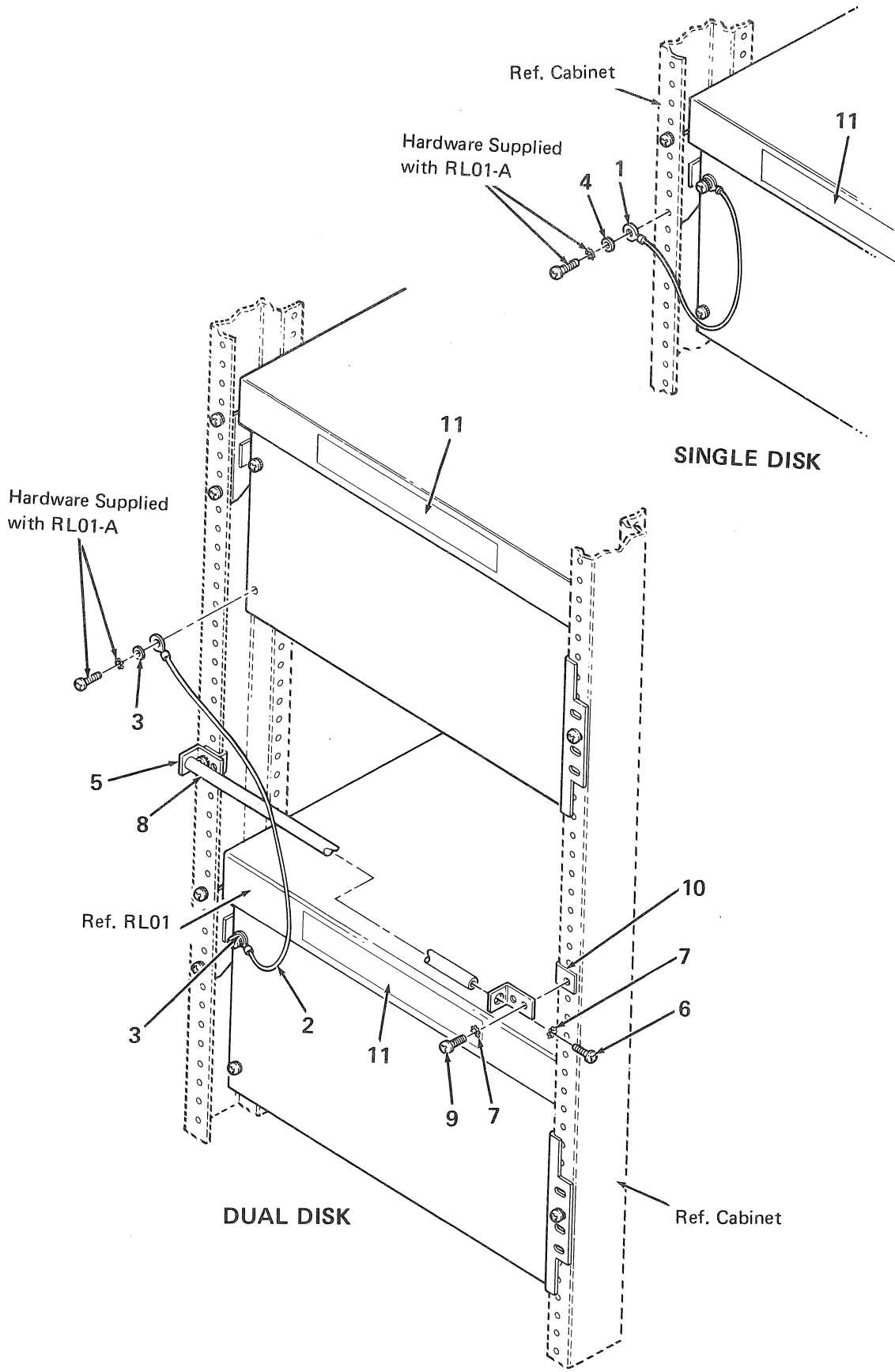


Figure 15. Cable Restraint System

RL01-15

FIG. & ITEM NO.	DESCRIPTION	DEC PART NO.	ECO CUT-IN 70-16983 00001	USED ON CODE	REF FIG NO.
15-	CABLE RESTRAINT SYSTEM (20" Cable) CABLE RESTRAINT SYSTEM (23.8" Cable) CABLE RESTRAINT SYSTEM (29" Cable) (See Note)	70-16785-00 70-16785-01 70-16785-02		A B C	2
1	*Cable Assembly, Nylon, (20" long)	12-15700-00		A	
2	*Cable Assembly, Nylon (23.8" long)	12-15700-03		B	
	*Cable Assembly, Nylon (29" long)	12-15700-01		C	
3	*Washer, Flat (.500 O.D.)	90-06662-00			
4	*Washer, Flat (.437 O.D.)	90-06664-00		A	
5	*Rod and Tube Retainer	74-21503-00		BC	
6	*Screw, Phi Truss Hd No. 10-32 x 1/2	90-06073-03		BC	
7	*Washer, Ext. Tooth Lock No. 10	90-07651-00		BC	
8	*Rod and Tube Assembly	12-12173-00		BC	
9	*Screw, Phi Truss Hd No. 10-32 x 11/16	90-08008-03		BC	
10	*Nut, "U"	90-07786-00		BC	
11	*Label "CAUTION, CABLE RESTRAINT"	36-15744-00			
	<p>Note: The Used On Coding is for this Figure only.</p>				

digital

PART NUMBER/DESCRIPTION SORT



RL01 DISK DRIVE SORTED BY PART NUMBER

PART NO.	DESCRIPTION	FIG. NO.	ITEM
10-13102-00	Motor Capacitor	7	35
10-13530-00	Capacitor, 66,000 MFD 30V	7	5
10-13531-00	Capacitor 20,000 MFD 40V	7	9
11-10051-00	Diode Assembly	7	15
12-09304-01	Fan (deleted)	7	18
12-09403-06	Fan (added)	7	18
12-09941-03	Connector Latch, (Right Hand)	13	3
12-09941-03	Connector Latch, (Right Hand)	13A	3
12-09941-04	Connector Latch, (Left Hand)	13	3
12-09941-04	Connector Latch, (Left Hand)	13A	3
12-09941-05	Connector, (J1) 10 Pin Berg	13	2
12-09941-05	Connector, (J1), Pin Berg	13A	2
12-10263-00	Grill, Fan	7	19
12-10430-00	Bracket, Capacitor	7	10
12-10431-00	Bracket, Capacitor	7	6
12-11591-35	Receptacle	7	41
12-11591-38	Guide, Receptacle	7	43
12-12173-00	Rod and Tube Assembly	15	8
12-12690-01	Switch, Drive Select (S3)	13	4
12-12690-02	Switch Unit Select (S3)	13A	4
12-12691-00	Switch Cap, Drive Select Unit O (S3)	13	5
12-12691-00	Switch Cap, Drive Select Unit D (S3)	13A	5
12-12714-01	Switch Cap, Write Protect (S2)	13A	8
12-12714-01	Switch Cap, Write Protect (S2)	13	8
12-12714-02	Switch Cap, Fault (S4)	13	10
12-12714-02	Switch, Cap Fault (S4)	13A	10
12-12714-05	Switch Cap, Load (S1)	13	7
12-12714-05	Switch Cap, Load (S1)	13A	7
12-12715-01	Indicator, Fault (S4)	13	9
12-12715-02	Indicator, Fault Display (S4)	13A	9
12-12716-01	Bulb, 14V (S1, S2, S3, S4)	13A	11
12-12716-01	Bulb, 14 V (S1, S2, S3, S4)	13	11
12-12717-01	Switch, PB Maintained (S1, S2)	13	6
12-12717-05	Switch, PB Maintained (S1, S2)	13A	6
12-12877-00	Line Filter (deleted)	7	29
12-13097-00	Air Filter (added)	3	48
12-13097-03	Air Filter (deleted)	3	48
12-13156-01	Bracket, Motor Capacitor	7	37
12-13186-00	MOTOR, 115V	4	1
12-13188-01	Bracket, Switch Mounting 4 Position	13A	12
12-13188-01	Bracket, Switch Mounting 4 Position	13	12
12-13204-00	Solenoid, Cover Lock	5	5
12-13204-00	Solenoid, Cover Lock	5A	5
12-13369-00	Belt, Disk Drive	3	25
12-13683-00	Insulated Motor Cap	7	36
12-13686-00	Chassis Slide	2	3
12-13686-01	Rail, Slide Mounting	3	57
12-13818-00	Screw, Captive	11A	10
12-13818-00	Screw, Captive	11B	10
12-13818-00	Screw, Captive	11	8
12-13923-00	Connector, (P2) Housing 2 Pin Mate-N-Lok	8	4
12-13923-01	Connector, (P3) Housing 3 Pin Mate-N-Lok	8	3

RL01 DISK DRIVE SORTED BY PART NUMBER

PART NO.	DESCRIPTION	FIG. NO.	ITEM
12-13923-01	Connector, (P1) Housing 3 Pin Mate-N-Lok	9	1
12-13923-04	Connector, (J15) Housing 9 Pin Mate-N-Lok	8	1
12-13923-05	Connector, (P4) Housing 6 Pin Mate-N-Lok	8	2
12-13927-00	Terminal, Female Socket (J15, P2, P3, P4) (deleted)	8	5
12-13927-00	Terminal, (P1) Socket	9	2
12-13927-02	Terminal, Female Socket (J15, P2, P3, P4) (added)	8	5
12-14011-00	Switch	5	7
12-14330-00	Spring, Extension	3	3
12-14357-00	Spring, Torsion, R.H.	14	8
12-14357-01	Spring, Torsion, L.H.	14	9
12-14358-00	Spring, Torsion	14	17
12-14359-00	Washer, Flat No. 8	3	6
12-14360-00	Circuit Breaker (deleted)	7	28
12-15360-00	Line Filter 115/250V 47-400 Hz (deleted)	7	29
12-15360-00	Line Filter 115/250V 47-400 Hz (added)	7	29
12-15700-00	Cable Assembly, Nylon, (20" long)	15	1
12-15700-01	Cable Assembly, Nylon (29" long)	15	2
12-15700-03	Cable Assembly, Nylon (23.8" long)	15	2
12-16827-00	Circuit Breaker (Added)	7	28
12-18468-00	RFI Filter (added)	7	29
13-00365-00	Resistor, (R1) 1K Ohm, 1/4W 5%	13	13
13-00365-00	Resistor, (R1) 1K Ohm, 1/4 W, 5% (deleted)	13A	13
13-01322-00	Resistor, (R1) 189 Ohms, 1/4 W, 5% (added)	13A	13
16-13897-00	Transformer	7	11
17-00083-03	Cord Power, 3-14 SJT, 60 Hz (added)	7	N/S
17-00083-03	Line Cord Assembly (60Hz) (added)	2	21
17-00083-06	Line Cord Assembly (50Hz) (added)	2	21
36-12680-00	Decal, Ground (added)	7	47
36-13209-03	Label, "Electrical Data"	2	N/S
36-13209-03	Decal, Adhesive Backed	3	N/S
36-13211-01	Decal, "CSA"	3	N/S
36-14782-00	Label, Adhesive Backed	6	6
36-14782-00	Label, Adhesive Backed	6A	6
36-14783-00	Label, Adhesive Backed (deleted)	3	38
36-15687-00	Label, "RL01 Cartridge Caution" (added)	3	N/S
36-15710-00	Label, Paper Form Feed (added)	10	5
36-15744-00	Label "CAUTION, CABLE RESTRAINT"	15	11
36-17674-00	Label, "Serial & Power, Universal" (added)	3	N/S
36-18098-01	Label, "Attention Hardware" (added)	3	N/S
36-20191-01	Label, "Caution" (added)	3	38
54-11844-00	READ/WRITE MODULE	6	4
54-11845-00	Board, Etch (Rev. C)	13	1
54-11845-00	Board, Etch (Rev. D)	13A	1
54-11846-00	FRONT PANEL MODULE	13A	0
54-11846-00	FRONT PANEL MODULE	12	2
54-11846-00	FRONT PANEL MODULE	13	0
54-11848-00	AC Servo Module	3	36

RL01 DISK DRIVE SORTED BY PART NUMBER

PART NO.	DESCRIPTION	FIG. NO.	ITEM
54-11850-00	Servo, Power Module (deleted)	3	39
54-12175-00	LOGIC DRIVE MODULE	11	3
54-13534-00	Servo, Power Module (added)	3	39
54-13536-00	RL02 Read/Write Module Assembly	6A	4
54-14025-00	Logic Drive Module Assembly	11A	2
54-14025-00	Logic Drive Module Assembly	11B	2
70-12107-3D	Interconnect Cable	3	44
70-12108-00	POWER PANEL HARNESS ASSEMBLY	7	30
70-12108-00	POWER PANEL HARNESS ASSEMBLY	8	0
70-12109-00	Line Cord (deleted)	7	32
70-12110-00	Cable, Fan	7	25
70-12111-00	BEZEL ASSEMBLY	3	55
70-12111-00	BEZEL ASSEMBLY	12	0
70-12112-00	BRUSH DRIVE ASSEMBLY (deleted)	3	31
70-12112-00	BRUSH DRIVE ASSEMBLY (deleted)	5	0
70-12114-00	DISK MOTOR ASSEMBLY	4	0
70-12114-00	DISK MOTOR ASSEMBLY	3	2
70-12115-00	FRONT COVER ASSEMBLY	14	0
70-12115-00	FRONT COVER ASSEMBLY	3	59
70-12116-00	Main Chassis Assembly	3	1
70-12117-00	Positioner Assembly	3	28
70-12118-00	READ/WRITE BOX ASSEMBLY (deleted)	3	32
70-12118-00	READ/WRITE BOX ASSEMBLY	6	0
70-12119-00	REAR COVER ASSEMBLY (deleted) (New Design)	11A	0
70-12119-00	REAR COVER ASSEMBLY (Old Design) (deleted)	11	0
70-12119-00	REAR COVER ASSEMBLY (deleted)	3	45
70-12120-00	Spindle Assembly (deleted)	3	10
70-12122-10	I/O Cable Assembly (deleted)	2	8
70-12123-00	Interconnect Cable Assembly (added)	3	64
70-12123-0H	Logic Interconnect Cable	10	1
70-12125-0B	Cable, Terminal Board Interconnect	7	38
70-12125-0E	Cable, Terminal Board Interconnect	7	39
70-12126-00	BRUSH DRIVE HARNESS ASSEMBLY	5	15
70-12127-00	Terminal Block Assembly (added)	7	2
70-12127-01	Terminal Block Assembly (deleted)	7	2
70-12128-00	Access Cover Assembly (deleted)	3	58
70-12130-00	POWER PANEL ASSEMBLY	7	0
70-12130-00	POWER PANEL ASSEMBLY	3	34
70-12132-00	CARTRIDGE SENSE SWITCH ASSEMBLY	5	1
70-12132-00	Cartridge Sense Switch Assembly	5A	1
70-12137-00	Transducer Assembly	3	17
70-12139-0F	Interconnect Cable	3	42
70-12139-0M	Interconnect Cable	10	2
70-12139-0M	Interconnect Cable Assembly (added)	3	41
70-12140-00	D.C. Power Harness Assembly	3	43
70-12142-00	POWER HARNESS	9	0
70-12142-00	POWER HARNESS	7	40
70-14261-00	MOTOR CRANK ASSEMBLY	5	8
70-14262-00	INTERCONNECT CABLE ASSEMBLY (deleted)	3	41
70-14262-00	INTERCONNECT CABLE ASSEMBLY (deleted)	10	0
70-15116-00	Spindle Assembly (added)	3	10
70-15124-00	READ/WRITE BOX ASSEMBLY (added) (Latest Design)	6A	0

RLO1 DISK DRIVE SORTED BY PART NUMBER

PART NO.	DESCRIPTION	FIG. NO.	ITEM
70-15124-00	READ/WRITE BOX ASSEMBLY (added)	3	32
70-15125-00	REAR COVER ASSEMBLY (added)	3	45
70-15125-00	REAR COVER ASSEMBLY (added) (Latest Design)	11B	0
70-15222-00	Housing, Blower (added)	4	2
70-16726-00	Brush and Holder Assembly (added)	5	11
70-16785-00	CABLE RESTRAINT SYSTEM (20" Cable)	15	0
70-16785-00	CABLE RESTRAINT SYSTEM (added) (Ref.)	2	19
70-16785-01	CABLE RESTRAINT SYSTEM (23.8" Cable)	15	0A
70-16785-02	CABLE RESTRAINT SYSTEM (29" Cable) (See Note)	15	0B
70-16847-00	Cover, Rear	11A	1
70-16991-00	SWITCH COVER ASSEMBLY (added)	3	31
70-16991-00	SWITCH COVER ASSEMBLY (added) (New Design)	5A	0
70-17178-00	Head Assembly (A UP)	3	30
70-17178-01	Head Assembly (A DOWN)	3	29
70-17333-00	Cover Switch Harness Assembly	5A	6
70-17608-00	Ground Harness (added)	7	44
70-17609-00	Ground Harness (added)	7	45
70-19264-00	Shield, Positioner (added)	3	60
70-19264-00	Shield, Positioner (deleted)	3	60
70-20527-01	Receptacle, Cable, 40-Pin (added)	7	53
70-22278-01	Ground, Solenoid/Cartridge Switch (added)	5A	10
70-22279-01	Ground, Top Cover Latch (added)	14	21
74-15015-00	Bezel (deleted)	12	1
74-15083-00	Clip, Rear Cover	11B	8
74-15083-00	Clip, Rear Cover	11A	8
74-15084-00	Cover, R/W Box	6A	5
74-15084-00	Cover, R/W Box	6	5
74-15094-00	Cover, Plenum	3	53
74-15097-00	Pulley, Motor	4	6
74-15101-00	Spring, Plenum Cover	3	54
74-15221-00	Impeller	4	5
74-15224-00	Cover, Switch	5A	2
74-15224-00	Cover, Brush Drive	5	2
74-15229-00	Bracket, Switch	5	6
74-15231-00	Gasket, Blower	4	14
74-15297-00	Pad, Filter	3	51
74-15303-00	Cover, AC Servo	3	37
74-16197-00	Decal, "U.L."	3	N/S
74-16326-00	Chassis, Power Supply	7	1
74-16329-00	Front, R/W Box	6	2
74-16329-00	Front, R/W Box	6A	2
74-16330-00	Guide, R/W Box	6A	3
74-16330-00	Guide, R/W Box	6	3
74-16335-00	Retainer, Cable	3	52
74-16847-00	Cover, Rear	11B	1
74-16847-00	Cover, Rear	11	1
74-16848-00	Cover, Front	14	1
74-16858-00	Plunger, Cartridge Sense	5A	3
74-16858-00	Plunger, Cartridge Sense	5	3
74-16863-00	Stop, Latch (deleted)	14	2
74-16864-00	Latch, Release	14	4
74-16865-00	Bracket, Latch	3	46

RL01 DISK DRIVE SORTED BY PART NUMBER

PART NO.	DESCRIPTION	FIG. NO.	ITEM
74-17441-00	Clamp, Guide	14	16
74-17442-00	Latch, Lock	14	14
74-17443-00	Bracket, Hinge	14	5
74-17444-00	Plate, Retainer	14	6
74-17449-00	Shield, Cover	11	2
74-17450-00	Hatch	3	26
74-17452-00	Cover, Housing	4	11
74-17454-00	Bracket, Plenum	3	49
74-17455-00	Latch, Plenum	3	50
74-17456-00	Button, Actuator	14	10
74-17457-00	Pin, Wire	14	7
74-17458-00	Pin, Wire	14	18
74-17460-00	Housing, Blower (deleted)	4	2
74-18583-00	Brush Drive Link Assembly (deleted)	5	14
74-18588-00	Cover, Servo Board (deleted)	3	40
74-18589-00	Brush Drive Link Assembly (added)	5	14
74-18592-00	Post, Cable Guide	14	15
74-18594-00	Pan Assembly, Read/Write Box	6A	1
74-18594-00	Pan Assembly, Read/Write Box	6	1
74-18596-00	Cable, Release	14	13
74-19114-00	Spring, Flat	14	11
74-19256-00	Roller (deleted)	3	13
74-19261-00	Bracket, Chassis Slide	2	2
74-19262-00	Bar Nut	2	4
74-19856-00	Bracket, Shipping	2	18
74-19857-00	Bracket, Cable Support	2	9
74-20068-00	Shield, Positioner (added)	3	60
74-20084-00	Shim, Latch .02 in. Thk (added)	3	61
74-20084-01	Shim, Latch .01 in. Thk (added)	3	61
74-20826-00	Cover, Servo Board (added)	3	40
74-21503-00	Rod and Tube Retainer	15	5
74-21977-00	Guide, Hinge Bracket (added)	3	66
74-22834-00	Insulator, Head Cable (added)	3	63
74-22843-00	Bezel (added)	12	1
74-25428-01	Stop, Latch (added)	14	2
90-00044-06	Screw, Set No. 8-32 x 7/16 (deleted)	4	8
90-00049-05	Screw, Sems Truss Phl Hd No. 8-32 x 1/2 (added)	3	62
90-00049-21	Screw, Sems Phl Pan Hd No. 6-32 x 5/16 (added)	3	20
90-00049-23	Screw, Sems Phl Pan Hd No. 6-32 x 3/8 (added)	3	23
90-00049-26	Screw, Sems Phl Pan Hd No. 8-32 x 1/4 (added)	3	27
90-00049-27	Screw, Sems Phl Pan Hd No. 8-32 x 3/8 (added)	3	4
90-00049-28	Screw, Sems Phl Pan Hd No. 8-32 x 3/8 (added)	3	33
90-06020-01	Screw, Phl Pan Hd No. 6-32 x 1/4	7	7
90-06021-01	Screw, Phl Pan Hd No. 6-32 x 5/16	2	10
90-06021-01	Screw, Phl Pan Hd No. 6-32 x 15/16	3	15
90-06021-01	Screw, Phl Pan Hd No. 6-32 x 5/16	7	31
90-06022-01	Screw, Phl Pan Hd No. 6-32 x 3/8 (deleted)	3	23

RL01 DISK DRIVE SORTED BY PART NUMBER

PART NO.	DESCRIPTION	FIG. NO.	ITEM
90-06022-01	Screw, Phl Pan Hd No. 6-32 x .38	11	6
90-06023-01	Screw, Phl Pan Hd No. 6-32 x 7/16 (deleted)	3	20
90-06023-01	Screw, Phl Pan Hd No. 6-32 x 7/16	7	16
90-06024-01	Screw, Phl Pan Hd No. 6-32 x 1/2 (deleted)	3	20
90-06024-01	Screw, Phl Pan Hd No. 6-32 x 1/2 (added)	3	20
90-06025-01	Screw, Phl Pan Hd No. 6-32 x 5/8 (added)	7	50
90-06027-01	Screw, Phl Pan Hd No. 6-32 x 7/8	7	20
90-06028-01	Screw, Phl Pan Hd No. 6-32 x 1.00 (deleted)	7	27
90-06035-01	Screw, Phl Pan Hd No. 8-32 x 1/4 (deleted)	3	27
90-06036-01	Screw, Phl Pan Hd No. 8-32 x 5/16	7	12
90-06037-01	Screw, Phl Pan Hd No. 8-32 x 3/8 (deleted)	3	4
90-06037-01	Screw, Phl Pan Hd No. 8-32 x 3/8	4	9
90-06038-01	Screw, Phl Pan Hd No. 8-32 x 7/16 (deleted)	3	35
90-06039-01	Screw, Phl Pan Hd No. 8-32 x 1/2 (deleted)	3	33
90-06039-04	Screw, Slotted Binder Hd No. 8-32 x 1/2	2	7
90-06040-01	Screw, Phl Pan Hd No. 8-32 x 5/8 (deleted)	3	62
90-06040-01	Screw, Phl Pan Hd No. 8-32 x 5/8 (added)	3	62
90-06070-01	Screw, Phl Pan Hd No. 10-32 x 5/16 (added)	7	23
90-06072-01	Screw, Phl Pan Hd No. 10-32 x 7/16	4	3
90-06073-01	Screw, Phl Pan Hd No. 10-32 x 1/2 (deleted)	2	5
90-06073-03	Screw, Phl Truss Hd No. 10-32 x 1/2	15	6
90-06397-05	Screw, Phl Pan Hd No. 4-40 x 1/4 (deleted)	7	42
90-06418-01	Screw, Self Tap Phl Pan Hd No. 8-32 x 3/8 (added)	3	56
90-06553-00	Washer, Flat 3/8 O.D. x 5/32	5A	7
90-06560-00	Nut, Kep No. 6-32 (added)	7	22
90-06620-01	Screw, Self Tapping, Phl Pan Hd No. 6-32 x 1/4 (deleted)	4	12
90-06633-00	Washer, Internal Lock (added)	14	23
90-06633-00	Internal Tooth Lock, 9/32 O.D. x 9/64 I.D. (added)	5A	11
90-06633-00	Washer, Internal Tooth Lock No. 6	7	17
90-06633-00	Washer, Internal Tooth Lock No. 8 (deleted)	3	24
90-06633-00	Washer, Internal Tooth Lock No. 6 (added)	5	19
90-06633-00	Washer, Internal Tooth Lock No. 6	4	13
90-06634-00	Washer, Internal Tooth Lock No. 6 (deleted)	3	21
90-06635-00	Washer, Internal Tooth Lock No. 10	7	24
90-06635-00	Washer, Internal Tooth Lock No. 10	4	4
90-06635-00	Washer, Internal Tooth Lock No. 10 (deleted)	3	12
90-06653-00	Washer, Flat No. 6 (deleted)	3	19
90-06653-00	Washer, Flat No. 6 (added)	5	12
90-06653-00	Washer, Flat No. 6	2	12
90-06653-00	Washer, Flat No. 6	7	21
90-06655-00	Washer, Flat (added)	13A	14
90-06660-00	Washer, Flat No. 8	11	5
90-06660-00	Washer, Flat No. 8	11A	4
90-06660-00	Washer, Flat No. 8	11B	4
90-06660-00	Washer, Flat No. 6 (deleted)	3	22
90-06662-00	Washer, Flat (.500 O.D.)	15	3
90-06664-00	Washer, Flat (.437 O.D.)	15	4
90-06668-00	Washer, Flat No. 10	2	14
90-06707-00	Washer, Flat Nylon No. 6 (deleted)	12	4
90-06707-00	Washer, Flat Nylon No. 6	11	7
90-06708-00	Washer, Flat Nylon	11B	5

RL01 DISK DRIVE SORTED BY PART NUMBER

PART NO.	DESCRIPTION	FIG. NO.	ITEM
90-06708-00	Washer, Flat Nylon	11A	5
90-07016-00	Grommet	7	14
90-07031-00	Cable Tie	5A	9
90-07031-00	Tie Wrap	8	9
90-07031-00	Tie Wrap	9	6
90-07031-00	Cable Tie (deleted)	2	16
90-07031-00	Tie Wrap	5	17
90-07079-00	Cable Clamp	3	18
90-07081-00	Cable Clamp	5A	8
90-07082-00	Cable Clamp	5	16
90-07082-00	Cable Clamp	7	26
90-07083-00	Cable Clamp (deleted)	2	13
90-07085-00	Cable Clamp (added)	2	13
90-07089-00	Cable Clamp (deleted)	2	17
90-07091-00	Cable Clamp (added)	2	17
90-07113-00	Terminal, 2 Blade (deleted)	7	34
90-07649-00	Washer, External Tooth No. 6	7	8
90-07649-00	Washer, External Tooth Lock No. 6 (deleted)	3	16
90-07649-00	Washer, External Tooth Lock No. 6	5	18
90-07649-00	Washer, External Tooth Lock No. 6	2	11
90-07651-00	Washer, Ext. Tooth Lock No. 10	15	7
90-07651-00	Washer, External Tooth Lock No. 10	2	6
90-07786-00	Nut, "U"	15	10
90-07786-00	Nut, U-Shaped No. 10-32	2	15
90-07928-00	Terminal, Ring No. 10 (Blue)	9	3
90-07929-00	Terminal, Ring #1 Position, Insulated (added)	7	52
90-07929-00	Terminal, Ring (added)	8	10
90-07930-00	Terminal, Ring No. 10	8	8
90-07930-00	Terminal, Ring No. 10 (Red)	9	4
90-07969-00	Terminal, Quick Disconnect	8	6
90-07970-00	Terminal, Quick Disconnect	9	5
90-07970-00	Terminal, Quick Disconnect	8	7
90-08007-01	Screw, Phl Pan Hd No. 10-32 x 1/4 (deleted)	7	23
90-08008-03	Screw, Phl Truss Hd No. 10-32 x 11/16	15	9
90-08032-01	Screw, Phl Pan Hd No. 4-40 x 3/16	11B	6
90-08032-01	Screw, Phl Pan Hd No. 4-40 x .19	11A	6
90-08072-00	Washer, External Tooth Lock No. 8	7	13
90-08072-00	Washer, External Tooth Lock No. 8	4	10
90-08072-00	Washer, External Tooth Lock No. 8 (deleted)	3	5
90-08142-00	Terminal, Quick Disconnect (added)	14	22
90-08301-01	Screw, Phl Pan Hd No. 4-40 x 1/4 (added)	7	42
90-08397-10	Screw, Set No. 8-32 x 1/4 (deleted)	4	7
90-08408-01	Screw, Phl Pan Hd Self Tapping No. 6-32 x 1/4 (added)	4	12
90-08408-01	Screw, Phl Pan Hd Self Tapping No. 6-32 x 1/4 (deleted)	4	12
90-08853-00	Plug (220V) (deleted)	2	20
90-08881-00	Foam Tape	10	4
90-08955-01	Screw, Phl Pan Hd No. 10-32 x 15/16 (deleted)	3	11
90-08957-01	Nut, Hex 6-32 x 1/4 (added)	7	49
90-09023-00	Washer, Internal Tooth Lock No. 8 (added)	3	65
90-09030-00	Nut, Kep No. 6-32 (deleted)	7	22

RL01 DISK DRIVE SORTED BY PART NUMBER

PART NO.	DESCRIPTION	FIG. NO.	ITEM
90-09059-01	Tape, Foam, 1/2 W x 1/4 Thk (added)	7	48
90-09100-03	Screw, Phl Truss Hd No. 4-40 x 1/4 (added)	12	3
90-09165-00	Clip, Fan Mounting (added)	7	51
90-09232-00	Washer, Flat Nylon No. 4 (added)	12	4
90-09255-00	Label, Power Supply (added)	7	46
90-09282-00	Screw, Sems Phl Pan Hd No. 10-32 x 15/16 (added)	3	11
90-09316-00	"O" Ring (added)	11	9
90-09316-00	"O" Ring	11A	9
90-09316-00	"O" Ring	11B	9
90-09507-00	Tape, Vinyl	10	3
90-09514-01	Screw, Self Tapping Phl Pan Hd No. 6-32 x .375 (deleted)	12	3
90-09514-02	Screw, Self Tap No. 8 x 1/2 (deleted)	3	56
90-09759-00	Screw, Flat Hd No. 8-32 x 3/8	3	47
90-09768-01	Strain Relief (deleted)	7	33
90-09778-00	Screw, Set Nylock No. 8-32 x 1/4 (added)	4	7
90-09778-00	Screw, Set Nylock No. 8-32 x 1/4 (deleted)	4	7
90-09800-01	Screw, Plastite No. 6 x .875	7	4
90-09800-02	Screw, Phl Pan HD Self Tapping No. 6 x 5/16 (deleted)	14	3
90-09800-02	Screw, Self Tap No. 6 x .31 (deleted)	5	4
90-09800-02	Screw, Plastite No. 6 x 5/16 (deleted)	7	3
90-09800-04	Screw, Phl Pan Hd Self Tapping No. 8 x .38	11	4
90-09800-04	Screw, Phl Pan Hd No. 8 x .38 Self Tapping	11A	3
90-09800-04	Screw, Phl Pan Hd No. 8-32 Self Tapping	11B	3
90-09800-06	Screw, Self Tap No. 6 x .38 (added)	5	4
90-09800-06	Screw, Phl Pan Hd No. 6-32 x 3/8	5A	4
90-09800-06	Screw, Self Tap No. 6 x 3/8 (added)	14	3
90-09800-06	Screw, Plastite No. 6 x 3/8 (added)	7	3
90-09800-07	Screw, Phl Pan Hd Self Tapping No. 4 x 1/4	14	12
90-09865-00	Pushnut Fastner	5	9
90-09866-00	Retainer	5	13
90-09868-00	Washer	5	10
90-09884-00	Washer, Flat Teflon	3	9
90-09885-00	Washer, Wave Spring	3	7
90-09905-00	Screw, Phl Pan Hd No. 6-32 x 1/4 (added)	4	12
90-09908-00	Washer, Flat (added)	14	20
90-09942-00	E Ring (deleted)	3	14
90-09968-01	Washer, Flat (added)	14	19
90-09974-00	Washer, Flat 5/8 O.D. x 5/16 I.D.	3	8
90-09992-00	Pin, Grooved	4	15
90-10101-00	Insert, Flanged (deleted)	11B	7
90-10101-00	Insert	11A	7
90-10152-00	Cable Tie (added)	2	16
90-10174-03	Screw, Sems Phl Pan Hd No. 6-32 x 1/2 (added)	3	35
BC21Z-10	Shielded I/O Cable Assembly (added)	2	8

RL01 DISK DRIVE SORTED BY PART NUMBER

<u>PART NO.</u>	<u>DESCRIPTION</u>	<u>FIG. NO.</u>	<u>ITEM</u>
RL01-00	RL01 DISK DRIVE ASSEMBLY	2	1
RL01-00	RL01 DISK DRIVE ASSEMBLY	3	0
RL01-A	RL02-A DISK DRIVE and MOUNTING HARDWARE KIT	2	0
RL01-A	RL01 DISK DRIVE and MOUNTING HARDWARE KIT	1	1
RL01-AK	RL01 DISK DRIVE and CARTRIDGE	1	0
RL01K-DC	RL01 DATA CARTRIDGE	1	2

RL01 DISK DRIVE SORTED BY DESCRIPTION

DESCRIPTION	PART NO.	FIG. NO.	ITEM
"O" Ring	90-09316-00	11A	9
"O" Ring	90-09316-00	11B	9
"O" Ring (added)	90-09316-00	11	9
AC Servo Module	54-11848-00	3	36
Access Cover Assembly (deleted)	70-12128-00	3	58
Air Filter (added)	12-13097-00	3	48
Air Filter (deleted)	12-13097-03	3	48
Bar Nut	74-19262-00	2	4
Belt, Disk Drive	12-13369-00	3	25
Bezel (added)	74-22843-00	12	1
Bezel (deleted)	74-15015-00	12	1
BEZEL ASSEMBLY	70-12111-00	12	0
BEZEL ASSEMBLY	70-12111-00	3	55
Board, Etch (Rev. C)	54-11845-00	13	1
Board, Etch (Rev. D)	54-11845-00	13A	1
Bracket, Cable Support	74-19857-00	2	9
Bracket, Capacitor	12-10430-00	7	10
Bracket, Capacitor	12-10431-00	7	6
Bracket, Chassis Slide	74-19261-00	2	2
Bracket, Hinge	74-17443-00	14	5
Bracket, Latch	74-16865-00	3	46
Bracket, Motor Capacitor	12-13156-01	7	37
Bracket, Plenum	74-17454-00	3	49
Bracket, Shipping	74-19856-00	2	18
Bracket, Switch	74-15229-00	5	6
Bracket, Switch Mounting 4 Position	12-13188-01	13A	12
Bracket, Switch Mounting 4 Position	12-13188-01	13	12
Brush and Holder Assembly (added)	70-16726-00	5	11
BRUSH DRIVE ASSEMBLY (deleted)	70-12112-00	3	31
BRUSH DRIVE ASSEMBLY (deleted)	70-12112-00	5	0
BRUSH DRIVE HARNESS ASSEMBLY	70-12126-00	5	15
Brush Drive Link Assembly (added)	74-18589-00	5	14
Brush Drive Link Assembly (deleted)	74-18583-00	5	14
Bulb, 14 V (S1, S2, S3, S4)	12-12716-01	13	11
Bulb, 14V (S1, S2, S3, S4)	12-12716-01	13A	11
Button, Actuator	74-17456-00	14	10
Cable Assembly, Nylon (23.8" long)	12-15700-03	15	2
Cable Assembly, Nylon (29" long)	12-15700-01	15	2
Cable Assembly, Nylon, (20" long)	12-15700-00	15	1
Cable Clamp	90-07082-00	7	26
Cable Clamp	90-07082-00	5	16
Cable Clamp	90-07079-00	3	18
Cable Clamp	90-07081-00	5A	8
Cable Clamp (added)	90-07085-00	2	13
Cable Clamp (added)	90-07091-00	2	17
Cable Clamp (deleted)	90-07083-00	2	13
Cable Clamp (deleted)	90-07089-00	2	17
CABLE RESTRAINT SYSTEM (20" Cable)	70-16785-00	15	0
CABLE RESTRAINT SYSTEM (23.8" Cable)	70-16785-01	15	0A
CABLE RESTRAINT SYSTEM (29" Cable)	70-16785-02	15	0B
(See Note)			

RL01 DISK DRIVE SORTED BY DESCRIPTION

DESCRIPTION	PART NO.	FIG. NO.	ITEM
CABLE RESTRAINT SYSTEM (added) (Ref.)	70-16785-00	2	19
Cable Tie	90-07031-00	5A	9
Cable Tie (added)	90-10152-00	2	16
Cable Tie (deleted)	90-07031-00	2	16
Cable, Fan	70-12110-00	7	25
Cable, Release	74-18596-00	14	13
Cable, Terminal Board Interconnect	70-12125-0E	7	39
Cable, Terminal Board Interconnect	70-12125-0B	7	38
Capacitor 20,000 MFD 40V	10-13531-00	7	9
Capacitor, 66,000 MFD 30V	10-13530-00	7	5
Cartridge Sense Switch Assembly	70-12132-00	5A	1
CARTRIDGE SENSE SWITCH ASSEMBLY	70-12132-00	5	1
Chassis Slide	12-13686-00	2	3
Chassis, Power Supply	74-16326-00	7	1
Circuit Breaker (Added)	12-16827-00	7	28
Circuit Breaker (deleted)	12-14360-00	7	28
Clamp, Guide	74-17441-00	14	16
Clip, Fan Mounting (added)	90-09165-00	7	51
Clip, Rear Cover	74-15083-00	11B	8
Clip, Rear Cover	74-15083-00	11A	8
Connector Latch, (Left Hand)	12-09941-04	13A	3
Connector Latch, (Left Hand)	12-09941-04	13	3
Connector Latch, (Right Hand)	12-09941-03	13A	3
Connector Latch, (Right Hand)	12-09941-03	13	3
Connector, (J1) 10 Pin Berg	12-09941-05	13	2
Connector, (J1), Pin Berg	12-09941-05	13A	2
Connector, (J15) Housing 9 Pin Mate-N-Lok	12-13923-04	8	1
Connector, (P1) Housing 3 Pin Mate-N-Lok	12-13923-01	9	1
Connector, (P2) Housing 2 Pin Mate-N-Lok	12-13923-00	8	4
Connector, (P3) Housing 3 Pin Mate-N-Lok	12-13923-01	8	3
Connector, (P4) Housing 6 Pin Mate-N-Lok	12-13923-05	8	2
Cord Power, 3-14 SJT, 60 Hz (added)	17-00083-03	7	N/S
Cover Switch Harness Assembly	70-17333-00	5A	6
Cover, AC Servo	74-15303-00	3	37
Cover, Brush Drive	74-15224-00	5	2
Cover, Front	74-16848-00	14	1
Cover, Housing	74-17452-00	4	11
Cover, Plenum	74-15094-00	3	53
Cover, R/W Box	74-15084-00	6A	5
Cover, R/W Box	74-15084-00	6	5
Cover, Rear	74-16847-00	11B	1
Cover, Rear	70-16847-00	11A	1
Cover, Rear	74-16847-00	11	1
Cover, Servo Board (added)	74-20826-00	3	40
Cover, Servo Board (deleted)	74-18588-00	3	40
Cover, Switch	74-15224-00	5A	2
D.C. Power Harness Assembly	70-12140-00	3	43
Decal, "CSA"	36-13211-01	3	N/S
Decal, "U.L."	74-16197-00	3	N/S
Decal, Adhesive Backed	36-13209-03	3	N/S
Decal, Ground (added)	36-12680-00	7	47
Diode Assembly	11-10051-00	7	15
DISK MOTOR ASSEMBLY	70-12114-00	3	2
DISK MOTOR ASSEMBLY	70-12114-00	4	0

RL01 DISK DRIVE SORTED BY DESCRIPTION

DESCRIPTION	PART NO.	FIG. NO.	ITEM
E Ring (deleted)	90-09942-00	3	14
Fan (added)	12-09403-06	7	18
Fan (deleted)	12-09304-01	7	18
Foam Tape	90-08881-00	10	4
FRONT COVER ASSEMBLY	70-12115-00	3	59
FRONT COVER ASSEMBLY	70-12115-00	14	0
FRONT PANEL MODULE	54-11846-00	13	0
FRONT PANEL MODULE	54-11846-00	13A	0
FRONT PANEL MODULE	54-11846-00	12	2
Front, R/W Box	74-16329-00	6	2
Front, R/W Box	74-16329-00	6A	2
Gasket, Blower	74-15231-00	4	14
Grill, Fan	12-10263-00	7	19
Grommet	90-07016-00	7	14
Ground Harness (added)	70-17608-00	7	44
Ground Harness (added)	70-17609-00	7	45
Ground, Solenoid/Cartridge Switch (added)	70-22278-01	5A	10
Ground, Top Cover Latch (added)	70-22279-01	14	21
Guide, Hinge Bracket (added)	74-21977-00	3	66
Guide, R/W Box	74-16330-00	6A	3
Guide, R/W Box	74-16330-00	6	3
Guide, Receptacle	12-11591-38	7	43
Hatch	74-17450-00	3	26
Head Assembly (A DOWN)	70-17178-01	3	29
Head Assembly (A UP)	70-17178-00	3	30
Housing, Blower (added)	70-15222-00	4	2
Housing, Blower (deleted)	74-17460-00	4	2
I/O Cable Assembly (deleted)	70-12122-10	2	8
Impeller	74-15221-00	4	5
Indicator, Fault (S4)	12-12715-01	13	9
Indicator, Fault Display (S4)	12-12715-02	13A	9
Insert	90-10101-00	11A	7
Insert, Flanged (deleted)	90-10101-00	11B	7
Insulated Motor Cap	12-13683-00	7	36
Insulator, Head Cable (added)	74-22834-00	3	63
Interconnect Cable	70-12139-0M	10	2
Interconnect Cable	70-12139-0F	3	42
Interconnect Cable	70-12107-3D	3	44
Interconnect Cable Assembly (added)	70-12139-0M	3	41
Interconnect Cable Assembly (added)	70-12123-00	3	64
INTERCONNECT CABLE ASSEMBLY (deleted)	70-14262-00	10	0
INTERCONNECT CABLE ASSEMBLY (deleted)	70-14262-00	3	41
Internal Tooth Lock, 9/32 O.D. x 9/64 I.D. (added)	90-06633-00	5A	11
Label "CAUTION, CABLE RESTRAINT"	36-15744-00	15	11
Label, "Attention Hardware" (added)	36-18098-01	3	N/S
Label, "Caution" (added)	36-20191-01	3	38
Label, "Electrical Data"	36-13209-03	2	N/S

RLO1 DISK DRIVE SORTED BY DESCRIPTION

DESCRIPTION	PART NO.	FIG. NO.	ITEM
Label, "RLO1 Cartridge Caution" (added)	36-15687-00	3	N/S
Label, "Serial & Power, Universal" (added)	36-17674-00	3	N/S
Label, Adhesive Backed	36-14782-00	6A	6
Label, Adhesive Backed	36-14782-00	6	6
Label, Adhesive Backed (deleted)	36-14783-00	3	38
Label, Paper Form Feed (added)	36-15710-00	10	5
Label, Power Supply (added)	90-09255-00	7	46
Latch, Lock	74-17442-00	14	14
Latch, Plenum	74-17455-00	3	50
Latch, Release	74-16864-00	14	4
Line Cord (deleted)	70-12109-00	7	32
Line Cord Assembly (50Hz) (added)	17-00083-06	2	21
Line Cord Assembly (60Hz) (added)	17-00083-03	2	21
Line Filter (deleted)	12-12877-00	7	29
Line Filter 115/250V 47-400 Hz (added)	12-15360-00	7	29
Line Filter 115/250V 47-400 Hz (deleted)	12-15360-00	7	29
LOGIC DRIVE MODULE	54-12175-00	11	3
Logic Drive Module Assembly	54-14025-00	11B	2
Logic Drive Module Assembly	54-14025-00	11A	2
Logic Interconnect Cable	70-12123-0H	10	1
Main Chassis Assembly	70-12116-00	3	1
Motor Capacitor	10-13102-00	7	35
MOTOR CRANK ASSEMBLY	70-14261-00	5	8
MOTOR, 115V	12-13186-00	4	1
Nut, "U"	90-07786-00	15	10
Nut, Hex 6-32 x 1/4 (added)	90-08957-01	7	49
Nut, Kep No. 6-32 (added)	90-06560-00	7	22
Nut, Kep No. 6-32 (deleted)	90-09030-00	7	22
Nut, U-Shaped No. 10-32	90-07786-00	2	15
Pad, Filter	74-15297-00	3	51
Pan Assembly, Read/Write Box	74-18594-00	6A	1
Pan Assembly, Read/Write Box	74-18594-00	6	1
Pin, Grooved	90-09992-00	4	15
Pin, Wire	74-17458-00	14	18
Pin, Wire	74-17457-00	14	7
Plate, Retainer	74-17444-00	14	6
Plug (220V) (deleted)	90-08853-00	2	20
Plunger, Cartridge Sense	74-16858-00	5	3
Plunger, Cartridge Sense	74-16858-00	5A	3
Positioner Assembly	70-12117-00	3	28
Post, Cable Guide	74-18592-00	14	15
POWER HARNESS	70-12142-00	7	40
POWER HARNESS	70-12142-00	9	0
POWER PANEL ASSEMBLY	70-12130-00	7	0
POWER PANEL ASSEMBLY	70-12130-00	3	34
POWER PANEL HARNESS ASSEMBLY	70-12108-00	7	30
POWER PANEL HARNESS ASSEMBLY	70-12108-00	8	0
Pulley, Motor	74-15097-00	4	6
Pushnut Fastner	90-09865-00	5	9

RL01 DISK DRIVE SORTED BY DESCRIPTION

DESCRIPTION	PART NO.	FIG. NO.	ITEM
Screw, Phl Pan Hd No. 6-32 x 5/16	90-06021-01	7	31
Screw, Phl Pan Hd No. 6-32 x 5/16	90-06021-01	2	10
Screw, Phl Pan Hd No. 6-32 x 7/16	90-06023-01	7	16
Screw, Phl Pan Hd No. 6-32 x 7/16 (deleted)	90-06023-01	3	20
Screw, Phl Pan Hd No. 6-32 x 7/8	90-06027-01	7	20
Screw, Phl Pan Hd No. 8 x .38 Self Tapping	90-09800-04	11A	3
Screw, Phl Pan Hd No. 8-32 Self Tapping	90-09800-04	11B	3
Screw, Phl Pan Hd No. 8-32 x 1/2 (deleted)	90-06039-01	3	33
Screw, Phl Pan Hd No. 8-32 x 1/4 (deleted)	90-06035-01	3	27
Screw, Phl Pan Hd No. 8-32 x 3/8	90-06037-01	4	9
Screw, Phl Pan Hd No. 8-32 x 3/8 (deleted)	90-06037-01	3	4
Screw, Phl Pan Hd No. 8-32 x 5/16	90-06036-01	7	12
Screw, Phl Pan Hd No. 8-32 x 5/8 (added)	90-06040-01	3	62
Screw, Phl Pan Hd No. 8-32 x 5/8 (deleted)	90-06040-01	3	62
Screw, Phl Pan Hd No. 8-32 x 7/16 (deleted)	90-06038-01	3	35
Screw, Phl Pan Hd Self Tapping No. 4 x 1/4	90-09800-07	14	12
Screw, Phl Pan HD Self Tapping No. 6 x 5/16 (deleted)	90-09800-02	14	3
Screw, Phl Pan Hd Self Tapping No. 6-32 x 1/4 (added)	90-08408-01	4	12
Screw, Phl Pan Hd Self Tapping No. 6-32 x 1/4 (deleted)	90-08408-01	4	12
Screw, Phl Pan Hd Self Tapping No. 8 x .38	90-09800-04	11	4
Screw, Phl Pan Hd, No. 6-32 x 5/8 (added)	90-06025-01	7	50
Screw, Phl Truss Hd No. 10-32 x 1/2	90-06073-03	15	6
Screw, Phl Truss Hd No. 10-32 x 11/16	90-08008-03	15	9
Screw, Phl Truss Hd No. 4-40 x 1/4 (added)	90-09100-03	12	3
Screw, Plastite No. 6 x .875	90-09800-01	7	4
Screw, Plastite No. 6 x 3/8 (added)	90-09800-06	7	3
Screw, Plastite No. 6 x 5/16 (deleted)	90-09800-02	7	3
Screw, Self Tap No. 6 x .31 (deleted)	90-09800-02	5	4
Screw, Self Tap No. 6 x .38 (added)	90-09800-06	5	4
Screw, Self Tap No. 6 x 3/8 (added)	90-09800-06	14	3
Screw, Self Tap No. 8 x 1/2 (deleted)	90-09514-02	3	56
Screw, Self Tap Phl Pan Hd No. 8-32 x 3/8 (added)	90-06418-01	3	56
Screw, Self Tapping Phl Pan Hd No. 6-32 x .375 (deleted)	90-09514-01	12	3
Screw, Self Tapping, Phl Pan Hd No. 6-32 x 1/4 (deleted)	90-06620-01	4	12
Screw, Sems Phl Pan Hd No. 10-32 x 15/16 (added)	90-09282-00	3	11
Screw, Sems Phl Pan Hd No. 6-32 x 1/2 (added)	90-10174-03	3	35
Screw, Sems Phl Pan Hd No. 6-32 x 3/8 (added)	90-00049-23	3	23
Screw, Sems Phl Pan Hd No. 6-32 x 5/16 (added)	90-00049-21	3	20
Screw, Sems Phl Pan Hd No. 8-32 x 1/4 (added)	90-00049-26	3	27
Screw, Sems Phl Pan Hd No. 8-32 x 3/8 (added)	90-00049-27	3	4
Screw, Sems Phl Pan Hd No. 8-32 x 3/8 (added)	90-00049-28	3	33

RL01 DISK DRIVE SORTED BY DESCRIPTION

DESCRIPTION	PART NO.	FIG. NO.	ITEM
Rail, Slide Mounting	12-13686-01	3	57
READ/WRITE BOX ASSEMBLY	70-12118-00	6	0
READ/WRITE BOX ASSEMBLY (added)	70-15124-00	3	32
READ/WRITE BOX ASSEMBLY (added) (Latest Design)	70-15124-00	6A	0
READ/WRITE BOX ASSEMBLY (deleted)	70-12118-00	3	32
READ/WRITE MODULE	54-11844-00	6	4
REAR COVER ASSEMBLY (added)	70-15125-00	3	45
REAR COVER ASSEMBLY (added) (Latest Design)	70-15125-00	11B	0
REAR COVER ASSEMBLY (deleted)	70-12119-00	3	45
REAR COVER ASSEMBLY (deleted) (New Design)	70-12119-00	11A	0
REAR COVER ASSEMBLY (Old Design) (deleted)	70-12119-00	11	0
Receptacle	12-11591-35	7	41
Receptacle, Cable, 40-Pin (added)	70-20527-01	7	53
Resistor, (R1) 189 Ohms, 1/4 W, 5% (added)	13-01322-00	13A	13
Resistor, (R1) 1K Ohm, 1/4 W, 5% (deleted)	13-00365-00	13A	13
Resistor, (R1) 1K Ohm, 1/4W 5%	13-00365-00	13	13
Retainer	90-09866-00	5	13
Retainer, Cable	74-16335-00	3	52
RFI Filter (added)	12-18468-00	7	29
RL01 DATA CARTRIDGE	RL01K-DC	1	2
RL01 DISK DRIVE and CARTRIDGE	RL01-AK	1	0
RL01 DISK DRIVE and MOUNTING HARDWARE KIT	RL01-A	1	1
RL01 DISK DRIVE ASSEMBLY	RL01-00	3	0
RL01 DISK DRIVE ASSEMBLY	RL01-00	2	1
RL02 Read/Write Module Assembly	54-13536-00	6A	4
RL02-A DISK DRIVE and MOUNTING HARDWARE KIT	RL01-A	2	0
Rod and Tube Assembly	12-12173-00	15	8
Rod and Tube Retainer	74-21503-00	15	5
Roller (deleted)	74-19256-00	3	13
Screw, Phl Pan Hd No. 10-32 x 7/16	90-06072-01	4	3
Screw, Captive	12-13818-00	11	8
Screw, Captive	12-13818-00	11B	10
Screw, Captive	12-13818-00	11A	10
Screw, Flat Hd No. 8-32 x 3/8	90-09759-00	3	47
Screw, Phl Pan Hd No. 10-32 x 1/2 (deleted)	90-06073-01	2	5
Screw, Phl Pan Hd No. 10-32 x 1/4 (deleted)	90-08007-01	7	23
Screw, Phl Pan Hd No. 10-32 x 15/16 (deleted)	90-08955-01	3	11
Screw, Phl Pan Hd No. 10-32 x 5/16 (added)	90-06070-01	7	23
Screw, Phl Pan Hd No. 4-40 x .19	90-08032-01	11A	6
Screw, Phl Pan Hd No. 4-40 x 1/4 (added)	90-08301-01	7	42
Screw, Phl Pan Hd No. 4-40 x 1/4 (deleted)	90-06397-05	7	42
Screw, Phl Pan Hd No. 4-40 x 3/16	90-08032-01	11B	6
Screw, Phl Pan Hd No. 6-32 x .38	90-06022-01	11	6
Screw, Phl Pan Hd No. 6-32 x 1.00 (deleted)	90-06028-01	7	27
Screw, Phl Pan Hd No. 6-32 x 1/2 (added)	90-06024-01	3	20
Screw, Phl Pan Hd No. 6-32 x 1/2 (deleted)	90-06024-01	3	20
Screw, Phl Pan Hd No. 6-32 x 1/4	90-06020-01	7	7
Screw, Phl Pan Hd No. 6-32 x 1/4 (added)	90-09905-00	4	12
Screw, Phl Pan Hd No. 6-32 x 15/16	90-06021-01	3	15
Screw, Phl Pan Hd No. 6-32 x 3/8	90-09800-06	5A	4
Screw, Phl Pan Hd No. 6-32 x 3/8 (deleted)	90-06022-01	3	23

RL01 DISK DRIVE SORTED BY DESCRIPTION

DESCRIPTION	PART NO.	FIG. NO.	ITEM
Screw, Sems Truss Phl Hd No. 8-32 x 1/2 (added)	90-00049-05	3	62
Screw, Set No. 8-32 x 1/4 (deleted)	90-08397-10	4	7
Screw, Set No. 8-32 x 7/16 (deleted)	90-00044-06	4	8
Screw, Set Nylock No. 8-32 x 1/4 (added)	90-09778-00	4	7
Screw, Set Nylock No. 8-32 x 1/4 (deleted)	90-09778-00	4	7
Screw, Slotted Binder Hd No. 8-32 x 1/2	90-06039-04	2	7
Servo, Power Module (added)	54-13534-00	3	39
Servo, Power Module (deleted)	54-11850-00	3	39
Shield, Cover	74-17449-00	11	2
Shield, Positioner (added)	70-19264-00	3	60
Shield, Positioner (added)	74-20068-00	3	60
Shield, Positioner (deleted)	70-19264-00	3	60
Shielded I/O Cable Assembly (added)	BC21Z-10	2	8
Shim, Latch .01 in. Thk (added)	74-20084-01	3	61
Shim, Latch .02 in. Thk (added)	74-20084-00	3	61
Solenoid, Cover Lock	12-13204-00	5A	5
Solenoid, Cover Lock	12-13204-00	5	5
Spindle Assembly (added)	70-15116-00	3	10
Spindle Assembly (deleted)	70-12120-00	3	10
Spring, Extension	12-14330-00	3	3
Spring, Flat	74-19114-00	14	11
Spring, Plenum Cover	74-15101-00	3	54
Spring, Torsion	12-14358-00	14	17
Spring, Torsion, L.H.	12-14357-01	14	9
Spring, Torsion, R.H.	12-14357-00	14	8
Stop, Latch (added)	74-25428-01	14	2
Stop, Latch (deleted)	74-16863-00	14	2
Strain Relief (deleted)	90-09768-01	7	33
Switch	12-14011-00	5	7
Switch Cap, Drive Select Unit D (S3)	12-12691-00	13A	5
Switch Cap, Drive Select Unit O (S3)	12-12691-00	13	5
Switch Cap, Fault (S4)	12-12714-02	13	10
Switch Cap, Load (S1)	12-12714-05	13A	7
Switch Cap, Load (S1)	12-12714-05	13	7
Switch Cap, Write Protect (S2)	12-12714-01	13	8
Switch Cap, Write Protect (S2)	12-12714-01	13A	8
SWITCH COVER ASSEMBLY (added)	70-16991-00	3	31
SWITCH COVER ASSEMBLY (added) (New Design)	70-16991-00	5A	0
Switch Unit Select (S3)	12-12690-02	13A	4
Switch, Cap Fault (S4)	12-12714-02	13A	10
Switch, Drive Select (S3)	12-12690-01	13	4
Switch, PB Maintained (S1, S2)	12-12717-05	13A	6
Switch, PB Maintained (S1, S2)	12-12717-01	13	6
Tape, Foam, 1/2 W x 1/4 Thk (added)	90-09059-01	7	48
Tape, Vinyl	90-09507-00	10	3
Terminal Block Assembly (added)	70-12127-00	7	2
Terminal Block Assembly (deleted)	70-12127-01	7	2
Terminal, (P1) Socket	12-13927-00	9	2
Terminal, 2 Blade (deleted)	90-07113-00	7	34
Terminal, Female Socket (J15, P2, P3, P4) (added)	12-13927-02	8	5

RL01 DISK DRIVE SORTED BY DESCRIPTION

DESCRIPTION	PART NO.	FIG. NO.	ITEM
Terminal, Female Socket (J15, P2, P3, P4) (deleted)	12-13927-00	8	5
Terminal, Quick Disconnect	90-07969-00	8	6
Terminal, Quick Disconnect	90-07970-00	8	7
Terminal, Quick Disconnect	90-07970-00	9	5
Terminal, Quick Disconnect (added)	90-08142-00	14	22
Terminal, Ring #1 Position, Insulated (added)	90-07929-00	7	52
Terminal, Ring (added)	90-07929-00	8	10
Terminal, Ring No. 10	90-07930-00	8	8
Terminal, Ring No. 10 (Blue)	90-07928-00	9	3
Terminal, Ring No. 10 (Red)	90-07930-00	9	4
Tie Wrap	90-07031-00	8	9
Tie Wrap	90-07031-00	9	6
Tie Wrap	90-07031-00	5	17
Transducer Assembly	70-12137-00	3	17
Transformer	16-13897-00	7	11
Washer	90-09868-00	5	10
Washer, Ext. Tooth Lock No. 10	90-07651-00	15	7
Washer, External Tooth Lock No. 10	90-07651-00	2	6
Washer, External Tooth Lock No. 6	90-07649-00	5	18
Washer, External Tooth Lock No. 6	90-07649-00	2	11
Washer, External Tooth Lock No. 6 (deleted)	90-07649-00	3	16
Washer, External Tooth Lock No. 8	90-08072-00	7	13
Washer, External Tooth Lock No. 8	90-08072-00	4	10
Washer, External Tooth Lock No. 8 (deleted)	90-08072-00	3	5
Washer, External Tooth No. 6	90-07649-00	7	8
Washer, Flat (.437 O.D.)	90-06664-00	15	4
Washer, Flat (.500 O.D.)	90-06662-00	15	3
Washer, Flat (added)	90-06655-00	13A	14
Washer, Flat (added)	90-09908-00	14	20
Washer, Flat (added)	90-09968-01	14	19
Washer, Flat 3/8 O.D. x 5/32	90-06553-00	5A	7
Washer, Flat 5/8 O.D. x 5/16 I.D.	90-09974-00	3	8
Washer, Flat No. 10	90-06668-00	2	14
Washer, Flat No. 6	90-06653-00	7	21
Washer, Flat No. 6	90-06653-00	2	12
Washer, Flat No. 6 (added)	90-06653-00	5	12
Washer, Flat No. 6 (deleted)	90-06653-00	3	19
Washer, Flat No. 6 (deleted)	90-06660-00	3	22
Washer, Flat No. 8	90-06660-00	11B	4
Washer, Flat No. 8	90-06660-00	11A	4
Washer, Flat No. 8	90-06660-00	11	5
Washer, Flat No. 8	12-14359-00	3	6
Washer, Flat Nylon	90-06708-00	11B	5
Washer, Flat Nylon	90-06708-00	11A	5
Washer, Flat Nylon No. 4 (added)	90-09232-00	12	4
Washer, Flat Nylon No. 6	90-06707-00	11	7
Washer, Flat Nylon No. 6 (deleted)	90-06707-00	12	4
Washer, Flat Teflon	90-09884-00	3	9
Washer, Internal Lock (added)	90-06633-00	14	23
Washer, Internal Tooth Lock No. 10	90-06635-00	7	24
Washer, Internal Tooth Lock No. 10	90-06635-00	4	4

RL01 DISK DRIVE SORTED BY DESCRIPTION

DESCRIPTION	PART NO.	FIG. NO.	ITEM
Washer, Internal Tooth Lock No. 10 (deleted)	90-06635-00	3	12
Washer, Internal Tooth Lock No. 6	90-06633-00	7	17
Washer, Internal Tooth Lock No. 6	90-06633-00	4	13
Washer, Internal Tooth Lock No. 6 (added)	90-06633-00	5	19
Washer, Internal Tooth Lock No. 6 (deleted)	90-06634-00	3	21
Washer, Internal Tooth Lock No. 8 (added)	90-09023-00	3	65
Washer, Internal Tooth Lock No. 8 (deleted)	90-06633-00	3	24
Washer, Wave Spring	90-09885-00	3	7

**ILLUSTRATED PARTS BREAKDOWN
COMMENT SHEET**

Any and all comments and suggestions for correcting errors and/or additional information to improve this manual will be reviewed and researched for possible use when this manual is revised and/or reprinted. Enter your comments and suggestions in the form provided below and return to Technical Documentation.

MODEL RL01 DISK DRIVE PUBLICATION NO. EK-0RL01-IP-005

FIGURE NO. _____ ITEM NO. _____ FIGURE NO. _____ ITEM NO. _____
CHANGE FROM _____ CHANGE FROM _____
CHANGE TO _____ CHANGE TO _____

FIGURE NO. _____ ITEM NO. _____ FIGURE NO. _____ ITEM NO. _____
CHANGE FROM _____ CHANGE FROM _____
CHANGE TO _____ CHANGE TO _____

FIGURE NO. _____ ITEM NO. _____ FIGURE NO. _____ ITEM NO. _____
CHANGE FROM _____ CHANGE FROM _____
CHANGE TO _____ CHANGE TO _____

ADDITIONAL COMMENT(S)

Please describe your position. _____

Name _____ Organization _____

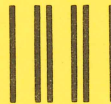
Street _____ Department _____

City _____ State _____ Zip or Country _____

Fold Here

Do Not Tear - Fold Here and Staple

digital



No Postage
Necessary
if Mailed in the
United States

BUSINESS REPLY MAIL

FIRST CLASS PERMIT NO. 33 MAYNARD, MA.

POSTAGE WILL BE PAID BY ADDRESSEE

Digital Equipment Corporation
Educational Services Development and Publishing
129 Parker Street, PK03-2/H31
Maynard, MA 01754

