



**digital**

**RK05 Exerciser  
Maintenance Manual**

**Field  
Service  
Test  
Equipment**



**RK05 Exerciser  
Maintenance Manual**

1st Edition, April 1974

Copyright © 1974 by Digital Equipment Corporation

The material in this manual is for informational purposes and is subject to change without notice.

Digital Equipment Corporation assumes no responsibility for any errors which may appear in this manual.

Printed in U.S.A.

The following are trademarks of Digital Equipment Corporation, Maynard, Massachusetts:

DEC	PDP
FLIP CHIP	FOCAL
DIGITAL	COMPUTER LAB

# CONTENTS

	Page	
<b>CHAPTER 1</b>	<b>GENERAL INFORMATION</b>	
1.1	INTRODUCTION . . . . .	1-1
1.2	GENERAL DESCRIPTION . . . . .	1-1
1.3	PHYSICAL DESCRIPTION . . . . .	1-1
1.3.1	Exerciser Chassis . . . . .	1-1
1.3.2	Bus Terminator Module . . . . .	1-1
1.3.3	Positioner Exerciser Module . . . . .	1-1
1.3.4	Writer Exerciser Module . . . . .	1-1
1.3.5	Front Panel . . . . .	1-1
1.3.6	Unibus Cable Assembly . . . . .	1-3
1.3.7	Power Cable . . . . .	1-3
1.4	SPECIFICATIONS . . . . .	1-3
1.4.1	Environmental . . . . .	1-3
1.4.2	Power Requirements . . . . .	1-3
1.4.3	Packaging . . . . .	1-3
<b>CHAPTER 2</b>	<b>UNPACKING, SET-UP AND ACCEPTANCE TESTING</b>	
2.1	UNPACKING PROCEDURE . . . . .	2-1
2.2	SET-UP PROCEDURE . . . . .	2-1
2.3	ACCEPTANCE TEST PROCEDURE . . . . .	2-3
2.3.1	Writer Exerciser Module Test Procedure . . . . .	2-3
2.3.2	Positioner Exerciser Module Test Procedure . . . . .	2-6
<b>CHAPTER 3</b>	<b>OPERATION</b>	
3.1	SCOPE . . . . .	3-1
3.2	CONTROLS AND INDICATORS . . . . .	3-1
3.3	MODES OF OPERATION . . . . .	3-3
3.3.1	Step Mode . . . . .	3-3
3.3.2	Alternate Mode . . . . .	3-3
3.3.3	Oscillate Mode . . . . .	3-3
3.3.4	Random Mode . . . . .	3-4
3.4	UTILIZATION PROCEDURE . . . . .	3-4
<b>CHAPTER 4</b>	<b>THEORY OF OPERATION</b>	
4.1	SCOPE . . . . .	4-1
4.2	FUNCTIONAL DESCRIPTION . . . . .	4-1
4.2.1	Writer Exerciser . . . . .	4-1
4.2.1.1	Sector Decoder . . . . .	4-1
4.2.1.2	Write Control Logic . . . . .	4-1
4.2.1.3	Write Clock . . . . .	4-1
4.2.1.4	Clock and Data Output Multiplexer . . . . .	4-1
4.2.1.5	Head Select Switch . . . . .	4-1
4.2.2	Positioner Exerciser . . . . .	4-1
4.2.2.1	Strobe Oscillator . . . . .	4-2
4.2.2.2	Address Counter Control Logic . . . . .	4-2
4.2.2.3	Address Counter . . . . .	4-2
4.2.2.4	Cylinder Address Source Select Logic . . . . .	4-2
4.2.2.5	Fault Detect Logic . . . . .	4-4

## CONTENTS (Cont)

		Page
4.3	DETAILED LOGIC DESCRIPTION . . . . .	4-4
4.3.1	Writer Exerciser . . . . .	4-4
4.3.1.1	Sector Decoder and Write Sector Switch . . . . .	4-4
4.3.1.2	Write Control Logic . . . . .	4-4
4.3.1.3	Write Clock . . . . .	4-5
4.3.1.4	Clock and Data Output Multiplexer . . . . .	4-5
4.3.2	Positioner Exerciser . . . . .	4-5
4.3.2.1	Strobe Oscillator . . . . .	4-5
4.3.2.2	Address Counter Control Logic . . . . .	4-8
4.3.2.3	Address Counter . . . . .	4-10
4.3.2.4	Cylinder Address Source Select Logic . . . . .	4-10
4.3.2.5	Fault Detect Logic . . . . .	4-11
4.4	FLOW DIAGRAM DESCRIPTION . . . . .	4-11
<b>CHAPTER 5</b>	<b>MAINTENANCE</b>	
5.1	SCOPE . . . . .	5-1
5.2	MAINTENANCE PHILOSOPHY . . . . .	5-1
5.3	TEST EQUIPMENT REQUIRED . . . . .	5-1
5.4	PREVENTIVE MAINTENANCE . . . . .	5-1
5.5	CORRECTIVE MAINTENANCE . . . . .	5-2
<b>CHAPTER 6</b>	<b>RK05 DISK DRIVE MAINTENANCE USING THE RK05 EXERCISER</b>	
6.1	SCOPE . . . . .	6-1
6.2	ALIGNMENT, CHECKS, AND ADJUSTMENTS . . . . .	6-1
6.2.1	Alignment Cartridges . . . . .	6-1
6.2.1.1	RK05K-AC Alignment Cartridge . . . . .	6-1
6.2.1.2	2315 CE Test Cartridge Shim Installation . . . . .	6-2
6.2.2	Servo System Timing Checks and Adjustments . . . . .	6-2
6.2.2.1	Dynamic Off-Line Checks and Adjustments . . . . .	6-4
6.2.2.2	Static Tests and Adjustments . . . . .	6-9
6.2.3	Read/Write Data Separator (G180 Card) Adjustment . . . . .	6-10
6.2.4	Read/Write Head Check and Alignment . . . . .	6-10
6.2.4.1	RK05K-AC Alignment Cartridge . . . . .	6-11
6.2.4.2	2315 CE Pack . . . . .	6-14
6.2.5	Index/Sector Timing Adjustment . . . . .	6-16
6.2.5.1	RK05K-AC Alignment Cartridge . . . . .	6-16
6.2.5.2	2315 CE Pack . . . . .	6-18
6.2.6	Cartridge Receiver Alignment . . . . .	6-19
<b>APPENDIX A</b>	<b>IC SCHEMATICS</b>	
A.1	7442 4-LINE-TO-10-LINE DECODERS . . . . .	A-1
A.2	7474 DUAL D-TYPE EDGE-TRIGGERED FLIP-FLOPS . . . . .	A-2
A.3	74123 MONOSTABLE MULTIVIBRATOR . . . . .	A-3
A.4	74193 SYNCHRONOUS 4-BIT UP/DOWN COUNTER (DUAL CLOCK WITH CLEAR) . . . . .	A-4
<b>APPENDIX B</b>	<b>ENGINEERING DRAWING SET</b>	

## ILLUSTRATIONS

Figure No.	Title	Page
1-1	RK05 Exerciser Components . . . . .	1-2
1-2	Bus Terminator Module . . . . .	1-2
1-3	Unibus Cable Assembly . . . . .	1-3
1-4	Power Cable . . . . .	1-4
2-1	Exerciser to RK05 Disk Drive Connection Diagram . . . . .	2-2
2-2	RK05 Exerciser to Multiple RK05 Disk Drives Connection Diagram . . . . .	2-3
2-3	Write Gate Data Waveform . . . . .	2-4
2-4	Writer Exerciser Clock and Data Waveforms . . . . .	2-5
2-5	Write Data Waveforms . . . . .	2-7
2-6	How to Read a Vernier . . . . .	2-8
3-1	RK05 Exerciser Front Panel Controls and Indicators . . . . .	3-1
4-1	RK05 Exerciser Functional Block Diagram . . . . .	4-3
4-2	Sector Decoder and Write Section Switch Diagram . . . . .	4-4
4-3	Write Control Logic . . . . .	4-5
4-4	Write Clock . . . . .	4-6
4-5	Write Clock and Multiplexer Timing Diagram . . . . .	4-6
4-6	Clock and Data Multiplexer Logic . . . . .	4-7
4-7	Strobe Oscillator . . . . .	4-7
4-8	Address Counter Control Logic . . . . .	4-9
4-9	Address Counter Logic . . . . .	4-10
4-10	Cylinder Address Source Select Logic . . . . .	4-11
4-11	Fault Detect Logic . . . . .	4-11
4-12	Writer Exerciser Flow Diagram . . . . .	4-12
4-13	Positioner Exerciser Step Mode Flow Diagram . . . . .	4-13
4-14	Positioner Exerciser Alternate Mode Flow Diagram . . . . .	4-14
4-15	Positioner Exerciser Oscillate Mode Flow Diagram . . . . .	4-15
4-16	Positioner Exerciser Random Mode Flow Diagram . . . . .	4-16
5-1	Troubleshooting Flow Diagram . . . . .	5-3
6-1a	Spindle Runout (Negligible Runout) . . . . .	6-1
6-1b	Spindle Runout (Considerable Runout) . . . . .	6-2
6-2	CE Test Cartridge Shim Installation . . . . .	6-3
6-3	Sine Amplitude/Offset and Velocity Offset Waveform . . . . .	6-5
6-4	Cosine Amplitude/Offset Waveform . . . . .	6-6
6-5	Velocity Amplitude Waveform . . . . .	6-7
6-6	Acceleration Waveform . . . . .	6-7
6-7	Full Stroke Waveform . . . . .	6-8
6-8	Full Stroke Position Waveform . . . . .	6-8
6-9	Outer Limit Waveform . . . . .	6-9
6-10	RK05-AC Alignment Cartridge Head Alignment Waveforms . . . . .	6-13
6-11	Read/Write Head Adjustments . . . . .	6-15
6-12	2315 CE Pack Head Alignment Waveforms . . . . .	6-17
6-13	Index/Sector Waveform . . . . .	6-19
6-14	Cartridge to Receiver Clearance . . . . .	6-20
6-15	Cartidge Receiver Clearances . . . . .	6-20
A-1	7442 Package and Logic Diagrams . . . . .	A-1
A-2	DEC 74123 IC Illustrations . . . . .	A-3
A-3	DEC 74123 IC Output Pulse Width vs. External Timing Capacitance . . . . .	A-3
A-4	74193 Logic Diagram . . . . .	A-5

## TABLES

Table No.	Title	Page
3-1	Exerciser Controls and Indicators . . . . .	3-2
3-2	Exerciser Operating Procedure . . . . .	3-4
3-3	Data Bits Switch to Data Bit Correlation . . . . .	3-8
5-1	Test Equipment Required . . . . .	5-1
5-2	Preventive Maintenance Schedule . . . . .	5-2
6-1	Servo System Checks . . . . .	6-2
6-2	Servo System Adjustments . . . . .	6-4



**RK05 EXERCISER MAINTENANCE MANUAL**



6891-1

RK05-TA  
RK05 - Exerciser

# CHAPTER 1

## GENERAL INFORMATION

### 1.1 INTRODUCTION

This manual provides a complete description of the RK05 Exerciser, including physical, functional, logic level, and flow diagram descriptions, specifications, and operation and maintenance procedures.

### 1.2 GENERAL DESCRIPTION

The RK05 Exerciser is a portable unit used to exercise the RK05 Disk Drive off-line. The unit generates all the control signals necessary to exercise the disk drive linear positioner circuitry and write circuitry; the processor and drive controller are not needed.

The exerciser can be used to isolate most hard disk drive faults and to verify proper operation once the fault has been corrected.

#### NOTE

**If reliability problems are encountered, the disk drive should be checked out on-line, using MAINDEC diagnostics.**

The exerciser is completely contained in an aluminum chassis and is powered by the RK05 Disk Drive power supply. A special 4-wire power cable serves to route the power supply outputs (+15 V, -15 V, +5 V) to the exerciser without interrupting power to the disk drive.

### 1.3 PHYSICAL DESCRIPTION

The exerciser (Figure 1-1) consists of five subassemblies and two cable assemblies: exerciser chassis, front panel, bus terminator module, test positioner module, test writer module, bus cable assembly, and power cable.

#### 1.3.1 Exerciser Chassis

The 9605720 chassis is a 6-1/10 in. high by 11-9/10 in. wide by 3-6/10 in. deep metal box with a hinged front panel.

#### 1.3.2 Bus Terminator Module

The M930 Bus Terminator module (Figure 1-2) is a dual height module that is mounted in slot 2 of the connector block and contains all the circuitry necessary to terminate the Unibus.

#### 1.3.3 Positioner Exerciser Module

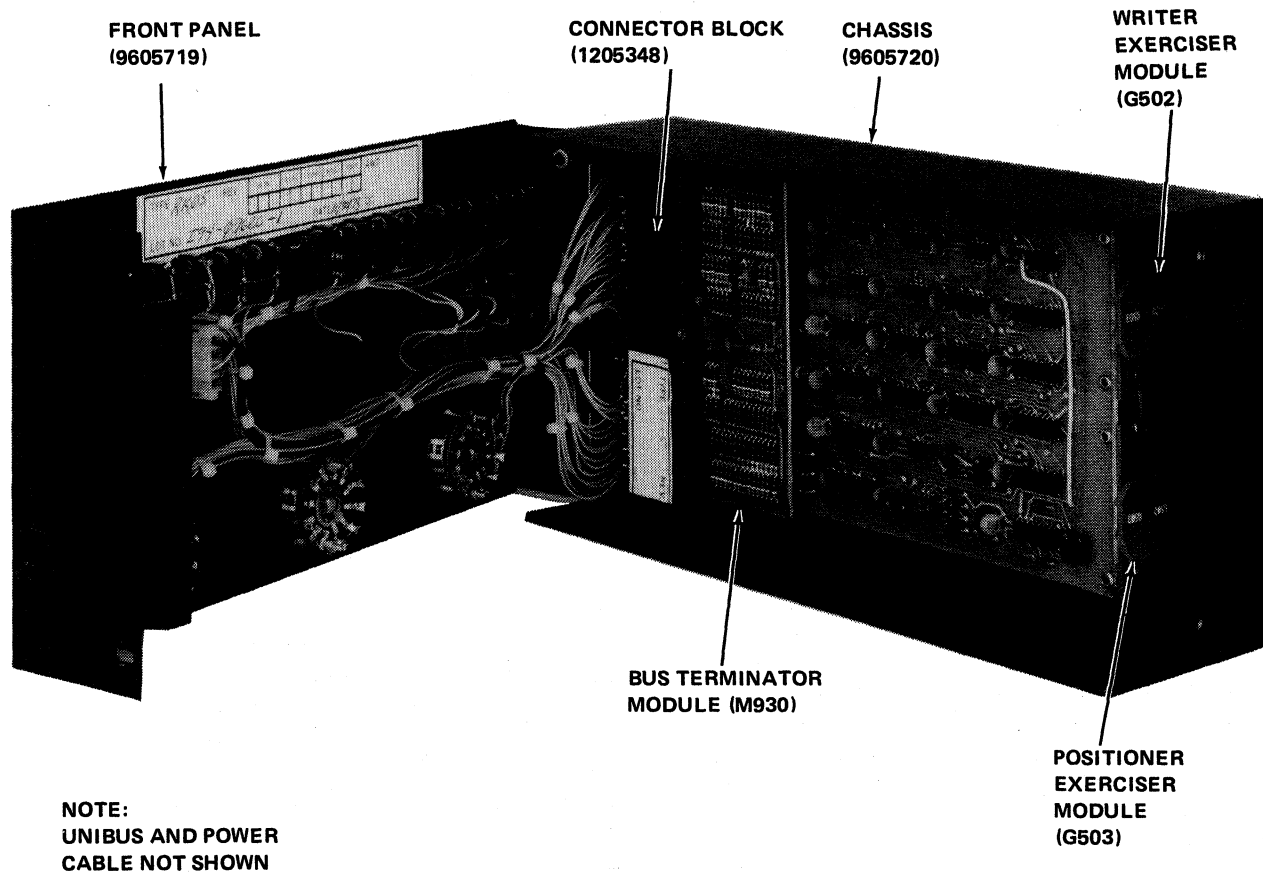
The G503 Positioner Exerciser Module (Figure 1-1) is a dual height module that is mounted in slot 3 of the connector block. This module contains all the logic necessary to exercise the disk drive linear positioner circuitry. In response to front panel switch setting and disk drive control signal inputs, the module generates control signal and cylinder address outputs to the disk drive linear positioner circuitry. The module also monitors the disk drive fault lines and illuminates the front panel fault indicators when a fault is detected. Refer to engineering drawing D-CS-G503-0-1 for a complete physical layout and parts identification.

#### 1.3.4 Writer Exerciser Module

The G502 Writer Exerciser Module (Figure 1-1) is a dual height module that is mounted in slot 4 of the connector block. This module contains all the logic necessary to exercise the disk drive write circuitry. In response to front panel switch settings and disk drive control signal inputs, the module generates control signals, clock, and data outputs to the disk drive write circuitry. Refer to engineering drawing D-CS-G502-0-1 for a complete physical layout and parts identification.

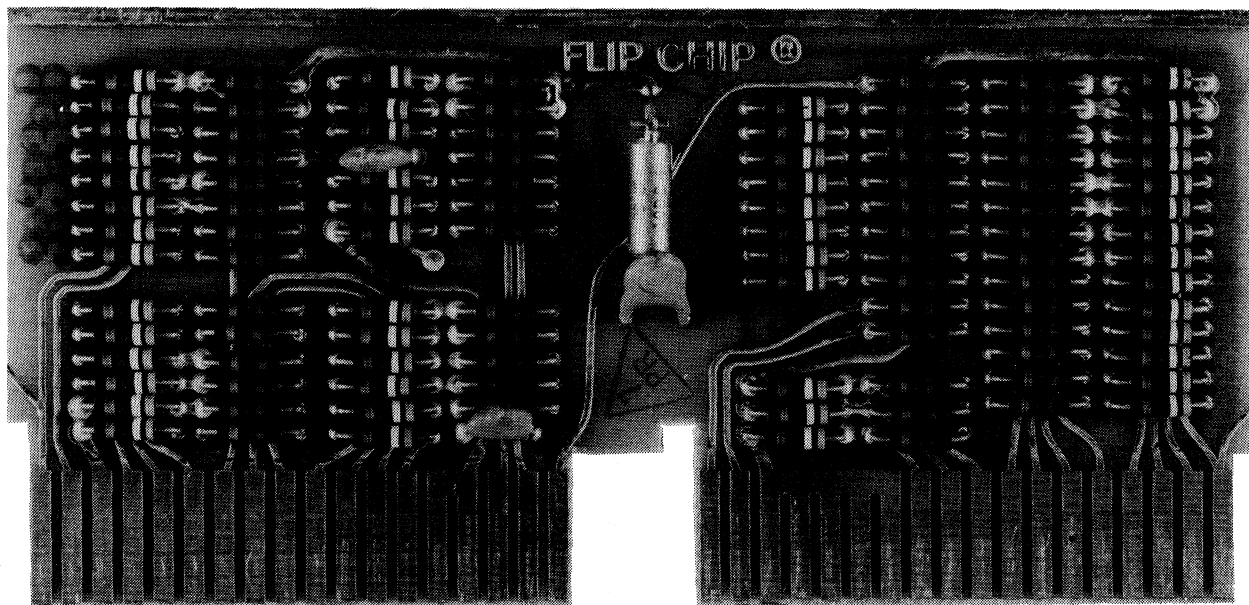
#### 1.3.5 Front Panel

The 9605719 front panel (Figure 1-1) contains a 4-pin female Mate-N-Lok input power connector and controls and indicators necessary to exercise the disk drive. Refer to engineering drawing D-UA-RK05-TA-0 for wiring data, parts identification, and a complete physical layout.



6891-1

Figure 1-1 RK05 Exerciser Components



6891-2

Figure 1-2 Bus Terminator Module

# CHAPTER 2 UNPACKING, SET-UP AND ACCEPTANCE TESTING

## 2.1 UNPACKING PROCEDURE

To unpack the RK05 Exerciser, proceed as follows:

1. Unpack the unit from the shipping container and inspect for damage. Damage claims should be directed to the responsible shippers.
2. Check that the Unibus and power cables are included with the exerciser.

## 2.2 SET-UP PROCEDURE

### NOTE

The RK05 Exerciser may be connected to one disk drive or as many as four disk drives simultaneously; however, the exerciser can only exercise one drive at a time.

1. To connect the RK05 Exerciser to one RK05 Disk Drive, the Unibus cable is installed as follows (Figure 2-1):
  - a. Unplug the disk drive ac power cord.
  - b. Open the exerciser chassis and mount either end of the Unibus cable assembly (BC11A) into slot 1 of the connector block.
  - c. Remove the disk drive prefilter and ensure that the bus terminator module is mounted in slot 7 of the disk drive electronic module.
  - d. Mount the other end of the Unibus cable assembly into slot 8 of the disk drive electronic module.
2. To connect the RK05 Exerciser to four RK05 Disk Drives, the Unibus cable is installed as follows (Figure 2-2):
  - a. Remove all power from the RK05 Disk Drives.
  - b. Disconnect the controller end of the Unibus cable, which connects the RK05 Disk Drive to the controller module.
  - c. Open the exerciser chassis and mount the disconnected Unibus cable into slot 1 of the connector block.
3. To install the RK05 Exerciser power cable, proceed as follows (Figure 2-1):
  - a. Remove the RK05 Disk Drive top cover.
  - b. Disconnect the P1 Mate-N-Lok connector on the disk drive power supply.
  - c. Connect the 9-pin female connector (J1) of the exerciser power cable to P1.
  - d. Connect the 9-pin male connector (P2) of the exerciser power cable to Mate-N-Lok connector J1 on the disk drive power supply.
  - e. Connect the 4-pin male connector (P1) of the exerciser power cable to the 4-pin female connector (J1) located on the exerciser front panel.

(continued on page 2-3)



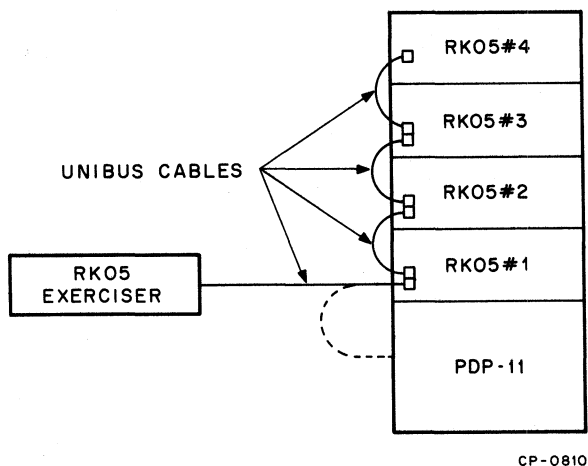


Figure 2-2 RK05 Exerciser to Multiple RK05 Disk Drives Connection Diagram

- f. Set the exerciser front panel Write Constant toggle switch to the down position.

**CAUTION**

The disk drive write circuitry must not be exercised while an alignment disk cartridge is installed in the disk drive as serious damage to the alignment tracks may result. The alignment disk cartridge is identified by a red access door and/or a red label.

- g. Apply power to the disk drive(s); observe the disk drive blower motor comes on immediately. After a short delay, the door lock solenoid energizes and the exerciser front panel POWER ON indicator illuminates.
- h. Set the disk drive RUN/LOAD switch to LOAD and insert the DECpack.
- i. Set the RUN/LOAD switch to RUN; observe the DECpack rotates.

- j. Set the exerciser front panel Drive Selector knob to the ID (disk drive identification number) of the disk drive to be exercised.

**2.3 ACCEPTANCE TEST PROCEDURE**

The exerciser is shipped ready-to-use. If the unit is not operating properly, refer to Chapter 5 (Maintenance) and diagnose and correct the problem. Service should be performed by qualified service personnel only.

To test the exerciser, obtain an RK05 Disk Drive that is known to be operating properly, and set the exerciser up for testing in accordance with the set-up procedure described in Paragraph 2.2. After completing the set-up procedure, perform the following test procedures.

**NOTE**

If faulty operation is detected at any point in the following procedure, refer to Chapter 5 and correct the fault before proceeding to the next step in the procedure.

**2.3.1 Writer Exerciser Module Test Procedure**

1. Set the Write Sector knob to "ALL."
2. Set the Head Select-UPPER/LOWER toggle switch to UPPER.
3. Depress the WRITE pushbutton repeatedly; observe the disk drive front panel WT indicator illuminates momentarily each time the WRITE pushbutton is depressed.
4. Set the Constant Write toggle switch to ON; observe the disk drive front panel WT indicator illuminates and does not extinguish until the Constant Write toggle switch is set to the down position.

**NOTE**

An oscilloscope (Tektronix 453 or equivalent) is required to perform the following steps.

5. Connect channel 1 scope probe to pin B08M2 on the RK05 Disk Drive logic block.

6. Toggle the exerciser Head Select toggle switch up and down; observe a HIGH level signal (+3 V) when the toggle switch is set to LOWER and a LOW level signal when the toggle switch is set to UPPER.
7. Set the oscilloscope controls as follows:
  - Vertical
    - Mode = ADD
    - Sensitivity = 1 V/div
    - Coupling = dc
  - Sweep
    - A sweep time = 5 ms/div
    - Trigger = Normal
8. Connect the channel 1 probe to B08L2 (WRITE GATE L) on the RK05 Disk Drive logic block.
9. Connect the channel 2 probe to A02R2 (INDEX PULSE) on the RK05 Disk Drive logic block.
10. Set exerciser Constant Write toggle switch to ON.
11. Set the Write Sector knob to 0; observe the display shown in Figure 2-3.

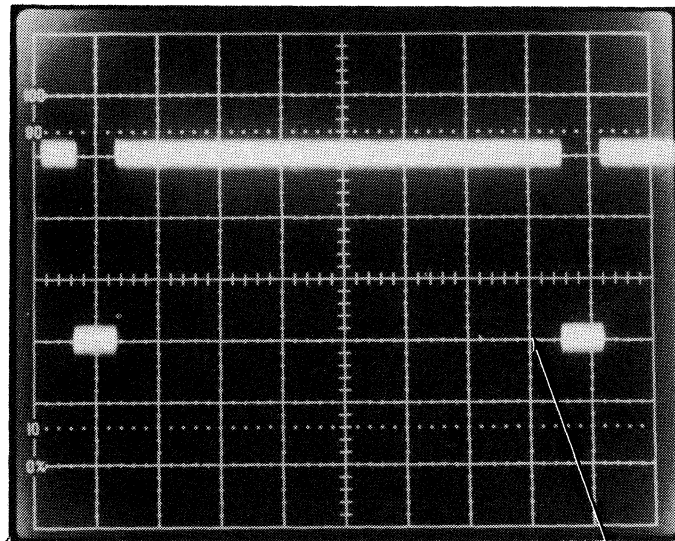
12. Set Write Sector knob to positions 1 through 9; observe the index pulse moves in discrete steps.

**NOTE**

The index pulse is not visible on the photograph shown in Figure 2-3 due to photographic resolution limitations.

13. Set the oscilloscope controls as follows:
  - Vertical
    - Mode = Ch 1
    - Sensitivity = 1 V/div
    - Coupling = dc
  - Sweep
    - A sweep time = 0.2  $\mu$ s/div
    - Trigger = Normal

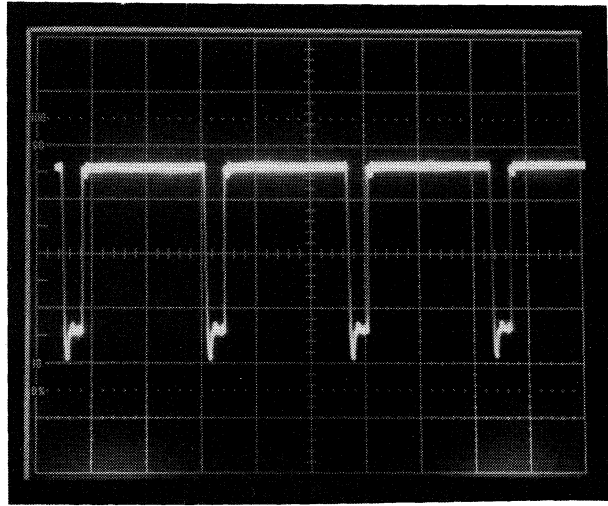
14. Set all exerciser Data Bit toggle switches to the 0 position.
15. Connect channel 1 scope probe to A08F2 on RK05 Disk Drive logic block and uncalibrate the scope horizontal sweep to display four negative-going pulses as shown in Figure 2-4a.
16. Set all four Data Bit toggle switches to the 1 position; observe eight negative-going pulses as shown in Figure 2-4b.



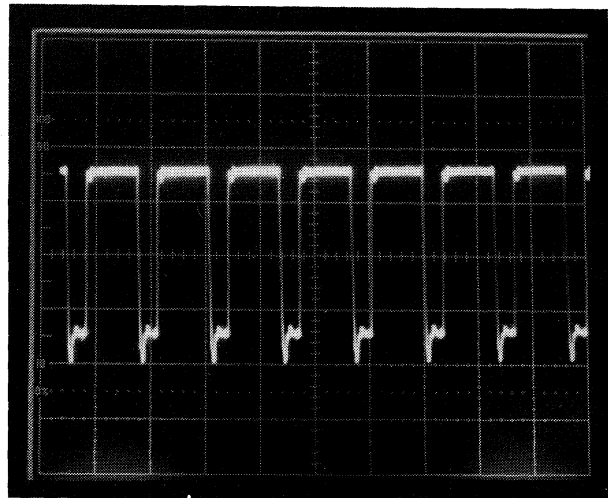
**INDEX PULSE APPEARS HERE**

Figure 2-3 Write Gate Data Waveform





a. Clock Waveform



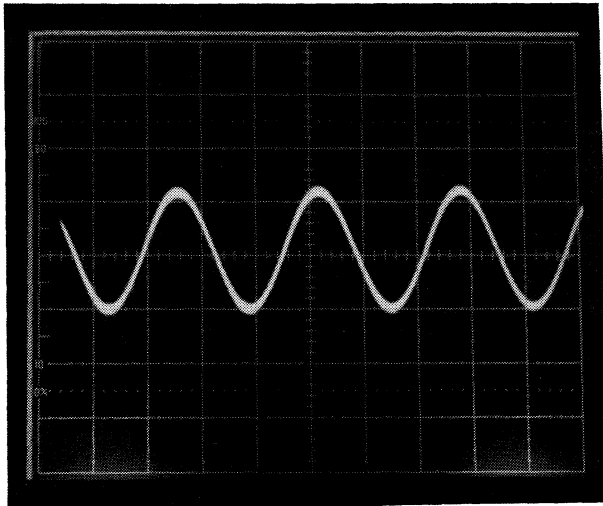
b. Clock and Data Waveform

Figure 2-4 Writer Exerciser Clock and Data Waveforms

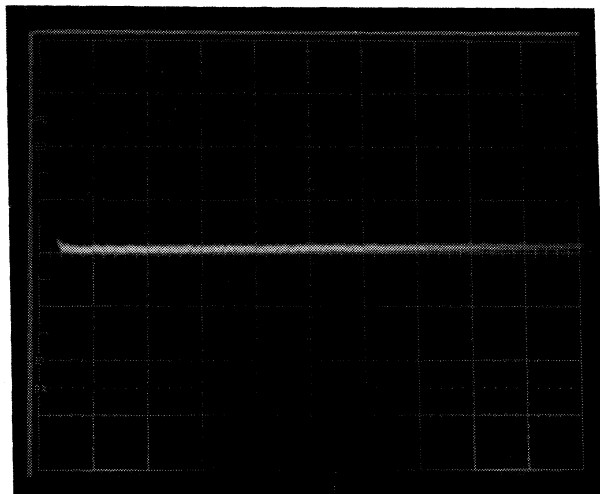
17. Toggle each of the Data Bit toggle switches; observe that each switch controls one of the negative-going pulses.
18. Set the oscilloscope controls as follows:
  - Vertical
    - Mode = CH 1
    - Sensitivity = 0.5 V/div
    - Coupling = dc
  - Sweep
    - A sweep time = 0.5  $\mu$ s/div
    - trigger = normal
19. Connect scope probe to TP3 on card G180 (AB01 in RK05 Disk Drive).
20. Set exerciser RUN switch to the down position.
21. Set exerciser Constant Write and DC Erase toggle switches to the down positions.
22. Set exerciser Write Sector knob to ALL.
23. Set exerciser Head Select toggle switch to UPPER.
24. Depress exerciser WRITE pushbutton; observe data appears on display as shown in Figure 2-5a.
25. Set exerciser Head Select toggle switch to LOWER and depress the WRITE pushbutton; observe data appears as shown in Figure 2-5a.
26. Set the exerciser Head Select toggle switch to UPPER.
27. Set the exerciser DC Erase toggle switch to ON and depress the WRITE pushbutton; observe data is erased completely as shown on Figure 2-5b.
28. Set the exerciser Head Select toggle switch to LOWER; observe data is still present as shown on Figure 2-5a.
29. Depress the exerciser WRITE pushbutton; observe data is erased completely as shown on Figure 2-5b.
30. Repeat steps 23 through 29 for sectors 0–9.

### 2.3.2 Positioner Exerciser Module Test Procedure

1. Set the Function knob to STEP.
  2. Set the FWD/REV switch to FWD.
  3. Set the RTZ toggle switch to the down position.
  4. Set the RUN switch to the up position; observe the linear positioner moves to ever increasing (inward) cylinder addresses.
  5. Set the FWD/REV toggle switch to REV; observe the linear positioner moves to ever decreasing (outward) cylinder addresses.
  6. Set all Cylinder Address toggle switches to 0.
  7. Set the Function knob to ALT; observe the linear positioner moves back and forth between cylinder address 0 and ever decreasing cylinder addresses.
  8. Set the FWD/REV switch to FWD; observe the linear positioner moves back and forth between cylinder address 0 and ever increasing cylinder address.
  9. Set the RUN toggle switch to the down position.
  10. Set the Function knob to OSC.
  11. Set the following Cylinder Address toggle switches to the 1 position: 128, 64, 8, and 2 (cylinder address 202).
  12. Momentarily set the RUN toggle switch to the up position; observe the linear positioner moves to cylinder address 202.
- NOTE**  
Refer to Figure 2-6 for instructions on reading the vernier.
13. Set Cylinder Address toggle switch 1, 4, 16, or 32 to the 1 position.
  14. Set the RUN toggle switch to the up position; observe the exerciser ADDR INV (address invalid) indicator illuminates.



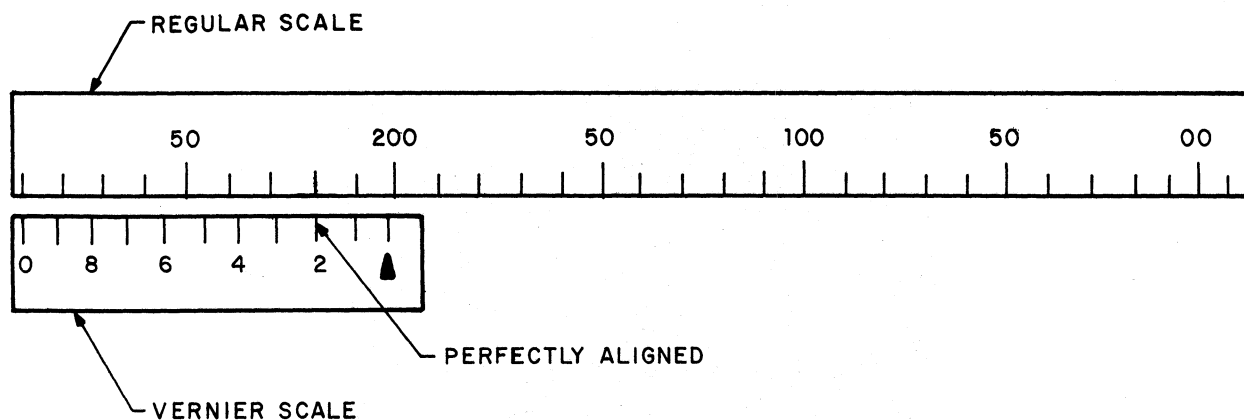
a. Write Data Waveform



b. Erase Data Waveform

Figure 2-5 Write Data Waveforms

15. Set the RUN toggle switch to the down position and set all Cylinder Address toggle switches to 0.
16. Set Cylinder Address toggle switch 128 to 1 and momentarily set the RUN toggle switch to the up position; observe the linear positioner moves to cylinder address 128.
17. Repeat steps 15 and 16 using each of the remaining Cylinder Address toggle switches.
18. Set the RUN toggle switch to the up position and set the Function knob to RAND; observe the linear positioner moves to random cylinder addresses.
19. Put the RK05 Disk Drive servo amp switch (located to the left of the positioner assembly) to the down position; observe the exerciser SEEK INC (Seek Incomplete) indicator illuminates. Return the servo amp switch to the up position.
20. Set the RTZ toggle switch to the up position; observe the linear positioner moves to cylinder address 0 and stops.



TO READ A VERNIER, proceed  
As follows:

- a. Determine the whole number value of the nearest regular scale marking to the right of Vernier scale triangle ( $\blacktriangle$ ).
- b. Add that value to the value of the vernier scale marking that aligns perfectly with a regular scale marking.
- c. In the illustration shown above the vernier reading is:
 

Regular Scale Marking	=	200
Vernier Marking	=	<u>2</u>
Vernier Reading	=	202

CP-0808

Figure 2-6 How to Read a Vernier

# CHAPTER 3 OPERATION

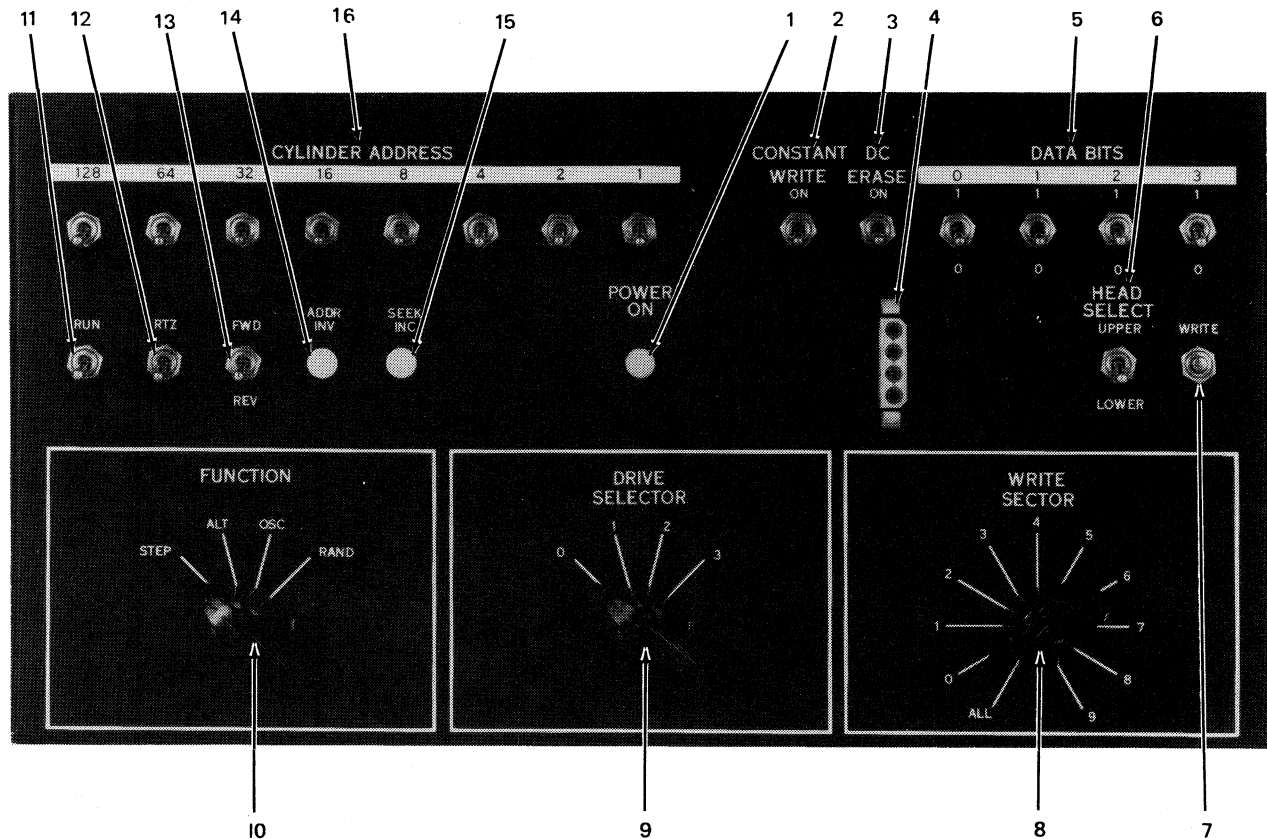
## 3.1 SCOPE

This chapter covers complete operation of the exerciser and includes a description of front panel controls and indicators and modes of operation and a utilization procedure.

## 3.2 CONTROLS AND INDICATORS

The RK05 Exerciser front panel (Figure 3-1) controls and indicators can be functionally separated into two categories: writer exerciser controls and positioner exerciser

controls and indicators. The writer exerciser controls directly control the writer exerciser logic and enable manual selection of the upper or lower disk drive read/write head. The positioner exerciser controls and indicators directly control the positioner exerciser logic and monitor disk drive fault lines and +15 V input power. The front panel drive selector knob selects the ID of the disk drive to be exercised. Figure 3-1 shows the exerciser front panel, and Table 3-1 provides a complete description of each control and indicator.



6891-4

Figure 3-1 RK05 Exerciser Front Panel Controls and Indicators

**Table 3-1  
Exerciser Controls and Indicators**

Item	Description	Function
1	POWER ON indicator	Illuminates when +15 V input power is present.
2	Constant Write-ON toggle switch	Enables the writer exerciser logic to perform repeated write operations on the selected sector.
3	DC Erase-ON toggle switch	Places a constant HIGH on the writer exerciser logic clock and data output line, thus erasing the selected sector.
4	4-Pin Connector	Input power connector, connects to RK05 Disk Driver power supply via the power cable.
5	Data Bits toggle switches	Enable manual selection of data bits output to the disk drive by the writer exerciser logic.
6	Head Select-UPPER/LOWER toggle switch	Selects read/write head at the selected RK05 Disk Drive.
7	WRITE pushbutton	Enables the writer exerciser logic to perform a single write operation on sectors 0–9 or all sectors.
8	Write Sector Knob	Selects sectors 0–9 or all sectors for writing by the writer exerciser logic.
9	Drive Sector Knob	Selects ID of disk drive to be exercised (switch output goes directly to disk drive).
10	Function Knob	<p>Selects one of four position exerciser modes of operation:</p> <ul style="list-style-type: none"> <li>a. Step</li> <li>b. Alternate</li> <li>c. Oscillate</li> <li>d. Random</li> </ul> <p>(See Paragraph 3.3 for a complete description of modes of operation.)</p>
11	RUN toggle switch	Enables the positioner exerciser to perform a position operation each time the disk drive enters the ready state, i.e., R/W/S READY L asserts.

**Table 3-1 (Cont)**  
**Exerciser Controls and Indicators**

Item	Description	Function
12	RTZ toggle switch	Clears the address counter to a count of 0, extinguishes the ADDR INV indicator if illuminated and asserts the RESTORE L output to disk drive. RESTORE L initiates a restore operation in the disk drive.
13	FWD/REV toggle switch	Enables the address counter to count up (FWD) or count down (REV).
14	ADDR INV indicator	Illuminates when the BUS ADDRESS INVALID L input line asserts. The disk drive asserts the BUS ADDRESS INVALID L line when the cylinder address is considered to be greater than 202.
15	SEEK INC indicator	Illuminates when the BUS SEEK INCOMPLETE input line asserts. The disk drive asserts BUS SEEK INCOMPLETE when the seek operation is not completed.
16	Cylinder Address – 1, 2, 4, 8, 16, 32, 64, 128 toggle switches	Enables manual selection of cylinder address for use in the alternate and oscillate modes.

### 3.3 MODES OF OPERATION

The positioner exerciser logic operates in four different modes selectable via the Function knob.

#### 3.3.1 Step Mode

In the step mode of operation consecutive cylinder addresses are provided to the disk drive. An address counter internal to the positioner exerciser logic is the source of the consecutive addresses. If the FWD/REV switch is set to FWD, the address counter starts at whatever count it contained when the step mode was selected and increments by one after each cylinder seek operation is completed. When cylinder address 202 is reached, the address counter is cleared to a count of 0 and continues to increment by 1. If the FWD/REV switch is set to REV, the address counter decrements by 1 after each cylinder seek operation; when a count of minus 1 is reached, the address counter is loaded to a count of 202 and the process continues.

Thus, in the step mode the positioner exerciser will generate all 203 cylinder addresses (0–202) consecutively and gate them out to the disk drive.

#### 3.3.2 Alternate Mode

In the alternate mode of operation, the positioner exerciser alternately selects the front panel Cylinder Address switches and internal address counter as the source of the cylinder address. The Cylinder Address switches are controlled manually by the operator and are normally set to address 0. However, these switches may be set to any address at the operator's discretion. If the FWD/REV switch is set to FWD, the internal address counter will increment by 1 each time the address counter is selected as the source of the cylinder address, i.e., on alternate cylinder seek operations. When the counter reaches a count of 202, it is cleared to 0 and the process continues.

#### 3.3.3 Oscillate Mode

The oscillate mode is similar to the alternate mode in that the positioner exerciser logic alternately selects the cylinder address switches and the internal address counter as the source of the cylinder address. In the oscillate mode, however, the internal address counter is held to a count of 0. Hence the cylinder seek operations oscillate back and forth between the contents of the manually controlled cylinder address switches and 0.

### 3.3.4 Random Mode

In the random mode, pseudo random cylinder addresses provided by the internal address counter are gated out to the disk drive. An internal clock referred to as the fast clock is enabled in this mode which increments/decrements the address counter until a strobe occurs. When the strobe occurs the fast clock is shut off, the contents of the address counter is used to perform a seek operation, and the counter is incremented/decremented by 1. The fast clock is then enabled again and the process is repeated. If the FWD/REV switch is set to FWD, the cylinder address of each successive cylinder seek operation is greater than that of the previous operation until a count of 202 is reached. At a count of 202, the counter is cleared and the process continues. If the FWD/REV switch is set to REV, the cylinder address of each successive cylinder seek operation

is less than the previous operation until a count of minus 1 is reached. At a count of minus 1, the counter is loaded to a count of 202 and the process continues.

### 3.4 UTILIZATION PROCEDURE

To exercise the RK05 Disk Drive, set up the exerciser and disk drive per Paragraph 2.2 and perform the following operating procedures (Table 3-2).

#### CAUTION

**DO NOT** attempt to exercise the disk drive write circuitry with an alignment disk cartridge installed in the disk drive as serious damage to the alignment tracks may result. The alignment disk cartridge is identified by a red access door and/or a red label.

Table 3-2  
Exerciser Operating Procedure

Procedure	Indication
<ol style="list-style-type: none"> <li>1. To position the read/write heads to a particular cylinder:               <ol style="list-style-type: none"> <li>a. Set the RTZ and RUN toggle switches to the down position.</li> <li>b. Set the Function knob to OSC.</li> <li>c. Set the Cylinder Address toggle switches to the desired cylinder address (0-202).</li> <li>d. Quickly toggle the RUN toggle switch to RUN and off; repeat until positioner stops at the selected cylinder.</li> </ol> </li> </ol>	<p>Observe the linear positioner moves to the selected cylinder and stops.</p>
<ol style="list-style-type: none"> <li>2. To position the read/write heads to ever increasing cylinder addresses:               <ol style="list-style-type: none"> <li>a. Set the FWD/REV toggle switch to FWD.</li> <li>b. Set the Function knob to STEP.</li> <li>c. Set the RUN toggle switch to RUN.</li> </ol> </li> </ol>	<p>Observe the linear positioner moves to ever increasing cylinder addresses.</p>



**Table 3-2 (Cont)**  
**Exerciser Operating Procedure**

Procedure	Indication
<p>3. To position the read/write heads to ever decreasing cylinder addresses:</p> <ul style="list-style-type: none"> <li>a. Set the function knob to STEP.</li> <li>b. Set the FWD/REV toggle switch to REV.</li> <li>c. Set the RUN toggle switch to RUN.</li> </ul>	<p>Observe the linear positioner moves to ever decreasing cylinder address.</p>
<p>4. To alternately position the read/write heads to a selected cylinder address and ever increasing cylinder addresses:</p> <ul style="list-style-type: none"> <li>a. Set the RTZ and RUN toggle switches to the down position.</li> <li>b. Set the Function knob to ALT.</li> <li>c. Set the Cylinder Address toggle switches to the desired cylinder addresses (0–202).</li> <li>d. Set the FWD/REV switch to FWD.</li> <li>e. Set the RUN toggle switch to RUN.</li> </ul>	<p>Observe the linear positioner moves back and forth between the selected cylinder address and ever increasing cylinder addresses. When the increasing cylinder addresses reach 202, the positioner moves directly to cylinder address 0 and the process continues.</p>
<p>5. To alternately position the read/write heads to a selected cylinder address and ever decreasing cylinder addresses:</p> <ul style="list-style-type: none"> <li>a. Perform steps 4a through 4c.</li> <li>b. Set the FWD/REV switch to REV.</li> <li>c. Set the RUN toggle switch to RUN.</li> </ul>	<p>Observe the linear positioner moves back and forth between the selected cylinder address and ever decreasing cylinder addresses. When the decreasing cylinder addresses reach 0, the positioner moves directly to cylinder address 202 and the process continues.</p>

**Table 3-2 (Cont)  
Exerciser Operating Procedure**

Procedure	Indication
<p>6. To oscillate the read/write heads back and forth between a selected cylinder address and cylinder address 0:</p> <ul style="list-style-type: none"> <li>a. Set the RTZ and RUN toggle switches to the down position.</li> <li>b. Set the Function knob to OSC.</li> <li>c. Set the Cylinder Address toggle switches to the desired cylinder address (0–202).</li> <li>d. Set the RUN toggle switch to RUN.</li> </ul>	<p>Observe the linear positioner oscillates back and forth between cylinder address 0 and the selected cylinder address.</p> <p align="center"><b>NOTE</b></p> <p><b>If the Cylinder Address switches are set to address 0, the linear positioner will not move.</b></p>
<p>7. To randomly position the read/write heads to many different cylinder addresses:</p> <ul style="list-style-type: none"> <li>a. Set the RTZ and RUN toggle switches to the down position.</li> <li>b. Set the Function switch to RAND.</li> <li>c. Set the RUN toggle switch to RUN.</li> </ul>	<p>Observe the linear positioner moves randomly.</p>
<p>8. To move the read/write heads to cylinder address 0, set the RTZ switch to RTZ.</p>	<p>Observe the linear positioner moves to cylinder address 0 and stops.</p>

**Table 3-2 (Cont)  
Exerciser Operating Procedure**

Procedure	Indication
<p>9. To continuously write all sectors on a particular cylinder:</p> <ul style="list-style-type: none"> <li>a. Set all toggle switches to the down position.</li> <li>b. Set the Function knob to OSC.</li> <li>c. Position the Cylinder Address toggle switches to the desired cylinder address (0–202).</li> <li>d. Quickly toggle the RUN toggle switch to RUN and off. Repeat until positioner stops at the selected cylinder.</li> <li>e. Set the Head Select – UPPER/LOWER toggle switch to the desired position.</li> <li>f. Set the Data Bits toggle switch to the desired data configuration (Table 3-3).</li> <li>g. Set the Write Sector knob to ALL.</li> <li>h. Set the Constant Write toggle switch to ON.</li> </ul> <p>10. To write all sectors on a particular cylinder only once:</p> <ul style="list-style-type: none"> <li>a. Perform steps 9a through 9g.</li> <li>b. Depress the WRITE pushbutton.</li> </ul> <p>11. To write a particular sector on a particular cylinder continuously:</p> <ul style="list-style-type: none"> <li>a. Perform steps 9a through 9f.</li> <li>b. Set the Write Sector knob to the desired sector.</li> <li>c. Set the Constant Write toggle switch to ON.</li> </ul> <p>12. To write a particular sector on a particular cylinder only once:</p> <ul style="list-style-type: none"> <li>a. Perform steps 9a through 9g.</li> <li>b. Set the Write Sector knob to the desired sector.</li> <li>c. Depress the WRITE pushbutton.</li> </ul>	<p>Observe the linear position moves to the selected cylinder and stops.</p>

**Table 3-2 (Cont)  
Exerciser Operating Procedure**

Procedure	Indication
<p>13. To erase all sectors on a particular cylinder:</p> <ul style="list-style-type: none"> <li>a. Perform steps 9a through 9e.</li> <li>b. Set the Write Sector knob to ALL.</li> <li>c. Set the DC Erase toggle switch to ON.</li> <li>d. Depress the WRITE pushbutton.</li> </ul> <p>14. To erase a particular sector on a particular cylinder:</p> <ul style="list-style-type: none"> <li>a. Perform steps 9a through 9e.</li> <li>b. Set the Write Sector knob to the desired sector.</li> <li>c. Set the DC Erase toggle switch to ON.</li> <li>d. Depress the WRITE pushbutton.</li> </ul>	

**Table 3-3  
Data Bits Switch to Data Bit Correlation**

Data Bits Switch	Data Bit Selected
0	0, 4, 8, 12*
1	1, 5, 9, 13*
2	2, 6, 10, 14*
3	3, 7, 11, 15*

\*Bits 12, 13, 14, 15 are written only on 12 sector disk packs.

# CHAPTER 4

## THEORY OF OPERATION

### 4.1 SCOPE

This chapter provides a detailed description of the RK05 Exerciser. The description is provided in three parts: a functional description, a detailed logic description, and a flow diagram description.

### 4.2 FUNCTIONAL DESCRIPTION

Functionally, the exerciser circuitry can be separated into two logic sections: the writer exerciser and the positioner exerciser. The writer exerciser monitors the disk drive sector counter and BUS INDEX lines and generates control and data signals to exercise the disk drive write circuitry. The positioner exerciser monitors the disk drive R/W/S READY (Read/Write/Seek Ready) line and fault lines and generates control signals and cylinder addresses to exercise the disk drive linear positioner circuitry.

#### 4.2.1 Writer Exerciser

As illustrated in Figure 4-1, the writer exerciser is separated into four functional logic blocks: the sector decoder, the write control logic, the write clock, and the clock and data output multiplexer.

**4.2.1.1 Sector Decoder** – The sector decoder decodes the sector counter inputs from the disk drive and asserts one of ten sector select lines (0–9) to the front panel Write Sector switch. The disk drive continually updates the sector counter inputs to indicate the sector currently passing under the read/write heads. When the sector select line asserted corresponds to the position of the Write Sector switch, the WRITE GATE ENABLE line asserts.

**4.2.1.2 Write Control Logic** – The Write Control logic monitors the front panel Constant Write and WRITE switches and the disk drive BUS INDEX signal and enables or disables the write clock and the disk drive write circuitry accordingly.

If the Constant Write toggle switch is set to ON, the WRITE ENABLE line is constantly asserted thereby enabling the write clock to run continuously. The BUS WRITE GATE line then asserts whenever the WRITE GATE ENABLE line asserts. Thus, in the constant write mode, the BUS INDEX signal has no effect and the selected sector is written each time it passes under the read/write head.

If the Constant Write toggle switch is set to off (down) and the WRITE pushbutton is depressed, the first BUS INDEX pulse causes the WRITE ENABLE line to assert. The BUS WRITE GATE line will then follow the state of the WRITE GATE ENABLE line. After one revolution of the disk another BUS INDEX pulse occurs and clears the WRITE ENABLE and BUS WRITE GATE lines. Thus, the write clock is enabled for one revolution of the disk only and the selected sector is written only once.

**4.2.1.3 Write Clock** – When enabled, the write clock generates the clock pulses and control signals necessary to gate the clock pulses and data bits through the multiplexer.

**4.2.1.4 Clock and Data Output Multiplexer** – The clock and data multiplexer converts parallel data bit inputs from front panel Data Bits toggle switches into a serial data output and frames each data bit with clock pulses. Setting the front panel DC Erase toggle switch to ON causes a constant HIGH to be output on the BUS WRITE DATA AND CLOCK line thereby erasing the selected sector.

**4.2.1.5 Head Select Switch** – The output from the front panel Head Select switch selects either the upper or lower read/write head in the disk drive.

#### 4.2.2 Positioner Exerciser

As illustrated in Figure 4-1, the positioner exerciser is separated into five functional logic blocks: the strobe oscillator, the address counter control logic, the address counter, the cylinder address source select logic, and the fault detect logic.

**4.2.2.1 Strobe Oscillator** – The strobe oscillator monitors the front panel RUN switch and the R/W/S READY line from the disk drive and, when enabled, generates strobes to the address counter control logic, the cylinder address source select logic, and the disk drive. If the RUN switch is set to the down position, the strobe oscillator is disabled. Setting the switch to the up position conditions the strobe oscillator such that any assertion of the R/W/S READY input activates the oscillator.

**4.2.2.2 Address Counter Control Logic** – The address counter control logic, monitors the front panel Function and FWD/REV switches, and controls the operation of the address counter accordingly. The Function switch selects one of four operating modes and the FWD/REV switch determines whether the address counter will be incremented or decremented. Note that setting the RTZ switch to the up position overrides all other inputs to the address counter control logic by clearing and holding the address counter to a count of 0 and asserting the BUS RESTORE line to the disk drive. The following paragraphs describe the operation of the address counter control logic in each of the four modes.

**4.2.2.2.1 Step Mode** – In this mode the STEP input to the Cylinder Address source select logic asserts and causes ADDR CNTR SEL to assert. When the strobe oscillator generates a strobe, the ADDR CNTR BITS (0–7) are gated through the cylinder address source select logic and strobed into the disk drive. The disk drive linear positioner then performs a seek operation to the cylinder address indicated. If the front panel FWD/REV switch is set to FWD, the COUNT UP line then asserts and increments the address counter by 1. When the next strobe occurs, the ADDR CNTR BITS (0–7) are gated out again and the counter is incremented by 1. This continues until the counter reaches a count of 202. At a count of 202, the 202 DETECT line asserts, the counter is cleared to a count of 0, and the process continues. If the FWD/REV switch is set to REV, a strobe causes the COUNT DOWN line to assert decrementing the counter by 1 and upon reaching a count of minus 1, the counter is loaded to a count of 202. Thus, in the step mode, the disk drive performs seek operation to ever increasing or decreasing consecutive cylinder addresses.

**4.2.2.2.2 Alternate Mode** – In this mode, the ADDR CNTR SEL line asserts only on alternate strobes, causing the ADDR CNTR BITS (0–7) to be gated out to the disk drive and enabling the address counter to be incremented or decremented by 1. Thus, in the alternate mode, the disk drive linear positioner performs seek operations alternately to the cylinder address contained in the front panel

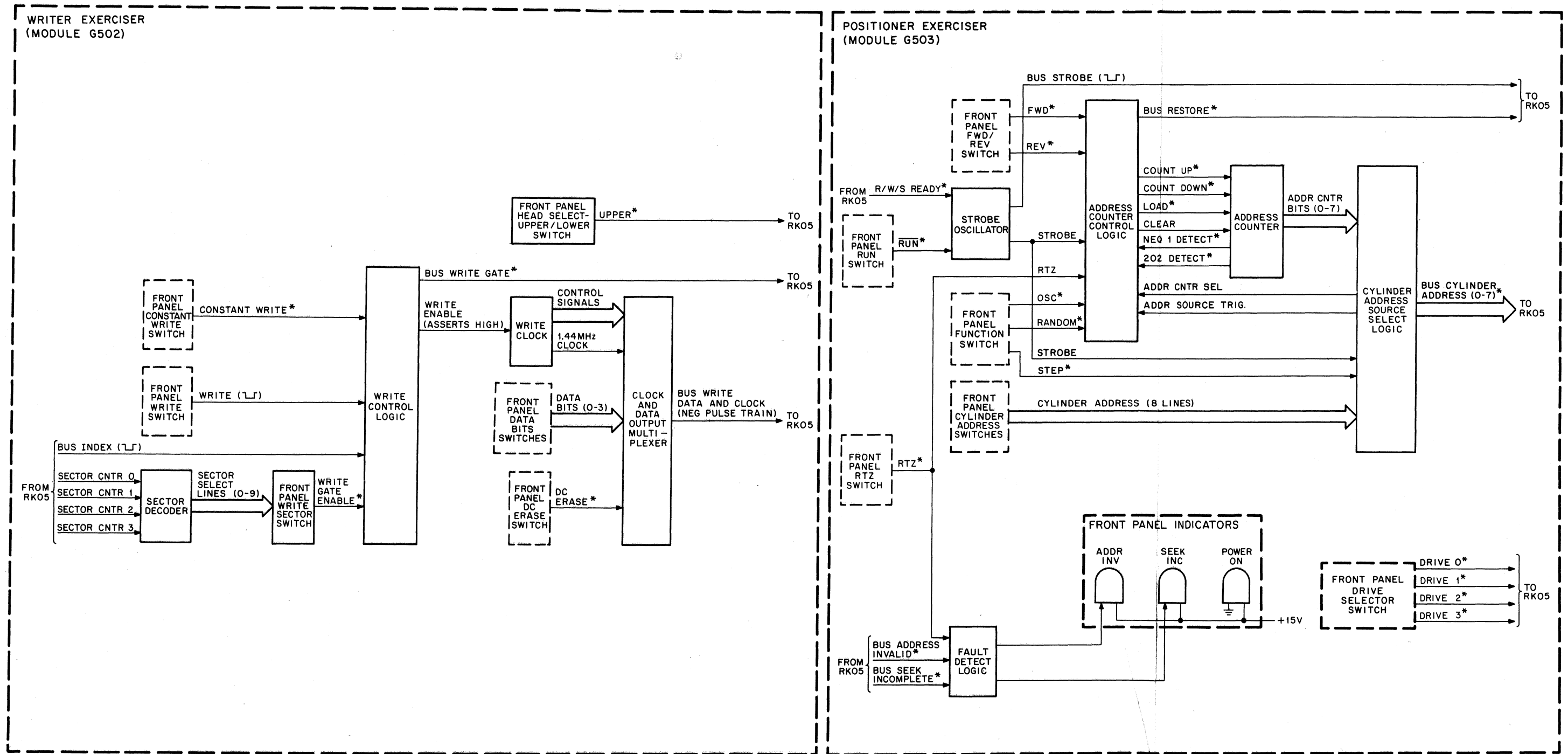
Cylinder Address switches and the address counter. Note that the Cylinder Address switches provide a fixed address while the address counter provides an ever increasing or decreasing address.

**4.2.2.2.3 Oscillate Mode** – In this mode, like the alternate mode, the ADDR CNTR SEL line asserts on alternate strobes. However, in the oscillate mode, the OSC line asserts causing the address counter control logic to assert the CLEAR line which clears the address counter to 0 and holds it there. Thus, in the oscillate mode, the disk drive linear positioner performs seek operations alternately to the cylinder address contained in the front panel Cylinder Address switches, which may be set to any address from 0 to 202, and the address counter, which is held to address 0.

**4.2.2.2.4 Random Mode** – In this mode, the STEP and RANDOM lines assert. The assertion of STEP causes ADDR CNTR SEL to assert, therefore, as in the step mode, each occurrence of a strobe in the random mode causes the ADDR CNTR BITS (0–7) to be gated out to the disk drive and the address counter to be incremented or decremented by 1. The random mode differs from the step mode, however, in that the assertion of the RANDOM line enables a fast clock internal to the address counter control logic. The fast clock increments or decrements the address counter between strobes. Hence, the cylinder addresses output to the disk drive are not consecutive, but rather, differ by varying amounts depending on the elapsed time between strobes. As a result, the seek operations performed by the disk drive linear positioner are pseudo-random.

**4.2.2.3 Address Counter** – The address counter outputs the ADDR CNTR BITS (0–7) to the cylinder address source select logic and asserts the NEQ 1 DETECT and 202 DETECT lines whenever those counts are reached. The inputs to the address counter from the address counter control logic enable the counter to be incremented by 1 from 0 to 202, decremented by 1 from 202 to 0, cleared to a count of 0 and loaded to a count of 202.

**4.2.2.4 Cylinder Address Source Select Logic** – The cylinder address source select logic monitors the front panel Function switch and selects either the front panel Cylinder Address switches or the address counter as the source of the cylinder address accordingly. If the Function switch is set to ALT or OSC, the STEP input is cleared and the strobe input alternately selects the address counter input and Cylinder Address switch input as the cylinder addresses source. If the Function switch is set to STEP or RAND, however, the STEP input asserts and the address counter input is constantly selected as the cylinder address source and the strobe input has no effect.



\* These signals are a logical low (OV) when asserted.

CP-0809

Figure 4-1 RK05 Exerciser Functional Block Diagram

**4.2.2.5 Fault Detect Logic** – The fault detect logic monitors the BUS ADDRESS INVALID and BUS SEEK INCOMPLETE inputs from the disk drive and lights the corresponding front panel indicator when either of the lines asserts. Assertion of the RTZ line causes the ADDR INV indicator to extinguish.

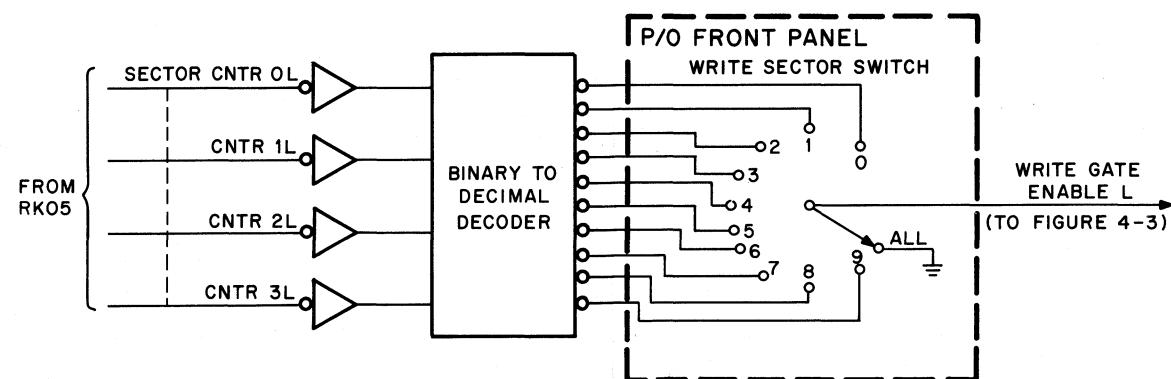
### 4.3 DETAILED LOGIC DESCRIPTION

The following paragraphs provide a detailed logic level description of each of the functional blocks shown in Figure 4-1.

#### 4.3.1 Writer Exerciser

**4.3.1.1 Sector Decoder and Write Sector Switch** – The sector decoder (Figure 4-2) decodes the SECTOR CNTR (0–3) inputs and asserts one of ten lines to the Write Sector switch. When the sector decoded corresponds to the position of the Write Sector switch, the WRITE GATE ENABLE L line asserts. If the Write Sector switch is set to ALL, WRITE GATE ENABLE L is always asserted.

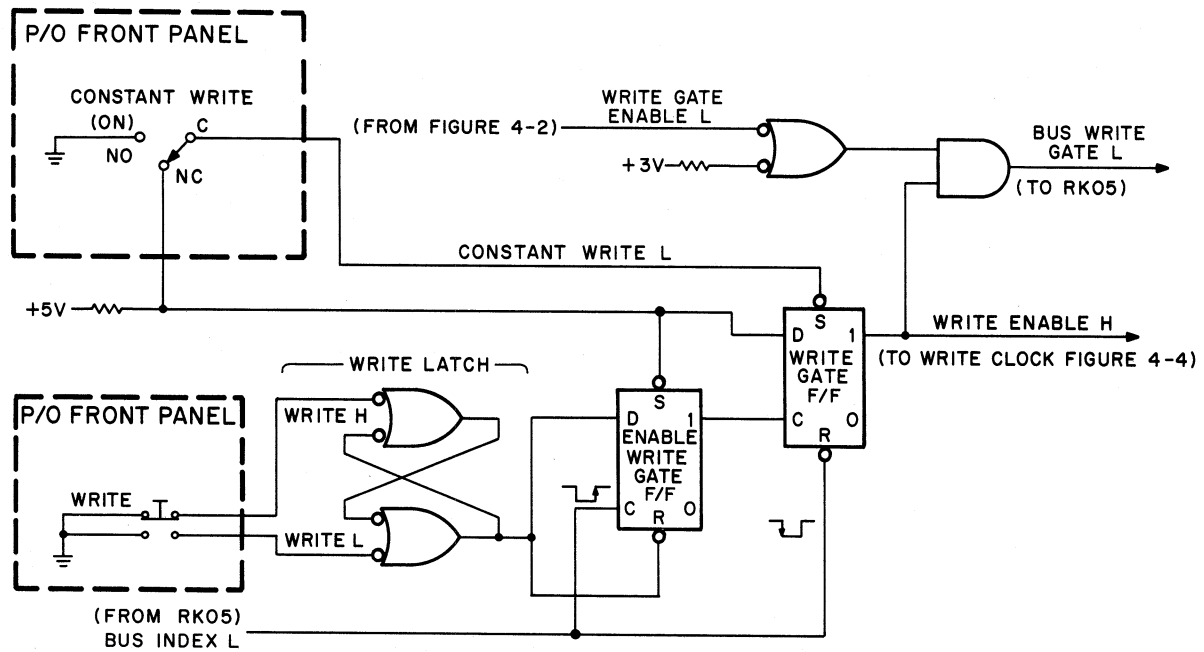
**4.3.1.2 Write Control Logic** – The write control logic (Figure 4-3) enables the disk drive to write the selected sector once or repeatedly. Setting the Constant Write switch to ON asserts CONSTANT WRITE L which sets the Write Gate flip-flop, thereby enabling the write clock and conditioning the bus write AND gate. Under these conditions, the write clock runs constantly and the BUS WRITE GATE L line asserts each time WRITE GATE ENABLE L asserts, i.e., each time the selected sector passes under the read/write heads. Setting the Constant Write switch to off (down) and depressing the WRITE pushbutton clears CONSTANT WRITE L and asserts WRITE L, which sets the Write Latch. When the bus index pulse occurs (the bus index pulse occurs once per disk revolution), the positive-going edge sets the Enable Write Gate flip-flop, which in turn sets the Write Gate flip-flop thus enabling the write clock and conditioning the bus write AND gate. BUS WRITE GATE L then asserts when the selected sector passes under the read/write heads and immediately thereafter the selected sector is written. The very next bus index pulse then resets the Write Gate flip-flop on its negative-going edge. Note that releasing the WRITE pushbutton clears the Write Latch and resets the Enable Write Gate flip-flop.



CP-0826

Figure 4-2 Sector Decoder and Write Section Switch Diagram





CP-0827

Figure 4-3 Write Control Logic

**4.3.1.3 Write Clock** – The write clock generates the clock pulses and control signals necessary to gate clock pulses and data bits through the clock and data multiplexer (Figure 4-4). See timing diagram (Figure 4-5) for logic operation. Note that the clock runs as long as WRITE ENABLE H is asserted.

**4.3.1.4 Clock and Data Output Multiplexer** – The clock and data output multiplexer serially outputs the clock pulses and data bits such that each data bit is preceded and succeeded by a clock pulse (Figure 4-6). Referring to Figure 4-5, note that the initial clock pulse is generated on the first assertion of CLOCK H. On the second assertion of CLOCK H, 1 L is cleared and the bit 0 AND gate is satisfied, gating bit 0 on to the output line. On the third assertion of CLOCK H, 1 L is asserted again generating a second clock pulse and so on.

#### 4.3.2 Positioner Exerciser

**4.3.2.1 Strobe Oscillator** – The strobe oscillator (Figure 4-7) generates strobes which are used internally and are also output to the disk drive to gate in the cylinder address. Setting the front panel RUN switch to the up position clears the RUN L line. When the disk drive is ready to execute another operation, the R/W/S READY L line asserts, turning the input driver off. With the driver off, the capacitor charges until the UJT (unijunction transistor) conducts, discharging the capacitor and generating a positive-going pulse which is inverted by the output inverter asserting STROBE L. The negative-going pulse output turns the output driver on, asserting BUS STROBE L. In response to BUS STROBE L, the disk drive initiates a seek operation and clears the R/W/S READY L input.

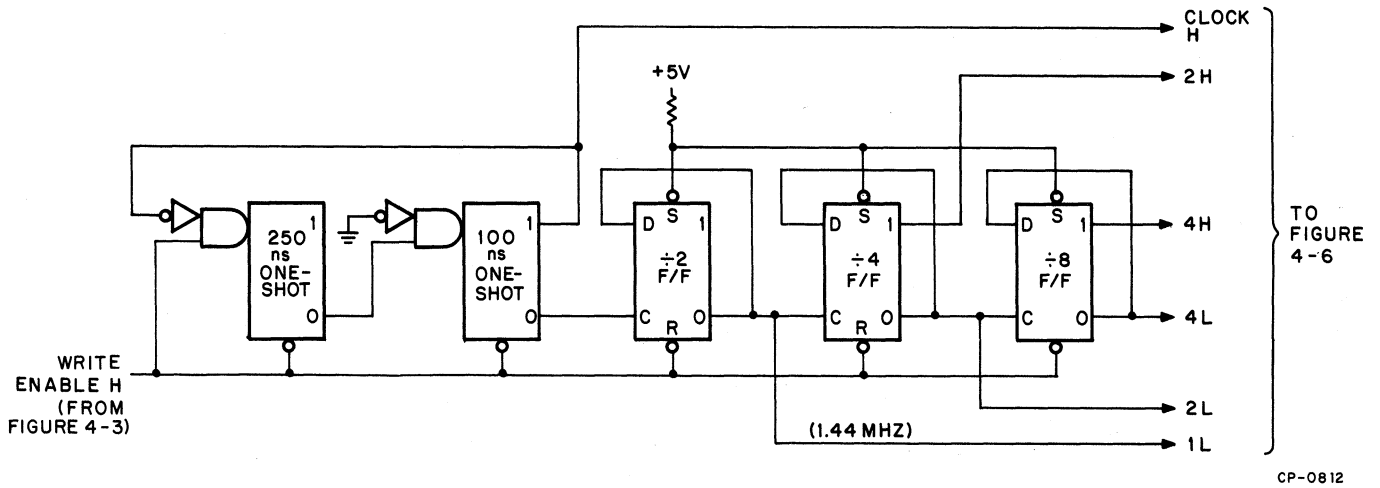


Figure 4-4 Write Clock

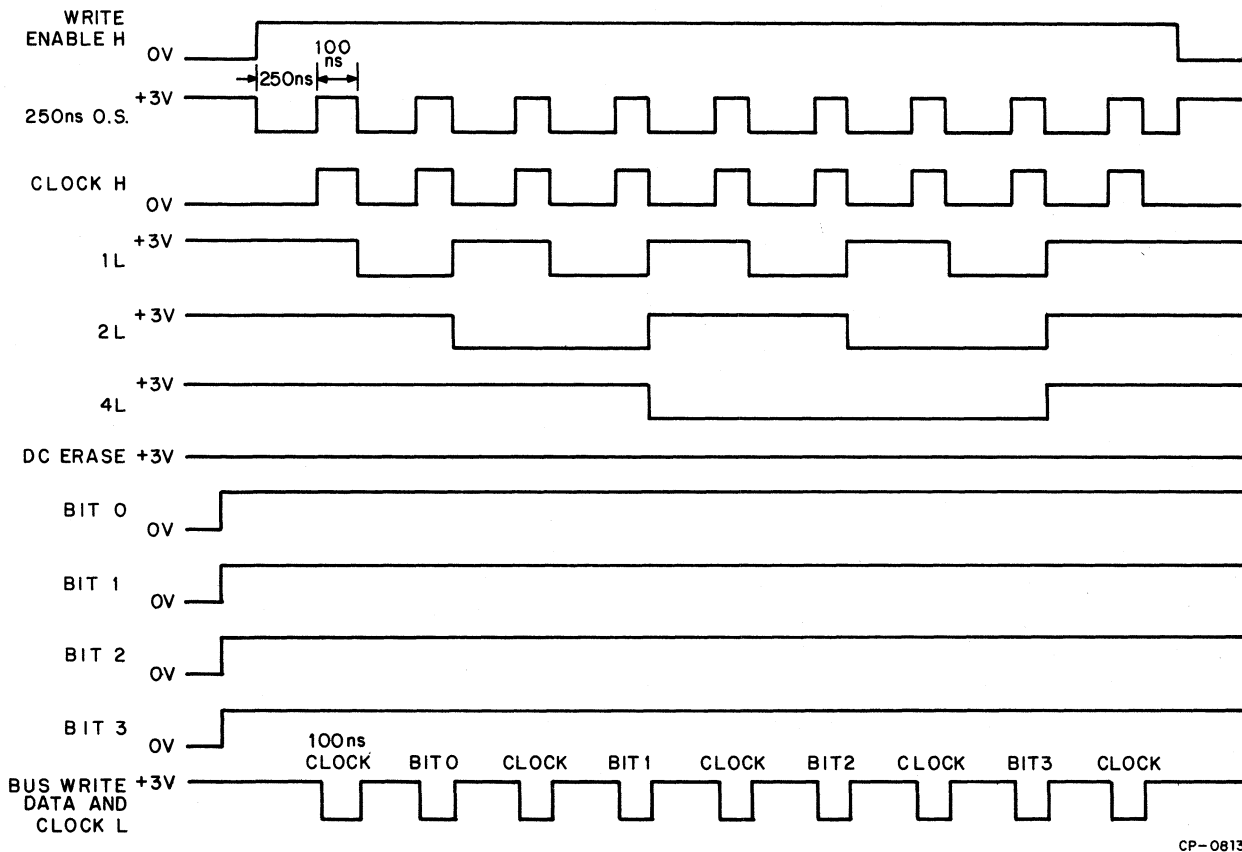
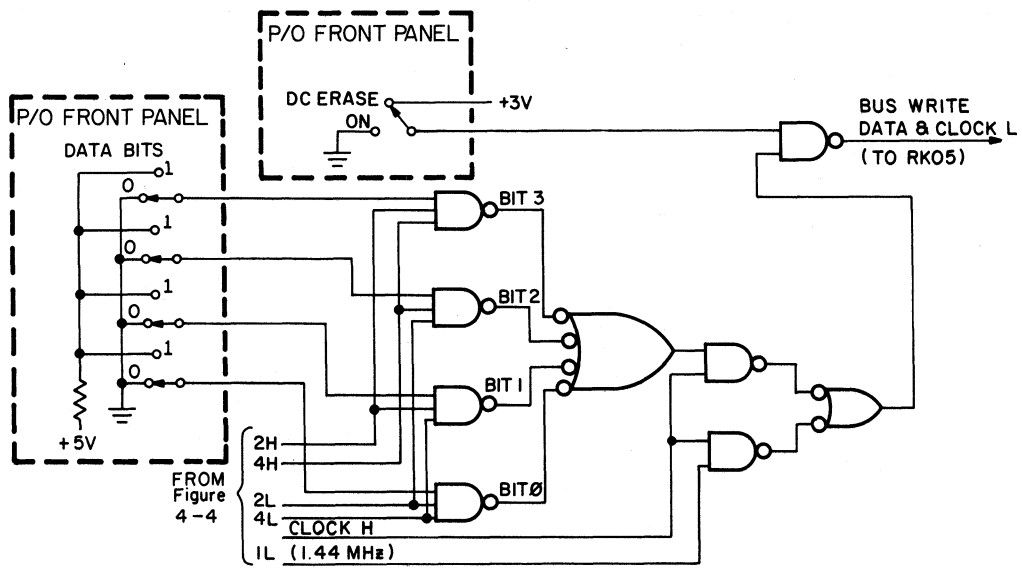
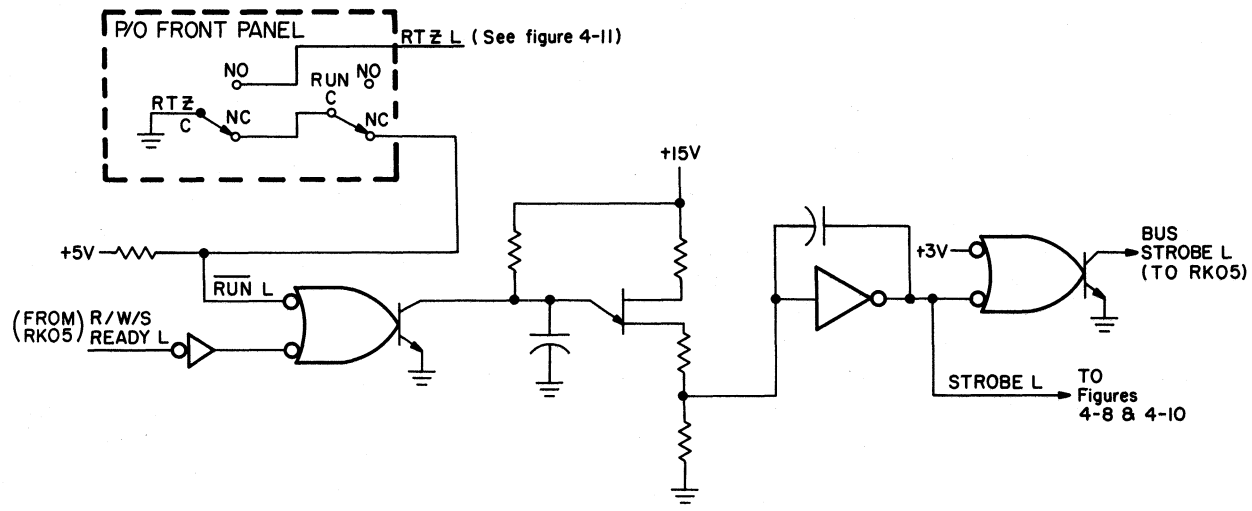


Figure 4-5 Write Clock and Multiplexer Timing Diagram



CP-0814

Figure 4-6 Clock and Data Multiplexer Logic



CP-0815

Figure 4-7 Strobe Oscillator

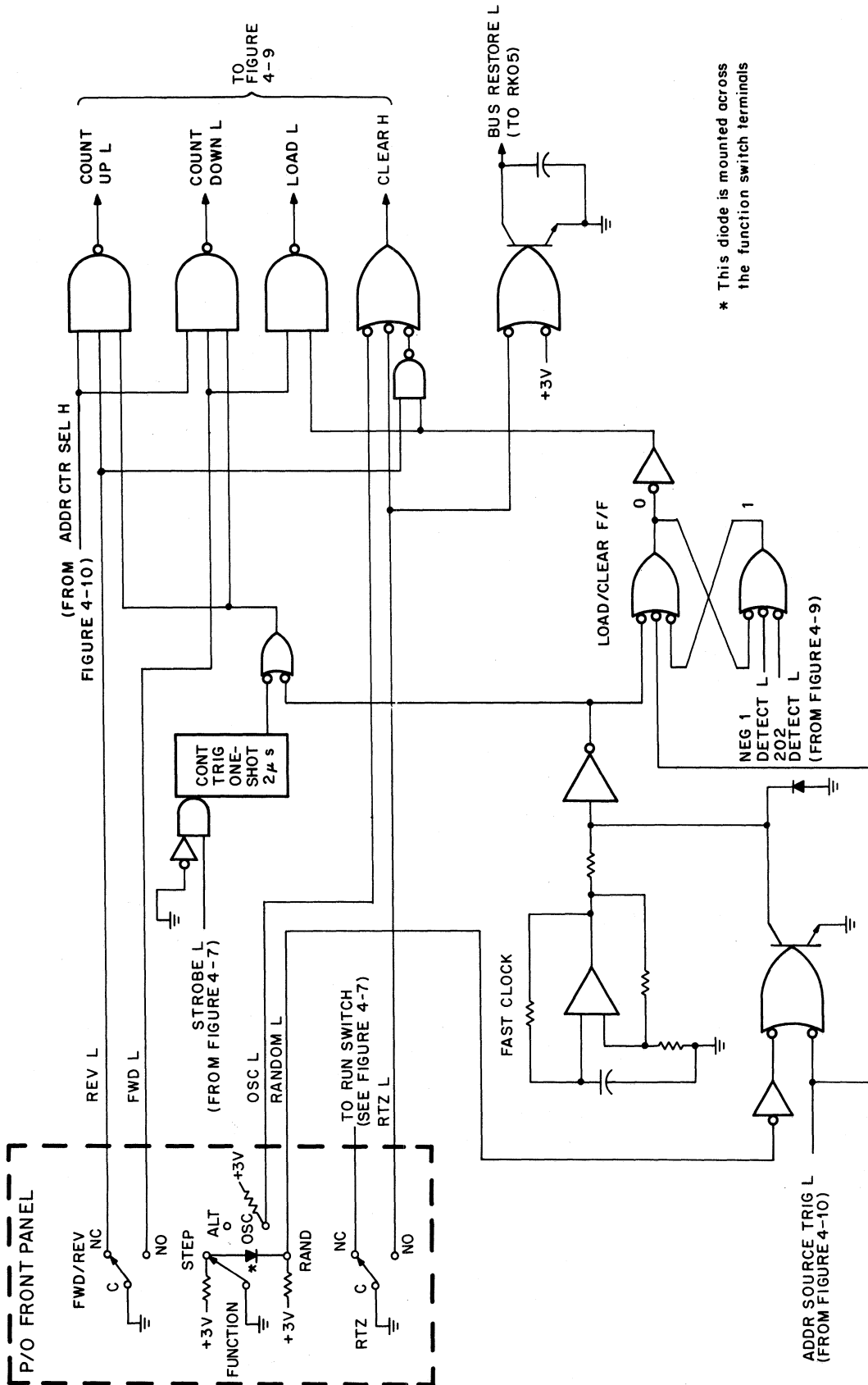
**4.3.2.2 Address Counter Control Logic** – The address counter control logic (Figure 4-8) monitors the front panel switches and manipulates the address counter in accordance with the mode of operation selected:

- a. **Step Mode** – If the step mode is selected and the FWD/REV switch is set to FWD, the ADDR CNTR SEL H line asserts (Paragraph 4.3.2.4 b), FWD L asserts, and REV L clears (goes HIGH). When the strobe oscillator outputs STROBE L, the count trigger one-shot triggers asserting COUNT UP L which increments the counter by 1 and ADDR SOURCE TRIG L asserts (Paragraph 4.3.2.4 b) and clears the Load/Clear flip-flop. This has no effect on the fast clock driver because RANDOM L is cleared holding the driver ON thereby disabling the fast clock. Therefore, in the step mode, successive strobes gate the count of the address counter to the disk drive and increment the counter until a count of 202 is detected. At a count of 202, the Load/Clear flip-flop is set, asserting CLEAR H which clears the counter to a count of 0. The very next strobe then asserts ADDR SOURCE TRIG L, clearing the Load/Clear flip-flop and incrementing the counter to a count of 1 and so on.
- b. **Alternate Mode** – If the alternate mode is selected and the FWD/REV switch is set to the REV position, the ADDR CNTR SEL H line clears on the first strobe thereby preventing the counter from being decremented. The first strobe also asserts ADDR SOURCE TRIG L which clears the Load/Clear flip-flop but does not affect the fast clock. On the second strobe, ADDR CNTR SEL H asserts causing COUNT DOWN L to assert decrementing the counter by 1. On the third strobe, ADDR CNTR SEL H clears hence the counter is only decremented

on alternate strobes. When the counter reaches a count of minus 1, the Load/Clear flip-flop is set and LOAD L asserts, loading a count of 202 into the counter. The very next strobe asserts ADDR SOURCE TRIG L, clearing the Load/Clear flip-flop.

- c. **Oscillate Mode** – If the oscillate mode is selected, OSC L is asserted clearing the counter to a count of 0 and holding it there.
- d. **Random Mode** – If the random mode is selected and the FWD/REV switch is set to FWD, the ADDR CNTR SEL H line asserts immediately and RANDOM L asserts, turning the fast clock driver off enabling the fast clock. The fast clock then outputs clock pulses which increment the counter and reset the Load/Clear flip-flop. When the first strobe occurs, ADDR SOURCE TRIG L asserts turning the fast clock driver on thereby inhibiting the fast clock pulses. The count trigger one-shot also triggers on the first strobe, incrementing the counter by 1. When ADDR SOURCE TRIG L clears, the fast clock starts incrementing the counter again. When the counter reaches a count of 202, the 202 DETECT L line asserts and the counter is cleared to a count of 0. Thus, in the random mode, the fast clock increments the counter until a strobe occurs; the strobe gates the count to the disk drive and increments the counter by 1. The fast clock then starts again and increments the counter until another strobe occurs. As a result, successive cylinder address outputs to the disk drive appear to be randomly selected.

Note that the assertion of RTZ L clears and holds the counter to a count of 0 and asserts BUS RESTORE L.



\* This diode is mounted across the function switch terminals

CP-0816

Figure 4-8 Address Counter Control Logic

**4.3.2.3 Address Counter** – The address counter (Figure 4-9) can count up from 0 to 202 and count down from 202 to minus 1. When the CLEAR H input asserts, the counter clears to a count of 0. When the LOAD L input asserts, the counter sets to a count of 202. When the counter reaches a count of 202 or minus 1, the respective count detect line asserts.

**4.3.2.4 Cylinder Address Source Select Logic** – The cylinder address source logic (Figure 4-10) monitors the front panel Function switch and selects the cylinder address source in accordance with the mode of operation selected:

a. **Alternate and Oscillate Modes** – In these modes, the strobe input to the address source select logic alternately selects the cylinder address switch inputs and the address counter inputs. If the Address Source flip-flop is reset when the first strobe occurs, the 4  $\mu$ s one-shot

triggers asserting ADDR SOURCE TRIG L which sets the Address Source flip-flop, thereby asserting SWITCH ADDR SEL H. The assertion of SWITCH ADDR SEL H selects the front panel Cylinder Address switch inputs. When the second strobe occurs, the 4  $\mu$ s one-shot triggers again but this time the Address Source flip-flop resets because the D-input to the flip-flop is low. Thus, the ADDR CNTR SEL H line asserts and selects the address counter inputs.

b. **Step and Random Mode** – In these modes, the STEP L input to the Cylinder Address source select logic is a constant LOW, holding the Address Source flip-flop in the reset state. Thus, the ADDR CNTR SEL H line is always asserted selecting the address counter inputs. Note however, that ADDR SOURCE TRIG L still asserts each time STROBE L asserts in these modes.

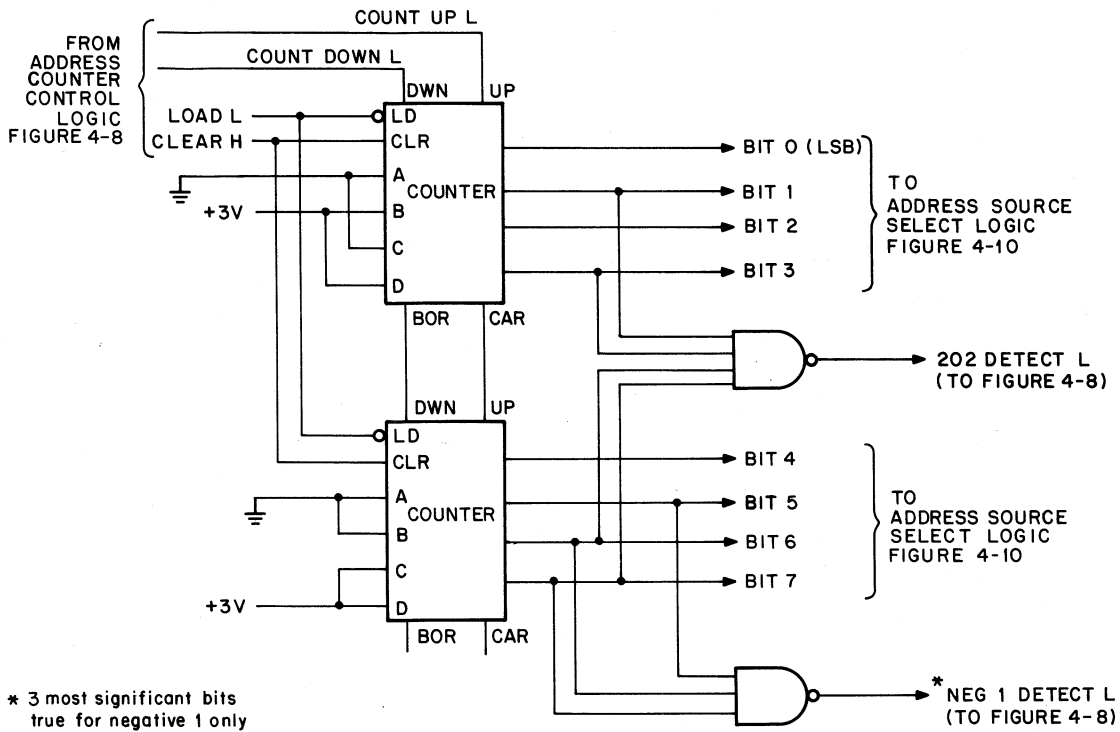
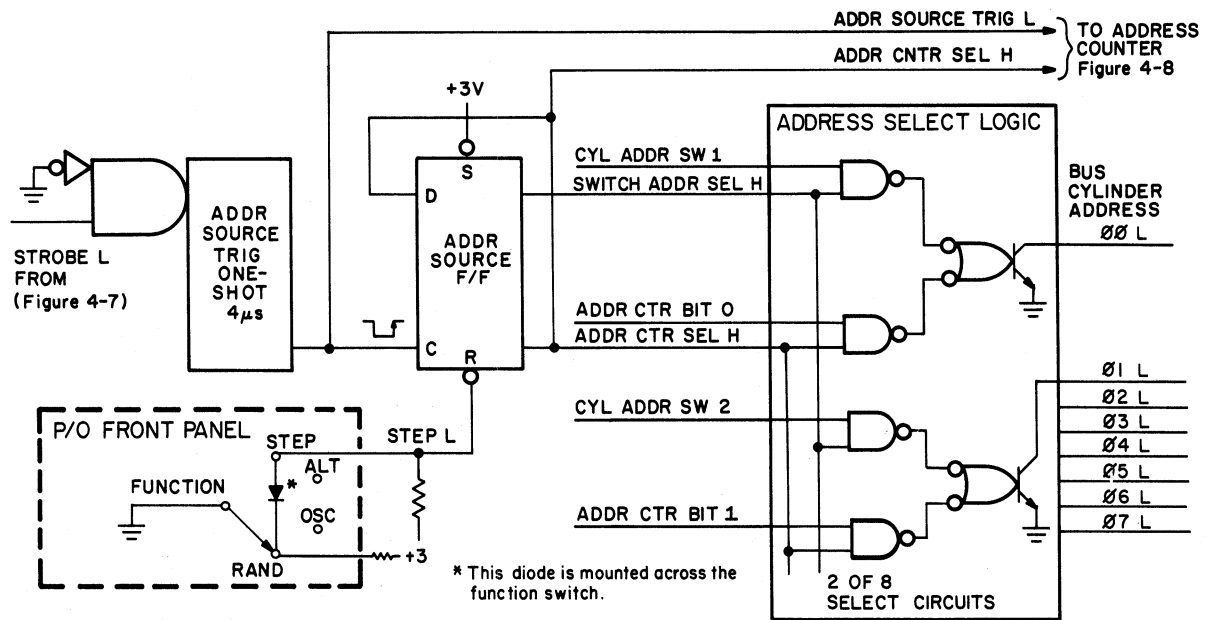


Figure 4-9 Address Counter Logic



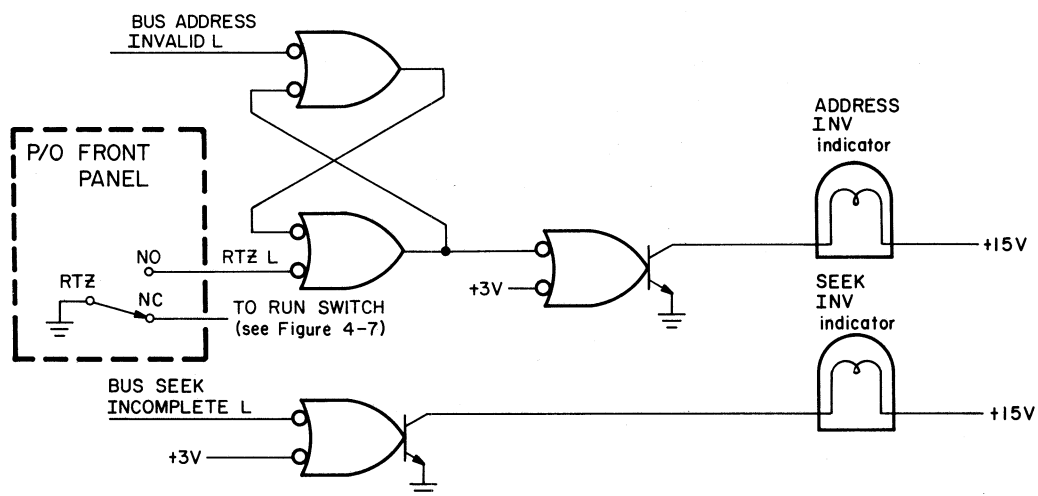
CP-0818

Figure 4-10 Cylinder Address Source Select Logic

**4.3.2.5 Fault Detect Logic** – The fault detect logic monitors the disk drive fault inputs (Figure 4-11). When BUS ADDRESS INVALID L asserts, the flip-flop sets turning the driver on. When the driver turns on, a ground is applied to the ADDRESS INV indicator causing it to illuminate. The indicator remains illuminated until the RTZ switch is set to the up position resetting the flip-flop. When BUS SEEK INCOMPLETE L asserts, a ground is applied to the SEEK INC indicator.

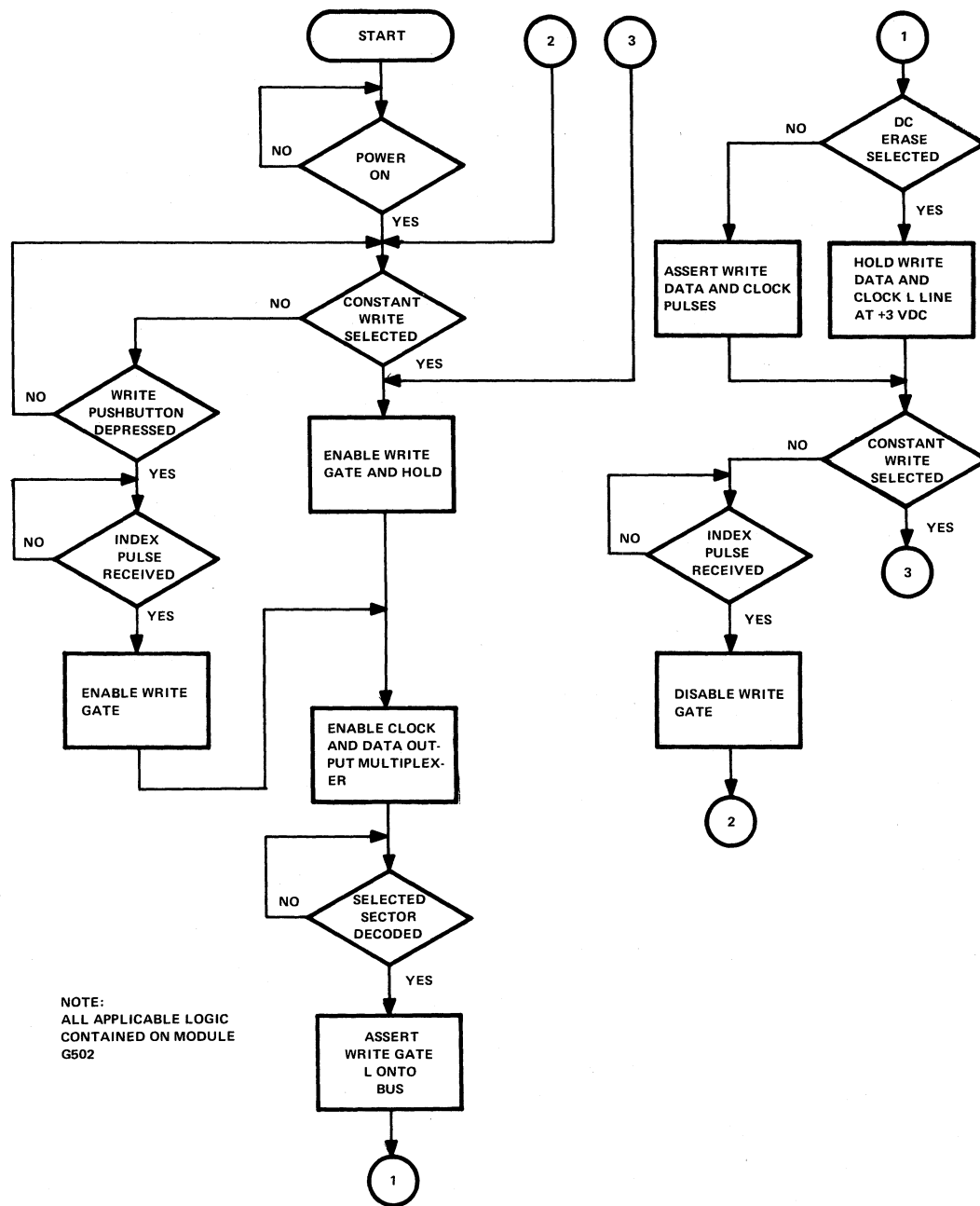
#### 4.4 FLOW DIAGRAM DESCRIPTION

The following flow diagrams provide a step by step explanation of the exerciser operating sequences. Figure 4-12 covers the writer exerciser module operation, and Figures 4-13 through 4-16 cover the positioner exerciser module operation in each of the four modes.



CP-0819

Figure 4-11 Fault Detect Logic



CP-0820

Figure 4-12 Writer Exerciser Flow Diagram



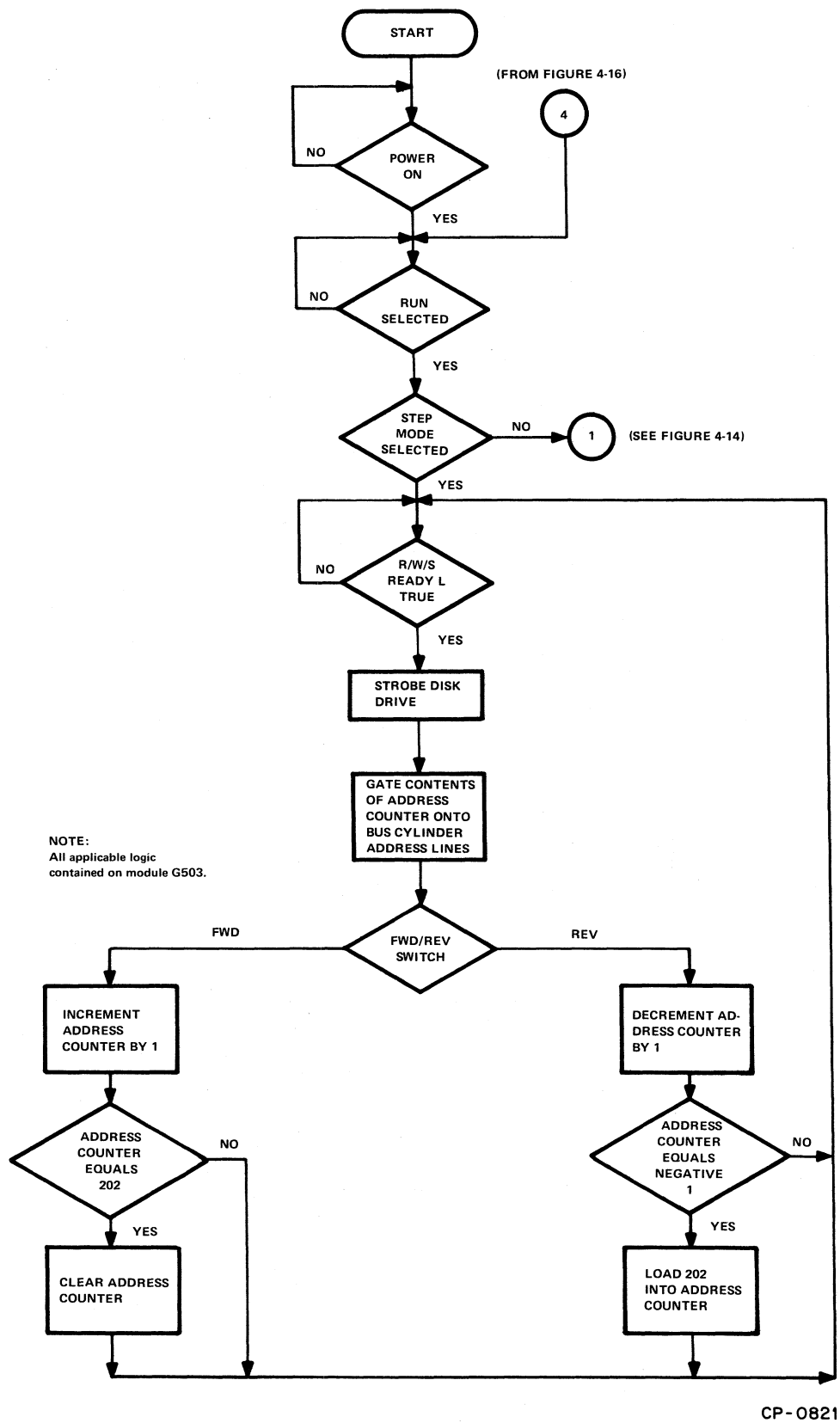
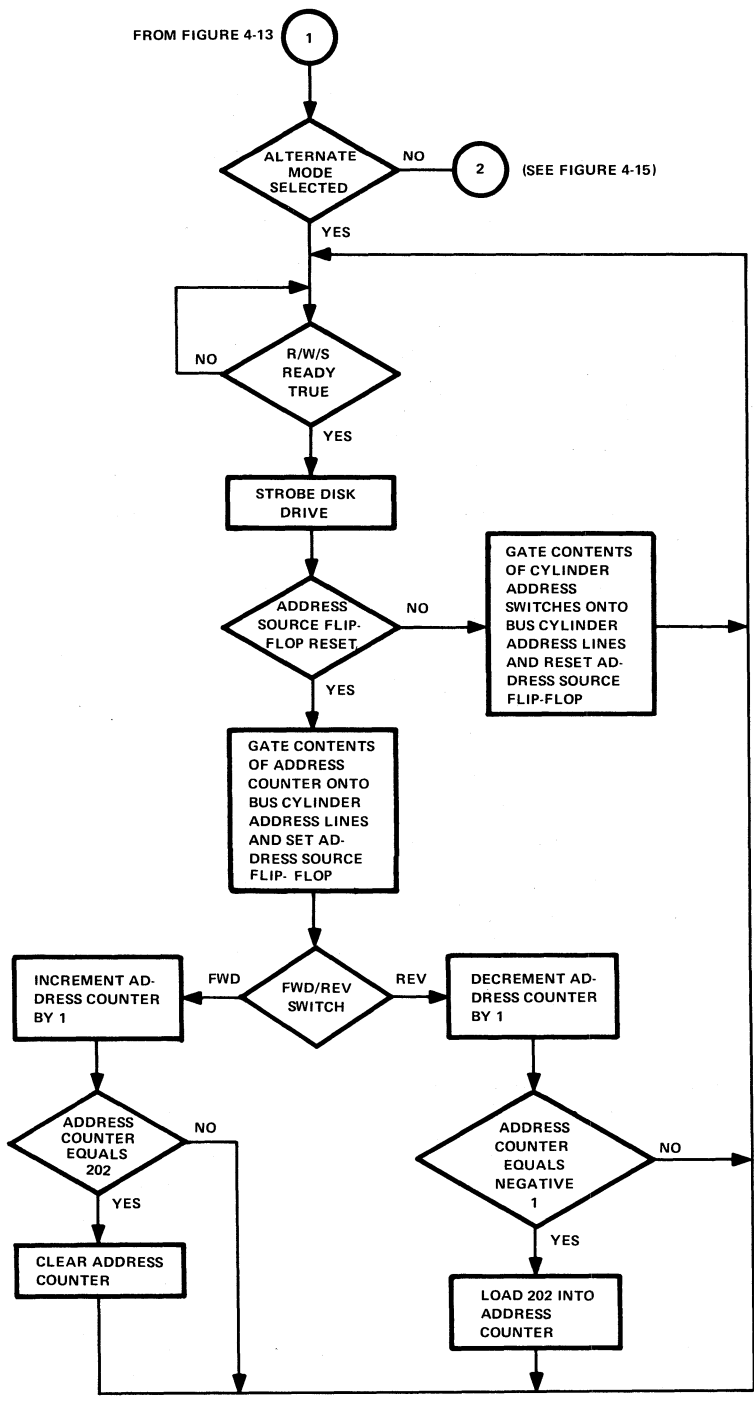


Figure 4-13 Positioner Exerciser Step Mode Flow Diagram



NOTE:  
ALL APPLICABLE  
LOGIC CONTAINED  
ON MODULE G503

CP-0822

Figure 4-14 Positioner Exerciser Alternate Mode Flow Diagram

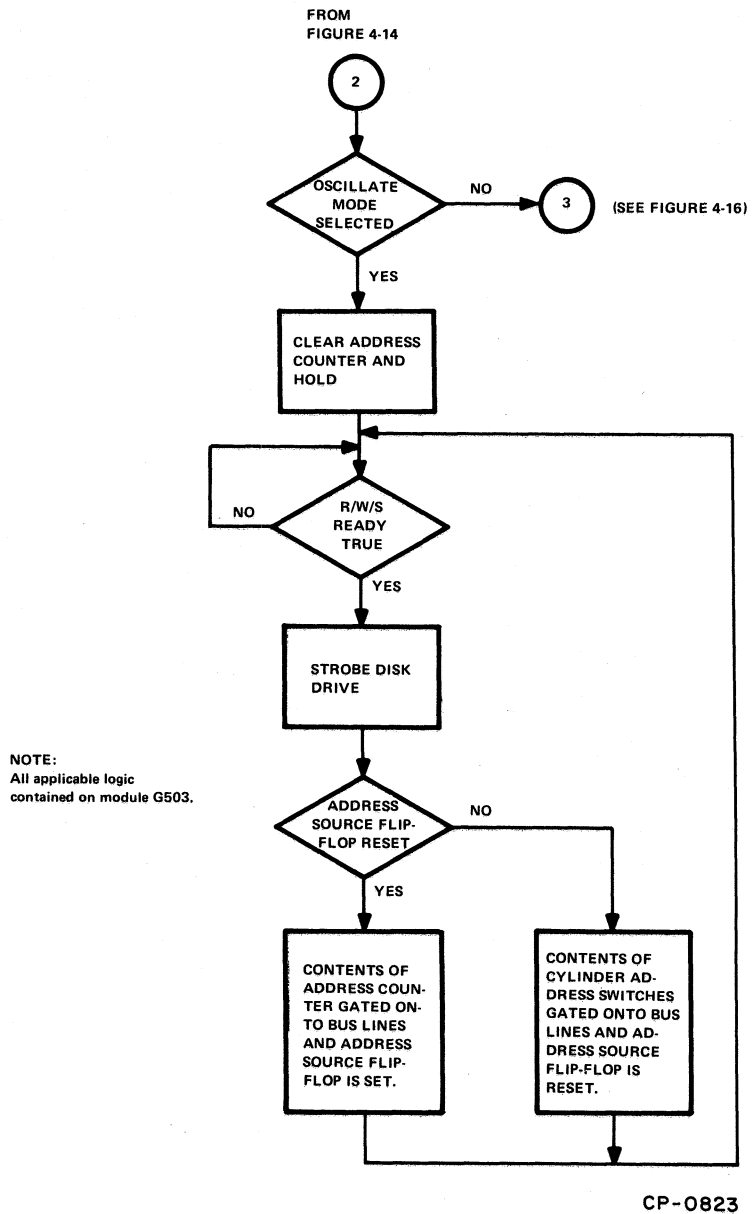
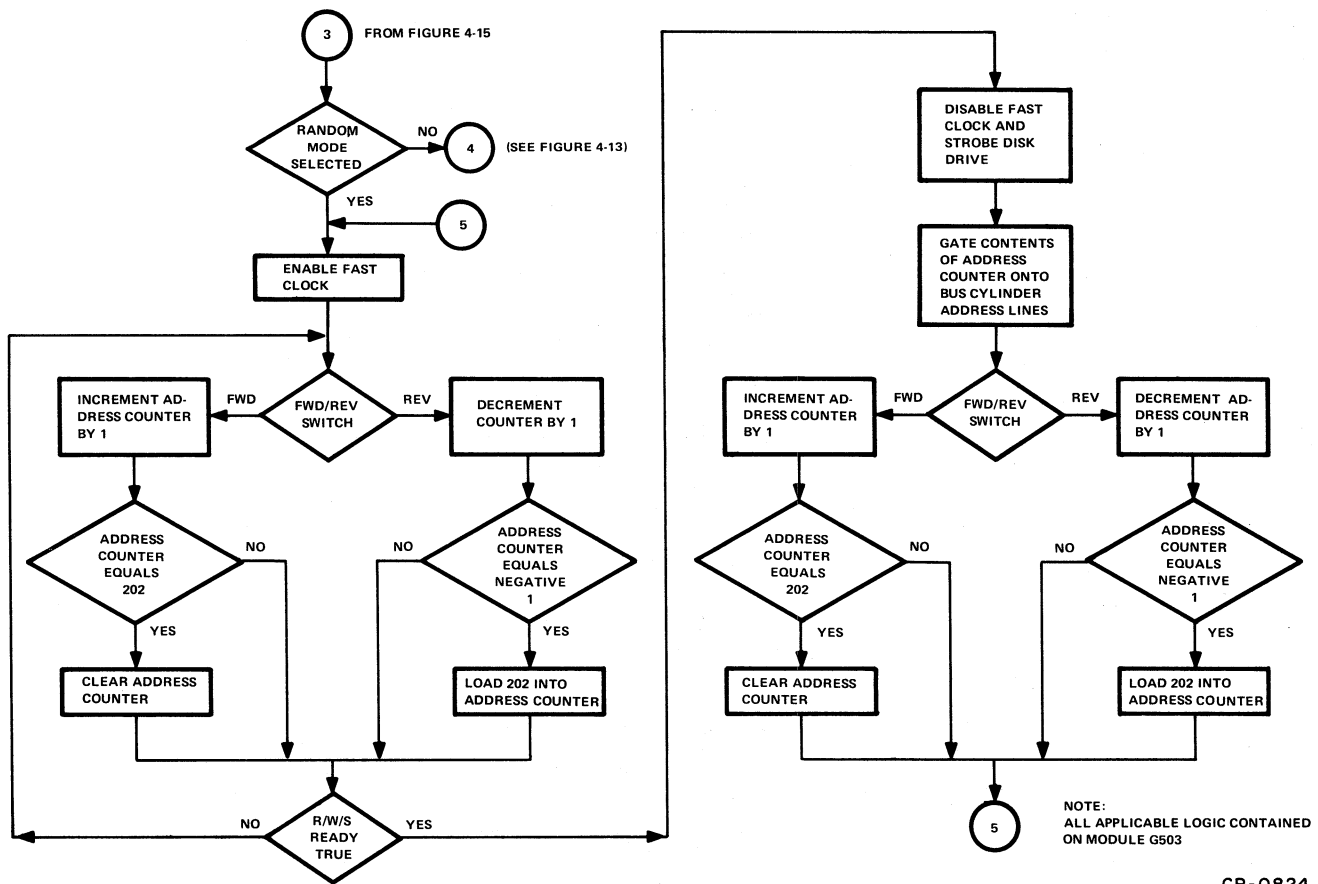


Figure 4-15 Positioner Exerciser Oscillate Mode Flow Diagram



CP-0824

Figure 4-16 Positioner Exerciser Random Mode Flow Diagram

# CHAPTER 5 MAINTENANCE

## 5.1 SCOPE

This chapter lists test equipment required and provides a complete description of exerciser maintenance procedures, including a preventive schedule and a corrective maintenance troubleshooting flow diagram.

## 5.2 MAINTENANCE PHILOSOPHY

Basically, exerciser maintenance consists of preventive and corrective maintenance procedures, and a maintenance log. The preventive maintenance procedures are performed regularly in an attempt to detect any damage caused by improper handling of the unit. The corrective maintenance troubleshooting flow diagram is provided to aid service personnel in isolating and repairing faults in exerciser

circuitry. The maintenance log (included in the back of this manual) is used to record all maintenance action and aid in detecting any component failure pattern that may develop.

## 5.3 TEST EQUIPMENT REQUIRED

Exerciser maintenance procedures require the test equipment, tools, and materials listed in Table 5-1, in addition to standard hand tools, cleaners, test cables, and probes.

## 5.4 PREVENTIVE MAINTENANCE

Preventive maintenance consists of tasks performed at periodic intervals to ensure proper equipment operation and minimum unscheduled maintenance. These tasks include visual inspection and operational checks. Table 5-2 provides a recommended preventive maintenance schedule.

Table 5-1  
Test Equipment Required

Equipment	Manufacturer	Designation
Oscilloscope	Tektronix	Type 453 or equivalent
X10 Probe (2)	Tektronix	P6008
Multimeter	Triplett/Simpson	Model 310/Model 260
Module Extender	DIGITAL	W984 (Dual Height)

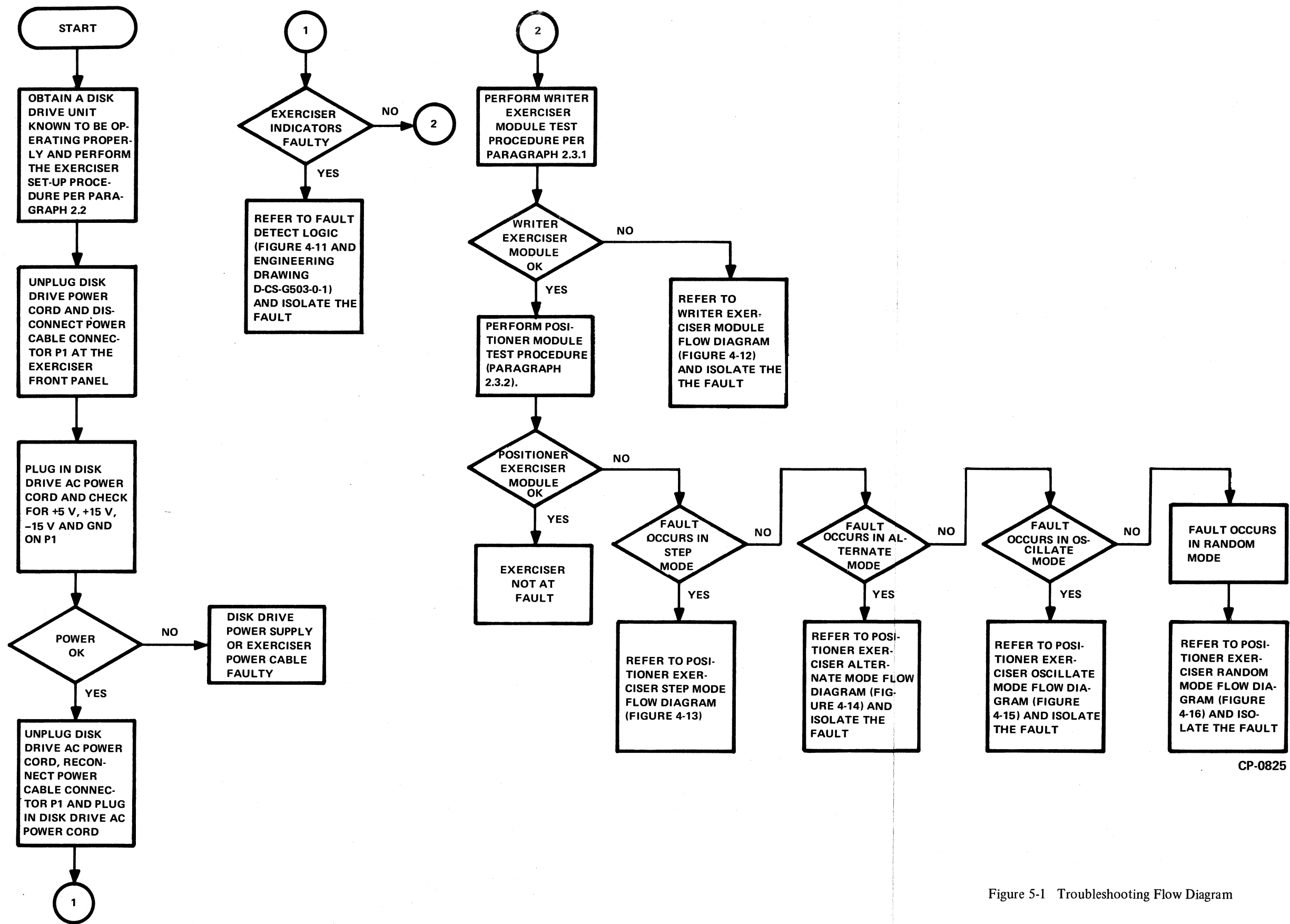
**Table 5-2  
Preventive Maintenance Schedule**

Performance Interval	Test or Procedure
Monthly	Visually inspect for physical damage, correct if required.
Monthly	Clean externally.
Monthly	Check that all modules are properly seated in the connector block.
Quarterly (Every 3 months)	Check that all indicators work properly.
Quarterly	Clean internally with vacuum cleaner or a soft brush.
Quarterly	Touch up external paint scratches or scrapes. Check for looseness of the knobs, switches, and indicators.

**5.5 CORRECTIVE MAINTENANCE**

The following information will aid the service technician in isolating failing exerciser components. The information is presented in flow diagram form such that correctly

functioning exerciser circuitry is systematically eliminated. Using the flow diagram (Figure 5-1) and logical deductive reasoning, faulty components can be located.



CP-0825

Figure 5-1 Troubleshooting Flow Diagram





# CHAPTER 6

## RK05 DISK DRIVE MAINTENANCE USING THE RK05 EXERCISER

### 6.1 SCOPE

This chapter contains RK05 Disk Drive alignment, check-out, and adjustment procedures which incorporate the use of the RK05 Exerciser as a maintenance aid. For additional maintenance information, refer to the *RK05 Disk Drive Maintenance Manual*, DEC-00-RK05-DB.

### 6.2 ALIGNMENT, CHECKS, AND ADJUSTMENTS

#### 6.2.1 Alignment Cartridges

**6.2.1.1 RK05K-AC Alignment Cartridge** – This DEC alignment cartridge represents the preferred method for RK05 alignment procedures. It provides three tracks (principal track 105, plus spare tracks 85 and 125) of constant frequency data with alternate sectors recorded at displacements of +0.0025 and -0.0025 inches, respectively, from the ideal track locations.

When a head is aligned to specifications, the readback signal shows equal amplitudes for all sectors (shown when the oscilloscope displays only two sectors and triggered by the SECTOR signal). The degree of amplitude inequality in alternating sectors indicates the departure from exact alignment.

Sector timing data is included on all three tracks to indicate head gap location relative to sector pulse detection. This data is represented by a single pulse (70  $\mu$ s nominal) following the INDEX pulse and 10  $\mu$ s prior to the onset of head alignment data.

The RK05K-AC alignment cartridge also indicates the degree of runout on the spindle. When the oscilloscope is triggered on INDEX and a complete revolution of the disk

is displayed, the head may appear to be aligned at some sector locations and misaligned at others. This condition indicates the degree of wobble of the spindle. Figure 6-1a shows a spindle with negligible runout; Figure 6-1b shows a spindle with considerable runout. The amount of wobble can be determined by the amplitude differences occurring in any adjacent pair of sector boundaries using the same equations used for head alignment.

#### NOTE

If the condition shown in Figure 6-1b exists, ensure that the mating of spindle and disk is clean. Improper mating can cause such runout.

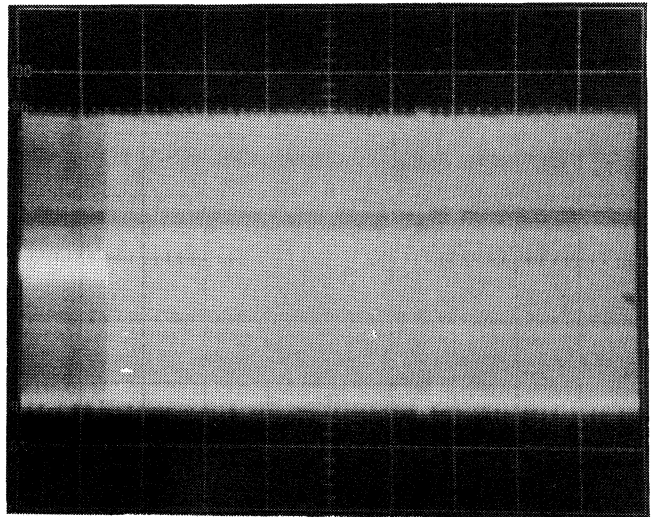


Figure 6-1a Spindle Runout  
(Negligible Runout)

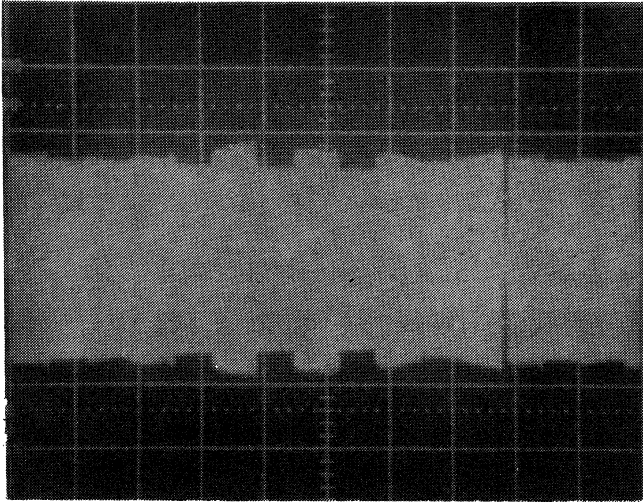


Figure 6-1b Spindle Runout  
(Considerable Runout)

Specifications for the RK05K-AC alignment cartridge are as follows:

Alignment and Sector Timing Tracks:

Primary Track – 105

Backup Tracks – 85, 125 (Use only if track 105 is unusable)

Recorded Frequency: Nominal 720 kHz

Number of Sectors: 12

Alignment Accuracy, track 105:  $\pm 200$  microinches

Sector Timing: Single pulse  $70 \pm 1 \mu\text{s}$  following INDEX pulse

**6.2.1.2 2315 CE Test Cartridge Shim Installation** – (To be used only when an RK05K-AC alignment cartridge is not available.) Before a 2315 CE test cartridge can be used for any RK05 alignment procedure, a .005-inch shim must be installed in the disk hub. Because the 2315 cartridge is recorded at low density and the RK05 uses a high-density cartridge, this shim is required to accentuate the wobble of the low-density cartridge and allow it to be used for high-density alignments. To install the shim properly, trim a piece of .005-inch shim stock as indicated in Figure 6-2 and attach it to the disk hub as follows:

1. Locate sector 00 by holding the cartridge upside down and observing the sector slots in the metal lip of the disk hub (Figure 6-2). Rotate the disk clockwise inside the plastic case until two slots close together are located (sector 11 and index slots). Continue to rotate the disk clockwise, stopping at the next slot (sector 00).
2. Position the shim 180 degrees from the sector 00 slot. Ensure that the narrow portion of the shim is in the spindle cavity and that the shim does not reach the bottom of the cavity.
3. Tape the shim in position.

### 6.2.2 Servo System Timing Checks and Adjustments

The servo system timing adjustments are precisely set at the factory and should not be routinely adjusted or fine-tuned as part of any PM procedure. If a positioner malfunction is suspected, all waveforms related to each phase of servo operation should be examined; based on these, the possible trouble should be diagnosed before any servo adjustments are attempted. Because some of the servo check tolerances differ from the adjustment tolerances, reference should be made to the check tolerances in Table 6-1 before adjustments are attempted.

Table 6-1  
Servo System Checks

Checks	Drive Configuration	Test Point	Tolerance	Reference
Full Stroke Profile	202 cyl osc seek	A05H1	< 90 ms waveform duration with plateau at trailing edge	Figure 6-7
Full Stroke Position	202 cyl osc seek	A05M1	equal beginning & end amplitudes within 5%. < 1 V overshoot	Figure 6-8
Outer Limit	rep RTZ	A05J1	3 to 3.5 V amplitude. < 0.3 V plateau	Figure 6-9

Table 6-1 (Cont)  
Servo System Checks

Checks	Drive Configuration	Test Point	Tolerance	Reference
Sine Amplitude/Offset	4 cyl osc seek	A05M1	$10 \pm 1$ V p-p, ground symmetrical within $\pm 10\%$	Figure 6-3
Velocity Offset	4 cyl osc seek	A05M1	ground symmetrical within $\pm 10\%$	Figure 6-3
Cosine Amplitude	4 cyl osc seek	A05S1	$10 \pm 1$ V p-p, ground symmetrical within $\pm 10\%$	Figure 6-4
Velocity Amplitude	2 cyl osc seek	A05M1	center pulse duration = $3.2 \pm 0.5$ ms	Figure 6-5
Acceleration	64 cyl osc seek	A05H1	14 ms rise time	Figure 6-6

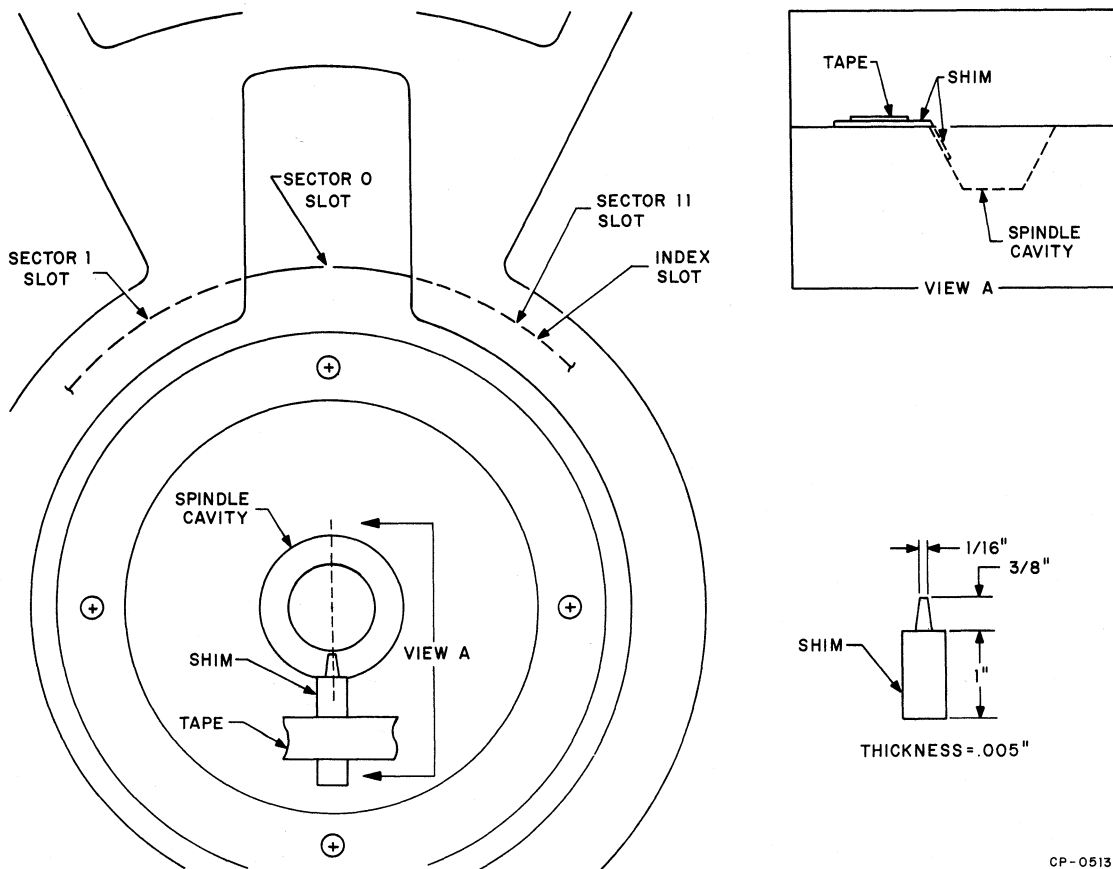


Figure 6-2 CE Test Cartridge Shim Installation

CP-0513

**Table 6-2  
Servo System Adjustments**

Potentiometer*	Function
SA (Sine Amplitude)	Sets amplitude of SIN POSITION signal
SO (Sine Offset)	Adjusts SIN POSITION symmetry about ground
CA (Cosine Amplitude)	Sets amplitude of COS POSITION signal
CO (Cosine Offset)	Adjusts COS POSITION symmetry about ground
VO (Velocity Offset)	Adjusts velocity generator output at zero velocity. (Provides offset control to position loop.)
LSA (Limit Signal Amplitude)	Simultaneously adjusts amplitude of both Limit signals before digitizing
LSO (Limit Signal Offset)	Sets zero level of Limit signal with positioner in normal recording area of disk
CURRENT (on H604)	Sets maximum positioner current (determines acceleration)

\*Potentiometers are located on the G938 card (card position 5) of the electronic module. Remove the prefilter at the rear of the drive to gain access to these potentiometers.

**NOTE**

**Settings within the tolerances listed in Table 6-2 should not be adjusted.**

For most malfunction cases, the positioner system will operate enough to allow dynamic measurements. However, if the positioner either does not operate or operates very erratically, the static checks and adjustments described in Paragraph 6.2.2.2 should be performed. If servo system parts are field-installed, settings must be readjusted, according to Table 6-1.

- sweep
  - A sweep time = 10 ms/div
  - trigger = normal
- trigger
  - source = external\*
  - coupling = ac
  - slope = +

\*Connect the scope external trigger input to disk drive B05J2 (FWD H)

**6.2.2.1 Dynamic Off-Line Checks and Adjustments**

1. To prepare the RK05 Disk Drive for testing, perform the RK05 Exerciser set-up procedure (Paragraph 2.2).
2. Set the oscilloscope controls (Tektronix 453 or equivalent) as follows:

- vertical
  - mode = channel 1
  - sensitivity = 2 V/div
  - trigger = channel 1
  - coupling = dc

3. To avoid excessive scope control changes and to keep the probe test point changes to a minimum, perform the following checks and adjustments in the listed sequence.

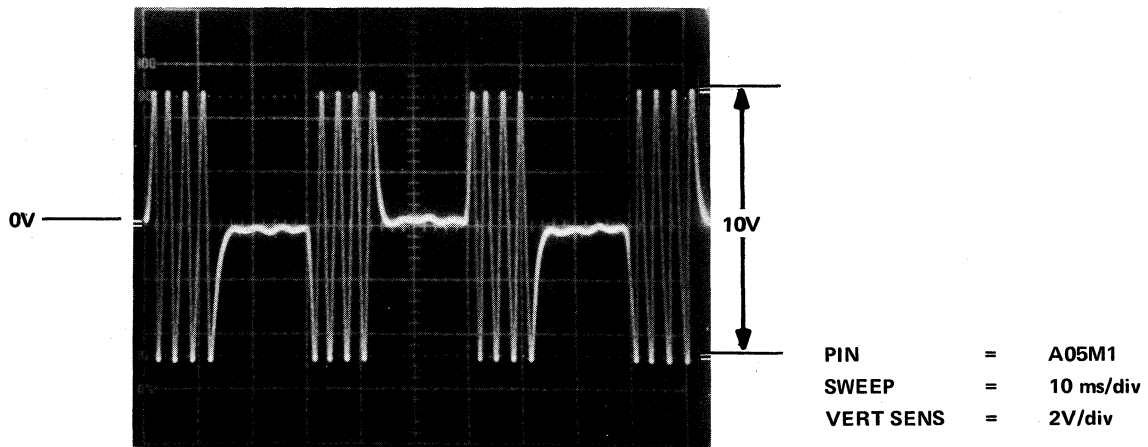
*SINE Amplitude (SA) and Offset (SO)*

- a. Set exerciser front panel RTZ and RUN toggle switches to the down position.
- b. Set the exerciser Function knob to OSC.
- c. Set exerciser Cylinder Address-4 toggle switch to 1 and all other Cylinder Address switches to 0.

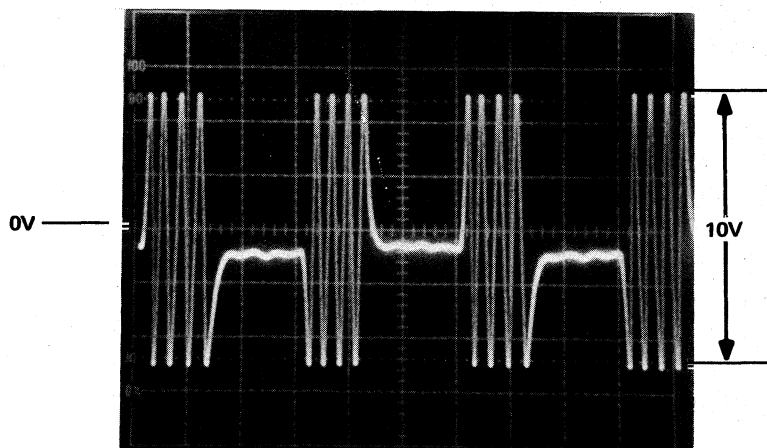
- d. Set the RUN toggle switch to RUN; observe the linear positioner oscillates between cylinders 0 and 4.
- e. Observe A05M1 (SIN POSITION) for a scope display as illustrated in Figure 6-3a.

The waveform amplitude must be  $10 \pm 1$  V p-p and symmetrical about ground.

If necessary, adjust SA (Table 6-2) for the correct amplitude and SO for the ground symmetry.



a. Correct Waveform (Symmetrical Signal)



b. Incorrect Waveform (Signal not Symmetrical about Ground)

Figure 6-3 Sine Amplitude/Offset and Velocity Offset Waveform

*Velocity Offset (VO)*

- a. Observe that the voltage minimums at A05M1 (SIN POSITION) are symmetrical about ground (Figures 6-3a and 6-3b). A small amount of ripple at the minimum voltage levels is normal. To estimate the degree of symmetry, use the average value of the ripple as the voltage minimum.
- b. If necessary, adjust VO (Table 6-2) for the required symmetry.

*Cosine Amplitude (CA) and Offset (CO)*

- a. Observe A05S1 (COS POSITION) for a scope display as illustrated in Figure 6-4. The waveform amplitude must be  $10 \pm 1$  V p-p and symmetrical about ground.
- b. If necessary, adjust CA (Table 6-2) for the correct amplitude and CO for the ground symmetry.

*Velocity Amplitude (VA)*

- a. Set the exerciser front panel Cylinder Address-4 toggle switch to 0 and the

Cylinder Address-2 toggle switch to 1; observe the linear positioner oscillates between cylinders 0 and 2.

- b. Set the scope sweep time to 1 ms/div.
- c. Observe A05M1 for a scope display as illustrated in Figure 6-5. The duration of the center cycle must equal  $3.2 \pm .05$  ms.
- d. If necessary, adjust VA (Table 6-2) for the correct time.

*Acceleration (Positioner Current)*

- a. Set the exerciser front panel Cylinder Address-2 toggle switch to 0 and the Cylinder Address-64 toggle switch to 1; observe the linear positioner oscillates between cylinders 0 and 64.
- b. Set the scope sweep time to 5 ms/div and the vertical sensitivity to 0.5 V/div.
- c. Observe disk drive A05H1 (VELOCITY) for a velocity profile as illustrated in Figure 6-6.
- d. If necessary, adjust R15 (on H604) for a 14 ms rise time.

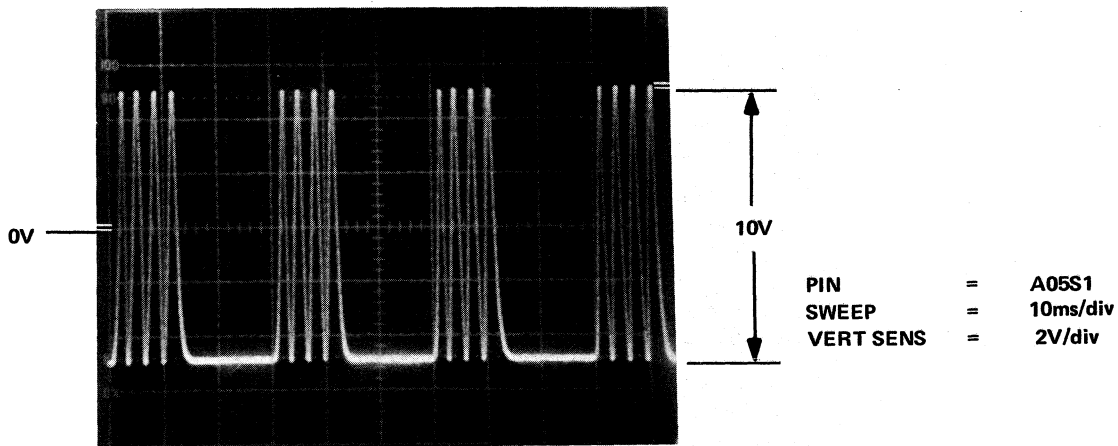
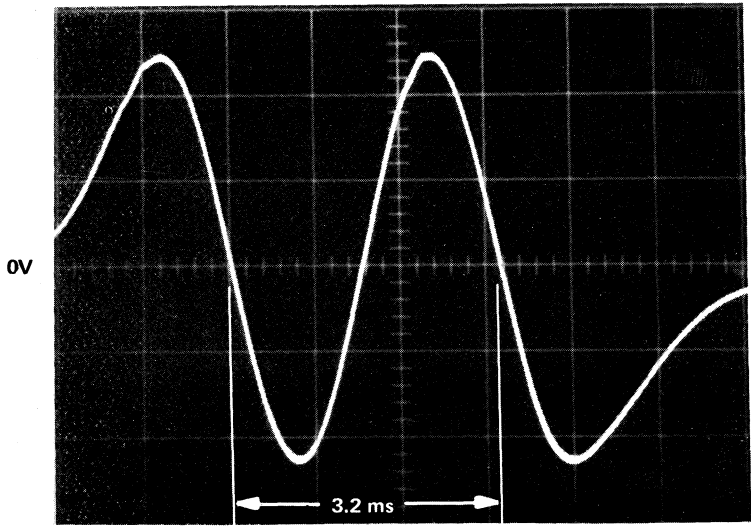
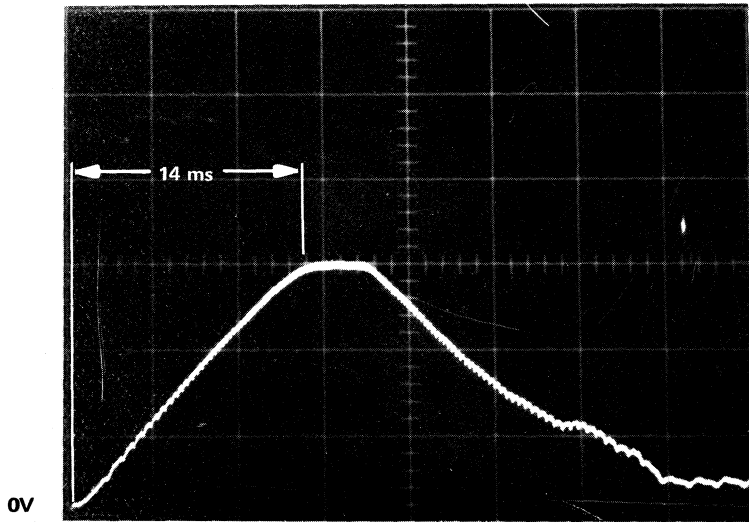


Figure 6-4 Cosine Amplitude/Offset Waveform



PIN = A05M1  
 SWEEP = 1 ms/div  
 VERT SENS = 2V/div

Figure 6-5 Velocity Amplitude Waveform



PIN = A05H1  
 SWEEP = 5 ms/div  
 VERT SENS = 0.5V/div

Figure 6-6 Acceleration Waveform

*Full Stroke Profile*

- a. Set the exerciser front panel Cylinder Address-128, 8, and 2 toggle switches to 1; observe the linear position oscillates between cylinders 0 and 202.
- b. Set the scope sweep time to 10 ms/div and the vertical sensitivity to 0.5 V/div.
- c. Observe A05H1 (VELOCITY) for a scope display as illustrated in Figure 6-7. The 0 V level of the profile must be reached in less than 90 ms from the start of the seek. In addition, there must be a definite plateau (constant voltage level) at the end of the seek. If this is not the case, recheck the Velocity Amplitude (VA) and the

Acceleration (Positioner Current). Adjust the appropriate potentiometer (Table 6-2) as required to obtain the correct waveform.

*Full Stroke Position Waveform*

- a. Set the scope vertical sensitivity to 2 V/div and observe A05M1 (SIN POSITION) for a scope display as illustrated in Figure 6-8. The waveform amplitudes at the start and end of the seek must be equal within 5% and the overshoot at the end of the seek must not exceed 1 V. If overshoot is excessive, recheck the Velocity Amplitude (VA) and the Acceleration (Positioner Current).

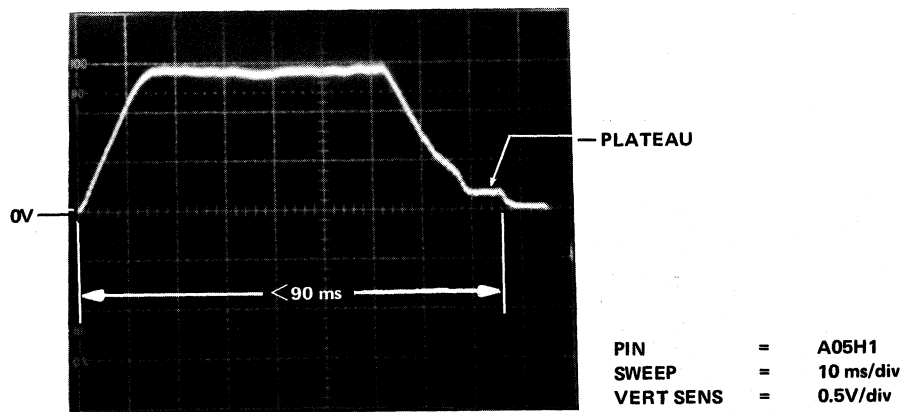


Figure 6-7 Full Stroke Waveform

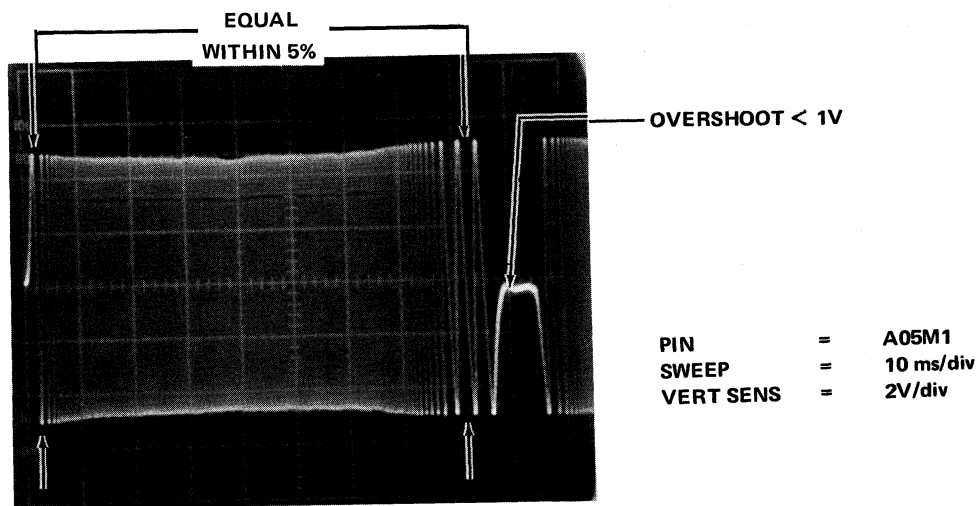


Figure 6-8 Full Stroke Position Waveform



*Outer Limit (dynamic test)*

- a. Set exerciser front panel RTZ toggle switch to RTZ.
- b. Trigger the scope from B05K2 (REV H).
- c. Set the scope vertical sensitivity to 1 V/div and observe A05J1 (LIMIT) for a scope display as illustrated in Figure 6-9. The waveform peak amplitude must be 3 to 3.5 V with a minimum level of 0 V. In addition, the voltage plateau immediately following the trailing edge must not exceed 0.3 V. If not, perform the Static Limit Adjustment procedure (Paragraph 6.2.2.2).
- d. Set the exerciser RTZ toggle switch to the down position.
- e. Check the INNER LIMIT signal by physically moving the positioner to the inner limit (towards the spindle). If the INNER LIMIT signal is operative, a restore operation will be initiated. If this is not the case, perform the Static Limit Adjustment procedure (Paragraph 6.2.2.2).

**6.2.2.2 Static Tests and Adjustments** – Perform the following procedure when the positioner or a major servo system component has been replaced. This procedure should also be followed as a diagnostic aid when the positioner system is inoperative or unstable in operation.

To make the required adjustments, remove the disk cartridge from the drive and physically move the positioner carriage back and forth while observing the selected signal. Use the automatic scope sweep and do not attempt to sync the sweep to the observed signal. With a little practice, the most convenient sweep speed setting and the type of positioner motion required will quickly be discovered.

To make the static adjustments, proceed as follows:

1. Do not install a disk cartridge in the drive.
2. Place a finger on the positioner carriage assembly and place switch S1 (on H604) in the down or off position. (This precaution prevents any possible carriage motion caused by transient switch noise.)
3. Make the following checks and adjustments.

*Sine Amplitude (SA) and Offset (SO)*

- a. Set the scope vertical sensitivity to 2 V/div and adjust the ground reference to the center of the scope screen.

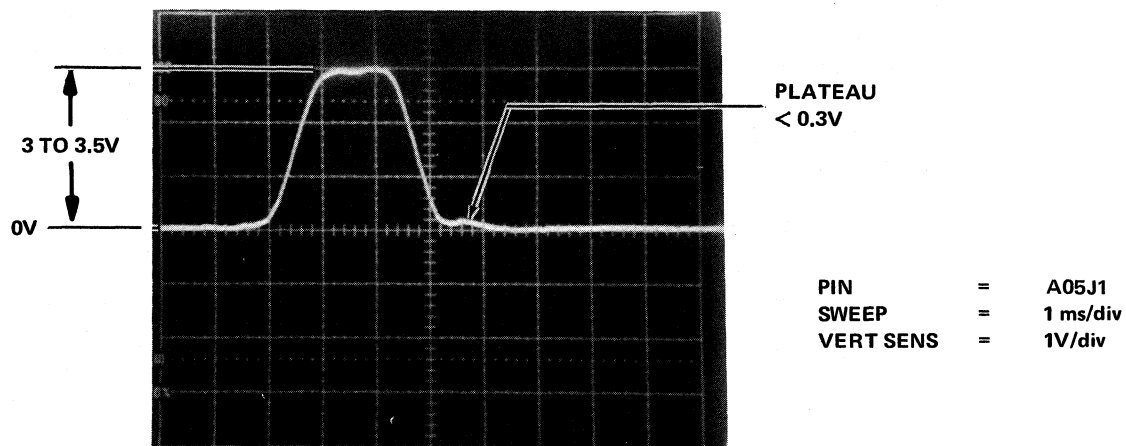


Figure 6-9 Outer Limit Waveform

- b. Observe A05M1 (SIN POSITION) while manually moving the positioner back and forth. Adjust SA (Table 6-2) for a 10 V p-p signal amplitude.
- c. Adjust SO until the signal is symmetrical about ground.

*Cosine Amplitude (CA) and Offset (CO)*

Observe A05S1 and adjust CA and CO (Table 6-2) in the same manner as that used in the Sine Amplitude and Offset procedure above.

*Limit Signal Amplitude (LSA) and Offset (LSO)*

- a. Set the scope vertical sensitivity to 1 V/div and adjust the ground reference to the center of the scope screen.
- b. Observe A05J1 with the positioner stationary at approximately the center of travel. Adjust LSO (Table 6-2) for a ground signal at the center of the scope screen.
- c. Move the positioner to the inner limit and observe the voltage change on the scope. Similarly, move the positioner to the outer limit and observe the voltage change.
- d. Adjust LSA until the smaller voltage level obtained in step c is 3.0 V.
- e. Return the positioner to the center of travel and readjust LSO for 0 V.
- f. Repeat step c above and, if necessary, readjust the smaller voltage level to 3.0 V.

**6.2.3 Read/Write Data Separator (G180 Card) Adjustment**

Adjustment of the data separator is not part of the normal maintenance and therefore is not recommended unless a G180 component that affects the data separator section has been replaced. If this occurs, set the width of the data window as follows:

**NOTE**

R13 is the write current adjustment potentiometer and should not be adjusted in the field.

1. Install a prerecorded cartridge in the drive.
2. Place the drive in the run mode and manually position the heads at any recorded cylinder past track zero. An all ZERO data recording is preferable; however, any recorded pattern is sufficient.

3. Set the oscilloscope controls as follows:

- vertical
  - mode = channel 1
  - sensitivity = 1 V/div
  - trigger = channel 1
  - coupling = dc
- sweep
  - A sweep time = 100 ns/div
  - trigger = normal
- trigger
  - source = internal
  - coupling = ac
  - slope = +

4. Connect the channel 1 scope probe to TP1 of the G180 card (card position 1). It should be possible to obtain solid scope synchronization at the sweep start. (Disregard the unsynchronized pulses that follow.)
5. Adjust R55 fully counterclockwise and R54 clockwise.
6. Adjust R54 counterclockwise to obtain a 500 ns pulse width as measured from the start of the rise to the start of the fall.
7. Readjust R55 clockwise until the pulse width decreases to  $440 \pm 10$  ns as measured from the start of the rise to the start of the fall.

**6.2.4 Read/Write Head Check and Alignment**

The following procedure describes the complete read/write head alignment. Before attempting this alignment procedure, ensure that the drive operates correctly and that the heads have not been contaminated by exposure to a defective cartridge. If new heads have been installed, it is recommended that this alignment procedure be performed off-line using the RK05 Exerciser.

**6.2.4.1 RK05K-AC Alignment Cartridge** – The appropriate on-line diagnostics may be used; however, **DO NOT ADJUST A HEAD THAT HAS LESS THAN A 15% ERROR** (Figure 6-10).

To align or check the heads proceed as follows:

1. Perform the RK05 Exerciser set-up procedure (Paragraph 2.2).
  2. Install an alignment cartridge on the spindle and operate the drive in the run mode for at least 30 minutes. This must be done to allow the alignment cartridge and the drive components to achieve thermal stabilization.
  3. Using the WR PROT switch, place the drive in the write protect condition.
  4. Set the oscilloscope controls as follows:
    - vertical
 

mode	=	ADD (invert CHAN 2)
sensitivity	=	20 mV/div
coupling	=	dc
    - sweep
 

A sweep		
time	=	500 $\mu$ s/div
trigger	=	normal
    - trigger
 

source	=	external*
coupling	=	ac
- \*Use a 1:1 probe to connect the scope external trigger input to A02S2 (sector).
5. Connect the channel 1 probe to TP3 and the channel 2 probe to TP4 of the G180 card. (Use 10: 1 probes.)
  6. Ensure that the positioner track scale indicates cylinder 00. If it does not, loosen and readjust the scale to ensure proper scale readout over the entire length of the head.
  7. Select cylinder 105 as follows:
    - a. Set the exerciser front panel Head Select toggle switch to LOWER.

- b. Set the exerciser Function knob to OSC.
- c. Set the exerciser Cylinder Address-64, 32, 8 and 1 toggle switches to 1 and all other Cylinder Address toggle switches to 0 (cylinder address 105).

- d. Quickly set the exerciser RUN toggle switch to RUN and back to the down position, observe the linear position moves to cylinder 105.

8. Monitor the scope display for one of the waveforms illustrated in Figure 6-10.

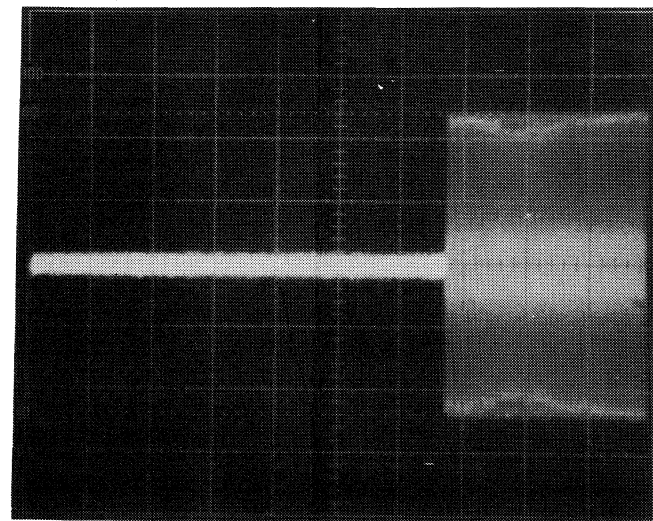
**NOTE**

If a bright horizontal line does not appear at the beginning of the displayed waveform as shown in Figures 6-10b through 6-10g, adjust the scope level control until the line appears. The bright line indicates proper positioning of the sectors on the display [odd sectors (X1) on left, even sectors (X2) on the right].

9. If none of the illustrated waveforms appear, the head is misaligned so badly that manual manipulation of the positioner is required. If manual manipulation is required, perform the following steps; if not, proceed to step 10.
  - a. Place switch S1 (on H604) in the down or off position, keeping a finger on the carriage to dampen any positioner transients.
  - b. Slowly move the positioner by hand until the alignment pattern occurs. Cylinders 85 and 125 have identical patterns, so be sure that the displayed pattern is for cylinder 105.
  - c. Observe the track scale and note the cylinder indication when the "right on" waveform (Figure 6-9) is obtained. If the scale indicates less than 105, the head is too far forward in the carriage. Conversely, if the scale indicates more than 105, the head is back too far in the carriage.



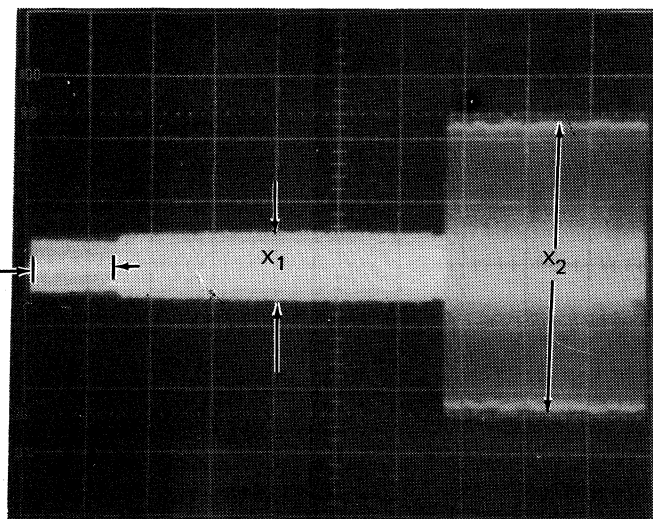
a. Large misalignment. Head at too great a track radius. Further misalignment reduces amplitude of signal on right side of screen.



b. Head considerably misaligned. Smaller left amplitude indicates head outside of CYL 105.

error = -72%

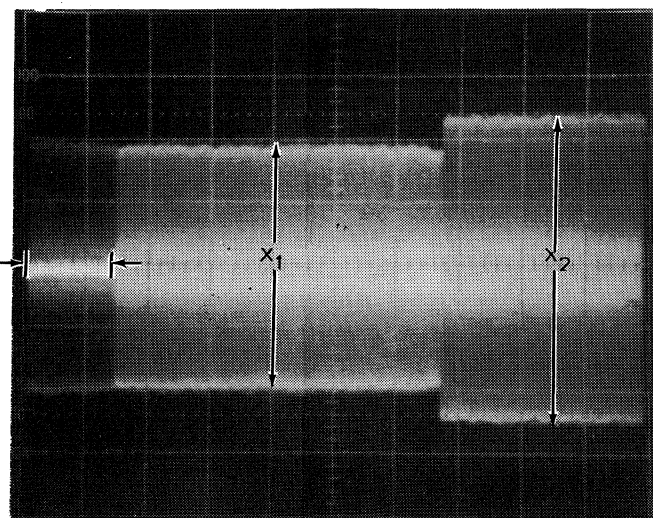
BRIGHT LINE SHOULD APPEAR HERE



c. Head slightly misaligned. Smaller left amplitude indicates head outside of CYL 105.

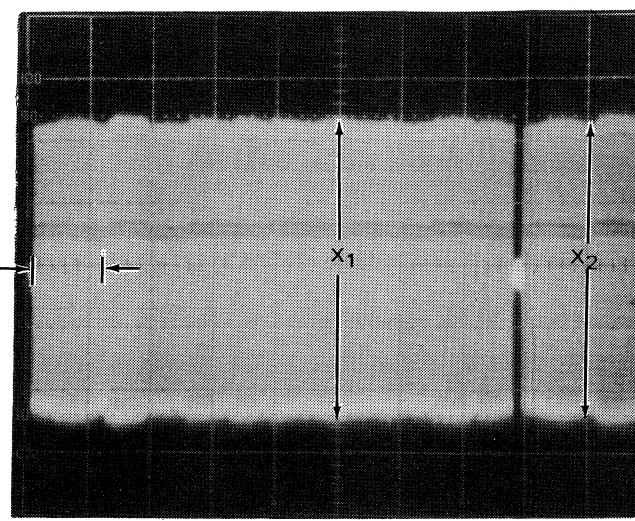
error = -15%

BRIGHT LINE SHOULD APPEAR HERE



d. Head correctly aligned. Amplitudes are equal.

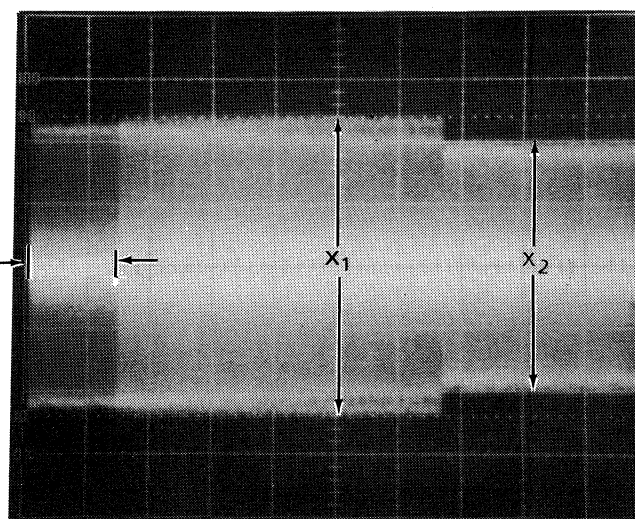
BRIGHT LINE SHOULD APPEAR HERE



e. Heads slightly misaligned. Larger left amplitude indicates head inside of CYL 105 (toward 106).

error = +15%

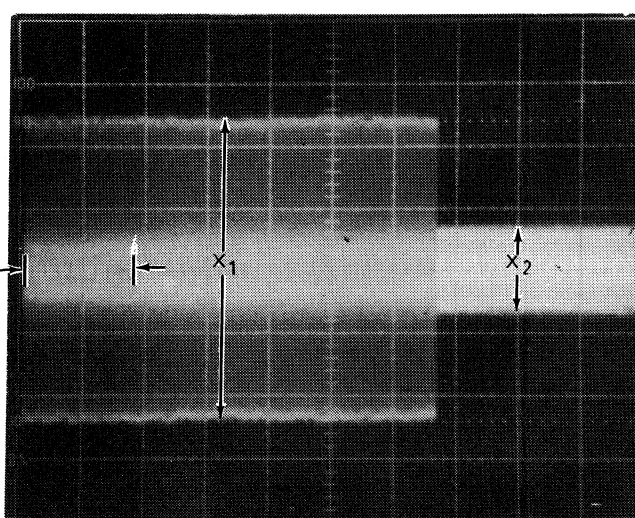
BRIGHT LINE SHOULD APPEAR HERE



f. Head considerably misaligned. Larger left amplitude indicates head inside of CYL 105.

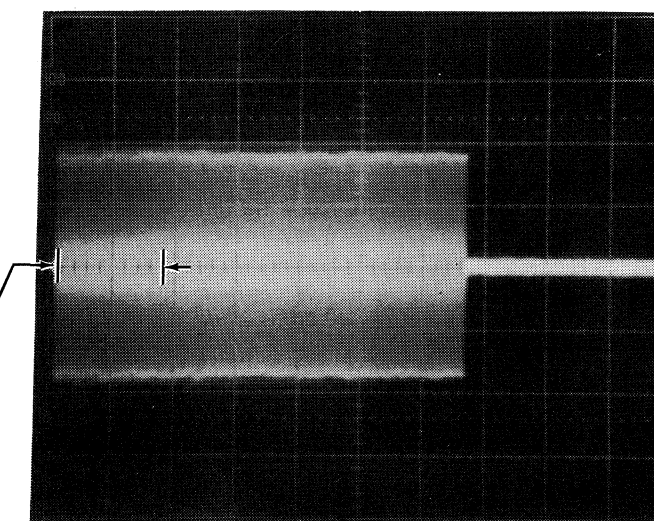
error = +72%

BRIGHT LINE SHOULD APPEAR HERE



g. Large misalignment. Head inside of CYL 105. Further misalignment reduces amplitude of signal on left side of screen.

BRIGHT LINE SHOULD APPEAR HERE



**NOTE**

The alignment error is denoted as a signed percentage. The percentage is derived from the relative amplitudes of the two signal modes ( $x_1$  and  $x_2$ ) according to the following expression:

$$\% \text{ error} = \frac{x_1 - x_2}{x_1 + x_2} \times 100$$

(Approximate error in MICRO inches equals % error  $\times$  35)

The sign denotes the direction of the alignment error. A negative sign indicates the head is too far from center (track less than 105).

Figure 6-10 RK05-AC Alignment Cartridge Head Alignment Waveforms



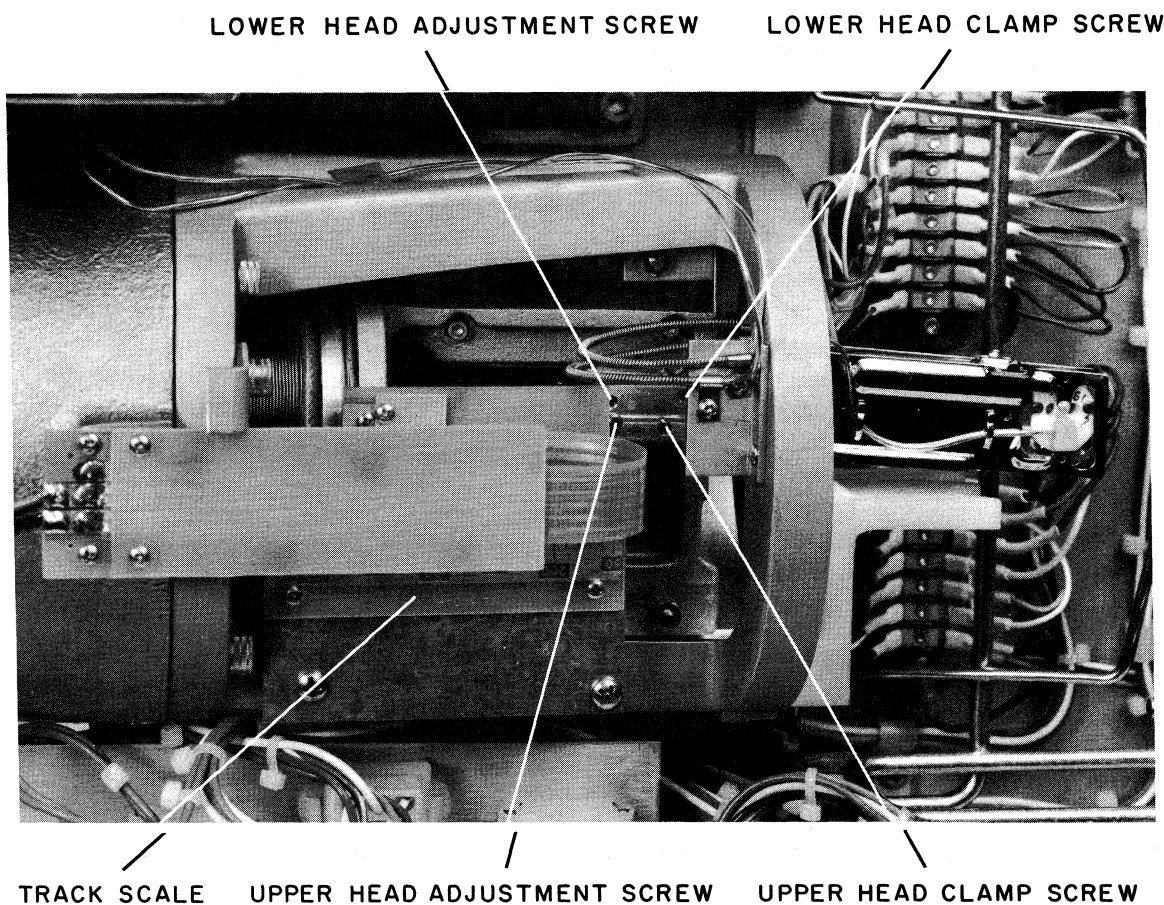


Figure 6-11 Read/Write Head Adjustments

- b. Set the exerciser Function knob to OSC.
  - c. Set the exerciser Cylinder Address-64, 32, 8 and 1 toggle switches to 1 and all other Cylinder Address toggle switches to 0 (cylinder address 105).
  - d. Quickly set the exerciser RUN toggle switch to RUN and back to the down position; observe the linear positioner moves to cylinder 105.
- a. Place switch S1 (on H604) in the down or off position, keeping a finger on the carriage to dampen any positioner transients.
  - b. Slowly move the positioner by hand until the alignment pattern occurs. Cylinder 110 has an identical pattern, so be sure that the displayed pattern is for cylinder 105. Do not use undue force on the positioner when manually changing track positions.
  - c. Observe the track scale and note the cylinder indication when the waveform shown in Figure 6-12d is obtained. If the scale indicates less than 105, the head is too far forward in the carriage. Conversely, if the scale shows more than 105, the head is too far back in the carriage.
8. Monitor the scope display for one of the waveforms illustrated in Figure 6-12. If none of the illustrated waveforms appear, the head is misaligned so badly that manual manipulation of the positioner is required. If manual manipulation is required, perform the following steps; if not, proceed to step 9.

- d. Loosen the clamp and adjustment screws (Figure 6-11) and move the head in the appropriate direction until the waveform shown in Figure 6-12d is obtained and the scale indication is slightly greater than 105.
  - e. Lightly tighten the clamp screw and turn on the positioner power (S1 up).
  - f. Set the exerciser RTZ toggle switch RTZ momentarily; observe the linear positioner moves to cylinder 0.
  - g. Quickly set the exerciser RUN toggle switch to RUN and then back to the down position; observe the linear positioner moves to cylinder 105 and stops.
9. If one of the illustrated waveforms is present, note in which direction the head must be moved to obtain the proper indication. If it must be moved backward, loosen the head clamp and adjustment screws and gently push the head all the way back into the carriage; if it must be moved forward, loosen only the clamp screw, and then turn the adjustment screw until the correct waveform is obtained. (The adjustment screw is a vernier that only moves the head forward; it should not be left torqued down after this adjustment.)

**NOTE**

If the positioner is moved from cylinder 105 during the adjustment procedure, perform steps 8f and 8g.

- 10. Set the exerciser Head Select toggle switch to UPPER.
- 11. Using a torque wrench (9605893-0-0), if available, tighten the head clamp screw until the wrench begins to ratchet (55 oz/in.). If a torque wrench is not available, use the appropriate Allen wrench to tighten the head clamp screw snugly; however, do not overtighten.
- 12. Recheck to ensure that the clamping action did not disturb the head adjustment.

**6.2.5 Index/Sector Timing Adjustment**

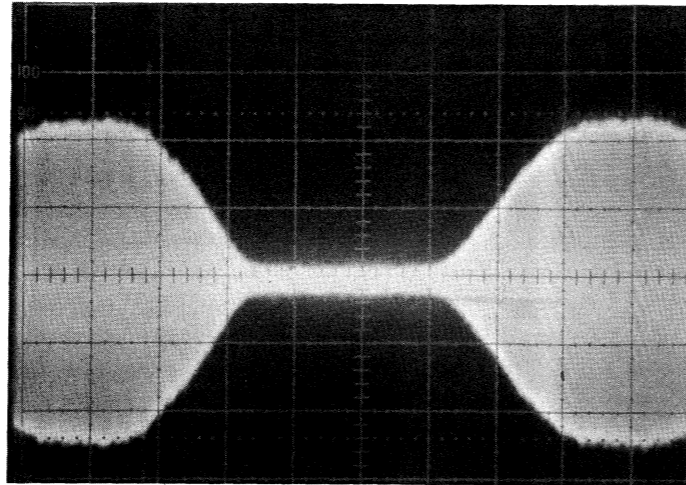
**6.2.5.1 RK05K-AC Alignment Cartridge** – The procedure for adjusting index/sector timing using the RK05K-AC alignment cartridge is as follows:

- 1. Perform the RK05 Exerciser set-up procedure (Paragraph 2.2).
- 2. Install an alignment cartridge on the spindle, ensuring that the mating surfaces are clean and operate the drive in the run mode for at least 30 minutes. This must be done to allow the alignment cartridge and the drive components to achieve thermal stabilization.
- 3. Using the WR PROT switch, place the drive in the write protect condition.
- 4. Set the oscilloscope controls as follows:
  - vertical
    - mode = ADD (invert CHAN 2)
    - sensitivity = 0.2 V/div
    - coupling = dc
  - sweep
    - A sweep time = 5 ms/div
    - trigger = normal
  - trigger
    - source = external\*
    - coupling = ac
    - slope = –
- 5. Connect the channel 1 probe to TP3 and the channel 2 probe to TP4 of the G180 card. (Use 10:1 probes.)
- 6. Momentarily set the exerciser front panel RTZ toggle switch to RTZ.
- 7. Select cylinder 105 as follows:
  - a. Set the exerciser Cylinder Address-64, 32, 8 and 1 toggle switches to 1 and all other Cylinder Address toggle switches to 0 (cylinder 105).

\*Use a 1:1 probe to connect the scope external trigger input to A02R2 (INDEX).

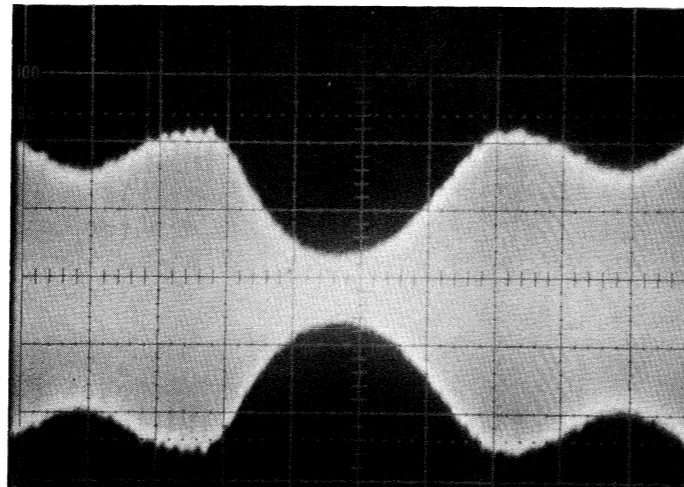


- a. Large misalignment. Head close to CYL 104.  
(Further misalignment only reduces amplitude of peaks.)



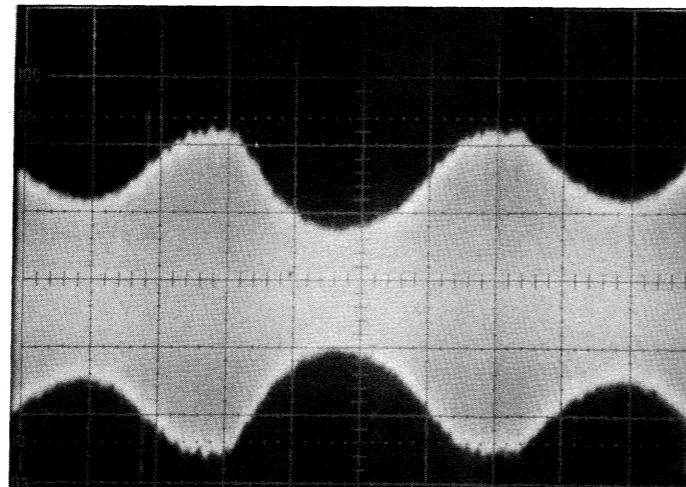
- b. Head considerably misaligned. Smaller left null indicates head position less than CYL 105.

error = -60%

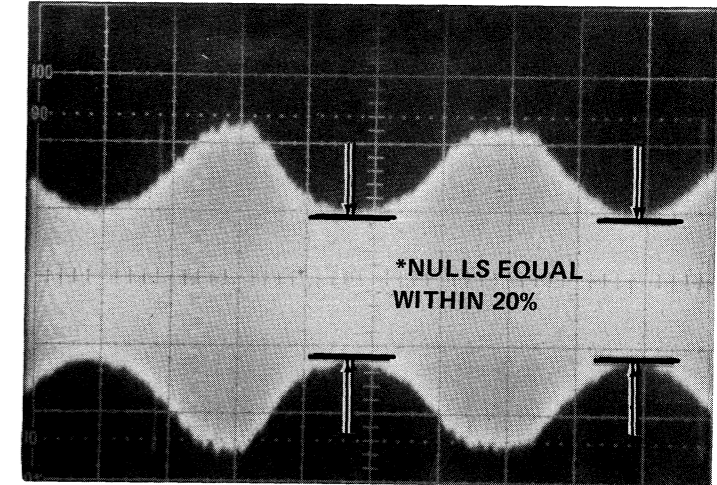


- c. Head slightly misaligned. Smaller left null indicates head position less than CYL 105.

error = -33%

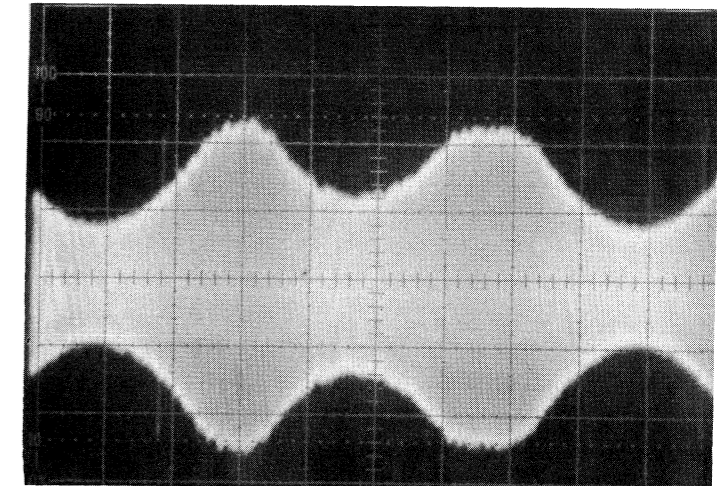


- d. Head correctly aligned at CYL 105. Null amplitudes are equal.



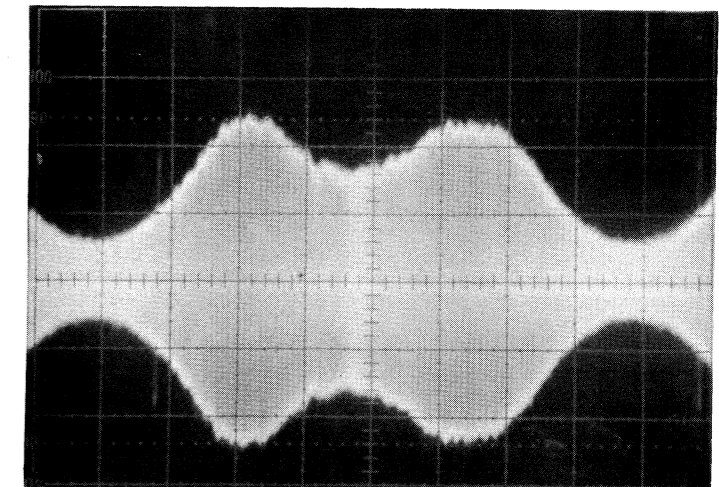
- e. Head slightly misaligned. Larger left null indicates head position more than CYL 105.

error = +26%



- f. Head considerably misaligned. Larger left null indicates head position more than CYL 105.

error = +71%





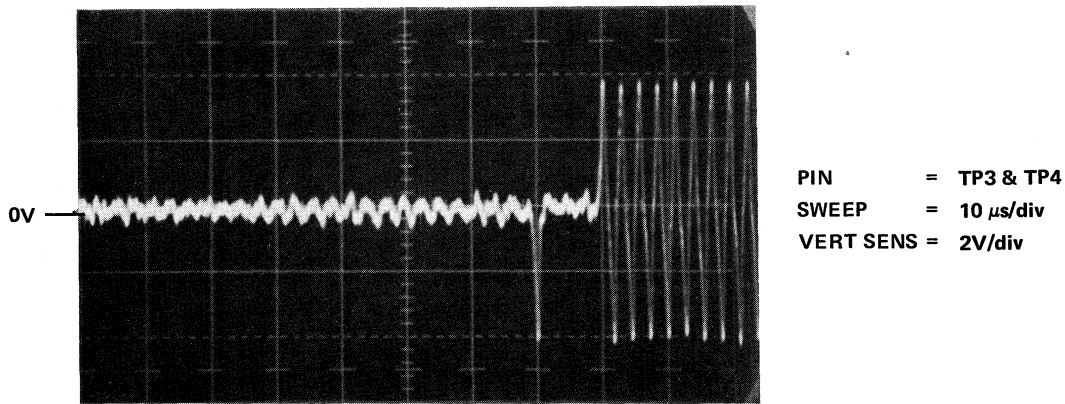


Figure 6-13 Index/Sector Waveform

### 6.2.6 Cartridge Receiver Alignment

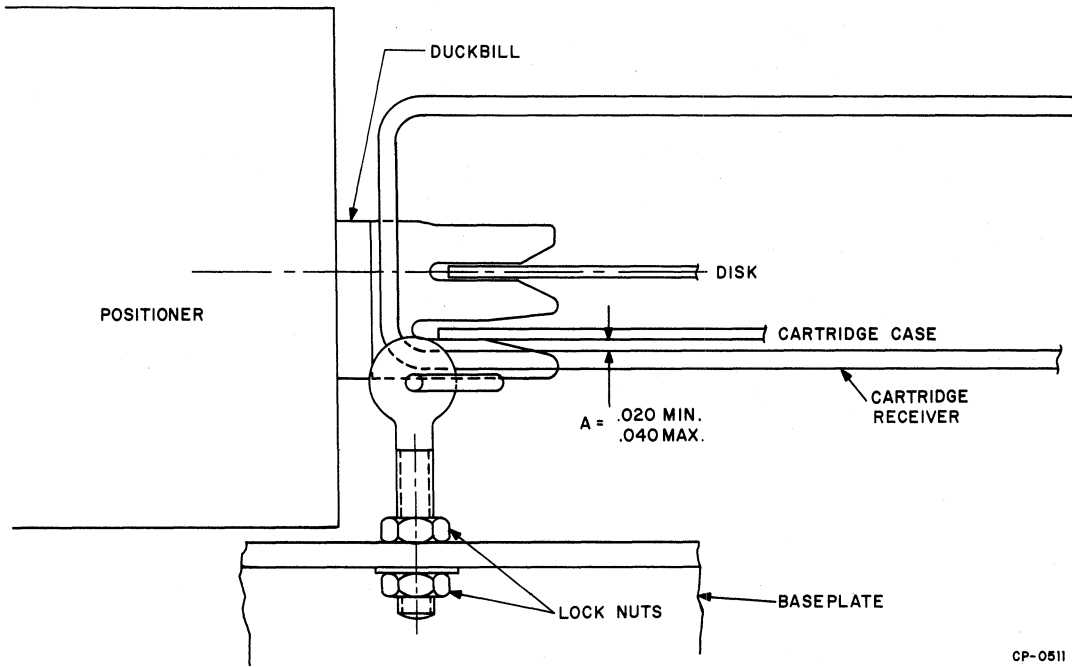
Prior to shipment of the RK05 Disk Drive, the cartridge receiver is precisely aligned at the factory. Since it is not necessary to disturb the receiver alignment when performing any of the field maintenance procedures, cartridge receiver alignment is therefore not normally required in the field. However, if the duckbill, airduct, or cartridge support post are replaced, the cartridge receiver alignment must be checked. In addition, the Cartridge-On switch should also be checked for proper operation.

#### NOTE

The duckbill on later model drives is slightly different than the earlier models. If an earlier version duckbill is replaced with the later version, the airduct and cartridge support posts must also be replaced. Refer to the *RK05 Illustrated Parts Manual (DEC-RK05-IPB-1)* to identify which duckbill version is being replaced.

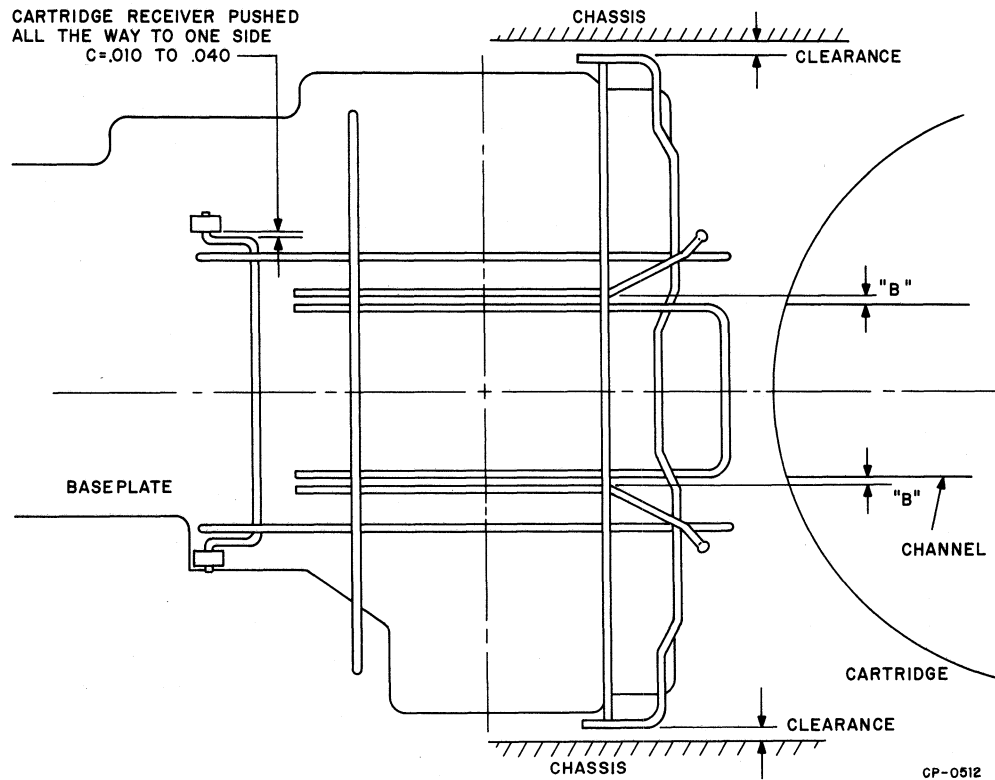
1. Slide the drive out of the rack and remove the top and bottom covers.
2. Insert a cartridge into the receiver and close the drive front door.
3. Check for a .020 to .040 in. clearance (A) between the plastic cartridge case and the receiver rails (Figure 6-14). Make this measurement towards the rear of the receiver at a point where the plastic cartridge case passes over the intersecting receiver rails.

4. If the (A) clearance is incorrect, loosen the pivot post lock nuts and adjust the height of both posts to obtain the proper clearance. Hold the pivot post at (x) with an adjustable wrench while loosening and tightening the lock nuts (y).
5. Lightly tighten the pivot post lock nuts and check the following (Figure 6-15):
  - a. Remove the cartridge and ensure that the clearances (B) between the upper receiver rails and the cartridge channel are equal, and that the receiver rails are as parallel as possible to the channel.
  - b. Push the receiver all the way to one side and ensure that there is a slight clearance (C) of .010 to .040 in. between the pivot post and the receiver hinge rail. When making this check, do not push the receiver so hard that the pivot posts twist.
  - c. Push the receiver to the left and right and ensure that the front receiver rail does not touch either side of the chassis.
6. Tighten the pivot post lock nuts and recheck all clearances. There must be a clearance at points A, B, and C; however, it is especially critical that clearances A and C do not exceed the limits indicated in Figures 6-14 and 6-15.



CP-0511

Figure 6-14 Cartridge to Receiver Clearance



CP-0512

Figure 6-15 Cartridge Receiver Clearances

7. Check for the following points of contact between the cartridge and the cartridge receiver, which indicate that the cartridge is properly seated:

- a. Two thin rails (These should either touch evenly or be parallel along the full length of the cartridge.)
- b. Two cartridge posts
- c. Access door opener bail
- d. Spring at top center of cartridge
- e. Duckbill (lower slot)
- f. Airduct bridge

g. Airduct foam seal.

8. Check for the following points of clearance between the cartridge and the cartridge receiver, which indicate that the cartridge is properly seated:

- a. Two fat rails on top of the cartridge
- b. Four crosspoints on the underside of the cartridge
- c. The pivot posts and receiver hinge bail.

The position of the pivot posts determines how the top rails ride on the cartridge and also determines the bottom clearance of the four crosspoints and the underside of the carriage.



# APPENDIX A

## IC SCHEMATICS

The RK05 Exerciser employs several types of integrated circuit (IC) chips in its design. This appendix provides detailed schematics, packaging diagrams and truth tables on several of the more complex ICs as a maintenance aid to the service technician.

The following ICs are covered in this appendix:

- 7442 4-LINE-TO-10 LINE DECODERS
- 7474 DUAL D-TYPE EDGE TRIGGERED FLIP-FLOPS
- 74123 MONOSTABLE MULTIVIBRATOR
- 74193 SYNCHRONOUS 4-BIT UP/DOWN COUNTER (DUAL CLOCK WITH CLEAR)

### A.1 7442 4-LINE-TO-10-LINE DECODERS

#### TRUTH TABLE

BCD Input				Octal Output									
D	C	B	A	0	1	2	3	4	5	6	7	8	9
0	0	0	0	0	1	1	1	1	1	1	1	1	1
0	0	0	1	1	0	1	1	1	1	1	1	1	1
0	0	1	0	1	1	0	1	1	1	1	1	1	1
0	0	1	1	1	1	1	0	1	1	1	1	1	1
0	1	0	0	1	1	1	1	0	1	1	1	1	1
0	1	0	1	1	1	1	1	0	1	1	1	1	1
0	1	1	0	1	1	1	1	1	0	1	1	1	1
0	1	1	1	1	1	1	1	1	1	0	1	1	1
1	0	0	0	1	1	1	1	1	1	1	1	0	1
1	0	0	1	1	1	1	1	1	1	1	1	1	0
1	0	1	0	1	1	1	1	1	1	1	1	1	1

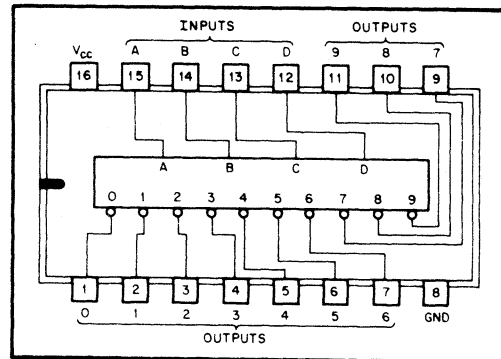
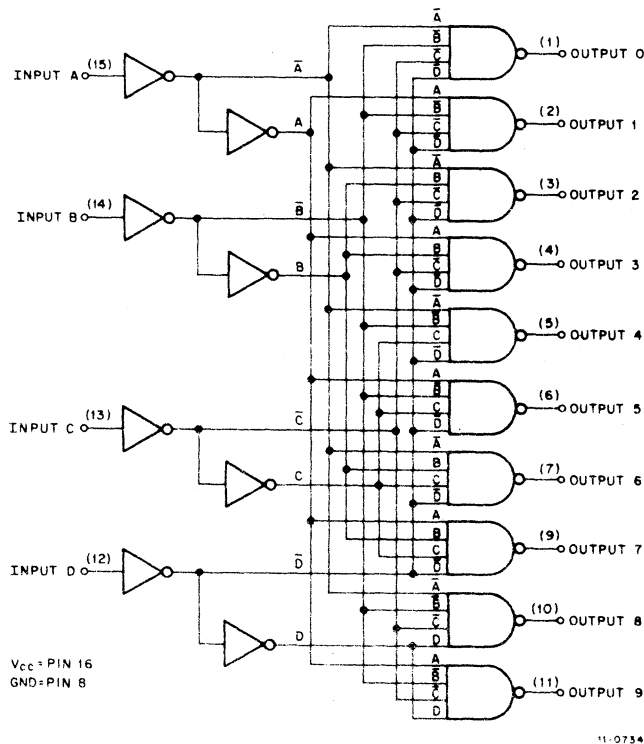
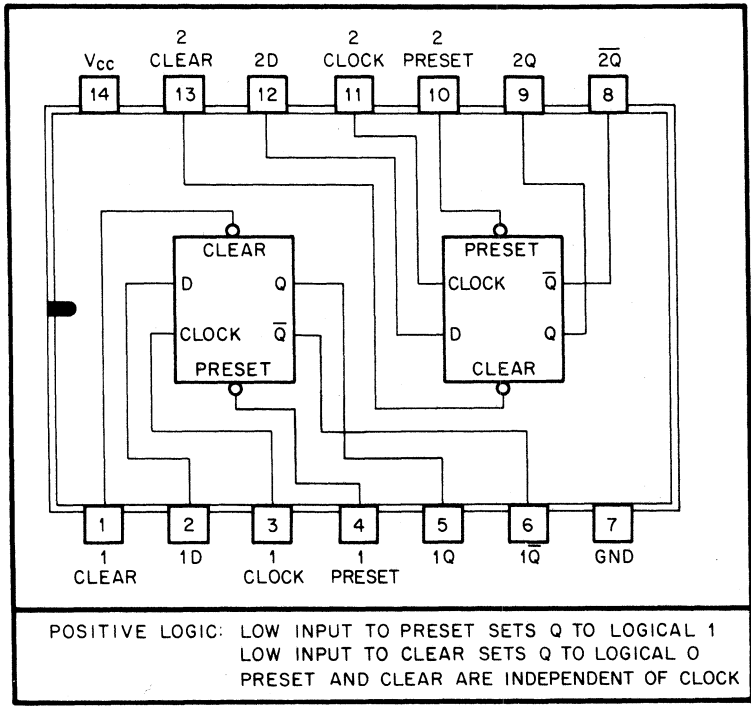


Figure A-1 7442 Package and Logic Diagrams

**A.2 7474 DUAL D-TYPE EDGE-TRIGGERED FLIP-FLOPS**



11-0766

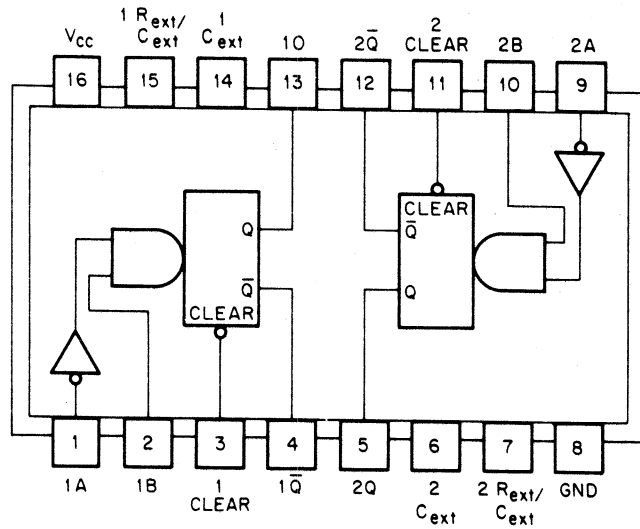
**Truth Table (Each Flip-Flop)**

Input D	$t_{n+1}$	
	Output Q	Output Q
0	0	1
1	1	0

- Notes: 1.  $t_n$  = bit time before clock pulse.  
 2.  $t_{n+1}$  = bit time after clock pulse.



### A.3 74123 MONOSTABLE MULTIVIBRATOR



FUNCTIONAL LOGIC / PIN LOCATOR

TRUTH TABLE

INPUTS		OUTPUTS	
A	B	Q	$\bar{Q}$
H	X	L	H
X	L	L	H
L	↑	⌊	⌋
↓	H	⌋	⌊

NOTE: H = high level (steady state), L = low level (steady state),  
 ↑ = transition from low to high level, ↓ = transition from high to low level,  
 ⌋ = one high-level pulse, ⌊ = one low-level pulse, X = irrelevant (any input, including transitions)

8E-0516

Figure A-2 DEC 74123 IC Illustrations

OUTPUT PULSE WIDTH  
 vs  
 EXTERNAL TIMING CAPACITANCE

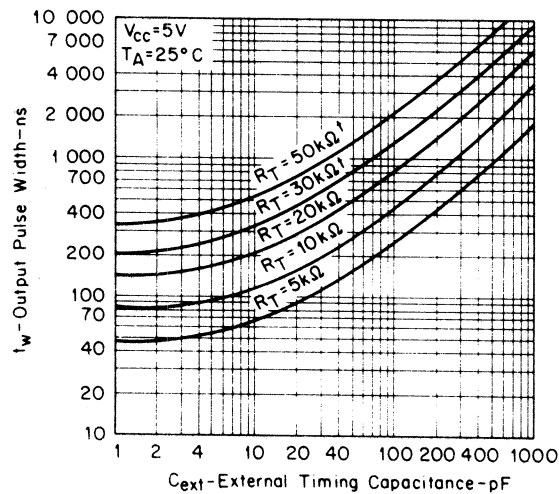
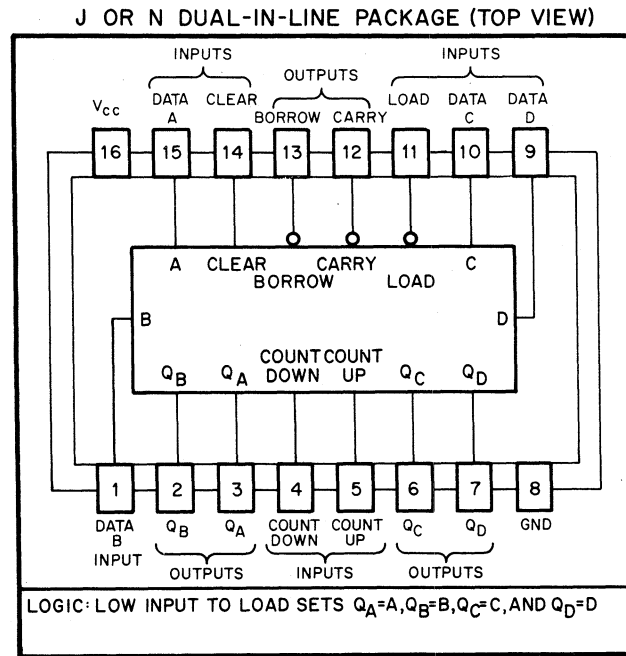


Figure A-3 DEC 74123 IC Output Pulse Width vs. External Timing Capacitance

**A.4 74193 SYNCHRONOUS 4-BIT UP/DOWN COUNTER  
(DUAL CLOCK WITH CLEAR)**



11-0640

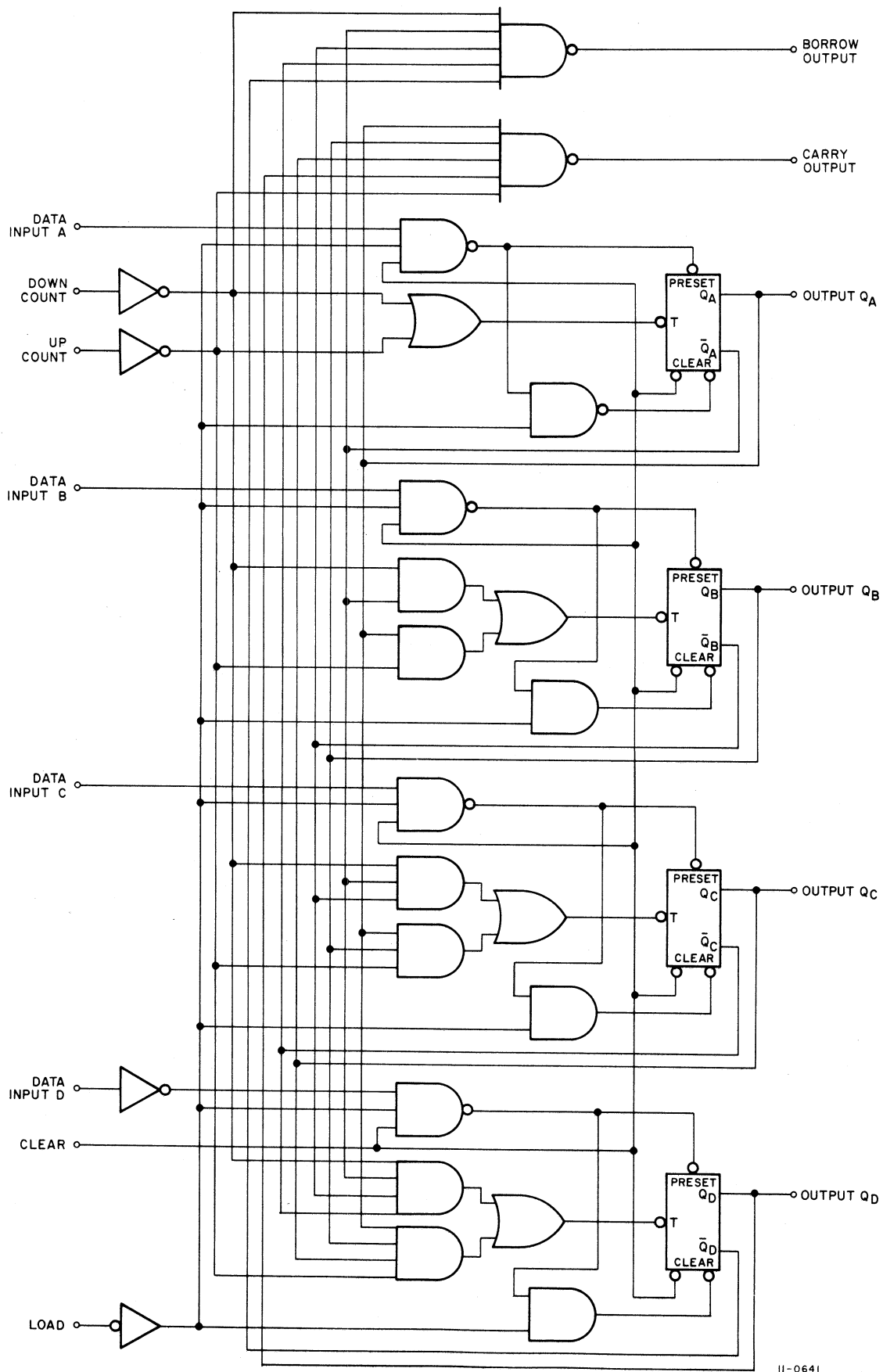
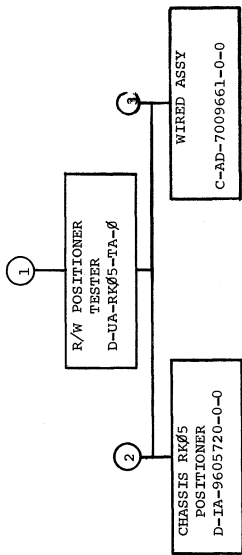


Figure A-4 74193 Logic Diagram



**APPENDIX B  
ENGINEERING DRAWING SET**



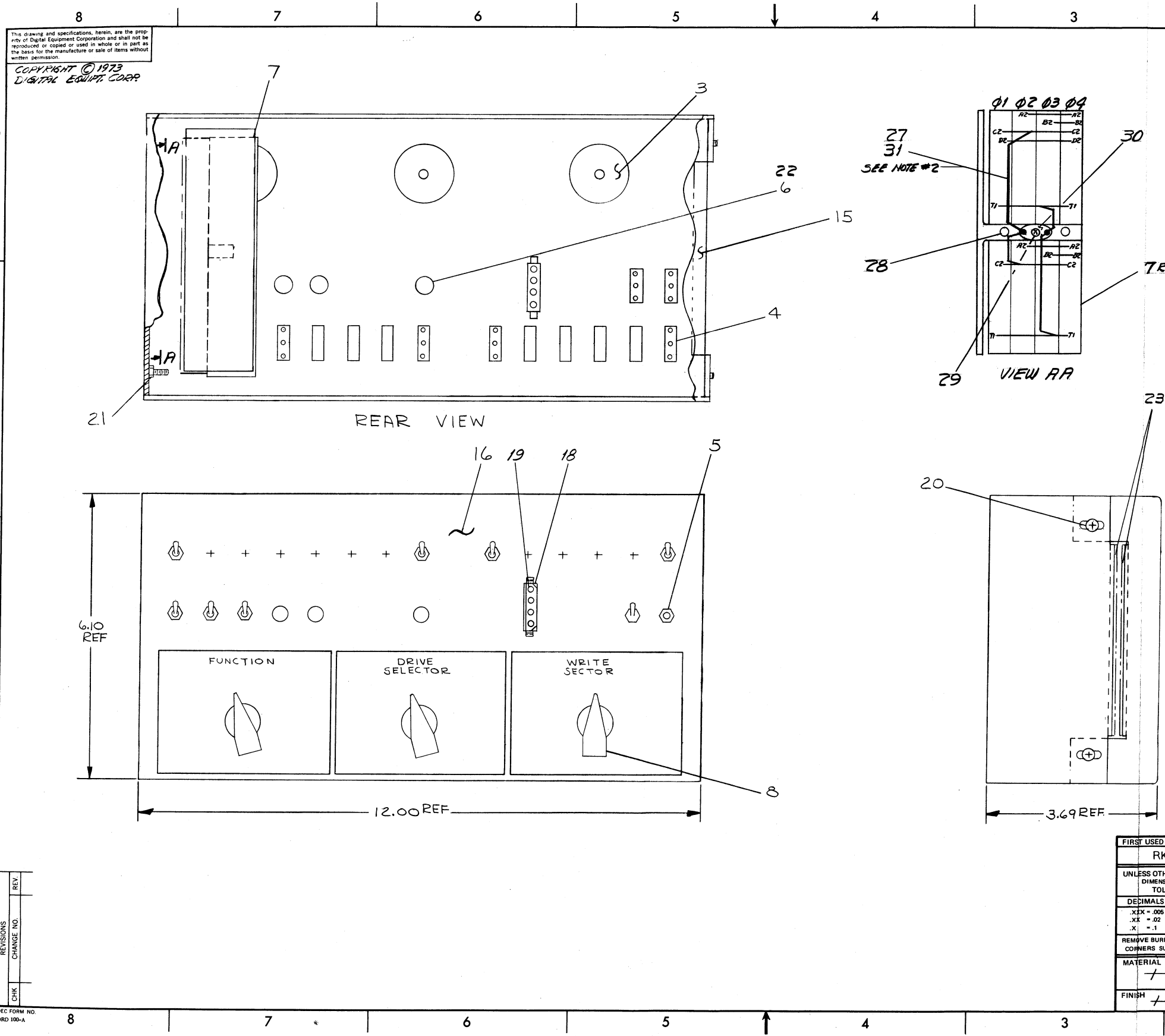
TITLE	R/W POSITIONER TESTER	SHEET OF	3	SIZE CODE	B	DD	NUMBER	RK65-TA	REV
-------	-----------------------	----------	---	-----------	---	----	--------	---------	-----

DRB 107  
DEC 16-1959-1062-3-14871









This drawing and specifications, herein, are the property of Digital Equipment Corporation and shall not be reproduced or copied or used in whole or in part as the basis for the manufacture or sale of items without written permission.  
 COPYRIGHT © 1973  
 DIGITAL EQUIPT. CORP.

0-VI-90K05-TA-02

NOTES:  
 1. \* (ASTERISK) INDICATES ITEM NOT SHOWN ON DRAWING  
 2. CONNECTIONS ON ITEM 27, 31 TO BE LOCATED AND SOLDERED AT MAXIMUM PRACTICAL HEIGHT ABOVE BLOCK.

1	2	3	4
BC11A	M930	G503	G502
CABLE			

MODULE UTILIZATION

QTY.	DESCRIPTION	PART NO.	ITEM NO.
1	TUBING, TEFLON WHT	9107265-09	31
1	TERMINAL, SHAKEPROOF	9007597	30
1	SCR, 8-32 X .25	9008143	29
2	SCR, POSI-DRIVE 8-32 X .62	9006120	28
A/R	BUSS STRIP	1202188	27
* A/R	WIRE #22 AWG I.P.V.C. (GRN)	9107350-33	26
* A/R	WIRE #22 AWG I.P.V.C. (YEL)	9107350-44	25
* A/R	WIRE #22 AWG I.P.V.C. (BLK)	9107350-00	24
A/R	TAPE, VINYL FORM WHT #6T	9008456	23
3	CONNECTOR, BULB	1202641	22
4	NUT, KEPS #6-32 SST	9008185	21
2	SCR PHL HD PAN #6-32 X 1/2	9006024-1	20
4	PIN, CONTACT-FEMALE	1209378-01	19
1	HOUSING, 4 PIN (MATE-LOCK)	1209351-09	18
* 1	TERMINATOR	M930	17
1	FRONT PANEL	D-IA-9605719-00	16
1	CHASSIS, RK05 POSITIONER	D-IA-9605720-00	15
* 1	TEST POSITIONER	G503-0-1	14
* 1	TEST WRITER	G502-0-1	13
* A/R	WIRE #22 AWG I.P.V.C. (BLU)	9107350-06	12
* A/R	WIRE #22 AWG I.P.V.C. (WHT)	9107350-09	11
* 1	CABLE	D-IA-BC11A-8F	10
* A/R	TUBING #22 THIN WALL (BLK)	9107253-00	9
3	KNOB	1204747	8
1	WIRED ASSEMBLY (RK05-TA)	CAD-7009661-00	7
3	LAMP, 28VDC	1202116	6
1	SWITCH, PUSH BUTTON DPST	1203457	5
18	SWITCH, TOGGLE DPST	1201168	4
3	SWITCH, ROTARY IP 11 POS	1201335	3
1	DIODE D664	1100114	2
* A/R	WIRE #22 AWG I.P.V.C. (RED)	9107350-22	1

FIRST USED ON OPTION/MODEL	QTY.	DESCRIPTION	PART NO.	ITEM NO.
RK05				

UNLESS OTHERWISE SPECIFIED DIMENSION IN INCHES. TOLERANCES	DRN	DATE	DATE
DECIMALS	K.D.S.	4-27-72	4-27-72
ANGLES		6-9-72	6-9-72
.XX - .005			
.XX - .02			
.X - .1			

REVISIONS	CHANGE NO.	REV.

MATERIAL	NEXT HIGHER ASSY.	SIZE CODE	NUMBER	REV.
	B-DD-RK05-TA	DJA	RK05-TA-0	

FINISH	SCALE	SHEET	OF
	1/1	1	2

digital EQUIPMENT CORPORATION  
 MAYNARD MASSACHUSETTS  
 TITLE: R/W POSITIONER TESTER  
 DIST. 1 OF 2

DEC FORM NO. DRD 100-A



This drawing and specifications, herein, are the property of Digital Equipment Corporation and shall not be reproduced or copied or used in whole or in part as the basis for the manufacture or sale of items without written permission.

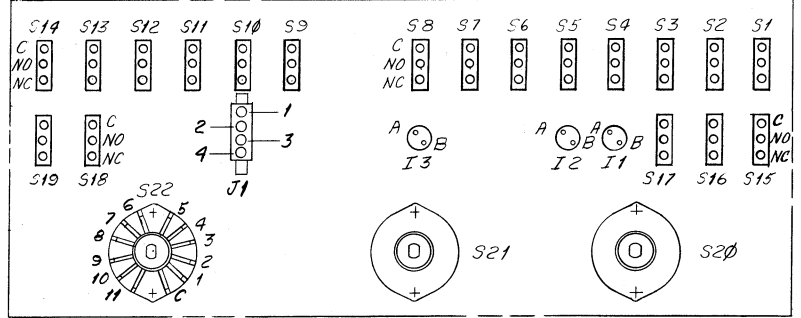
COPYRIGHT © 1973  
DIGITAL EQUIPMENT CORP.

WIRE TABLE						
ITEM NO	DESCRIPTION	FROM	TO		REMARKS	
NO	COLOR	AWG	CONN	WITH	CONN	WITH
25	YEL	#22	S1-NC	SOLDER	A3L1	SOLDER
			S2-NC		A3M1	
			S3-NC		A3N1	
			S9-NC		A3P1	
			S5-NC		A3R1	
			S6-NC		A3S1	
			S7-NC		A3U1	
			S8-NC		A3V1	
			S9-NC		B9V2	
			S10-NC		B9F2	
			S9-C		B9E1	
			S10-C		B9P2	
			S11-NO		B9C1	
			S11-C		A9D1	
			S12-C		A9C1	
			S13-C		A9B1	
			S14-C		A9A1	
			S15-NC		A3A1	
			S15-C		S16-NC	
			S16-NO		A3B1	
			S17-NC		A3E1	
			S17-NO		A3D1	
			S18-C		B1M2	
			S13-NC		B9A1	
			S19-NO		B9B1	
			S20-1		A3H2	
			S21-2		++	
			S20-3		B3F2	
			S20-9		A3H2	
			S21-1		A1J2	
			S21-2		A1K2	
			S21-3		A1L2	
25	YEL		S21-9		A1M2	
24	BLK		S21-C		GND	
24	BLK		S22-1		GND	
25	YEL		S22-2		A9H1	
			S22-3		A9J1	
			S22-9		A9K1	
25	YEL	#22	S22-5	SOLDER	A9L1	SOLDER

WIRE TABLE						
ITEM NO	DESCRIPTION	FROM	TO		REMARKS	
NO	COLOR	AWG	CONN	WITH	CONN	WITH
25	YEL	#22	S22-6	SOLDER	A9N1	SOLDER
			S22-7		A9P1	
			S22-8		A9R1	
			S22-9		A9S1	
			S22-10		A9U1	
			S22-11		A9V1	
			S22-C		B9D1	
			I1-A		B3H2	
25	YEL		I2-A		B3E2	
24	BLK		I3-A		S8-C	
25	YEL		R1-2		I3-B	
25	YEL		I1-B		I2-B	
25	YEL		I2-B		I3-B	
24	BLK		S1-C		S2-C	
			S2-C		S3-C	
			S3-C		S4-C	
			S4-C		S5-C	
			S5-C		S6-C	
			S6-C		S7-C	
			S7-C		S8-C	
			S9-C		S9-NO	
			S9-NO		S10-NO	
			S10-NO		S11-NC	
			S11-NO		S12-NO	
			S12-NO		S13-NO	
			S13-NO		S14-NO	
			S14-NC		S13-NC	
			S13-NC		S12-NC	
			S12-NC		S11-NC	
			S14-NC		S19-C	
			S19-C		S18-NO	
			S17-C		S16-C	
			S20-C		S21-C	
24	BLK		B9C1		GND	
1	RED		A9A2		B9B2	
11	WHT		A9C2		B9C2	
12	BLU		A9B2		B9B2	
24	BLK		S21-C		S22-1	
24	BLK	#22	S22-1	SOLDER	GND	SOLDER

24	BLK	#22	J1-1	ITEM#19	GND	SOLDER
12	BLU	#22	J1-9		A9B2	SOLDER
25	YEL	#22	J1-3		I1-B	SOLDER
1	RED	#22	J1-2		A9A2	SOLDER
26	ORN	#22	J1-3	ITEM#19	A9A2	SOLDER

EXTERNAL COMPONENT LIST							
ITEM NO.	DESCRIPTION	POL	FROM	WITH	POL	TO	REMARKS
2	DIODE	+	S20-1	ITEM#9	-	S20-4	ITEM#9



REAR VIEW

FIRST USED ON OPTION/MODEL	QTY.	DESCRIPTION	PART NO.	ITEM NO.
RK05				
UNLESS OTHERWISE SPECIFIED DIMENSION IN INCHES. TOLERANCES				
DECIMALS	ANGLES	TITLE		
.XXX = .005	±0° 30'	R/W POSITIONER TESTER		
REMOVE BURRS AND BREAK SHARP CORNERS SURFACE QUALITY				
MATERIAL	NEXT HIGHER ASSY.	SIZE CODE	NUMBER	REV.
	B-DD-RK05-TA	DUA	RK05-TA-0	
FINISH	SCALE	SHEET	DIST.	
	NONE	2 OF 2		

BRUNING 40-107 1586B  
DEC FORM NO DRD 100-A

REVISIONS  
CHANGE NO. REV.

CHK

REV  
DUA RK05-TA-0



8 7 6 5 4 3 2 1

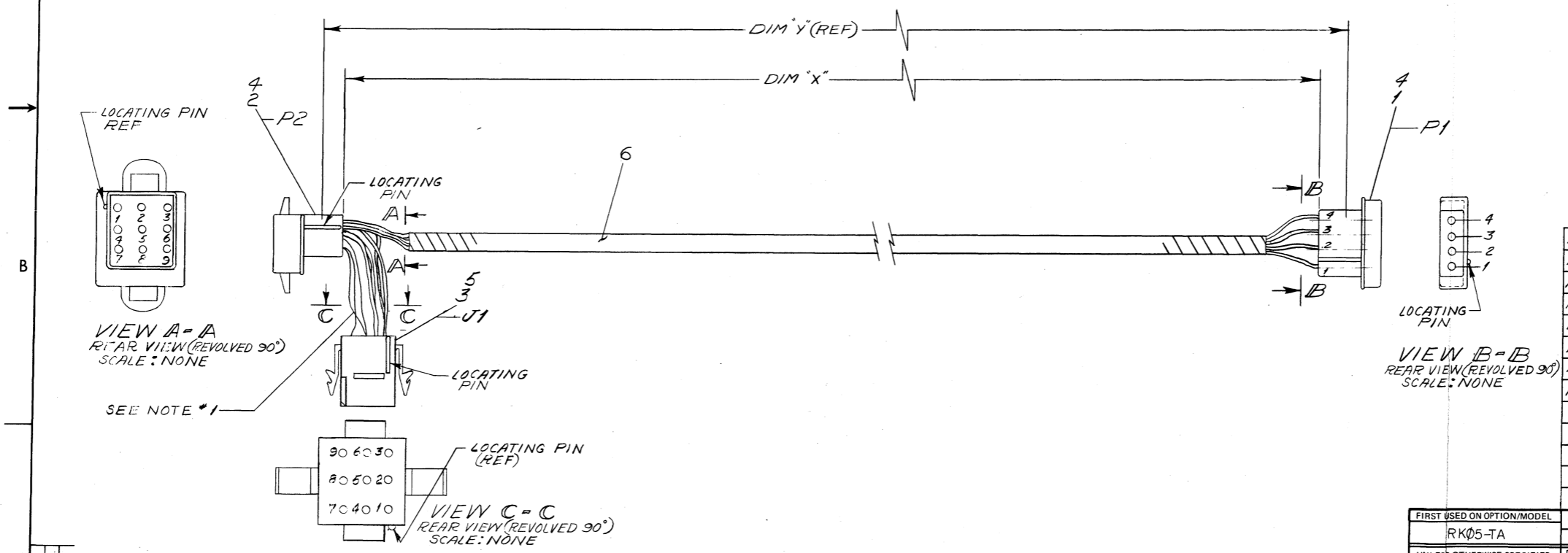
This drawing and specifications, herein, are the property of Digital Equipment Corporation and shall not be reproduced or copied or used in whole or in part as the basis for the manufacture or sale of items without written permission.

COPYRIGHT © 1973 DIGITAL EQUIPMENT CORPORATION

LEGEND		
NUMBER	DIM X VARIATION	DIM Y (PRECUT) REF
9606036-06	6 FEET ± 2 IN	6 FEET 3 IN

WIRE TABLE						
ITEM NO.	DESCRIPTION	FROM	TO	REMARKS		
9	ORN #18	P2-1	ITEM*4 P1-3 ITEM*4			
8	BLU #18	P2-2	ITEM*4 P1-4 ITEM*4			
7	RED #18	P2-3	ITEM*4 P1-2 ITEM*4 J1-3 ITEM*4			
10	BLK #18	P2-4	ITEM*4 P1-1 ITEM*4 J1-4 ITEM*4			
13	VIO #22	P2-5	ITEM*4 J1-5 ITEM*4			
11	YEL #22	P2-7	ITEM*4 J1-7 ITEM*4			
12	GRN #22	P2-6	ITEM*4 J1-6 ITEM*4			

NOTES:  
1 ALL WIRES GOING FROM P2-J1 TO BE 2.75 IN. LONG ± .25 IN.



QTY.	DESCRIPTION	PART NO.	ITEM NO.
13	A/R WIRE, #22 AWG I.P.V.C. (VIO)	9107350-77	13
12	A/R WIRE, #22 AWG I.P.V.C. (GRN)	9107350-55	12
11	A/R WIRE, #22 AWG I.P.V.C. (YEL)	9107350-49	11
10	A/R WIRE, #18 AWG I.P.V.C. (BLK)	9107360-00	10
9	A/R WIRE, #18 AWG I.P.V.C. (ORN)	9107360-33	9
3	A/R WIRE, #18 AWG I.P.V.C. (BLU)	9107360-86	3
7	A/R WIRE, #18 AWG I.P.V.C. (RED)	9107360-22	7
6	A/R WRAP SPIRAL .25 IN	9107240	6
5	7 PIN, MATE-N-LOCK (FEMALE)	1209379-01	5
4	11 PIN, MATE-N-LOCK (MALE)	1209373-01	4
3	1 HOUSING, MATE-N-LOCK	1209350-03	3
2	1 HOUSING, MATE-N-LOCK	1209351-03	2
1	1 HOUSING, MATE-N-LOCK	1209351-04	1

FIRST USED ON OPTION/MODEL	QTY.	DESCRIPTION	PART NO.	ITEM NO.
RK05-TA				

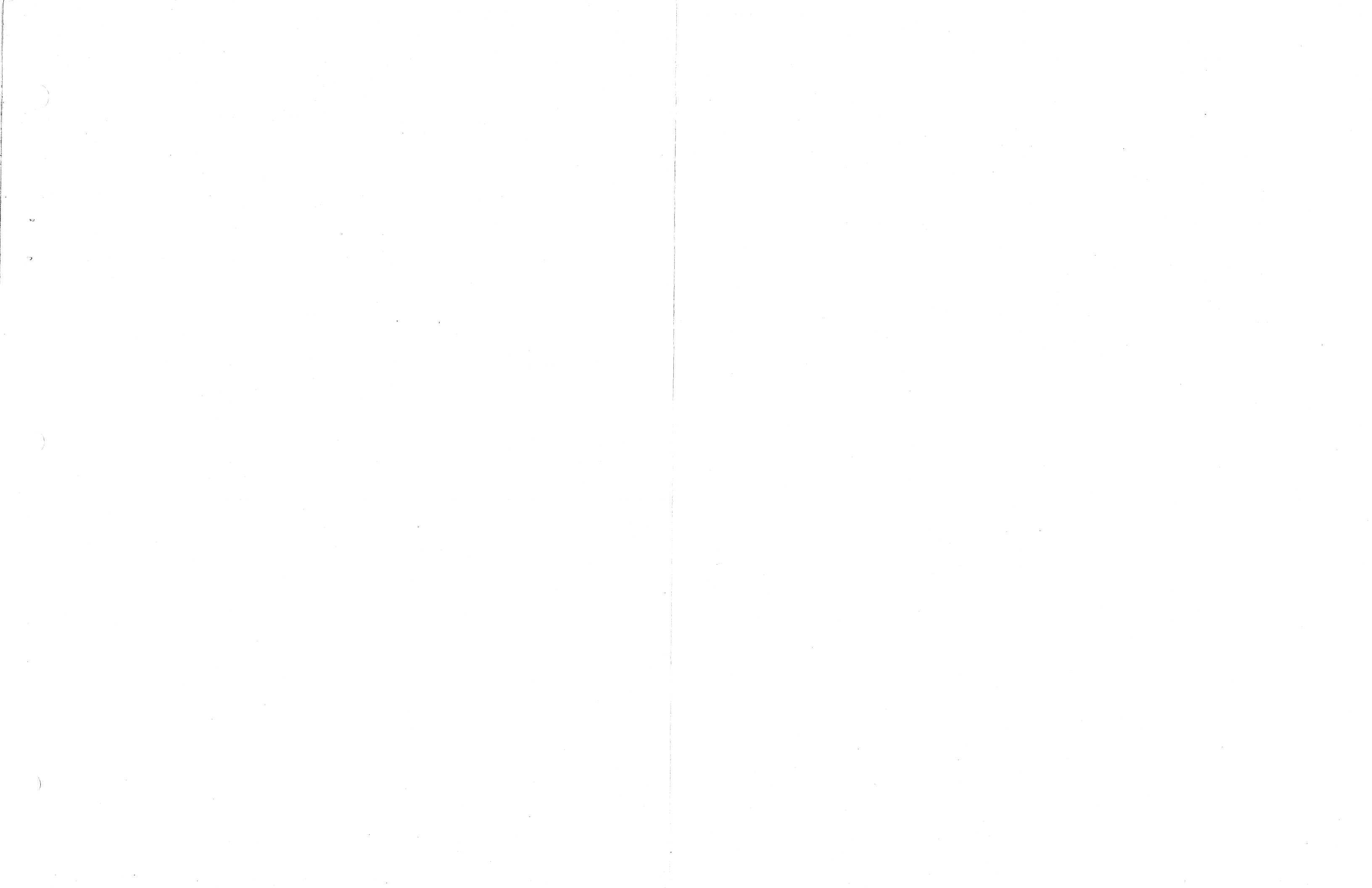
  

UNLESS OTHERWISE SPECIFIED DIMENSION IN INCHES. TOLERANCES		PARTS LIST	
DECIMALS	ANGLES	DRN	DATE
.XXX ± .005		<i>H. Smith</i>	1/5/73
.XX ± .02	± 0° 30'	CHK'D	DATE
.X ± .1		<i>H. Smith</i>	5-5-73
REMOVE BURRS AND BREAK SHARP CORNERS SURFACE QUALITY		ENGR	DATE
		<i>H. Smith</i>	2-5-74
		PRG ENGR	DATE
		<i>H. Smith</i>	2/4/74
		PROD	DATE
		<i>R. O. Jones</i>	2/4/74
MATERIAL	NEXT HIGHER ASSY.	TITLE	
SEE PARTS LIST	D UA RK05-TA	CABLE, POWER	
FINISH	SCALE 1/1	(RK05-TA)	
	SHEET 1 OF 1	SIZE CODE	NUMBER
		D IA	9606036-0-0
		REV.	

REV.	CHANGE NO.

BRUNING 40-107 15689 DEC FORM NO DRD 100-A

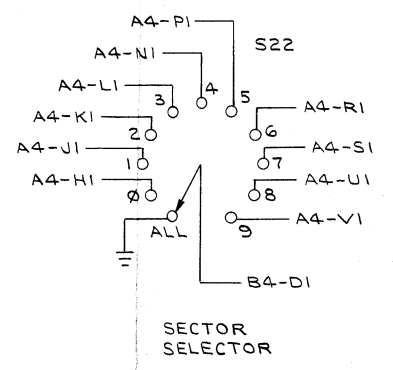
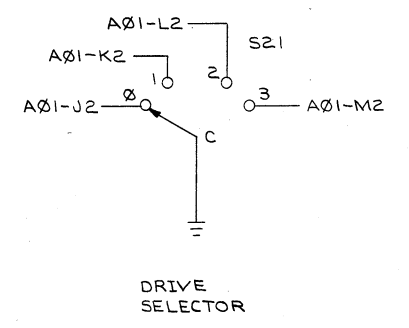
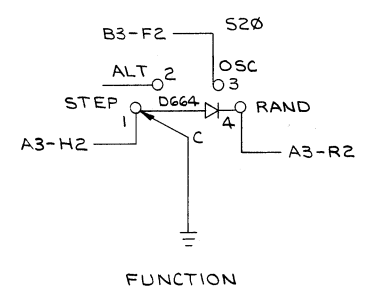
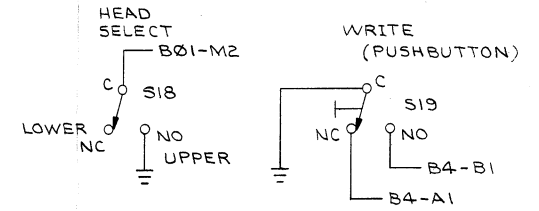
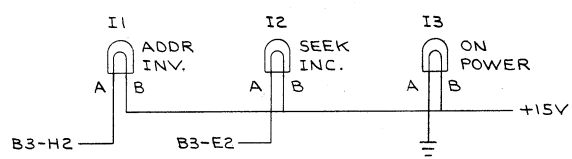
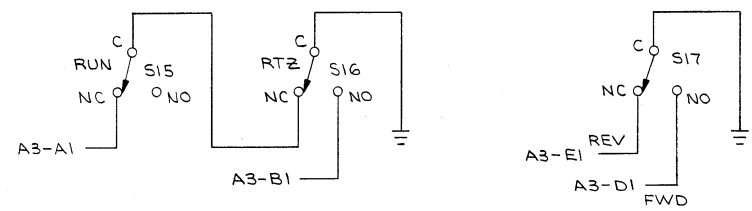
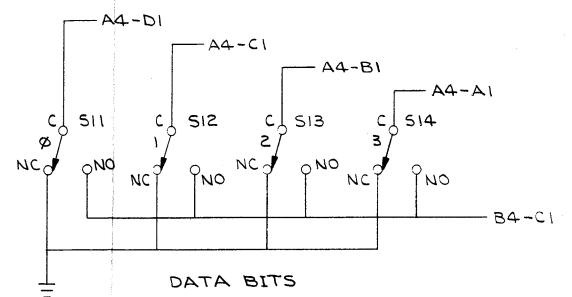
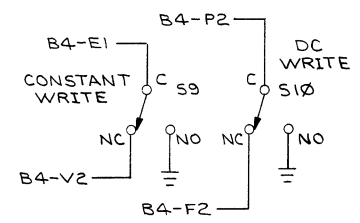
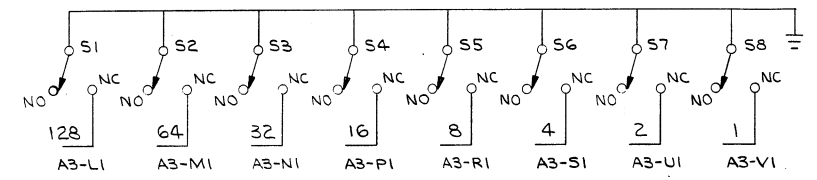
8 7 6 5 4 3 2 1



"THIS DRAWING AND SPECIFICATIONS, HEREIN, ARE THE PROPERTY OF DIGITAL EQUIPMENT CORPORATION AND SHALL NOT BE REPRODUCED OR COPIED OR USED IN WHOLE OR IN PART AS THE BASIS FOR THE MANUFACTURE OR SALE OF ITEMS WITHOUT WRITTEN PERMISSION. COPYRIGHT © 1974, DIGITAL EQUIPMENT CORPORATION"

D  
C  
B  
A

D  
C  
B  
A



REV.	
CHANGE NO.	
CHK	

DEC FORM NO. 080 102-C

FIRST USED ON OPTION/MODEL	QTY.	DESCRIPTION	PART NO.	ITEM NO.
RK05-TA				
PARTS LIST				
UNLESS OTHERWISE SPECIFIED DIMENSION IN INCHES		DRN. <i>J. R. Lambson</i>	DATE 1-7-74	
TOLERANCES		CHK'D <i>R.P. Lewis</i>	DATE 2-12-74	
DECIMALS	ANGLES	ENG. <i>R.P. Lewis</i>	DATE 2-11-74	TITLE <b>DEC PACK TEST POSITIONER/WRITER</b>
xxx = .005	±0° 30'	PRD. ENG. <i>R.P. Lewis</i>	DATE 2/11/74	
xx = .02		PROD. <i>R.P. Lewis</i>	DATE 2-12-74	
REMOVE BURRS AND BREAK SHARP CORNERS SURFACE QUALITY Y				
MATERIAL	NEXT HIGHER ASSY.		SIZE CODE	NUMBER
FINISH	SCALE $\frac{1}{1}$		D CS	RK05-TA-1
SHEET 1 OF 1			DIST.	

REV. NUMBER SIZE CODE DCS RK05-TA-1

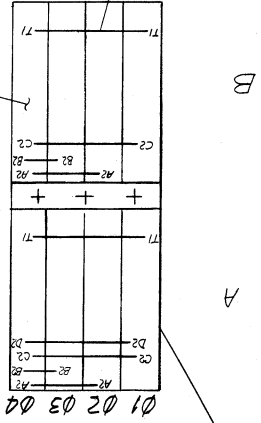






"THIS DRAWING AND SPECIFICATION HEREIN ARE THE PROPERTY OF DIGITAL EQUIPMENT CORPORATION AND SHALL NOT BE REPRODUCED OR USED IN WHOLE OR IN PART AS THE BASIS FOR THE MANUFACTURE OR SALE OF ITEMS WITHOUT WRITTEN PERMISSION FROM DIGITAL EQUIPMENT CORPORATION." COPYRIGHT © 1973, DIGITAL EQUIPMENT CORPORATION.

NOTES  
 1. CONNECTIONS ON ITEM NUMBER 2 TO BE LOCATED AND SOLDERED AT MINIMUM PRACTICAL HEIGHT ABOVE BLOCKS.  
 2. CONNECTOR BLOCK TO BE GROUNDED TO GROUND LUG AS SHOWN.  
 3. TURNER GROUND BUSSING AS SHOWN, 4 PLACES.  
 4. USE YELLOW WIRE (ITEM#3) FOR MACHINE WRAPPED AND BLUE WIRE (ITEM#4) FOR HAND WRAPPED WIRING.



FIRST USED ON OPTION/MODEL		PARTS LIST	
QTY.	DESCRIPTION	PART NO.	ITEM NO.
1	PIN, BLOCK 288	1205348	1
1	BUSS WIRE	9107500-01	2
3	WIRE #30RHS PVC (YEL)	9105740-44	3
4	WIRE #30RHS PVC (BLU)	9105740-66	4

UNLESS OTHERWISE SPECIFIED		DIMENSIONS IN INCHES	
TOLERANCES	ANGLES	DECIMALS	ANGLES
±.005	±.005	±.005	±.005
±.010	±.010	±.010	±.010
±.020	±.020	±.020	±.020
±.030	±.030	±.030	±.030

UNLESS OTHERWISE SPECIFIED		NEXT HIGHER ASSY.	
DATE	BY	DATE	BY
11/17/73	W. J. ...	11/17/73	W. J. ...
11/17/73	W. J. ...	11/17/73	W. J. ...
11/17/73	W. J. ...	11/17/73	W. J. ...

REVISIONS	
REV	CHANGE NO
1	1

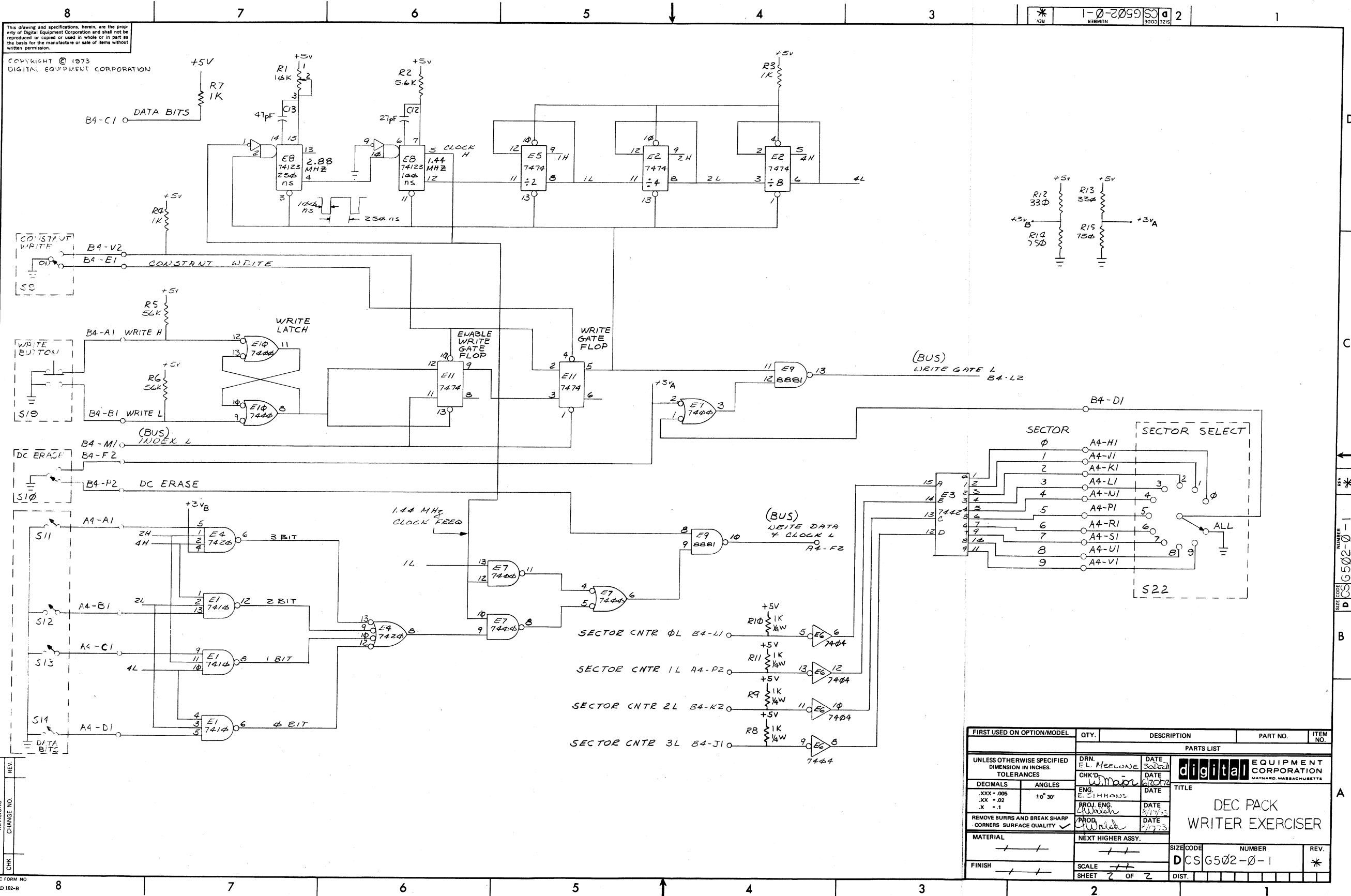
MATERIAL	
FINISH	SCALE
SS	1/1
SS	1/1

D-VA-RK05-TA-0	
SIZE CODE	NUMBER
CAD	7009661-0-0





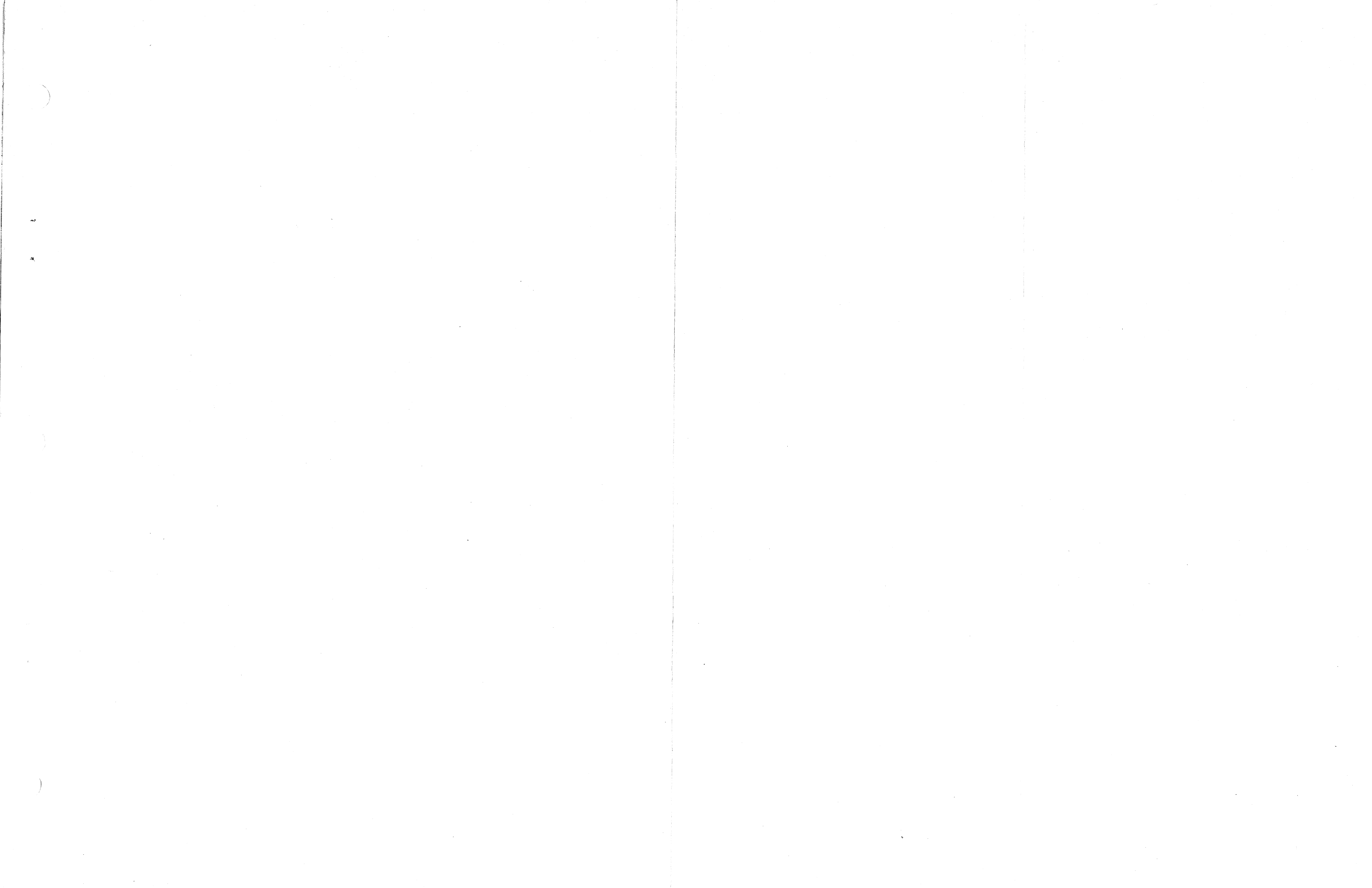


8 7 6 5 4 3 2 1

This drawing and specifications, herein, are the property of Digital Equipment Corporation and shall not be reproduced or copied in whole or in part as the basis for the manufacture or sale of items without written permission.

COPYRIGHT © 1973  
DIGITAL EQUIPMENT CORPORATION

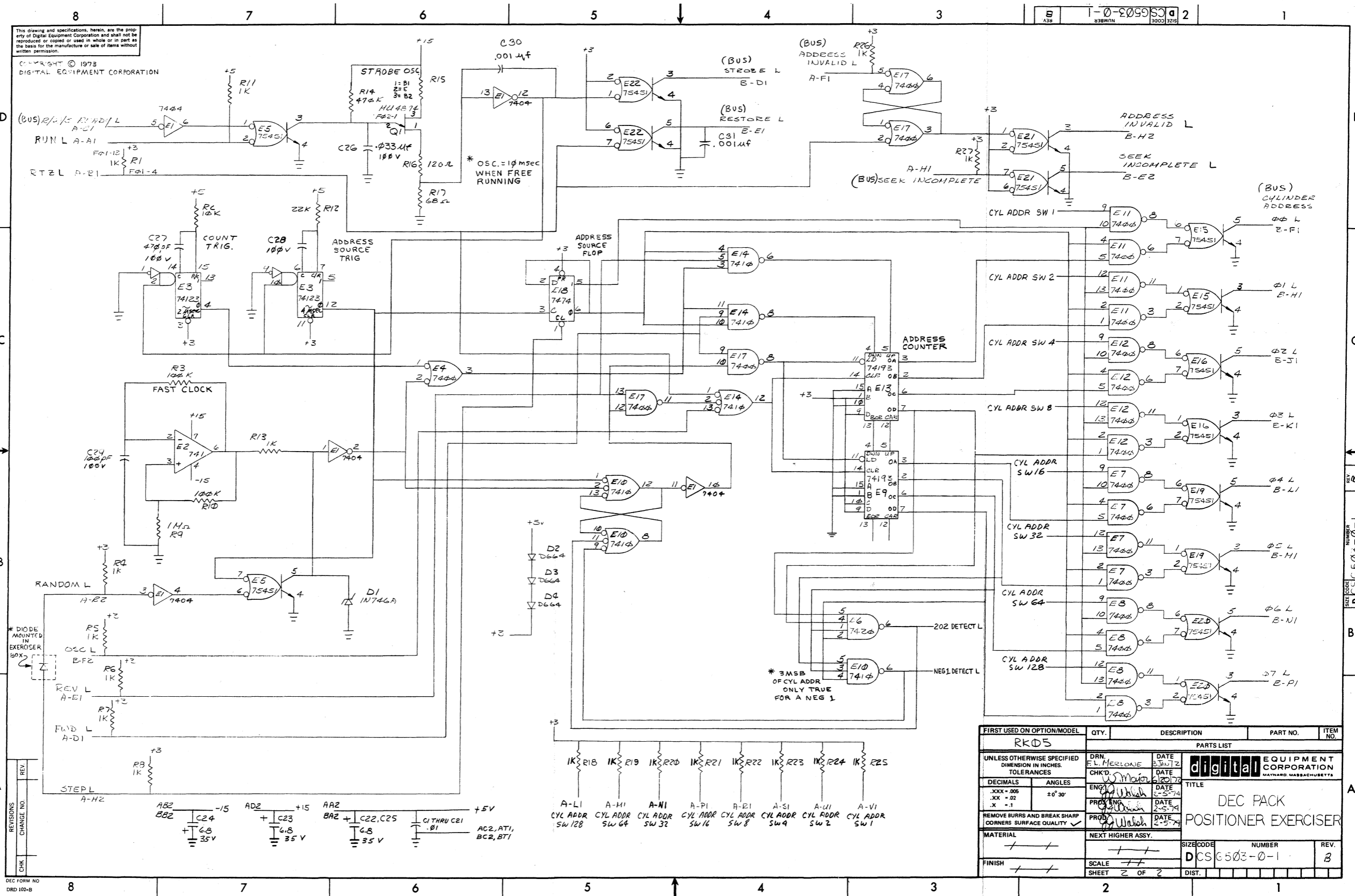
FIRST USED ON OPTION/MODEL	QTY.	DESCRIPTION	PART NO.	ITEM NO.
PARTS LIST				
UNLESS OTHERWISE SPECIFIED DIMENSION IN INCHES TOLERANCES	DRN. E.L. MEALONE	DATE 30 DEC 71	<b>digital</b> EQUIPMENT CORPORATION MAYNARD, MASSACHUSETTS	
DECIMALS	CHK'D W. MAJOR	DATE 6/20/72		
.XXX = .005 .XX = .02 .X = .1	ANGLES ±0°30'	ENG. E. SIMMONS	DATE 8/17/73	TITLE <b>DEC PACK WRITER EXERCISER</b>
REMOVE BURRS AND BREAK SHARP CORNERS SURFACE QUALITY	PROJ. ENG. W. MAJOR	DATE 7/7/73	PROD. W. MAJOR	
MATERIAL	NEXT HIGHER ASSY.	SIZE CODE	NUMBER	REV.
FINISH	SCALE	DIST.	D E S I G N O 2 - 0 - 1	*
REVISIONS	CHANGE NO.	REV.		
CHK				



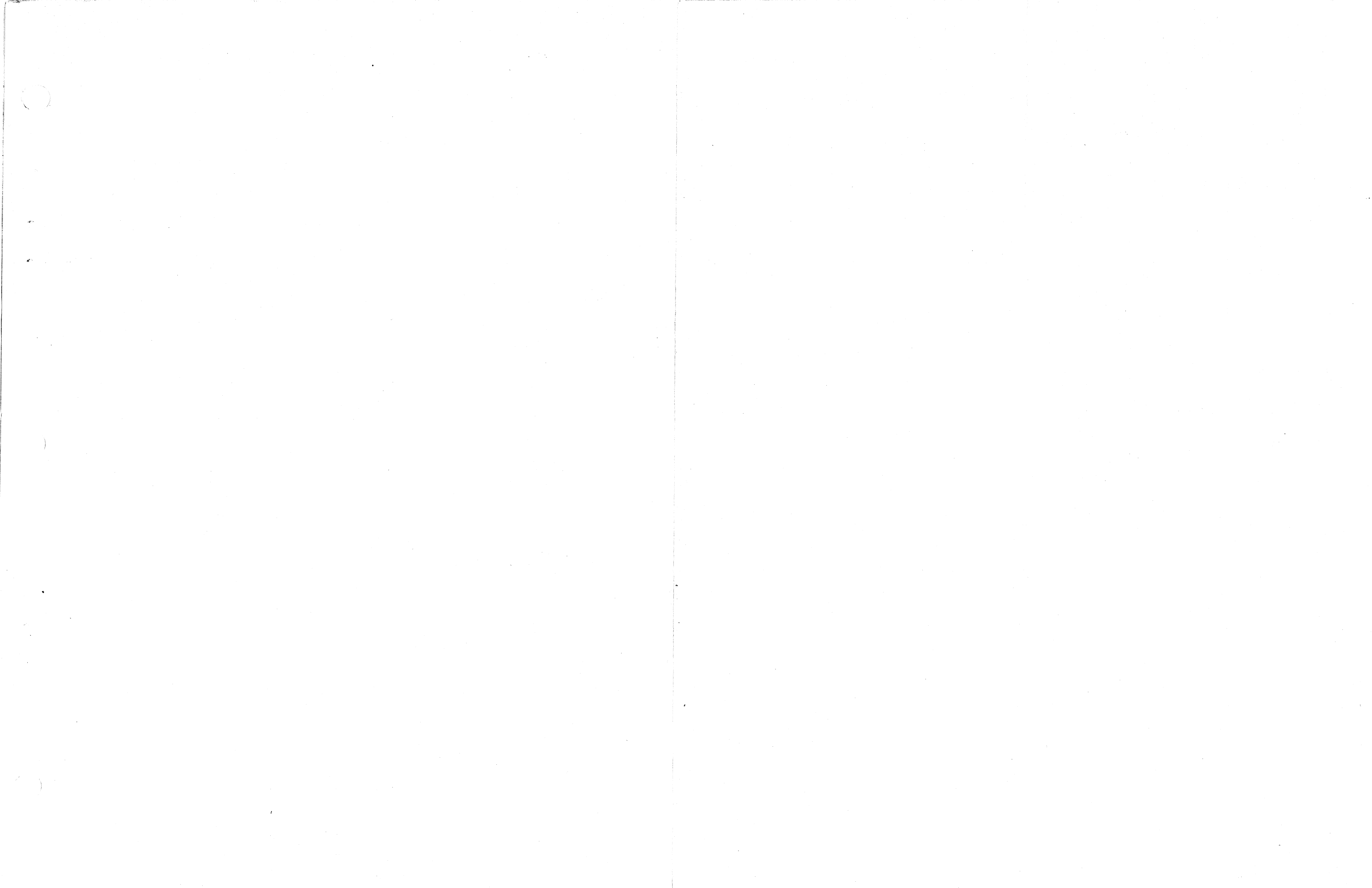








FIRST USED ON OPTION/MODEL	QTY.	DESCRIPTION	PART NO.	ITEM NO.
RK05				
PARTS LIST				
UNLESS OTHERWISE SPECIFIED DIMENSION IN INCHES. TOLERANCES				
DECIMALS	ANGLES	TITLE		
.XXX ± .005	± 0° 30'	DEC PACK POSITIONER EXERCISER		
.XX ± .02		DATE 2-5-74		
.X ± .1		DATE 2-5-74		
REMOVE BURRS AND BREAK SHARP CORNERS SURFACE QUALITY				
MATERIAL	NEXT HIGHER ASSY.	SIZE CODE	NUMBER	REV.
		D	DCS6503-0-1	3
FINISH	SCALE	SHEET	2 OF 2	DIST.



**RK05 EXERCISER MAINTENANCE LOG**

DATE	MAINTENANCE (Check One)		FAULT SYMPTOMS (If Any)	SOLUTION
	Preventive	Corrective		



**RK05 EXERCISER MAINTENANCE LOG**

DATE	MAINTENANCE (Check One)		FAULT SYMPTOMS (If Any)	SOLUTION
	Preventive	Corrective		



**RK05 EXERCISER MAINTENANCE LOG**

DATE	MAINTENANCE (Check One)		FAULT SYMPTOMS (if Any)	SOLUTION
	Preventive	Corrective		





**RK05 EXERCISER MAINTENANCE LOG**

DATE	MAINTENANCE (Check One)		FAULT SYMPTOMS (If Any)	SOLUTION
	Preventive	Corrective		



RK05 EXERCISER MAINTENANCE LOG

DATE	MAINTENANCE (Check One)		FAULT SYMPTOMS (If Any)	SOLUTION
	Preventive	Corrective		



**READER'S COMMENTS**

**RK05 EXERCISER MAINTENANCE MANUAL  
DEC-00-HZRKA-A-D**

Digital Equipment Corporation maintains a continuous effort to improve the quality and usefulness of its publications. To do this effectively we need user feedback: your critical evaluation of this document. Please give specific page and line references when appropriate.

**ERRORS NOTED IN THIS PUBLICATION:**

---

---

---

---

---

---

---

**SUGGESTIONS FOR IMPROVEMENT OF THIS PUBLICATION:**

---

---

---

---

---

---

---

**MISSING DOCUMENTATION:**

Is there sufficient documentation on associated system programs required for use of the software described in this manual? If not, what material is missing and where should it be placed?

---

---

---

---

---

---

---

Name \_\_\_\_\_ Date \_\_\_\_\_

Organization \_\_\_\_\_

Please describe your position \_\_\_\_\_

Street \_\_\_\_\_

City \_\_\_\_\_ State \_\_\_\_\_ Zip Code \_\_\_\_\_

Fold Here

Do Not Tear - Fold Here and Staple

FIRST CLASS  
PERMIT NO. 33  
MAYNARD, MASS.

**BUSINESS REPLY MAIL**  
**NO POSTAGE STAMP NECESSARY IF MAILED IN THE UNITED STATES**

Postage will be paid by:

Digital Equipment Corporation  
Technical Documentation Department  
Digital Park, PK3-2  
Maynard, Massachusetts 01754





**Digital Equipment Corporation  
Maynard, Massachusetts**

