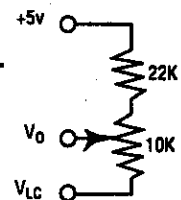


LCDC-1335 CONTROLLER BOARD (CONTINUED)

HARDWARE CONNECTION

- ▶ To Select MPU Interfaces on G121C, G242C, G321D, G324E With Built-in Controller:
SEL1=0, SEL2=0 for 8085 intel type MPU. SEL1=1, SEL2=0 for 6800 Motorola type MPU
- ▶ To Enable the Display on the Graphic Modules:
Connect INHX to +5V

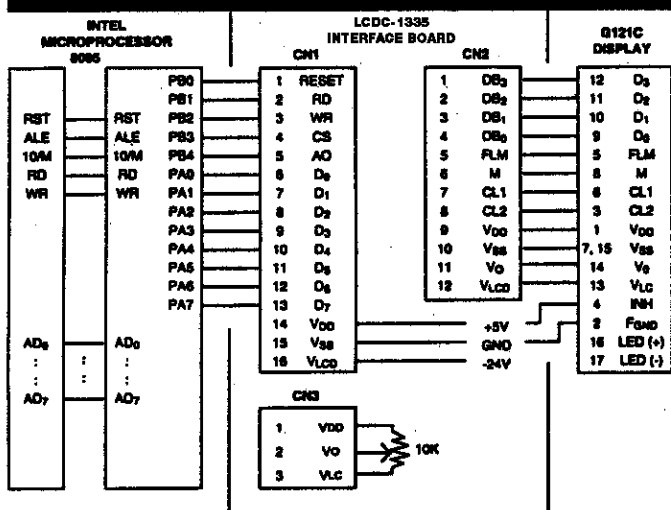
- ▶ To Disable the Display on the Graphic Modules:
Connect INHX to Ground
- ▶ CONTRAST CONTROL ON LCDC-1335
Apply V_{LCD} (<VO) to pin 16 of CN1 (e.g., -15v for G191C)
Use a 10K Ω potentiometer on CN3 to adjust V_o
- ▶ Contrast Control on the Modules With Built-in Controller



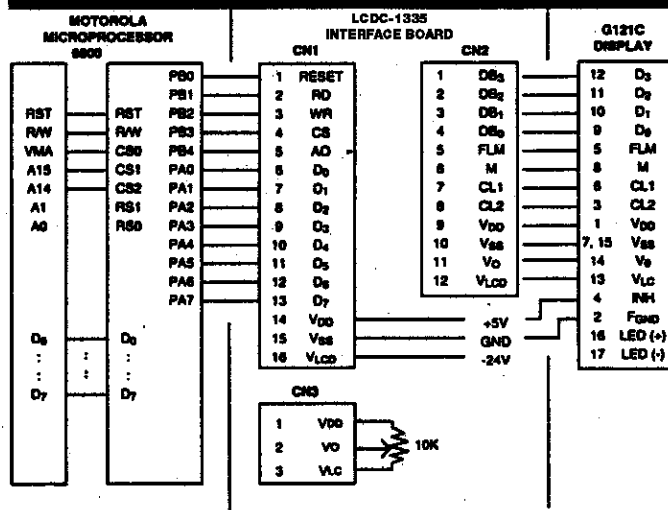
OPTIMUM CONTRAST CONTROL VOLTAGE

Module	G121C	G191C	G2436	G242C	G321D	G321E	G324E	G648D	G649D
V_o	-15.1V	-12.5V	-7.8V	-13.0V	-17.0V	-16.5V	-16.5V	-17.5V	-17.5V

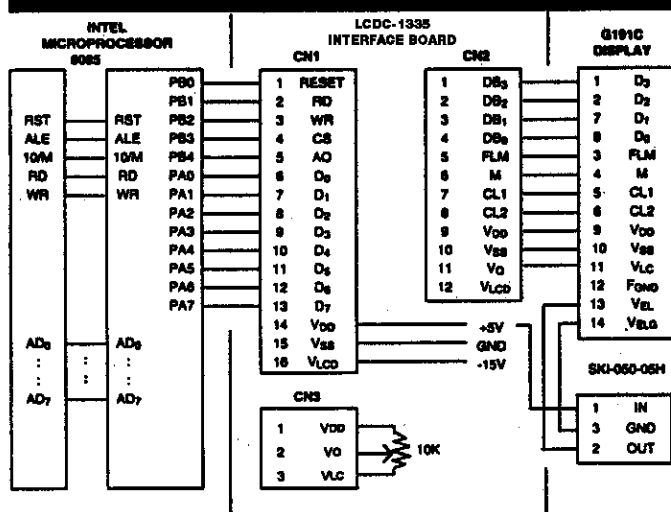
G121C = 128 x 128 WITH INTEL MPU



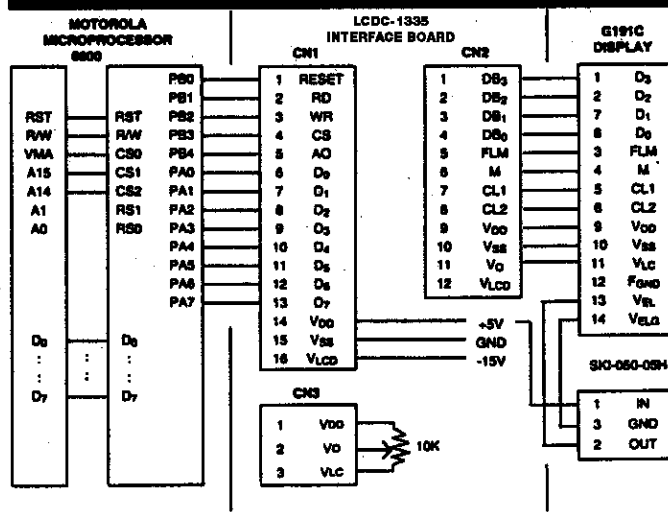
G121C = 128 x 128 WITH MOTOROLA MPU



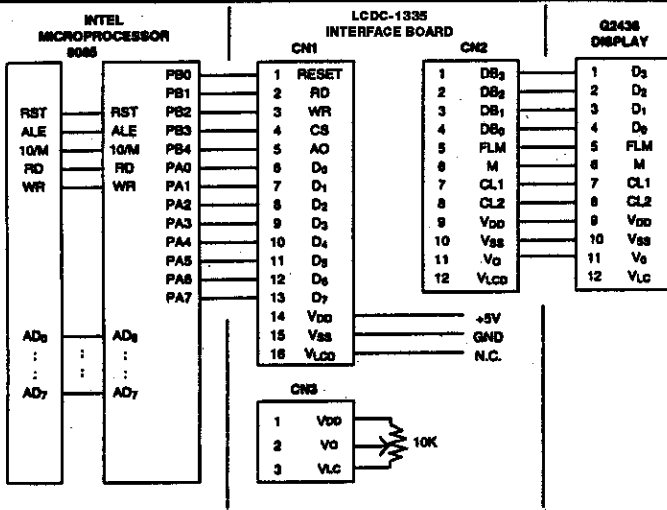
G191C = 128 x 128 WITH INTEL MPU



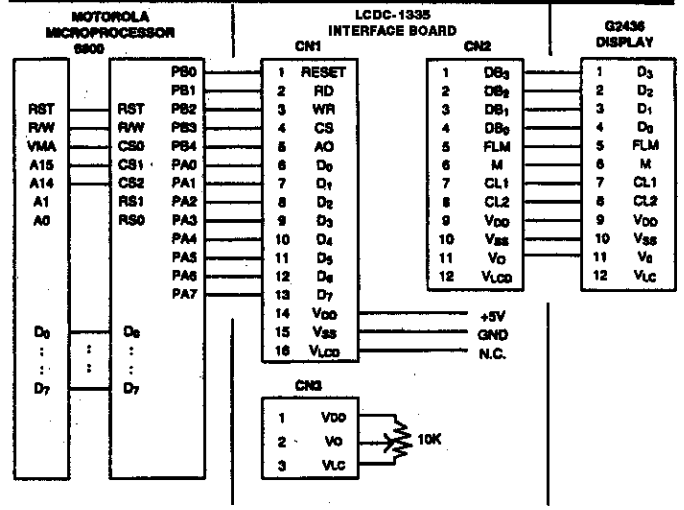
G191C = 128 x 128 WITH MOTOROLA MPU



G2436 = 240 x 64 WITH INTEL MPU

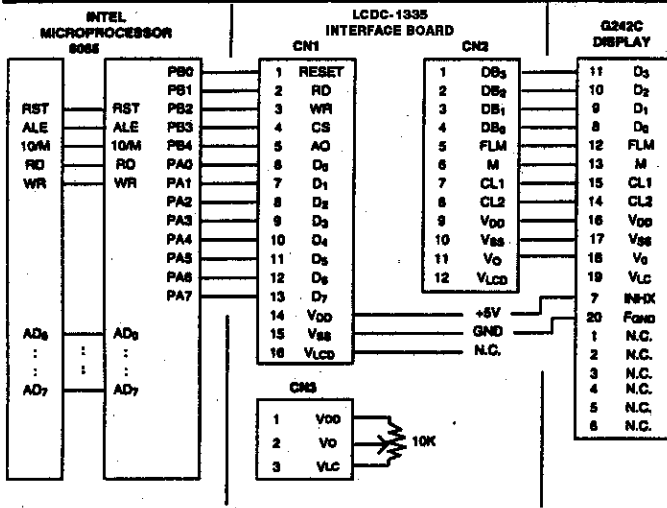


G2436 = 240 x 64 WITH MOTOROLA MPU

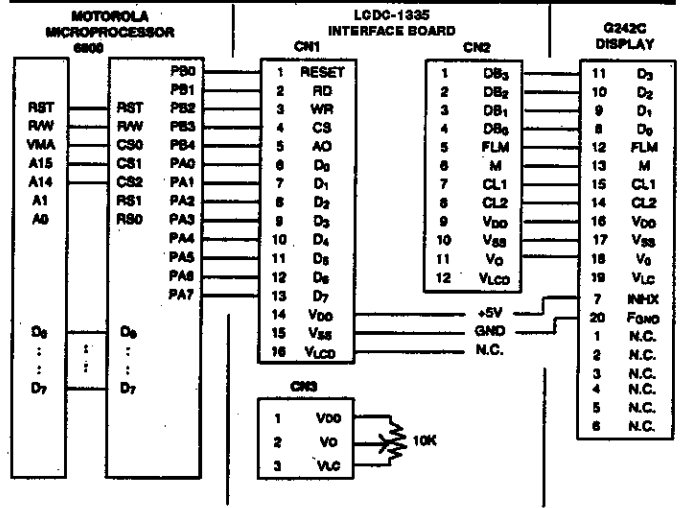


LCDC-1335 CONTROLLER BOARD (CONTINUED)

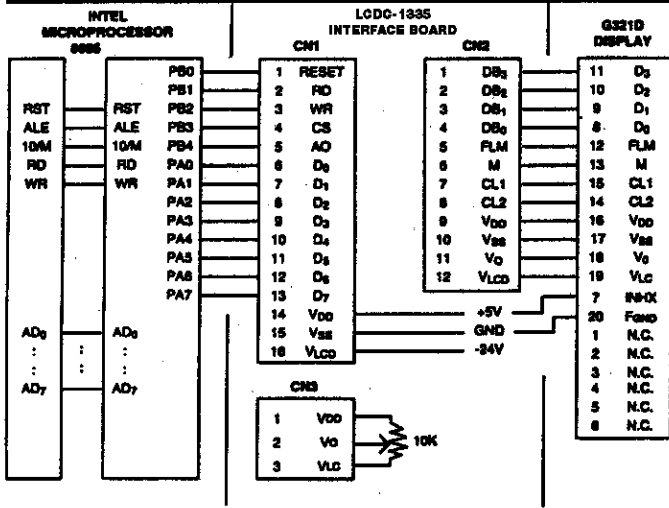
G242CX5R1A0 = 240 x 128 WITH INTEL MPU



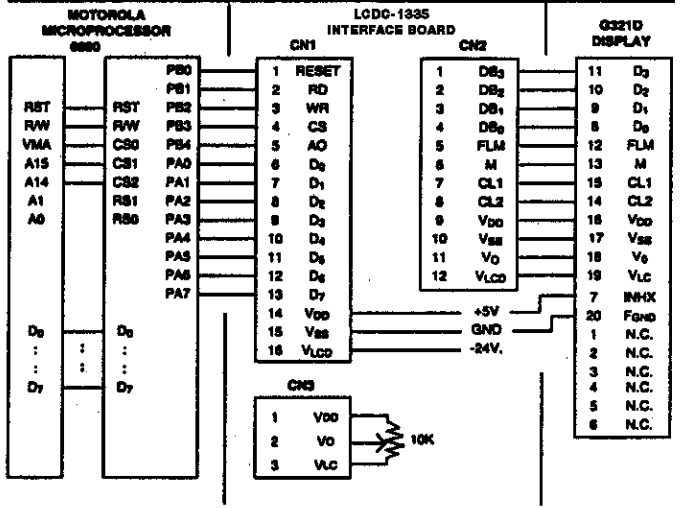
G242CX5R1A0 = 240 x 128 WITH MOTOROLA MPU



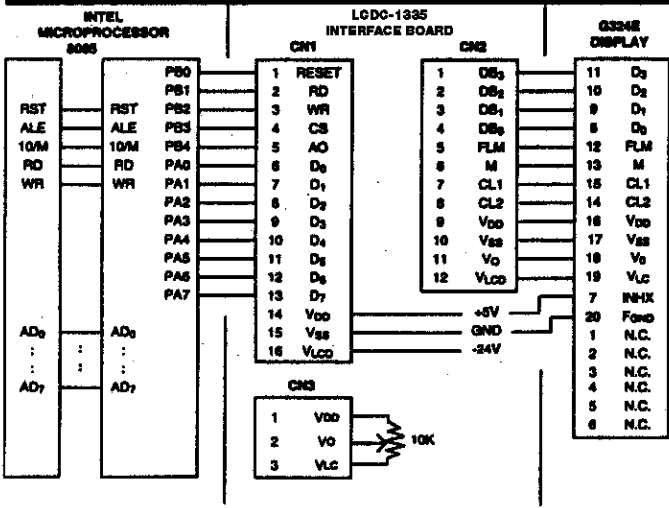
G321DX5R1A0 = 320 x 200 WITH INTEL MPU



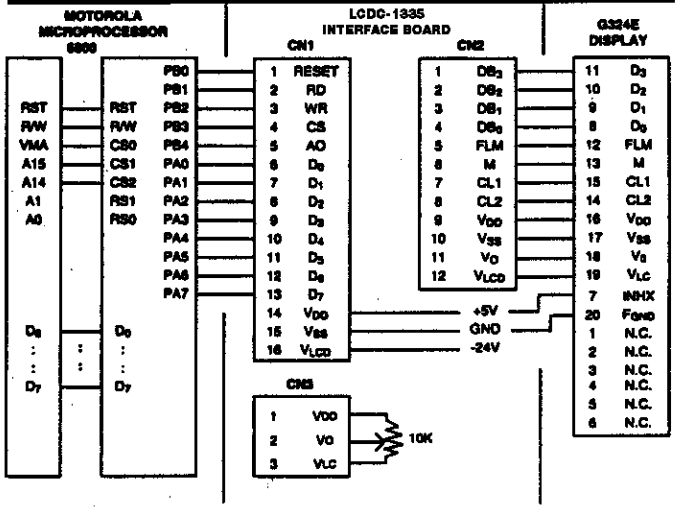
G321DX5R1A0 = 320 x 200 WITH MOTOROLA MPU



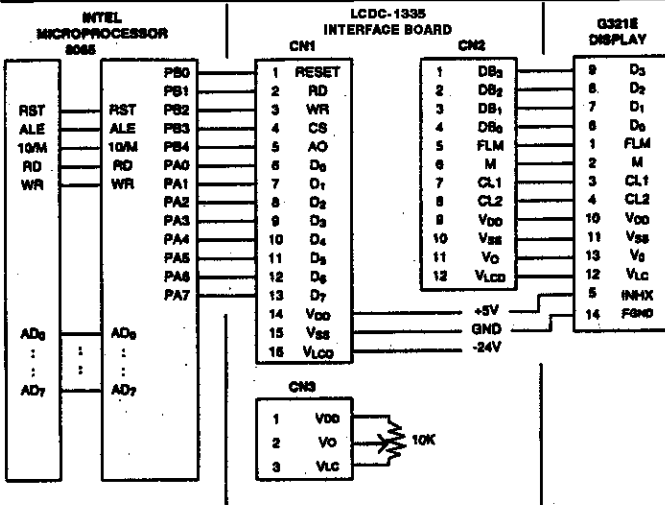
G324EX5R1A0 = 320 x 240 WITH INTEL MPU



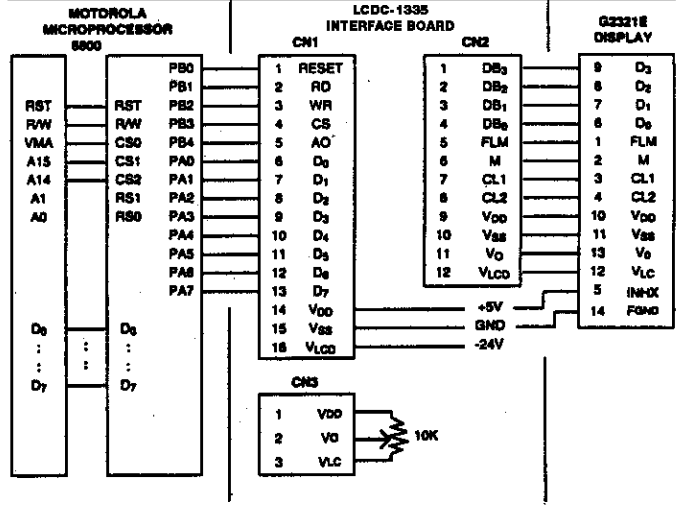
G324EX5R1A0 = 320 x 240 WITH MOTOROLA MPU



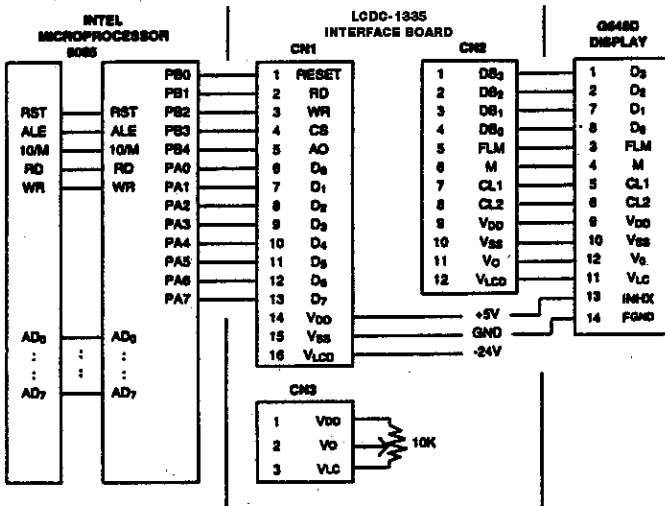
G321EV5R000 = 320 x 240 WITH INTEL MPU



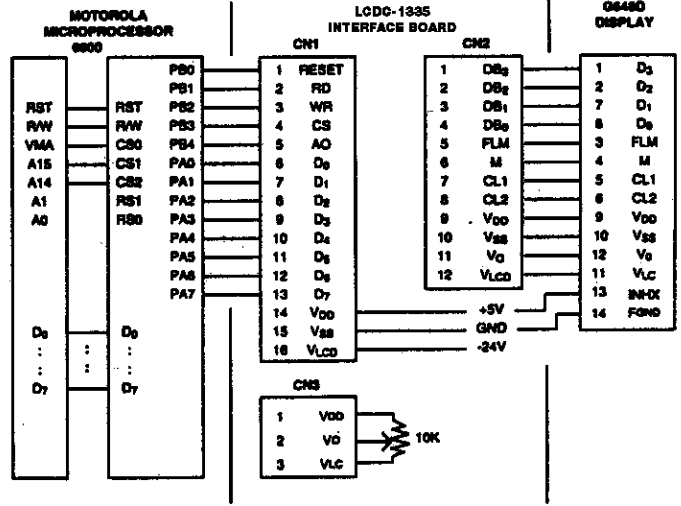
G321EV5R000 = 320 x 240 WITH MOTOROLA MPU



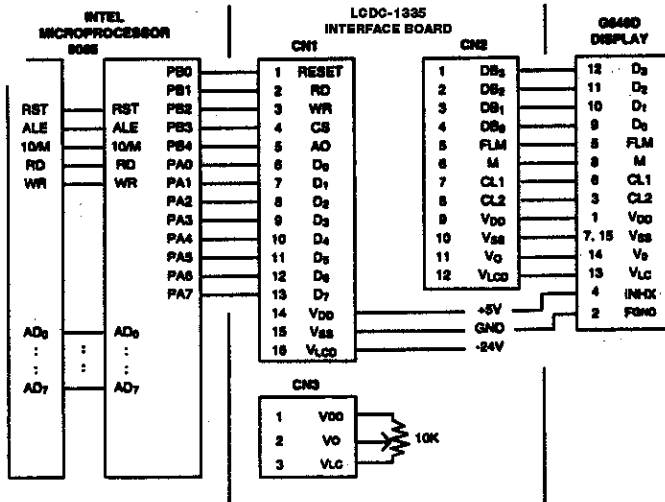
G648D = 640 x 200 WITH INTEL MPU



G648D = 640 x 200 WITH MOTOROLA MPU



G649D = 640 x 200 WITH INTEL MPU



G649D = 640 x 200 WITH MOTOROLA MPU

