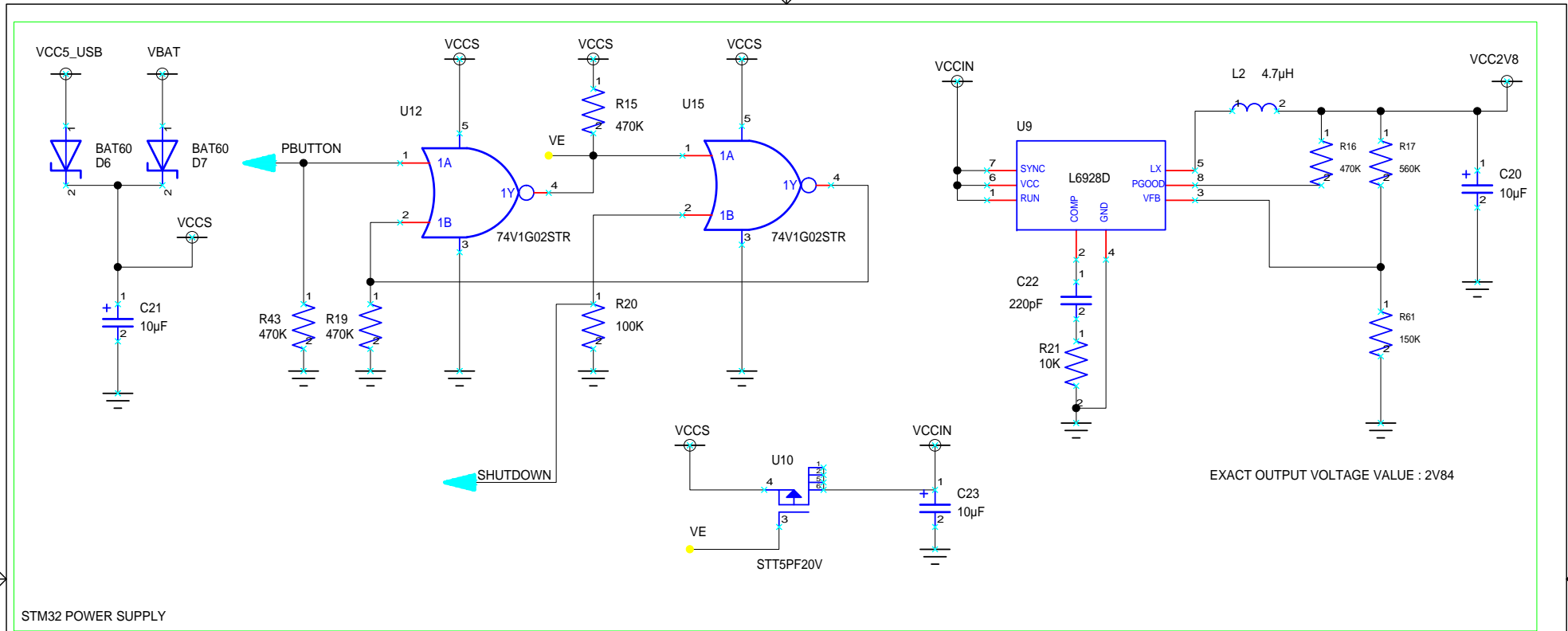
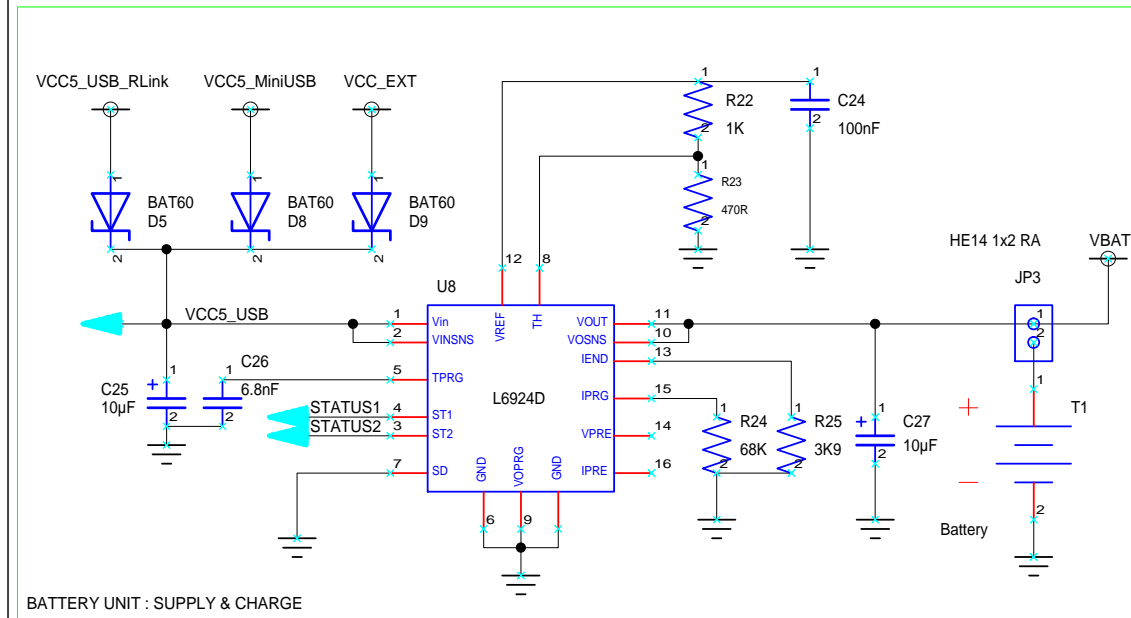


CONTRACT NO.		COMPANY NAME <b>RAISONANCE SAS</b>			
APPROVALS	DATE	DWG <b>STM32F103VET6</b>			
DRAWN	FL	Jun.2008	SIZE	FSCM NO.	DWG NO.
CHECKED	YR	Sept.2008	A		REV. V1.1
ISSUED			SCALE		SHEET 2 of 8

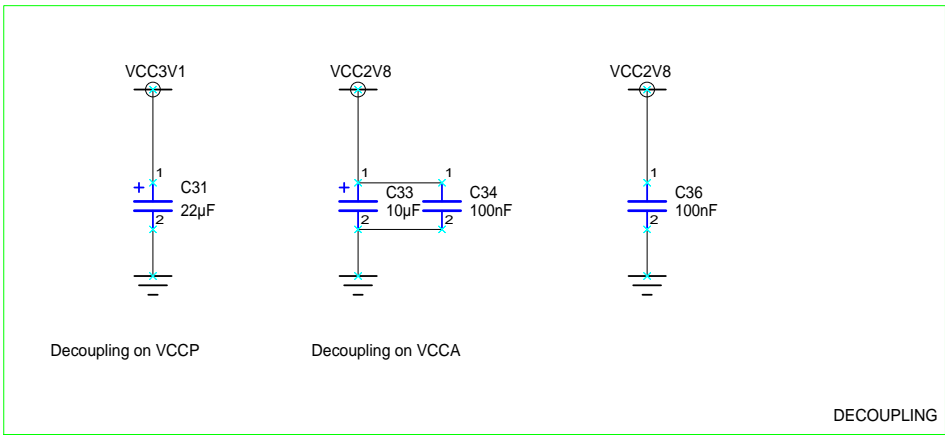
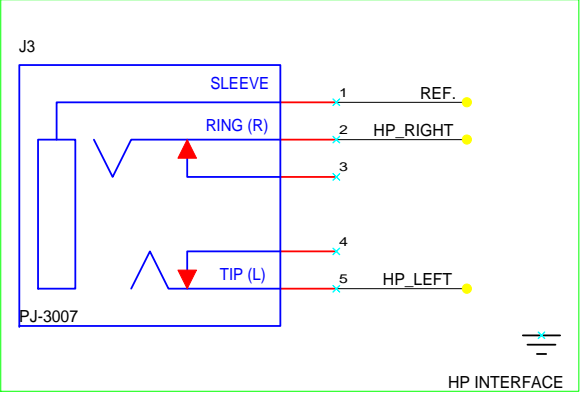
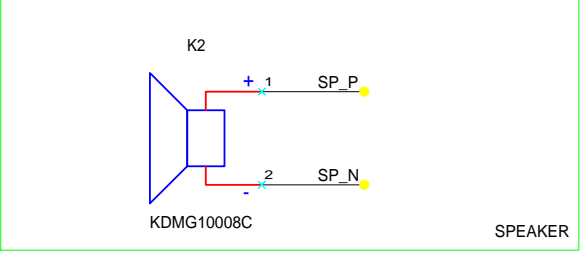
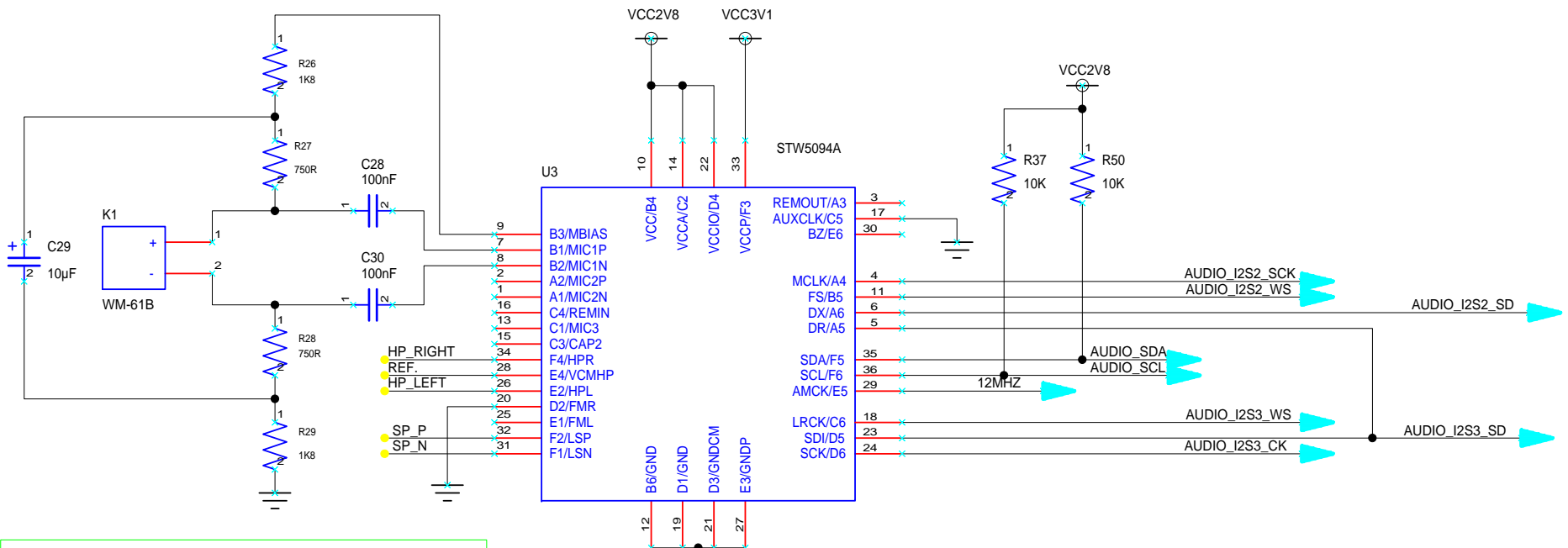


STM32 POWER SUPPLY

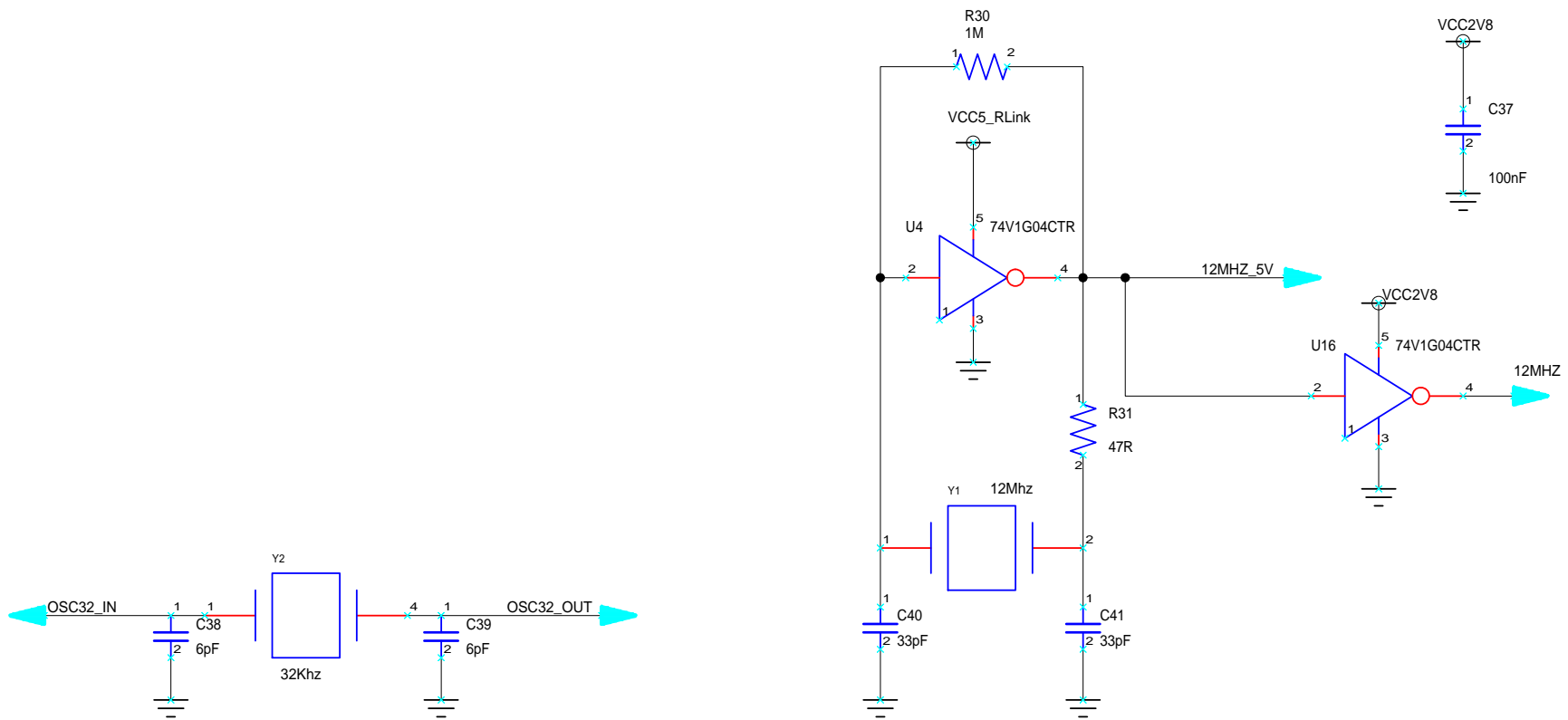


BATTERY UNIT : SUPPLY & CHARGE

CONTRACT NO.		COMPANY NAME <b>RAISONANCE SAS</b>			
APPROVALS	DATE	DWG <b>GENERAL POWER SUPPLY</b>			
DRAWN	FL	Jun.2008	SIZE	FSCM NO.	DWG NO.
CHECKED	YR	Sept.2008	A		REV. V1.1
ISSUED			SCALE		SHEET 3 of 8

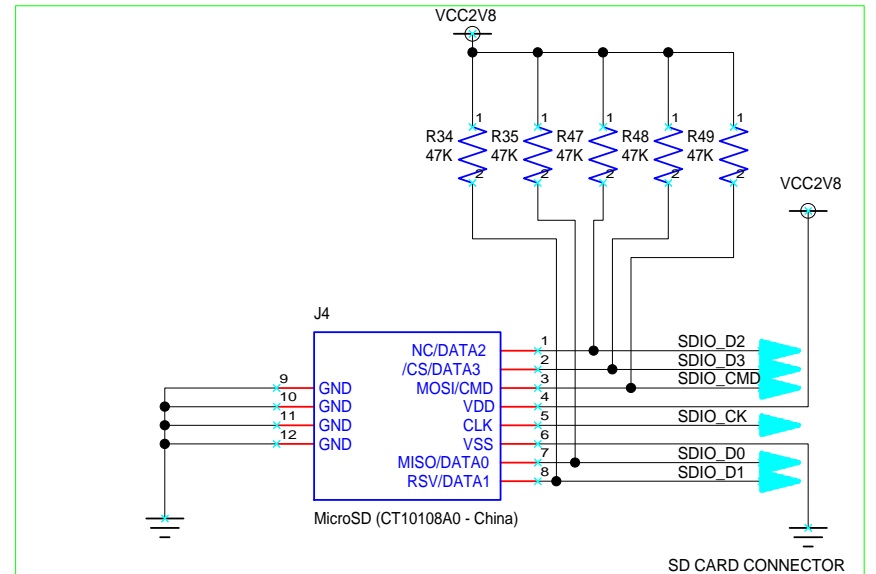
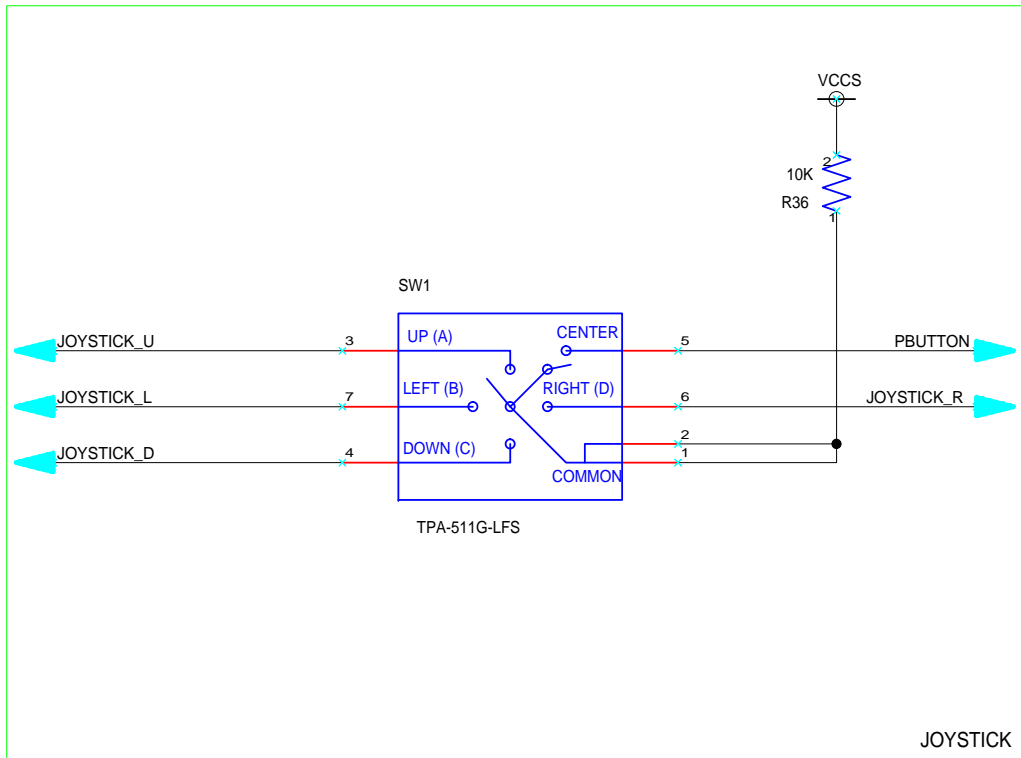
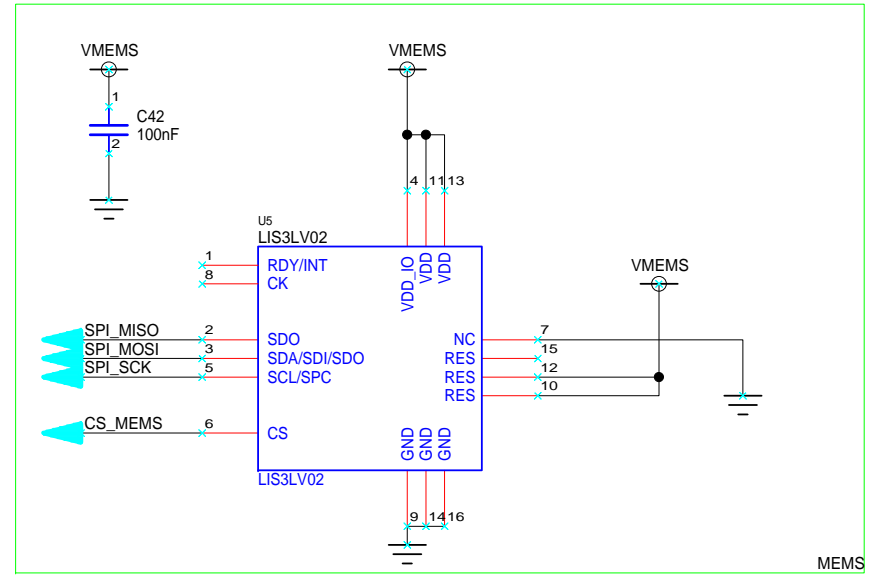
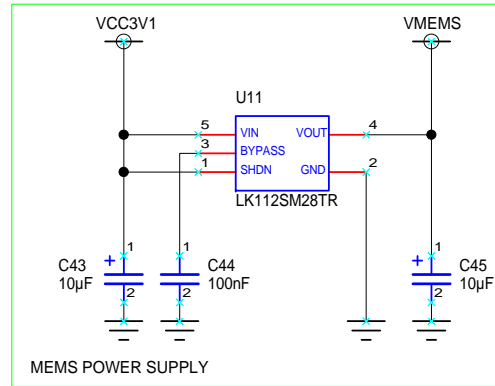
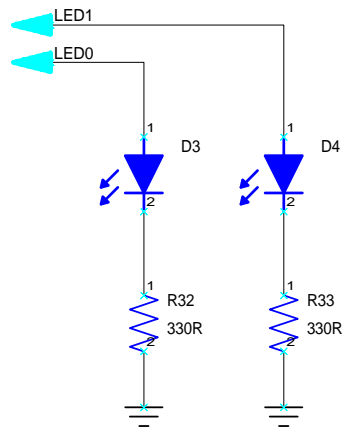


CONTRACT NO.		COMPANY NAME			
		RAISONANCE SAS			
APPROVALS	DATE	DWG			
DRAWN		SIZE	FSCM NO.	DWG NO.	REV.
CHECKED		A			V1.1
ISSUED		SCALE		SHEET	4 of 8

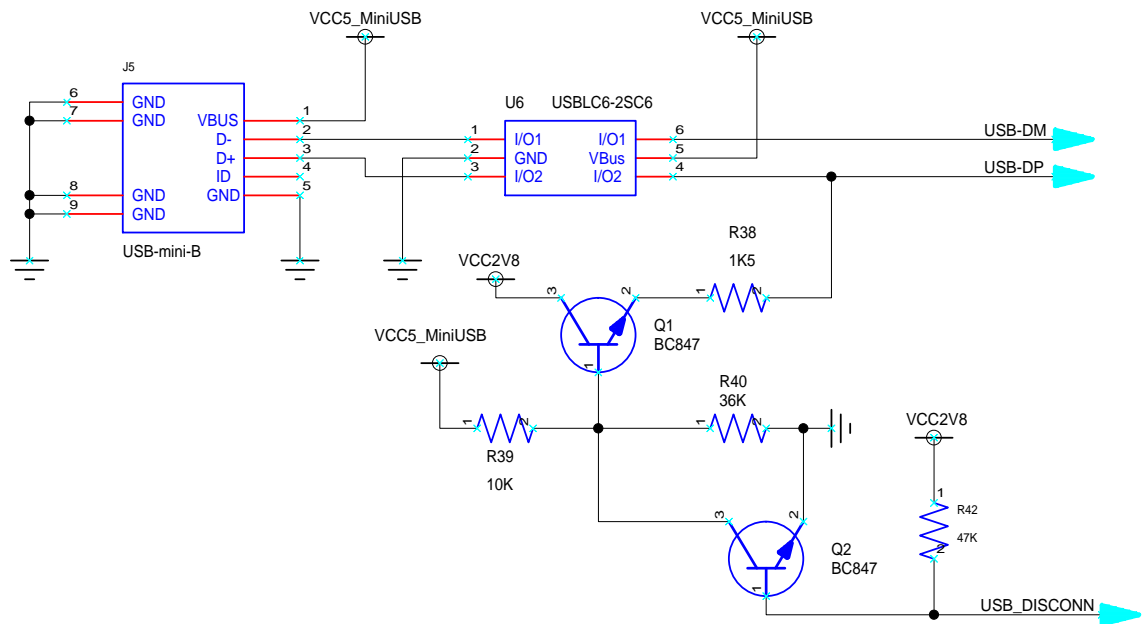


Default capacity value for 32Khz crystal : 6pF  
 Final value will depend on available crystal for manufacturing

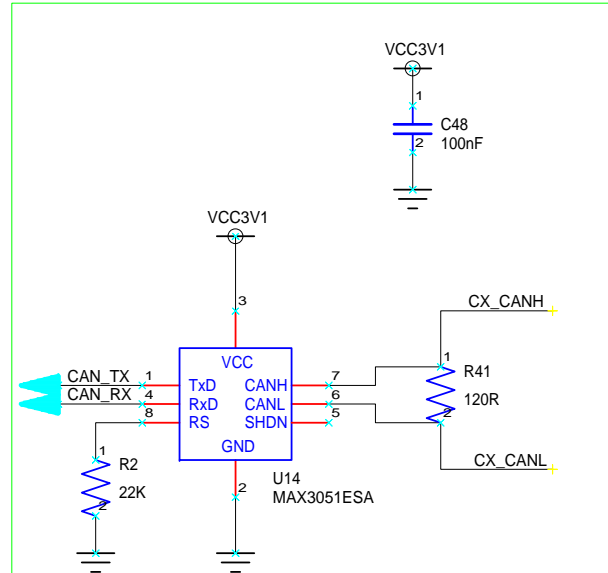
CONTRACT NO.		COMPANY NAME RAISONANCE SAS			
APPROVALS	DATE	DWG CLOCK SOURCE			
DRAWN		SIZE	FSCM NO.	DWG NO.	REV. V1.1
CHECKED		A			
ISSUED		SCALE		SHEET	5 of 8



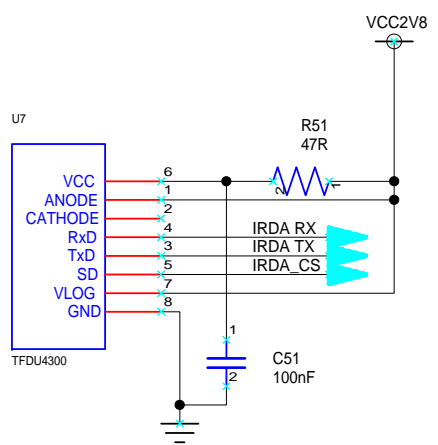
CONTRACT NO.		COMPANY NAME			
		RAISONANCE SAS			
APPROVALS	DATE	DWG			
DRAWN	FL	PERIPHERALS PAGE1: MEMS,JOYSTICK,µSDCARD, LEADS			
CHECKED	YR	SIZE	FSCM NO.	DWG NO.	REV.
ISSUED		A			V1.1
		SCALE			SHEET 6 of 8



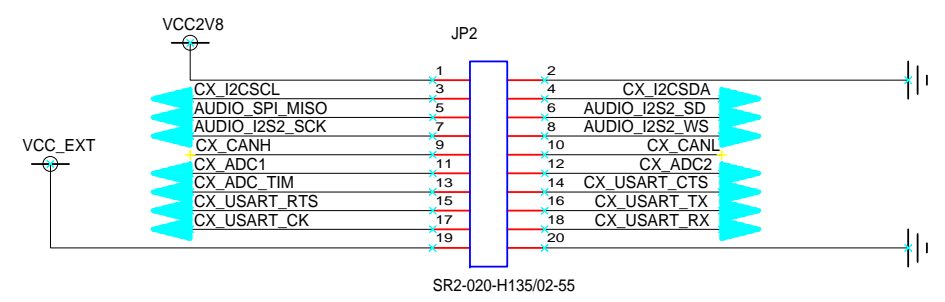
USB + DISCONNECT FEATURE



Transceiver CAN

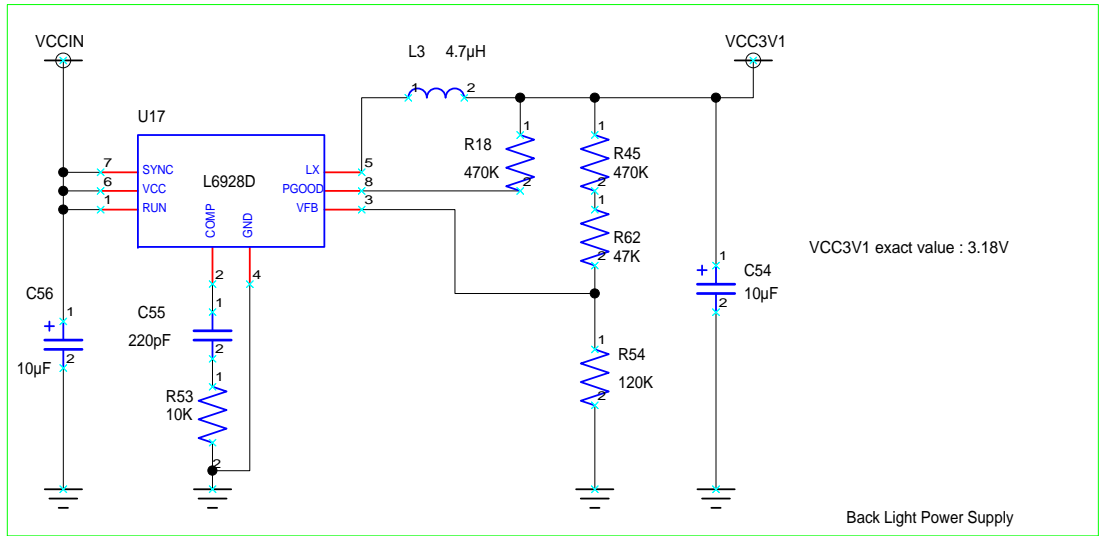
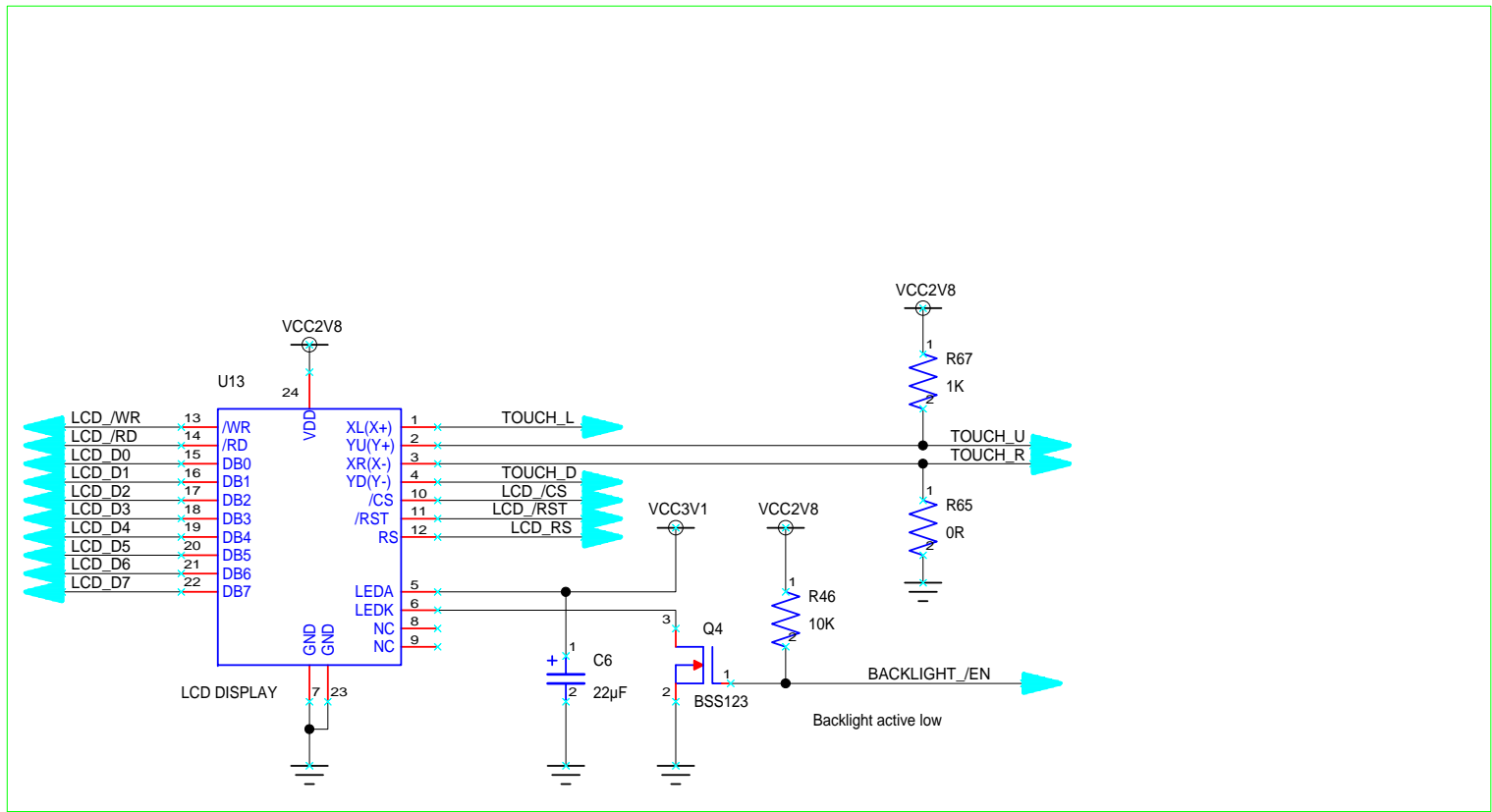


IrDA



EXTENSION CONNECTOR

CONTRACT NO.		COMPANY NAME			
		RAISONANCE SAS			
APPROVALS	DATE	DWG			
DRAWN	FL	PERIPHERALS PAGE 2 : USB, IrDA, Extension			
CHECKED	YR	SIZE	FSCM NO.	DWG NO.	REV.
ISSUED		A			V1.1
		SCALE		SHEET 7 of 8	



CONTRACT NO.		COMPANY NAME RAISONANCE SAS			
APPROVALS	DATE	DWG LCD			
DRAWN	FL	Jun.2008	SIZE A	FSCM NO.	DWG NO.
CHECKED	YR	Sept.2008			REV. V1.1
ISSUED			SCALE		SHEET 8 of 8