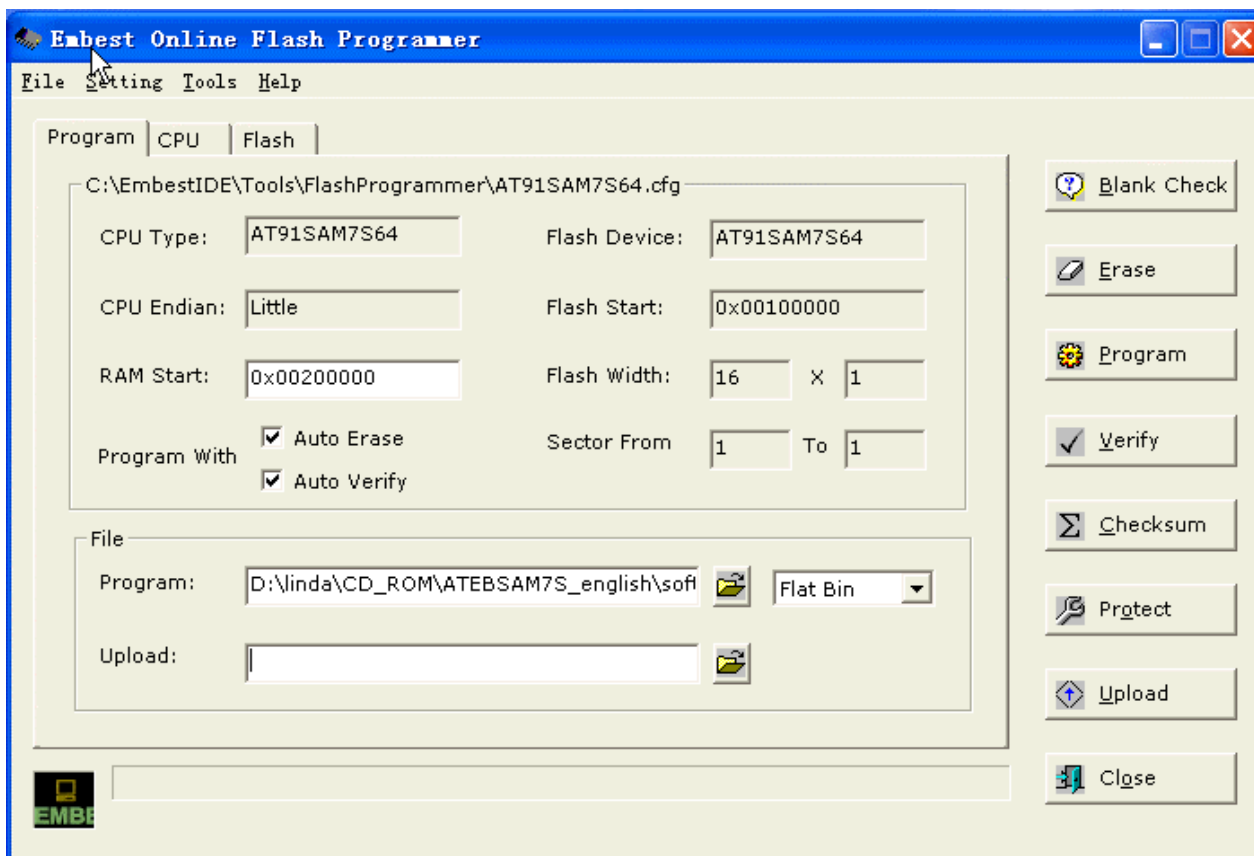


## Embest Flash Programmer

- **A Powerful Programming Tools for Programming On-board Flash Chips**
- **Capable of Downloading Codes to ARM7/9 Target Board via JTAG Port**
- **Support Adding New Flash Chips into the Software Easily by User Self**



Embest Flash Programmer is a powerful tool for downloading codes to ARM7/9 target board via JTAG port. This software is especially suitable for programming surface mounted flash chip. It can be released as a software development tool contained with Embest IDE for ARM package, it also can be released as an individual tool for customers used for programming flash chip. This software must be applied together with ARM emulator made by Embest or a JTAG cable made by yourself. When purchase this tool individually, you should make a JTAG cable by yourself or buy an Embest Jtag emulator (PowerICE or Emulator or UNetICE).

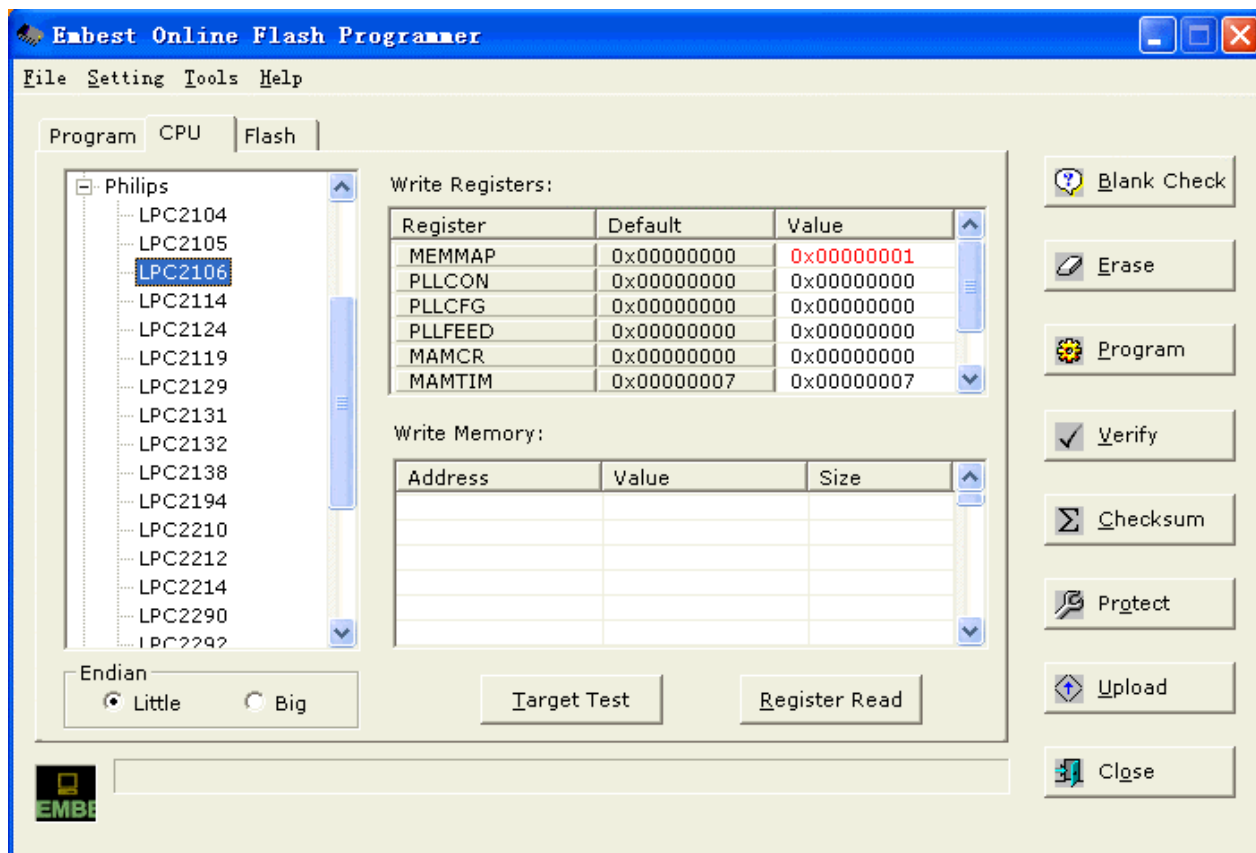
- Supports all ARM7 and ARM9 microcontrollers;
- Supports programming almost all the manufacturers' flash chips. Customer can add new flash chips into the software easily by himself;
- Also supports on-chip flash programming for LPC2000 series, AT91SAM7 series, STR710F series;
- Capable of blank checking, erasing, programming, file verifying, calculating check sum, protection, uploading codes;
- Capable of designated sector operation without influencing other sector;
- Access flash chip data width of 8-bit, 16-bit and 32-bit;
- Capable of 1-chip, 2-chip and 4-chip Flash Programming without splitting codes file.

- Available for Windows98 / NT / 2000 / ME /XP host.

## Programming On-chip Flash for LPC2000 series, AT91SAM7 series, STR710F series

Embest Flash Programmer supports programming on-chip flashes and external flash chips of the LPC2000 families, AT91SAM7 families and STR71x families via JTAG interface.

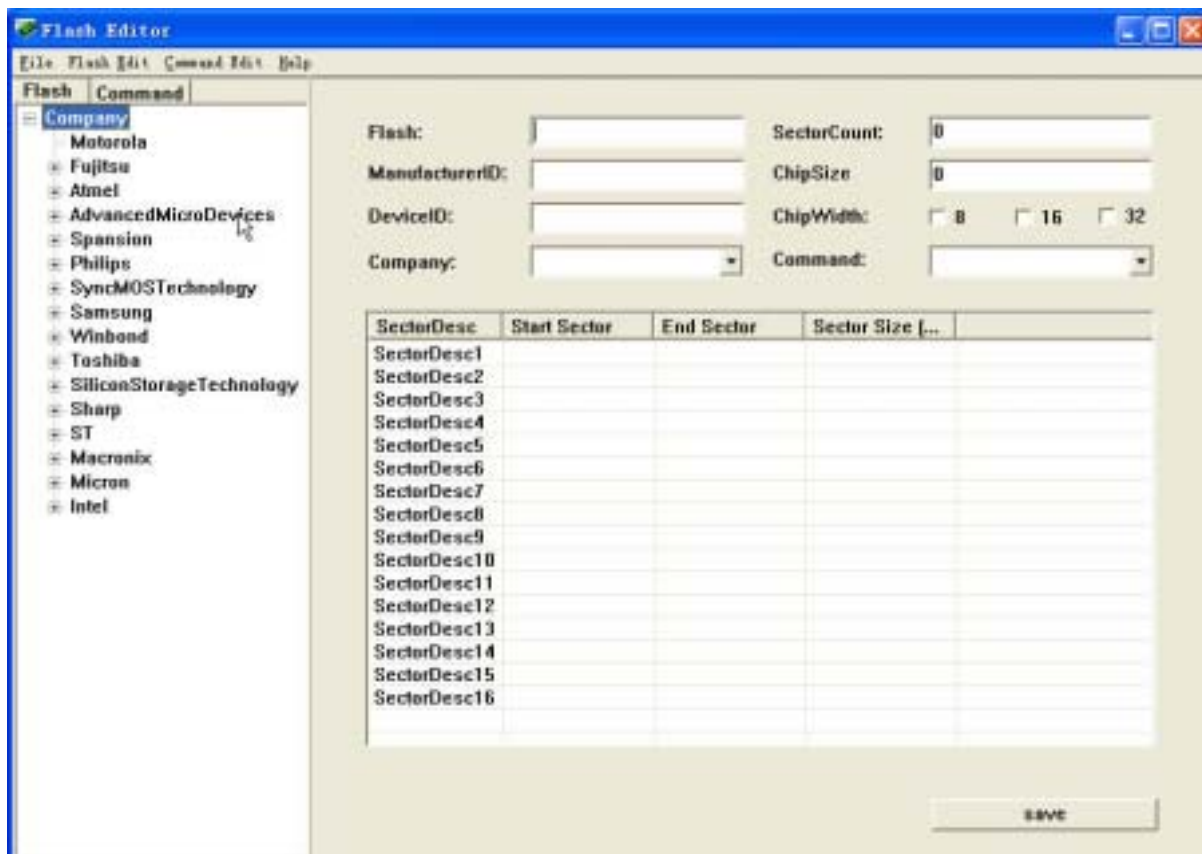
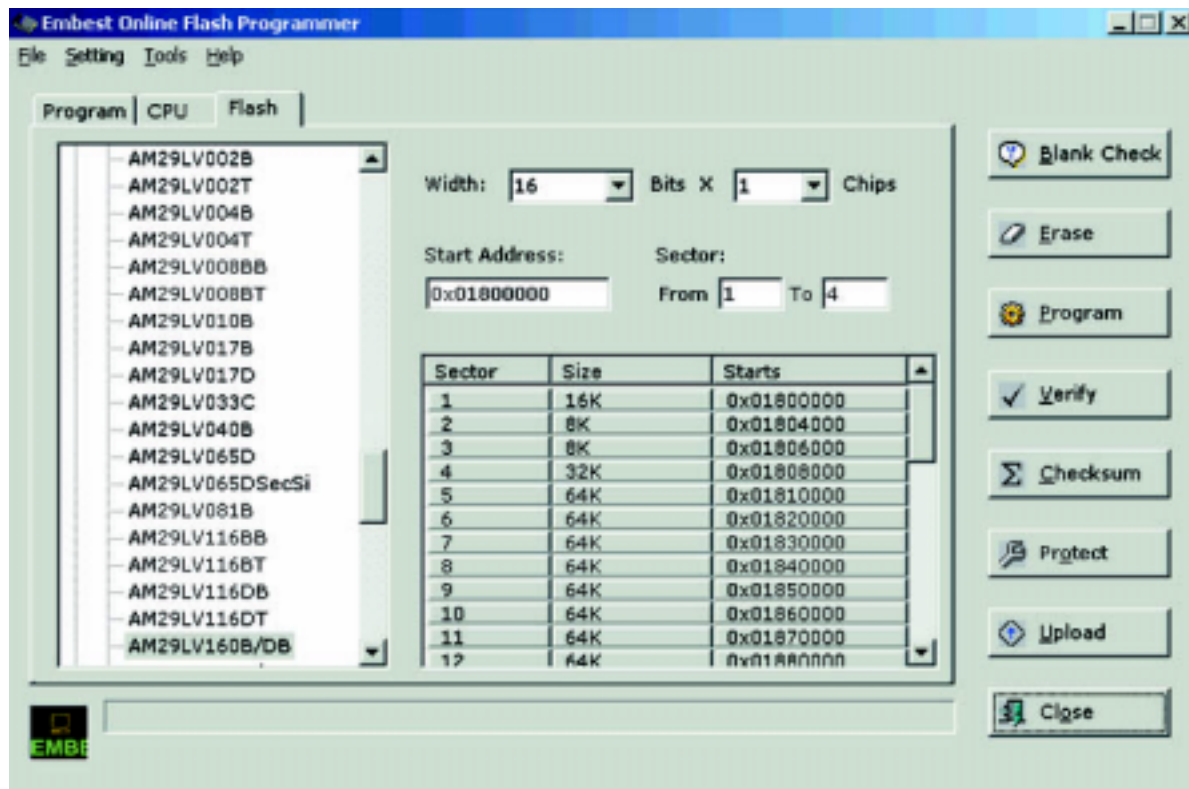
- LPC2000 families include LPC2100 series and LPC2200 series, total 17 microcontrollers till Jan. 2005. Most of these microcontrollers have on-chip flash. Some of these microcontrollers cannot add external flash chip. We summarize it here:  
With on-chip flash: Most of the LPC2000 families except LPC2210 and LPC2290.  
Capable of adding external flash chip: LPC2210, LPC2290, LPC2212, LPC2214, LPC2292, LPC2294.
- AT91SAM families include AT91SAM7AX series and AT91SAM7SXX series; so far have totally 7 microcontroller members. Most of these microcontrollers have on-chip flash. Some of these microcontrollers can not add external flash chip. We summarize it here:  
With on-chip flash: AT91SAM7S32/64/128/256, AT91SAM7A3.  
Capable of adding external flash chip: AT91SAM7A1/A2.
- The STR71x series is a family of microcontrollers with different memory sizes, packages and peripherals. All of these microcontrollers have on-chip flash.



### Support Adding Flash Device By Yourself

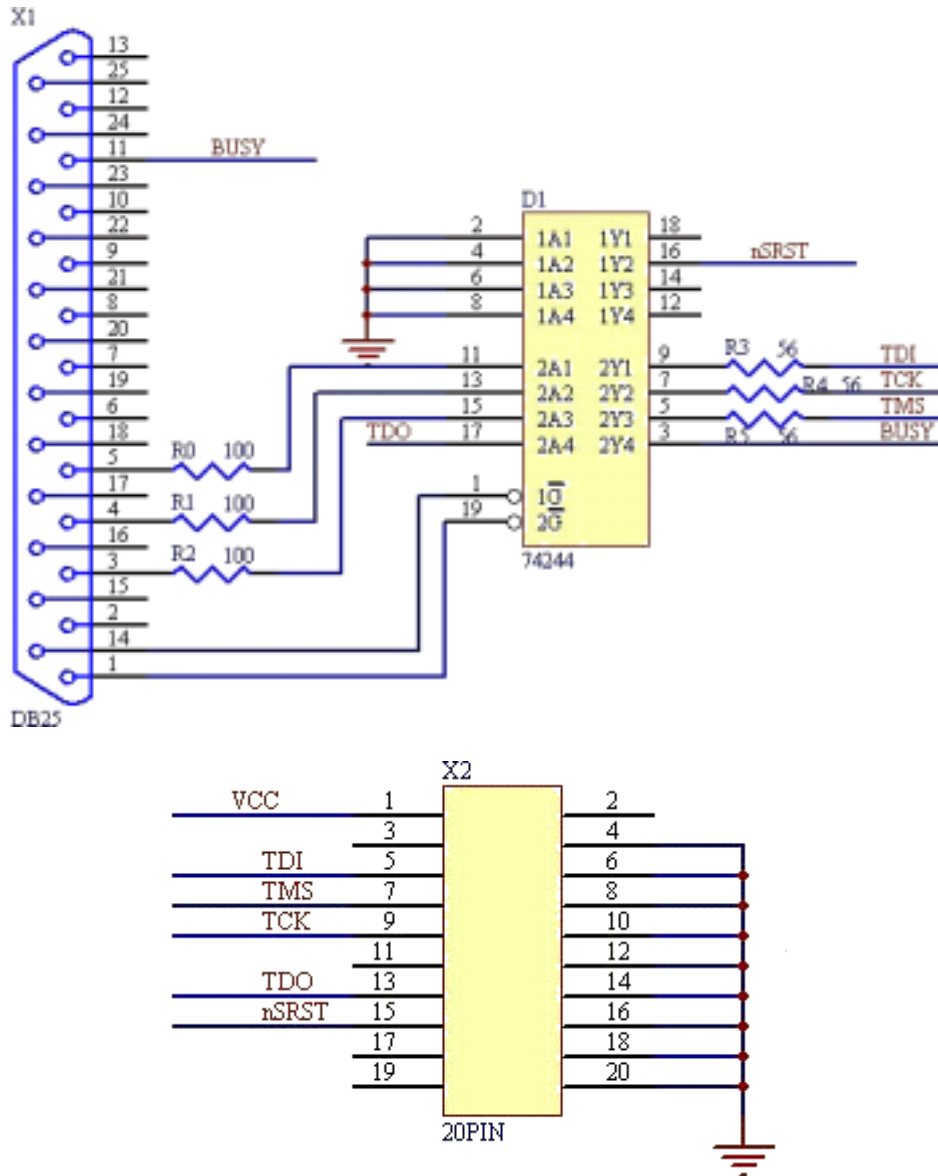
You can get Flash devices list supported by Embest Flash Programmer now on Embest website:  
[http://www.embedinfo.com/english/Product/flashchip\\_supp.asp](http://www.embedinfo.com/english/Product/flashchip_supp.asp)

The software supports users to add new flash chips into the software easily by themselves. User can find in the tools of this software a called “Flash Editor” to define the new flash chip.



## Make Jtag Cable by Yourself (Jtag Cable Schematic)

One end of JTAG Cable is a DB25 header used for connecting the parallel port of computer and the other end is a 20-pin (or 14-pin) IDC header used for connecting the user's circuit board. Fig. 1 and Fig. 2 form a complete JTAG Cable circuit diagram. The diagram only shows 20-pin IDC wiring method.



## Order Information

Order No.	d1
Item	Embest Flash Programmer
Description	Download software from our website, pay for license fee. We will send you license via email after we receive your fund.
Option Tools	Embest IDE for ARM Development Tools Suite I, II, or III includes: <ul style="list-style-type: none"> <li>• IDE, editor, GNU ARM Compiler and Linker, debugger, full registered version</li> <li>• Embest PowerICE or Embest Emulator or Embest UNetICE</li> <li>• Embest Flash Programmer</li> </ul>

### **Embest Info&Tech Co.,LTD.**

Room 509, Luohu Science&Technology Building,  
 #85 Taining Rd., Shenzhen, Guangdong, China 518020  
 Tel: +86-755-25635656  
 Fax: +86-755-25616057  
 Email: [market@embedinfo.com](mailto:market@embedinfo.com)  
<http://www.embedinfo.com>

