

# Fusiv®

## Vx183/IFE-7

### G.Vector Capable Communications Processor Chipset for Multi-mode VDSL2/ADSL2+ Residential Gateways

#### Target Applications

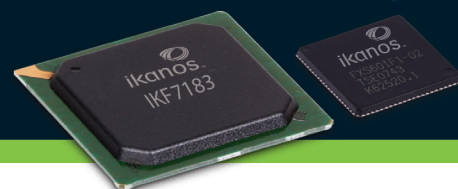
- A/VDSL2 Bridge and Routers
- A/VDSL2 Residential Voice and Wireless Gateways

#### Features

- Wire-speed Packet Processing
- Integrated A/VDSL2 datapump
- Single front end design for ADSL, ADSL2, ADSL2+, and VDSL2 (including 30a)
- Advanced power management
- Integrated dedicated voice processing engine
- Accelerator Processors to offload packet processing
- 2 x GMII/RGMII/MII/RMII
- 2 x PCIe interface for concurrent, dual-band 802.11n (2.4 GHz + 5.0 GHz)
- 2 x USB 2.0 high speed host
- DDR2 controller
- Flexible flash interface – integrated NAND flash controller, parallel flash, and high speed serial flash
- Pin-for-pin compatible with Fusiv Vx185 communications processor device

#### Software

- FusivWare™ advanced Linux-based software
- xDSL gateway drivers
- Full-chain voice processing
- Network device management
- IP middleware



**Ikanos' Fusiv® Vx183 is a next-generation convergence device that leverages the advancements from the previous Fusiv family, while adding critical interfaces to form the foundation for next-generation residential gateways.**

An advanced, multimode A/VDSL2 communication processor, the Vx183 provides leading edge processing power, VoIP, multi-mode DSL and wire-speed performance, while supporting carrier class quality of service (QoS) and VoIP. Ikanos' Vx183 supports all flavors of single line and bonded DSL, including ADSL, ADSL2, ADSL2+, and VDSL2, and further enhances IPTV and triple-play networks by offering features such as retransmission (G.INP), dynamic rate repartitioning (DRR), and seamless rate adaptation (SRA).

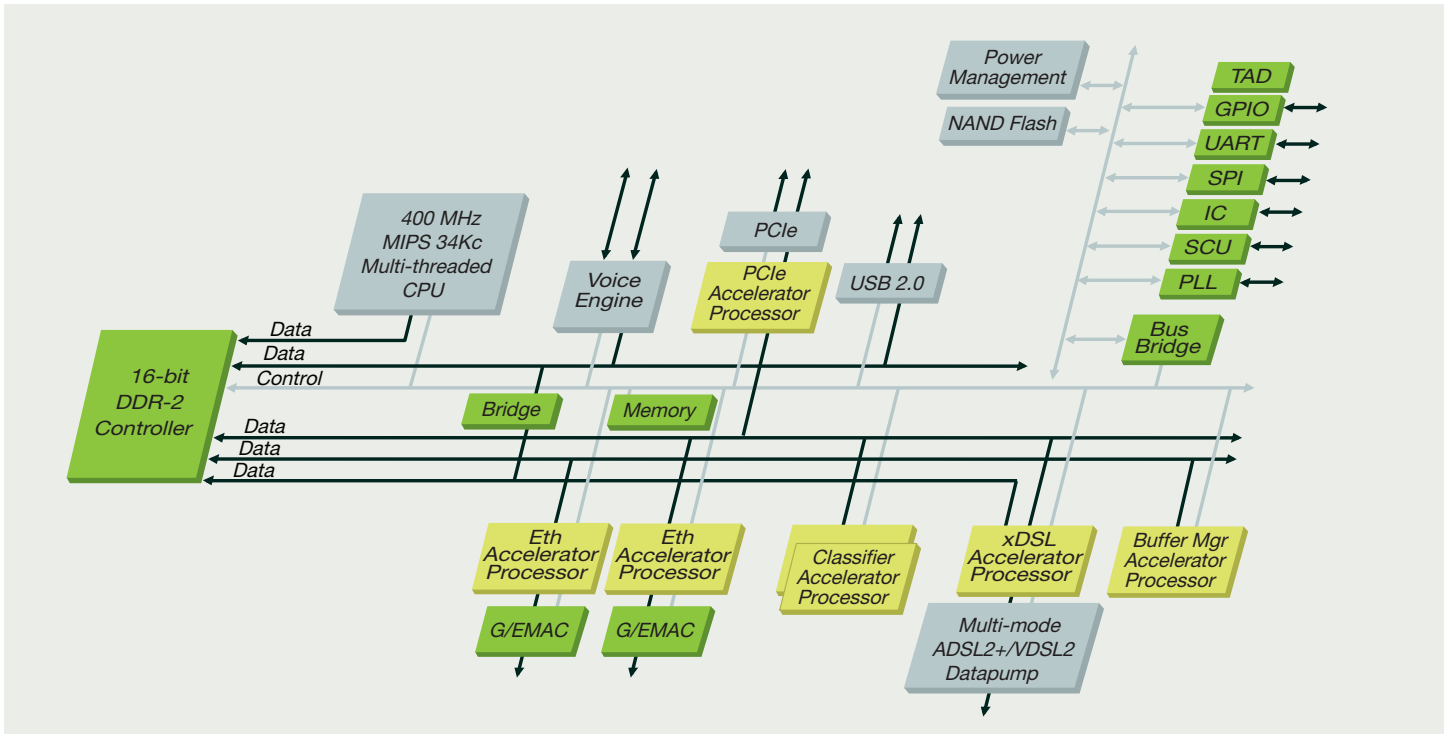
The Vx183 supports a rich set of interfaces that easily integrates with home networking technologies such as Gigabit Ethernet, 802.11n, MoCA™, HomePNA™, HomePlug®, ZigBee, Z-Wave, and G.hn. A SATA interface enables Network Attached Storage (NAS) without compromising performance. Also integrated is a dedicated DSP engine to deliver full-chain deployment-proven VoIP.

By employing industry-standard G.Vector (ITU-T G.993.5), the Vx183 is designed to enable telecommunications service providers to deploy 100 megabit-per-second (Mbps) service over traditional copper lines at 1/10th the cost of fiber. The Vx183 adds to Ikanos' NodeScale Vectoring architecture, which spans the central office, remote cabinets in fiber to the node (FTTN) networks, and now the customer premises.

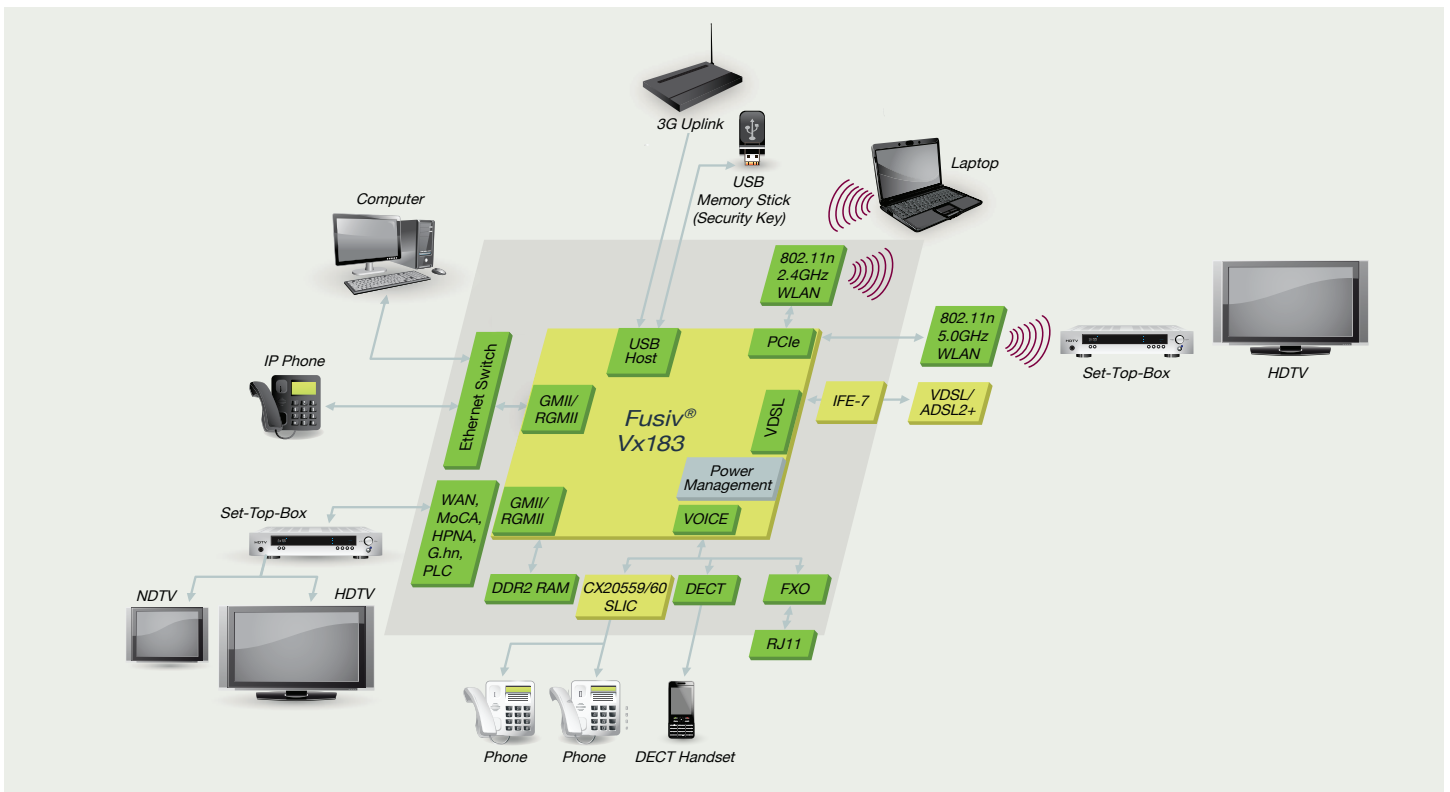
The Vx183 supports maximum interleaver and deinterleaver memory for high levels of impulse noise protection, as well as on-chip QoS, all of which optimize the viewing experience. With additional enhancements like Ikanos Quality Video (iQV™) support, the Vx183 provides the most robust video delivery solution in the market.

Ikanos provides a comprehensive suite of Vx183 software that includes operating system independent drivers for Ethernet, xDSL, and integrated peripherals. FusivWare™, Ikanos' Linux-based software, includes a networking stack, voice processing, and network management functions which enable system vendors to quickly design residential gateways.

## Fusiv Vx183 – System Architecture



## Fusiv Vx183-based Residential Gateway



## Key Features

- Highly integrated Communications Processor leveraging the field-proven Fusiv architecture
- Dedicated voice processing engine (DSP subsystem) capable of handling 4 voice channels
- Enhanced Accelerator Processors running up to 400 MHz for data path processing
  - Accelerator Processors are programmable engines providing flexibility to support new packet handling requirements at wire-speed performance
  - PCI Express Accelerator Processor for WLAN host-based processing offload
- Industry-leading DSL solution providing true xDSL convergence
  - Supports all VDSL2 profiles: 8 MHz through 30 MHz
  - Full industry-standard G.Vector Compliant (ITU-T G.993.5)
  - Supports all ADSL standards and Annexes: ADSL 1/2/2+, Annexes A, B, I, J, M, and L
  - Single Integrated Front End (IFE) design for all ADSL and VDSL modes
  - Meets Broadband Forum performance requirements (TR-67, TR-100, and WT-114)
  - Erasure decoding
- Interfaces:
  - Two GMII/RGMII/MII/RMII
  - Two PCI Express v1.1 lanes
  - One Integrated Front End (IFE) interface
  - Two USB 2.0 HS/FS/LS hosts with UTMI-PHY
  - Two asynchronous serial UART ports
  - Serial peripheral interface (SPI)
  - Two SPORT (TDM) interfaces for the VoIP DSP subsystem connecting to FXS, FXO, or DECT port
- Dynamic power management, enabling support for:
  - European Code of Conduct compliancy through 2011 and beyond
  - Home Gateway Initiative (HGI) energy efficiency requirements
- On-chip DDR2 controller for 16-bit DDR2 up to 400 MHz
- On-chip asynchronous memory controller for asynchronous RAM, FLASH, and external devices
  - NAND controller
  - Serial Flash controller
- 32 kB local buffer and table memory for up to 128 flow rules storage
- Multiple on-chip buses to exploit the full bandwidth of the 400 MHz 16-bit DDR2 memory
- IEEE 1149.1-compliant JTAG interface
- General purpose timers
- Software features:
  - Software drivers such as Linux board support package and voice framework
  - Fast Path API (Application Programming Interface) for increased packet performance
  - Network software for TCP/IP, routing protocols, and network management
  - IP services/QoS software for QoS/bandwidth management and firewall applications
  - DLNA Media server and UPnP
  - VoIP software for voice compression, echo cancellation, CNG, PLC, DTMF detection and generation, call progress tone generation, FSK caller ID generation, country-specific tones, and fax pass through
  - ATM WAN processing module

© 2011 Ikanos Communications, Inc. All Rights Reserved. Ikanos Communications, Ikanos, the Ikanos logo, the "Bandwidth without boundaries" tagline, Fusiv, Fx, FxS, iQV and Ikanos Accelity, Ikanos Capri, Ikanos G.hn, Ikanos ISOS, Ikanos Maxtane, Ikanos Orion, Ikanos Solos, Ikanos Velocity, Ikanos Vulcan, Ikanos ZigBee and Ikanos Z-Wave are among the trademarks or registered trademarks of Ikanos Communications. All other trademarks mentioned herein are properties of their respective holders. This information is protected by copyright and distributed under licenses restricting, without limitation, its use, reproduction, copying, distribution, and de-compilation. No part of this information may be reproduced in any form by any means electronic, mechanical, magnetic, optical, manual, or otherwise, without prior written authorization of an authorized officer of Ikanos Communications, Inc (Ikanos).

### Disclaimer

This information is furnished for informational use only, is subject to change without notice, and should not be construed as a commitment by Ikanos. Ikanos assumes no responsibility or liability for any errors or inaccuracies that may appear in this material. Ikanos makes no representations or warranties with respect to the design and documentation herein described and especially disclaims any implied warranties of merchantability or fitness for any particular purpose. References in this document to an industry or technology standard should not be interpreted as a warranty that the product or feature described complies with all aspects of that standard. In addition, standards compliance and the availability of certain features will vary according to software release version. For further information regarding the standards compliance of a particular software release, and the features included in that release, refer to the release notes for that product.

Ikanos reserves the right to revise the design and associated documentation and to make changes from time to time in the content of this document without obligation of Ikanos to notify any person of such revisions or changes. Use of this document does not convey or imply any license under patent or other rights. Ikanos does not authorize the use of its products in life-support systems where a malfunction or failure may result in injury to the user. A manufacturer that uses Ikanos products in life-support applications assumes all the risks of doing so and indemnifies Ikanos against all charges.

For more information, contact Ikanos.

Ikanos Communications, Inc.  
47669 Fremont Boulevard  
Fremont, California 94538

[www.ikanos.com](http://www.ikanos.com)

P +1 510.979.0400

F +1 510.979.0500

E [sales@ikanos.com](mailto:sales@ikanos.com)

