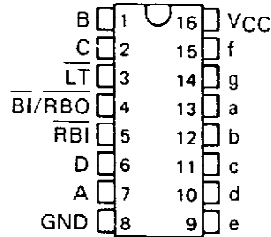


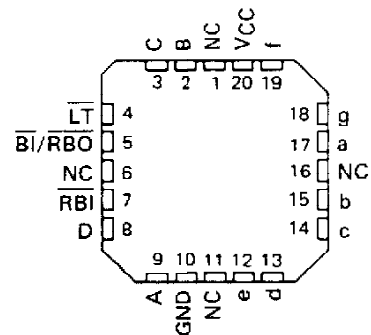
'46A, '47A, 'LS47 feature	'48, 'LS48 feature	'LS49 feature
<ul style="list-style-type: none"> <li>• Open-Collector Outputs Drive Indicators Directly</li> <li>• Lamp-Test Provision</li> <li>• Leading/Trailing Zero Suppression</li> </ul>	<ul style="list-style-type: none"> <li>• Internal Pull-Ups Eliminate Need for External Resistors</li> <li>• Lamp-Test Provision</li> <li>• Leading/Trailing Zero Suppression</li> </ul>	<ul style="list-style-type: none"> <li>• Open-Collector Outputs</li> <li>• Blanking Input</li> </ul>

SN5446A, SN5447A, SN54LS47, SN5448,  
SN54LS48 . . . J PACKAGE  
SN7446A, SN7447A,  
SN7448 . . . N PACKAGE  
SN74LS47, SN74LS48 . . . D OR N PACKAGE

(TOP VIEW)

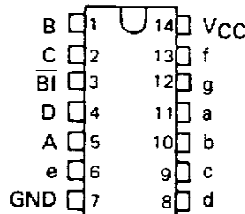


SN54LS47, SN54LS48 . . . FK PACKAGE  
(TOP VIEW)

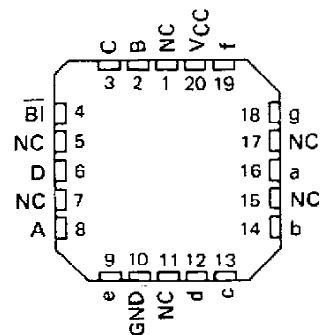


SN54LS49 . . . J OR W PACKAGE  
SN74LS49 . . . D OR N PACKAGE

(TOP VIEW)



SN54LS49 . . . FK PACKAGE  
(TOP VIEW)



NC — No internal connection

PRODUCTION DATA documents contain information current as of publication date. Products conform to specifications per the terms of Texas Instruments standard warranty. Production processing does not necessarily include testing of all parameters.

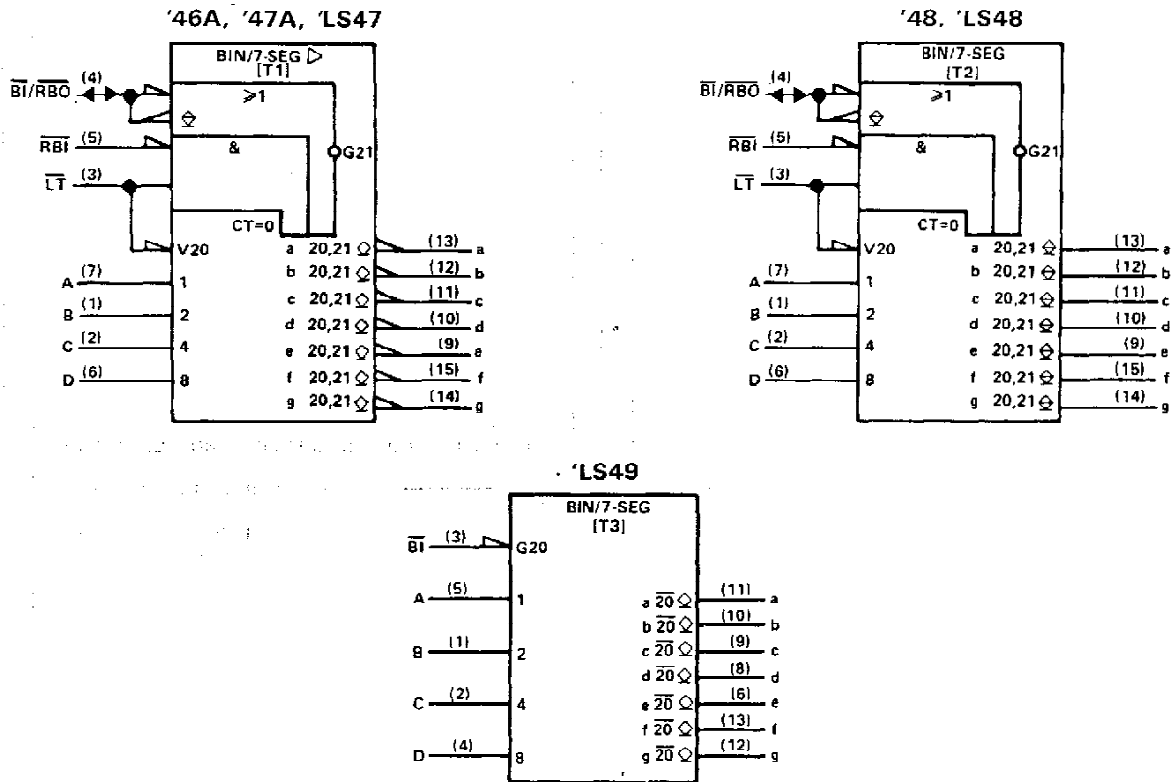


**SN5446A, '47A, '48, SN54LS47, 'LS48, 'LS49,  
SN7446A, '47A, '48, SN74LS47, 'LS48, 'LS49  
BCD-TO-SEVEN-SEGMENT DECODERS/DRIVERS**

- All Circuit Types Feature Lamp Intensity Modulation Capability

TYPE	DRIVER OUTPUTS				TYPICAL POWER DISSIPATION	PACKAGES
	ACTIVE LEVEL	OUTPUT CONFIGURATION	SINK CURRENT	MAX VOLTAGE		
SN5446A	low	open-collector	40 mA	30 V	320 mW	J, W
SN5447A	low	open-collector	40 mA	15 V	320 mW	J, W
SN5448	high	2-k $\Omega$ pull-up	6.4 mA	5.5 V	265 mW	J, W
SN54LS47	low	open-collector	12 mA	15 V	35 mW	J, W
SN54LS48	high	2-k $\Omega$ pull-up	2 mA	5.5 V	125 mW	J, W
SN54LS49	high	open-collector	4 mA	5.5 V	40 mW	J, W
SN7446A	low	open-collector	40 mA	30 V	320 mW	J, N
SN7447A	low	open-collector	40 mA	15 V	320 mW	J, N
SN7448	high	2-k $\Omega$ pull-up	6.4 mA	5.5 V	265 mW	J, N
SN74LS47	low	open-collector	24 mA	15 V	35 mW	J, N
SN74LS48	high	2-k $\Omega$ pull-up	6 mA	5.5 V	125 mW	J, N
SN74LS49	high	open-collector	8 mA	5.5 V	40 mW	J, N

logic symbols†



†These symbols are in accordance with ANSI/IEEE Std 91-1984 and IEC Publication 617-12. Pin numbers shown are for D, J, N, and W packages.



POST OFFICE BOX 655012 • DALLAS, TEXAS 75265

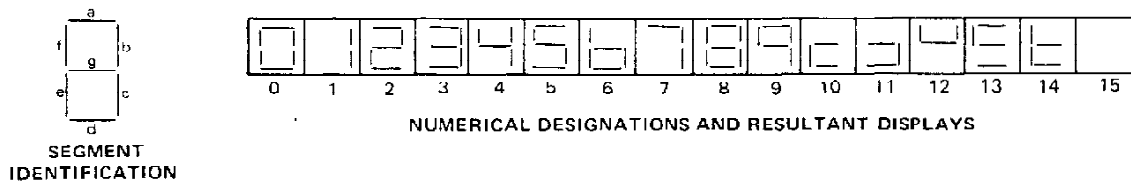
# SN5446A, '47A, '48, SN54LS47, 'LS48, 'LS49, SN7446A, '47A, '48, SN74LS47, 'LS48, 'LS49 BCD-TO-SEVEN-SEGMENT DECODERS/DRIVERS

## description

The '46A, '47A, and 'LS47 feature active-low outputs designed for driving common-anode LEDs or incandescent indicators directly. The '48, 'LS48, and 'LS49 feature active-high outputs for driving lamp buffers or common-cathode LEDs. All of the circuits except 'LS49 have full ripple-blanking input/output controls and a lamp test input. The 'LS49 circuit incorporates a direct blanking input. Segment identification and resultant displays are shown below. Display patterns for BCD input counts above 9 are unique symbols to authenticate input conditions.

The '46A, '47A, '48, 'LS47, and 'LS48 circuits incorporate automatic leading and/or trailing-edge zero-blanking control ( $\overline{RBI}$  and  $\overline{RBO}$ ). Lamp test ( $\overline{LT}$ ) of these types may be performed at any time when the  $\overline{BI}/\overline{RBO}$  node is at a high level. All types (including the '49 and 'LS49) contain an overriding blanking input ( $\overline{BI}$ ), which can be used to control the lamp intensity by pulsing or to inhibit the outputs. Inputs and outputs are entirely compatible for use with TTL logic outputs.

The SN54246/SN74246 and '247 and the SN54LS247/SN74LS247 and 'LS248 compose the  $\overline{5}$  and the  $\overline{9}$  with tails and were designed to offer the designer a choice between two indicator fonts.



'46A, '47A, 'LS47 FUNCTION TABLE (T1)

DECIMAL OR FUNCTION	INPUTS						$\overline{BI}/\overline{RBO}^\dagger$	OUTPUTS							NOTE
	$\overline{LT}$	$\overline{RBI}$	D	C	B	A		a	b	c	d	e	f	g	
0	H	H	L	L	L	L	H	ON	ON	ON	ON	ON	ON	OFF	
1	H	X	L	L	L	H	H	OFF	ON	ON	OFF	OFF	OFF	OFF	
2	H	X	L	L	H	L	H	ON	ON	OFF	ON	ON	OFF	ON	
3	H	X	L	L	H	H	H	ON	ON	ON	ON	OFF	OFF	ON	
4	H	X	L	H	L	L	H	OFF	ON	ON	OFF	OFF	ON	ON	
5	H	X	L	H	L	H	H	ON	OFF	ON	ON	OFF	ON	ON	
6	H	X	L	H	H	L	H	OFF	OFF	ON	ON	ON	ON	ON	
7	H	X	L	H	H	H	H	ON	ON	ON	OFF	OFF	OFF	OFF	
8	H	X	H	L	L	L	H	ON	ON	ON	ON	ON	ON	ON	
9	H	X	H	L	L	H	H	ON	ON	ON	OFF	OFF	ON	ON	
10	H	X	H	L	H	L	H	OFF	OFF	OFF	ON	ON	OFF	ON	
11	H	X	H	L	H	H	H	OFF	OFF	ON	ON	OFF	OFF	ON	
12	H	X	H	H	L	L	H	OFF	ON	OFF	OFF	OFF	ON	ON	
13	H	X	H	H	L	H	H	ON	OFF	OFF	ON	OFF	ON	ON	
14	H	X	H	H	H	L	H	OFF	OFF	OFF	ON	ON	ON	ON	
15	H	X	H	H	H	H	H	OFF	OFF	OFF	OFF	OFF	OFF	OFF	
$\overline{BI}$	X	X	X	X	X	X	L	OFF	OFF	OFF	OFF	OFF	OFF	OFF	2
$\overline{RBI}$	H	L	L	L	L	L	L	OFF	OFF	OFF	OFF	OFF	OFF	OFF	3
$\overline{LT}$	L	X	X	X	X	X	H	ON	ON	ON	ON	ON	ON	ON	4

H = high level, L = low level, X = irrelevant

- NOTES:
1. The blanking input ( $\overline{BI}$ ) must be open or held at a high logic level when output functions 0 through 15 are desired. The ripple-blanking input ( $\overline{RBI}$ ) must be open or high if blanking of a decimal zero is not desired.
  2. When a low logic level is applied directly to the blanking input ( $\overline{BI}$ ), all segment outputs are off regardless of the level of any other input.
  3. When ripple-blanking input ( $\overline{RBI}$ ) and inputs A, B, C, and D are at a low level with the lamp test input high, all segment outputs go off and the ripple blanking output ( $\overline{RBO}$ ) goes to a low level (response condition).
  4. When the blanking input/ripple blanking output ( $\overline{BI}/\overline{RBO}$ ) is open or held high and a low is applied to the lamp-test input, all segment outputs are on.

$^\dagger \overline{BI}/\overline{RBO}$  is wire AND logic serving as blanking input ( $\overline{BI}$ ) and/or ripple-blanking output ( $\overline{RBO}$ ).

TEXAS  
INSTRUMENTS

POST OFFICE BOX 655012 • DALLAS, TEXAS 75265

**SN5446A, '47A, '48, SN54LS47, 'LS48, 'LS49,  
SN7446A, '47A, '48, SN74LS47, 'LS48, 'LS49  
BCD-TO-SEVEN-SEGMENT DECODERS/DRIVERS**

**'48, 'LS48  
FUNCTION TABLE (T2)**

DECIMAL OR FUNCTION	INPUTS					$\overline{\text{BI}}/\overline{\text{RBO}}^\dagger$	OUTPUTS							NOTE
	$\overline{\text{LT}}$	$\overline{\text{RBI}}$	D	C	B		A	a	b	c	d	e	f	
0	H	H	L	L	L	L	H	H	H	H	H	H	L	1
1	H	X	L	L	L	H	H	L	H	H	L	L	L	
2	H	X	L	L	H	L	H	H	L	H	H	L	H	
3	H	X	L	L	H	H	H	H	H	H	L	L	H	
4	H	X	L	H	L	L	H	L	H	H	L	L	H	
5	H	X	L	H	L	H	H	H	L	H	L	H	H	
6	H	X	L	H	H	L	H	L	L	H	H	H	H	
7	H	X	L	H	H	H	H	H	H	H	L	L	L	
8	H	X	H	L	L	L	H	H	H	H	H	H	H	
9	H	X	H	L	L	H	H	H	H	L	L	H	H	
10	H	X	H	L	H	L	H	L	L	L	H	H	L	
11	H	X	H	L	H	H	H	L	L	H	H	L	L	
12	H	X	H	H	L	L	H	L	H	L	L	L	H	
13	H	X	H	H	L	H	H	L	L	L	H	L	H	
14	H	X	H	H	H	L	H	L	L	L	H	H	H	
15	H	X	H	H	H	H	H	L	L	L	L	L	L	
BI	X	X	X	X	X	X	L	L	L	L	L	L	L	2
RBI	H	L	L	L	L	L	L	L	L	L	L	L	L	3
LT	L	X	X	X	X	X	H	H	H	H	H	H	H	4

H = high level, L = low level, X = irrelevant

- NOTES: 1. The blanking input ( $\overline{\text{BI}}$ ) must be open or held at a high logic level when output functions 0 through 15 are desired. The ripple-blanking input ( $\overline{\text{RBI}}$ ) must be open or high, if blanking of a decimal zero is not desired.
2. When a low logic level is applied directly to the blanking input ( $\overline{\text{BI}}$ ), all segment outputs are low regardless of the level of any other input.
3. When ripple-blanking input ( $\overline{\text{RBI}}$ ) and inputs A, B, C, and D are at a low level with the lamp-test input high, all segment outputs go low and the ripple-blanking output ( $\overline{\text{RBO}}$ ) goes to a low level (response condition).
4. When the blanking input/ripple-blanking output ( $\overline{\text{BI}}/\overline{\text{RBO}}$ ) is open or held high and a low is applied to the lamp-test input, all segment outputs are high.

$^\dagger \overline{\text{BI}}/\overline{\text{RBO}}$  is wire-AND logic serving as blanking input ( $\overline{\text{BI}}$ ) and/or ripple-blanking output ( $\overline{\text{RBO}}$ ).

**'LS49  
FUNCTION TABLE (T3)**

DECIMAL OR FUNCTION	INPUTS					NOTE						
	D	C	B	A	$\overline{\text{BI}}$							
0	L	L	L	L	H	H	H	H	H	H	L	1
1	L	L	L	H	H	L	H	H	L	L	L	
2	L	L	H	L	H	H	H	L	H	H	L	
3	L	L	H	H	H	H	H	H	H	L	L	
4	L	H	L	L	H	L	H	H	L	L	H	
5	L	H	L	H	H	H	L	H	H	L	H	
6	L	H	H	L	H	L	L	H	H	H	H	
7	L	H	H	H	H	H	H	H	L	L	L	
8	H	L	L	L	H	H	H	H	H	H	H	
9	H	L	L	H	H	H	H	H	L	L	H	
10	H	L	H	L	H	L	L	L	H	H	L	
11	H	L	H	H	H	L	L	H	H	L	L	
12	H	H	L	L	H	L	H	L	L	L	H	
13	H	H	L	H	H	H	L	L	L	H	H	
14	H	H	H	L	H	L	L	L	H	H	H	
15	H	H	H	H	H	L	L	L	L	L	L	
BI	X	X	X	X	L	L	L	L	L	L	L	2

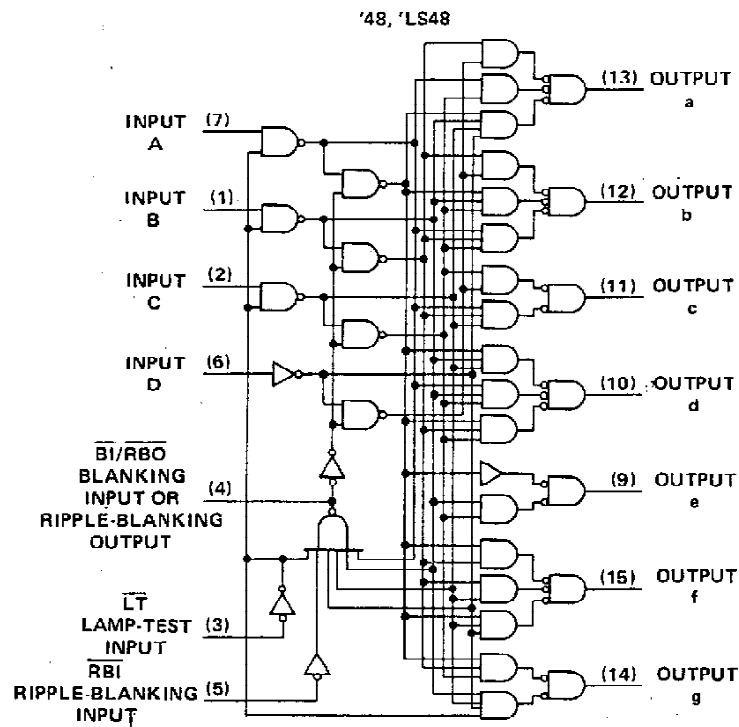
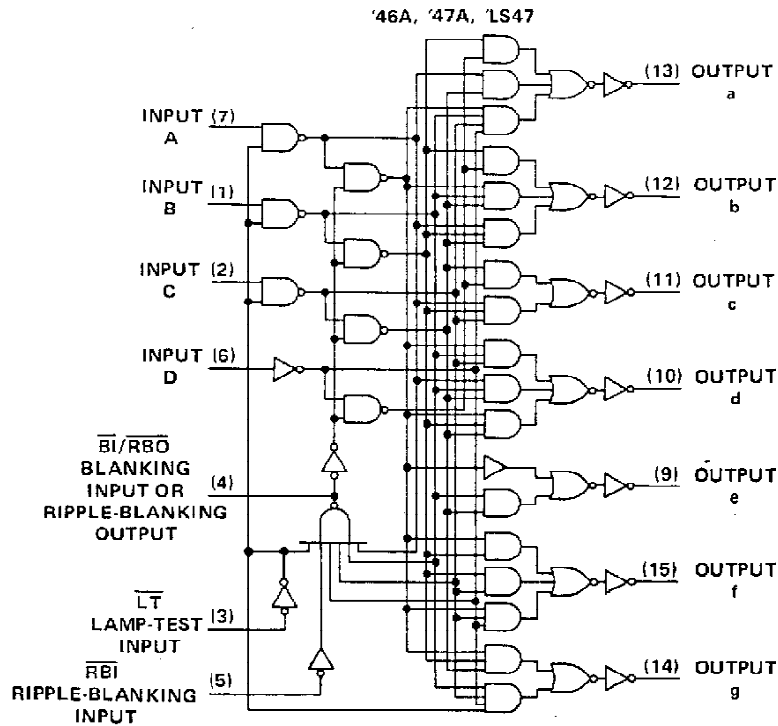
H = high level, L = low level, X = irrelevant

- NOTES: 1. The blanking input ( $\overline{\text{BI}}$ ) must be open or held at a high logic level when output functions 0 through 15 are desired.
2. When a low logic level is applied directly to the blanking input ( $\overline{\text{BI}}$ ), all segment outputs are low regardless of the level of any other input.



SN5446A, '47A, '48, SN54LS47, 'LS48,  
SN7446A, '47A, '48, SN74LS47, 'LS48  
BCD-TO-SEVEN-SEGMENT DECODERS/DRIVERS

logic diagrams (positive logic)



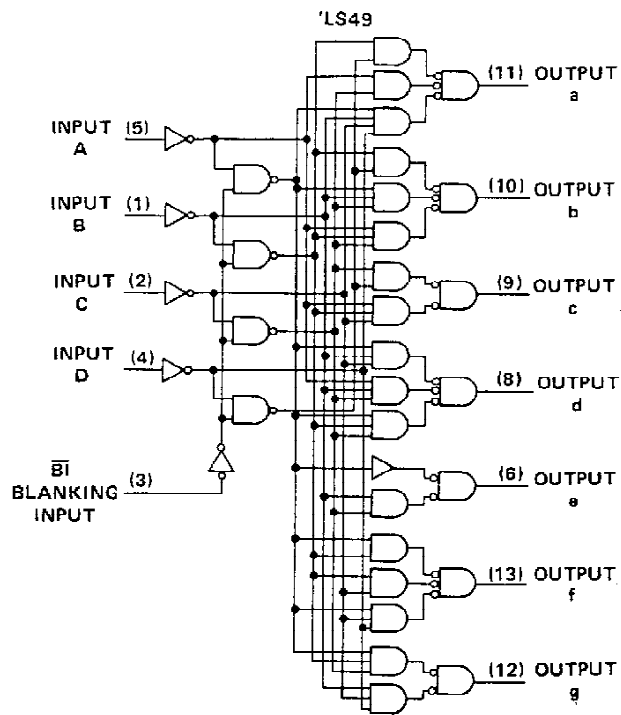
Pin numbers shown are for D, J, N, and W packages.

TEXAS  
INSTRUMENTS

POST OFFICE BOX 655012 • DALLAS, TEXAS 75265

# SN54LS49, SN74LS49 BCD-TO-SEVEN-SEGMENT DECODERS/DRIVERS

logic diagrams (continued)



Pin numbers shown are for D, J, N, and W packages.

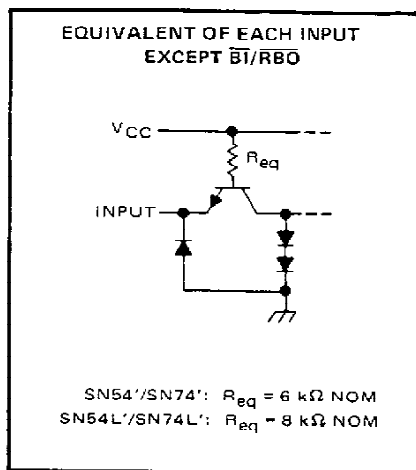


POST OFFICE BOX 655012 • DALLAS, TEXAS 75265

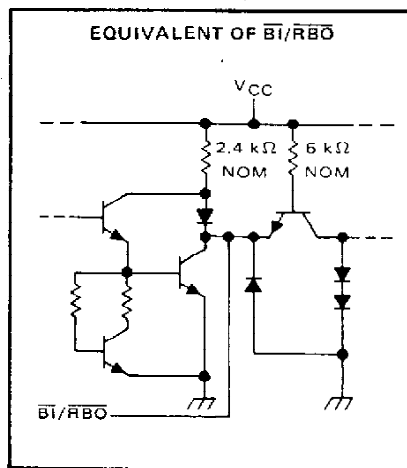
SN5446A, '47A, '48,  
SN7446A, '47A, '48  
BCD-TO-SEVEN-SEGMENT DECODERS/DRIVERS

schematics of inputs and outputs

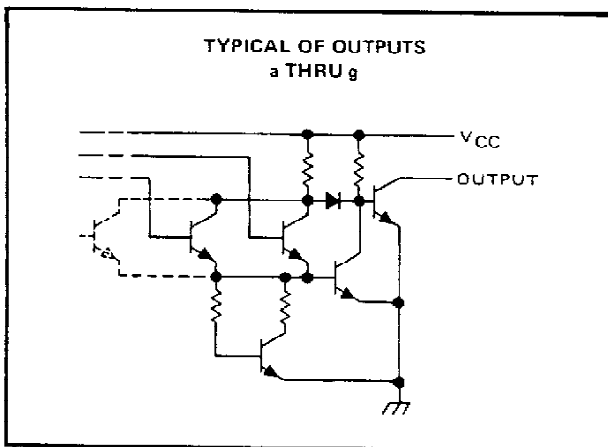
'46A, '47A, '48



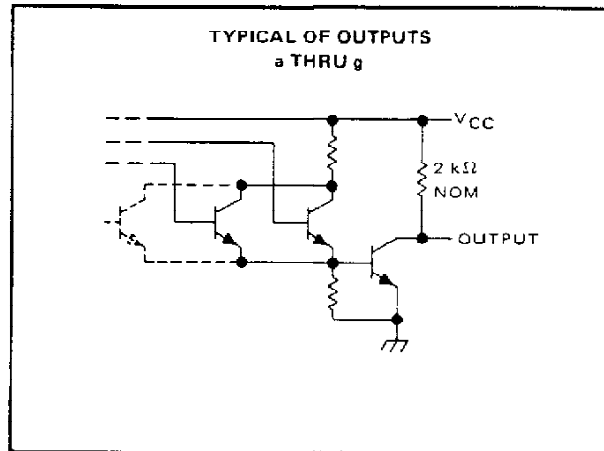
'46A, '47A, '48



'46A, '47A



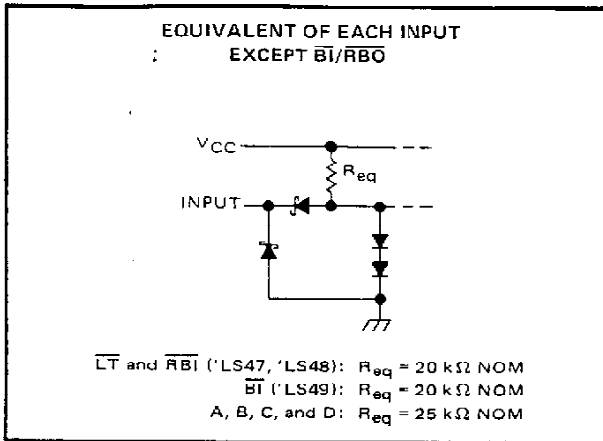
'48



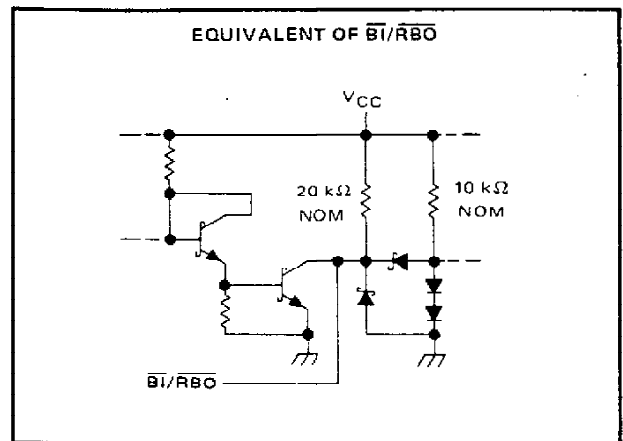
# SN54LS47, 'LS48, 'LS49, SN74LS47, 'LS48, 'LS49 BCD-TO-SEVEN-SEGMENT DECODERS/DRIVERS

## schematics of inputs and outputs

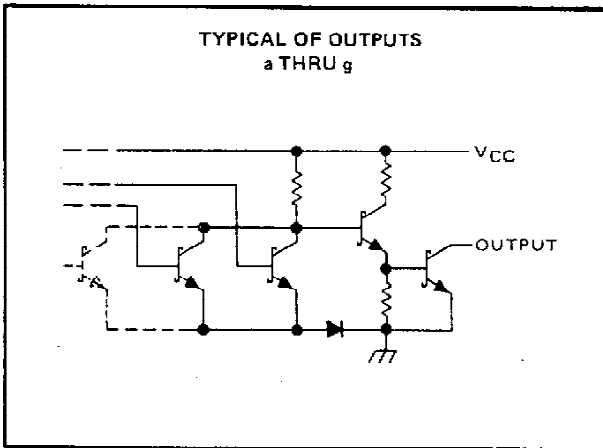
'LS47, 'LS48, 'LS49



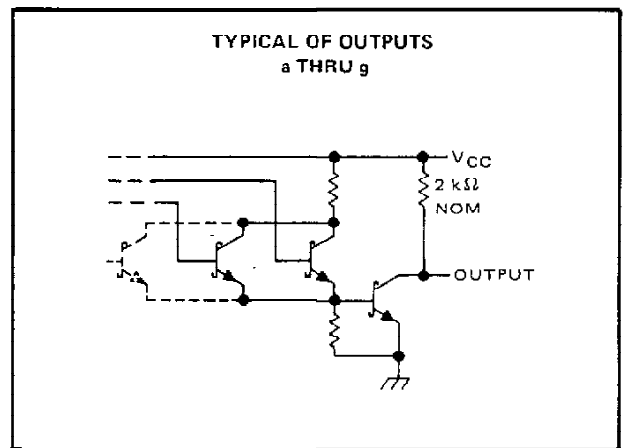
'LS47, 'LS48, 'LS49



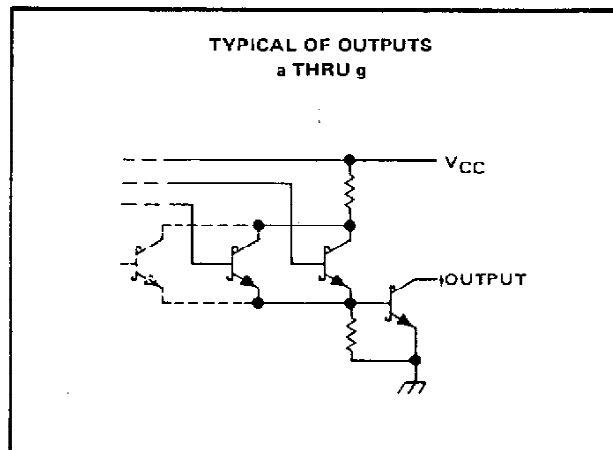
'LS47



'LS48



'LS49



TEXAS  
INSTRUMENTS

POST OFFICE BOX 655012 • DALLAS, TEXAS 75265



# SN5446A, SN5447A, SN7446A, SN7447A BCD-TO-SEVEN-SEGMENT DECODERS/DRIVERS

absolute maximum ratings over operating free-air temperature range (unless otherwise noted)

Supply voltage, $V_{CC}$ (see Note 1)	7 V
Input voltage	5.5 V
Current forced into any output in the off state	1 mA
Operating free-air temperature range: SN5446A, SN5447A	-55°C to 125°C
SN7446A, SN7447A	0°C to 70°C
Storage temperature range	-65°C to 150°C

NOTE 1: Voltage values are with respect to network ground terminal.

recommended operating conditions

	SN5446A			SN5447A			SN7446A			SN7447A			UNIT		
	MIN	NOM	MAX	MIN	NOM	MAX	MIN	NOM	MAX	MIN	NOM	MAX			
Supply voltage, $V_{CC}$	4.5	5	5.5	4.5	5	5.5	4.75	5	5.25	4.75	5	5.25	V		
Off-state output voltage, $V_{O(off)}$	a thru g			30			15			30			15	V	
On-state output current, $I_{O(on)}$	a thru g			40			40			40			40	mA	
High-level output current, $I_{OH}$	$\overline{BI}/\overline{RBO}$			-200			-200			-200			-200	$\mu$ A	
Low-level output current, $I_{OL}$	$\overline{BI}/\overline{RBO}$			8			8			8			8	mA	
Operating free-air temperature, $T_A$	-55			125			-55			125			0	70	°C

electrical characteristics over recommended operating free-air temperature range (unless otherwise noted)

PARAMETER		TEST CONDITIONS†	MIN	TYP‡	MAX	UNIT
$V_{IH}$	High-level input voltage		2			V
$V_{IL}$	Low-level input voltage				0.8	V
$V_{IK}$	Input clamp voltage	$V_{CC} = \text{MIN.}$ , $I_I = -12 \text{ mA}$			-1.5	V
$V_{OH}$	High-level output voltage	$\overline{BI}/\overline{RBO}$ $V_{CC} = \text{MIN.}$ , $V_{IH} = 2 \text{ V}$ , $V_{IL} = 0.8 \text{ V}$ , $I_{OH} = -200 \mu\text{A}$	2.4	3.7		V
$V_{OL}$	Low-level output voltage	$\overline{BI}/\overline{RBO}$ $V_{CC} = \text{MIN.}$ , $V_{IH} = 2 \text{ V}$ , $V_{IL} = 0.8 \text{ V}$ , $I_{OL} = 8 \text{ mA}$	0.27	0.4		V
$I_{O(off)}$	Off-state output current	a thru g $V_{CC} = \text{MAX.}$ , $V_{IH} = 2 \text{ V}$ , $V_{IL} = 0.8 \text{ V}$ , $V_{O(off)} = \text{MAX}$			250	$\mu$ A
$V_{O(on)}$	On-state output voltage	a thru g $V_{CC} = \text{MIN.}$ , $V_{IH} = 2 \text{ V}$ , $V_{IL} = 0.8 \text{ V}$ , $I_{O(on)} = 40 \text{ mA}$	0.3	0.4		V
$I_I$	Input current at maximum input voltage	Any input except $\overline{BI}/\overline{RBO}$ $V_{CC} = \text{MAX.}$ , $V_I = 5.5 \text{ V}$			1	mA
$I_{IH}$	High-level input current	Any input except $\overline{BI}/\overline{RBO}$ $V_{CC} = \text{MAX.}$ , $V_I = 2.4 \text{ V}$			40	$\mu$ A
$I_{IL}$	Low-level input current	Any input except $\overline{BI}/\overline{RBO}$ $V_{CC} = \text{MAX.}$ , $V_I = 0.4 \text{ V}$			-1.6	mA
		$\overline{BI}/\overline{RBO}$			-4	
$I_{OS}$	Short-circuit output current	$\overline{BI}/\overline{RBO}$ $V_{CC} = \text{MAX.}$			-4	mA
$I_{CC}$	Supply current	$V_{CC} = \text{MAX.}$ See Note 2	SN54'	64	85	mA
			SN74'	64	103	

† For conditions shown as MIN or MAX, use the appropriate value specified under recommended operating conditions.

‡ All typical values are at  $V_{CC} = 5 \text{ V}$ ,  $T_A = 25^\circ\text{C}$ .

NOTE 2:  $I_{CC}$  is measured with all outputs open and all inputs at 4.5 V.

switching characteristics,  $V_{CC} = 5 \text{ V}$ ,  $T_A = 25^\circ\text{C}$

PARAMETER		TEST CONDITIONS	MIN	TYP	MAX	UNIT
$t_{off}$	Turn-off time from A input	$C_L = 15 \text{ pF}$ , $R_L = 120 \Omega$			100	ns
$t_{on}$	Turn-on time from A input				100	
$t_{off}$	Turn-off time from $\overline{RBI}$ input	See Note 3			100	ns
$t_{on}$	Turn-on time from $\overline{RBI}$ input				100	

NOTE 3: Load circuits and voltage waveforms are shown in Section 1.



# SN5448, SN7448 BCD-TO-SEVEN-SEGMENT DECODERS/DRIVERS

absolute maximum ratings over operating free-air temperature range (unless otherwise noted)

Supply voltage, $V_{CC}$ (see Note 1)	7 V
Input voltage	5.5 V
Operating free-air temperature range: SN5448	-55°C to 125°C
SN7448	0°C to 70°C
Storage temperature range	-65°C to 150°C

NOTE 1: Voltage values are with respect to network ground terminal.

recommended operating conditions

		SN5448			SN7448			UNIT
		MIN	NOM	MAX	MIN	NOM	MAX	
Supply voltage, $V_{CC}$		4.5	5	5.5	4.75	5	5.25	V
High-level output current, $I_{OH}$	a thru g			-400			-400	$\mu$ A
	$\overline{BI}/\overline{RBO}$			-200			-200	
Low-level output current, $I_{OL}$	a thru g			6.4			6.4	mA
	$\overline{BI}/\overline{RBO}$			8			8	
Operating free-air temperature, $T_A$		-55		125	0		70	°C

electrical characteristics over recommended operating free-air temperature range (unless otherwise noted)

PARAMETER		TEST CONDITIONS†	MIN	TYP‡	MAX	UNIT	
$V_{IH}$	High-level input voltage			2		V	
$V_{IL}$	Low-level input voltage				0.8	V	
$V_{IK}$	Input clamp voltage	$V_{CC} = \text{MIN}$ , $I_I = -12 \text{ mA}$			-1.5	V	
$V_{OH}$	High-level output voltage	a thru g	$V_{CC} = \text{MIN}$ , $V_{IH} = 2 \text{ V}$ , $V_{IL} = 0.8 \text{ V}$ , $I_{OH} = \text{MAX}$	2.4	4.2	V	
		$\overline{BI}/\overline{RBO}$		2.4	3.7		
$I_O$	Output current	a thru g	$V_{CC} = \text{MIN}$ , $V_O = 0.85 \text{ V}$ , Input conditions as for $V_{OH}$	-1.3	-2	mA	
$V_{OL}$	Low-level output voltage		$V_{CC} = \text{MIN}$ , $V_{IH} = 2 \text{ V}$ , $V_{IL} = 0.8 \text{ V}$ , $I_{OL} = \text{MAX}$	0.27	0.4	V	
$I_I$	Input current at maximum input voltage	Any input except $\overline{BI}/\overline{RBO}$	$V_{CC} = \text{MAX}$ , $V_I = 5.5 \text{ V}$		1	mA	
$I_{IH}$	High-level input current	Any input except $\overline{BI}/\overline{RBO}$	$V_{CC} = \text{MAX}$ , $V_I = 2.4 \text{ V}$		40	$\mu$ A	
$I_{IL}$	Low-level input current	Any input except $\overline{BI}/\overline{RBO}$	$V_{CC} = \text{MAX}$ , $V_I = 0.4 \text{ V}$		-1.6	mA	
		$\overline{BI}/\overline{RBO}$			-4		
$I_{OS}$	Short-circuit output current	$\overline{BI}/\overline{RBO}$	$V_{CC} = \text{MAX}$		-4	mA	
$I_{CC}$	Supply current		$V_{CC} = \text{MAX}$ , See Note 2	SN5448	53	76	mA
				SN7448	53	90	

† For conditions shown as MIN or MAX, use the appropriate value specified under recommended operating conditions.

‡ All typical values are at  $V_{CC} = 5 \text{ V}$ ,  $T_A = 25^\circ\text{C}$ .

NOTE 2:  $I_{CC}$  is measured with all outputs open and all inputs at 4.5 V.

switching characteristics,  $V_{CC} = 5 \text{ V}$ ,  $T_A = 25^\circ\text{C}$

PARAMETER	TEST CONDITIONS	MIN	TYP	MAX	UNIT
$t_{PHL}$	$C_L = 15 \text{ pF}$ , $R_L = 1 \text{ k}\Omega$ See Note 3			100	ns
$t_{PLH}$				100	
$t_{PHL}$				100	ns
$t_{PLH}$				100	

NOTE 3: Load circuits and voltage waveforms are shown in Section 1.



POST OFFICE BOX 655012 • DALLAS, TEXAS 75265

# SN54LS47, SN74LS47

## BCD-TO-SEVEN-SEGMENT DECODERS/DRIVERS

### absolute maximum ratings over operating free-air temperature range (unless otherwise noted)

Supply voltage, $V_{CC}$ (see Note 1)	7 V
Input voltage	7 V
Peak output current ( $t_w \leq 1$ ms, duty cycle $\leq 10\%$ )	200 mA
Current forced into any output in the off state	1 mA
Operating free-air temperature range: SN54LS47	$-55^\circ\text{C}$ to $125^\circ\text{C}$
SN74LS47	$0^\circ\text{C}$ to $70^\circ\text{C}$
Storage temperature range	$-65^\circ\text{C}$ to $150^\circ\text{C}$

NOTE 1: Voltage values are with respect to network ground terminal.

### recommended operating conditions

	SN54LS47			SN74LS47			UNIT
	MIN	NOM	MAX	MIN	NOM	MAX	
Supply voltage, $V_{CC}$	4.5	5	5.5	4.75	5	5.25	V
Off-state output voltage, $V_{O(off)}$	a thru g			15			V
On-state output current, $I_{O(on)}$	a thru g			12			mA
High-level output current, $I_{OH}$	$\overline{BI}/\overline{R\overline{B}O}$			-50			$\mu\text{A}$
Low-level output current, $I_{OL}$	$\overline{BI}/\overline{R\overline{B}O}$			1.6			mA
Operating free-air temperature, $T_A$	-55			125			$0^\circ\text{C}$ to $70^\circ\text{C}$

### electrical characteristics over recommended operating free-air temperature range (unless otherwise noted)

PARAMETER		TEST CONDITIONS <sup>†</sup>	SN54LS47			SN74LS47			UNIT
			MIN	TYP <sup>‡</sup>	MAX	MIN	TYP <sup>‡</sup>	MAX	
$V_{IH}$	High-level input voltage		2			2			V
$V_{IL}$	Low-level input voltage		0.7			0.8			V
$V_{IK}$	Input clamp voltage	$V_{CC} = \text{MIN}, I_I = -18$ mA	-1.5			-1.5			V
$V_{OH}$	High-level output voltage	$\overline{BI}/\overline{R\overline{B}O}$ $V_{CC} = \text{MIN}, V_{IH} = 2$ V, $V_{IL} = V_{IL \text{ max}}, I_{OH} = -50$ $\mu\text{A}$	2.4	4.2		2.4	4.2		V
$V_{OL}$	Low-level output voltage	$\overline{BI}/\overline{R\overline{B}O}$ $V_{CC} = \text{MIN}, V_{IH} = 2$ V, $V_{IL} = V_{IL \text{ max}}$	$I_{OL} = 1.6$ mA		0.25	0.4	$I_{OL} = 3.2$ mA		V
					0.35		0.5		
$I_{O(off)}$	Off-state output current	a thru g $V_{CC} = \text{MAX}, V_{IH} = 2$ V, $V_{IL} = V_{IL \text{ max}}, V_{O(off)} = 15$ V	250			250			$\mu\text{A}$
$V_{O(on)}$	On-state output voltage	a thru g $V_{CC} = \text{MIN}, V_{IH} = 2$ V, $V_{IL} = V_{IL \text{ max}}$	$I_{O(on)} = 12$ mA		0.25	0.4	$I_{O(on)} = 24$ mA		V
					0.35		0.5		
$I_I$	Input current at maximum input voltage	$V_{CC} = \text{MAX}, V_I = 7$ V	0.1			0.1			mA
$I_{IH}$	High-level input current	$V_{CC} = \text{MAX}, V_I = 2.7$ V	20			20			$\mu\text{A}$
$I_{IL}$	Low-level input current	Any input except $\overline{BI}/\overline{R\overline{B}O}$	$V_{CC} = \text{MAX}, V_I = 0.4$ V			-0.4			mA
		$\overline{BI}/\overline{R\overline{B}O}$				-1.2			
$I_{OS}$	Short-circuit output current	$\overline{BI}/\overline{R\overline{B}O}$ $V_{CC} = \text{MAX}$	-0.3		-2		-0.3		mA
$I_{CC}$	Supply current	$V_{CC} = \text{MAX},$ See Note 2	7		13		7		mA

<sup>†</sup>For conditions shown as MIN or MAX, use the appropriate value specified under recommended operating conditions.

<sup>‡</sup>All typical values are at  $V_{CC} = 5$  V,  $T_A = 25^\circ\text{C}$ .

NOTE 2:  $I_{CC}$  is measured with all outputs open and all inputs at 4.5 V.

### switching characteristics, $V_{CC} = 5$ V, $T_A = 25^\circ\text{C}$

PARAMETER		TEST CONDITIONS	MIN	TYP	MAX	UNIT
$t_{off}$	Turn-off time from A input	$C_L = 15$ pF, $R_L = 665$ $\Omega$ , See Note 3	100			ns
$t_{on}$	Turn-on time from A input		100			
$t_{off}$	Turn-off time from $\overline{RBI}$ input, outputs (a-f) only		100			ns
$t_{on}$	Turn-on time from $\overline{RBI}$ input, outputs (a-f) only		100			

NOTE 3: Load circuits and voltage waveforms are shown in Section 1.



# SN54LS48, SN74LS48

## BCD-TO-SEVEN-SEGMENT DECODERS/DRIVERS

absolute maximum ratings over operating free-air temperature range (unless otherwise noted)

Supply voltage, $V_{CC}$ (see Note 1)	7 V
Input voltage	7 V
Operating free-air temperature range: SN54LS48	-55°C to 125°C
SN74LS48	0°C to 70°C
Storage temperature range	-65°C to 150°C

NOTE 1: Voltage values are with respect to network ground terminal.

### recommended operating conditions

	SN54LS48			SN74LS48			UNIT
	MIN	NOM	MAX	MIN	NOM	MAX	
Supply voltage, $V_{CC}$	4.5	5	5.5	4.75	5	5.25	V
High-level output current, $I_{OH}$	a thru g			-100			$\mu$ A
	$\overline{BI}/\overline{RBO}$			-50			
Low-level output current, $I_{OL}$	a thru g			2			mA
	$\overline{BI}/\overline{RBO}$			1.6			
Operating free-air temperature, $T_A$	-55		125	0		70	°C

electrical characteristics over recommended operating free-air temperature range (unless otherwise noted)

PARAMETER		TEST CONDITIONS†	SN54LS48			SN74LS48			UNIT			
			MIN	TYP‡	MAX	MIN	TYP‡	MAX				
$V_{IH}$	High-level input voltage		2			2			V			
$V_{IL}$	Low-level input voltage				0.7			0.8	V			
$V_{IK}$	Input clamp voltage	$V_{CC} = \text{MIN}$ , $I_I = -18 \text{ mA}$			-1.5			-1.5	V			
$V_{OH}$	High-level output voltage	a thru g and $\overline{BI}/\overline{RBO}$	$V_{CC} = \text{MIN}$ , $V_{IH} = 2 \text{ V}$ , $V_{IL} = V_{IL \text{ max}}$ , $I_{OH} = \text{MAX}$			2.4	4.2	2.4	4.2	V		
$I_O$	Output current	a thru g	$V_{CC} = \text{MIN}$ , $V_O = 0.85 \text{ V}$ , Input conditions as for $V_{OH}$			-1.3	-2	-1.3	-2	mA		
$V_{OL}$	Low-level output voltage	a thru g	$V_{CC} = \text{MIN}$ , $V_{IH} = 2 \text{ V}$ , $V_{IL} = V_{IL \text{ max}}$			$I_{OL} = 2 \text{ mA}$		0.25	0.4	0.25	0.4	V
						$I_{OL} = 6 \text{ mA}$				0.35	0.5	
		$\overline{BI}/\overline{RBO}$	$V_{CC} = \text{MIN}$ , $V_{IH} = 2 \text{ V}$ , $V_{IL} = V_{IL \text{ max}}$			$I_{OL} = 1.6 \text{ mA}$		0.25	0.4	0.25	0.4	V
						$I_{OL} = 3.2 \text{ mA}$				0.35	0.5	
$I_I$	Input current at maximum input voltage	Any input except $\overline{BI}/\overline{RBO}$	$V_{CC} = \text{MAX}$ , $V_I = 7 \text{ V}$					0.1		0.1	mA	
$I_{IH}$	High-level input current	Any input except $\overline{BI}/\overline{RBO}$	$V_{CC} = \text{MAX}$ , $V_I = 2.7 \text{ V}$					20		20	$\mu$ A	
$I_{IL}$	Low-level input current	Any input except $\overline{BI}/\overline{RBO}$	$V_{CC} = \text{MAX}$ , $V_I = 0.4 \text{ V}$					-0.4		-0.4	mA	
		$\overline{BI}/\overline{RBO}$						-1.2		-1.2		
$I_{OS}$	Short-circuit output current	$\overline{BI}/\overline{RBO}$	$V_{CC} = \text{MAX}$			-0.3	-2	-0.3	-2	mA		
$I_{CC}$	Supply current		$V_{CC} = \text{MAX}$ , See Note 2			25	38	25	38	mA		

†For conditions shown as MIN or MAX, use the appropriate value specified under recommended operating conditions.

‡All typical values are at  $V_{CC} = 5 \text{ V}$ ,  $T_A = 25^\circ\text{C}$ .

NOTE 2:  $I_{CC}$  is measured with all outputs open and all inputs at 4.5 V.

### switching characteristics, $V_{CC} = 5 \text{ V}$ , $T_A = 25^\circ\text{C}$

PARAMETER	TEST CONDITIONS	MIN	TYP	MAX	UNIT
$t_{PHL}$	Propagation delay time, high-to-low-level output from A input			100	ns
$t_{PLH}$	Propagation delay time, low-to-high-level output from A input			100	
$t_{PHL}$	Propagation delay time, high-to-low-level output (a-f only) from $\overline{RBI}$ input			100	ns
$t_{PLH}$	Propagation delay time, low-to-high-level output (a-f only) from $\overline{RBI}$ input			100	

NOTE 3: Load circuits and voltage waveforms are shown in Section 1.

TEXAS  
INSTRUMENTS

POST OFFICE BOX 655012 • DALLAS, TEXAS 75265

# SN54LS49, SN74LS49 BCD-TO-SEVEN-SEGMENT-DECODERS/DRIVERS

## absolute maximum ratings over operating free-air temperature range (unless otherwise noted)

Supply voltage, $V_{CC}$ (see Note 1)	7 V
Input voltage	7 V
Current forced into any output in the off state	1 mA
Operating free-air temperature range: SN54LS49	-55°C to 125°C
SN74LS49	0°C to 70°C
Storage temperature range	-65°C to 150°C

NOTE 1: Voltage values are with respect to network ground terminal.

## recommended operating conditions

	SN54LS49			SN74LS49			UNIT
	MIN	NOM	MAX	MIN	NOM	MAX	
Supply voltage, $V_{CC}$	4.5	5	5.5	4.75	5	5.25	V
High-level output voltage, $V_{OH}$			5.5			6.5	V
Low-level output current, $I_{OL}$			4			8	mA
Operating free-air temperature, $T_A$	-55		125	0		70	°C

## electrical characteristics over recommended operating free-air temperature range (unless otherwise noted)

PARAMETER	TEST CONDITIONS†	SN54LS49			SN74LS49			UNIT
		MIN	TYP‡	MAX	MIN	TYP‡	MAX	
$V_{IH}$ High-level input voltage		2			2		V	
$V_{IL}$ Low-level input voltage				0.7		0.8	V	
$V_{IK}$ Input clamp voltage	$V_{CC} = \text{MIN}, I_I = -18 \text{ mA}$			-1.5		-1.5	V	
$I_{OH}$ High-level output current	$V_{CC} = \text{MIN}, V_{IH} = 2 \text{ V}, V_{IL} = V_{IL \text{ max}}, V_{OH} = 5.5 \text{ V}$			250		250	μA	
$V_{OL}$ Low-level output voltage	$V_{CC} = \text{MIN}, V_{IH} = 2 \text{ V}, V_{IL} = V_{IL \text{ max}}$	$I_{OL} = 4 \text{ mA}$	0.25	0.4	0.25	0.4	V	
		$I_{OL} = 8 \text{ mA}$			0.35	0.5		
$I_I$ Input current at maximum input voltage	$V_{CC} = \text{MAX}, V_I = 7 \text{ V}$			0.1		0.1	mA	
$I_{IH}$ High-level input current	$V_{CC} = \text{MAX}, V_I = 2.7 \text{ V}$			20		20	μA	
$I_{IL}$ Low-level input current	$V_{CC} = \text{MAX}, V_I = 0.4 \text{ V}$			-0.4		-0.4	mA	
$I_{CC}$ Supply current	$V_{CC} = \text{MAX}, \text{ See Note 2}$			8	15	8	15	mA

†For conditions shown as MIN or MAX, use the appropriate value specified under recommended operating conditions.

‡All typical values are at  $V_{CC} = 5 \text{ V}, T_A = 25^\circ\text{C}$ .

NOTE 2:  $I_{CC}$  is measured with all outputs open and all inputs at 4.5 V.

## switching characteristics, $V_{CC} = 5 \text{ V}, T_A = 25^\circ\text{C}$

PARAMETER	TEST CONDITIONS	MIN	TYP	MAX	UNIT
$t_{PHL}$ Propagation delay time, high-to-low-level output from A input	$C_L = 15 \text{ pF}, R_L = 4 \text{ k}\Omega$			100	ns
$t_{PLH}$ Propagation delay time, low-to-high-level output from A input	See Note 3			100	
$t_{pHL}$ Propagation delay time, high-to-low-level output (a-f only) from $\overline{\text{RBI}}$ input	$C_L = 15 \text{ pF}, R_L = 6 \text{ k}\Omega$			100	ns
$t_{pLH}$ Propagation delay time, low-to-high-level output (a-f only) from $\overline{\text{RBI}}$ input	See Note 3			100	

NOTE 3: Load circuits and voltage waveforms are shown in Section 1.



## **IMPORTANT NOTICE**

Texas Instruments (TI) reserves the right to make changes to its products or to discontinue any semiconductor product or service without notice, and advises its customers to obtain the latest version of relevant information to verify, before placing orders, that the information being relied on is current.

TI warrants performance of its semiconductor products and related software to the specifications applicable at the time of sale in accordance with TI's standard warranty. Testing and other quality control techniques are utilized to the extent TI deems necessary to support this warranty. Specific testing of all parameters of each device is not necessarily performed, except those mandated by government requirements.

Certain applications using semiconductor products may involve potential risks of death, personal injury, or severe property or environmental damage ("Critical Applications").

**TI SEMICONDUCTOR PRODUCTS ARE NOT DESIGNED, INTENDED, AUTHORIZED, OR WARRANTED TO BE SUITABLE FOR USE IN LIFE-SUPPORT APPLICATIONS, DEVICES OR SYSTEMS OR OTHER CRITICAL APPLICATIONS.**

Inclusion of TI products in such applications is understood to be fully at the risk of the customer. Use of TI products in such applications requires the written approval of an appropriate TI officer. Questions concerning potential risk applications should be directed to TI through a local SC sales office.

In order to minimize risks associated with the customer's applications, adequate design and operating safeguards should be provided by the customer to minimize inherent or procedural hazards.

TI assumes no liability for applications assistance, customer product design, software performance, or infringement of patents or services described herein. Nor does TI warrant or represent that any license, either express or implied, is granted under any patent right, copyright, mask work right, or other intellectual property right of TI covering or relating to any combination, machine, or process in which such semiconductor products or services might be or are used.