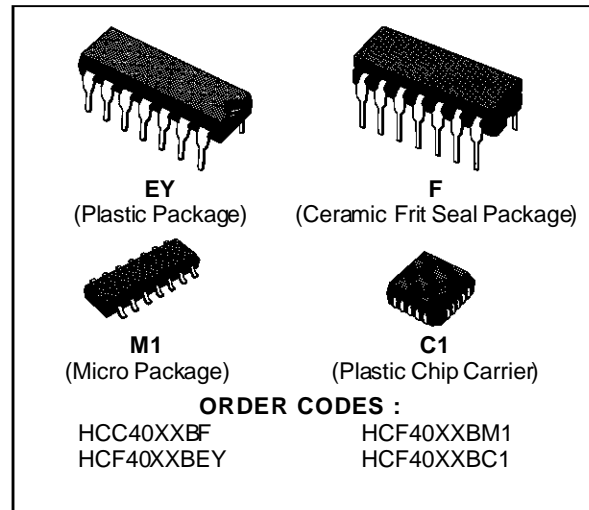


**AND GATES**

- 4073B TRIPLE 3-INPUT AND GATE**
- 4081B QUAD 2-INPUT AND GATE**
- 4082B DUAL 4-INPUT AND GATE**

- MEDIUM SPEED OPERATION –  $t_{PLH} = 85\text{ns}$  (typ.) ;  $t_{PHL} = 65\text{ns}$  (typ.) AT 10V
- QUIESCENT CURRENT SPECIFIED TO 20V FOR HCC DEVICE
- 5V, 10V, AND 15V PARAMETRIC RATINGS
- INPUT CURRENT OF 100nA AT 18V AND 25°C FOR HCC DEVICE
- 100% TESTED FOR QUIESCENT CURRENT
- MEETS ALL REQUIREMENTS OF JEDEC TENTATIVE STANDARD N° 13A, "STANDARD SPECIFICATIONS FOR DESCRIPTION OF "B" SERIES CMOS DEVICES"



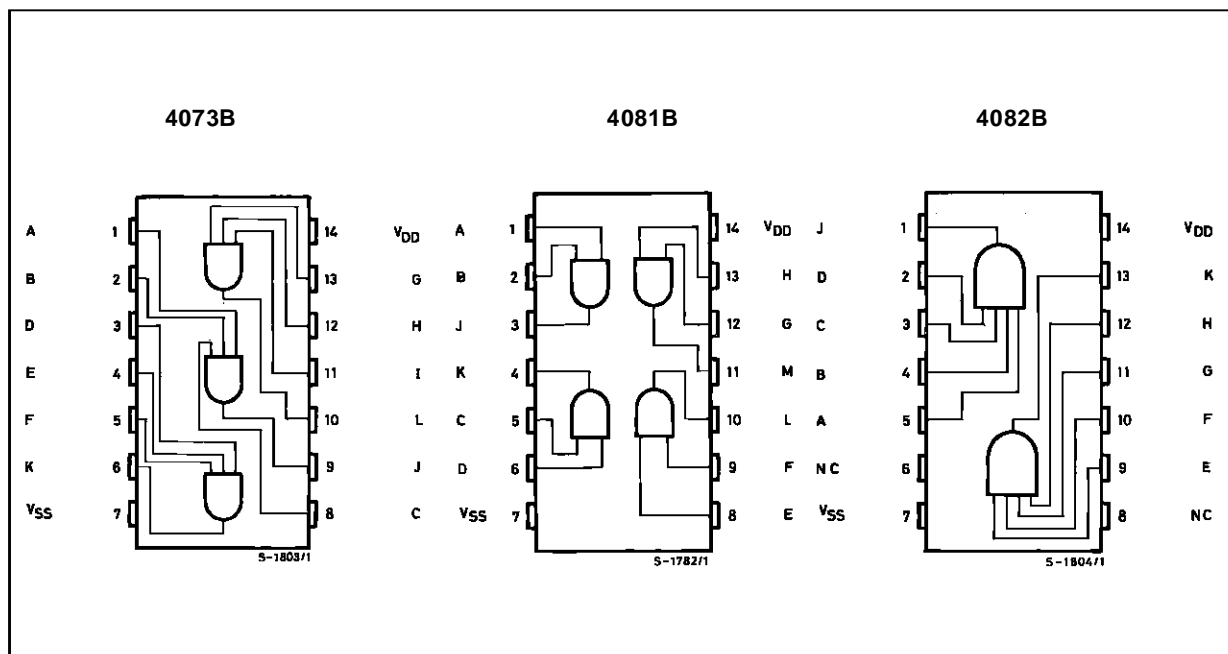
**DESCRIPTION**

The **HCC4073B**, **HCC4081B** and **HCC4082B** (extended temperature range) and the **HCF4073B**, **HCF4081B** and **HCF4082B** (intermediate temperature range) are monolithic integrated circuits avail-

able in 14-lead dual in-line plastic or ceramic package and plastic micro package.

The **HCC/HCF4073B**, **4081B** and **4082B** AND gates provide the system designer with direct im-

**CONNECTION DIAGRAM**



## HCC/HCF4073B/4081B/4082B

### ABSOLUTE MAXIMUM RATINGS

| Symbol            | Parameter  | Value                          | Unit |
|-------------------|--|--------------------------------|------|
| V <sub>DD</sub> * | Supply Voltage : <b>HCC</b> Types<br><b>HCF</b> Types  | - 0.5 to + 20                  | V    |
|                   |  | - 0.5 to + 18                  | V    |
| V <sub>i</sub>    | Input Voltage  | - 0.5 to V <sub>DD</sub> + 0.5 | V    |
| I <sub>I</sub>    | DC Input Current (any one input)   | ± 10                           | mA   |
| P <sub>tot</sub>  | Total Power Dissipation (per package)<br>Dissipation per Output Transistor<br>for T <sub>op</sub> = Full Package-temperature Range | 200                            | mW   |
|                   |  | 100                            | mW   |
| T <sub>op</sub>   | Operating Temperature : <b>HCC</b> Types<br><b>HCF</b> Types   | - 55 to + 125                  | °C   |
|                   |  | - 40 to + 85                   | °C   |
| T <sub>stg</sub>  | Storage Temperature  | - 65 to + 150                  | °C   |

Stresses above those listed under "Absolute Maximum Ratings" may cause permanent damage to the device. This is a stress rating only and functional operation of the device at these or any other conditions above those indicated in the operational sections of this specification is not implied. Exposure to absolute maximum rating conditions for external periods may affect device reliability.

\* All voltage values are referred to V<sub>SS</sub> pin voltage.

### RECOMMENDED OPERATING CONDITIONS

| Symbol          | Parameter  | Value                | Unit |
|-----------------|--|----------------------|------|
| V <sub>DD</sub> | Supply Voltage : <b>HCC</b> Types<br><b>HCF</b> Types        | 3 to 18              | V    |
|                 |  | 3 to 15              | V    |
| V <sub>I</sub>  | Input Voltage  | 0 to V <sub>DD</sub> | V    |
| T <sub>op</sub> | Operating Temperature : <b>HCC</b> Types<br><b>HCF</b> Types | - 55 to + 125        | °C   |
|                 |  | - 40 to + 85         | °C   |

### STATIC ELECTRICAL CHARACTERISTICS (over recommended operating conditions)

| Symbol          | Parameter           | Test Conditions       |                       |                          |                        | Value              |      |       |      |      |                     | Unit |      |    |
|-----------------|---------------------|-----------------------|-----------------------|--------------------------|------------------------|--------------------|------|-------|------|------|---------------------|------|------|----|
|                 |                     | V <sub>I</sub><br>(V) | V <sub>O</sub><br>(V) | I <sub>O</sub>  <br>(μA) | V <sub>DD</sub><br>(V) | T <sub>Low</sub> * |      | 25 °C |      |      | T <sub>High</sub> * |      |      |    |
|                 |                     |                       |                       |                          |                        | Min.               | Max. | Min.  | Typ. | Max. | Min.                |      | Max. |    |
| I <sub>L</sub>  | Quiescent Current   | HCC Types             | 0/ 5                  |                          |                        | 5                  |      | 0.25  |      | 0.01 | 0.25                |      | 7.5  | μA |
|                 |                     |                       | 0/10                  |                          |                        | 10                 |      | 0.5   |      | 0.01 | 0.5                 |      | 15   |    |
|                 |                     |                       | 0/15                  |                          |                        | 15                 |      | 1     |      | 0.01 | 1                   |      | 30   |    |
|                 |                     |                       | 0/20                  |                          |                        | 20                 |      | 5     |      | 0.02 | 5                   |      | 150  |    |
|                 |                     | HCF Types             | 0/ 5                  |                          |                        | 5                  |      | 1     |      | 0.01 | 1                   |      | 7.5  |    |
|                 |                     |                       | 0/10                  |                          |                        | 10                 |      | 2     |      | 0.01 | 2                   |      | 15   |    |
| V <sub>OH</sub> | Output High Voltage | 0/ 5                  |                       | < 1                      | 5                      | 4.95               |      | 4.95  |      |      | 4.95                |      | V    |    |
|                 |                     | 0/10                  |                       | < 1                      | 10                     | 9.95               |      | 9.95  |      |      | 9.95                |      |      |    |
|                 |                     | 0/15                  |                       | < 1                      | 15                     | 14.95              |      | 14.95 |      |      | 14.95               |      |      |    |
| V <sub>OL</sub> | Output Low Voltage  | 5/0                   |                       | < 1                      | 5                      |                    | 0.05 |       |      | 0.05 |                     | 0.05 | V    |    |
|                 |                     | 10/0                  |                       | < 1                      | 10                     |                    | 0.05 |       |      | 0.05 |                     | 0.05 |      |    |
|                 |                     | 15/0                  |                       | < 1                      | 15                     |                    | 0.05 |       |      | 0.05 |                     | 0.05 |      |    |

\* T<sub>Low</sub> = - 55°C for **HCC** device : - 40°C for **HCF** device.

\* T<sub>High</sub> = + 125°C for **HCC** device : + 85°C for **HCF** device.

The Noise Margin for both "1" and "0" level is : 1V min. with V<sub>DD</sub> = 5V, 2V min. with V<sub>DD</sub> = 10V, 2.5V min. with V<sub>DD</sub> = 15V.

## STATIC ELECTRICAL CHARACTERISTICS (continued)

| Symbol                            | Parameter             | Test Conditions       |                       |                                |                        | Value              |           |        |               |           |                     | Unit    |         |
|-----------------------------------|-----------------------|-----------------------|-----------------------|--------------------------------|------------------------|--------------------|-----------|--------|---------------|-----------|---------------------|---------|---------|
|                                   |                       | V <sub>I</sub><br>(V) | V <sub>O</sub><br>(V) | I <sub>O</sub>  <br>( $\mu$ A) | V <sub>DD</sub><br>(V) | T <sub>Low</sub> * |           | 25 °C  |               |           | T <sub>High</sub> * |         |         |
|                                   |                       |                       |                       |                                |                        | Min.               | Max.      | Min.   | Typ.          | Max.      | Min.                |         | Max.    |
| V <sub>IH</sub>                   | Input High Voltage    | 0.5/4.5               | < 1                   | 5                              | 3.5                    |                    | 3.5       |        |               |           | 3.5                 |         | V       |
|                                   |                       | 1/9                   | < 1                   | 10                             | 7                      |                    | 7         |        |               |           | 7                   |         |         |
|                                   |                       | 1.5/13.5              | < 1                   | 15                             | 11                     |                    | 11        |        |               |           | 11                  |         |         |
| V <sub>IL</sub>                   | Input Low Voltage     | 4.5/0.5               | < 1                   | 5                              |                        | 1.5                |           |        | 1.5           |           | 1.5                 |         | V       |
|                                   |                       | 9/1                   | < 1                   | 10                             |                        | 3                  |           |        | 3             |           | 3                   |         |         |
|                                   |                       | 13.5/1.5              | < 1                   | 15                             |                        | 4                  |           |        | 4             |           | 4                   |         |         |
| I <sub>OH</sub>                   | Output Drive Current  | HCC Types             | 0/ 5                  | 2.5                            | 5                      | - 2                |           | - 1.6  | - 3.2         |           | - 1.15              |         | mA      |
|                                   |                       |                       | 0/ 5                  | 4.6                            | 5                      | - 0.64             |           | - 0.51 | - 1           |           | - 0.36              |         |         |
|                                   |                       |                       | 0/10                  | 9.5                            | 10                     | - 1.6              |           | - 1.3  | - 2.6         |           | - 0.9               |         |         |
|                                   |                       |                       | 0/15                  | 13.5                           | 15                     | - 4.2              |           | - 3.4  | - 6.8         |           | - 2.4               |         |         |
|                                   |                       | HCF Types             | 0/ 5                  | 2.5                            | 5                      | - 1.53             |           | - 1.36 | - 3.2         |           | - 1.1               |         |         |
|                                   |                       |                       | 0/ 5                  | 4.6                            | 5                      | - 0.52             |           | - 0.44 | - 1           |           | - 0.36              |         |         |
|                                   |                       |                       | 0/10                  | 9.5                            | 10                     | - 1.3              |           | - 1.1  | - 2.6         |           | - 0.9               |         |         |
|                                   |                       |                       | 0/15                  | 13.5                           | 15                     | - 3.6              |           | - 3.0  | - 6.8         |           | - 2.4               |         |         |
| I <sub>OL</sub>                   | Output Sink Current   | HCC Types             | 0/ 5                  | 0.4                            | 5                      | 0.64               |           | 0.51   | 1             |           | 0.36                |         | mA      |
|                                   |                       |                       | 0/10                  | 0.5                            | 10                     | 1.6                |           | 1.3    | 2.6           |           | 0.9                 |         |         |
|                                   |                       |                       | 0/15                  | 1.5                            | 15                     | 4.2                |           | 3.4    | 6.8           |           | 2.4                 |         |         |
|                                   |                       | HCF Types             | 0/ 5                  | 0.4                            | 5                      | 0.52               |           | 0.44   | 1             |           | 0.36                |         |         |
|                                   |                       |                       | 0/10                  | 0.5                            | 10                     | 1.3                |           | 1.1    | 2.6           |           | 0.9                 |         |         |
|                                   |                       |                       | 0/15                  | 1.5                            | 15                     | 3.6                |           | 3.0    | 6.8           |           | 2.4                 |         |         |
| I <sub>IH</sub> , I <sub>IL</sub> | Input Leakage Current | HCC Types             | 0/18                  | Any Input                      | 18                     |                    | $\pm 0.1$ |        | $\pm 10^{-5}$ | $\pm 0.1$ |                     | $\pm 1$ | $\mu$ A |
|                                   |                       | HCF Types             | 0/15                  |                                | 15                     |                    | $\pm 0.3$ |        | $\pm 10^{-5}$ | $\pm 0.3$ |                     | $\pm 1$ |         |
| C <sub>I</sub>                    | Input Capacitance     |                       | Any Input             |                                |                        |                    |           | 5      | 7.5           |           |                     | pF      |         |

\* T<sub>Low</sub> = - 55°C for HCC device : - 40°C for HCF device.

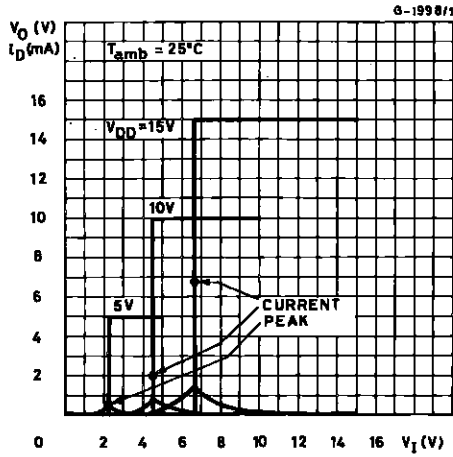
\* T<sub>High</sub> = + 125°C for HCC device : + 85°C for HCF device.

The Noise Margin for both "1" and "0" level is : 1V min. with V<sub>DD</sub> = 5V, 2V min. with V<sub>DD</sub> = 10V, 2.5V min. with V<sub>DD</sub> = 15V.

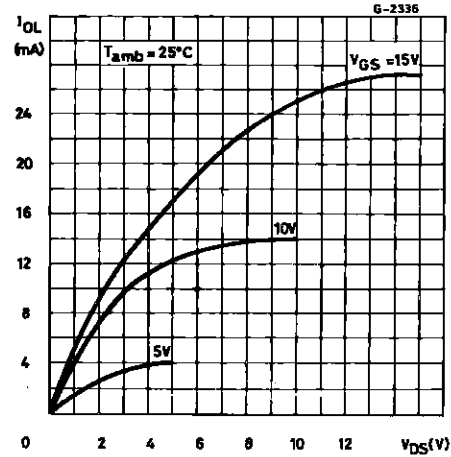
**DYNAMIC ELECTRICAL CHARACTERISTICS** (T<sub>amb</sub> = 25°C, C<sub>L</sub> = 50pF, typical temperature coefficient for all V<sub>DD</sub> values is 0.3%/°C, all input rise and fall times = 20ns, R<sub>L</sub> = 200k $\Omega$ )

| Symbol                              | Parameter              | Test Conditions |                     | Value |      |      | Unit |
|-------------------------------------|------------------------|-----------------|---------------------|-------|------|------|------|
|                                     |                        |                 | V <sub>DD</sub> (V) | Min.  | Typ. | Max. |      |
| t <sub>PHL</sub> , t <sub>PLH</sub> | Propagation Delay Time |                 | 5                   |       | 125  | 250  | ns   |
|                                     |                        |                 | 10                  |       | 60   | 125  |      |
|                                     |                        |                 | 15                  |       | 45   | 90   |      |
| t <sub>TLH</sub> , t <sub>THL</sub> | Transition Time        |                 | 5                   |       | 100  | 200  | ns   |
|                                     |                        |                 | 10                  |       | 50   | 100  |      |
|                                     |                        |                 | 15                  |       | 40   | 80   |      |

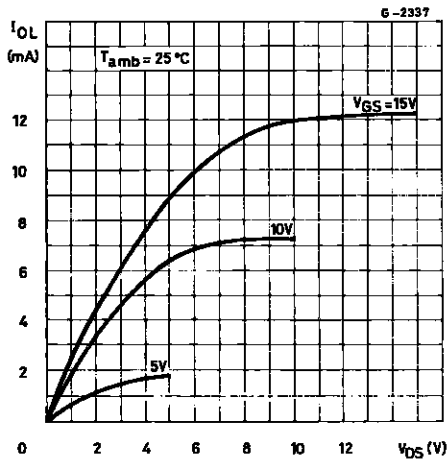
Typical Voltage and Current Transfer Characteristics.



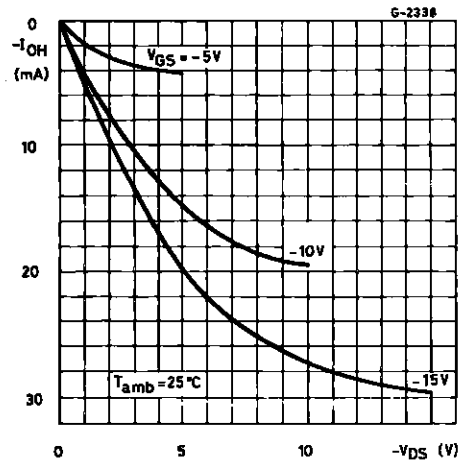
Typical Output Low (sink) Current .



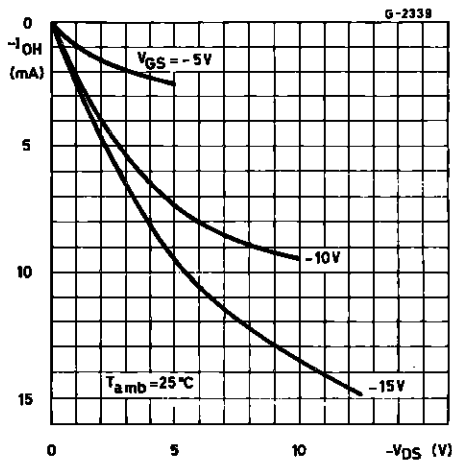
Minimum Output Low (sink) Current Characteristics.



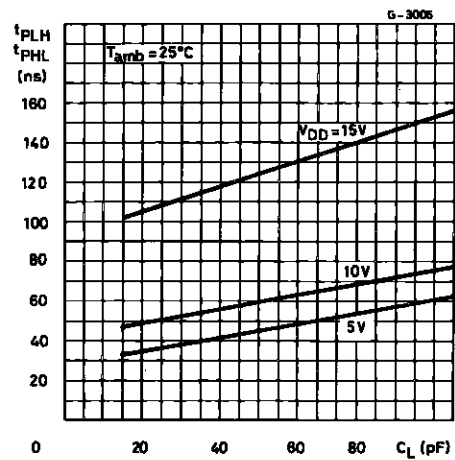
Typical Output High (source) Current Characteristics.



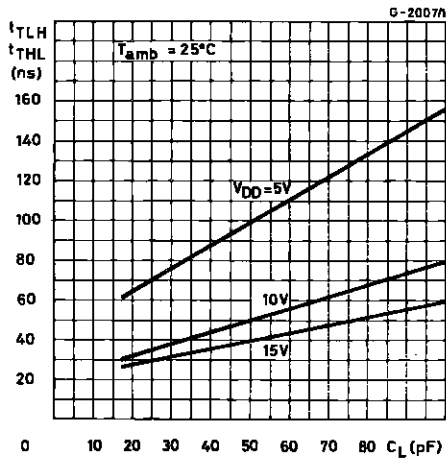
Minimum Output High (source) Current Characteristics.



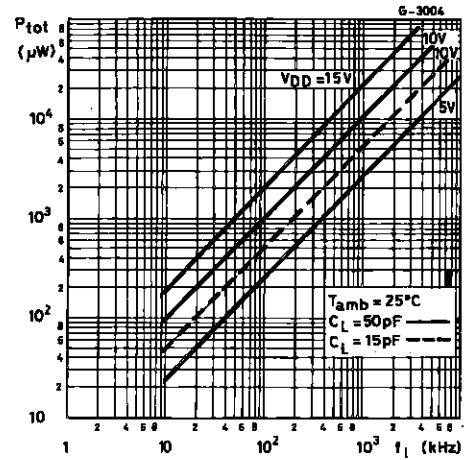
Typical Propagation Delay Time vs. Load Capacitance.



Typical Transition Time vs. Load Capacitance.

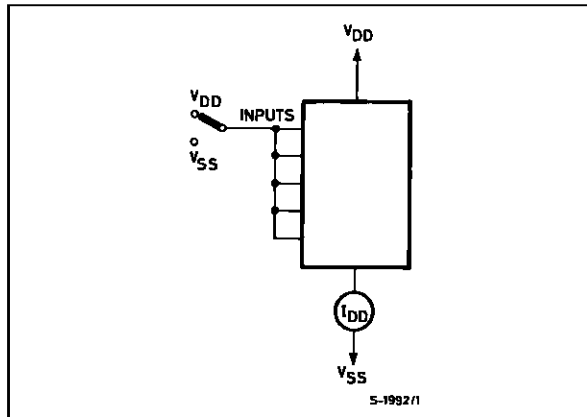


Typical Dynamic Power Dissipation per Gate vs. Frequency.

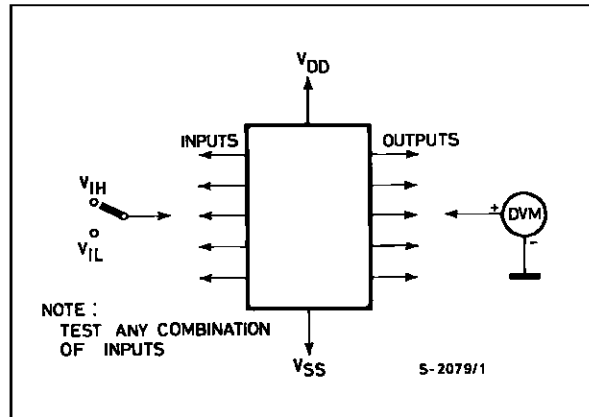


TEST CIRCUITS

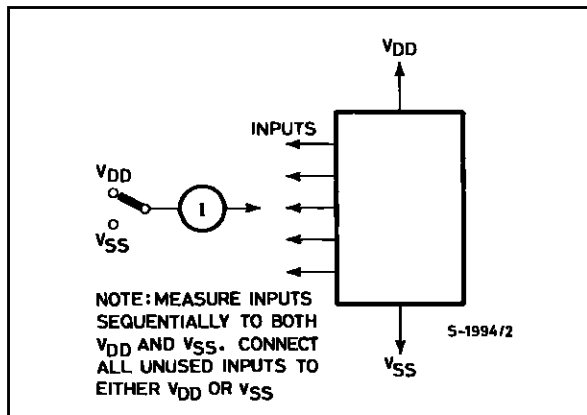
Quiescent Device Current.



Input Voltage.

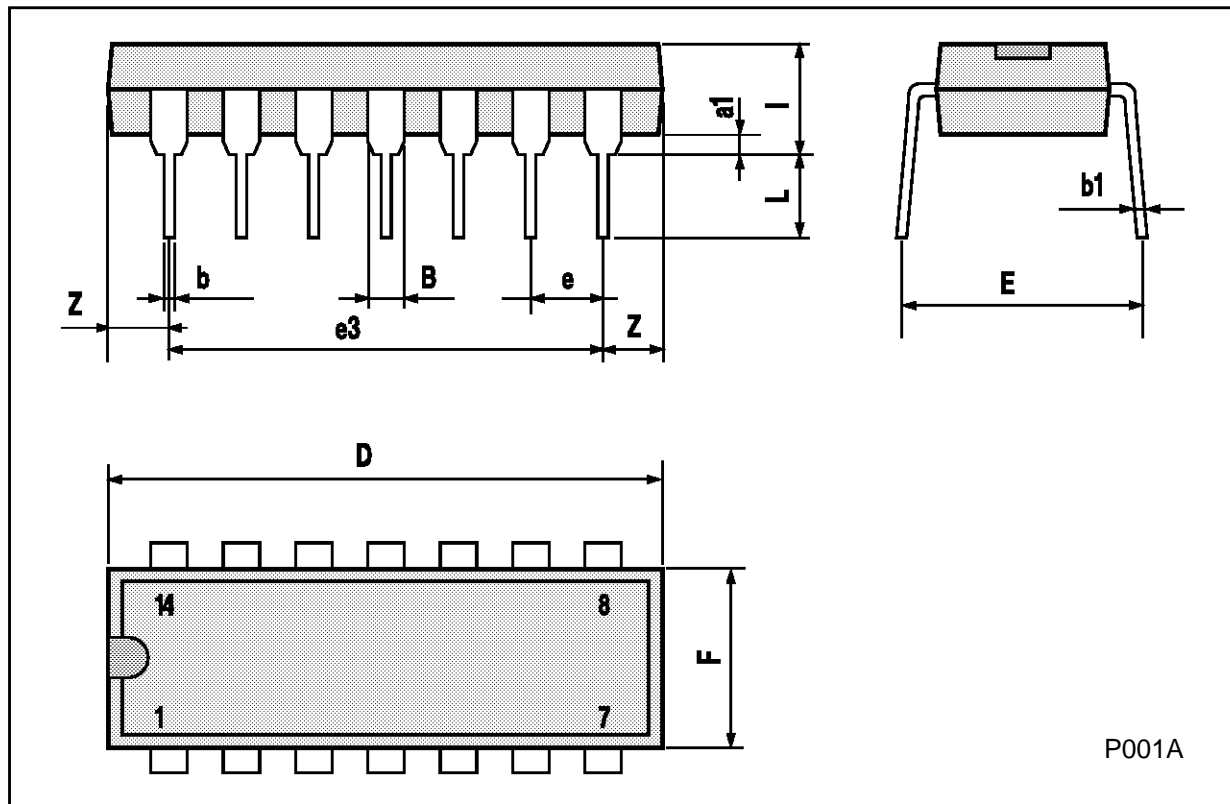


Input Leakage Current.



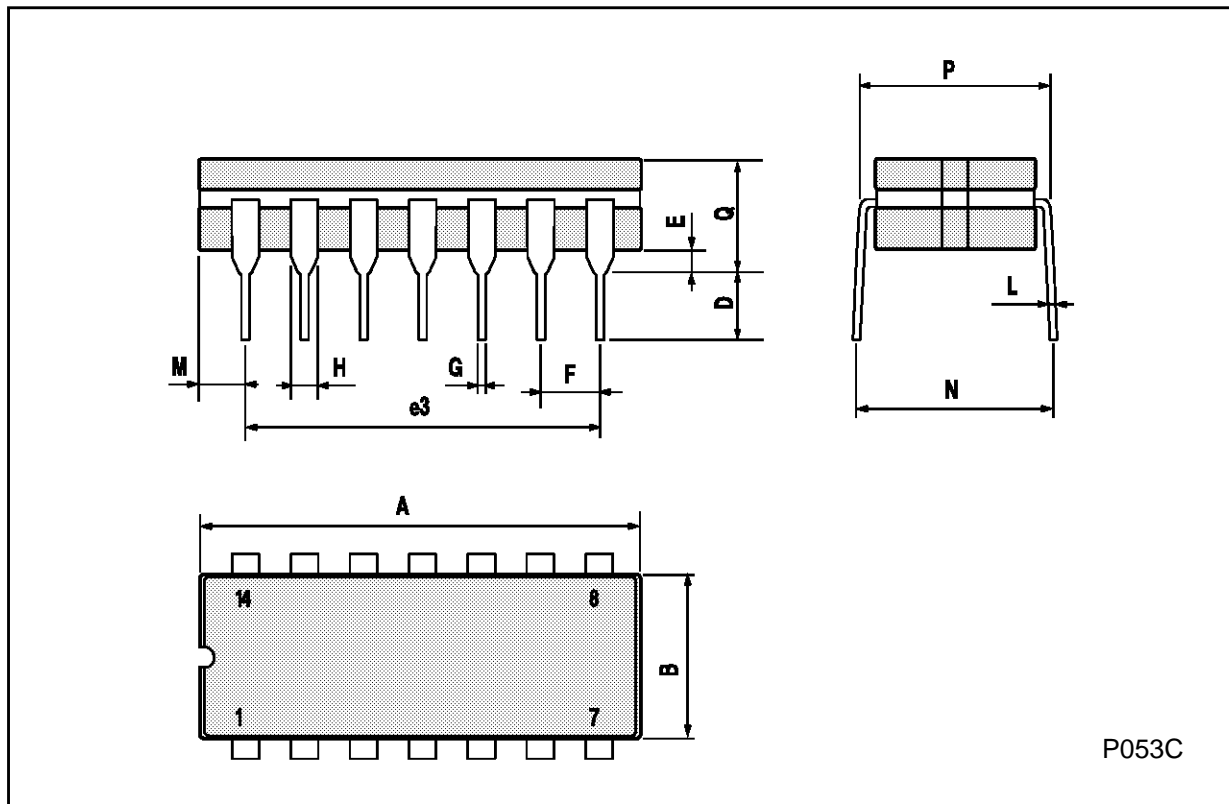
**Plastic DIP14 MECHANICAL DATA**

| DIM. | mm   |       |      | inch  |       |       |
|------|------|-------|------|-------|-------|-------|
|      | MIN. | TYP.  | MAX. | MIN.  | TYP.  | MAX.  |
| a1   | 0.51 |       |      | 0.020 |       |       |
| B    | 1.39 |       | 1.65 | 0.055 |       | 0.065 |
| b    |      | 0.5   |      |       | 0.020 |       |
| b1   |      | 0.25  |      |       | 0.010 |       |
| D    |      |       | 20   |       |       | 0.787 |
| E    |      | 8.5   |      |       | 0.335 |       |
| e    |      | 2.54  |      |       | 0.100 |       |
| e3   |      | 15.24 |      |       | 0.600 |       |
| F    |      |       | 7.1  |       |       | 0.280 |
| I    |      |       | 5.1  |       |       | 0.201 |
| L    |      | 3.3   |      |       | 0.130 |       |
| Z    | 1.27 |       | 2.54 | 0.050 |       | 0.100 |



**Ceramic DIP14/1 MECHANICAL DATA**

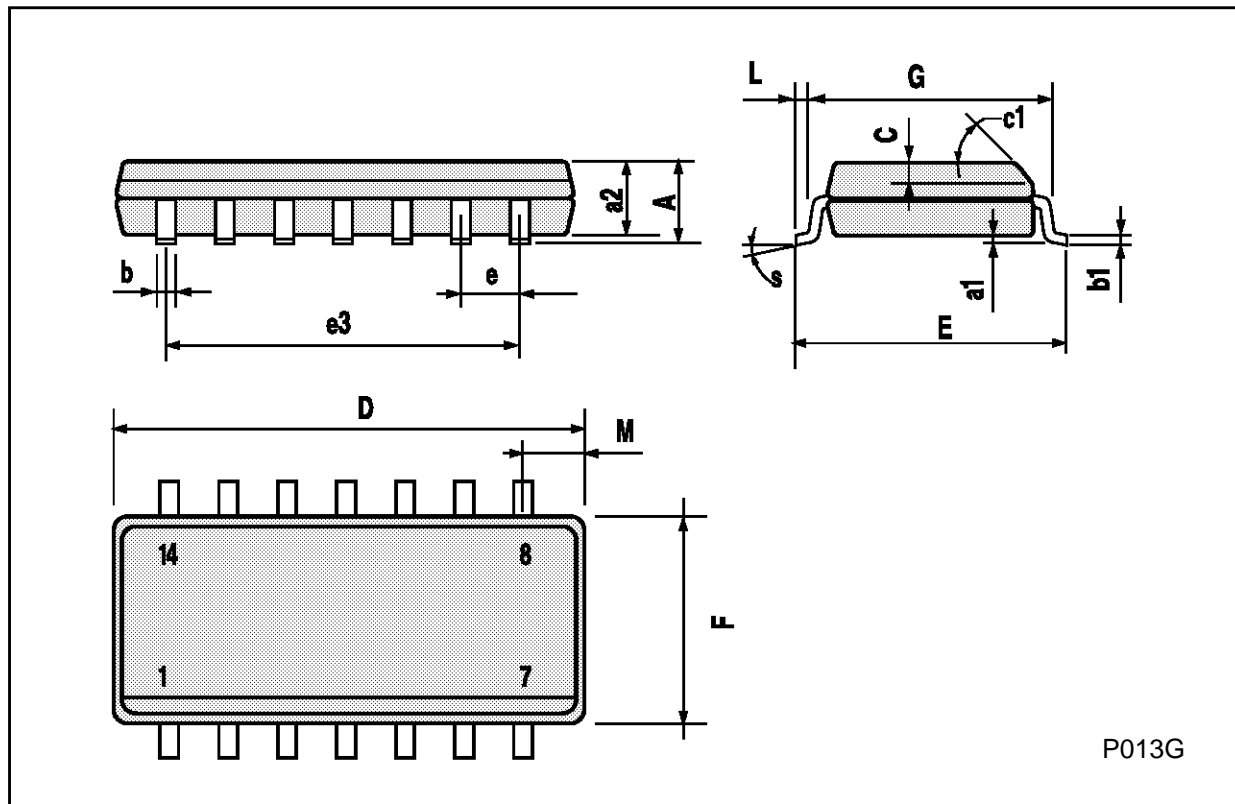
| DIM. | mm   |       |      | inch  |       |       |
|------|------|-------|------|-------|-------|-------|
|      | MIN. | TYP.  | MAX. | MIN.  | TYP.  | MAX.  |
| A    |      |       | 20   |       |       | 0.787 |
| B    |      |       | 7.0  |       |       | 0.276 |
| D    |      | 3.3   |      |       | 0.130 |       |
| E    | 0.38 |       |      | 0.015 |       |       |
| e3   |      | 15.24 |      |       | 0.600 |       |
| F    | 2.29 |       | 2.79 | 0.090 |       | 0.110 |
| G    | 0.4  |       | 0.55 | 0.016 |       | 0.022 |
| H    | 1.17 |       | 1.52 | 0.046 |       | 0.060 |
| L    | 0.22 |       | 0.31 | 0.009 |       | 0.012 |
| M    | 1.52 |       | 2.54 | 0.060 |       | 0.100 |
| N    |      |       | 10.3 |       |       | 0.406 |
| P    | 7.8  |       | 8.05 | 0.307 |       | 0.317 |
| Q    |      |       | 5.08 |       |       | 0.200 |



P053C

**SO14 MECHANICAL DATA**

| DIM. | mm         |      |      | inch  |       |       |
|------|------------|------|------|-------|-------|-------|
|      | MIN.       | TYP. | MAX. | MIN.  | TYP.  | MAX.  |
| A    |            |      | 1.75 |       |       | 0.068 |
| a1   | 0.1        |      | 0.2  | 0.003 |       | 0.007 |
| a2   |            |      | 1.65 |       |       | 0.064 |
| b    | 0.35       |      | 0.46 | 0.013 |       | 0.018 |
| b1   | 0.19       |      | 0.25 | 0.007 |       | 0.010 |
| C    |            | 0.5  |      |       | 0.019 |       |
| c1   | 45° (typ.) |      |      |       |       |       |
| D    | 8.55       |      | 8.75 | 0.336 |       | 0.344 |
| E    | 5.8        |      | 6.2  | 0.228 |       | 0.244 |
| e    |            | 1.27 |      |       | 0.050 |       |
| e3   |            | 7.62 |      |       | 0.300 |       |
| F    | 3.8        |      | 4.0  | 0.149 |       | 0.157 |
| G    | 4.6        |      | 5.3  | 0.181 |       | 0.208 |
| L    | 0.5        |      | 1.27 | 0.019 |       | 0.050 |
| M    |            |      | 0.68 |       |       | 0.026 |
| S    | 8° (max.)  |      |      |       |       |       |

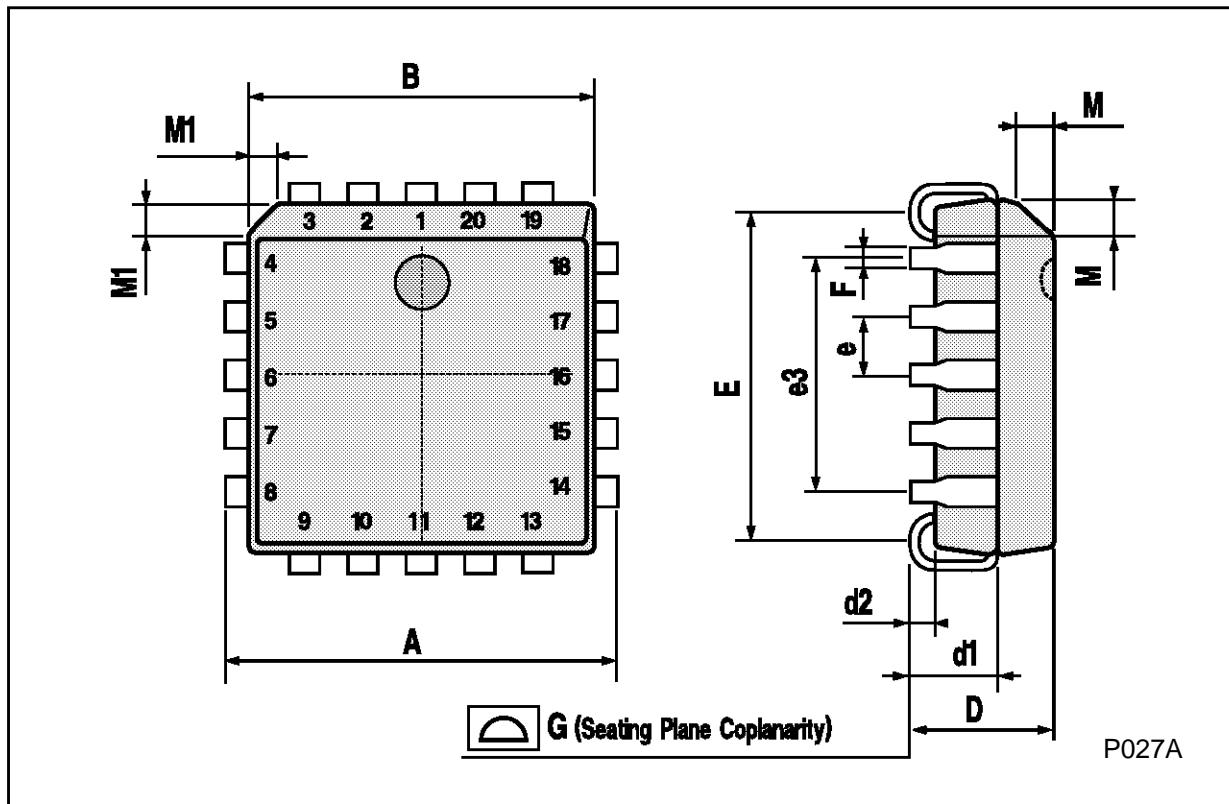


P013G



**PLCC20 MECHANICAL DATA**

| DIM. | mm   |      |       | inch  |       |       |
|------|------|------|-------|-------|-------|-------|
|      | MIN. | TYP. | MAX.  | MIN.  | TYP.  | MAX.  |
| A    | 9.78 |      | 10.03 | 0.385 |       | 0.395 |
| B    | 8.89 |      | 9.04  | 0.350 |       | 0.356 |
| D    | 4.2  |      | 4.57  | 0.165 |       | 0.180 |
| d1   |      | 2.54 |       |       | 0.100 |       |
| d2   |      | 0.56 |       |       | 0.022 |       |
| E    | 7.37 |      | 8.38  | 0.290 |       | 0.330 |
| e    |      | 1.27 |       |       | 0.050 |       |
| e3   |      | 5.08 |       |       | 0.200 |       |
| F    |      | 0.38 |       |       | 0.015 |       |
| G    |      |      | 0.101 |       |       | 0.004 |
| M    |      | 1.27 |       |       | 0.050 |       |
| M1   |      | 1.14 |       |       | 0.045 |       |



P027A

Information furnished is believed to be accurate and reliable. However, SGS-THOMSON Microelectronics assumes no responsibility for the consequences of use of such information nor for any infringement of patents or other rights of third parties which may result from its use. No license is granted by implication or otherwise under any patent or patent rights of SGS-THOMSON Microelectronics. Specifications mentioned in this publication are subject to change without notice. This publication supersedes and replaces all information previously supplied. SGS-THOMSON Microelectronics products are not authorized for use as critical components in life support devices or systems without express written approval of SGS-THOMSON Microelectronics.

© 1994 SGS-THOMSON Microelectronics - All Rights Reserved

SGS-THOMSON Microelectronics GROUP OF COMPANIES

Australia - Brazil - France - Germany - Hong Kong - Italy - Japan - Korea - Malaysia - Malta - Morocco - The Netherlands -  
Singapore - Spain - Sweden - Switzerland - Taiwan - Thailand - United Kingdom - U.S.A