

CD4011B, CD4012B, CD4023B Types

CMOS NAND GATES

High-Voltage Types (20-Volt Rating)

- Quad 2 Input – CD4011B
- Dual 4 Input – CD4012B
- Triple 3 Input – CD4023B

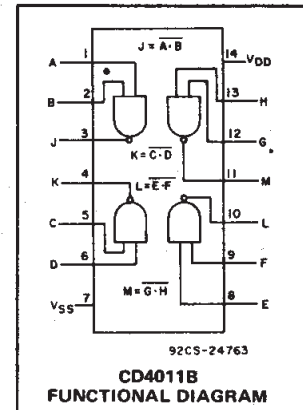
■ CD4011B, CD4012B, and CD4023B NAND gates provide the system designer with direct implementation of the NAND function and supplement the existing family of CMOS gates. All inputs and outputs are buffered.

The CD4011B, CD4012B, and CD4023B types are supplied in 14-lead hermetic dual-in-line ceramic packages (D and F suffixes), 14-lead dual-in-line plastic packages (E suffix), and in chip form (H suffix).

Features:

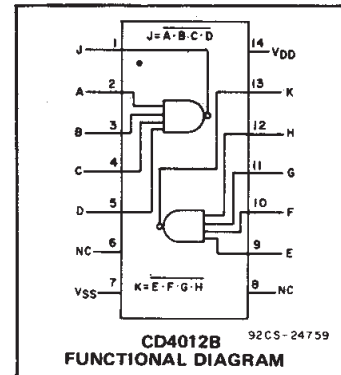
- Propagation delay time = 60 ns (typ.) at $C_L = 50$ pF, $V_{DD} = 10$ V
- Buffered inputs and outputs
- Standardized symmetrical output characteristics
- Maximum input current of $1 \mu\text{A}$ at 18 V over full package temperature range; 100 nA at 18 V and 25°C
- 100% tested for quiescent current at 20 V
- 5-V, 10-V, and 15-V parametric ratings
- Noise margin (over full package temperature range):
 - 1 V at $V_{DD} = 5$ V
 - 2 V at $V_{DD} = 10$ V
 - 2.5 V at $V_{DD} = 15$ V

- Meets all requirements of JEDEC Tentative Standard No. 13B, "Standard Specifications for Description of "B" Series CMOS Devices"



MAXIMUM RATINGS, Absolute-Maximum Values:

| | | |
|--|-------------------------------------|---|
| DC SUPPLY-VOLTAGE RANGE, (V_{DD}) | | |
| Voltages referenced to V_{SS} Terminal | | -0.5V to +20V |
| INPUT VOLTAGE RANGE, ALL INPUTS | | -0.5V to $V_{DD} + 0.5$ V |
| DC INPUT CURRENT, ANY ONE INPUT | | ± 10 mA |
| POWER DISSIPATION PER PACKAGE (P_D): | | |
| For $T_A = -55^\circ\text{C}$ to $+100^\circ\text{C}$ | | 500mW |
| For $T_A = +100^\circ\text{C}$ to $+125^\circ\text{C}$ | Derate Linearly at 12mW/°C to 200mW | |
| DEVICE DISSIPATION PER OUTPUT TRANSISTOR | | |
| FOR $T_A =$ FULL PACKAGE-TEMPERATURE RANGE (All Package Types) | | 100mW |
| OPERATING-TEMPERATURE RANGE (T_A) | | -55°C to $+125^\circ\text{C}$ |
| STORAGE TEMPERATURE RANGE (T_{stg}) | | -65°C to $+150^\circ\text{C}$ |
| LEAD TEMPERATURE (DURING SOLDERING): | | |
| At distance $1/16 \pm 1/32$ inch (1.59 ± 0.79 mm) from case for 10s max | | $+265^\circ\text{C}$ |

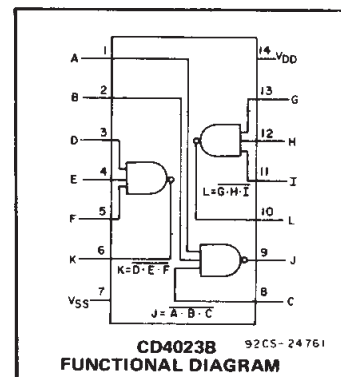
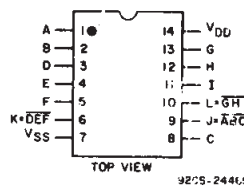
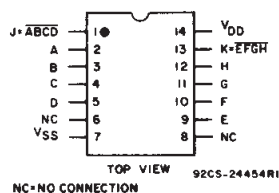
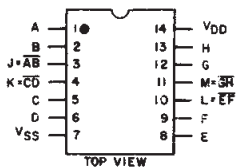


RECOMMENDED OPERATING CONDITIONS

For maximum reliability, nominal operating conditions should be selected so that operation is always within the following ranges:

| CHARACTERISTIC | LIMITS | | UNITS |
|---|--------|------|-------|
| | MIN. | MAX. | |
| Supply-Voltage Range (For $T_A =$ Full Package Temperature Range) | 3 | 18 | V |

TERMINAL ASSIGNMENTS



CD4011B, CD4012B, CD4023B Types

STATIC ELECTRICAL CHARACTERISTICS

| CHARACTERISTIC | CONDITIONS | | | LIMITS AT INDICATED TEMPERATURES (°C) | | | | | | | UNITS |
|--|--------------------|---------------------|---------------------|---------------------------------------|-------|-------|-------|-------|-------------------|------|-------|
| | V _O (V) | V _{IN} (V) | V _{DD} (V) | -55 | | | +25 | | | Max. | |
| | | | | Min. | Typ. | Max. | Min. | Typ. | Max. | | |
| Quiescent Device Current, I _{DD} Max. | - | 0,5 | 5 | 0.25 | 0.25 | 7.5 | 7.5 | - | 0.01 | 0.25 | μA |
| | - | 0,10 | 10 | 0.5 | 0.5 | 15 | 15 | - | 0.01 | 0.5 | |
| | - | 0,15 | 15 | 1 | 1 | 30 | 30 | - | 0.01 | 1 | |
| | - | 0,20 | 20 | 5 | 5 | 150 | 150 | - | 0.02 | 5 | |
| Output Low (Sink) Current I _{OL} Min. | 0.4 | 0,5 | 5 | 0.64 | 0.61 | 0.42 | 0.36 | 0.51 | 1 | - | mA |
| | 0.5 | 0,10 | 10 | 1.6 | 1.5 | 1.1 | 0.9 | 1.3 | 2.6 | - | |
| | 1.5 | 0,15 | 15 | 4.2 | 4 | 2.8 | 2.4 | 3.4 | 6.8 | - | |
| Output High (Source) Current, I _{OH} Min. | 4.6 | 0,5 | 5 | -0.64 | -0.61 | -0.42 | -0.36 | -0.51 | -1 | - | mA |
| | 2.5 | 0,5 | 5 | -2 | -1.8 | -1.3 | -1.15 | -1.6 | -3.2 | - | |
| | 9.5 | 0,10 | 10 | -1.6 | -1.5 | -1.1 | -0.9 | -1.3 | -2.6 | - | |
| | 13.5 | 0,15 | 15 | -4.2 | -4 | -2.8 | -2.4 | -3.4 | -6.8 | - | |
| Output Voltage: Low-Level, V _{OL} Max. | - | 0,5 | 5 | 0.05 | | | 0 | | | 0.05 | V |
| | - | 0,10 | 10 | 0.05 | | | 0 | | | 0.05 | |
| | - | 0,15 | 15 | 0.05 | | | 0 | | | 0.05 | |
| Output Voltage: High-Level, V _{OH} Min. | - | 0,5 | 5 | 4.95 | | | 4.95 | | | 5 | V |
| | - | 0,10 | 10 | 9.95 | | | 9.95 | | | 10 | |
| | - | 0,15 | 15 | 14.95 | | | 14.95 | | | 15 | |
| Input Low Voltage, V _{IL} Max. | 4.5 | - | 5 | 1.5 | | | - | | | 1.5 | V |
| | 9 | - | 10 | 3 | | | - | | | 3 | |
| | 13.5 | - | 15 | 4 | | | - | | | 4 | |
| Input High Voltage, V _{IH} Min. | 0.5, 4.5 | - | 5 | 3.5 | | | 3.5 | | | - | V |
| | 1, 9 | - | 10 | 7 | | | 7 | | | - | |
| Input Current I _{IN} Max. | | 0,18 | 18 | ±0.1 | ±0.1 | ±1 | ±1 | - | ±10 ⁻⁵ | ±0.1 | μA |

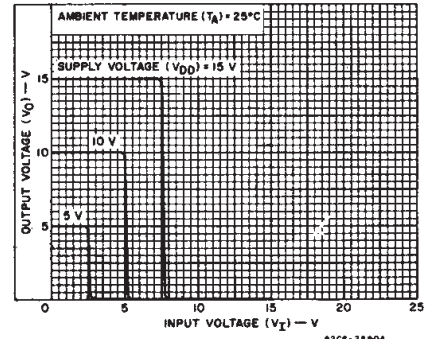


Fig. 1 - Typical voltage transfer characteristics.

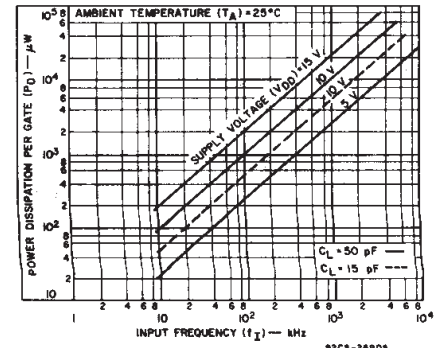


Fig. 2 - Typical power dissipation characteristics.

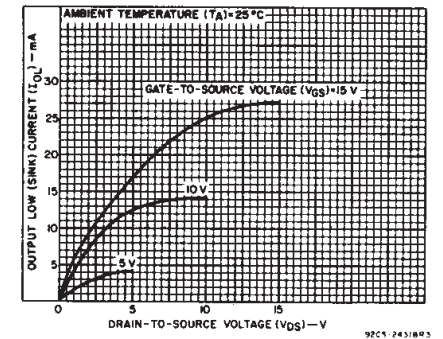


Fig. 3 - Typical output low (sink) current characteristics.

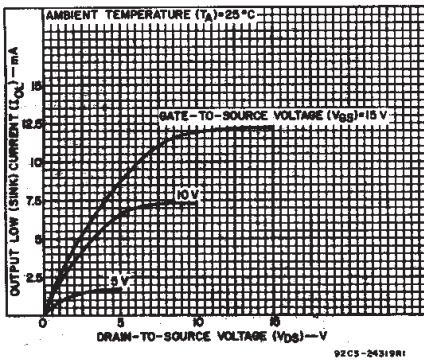


Fig. 4 - Minimum output low (sink) current characteristics.

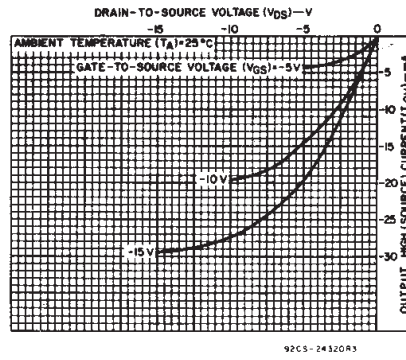


Fig. 5 - Typical output high (source) current characteristics.

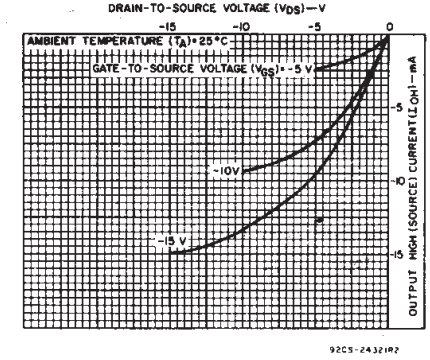
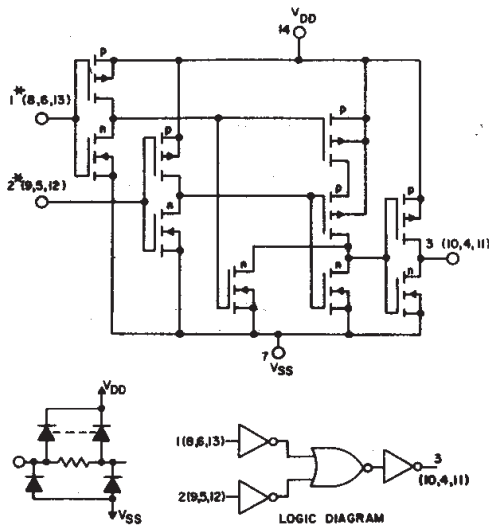


Fig. 6 - Minimum output high (source) current characteristics.

3
COMMERCIAL CMOS
HIGH VOLTAGE ICs

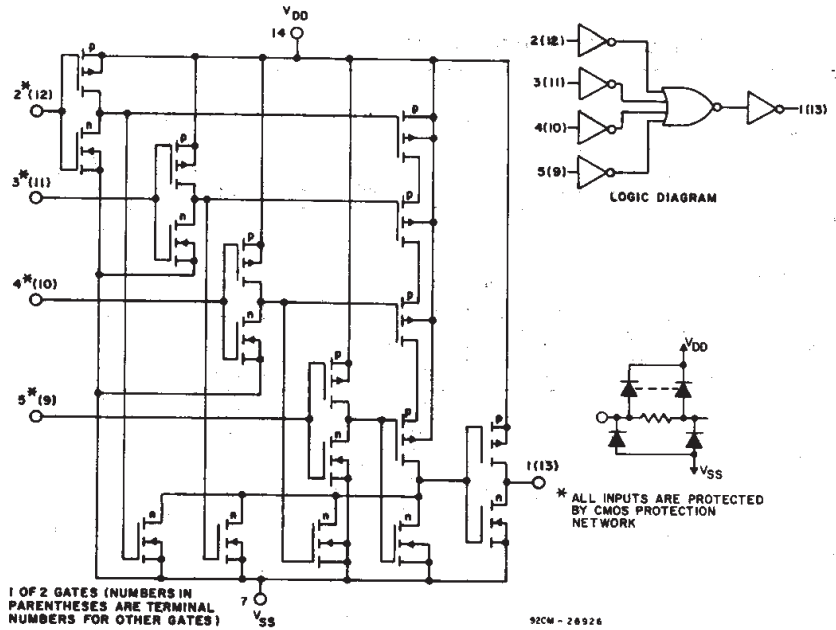
CD4011B, CD4012B, CD4023B Types



* ALL INPUTS ARE PROTECTED BY CMOS PROTECTION NETWORK

1 OF 4 GATES (NUMBERS IN PARENTHESES ARE TERMINAL NUMBERS FOR OTHER GATES)

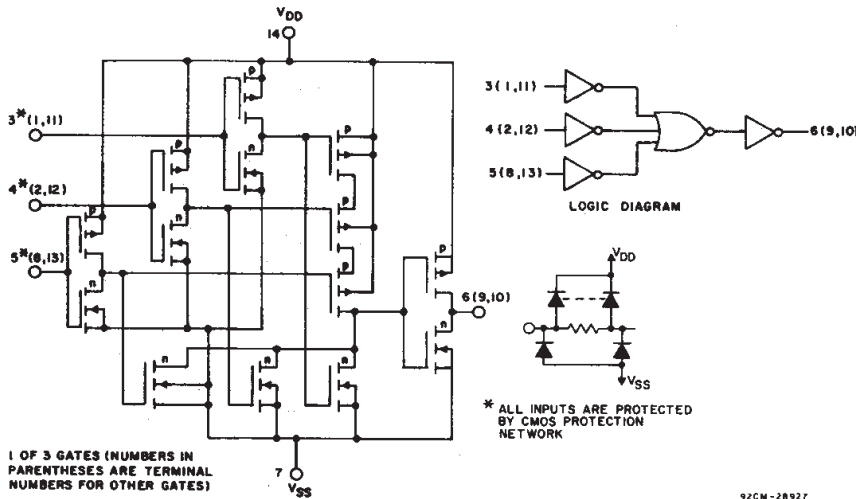
Fig.7 - Schematic and logic diagrams for CD4011B.



1 OF 2 GATES (NUMBERS IN PARENTHESES ARE TERMINAL NUMBERS FOR OTHER GATES)

92CM-28926

Fig.8 - Schematic and logic diagrams for CD4012B.



1 OF 3 GATES (NUMBERS IN PARENTHESES ARE TERMINAL NUMBERS FOR OTHER GATES)

* ALL INPUTS ARE PROTECTED BY CMOS PROTECTION NETWORK

92CM-28927

Fig. 9 - Schematic and logic diagrams for CD4023B.

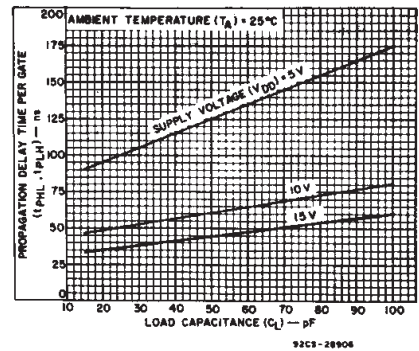


Fig.10 - Typical propagation delay time per gate as a function of load capacitance.

DYNAMIC ELECTRICAL CHARACTERISTICS

At $T_A = 25^\circ\text{C}$; Input $t_r, t_f = 20\text{ ns}$, $C_L = 50\text{ pF}$, $R_L = 200\text{ k}\Omega$

| CHARACTERISTIC | TEST CONDITIONS | LIMITS | | UNITS | |
|--|-----------------|-----------------------|------|-------|------|
| | | V _{DD} VOLTS | TYP. | | MAX. |
| Propagation Delay Time, t_{PHL}, t_{PLH} | | 5 | 125 | 250 | ns |
| | | 10 | 60 | 120 | |
| | | 15 | 45 | 90 | |
| Transition Time, t_{THL}, t_{TLH} | | 5 | 100 | 200 | ns |
| | | 10 | 50 | 100 | |
| | | 15 | 40 | 80 | |
| Input Capacitance, C_{IN} | Any Input | | 5 | 7.5 | pF |

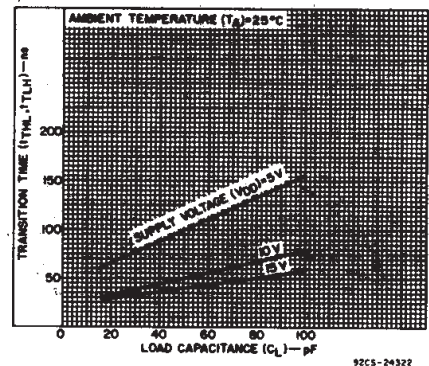


Fig.11 - Typical transition time as a function of load capacitance.

CD4011B, CD4012B, CD4023B Types

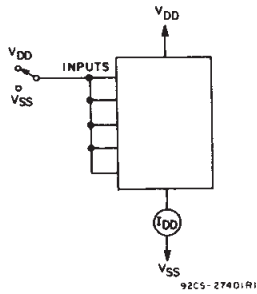


Fig. 12 - Quiescent-device-current test circuit.

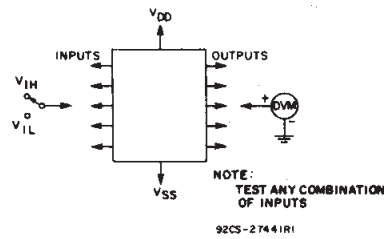


Fig. 13 - Input-voltage test circuit.

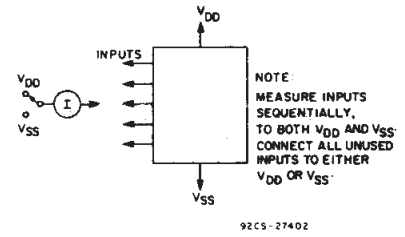
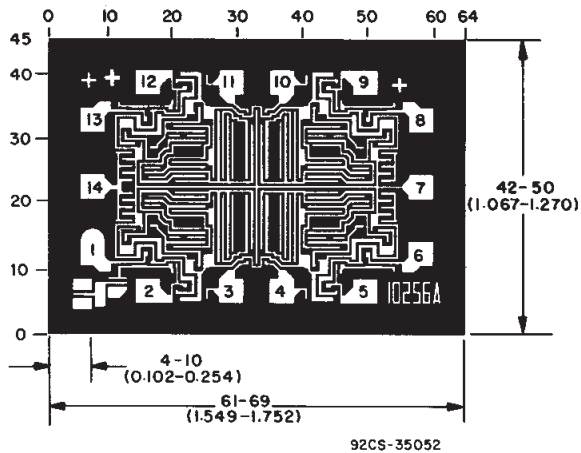
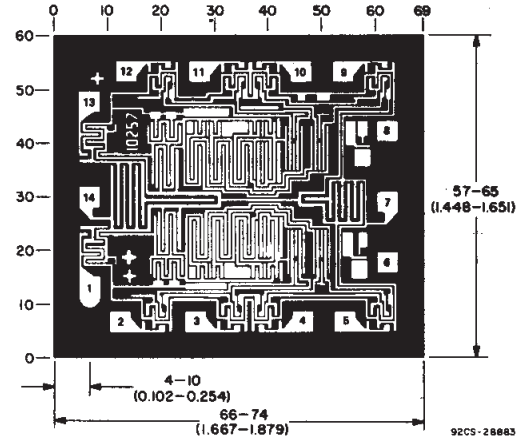


Fig. 14 - Input-current test circuit.

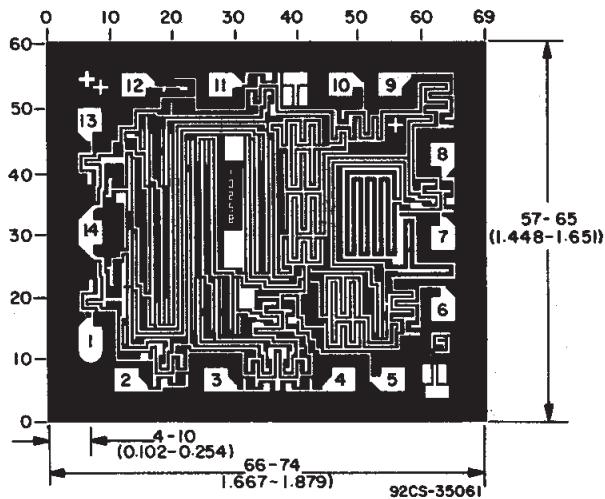
Chip Dimensions and Pad Layouts



CD4011BH



CD4012BH



CD4023BH

Dimensions in parentheses are in millimeters and are derived from the basic inch dimensions as indicated. Grid graduations are in mils (10^{-3} inch).

3
COMMERCIAL CMOS
HIGH VOLTAGE ICs

IMPORTANT NOTICE

Texas Instruments and its subsidiaries (TI) reserve the right to make changes to their products or to discontinue any product or service without notice, and advise customers to obtain the latest version of relevant information to verify, before placing orders, that information being relied on is current and complete. All products are sold subject to the terms and conditions of sale supplied at the time of order acknowledgement, including those pertaining to warranty, patent infringement, and limitation of liability.

TI warrants performance of its semiconductor products to the specifications applicable at the time of sale in accordance with TI's standard warranty. Testing and other quality control techniques are utilized to the extent TI deems necessary to support this warranty. Specific testing of all parameters of each device is not necessarily performed, except those mandated by government requirements.

CERTAIN APPLICATIONS USING SEMICONDUCTOR PRODUCTS MAY INVOLVE POTENTIAL RISKS OF DEATH, PERSONAL INJURY, OR SEVERE PROPERTY OR ENVIRONMENTAL DAMAGE ("CRITICAL APPLICATIONS"). TI SEMICONDUCTOR PRODUCTS ARE NOT DESIGNED, AUTHORIZED, OR WARRANTED TO BE SUITABLE FOR USE IN LIFE-SUPPORT DEVICES OR SYSTEMS OR OTHER CRITICAL APPLICATIONS. INCLUSION OF TI PRODUCTS IN SUCH APPLICATIONS IS UNDERSTOOD TO BE FULLY AT THE CUSTOMER'S RISK.

In order to minimize risks associated with the customer's applications, adequate design and operating safeguards must be provided by the customer to minimize inherent or procedural hazards.

TI assumes no liability for applications assistance or customer product design. TI does not warrant or represent that any license, either express or implied, is granted under any patent right, copyright, mask work right, or other intellectual property right of TI covering or relating to any combination, machine, or process in which such semiconductor products or services might be or are used. TI's publication of information regarding any third party's products or services does not constitute TI's approval, warranty or endorsement thereof.