

DALLAS SEMICONDUCTOR

DS9092R iButton™ Port

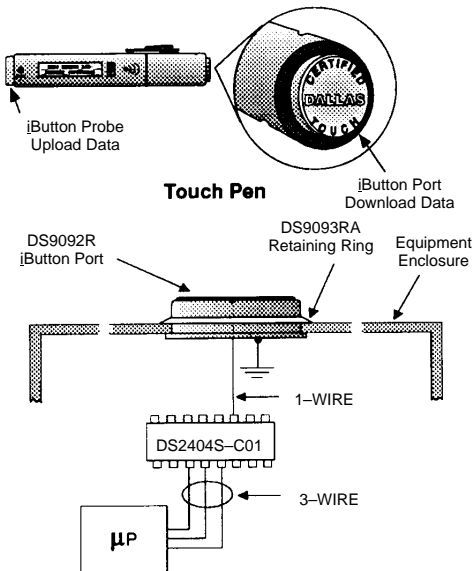
FEATURES

- Empty stainless steel F5 MicroCan with opening in rear and solder tabs.
- Acts as a touch contact for remotely located 1-Wire™ devices
- Together with DS2404S-C01 makes complex functions involving microcontrollers behave as if they were iButtons.
- Available with "CERTIFIED DALLAS TOUCH" logo

DESCRIPTION

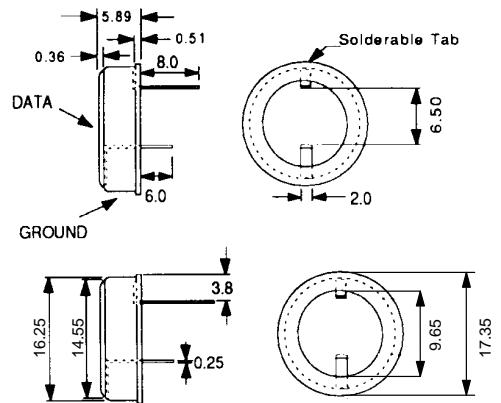
The DS9092R iButton Port provides the electrical contact necessary for mating remotely located iButtons or other 1-Wire MicroLAN devices with reader/writers. The DS9092R is also available with logo.

APPLICATIONS



Equipment fitted with 1-Wire button contact.

PACKAGE OUTLINE



LOGO WITH
DS9092RC
ONLY



LOGO

All dimensions are shown in millimeters.

CONTACTS

Rim
Inner Face
Ground
Data

ORDERING INFORMATION

DS9092R Tabbed F5 MicroCan
DS9092RC Tabbed F5 MicroCan with logo