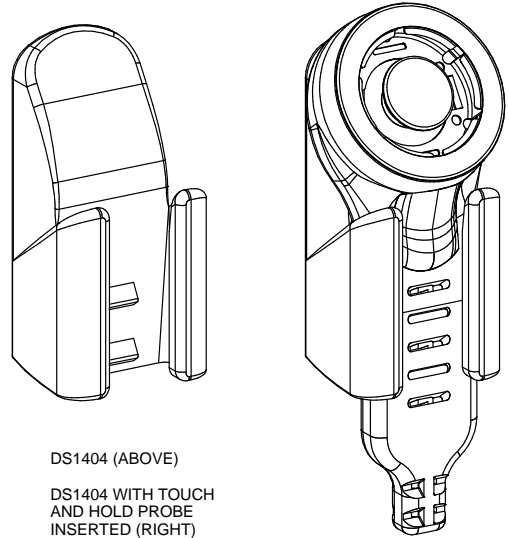


#### FEATURES

- Precision molded black plastic holder that mounts using double-sided adhesive tape
- Holds the Touch And Hold Probe end of the DS1402RP or DS1402BP
- Probe can be inserted loosely for temporary holding or firmly for probing
- Allows a palmtop or handheld computer to be used as handy iButton™ reader/writer



DS1404 (ABOVE)

DS1404 WITH TOUCH  
AND HOLD PROBE  
INSERTED (RIGHT)

(BOTH PICTURES ARE APPROXIMATELY ACTUAL SIZE)

#### ORDERING INFORMATION

DS1404 includes adhesive tape

#### DESCRIPTION

With handheld equipment functioning as iButton reader/writer one often faces the problem of finding a place for the probe when it is not use. The DS1404 Touch and Hold Probe Cable Cradle solves this problem. In addition to that, it converts the handheld equipment into a compact single-unit reader/writer for iButtons if the probe is firmly inserted into the cradle.

The DS1404 comes with double-side adhesive tape. For best results, clean and dry the surface of the object where the DS1404 is to be mounted.