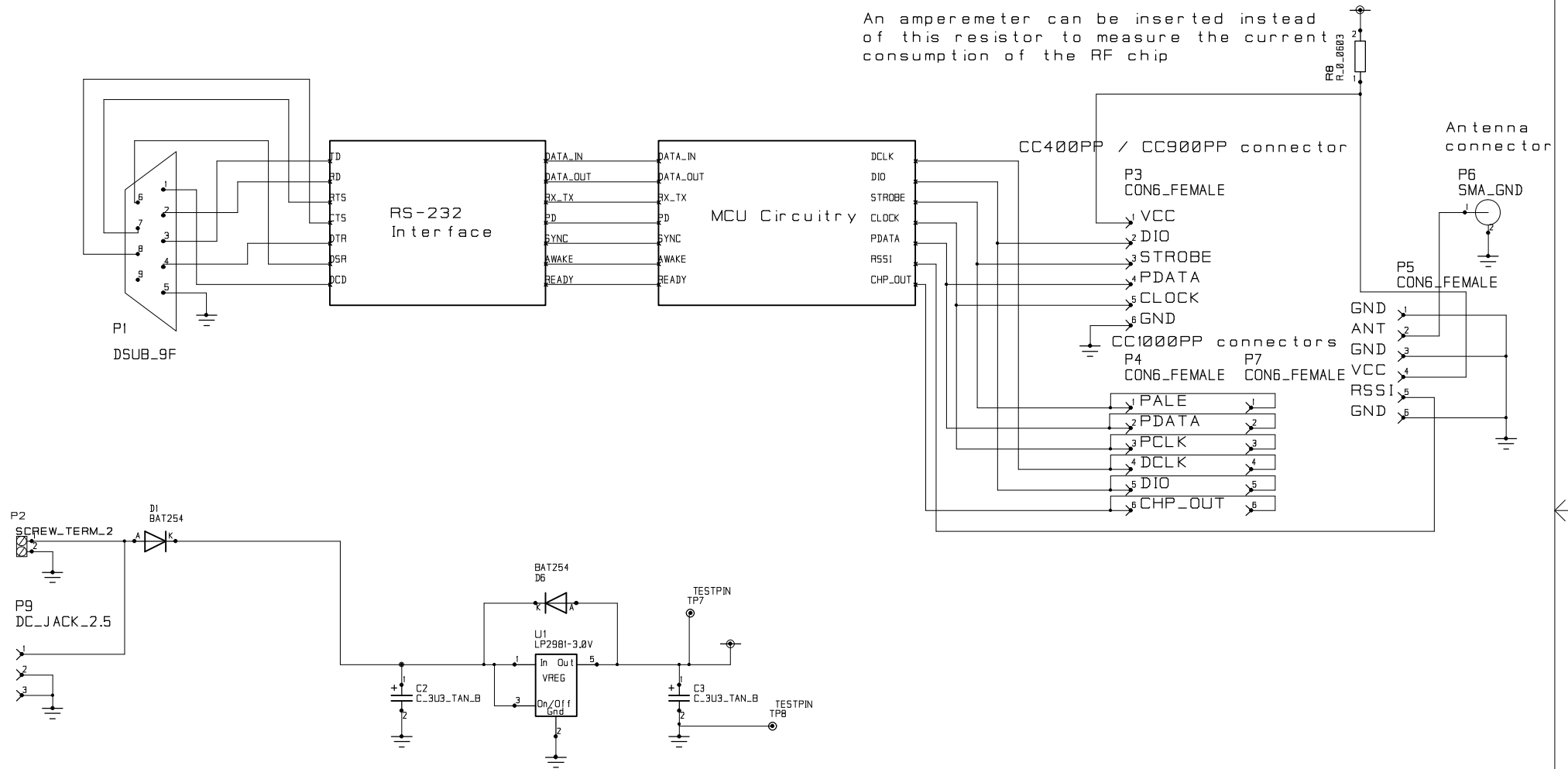
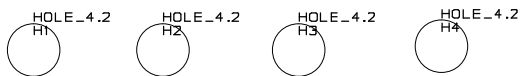


An amperemeter can be inserted instead of this resistor to measure the current consumption of the RF chip



Supply requirements :
 minimum = $2 \times 0.8V + 0.4V + 3V = 5V$
 maximum = 16V



CONTRACT NO. 02522		COMPANY NAME CHIPCON AS		
APPROVALS	DATE	DWG CC400 RF Modem		
DRAWN KHT		SIZE A3	FSCM NO.	DWG NO.
CHECKED				REV. 1.2
ISSUED		SCALE		SHEET 1(3)